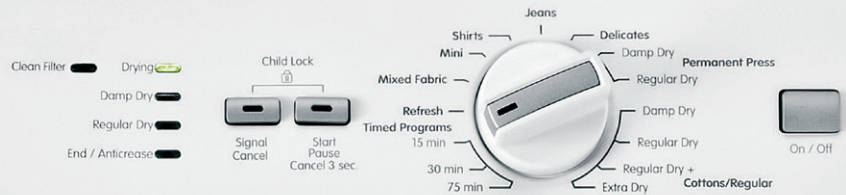


DV 17542

Blomberg



GENERAL PROPERTIES

Dryer type	Electric Air-Vented
Capacity	cu. ft. 3,7
Dry load capacity	kg 7,0
	lbs 15,5
Drum material	Stainless steel
Control	LED display w/ rotary knob
Silence level dBA	66
Automatic water drain	-
Reduce static cling	-
Delay time	-

CYCLES

Number of cycles	15
Normal / Cottons regular	✓
Permanent press	✓
Mixed fabric	✓
Delicates	✓
Bulky	-
Air Fluff / No heat	-
Wool	-
Jeans	✓
Baby Sanitize	-
Silent program	-
Jogging wear	-
Quick Dry 30'	-
Timed Dry	15-30-75min

CONVENIENCE FEATURES

End of cycle buzzer	✓
Child lock	✓
Automatic easy Ironing	✓
Interior drum LED lighting	-
Glass door with heat protection	✓
Reversible glass door	-
Program follower	✓
Leveling legs	2
Clean filter indicator	✓
Number of vent options	1

MATERIALS AND FINISHES

Cabinet	White
Door rim	White
Cycle selector knob	Silver

DIMENSIONS

Product dimensions (HxWxD)	in	33 1/4 x 23 3/8 x 20 7/8
	cm	85 x 60 x 54
Packed dimensions (HxWxD)	in	35 1/2 x 26 1/2 x 23 3/8
	cm	90,5 x 67,5 x 59,5
Product weight	kg	35,5
	lbs	79
Packed weight	kg	40
	lbs	89

TECHNICAL FEATURES

Rated current amps	A	15
Voltage / Frequency	V / Hz	208 - 240 / 60
Watts	W	2000

STANDARDS

Energy Star® qualified	-
Energy consumption, kWh/year	379
UL listed	✓
RoHS* compliant	✓

STACKING KITS

Kit-1 (Universal Stacking Kit): Can be mounted with all clothes washers of any depth	2977200300
Kit-2: Can be mounted with all clothes washers with 50-54-60 cm depth	2967100100

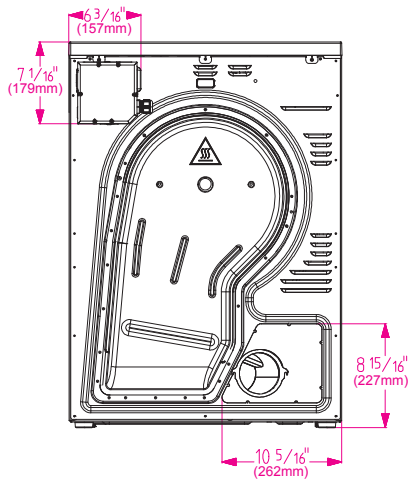
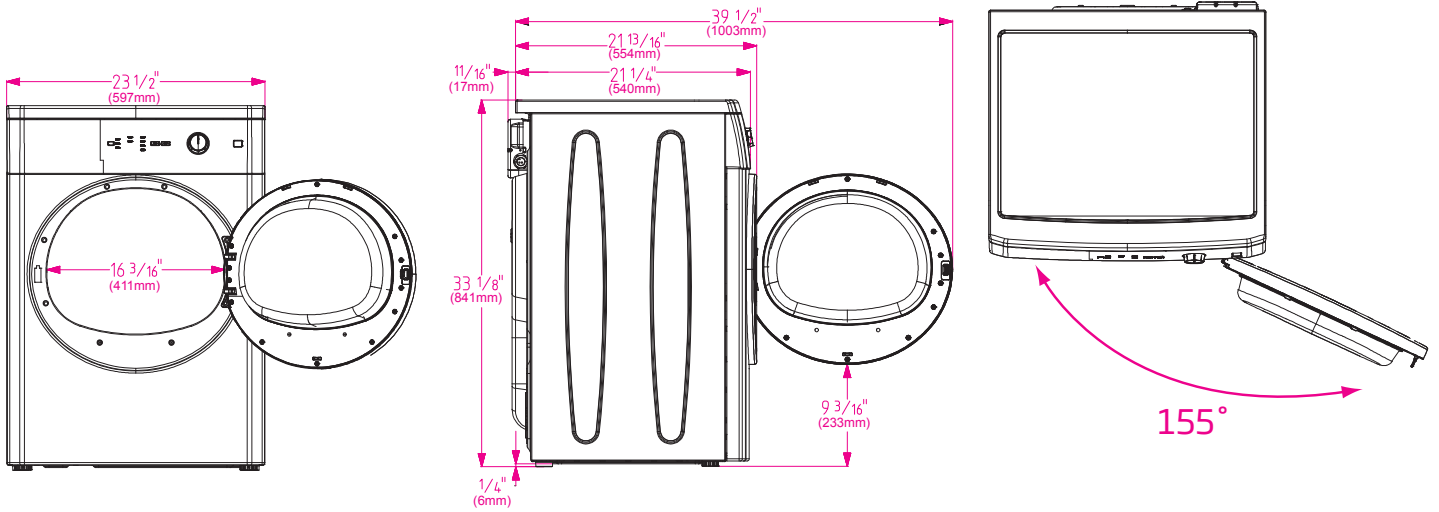
KEY FEATURES & BENEFITS

- No damp laundry with OptiSense™ sensor drying technology
- Auto AntiCreasing cycle
- Compact 24" design, designed for small-space living
- Multiple dry cycles

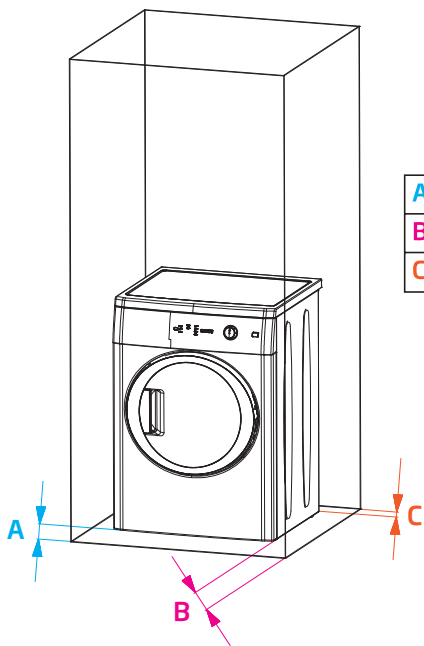
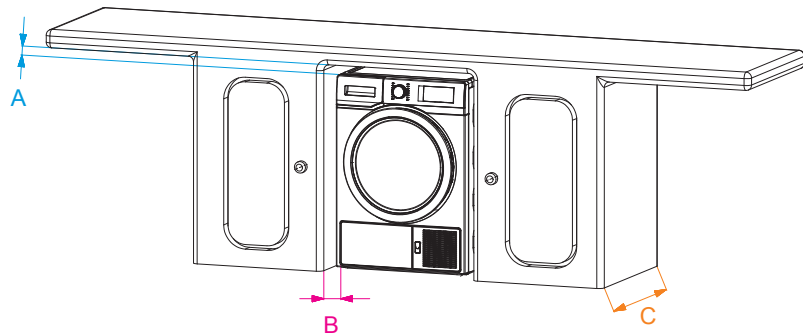
Blomberg®

seit 1883

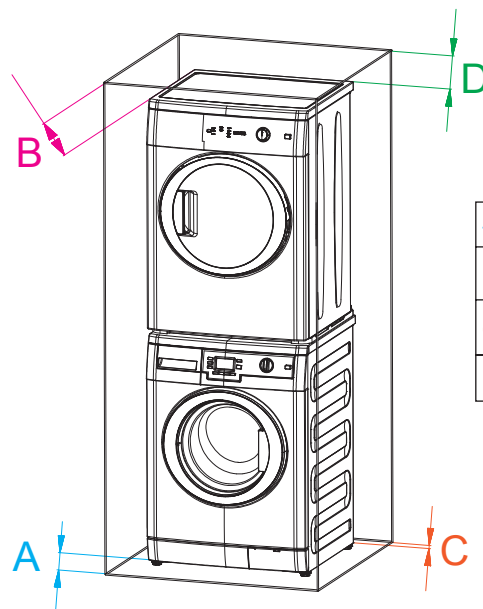
DV 17542



A Top	1/2" min.	13 mm
B Both sides	1/2" min.	13 mm
C Counter depth	27" min.	686 mm



A Front	1/2 in.
B Both sides	1/2 in.
C Rear	1/2 in.



A Front	1/2 in. (13mm)
B Both sides	1/2 in. (13mm)
C Rear	1/2 in. (13mm)
D Top	6 ³ / ₄ in. (159mm)

DV 17542

