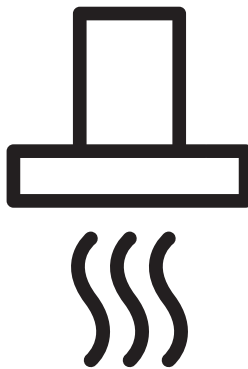




Cooker Hood

User Manual



HCA62640BE

EN - AR



01M-8809143200-2223-17

CONTENTS

ENGLISH

3-17

Please read this user manual first!

Dear Valued Customer,

Thank you for preferring this Beko appliance. We hope that you get the best results from your appliance which has been manufactured with high quality and state-of-the-art technology. For this reason, please read this entire user manual and all other accompanying documents carefully before using the appliance and keep it as a reference for future use. If you handover the appliance to someone else, give the user manual as well. Follow the instructions by paying attention to all the information and warnings in the user manual.

Remember that this user manual may also apply to other models. Differences between models are explicitly described in the manual.

Meanings of the Symbols

Following symbols are used in various sections of this user manual:



Important information and useful hints about usage.



WARNING: Warnings against dangerous situations concerning the security of life and property.



WARNING: Warning for danger of fire.



WARNING: Warning for electric shock.

1 Important safety and environmental instructions

1.1 General Safety

Important Safety Instructions
Read Carefully And Keep For Future Reference
This section contains safety instructions that will help protect from risk of fire, electric shock, exposure to leak microwave energy, personal injury or property damage. Failure to follow these instructions shall void any warranty.

- Beko products comply with the applicable safety standards; therefore, in case of any damage on the appliance or power cable, it should be repaired or replaced by the dealer, service center or a specialist and authorized service alike to avoid any danger. Faulty or unqualified repair work may be dangerous and cause risk to the user.
- This appliance is intended to be used in household and similar applications such as:
 - Staff kitchen areas in shops, offices and other working environments;
 - Farm houses
 - By clients in hotels, and other residential type environments;
 - Bed and Breakfast type environments.
- Operate the appliance for its intended purpose only as described in this manual.
- The manufacturer cannot be held liable for damages resulting from improper installation or misuse of the product.
- This appliance can be used by children aged from 8 years and above and persons with reduced physical, sensory or mental capabilities or lack of experience and knowledge if they have been given supervision or instruction concerning use of the appliance in a safe way and understand the hazards involved.
- Children shall not be allowed play with the appliance. Cleaning and user maintenance shall not be made by children without supervision.
- The minimum distance between the supporting surface for the cooking vessels on the hob and the lowest part of your product

1 Important safety and environmental instructions

must be at least 50 cm.

- If the instructions for installation for the gas hob specify a greater distance, this has to be taken into account.
- Make sure that your mains power supply complies with the information supplied on the rating plate of the appliance.
- Never use the appliance if the power cable or the appliance itself is damaged.
- Prevent damage to the power cable by not squeezing, bending, or rubbing it on sharp edges. Keep the power cable away from hot surfaces and naked flame.
- Use the appliance with a grounded outlet only.

WARNING: Do not connect the appliance to the mains until the installation is fully complete.

- Place the appliance in a way so that the plug is always accessible.
- Do not touch the lamps if they have operated for a long time. They can burn your hands since they will be hot.
- Follow the regulations set out by

competent authorities on discharge of the exhaust air (this warning is not applicable for use without flue).

- Operate your appliance after putting a pot, pan etc. on the hob. Otherwise, high heat may cause deformation in some parts of your product.
- Turn off the hob before taking the pot, pan etc. from it.
- Do not leave hot oil on the hob. Pans with hot oil may cause self combustion.
- Pay attention to your curtains and covers since oil may catch fire while cooking food such as fries.
- Grease filter must be cleaned at least monthly. Carbon filter must be replaced at least every 3 months.
- Product shall be cleaned accordance with user manual. If cleaning was not carried out in accordance with user manual, there may be fire risk.
- Do not use non-fire-resistant filtering materials instead of the current filter.

1 Important safety and environmental instructions

- Only use the original parts or parts recommended by the manufacturer.
 - Do not operate the product without the filter and do not remove the filters while the product is running.
 - In the event of be started any flame, de-energize your product and cooking appliances.
 - In the event of be started any flame, cover the flame and never use water to extinguish.
 - Unplug the appliance before each cleaning and when the appliance is not in use.
 - The negative pressure in the environment should not exceed 4 Pa (4x10 bar) while the hood for electric hob and appliances running on another type of energy but electricity operate simultaneously.
 - In the environment where the appliance is being used, the exhaust of devices running on fuel oil or gas, such as room heater must be absolutely isolated or device must be hermetical type.
 - When connecting the flue, use pipes with a diameter of 120 or 150 mm. Pipe connection must be as short as possible and have as few elbows as possible.
- Danger of choking!** Keep all the packaging materials away from children.
- CAUTION:** Accessible parts may become hot when used with cooking appliances.
- The product outlet must not be connected to air channels that include other smoke.
 - The ventilation in the room may be insufficient when the hood for electric hob is used simultaneously with the devices operating on gas or other fuels (this may not apply to appliances that only discharge the air back into the room).
 - Objects placed on the product may fall. Do not place any objects on the product.
 - Do not flambe under the your product.
- WARNING:** Before installing the Hood, remove the protective films.
- Never leave high naked flames under the hood when it is in operation

1 Important safety and environmental instructions

- Deep fat fryers must be continuously monitored during use: overheated oil can burst into flames.
- domestic or other wastes. Take them to the packaging material collection points designated by the local authorities.

1.2 Compliance with the WEEE Directive and Disposing of the Waste Product:

This product complies with EU WEEE Directive (2012/19/EU). This product bears a classification symbol for waste electrical and electronic equipment (WEEE).



This symbol indicates that this product shall not be disposed with other household wastes at the end of its service life. Used device must be returned to official collection point for recycling of electrical and electronic devices. To find these collection systems please contact to your local authorities or retailer where the product was purchased. Each household performs important role in recovering and recycling of old appliance. Appropriate disposal of used appliance helps prevent potential negative consequences for the environment and human health.

1.3 Compliance with RoHS Directive

The product you have purchased complies with EU RoHS Directive (2011/65/EU). It does not contain harmful and prohibited materials specified in the Directive.

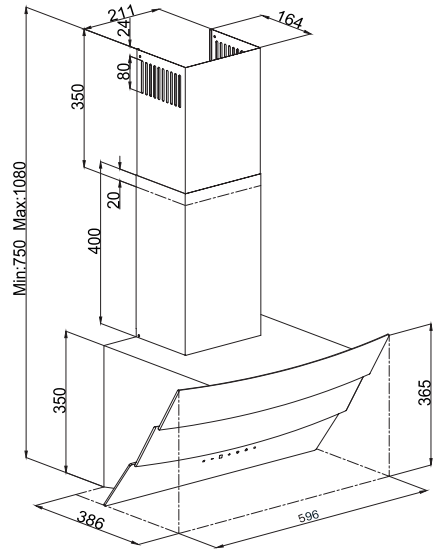
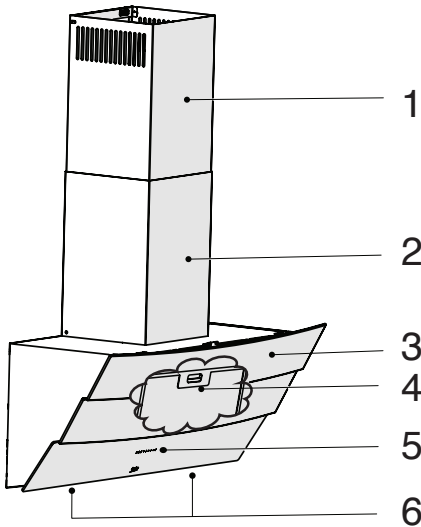
1.4 Package Information



Packaging materials of the product are manufactured from recyclable materials in accordance with our National Environment Regulations. Do not dispose of the packaging materials together with the

2 General appearance

2.1 Overview



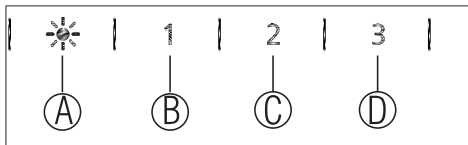
1. Inner chimney
2. Outer chimney
3. Glass cover
4. Grease filter (Behind Glass Cover)
5. Control panel
6. Lighting

2.2 Technical data

Model	HCA62640BE
Supply voltage & frequency	220-240V ~ 50 Hz
Lamp power	2x3 W
Motor power	210 W
Flow rate – 3. Level	582 m ³ /h
Insulation class of motor	Class F
Insulation class	Class I

3 Operation of the appliance

3.1 Controlling the appliance

	
KEY	FUNCTION
A : Light On / Off	You may illuminate the cooking area by pressing this button. Re-press the button to turn off the lamp.
B : 1. Stage Button	Operates the appliance on 1st speed. When you press this button again to turn off the appliance, the screen speed stage turns off.
C : 2. Stage Button	Operates the appliance on 2nd speed. When you press this button again to turn off the appliance, the screen speed stage turns off.
D : 3. Stage Button	Operates the appliance on 3rd speed. When you press this button again to turn off the appliance, the screen speed stage turns off.

3.2 Efficient use in terms of energy saving

- When using your appliance, adjust the speed settings according to vapour and odour intensity, in order to save energy.
- Use low speeds (1-2) under normal conditions, and high speed (3) for intense odour and vapour.
- The lamps on the hood are placed for illuminating the cooking area.
- Using them for environmental lighting shall cause unnecessary energy expenditure and insufficient lighting.

3.3 Operation of the hood

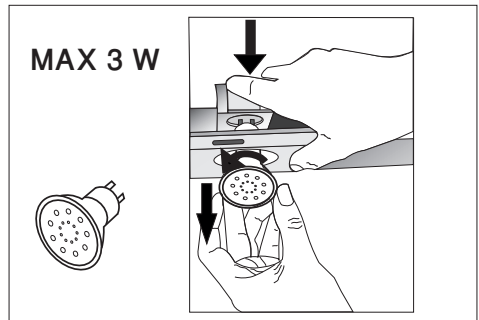
- Your appliance contains a motor that has various speeds.
- For better performance, we recommend using low speeds under normal conditions and high speeds in cases of strong odours and intense vapour.

- You can start your appliance by pressing on the desired speed setting button. (B,C,D)
- You can illuminate the cooking area by pressing the lamp. (A)

3.4 Automatic stop


Your appliance has Automatic Stop feature, enabling it to ventilate for a bit more and remove the unwanted odours and vapour inside the environment and turn off automatically after the cooking is done. To enable Automatic Stop feature, press the any speed stage button (B, C, D) on the control panel for longer than 2 seconds; the 15-minute timer function shall be activated. When the automatic stop feature is active, pressing the same speed button shall disable the automatic stop function and the appliance's motor shall stop. This feature is disabled when you switch between different speed stages. If you want the appliance to stop automatically, you need to enable the automatic stop feature again.

3.5 Replacement of lamp



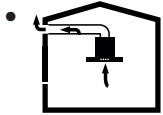
Make the electrical connections of the appliance. Your appliance uses 3W spot LED lamp. For replacing the lamps, push downwards on the holder from its behind, turn it counter-clockwise, and take it out downwards. Apply the above operation in reverse to install new lamps.

3 Operation of the appliance

Bulb	
Bulb power	3 W
Holder / Socket	GZ 10
Bulb voltage	220 - 240 V
Size	53x50 mm
ILCOS Code	DR/F3-220-240-GZ10-50-53
Luminous flux	260 lm
Correlated colour temperature	3000 K

This product contains a light source of energy efficiency class “F”.

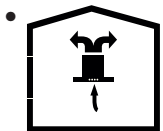
3.6 Operation with flue connection



Vapour is extracted through the flue duct, which is fastened to the connection head on the hood.

- The diameter of the flue duct must be the same as the connection ring. In horizontal settings, the pipe has to have a slight upward slope (around 10°) so that the air can exit the room easily.

3.7 Operation without flue connection



Air is filtered through the carbon filter and recirculated in the room. Carbon filter is used when it is impossible to use a flue in the house.

- In flueless use, remove the flaps inside the flue adapter.
- Remove the grease filter. To install the carbon filter, fit the filter to the tabs by centring it on the plastic piece on both sides of the fan body. Tighten it by turning right or left.
- Replace grease filter.

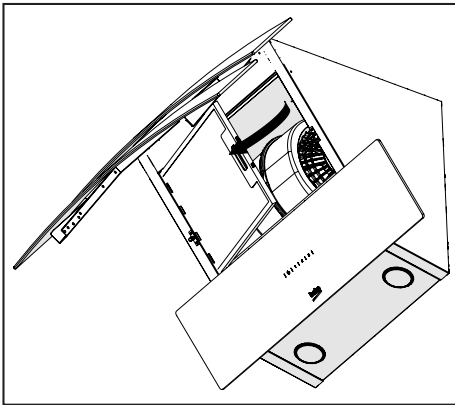
4 Cleaning and maintenance



Before cleaning and maintenance, unplug the product or turn off the switch.

4.1 Cleaning of the grease filter

Grease filter retains the oil particles in the air. Grease filters may change colour after repeated cleaning. This is normal and does not require replacement of filters.



- Push the grease filter lock forward.
- Then pull it slightly down and pull it out. Otherwise, you can bend the filter. Wash and rinse grease filters with liquid detergent and replace grease filters to their sockets by carrying out the steps specified above in reverse order. This filter retains the oil particles in the air.



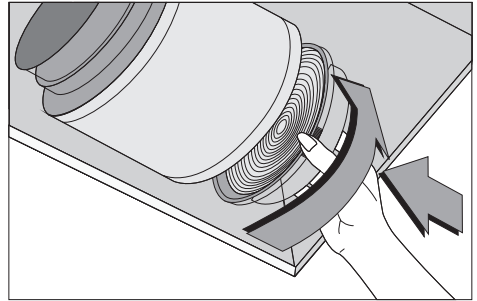
You may wash your grease filters in the dishwasher.



CAUTION: In case of normal use, clean your filter once in a month.

4.2 Replacement of carbon filters

Odour removing filters contain charcoal (Active carbon). Grease filters must be installed in the product, regardless of whether or not carbon filters are used.



- Remove the grease filter.
- To remove the carbon filter, remove the carbon filter from its housing by rotating it counter-clockwise from the tab.
- Install the new carbon filter.
- Install the grease filter.

CAUTION



- Carbon filter shall never be washed.
- Replace carbon filters once every 3 months.
- You can obtain the carbon filter from the authorized services.

5 Installation of appliance



WARNING: Before starting the installation, read the safety information on User Manual.

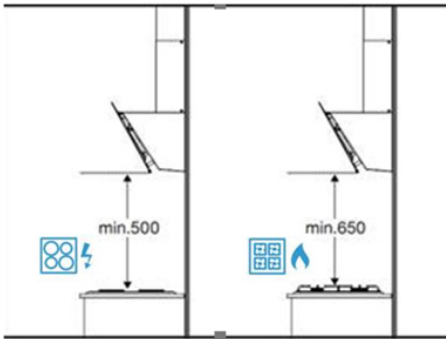


WARNING: Failure to install with screws and stabilizers in accordance with these instructions may result in electric shock.

For the installation of the hood, please contact the nearest Authorized Service.

It is the customer's responsibility to prepare the location and electrical installation of the hood.

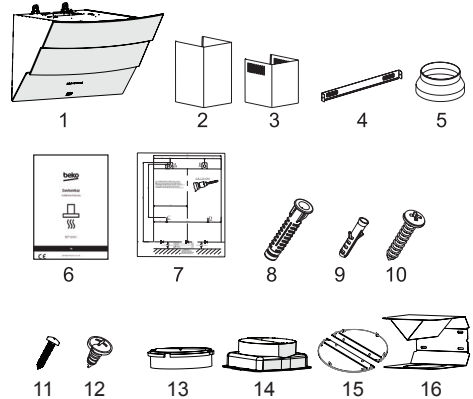
5.1 Position of the appliance



(Figure 1)

- In all cooker hood types, the installation distance on Gas hob and Electric hob is min 650 mm. For **inclined cooker hoods** only, the installation distance on the **electric hob** is min 500 mm.
- Distance must be measured from the surface of grate for gas cookers, from surface of glass for electric cookers.

5.2 Installation accessories



1. Product
2. Outer Flue
3. Inner Flue
4. Flue Connection Plate
5. Ø150/120mm Flue Adapter
6. User Manual
7. Assembly Pattern
8. 4x Ø8mm Plastic Dowel
9. 6x Ø6mm Plastic Dowel
10. 4x 4.8x50 Wall Mount Screw
11. 6x 3.9x22 Flue Connection Plate Screw
12. 4x 3.5x9.5 Flue Connection Screw
13. Ø120mm Flue Adapter
14. Ø150mm Plastic Flue Adapter (Option)
15. Metal Chimney Clamp
16. Air Baffle

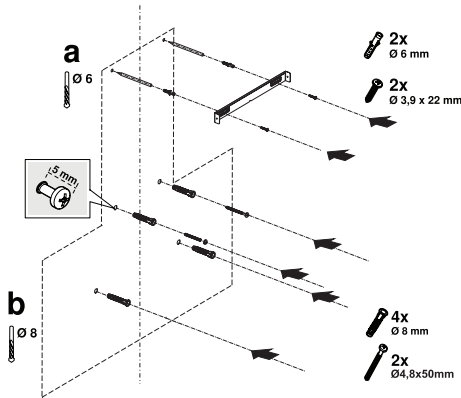
The information required to make the location suitable for the installation of the hood is given below.

5.3 Wall mounting

- Wall must be flat, straight and have the sufficient bearing capacity.

5 Installation of appliance

- Depth of drilling holes must comply with the length of bolts.
- The bolts and dowels provided are suitable for brick walls. For other construction material (e.g. drywall, plate, porous concrete), suitable fixing dowels and nuts shall be used.



(Figure 2)



CAUTION: Before drilling, ensure that there are no power, gas or water pipes in the close proximity of the drilling locations.

Draw a mid location line from the ceiling perpendicular to the lower edge of the hood.

Paste the installing template provided within the accessories on the surface where the hood is to be mounted. In doing this operation, observe the mounting height of the hood (Figure 1).

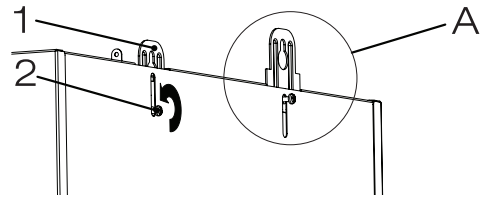
There is a tab in the middle of the flue connection plate. Place the middle point of this tab on the line that is drawn perpendicular to the wall. In doing this operation, adjust the hood according to the maximum height. Mark the holes where the flue connection plate will be mounted with the help of a pen (Figure 2/a).

Drill the marked points with Ø6mm drill and insert 2 plastic dowels in the drilled holes (Figure 2/a).

Fix the flue connection plate to the wall with 3,9x22 screws (Figure 2/a).

To assemble the hood body, you can use the Ø8mm drill bit to drill points A, B, C, D on the assembly template, and insert 4.8x50mm plastic dowels at these points. (Figure 2/b).

2 piece 4.8x50 suspension screw with a clearance of 5 mm between the screw head and the wall (Figure 2/b).



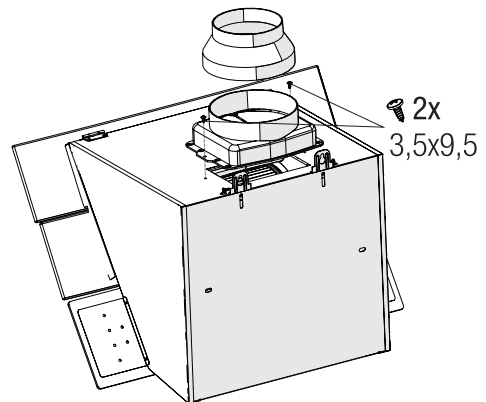
(Figure 3)

1. Hanger plate

2. Hanging plate connection screw

In order to install your hood to the wall, loosen the screws on the hanger plates mounted on the motor cabin and pull them up, and then fasten again (Figure 3/A).

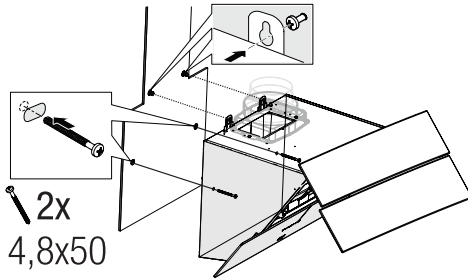
Turn on the suction glass of the hood and remove the grease filter.



(Figure 4)

5 Installation of appliance

Attach the 150mm plastic chimney adapter included in the package to the product body with 3.5x9.5 blunt-ended screws. If the air outlet is to be connected to the air discharge duct smaller than 150mm, install the 150 / 120mm plastic flue adapter (Figure 4).

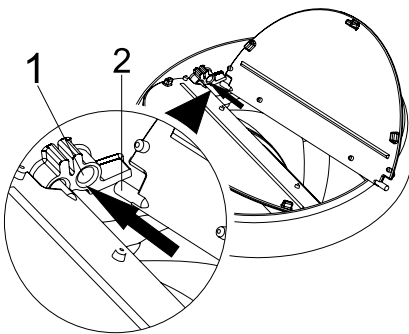


(Figure 5)

Hold the cooker hood by its body and place it on the mounting screws on the wall and tighten the screws (Figure 5).

Secure the cooker hood with two 4.8x50 screws to the wall through the mounting hole on the interior of the appliance (Figure 5).

5.4 Connecting to flue



(Figure 6)

1. Flap pin socket
2. Flap pin

Insert the plastic pin (Figure 6/area no. 2) on the pin socket on the motor exhaust (Figure 6/area no.1). Then bend the flap lightly to insert the other pin on the flap and insert the other pin to its socket (Figure 6).

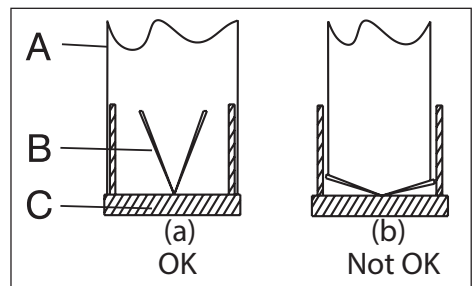
If you are going to use the \varnothing 120/150 mm plastic flue adapter, connect one end of the pipe to this adapter, if you are not going to use it, to the direct output on the product. Connect the other end of the pipe to your flue. Check that these two connections are tight enough so they will not come out when the appliance runs on full power. Ensure that the flaps inside the flue work when tightened with clamp. Connect the flue connection duct outside the adapter (Figure 7/a). If the connection duct is fitted inside the adapter, suction of air shall not occur as the flue flap that prevents the return of air will remain closed (Figure 7/b). The length of the pipe connection as well as the number of elbows must be as minimum as possible.

A : Flue exit pipe

B : Flue clamps

C: Plastic flue

The valves are closed then the appliance is not operating and prevent possible outside odour and dust from entering inside.



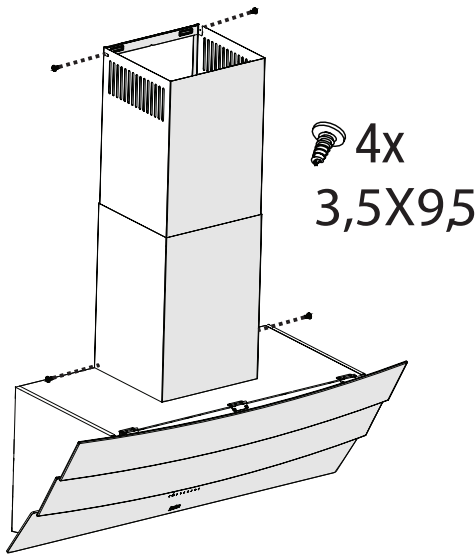
(Figure 7)

5 Installation of appliance

5.5 Installation of the hood to the flue

Make the electrical connection of your hood before starting the installation of the flue. Slip the flue plates around the body. Screw the flue to the flue fastening plates available on the motor cabin. (Figure 8).

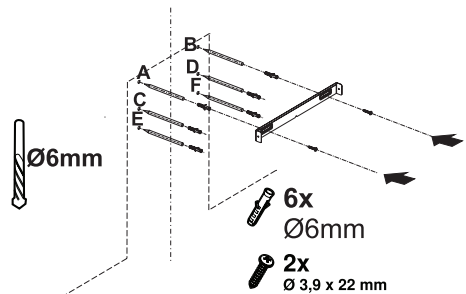
Install the flue to the flue fastening plate that is secured to the wall from its upper outer edges (Figure 8).



(Figure 8)

5.6 Installation of air baffle

While using with the carbon filter, air baffle is provided with your appliance with the aim of re-releasing the air which is cleaned with carbon filter from the perforated located on the chimney. Assemble the air baffle as below.



(Figure 9)

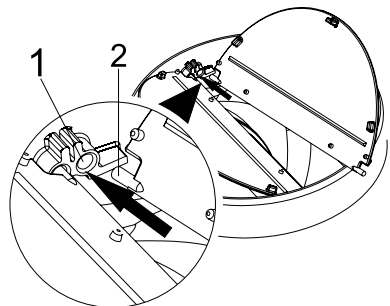
There is a tab in the middle of the chimney connection plate. Place the middle point of this tab on the line that is drawn perpendicular to the wall. Align horizontally and mark the holes where the connection plate will be mounted via a pen (Figure 9/A, B).

Drill the marked points with Ø6mm drill and insert two Ø6mm plastic dowels in the drilled holes (Figure 9/A, B).

Fix the chimney connection plate to the wall with 3.9x22 screws (Figure 9/A, B).

For the assembly air baffle, drill points C, D, E, F with a Ø6mm drill bit and tap the Ø6mm plastic dowels (Figure 9).

Assemble cooker hood's body (Figure 5).

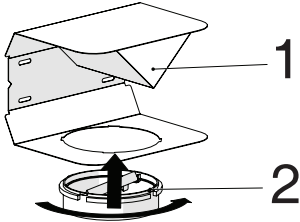


(Figure 10)

1. Flap Pin Socket
2. Flap Pin

5 Installation of appliance

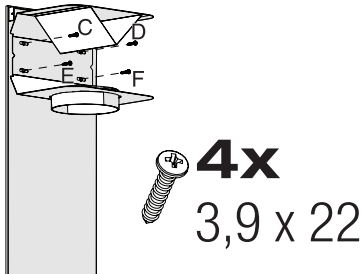
Attach the flue flaps to the plastic flue adapter in the package content as follows. Insert the plastic pin (Figure 10/area no. 2) on the pin socket on the motor exhaust (Figure 10/area no.1). Then bend the flap lightly to insert the other pin on the flap and insert the other pin to its socket (Figure 10).



(Figure 11)

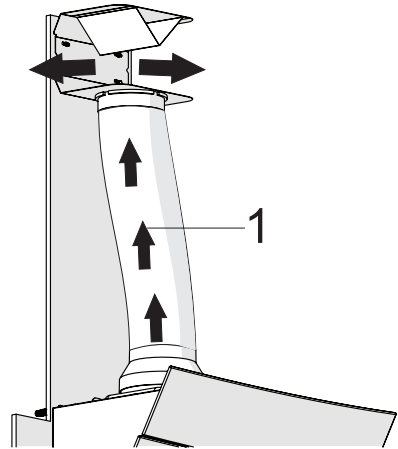
1. Air Baffle
2. Plastic Chimney

Attach the plastic chimney adapter, which is included in the package, in the direction of the air baffle. Lock the chimney adapter by turning it in the direction of the arrow (Figure 11).



(Figure 12)

Assemble the air baffle group with 3.9 x 22 screws from point C, D, E, F that you have already prepared (Figure 12).



(Figure 13)

1. Aluminium Air Outlet Pipe

Make the air outlet pipe assembly (Figure 13).



Since twists and bends in the aluminium pipe will lead to reduction in the air suction power, avoid using twists and bends as much as possible.

Install the chimney plates of the hood (Figure 10)

6 Troubleshooting

Troubleshooting	Root Cause	Help
Appliance is not working.	Check your fuses.	Fuse may be blown, inspect and restore it.
Appliance is not working.	Check the electrical connection.	Mains voltage shall be between 220 and 240 V.
Appliance is not working.	Check the electrical connection.	Check if other appliance in your kitchen operate.
Illumination light does not operate.	Check the electrical connection.	Mains voltage shall be between 220 and 240 V.
Illumination light does not operate.	Inspect the lamp switch.	Lamp switch shall be at "on" position.
Illumination light does not operate.	Inspect the lamps.	The lamps of the appliance shall illuminate.
Air inlet of the appliance is inadequate.	Inspect the grease filter.	Under normal operating conditions, grease filter shall be cleaned at least once in a month.
Air inlet of the appliance is inadequate.	Check the air discharge flue.	The air discharge flue shall be at "on" position.
Air inlet of the appliance is inadequate.	Inspect the carbon filter.	The filters of the appliances with carbon filters shall be replaced once in every 3 months under normal conditions.

Arçelik A.Ş.
Karaağaç Caddesi No: 2-6, 34445,
Sütlüce, İstanbul, Türkiye

www.beko.com

Dear Customer,
Thank you for purchasing BEKO product. We are confident that you will enjoy this product for many years. In case you need any further information, please contact us on short number. 16165

عزيزي العميل،
نشكركم على شراء أجهزة BEKO، نحن على ثقة بأنك سوف تستمتع بهذا المنتج لسنوات عديدة، في حال ان كنت بحاجة إلى مزيد من المعلومات يرجى الاتصال بنا على الرقم المختصر 16165

Product:	المنتج:
Model Number:	رقم الموديل:
Serial Number:	الرقم التسلسلي:
Production Date:	تاريخ الإنتاج:
Warranty Serial Number:	رقم مسلسل الضمان:
Dealer Name:	اسم الموزع:
Purchase Date:	تاريخ الشراء:
Customer Name:	اسم العميل:
Address:	العنوان:
Telephone:	التليفون:
BEKO EGYPT TRADING LLC guarantees this product for 5 Years against manufacturing defects.	

Terms and Conditions

- This Card and Sales Invoice must be presented upon any service.
- Warranty starts from date of purchase Invoice, if no proof for purchase date, the warranty starts with a maximum 6 months from production date.
- Warranty covers spare parts, Repair Fees, Inspection Fees, Examination Fees, service center representative transportation, and unit transportation fees -for repair purpose- from customer to service center and back.
- Warranty valid for Product home use only, and does not cover commercial use.
- This warranty doesn't cover damages caused by misuse, accident or non-compliance with User Instruction Manual.
- This Warranty is void if unit was opened or repaired at an unauthorized service center.
- This warranty doesn't cover: Cabinet - Lamps- Control Knobs- Glass parts.
- This Warranty is void if this card is lost or fabricated by any means.

This warranty card doesn't cover product installation visit. A separate fee to be paid by the customer.

Service and Sales on short number

16165

الشروط والأحكام

- يجب تقديم هذه البطاقة وفاتورة الشراء عند الخدمة.
- الضمان يبدأ من تاريخ فاتورة الشراء إذا لم يكن هناك إثبات لتاريخ الشراء يبدأ الضمان بحد أقصى بعد 6 أشهر من تاريخ الإنتاج.
- الضمان يشمل قطع الغيار وأجزاء الإصلاح والكشف والفحص وانتقال فني مركز الخدمة وأعمال نقل المنتج بغرض الإصلاح من مقر العميل إلى مركز الخدمة وإعادةه.
- هذا الضمان يغطي الجهاز للاستخدام المنزلي فقط، ولا يغطي الاستخدام التجاري.
- هذا الضمان لا يغطي الأضرار الناتجة عن الحوادث. سوء الاستخدام أو عدم اتباع دليل التشغيل.
- يعتبر الضمان لاص في حالة فتح أو اصلاح الجهاز لدى مركز خدمة غير معتمد.
- هذا الضمان لا يغطي: الكابينة - الصمات - مفاتيح التحكم - الأجزاء الزجاجية
- يعتبر الضمان لاص في حالة فقد شهادة الضمان أو أي شطب أو كشط بها.
- هذا الضمان لا يشمل زيارة تركيب المنتج و يتم تحديد وتسجيل رسوم الزيارة عند التركيب.**

خدمة

الموزع

الخدمة والبيعتات على الرقم المختصر

16165

Serial Number

Z6.Z02014/020714/2807110204

Home Advantage

Home Advantage

16165

16165

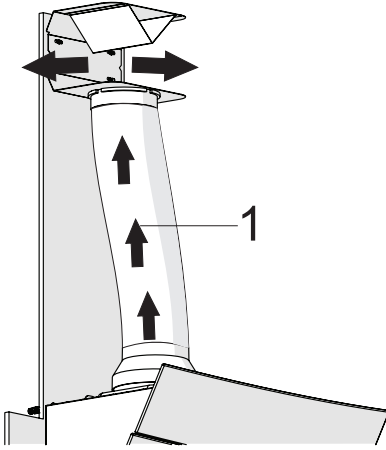
WARRANTY CERTIFICATE

شهادة ضمان

beko

beko

مساعدة	السبب	استكشاف الأخطاء وإصلاحها
قد يكون المصهر مغلقًا، اجعله يعمل.	افحص المصهر الخاص بك.	المنتج لا يعمل.
يجب أن يتراوح جهد المأخذ الكهربائي ما بين 220-240 فولط.	افحص الوصلة الكهربائية.	المنتج لا يعمل.
تحقق مما إذا كانت الأجهزة الأخرى الموجودة في مطبخك تعمل أم لا.	افحص الوصلة الكهربائية.	المنتج لا يعمل.
يجب أن يتراوح جهد المأخذ الكهربائي ما بين 220-240 فولط.	افحص الوصلة الكهربائية.	لمبة الإنارة لا تعمل.
يجب أن يكون مفتاح اللمبة في وضع التشغيل "ON".	افحص مفتاح اللمبة.	لمبة الإنارة لا تعمل.
ينبغي ألا تكون لمبات الجهاز معيبة.	افحص اللمبات.	لمبة الإنارة لا تعمل.
يجب تنظيف فلتر الزيت الألومنيوم مرة واحدة على الأقل كل شهر في الظروف العادية.	افحص الفلتر الألومنيوم.	الهواء الداخل إلى الجهاز ضعيف.
يجب أن يكون مصرف فتحة التهوية في وضع التشغيل "ON".	افحص مصرف فتحة التهوية.	الهواء الداخل إلى الجهاز ضعيف.
بالنسبة للأجهزة التي تحتوي على فلاتر كربون، يجب تغيير الفلتر عادة كل 3 أشهر.	افحص فلتر الكربون.	الهواء الداخل إلى الجهاز ضعيف.



(الشكل 13)

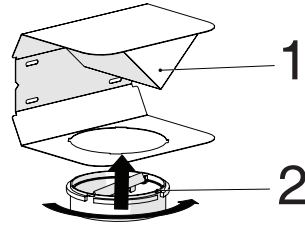
1. أنبوب مخرج هواء من الألمنيوم اصنع مجموعة أنبوب مخرج الهواء (الشكل 13).

لأن الانتشاءات والالتواءات في أنبوب الألمنيوم ستؤدي إلى خفض قوة الشفط لذا تجنبها قدر الإمكان.



قم بتركيب ألواح الاحتراق الخاصة بالشفط (الشكل 13)

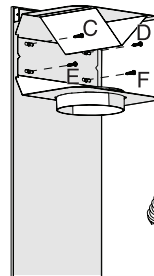
1. مقبس الدبوس المتدلي
 2. الدبوس المتدلي
- صل أغطية المداخل بمهائئ المداخل البلاستيكي الموجود بالعبوة على النحو التالي.
- أدخل الدبوس البلاستيكي (الشكل 10/المنطقة رقم 2) على مقبس الدبوس في عادم المحرك (الشكل 10/المنطقة رقم 1). ثم قم بتثبيت الغطاء برفق لإدخال الدبوس الآخر على اللسان وإدخال الدبوس الآخر في المقبس الخاص به (الشكل 10).



(الشكل 11)

1. حواجز هوائية
2. المداخل البلاستيكية

قم بتوصيل محول المداخل البلاستيكي، الموجود في العبوة، في اتجاه حاجز الهواء. قفل محول المداخل عن طريق تدويره في اتجاه السهم (الشكل 11).



4x
3,9 x 22

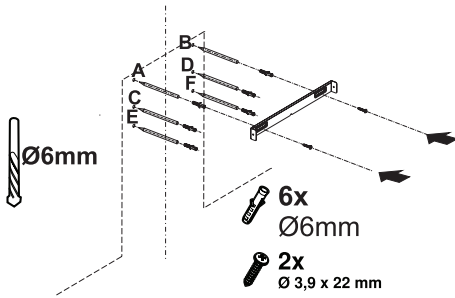
(شكل 12)

قم بتجميع مجموعة حاجز الهواء باستخدام مسامير $22 \times 3,9$ من النقاط C و D و E و F التي أعددتها بالفعل (الشكل 12).

5.5 تركيب الشفاط على المداخن

قم بعمل التوصيل الكهربائي للشفاط الخاص بك قبل البدء في تركيب المداخن. ادخل ألواح المداخن حول جسم الشفاط. قم بربط المداخن بالواح تثبيت المداخن المتوفرة في مقصورة المحرك. (الشكل 8).

قم بتثبيت المداخن على لوحة التثبيت المثبتة على الحائط من حوافها الخارجية العلوية (الالشكل 8).



(الشكل 9)

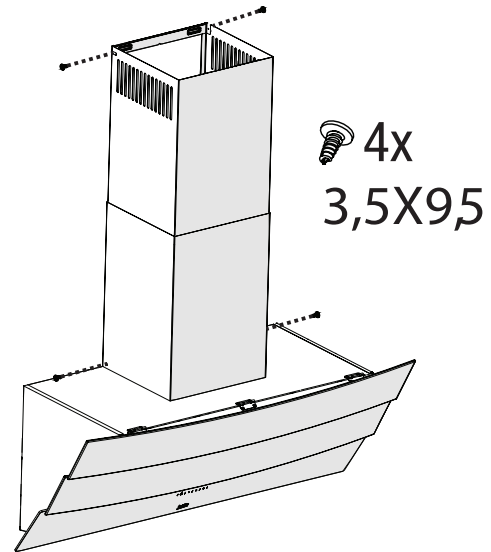
توجد علامة تبويب في منتصف لوحة توصيل المداخن. ضع النقطة الوسطى من علامة التبويب هذه على الخط المرسوم بشكل عمودي على الحائط. قم بمحاذاة أفقيًا وقم بتمييز الثقوب حيث سيتم تثبيت لوحة التوصيل باستخدام قلم (الشكل 9/ A ، B).

حفر النقاط المحددة مع مثقاب بقطر 6 ملم إدخال اثنين من المسامير البلاستيكية بقطر 6 ملم في الثقوب المحفورة (الشكل 9/ A ، B).

ثبت لوحة توصيل المداخن على الحائط باستخدام مسامير 22 x 3.9 (الشكل 9/ A ، B).

لتجميع حاجز الهواء ، قم بتثبيت النقطة ج ، د ، هـ ، و باستخدام مثقاب بقطر 6 ملم ومسامير بلاستيكية بقطر 6 ملم (الشكل 9).

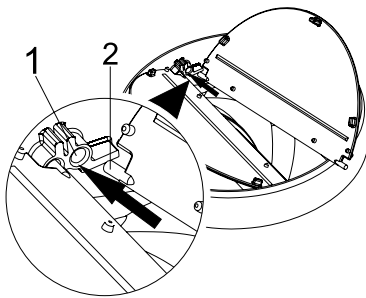
قم بتجميع جسم شفاط البوتاجاز (الشكل 5).



(الشكل 8)

5.6 تركيب الحاجز الهوائي

أثناء الاستخدام مع مرشح الكربون، يتم تزويد جهازك بحاجز هوائي بهدف إعادة إطلاق الهواء الذي يتم تنظيفه بمرشح الكربون من الفتحة الموجودة في المدخنة. قم بتجميع حاجز الهواء على النحو التالي.



(الشكل 10)

أدخل الدبوس البلاستيكي (الشكل 6/ المنطقة رقم 2) على مقبس الدبوس في عادم المحرك (الشكل 6/ المنطقة رقم 1). ثم قم بثنى الغطاء برفق لإدخال الدبوس الآخر على اللسان وإدخال الدبوس الآخر في المقبس الخاص به (الشكل 6).

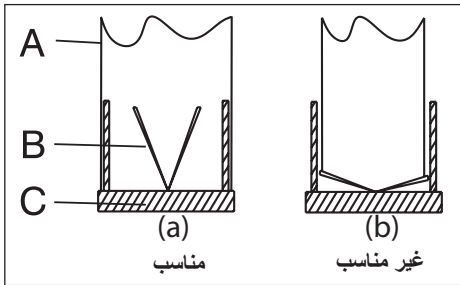
إذا كنت ستستخدم مهبي المداخن البلاستيكي بقطر 120/150 ملم، فقم بتوصيل أحد طرفي الأنبوب بهذا المحول، إذا كنت لن تستخدمه، وصله بالمخرج المباشر للمنتج. قم بتوصيل الطرف الآخر من الأنبوب بمداخلك. تأكد من أن الوصلتين محكمتان بدرجة كافية حتى لا يخرج عند تشغيل الجهاز بكامل طاقته. تأكد من أن اللوحات الموجودة داخل المداخن تعمل عند إحكام ربطها بالمشابك. قم بتوصيل مجرى توصيل المداخن خارج المحول (الشكل 7/a). إذا تم تركيب مجرى التوصيل داخل وصلة المهائي، فلن يحدث شفت للهواء لأن رفرف المداخن الذي يمنع عودة الهواء سيظل مغلقاً (الشكل 7/b). يجب أن يكون طول أنبوب الوصلة وعدد الأكواع بالحد الأدنى قدر الإمكان.

A : أنبوب خروج المداخن

B : مشابك المداخن

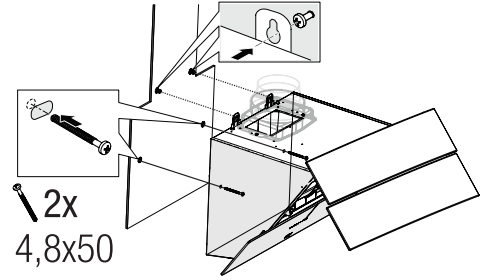
C : أنبوب بلاستيكي

تُغلق الصمامات ثم لا يعمل الجهاز ويمنع دخول الغبار والرائحة الخارجية المحتملة إلى الداخل.



(الشكل 7)

قم بتوصيل مهبي المدخنة البلاستيكي مقاس 150 مم المتضمن في العبوة بجسم المنتج باستخدام مسامير غير حادة الأطراف مقاس 3.5×9.5 . إذا كان مخرج الهواء متصلاً بمجرى تفرغ الهواء أصغر من 150 ملم، فقم بتركيب محول المداخن البلاستيكي مقاس 150/120 مم (الشكل 4).

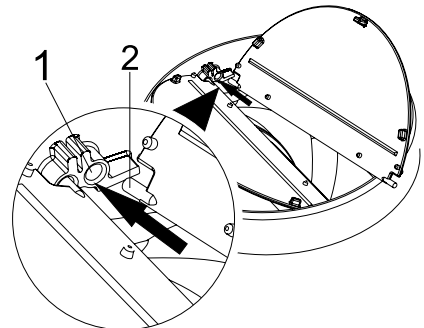


(الشكل 5)

أمسك مدخنة الموقد من جسمها وضعها على براغي التعليق بالجدار ثم اربط البراغي (الشكل 5).

تثبت مدخنة الموقد ببراغي مقاس 50×4.8 على الحائط من خلال فتحة التنبيت الموجودة في الجزء الداخلي من الجهاز (الشكل 5).

5.4 التوصيل بمداخن

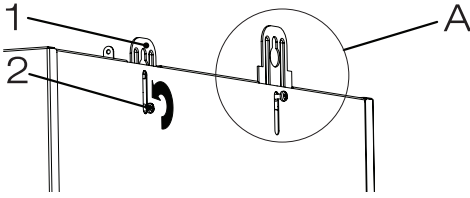


(الشكل 6)

1. مقبس الدبوس المتدلي
2. الدبوس المتدلي

لتجميع جسم الشفاط، يمكنك استخدام بنطة تثقيب بقطر 8 مم لحفر النقاط A و B و C و D في قالب التجميع، وإدخال الأوتاد البلاستيكية مفاص 4.8 × 50 مم في هذه النقاط. (الشكل 2/b).

2 قطعة برغي تعليق 50×4.8 مع خلوص 5 ملم بين رأس المسمار والجدار (الشكل 2/b).

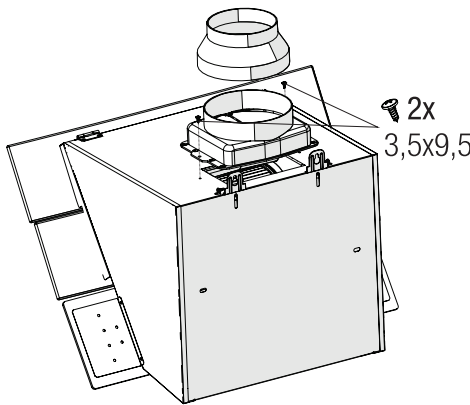


(الشكل 3)

1. لوح التعليق
2. مسمار توصيل لوحة التعليق

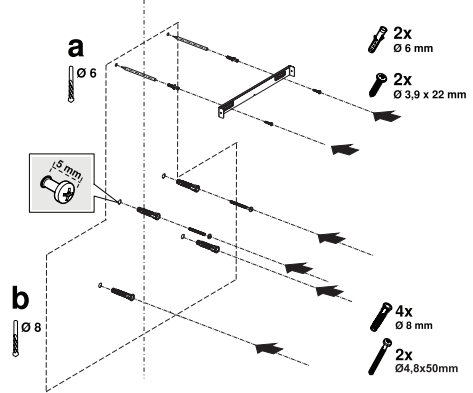
من أجل تثبيت الشفاط على الحائط، قم بفك المسامير اللولبية الموجودة على لوحات الشماعات المثبتة على مقصورة المحرك واسحبها لأعلى، ثم قم بتثبيتها مرة أخرى (الشكل A/3).

قم بتشغيل زجاج الشفط للشفاط وإزالة مرشح الشحوم من الألومنيوم.



(الشكل 4)

الجافة، والألواح، والخرسانة المسامية)، يجب استخدام أوتاد وصواميل التثبيت المناسبة.



(الشكل 2)

تنبيه: قبل الحفر، تأكد من عدم وجود أنابيب كهرباء أو غاز أو مياه بالقرب من أماكن الحفر.



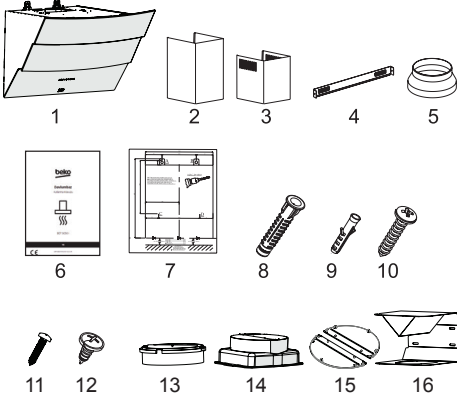
ارسم خط موقع متوسط من السقف عمودياً على الحافة السفلية للشفاط.

الصق قالب التثبيت المتوفر داخل الملحقات الموجودة على السطح حيث سيتم تركيب الشفاط. أثناء القيام بهذه العملية، لاحظ ارتفاع تركيب الشفاط (الشكل 1).

توجد علامة تبويب في منتصف لوحة توصيل المداخن. ضع النقطة الوسطى من علامة التبويب هذه على الخط المرسوم بشكل عمودي على الحائط. عند القيام بهذه العملية، اضبط الشفاط وفقاً لأقصى ارتفاع. حدد الثقوب حيث سيتم تركيب لوحة توصيل المداخن بمساعدة قلم (الشكل 2/a).

حفر النقاط المحددة بثقوب بقطر 6 ملم وإدخال عدد 2 وتد بلاستيكي في الثقوب المحفورة (الشكل 2/a). ثبت لوحة توصيل المداخن على الحائط باستخدام مسامير 22 × 3,9 (الشكل 2/a).

5.2 ملحقات التركيب



تحذير: قبل بدء التثبيت، اقرأ معلومات الأمان الموجودة في دليل المستخدم.



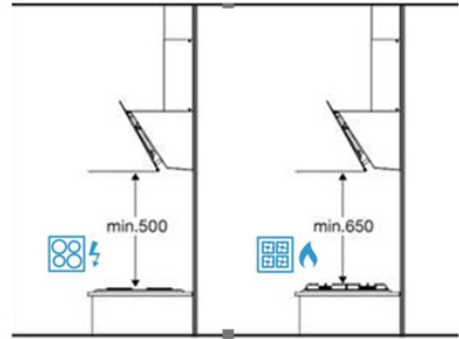
تحذير: قد يؤدي عدم التثبيت بالمسامير والمثبتات وفقاً لهذه التعليمات إلى التعرّض للصعق بالكهرباء.



لتركيب الشفاط، يرجى الاتصال بأقرب خدمة معتمدة.

يتحمل العميل مسؤولية إعداد الموقع والتركيب الكهربائي للشفاط.

5.1 موضع الجهاز



(الشكل 1)

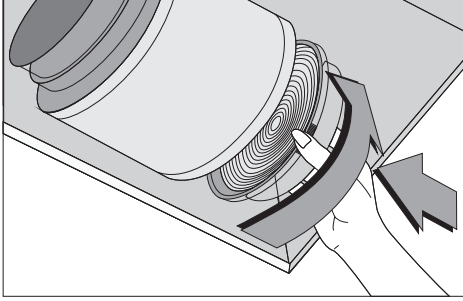
- في جميع أنواع شفاطات البوتاجاز، تكون مسافة التركيب على موقد الغاز والموقد الكهربائي 650 مم على الأقل. بالنسبة للشفاطات المائلة فقط، تكون مسافة التركيب على الموقد الكهربائي 500 مم على الأقل.
- يجب قياس المسافة من سطح الشبكة الخاصة بأفران الغاز، من سطح الزجاج للمواقد الكهربائية.

5.3 التثبيت على الحائط

- يجب أن يكون الجدار مسطحاً ومستقيماً ويتمتع بقدرة تحمل كافية.
- يجب أن يمثل عمق ثقب الحفر إلى طول المسامير.
- المسامير والأوتاد المزودة مناسبة للجدران المصنوعة من الطوب. بالنسبة لمواد البناء الأخرى (مثل الجدران

4.2 استبدال مرشحات الكربون

تحتوي مرشحات إزالة الرائحة على الفحم (الكربون النشط). يجب تركيب مرشحات الشحوم على الجهاز حتى في حال عدم استخدام مرشح الفحم.



- قم بإزالة مرشح الشحم المصنوع من الألومنيوم (الشكل 4).
- لإزالة مرشح الكربون، قم بإزالة مرشح الكربون من غلافه عن طريق تدويره عكس اتجاه عقارب الساعة من علامة التثبيت (الشكل 5).
- قم بتركيب مرشح الكربون الجديد.
- قم بتركيب مرشح الشحم المصنوع من الألومنيوم.

تنبيه

- يحظر غسل مرشح الكربون نهائيًا.
- استبدل مرشحات الكربون مرة كل 3 أشهر.
- يمكنك الحصول على مرشح الكربون من مراكز الخدمة المعتمدة.

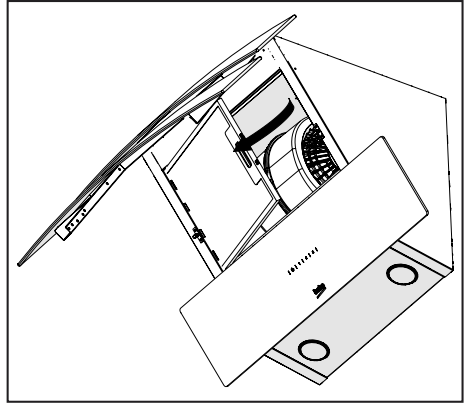


قبل التنظيف والصيانة، افصل المنتج أو أوقف تشغيل المفتاح.



4.1 تنظيف مرشح الشحوم المصنوع من الألومنيوم

يمتص هذا المرشح جزيئات الزيت من الهواء. قد يتغير لون مرشحات الشحوم المصنوعة من الألومنيوم عند غسلها؛ هذا أمر طبيعي ولا يتطلب استبدال مرشحات الشحوم المصنوعة من الألومنيوم.



- ادفع قفل مرشح شحم الألومنيوم للأمام.
- ثم اسحبه لأسفل قليلاً واسحبه للخارج. أو يمكنك ثني المرشح بدلاً من ذلك. اغسل واشطف مرشحات الشحوم المصنوعة من الألومنيوم بالمنظفات السائلة واستبدل مرشحات الشحوم المصنوعة من الألومنيوم في مأخذها عن طريق تنفيذ الخطوات المحددة أعلاه بترتيب عكسي. يمتص هذا المرشح جزيئات الزيت من الهواء.

يمكنك غسل مرشحات الشحوم المصنوعة من الألومنيوم في غسالة الأطباق.



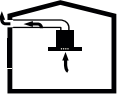
تنبيه: في حالة الاستخدام العادي، نظف المرشح مرة واحدة في الشهر.



	مصباح
W 3	طاقة المصباح
GZ 10	الحامل/ المقبس
V 240 - 220	جهد المصباح
53x50 mm	الحجم
D R / F 3 - 2 2 0 - 2 4 0 - GZ10-50-53	كود ILCOS
lm 260	فيض ضوئي
K 3000	درجة حرارة اللون المترابطة

يحتوي هذا المنتج على مصدر ضوء من فئة كفاءة الطاقة "F".

3.6 التشغيل مع توصيل المداخن

- يتم استخراج البخار من خلال مجرى المداخن، والذي يتم تثبيته برأس التوصيل الموجود على الشفاط. 
- يجب أن يكون قطر مجرى المداخن هو نفس حلقة التوصيل. في الإعدادات الأفقية، يجب أن يكون للأنبوب ميل طفيف إلى الأعلى (حوالي 10 درجات) حتى يتمكن الهواء من الخروج من الغرفة بسهولة.

3.7 التشغيل بدون توصيل المداخن

- يتم تنقية الهواء من خلال مرشح الكربون وإعادة تدويره في الغرفة. يتم استخدام مرشح الكربون عندما يكون من المستحيل استخدام مداخن في المنزل. 
- في حالة الاستخدام غير المائي، قم بإزالة اللوحات الموجودة داخل محول المداخن.
- فك مرشح الشحوم. لتركيب مرشح الكربون، ثبت المرشح على الألسنة عن طريق توسيطه على قطعة بلاستيكية على جانبي جسم المروحة. شدها بالتحول إلى اليمين أو اليسار.
- استبدل مرشح الشحم المصنوع من الألومنيوم.

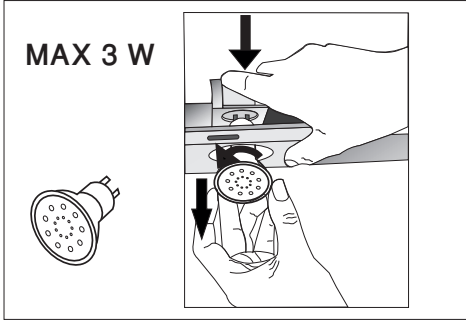
3.1 التحكم في الجهاز

- حالات وجود رائحة قوية ودخان كثيف.
- يمكنك تشغيل الجهاز بالضغط على زر إعداد السرعة المرغوبة. (B,C,D)
- يمكنك إنارة منطقة الطهي بالضغط على المصباح. (A)

3.4 الإيقاف التلقائي

يحتوي جهازك على ميزة الإيقاف التلقائي، مما يتيح له التهوية لفترة أطول قليلاً وإزالة الروائح غير المرغوب فيها والبخار داخل البيئة وإيقاف التشغيل تلقائياً بعد انتهاء الطهي. لتمكين ميزة الإيقاف التلقائي، اضغط على أي زر مرحلة سرعة (ب، ج، د) على لوحة التحكم لمدة تزيد عن ثانيتين؛ يجب تنشيط وظيفة المؤقت لمدة 15 دقيقة. عندما تكون ميزة الإيقاف التلقائي نشطة، سيؤدي الضغط على زر السرعة نفسه إلى تعطيل وظيفة الإيقاف التلقائي وسيتوقف محرك الجهاز. يتم تعطيل هذه الميزة عند التبديل بين مراحل السرعة المختلفة. إذا كنت تريد أن يتوقف الجهاز تلقائياً، فأنت بحاجة إلى تفعيل ميزة الإيقاف التلقائي مرة أخرى.

3.5 استبدال المصباح



قم بعمل التوصيلات الكهربائية للجهاز. يستخدم جهازك مصباح سبوت ليد 3 واط. لاستبدال المصباح، اضغط للأسفل على حامل المصباح من الخلف، أدركه قليلاً عكس عقارب الساعة، وأخرجه. قم بتطبيق العملية المذكورة أعلاه في الاتجاه المعاكس لتنشيط مصابيح جديدة.

المفتاح	الوظيفة
A : تشغيل/ إيقاف الإضاءة	يمكنك إنارة منطقة الطهي بالضغط على هذا الزر. أعد الضغط على الزر لإطفاء المصباح.
B : 1. زر المرحلة	يشغل الجهاز على السرعة الأولى. عند الضغط على هذا الزر مرة أخرى يتم إيقاف تشغيل الجهاز، ويتم إيقاف تشغيل مرحلة سرعة الشاشة.
C : 2. زر المرحلة	يشغل الجهاز على السرعة الثانية. عند الضغط على هذا الزر مرة أخرى يتم إيقاف تشغيل الجهاز، ويتم إيقاف تشغيل مرحلة سرعة الشاشة.
D : 3. زر المرحلة	يشغل الجهاز على السرعة الثالثة. عند الضغط على هذا الزر مرة أخرى يتم إيقاف تشغيل الجهاز، ويتم إيقاف تشغيل مرحلة سرعة الشاشة.

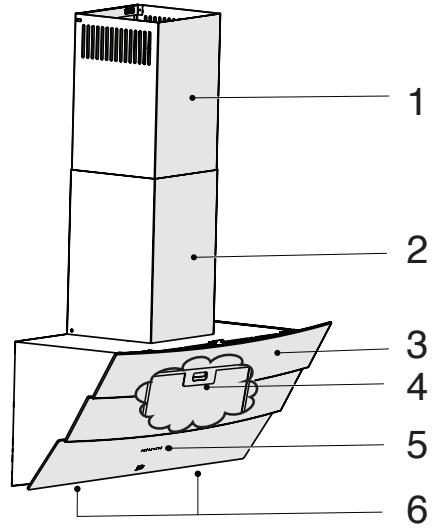
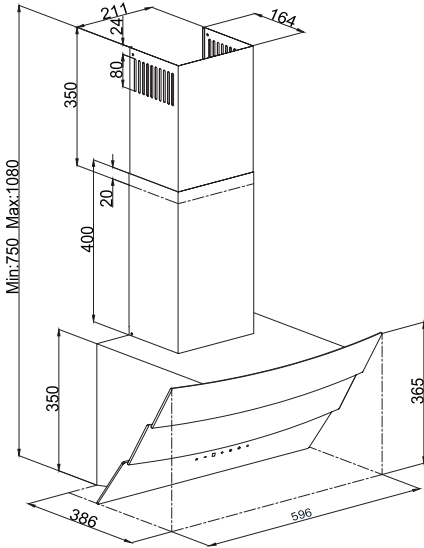
3.2 الاستخدام الفعال من حيث توفير الطاقة

- عند استخدام الجهاز، اضبط إعدادات السرعة طبقاً لكثافة الدخان والرائحة لتوفير الطاقة.
- استخدم السرعتين المنخفضتين (1-2) في الظروف الطبيعية، والسرعة العالية (3) في حالة وجود رائحة قوية ودخان كثيف.
- * تستخدم المصابيح على الشفاط لإنارة منطقي الطهي.
- إن استخدامها لإنارة المكان يتسبب بالاستهلاك غير اللازم للطاقة والإنارة غير الكافية.

3.3 تشغيل الشفاط

- يحتوي الجهاز لديك على محرك له سرعات متعددة.
- للحصول على أداء أفضل، نوصي باستخدام سرعات منخفضة في الظروف العادية وسرعات عالية في

2.1 نظرة عامة



1. الأنبوب الداخلي للمدخنة
2. الأنبوب الخارجي للمدخنة
3. الهيكل
4. مرشح الزيوت المعدنية (الغطاء الزجاجي)
5. لوحة التحكم
6. مصباح

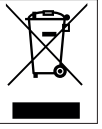
2.2 المواصفات الفنية

HCA 62640 BE	الطراز
220-240V ~ 50 Hz	جهد مصدر الإمداد
2x3 W	طاقة المصباح
W 210	طاقة المحرك
m ³ /h 582	معدل تدفق الهواء - 3. المستوى
F الفئة	فئة عزل المحرك
I الفئة	فئة العزل

1.2 الامتثال لتوجيه WEEE (نفايات الأجهزة الكهربائية والإلكترونية) والتخلص من نفايات المنتج:

يتوافق هذا المنتج مع توجيه نفايات الأجهزة الكهربائية والإلكترونية (EU/2012/19) للاتحاد الأوروبي. يحظى هذا المنتج بتصنيف رمز لنفايات الأجهزة الكهربائية والإلكترونية (WEEE).

يُشير هذا الرمز إلى أنه ينبغي عدم التخلص من هذا المنتج مع النفايات المنزلية الأخرى في نهاية عمره التشغيلي. ينبغي إعادة الجهاز المُستخدَم إلى نقطة تجميع رسمية لإعادة تدوير



الأجهزة الكهربائية والإلكترونية. للعثور على أنظمة التجميع هذه، يُرجى الاتصال بالهيئات المحلية المعنية لديك أو بائع التجزئة الذي اشتريته منه المنتج. تؤدي كل أسرة دورًا مهمًا في استعادة الأجهزة القديمة وإعادة تدويرها. ويساعد التخلص المناسب من الأجهزة المُستخدَمة في منع العواقب السلبية المحتملة على البيئة وصحة الإنسان.

1.3 الامتثال لتوجيه RoHS (الحد من المواد الخطرة)

يتوافق المنتج الذي اشتريته مع توجيه الحد من المواد الخطرة (EU/2011/65) للاتحاد الأوروبي. فهو لا يحتوي على مواد ضارة ومحظورة محددة في التوجيه.

1.4 معلومات التعبئة والتغليف

صُنعت مواد تعبئة المنتج وتغليفه من مواد قابلة لإعادة التدوير وفقًا للوائح التنظيمية البيئية الوطنية المعمول بها لدينا. تجنب التخلص من مواد التعبئة والتغليف مع النفايات المنزلية أو النفايات الأخرى. بل سلمهم إلى نقاط تجميع مواد التعبئة والتغليف المحددة من قبل الهيئات المحلية.



خطر الاختناق! احتفظ بجميع مواد التعبئة والتغليف بعيداً عن متناول الأطفال.

تنبيه: قد تصبح الأجزاء التي يمكن الوصول إليها ساخنة عند استخدامها مع أجهزة الطهي.

• ينبغي عدم توصيل مخرج المنتج بقنوات الهواء التي ينبعث منها دخان آخر.

• قد تكون تهوية الغرفة غير كافية عند استخدام غطاء الموقد الكهربائي في آن واحد مع الأجهزة التي تعمل بالغاز أو أنواع الوقود الأخرى (قد لا ينطبق ذلك على الأجهزة التي لا تُفرغ سوى الهواء مرة أخرى إلى الغرفة).

• قد تسقط الأشياء التي تُوضع على المنتج. لذا تجنب وضع أي أشياء عليه.

• تجنب إشعال أي لهب أسفل المنتج.

• تحذير: أزل الأغشية الواقية قبل تثبيت الغطاء.

• تجنب تماماً ترك ألسنة اللهب المكشوفة العالية أسفل الغطاء أثناء تشغيله.

• ينبغي مراقبة قلايات الدهون العميقة باستمرار أثناء استخدامها: نظراً لإمكانية اشتعال الزيت الساخن بشدة ونشوب ألسنة لهب.

• تجنب تشغيل المنتج بدون المرشح وتجنب إزالة المرشحات أثناء تشغيل المنتج.

• أوقف تشغيل منتجك وأجهزة الطهي الأخرى في حالة اندلاع أي لهب.

• في حالة اندلاع أي لهب، يرجى تغطيته وتجنب استخدام الماء في عملية الإطفاء تماماً.

• افصل الجهاز قبل كل عملية تنظيف وعند عدم استخدامه.

• ينبغي ألا يتجاوز الضغط السلبي في البيئة 4 باسكال (4 × 10 بار) بينما يعمل الغطاء الخاص بالموقد الكهربائي والأجهزة على نوع آخر من الطاقة ولكن تعمل الكهرباء في الوقت نفسه.

• في البيئة التي يُستخدَم فيها الجهاز، ينبغي أن يكون عادم الأجهزة التي تعمل بزيوت الوقود أو الغاز، مثل مدفأة الغرفة، معزولاً تماماً أو يجب أن يكون الجهاز من النوع محكم السد.

• عند توصيل المداخن، استخدم أنابيب يبلغ قطرها 120 أو 150 مم. وينبغي تقصير مسافة توصيل الأنبوب قدر الإمكان واستخدام أقل عدد ممكن من الأكواع.

- تأكد من توافق مصدر إمداد الطاقة الرئيسي لديك مع المعلومات المقدمة على لوحة تصنيف الجهاز.
- تجنب استخدام الجهاز تمامًا في حالة تلف كابل الطاقة أو الجهاز نفسه.
- تجنب تلف كابل الطاقة من خلال عدم الضغط عليه أو ثنيه أو التسبب في احتكاكه بالحواف الحادة. حافظ على كابل الطاقة بعيدًا عن الأسطح الساخنة واللهب المكشوف.
- لا تستخدم الجهاز سوى مع مقبس كهربائي مؤرض.
- تحذير: تجنب توصيل الجهاز بمصدر إمداد الطاقة الرئيسي قبل أن يتم تثبيته تمامًا.
- ضع الجهاز بطريقة تتيح الوصول إلى القابض بسهولة دائمًا.
- تجنب لمس المصابيح في حالة إضاءتها لفترة طويلة. فقد تنتسب في إصابة يديك بحروق لأنها ستكون ساخنة.
- اتبع اللوائح التنظيمية التي حددتها الهيئات المختصة بخصوص تفريغ هواء العادم (لا ينطبق هذا التحذير على الاستخدام بدون مداخن).
- شغل جهازك بعد وضع المقلاة والوعاء وما إلى ذلك على الموقد. وإلا، قد تؤدي الحرارة المرتفعة إلى حدوث تشوه في بعض أجزاء منتجك.
- أوقف تشغيل الموقد قبل رفع المقلاة والوعاء وما إلى ذلك من فوقه.
- تجنب ترك الزيت الساخن على الموقد. فقد تؤدي المقالي التي تحتوي على زيت ساخن إلى حدوث اشتعال ذاتي.
- يرجى الانتباه إلى الستائر والأغطية لديك نظرًا لإمكانية اشتعال الزيت أثناء طهي الأطعمة مثل البطاطس المقلية.
- يلزم استبدال مرشح الشحوم شهريًا على الأقل. يلزم استبدال المرشح الكربوني كل 3 أشهر على الأقل.
- ينبغي تنظيف المنتج وفقًا لدليل المُستخدِم. لأنه في حالة عدم تنظيفه وفقًا لدليل المُستخدِم، قد يكون هناك ثمة خطر من نشوب حريق.
- تجنب استخدام مواد تصفية غير مقاومة للحريق بدلًا من المرشح الحالي.
- لا تستخدم سوى الأجزاء الأصلية أو الأجزاء التي أوصت بها الشركة المصنعة.

1.1 السلامة العامة

– بيئات المبيت والإفطار.

– لا تشغل الجهاز سوى للغرض المخصص له كما هو موضح في هذا الدليل.

• لا يمكن تحميل الشركة المصنعة مسؤولية الأضرار الناجمة عن التثبيت غير الصحيح للمنتج أو سوء استخدامه.

• يمكن للأطفال الذين تتراوح أعمارهم بين 8 سنوات وما فوق والأشخاص ذوي القدرات الجسدية أو الحسية أو العقلية المحدودة أو الذين يعانون من نقص في الخبرة والمعرفة استخدام هذا الجهاز في حالة الإشراف عليهم أو منحهم التعليمات المتعلقة باستخدام الجهاز بطريقة آمنة وفهمهم للمخاطر المرتبطة به.

• ينبغي عدم السماح للأطفال بالعبث في الجهاز. ولا ينبغي لهم كذلك تنظيفه وصيانته دون الخضوع للإشراف.

• ينبغي ألا يقل الحد الأدنى للمسافة بين سطح الدعم لأوعية الطهي على الموقد والجزء السفلي من منتجك عن 50 سم.

• إذا كانت تعليمات تثبيت موقد الغاز تحدد مسافة أكبر، يلزم مراعاة ذلك.

اقرأ تعليمات السلامة المهمة بعناية واحتفظ بها للرجوع إليها في المستقبل يحتوي هذا القسم على تعليمات السلامة التي ستساعد في الحماية من خطر نشوب حريق أو التعرض لصدمة كهربائية أو طاقة الميكروويف المتسربة أو الإصابة الشخصية أو تلف الممتلكات. يؤدي عدم اتباع هذه التعليمات إلى إبطال أي ضمان.

• تتوافق منتجات Beko مع معايير السلامة المعمول بها؛ لذلك، في حالة حدوث أي تلف بالجهاز أو كابل الطاقة، يجب إصلاحه أو استبداله لدى الوكيل أو مركز الخدمة أو فني خدمات متخصص ومعتمد على حد سواء لتجنب أي خطر. فقد تمثل أعمال الإصلاح الخاطئة أو غير المؤهلة خطورة وتشكل خطرًا على المستخدم.

• صُمم هذا الجهاز خصيصًا للاستخدام في الاستخدامات المنزلية وما شابهها مثل:

– مناطق مطبخ الموظفين في المتاجر والمكاتب وبيئات العمل الأخرى؛

– منازل المزارع
– من قبل العملاء في الفنادق والبيئات السكنية الأخرى؛





يرجى قراءة دليل المُستخدمِ هذا أولاً!

عملينا العزيز الغالي،

شكراً لك على تفضيلك لجهاز Beko هذا. نأمل حصولك على أفضل النتائج من جهازك الذي صُنِعَ بجودة عالية وبأحدث التقنيات. ولهذا السبب، يرجى قراءة دليل المُستخدمِ هذا بالكامل وجميع المستندات الأخرى المرفقة معه بعناية قبل استخدام الجهاز والاحتفاظ بهم كمرجع للاستخدام المستقبلي. ويرجى، في حالة إعطاء الجهاز لشخص آخر، منحه دليل المُستخدمِ كذلك. اتبع التعليمات من خلال الانتباه إلى جميع المعلومات والتحذيرات الواردة في دليل المُستخدمِ. تذكر أن دليل المُستخدمِ هذا قد ينطبق أيضاً على الطرز الأخرى. وتوصف الاختلافات بين الطرز بوضوح في الدليل.

معاني الرموز

تُستخدم الرموز التالية في أقسام مختلفة من دليل المُستخدمِ هذا:

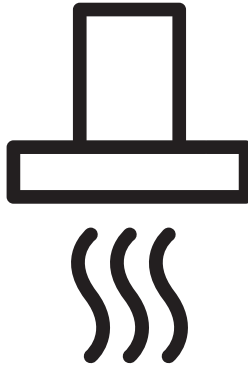
معلومات مهمة ونصائح مفيدة بخصوص الاستخدام.	
تحذير: تحذيرات من المواقع الخطرة المتعلقة بأمن الحياة والممتلكات.	
تحذير من خطر نشوب حريق.	
تحذير من خطر التعرض لصدمة كهربائية.	



beko

مادخنة موقد

دليل المستخدم



HCA62640BE

AR

CE

01M-8809143200-2223-17