



Cooker hood

User Manual

Haube

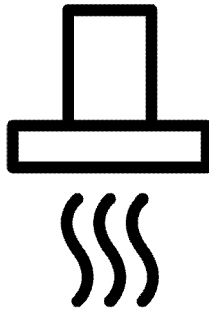
Gebrauchsanleitung

Hotte murale

Manuel d'utilisation

Campana extractora

Manual del usuario



HCB91731BXH

EN / DE / FR / ES

185.7310.97/R.AB/21.06.2021/3-1

7702382933

Please read this user manual first!

Dear Customer,

Thank you for purchasing this Beko product. We hope that you get the best results from your product which has been manufactured with high quality and state-of-the-art technology. Therefore, please read this entire user manual and all other accompanying documents carefully before using the product and keep it as a reference for future use. If you handover the product to someone else, give the user manual as well. Follow all warnings and information in the user manual.

Remember that this user manual is also applicable for several other models. Differences between models will be identified in the manual.

Explanation of symbols

Throughout this user manual the following symbols are used:



Important information or useful hints about usage.



Warning of hazardous situations with regard to life and property.



Warning of electric shock.



Warning of risk of fire.



Warning of hot surfaces.



Arçelik A.Ş.
Karaağaç caddesi No:2-6
34445 Sütlüce/İstanbul/TURKEY
Made in TURKEY

This product was manufactured using the latest technology in environmentally friendly conditions.

TABLE OF CONTENTS

1 Important instructions and warnings for safety and environment 4

General safety	4
Electrical safety	5
Product safety.....	6
Intended use.....	7
Children's safety.....	7
Disposing of the old product	8
Package information.....	8

2 General information 9

Overview	9
Scope of delivery.....	9
Technical specifications	10

3 Installation 11

Installation.....	11
Future transportation	16

4 Operating the hood 17

5 Maintenance and care 19

General information	19
Replacing the lamp.....	20

6 Troubleshooting 21

1 Important instructions and warnings for safety and environment

This section contains safety instructions that will help protect from risk of personal injury or property damage. Failure to follow these instructions shall void any warranty.

General safety

- This appliance can be used by children aged from 8 years and above and persons with reduced physical, sensory or mental capabilities or lack of experience and knowledge if they have been given supervision or instruction concerning use of the appliance in a safe way and understand the hazards involved.

Children shall not play with the appliance. Cleaning and user maintenance shall not be made by children without supervision.

- **Risk of Toxicating!** While the appliance is operating, air in the entire house is sucked. If adequate ventilation is not provided, waste and toxic gasses which are released as a result of burning will be

drawn back into the house through chimney draught. Do not operate the appliance together with sources that may emit toxic gasses and create air draught (wood, gas, oil, and coal stoves, water heaters, kettles, etc.).

- Always have the authorized persons check the adequacy of ventilation and chimney draught in your building.
- The appliance is not intended for use by persons (including children) with reduced physical, sensory or mental capabilities, or lack of experience and knowledge, unless they have been given supervised or instruction concerning use of the appliance by a responsible person for their safety. Young children should be supervised to ensure that they do not play with the appliance. Cleaning and user maintenance procedures should not be performed by the children unless they are under supervision.

- Always have the installation and repair procedures performed by **Authorised Service Agent**. Manufacturer shall not be held responsible for damages arising from procedures carried out by unauthorised persons.
- Do not operate the appliance if it is defective or has any visible damage.
- Make sure that the appliance is switched off after every use.
- If the product is handed over to someone else for personal use or second-hand use purposes, the user manual, product labels and other relevant documents and parts should be also given.
- Appliance must be installed by a qualified person in accordance with the regulations in force. Otherwise, the warranty shall become void.
- If it has a failure, the product should not be operated without being repaired by the Authorised Service Agent. There is the risk of electric shock!
- Never connect the hood before installation is completed.
- Never touch the plug with wet hands! Do not unplug by pulling from the cable; always hold by the plug to unplug.
- Product must be disconnected from the mains during installation, maintenance, cleaning and repair procedures.
- If the supply cord is damaged, it must be replaced by the manufacturer or its service agent or a similarly qualified person in order to avoid a hazard.
- Never connect power cable near to the hobs. If melted down, cable may lead to fire.

Electrical safety

- To get your product ready for use, firstly you must have installation place and electric wiring prepared. Later, you may call Authorised Service nearest to you.
- Any work on electrical equipment and systems may only be carried out by authorised and qualified persons.
- In case of any damage, switch off the product and disconnect it from the mains.

To do this, turn off the fuse at home.

- Make sure that fuse current is compatible with the product.
- Never wash down the product with water! There is the risk of electric shock!

Product safety

- The height between the lower surface of the hood and upper surface of the hob should not be less than 650 mm.
- Never touch the hood's lamp after they operated for a long time. Hot lamps may burn your hands.
- Never operate the product without oil filter. Never remove filters when the product is in use.
- Avoid big flames beneath the product. Otherwise, particles on oil filter may flame up and cause fire.
- Turn on the hobs after placing pans or pots on. Otherwise, rising temperature may deform certain parts of your product.
- Turn off the hobs before taking away pans or pots.
- Avoid inflammable materials under the hood.
- Do not expose the product to open flames beneath it. It can cause oils accumulated in the filter to catch fire. Do not operate the product without filter.
- Never leave the cooker unattended when frying foods, the oil may flame up and boiled oil may cause fire. Thus, be careful about cloths and curtains.
- If the hood is not periodically and properly cleaned, this may cause burning risk on your hood.
- For refreshing the kitchen's air from cooking smells and steams, please turn on your hood for 15 minutes more after cooking or frying has ended.
- There shall be adequate ventilation of the room when the range hood is used at the same time as appliances burning gas or other fuels. (Not applicable to appliances that only discharge the air back into the room)
- In the environment where the hood is being used, the exhaust of fuel oil or gas devices such as room heater must be absolutely insulated

or device must be hermetical type.

- If there is a fuel oil or gas device in the environment, the room must be ventilated sufficiently.
- When a non-electrically operated device is concurrently used in the environment together with the hood, the negative pressure in the room must be maximum 0.04 mbar to avoid the hood's returning other device's exhaust into the room.
- Never connect the hood to the chimneys used for heaters, waste gas or with rising flames. Observe authorities' regulations on the draining of output air.
- When connecting to the chimney, use 120-mm diameter pipes. Pipe connection must be as short as possible with fewer bends.
- Do not hang easily flammable and combustible materials on hood handles.
- Our company shall never be responsible for the problems arising from the use against the warnings above.

- There is a risk of fire if cleaning is not carried out in accordance with the instructions.
- Do not flambé under the range hood.
- Caution: Accessible parts may become hot when used with a cooking appliance.
- You are recommended to clean your filter once a month in normal use.

Intended use

This product is designed for domestic use. Commercial use is not admissible.

The manufacturer shall not be liable for any damage caused by improper use or handling.

Children's safety

- Keep children away from the product when it is operating and do not allow them to play with the product.
- Packaging materials are dangerous to children. Keep the packaging materials in a place where children cannot reach and sort and discard them in accordance with the waste disposal directives.
- Electrical products are dangerous to children. Keep children away from the

product when it is operating and do not allow them to play with the product.

Disposing of the old product

Compliance with the WEEE Directive and Disposing of the Waste Product:



This product complies with EU WEEE Directive (2012/19/EU). This product bears a classification symbol for waste electrical and electronic equipment (WEEE).

This product has been manufactured with high quality parts and materials which can be reused and are suitable for recycling. Do not dispose of the waste product with normal domestic and other wastes at the end of its service life. Take

it to the collection center for the recycling of electrical and electronic equipment. Please consult your local authorities to learn about these collection centers.

Compliance with RoHS Directive:

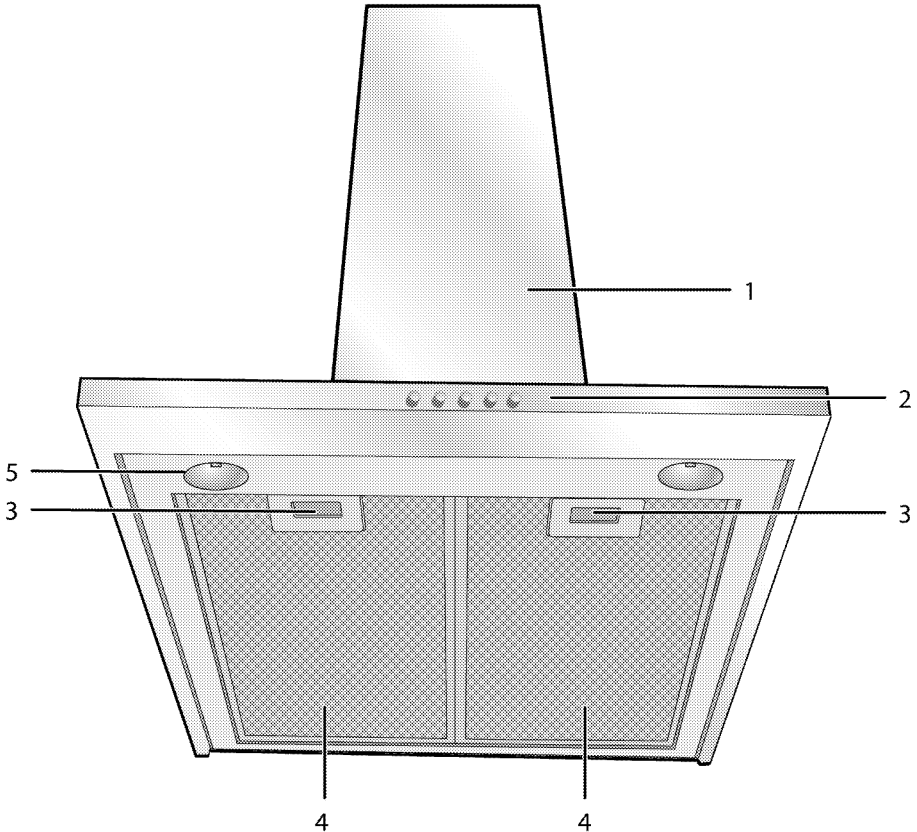
The product you have purchased complies with EU RoHS Directive (2011/65/EU). It does not contain harmful and prohibited materials specified in the Directive.

Package information

- Packaging materials of the product are manufactured from recyclable materials in accordance with our National Environment Regulations. Do not dispose of the packaging materials together with the domestic or other wastes. Take them to the packaging material collection points designated by the local authorities.

2 General information

Overview



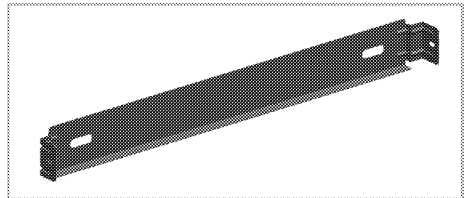
- 1 Hood body
- 2 Control panel
- 3 Aluminum filter lock
- 4 Aluminum filter
- 5 Lamp

Scope of delivery

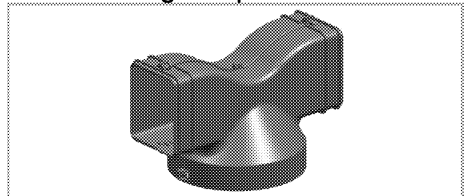
i Accessories supplied can vary depending on the appliance model. Not every accessory described in the user manual may exist on your appliance.

1. User manual

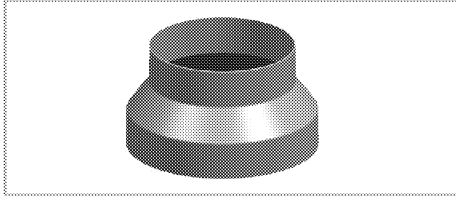
2. Wall connector



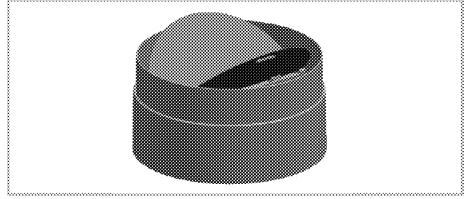
3. Air directing component



4. Chimney connection adapter



5. Valves to prevent reverse air flow



Technical specifications

External dimensions (height/width/depth)	min. 760 mm - max. 927 mm/898 mm/490 mm
Voltage/frequency	220-240 V~1N 50 Hz
Control	3 level + Booster
Suction power	730 m ³ /h
Total power consumption	max. 300 W
Air outlet pipe diameter	120 - 150 mm
LAMP	
Lamp type	Led
Lamp power consumption	3 W
Max. power of a potential replacement lamp	max. 2 x 4 W.Led /max. 2 x 28 W.Halogen
Voltage/frequency of lamp	230 V~; 50/60 Hz
Type of lamp cap	GU10
Diameter/length of lamp	50 mm /55 mm





i Technical specifications may be changed without prior notice to improve the quality of the product.

i Figures in this manual are schematic and may not exactly match the product.

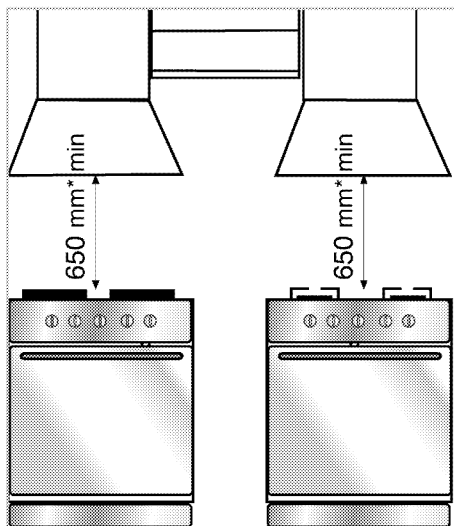
i Values stated on the markings of the product or in other printed documents supplied with the product are obtained under laboratory conditions as per relevant standards. Depending on operational and environmental conditions of the product, these values may vary.

3 Installation

Refer to the nearest Authorised Service Agent for installation of the product. Make sure that the electric installations are in place before calling the Authorised Service Agent to have the product ready for operation. If not, call a qualified electrician and fitter to have the required arrangements made.

-  Preparation of location and electrical installation for the product is under customer's responsibility.
-  The product must be installed in accordance with all local electrical regulations.
-  Prior to installation, visually check if the product has any defects on it.
If so, do not have it installed.
Damaged products cause risks for your safety.
-  Warning: Failure to install the screws or fixing device in accordance with the instructions may result in electrical hazards.

Installation



* min.

There should be a minimum clearance of 650 mm between the top surface of the hob and the bottom surface of the hood. The air to be extracted via the hood should not be connected to a chimney that is used by other appliances that use gas or other fuels. (It does not apply to devices that only blow the air back into the room)

The regulations on air exhaust should be followed.

Electrical connection

Manufactured with 2-track power cable, this device must be connected to the mains by an electrical switch with at least 3mm clearance between bipolar contact leads. Have the electrical connections done by a qualified electrician.

- Install your appliance so that you can reach the power connection (plug, outlet) easily after installation.

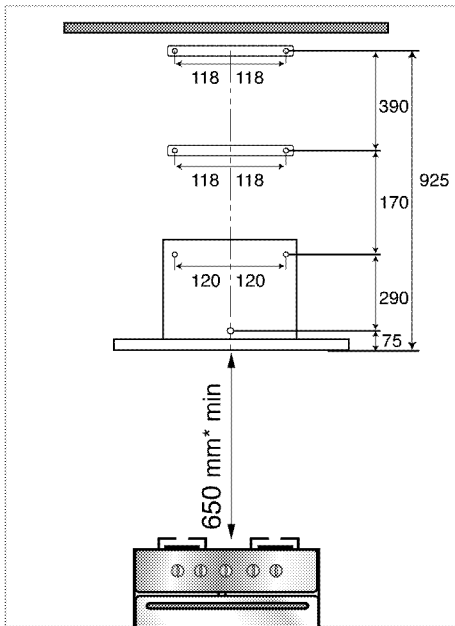
Installing the hood



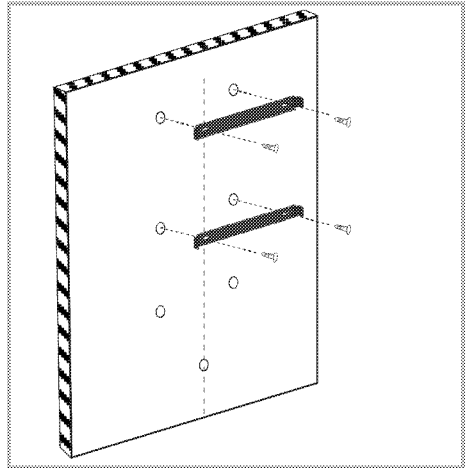
Measurements are in mm.

The following provides necessary information to prepare the location for hood installation.

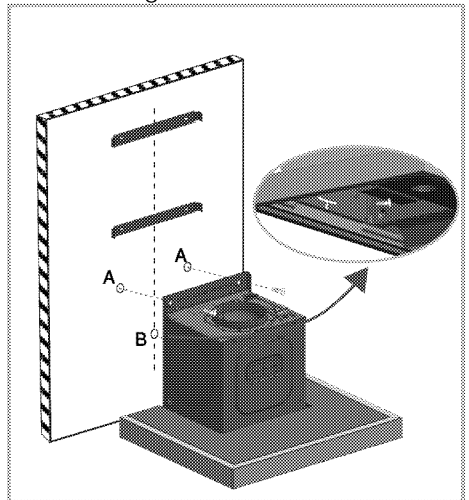
The hood must be installed above the central axis of the cooking appliance. There should be a minimum clearance of 650 mm between the top surface of the hob and the bottom surface of the hood. Please apply the following steps for the hood's installation.



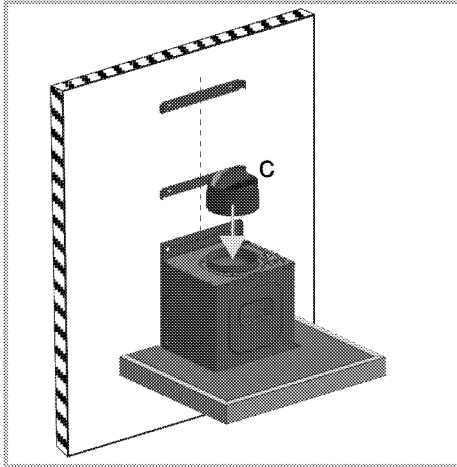
- 1.Centering the cooking appliance, draw an axis line that has the same height as that of the figure above. Then, with reference to this axis line, drill holes according to the dimensions given above to the fasteners supplied with the product.
- 2.Insert the plastic plugs which are given with the packaging into these holes. Check if chimney connectors correspond to those holes or not.



- 3.As shown in the figure above, fix the wall fittings to their corresponding holes using the two fixing screws provided with the accessories.
- 4.Fix the hood to the wall by centering it through the A holes. Remove the aluminum filters of the hood. On the inside, fix the back plate of the hood through the B hole using a screw as shown in the figure below. Make sure that the hood is parallel to the counter when fixing.

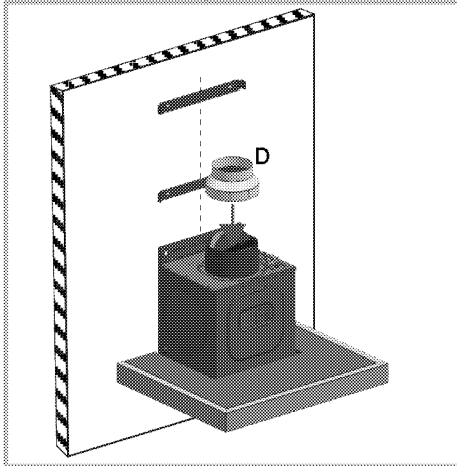


5. As shown in the figure below, place the cover (C) - that prevents reversed air flow - to the chimney outlet.



6. For chimney connection usage:

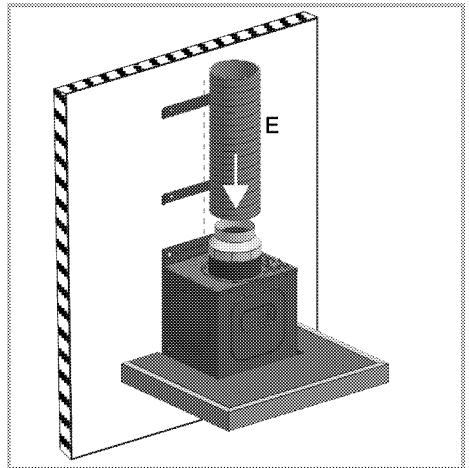
In chimney connection installation, the absorbed air will pass through the aluminium filters and will be expelled to the outside through the connection pipe.



When this connection position is used, chimney connection adapter D is placed on part C as shown in the figure above.

i D chimney connection adaptor will only be used when the chimney connection pipe's diameter is 120mm. If your chimney connection pipe's diameter is 150mm, you will not need to use chimney connection adaptor D and therefore you will need to connect one end of the chimney connection pipe E directly onto cover C.

7. Connect one end of the chimney connection pipe E to the chimney connection adapter and place the other end to the chimney. You can obtain the chimney connection pipe E from the authorized service or from the market



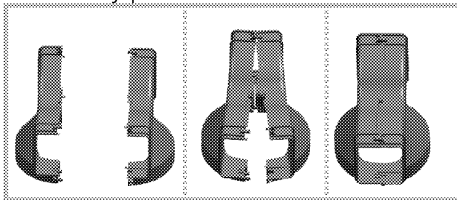
You should make sure that the chimney connection pipes used are made of fireproof plastic material. When using flexible connection pipe, it should be considered that sharp corners and sudden contractions will have a negative impact on air suction.

The hood must never be connected to a chimney to which another device was already connected.

i Connection pipe should not be larger than 120-150 mm; otherwise, proper chimney connection will be prevented.

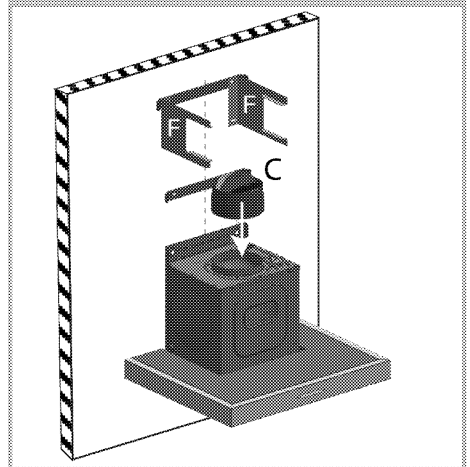
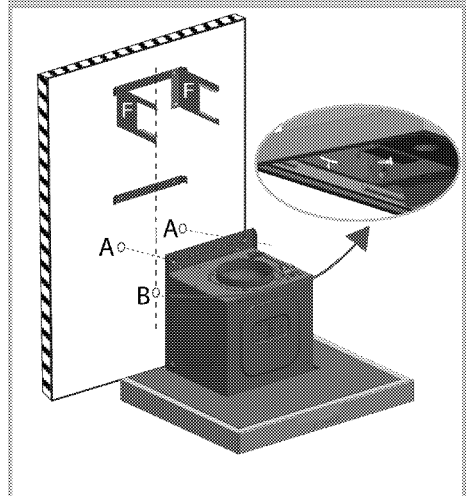
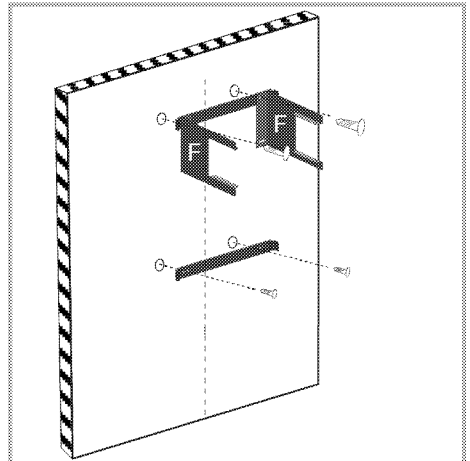
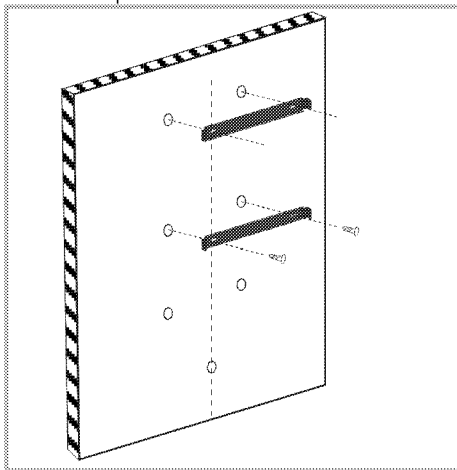
8. Internal circulation (Use with carbon filter)

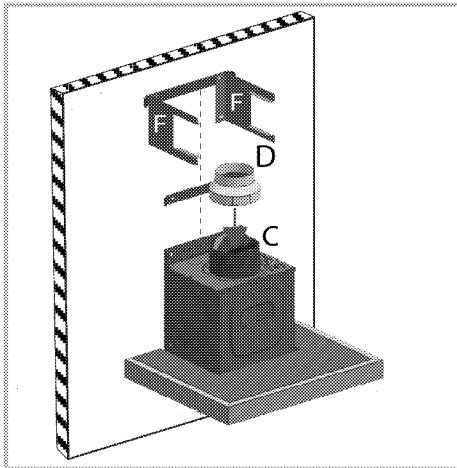
In the position of internal circulation, the air absorbed from the environment will go through aluminium filters and carbon filters, where the smell is eliminated, and pass through air directing component, it is finally sent back to the environment through the ventilation grills on the side of the chimney piece.



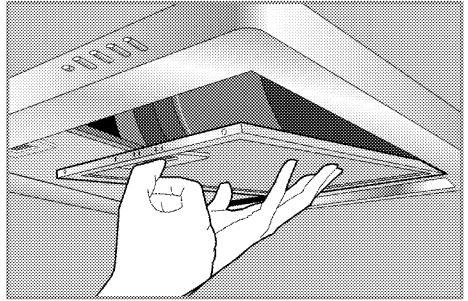
Assemble the air directing component, that is provided as two separate parts, as shown in the figure.

Follow the steps below for use without chimney. You can obtain the chimney connection pipe E and connection elements F from the authorised service provider or from the market.

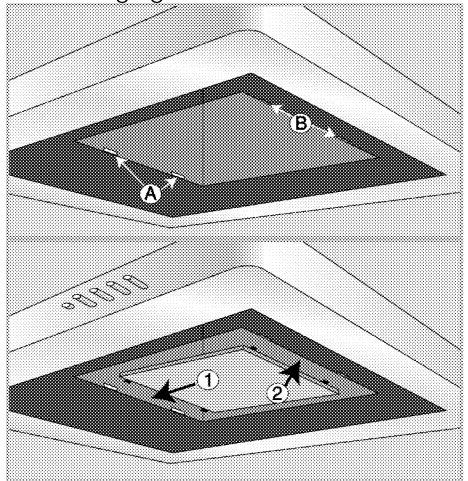
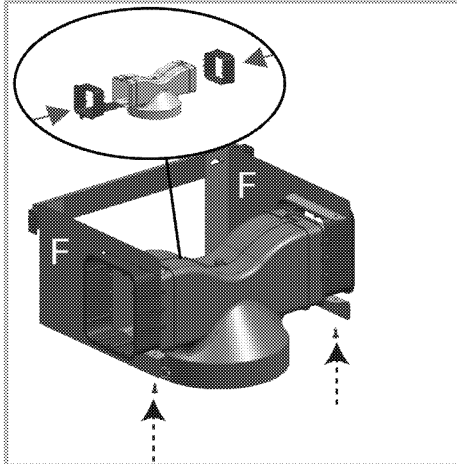




9. Remove aluminum filters as shown below.



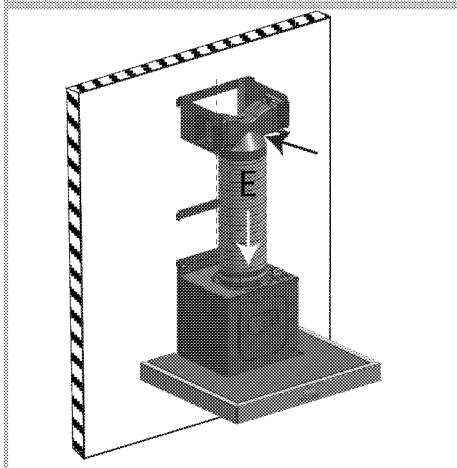
10. Install the carbon filter as per the following figure.

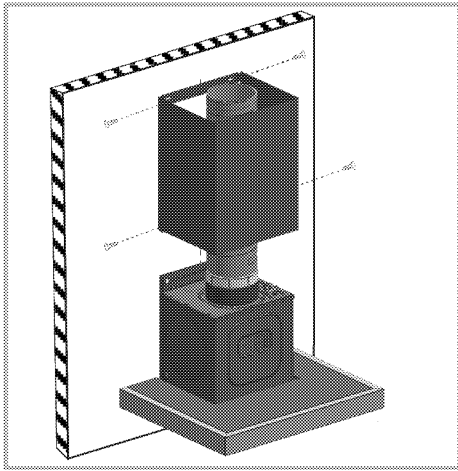


Re-install aluminum filters.

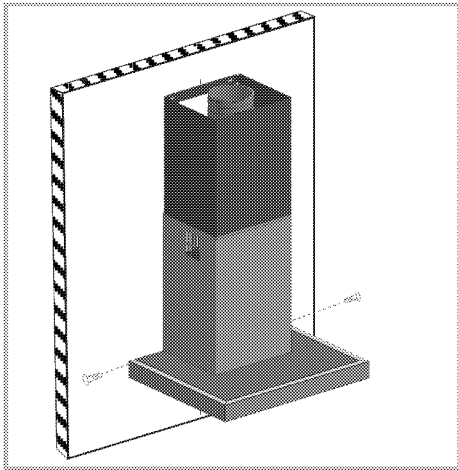
11. Installation of chimney

To install the upper chimney, place its upper corners onto the upper wall connector and use the screws to fix the chimney to the wall connector as shown in the figure below.





To install lower chimney, stretch the chimney by pulling slightly from both sides and secure it onto upper chimney's slots as shown in the figure above.



Fix it to the hood through the two holes on the lower corners of the lower chimney.

You may use the hood in two ways:

1-Chimney-connected use

The steam is expelled via chimney pipe which is secured to the connection ring on the hood. Diameter of chimney pipe should be equal to connection ring. To allow the air easily going out of the room in horizontal arrangements, the pipe should be slightly tilted upwards (approximately 10°).

i If the carbon filter is installed on your hood, remove it when using the hood with the chimney.

2- Use with no chimney connection

Air is filtered through carbon filter and returned to the room. Carbon filter is used when there is no chimney in the house or when it is impossible to install a chimney pipe.

- Install the carbon filter as described in the installation section.

Future transportation

- Keep the product's original carton and transport the product in it. Follow the instructions on the carton. If you do not have the original carton, pack the product in bubble wrap or thick cardboard and tape it securely.

i Do not place any objects onto the product and move it in upright position.

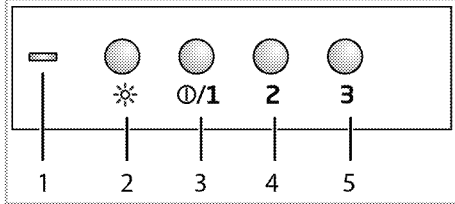
i Check the general appearance of your product for any damages that might have occurred during transportation.

4 Operating the hood

Hood is equipped with a motor with various speed settings.

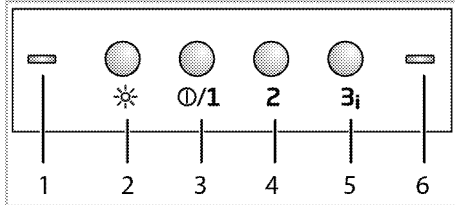
For a better performance, we advise you to use low speeds in normal conditions, and high speeds when smell and vapors are intensified.

MODEL A



- 1 Level warning lamp
- 2 Light button
- 3 On/off button
- 4 Speed 2
- 5 Speed 3

MODEL B



- 1 Level warning lamp
- 2 Light button
- 3 On/off button
- 4 Speed 2
- 5 Speed 3/Booster
- 6 Warning lamp

Operating the hood

- 1.To turn on the hood, press the on/off button.
- 2.To change the speed, press Speed2 and Speed 3 buttons.

i Never press on two buttons at the same time. If pressed, higher speed will be activated.

i If no buttons are pressed product works more than 6 hours.

Level warning lamp level indicator

Turning on and off (Speed1): Green

Speed 2: Orange

Speed 3: Red

Booster : Red (continuously flashes in 0.5 sec)

Automatic power-off mode (for A and B)

- 1.When the product is work on any level, press the buttons level 2 and 3 at the same time. And hold for more 2 sn. Automatic power-off mode is activated and level warning lamp is blink in set level color.
- 2.Product will continue to work 20 minutes on set level and after shut on automatically.

i If you press any level button except the lamp button, automatic power-off mode is cancelled.

Activating intense ventilation mode (Booster) (for model B)

Press and hold the Speed 3 button more than two seconds. Intense ventilation mode will be activated and it will be active for maximum 10 minutes. After 10 minutes, it will continue to operate in Speed 3 position.

i During intense ventilation, number 1 level warning lamp will flash.

During intense ventilation, if any of the speed buttons is pressed then the operation will continue in that speed level.

Turning off the hood

- 1.Press on the Off button when the hood is operating in a certain speed.

Operating the lamp

1. Press on the lamp button to operate the lamp.

Turning off the lamp

1. Press on the lamp button again to turn off the lamp.

i Off button do not turn off the lamp, it only stops operation of the hood.

Air filter mode (for model B)

1. Press and hold the Speed 2 button more than 5 seconds.

» Air filter mode will be activated.

Warning lamp (6) will flash in orange.

2. Air filter mode will operate for 10 minutes at speed 1 level and then stops for 50 minutes within 1 hour. If the air filter mod will not turned off, it will continue to operate for 10 minutes and stops 50 minutes for each each hour during 24 hours.

i You can utilize air filter mode to remove odor found in-house in long term using low speed.

Turning off the air filter mode (for model B)

1. Turn off the air filter mode pressing and holding the Speed2 button for 5 seconds.

i While the air filter mode is active, when you turn on and off the product the air filter mode will continue to operate until elapsing 24 hours. To cancel, press and hold the speed 2 button for 5 seconds.

i While the air filter mode is active, the program will be cancelled if there is a blackout.

Filter full warning (for model B)

The warning lamp is blink after every 100 hours work. Clean the filter.

Warning lamp will not reset automatically after the cleaning.

Filter full warning will be reset with pressing any button and the lamp will turn off.

i When the hood gave filter full warning, the warning will not be reset if there is a blackout. When electricity is restored, the warning lamp will continue to give warning with flashing in red.

5 Maintenance and care

General information

Service life of the product will extend and frequent problems will decrease if the product is cleaned at regular intervals.

! Disconnect the product from mains supply before starting maintenance and cleaning works. There is the risk of electric shock!

- Clean the product thoroughly after each use. In this way it will be possible to remove cooking residues more easily, thus avoiding these from burning the next time the appliance is used.
- No special cleaning agents are required for cleaning the product. Use warm water with washing liquid, a soft cloth or sponge to clean the product and wipe it with a dry cloth.
- Do not use cleaning agents that contain acid or chloride to clean the stainless or inox surfaces and the handle. Use a soft cloth with a liquid detergent (not abrasive) to wipe those parts clean, paying attention to sweep in one direction.

i The surface might get damaged by some detergents or cleaning materials.

Do not use aggressive detergents, cleaning powders/creams or any sharp objects during cleaning.

i Do not use steam cleaners for cleaning.

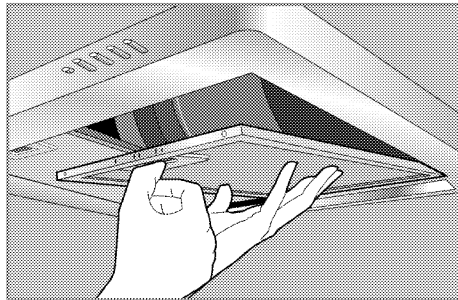
Aluminum filter

This filter captures oil particles in the air.

You are recommended to clean your filter once a month in normal use.

Please firstly remove aluminum filters for this process. Wash the filters in liquid-

detergent water and install them after drying. Aluminum filters might change colour in time due to washing. This is normal and you don't need to replace the filter.



i You can also wash aluminum filters in dishwasher.

Removing aluminum filters

1. Push aluminum filter lock forward.
2. Slightly lower the filter and pull forth. Otherwise, you may bend the filter.
3. After washing, reverse the steps above to re-install the aluminum filter.

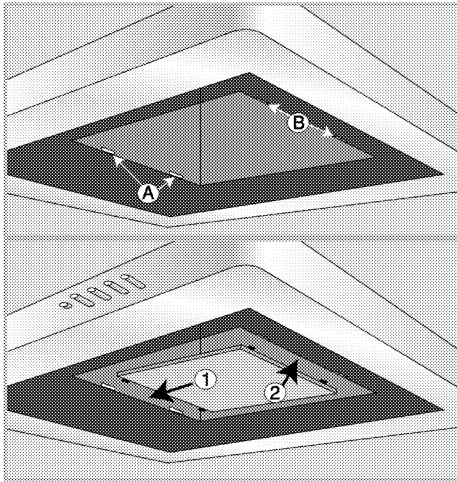
Carbon filter (Use without chimney)

i Carbon filter should never be washed.

It should be replaced once every 4 months in normal use. **You may obtain carbon filters from the Authorised Service.**

Fitting the carbon filter

1. Remove aluminum filters
2. After the filters are removed, insert the side with flexible-short tips of the carbon filter which provided with the product, into the slot A of the hood in direction 1.



3. Insert the long-hand tips found on the other side of the carbon filter into the slot B in direction 2.
4. Ensure that both ends of the carbon filter are secured firmly.

Replacing the lamp



Before replacing the lamp, make sure that the product is disconnected from mains in order to avoid the risk of an electrical shock. If hot, let the lamp cool down.

Hot surfaces may cause burns!



For the specifications of the lamp, see *Technical specifications*, page 10. Oven lamps can be obtained from Authorised Service Agents.



The hood lamp in this product can be changed by the user.



Position of lamp might vary from the figure.

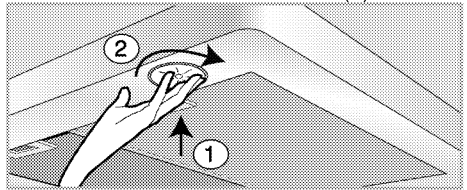


The lamp used in this appliance is not suitable for household room illumination. The intended purpose of this lamp is to assist the user to see foodstuffs.



Use only with self-shielded tungsten halogen lamps or self-shielded metal halide lamps.

1. Remove the lamp pressing it towards its seat in clockwise direction (1) and then remove turning it in counterclockwise direction (2).



2. Insert the new lamp turning it in clockwise direction.
3. A “click” will be heard when the lamp is secured in its place.

6 Troubleshooting

Product does not operate.

- The mains fuse is defective or has tripped. >>> *Check fuses in the fuse box. If necessary, replace or reset them.*
- Product is not plugged into the socket. >>> *Check the plug connection.*
- Speed button might not be set. >>> *Press the required speed button.*
- Power is cut. >>> *Check if there is power. Check the fuses in the fuse box. If necessary, replace or reset the fuses.*

Hood light does not work.

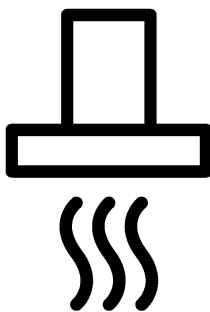
- Hood lamp is defective. >>> *Replace the hood lamp.*
- Power is cut. >>> *Check if there is power. Check the fuses in the fuse box. If necessary, replace or reset the fuses.*



Consult the Authorised Service Agent or the dealer where you have purchased the product if you cannot remedy the trouble although you have implemented the instructions in this section. Never attempt to repair a defective product yourself.



Haube
Gebrauchsanleitung



DE

Bitte zuerst diese Bedienungsanleitung lesen!

Sehr geehrte Kundin, sehr geehrter Kunde,
vielen Dank für den Kauf eines Beko-Produktes. Wir hoffen, dass dieses Produkt, das mit hochwertiger und hochmoderner Technologie hergestellt wurde, beste Ergebnisse erzielt. Daher bitte die gesamte Bedienungsanleitung und alle beiliegenden Dokumente aufmerksam durchlesen und zum zukünftigen Nachschlagen aufbewahren. Bei Weitergabe des Produktes auch die Bedienungsanleitung mit aushändigen. Alle Warnungen und Informationen in der Bedienungsanleitung einhalten. Bitte beachten, dass diese Bedienungsanleitung für unterschiedliche Modelle geschrieben wurde. Unterschiede zwischen den verschiedenen Modellen werden natürlich in der Anleitung erwähnt.

Die Symbole

In dieser Anleitung verwenden wir folgende Symbole:



Wichtige Informationen oder nützliche Tipps zum Gebrauch.



Warnung vor gefährlichen Situationen, in denen es zu Verletzungen oder Sachschäden kommen kann.



Warnung vor Stromschlägen.



Warnung vor Brandgefahr.



Warnung vor heißen Flächen.



Arçelik A.Ş.
Karaağaç caddesi No:2-6
34445 Sütlüce/Istanbul/TURKEY
Made in TURKEY

1 Wichtige Sicherheits- und Umwelthinweise 4

Sicherheit, allgemein.....	4
Elektrische Sicherheit.....	5
Gerätesicherheit.....	6
Bestimmungsgemäße Verwendung	8
Sicherheit von Kindern.....	8
Altgeräte entsorgen.....	9
Verpackungsmaterialien entsorgen	9

2 Allgemeine Informationen 10

Übersicht.....	10
Lieferumfang.....	10
Technische Daten	11

3 Installation 12

Installation.....	12
Transport.....	18

4 So bedienen Sie die Haube19

5 Reinigung und Wartung 21

Allgemeine Hinweise.....	21
Beleuchtung auswechseln.....	22

6 Problemlösung 23

1 Wichtige Sicherheits- und Umwelthinweise

Dieser Abschnitt enthält Hinweise, die für die Sicherheit des Benutzers und anderer Personen unerlässlich sind. Diese Hinweise müssen beachtet werden, damit es nicht zu Verletzungen oder Sachschäden kommt. Bei Nichteinhaltung dieser Anweisungen erlöschen sämtliche Garantieansprüche.

Sicherheit, allgemein

- Dieses Gerät darf von Kindern (ab acht Jahren) oder Personen bedient werden, die unter körperlichen, sensorischen oder geistigen Einschränkungen leiden oder denen es an der nötigen Erfahrung und Wissen im Umgang mit solchen Geräten mangelt, wenn solche Personen beaufsichtigt werden und, zuvor gründlich mit der sicheren Bedienung des Gerätes vertraut gemacht wurden und sich der damit verbundenen Gefahren voll und ganz bewusst sind. Kinder dürfen nicht mit dem Gerät spielen. Reinigungs- und Wartungsarbeiten dürfen

von Kindern nicht ohne Aufsicht eines Erwachsenen durchgeführt werden.

- **Vergiftungsgefahr!** Während das Gerät in Betrieb ist, wird die Luft im gesamten Haus angesogen. Falls keine angemessene Belüftung gewährleistet ist, werden durch Verbrennung freigesetzte Abluft und giftige Gase über den Abzug in das Haus zurückgesogen. Verwenden Sie das Gerät nicht gemeinsam mit Quellen, die giftige Gase ausstoßen und einen Luftzug schaffen können (Holz-, Gas-, Öl- und Kohleöfen, Warmwasserbereiter, Boiler, Kessel etc.).
- Lassen Sie die angemessene Belüftung und den Abzug in Ihrem Gebäude ausschließlich von qualifizierten Personen prüfen.
- Dieses Gerät darf nicht von Personen (einschließlich Kindern) mit eingeschränkten physischen, sensorischen oder geistigen Fähigkeiten bedient werden. Dies gilt auch für in Bezug auf das

Gerät unerfahrene Personen, sofern diese .

Kleine Kinder sollten beaufsichtigt werden, um sicherzustellen, dass sie nicht mit dem Gerät spielen.

Reinigung und

Wartungsverfahren sollten nicht von den Kindern durchgeführt werden, es sei denn, sie befinden sich unter Aufsicht.

- Installation und Reparaturen müssen grundsätzlich vom **autorisierten Kundendienst** ausgeführt werden. Der Hersteller haftet nicht für Schäden, die durch Aktivitäten nicht autorisierter Dritter entstehen.
- Nutzen Sie das Gerät nicht, falls es nicht ordnungsgemäß funktioniert oder sichtbare Beschädigungen aufweist.
- Vergessen Sie nicht, das Gerät nach jedem Gebrauch abzuschalten.
- Falls das Produkt an jemand anderen zur persönlichen oder Secondhand-Benutzung übergeben wird, sollten Bedienungsanleitung, Produktetiketten und andere relevante Dokumente und

Teile ebenfalls übergeben werden.

- Das Gerät muss von einer Fachkraft gemäß gültigen Bestimmungen installiert werden. Andernfalls erlischt die Garantie.

Elektrische Sicherheit

- Zur Inbetriebnahme Ihres Produktes müssen Sie zunächst Installationsort und elektrischen Anschluss vorbereiten. Anschließend können Sie den autorisierten Kundendienst in Ihrer Nähe anrufen.
- Falls das Produkt einen Fehler aufweist, sollte es bis zur Reparatur durch einen autorisierten Kundendienstmitarbeiter nicht in Betrieb genommen werden. Es besteht Stromschlaggefahr!
- Schließen Sie die Dunstabzugshaube nicht vor Abschluss der Installation an.
- Berühren Sie den Stecker niemals mit feuchten oder gar nassen Händen! Trennen Sie das Gerät nicht durch Ziehen am Kabel; greifen Sie immer am Stecker selbst.

- Bei Installation, Wartung, Reinigung und Reparatur muss das Gerät stets vollständig von der Stromversorgung getrennt sein.
- Falls das Netzkabel beschädigt wird, muss es unverzüglich durch den Hersteller, seinen Kundendienst oder durch eine ähnlich qualifizierte Fachkraft instandgesetzt werden, damit es nicht zu Gefährdungen kommt.
- Schließen Sie das Netzkabel niemals in der Nähe von Kochfeldern an. Falls das Kabel schmilzt, kann dies zu einem Brand führen.
- Arbeiten an Elektrogeräten und -anlagen dürfen nur von autorisierten Elektrofachkräften durchgeführt werden.
- Schalten Sie das Gerät bei Schäden aus, unterbrechen Sie die Stromversorgung. Schalten Sie dazu die Sicherung im Haus ab.
- Achten Sie darauf, dass die entsprechende Sicherung passend für das Gerät dimensioniert ist.

- Waschen Sie das Gerät niemals mit Wasser oder anderen Flüssigkeiten ab! Es besteht Stromschlaggefahr!

Gerätesicherheit

- Der Abstand zwischen der Unterseite der Haube und der Oberseite des Herds sollte mindestens 650 mm betragen.
- Berühren Sie das Leuchtmittel der Dunstabzugshaube niemals, nachdem es längere Zeit in Betrieb war. Heiße Lampen können Verbrennungen der Hände verursachen.
- Nehmen Sie das Gerät niemals ohne Ölfilter in Betrieb. Entfernen Sie die Filter niemals, während das Gerät in Betrieb ist.
- Vermeiden Sie hohe Flammen unter dem Gerät. Andernfalls können sich Partikel am Ölfilter entzünden und einen Brand verursachen.
- Schalten Sie Kochfelder erst ein, nachdem Sie Kochgeschirr darauf gestellt haben. Andernfalls kann die entstehende Hitze bestimmte Teile Ihres Gerätes verformen.

- Schalten Sie Kochfelder aus, bevor Sie das Kochgeschirr herunternehmen.
- Vermeiden Sie brennbare Materialien unter der Abzugshaube.
- Setzen Sie das Produkt keinen darunter befindlichen offenen Flammen aus. Andernfalls kann das im Filter angesammelte Öl Feuer fangen. Nehmen Sie das Gerät nicht ohne Filter in Betrieb.
- Lassen Sie das Kochgerät beim Braten niemals unbeaufsichtigt; das Öl könnte sich entflammen, erhitztes Öl kann Feuer fangen. Achten Sie entsprechend auf Kleidung und Vorhänge.
- Falls die Abzugshaube nicht regelmäßig und gründlich gereinigt wird, erhöht sich die Brandgefahr.
- Wenn Sie die Küchenluft von Gerüchen und Wrasen befreien möchten, lassen Sie Ihre Abzugshaube bitte 15 Minuten nach Beendigung des Kochens oder Bratens weiter arbeiten.
- Es sollte für ausreichend Belüftung des Raumes gesorgt werden, wenn die Dunstabzugshaube gleichzeitig mit Verbrennungseinrichtungen von Gas oder anderen Brennstoffen verwendet wird. (Gilt nicht für Geräte, die die Luft nur zurück in den Raum entweichen lassen)
- In der Einsatzumgebung der Abzugshaube muss der Ausstoß von Heizöl- oder Gasgeräten, wie bspw. Raumheizungen, vollständig isoliert sein, sofern es sich nicht ohnehin um ein hermetisches Gerät handelt.
- Falls sich ein Heizöl- oder Gasgerät in der Umgebung befindet, muss der Raum ausreichend gelüftet werden.
- Wenn ein nicht elektrisch betriebenes Gerät gemeinsam mit der Dunstabzugshaube am Einsatzort verwendet wird, darf der Unterdruck im Raum maximal 0,04 mbar betragen, damit die Abzugshaube die Abluft des anderen Gerätes nicht in den Raum zurückleitet.
- Verbinden Sie die Abzugshaube niemals mit Abzügen, die für Heizungen,

Abgase oder Stichflammen verwendet werden. Halten Sie die örtlichen Richtlinien zum Abziehen von Abluft ein.

- Verwenden Sie bei der Verbindung mit dem Abzug Rohre mit einem Durchmesser von 120 mm. Der Rohranschluss muss so kurz wie möglich sein und möglichst wenige Biegungen aufweisen.
- Hängen Sie keine leicht entflammaren und brennbaren Materialien an die Griffe der Abzugshaube.
- Unser Unternehmen haftet keinesfalls für Probleme, die aus einer Nutzung entgegen der obigen Warnungen hervorgehen.
- Es besteht Brandgefahr, wenn die Reinigung nicht gemäß den Anweisungen durchgeführt wird.
- Flambieren Sie nicht unter der Dunstabzugshaube.
- Vorsicht: Zugängliche Teile können bei Verwendung mit Kochgeräten heiß werden.
- Es wird empfohlen, den Filter bei normalem Gebrauch einmal pro Monat zu reinigen.

Bestimmungsgemäße Verwendung

Dieses Gerät wurde für den reinen Hausgebrauch entwickelt. Eine gewerbliche Nutzung ist nicht zulässig. Für Schäden, die durch unsachgemäßen Gebrauch oder falsche Bedienung verursacht werden, haftet der Hersteller nicht.

Sicherheit von Kindern

- Halten Sie Kinder im Betrieb vom Produkt fern, lassen Sie sie nicht mit dem Produkt spielen.
- Verpackungsmaterialien können für Kinder gefährlich werden. Bewahren Sie Verpackungsmaterial an einem für Kinder unzugänglichen Ort auf. Entsorgen Sie Verpackungsmaterial gemäß Ihren örtlichen Entsorgungsvorschriften.
- Elektrogeräte können grundsätzlich eine Gefahr für Kinder darstellen. Halten Sie Kinder im Betrieb vom Produkt fern, lassen Sie sie nicht mit dem Produkt spielen.

Altgeräte entsorgen

Erfüllung von WEEE-Vorgaben zur Entsorgung von Altgeräten:



Dieses Produkt erfüllt die Vorgaben der EU-WEEE-Direktive (2012/19/EU). Das Produkt wurde mit einem Klassifizierungssymbol für elektrische und elektronische Altgeräte (WEEE) gekennzeichnet.

Dieses Gerät wurde aus hochwertigen Materialien hergestellt, die wiederverwendet und recycelt werden können. Entsorgen Sie das Gerät am Ende seiner Einsatzzeit nicht mit dem regulären Hausmüll; geben Sie es stattdessen bei einer Sammelstelle zur Wiederverwertung von elektrischen und

elektronischen Altgeräten ab. Ihre Stadtverwaltung informiert Sie gerne über geeignete Sammelstellen in Ihrer Nähe.

Einhaltung von RoHS-Vorgaben:

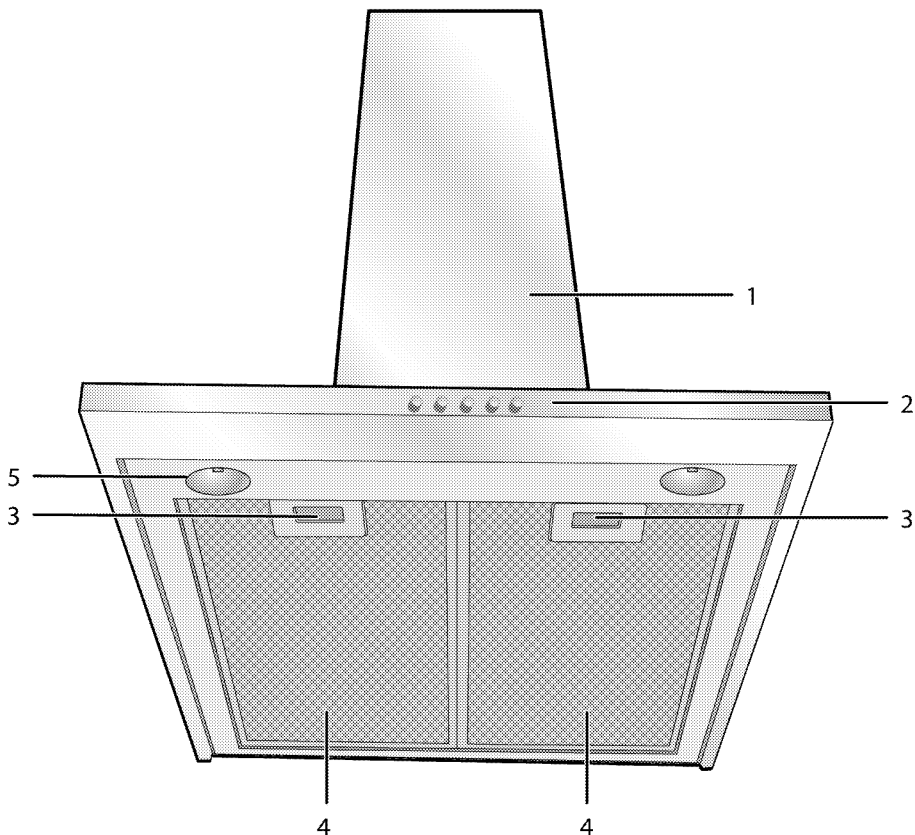
Das von Ihnen erworbene Produkt erfüllt die Vorgaben der EU-RoHS Direktive (2011/65/EU). Es enthält keine in der Direktive angegebenen gefährlichen und unzulässigen Materialien.

Verpackungsmaterialien entsorgen

- Die Verpackung des Gerätes besteht aus wiederverwertbaren Materialien. Entsorgen Sie diese vorschriftsgemäß und entsprechend sortiert. Entsorgen Sie solche Materialien nicht mit dem normalen Hausmüll.

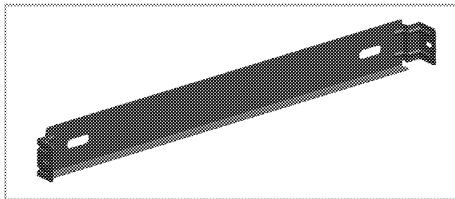
2 Allgemeine Informationen

Übersicht

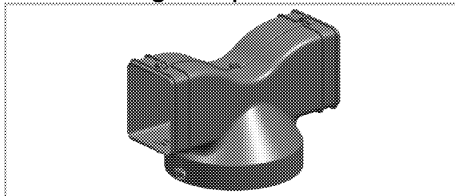


- 1 Haube
- 2 Bedienfeld
- 3 Aluminiumfiltersperre
- 4 Aluminiumfilter
- 5 Leuchte

- 1. Bedienungsanleitung
- 2. Wandanschluss



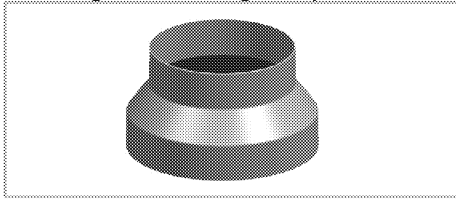
- 3. Luftführungskomponente



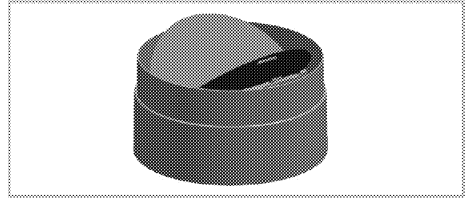
Lieferumfang

i Je nach Modell wird eventuell unterschiedliches Zubehör mitgeliefert. Daher kann es vorkommen, dass nicht sämtliches in der Anleitung erwähntes Zubehör mit Ihrem Gerät geliefert wird.

4. Abzugsverbindungsadapter



5. Ventile zur Verhinderung eines Rückstroms



Technische Daten

Einbaumaße (Höhe/Breite/Tiefe)	min. 760 mm - max. 927 mm/898 mm/490 mm
Spannung/Frequenz	220-240 V~1N 50 Hz
Bedienung	3 Ebene + Booster
Saugleistung	730 m ³ /h
Leistungsaufnahme gesamt	max. 300 W
Durchmesser Abluftrohr	120 - 150 mm
BELEUCHTUNG	
Lampentyp	LED
Leistungsaufnahme Beleuchtung	3 W
Max. Leistung einer möglichen Ersatzlampe	max. 2 x 4 W.LED /max. 2 x 28 W.Halogen
Spannung/Frequenz der Lampe	230 V~; 50/60 Hz
Art der Lampenkappe	GU10
Durchmesser/Länge der Lampe	50 mm /55 mm

i Im Zuge der Qualitätsverbesserung können sich technische Daten ohne Vorankündigung ändern.

i Die Abbildungen in dieser Anleitung dienen lediglich der Veranschaulichung und können etwas vom tatsächlichen Aussehen des Gerätes abweichen.

i Am Produkt oder in der begleitenden Dokumentation angegebene Werte wurden gemäß zutreffenden Richtlinien unter Laborbedingungen ermittelt. Solche Werte können je nach Einsatzumgebung und Nutzungsweise des Gerätes abweichen.

3 Installation

Lassen Sie das Gerät vom autorisierten Kundendienst in Ihrer Nähe installieren. Sorgen Sie dafür, dass die nötigen Elektroanschlüsse bereits vorbereitet sind, bevor Sie das Gerät durch den autorisierten Kundendienst betriebsbereit machen lassen. Falls noch etwas zu tun ist, wenden Sie sich an einen guten Elektriker oder Installateur und lassen die entsprechenden Vorbereitungen ausführen.

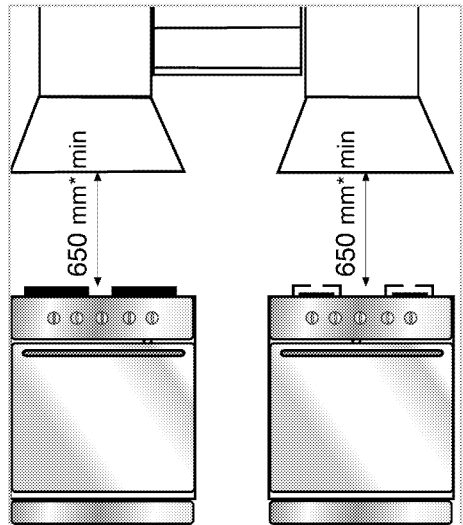
i Die Vorbereitung des Installationsortes und des Elektroanschlusses ist Sache des Kunden.

! Die Installation des Gerätes muss in Übereinstimmung mit sämtlichen zutreffenden Vorschriften zur Elektroinstallation erfolgen.

! Schauen Sie sich das Gerät vor der Installation gut an, überzeugen Sie sich davon, dass es keine sichtbaren Defekte aufweist. Falls doch, darf es nicht installiert werden. Beschädigte Geräte müssen grundsätzlich als Sicherheitsrisiko betrachtet werden.

! Warnung: Nicht oder nicht gemäß den Anweisungen angebrachte Schrauben oder Befestigungssysteme können zu Stromschlag führen.

Installation



* min.

Der Abstand zwischen der Oberseite des Kochfeldes und der Unterseite der Dunstabzugshaube muss mindestens 650 mm betragen.

Die über die Dunstabzugshaube abgesogene Luft darf nicht an einen Abzug geleitet werden, der von anderen gas- oder treibstoffbetriebenen Geräten verwendet wird. (Dies gilt nicht für Geräte, die die Luft nur zurück in den Raum entweichen lassen)

Elektrischer Anschluss

Dieses Gerät, das mit einem dualen Starkstromkabel hergestellt wurde, muss mit einem elektrischen Schalter mit mindestens 3 mm Abstand zwischen den zweipoligen Kontaktleitungen an das Stromnetz angeschlossen werden. Lassen Sie den elektrischen Anschluss von einem qualifizierten Elektriker durchführen.

- Installieren Sie das Gerät so, dass der Stromanschluss (Stecker, Steckdose)

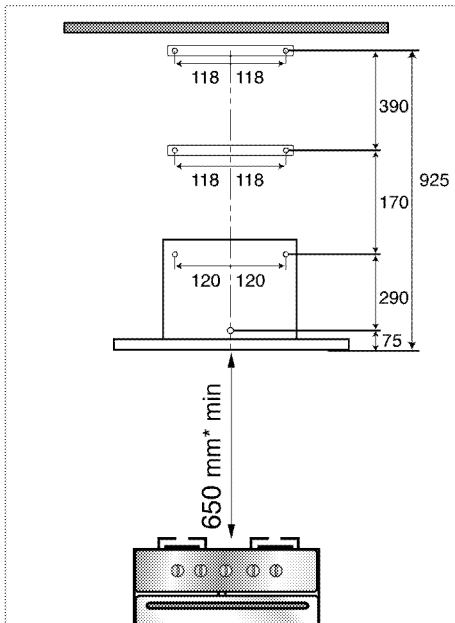
nach der Installation leicht erreichbar ist.

Installation der Haube

i Abmessungen werden in mm angegeben.

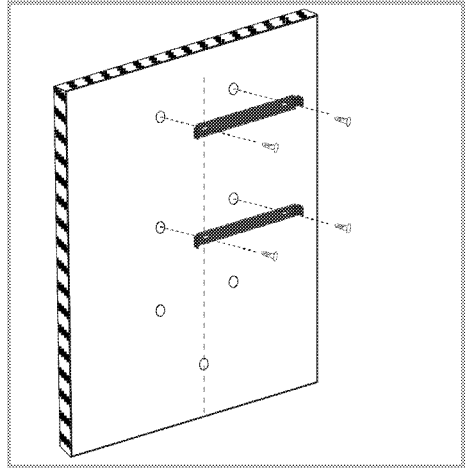
Nachstehend finden Sie die erforderlichen Informationen zur Vorbereitung des Installationsortes der Dunstabzugshaube.

Die Haube muss über der Mittelachse des Herds installiert werden. Der Abstand zwischen der Oberseite des Kochfeldes und der Unterseite der Dunstabzugshaube muss mindestens 650 mm betragen. Führen Sie die folgenden Schritte zur Installation des Gerätes aus.



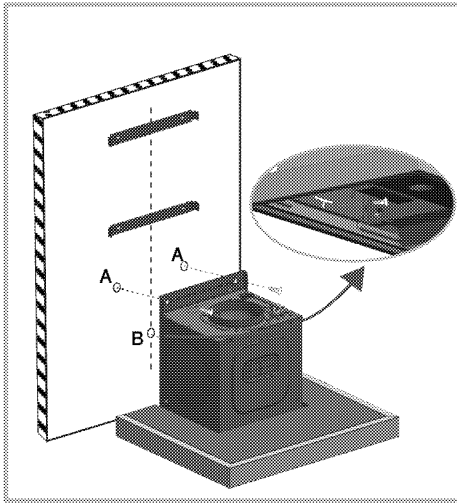
1. Zentrieren Sie den Herd, zeichnen Sie eine Achsenlinie, die die in der obigen Abbildung gezeigte Höhe hat. Nehmen Sie dann diese Achsenlinie als Referenz und bohren Sie zum mitgelieferten Befestigungsmaterial passende Löcher gemäß den obigen Maßangaben.

2. Setzen Sie nun die mitgelieferten Plastikdübel in diese Löcher ein. Prüfen Sie, ob die Abzugsanschlüsse mit diesen Löchern übereinstimmen.

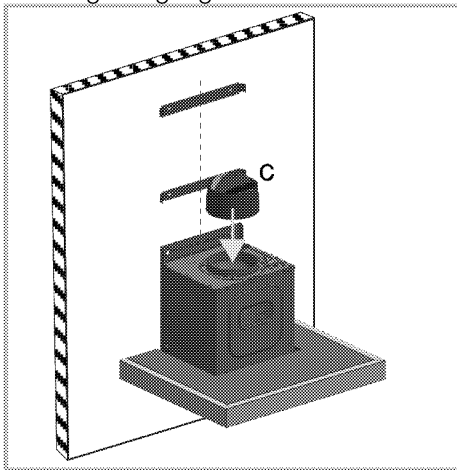


3. Befestigen Sie die Wandhalterungen wie oben abgebildet mit zwei im Zubehör enthaltenen Befestigungsschrauben in den entsprechenden Löchern.

4. Befestigen Sie die Dunstabzugshaube an der Wand, indem Sie sie über die A-Löcher zentrieren. Entfernen Sie die Aluminiumfilter der Dunstabzugshaube. Befestigen Sie wie nachstehend abgebildet an der Innenseite die Rückplatte der Dunstabzugshaube mit einer Schraube über das Loch B. Stellen Sie sicher, dass die Dunstabzugshaube bei Befestigung parallel zur Arbeitsplatte ausgerichtet ist.

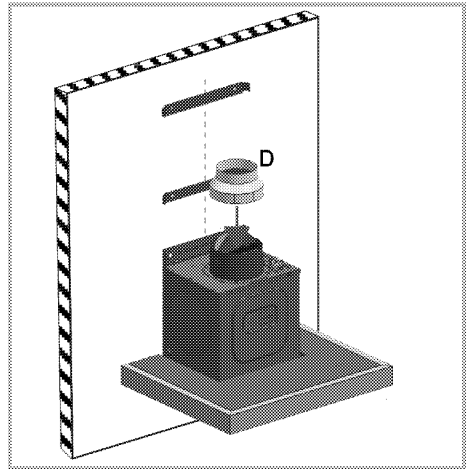


5. Befestigen Sie wie unten abgebildet die Abdeckung (C), die einen umgekehrten Luftstrom verhindert, am Abzugsausgang.



6. Für die Verwendung eines Abzugsrohranschlusses:

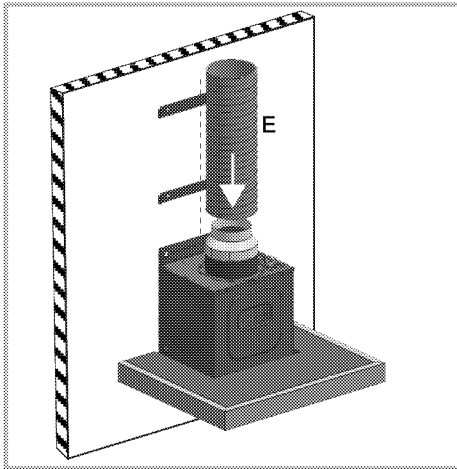
Im Abluftbetrieb passiert die absorbierte Luft die Aluminiumfilter und wird über das Abzugsrohr nach draußen befördert.



Bei dieser Variante wird wie in der obigen Abbildung gezeigt der Abzugsverbindungsadapter D an Teil C platziert.

i Der Abzugsverbindungsadapter D wird nur verwendet, wenn der Durchmesser des Abzugsverbindungsrohrs mehr als 120 mm beträgt. Falls der Durchmesser Ihres Abzugsverbindungsrohrs 150 mm beträgt, müssen Sie den Abzugsverbindungsadapter D nicht verwenden, sondern können ein Ende des Abzugsverbindungsrohrs E direkt mit Abdeckung C verbinden.

7. Verbinden Sie ein Ende des Abzugsverbindungsrohrs E mit dem Abzugsverbindungsadapter und platzieren Sie das andere Ende am Abzug. Sie erhalten das Abzugsverbindungsrohr E beim autorisierten Kundendienst oder im Handel.

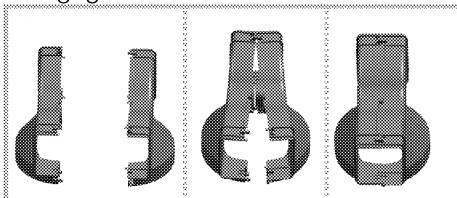


Die verwendeten Abzugsrohre müssen aus feuerfestem Kunststoff sein. Wenn Sie ein flexible Anschlussrohr verwenden, sollte beachtet werden, dass enge Biegungen und plötzliche Kontraktionen die Saugleistung beeinträchtigen können. Die Haube darf niemals an einen Abzug angeschlossen werden, mit dem bereits ein anderes Gerät verbunden ist.

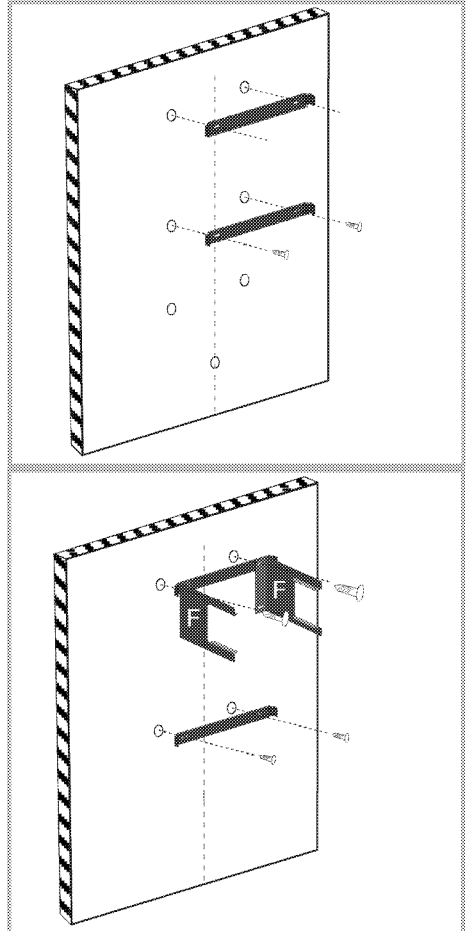
i Das Abzugsrohr darf nicht größer als 120-150 mm sein, andernfalls wird ein einwandfreier Abzug verhindert.

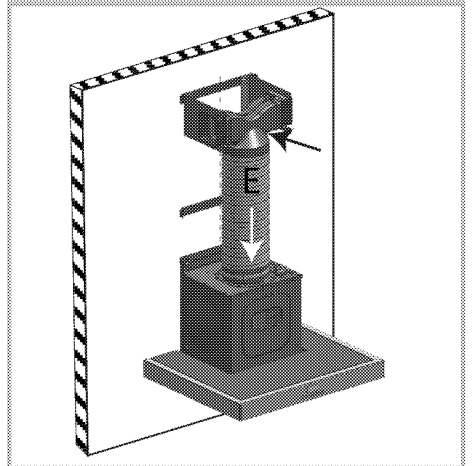
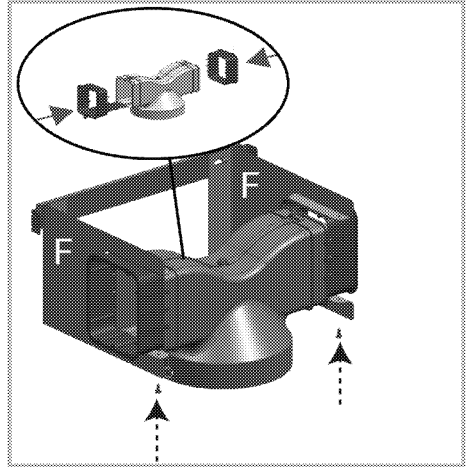
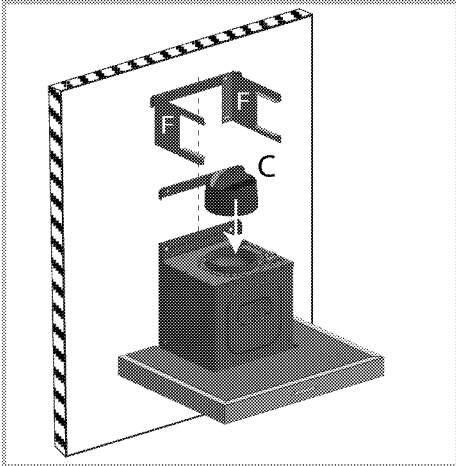
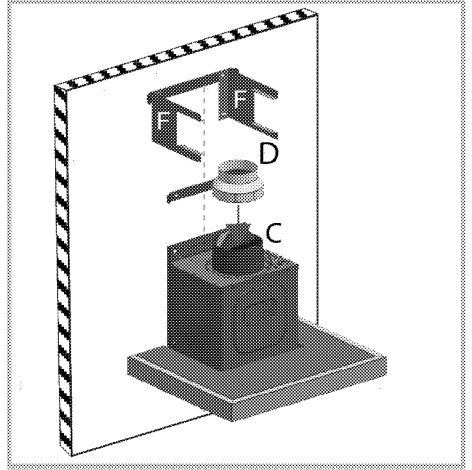
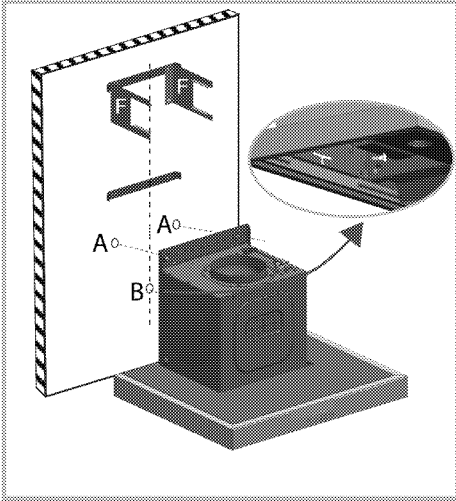
8. Interner Kreislauf (Einsatz mit Kohlefilter)

Beim Umluftbetrieb passiert die aus dem Raum absorbierte Luft durch die Luftleitkomponenten Aluminium- und Kohlefilter, die Gerüche beseitigen, und wird anschließend über die Belüftungsgitter an der Seite der Haube wieder in den Raum abgegeben.

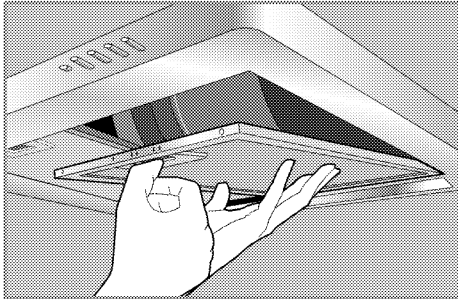


Montieren Sie die in zwei Teilen gelieferte Luftleitkomponente wie nachstehend abgebildet. Bitte beachten Sie zum Einsatz ohne Kamin die folgenden Schritte. Das Kaminverbindungsrohr E sowie die Verbindungselemente F erhalten Sie vom autorisierten Kundendienst oder im freien Handel.

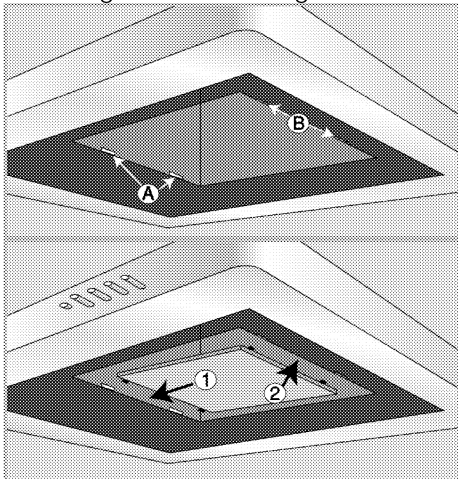




9. Aluminiumfilter wie unten dargestellt entfernen.



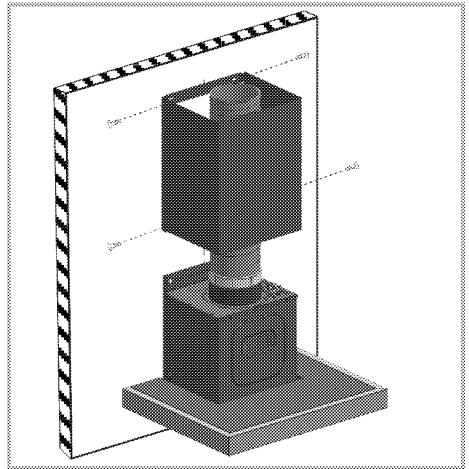
10. Installieren Sie den Kohlefilter wie in der folgenden Abbildung beschrieben.



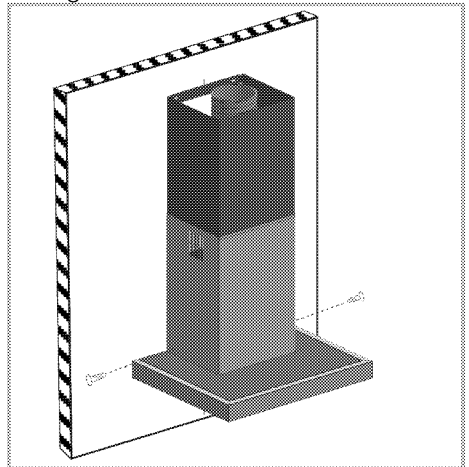
Setzen Sie die Aluminiumfilter wieder ein.

11. Installation des Abzugs

Installieren Sie den oberen Abzug, indem Sie dessen obere Ecken auf dem oberen Wandanschluss platzieren und den Abzug wie nachstehend abgebildet mit Schrauben am Wandanschluss befestigen.



Um den unteren Abzug zu installieren, ziehen Sie den Abzug leicht an beiden Seiten und befestigen ihn wie oben dargestellt an den oberen Stiften des Abzugs.




Befestigen Sie ihn über die beiden Löcher an den unteren Ecken des unteren Abzugs mit der Haube.

Sie können die Dunstabzugshaube auf zwei verschiedene Arten verwenden:

1- Verwendung mit Abzugsanschluss

Die Dünste werden durch das Abzugsrohr entfernt, das am Anschlussring an der Dunstabzugshaube befestigt wird. Der Durchmesser des Abzugsrohrs sollte dem des Anschlussrings entsprechen. Damit die Luft bei horizontaler Ausrichtung der Leitung gut aus dem Raum abgesaugt werden kann, sollte die Leitung leicht aufsteigend angebracht werden (rund 10 °).

-  Falls ein Kohlefilter in Ihrer Dunstabzugshaube installiert ist, muss er zur Verwendung der Haube mit dem Abzug entfernt werden.

2- Verwendung ohne Abzugsanschluss


Die Luft wird durch den Kohlefilter gereinigt und in den Raum zurückgegeben. Der Kohlefilter wird benutzt, wenn kein Abzug im Haus


vorhanden ist oder das Abzugsrohr nicht installiert werden kann.

- Installieren Sie den Kohlefilter wie im Abschnitt zur Installation beschrieben.

Transport

- Bewahren Sie den Originalkarton auf, falls Sie das Gerät künftig transportieren müssen. Halten Sie sich an die Hinweise auf dem Karton. Falls Sie den Originalkarton nicht mehr besitzen sollten, verpacken Sie das Gerät in Luftpolsterfolie oder starkem Karton, anschließend gut mit Klebeband sichern.

-  Legen Sie keine Gegenstände auf dem Gerät ab, bewegen Sie das Gerät grundsätzlich in aufrechter Position.

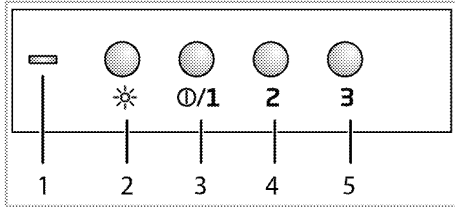
-  Schauen Sie sich das Gerät nach dem Transport gut an, überzeugen Sie sich davon, dass es nicht zu Beschädigungen gekommen ist.

4 So bedienen Sie die Haube

Die Haube ist mit einem Motor mit verschiedenen Geschwindigkeitsstufen ausgestattet.

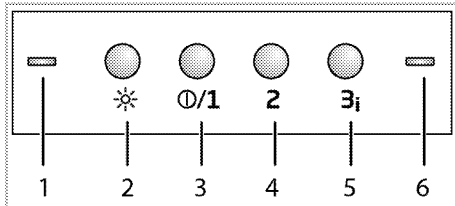
Für eine optimale Leistung empfehlen wir Ihnen die niedrige Stufe unter normalen Bedingungen und die hohe Geschwindigkeit bei einer verstärkten Geruchs- und Rauchentwicklung.

MODELL A



- 1 Stufenwarnleuchte
- 2 Beleuchtungstaste
- 3 Ein-/Austaste
- 4 Geschwindigkeit 2
- 5 Geschwindigkeit 3

MODELL B



- 1 Stufenwarnleuchte
- 2 Beleuchtungstaste
- 3 Ein-/Austaste
- 4 Geschwindigkeit 2
- 5 Geschwindigkeit 3/Turbo
- 6 Warnleuchte

So bedienen Sie die Haube

1. Zum Einschalten der Haube, betätigen Sie die Ein-/Austaste.
2. Um die Geschwindigkeit zu ändern, drücken Sie die Tasten Geschwindigkeit 2 und Geschwindigkeit 3.

i Drücken Sie niemals auf zwei Tasten gleichzeitig. Wenn dies geschieht, wird die höhere Geschwindigkeitsstufe aktiviert.

i Wenn keine Tasten betätigt werden, arbeitet das Gerät länger als 6 Stunden.

Stufenanzeige Warnleuchte

Ein- und Ausschalten (Geschwindigkeit

1) Grün

Geschwindigkeit 2: Orange

Geschwindigkeit 3: Rot

Turbo: Rot (ständiges Blinken in 0,5 Sek.)

Automatische Abschaltung (für A und B)

1. Halten Sie in einem beliebigen Betriebsmodus die Stufentasten 2 und 3 mindestens 2 Sekunden lang gedrückt. Die automatische Abschaltung ist aktiv, die Stufenanzeige blinkt in der Farbe der eingestellten Stufe.
2. Das Gerät arbeitet 20 Minuten lang mit der eingestellten Stufe und schaltet sich anschließend automatisch ab.

i Beim Betätigen einer beliebigen Taste (mit Ausnahme der Beleuchtungstaste) wird die automatische Abschaltung aufgehoben.

Aktivierung des intensiven Belüftungsmodus (Turbo) (für Modell B)

Halten Sie die Taste Geschwindigkeit 3 mehr als zwei Sekunden lang gedrückt. Der intensive Belüftungsmodus wird aktiviert und bleibt für maximal 10 Minuten aktiv.

Nach 10 Minuten wird er in Geschwindigkeit 3 übergehen.

i Bei intensiver Lüftung leuchtet die Warnleuchte für Stufe 1 auf.

Bei intensiver Lüftung wird der Betrieb bei der Geschwindigkeit fortgesetzt, die per Taste ausgewählt wurde.

Haube abschalten

1. Drücken Sie auf den Ausschalter, wenn die Haube in einer bestimmten Geschwindigkeit läuft.

Beleuchtung bedienen

1. Drücken Sie auf die Leuchtentaste um die Leuchte zu bedienen.

Haube abschalten

1. Drücken Sie erneut auf die Leuchtentaste um die Leuchte auszuschalten.

i Der Aus-Schalter schaltet nicht die Lampe aus, sondern bricht den Lüftungsbetrieb ab.

Luftfiltermodus (für Modell B)

1. Halten Sie die Taste Geschwindigkeit 2 mehr als 5 Sekunden lang gedrückt.
» Der Luftfiltermodus wird aktiviert.

Warnleuchte (6) wird in orange aufleuchten.

2. Der Luftfiltermodus wird für 10 Minuten auf Geschwindigkeit 1 betrieben und stoppt dann innerhalb 1 Stunde für 50 Minuten. Wenn der Luftfiltermodus nicht abgeschaltet wird, läuft er 10 Minuten lang weiter und stoppt innerhalb von 24 Stunden jede Stunde 50 Minuten lang.

i Sie können den Luftfiltermodus bei niedriger Geschwindigkeit zum langsamen Entfernen von Haushaltsgerüchen benutzen.

Luftfiltermodus abschalten (für Modell B)

1. Schalten Sie den Luftfiltermodus ab und halten Sie die Taste Geschwindigkeit 2 5 Sekunden lang gedrückt.

i Wenn der Luftfiltermodus aktiv ist, läuft der Luftfilter für 24 Stunden weiter, wenn Sie das Produkt an- und ausschalten. Zum Abbrechen, halten Sie die Taste Geschwindigkeit 2 5 Sekunden lang gedrückt.

i Wenn der Luftfiltermodus aktiv ist, wird das Programm im Falle eines Stromausfalls abgebrochen.

Filter voll Warnung (für Modell B)

Alle 100 Betriebsstunden beginnt die Stufenanzeige zu blinken. Reinigen des Filters. Die Warnleuchte wird nach dem Reinigen nicht automatisch zurückgesetzt.

Die Warnung bei vollem Filter wird durch Drücken auf jede beliebige Taste zurückgesetzt und die Leuchte wird abgeschaltet.

i Wenn die Haube eine Warnung wegen vollen Filters gegeben hat, wird diese bei einem Stromausfall nicht zurückgesetzt. Wenn der Strom wieder da ist, wird die Warnleuchte weiter rot aufleuchten.

5 Reinigung und Wartung

Allgemeine Hinweise

Durch regelmäßiges Reinigen verlängern Sie die Lebenserwartung Ihres Gerätes und beugen Fehlfunktionen vor.

! Trennen Sie das Gerät von der Stromversorgung, bevor Sie es reinigen oder pflegen.

Es besteht Stromschlaggefahr!

- Reinigen Sie das Gerät nach jedem Einsatz gründlich. Dadurch lassen sich Speisereste leichter entfernen und können sich beim nächsten Einsatz des Ofens nicht einbrennen.
- Zur Reinigung benötigen Sie keine Spezialreiniger. Verwenden Sie am besten warmes Wasser mit etwas herkömmlichem Reiniger, ein weiches Tuch oder einen Schwamm. Anschließend mit einem Tuch trocknen.
- Verzichten Sie auf Reinigungsmittel, die Säuren oder Chlor enthalten, wenn Sie Edelstahl und Griffe reinigen. Reinigen Sie diese Teile mit einem weichen Tuch und etwas Flüssigreiniger (kein Scheuermittel); wischen Sie dabei am besten nur in eine Richtung.

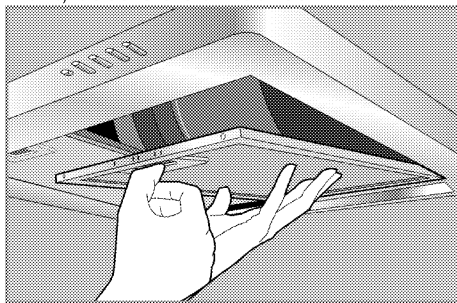
i Durch bestimmte Reiniger und Hilfsmittel können die Oberflächen des Gerätes beschädigt werden. Verwenden Sie keine aggressiven Reinigungsmittel, keine Scheuermittel und keine scharfen oder spitzen Gegenstände bei der Reinigung.

i Verzichten Sie auf Dampfreiniger.

Aluminiumfilter

Dieser Filter filtert Ölpartikel aus der Luft. Es wird empfohlen, den Filter bei

normalem Gebrauch einmal pro Monat zu reinigen. Bitte entfernen Sie für diesen Vorgang zuerst die Aluminiumfilter. Waschen Sie die Filter mit flüssigem Spülmittel und Wasser und setzen Sie sie nach dem Trocknen wieder ein. Die Farbe der Aluminiumfilter kann aufgrund von häufigem Waschen verblassen. Das ist normal und bedeutet nicht, dass Sie sie wechseln müssen.



i Die Aluminiumfilter sind spülmaschinenfest.

Aluminiumfilter entfernen

1. Drücken Sie die Sperre des Aluminiumfilters nach vorne.
2. Drücken Sie den Filter leicht nach unten und ziehen Sie ihn nach vorn. Ansonsten könnten Sie den Filter biegen.
3. Gehen Sie nach der Reinigung in umgekehrter Reihenfolge vor, um den Aluminiumfilter wieder einzusetzen.

Kohlefilter (Verwendung ohne Abzug)

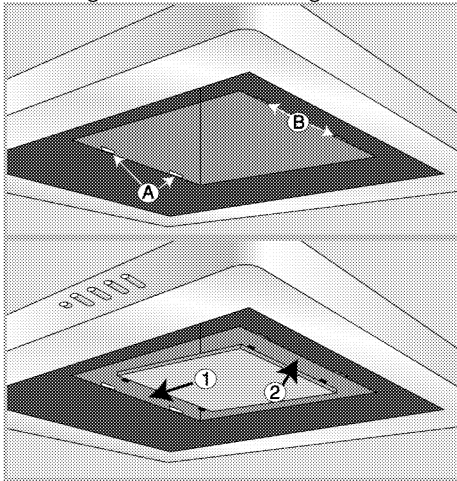
i Kohlefilter dürfen unter keinen Umständen gewaschen werden.

Er sollte bei normalem Gebrauch alle 4 Monate ausgewechselt werden. Sie können die Kohlefilter von einem autorisierten Servicedienst beziehen.

Kohlefilter einsetzen

1. Aluminiumfilter entfernen

2. Nachdem die Filter entfernt sind, setzen Sie die Seite mit den mitgelieferten, kurzen flexiblen Enden des Kohlefilters in Schlitz A der Abzugshaube in Richtung 1 ein.



3. Setzen Sie die langen, harten Enden auf der anderen Seite des Kohlefilters in Schlitz B in Richtung 2 ein.
4. Vergewissern Sie sich, dass beide Enden des Kohlefilters sicher geschlossen sind.

Beleuchtung auswechseln

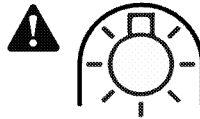
! Bevor Sie die Beleuchtung auswechseln, sorgen Sie dafür, dass das Gerät vollständig von der Stromversorgung getrennt ist; ansonsten droht Verbrennungs- und Stromschlaggefahr. Wenn die Leuchte heiß ist, lassen Sie Sie abkühlen.
Verbrennungsgefahr durch heiße Flächen!

i Die Haubenlampe in diesem Produkt kann vom Benutzer ausgetauscht werden.

i Spezifikationen zur Leuchte finden Sie in *Technische Daten, Seite 11*. Passende Leuchtmittel erhalten Sie beim autorisierten Kundendienst.

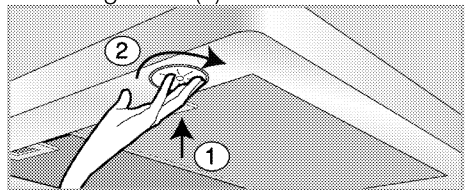
i Die Position der Leuchte kann etwas von der Abbildung abweichen.

i Die in diesem Gerät verwendete Lampe ist nicht zur Raumbelichtung geeignet. Der vorgesehene Zweck dieser Lampe besteht darin, dass der Nutzer Lebensmittel besser sehen kann.



Nur mit selbst geschirmten Wolfram-Halogenlampen oder selbst geschirmten Metallhalogenidlampen.

1. Zum Ausbau der Lampe drücken Sie diese leicht in das Gehäuse (1). Anschließend nehmen Sie die Lampe durch Drehen gegen den Uhrzeigersinn (2) heraus.



2. Schrauben Sie die neue Lampe im Uhrzeigersinn ein.
3. Ein Klicken ist zu hören, wenn die Lampe richtig sitzt.

6 Problemlösung

Das Gerät funktioniert nicht.

- Die Sicherung ist durchgebrannt oder hat ausgelöst. >>> *Kontrollieren Sie die Sicherungen im Sicherungskasten. Bei Bedarf austauschen oder zurücksetzen.*
- Das Gerät ist nicht richtig an die Steckdose angeschlossen. >>> *Überprüfen Sie den Anschluss.*
- Die Geschwindigkeit kann nicht eingestellt werden. >>> *Drücken Sie die erforderliche Geschwindigkeitstaste.*
- Die Stromversorgung wurde unterbrochen. >>> *Überprüfen Sie die Stromversorgung. Kontrollieren Sie die Sicherungen im Sicherungskasten. Sicherungen bei Bedarf austauschen oder zurücksetzen.*

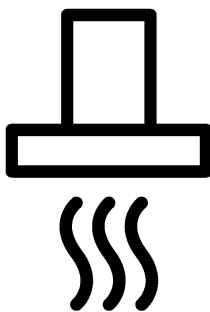
Die Beleuchtung der Dunstabzugshaube funktioniert nicht.

- Das Leuchtmittel ist defekt. >>> *Ersetzen Sie das Leuchtmittel.*
- Die Stromversorgung wurde unterbrochen. >>> *Überprüfen Sie die Stromversorgung. Kontrollieren Sie die Sicherungen im Sicherungskasten. Sicherungen bei Bedarf austauschen oder zurücksetzen.*

i Falls sich ein Problem nicht mit den obigen Hinweisen lösen lassen sollte, wenden Sie sich bitte an den autorisierten Kundendienst oder an den Händler, bei dem Sie das Gerät gekauft haben. Versuchen Sie niemals, ein defektes Gerät selbst zu reparieren.



Hotte murale
Manuel d'utilisation



FR

Avant de commencer, merci de bien vouloir lire ce manuel d'utilisation !

Chère cliente, cher client,

Nous vous remercions d'avoir porté votre choix sur un produit Beko. Nous espérons que vous tirerez le meilleur parti de votre produit, qui a été fabriqué dans des usines de pointe avec des matériaux de qualité. C'est pourquoi nous vous prions de lire attentivement le présent manuel et tous les autres documents connexes dans leur intégralité avant d'utiliser le produit et de les conserver. Si vous cédez l'appareil à une tierce personne, n'oubliez pas de lui fournir le Manuel d'utilisation. Respectez tous les avertissements et informations contenus dans le manuel d'utilisation.

Souvenez-vous que ce Manuel d'utilisation s'applique également à plusieurs autres modèles. Les différences entre les modèles seront identifiées dans le manuel.

Explication des symboles

Vous trouverez les symboles suivants dans ce Manuel d'utilisation :



Informations importantes ou astuces utiles d'utilisation.



Avertissement de situations dangereuses relatives à la santé et aux biens.



Avertissement de risque de choc électrique.



Avertissement de risque d'incendie.



Avertissement de surfaces brûlantes.



Arçelik A.Ş.
Karaağaç caddesi No:2-6
34445 Sütlüce/Istanbul/TURKEY

1 Instructions importantes et mises en garde relatives à la sécurité et à l'environnement **4**

Sécurité générale	4
Sécurité électrique.....	5
Sécurité du produit.....	6
Utilisation prévue.....	8
Sécurité des enfants.....	8
Mise au rebut de l'ancien appareil.....	8
Elimination des emballages	9

2 Généralités **10**

Aperçu	10
Contenu de la livraison.....	10
Caractéristiques techniques.....	11

3 Installation **12**

Installation.....	12
Déplacement ultérieur	18

4 Fonctionnement de la hotte **19**

5 Maintenance et entretien **21**

Généralités.....	21
Remplacement de l'ampoule.....	22

6 Recherche et résolution des pannes **23**

1 Instructions importantes et mises en garde relatives à la sécurité et à l'environnement

Ce chapitre contient les instructions de sécurité qui vous aideront à éviter les risques de blessure corporelle ou de dégâts matériels. Le non respect de ces instructions entraînera l'annulation de toute garantie.

Sécurité générale

- Cet appareil peut être utilisé par des enfants de 8 ans et plus et des personnes aux capacités physiques, sensorielles ou mentales réduites ou des personnes dénuées d'expérience ou de connaissance si elles ont pu bénéficier d'une surveillance ou d'instructions concernant l'utilisation de l'appareil en toute sécurité et comprennent les risques encourus. Les enfants ne doivent pas jouer avec l'appareil. Le nettoyage et l'entretien ne doivent pas être effectués par un enfant sans surveillance.

• Risque d'intoxication !

Lorsque l'appareil fonctionne, il aspire l'air de la maison. Si une ventilation appropriée n'est pas effective, alors les déchets et les gaz toxiques

libérés lors de la combustion seront ramenés dans la maison à travers le tirage de la cheminée. Évitez de faire fonctionner simultanément, l'appareil et les sources susceptibles d'émettre des gaz toxiques et créer un tirant d'air (réchauds à bois, gaz, pétrole, charbon, chauffe-eau, bouilloires etc.)

- Veuillez toujours contacter un personnel agréé pour vérifier l'efficacité de la ventilation et le tirage de la cheminée dans votre maison.
- Cet appareil n'est pas destiné à être utilisé par des personnes (enfants inclus) dont les capacités physiques, sensorielles ou intellectuelles sont réduites ou bien manquant d'expérience et de connaissances à moins d'avoir été .

Les jeunes enfants doivent être surveillés pour s'assurer qu'ils ne jouent pas avec l'appareil. En outre, les procédures de nettoyage et d'entretien utilisateur ne doivent pas être mises à exécu-

tion par des enfants, à moins d'opérer sous la surveillance d'un adulte.

- Veillez toujours à ce que les procédures d'installation et de réparation soient effectuées par **un technicien agréé**. Le fabricant se sera pas tenu pour responsable des dégâts consécutifs à des procédures réalisées par des personnes non autorisées.
- Ne faites pas fonctionner l'appareil s'il est défectueux ou présente des dégâts visibles.
- Vérifiez que l'appareil est éteint après chaque utilisation.
- Si l'appareil est confié à une autre personne pour usage personnel ou vendu en seconde main, assurez-vous qu'il est toujours accompagné du manuel d'utilisation, des étiquettes, de tout autre document pertinent et des pièces.
- Le produit doit être installé par une personne qualifiée conformément à la réglementation en vigueur. Dans le cas contraire, la garantie n'est pas valable.

Sécurité électrique

- Afin de rendre votre appareil opérationnel, vous devez d'abord préparer un espace d'installation et le câblage électrique. Ensuite, vous pourrez contacter le service agréé le plus proche de chez vous.
- Si l'appareil est en panne, ne l'utilisez pas avant qu'il ne soit réparé par un technicien agréé. Vous risqueriez un choc électrique !
- Ne branchez jamais la hotte avant la fin de son installation.
- Il est interdit de toucher la prise avec des mains mouillées ! Ne débranchez jamais l'appareil en tirant sur le cordon ; tenez toujours la fiche pour débrancher.
- L'appareil doit être déconnecté du secteur pendant les procédures d'installation, d'entretien, de nettoyage et de réparation.
- Si le cordon d'alimentation est endommagé, il doit être remplacé par le fabricant, l'un de ses techniciens ou une personne de qualification similaire afin d'éviter tout risque.
- Ne branchez jamais le cordon d'alimentation près des

plaques de cuisson. La fonte du câble pourrait causer un incendie.

- Toute opération sur les équipements et les systèmes électriques ne peut être réalisée que par des personnes habilitées et qualifiées.
- En cas de dégâts, éteignez l'appareil et débranchez-le du secteur. Pour ce faire, coupez le fusible domestique.
- Vérifiez que la tension du fusible est compatible avec l'appareil.
- Ne lavez jamais l'appareil avec de l'eau ! Vous risqueriez un choc électrique !

Sécurité du produit

- La hauteur comprise entre la surface inférieure de la hotte et la surface supérieure de la table de cuisson ne doit pas être inférieure à 650 mm.
- Ne touchez pas les ampoules de la hotte après un fonctionnement de longue durée. Elles pourraient vous brûler les mains.
- N'utilisez jamais cet appareil sans son filtre à huile. Ne retirez jamais les filtres de l'appareil lorsqu'il est en fonctionnement.

- Ne laissez pas les flammes s'épaissir sous l'appareil. Autrement, des particules du filtre à huile pourraient s'enflammer et causer un incendie.
- Allumez les foyers après y avoir placé des poêles ou des casseroles. Sinon, certains composants pourraient se déformer sous l'effet de la température croissante.
- Éteignez les foyers avant d'enlever les poêles ou les casseroles.
- Évitez de placer des matériaux inflammables sous la hotte.
- N'exposez pas l'appareil aux flammes nues. Cela pourrait causer l'inflammation des particules d'huile accumulées dans le filtre. N'utilisez pas cet appareil sans filtre.
- Veillez toujours sur la cuisinière lors de fritures, car l'huile pourrait prendre feu et l'huile bouillante provoquer un incendie. Ainsi, faites attention aux torchons et aux rideaux.
- Un nettoyage inapproprié ou irrégulier de la hotte peut présenter un risque d'incendie.

- Afin d'évacuer la vapeur et les odeurs résiduelles de la cuisine, laissez fonctionner votre hotte pendant 15 minutes après la cuisson ou la friture.
- Assurez-vous que la pièce est correctement aérée lorsque vous utilisez la hotte de cuisine au même moment que les appareils de combustion à gaz et d'autres combustibles. (Cette mesure n'est pas applicable aux appareils qui réintroduisent uniquement l'air dans la pièce).
- La sortie d'air des appareils alimentés aux combustibles ou au gaz, comme les appareils de chauffage, situés dans la pièce d'utilisation de la hotte, doit être complètement isolée ; autrement, l'appareil doit être de type hermétique.
- Si un appareil alimenté aux combustibles ou au gaz se trouve dans la pièce, cette dernière doit être suffisamment ventilée.
- Lorsqu'un appareil alimenté à une source autre que l'électricité est utilisé simultanément avec la hotte dans la même pièce, la pression négative de la pièce doit être inférieure à 0,04 mbar, pour éviter que la hotte ne renvoie l'air rejeté par l'autre appareil.
- Ne raccordez jamais la hotte à des cheminées utilisées avec des appareils de chauffage, de rejets de gaz ou fonctionnant avec des flammes épaisses. Veillez observer les réglementations en vigueur relatives à l'évacuation de l'air vicié.
- Lors du raccord de la hotte avec la cheminée, utilisez des tuyaux de 120 mm de diamètre. Le raccord avec des tuyaux doit être aussi court que possible et comporter peu de coudes.
- N'accrochez pas de matériaux facilement inflammables ou combustibles sur les poignées de la hotte.
- Notre société n'est en aucun cas responsable des défaillances liées à une utilisation contraire aux consignes ci-dessus.
- Si le nettoyage n'est pas effectué en conformité avec les instructions données, un incendie peut se produire.

- Évitez de flamber des aliments sous la hotte de cuisine.
- Attention : Les pièces accessibles peuvent devenir chaudes lorsque vous utilisez un appareil de cuisson.
- Il est recommandé de nettoyer le filtre une fois par mois dans des conditions d'utilisation normales.

Utilisation prévue

Cet appareil est conçu pour un usage domestique. L'utilisation commerciale est interdite.

Le fabricant ne saurait être tenu responsable des dommages causés par une utilisation ou une manipulation incorrecte.

Les pièces détachées d'origine sont disponibles pendant 10 ans, à compter de la date d'achat du produit.

Sécurité des enfants

- Tenez les enfants à l'écart de l'appareil lorsqu'il fonctionne et interdisez-leur de jouer avec celui-ci.
- Les emballages sont dangereux pour les enfants. Conservez les emballages dans un endroit hors de la portée des enfants et jetez-les con-

formément aux directives d'élimination des déchets.

- Les appareils électriques sont dangereux pour les enfants. Tenez les enfants à l'écart de l'appareil lorsqu'il fonctionne et interdisez-leur de jouer avec celui-ci.

Mise au rebut de l'ancien appareil

Conformité avec la directive DEEE et mise au rebut des déchets :



Ce produit est conforme à la directive DEEE (2012/19/UE) de l'Union européenne). Ce produit porte un symbole de classification pour la mise au rebut des équipements électriques et électroniques (DEEE).

Le présent produit a été fabriqué avec des pièces et du matériel de qualité supérieure susceptibles d'être réutilisés et adaptés au recyclage. Par conséquent, nous vous conseillons de ne pas le mettre au rebut avec les ordures ménagères et d'autres déchets à la fin de sa durée de vie. Au contraire, rendez-vous dans un point de collecte pour le recyclage de tout matériel électrique et électronique. Veuillez vous rapprocher des autorités de votre localité pour plus d'informations concernant le point de collecte le plus proche.

Conformité avec la directive LdSD :

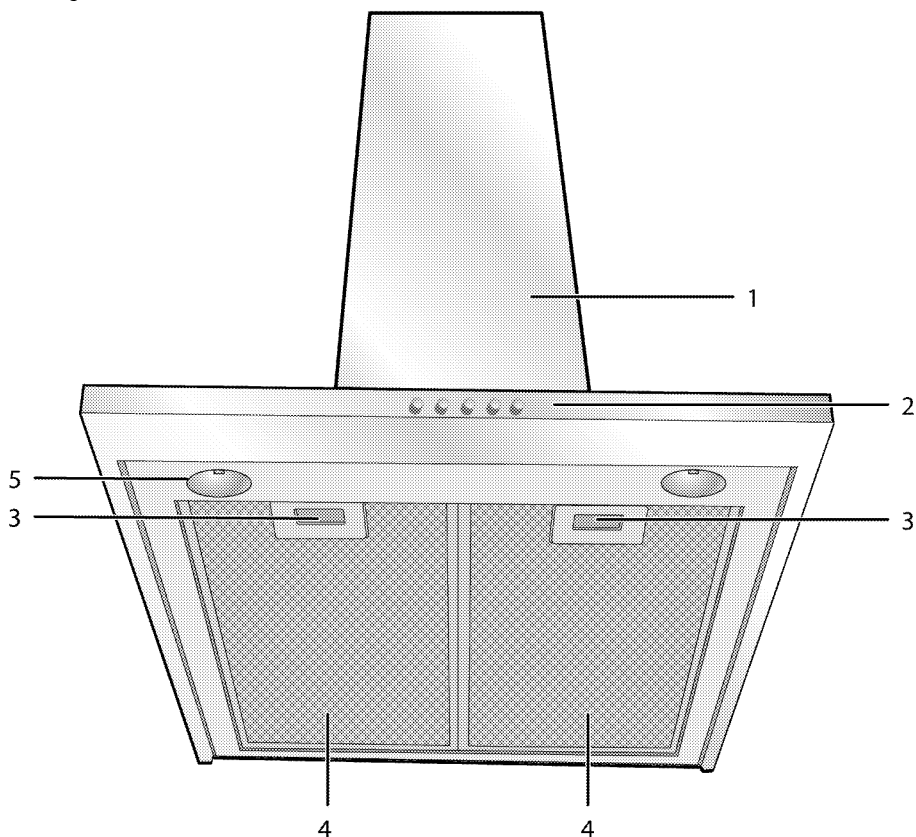
L'appareil que vous avez acheté est conforme à la directive LdSD (2011/65/UE) de l'Union européenne. Il ne comporte pas les matériels dangereux et interdits mentionnés dans la directive.

Elimination des emballages

- Les emballages sont dangereux pour les enfants. Conservez les emballages en lieu sûr à l'écart des enfants. Les emballages de l'appareil sont fabriqués à partir de matériaux recyclés. Eliminez-les de manière appropriée et triez-les en fonction des instructions de recyclage des déchets. Ne les jetez pas avec les déchets domestiques normaux.

2 Généralités

Aperçu



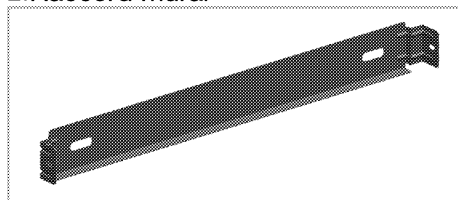
- 1 Corps de la hotte
- 2 Bandeau de commande
- 3 Verrouillage du filtre en aluminium
- 4 Filtre en aluminium
- 5 Ampoule

Contenu de la livraison

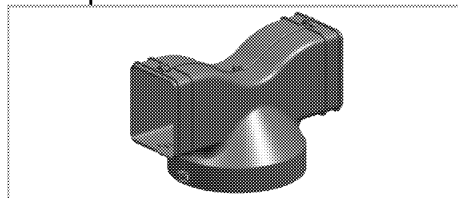
i Les accessoires fournis peuvent varier selon le modèle de l'appareil. Les accessoires décrits dans le manuel d'utilisation peuvent être inexistant dans votre appareil.

1.Manuel d'utilisation

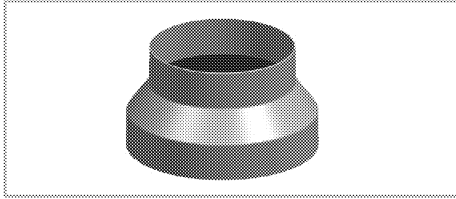
2.Raccord mural



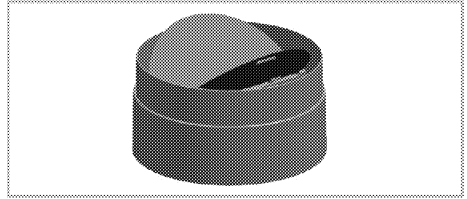
3.Composant de direction d'air



4. Adaptateur de raccordement pour cheminée



5. Valves de refoulement de débit d'air inversé



Caractéristiques techniques

Dimensions extérieures (hauteur/largeur/profondeur)	min.760 mm - max. 927 mm/898 mm/490 mm
Tension/fréquence	220-240 V~1N 50 Hz
Commande	3 niveau + Booster
Puissance d'aspiration	730 m ³ /h
Consommation d'énergie totale	max. 300 W
Diamètre du tuyau de sortie d'air	120 - 150 mm
LAMPE	
Type de lampe	LED
Consommation énergétique de la lampe	3 W
Puissance maximale d'une lampe de rechange	max.2 x 4 W.LED /max.2 x 28 W.Halogène
Tension/fréquence de la lampe	230 V~; 50/60 Hz
Type de culot de lampe	GU10
Diamètre/longueur de la lampe	50 mm /55 mm

i Les caractéristiques techniques peuvent changer sans avis préalable afin d'améliorer la qualité de l'appareil.

i Les illustrations comprises dans ce manuel sont schématiques et peuvent ne pas correspondre exactement à l'appareil.

i Les valeurs indiquées sur les plaques du produit ou sur d'autres documents fournis avec le produit, ont été obtenues dans des conditions de laboratoires conformément aux normes correspondantes. En fonction des conditions de fonctionnement et de l'environnement de l'appareil, ces valeurs peuvent varier.

3 Installation

Consultez le technicien autorisé le plus proche pour l'installation de l'appareil. Vérifiez que les installations électriques existent avant de faire appel à un technicien autorisé pour mettre l'appareil en marche. Dans le cas contraire, faites appel à un électricien qualifié et pour prendre les dispositions qui s'imposent.



La préparation de l'emplacement et l'installation électrique de l'appareil sont sous la responsabilité du client.



Installez l'appareil conformément à toutes les réglementations en matière d'électricité en vigueur.

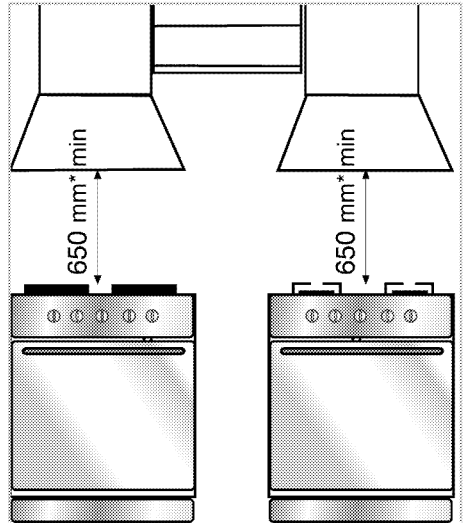


Avant l'installation, regardez si l'appareil présente des défauts. Si tel est le cas, ne le faites pas installer. Les appareils endommagés présentent des risques pour votre sécurité.



Avertissement : Une installation des boulons ou du dispositif de fixation non conforme aux instructions peut entraîner des risques électriques.

Installation



* min.

Vous devez prévoir un dégagement minimal de 650 mm entre la surface supérieure de la table de cuisson et la surface inférieure de la hotte.

L'air à extraire par la hotte ne doit pas être raccordé à une cheminée utilisée par d'autres appareils utilisant du gaz ou d'autres combustibles. (Cette mesure n'est pas applicable aux appareils qui réintroduisent uniquement l'air dans la pièce)

Les réglementations relatives à l'évacuation d'air doivent être respectées.

Raccordement électrique

Doté d'un câble d'alimentation à deux voies, cet appareil doit être branché sur le secteur moyen d'un commutateur électrique avec un dégagement minimal de 3 mm entre les câbles de raccordement bipolaires. Le câblage électrique doit être effectué par un électricien qualifié.

- Installez votre appareil de façon à atteindre facilement le raccordement

électrique (fiche, sortie) après l'installation.

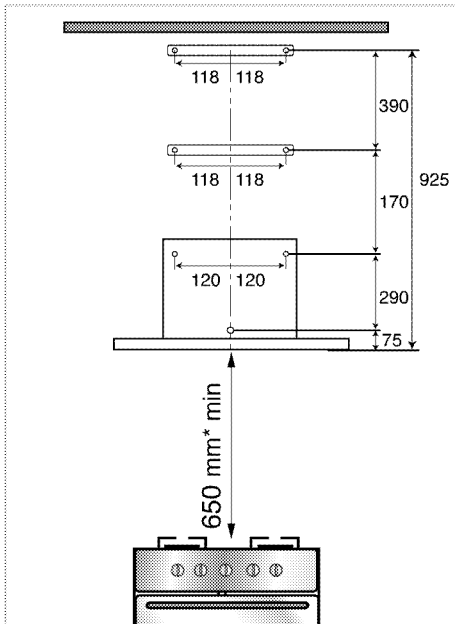
Installation de la hotte

i Toutes les dimensions sont exprimées en mm.

Vous trouverez ci-dessous les informations nécessaires pour préparer le lieu d'installation de votre hotte.

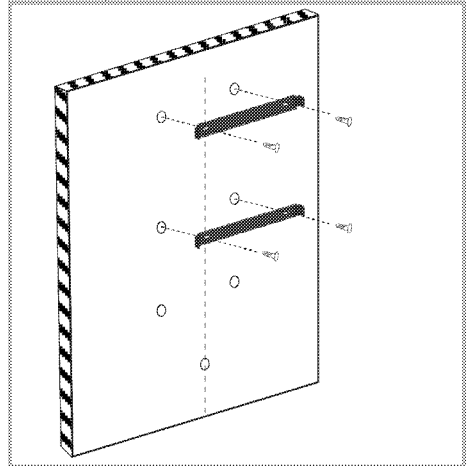
La hotte doit être installée au-dessus de l'axe central de l'appareil de cuisson.

Vous devez prévoir un dégagement minimal de 650 mm entre la surface supérieure de la table de cuisson et la surface inférieure de la hotte. Veuillez suivre la procédure ci-après pour l'installation de la hotte.



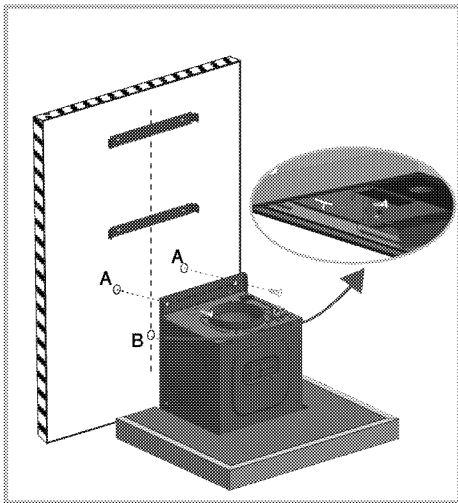
1. En positionnant l'appareil de cuisson au centre, définissez une ligne axiale ayant la même hauteur que celle sur la figure ci-dessus. Ensuite, en prenant cette ligne axiale comme référence, percez des trous en fonction des mesures susmentionnées et des raccords prévus sur l'appareil.

2. Insérez les fiches en plastique fournies dans l'emballage dans ces trous. Vérifiez si les connecteurs de cheminée correspondent aux orifices ou non.

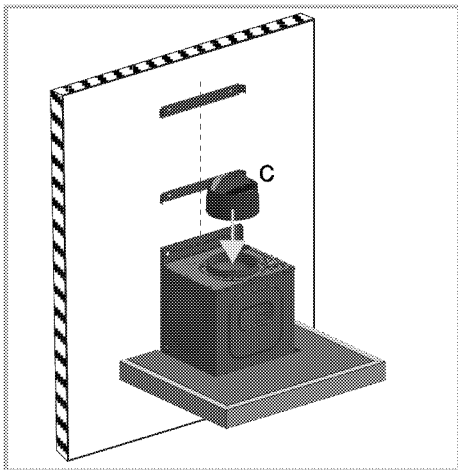


3. À l'aide de la figure ci-dessus, fixez les raccords de paroi aux orifices correspondants à l'aide des deux vis de fixation fournies avec les accessoires.

4. Fixez la hotte au mur en la positionnant au centre à travers les orifices A. Retirez les filtres en aluminium de la hotte. À l'intérieur, fixez la plaque arrière de la hotte à travers le trou B, à l'aide d'une vis, comme le montre la figure ci-dessous. Assurez-vous que la hotte est parallèle au plan de travail au moment de la fixation.

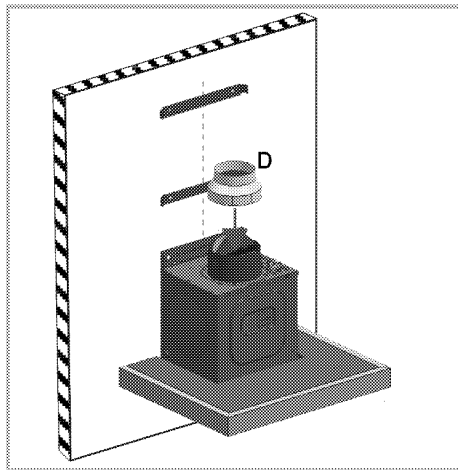


5. Comme le montre la figure ci-dessous, placez le couvercle (C) - qui empêche une inversion du flux d'air - à la sortie de la cheminée.



6. Pour l'utilisation avec raccordement de la cheminée :

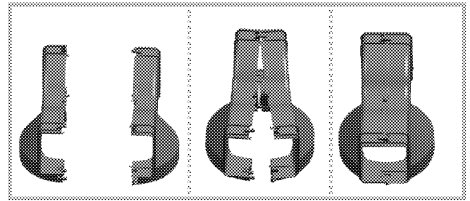
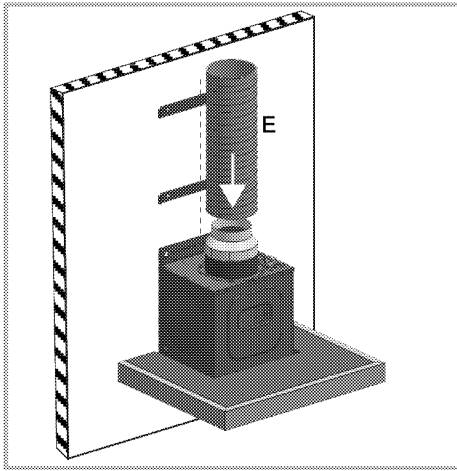
Dans l'installation de raccordement, l'air absorbé passe à travers les filtres en aluminium pour être ensuite rejeté à l'extérieur, à travers le tuyau de raccordement.



Lorsque cette position de raccordement est utilisée, l'adaptateur de raccordement de cheminée D est placé sur la partie C, comme le montre la figure ci-dessus.

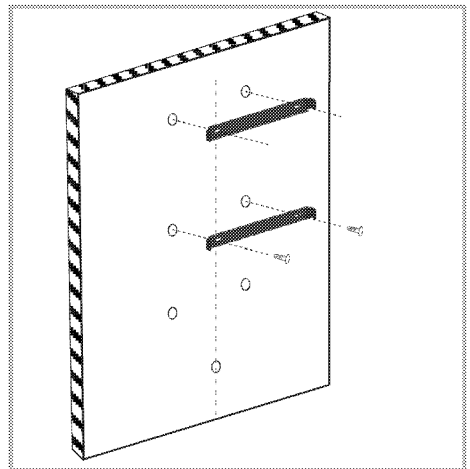
i L'adaptateur de raccordement de cheminée D s'utilise uniquement avec un tuyau de raccordement d'un diamètre de 120 mm. Si votre diamètre du tuyau de raccordement de cheminée est de 150 mm, vous n'avez pas besoin d'adaptateur de raccordement de cheminée D et donc, vous devez connecter une extrémité du tuyau de raccordement de cheminée E directement au couvercle C.

7. Connectez une extrémité du tuyau de raccordement de cheminée E à l'adaptateur de raccordement de cheminée et placez l'autre extrémité sur la cheminée. Vous pouvez vous procurer le tuyau de raccordement de cheminée E auprès du service agréé ou sur le marché



Montez le déflecteur de direction d'air, fourni en deux pièces, comme le montre la figure.

Pour une utilisation sans cheminée, suivre les étapes ci-après : Vous pouvez vous procurer le tuyau de raccordement de cheminée E et les éléments de raccordement F auprès du prestataire de service agréé ou sur le marché.

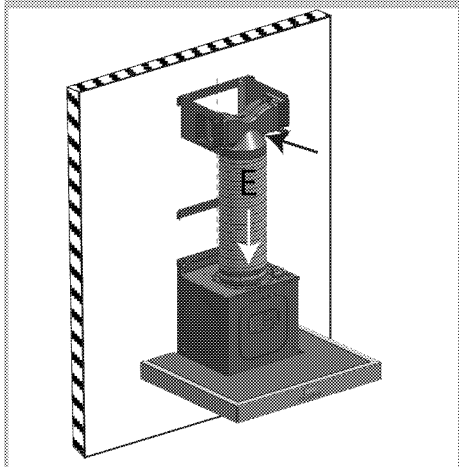
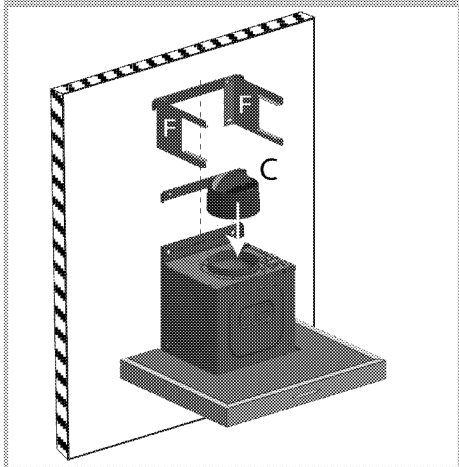
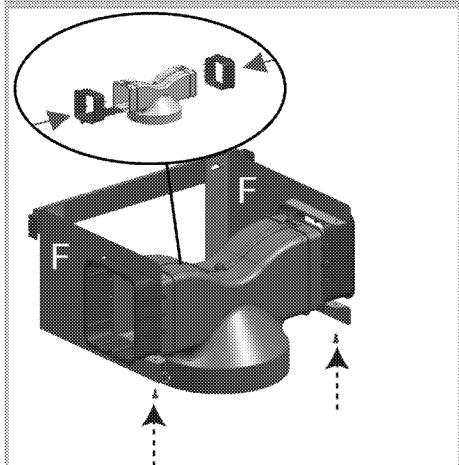
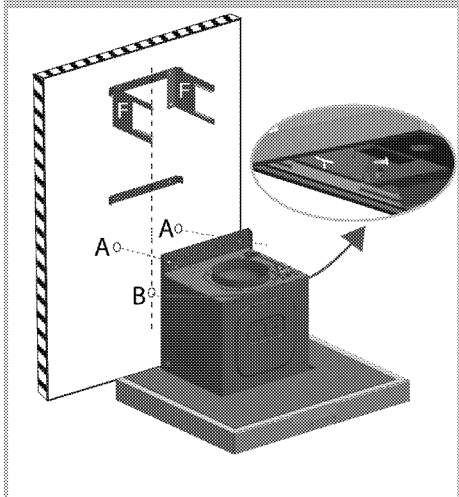
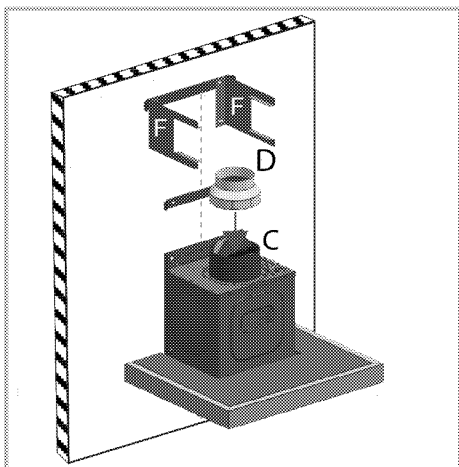
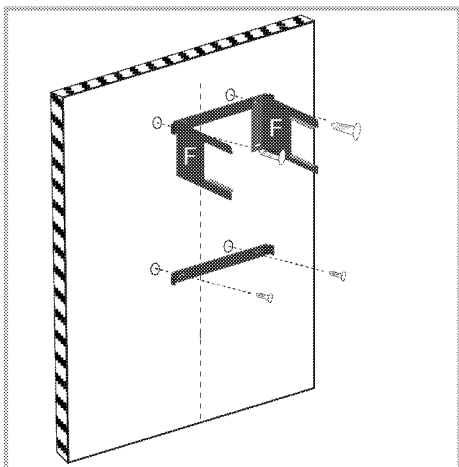


Assurez-vous que les tuyaux de raccordement de la cheminée sont équipés d'une matière en plastique résistant au feu. Lorsque vous utilisez un tuyau de raccord flexible, vous devez garder à l'esprit que les coins tranchants et les contractions soudaines auront un impact négatif sur l'aspiration de l'air. La hotte ne doit jamais être raccordée à une cheminée sur laquelle un autre dispositif est déjà relié.

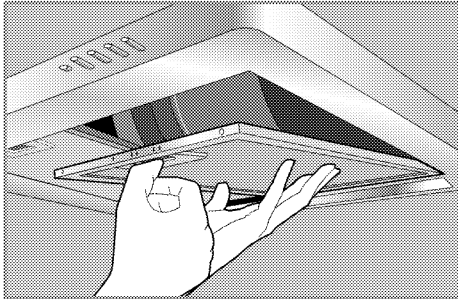
i Le tuyau de raccordement doit être inférieur à 120-150 mm ; dans le cas contraire, cette application empêche le raccordement correct de la cheminée.

8. Circulation interne (Utilisation avec le filtre à charbon)

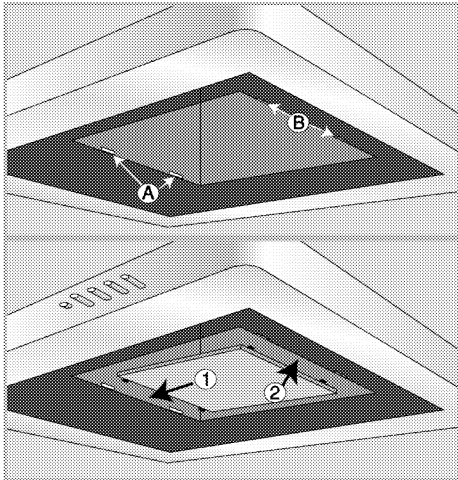
En position de circulation interne, l'air aspiré passera par les filtres en aluminium et à charbon, où il sera débarrassé de toute odeur et à travers le déflecteur de direction d'air, pour enfin être rejeté à l'extérieur à travers les grilles de ventilation sur le côté de la cheminée.



9. Retirez les filtres en aluminium comme indiqué ci-dessous.



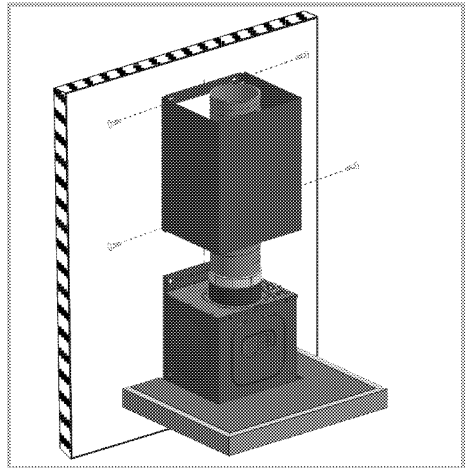
10. Installez le filtre à charbon comme décrit dans la figure d'installation suivante.



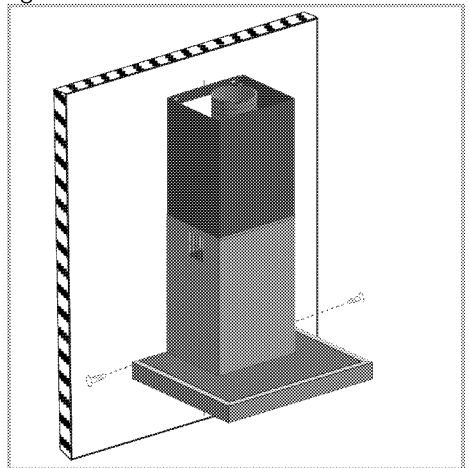
Réinstallez les filtres en aluminium.

11. Installation de la cheminée

Pour installer la cheminée supérieure, placez ses coins supérieurs sur le raccord mural supérieur et utilisez les vis pour fixer la cheminée au raccord mural comme illustré dans la figure ci-dessous.



Pour installer la cheminée inférieure, étendez-la en tirant légèrement à partir des deux côtés et fixez-la sur les fentes de la cheminée supérieure comme sur la figure ci-dessus.




Fixez-la à la hotte à travers les deux orifices sur les coins inférieurs de la cheminée inférieure.

Vous pouvez utiliser votre hotte de deux façons :

1- Utilisation avec raccordement de cheminée

La vapeur est rejetée à travers le tuyau de la cheminée qui est fixé à la bague de raccordement de la hotte. Le diamètre du tuyau de la cheminée doit être égal à celui de la bague de raccordement. Pour permettre à l'air de sortir de la pièce horizontalement, le tuyau doit être légèrement incliné vers le haut (environ 10°).

 Si un filtre à charbon est installé sur votre hotte, vous devez le retirer lors de l'utilisation de la hotte avec la cheminée.

2- Utilisation sans raccordement de cheminée


L'air est filtré par le filtre à charbon et renvoyé dans la pièce. Le filtre à charbon est utilisé lorsqu'il n'y a pas de

conduit de cheminée disponible ou lorsqu'il est impossible d'en installer.

- Installez le filtre à charbon comme décrit dans la section installation.

Déplacement ultérieur

- Conservez le carton d'origine de l'appareil et utilisez-le pour déplacer le produit. Suivez les instructions figurant sur le carton. Si vous n'avez plus le carton original, emballez l'appareil dans un film à bulles ou un carton épais avec du ruban adhésif pour maintenir le tout.

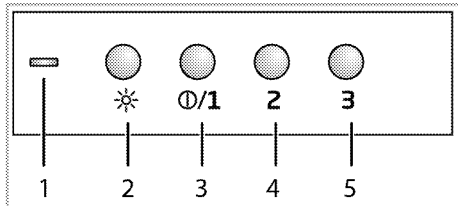
 Ne placez aucun objet sur l'appareil et déplacez-le bien à plat.

 Inspectez l'aspect général de l'appareil pour déceler les dégâts potentiellement dus au transport.

4 Fonctionnement de la hotte

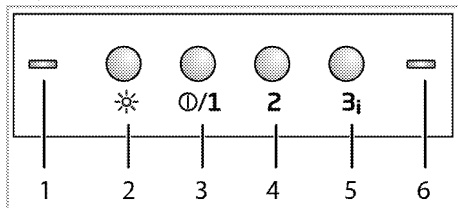
La hotte est équipée d'un moteur réglable sur plusieurs niveaux de vitesse. Pour un fonctionnement optimal, il vous est recommandé d'utiliser les vitesses basses dans des conditions normales et les vitesses rapides lorsque les odeurs et les vapeurs sont intenses.

MODÈLE A



- 1 Témoin d'avertissement de niveau
- 2 Bouton d'éclairage
- 3 Bouton Marche/Arrêt
- 4 Vitesse 2
- 5 Vitesse 3

MODÈLE B



- 1 Témoin d'avertissement de niveau
- 2 Bouton d'éclairage
- 3 Bouton Marche/Arrêt
- 4 Vitesse 2
- 5 Vitesse 3/Booster
- 6 Témoin d'avertissement

Fonctionnement de la hotte

1. Pour mettre la hotte en marche, appuyez sur le bouton Marche/Arrêt.
2. Pour modifier la vitesse, appuyez sur les boutons Vitesse 2 et Vitesse 3.

i N'appuyez jamais deux boutons simultanément. Le cas échéant, un niveau de vitesse supérieur sera activé.

i Lorsqu'aucun bouton n'est pressé, l'appareil fonctionne pendant plus de 6 heures.

Indicateur de niveau du témoin d'avertissement

Mise en marche et arrêt (Vitesse 1) : Vert
Vitesse 2 : Orange
Vitesse 3 : Rouge
Booster : Rouge (clignote continuellement à intervalle de 0,5 seconde)

Mise hors tension automatique (pour A et B)

1. Lorsque l'appareil fonctionne à un niveau donné, appuyez simultanément sur les boutons de niveau 2 et 3. Maintenez enfoncé pendant plus de 2 secondes. La mise hors tension automatique est activée et le témoin de d'avertissement de niveau clignote avec la couleur définie pour le niveau.
2. L'appareil continue de fonctionner pendant 20 minutes sur le niveau réglé et après l'allumage automatique.

i Si vous appuyez sur un bouton de niveau autre que celui de l'ampoule, la mise hors tension automatique est annulée.

Activation du mode de ventilation intense (Booster) (pour le modèle B)

Appuyez sur le bouton Vitesse 3 et maintenez-le enfoncé pendant plus de deux secondes. Le mode de ventilation intense est activé pendant 10 minutes maximum.

Après 10 minutes, l'appareil continue de fonctionner à la Vitesse 3.

i Pendant la ventilation intense, le témoin n°1 d'avertissement de niveau clignote.

Pendant la ventilation intense, si un autre bouton de vitesse est enfoncé, l'appareil continue de fonctionner à cette vitesse.

Extinction de la hotte.

1. Appuyez sur le bouton Arrêt lorsque la hotte fonctionne à une certaine vitesse.

Fonctionnement de l'ampoule

1. Appuyez sur le bouton de l'ampoule pour la faire fonctionner.

Extinction de l'ampoule.

1. Appuyez sur le bouton de l'ampoule pour l'éteindre.

i Le bouton d'arrêt n'éteint pas l'ampoule ; il met la hotte à l'arrêt.

Mode filtre à air (pour le modèle B)

1. Appuyez sur le bouton Vitesse 2 et maintenez-le enfoncé pendant plus de 5 secondes.

» Le mode filtre à air est activé. Le témoin d'avertissement (6) clignote avec une couleur orange.

2. En 1 heure de fonctionnement, le mode filtre à air sera activé pendant 10 minutes au niveau de Vitesse 1 et s'arrêtera pendant 50 minutes. Si le mode filtre à air ne s'arrête pas, il continue de fonctionner pendant 10 minutes et s'arrête pendant 50 minutes chaque heure, pendant 24 heures.

i Vous pouvez utiliser le mode filtre à air pour débarrasser votre intérieur des odeurs en utilisant un niveau de vitesse bas.

Désactivation du Mode filtre à air (pour le modèle B)

1. Désactivez le mode filtre à air en appuyant sur le bouton Vitesse 2 et en le maintenant enfoncé pendant 5 secondes.

i Une fois activé, le mode filtre à air reste actif pendant 24 heures, que l'appareil soit allumé ou éteint. Pour annuler, appuyez sur le bouton Vitesse 2 et maintenez-le enfoncé pendant 5 secondes.

i Lors de l'activation du mode filtre à air, le programme est annulé en cas de panne d'électricité.

Avertissement de filtre plein (pour le modèle B)

Le témoin d'avertissement clignote toutes les 100 heures de fonctionnement. Nettoyez le filtre. Le témoin d'avertissement ne se réinitialise pas automatiquement après le nettoyage. Lorsque vous appuyez sur n'importe quel bouton, l'avertissement de filtre plein est réinitialisé et l'ampoule s'éteint.

i Lorsque la hotte envoie l'avertissement de filtre plein, l'avertissement ne se réinitialise pas en cas de panne de courant. Lorsque l'électricité est rétablie, le témoin d'avertissement continue de clignoter avec une couleur rouge.

5 Maintenance et entretien

Généralités

Un nettoyage régulier de l'appareil en rallongera la durée de vie et diminuera l'apparition de problèmes.



Débranchez l'appareil de la prise secteur avant de commencer le nettoyage et l'entretien.

Vous risquez de recevoir un choc électrique !

- Nettoyez soigneusement l'appareil après chaque utilisation. Il vous sera ainsi possible d'ôter plus facilement les résidus d'aliments éventuels, évitant ainsi qu'ils ne brûlent lors de l'utilisation suivante.
- Aucun produit nettoyant particulier n'est nécessaire pour nettoyer l'appareil. Utilisez de l'eau tiède avec du liquide vaisselle, un chiffon doux ou une éponge pour nettoyer l'appareil et essuyez-le à l'aide d'un chiffon sec.
- N'utilisez pas de détergents contenant de l'acide ou du chlore pour nettoyer les surfaces en acier inoxydable et la poignée. Utilisez un chiffon doux avec un détergent liquide non abrasif pour nettoyer ces parties, en prenant soin de toujours frotter dans le même sens.



La surface pourrait être endommagée par certains détergents ou produits de nettoyage.

N'utilisez pas de détergents agressifs, de poudre/crèmes de nettoyage ou d'objets tranchants pour le nettoyage.



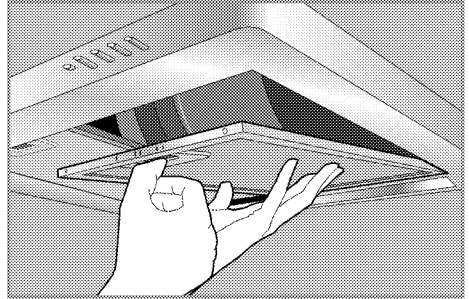
N'utilisez pas de nettoyeurs à vapeur pour le nettoyage.

Filtre en aluminium

Ce filtre retient les particules d'huile dans l'air. **Il est recommandé de nettoyer le filtre une fois par mois dans**

des conditions d'utilisation normales.

Pour ce faire, retirez d'abord les filtres en aluminium. Lavez les filtres avec une solution d'eau et de lessive liquide et installez-les après le séchage. Les filtres en aluminium peuvent changer de couleur au fil du temps en raison du lavage. Ceci est un processus normal et ne nécessite pas un remplacement du filtre.



Les filtres en aluminium se lavent également au lave-vaisselle.

Démontage des filtres en aluminium

1. Poussez le verrou du filtre en aluminium vers l'avant.
2. Baissez légèrement le filtre et tirez-le par l'avant. Sinon, vous risqueriez de plier le filtre.
3. Après le lavage, suivez les étapes ci-dessus dans l'ordre inverse pour réinstaller le filtre en aluminium.

Filtre à charbon (utilisation sans cheminée)



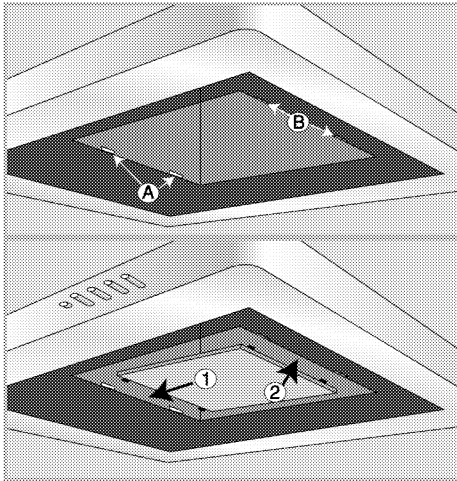
Le filtre à charbon ne doit jamais être lavé.

Il doit être remplacé une fois tous les 4 mois dans des conditions d'utilisation normales. **Vous pouvez obtenir des filtres à charbon auprès du Service agréé.**

Montage du filtre à charbon

1. Retirez les filtres en aluminium

2. Une fois que les filtres sont retirés, insérez le côté avec les embouts courts et flexibles du filtre à charbon fournis avec le produit, dans l'encoche A de la hotte vers la direction 1.



3. Insérez les embouts durs et longs situés de l'autre côté du filtre à charbon dans l'encoche B vers la direction 2.
4. Assurez-vous que les deux extrémités du filtre à charbon sont solidement fixées.

Remplacement de l'ampoule

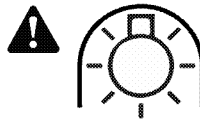
! Avant de remplacer l'ampoule, vérifiez que l'appareil est débranché de l'alimentation afin d'éviter tout risque d'électrocution. Si elle chauffe, laissez-la refroidir. Les surfaces chaudes peuvent brûler !

i La lampe de la hotte de ce produit peut être changée par l'utilisateur.

i Pour obtenir les caractéristiques de l'ampoule, référez-vous à *Caractéristiques techniques*, page 11. Les ampoules du four sont disponibles auprès de votre technicien agréé.

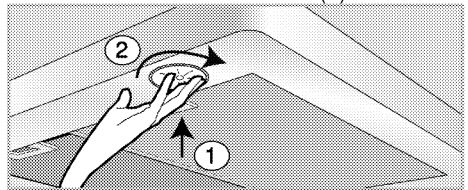
i L'emplacement de la lampe peut varier par rapport à l'illustration.

i L'ampoule utilisée dans cet appareil n'est pas appropriée à l'éclairage d'une pièce d'un ménage. Cette ampoule est destinée à aider l'utilisateur à distinguer les denrées alimentaires.



Utiliser uniquement avec des lampes halogènes au tungstène auto-protégées ou des lampes aux halogénures métalliques auto-protégées.

1. Pour retirer l'ampoule, poussez-la vers son siège en tournant dans le sens horaire (1), puis retirez-la en tournant dans le sens anti-horaire (2).



2. Insérez l'ampoule de rechange en la tournant dans le sens horaire.
3. Le son d'un déclic vous signale que l'ampoule est parfaitement positionnée.

6 Recherche et résolution des pannes

L'appareil ne fonctionne pas.

- Le fusible d'alimentation est défectueux ou grillé. >>> Vérifiez les fusibles dans la boîte à fusibles. Remplacez ou réarmez-les le cas échéant.
- L'appareil n'est pas relié à la prise. >>> Vérifiez le branchement de la prise.
- Le bouton de vitesse n'est peut-être pas réglé. >>> Appuyez sur le bouton de vitesse adéquat.
- L'alimentation est coupée. >>> Vérifiez s'il y a du courant. Vérifiez les fusibles dans la boîte à fusibles. Remplacez ou réarmez-les le cas échéant.

La lumière de la hotte ne s'allume pas.

- L'ampoule de la hotte est défectueuse. >>> Remplacez l'ampoule de la hotte.
- L'alimentation est coupée. >>> Vérifiez s'il y a du courant. Vérifiez les fusibles dans la boîte à fusibles. Remplacez ou réarmez-les le cas échéant.

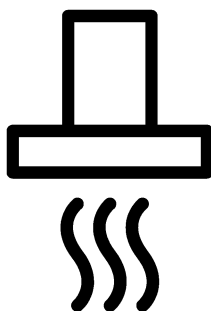


Consultez le technicien autorisé ou le revendeur qui vous a vendu l'appareil si vous ne parvenez pas à résoudre le problème après avoir suivi les instructions fournies dans ce chapitre. N'essayez jamais de réparer un appareil défectueux vous-même.



Campana extractora

Manual del usuario



ES

Lea este manual en primer lugar.

Estimado cliente:

Le agradecemos la compra de un producto Beko. Esperamos que obtenga los mejores resultados de este producto fabricado con materiales de alta calidad y la más avanzada tecnología. Por lo tanto, le rogamos que lea detenidamente el manual de usuario y la documentación que lo acompaña antes de utilizar el producto y los guarde para futuras consultas. Si cede el aparato a un tercero, entréguele también el manual del usuario. Cumpla con todas las advertencias e información del manual de usuario. Recuerde que este manual del usuario puede ser también aplicable a otros modelos. Las diferencias entre los modelos se identificarán en el manual.

Explicación de los símbolos

A lo largo del manual se utilizan los siguientes símbolos:



Información importante y consejos de utilidad acerca de su uso.



Advertencias sobre situaciones de riesgo para la salud o la propiedad.



Peligro de descarga eléctrica.



Peligro de incendio.



Advertencia sobre superficies calientes.



Arçelik A.Ş.
Karaağaç caddesi No:2-6
34445 Sütlüce/Istanbul/TURKEY
Made in TURKEY

1 Instrucciones y advertencias importantes para la seguridad y el medio ambiente **4**

Seguridad general	4
Seguridad eléctrica.....	5
Seguridad del producto	6
Uso previsto	8
Seguridad infantil.....	8
Eliminación del aparato.....	8
Eliminación del material de embalaje.....	8

2 Información general **10**

Información general	10
Alcance de la entrega	11
Especificaciones técnicas	12

3 Instalación **13**

Instalación.....	13
Transporte en el futuro.....	19

4 Uso de la campana extractora **20**

5 Mantenimiento y cuidados **22**

Información general	22
Sustitución de la bombilla.....	23

6 Resolución de problemas **24**

1 Instrucciones y advertencias importantes para la seguridad y el medio ambiente

En esta sección se indican instrucciones sobre la seguridad que le ayudarán a evitar riesgos de lesiones y daños materiales. El incumplimiento de estas instrucciones anulará cualquier garantía.

Seguridad general

- Este aparato podrá ser utilizado por niños mayores de 8 años o adultos con sus capacidades físicas, sensoriales o mentales reducidas, o que carezcan de experiencia y conocimientos, siempre y cuando lo hagan bajo la supervisión de una persona responsable de su seguridad o que ésta les haya dado instrucciones acerca de su uso, y que sean conscientes de los riesgos. Los niños no deben jugar con el aparato. Los niños no deben acometer las tareas de limpieza y mantenimiento de usuario sin supervisión.
- **Riesgo de intoxicación**
Cuando el aparato está en marcha, se absorbe aire de toda la casa. Si no hay una ventilación adecuada, los gases de escape tóxicos emitidos como consecuencia del proceso de combustión volverán a entrar en la casa a través del tiro de la chimenea. No use el aparato junto con fuentes potencialmente emisoras de gases tóxicos y que creen corrientes de aire (estufas de madera, gas, aceite o carbón, calentadores de agua, hervidores, etc.).
- Solicite a una persona autorizada que verifique la existencia en su edificio de una ventilación suficiente y una chimenea de tiro adecuado.
- Este aparato podrá ser utilizado por niños mayores de 8 años o adultos con sus capacidades físicas, sensoriales o mentales reducidas, o que carezcan de experiencia y conocimientos, siempre y cuando lo hagan bajo la supervisión de . Se debe vigilar a los niños para asegurarse de que no jueguen con este electrodoméstico. Los niños

no deben llevar a cabo la limpieza y mantenimiento del aparato a menos que estén supervisados.

- Deje siempre los procedimientos de instalación y reparación en manos de un **agente de servicio autorizado**.. El fabricante declina toda responsabilidad por los posibles daños derivados de la realización de los citados procedimientos por parte de personas no autorizadas.
- No utilice el aparato si presenta algún defecto o daño visible.
- Asegúrese de apagar el aparato tras cada uso.
- Si da el aparato a otra persona para uso personal o de segunda mano, dele también el manual de instrucciones, las etiquetas del producto y el resto de documentos y piezas correspondientes.
- La instalación del aparato debe correr a cargo de una persona cualificada, en conformidad con las normativas vigentes. De lo contrario, la garantía quedará anulada.

Seguridad eléctrica

- Para poner su producto a punto para el uso, debe preparar de antemano el lugar de la instalación y el cableado eléctrico. A continuación, puede llamar al servicio técnico autorizado más próximo a su domicilio.
- Si el aparato presenta alguna anomalía, no lo use hasta que no lo repare un agente de servicio autorizado. Existe el riesgo de descarga eléctrica.
- Jamás conecte la campana extractora a la red eléctrica antes de finalizar su instalación.
- Jamás toque el enchufe con las manos mojadas. No desenchufe el aparato tirando del cable; hágalo siempre tirando del enchufe.
- Es preciso desconectar el aparato de la red de alimentación eléctrica durante las operaciones de instalación, mantenimiento, limpieza y reparación.
- En caso de que el cable de alimentación esté dañado, deberá solicitar su sustitución al fabricante, su agente de servicio técnico o personal

cualificado similar con el fin de evitar riesgos.

- Jamás conecte el cable de alimentación cerca de las placas. Si el cable se funde, podría provocarse un incendio.
- Deje en manos de personal autorizado y cualificado cualquier operación que deba realizarse sobre sistemas y equipos eléctricos.
- En caso de daños, apague el aparato y desconéctelo de la red eléctrica. Para ello, desconecte el fusible de su hogar.
- Asegúrese de que la corriente del fusible sea compatible con el aparato.
- Jamás lave el producto con agua. Existe el riesgo de descarga eléctrica.

Seguridad del producto

- La altura entre la superficie inferior de la campana extractora y la superficie superior de la placa no debe ser inferior a 650 mm.
- Jamás toque la bombilla de la campana extractora tras un periodo de funcionamiento largo. Las

bombillas calientes pueden ocasionarle quemaduras.

- Jamás use el aparato sin filtro de grasa. Jamás retire los filtros cuando el aparato esté en uso.
- Evite las llamas grandes bajo el producto. De lo contrario, las partículas del filtro de grasa podrían inflamarse y provocar un incendio.
- Encienda las placas tras colocar sobre ellas una cazuela o sartén. De lo contrario, el aumento de la temperatura podría deformar partes de la campana extractora.
- Apague las placas antes de retirar sartenes o cazuelas.
- Evite colocar materiales inflamables bajo la campana extractora.
- No exponga el producto a llamas abiertas debajo de él. La grasa acumulada en el filtro podría prender. No use el aparato sin filtro.
- Nunca deje la cocina desatendida al freír alimentos, ya que el aceite podría inflamarse y causar un incendio. Por lo tanto, tenga cuidado también con las prendas y las cortinas.

- La campana extractora debe limpiarse periódicamente; de lo contrario, existe riesgo de incendio.
- Para eliminar los vapores y olores de cocción del aire de la cocina, deje que la campana extractora siga en funcionamiento unos 15 minutos una vez haya finalizado la cocción.
- Tiene que haber una ventilación adecuada en la habitación cuando la campana de extracción se use al mismo tiempo que dispositivos como quemadores a gas u otros combustibles. (Esto no se aplica a dispositivos que sólo descarguen el aire de nuevo en la habitación).
- Asegúrese de que las salidas de escape de aparatos que se usen en la misma estancia que la campana extractora y que consuman fuel-oil o gas, como por ejemplo calefactores, estén absolutamente aislados o sean herméticos.
- Si hay un aparato que consume fuel-oil o gas en la estancia, esta deberá ventilarse adecuadamente.
- Cuando se use en la misma estancia un aparato no eléctrico junto con la campana extractora, la presión negativa en la misma debe ser de 0,04 mbar como máximo para evitar que la campana vuelva a introducir los gases de escape de dicho aparato en la estancia.
- Jamás conecte la campana extractora a las chimeneas usadas para calentadores o gases de escape, o con llamas que asciendan. Observe las normativas vigentes en cuanto a la evacuación del aire de salida.
- Cuando conecte la campana extractora a una chimenea, use tubos de 120 mm de diámetro. La conexión de los tubos debe ser lo más corta posible y con el mínimo de curvas.
- No cuelgue materiales fácilmente inflamables y combustibles de las asas de la campana extractora.
- Nuestra compañía jamás se hará responsable de los problemas derivados de un uso negligente en el que no se tengan en cuenta las anteriores recomendaciones.

- Hay riesgo de incendio si la limpieza no se lleva a cabo de acuerdo con las instrucciones.
- No flambee debajo de la campana extractora.
- Precaución: Las partes accesibles pueden calentarse cuando se use un aparato de cocción.
- Se recomienda que limpie su filtro una vez al mes en el uso normal.

Uso previsto

Este aparato ha sido diseñado para uso doméstico. No está permitido su uso comercial. El fabricante no asumirá ninguna responsabilidad en caso de daños derivados de un uso o manejo inadecuados.

Seguridad infantil

- Mantenga a los niños alejados del aparato cuando esté en funcionamiento y no les permita jugar con él.
- Los materiales de embalaje son peligrosos para los niños. Guarde los materiales de embalaje en un lugar donde no estén al alcance de los niños y deséchelos de acuerdo con las normas de eliminación de residuos.

- Los productos eléctricos son peligrosos para los niños. Mantenga a los niños alejados del aparato cuando esté en funcionamiento y no les permita jugar con él.

Eliminación del aparato

Conformidad con la normativa WEEE y eliminación del aparato al final de su vida útil:



Este producto es conforme con la directiva de la UE sobre residuos de aparatos eléctricos y electrónicos (WEEE) (2012/19/UE). Este producto incorpora el símbolo de la clasificación selectiva para los residuos de aparatos eléctricos y electrónicos (WEEE). Este aparato se ha fabricado con piezas y materiales de primera calidad, que pueden ser reutilizados y son aptos para el reciclado. No se deshaga del producto junto con sus residuos domésticos normales y de otros tipos al final de su vida útil. Llévelo a un centro de reciclaje de dispositivos eléctricos y electrónicos. Solicite a las autoridades locales información acerca de dichos centros de recogida.

Cumplimiento de la directiva RoHS:

El producto que ha adquirido es conforme con la directiva de la UE sobre la restricción de sustancias peligrosas (RoHS) (2011/65/UE). No contiene ninguno de los materiales nocivos o prohibidos especificados en la directiva.

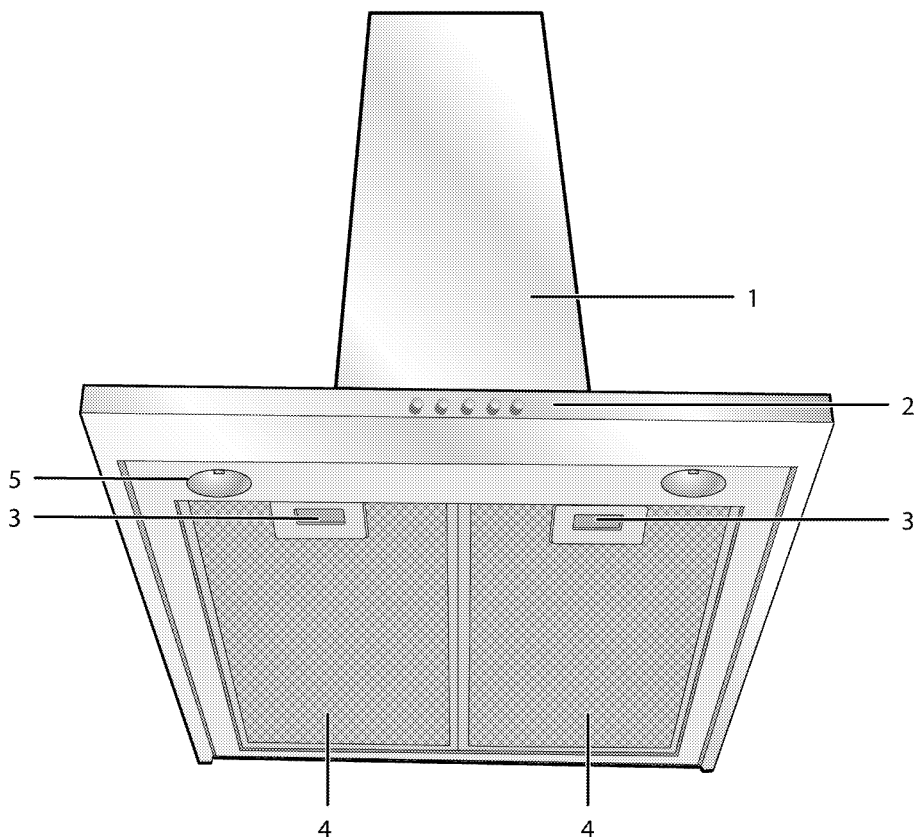
Eliminación del material de embalaje

- Los materiales de embalaje son peligrosos para los niños. Guarde los materiales de embalaje en un lugar

seguro y lejos del alcance de los niños. Los materiales de embalaje del aparato se han fabricado con materiales reciclables. Deshágase de ellos de forma adecuada y clasifíquelos según las instrucciones para el reciclaje de residuos. No los arroje a la basura junto con los residuos domésticos normales.

2 Información general

Información general



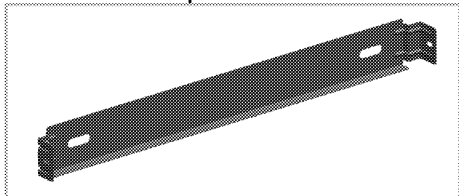
- 1 Cuerpo de la campana extractora
- 2 Panel de control
- 3 Cierre del filtro de aluminio
- 4 Filtro de aluminio
- 5 Bombilla

Alcance de la entrega

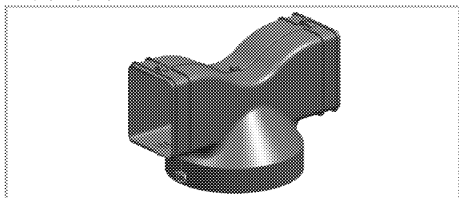
i Los accesorios suministrados pueden variar en función del modelo del aparato. Puede que alguno de los accesorios descritos en el manual del usuario no esté presente en su aparato.

1. Manual del usuario

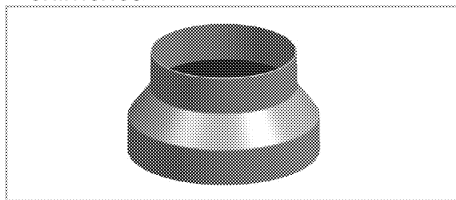
2. Conector de pared



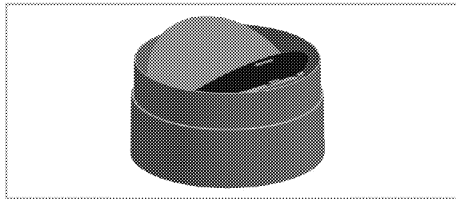
3. Componente de direccionamiento del aire



4. Adaptador de conexión a la chimenea



5. Válvulas para evitar el flujo de aire inverso



Especificaciones técnicas

Dimensiones externas (altura/anchura/profundidad)	mín.760 mm - máx. 927 mm/898 mm/490 mm
Voltaje/frecuencia	220-240 V~1N 50 Hz
Control	3 nivel + Función de refuerzo
Potencia de succión	730 m ³ /h
Consumo energético total	máx. 300 W
Diámetro del tubo de salida de aire	120 - 150 mm
BOMBILLA	
Tipo de bombilla	Led
Consumo energético de la bombilla	3 W
Potencia máxima de una posible bombilla de sustitución	máx.2 x 4 W.Led /máx.2 x 28 W.Halógena
Voltaje/frecuencia de la bombilla	230 V~; 50/60 Hz
Tipo de casquillo	GU10
Diámetro/longitud de la bombilla	50 mm /55 mm

i Las especificaciones técnicas pueden cambiar sin previo aviso con el fin de mejorar la calidad del producto.

i Las ilustraciones presentes en el manual son esquemáticas y es posible que no se correspondan exactamente con su aparato.

i Los valores especificados en las marcas del producto o en otros documentos impresos que lo acompañen han sido obtenidos en condiciones de laboratorio, en conformidad con los estándares pertinentes. Estos valores pueden variar en función de las condiciones de funcionamiento y entorno del aparato.

3 Instalación

Deje la instalación del aparato en manos del servicio técnico autorizado más cercano. Asegúrese de que la instalación eléctrica esté hecha antes de solicitar al agente de servicio autorizado la puesta a punto del aparato. Si no lo está, solicite a un técnico cualificado la realización de las acciones pertinentes.

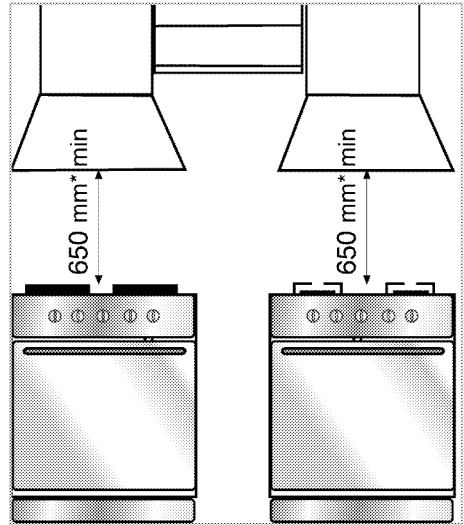
i La preparación de la ubicación del aparato y la instalación eléctrica son responsabilidad del cliente.

! La instalación del electrodoméstico debe llevarse a cabo en conformidad con todas las normativas locales sobre electricidad.

! Antes de proceder a la instalación, compruebe visualmente si el aparato presenta alguna anomalía. Si fuese el caso, no lo instale. Los productos con anomalías suponen un riesgo para la seguridad.

! Advertencia: No colocar los tornillos o el dispositivo de sujeción de acuerdo con las instrucciones puede causar riesgos eléctricos.

Instalación



* mín.

Debe haber una distancia mínima de 650 mm entre la superficie superior de la placa y la superficie inferior de la campana extractora.

El aire extraído por la campana extractora no debe evacuarse por una chimenea conectada a otros aparatos que usen gas u otros combustibles. (Esto no se aplica a dispositivos que se limiten a descargar el aire de nuevo en la estancia)

Observe la normativa vigente sobre gases de escape.

Conexión eléctrica

Este aparato se ha fabricado con cable de alimentación de dos conductores y debe conectarse a la red eléctrica mediante un interruptor eléctrico cuyos contactos bipolares deben tener una separación de al menos 3 mm. Deje las conexiones eléctricas en manos de un electricista cualificado.

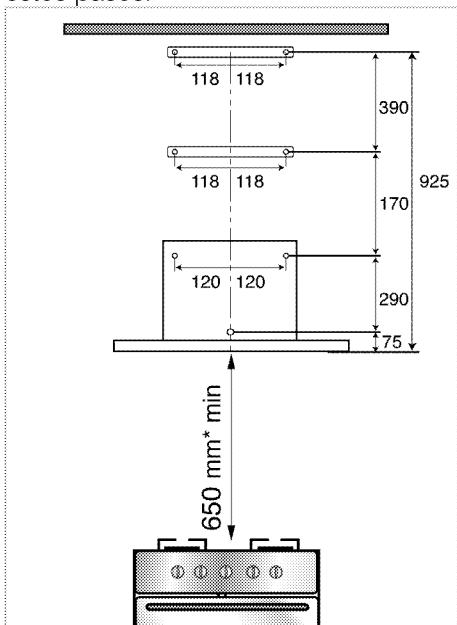
- Instale el aparato de modo que la conexión eléctrica (toma, enchufe) quede al alcance de la mano.

Instalación de la campana extractora

i Todas las dimensiones se expresan en mm.

Davumbazınızı takacağınız yeri uygun hale getirmek için gerekli bilgiler aşağıda yer almaktadır.

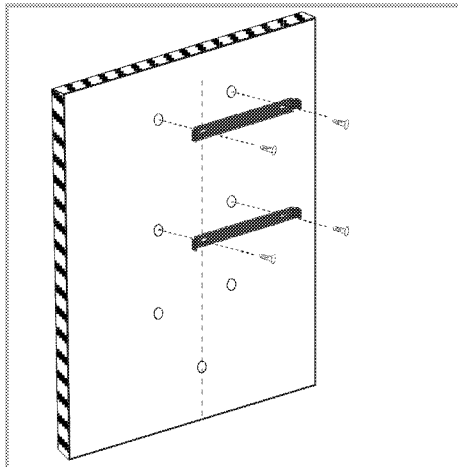
La campana extractora debe instalarse sobre el eje central del aparato de cocina. Debe haber una distancia mínima de 650 mm entre la superficie superior de la placa y la superficie inferior de la campana extractora. Para instalar la campana extractora, siga estos pasos.



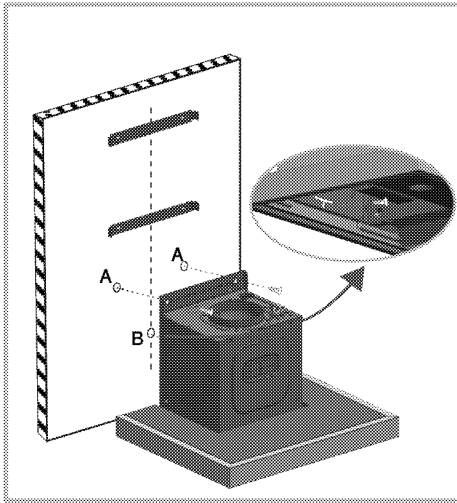
1. Tras centrar el aparato de cocina, dibuje un eje que tenga la misma altura que en la anterior figura. A continuación, teniendo como referencia este eje y según las medidas anteriores, practique los orificios del mismo diámetro que las

fijaciones suministradas con el producto.

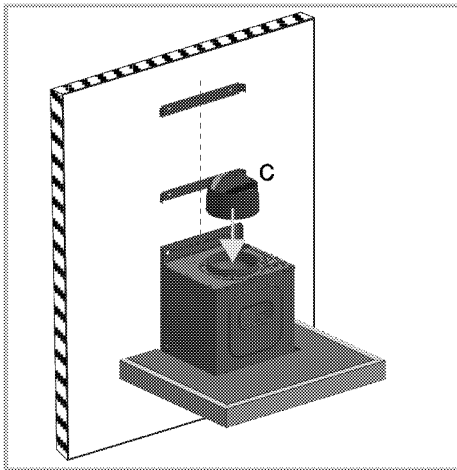
2. Inserte en ellos los tacos de plástico suministrados junto con el aparato. Compruebe si los conectores de la chimenea se corresponden con esos orificios o no.



3. Fije las fijaciones de pared en los orificios correspondientes mediante los dos tornillos de fijación suministrados con los accesorios, tal como se muestra en la figura anterior.
4. Fije la campana extractora a la pared centrándola a través de los orificios A. Retire los filtros de aluminio de la campana extractora. En el interior, fije la placa trasera de la campana extractora a través del orificio B mediante un tornillo, tal y como se muestra en la figura anterior. Asegúrese de que la campana extractora esté en paralelo con la encimera al fijarla.

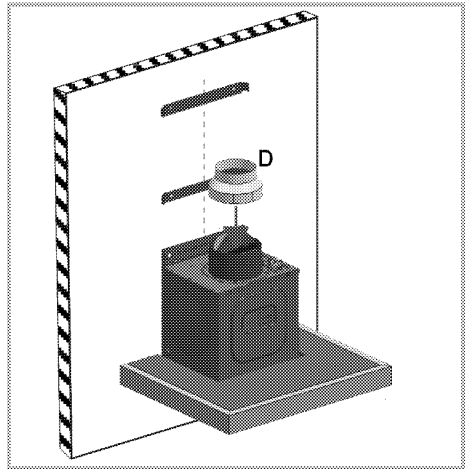


5. Tal como se muestra en la figura siguiente, coloque la cubierta (C), que evita el flujo de aire inverso, en la salida de la chimenea.



6. **Para el uso con conexión a una chimenea:**

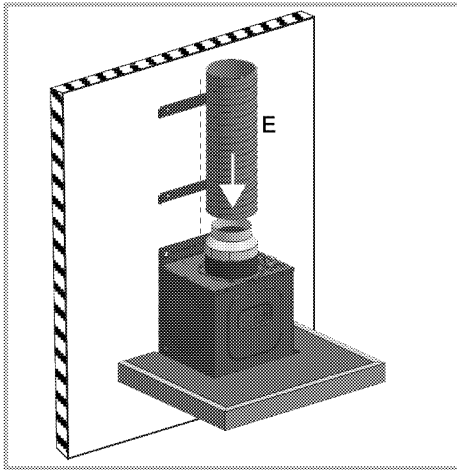
En la instalación de la conexión de la chimenea, el aire absorbido pasará por los filtros de aluminio y se expulsará al exterior por el tubo de conexión.



Cuando use esta posición de conexión, el adaptador de la conexión a la chimenea D se colocará en la pieza C tal como se muestra en la figura anterior.

i El adaptador de la conexión de la chimenea D solo se usará cuando el diámetro del tubo de conexión sea 120 mm. Si el diámetro de la tubería de conexión de su chimenea es de 150 mm, no tendrá necesidad de usar el adaptador de la conexión de la chimenea D y por lo tanto no será necesario que conecte un extremo de la tubería de conexión E directamente a la cubierta C.

7. Conecte un extremo de la tubería de conexión a la chimenea E al adaptador de la conexión de la chimenea, y coloque el otro extremo en la chimenea. Puede adquirir la tubería de conexión a la chimenea E en el servicio autorizado o en cualquier establecimiento

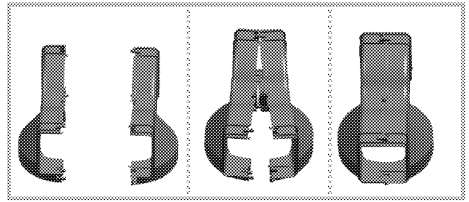


Asegúrese de que los tubos de conexión de la chimenea sean de material plástico ignífugo. Al usar una tubería de conexión flexible, debe tenerse en cuenta que las esquinas pronunciadas y las contracciones súbitas tendrán un efecto negativo sobre la succión de aire. No conecte jamás la campana extractora a una chimenea a la que haya conectado ya otro aparato.

i El tubo de conexión no debe superar los 120-150 mm; de lo contrario, la conexión con la chimenea no será adecuada.

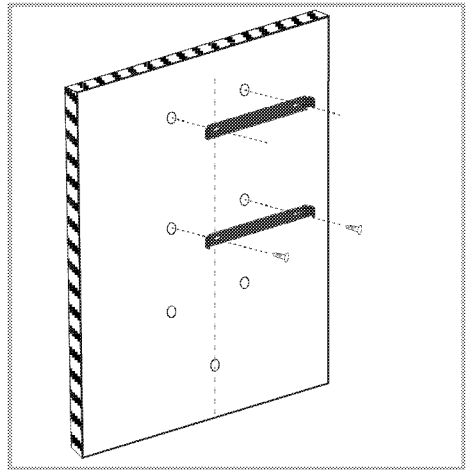
8. Circulación interna (usar con filtro de carbono)

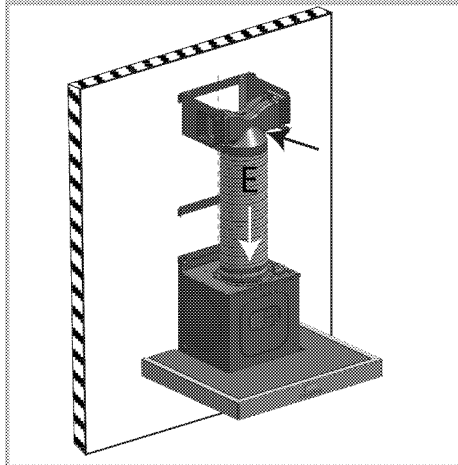
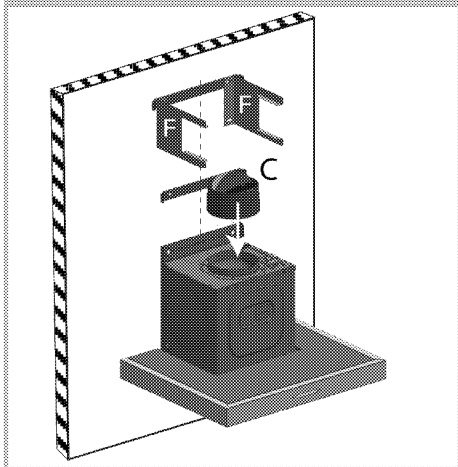
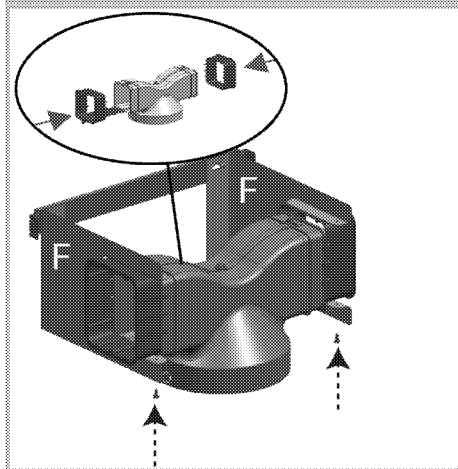
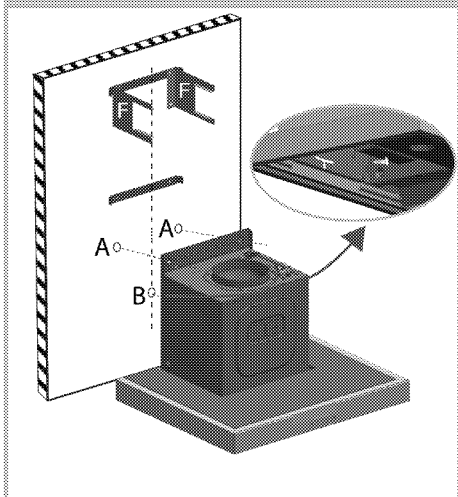
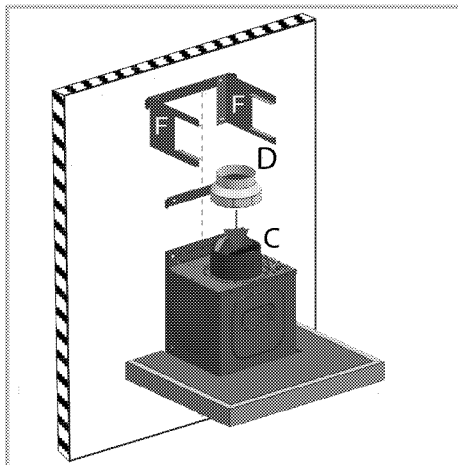
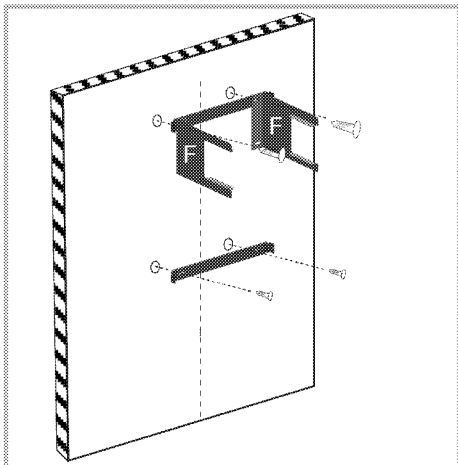
En la posición de circulación interna, el aire absorbido desde el entorno pasará por filtros de aluminio y de carbono, que eliminarán los olores, y a continuación pasarán por componentes de direccionamiento del aire, para finalmente emitirse a la estancia a través de las rejillas de ventilación del lado de la chimenea.



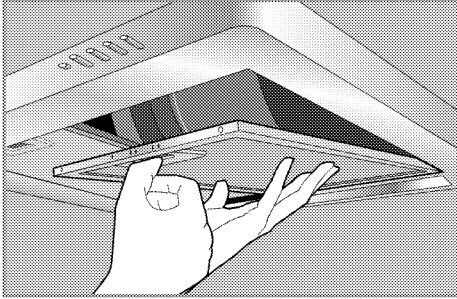
Monte el componente de direccionamiento del aire, que se suministra como dos piezas independientes, tal como muestra la figura.

Por favor, siga los siguientes pasos para utilizarlo sin campana de chimenea. Puede adquirir la tubería de conexión a la campana de chimenea E y los elementos de conexión en el servicio autorizado o en cualquier establecimiento.

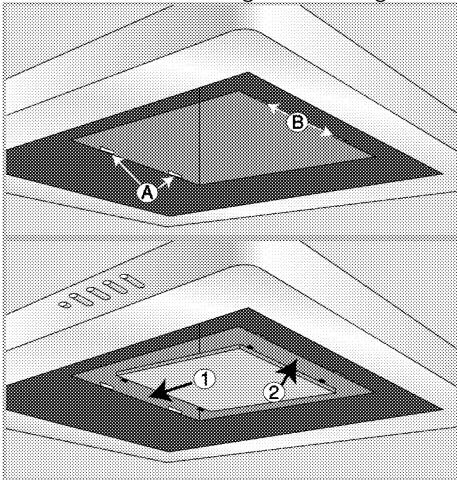




9. Retire los filtros de aluminio tal como se muestra a continuación.



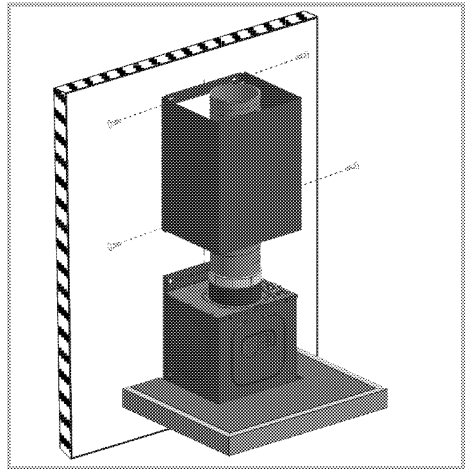
10. Instale el filtro de carbono tal como se muestra en la siguiente imagen.



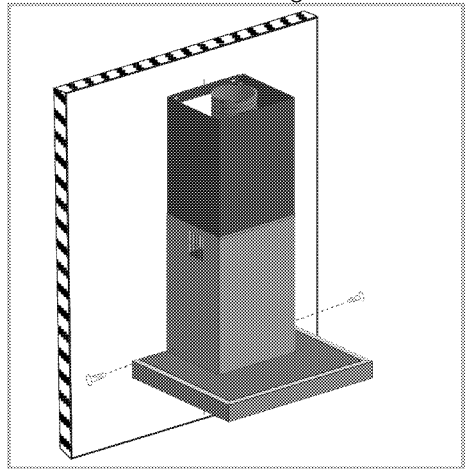
Vuelva a colocar los filtros de aluminio.

11. Instalación de la chimenea

Para instalar la chimenea superior, coloque las esquinas superiores en el conector de pared superior y fije la chimenea al conector mediante los tornillos tal como se muestra en la siguiente figura.



Para instalar la chimenea inferior, ensanche la chimenea tirando suavemente de ambos lados y fíjela a las ranuras de la chimenea superior tal como se muestra en la figura anterior.



Fíjela a la campana extractora por los dos orificios de las esquinas inferiores de la chimenea inferior.

Puede usar la campana extractora de dos formas:

1 - Conectada a una chimenea

El vapor se expulsa a través de la tubería de la chimenea, fijado al anillo de conexión de la campana extractora. El diámetro de la tubería de la chimenea

debe ser igual al diámetro del anillo de conexión. Para facilitar la salida del aire de la sala en disposiciones horizontales, la tubería debe estar ligeramente inclinada hacia arriba (aproximadamente 10°).

i Si su campana extractora tiene instalado un filtro de carbono, retírelo cuando use la campana con la chimenea.

2 - Sin conexión a una chimenea

El aire es filtrado por el filtro de carbono y devuelto a la estancia. El filtro de carbono se usa cuando no hay una chimenea disponible en la casa o cuando no es posible instalar un tubo de chimenea.

- Instale el filtro de carbono tal como se muestra en la sección de instalación.

Transporte en el futuro

- Guarde la caja de cartón original del aparato y transporte en ella el producto. Siga las instrucciones indicadas en la caja. Si no dispone de la caja de cartón original, envuelva el aparato en plástico de burbujas o cartón grueso y sujételo con cinta adhesiva.

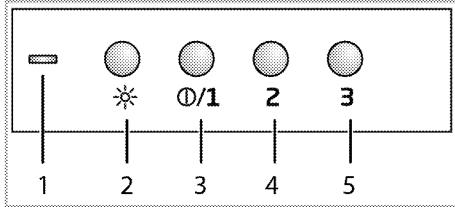
i No coloque ningún objeto sobre el aparato y desplácelo en posición vertical.

i Compruebe el aspecto general del aparato con el fin de identificar posibles daños producidos durante el transporte.

4 Uso de la campana extractora

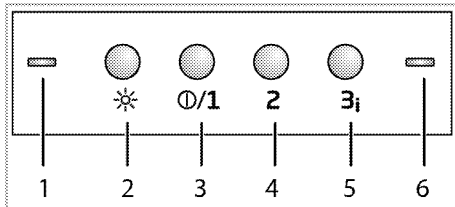
La campana extractora incorpora un motor con varios ajustes de velocidad. Para lograr mejores resultados, se recomienda usar velocidades bajas en condiciones normales y velocidades altas cuando haya mucho humo u olores fuertes.

MODELO A



- 1 Piloto de aviso de nivel
- 2 Botón de luz
- 3 Botón de encendido/apagado
- 4 Velocidad 2
- 5 Velocidad 3

MODELO B



- 1 Piloto de aviso de nivel
- 2 Botón de luz
- 3 Botón de encendido/apagado
- 4 Velocidad 2
- 5 Velocidad 3/Función de refuerzo
- 6 Piloto de aviso

Uso de la campana extractora

1. Pulse el botón de encendido/apagado para poner en marcha la campana extractora.
2. Para variar la velocidad, pulse los botones Velocidad 2 y Velocidad 3.

i No pulse dos botones al mismo tiempo. Si lo hace, se seleccionará el de mayor velocidad.

i Si no pulsa ningún botón, el aparato funcionará durante más de 6 horas.

Piloto de aviso de nivel - indicador de nivel

Encendido y apagado (Velocidad 1):

Verde

Velocidad 2: Naranja

Velocidad 3: Rojo

Función de refuerzo: Rojo (parpadea de forma continua durante 0,5 segundos)

Modo de apagado automático (para A y B)

1. Con el aparato en funcionamiento en cualquier nivel, pulse los botones de nivel 2 y 3 al mismo tiempo. Manténgalos pulsados durante 2 segundos más. El modo de apagado automático se activa y la bombilla de advertencia de nivel parpadea en el color del nivel ajustado.
2. El aparato seguirá funcionando 20 minutos en el nivel fijado y a continuación se apagará automáticamente.

i Si pulsa cualquier botón de nivel, excepto el botón de la lámpara, el modo de apagado automático se cancelará.

Activación del modo de ventilación intensa (refuerzo) (para el modelo B)

Mantenga pulsado el botón de velocidad 3 durante más de dos segundos. El modo de ventilación intensa se activará y permanecerá en

funcionamiento durante un máximo de 10 minutos.

Al cabo de 10 minutos, el aparato seguirá operando en la posición de velocidad 3.

i Durante la ventilación intensa, la lámpara de aviso de nivel número 1 parpadeará.

Durante la ventilación intensa, si se pulsa alguno de los botones de velocidad, el aparato seguirá funcionando en ese nivel de velocidad.

Apagado de la campana extractora

1. Pulse el botón de apagado con la campana extractora funcionando a cierta velocidad.

Uso de la lámpara

1. Pulse el botón de la lámpara para encender la luz.

Apagado de la lámpara

1. Pulse el botón de la lámpara de nuevo para apagar la luz.

i El botón de apagado no apaga la lámpara, solo detiene el funcionamiento de la campana extractora.

Modo de filtro de aire (para el modelo B)

1. Mantenga pulsado el botón de velocidad 2 durante más de 5 segundos.

» El modo de filtro de aire se activará. La lámpara de advertencia (6) parpadeará en naranja.

2. El modo de filtro de aire funcionará durante 10 minutos a velocidad 1 y a continuación permanecerá 50 minutos detenido. Si el modo de filtro de aire no se desactiva, el aparato seguirá

operando durante 10 minutos y permaneciendo apagado 50 minutos cada hora de las siguientes 24 horas.

i Puede usar el modo de filtro de aire para eliminar los olores de fondo de la casa usando la velocidad baja.

Apagado del modo de filtro de aire (para el modelo B)

1. Apague el modo de filtro de aire manteniendo pulsado el botón Velocidad 2 durante 5 segundos.

i Cuando el modo del filtro de aire esté activo, al encender y apagar el aparato el modo de filtro de aire seguirá operando hasta pasadas 24 horas. Para cancelar, mantenga pulsado el botón de velocidad 2 durante más de 5 segundos.

i Con el modo de filtro de aire activo, el programa se cancelará en caso de apagón eléctrico.

Aviso de filtro lleno (para el modelo B)

El piloto de aviso parpadeará tras 100 horas de funcionamiento. Limpie el filtro. El piloto de aviso no dejará de parpadear automáticamente tras la limpieza.

Para reiniciar el piloto de aviso, pulse cualquier botón.

i Si el piloto de aviso esté activo, no se reiniciará en caso de apagón eléctrico. Al restablecer el fluido eléctrico, el piloto de aviso seguirá parpadearando en rojo.

5 Mantenimiento y cuidados

Información general

La limpieza a intervalos regulares del aparato prolongará su vida útil y reducirá la frecuencia de aparición de los problemas más frecuentes.



Desconecte el producto de la red de alimentación antes de iniciar las tareas de mantenimiento y limpieza.

Existe el riesgo de descarga eléctrica.

- Limpie el producto concienzudamente después de cada uso. De esta manera eliminará los residuos de alimentos con mayor facilidad, evitando que se quemen la próxima vez que utilice el aparato.
- No es necesario utilizar agentes limpiadores especiales para limpiar el aparato. Limpie el aparato con un paño suave o esponja humedecido en agua caliente con un producto limpiador y séquelo con un paño suave.
- No utilice productos de limpieza que contengan ácido o cloro para limpiar las superficies inoxidable y el asa. Utilice un paño suave con un detergente líquido no abrasivo para la limpieza de esas partes, procurando pasar el paño siempre la misma dirección.



La superficie podría resultar dañada por la acción de algunos detergentes o agentes de limpieza.

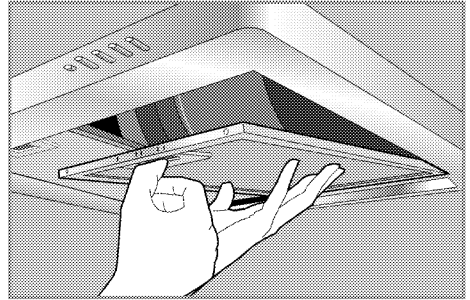
No utilice detergentes agresivos, polvos/cremas limpiadoras, ni tampoco ningún objeto afilado.



No utilice limpiadores al vapor para la limpieza.

Filtro de aluminio

Este filtro capta las partículas de grasa del aire. **Se recomienda que limpie su filtro una vez al mes en el uso normal.** Antes retire los filtros de aluminio. Lave los filtros en agua con detergente líquido e instálelos tras secarlos. Puede que, con el tiempo, los filtros de aluminio se decoloren debido al lavado. Esto es normal y no será necesario sustituir el filtro.



Los filtros de aluminio pueden lavarse en lavavajillas.

Retirada de los filtros de aluminio

1. Empuje el cierre del filtro de aluminio hacia adelante.
2. Baje ligeramente el filtro y empújelo hacia adelante. De lo contrario, podría doblarlo.
3. Tras el lavado, aplique los pasos anteriores en orden inverso para volver a instalar el filtro de aluminio.

Filtro de carbono (uso sin chime-nea)

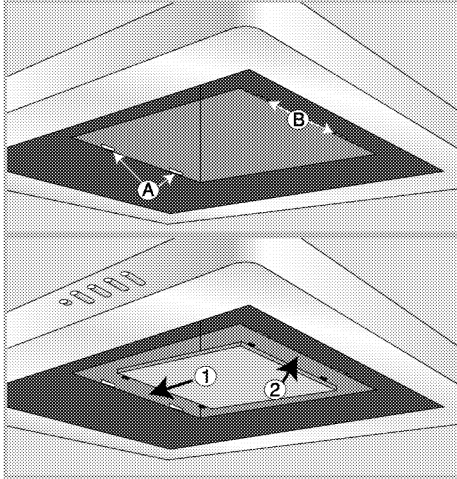


El filtro de carbono no debe lavarse nunca.

Debe sustituirse cada 4 meses de uso normal. **Puede solicitar filtros de carbono de repuesto a su servicio autorizado.**

Colocación del filtro de carbono

1. Retire los filtros de aluminio
2. Una vez retirados, inserte el filtro de carbono proporcionado junto con el aparato por el lado con las puntas cortas flexibles en la ranura A de la campana extractora en la dirección 1.



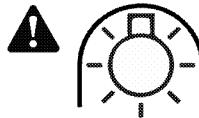
3. Inserte las puntas largas y rígidas del otro lado del filtro de carbono en la ranura B en la dirección 2.
4. Asegúrese de que ambos extremos del filtro de carbono estén firmemente asentados.

Sustitución de la bombilla

! Antes de sustituir la bombilla, asegúrese de que el aparato esté desconectado de la alimentación con el fin de evitar el riesgo de una descarga eléctrica. Si la bombilla está caliente, deje que se enfríe. Las superficies calientes pueden causar quemaduras.

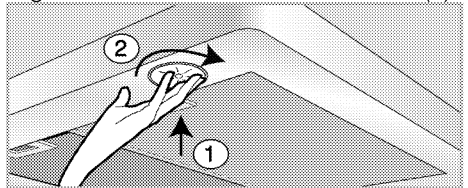
i El usuario puede cambiar la lámpara de la campana de este producto.

- i** Consulte las especificaciones de la bombilla en *Especificaciones técnicas*, pág. 12. Puede solicitar bombillas de horno de recambio a los agentes de servicio autorizados.
- i** La posición de la lámpara puede variar con respecto a la ilustración.
- i** La luz utilizada en este electrodoméstico está pensada para la iluminación de una estancia doméstica. La finalidad de esta lámpara es ayudar al usuario a ver los productos alimenticios.



Utilice solo bombillas halógenas de tungsteno autoprotegidas o bombillas de haluro metálico autoprotegidas.

1. Retire la bombilla empujándola contra su asiento en la dirección de las agujas del reloj (1) y extráigala girándola en la dirección contraria (2).



2. Inserte la bombilla nueva girándola en el sentido de las agujas del reloj.
3. Cuando la bombilla se asiente en su sitio se escuchará un "clic".

6 Resolución de problemas

El aparato no funciona.

- El fusible de la red eléctrica está defectuoso o se ha disparado. >>> *Compruebe los fusibles de la caja de fusibles. En caso necesario, sustitúyalos o reinícelos.*
- El aparato no está conectado a la toma. >>> *Compruebe la conexión del enchufe.*
- Es posible que no se haya ajustado el botón de velocidad. >>> *Presione el botón de velocidad requerido.*
- Hay un corte en el suministro de fluido eléctrico. >>> *Compruebe si hay corriente eléctrica. Compruebe los fusibles de la caja de fusibles. En caso necesario, sustitúyalos o reinícelos.*

La luz de la campana extractora no funciona.

- La bombilla de la campana extractora está defectuosa. >>> *Sustituya la bombilla de la campana extractora.*
- Hay un corte en el suministro de fluido eléctrico. >>> *Compruebe si hay corriente eléctrica. Compruebe los fusibles de la caja de fusibles. En caso necesario, sustitúyalos o reinícelos.*



Si una vez implementado el remedio propuesto en esta sección el problema no se soluciona, consulte al servicio técnico autorizado o al distribuidor en donde adquirió el aparato. Nunca trate de reparar un producto defectuoso por sus propios medios.

