

**BEKO**  
**Kitchen**  
**Appliances**  
CATALOG 2023



**beko**



**beko**

# INDEX



## 01 Oven 05/29

- Built - In
- Compact
- Accessories - Warming Drawers
- Microwave

## 02 Hobs 30/55

- Induction
- Ceramic
- Gas

## 03 Hoods 56/67

- Wall - Mounted
- Slimline

## 04 Dishwasher 68/83

- Free Standing
- Table Top

# Installation Assembly

In Beko, Quality is not born by chance, but it is the result of rigorous testing at every stage of the process, from design to production, from marketing to installation.

60 years of necessary experience collaborations with the main manufacturers of Italian kitchens. We transform into a new range of built-in appliances designed to offer you solutions of assembly and installation to be quick and easy.

The main milestones include:

- Reduction of installation time;
- Improvement of technical documents, including instruction manuals and collection schemes for clear, simple and intuitive guide;
- Optimization of the tools required for quick assembly and effective results.



beko



01



# Oven



- Built - In
- Compact
- Accessories -  
Warming Drawers
- Microwave

# A Partner in the kitchen that can be counted on for every occasions.

You need love and creativity as well as quality of the kitchen.

When we do research in Oven, we start from daily needs then develop technologies that offer unique and innovative features. Like the 82 liter XXL cavity oven that suitable for any type of family, With the Surf System it is possible to use up to 5 trays sat the same time without mixing smells and tastes, saving time and making your recipes special. For all those who they always want to be connected we have thought of Vega ovens, equipped with Wi-Fi connectivity called HomeWhiz Function.

For Homemade pizza lovers, we have devised the Pizza Pro function which allows you to obtain a soft pizza with crispy edges in only 5 minutes, just like in a pizzeria. Another function available in our ovens is the steam assisted cooking which generate the flows to make bread and pastry preparation becomes easier than ever.

Discover all the features in our ovens.







beko



beko

250° 02:20

# Perfect Built-in Oven for Kitchen Renovation



Beko ovens features Innovative technologies and Precision sensors to create healthy and delicious dishes, Also focus on energy consumption.

Technological advancement in the field of ovens brings precision, accuracy and homogeneity of cooking to response with different consumer needs in terms of yields, methods and cooking times.

New Ovens from Beko include:

- Circulation of hot air flow revolutionized.
- Bi-directional BLDC motor based on cooking algorithms.
- Humidity and temperature sensors.
- Maximization of the grill surface for more homogeneous cooking.





# AEROperfect™



## **AeroPerfect™ Technology** **Perfect hot air distribution for every cooking** **to perfection.**

AeroPerfect™ provides hot air distribution throughout the oven and minimize temperature fluctuation, ensuring even and precise cooking every time.



## Function Pizza Pro

The core heating element which has a maximum temperature of 310 °C, Connected to the fan and resistance works simultaneously for creating a perfect soft pizza with crunchy edges in just 5 minutes.

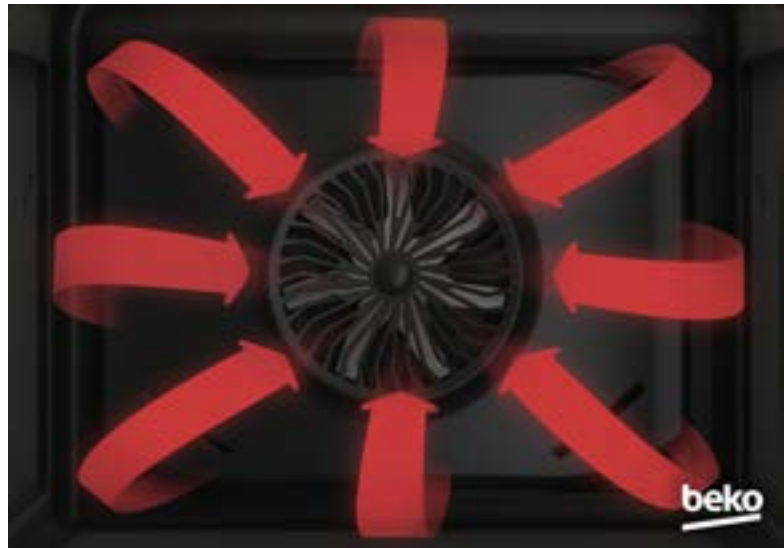


# Precise Cooking

The new oven cavity features continuous welding that minimizes heat loss.

The new precise temperature control algorithm is designed for minimum temperature fluctuation ( $\pm 1.5^{\circ}\text{C}$ ) inside the oven.

Precise Cooking allows food to be perfectly formed with desired texture every time.



# Motor BLDC



Depending on the different recipes and food types, the BLDC motor changes the direction and the speed of the fan during different stages of cooking to reach the desired homogeneity, color and texture of your food. It provides faster, fluffier and better browning (for bakery) and more juicy (for meat & poultry) cooking result.

# A Grill

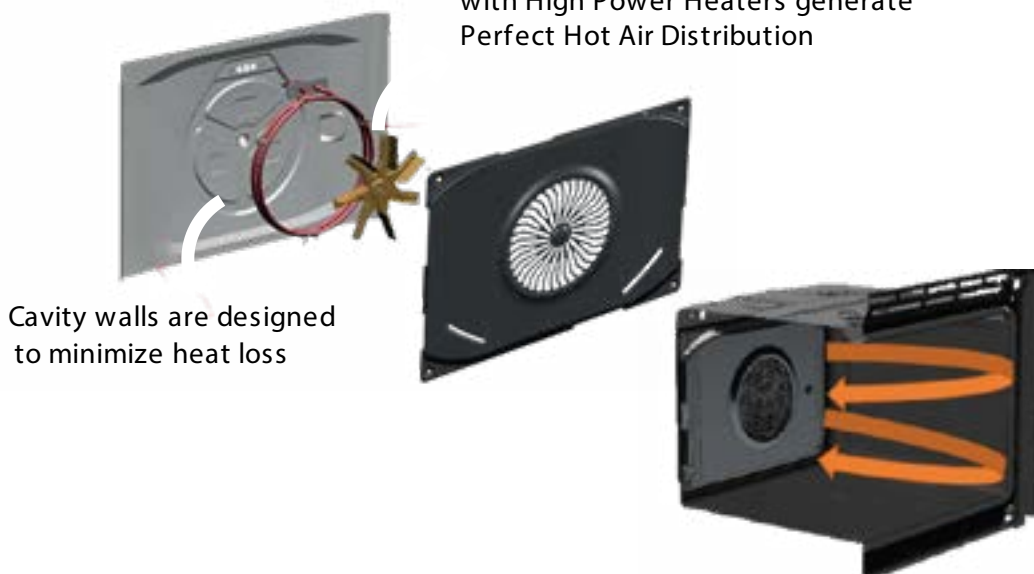
With New Grill Heater Design, The Grill surface is increased by 28% to optimizes the cooking of meat, vegetables, and pastas to give crunchy and golden results, But homogeneous and fast at the same time.



# AeroPerfect™

New fan system for perfect hot air distribution. This special aircraft inspired fan design & fan heating elements are re-designed to optimize hot air distribution for homogeneous cooking.

Efficient and High-Speed Fan together with High Power Heaters generate Perfect Hot Air Distribution



Cavity walls are designed to minimize heat loss



## Pyrolytic Self Cleaning



With all pyro-proof accessories and one touch of a button. The oven will heat up to 500 ° C. It can turn stubborn stain into ash with time duration 90 minutes for Light soiling or over 120 minutes for Heavy soiling, So those greases and dirt can be easily wiped away with damp cloth.

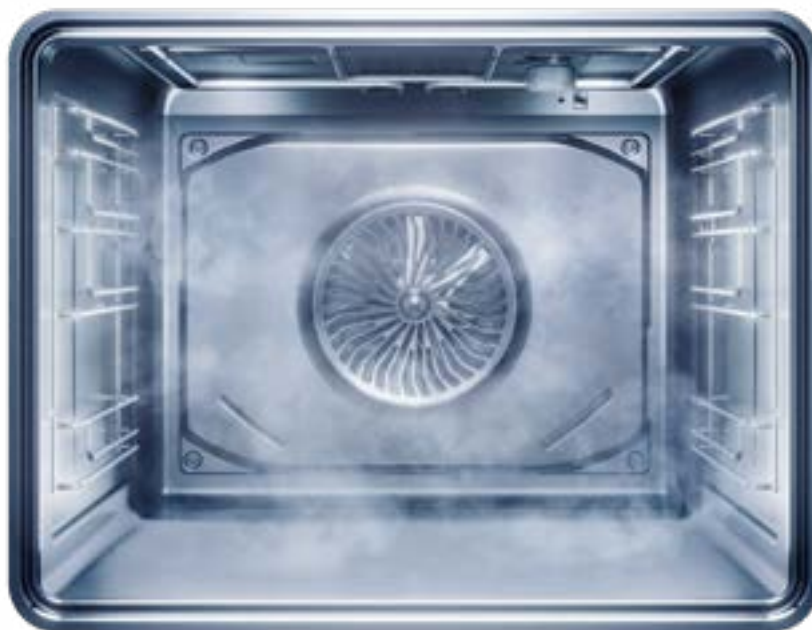
## HomeWhiz®



Beko offers a full range of smart appliances designed to make your life easier. The HomeWhiz® app, downloadable on smartphones, tablets, pc or smart TV, allows you to monitor and select countless remote settings. However, remote control and monitor are not the only benefits of a Beko-connected oven. In fact, There are many activities that can be carried out with the app such as discovering and setting recipes, viewing usage history, obtain performance data and possibly, Also advice on cleaning and using the oven in the cheaper time slots.

# Steam Cleaning

Through pre-setting progress, The oven temperature reaches to 96 ° C, And emits steam inside the cavity to soften dirt to render simpler and faster cleaning operations.



# Catalytic Walls



Catalytic Panels & Easy Clean Door offers you an easy cleaning solution. The interior side & back has catalytic panels to absorb grease & dirt. The inner glass door assembled free of bolts allows you to comfortably slide the glass door out to easily clean even those hard-to-reach spots. With Beko's easy-to-remove glass door, Cleaning your oven's door has never been this easy.



## Humidity sensor

Always get perfect recipes thanks to the presence of an intelligent humidity sensor capable of measuring the level of humidity inside the oven cavity and setting the correct steam levels according to the different possible temperatures.

## HydroClean

To clean Beko ovens, Simply pour a glass of water on the bottom of a pan and put it in the oven then turn on the appliance at a temperature of about 100 °C and wait for the heat to evaporate the liquid. In this way, the dirt will be softened allows you to easily clean the oven.



## Strong Grill

Quick Grill cooking, Ideal for toasting and cooking with a crispy cover taste.

## Pizza Pro

Thanks to the firing temperature of 310 ° C, So that we can get a soft pizza with crunchy edges like coming from a pizzeria oven in just 5 minutes.



## Low Temperature Cooking

To reduce the loss of meat weight more than 50% compared to traditional cooking methods. With the maximum operating temperature of 100 ° C allows you to get soft, tender and juicy grilled meats.





# Oven Built-In



**BBIM13400XPSWE**

MARKETING CODE 7757787641

**OVEN 72L bPRO 500 SERIES**



**SPECIFICATION & CHARACTERISTICS**

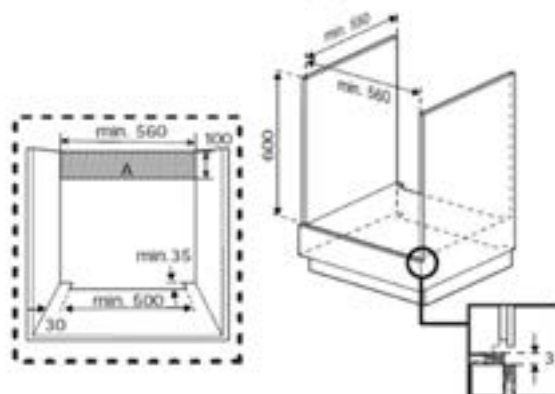
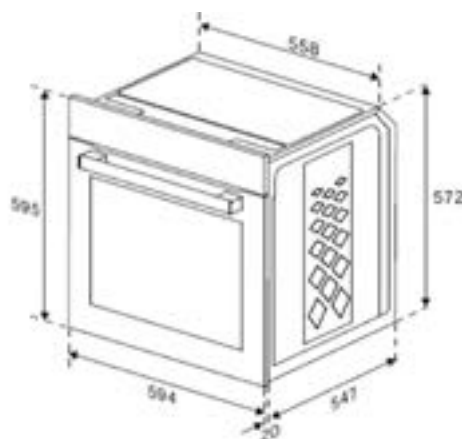
- Multifunctional Oven
- LED Display with Touch Control
- W594 x D567 x H595 mm
- Weight 36 Kg
- 5 Levels Side racks
- 1 Pull Out Shelf
- 4 Glass Doors
- Built-In Installation
- W560 x D550 x H600 mm

**FUNCTION**

- 15 Cooking Programs
- Homewhiz
- AeroPerfect™
- Pyrolytic Self Cleaning
- 3D Cooking
- PizzaPro
- Steam Cleaning
- Defrost Function

**TECHINAL INFORMATION**

- Energy Class A+
- Frequency : 50 Hz
- Voltage : 220-240V
- Total Electric Power 3,400 W





## BBIS25300XC

MARKETING CODE 7729486338

OVEN 72L  
bPRO 300 SERIES

### SPECIFICATION & CHARACTERISTICS

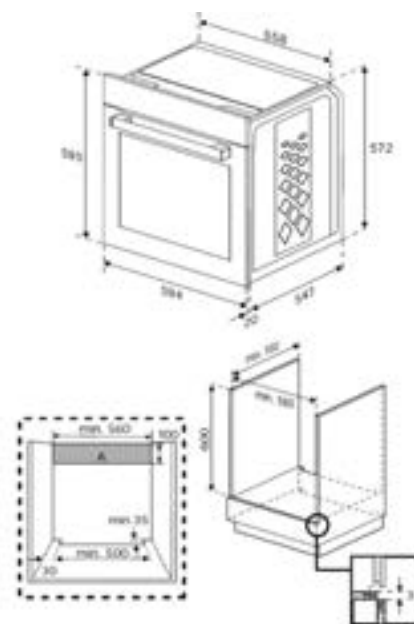
- Multifunctional Compact Oven
- LED Display with Touch Control
- Catalytic Back Wall
- W594 x D567x H595 mm
- Weight 36.1 Kg
- 5 Levels Side racks
- 2 Glass Doors
- Built-In Installation
- W560 x D550 x H600 mm

### FUNCTION

- 8 Cooking Programs
- AeroPerfect™
- 3D Cooking
- Steam Assisted Cooking
- Steam Cleaning
- Defrost Function

### TECHNICAL INFORMATION

- Energy Class A
- Frequency : 50 Hz
- Voltage : 220-240V
- Total Electric Power 3,400 W



## BBIE13100XC

MARKETING CODE 7727188417

OVEN 72L  
bPRO 100 SERIES

### SPECIFICATION & CHARACTERISTICS

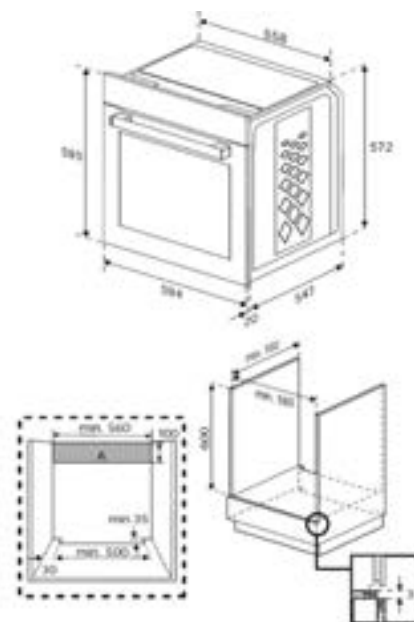
- Mechanical Control
- W594 x D567x H595 mm
- Weight 30 Kg
- 5 Levels Side racks
- Catalytic Back Wall
- 1 Pull Out Shelf
- 2 Glass Doors
- Built-In Installation
- W560 x D550 x H600 mm

### FUNCTION

- 6 Cooking Programs
- AeroPerfect™
- Booster Function
- Steam Cleaning
- Fan Assisted Cooking

### TECHNICAL INFORMATION

- Energy Class A
- Frequency : 50 Hz
- Voltage : 220-240V
- Total Electric Power 2,400 W





**BBIM12400XCS**

MARKETING CODE 7768382114

**OVEN 72L bPRO 500 SERIES**



**SPECIFICATION & CHARACTERISTICS**

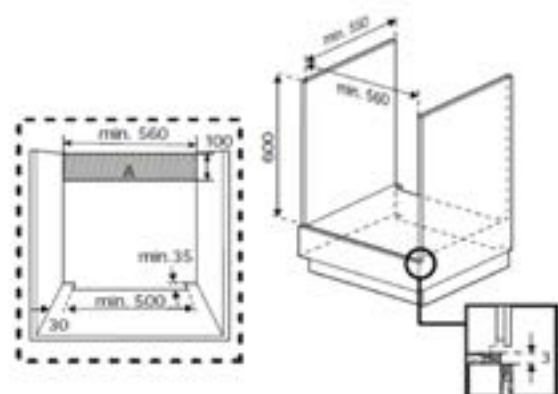
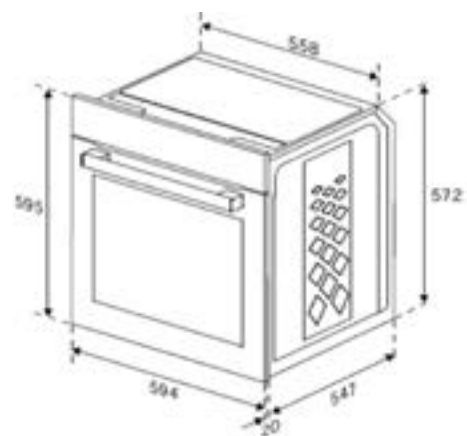
- Multifunctional Compact Oven
- LED Display with Touch Control
- Catalytic Back Wall
- W594 x D567 x H595 mm
- Weight 36.1 Kg
- 5 Levels Side racks
- 3 Glass Doors
- Built-In Installation
- W560 x D550 x H600 mm

**FUNCTION**

- 13 Cooking Programs
- AeroPerfect™
- 3D Cooking
- PizzaPro+
- Steam Cleaning
- Defrost Function
- Warm Keeping Function
- Auto Cooking Function
- Fan Assisted Cooking

**TECHINAL INFORMATION**

- Energy Class A+
- Frequency : 50 Hz
- Voltage : 220-240V
- Total Electric Power 3,400 W







BBIM12300X

MARKETING CODE 7768282918

OVEN 72L bPRO 300 SERIES



AeroPerfect™

3D Cooking

Cooking Programs

**SPECIFICATION & CHARACTERISTICS**

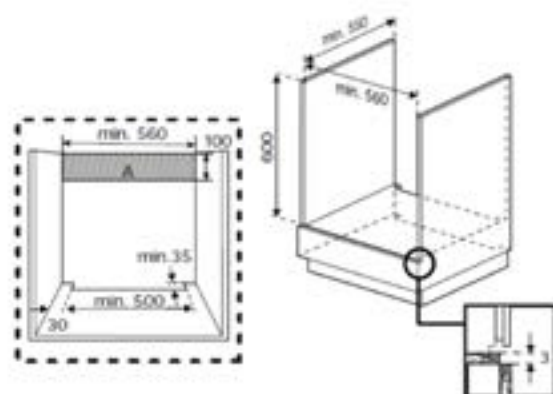
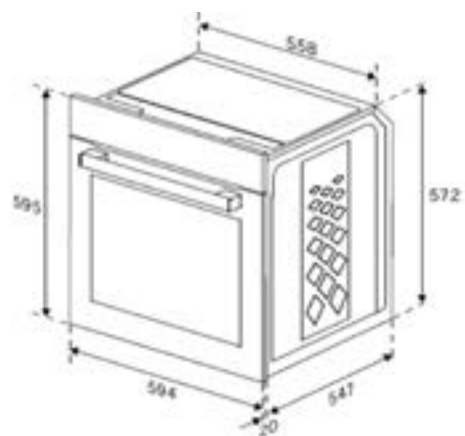
- Multifunctional Compact Oven
- LED Display with Touch Control
- W594 x D567 x H595 mm
- Weight 28.7 Kg
- 5 Levels Side racks
- 2 Glass Doors
- Built-In Installation
- W560 x D550 x H600 mm

**FUNCTION**

- 8 Cooking Programs
- AeroPerfect™
- 3D Cooking
- Steam Cleaning
- Defrost Function
- Fan Assisted Cooking

**TECHINAL INFORMATION**

- Energy Class A
- Frequency : 50 Hz
- Voltage : 220-240V
- Total Electric Power 2,500 W





# Oven Compact



# BBCW18400B

MARKETING CODE 7758089213

## OVEN 48L bPRO 300 SERIES



Cooking Programs



3D Cooking

### SPECIFICATION & CHARACTERISTICS

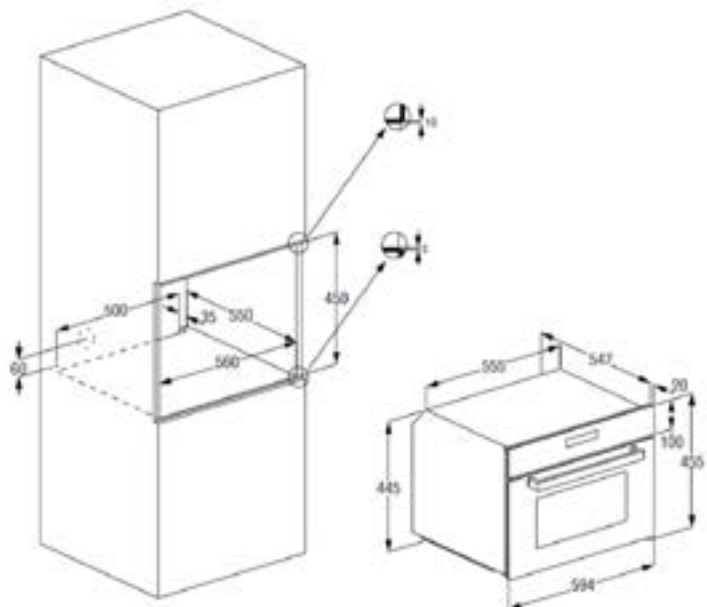
- Multifunctional Compact Oven
- LED display with Touch control
- W594 x D567 x H 455 mm
- Weight 44.3 Kg
- 3 Glass doors
- Built-In Installation
- W560 x D550 x H450 mm

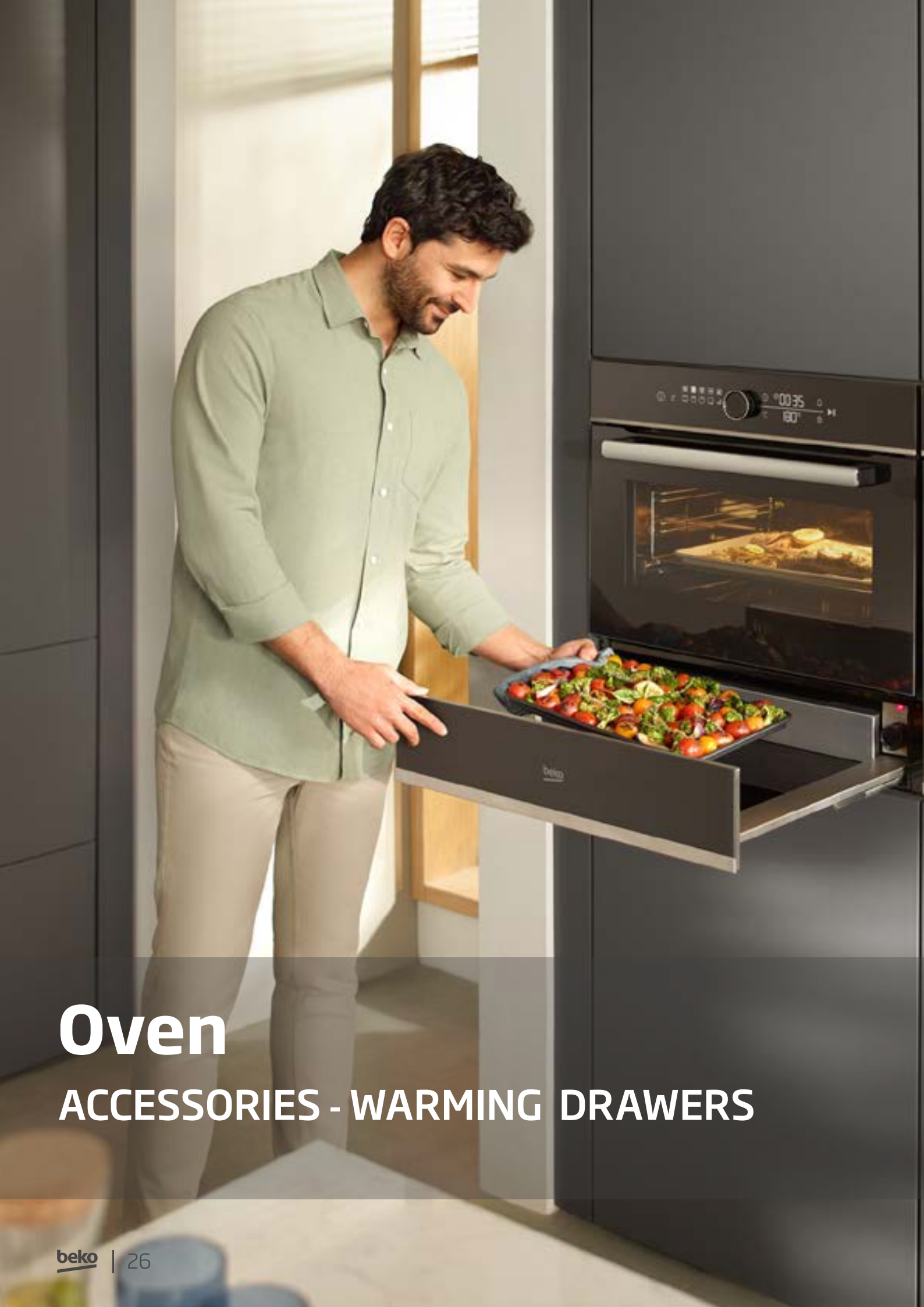
### FUNCTION

- 16 Cooking Programs
- 3D Cooking
- Fan Heating
- Steam Cleaning
- Defrost Function

### TECHINAL INFORMATION

- Energy Class A
- Frequency : 50 Hz
- Voltage : 220-240V
- Total Electric Power 2,700 W





# Oven

## ACCESSORIES - WARMING DRAWERS



## BDRW 11401 FB

MARKETING CODE 7757183806

## OVEN ACCESSORIES 22L bPRO 500 SERIES WARMING DRAWERS

### SPECIFICATION & CHARACTERISTICS

- W594 x D549 x H141 mm
- Weight 20.2 Kg
- Accessories for Built-in Compact Oven
- Black Glass Colour
- Built - in Installation
- W60 x D550 x H145 mm
- Black Glass Colour

### FUNCTION

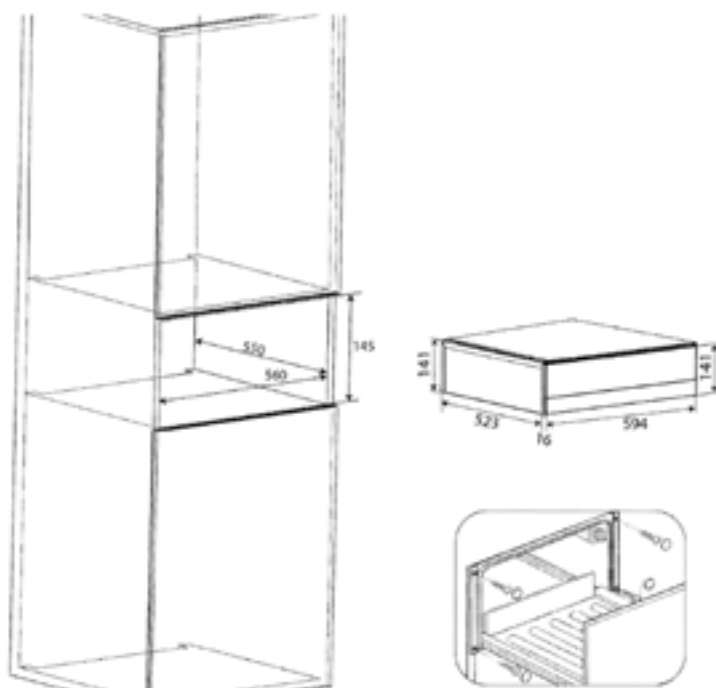
- 5 Function Available
- 4 Levels Adjustable Temperature from 30c to 80c
- Heating Plate

### COMPATIBLE MODELS

- BBCM13300X
- BBCM12300X

### TECHINAL INFORMATION

- Frequency : 50 Hz
- Voltage : 220-240V
- Total Electric Power 800 W





# Microwave



## MCB25433X

MARKETING CODE 8854003200

### MICROWAVE 25L bPRO 500 SERIES



CookingFunction



TimerSetting



GrillLevel

#### SPECIFICATION & CHARACTERISTICS

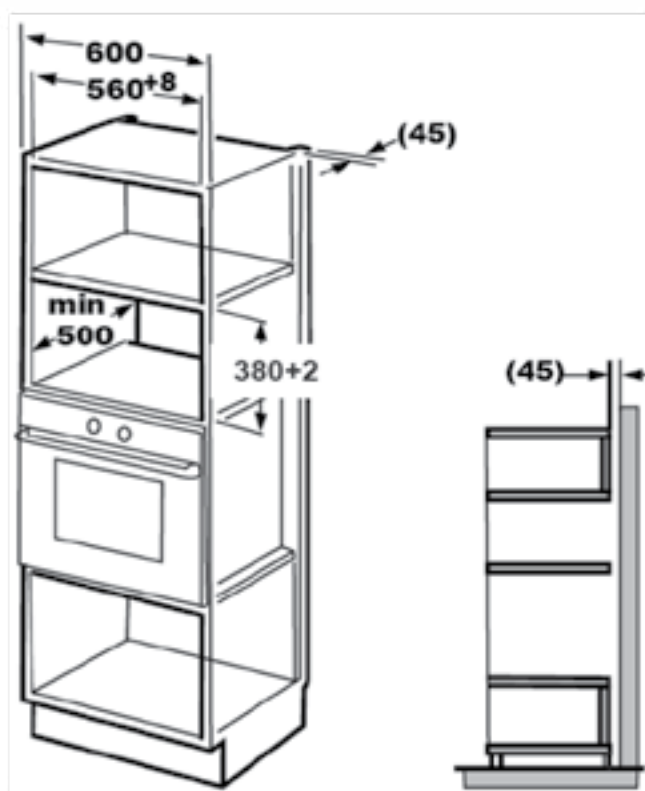
- Combination Microwave Oven
- W595 x D470 x H388 mm
- Weight 21 Kg
- Inox Colour
- Built-in Installation
- W560 x D500 x H380 mm

#### FUNCTION

- 8 Cooking Functions
- Microwave Output : 900W
- Grill Combination
- Convection
- Defrost Function
- Timer Setting 95 Mins
- 4 Grill Levels

#### TECHINAL INFORMATION

- Frequency : 50 Hz
- Voltage : 230V
- Total Electric Power
- Microwave : 1,450 W
- Convection : 2,500W
- Grill : 1,100 W









# Hobs



- Induction
- Ceramic
- Glass

# Everyone has their own ally in the kitchen.

The hob is the heart of the house, That's why it is necessary to fit any family style and /or individual stay. Induction hobs represent the most efficient cooking technology available. At the same time, they offer maximum flexibility.

Indyflex and Indyflex + solutions allow you to functionally process cooking zones of different sizes of the pot or pan usage.

TouchDirect Control and TouchDirect Control + at 9 or 15 power levels allow you to set the temperature and cooking time desired with maximum precision and simplicity, They also give the freedom to access directly and independently to each cooking zones to create space for everyone to enjoy. Finally, for those who prefer gas hobs. The innovative system with high burners efficiency satisfies flame lovers with the guarantee of a yield similar to Induction Technology. the heat distribution is perfect because the flame reaches every point of the cooking vessels.

Results: No waste and reduced cooking times.

This is just an appetizer:  
See all the other characteristics of our hobs.







## TempAssist

Providing the best cooking temperatures for your dish. TempAssist helps you for perfect cooking results.

Infrared sensor beneath the glass detects the temperature of food inside of pan. In order to detect the temperature correctly, AI-assisted algorithms work separately for different types of food.

Automatic cooking menus for 3 different cooking types:

1. Low Temperature Cooking
2. Pan Frying
3. Deep Frying

# Booster Function



Booster Function allows you to get your meal done within a limited time in one touch. With high booster power (Up to 3,7 kW for 21cm zone) the cooking process will be faster.

# Catalytic Walls



The User does not need to select the pot position from the control panel. It automatically illuminates the related zone on user interface for ease of use. Autozone detection provides a comfortable cooking experience and ease of control.



# Touch Direct Control+

Induction hobs with Touch Direct technology Control + is easy to use and particularly elegant. When the plant is off, the panel control results completely invisible, But just one touch of the power button, It will light up the picture commands. permitting to choose the power desired among the 15 levels available, set timer, start the booster function or select one of the automatic menus.



# Touch Direct Control



Thanks to the electronic control at 9 power levels, It helps us to simply, easily and quickly set the temperature and desired cooking time, Also each area is independently equipped with their own control panel.





# IndyFlex+®

The New IndyFlex+® Technology has 8 zones you can use it separately or combine in 4 to use as 2 large units. Plus, one additional zone in the middle of the hob helps create even larger zones, with the hob automatically adjusting to match the size of your pots and pans. The New IndyFlex+® offers you independent cooking area to suit every desire.



# IndyFlex®

IndyFlex™ Zone - Merge two zones at the touch of a button. When you need to use a larger pan, you can easily merge two cooking zones together. Thanks to IndyFlex™ Zone technology in our induction cooktop.



# High Efficiency Burners



If you need to cook fast with different pots, you can count on Beko High- Efficiency burners that allow you to adjust the flame with extreme precision and ideal temperature for every food and every need, Results 25% greater cooking efficiency compared standard to burners.

BURNERS COMPARISON  
35% OF TIME SAVING  
25% OF ENERGY SAVING



CONVENTIONAL BURNERS

HIGH EFFICIENCY BURNERS



## High Power Burners

Our high power in hob helps you reach high heat within short time which best for cooking a tender meat and fish. As total power of the hob is divided among cooking zone, Having a powerful hob is necessary and our burners has maximum power up to 10.8kW Power to compete that.

## Burners Wok

Double burners ensure reduced cooking times compared to a standard burner without compromising the nutritional value of food. Thanks to the three flame rings of these burners, You will get one better heat distribution at the pot base, ensuring excellent cooking performance.

## Safety

The electronic ignition is integrated into the hob next to the burner and the device for the absence of flame, which automatically interrupts the gas supply if the flame goes out accidentally due to the overflow of liquid or due to any other reason.

# FlameAdjust®

With FlameAdjust®, Power levels can be adjusted up to with 9 predefined levels. Illuminated serigraphy indicates the cooking levels of each active burner to the user from a certain distance.



## Power Management



With Power Management, A feature having 5 different levels, allow users to be able to set their maximum power level for induction hobs while they are installing the hob for the first time. Also, they will be able to reset it afterward according to their wish.

# Boil Sensor



No need to keep track of what is boiling on the hob. When Beko Hobs has the Boil Sensor function. The function that detect the boiling and warn the users when it starts to simmer, prevent spilling & overflowing while boiling water.

# EasyFit

Thanks to this function, Hob installation can be done in a second.

The clips mounted on the side of the appliance make it stable and safe, avoid the risk of getting hurt by using of screwdrivers.





# HOBBS

## INDUCTION



## HIXI 84700 UF

MARKETING CODE 7757183604



BridgeFunction



AutoPan



Cooking with 9



Timer setting



AutoShutdown

## EXTRACTOR INDUCTION HOBS SIZE 80 CM X bPRO 700 SERIES

### SPECIFICATION & CHARACTERISTICS

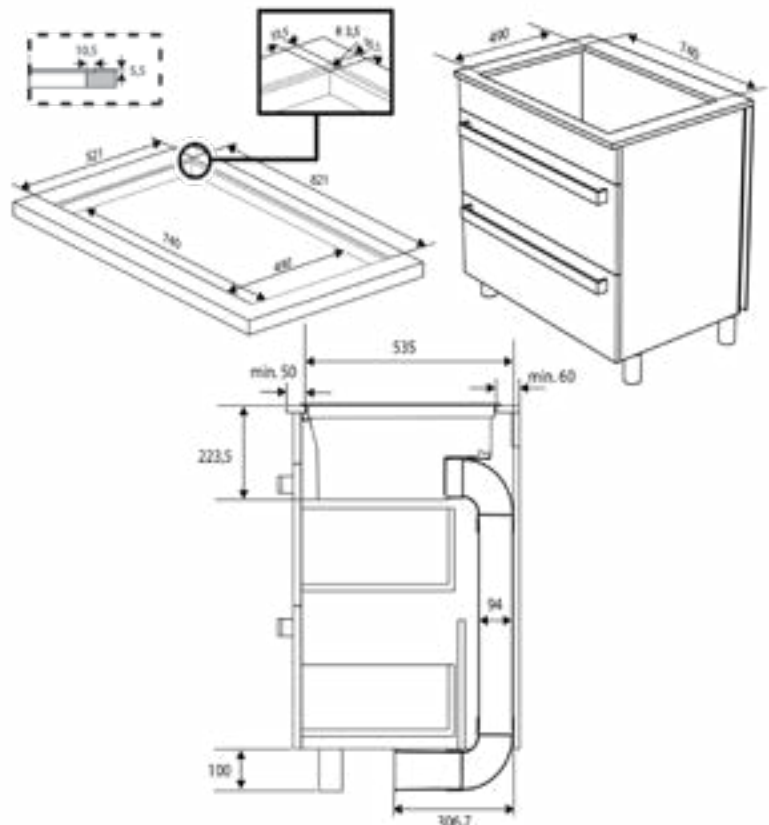
- Induction Hob Extractor
- W820 x D520 x H223 mm
- Weight 24.6 Kg
- 4 Induction Cooking zones + 1 Flexizone
- Ventilation Capacity : 630 m<sup>3</sup>/h
- Hood Motor Type: BLDC Inverter
- Noise Level 44 dBA - 73 dBA
- Built-in Installation  
W740 X D490 mm

### FUNCTION

- 9 Cooking Levels
- Bridge Function
- Automatic pan recognition
- Booster Function
- Stop & Go Function
- Residual Heat Indicator
- Automatic Shut-off
- Timer Setting
- Overheat Safety

### TECHINAL INFORMATION

- Frequency : 50 Hz
- Voltage : 220-240V
- Total Electric Power 7,400 W
- Product Dimension : W820xD520xH233 mm
- Installation Dimension : W70xD490 mm





## HIXI 64700 UF

MARKETING CODE 7757183603



BridgeFunction

AutoPan

Cooking levels

Timer setting

AutoShutDown

## EXTRACTOR INDUCTION HOB'S SIZE 60 CM X bPRO 700 SERIES

### SPECIFICATION & CHARACTERISTICS

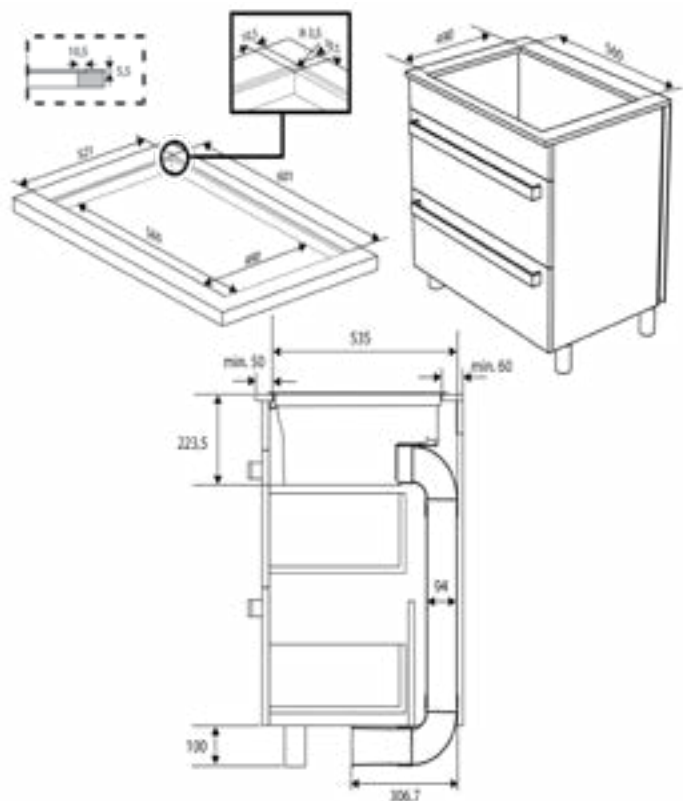
- Induction Hob Extractor
- W600 x D520 x H223 mm
- Weight 19.9 Kg
- 4 Induction Cooking zones + 1 Flexizone
- Ventilation Capacity : 620 m<sup>3</sup>/h
- Hood Motor Type: BLDC Inverter
- Noise Level 45 dBA - 73 dBA
- Built-in Installation  
W560 X D490 mm.

### FUNCTION

- 9 Cooking Levels
- Bridge Function
- Automatic pan recognition
- Booster Function
- Stop & Go Function
- Residual Heat Indicator
- Automatic Shut-off
- Timer Setting
- Overheat Safety

### TECHNICAL INFORMATION

- Frequency : 50 Hz
- Voltage : 220-240V
- Total Electric Power 7,400 W
- Product Dimension : W600xD520xH233 mm
- Installation Dimension : W560xD490 mm







## HII 68811 NT

MARKETING CODE 7757187671

INDUCTION HOBS SIZE 60 CM  
bPRO 700 SERIES

### SPECIFICATION & CHARACTERISTICS

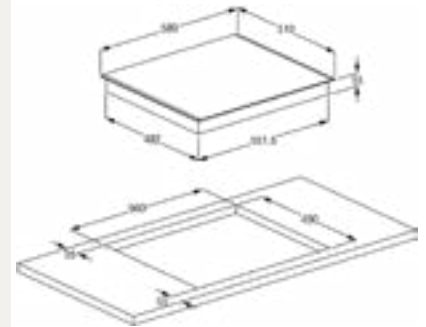
- Induction Hob
- Bevelled Glass Front & Back Edges
- W580 x D510 x H55 mm
- 8 Induction Zones + 2 Flexizones + 1 Extend zone
- Built-in Installation  
W560 x D490 mm

### FUNCTION

- 15 Cooking Levels
- Bridge Function
- Automatic pan recognition
- Booster Function
- Stop & Go Function
- Residual Heat Indicators
- Timer Setting
- Automatic Shut-off
- Overheat Safety

### TECHINAL INFORMATION

- Frequency : 50 Hz
- Voltage : 220-240V  
Front Left / Rear Left : 3,600 / 3,600 Watt  
Front Right / Rear Right : 3,600 / 3,600 Watt  
Center zone : 1,800 Watt
- Total Electric Power 7,400 W



## HII64206F2MT

MARKETING CODE 7757189230

INDUCTION HOBS SIZE 60 CM  
bPRO 300 SERIES

### SPECIFICATION & CHARACTERISTICS

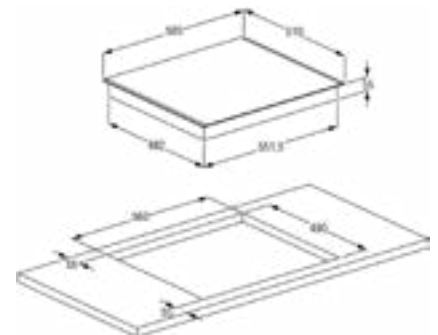
- Induction Hob
- Bevelled Glass Front Edges
- W580 x D510 x H55 mm
- Weight 9.8 Kg
- 4 Induction Zones + 2 Flexizones
- Built-in Installation  
W560 x D490 mm

### FUNCTION

- 9 Cooking Levels
- Automatic pan recognition
- Bridge Function
- Booster Function
- Stop & Go Function
- Residual Heat Indicators
- Timer Setting
- Automatic Shut-off
- Overheat Safety

### TECHINAL INFORMATION

- Frequency : 50 Hz
- Voltage : 220-240V  
Front Left / Rear Left : 2,000 / 2,000 Watt  
Front Right / Rear Right : 2,000 / 2,000 Watt
- Total Electric Power 7,200 W





H1163205MT

MARKETING CODE 7757188025



AutoPan



9 Cooking Levels



Time Setting



Auto Shut-down

INDUCTION HOBS SIZE 60 CM X bPRO 300 SERIES

**SPECIFICATION & CHARACTERISTICS**

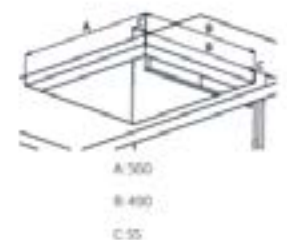
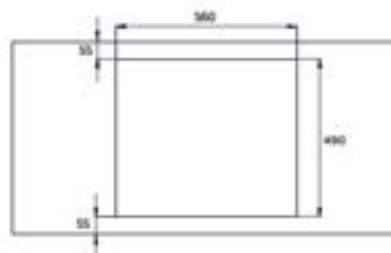
- Induction Hob
- W580 x D510 x H55 mm
- Weight 10.1 Kg
- 3 Induction Zones
- Built-in Installation  
W560 x D490 mm

**FUNCTION**

- 9 Cooking Levels
- Automatic pan recognition
- Booster Function
- Stop & Go Function
- Residual Heat Indicators
- Timer Setting
- Automatic Shut-off

**TECHINAL INFORMATION**

- Frequency : 50 Hz
- Voltage : 220-240V
- Front Left : 2,000 / 2,300 w (Max/Boost)
- Rear Left : 2,000 / 2,300 w (Max/Boost)
- Right Zone : 2,000 / 3,600 w (Duo Boost)
- Total Electric Power 7,200 W





## HDMI32400DT

MARKETING CODE 7787087601



AutoPan



9 Cooking Levels



Timer Setting



Auto Shut-off

## INDUCTION HOBS SIZE 30 CM X bPRO 300 SERIES

### SPECIFICATION & CHARACTERISTICS

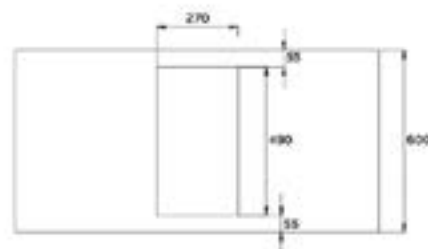
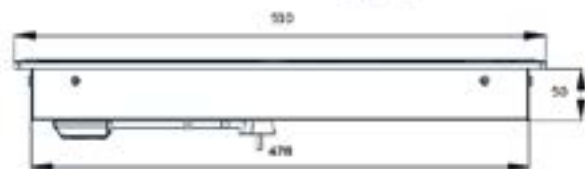
- Induction Hob
- W288 x D510 x H50 mm
- Weight 5.9 Kg
- 2 Induction Zones
- Built-in Installation  
W270 x D490 mm

### FUNCTION

- 9 Cooking Levels
- Automatic pan recognition
- Booster Function
- Timer Setting
- Automatic Shut-off

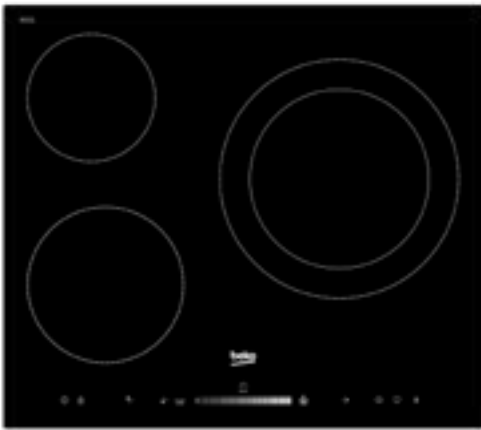
### TECHNICAL INFORMATION

- Frequency : 50 Hz
- Voltage : 220-240V  
Front Zone : 1,400 W  
Rear Zone : 2,300 / 3,000W (Max / Boost)
- Total Electric Power 3,600 W





# HOB CERAMICS



## HIC 63501 T

MARKETING CODE 7756187602

CERAMICS HOBS SIZE 60  
CMbPRO 500 SERIES

### SPECIFICATION & CHARACTERISTICS

- Ceramics Hobs 3 Zone
- W580 x D510 x H45 mm
- Weight 8.6 Kg
- Built-in Installation  
W560 x D490 mm

### FUNCTION

- 19 Cooking Levels
- Booster Function
- Memory Function
- Timer Setting
- Overheat Safety
- Automatic Shut-off

### TECHINAL INFORMATION

- Frequency : 50 Hz
- Voltage : 220-240V
- Front Left Zone 1,800W
- Rear Left Zone 1,200W
- Rear Right Zone 1,800/2,700W
- Total Electric Power 5,700 W



## HDMC32400TX

MARKETING CODE 7724087704

CERAMICS HOBS SIZE 30 CM  
bPRO 500 SERIES

### SPECIFICATION & CHARACTERISTICS

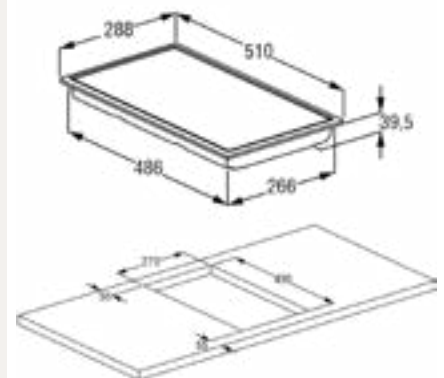
- Ceramics Hobs 2 Zone
- W288x D510 x H39.5 mm
- Weight 5.9 Kg
- Built-in Installation  
W270 x D490 mm

### FUNCTION

- 9 Cooking Levels
- Timer Setting
- Automatic Shut-off

### TECHINAL INFORMATION

- Frequency : 50 Hz
- Voltage : 220-240V
- Front Zone 1,200W
- Rear Zone 1,800W
- Total Electric Power 3,000W





# HOBBS

## GAS



## HDMS 3220 FX

MARKETING CODE 7725588306

GAS HOB S SIZE 30 CM  
bPRO 300 SERIES

### SPECIFICATION & CHARACTERISTICS

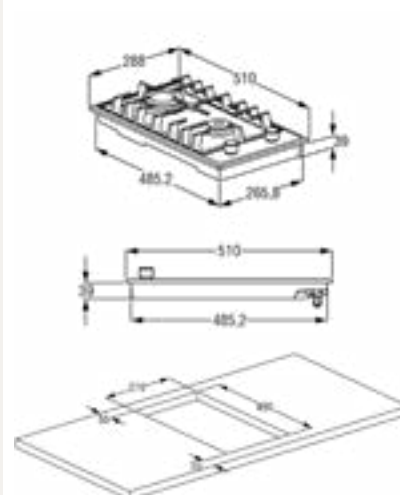
- Gas Hob s
- W288 x D510 x H39 mm
- Weight 6.1 Kg
- 2 Hob s Burner
- Built-in Installation  
W270 x D490 mm
- Glass Burner Plate

### FUNCTION

- Integrated Ignition Type
- Gas Safety Device

### TECHINAL INFORMATION

- Total Electric Power 3,900 W



## HIEW 72242 SOX

MARKETING CODE 8865463200

GAS HOB S SIZE 75 CM  
bPRO 500 SERIES

### SPECIFICATION & CHARACTERISTICS

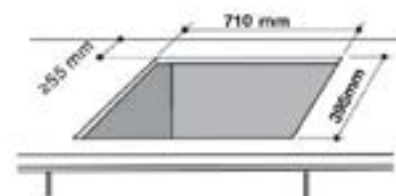
- Gas Hob s
- W760 x D450 x H145 mm
- Weight 11.2 Kg
- 2 Hob s Burner
- Built-in Installation  
W710x395 mm
- Stainless Steel Burner Plate

### FUNCTION

- Integrated Ignition Type
- Gas Safety Device

### TECHINAL INFORMATION

- Power Saving Class A
- Power Consumption 48.1 kWh/Annual
- Total Electric Power 3,900 W





## HIEW 72242 SOB

MARKETING CODE 8865473200

INDUCTION HOBS SIZE 75 CM  
bPRO 500 SERIES

### SPECIFICATION & CHARACTERISTICS

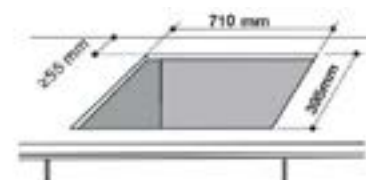
- Gas Hobs
- W760 x D450 x H145 mm
- Weight 13.5 Kg
- 2 Hobs Burner
- Built-in Installation  
W710xD395 mm
- Stainless Steel Burner Plate

### FUNCTION

- Integrated Ignition Type
- Gas Safety Device

### TECHINAL INFORMATION

- Right Burner : 5.2 kw
- Left Burner : 5.2 kw



## HIEW 73242 SOB

MARKETING CODE 8864113200

INDUCTION HOBS SIZE 75 CM  
bPRO 500 SERIES

### SPECIFICATION & CHARACTERISTICS

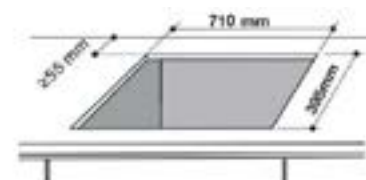
- Gas Hobs
- W760 x D450 x H145mm
- Weight 13.5 Kg
- 2 Hobs Burner + 1 Gas Burner
- Built-in Installation  
W710xD395 mm
- Stainless Steel Burner Plate

### FUNCTION

- Integrated Ignition Type
- Gas Safety Device

### TECHINAL INFORMATION

- Right Burner : 5.2 kw
- Counter Burner : 1.6 kw
- Left Burner : 5.2 kw







**HILW75222SL**

MARKETING CODE 7712287621

**GAS HOBS SIZE 75 CM x bPRO 500 SERIES**

**SPECIFICATION & CHARACTERISTICS**

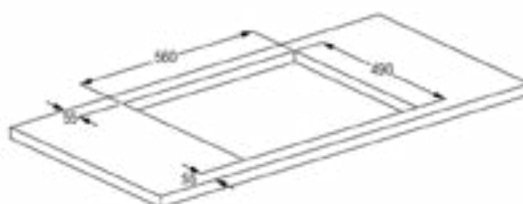
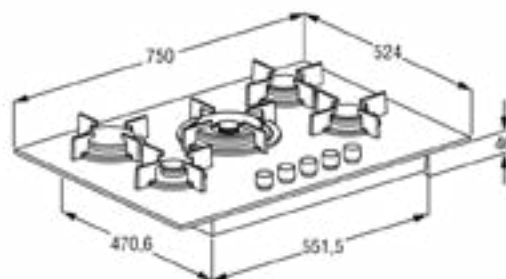
- Gas Hobs
- W750 x D524 x H46 mm
- Weight 19.2 Kg
- 4 Hobs Burner + 1 Gas Burner
  - Front Left : 1 kw
  - Front Right : 1.75 kw
  - Rear Left : 2.9 kw
  - Rear Right : 1.75 kw
  - Center : 5 kw
- Built-in Installation  
W560xD490 mm
- Glass Burner Plate

**FUNCTION**

- Integrated Ignition Type
- Gas Safety Device

**TECHINAL INFORMATION**

- Gas type : LPG
- Pressure : 30 Mbar







# Hoods



- Wall - Mounted
- Slimline

# Breathe the fresh air

Beko hoods are timeless products which can be installed in every kinds of kitchens: Efficient ,functional, invisible or protagonists. It could give intact cleanliness of the furniture lines or act as a distinctive element of personality and uniqueness.

Thin, elegant and precious, The wall- mounted hood will give a touch of class to your kitchen: distinguished high ranking of full efficiency innovation.

With particular geometries that evoke futuristic scenarios and modern form. Besides excellent performance, these hoods designed to satisfy every needs of aesthetics, practicality and functionality. There is also technology that allows a diffusion of light optimal and homogeneous which ensures a perfect view on the hob without annoying shadows.

Under-cabinet hoods are characterized by ease of installation, usage and maintenance: There is always a solution for every spaces requirement, Implemented in the sign of a perfect balance to enhance the surrounding environment.

Discover all our hoods  
to suit your kitchen



beko

PIZZA



## HomeWhiz®



Beko offers a full range of smart appliances designed to make your life easier. The HomeWhiz® app, downloadable on smartphones, tablets, pc or smart TV, allows you to monitor and select uncountable remote settings.



## HeatSense™

The presence of sensors at the base and inside the hood help to detect different temperatures allowing the appliance to independently identify and set the correct level aspiration as well as optimize energy consumption to maximum and keep the noise level to a minimum.

## SmellSense™

The VOC (volatile organic compounds) sensor is able to detect the quantity of hydrocarbons, hydrogen and alcohol inside the smoke that coming from the hob. From there, your hood can detect the odour intensity and adjust its ventilation accordingly, so your kitchen stays odour free while you work on getting dinner perfectly prepared!



# HOODS

## WALL MOUNTED



## HOODS WALL MOUNTED



### BHCB97841BBHSI

MARKETING CODE 7706331107

WALL MOUNTED HOODS  
90 CM  
HOMEWHIZ

#### SPECIFICATION & CHARACTERISTICS

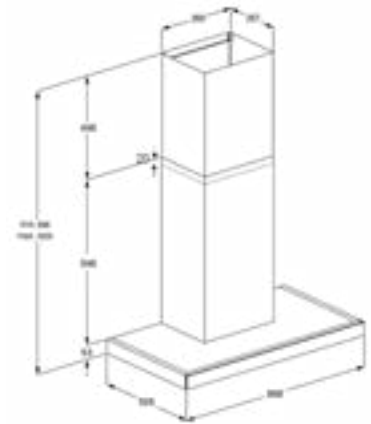
- Wall mounted Hoods
- 3 Metal-Cassette Grease Filters
- W898 x D505 x H599 mm
- Weight 10.3 Kg
- Prosmart™ Inverter
- Glass touch control panel

#### FUNCTION

- 4 Power Levels
- Timer Setting Available
- Air Cleaning Function
- Auto Shutdown
- Carbon Filter
- Wireless Connectivity (Wifi) Available

#### TECHNICAL INFORMATION

- Ventilation Capacity (Min/Max) : 220-850 m³/h
- Air flow (Min/Max): 204-425 m³/h
- Noise 41-76 dBA
- Power Saving A
- Grease Filter Efficiency Class A
- Power 160 W



## HOODS WALL MOUNTED



### BHCA97841BBHSI

MARKETING CODE 7705331205

WALL MOUNTED HOODS  
90 CM  
HOMEWHIZ

#### SPECIFICATION & CHARACTERISTICS

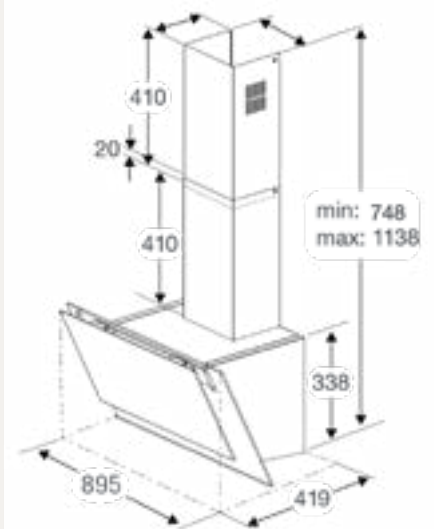
- Wall mounted Hoods
- 3 Metal-Cassette Grease Filters
- W895 x D419 x H748 mm
- Weight 18.0 Kg
- Prosmart™ Inverter

#### FUNCTION

- 4 Power Levels
- Timer Setting Available
- Air Cleaning Function
- Air Diverter (Recirculated Operation)
- Auto Shutdown
- Charcoal Filter
- Saturation Indicator
- Wireless Connectivity (Wifi) Available

#### TECHNICAL INFORMATION

- Ventilation Capacity (Min/Max) : 190-850 m³/h
- Air flow (Min/Max): 190-435 m³/h
- Noise 39-74 dBA
- Power Consumption 270 kWh/year
- Power Saving A+
- Grease Filter Efficiency Class B
- Power 220 W





## HCB93241X

MARKETING CODE 8866013200



Power Level



Metal Oil Collector

## WALL MOUNTED HOODS 90 CM

### SPECIFICATION & CHARACTERISTICS

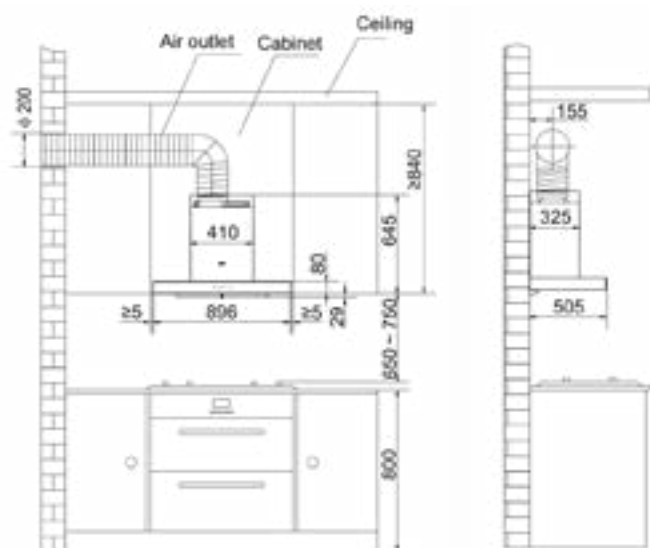
- Wall mounted Hoods
- 1 Metal-Grease Filter
- W896 x D505 x H645 mm
- Weight 36 Kg
- Universal Motor
- Glass touch control panel

### FUNCTION

- 4 Power Levels
- Auto Shutdown
- Dishwasher Safe Filters
- Metal Oil Collector

### TECHNICAL INFORMATION

- Maximum Ventilation Capacity : 1,171 m<sup>3</sup>/h
- Air flow (Min/Max): 190-435 m<sup>3</sup>/h
- Noise 67 dBA
- Power 253 W



## HOODS WALL MOUNTED



### HCB93041XB

MARKETING CODE 8850793200

WALL MOUNTED HOODS  
90 CM  
b300 SERIES

#### SPECIFICATION & CHARACTERISTICS

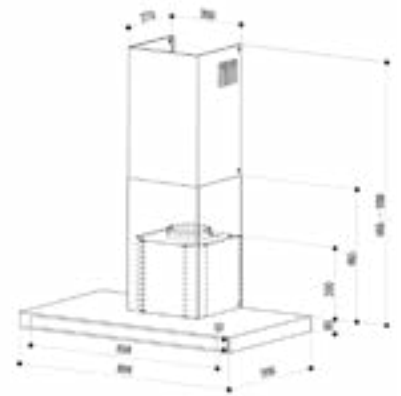
- Wall mounted Hoods
- 3 Metal-Baffle Grease Filters
- W898 x D500 x H545 mm
- Weight 11.3 Kg
- BLDC Inverter Motor
- Prosmart™ Inverter

#### FUNCTION

- 4 Power Levels
- Timer Setting Available
- Auto Shutdown
- Charcoal Filter
- Dishwasher Safe Filter
- Metal Oil Collector

#### TECHINAL INFORMATION

- Maximum Ventilation Capacity (Min/Max) 1000 m<sup>3</sup>/h
- Air flow (Min/Max): 204-425 m<sup>3</sup>/h
- Noise 66 dBA
- Power 400 W



## HOODS WALL MOUNTED



### HCB93042X

MARKETING CODE 8850803200

WALL MOUNTED HOODS  
90 CM  
b300 SERIES

#### SPECIFICATION & CHARACTERISTICS

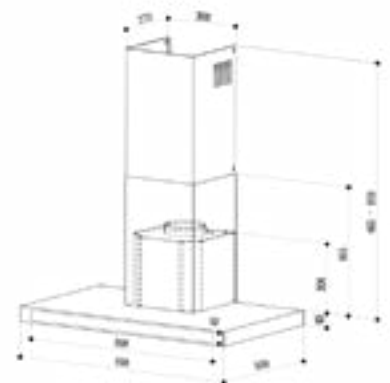
- Wall mounted Hoods
- 3 Metal-Baffle Filters
- W898 x D500 x H530 mm
- Weight 11.3 Kg
- Universal Motor

#### FUNCTION

- 4 Power Levels
- Timer Setting Available
- Auto Shutdown
- Oil Collector

#### TECHINAL INFORMATION

- Maximum Ventilation Capacity (Min/Max) 1000 m<sup>3</sup>/h
- Air flow (Min/Max): 204-425 m<sup>3</sup>/h
- Noise 66 dBA
- Power 400 W





## CTB 6250 B

MARKETING CODE 8842113200



### SLIMLINE HOODS 60 CM

#### SPECIFICATION & CHARACTERISTICS

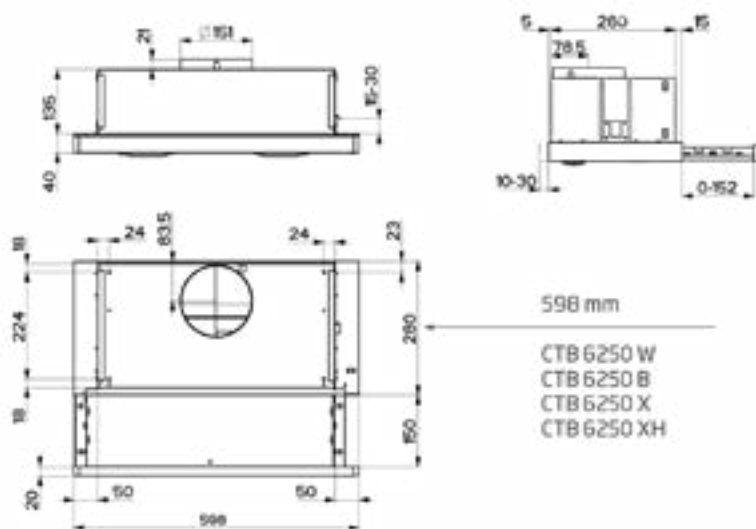
- Slimline Hoods
- 3 Metal-Cassette
- W598 x D280 x H175 mm
- Weight 9.5 Kg
- Universal Motor

#### FUNCTION

- 3 Power Levels Setting
- Carbon Filter(CTB6250 x XH)

#### TECHINAL INFORMATION

- Ventilation Capacity : 420 m<sup>3</sup>/h
- Air flow (Min/Max): 190-435 m<sup>3</sup>/h
- Noise 69 dBA





## CTB 6250 XH

MARKETING CODE 8844773200



Power Level

### SLIMLINE HOODS 60 CM

#### SPECIFICATION & CHARACTERISTICS

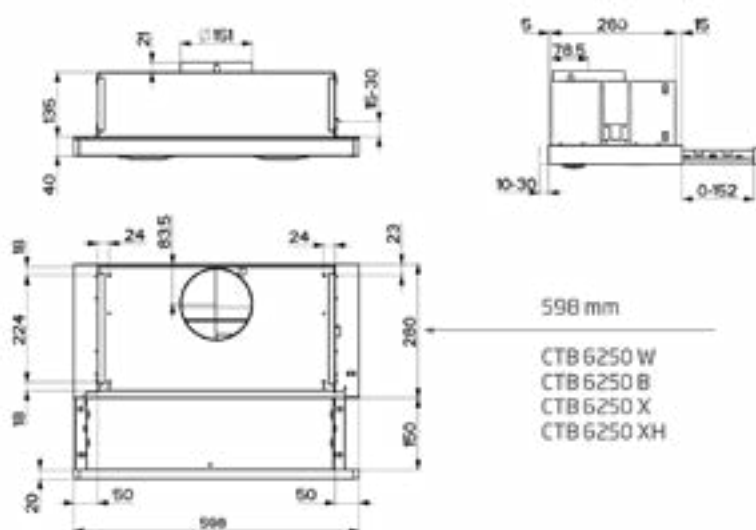
- Slimline Hoods
- 3 Metal-Cassette
- W598 x D280 x H175 mm
- Weight 9.5 Kg
- Universal Motor

#### FUNCTION

- 3 Power Levels Setting
- Carbon Filter(CTB6250 x XH)

#### TECHNICAL INFORMATION

- Ventilation Capacity : 420 m<sup>3</sup>/h
- Air flow (Min/Max): 190-435 m<sup>3</sup>/h
- Noise 69 dBA







# Dishwasher



- Freestanding
- Table top

# For those who love Cooking, They will no longer need to wash all by themselves.

There are many people who love cooking, And most of them find washing dishes is unpleasant. Beko is not only by their side during the preparation of dishes and recipes, but also be a helpful partner when it comes to cleaning time.

To make it lighter and faster, we have developed technologies and functions innovative that allow you to store everything in the dishwasher and ensure to get perfectly clean dishes.

Thanks to the three-way rotating sprinkler arms of CornerIntense® , It can reach every corner of the lowest basket and allows you to thoroughly clean even the deepest spot of the pot dirty without need to re-wash them again. The third Flexible basket help to find the place right for all utensils with any shape and size. Also, protect dedicated area of small cups and the least objects.

The Fast+ function, On the other hand, reduces the duration of washing cycle up to 50%. Comes up with Inverter Motor which help you to save up water consumption.

Results: Perfect and Maximum flexibility that everyone can reach.

Get ready to find out a new way of cleaning.









# CornerIntense®



CornerIntense® dishwashers feature an Innovative Special spray arm designed to reach every corner even hard-to-reach spot.

## ProSmart™ Inverter Motor

The ProSmart Inverter™ Motor makes the Beko dishwashers twice more silent, guarantees high energy performance and does not waste water unnecessarily, using only the one really needed.

\* tested in internal laboratories.



✓ Maximum Efficiency

✓ Maximum Durability

✓ Maximum Silent

## LedSpot

If your built-in dishwasher is so quiet that you find yourself guessing whether it's running or not here is LedSpot.

LedSpot is a program status indicator light that shines on the floor at the base of the machine to let you know if it's running or not.

No more guesswork for when to unload the dishwasher



## GlassShield®

The automatic control of the water hardness associated with a more delicate pressure prevents corrosion of the crystals. With this innovative technology, even the most delicate glasses will shine and clean.



# Sliding Cutlery Basket

The cutlery basket's a clever invention but it gets in the way when you want to place a large pot in the lower rack. Well, the Sliding Cutlery Basket solves that problem by moving freely to the right and left so you have room to fit in those bulkier items.



# 3 Position Acrobat System



Say goodbye to all those times you can't figure out how to fit large dishes or long-stem glasses into the dishwasher. Now with the 3 Position Acrobat System, you can adjust the upper rack to 3 different positions to create more room on the lower rack for large dishes.



## Closed Fan Drying System

Special diverter system that directs the absorbed air In and Out of the dishwasher.

## Active Fan Drying Technology

With the sustained air circulation and the control of the temperature allows you to put the dry dishes in the cupboard immediately without burning yourself. The hot and humid inside the tank will be plunged by a fan and then discharged externally.

It requires a higher water temperature for the second rinse than the "Closed Fan Drying System".

## WaterSafe+

WaterSafe+ is an anti-flooding system: the presence of a double sheath on the inlet pipe can contain water in case of any spills.

Watersafe+ is an even safer system: in addition to the function of the double sheath, it has a special one solenoid valve connected to the water supply that immediately stops any outgoing water flow.



## Digital Programmer

Select the desired washing function and follow the washing steps is more simple thanks to the new programmer digital of Beko dishwashers.

## Hygiene+

It is the function that guarantees the maximum hygiene, thanks to the steam generated from above temperature and additional rinse that allow you to kill 99.9% of viruses and bacteria.

## All in 1

In the case of using tablet detergent, the All in 1 button allows you to adjust the washing cycle in order to achieve cleaning results and optimal drying.

## SteamGloss®

The 10 minutes SteamGloss® hot cycle give shine dishes and glasses like new \*30% of extra brilliance for ceramic tableware,\*23% more for glass.

\* Tested by independent laboratories.

## Traywash

TrayWash is the function for washing trays from oven: the pressure at the bottom of the dishwasher is tripled to guarantee excellent washing results.

## Fast+

Fast+ sometimes you don't have the time to wait for a full wash cycle to finish. The Fast+ function speeds up the washing cycle for up to 3 times\* with optimum performance, meaning you can wash and serve in no time at all.

\*Tested by Internal laboratories.



## Flexible Half Load

If the dishes are not enough to fill the tub of the appliance, it is advisable to choose the half load option which allows you to load even just one of the two main baskets supplied.

## InnerClean

Tank sanitation program through a cycle of 75 minutes, operating at the temperature of 73 °C to ensure the maximum level of hygiene of your appliance.

## Mini 30

Perfect for lightly soiled dishes and glasses, the mini program 30 washes full load in 30 minutes at 35°C, help you saving time and energy.

## Eco 50

At a temperature of 50 °C, give you an excellent results of washing and to save both energy and water consumption. It is the program that has the lowest impact to environment.

## Intensive 70

Suitable for dishes, pots and pans with a lot of dirty and grease. With this program, virus and bacteria have no chance of survival as well as dirtiness cannot be remained.





## GlassCare 40

Washing program at 40 °C that uses a particularly gentle pressure at the end to gently preserve even the most delicate and fragile crystals.

## Auto 40-65

With the Auto 40-65 program, the soiling level of the dishes is detected by the sensors that automatically generate the washing cycle. The dishes are washed using the minimum required amount of energy and water, but still ensuring excellent results.

## AquaFlex®

The innovative program that allows you to wash simultaneously dishes of different material of dishes (crystal, porcelain, metal or even plastic). The pressure and the water temperatures are differentiated to wash the most delicate dishes in the upper basket and the pots in the lower basket.

## Clean&Shine® Quick&Shine®

Get an ideal daily cleanliness by Clean & Shine®, the program indicated for daily washing of moderately soiled dishes for duration of only 120 minutes, including drying at a temperature of 65 °C. Quick & Shine® is the exclusive Beko program that guarantees an exceptional performance of washing in class A in only 58 minutes.



# Dishwasher

## FREE STANDING

## DISH WASHER FREE STANDING



# DEN48520X

MARKETING CODE 7679163977

FREE STANDING DISHWASHER  
15 SETS (165 DISHES)

### SPECIFICATION & CHARACTERISTICS

- H85 x W59.8 x D60 (cm)
- Net Weight 50.7 Kg
- 15 Sets / 165 Dishes
- ProSmart™ Inverter Motor

### PROGRAMS

- 8 Programs

### FUNCTION

- CornerIntense®
- Fast+ Function
- GlassShield®
- Sliding Cutlery Basket
- SteamGloss®
- 3 Position Acrobat System
- TrayWash™
- WaterSafe®
- Active Fan Drying Technology

### TECHINAL INFORMATION

- Noise 43 dBA
- Power Consumption 270 kWh/year
- Power Saving A++
- Water Consumption 9.5 L / Cycle



## DISH WASHER FREE STANDING



# DFN28424X

MARKETING CODE 7674153677

FREE STANDING DISHWASHER  
14 SETS (154 DISHES)

### SPECIFICATION & CHARACTERISTICS

- H85 x W59.8 x D60 (cm)
- Net Weight 48.9 Kg
- 14 Sets / 154 Dishes
- ProSmart™ Inverter Motor

### PROGRAMS

- 8 Programs

### FUNCTION

- AqualIntense®
- Fast+ Function
- GlassShield®
- Sliding Cutlery Basket
- SteamGloss®
- 3 Position Acrobat System
- AquaFlex®
- WaterSafe®
- Active Fan Drying Technology

### TECHINAL INFORMATION

- Noise 43 dBA
- Power Consumption 266 kWh/year
- Power Saving A++
- Water Consumption 9.5 L / Cycle



## DISH WASHER FREE STANDING



# DVN05321S

MARKETING CODE 7673652877

FREE STANDING DISHWASHER  
13 SETS ( 143 DISHES)

### SPECIFICATION & CHARACTERISTICS

- H85 x W60 x D60 cm
- Net Weight 42 Kg
- 13 Sets / 143 Dishes
- Universal

### PROGRAMS

- 5 Programs

### FUNCTION

- Quick&Shine®
- WaterSafe®
- Quick&Shine®
- WaterSafe®
- Half Load
- Child Lock

### TECHNICAL INFORMATION

- Noise 49 dBA
- Power Consumption 262 kWh/year
- Power Saving A++
- Water Consumption 12.9 L / Cycle



Quick&Shine®



WaterSafe®

## DISH WASHER FREE STANDING



# DVN05321W

MARKETING CODE 7673752877

FREE STANDING DISHWASHER  
13 SETS ( 143 DISHES)

### SPECIFICATION & CHARACTERISTICS

- H85 x W60 x D60 cm
- Net Weight 42 Kg
- 13 Sets / 143 Dishes
- Universal

### PROGRAMS

- 5 Programs

### FUNCTION

- Quick&Shine®
- WaterSafe®
- Half Load
- Child Lock

### TECHNICAL INFORMATION

- Noise 49 dBA
- Power Consumption 262 kWh/year
- Power Saving A++
- Water Consumption 12.9 L / Cycle



Quick&Shine®



WaterSafe®



## DTC36610S

MARKETING CODE 8880603200

### TABLE TOP DISHWASHER

#### SPECIFICATION & CHARACTERISTICS

- H43.8 x W55 x D50 cm
- Net Weight 21.5 Kg
- 6 Sets / 66 Dishes
- Universal Motor

#### PROGRAMS

- 6 Programs

#### FUNCTION

- Touch control panel
- Intensive program

#### TECHNICAL INFORMATION

- Noise 49 dBA
- Power Consumption 174 kWh/year
- Power Saving A
- Water Consumption 6.5 L / Cycle



Touch control panel



Intensive Program



Everyone would like to feel like a true champion in everyday activities. When we experiment new recipes in the kitchen for the whole family, Trying to keep fit by exercising, or cultivating good habits that help us experience the positive spirits.

Thanks to the technologies and functionalities of our appliances, This milestone has never got difficulties to achieve.

Because with Beko everyone can live a healthier and livelier life.

Everyone can live like a Pro.

A healthy and active lifestyle is the best way to feel like a champion.

**Live like a Pro**

**beko**

A healthier and more active life that  
everyone can live with **Beko**

Everyone can

**Live like a Pro**



**beko**



**beko**