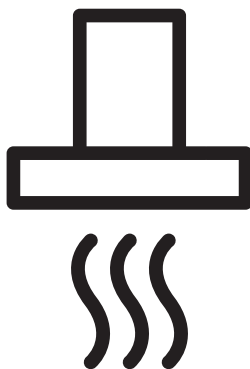




Cooker Hood

User Manual



CWB 6441 AN - CWB 9441 XN

EN



01M-8892133200-4722-03
01M-8809843200-4722-03

CONTENTS

1 Important safety and environmental instructions	4
1.1 General Safety	4
1.2 Compliance with the WEEE Directive and Disposing of the Waste Product: ...	7
1.3 Compliance with RoHS Directive ...	8
1.4 Package Information.....	8
2 General appearance	9
2.1 Overview	9
2.2 Technical Data.....	9
3 Using the appliance	10
3.1 Controlling the Appliance	10
3.2 Efficient use in terms of energy saving.....	10
3.3 Operating the Hood	10
3.4 Lamp Replacement	10
3.5 Operation with flue connection ...	11
3.6 Operation without flue connection	11
4 Cleaning and maintenance	12
4.1 Cleaning of the grease filter.....	12
4.2 Replacement of carbon filters	12
5 Installation of appliance	13
5.1 Position of the appliance.....	13
5.2 Wall mounting	13
5.3 Storage.....	21
5.4 Handling and transportation.....	22
6 Troubleshooting	22

Please read this user manual first!

Dear Valued Customer,

Thank you for preferring this Beko appliance. We hope that you get the best results from your appliance which has been manufactured with high quality and state-of-the-art technology. For this reason, please read this entire user manual and all other accompanying documents carefully before using the appliance and keep it as a reference for future use. If you handover the appliance to someone else, give the user manual as well. Follow the instructions by paying attention to all the information and warnings in the user manual.

Remember that this user manual may also apply to other models. Differences between models are explicitly described in the manual.

Meanings of the Symbols

Following symbols are used in various sections of this user manual:



Important information and useful hints about usage.



WARNING: Warnings against dangerous situations concerning the security of life and property.



WARNING: Warning for danger of fire.



WARNING: Warning for electric shock.



1 Important safety and environmental instructions

1.1 General Safety

Important Safety Instructions Read Carefully And Keep For Future Reference This section contains safety instructions that will help protect from risk of fire, electric shock, exposure to leak microwave energy, personal injury or property damage. Failure to follow these instructions shall void any warranty.

- Beko products comply with the applicable safety standards; therefore, in case of any damage on the appliance or power cable, it should be repaired or replaced by the dealer, service center or a specialist and authorized service alike to avoid any danger. Faulty or unqualified repair work may be dangerous and cause risk to the user.
- This appliance is intended to be used in household

and similar applications such as:

- Staff kitchen areas in shops, offices and other working environments;
- Farm houses
- By clients in hotels, and other residential type environments;
- Bed and Breakfast type environments.
- Operate the appliance for its intended purpose only as described in this manual.
- The manufacturer cannot be held liable for damages resulting from improper installation or misuse of the product.
- This appliance can be used by children aged from 8 years and above and persons with reduced physical, sensory or mental capabilities or lack of experience and knowledge if they have been

1 Important safety and environmental instructions

given supervision or instruction concerning use of the appliance in a safe way and understand the hazards involved.

- Children shall not be allowed play with the appliance. Cleaning and user maintenance shall not be made by children without supervision.
- The minimum distance between the supporting surface for the cooking vessels on the hob and the lowest part of your product must be at least 65 cm.
- If the instructions for installation for the gas hob specify a greater distance, this has to be taken into account.
- Make sure that your mains power supply complies with the information supplied on the rating plate of the appliance.
- Never use the appliance if the power cable or the

appliance itself is damaged.

- Prevent damage to the power cable by not squeezing, bending, or rubbing it on sharp edges. Keep the power cable away from hot surfaces and naked flame.
- Use the appliance with a grounded outlet only.

WARNING: Do not connect the appliance to the mains until the installation is fully complete.

- Place the appliance in a way so that the plug is always accessible.
- Do not touch the lamps if they have operated for a long time. They can burn your hands since they will be hot.
- Follow the regulations set out by competent authorities on discharge of the exhaust air (this warning is not applicable for use without flue).

1 Important safety and environmental instructions

- Operate your appliance after putting a pot, pan etc. on the hob. Otherwise, high heat may cause deformation in some parts of your product.
- Turn off the hob before taking the pot, pan etc. from it.
- Do not leave hot oil on the hob. Pans with hot oil may cause self combustion.
- Pay attention to your curtains and covers since oil may catch fire while cooking food such as fries.
- Grease filter must be cleaned at least monthly. Carbon filter must be replaced at least every 3 months.
- Product shall be cleaned accordance with user manual. If cleaning was not carried out in accordance with user manual, there may be fire risk.
- Do not use non-fire-resistant filtering materials instead of the current filter.
- Only use the original parts or parts recommended by the manufacturer.
- Do not operate the product without the filter and do not remove the filters while the product is running.
- In the event of be started any flame, de-energize your product and cooking appliances.
- In the event of be started any flame, cover the flame and never use water to extinguish.
- Unplug the appliance before each cleaning and when the appliance is not in use.
- The negative pressure in the environment should not exceed 4 Pa (4x10 bar) while the hood for electric hob and appliances running on another type of energy but electricity operate simultaneously.
- In the environment where

1 Important safety and environmental instructions

the appliance is being used, the exhaust of devices running on fuel oil or gas, such as room heater must be absolutely isolated or device must be hermetical type.

- When connecting the flue, use pipes with a diameter of 120 or 150 mm. Pipe connection must be as short as possible and have as few elbows as possible.
- Danger of choking! Keep all the packaging materials away from children.

CAUTION: Accessible parts may become hot when used with cooking appliances.

- The product outlet must not be connected to air channels that include other smoke.
- The ventilation in the room may be insufficient when the hood for electric hob is used simultaneously with the devices operating on gas or other fuels (this

may not apply to appliances that only discharge the air back into the room).

- Objects placed on the product may fall. Do not place any objects on the product.
- Do not flambe under the your product.

WARNING: Before installing the Hood, remove the protective films.

- Never leave high naked flames under the hood when it is in operation
- Deep fat fryers must be continuously monitored during use: overheated oil can burst into flames.

1.2 Compliance with the WEEE Directive and Disposing of the Waste Product:

This product complies with EU WEEE Directive (2012/19/EU). This product bears a classification symbol for waste electrical and electronic equipment (WEEE).



This symbol indicates that this product shall not be disposed with other household wastes at the end of its service life. Used device must be returned to offi-

1 Important safety and environmental instructions

cal collection point for recycling of electrical and electronic devices. To find these collection systems please contact to your local authorities or retailer where the product was purchased. Each household performs important role in recovering and recycling of old appliance. Appropriate disposal of used appliance helps prevent potential negative consequences for the environment and human health.

1.3 Compliance with RoHS Directive

The product you have purchased complies with EU RoHS Directive (2011/65/EU). It does not contain harmful and prohibited materials specified in the Directive.

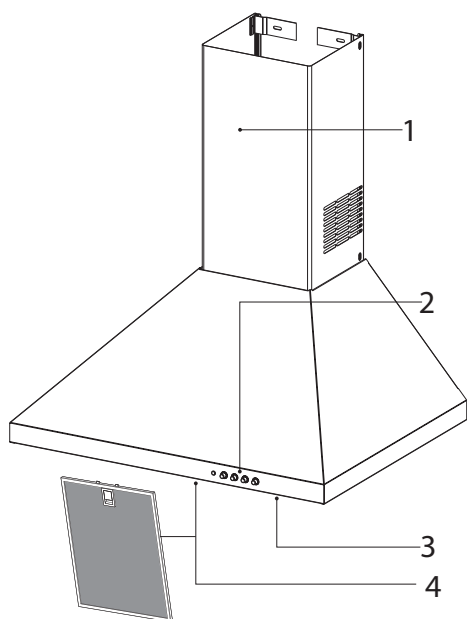
1.4 Package Information



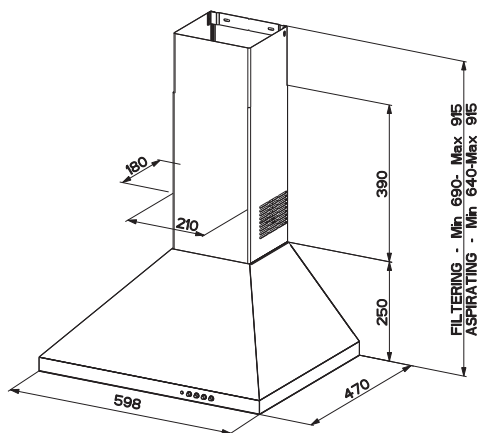
Packaging materials of the product are manufactured from recyclable materials in accordance with our National Environment Regulations. Do not dispose of the packaging materials together with the domestic or other wastes. Take them to the packaging material collection points designated by the local authorities.

2 General appearance

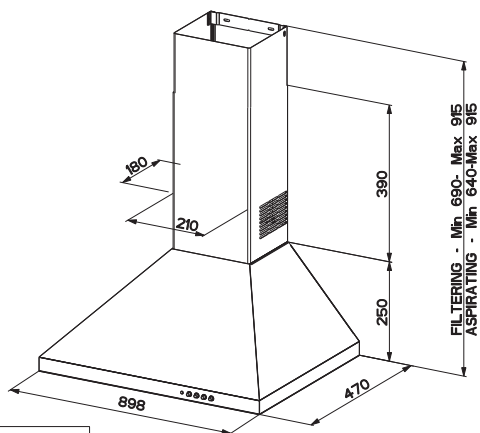
2.1 Overview



1. Chimney
2. Control panel
3. Lighting
4. Grease filters



CWB 6441 AN



CWB 9441 XN

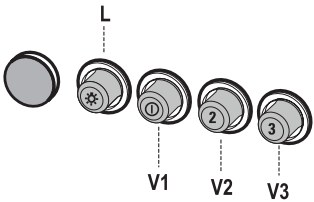

2.2 Technical Data

Model	CWB 6441 AN	CWB 9441 XN
Supply voltage and frequency	220-240V ~ 50 Hz	
Lamp power	2x4 W	
Motor power	125 W	
Air flow – 3. Level	400 m ³ /h	
Motor insulation class	Class I	
Insulation class	Class I	

3 Using the appliance

3.1 Controlling the Appliance

The hood is equipped with a mechanical control.


	
L	Press the "L"  to turn on the lights. Repeat pressing the button to turn off the lighting.
V1	Pressing the "V1" - to turn the hood with a minimum speed.
V2	Pressing the "V2" - turns the hood with an average speed.
V3	Pressing the "V3" - turns the hood at maximum speed. Higher speed means more air flow.

3.2 Efficient use in terms of energy saving

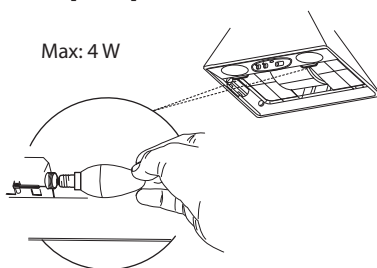
- When using your appliance, adjust the speed settings according to vapour and odour intensity, in order to save energy.
- Use low speeds (1-2) under normal conditions, and high speed (3) and boost mode for intense odour and vapour.
- The hood is equipped with lamps in order to illuminate the cooking area.
- Using them for environmental lighting shall cause unnecessary energy expenditure and insufficient lighting.
- For your device to consume less energy, run it at a low speed level.
- Your device will reduce energy consumption as it will run more efficiently when you provide sufficient air intake to it.


- Set your device to the intense suction power level before the formation of steam, in cases where you know that the dense steam will occur. So, you reduce energy consumption by using your device for a shorter time as it will have a sufficient air intake.
- Keep the lids of the cookware closed to reduce the steam evolving.

3.3 Operating the Hood

- Hood is equipped with a motor having various speed settings.
- For a better performance, we advise you to use low speeds in normal conditions, and high speeds when smell and vapors are intensified.
- You can start the hood by pressing the desired speed level key. (V1,V2,V3)
- You can illuminate the cooking area by pressing the light key L ()

3.4 Lamp Replacement



Lamp	
Bulb power	4 W
Holder/Socket	E14
Bulb voltage	220 - 240 V
ILCOS Code	DRBB/F-4-220-240-E14-35/100
Size	35x100 mm

3 Using the appliance

Luminous flux	400 lm
Correlated colour temperature	3000 K

This product contains a light source of energy efficiency class "F".

Disconnect the hood from the mains supply. This appliance is equipped with 4 W spot LED lamps.



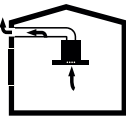
- Before replacing the light bulbs, disconnect the power supply of the hood.
- Do not touch the light bulbs when they are hot.
- Be careful not to touch the replaced light bulb directly with hands.



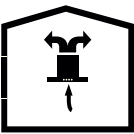
You may procure lamps from Authorised Service Agents.

- In flueless use, remove the flaps inside the flue adapter.
- Remove the oil filter. To install the carbon filter, fit the filter to the tabs by centring it on the plastic piece on both sides of the fan body. Tighten it by turning right or left.
- Replace aluminium oil filter.

3.5 Operation with flue connection

-  Vapour is extracted through the flue duct, which is fastened to the connection head on the hood.
- The diameter of the flue duct must be the same as the connection ring. In horizontal settings, the pipe has to have a slight upward slope (around 10°) so that the air can exit the room easily.

3.6 Operation without flue connection

-  Air is filtered through the carbon filter and recirculated in the room. Carbon filter is used when it is impossible to use a flue in the house.

4 Cleaning and maintenance

The device should be cleaned and maintained regularly. Failure to keep the device clean will adversely affect the service life of the device. For cleaning and maintenance, follow the instructions stated in the manual.



Before cleaning and maintenance, unplug the product or turn off the switch.

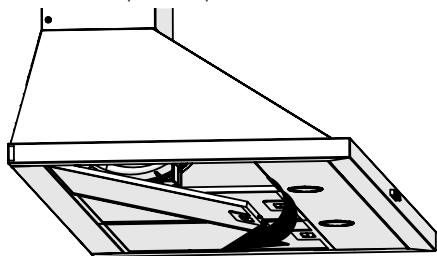


Non-compliance with the provisions associated with the cleaning of the device and replacement of the filters may result in a risk of fire. Therefore, it is recommended to follow the guidelines stated here. The manufacturer is not responsible for the engine damages or fires originating from the improper use.

Clean the hood using a damp cloth and a neutral liquid detergent.

4.1 Cleaning of the grease filter

Grease filter retains the oil particles in the air. Grease filters may change colour after repeated cleaning. This is normal and does not require replacement of filters.



- Push the grease filter lock forward.
- Then pull it slightly down and pull it out. Otherwise, you can bend the filter. Wash

and rinse grease filters with liquid detergent and replace grease filters to their sockets by carrying out the steps specified above in reverse order. This filter retains the oil particles in the air.



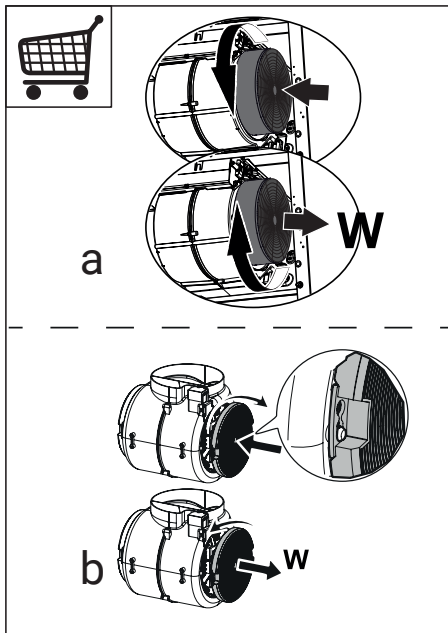
You may wash your grease filters in the dishwasher.



CAUTION: In case of normal use, clean your filter once in a month.

4.2 Replacement of carbon filters

Odour removing filters contain charcoal (Active carbon). Grease filters must be installed in the product, regardless of whether or not carbon filters are used.



- Remove the grease filter.
- To remove the carbon filter, remove the carbon filter from its housing by rota-

4 Cleaning and maintenance

ting it counter-clockwise from the tab.

- Install the new carbon filter.
- Install the grease filter.



CAUTION

- Carbon filter shall never be washed.
- Replace carbon filters once every 3 months.
- You can obtain the carbon filter from the authorized services.

5 Installation of appliance



WARNING: Before starting the installation, read the safety information on user manual.

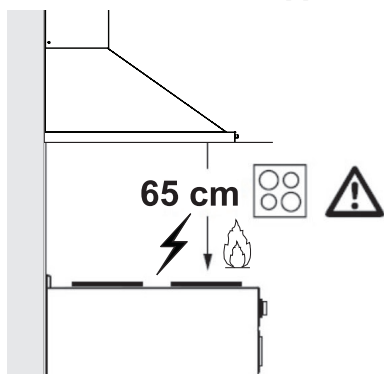


WARNING: Failure to install with screws and stabilizers in accordance with these instructions may result in electric shock.

For the installation of the hood, please contact the nearest Authorized Service.

It is the customer's responsibility to prepare the location and electrical installation of the hood.

5.1 Position of the appliance

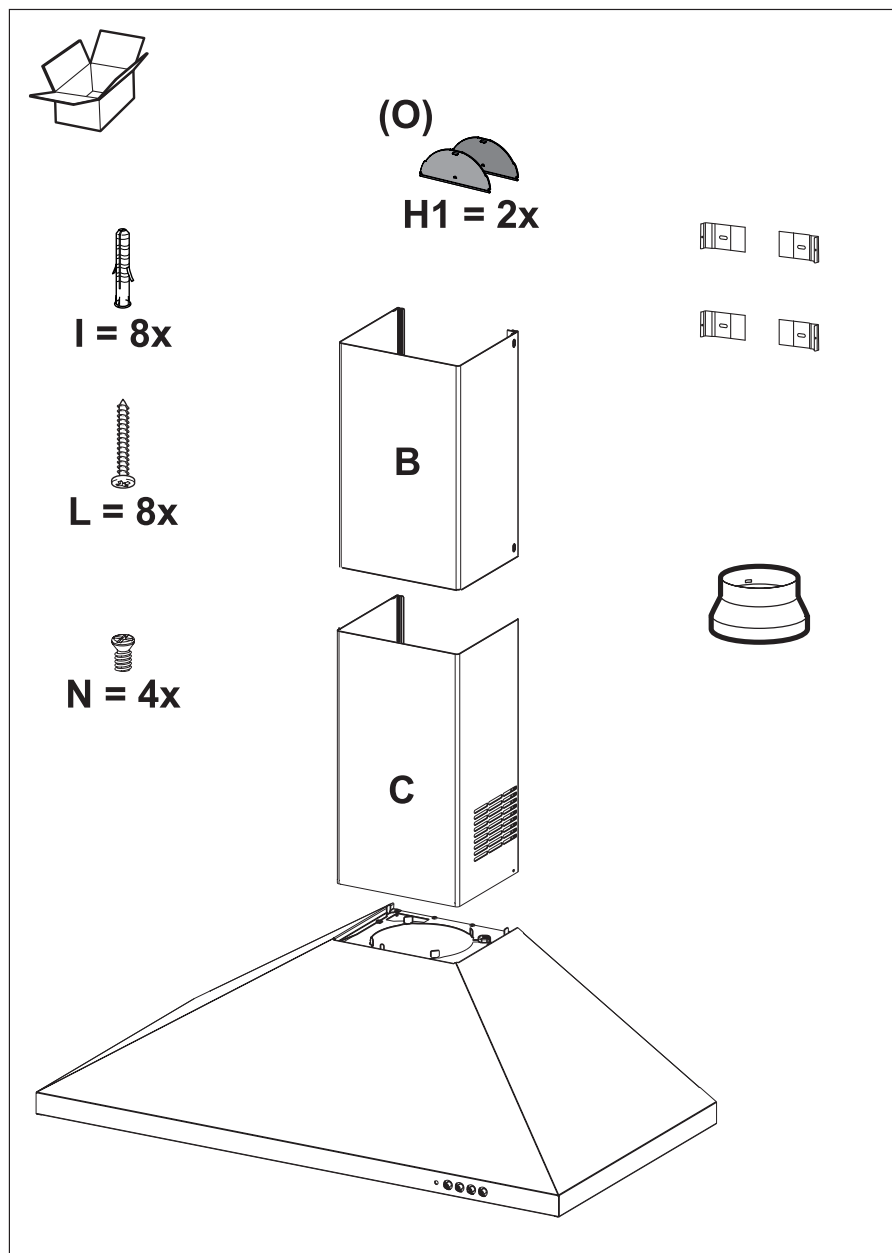


- Distance between the cooker and the cooker hood must be considered prior to assembly. This distance should be 65 cm.
- Distance must be measured from the surface of grate for gas cookers,
- from surface of glass for electric cookers.

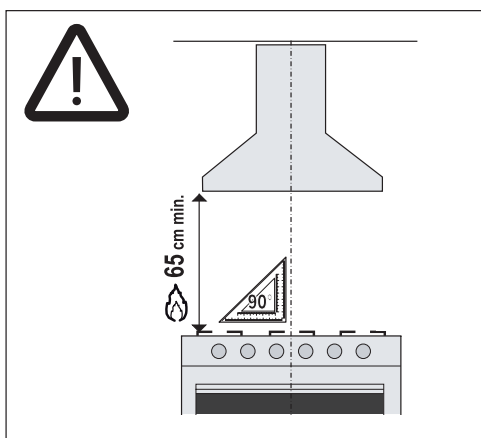
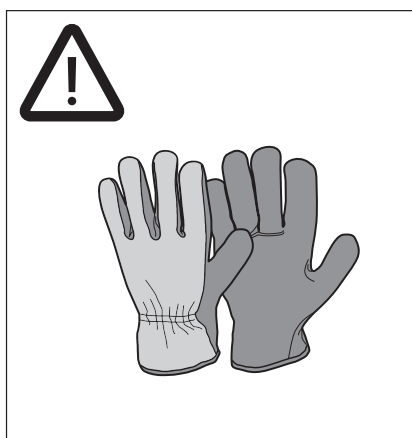
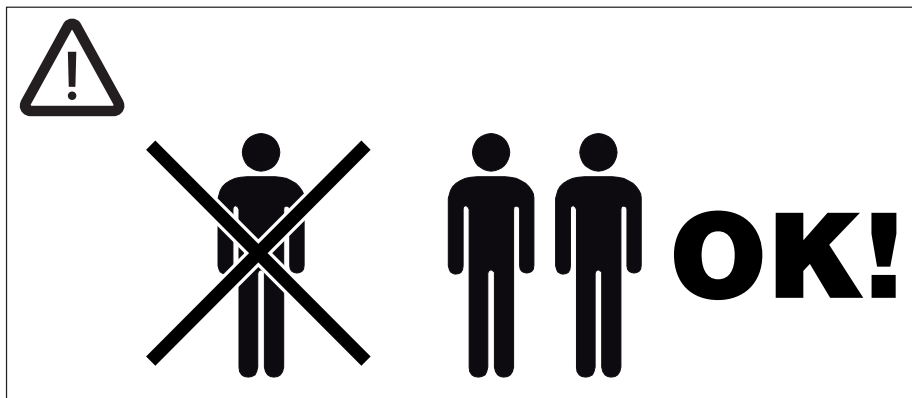
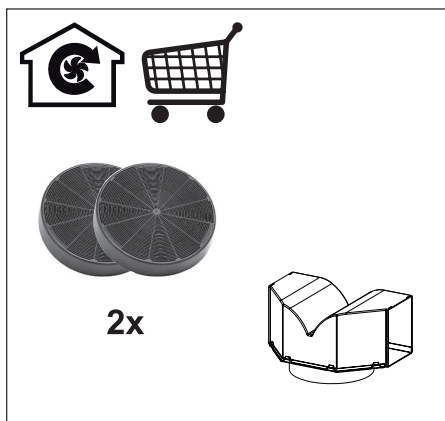
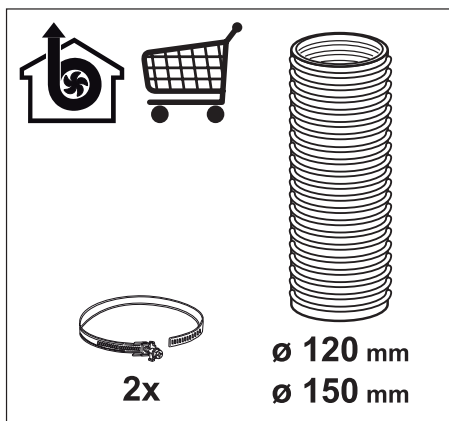
5.2 Wall mounting

- Wall must be flat, straight and have the sufficient bearing capacity.
- Depth of drilling holes must comply with the length of bolts.
- The bolts and dowels provided are suitable for brick walls. For other construction material (e.g. drywall, plate, porous concrete), suitable fixing dowels and nuts shall be used.

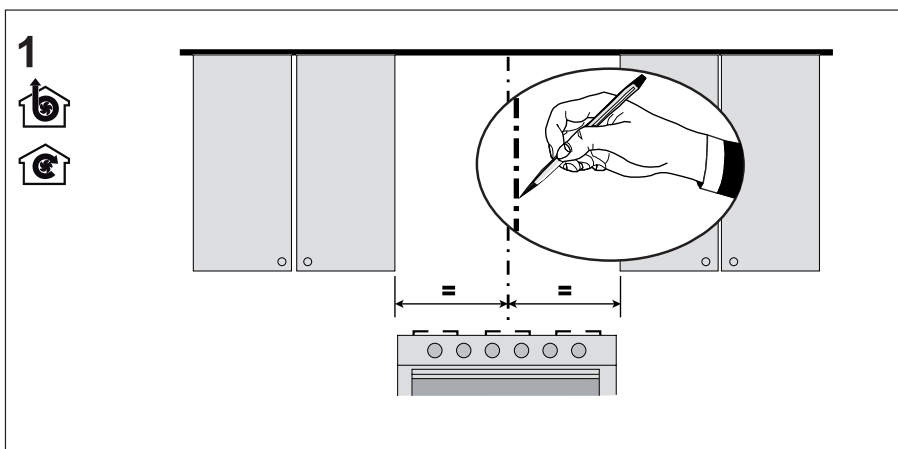
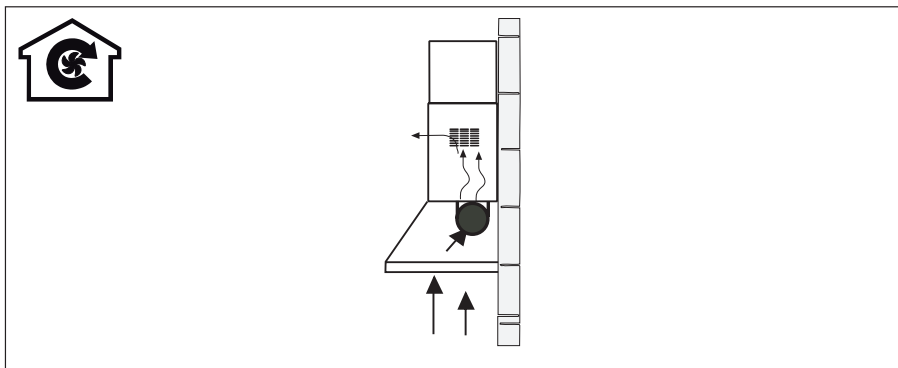
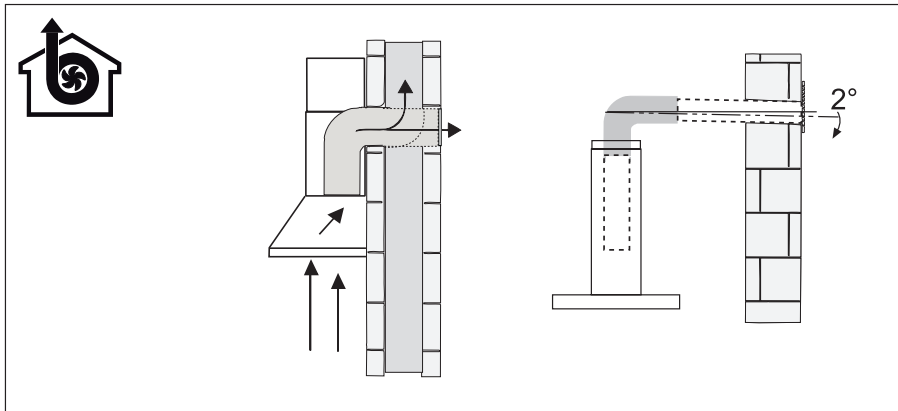
5 Installation of appliance



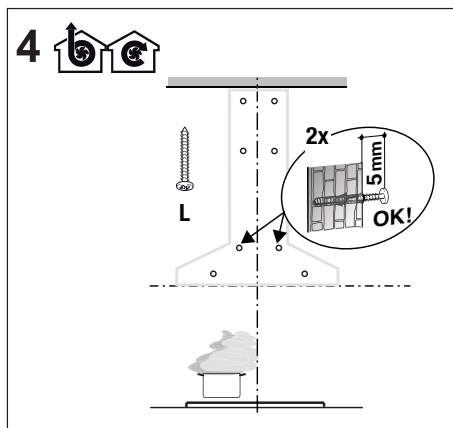
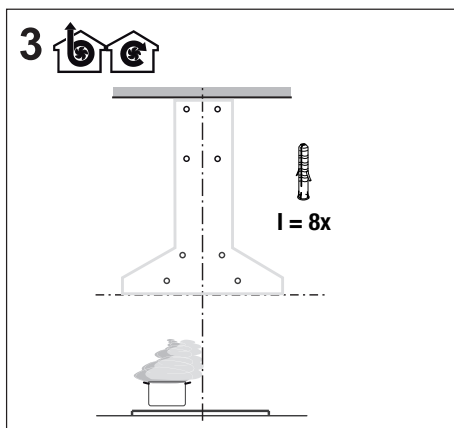
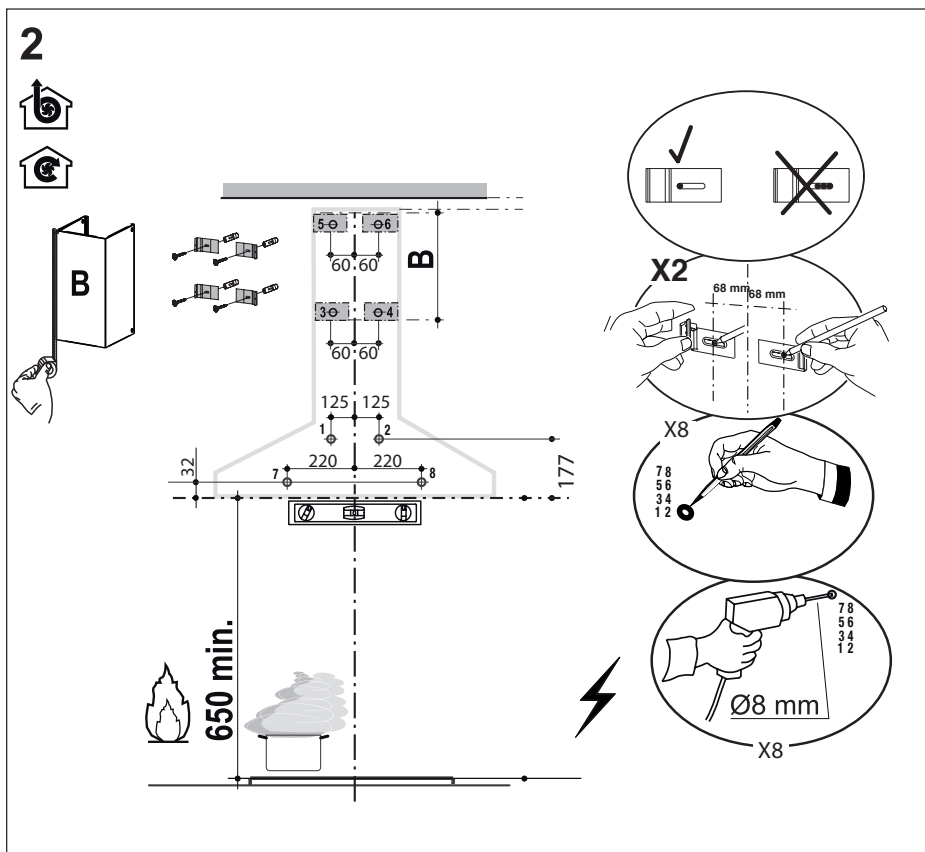
5 Installation of appliance



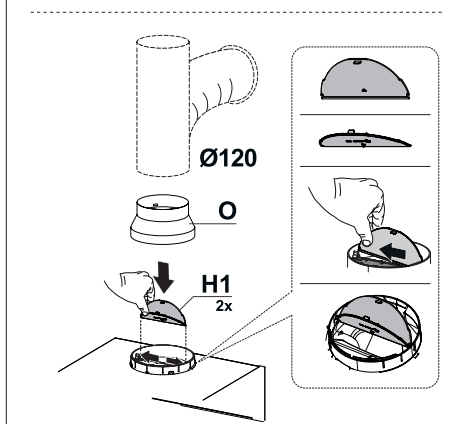
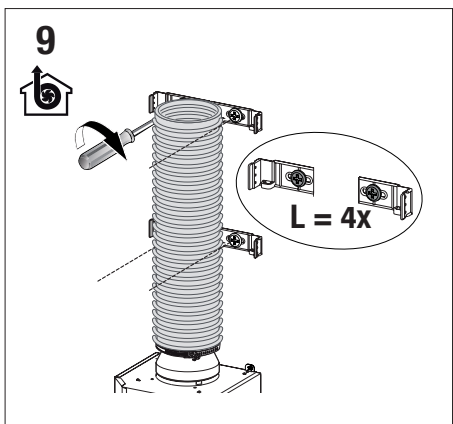
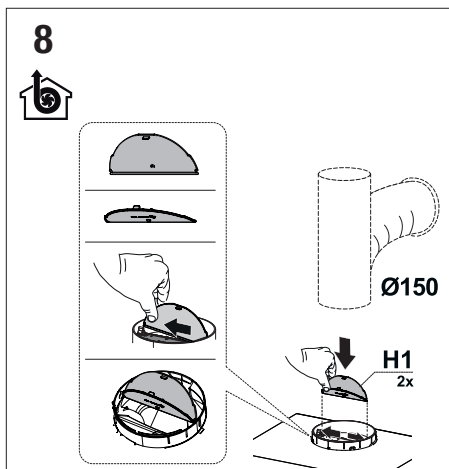
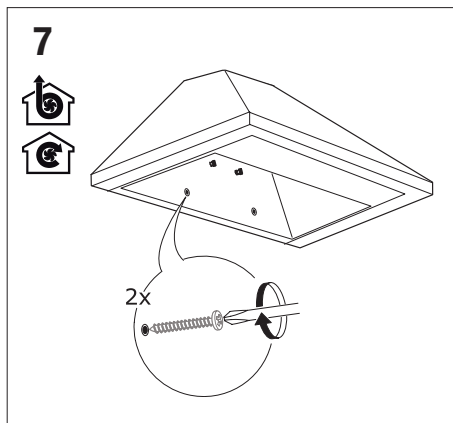
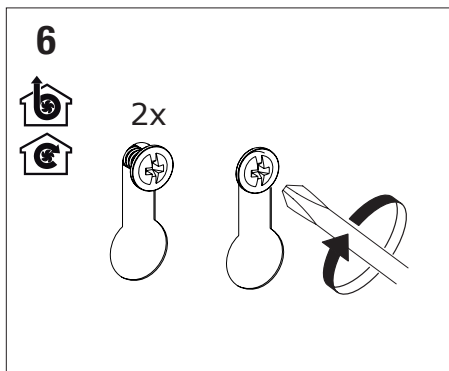
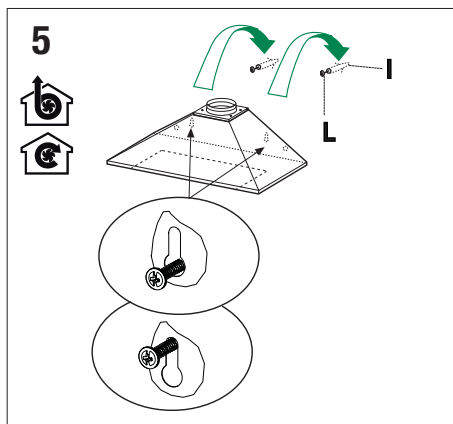
5 Installation of appliance



5 Installation of appliance

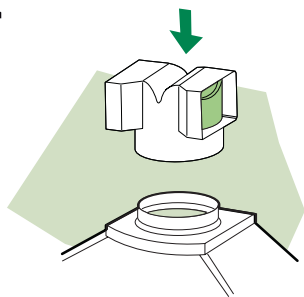


5 Installation of appliance

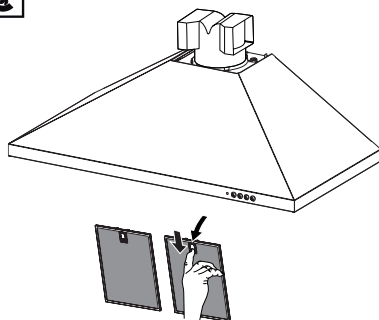


5 Installation of appliance

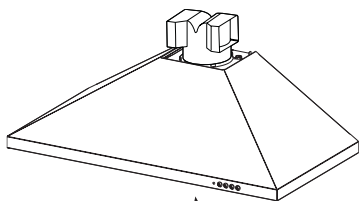
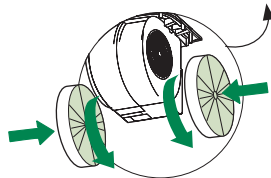
10



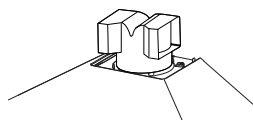
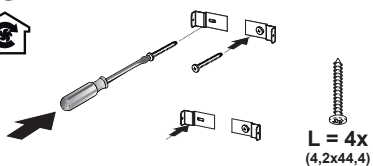
11



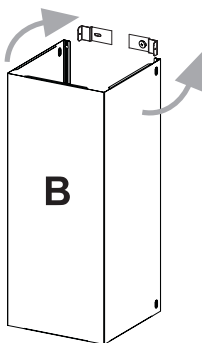
12



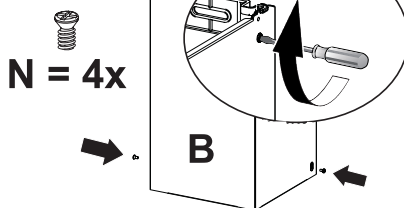
13



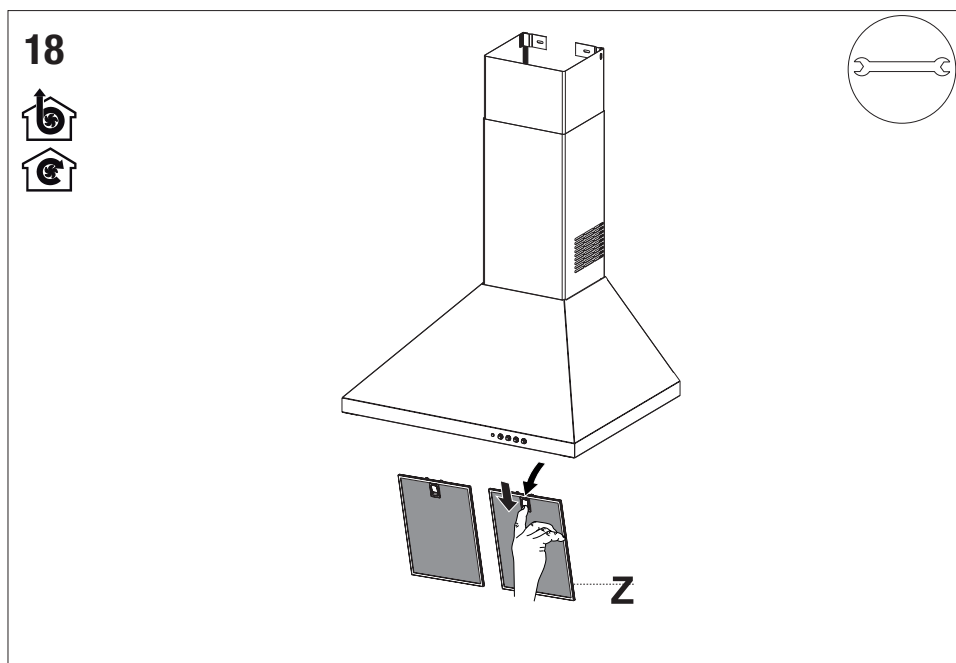
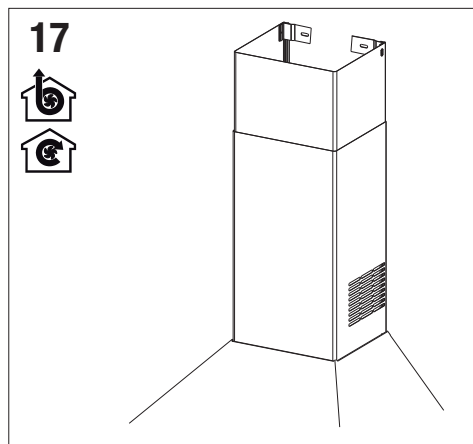
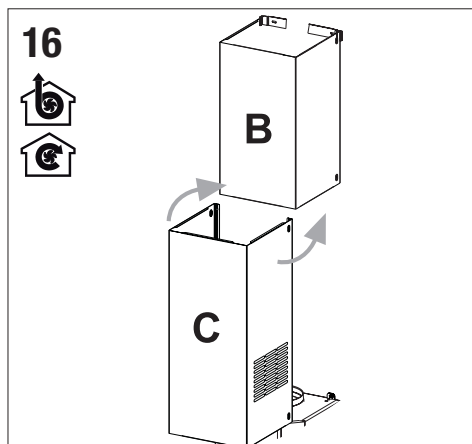
14



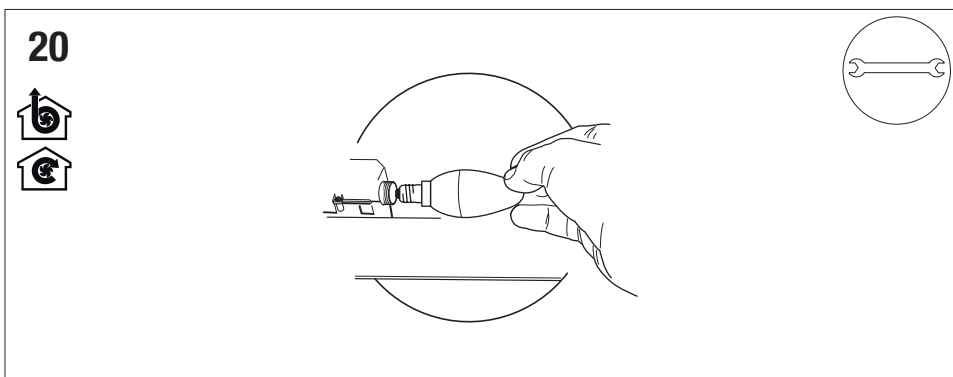
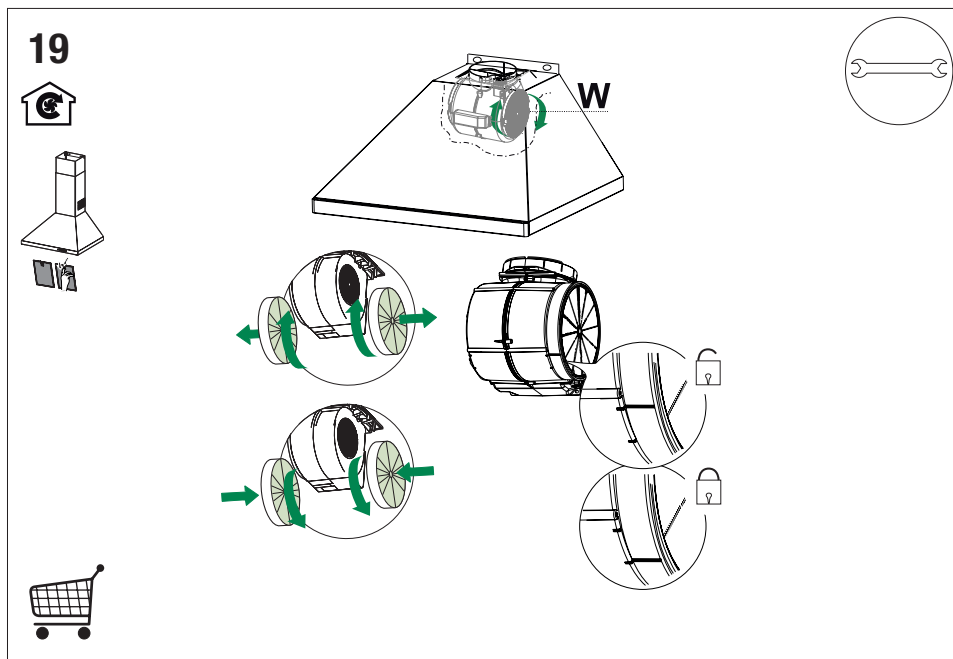
15



5 Installation of appliance



5 Installation of appliance



5.3 Storage

- If you do not intend to use the appliance for a long time, store it carefully.
- Before lifting the appliance unplug it and then let it cool completely.
- Keep the appliance and its accessories in their original packages.
- Store it in a cool, dry place.

5 Installation of appliance

- Always keep the appliance out of the reach of children.

5.4 Handling and transportation

- During handling and transportation, carry the appliance in its original packaging. The packaging of the appliance protects it against physical damages.
- Do not place heavy loads on the appliance or the packaging. The appliance may be damaged.
- Dropping the appliance will render it non-operational or cause permanent damage.

6 Troubleshooting

Troubleshooting	Root Cause	Help
Appliance is not working.	Check your fuses.	Fuse may be blown, inspect and restore it.
Appliance is not working.	Check the electrical connection.	Mains voltage shall be between 220 and 240 V.
Appliance is not working.	Check the electrical connection.	Check if other appliance in your kitchen operate.
Illumination light does not operate.	Check the electrical connection.	Mains voltage shall be between 220 and 240 V.
Illumination light does not operate.	Inspect the lamp switch.	Lamp switch shall be at "on" position.
Illumination light does not operate.	Inspect the lamps.	The lamps of the appliance shall illuminate.
Air inlet of the appliance is inadequate.	Inspect the grease filter.	Under normal operating conditions, grease filter shall be cleaned at least once in a month.
Air inlet of the appliance is inadequate.	Check the air discharge flue.	The air discharge flue shall be at "on" position.
Air inlet of the appliance is inadequate.	Inspect the carbon filter.	The filters of the appliances with carbon filters shall be replaced once in every 3 months under normal conditions.

Warranty

The warranties provided by Beko in these statements only apply to Beko appliances sold to the original purchaser or homeowner in South Africa. Respective warranty is as follows:

2 Years – Small Domestic Appliances

3 Years – Major Appliances

The factory warranty applies only to products purchased through an authorized dealer or authorized reseller. View <https://www.beko.com/> for a list of authorized dealers.

Products purchased through non-authorized dealers and wholesalers will not be covered under the manufacturer's warranty.

The warranty is not transferable. To obtain warranty service, please contact your dealer or contact us.

You will need your product model number, serial number, retailer name and address, where purchased and purchase date.

2 / 3 year (*) full warranty from date of purchase.

Beko will repair or replace at no cost to the consumer any defective parts if used under normal household conditions (Warranty is void if the product is used commercially e.g., bed + breakfast, nursing home etc.). Service must also be performed by an authorized Beko service agency. (Cosmetic defects must be reported within 7 days from purchase).

Disclaimers of warranties and exclusions: Warranty does not cover service costs by an authorized service agent to correct installation, electrical problems or educational instruction on the use of the electric and gas ranges.

The warranty also does not cover defects or damages caused by an act of God (such as storms, floods, fires, mudslides, etc.), damage cause by use of the electric and gas ranges for purposes other than those for which it was designed, misuse, abuse, accident, alteration, improper installation, maintenance, travel fees, service calls outside normal service hours, pickup and delivery, any food loss due to product failure, unauthorized service or work.

This product is fully tested and went through official quality assurance inspections before leaving the factory. Beko does not assume any responsibility for incidental or consequential damages. Such damages include, but are not limited to, loss of profits, loss of savings or revenue, loss of use of the electric and gas ranges or any associated equipment, cost of capital, cost of any substitute equipment, facilities or services, downtime, the claims of third parties, and injury to property.

Please keep this warranty, user manual and your sales slip for future reference.

HOW TO CONTACT BEKO Please contact Beko regarding authorized service or queries at 086 100 2356 (BEKO) alternatively you can send an email to servicesa@beko.com

Arçelik A.Ş.
Karaağaç Caddesi No: 2-6, 34445,
Sütlüce, İstanbul, Türkiye

www.beko.com