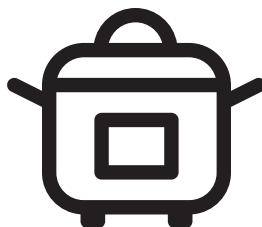




Hot Air Fryer

User Manual



FRL 3374 B

EN / DE / FR / PL / ES / RO / IT / AR



01M-8916103200-3523-04
01M-8916083200-3523-04



CONTENTS

ENGLISH 3-19

DEUTSCH 20-37

FRANÇAIS 38-53

POLISH 54-70

ESPAÑOL 71-87

ROMÂNĂ 88-106

ITALIANO 107-122

Please read this guide first!

Dear Customer,

Thank you for choosing a Grundig product. We would like you to achieve the optimal efficiency from this high quality product which has been manufactured with the state of the art technology. Please make sure you read and understand this guide and supplementary documentation fully before use and keep it as a reference. Include this guide with the unit if you hand it over to someone else. Observe all warnings and information herein and follow the instructions.

Keep in mind that this user guide may apply to several product models. The guide clearly indicates any variations of different models.

Symbols and their meanings

Following symbols have been used throughout this guide:



Important information and helpful advice on using the device.



WARNING: Warnings about dangerous situations related to life and property safety.



Suitable for contact with food.



Do not immerse the appliance, the power cord or the plug in water or in any other liquids.



Warning about hot surfaces.



RECYCLED &
RECYCLABLE
PAPER

1 Important safety and environmental instructions

This section contains safety instructions to prevent hazards that can result in injury or property damage. Failure to follow these instructions will void any warranty.

1.1 General safety

- This appliance complies with international safety standards.
- This appliance is intended for home use and food preparation only, it is not suitable for professional use.
- This appliance cannot be used by children between the ages 0-8. The appliance can only be used by children aged 8 and over, provided that they are under constant surveillance. This appliance may be used by people who have limited physical, auditory or mental skills, or lack of experience and knowledge, if they are provided with supervision or information about the safe use and hazards encountered.
- This product is not designed for commercial use, it is intended for use at home and in applications as follows:
 - In the staff kitchens of the stores, offices and other working environments,
 - In farm houses,
 - By customers in hotels, motels or other accommodation facilities;
 - In hostels, or similar environments.
 - Bedrooms and breakfast locations
 - Children being supervised not to play with the appliance.
 - Children should not do cleaning and user maintenance unless an adult supervises them.
 - Keep the product and the product cable out of the reach of children under the age of 8.
 - Position the handles of the cooking appliances (if any) so that hot liquids do not spill and place them securely.
 - Make sure that the voltage indicated on the appliance is the same as the mains voltage in your home.
 - Use the appliance in a ground-

1 Important safety and environmental instructions

ding plug.

- Do not use the appliance with an extension cord.
- Do not place your appliance on or near heat sources such as ovens and stoves.
- To prevent damage to the power cord, prevent it from being pinched, crimped or rubbed against sharp edges.
- Do not unplug the appliance by pulling on the cord.
- Do not immerse the appliance or its power cord in water.
- Do not leave the appliance unattended while it is plugged in.
- Do not disassemble the appliance.
- Use only original parts or parts recommended by the manufacturer.
- Unplug the appliance before cleaning and dry all parts completely after cleaning.
- Clean the appliance in accordance with the instructions in the Cleaning and Maintenance section.
- Do not put large pieces of food in the appliance as it may cause a fire.
- Do not touch the plug of the appliance while your hands are damp or wet.
- Do not use the appliance in humid environments.
- Do not move the appliance while it is in use and the oil inside is hot.
- Do not use the appliance in or near explosive or flammable environments and substances.
- To avoid the risk of burns, do not touch hot surfaces.
- Let the appliance cool down in a safe place out of the reach of children.
- Do not block the air inlet and air outlet openings while the appliance is operating.
- Do not lean over while the appliance is in use. Hot air rises from the appliance during use!
- The appliance becomes hot during use. To avoid the risk of burns, do not touch hot surfaces.
- Make sure that the room is ade-

1 Important safety and environmental instructions

quately ventilated during use.

- In case of fire, unplug the appliance.
- Do not pour water on the appliance, as it may cause electric shock hazard.
- Do not operate the appliance with an external timer or a separate remote control system.
- Only use metal kitchenware with insulated handles with the appliance.
- Do not put anything on the appliance while it is operating or hot.
- Turn the indicator button off to disconnect. Then unplug the appliance.
- If you keep the packaging materials, keep them out of the reach of children.
- If the power cord is damaged, it must be replaced by the manufacturer, its service agent or similarly qualified persons to avoid potential hazards.

1.1 Compliance with the WEEE Directive and Disposing of the Waste Product:

This product complies with EU WEEE Directive (2012/19/EU). This product bears a classification symbol for waste electrical and electronic equipment (WEEE).



This symbol indicates that this product shall not be disposed with other household wastes at the end of its service life. Used device must be returned to official collection point for recycling of electrical and electronic devices. To find these collection systems please contact to your local authorities or retailer where the product was purchased. Each household performs important role in recovering and recycling of old appliance. Appropriate disposal of used appliance helps prevent potential negative consequences for the environment and human health.

1.2 Compliance with RoHS Directive

The product you have purchased complies with EU RoHS Directive (2011/65/EU). It does not contain harmful and prohibited materials specified in the Directive.

1.3 Package information



Packaging materials of the product are manufactured from recyclable materials in accordance with our National Environment Regulations. Do not dispose of the packaging materials together with the domestic or other wastes. Take them to the packaging material collection points designated by the local authorities.

1.4 Important points for saving energy

Comply with the times recommended by the manual while using the appliance. Unplug the appliance after each use.

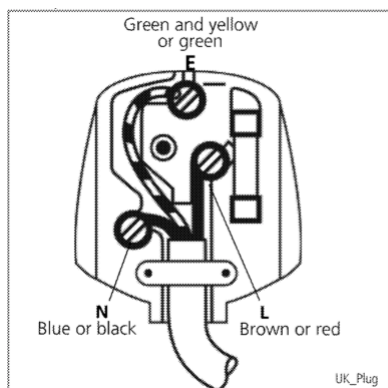
1 Important safety and environmental instructions

1.5 Plug Wiring

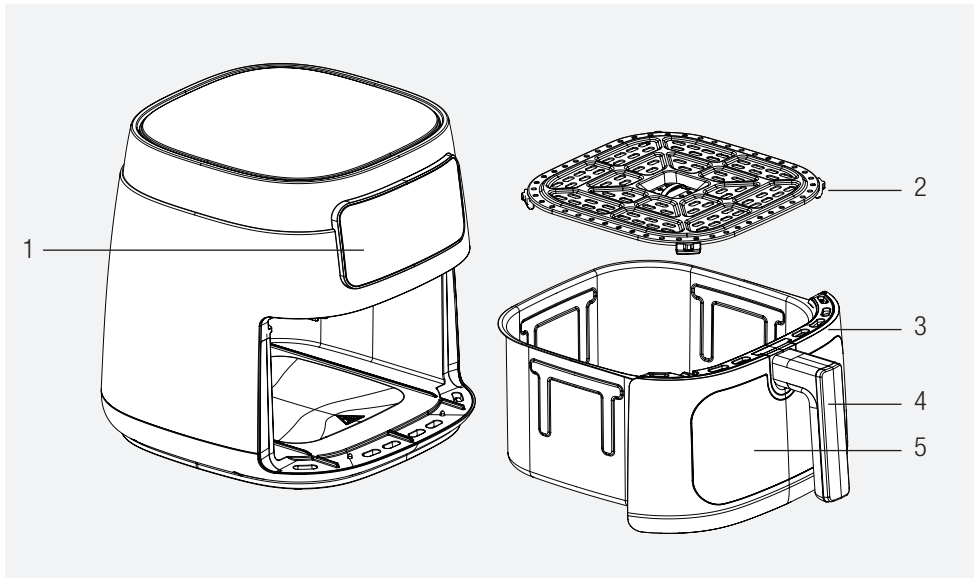
The moulded plug on this appliance incorporates a 13 A fuse. Should the fuse need to be replaced an ASTA approved BS1362 fuse of the same rating must be used. Do not forget to refit the fuse cover. In the event of losing the fuse cover, the plug must not be used until a replacement fuse cover has been fitted. Colour of the replacement fuse cover must be the same colour as that visible on the pin face of the plug. Fuse covers are available from any good electrical store.

• Fiting a different plug

- As the colours of the wires in the mains lead of this appliance may not correspond with the coloured markings identifying the terminals on your plug, proceed as follows:
- Brown cable = L (Live)
- Blue cable = N (Neutral)
- Green/yellow cable must be connected to ground (E) \perp line
- With the alternative plugs a 13 A fuse must be fitted either in the plug or adaptor or in the main fuse box. If in doubt contact a qualified electrician.



2 Less Oil Cooker



1. Digital control panel
2. Cooking grid
3. Removable cooking basket
4. Handle
5. Illuminated traceable cooking chamber

Technical data

Power Source	220-240V~, 50-60Hz
Power Consumption	1750 W

Signs on the appliance and values specified by the documents provided along with the product have been obtained under laboratory conditions in accordance with the related standards. The values may vary based on use of the appliance and ambient conditions. Power values have been tested in the voltage of 230 V.

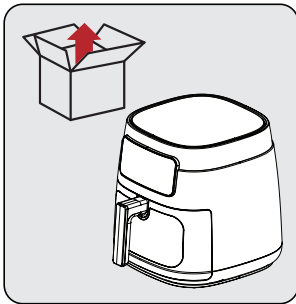
3 Usage

3 Intended use

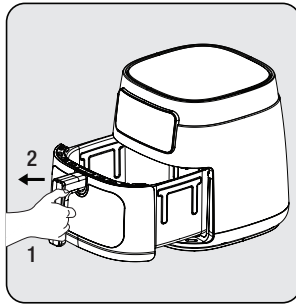
- The appliance is intended for home use only and is not suitable for professional use.
- When you use the appliance for the first time, there may be a slight emission of smoke. This is normal.

3.1 Preparing the appliance for use

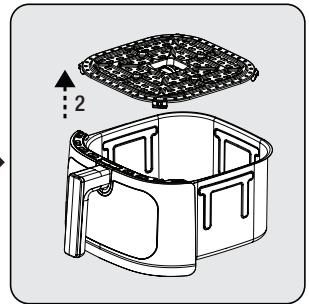
- Use the appliance in an upright position on a stable, level, clean, dry and non-slip surface.



Before using the appliance for the first time, remove the packaging materials and place the appliance in a flat and clean area.



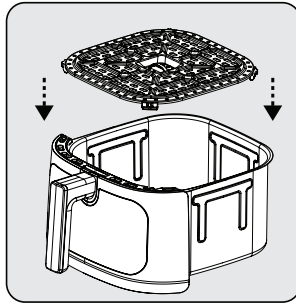
Grab the handle (4) firmly to release the removable cooking basket (3); then, take the drawer out of its housing.



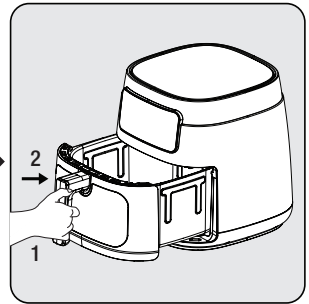
Place the drawer on a flat surface to detach the cooking grid (2) from the drawer. Remove the cooking grid (2) by lifting it from the drawer.



Clean the cooking grid (2) and the removable cooking basket (3) with warm soapy water, then dry the appliance's outer surface and the parts you have washed thoroughly.



There are 2 notches on both sides of the handle. Seat the basket in its housing by aligning the tabs into the notches on the top of the basket drawer.

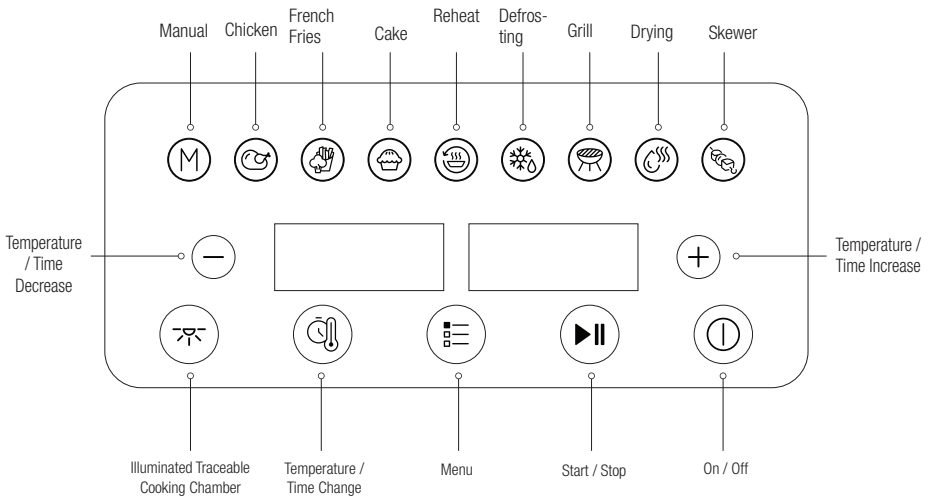



Attach the drawer to the appliance after cleaning all parts. The appliance is ready for use.



- For the first use, set the product to the highest temperature and run it for about 10 minutes without adding any food.
- Never use the basket drawer (6) without the removable cooking grid (2).

3.2 Control panel and LED display:

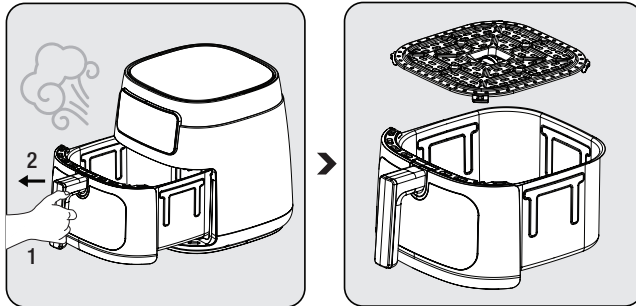


- Press “Menu 

10 / EN

3 Usage

3.3 Warnings before first use



When the removable cooking basket (3) is pulled back while the appliance is operating, hot steam will emanate from the air outlet and the top of the basket. Therefore, be careful not to get burned by the high-temperature steam.

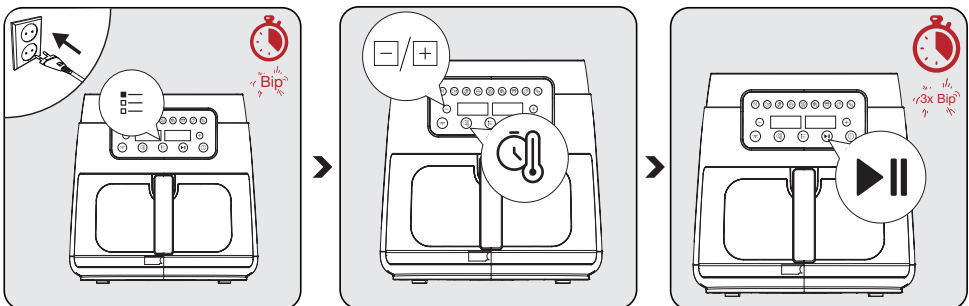
While using the cooking grid (2) and basket drawer (3) at higher temperatures, be careful not to make a direct contact with them.

3.4 Operation

3.4.1 Selecting and starting a program

i The display shows the automatically set temperatures and times according to the selected cooking functions. You can change these temperatures and times as desired.

! Press the shutdown symbol if you want to switch to a different program after the product is started. Afterwards, press "Menu" to select the desired program.

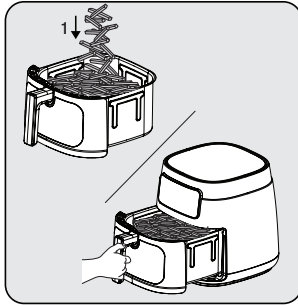



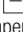

Plug the product in and press the on/off symbol once. The entire selection display will appear. Press the "Menu" symbol until you reach the function you want to select.

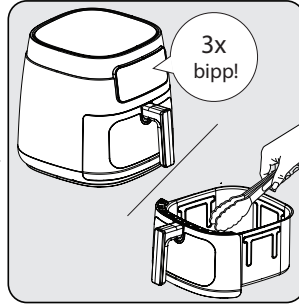
Press the "Temperature / Time" change symbol. The temperature will flash on the display. Replace with the desired temperature "+" or "-" symbols. When you press the "Temperature / Time" symbol again, the time will flash on the display. Set the cooking time with the "+" or "-" symbols".

Press the "Start/Stop" symbol and start the device. Place the food you want to cook in the cooking basket of the product. When you place the cooking basket in its place, the time you set will be seen on the display, excluding the preheating time, and the time will start to count down.

3.4.2 Temperature and time setting



Press  symbol to set the temperature and time. Afterwards, press  symbol to set the necessary temperature and time. Press  symbol to start.



When half of the set time of the program is reached, at this point, the basket drawer (3) can be removed, and you can turn the food with an auxiliary tool (tongs, etc.).



- The cooking grid is made of high-temperature resistant silicone material that can be used for cooking food. It essentially prevents the basket lining from being scratched. Therefore, make sure that it does not come off during cooking.
- Be aware of hot steam that may be outlet while pulling the basket drawer (3) out and do not touch with your bare hands, because it is highly hot.
- When removing cooked food, use a tool (tongs, etc.) that will not damage the inner surface of the appliance.

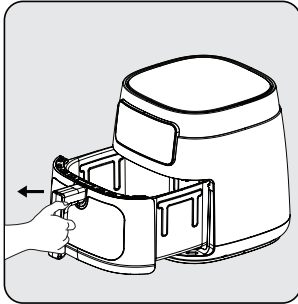
3 Usage

3.5. Cooking

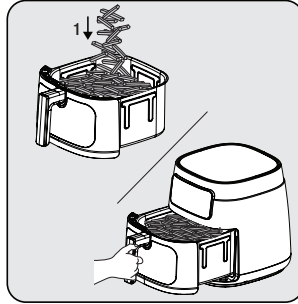
- Blend food with oil before placing it in the removable cooking basket (3).



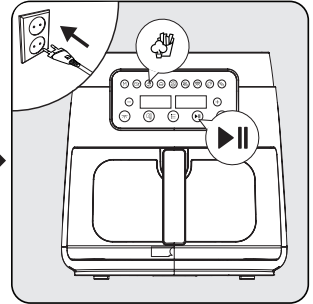
Please do not hold the basket drawer (3) and the removable cooking grid (2) with anything other than the handle while they are hot.



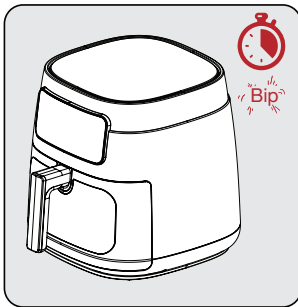
Grasp the handle firmly to open the basket drawer (3); then remove the drawer from the machine and place it on a flat, clean surface.



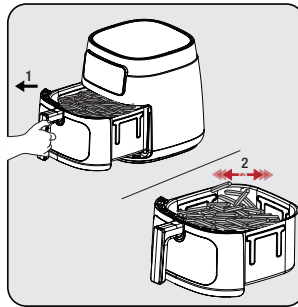
Place foods in the cooking basket (3). Then attach the basket to the appliance and make sure it fits completely.



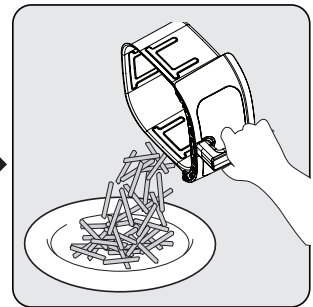
Plug your appliance in and select the desired cooking program. Then, start the cooking process.



Warning sound will be heard when the set time is up and your appliance turns off automatically. When the cooking program is completed, an "End" notification appears on the display. This expression indicates that the food program is finished.

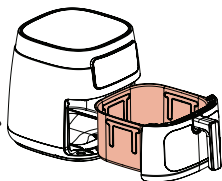


Take the removable cooking basket (3) out and check the food, whether it is fried or frozen or not. If it requires additional cooking time, you can prolong the cooking time a little bit more.



After the process is completed, pour the ingredients in the basket into a bowl or plate.

3 Usage



Avoid contact of the cooking basket with the outer surface of the appliance, since surface of the cooking basket (5) will be hot during and after cooking.



- Let the foods rest for 5-10 seconds before removing them from the removable cooking basket (5).
- Use tongs to take large or soft foods out of the basket not to cause any damage on the interior surface of the appliance.
- When one batch is ready, the appliance is immediately ready for another batch.









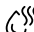
Note that the device can become very hot during the turning process.

4

Cooking time

The following table gives an overview of cooking times for different foods. Cooking time varies based on thickness and texture of foods. The recommended times and quantities should be regarded as approximate.

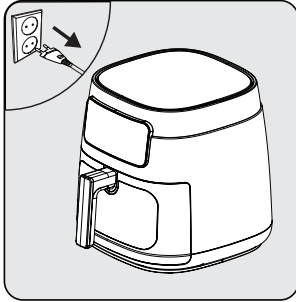
Perform a pre-heating process until the appliance reaches up to the recommended temperature specified in the table before cooking process to achieve successful results.

PROGRAM	FOOD	AMOUNT	SYMBOL	TEMPERATURE	TIME (min.) INTERVAL	BLENDING / SHAKING
DEFROSTING				80 °C	13-17 min.	2
FRENCH FRIES	Frozen Potato	500 g		200 °C	15-20 min.	4
CHICKEN	Chicken Thigh	450 g		200 °C	20 minutes	2
GRILL	Burger in Rolls	500 g		190 °C	15 min.	2
SKEWER	Chicken Skewer	500 g		180 °C	15-20 min.	4
CAKE	Muffin	6 mini muffin cups		160 °C	20 minutes	X
DRYING				70 °C	60-140 min.	X

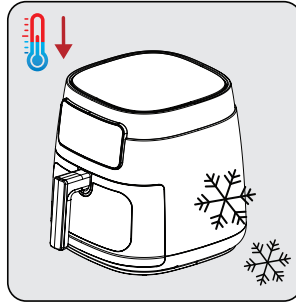
5 Cleaning and maintenance

5.1 Cleaning

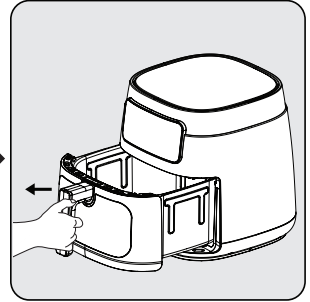
i Never use gasoline, solvents, abrasive cleaners, metal objects or hard brushes to clean the appliance.



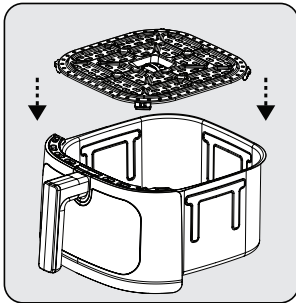
Switch off the appliance and disconnect it from the power supply.



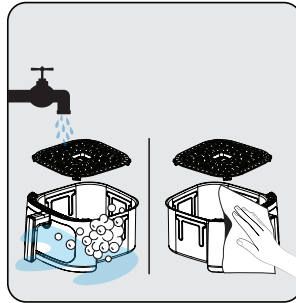
Allow the appliance to cool down completely.



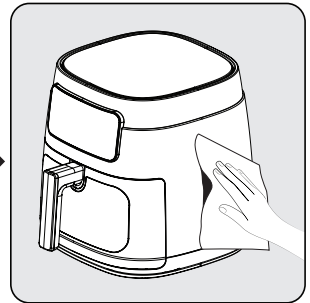
Remove the cooking basket (3) from the drawer.



Remove the cooking grid (2) from the basket by grasping its handle and pulling it upwards.



Clean the cooking basket (3) and the cooking grid (2) with warm soapy water and then dry them thoroughly.



Clean the outside of the appliance with a damp cloth. Dry the outside of the appliance completely.

i Always keep the base of the removable cooking basket (3) and the cooking grid (2) clean to prevent the accumulation of foreign substances.

5 Cleaning and maintenance

5.2 Storage

- If you do not intend to use the appliance for a longer period of time, store it carefully.
- Unplug the appliance and let it cool down before putting it away.
- Store the appliance in a cool and dry place.
- Keep the appliance and the cable out of the reach of children.

5.3 Transport and shipping

- Transport the appliance in its original packaging during handling and transport. The packaging protects the appliance from physical damage.
- Do not place heavy objects on the appliance or its packaging. The appliance may get damaged.
- If the appliance is dropped, it may stop working or permanent damage may occur.

6 Troubleshooting

	The problem	Cause	Solution
1	Appliance inoperative	Power outages	Check the power supply and make sure there is power
		No power or poor contact at the power outlet	
		Mismatch of the power supply voltage with the nominal voltage of appliance	
2	The food is insufficiently cooked/burnt	The cooking time is not correct	Combine recipes and your personal experience to adjust preparation and timing
3	Smoke during first use	Rust-preventive oil remaining on the heater of appliance	Set the temperature at maximum and perform a pre-heating for 10-15 minutes to remove rust-preventive oil on the heat of appliance
4	Strange smell	Foreign object on cooking basket, basket drawer and heater	Remove the foreign object
5	E2	NTC shorted, Parts Defective	Send to service for repair
6	E4	NTC shorted, Parts Defective	

Contact our authorised service for repair, in case the problem cannot be solved after performing the above-mentioned supervision.

Product Guarantee

12 months breakdown and repair guarantee

Guarantor: **Beko plc, 1 Greenhill Crescent, Watford, Hertfordshire. WD18 8UF**

The guarantee does not in any way diminish your statutory or legal rights.

Your **appliance** has the benefit of our manufacturer's guarantee which covers the product for 12 months from the date of original purchase.

This gives you reassurance that if within that time, your **appliance** is proven to be defective because of either workmanship or materials, we will at our discretion either repair or replace your **appliance**.

The **appliance** must be correctly installed, located and operated in accordance with the instructions contained in the user manual. The guarantor disclaims any liability for accidental or consequential damage.

The Guarantee is subject to the following conditions:

- Documentary proof of the original purchase date is provided.
- The appliance has been installed and operated correctly and in accordance with our operating and maintenance instructions.
- The appliance is used only on the electricity supply on the rating plate.
- The appliance has only been used for normal domestic purposes.
- The appliance has not been altered, serviced, dismantled or otherwise interfered with by any person.
- The appliance is used in the United Kingdom or Republic of Ireland.
- Any parts removed during repair work or any product that has been replaced becomes our property.
- The guarantee is not transferrable if the product is resold.

The Guarantee does not cover:

- Transit, installation or delivery damage.
- Accidental damage.
- Misuse or abuse.
- Replacement of any consumable item or accessories. These include but are not limited to: plugs, cables, light bulbs, knobs, filters and flaps.
- Repairs or replacements required as a result of unauthorised repairs or inexperienced installation that fails to meet the requirements contained in the user guide or instruction book.
- Repairs to products used in commercial or non-residential household premises.

How to obtain after sales service, help or general advice

Please keep your purchase receipt or other proof of purchase in a safe place as you will need to show us this document if your product requires attention within the guarantee period.

Please also record your product details below, which will allow you to access our services more quickly and help us identify your product. The model number is printed on the front of the user guide and the serial and model number is shown on your products rating plate.

Model number	Serial number	Purchased from	Date of purchase

Please call our UK based Customer Service department if you need help or advice from us:

United Kingdom and Northern Ireland: **0333 207 9710**

Republic of Ireland: **01 862 3411**

You can also contact us through our website: **www.beko.co.uk**

Bitte lesen Sie zuerst dieses Benutzerhandbuch!

Sehr geehrter Kunde,

Vielen Dank, dass Sie sich für ein Grundig Produkt entschieden haben. Wir möchten, dass Sie mit diesem qualitativ hochwertigen Produkt, das nach dem neuesten Stand der Technik hergestellt wurde, die optimale Effizienz erreichen. Bitte stellen Sie sicher, dass Sie diesen Leitfaden und die ergänzende Dokumentation vor der Verwendung vollständig gelesen und verstanden haben, und bewahren Sie ihn als Referenz auf. Legen Sie diesen Leitfaden dem Gerät bei, wenn Sie es an eine andere Person weitergeben. Beachten Sie alle hierin enthaltenen Warnungen und Informationen und befolgen Sie die Anweisungen.

Denken Sie daran, dass dieses Benutzerhandbuch für mehrere Produktmodelle gelten kann. Der Leitfaden zeigt deutlich alle Variationen der verschiedenen Modelle auf.

Symbole und ihre Bedeutungen

Diese Symbole werden in diesem Leitfaden durchgängig verwendet:



Wichtige Informationen und hilfreiche Tipps zur Verwendung des Geräts.



WARNUNG: Warnungen vor gefährlichen Situationen, die die Sicherheit von Leben und Eigentum betreffen.



Geeignet für den Kontakt mit Lebensmitteln.



Tauchen Sie das Gerät, das Netzkabel oder den Netzstecker niemals in Wasser oder andere Flüssigkeiten.



Warnung vor heißen Oberflächen.



**RECYCLT &
WIEDERVERWENDBARES
PAPIER**

1 Wichtige Sicherheits- und Umwelthinweise

Dieser Abschnitt enthält Sicherheitshinweise zur Vermeidung von Gefahren, die zu Verletzungen oder Sachschäden führen können.

Die Nichtbeachtung dieser Sicherheitsvorschriften hat den Verlust der Garantie zur Folge.

1.1 Allgemeine Sicherheit

- Dieses Gerät entspricht den internationalen Sicherheitsstandards.
 - Dieses Gerät ist nur für den Hausgebrauch und die Lebensmittelzubereitung bestimmt, es ist nicht für den professionellen Gebrauch geeignet.
 - Dieses Gerät kann nicht von Kindern im Alter von 0-8 Jahren verwendet werden. Das Gerät darf nur von Kindern ab 8 Jahren benutzt werden, vorausgesetzt, dass sie unter ständiger Aufsicht stehen. Dieses Gerät kann von Personen mit eingeschränkten physischen, auditiven oder mentalen Fähigkeiten oder mit mangelnder Erfahrung und Kenntnissen verwendet werden, wenn sie unter Aufsicht oder mit Informationen über die sichere Verwendung und die Gefahren, die sich daraus ergeben, versorgt werden.
- Dieses Produkt ist nicht für den kommerziellen Gebrauch bestimmt, es ist für den Gebrauch zu Hause und für die folgenden Anwendungen vorgesehen:
 - In den Personalküchen der Geschäfte, Büros und anderen Arbeitsumgebungen;
 - In Wohngebäuden landwirtschaftlicher Betriebe;
 - Durch Kunden in Hotels, Motels oder anderen Unterkünften;
 - In Hostels oder ähnlichen Einrichtungen;
 - Schlafzimmer und Frühstücksorte
 - Kinder sollten keine Reinigungs- und Wartungsarbeiten durchführen, wenn sie nicht von einem Erwachsenen beaufsichtigt werden.
 - Bewahren Sie das Produkt und das Produktkabel außerhalb der Reichweite von Kindern unter 8 Jahren auf.

- Positionieren Sie die Griffe der Küchengeräte (falls vorhanden) so, dass keine heißen Flüssigkeiten verschüttet werden, und legen Sie sie sicher ab.
- Vergewissern Sie sich, dass die auf dem Gerät angegebene Spannung mit der Netzspannung in Ihrem Haus übereinstimmt.
- Verwenden Sie das Gerät in einem Erdungsstecker.
- Verwenden Sie das Gerät nicht mit einem Verlängerungskabel.
- Stellen Sie Ihr Gerät nicht auf oder in die Nähe von Wärmequellen wie Öfen und Herde.
- Um eine Beschädigung des Netzkabels zu vermeiden, verhindern Sie, dass es eingeklemmt, gequetscht oder an scharfen Kanten gerieben wird.
- Ziehen Sie den Netzstecker des Geräts nicht durch Ziehen am Kabel aus.
- Tauchen Sie das Gerät, oder sein Stromkabel nicht im Wasser für Reinigung, ein.
- Lassen Sie das Gerät nicht unbeaufsichtigt, während es eingesteckt ist.
- Zerlegen Sie das Gerät nicht.
- Verwenden Sie nur Originalteile oder Teile empfohlen von der Hersteller.
- Ziehen Sie vor der Reinigung den Netzstecker und trocknen Sie alle Teile nach der Reinigung vollständig ab.
- Reinigen Sie das Gerät gemäß den Anweisungen im Abschnitt Reinigung und Wartung.
- Legen Sie keine großen Stücke von Lebensmitteln in das Gerät, da dies zu einem Brand führen kann.
- Berühren Sie den Stecker des Geräts nicht, solange Ihre Hände feucht oder nass sind.
- Verwenden Sie das Gerät nicht in feuchten Umgebungen.
- Bewegen Sie das Gerät nicht, wenn es in Betrieb ist und das Öl im Inneren heiß ist.
- Verwenden Sie das Gerät nicht in oder in der Nähe von explosiven oder entflammaren Umgebungen und Substanzen.
- Um die Gefahr von Verbrennungen zu vermeiden, lassen Sie das Gerät abkühlen, bevor Sie es berühren.

gen zu vermeiden, berühren Sie keine heißen Oberflächen.

- Lassen Sie das Gerät an einem sicheren Ort außerhalb der Reichweite von Kindern abkühlen.
- Blockieren Sie die Lufteinlass- und Luftauslass Öffnungen nicht, während das Gerät in Betrieb ist.
- Beugen Sie sich nicht vor, während das Gerät in Betrieb ist. Während der Benutzung steigt heiße Luft aus dem Gerät auf!
- Das Gerät wird während des Gebrauchs heiß. Um die Gefahr von Verbrennungen zu vermeiden, berühren Sie keine heißen Oberflächen.
- Stellen Sie sicher, dass der Raum während der Benutzung ausreichend belüftet wird.
- Ziehen Sie im Falle eines Brandes den Netzstecker.
- Gießen Sie kein Wasser auf das Gerät, da dies die Gefahr eines Stromschlags birgt.
- Betreiben Sie das Gerät nicht mit einer externen Zeitschaltuhr oder einem separaten Fernbe-

dienungssystem.

- Verwenden Sie mit dem Gerät nur Küchengeräte aus Metall mit isolierten Griffen.
- Legen Sie keine Gegenstände auf das Gerät, während es in Betrieb oder heiß ist.
- Schalten Sie die Blinkertaste aus, um die Verbindung zu trennen. Ziehen Sie dann den Netzstecker des Geräts heraus.
- Wenn Sie die Verpackung der Materialien behalten, lagern Sie diese aus dem Reichweite von Kindern.
- Sollte das Netzkabel beschädigt sein, muss es durch den Hersteller, seinen Kundendienst oder ähnlich qualifizierte Personen ersetzt werden, um mögliche Gefahren zu vermeiden.

Informationen zur Entsorgung

1.2 Ihre Pflichten als Endnutzer



Dieses Produkt erfüllt die Vorgaben der EU-WEEE-Direktive (2012/19/ EU). Das Produkt wurde mit einem Klassifizierungssymbol für elektrische und elektronische Altgeräte (WEEE) gekennzeichnet.

Dieses Elektro- bzw. Elektronikgerät ist mit einer durchgestrichenen Abfalltonne auf Rädern gekennzeichnet. Das Gerät darf deshalb nur getrennt vom unsortierten Siedlungsabfall gesammelt und zurückgenommen werden. Es darf somit nicht in den Hausmüll gegeben werden. Das Gerät kann z.B. bei einer kommunalen Sammelstelle oder ggf. bei einem Vertreiber (siehe unten zu deren Rücknahmepflichten in Deutschland) abgegeben werden.

Das gilt auch für alle Bauteile, Unterbaugruppen und Verbrauchsmaterialien des zu entsorgenden Altgeräts.

Bevor das Altgerät entsorgt werden darf, müssen alle Altbatterien und Altakkumulatoren vom Altgerät getrennt werden, die nicht vom Altgerät umschlossen sind. Das gleiche gilt für Lampen, die zerstörungsfrei aus dem Altgerät entnommen werden können. Der Endnutzer ist zudem selbst dafür verantwortlich, personenbezogene Daten auf dem Altgerät zu löschen.

Die ordnungsgemäße Entsorgung gebrauchter Geräte trägt dazu bei, mögliche negative Folgen für die Umwelt und die menschliche Gesundheit zu vermeiden.

1.3 Hinweise zum Recycling



Helfen Sie mit, alle Materialien zu recyceln, die mit diesem Symbol gekennzeichnet sind. Entsorgen Sie solche Materialien, insbesondere Verpackungen, nicht im Hausmüll, sondern über die bereitgestellten Recyclingbehälter oder die entsprechenden örtlichen Sammelsysteme.

Recyceln Sie zum Umwelt- und Gesundheitsschutz elektrische und elektronische Geräte.

1.4 Rücknahmepflichten der Vertreiber

Wer auf mindestens 400 m² Verkaufsfläche Elektro- und Elektronikgeräte vertreibt oder diese gewerblich an Endnutzer abgibt, ist verpflichtet, bei Abgabe eines neuen Gerätes, ein Altgerät des Endnutzers der gleichen Geräteart, das im Wesentlichen die gleichen Funktionen wie das neue Gerät erfüllt, am Ort der Abgabe oder in unmittelbarer Nähe, unentgeltlich zurückzunehmen. Das gilt auch für Vertreiber von Lebensmitteln mit einer Gesamtverkaufsfläche von mindestens 800 m², die mehrmals im Kalenderjahr oder dauerhaft Elektro- und Elektronikgeräte anbieten und auf dem Markt bereitstellen. Solche Vertreiber müssen zudem auf Verlangen des Endnutzers Altgeräte, die in keiner äußeren Abmessung größer als 25 cm sind, (kleine Elektrogeräte) im Einzelhandelsgeschäft oder in unmittelbarer Nähe hierzu unentgeltlich zurückzunehmen; die Rücknahme darf in diesem Fall nicht an den Kauf eines Elektro- oder Elektronikgerätes verknüpft, kann aber auf drei Altgeräte pro Geräteart beschränkt werden.

Ort der Abgabe ist auch der private Haushalt, wenn das neue Elektro- oder Elektronikgerät dort hin geliefert wird; in diesem Fall ist die Abholung des Altgerätes für den Endnutzer kostenlos.

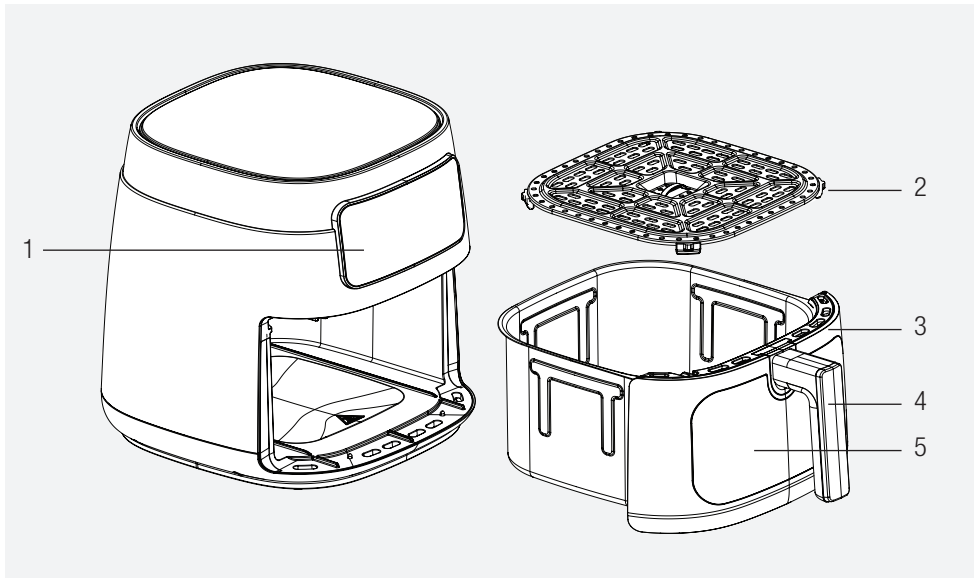
Die vorstehenden Pflichten gelten auch für den Vertrieb unter Verwendung von Fernkommunikationsmitteln, wenn die Vertreiber

Lager- und Versandflächen für Elektro- und Elektronikgeräte bzw. Gesamtlager und Versandflächen für Lebensmittel beinhalten, die den oben genannten Verkaufsflächen entsprechen. Die unentgeltliche Abholung von Elektro- und Elektronikgeräten ist dann aber auf Wärmeüberträger (z.B. Kühlschrank), Bildschirme, Monitore und Geräte, die Bildschirme mit einer Oberfläche von mehr als 100 cm² enthalten und Geräte beschränkt, bei denen mindestens eine der äußeren Abmessungen mehr als 50 cm beträgt. Für alle übrigen Elektro- und Elektronikgeräte muss der Vertreiber geeignete Rückgabemöglichkeiten in zumutbarer Entfernung zum jeweiligen Endnutzer gewährleisten; das gilt auch für kleine Elektrogeräte (s.o.), die der Endnutzer zurückgeben möchte, ohne ein neues Gerät zu erwerben.

1.5 Einhaltung von RoHS-Vorgaben:

Das von Ihnen erworbene Produkt erfüllt die Vorgaben der EU-RoHS Richtlinie (2011/65/EU). Es enthält keine in der Richtlinie angegebenen gefährlichen und unzulässigen Materialien.

2 Heißluftfritteuse



1. Digitales Bedienfeld
2. Kochrost
3. Garkorb abnehmen
4. Griff
5. Beleuchteter rückverfolgbarer Garraum

Technische Daten

Stromversorgung	220-240V~, 50-60Hz
Leistungsaufnahme	1750 W

Die auf dem Gerät angebrachten Zeichen und die in den mitgelieferten Unterlagen angegebenen Werte wurden unter Laborbedingungen in Übereinstimmung mit den entsprechenden Normen ermittelt. Die Werte können je nach Verwendung des Geräts und den Umgebungsbedingungen variieren. Die Leistungswerte wurden mit einer Spannung von 230 V getestet.

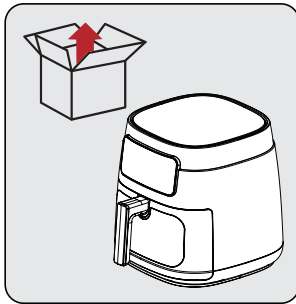
3 Verwendung

3 Vorgesehene Verwendung

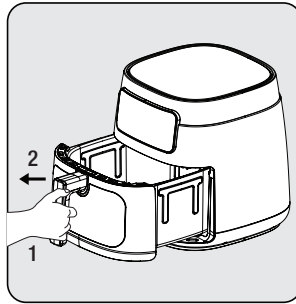
- Dieses Gerät ist für den Hausgebrauch bestimmt und nicht für den professionellen Einsatz geeignet.
- Wenn Sie das Gerät zum ersten Mal benutzen, kann es zu einer leichten Rauchentwicklung kommen. Das ist normal.

3.1 Vorbereiten des Geräts für den Gebrauch

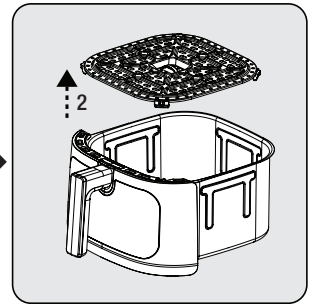
- Verwenden Sie das Gerät in aufrechter Position auf einer stabilen, ebenen, sauberen, trockenen und rutschfesten Oberfläche.



Bevor Sie das Gerät zum ersten Mal benutzen, entfernen Sie das Verpackungsmaterial und stellen Sie das Gerät an einem flachen und sauberen Ort auf.



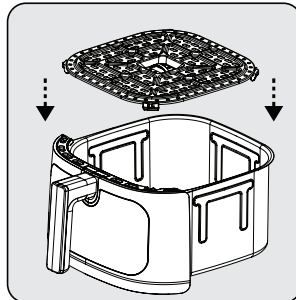
Fassen Sie den Griff (4) fest an, um den herausnehmbaren Garkorb (3) zu lösen; nehmen Sie dann die Schublade aus ihrem Gehäuse.



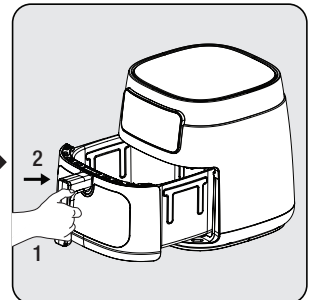
Legen Sie die Schublade auf eine ebene Fläche, um den Kochrost (2) von der Schublade zu lösen. Heben Sie den Kochrost (2) aus der Schublade.



Reinigen Sie den Kochrost (2) und den herausnehmbaren Garkorb (3) mit warmem Seifenwasser und trocknen Sie die Außenseite des Geräts und die gewaschenen Teile gründlich ab.



Es gibt 2 Kerben auf beiden Seiten des Griffs. Setzen Sie den Korb in sein Gehäuse ein, indem Sie die Laschen in die Kerben an der Oberseite der Korbschublade einrasten lassen.

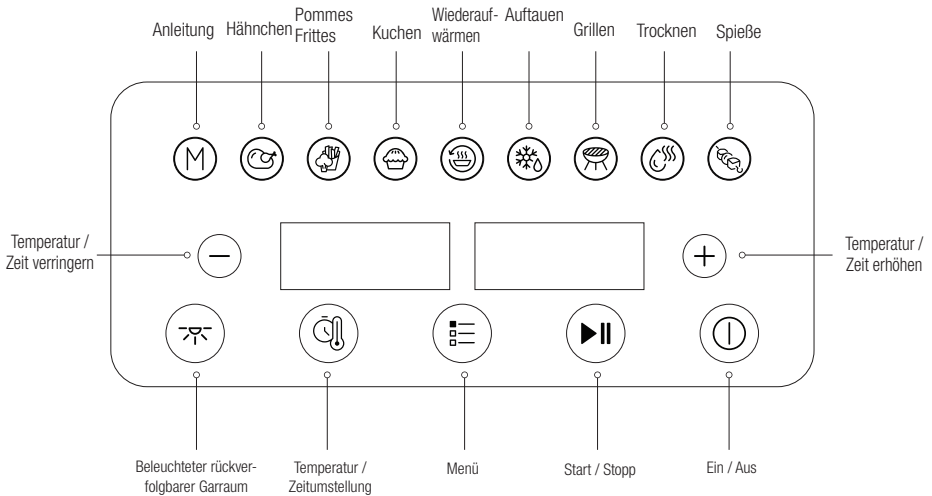




Befestigen Sie die Schublade am Gerät, nachdem Sie alle Teile gereinigt haben. Das Gerät ist einsatzbereit.



- Stellen Sie das Gerät bei der ersten Verwendung auf die höchste Temperatur ein und lassen Sie es etwa 10 Minuten lang laufen, ohne Lebensmittel hinzuzufügen.
- Verwenden Sie die Korbschublade (6) niemals ohne den herausnehmbaren Garrost (2).

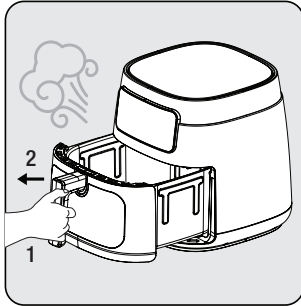
3.2 Bedienfeld und LED-Anzeige:



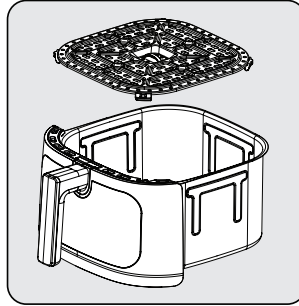
- Drücken Sie das Symbol  „Menü“, bis Sie das gewünschte Programm gefunden haben, um ein Programm auszuwählen. Wenn das gewünschte Programm gefunden wurde, blinkt die Lampe des Programms, drücken Sie das Symbol  „Start“, um das Programm zu starten.
- Wenn **“End”** auf dem Display erscheint, ist der Garvorgang beendet und der Garkorb muss entnommen werden.
- Die Anzeige schaltet sich aus, wenn der Garkorb aus dem Gerät genommen wird. Das Gerät schaltet sich wieder ein, wenn der Garkorb wieder eingesetzt wird.

3 Verwendung

3.3 Warnungen vor dem ersten Gebrauch



Wenn der herausnehmbare Garkorb (3) während des Betriebs des Geräts zurückgezogen wird, tritt heißer Dampf aus dem Luftauslass und der Oberseite des Korbs aus. Achten Sie deshalb darauf, dass Sie sich nicht an dem heißen Dampf verbrennen.



Wenn Sie den Garrost (2) und die Korb-schublade (3) bei höheren Temperaturen verwenden, achten Sie darauf, dass Sie sie nicht direkt berühren.

3.4 Bedienung

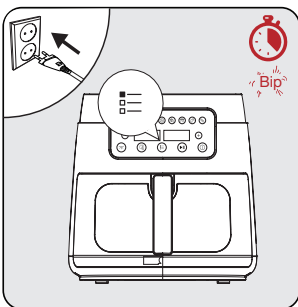
3.4.1 Auswählen und Starten eines Programms



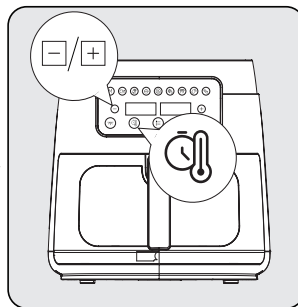
Auf dem Display werden die automatisch eingestellten Temperaturen und Zeiten entsprechend den gewählten Garfunktionen angezeigt. Sie können diese Temperaturen und Zeiten nach Belieben ändern.



Drücken Sie das Abschaltsymbol, wenn Sie nach dem Start des Geräts zu einem anderen Programm wechseln möchten. Drücken Sie anschließend „Menü“, um das gewünschte Programm auszuwählen.



Schließen Sie das Gerät an und drücken Sie einmal auf das Ein-/Aus-Symbol. Es erscheint die gesamte Auswahlanzeige. Drücken Sie das Symbol "Menü" , bis Sie die gewünschte Funktion erreicht haben.



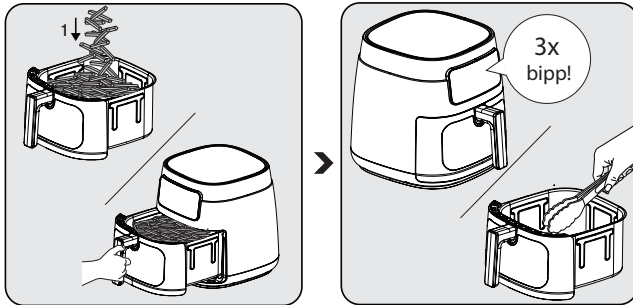
Drücken Sie auf das Symbol "Temperatur / Zeit" ändern. Die Temperatur blinkt auf dem Display. Ersetzen Sie sie durch die gewünschte Temperatur oder Symbol. Wenn Sie erneut auf das Symbol "Temperatur / Zeit" drücken, blinkt die Zeit auf dem Display. Stellen Sie die Garzeit mit den Symbolen oder ein.


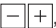



Drücken Sie das Symbol "Start/Stop" und starten Sie das Gerät. Legen Sie die Lebensmittel, die Sie garen möchten, in den Garkorb des Geräts. Wenn Sie den Garkorb an seinen Platz stellen, erscheint auf dem Display die von Ihnen eingestellte Zeit, ausgenommen die Vorheizzeit, und die Zeit beginnt herunterzuzählen.

3 Verwendung

3.4.2 Temperatur- und Zeiteinstellung



Drücken Sie das Symbol , um die Temperatur und die Zeit einzustellen. Drücken Sie anschließend das Symbol , um die gewünschte Temperatur und Zeit einzustellen. Drücken Sie das Symbol  zum Starten.

Wenn die Hälfte der eingestellten Programmzeit erreicht ist, kann die Korb-schubblate (3) herausgenommen werden, und Sie können die Speisen mit einem Hilfswerkzeug (Zange usw.) verwenden.



- Der Garrost besteht aus hochtemperaturbeständigem Silikonmaterial, das zum Garen von Speisen verwendet werden kann. Es verhindert im Wesentlichen, dass der Korbbelag zerkratzt wird. Achten Sie deshalb darauf, dass es sich während des Kochens nicht löst.
- Achten Sie auf den heißen Dampf, der beim Herausziehen der Korbschubblate (3) austreten kann, und berühren Sie sie nicht mit bloßen Händen, da sie sehr heiß ist.
- Verwenden Sie zum Herausnehmen der gegarten Speisen ein Werkzeug (Zange usw.), das die Innenfläche des Geräts nicht beschädigt.

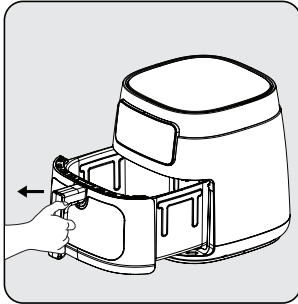
3 Verwendung

3.5 Kochen

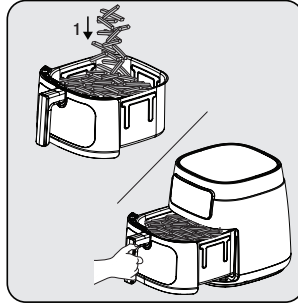
- Mischen Sie die Lebensmittel mit Öl, bevor Sie sie in den herausnehmbaren Garkorb (3) geben.



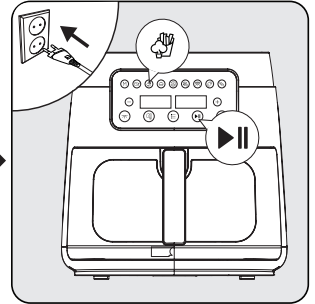
Halten Sie die Korbschublade (3) und den herausnehmbaren Garrost (2) nur am Griff fest, solange sie heiß sind.



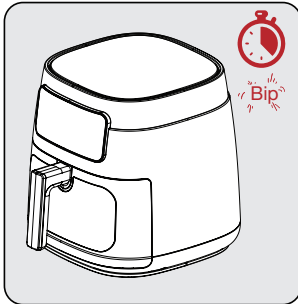
Fassen Sie den Griff fest an, um die Korbschublade (3) zu öffnen; nehmen Sie dann die Schublade aus dem Gerät und legen Sie sie auf eine flache, saubere Oberfläche.



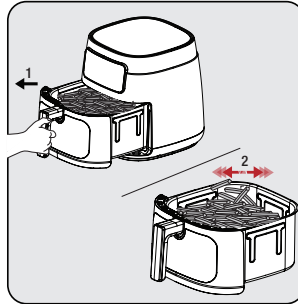
Legen Sie die Lebensmittel in den Garkorb (3). Bringen Sie dann den Korb am Gerät an und stellen Sie sicher, dass er vollständig passt.



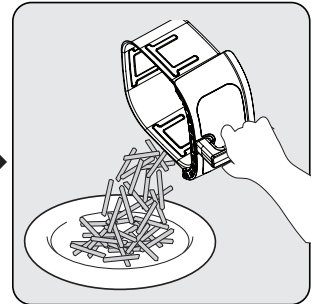
Schließen Sie Ihr Gerät an und wählen Sie das gewünschte Garprogramm. Dann starten Sie den Garvorgang.



Wenn die eingestellte Zeit abgelaufen ist, ertönt ein Warnton und das Gerät schaltet sich automatisch aus. Wenn das Garprogramm beendet ist, erscheint auf dem Display die Meldung "Ende". Dieser Ausdruck zeigt an, dass das Speiseprogramm beendet ist.

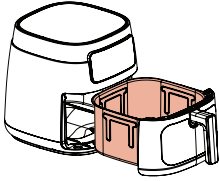


Nehmen Sie den herausnehmbaren Garkorb (3) heraus und prüfen Sie, ob das Gargut gebraten oder gefroren ist oder nicht. Wenn es eine zusätzliche Garzeit benötigt, können Sie die Garzeit etwas verlängern.



Nachdem der Prozess abgeschlossen ist, gießen Sie die Zutaten im Korb in eine Schüssel oder einen Teller.

3 Verwendung



Vermeiden Sie den Kontakt des Garkorbs mit der Außenfläche des Geräts, da die Oberfläche des Garkorbs (5) während und nach dem Garen heiß ist.



- Lassen Sie die Speisen 5-10 Sekunden ruhen, bevor Sie sie aus dem herausnehmbaren Garkorb (5) nehmen.
- Verwenden Sie eine Zange, um große oder weiche Lebensmittel aus dem Korb zu nehmen, um die Innenfläche des Geräts nicht zu beschädigen.
- Wenn eine Charge fertig ist, ist das Gerät sofort für eine weitere Charge bereit.










Beachten Sie, dass das Gerät während des Wendevorgangs sehr heiß werden kann.

4 Kochzeit

Die folgende Tabelle gibt einen Überblick über die Garzeiten für verschiedene Lebensmittel. Die Garzeit variiert je nach Dicke und Beschaffenheit der Lebensmittel. Die empfohlenen Zeiten und Mengen sind als Richtwerte zu betrachten.

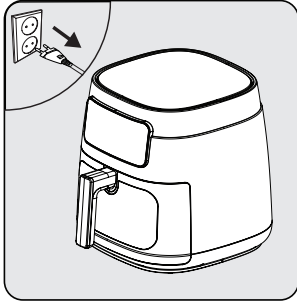
Führen Sie vor dem Garen einen Vorheizvorgang durch, bis das Gerät die in der Tabelle angegebene empfohlene Temperatur erreicht hat, um erfolgreiche Ergebnisse zu erzielen.

PRO-GRAMM	NAHRUNG	MENGE	SYMBOL	TEMPERATUR	ZEIT (Min.) INTERVALL	MISCHEN / SCHÜTTELN
AUFTAUEN				80 °C	13-17 min.	2
POMMES FRITTES	Tiefgekühlte Kartoffel	500 g		200 °C	15-20 Min.	4
HÄHNCHEN	Hähnchen- schenkel	450 g		200 °C	20 Minuten	2
GRILLEN	Burger im Brötchen	500 g		190 °C	15 Min.	2
SPIESSE	Hähnchen- spieße	500 g		180 °C	15-20 min.	4
KUCHEN	Muffin	6 Mini-Muffin- förmchen		160 °C	20 Minuten	X
TROCKNEN				70 °C	60-140 min.	X

5 Reinigung und Wartung

5.1 Reinigung

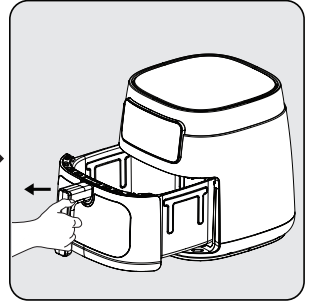
i Verwenden Sie zur Reinigung des Geräts niemals Benzin, Lösungsmittel, Scheuermittel, Metallgegenstände oder harte Bürsten.



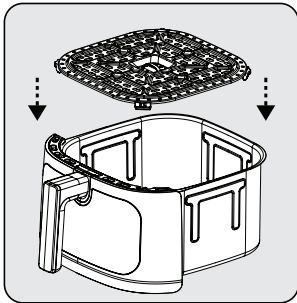
Schalten Sie das Gerät aus und trennen Sie es vom Stromnetz.



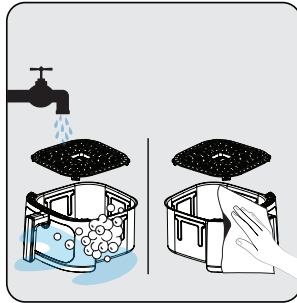
Lassen Sie das Gerät vollständig abkühlen.



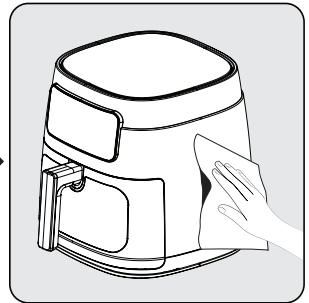
Nehmen Sie den Garkorb (3) aus der Schublade.



Nehmen Sie den Grillrost (2) aus dem Korb, indem Sie ihn am Griff anfassen und nach oben ziehen.



Reinigen Sie den herausnehmbaren Garkorb (3) und die Korbschublade (2) mit warmer Seifenlauge und trocknen Sie sie anschließend gründlich ab.



Reinigen Sie die Außenseite des Geräts mit einem feuchten Tuch. Trocknen Sie die Außenseite des Geräts vollständig ab.

i Halten Sie den Boden des herausnehmbaren Garkorbs (3) und den Grillrost (2) stets sauber, um die Ansammlung von Fremdkörpern zu vermeiden.

5 Reinigung und Wartung

5.2 Lagerung

- Wenn Sie das Gerät über einen längeren Zeitraum nicht benutzen wollen, bewahren Sie es sorgfältig auf.
- Ziehen Sie den Netzstecker und lassen Sie das Gerät abkühlen, bevor Sie es wegstellen.
- Lagern Sie das Gerät an einem kühlen und trockenen Ort.
- Bewahren Sie das Gerät und das Netzkabel außerhalb der Reichweite von Kindern auf.

5.3 Transport und Versand

- Transportieren Sie das Gerät während der Handhabung und des Transports in seiner Originalverpackung. Die Verpackung schützt das Gerät vor physischen Schäden.
- Platzieren Sie keine schweren Gegenstände auf das Gerät oder seine Verpackung. Das Gerät kann beschädigt werden.
- Wenn das Gerät fallen gelassen wird, kann es aufhören zu funktionieren, oder es können dauerhafte Schäden entstehen.

6 Problembehandlung

	Das Problem	Ursache	Lösung
1	Gerät nicht funktionsfähig	Stromausfälle	Prüfen Sie die Stromversorgung und stellen Sie sicher, dass Strom vorhanden ist.
		Kein Strom oder schlechter Kontakt an der Steckdose	
		Die Spannung der Stromversorgung stimmt nicht mit der Nennspannung des Geräts überein	
2	Die Speisen sind unzureichend gegart/gebrannt	Die Garzeit ist nicht korrekt	Kombinieren Sie Rezepte und Ihre persönliche Erfahrung, um die Zubereitung und den Zeitpunkt anzupassen.
3	Rauch beim ersten Gebrauch	Rostschutzöle auf der Heizung des Geräts	Stellen Sie die Temperatur auf Maximum und führen Sie ein Vorheizen von 10-15 Minuten durch, um Rostschutzöl auf dem Gerät zu entfernen.
4	Seltsamer Geruch	Fremdkörper auf Garkorb, Korbschubblende und Heizung	Entfernen Sie den Fremdkörper
5	E2	NTC kurzgeschlossen, Teile defekt	Zur Reparatur an den Kundendienst schicken
6	E4	NTC kurzgeschlossen, Teile defekt	

Wenden Sie sich zur Reparatur an unseren autorisierten Kundendienst, falls das Problem nach Durchführung der oben genannten Kontrollen nicht gelöst werden kann.

Technische Daten



Stromversorgung: 220-240 V~, 50-60 Hz

Leistung: 1750 W

Technische und optische Änderungen vorbehalten.

Service und Ersatzteile

Unsere Geräte werden nach den neuesten technischen Erkenntnissen entwickelt, produziert und geprüft. Sollte trotzdem eine Störung auftreten, so bitten wir Sie, sich mit Ihrem Fachhändler bzw. mit der Verkaufsstelle in Verbindung zu setzen. Sollte dies nicht möglich sein, wenden Sie sich bitte an das BEKO GRUNDIG Service-Center unter folgenden Kontaktdaten:

Telefon: 0911 / 590 597 29
(Montag bis Freitag von 08.00 bis 18.00 Uhr)
Telefax: 0911 / 590 597 31
E-Mail: service@grundig.com
<http://www.grundig.com/de-de/support>

Unter den obengenannten Kontaktdaten erhalten Sie ebenfalls Auskunft über den Bezug möglicher Ersatz- und Zubehörteile.

BEKO GRUNDIG Kundenberatungszentrum

Montag bis Freitag von 8.00 bis 18.00 Uhr
Deutschland : 0911 / 590 597 30
Österreich : 0820 / 220 33 22 *
* gebührenpflichtig (0,145 €/Min. aus dem Festnetz, Mobilfunk: max. 0,20 €/Min.)

Haben Sie Fragen?

Unser Kundenberatungszentrum steht Ihnen werktags stets von 8.00 – 18.00 Uhr zur Verfügung.

Sehr geehrte Kundin, sehr geehrter Kunde,

als Käufer eines Haushaltskleingerätes der Marke Beko stehen Ihnen die gesetzlichen Gewährleistungsrechte (Nachbesserung und Nacherfüllung) aus dem Kaufvertrag zu. Die Gewährleistung erfolgt für die Fehlerfreiheit bei Geräteübergabe entsprechend dem jeweiligen Stand der Technik. Über die Gewährleistung hinaus räumt Ihnen der Hersteller eine Garantie ein, diese schränkt die gesetzliche Gewährleistung – die für 24 Monate ab dem Kaufdatum gilt - nicht ein. Garantiert wird die Mängelbeseitigung durch Reparatur oder Austausch nach Wahl des Herstellers.

Sollte eine Störung an Ihrem Gerät auftreten, wenden Sie sich bitte an Ihren Fachhändler bzw. den Verkäufer. Dieser wird vor Ort das Gerät prüfen und den Kundenservice durchführen. Auch soweit Ansprüche aus der Herstellergarantie bestehen, werden diese nur durch den Verkäufer abgewickelt.

Die Garantiezeit beträgt 24 Monate ab Kaufdatum.

Bedingungen:

1. Ein maschinell erstellter Original-Kaufbeleg liegt vor.
2. Das Gerät ist nur mit Original-Zubehör und Original-Ersatzteilen betrieben worden.
3. Die in der Gebrauchsanweisung erwähnten Wartungs- und Reinigungsarbeiten sind entsprechend ausgeführt worden.
4. Das Gerät wurde nicht geöffnet/zerlegt.
5. Bauteile, die einem gebrauchsbedingtem Verschleiß unterliegen, fallen nicht unter die Garantie
6. Ausgewechselte Teile werden Eigentum des Herstellers.
7. Ausgeschlossen von der Garantie sind die Mängel, die durch unsachgemäße Installation, z.B. Nichtbeachtung der VDE-Vorschriften; unsachgemäße Aufstellung, z.B. Nichtbeachtung der Einbau- oder Installationsvorschriften; äußere Einwirkung, z.B. Transportschäden, Beschädigung durch Stoß oder Schlag, Schäden durch Witterungseinflüsse, unsachgemäße Bedienung oder Beanspruchung, z.B. Nichtbeachtung der Gebrauchsanweisungen verursacht wurden.
8. Eine gewerbliche oder gleichzustellende Nutzung, z.B. in Hotels, Pensionen, Gaststätten, Arztpraxen oder Gemeinschaftsanlagen, gilt als eine nicht bestimmungsgemäße Benutzung, die die Garantie ausschließt.
9. Die Mängelbeseitigung verlängert die ursprüngliche Garantiezeit nicht.
10. Schadenersatzansprüche, auch hinsichtlich Folgeschäden, sind, soweit sie nicht auf Vorsatz oder grober Fahrlässigkeit beruhen, ausgeschlossen.
11. Der Anspruch auf Garantieleistung steht nur dem Erstkäufer zu und erlischt bei Weiterverkauf des Produktes durch den Erstkunden.
12. Die Garantie gilt für neue Produkte und nicht für Produkte, die als Gebrauchtgeräte verkauft worden sind und nicht für B-Ware.
13. Die Garantie ist nicht übertragbar.

Diese Garantiezusage ist nur gültig innerhalb der Bundesrepublik Deutschland

Garantiebedingungen - Beko – Version Februar 2021

Veillez d'abord lire ce manuel !

Cher/Chère client(e),

Merci d'avoir choisi un produit Laisure. Nous aimerions que vous obteniez une efficacité optimale de ce produit de haute qualité qui a été fabriqué avec une technologie de pointe. Veillez à lire et à comprendre entièrement ce guide et la documentation supplémentaire avant de les utiliser et conservez-les comme référence. Joignez ce guide à l'unité si vous le remettez à quelqu'un d'autre. Respectez tous les avertissements et informations contenues dans le présent document et suivez les instructions.

Veillez noter que ce manuel d'utilisation peut se rapporter à plusieurs modèles de cet appareil. Le manuel indique clairement toutes les différences entre les modèles.

Symboles et leurs significations

Les symboles suivants ont été utilisés dans ce guide :



Informations importantes et conseils utiles sur l'utilisation de l'appareil.



AVERTISSEMENT : Avertissements concernant des situations dangereuses liées à la sécurité des personnes et des biens.



Convient pour le contact avec les aliments.



Ne plongez jamais l'appareil, le câble d'alimentation ou la fiche dans de l'eau ou dans tout autre liquide.



Avertissement relatif aux surfaces chaudes.



FR

Cet appareil
et ses accessoires
se recyclent

À DÉPOSER
EN MAGASIN



OU

À DÉPOSER
EN DÉCHÈTERIE



Points de collecte sur www.quefairedemesdechets.fr
Privilégiez la réparation ou le don de votre appareil !



FR

ÉLÉMENTS
PAPIER



PAPIER
RECYCLÉ ET
RECYCLABLE

1 Instructions importantes en matière de sécurité et d'environnement

Cette section contient des instructions de sécurité visant à prévenir les dangers qui peuvent entraîner des blessures ou des dommages matériels.

Le non-respect de ces instructions annule toute garantie.

1.1 Sécurité générale

- Cet appareil est conforme aux normes internationales de sécurité.
 - Cet appareil est destiné à un usage domestique et à la préparation des aliments uniquement, il ne convient pas à un usage professionnel.
 - Cet appareil ne peut pas être utilisé par des enfants âgés de 0 à 8 ans. L'appareil ne peut être utilisé que par des enfants âgés de 8 ans et plus, à condition qu'ils soient sous surveillance constante. Cet appareil peut être utilisé par des personnes dont les capacités physiques, auditives ou mentales sont limitées, ou qui manquent d'expérience et de connaissances, si elles bénéficient d'une supervision ou d'informations sur l'utilisation en toute sécurité et les dangers rencontrés.
- Ce produit n'est pas conçu pour un usage commercial, il est destiné à être utilisé à domicile et dans les applications suivantes :
 - les cuisines du personnel de magasins, les bureaux et autres environnements de travail ;
 - les maisons de campagne ;
 - par les clients dans des hôtels, des motels ou d'autres installations d'hébergement ;
 - dans des auberges de jeunesse, ou dans des environnements similaires, et
 - Emplacement des chambres et des petits déjeuners
 - Les enfants ne doivent pas faire de nettoyage et d'entretien à moins qu'un adulte ne les supervise.
 - Gardez le produit et le câble du produit hors de portée des enfants de moins de 8 ans.
 - Positionnez les poignées des appareils de cuisson (s'il y en a)

1 Instructions importantes en matière de sécurité et d'environnement

de manière à ce que les liquides chauds ne se répandent pas et placez-les de manière sûre.

- Assurez-vous que la tension indiquée sur l'appareil est la même que celle du réseau électrique de votre domicile.
- Utilisez l'appareil dans une prise de terre.
- N'utilisez pas l'appareil avec une rallonge.
- Ne placez pas votre appareil sur ou près de sources de chaleur telles que les fours et les cuisinières.
- Pour éviter d'endommager le cordon d'alimentation, évitez qu'il soit pincé, serti ou frotté contre des arêtes vives.
- Ne débranchez pas l'appareil en tirant sur le cordon.
- N'immergez pas l'appareil ou son cordon d'alimentation dans l'eau.
- Ne laissez pas l'appareil sans surveillance lorsqu'il est branché.
- Ne démontez pas l'appareil.
- Utilisez uniquement les pièces d'origine ou celles recommandées par le fabricant.
- Débranchez l'appareil avant de le nettoyer et séchez complètement toutes les pièces après le nettoyage.
- Nettoyez l'appareil conformément aux instructions de la section Nettoyage et entretien.
- Ne mettez pas de gros morceaux d'aliments dans l'appareil car cela pourrait provoquer un incendie.
- Ne touchez pas la fiche de l'appareil lorsque vos mains sont humides ou mouillées.
- N'utilisez pas l'appareil dans des environnements humides.
- Ne déplacez pas l'appareil lorsqu'il est en service et que l'huile à l'intérieur est chaude.
- N'utilisez pas l'appareil dans ou à proximité d'environnements et de substances explosives ou inflammables.
- Pour éviter tout risque de brûlure, ne touchez pas les surfaces chaudes.
- Laissez l'appareil refroidir dans un endroit sûr, hors de portée

1 Instructions importantes en matière de sécurité et d'environnement

des enfants.

- Ne bloquez pas les ouvertures d'entrée et de sortie d'air pendant que l'appareil fonctionne.
- Ne vous penchez pas pendant l'utilisation de l'appareil. De l'air chaud s'élève de l'appareil pendant son utilisation !
- L'appareil devient chaud pendant son utilisation. Pour éviter tout risque de brûlure, ne touchez pas les surfaces chaudes.
- Veillez à ce que la pièce soit suffisamment ventilée pendant l'utilisation.
- En cas d'incendie, débranchez l'appareil.
- Ne versez pas d'eau sur l'appareil, car cela pourrait provoquer un risque de choc électrique.
- Ne faites pas fonctionner l'appareil avec une minuterie externe ou un système de télécommande séparé.
- Utilisez uniquement des ustensiles de cuisine en métal avec des poignées isolées avec l'appareil.
- Ne posez rien sur l'appareil lorsqu'il est en marche ou

chaud.

- Désactivez le bouton de l'indicateur pour le déconnecter. Ensuite, débranchez l'appareil.
- Si vous conservez les matériaux d'emballage, gardez-les hors de portée des enfants.
- Si le cordon d'alimentation est endommagé, il doit être remplacé par le fabricant, son agent de service ou toute autre personne qualifiée afin d'éviter les risques potentiels.

1.1 Conformité avec la directive WEEE et élimination des déchets :

Ce produit est conforme à la directive européenne WEEE (2012/19/EU). Ce produit porte un symbole de classification pour les déchets d'équipements électriques et électroniques (WEEE).



Ce symbole indique que ce produit ne doit pas être éliminé avec les autres déchets ménagers à la fin de sa vie utile. Les appareils usagés doivent être retournés au point de collecte officiel pour le recyclage des dispositifs électriques et électroniques. Pour trouver ces systèmes de collecte, veuillez contacter les autorités locales ou le détaillant où le produit a été acheté. Chaque foyer joue un rôle important dans la récupération et le recyclage des vieux appareils. La mise au rebut appropriée des appareils usagés permet de prévenir les conséquences négatives potentielles pour l'environnement et la santé humaine.

1.2 Conformité avec la Directive RoHS

Votre appareil est conforme à la directive RoHS de l'Union européenne (2011/65/UE). Il ne contient pas de matériaux nuisibles et interdits spécifiés dans la directive.

1.3 Informations relatives à l'emballage

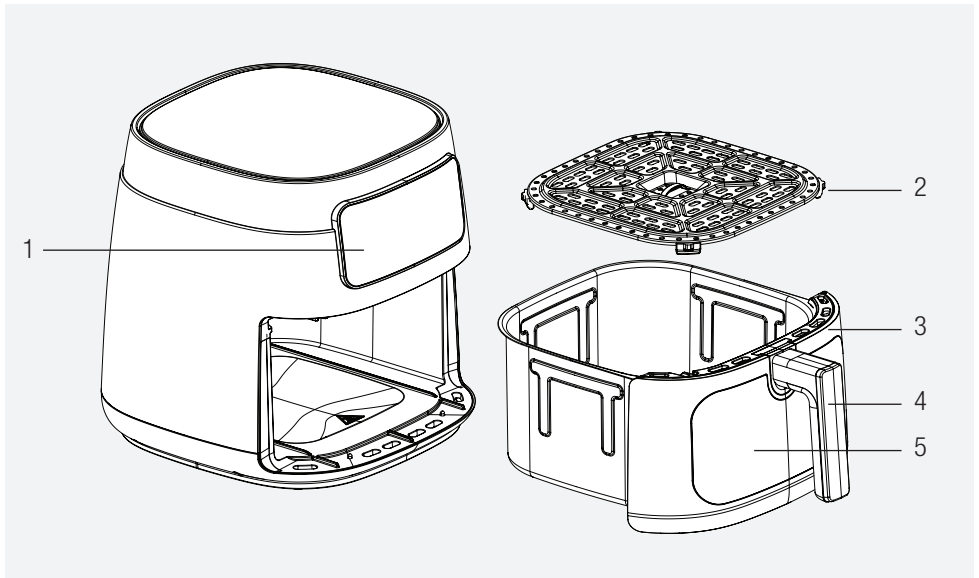


Les matériaux d'emballage de cet appareil sont fabriqués à partir de matériaux recyclables, conformément à nos réglementations nationales en matière d'environnement. Ne mettez pas les matériaux d'emballage au rebut avec les ordures ménagères et d'autres déchets. Apportez-les aux points de collecte des matériaux d'emballage désignés par les autorités locales.

1.4 Points importants pour économiser l'énergie

Respectez les temps recommandés par le manuel lors de l'utilisation de l'appareil. Débranchez l'appareil après chaque utilisation.

2 Cuisinière à faible consommation d'huile



1. Panneau de commande numérique
2. Grille de cuisson
3. Panier de cuisson amovible
4. Poignée
5. Chambre de cuisson traçable éclairée

Données techniques

Source d'alimentation	220 à 240 V~, 50 à 60 Hz
Consommation d'énergie	1750 W

Les signes sur l'appareil et les valeurs spécifiées par les documents fournis avec l'appareil ont été obtenus dans des conditions de laboratoire, conformément aux normes correspondantes. Les valeurs peuvent varier en fonction de l'utilisation de l'appareil et des conditions ambiantes. Les valeurs de puissance ont été testées sous une tension de 230 V.

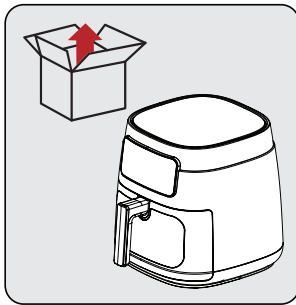
3 Utilisation

3 Utilisation prévue

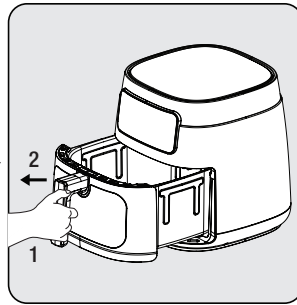
- L'appareil est destiné à un usage domestique uniquement, et il n'est pas adapté à un usage professionnel.
- Lorsque vous utilisez l'appareil pour la première fois, il peut y avoir une légère émission de fumée. C'est normal.

3.1 Préparation de l'appareil pour son utilisation

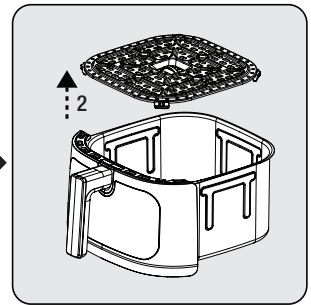
- Utilisez l'appareil en position verticale (sur une surface stable, de niveau, propre et non inclinée).



Avant d'utiliser l'appareil pour la première fois, retirez les matériaux d'emballage et placez l'appareil dans un endroit plat et propre.



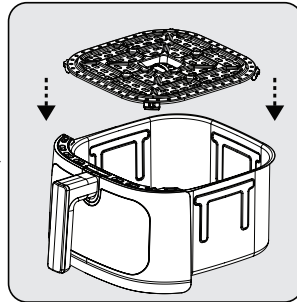
Saisissez fermement la poignée (4) pour libérer le panier de cuisson amovible (3) ; puis, sortez le tiroir de son boîtier.



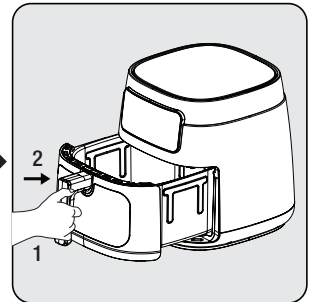
Placez le tiroir sur une surface plane pour détacher la grille de cuisson (2) du tiroir. Retirez la grille de cuisson (2) en la soulevant du tiroir.



Nettoyez la grille de cuisson (2) et le panier de cuisson amovible (3) avec de l'eau chaude savonneuse, puis séchez la surface extérieure de l'appareil et les pièces que vous avez soigneusement lavées.



Il y a 2 encoches de chaque côté de la poignée. Placez le panier dans son emplacement en alignant les languettes dans les encoches situées sur le dessus du tiroir du panier.

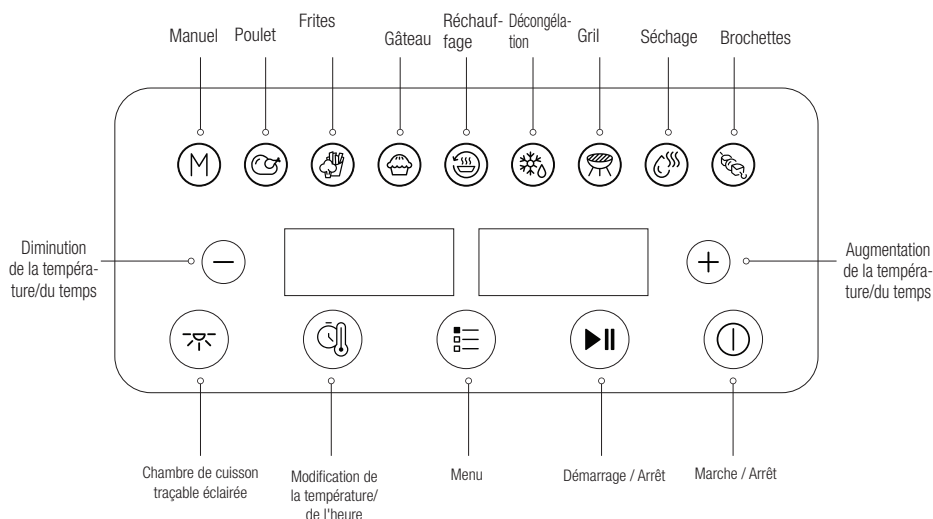


Fixez le tiroir à l'appareil après avoir nettoyé toutes les pièces. L'appareil est prêt à être utilisé.



- Pour la première utilisation, réglez le produit à la température la plus élevée et faites-le fonctionner pendant environ 10 minutes sans ajouter d'aliments.
- N'utilisez jamais le tiroir à paniers (6) sans la grille de cuisson amovible (2).

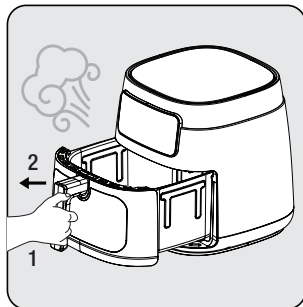
3.2 Panneau de commande et affichage à LED :



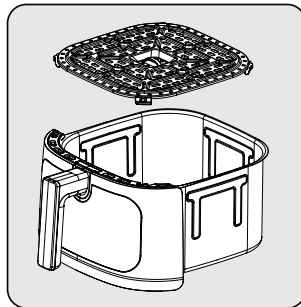
- Appuyez sur le symbole "Menu" jusqu'à ce que vous trouviez le programme souhaité pour sélectionner un programme. Lorsque le programme souhaité est trouvé, le voyant du programme clignote, appuyez sur le symbole "Start" pour lancer le programme.
- Lorsque « **Fin** » apparaît à l'écran, le processus de cuisson est terminé et vous devez retirer le panier de cuisson.
- L'affichage s'éteint lorsque le panier de cuisson est retiré de l'appareil. L'appareil se remet en marche lorsque le panier de cuisson est remis en place.

3 Utilisation

3.3 Avertissements avant la première utilisation



Lorsque le panier de cuisson amovible (3) est retiré pendant que l'appareil fonctionne, de la vapeur chaude émane de la sortie d'air et du haut du panier. Par conséquent, faites attention à ne pas vous brûler avec la vapeur à haute température.



Lorsque vous utilisez la grille de cuisson (2) et le tiroir à panier (3) à des températures plus élevées, veillez à ne pas entrer en contact direct avec eux.

3.4 Fonctionnement

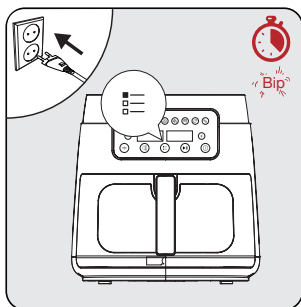
3.4.1 Sélection et démarrage d'un programme



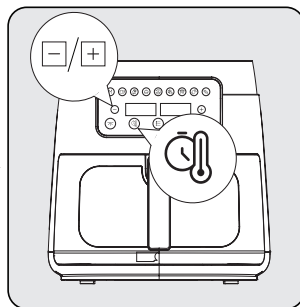
L'écran affiche les températures et les temps réglés automatiquement en fonction des fonctions de cuisson sélectionnées. Vous pouvez modifier ces températures et ces durées à votre guise.



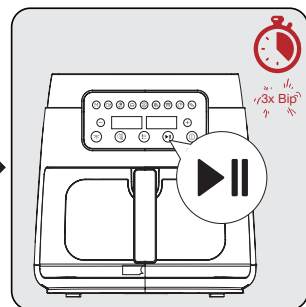
Appuyez sur le symbole d'arrêt si vous souhaitez passer à un autre programme après le démarrage de l'appareil. Ensuite, appuyez sur « Menu [☰] » pour sélectionner le programme souhaité.



Branchez le produit et appuyez une fois sur le symbole marche/arrêt. L'intégralité de l'affichage de la sélection s'affiche. Appuyez sur le symbole « Menu [☰] » jusqu'à atteindre la fonction que vous souhaitez sélectionner.



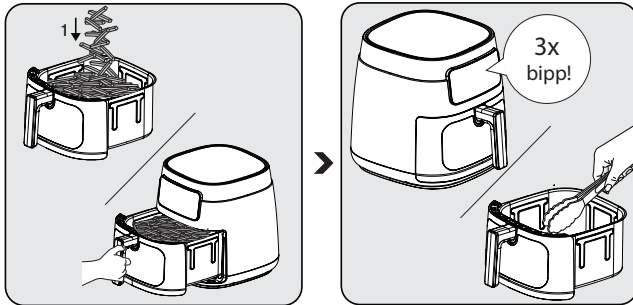
Appuyez sur le symbole de changement de « Température/heure [☺] ». La température clignote à l'écran. Remplacez par les symboles de température [+] ou [-]. Lorsque vous appuyez de nouveau sur le symbole « Température / Heure [☺] » l'heure clignote à l'écran. Réglez le temps de cuisson avec les symboles [+] ou [-].






Appuyez sur le symbole « Marche/Arrêt [▶||] » et démarrez l'appareil. Placez les aliments que vous voulez cuire dans le panier de cuisson du produit. Lorsque vous placez le panier de cuisson à sa place, l'heure que vous réglez sera visible sur l'écran, à l'exclusion du temps de préchauffage, et le décompte du temps commencera.

3 Utilisation

3.4.2 Réglage de la température et de l'heure



Appuyez sur le symbole  pour régler la température et l'heure. Ensuite, appuyez sur le symbole  pour régler la température et le temps nécessaires. Appuyez sur le symbole  pour démarrer.

Lorsque la moitié du temps de réglage du programme est atteinte, à ce stade, le tiroir du panier (3) peut être retiré et vous pouvez tourner les aliments avec un outil auxiliaire (pinces, etc.).



- La grille de cuisson est faite de silicone résistant aux hautes températures qui peut être utilisé pour la cuisson des aliments. Il empêche essentiellement les rayures sur la doublure du panier. Veillez donc à ce qu'il ne se détache pas pendant la cuisson.
- Faites attention à la vapeur chaude qui peut se dégager lorsque vous retirez le tiroir à panier (3) et ne le touchez pas à mains nues, car il est très chaud.
- Pour retirer les aliments cuits, utilisez un outil (pinces, etc.) qui n'endommagera pas la surface intérieure de l'appareil.

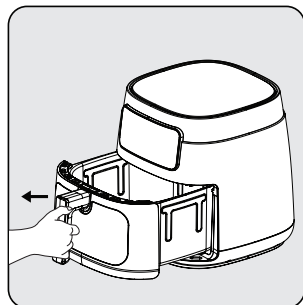
3 Utilisation

3.5 Cuisson

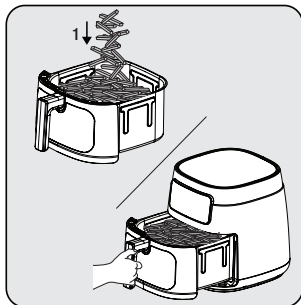
- Mélangez les aliments avec l'huile avant de les placer dans le panier de cuisson amovible (3).



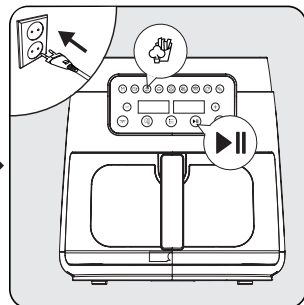
Veuillez ne pas tenir le tiroir du panier (3) et la grille de cuisson amovible (2) avec autre chose que la poignée lorsqu'ils sont chauds.



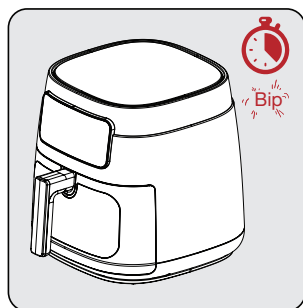
Saisissez fermement la poignée pour ouvrir le tiroir du panier (3), puis retirez le tiroir de la machine et placez-le sur une surface plane et propre.



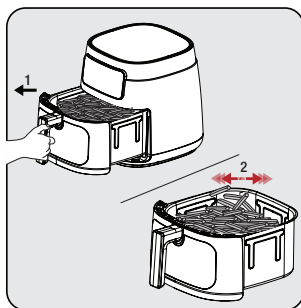
Placez les aliments dans le panier de cuisson (3). Fixez ensuite le panier à l'appareil et assurez-vous qu'il s'adapte parfaitement.



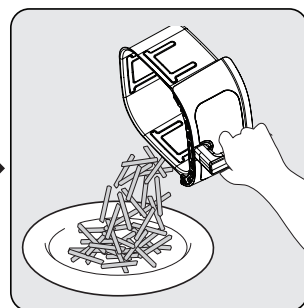
Branchez votre appareil et sélectionnez le programme de cuisson souhaité. Ensuite, commencez la cuisson.



Un son d'avertissement se fait entendre lorsque le temps programmé est écoulé et que votre appareil s'éteint automatiquement. Lorsque le programme de cuisson est terminé, une notification de « Fin » apparaît sur l'écran. Cette expression indique que le programme alimentaire est terminé.

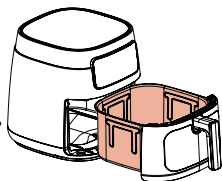


Sortez le panier de cuisson amovible (3) et vérifiez les aliments, qu'ils soient frits ou congelés ou non. Si un temps de cuisson supplémentaire est nécessaire, vous pouvez prolonger un peu plus le temps de cuisson.



Une fois le processus terminé, versez les ingrédients du panier dans un bol ou une assiette.

3 Utilisation



Évitez tout contact du panier de cuisson avec la surface extérieure de l'appareil, car la surface du panier de cuisson (5) sera chaude pendant et après la cuisson.



- Laisser reposer les aliments pendant 5 à 10 secondes avant de les retirer du panier de cuisson amovible (5).
- Utilisez des pinces pour sortir les aliments volumineux ou mous du panier afin de ne pas endommager la surface intérieure de l'appareil.
- Lorsqu'un lot d'aliments est prêt, l'appareil est instantanément prêt pour un autre lot.










Notez que le dispositif peut devenir très chaud pendant le processus de tournage.

4 Temps de cuisson

Le tableau suivant donne un aperçu des temps de cuisson de différents aliments. Le temps de cuisson varie en fonction de l'épaisseur et de la texture des aliments. Les durées et les quantités recommandées doivent être considérées comme approximatives.

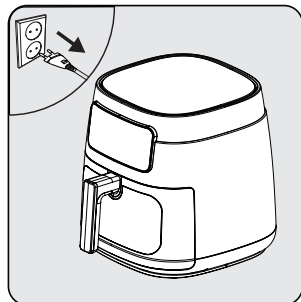
Pour obtenir de bons résultats, effectuez un processus de préchauffage jusqu'à ce que l'appareil atteigne la température recommandée indiquée dans le tableau avant le processus de cuisson.

PROGRAMME	ALIMENTATION	QUANTITÉ	SYMBOL	TEMPÉRATURE	HEURE (min.) INTERVALLE	MÉLANGE / SECOUAGE
DÉCONGÉLATION				80 °C	13 à 17 min.	2
FRITES	Pommes de terre congelées	500 g		200° C	15 à 20 min.	4
POULET	Cuisse de poulet	450 g		200° C	20 minutes	2
GRIL	Burger en rouleaux	500 g		190° C	15 min.	2
BROCHETTES	Brochettes de poulet	500 g		180 °C	15 à 20 min.	4
GÂTEAU	Muffins	6 mini moules à muffins		160 °C	20 minutes	X
SÉCHAGE				70 °C	60 à 140 min.	X

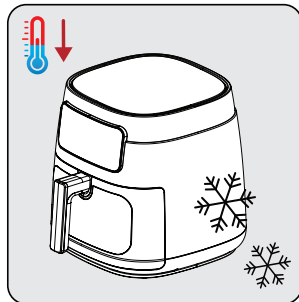
5 Nettoyage et entretien

5.1 Nettoyage

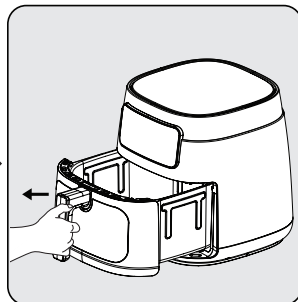
i N'utilisez jamais d'essence, de solvants, de nettoyeurs abrasifs, d'objets métalliques ou de brosses dures pour nettoyer l'appareil.



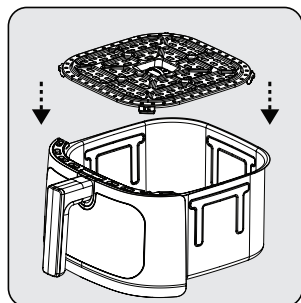
Éteignez l'appareil et débranchez-le de l'alimentation électrique.



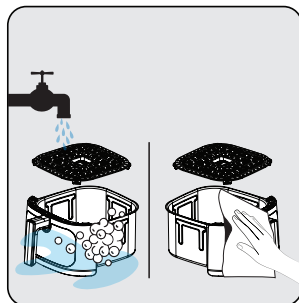
Laissez l'appareil refroidir complètement.



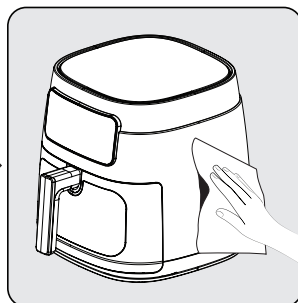
Retirez le panier de cuisson (3) du tiroir.



Retirez la grille de cuisson (2) du panier en saisissant sa poignée et en la tirant vers le haut.



Nettoyez le panier de cuisson (3) et la grille de cuisson (2) avec de l'eau chaude savonneuse puis séchez-les soigneusement.



Nettoyez l'extérieur de l'appareil avec un chiffon humide. Séchez complètement l'extérieur de l'appareil.

i Gardez toujours la base du panier de cuisson amovible (3) et la grille de cuisson (2) propres pour éviter l'accumulation de substances étrangères.

5 Nettoyage et entretien

5.2 Stockage

- Si vous n'avez pas l'intention d'utiliser l'appareil pendant une plus longue période, rangez-le soigneusement.
- Débranchez l'appareil et laissez-le refroidir avant de le ranger.
- Conservez l'appareil dans un endroit frais et sec.
- Gardez l'appareil et le câble d'alimentation hors de portée des enfants.

5.3 Transport et livraison

- Transportez l'appareil dans son emballage d'origine pendant la manutention et le transport. L'emballage le protège des dommages physiques.
- Ne posez pas d'objets lourds sur l'appareil ou son emballage. L'appareil peut être endommagé.
- Si l'appareil tombe, il peut s'arrêter de fonctionner ou subir des dommages permanents.

6 Dépannage

	Le problème	Cause	Solution
1	Appareil inopérant	Coupures de courant	Vérifiez l'alimentation électrique et assurez-vous qu'il y a du courant.
		Pas de courant ou mauvais contact sur la prise de courant	
		Inadéquation de la tension d'alimentation avec la tension nominale de l'appareil.	
2	Les aliments ne sont pas suffisamment cuits/brûlés	Le temps de cuisson n'est pas correct	Combinez les recettes et votre expérience personnelle pour ajuster la préparation et le temps.
3	Fumée lors de la première utilisation	Huile antirouille restant sur l'élément chauffant de l'appareil	Réglez la température au maximum et effectuez un préchauffage de 10 à 15 minutes pour éliminer l'huile antirouille sur la chaleur de l'appareil.
4	Odeur étrange	Corps étranger sur le panier de cuisson, le tiroir du panier et l'appareil de chauffage.	Retirez le corps étranger
5	E2	NTC court-circuité, pièces défectueuses	Envoyez-le à un service agréé pour réparation
6	E4	NTC court-circuité, pièces défectueuses	

Contactez notre service agréé pour une réparation, au cas où le problème ne peut être résolu après avoir effectué les contrôles susmentionnés.

Proszę najpierw przeczytać ten przewodnik!

Drogi kliencie,

Dziękujemy za wybór produktu Grundig. Chcemy, abyś osiągnął optymalną wydajność dzięki temu wysokiej jakości produktowi, który został wyprodukowany przy użyciu najnowocześniejszej technologii. Przed użyciem należy dokładnie przeczytać i zrozumieć ten przewodnik oraz dokumentację uzupełniającą oraz zachować go do wykorzystania w przyszłości. Dołącz ten przewodnik do urządzenia, jeśli przekazesz go komuś innemu. Przestrzegaj wszystkich ostrzeżeń i informacji zawartych w tym dokumencie i postępuj zgodnie z instrukcjami.

Należy pamiętać, że ta instrukcja obsługi może się odnosić do kilku modeli produktu. W instrukcji zostały wyraźnie określone różnice między modelami.

Symbole i ich znaczenie

Poniższe symbole są używane w tym przewodniku:



Ważne informacje i pomocne porady dotyczące korzystania z urządzenia.



OSTRZEŻENIE: Ostrzeżenia o niebezpiecznych sytuacjach związanych z bezpieczeństwem życia i mienia.



Produkt przeznaczony do kontaktu z żywnością.



Nie zanurzaj urządzenia, przewodu zasilającego ani wtyczki w wodzie ani w innych cieczach.



Ostrzeżenie dotyczące gorących powierzchni.



**PAPIER POCHODZĄCY Z RECYKLINGU
I NADAJĄCY SIĘ DO PONOWNEGO
RECYKLINGU**

1 Ważne instrukcje dotyczące bezpieczeństwa i ochrony środowiska

Ta sekcja zawiera instrukcje bezpieczeństwa, aby zapobiec zagrożeniom, które mogą spowodować obrażenia ciała lub uszkodzenie mienia.

Nieprzestrzeganie tych instrukcji unieważnia wszystkie gwarancje.

1.1 Ogólne zasady bezpieczeństwa

- Urządzenie jest zgodne z międzynarodowymi normami bezpieczeństwa.
- Urządzenie jest przeznaczone wyłącznie do użytku domowego i do przygotowywania posiłków, nie nadaje się do użytku profesjonalnego.
- Z tego urządzenia nie mogą korzystać dzieci w wieku od 0 do 8 lat. Z urządzenia mogą korzystać wyłącznie dzieci w wieku 8 lat i starsze, pod warunkiem, że są pod stałym nadzorem. Urządzenie może być używane przez osoby, które mają ograniczone zdolności fizyczne, słuchowe lub umysłowe, lub nie mają doświadczenia i wiedzy, jeśli są nadzorowane lub informowane o bezpiecznym użytkowaniu i napotkanych zagrożeniach.
- Ten produkt nie jest przeznaczony do użytku komercyjnego, jest przeznaczony do użytku domowego i do następujących zastosowań:
 - w kuchniach pracowników sklepów, biur i innych środowisk pracy,
 - w gospodarstwach rolnych;
 - dla klientów w hotelach, motelach lub innych miejscach;
 - w hostelach i podobnych miejscach,
 - w miejsca noclegowych ze śniadaniem
- Dzieci pod nadzorem, aby nie bawiły się urządzeniem.
- Dzieci nie powinny zajmować się czyszczeniem i konserwacją, chyba że robią to pod nadzorem osoby dorosłej.
- Produkt i kabel produktu należy przechowywać w miejscu niedostępnym dla dzieci poniżej 8 lat.
- Uchwyty urządzeń kuchennych (jeśli są) należy ustawić bezpiecznie, tak aby nie przyskały na nie gorące płyny.
- Należy upewnić się, że napięcie podane na urządzeniu jest takie

1 Ważne instrukcje dotyczące bezpieczeństwa i ochrony środowiska

samo jak napięcie sieciowe w domu.

- Używaj urządzenia z wtyczką ziemną.
- Nie używaj przedłużaczy.
- Nie stawiaj urządzenia na źródłach ciepła, takich jak piekarniki i piece, ani w ich pobliżu.
- Aby zapobiec uszkodzeniu przewodu zasilającego, nie należy go przyciskać, zaciskać ani ocierać o ostre krawędzie.
- Nie wyciągaj wtyczki z gniazdka ciągnąc za przewód.
- Podczas czyszczenia nie wolno zanurzać urządzenia ani przewodu zasilającego w wodzie.
- Nie pozostawiaj urządzenia bez nadzoru, gdy jest podłączone.
- Nie demontuj urządzenia.
- Należy stosować wyłącznie oryginalne lub zalecane przez producenta części zamienne.
- Urządzenie należy odłączyć od zasilania przed czyszczeniem i dokładnie wysuszyć wszystkie części po czyszczeniu.
- Urządzenie należy wyczyścić zgodnie z instrukcjami w rozdziale Czyszczenie i konserwacja.
- Do urządzenia nie należy wkładać dużych kawałków jedzenia, ponieważ może to spowodować pożar.
- Nie dotykaj wtyczki urządzenia mokrymi lub wilgotnymi rękami.
- Nie używaj urządzenia w wilgotnym pomieszczeniu.
- Nie przenoś urządzenia, gdy jest w użyciu, a olej w środku jest gorący.
- Nie używaj urządzenia w otoczeniu lub w pobliżu materiałów wybuchowych lub łatwopalnych.
- Aby uniknąć ryzyka poparzenia, nie dotykaj gorących powierzchni.
- Urządzenie powinno ostygnąć w bezpiecznym miejscu niedostępnym dla dzieci.
- Nie należy blokować otworów wlotowych i wylotowych powietrza podczas pracy urządzenia.
- Nie należy pochylać się nad urządzeniem, jest w użyciu. Gorące powietrze unosi się z urządzenia podczas użytkowania!
- Urządzenie nagrzewa się podczas użytkowania. Aby uniknąć ryzyka poparzenia, nie dotykaj gorących powierzchni.
- Należy upewnić się, że pomieszczenie jest odpowiednio wentylowane podczas użytkowania.
- W przypadku pożaru odłącz urząd-

1 Ważne instrukcje dotyczące bezpieczeństwa i ochrony środowiska

zenie od sieci.

- Nie należy nalewać wody do urządzenia, ponieważ może to spowodować porażenie prądem.
- Nie należy używać urządzenia z zewnętrznym zegarem lub oddzielnym systemem zdalnego sterowania.
- Do urządzenia należy używać wyłącznie metalowych naczyń kuchennych z uchwytyami.
- Nie należy kłaść niczego na pracującym lub gorącym urządzeniu.
- Wyłącz przycisk wskaźnika, aby wyłączyć urządzenie. Następnie odłącz urządzenie od sieci.
- Opakowanie urządzenia należy przechowywać poza zasięgiem dzieci.
- Jeśli przewód zasilający jest uszkodzony, musi zostać wymieniony przez producenta, jego przedstawiciela serwisowego lub podobnie wykwalifikowane osoby, aby uniknąć potencjalnych zagrożeń.

1.1 Zgodność z dyrektywą WEEE i utylizacja odpadowego produktu:

Wyrób ten jest zgodny z dyrektywą WEEE Unii Europejskiej (2012/19/UE). Wyrób ten jest oznaczony symbolem klasyfikacyjnym dla zużytego sprzętu elektrycznego i elektronicznego (WEEE).



Ten symbol oznacza, że sprzęt nie może być umieszczany łącznie z innymi odpadami gospodarstwa domowego po okresie jego użytkowania. Zużyte urządzenie należy oddać do specjalnego punktu zbiórki zużytego sprzętu elektrycznego i elektronicznego w celu utylizacji. Aby uzyskać informacje o punktach zbiórki w swojej okolicy należy skontaktować się z lokalnymi władzami lub punktem sprzedaży tego produktu. Gospodarstwo domowe spełnia ważną rolę w przyczynianiu się do ponownego użycia i odzysku zużytego sprzętu. Odpowiednie postępowanie ze zużytym sprzętem zapobiega potencjalnym negatywnym konsekwencjom dla środowiska naturalnego i ludzkiego zdrowia.

1.2 Zgodność z dyrektywą RoHS

Zakupione urządzenie jest zgodne z dyrektywą EU RoHS (2011/65/EU). Nie zawiera szkodliwych i zakazanych materiałów, podanych w tej dyrektywie.

1.3 Informacje o opakowaniu

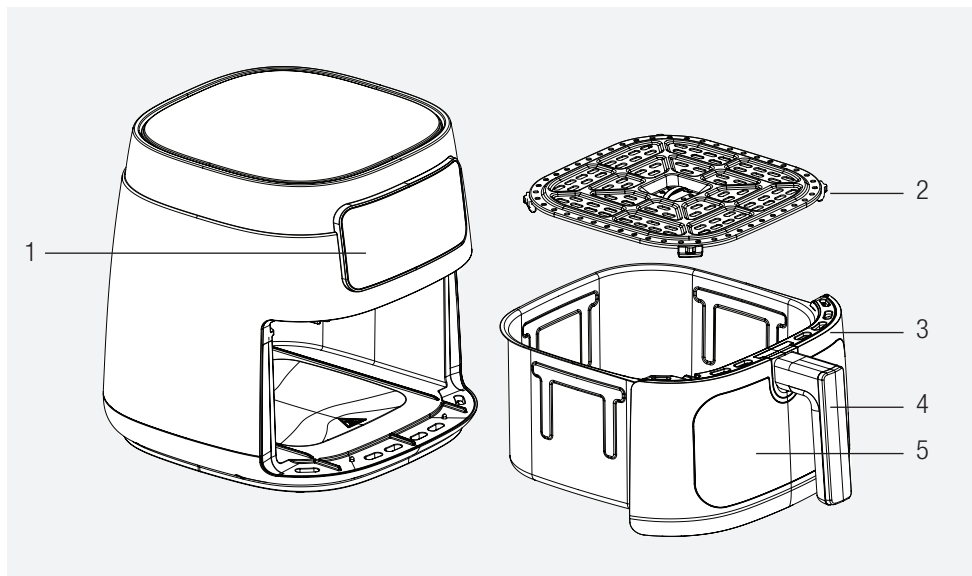


Opakowanie urządzenia zostało wytworzone z materiałów nadających się do recyklingu zgodnie z naszymi krajowymi przepisami dotyczącymi ochrony środowiska. Nie wyrzucaj opakowania razem z odpadami domowymi lub innymi odpadami. Należy je dostarczyć do punktów odbioru materiałów opakowaniowych wyznaczonych przez władze lokalne.

1.4 Ważne punkty dotyczące oszczędzania energii

Podczas użytkowania urządzenia należy przestrzegać czasów zalecanych przez tę instrukcję. Po użyciu odłącz urządzenie od zasilania.

2 Kuchenka do smażenia z mniejszą ilością oleju



1. Cyfrowy panel sterowania
2. Ruszt do gotowania
3. Wyjmowany koszyk
4. Uchwyt
5. Podświetlana komora gotowania z możliwością śledzenia postępów

Dane techniczne

Źródło zasilania	220-240V~, 50-60Hz
Zużycie energii	1750 W

Znaki na urządzeniu i wartości określone przez dokumenty dostarczone wraz z produktem zostały uzyskane w warunkach laboratoryjnych zgodnie z normami pokrewnymi. Wartości mogą się różnić w zależności od sposobu użytkowania urządzenia i warunków otoczenia. Wartości mocy zostały przetestowane w napięciu 230 V.

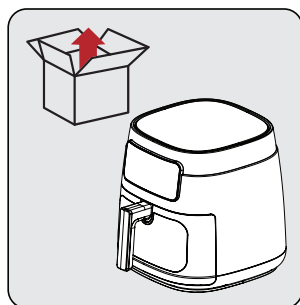
3 Zastosowanie

3 Przeznaczenie

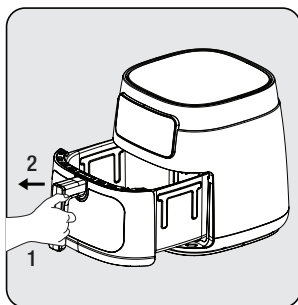
- Urządzenie jest przeznaczone wyłącznie do użytku domowego i nie nadaje się do użytku profesjonalnego.
- Podczas pierwszego użycia urządzenia może wystąpić niewielka emisja dymu. To normalne.

3.1 Przygotowanie urządzenia do użycia

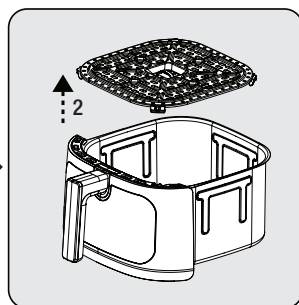
- Urządzenia należy używać w pozycji pionowej na stabilnej, równej, czystej, suchej i antypoślizgowej powierzchni.



Przed pierwszym użyciem urządzenia należy usunąć opakowanie i umieścić je w płaskim i czystym miejscu.



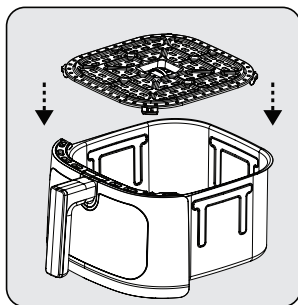
Mocno chwycić za uchwyt (4), aby zwolnić wymiowany kosz (3); następnie wyjąć szufladę z obudowy.



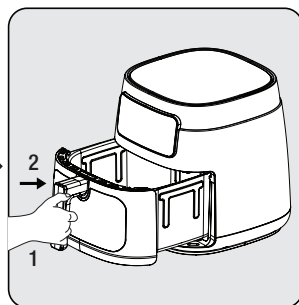
Umieścić szufladę na płaskiej powierzchni, aby odłączyć ruszt do gotowania (2) od szuflady. Wyjmij ruszt do gotowania (2), podnosząc go z szuflady.



Wyczyścić ruszt do gotowania (2) i wymiowany kosz do gotowania (3) ciepłą wodą z mydłem, a następnie dokładnie osuszyć zewnętrzną powierzchnię urządzenia i umyte części.



Po obu stronach uchwytu znajdują się 2 wycięcia. Koszyk należy umieścić w szufladzie, wsuwając wypustki w wycięcia w górnej części szuflady.

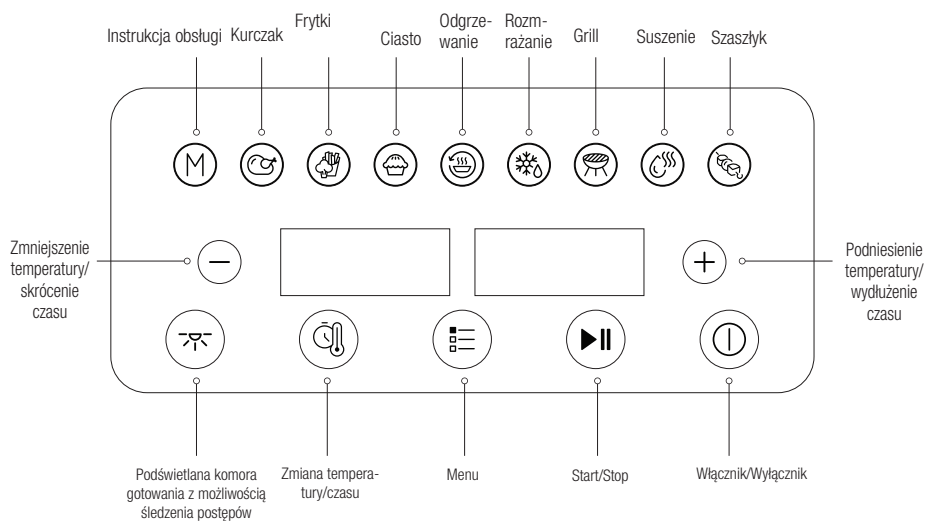


Szufladę należy zamontować do urządzenia po wyczyszczeniu wszystkich części. Urządzenie jest gotowe do użycia.



- Przy pierwszym użyciu należy ustawić produkt na najwyższą temperaturę i uruchomić go na około 10 minut bez żywności.
- Nigdy nie używaj szuflady z koszem (6) bez wymiwanego rusztu do gotowania (2).

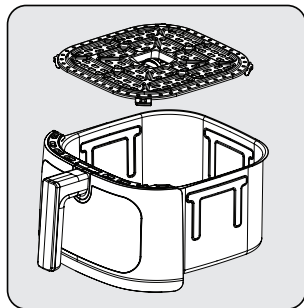
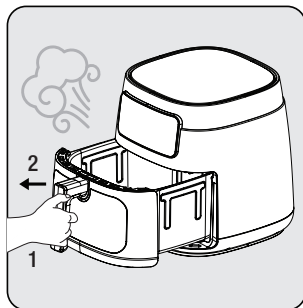
3.2 Panel sterowania i wyświetlacz LED:



- Naciskaj symbol „Menu [☰]” aż do znalezieniażądanego programu. Po znalezieniużądanego programu, kontrolka programu będzie migać, naciśnij symbol „Start [▶||]”, aby uruchomić program.
- Gdy na wyświetlaczu pojawi się komunikat **„Koniec”**, proces gotowania jest zakończony i należy wyjąć kosz do gotowania.
- Wyświetlacz wyłączy się, gdy koszyk zostanie wyjęty z urządzenia. Urządzenie wznowi pracę po ponownym włożeniu koszyka.

3 Zastosowanie

3.3 Ostrzeżenia przed pierwszym użyciem



Gdy wyjmowany kosz do gotowania (3) zostanie odciągnięty do tyłu podczas pracy urządzenia, z wylotu powietrza i górnej części kosza będzie wydobywać się gorąca para. Dlatego należy uważać, aby nie poparzyć się parą o wysokiej temperaturze.

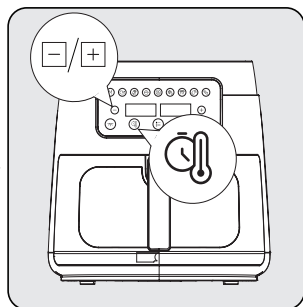
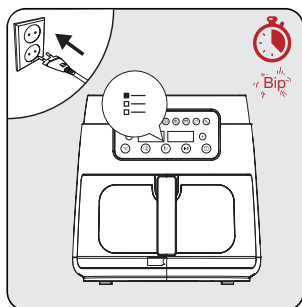
Podczas korzystania z ruszku do gotowania (2) i koszyka (3) w wyższych temperaturach należy uważać, aby ich nie dotknąć.

3.4 Obsługa

3.4.1 Wybór i uruchomienie programu

i Na wyświetlaczu pojawiają się automatycznie ustawione temperatury i czasy zgodnie z wybranymi funkcjami pieczenia. Można dowolnie zmieniać te temperatury i czasy.

! Naciśnij symbol wyłączenia, jeśli chcesz przełączyć się na inny program po uruchomieniu produktu. Następnie naciśnij „Menu [☰]”, aby wybrać żądany program.



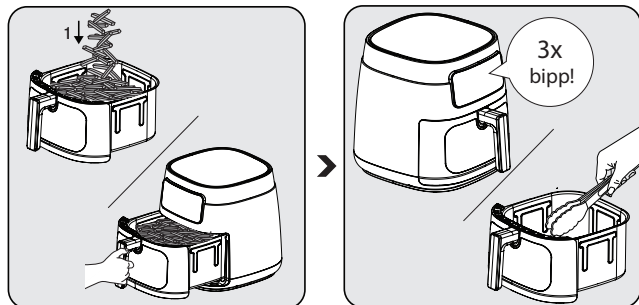
Podłącz produkt i naciśnij raz symbol włączania/wyłączenia. Zostanie wyświetlony cały ekran wyboru. Naciskaj symbol „Menu [☰]”, aż dojdiesz do funkcji, którą chcesz wybrać.


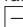
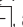

Naciśnij symbol zmiany „Temperatura/czas [⌚]”. Temperatura będzie migać na wyświetlaczu. Ustaw żądaną temperaturę, używając symboli [+] lub [-]. Po ponownym naciśnięciu symbolu „Temperatura/Czas [⌚]” na wyświetlaczu zacznie migać godzina. Ustaw czas gotowania za pomocą symboli [+] lub [-].

Naciśnij symbol „Start/Stop [▶||]” i uruchom urządzenie. Umieść żywność, którą chcesz ugotować, w koszu urządzenia. Po umieszczeniu kosza do gotowania na swoim miejscu na wyświetlaczu pojawi się ustawiony czas, z wyłączeniem czasu nagrzewania wspólnego, a czas zacznie odliczać.

3 Zastosowanie

3.4.2 Ustawienie temperatury i czasu



Naciśnij symbol , aby ustawić temperaturę i czas. Następnie naciśnij symbol  , aby ustawić potrzebną temperaturę i czas. Naciśnij symbol , aby rozpocząć.

Gdy zostanie osiągnięta połowa ustawionego czasu programu, w tym momencie można wyjąć kosza (3) i przewrócić potrawę za pomocą narzędzia pomocniczego (szczypec itp.).



- Ruszt do gotowania jest wykonany z odpornego na wysokie temperatury materiału silikonowego, który może być używany do gotowania żywności. Zasadniczo zapobiega to zarysowaniu powłoki kosza. Dlatego należy zadbać o to, aby nie odkleiła się podczas pieczenia.
- Należy uważać na gorącą parę, która może wydostać się podczas wyciągania szuflady koszyka (3) i nie dotykać go gołymi rękami, ponieważ jest bardzo gorący.
- Podczas usuwania upieczonych potraw należy używać narzędzia (szczypec itp.), które nie uszkodzi wewnętrznej powierzchni urządzenia.

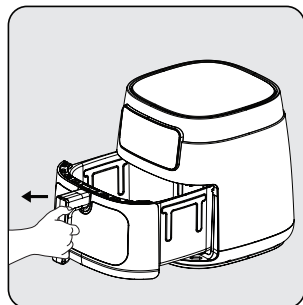
3 Zastosowanie

3.5 Czas

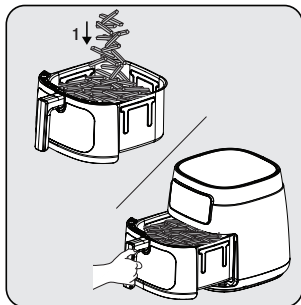
- Zmieszaj jedzenie z olejem przed umieszczeniem go w wymiowanym koszyku (3).



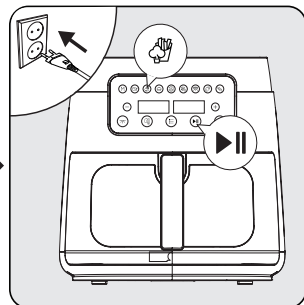
Nie chwytaj szuflady na koszyk (3) i wymiwanego ruszta do gotowania (2) za nic innego niż uchwyt, gdy są gorące.



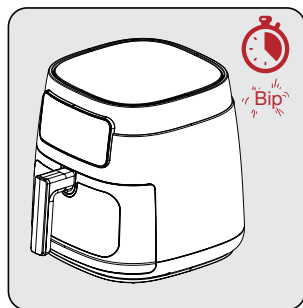
Chwyć mocno uchwyt, aby otworzyć szufladę z koszem (3); następnie wyjmij szufladę z urządzenia i umieść ją na płaskiej, czystej powierzchni.



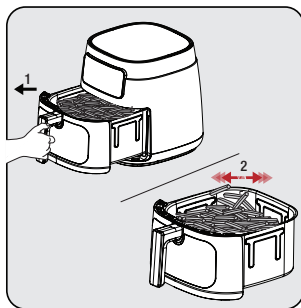
Umieść żywność w koszu do gotowania (3). Koszyk należy przymocować do urządzenia i upewnić się, że jest całkowicie dopasowany.



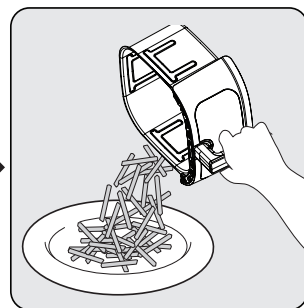
Podłącz urządzenie do prądu i wybierz żądany program gotowania. Następnie rozpocznij proces gotowania.



Gdy upłynie ustawiony czas, rozlegnie się dźwięk ostrzegawczy i urządzenie wyłączy się automatycznie. Po zakończeniu programu gotowania na wyświetlaczu pojawi się komunikat „Koniec”. Wskazuje to na zakończenie programu gotowania.

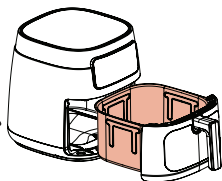


Wyjmij koszyk (3) i sprawdź, czy jedzenie jest usmażone lub zamrożone, czy nie. Jeśli jedzenie wymaga dodatkowego czasu gotowania, można nieco wydłużyć.



Po zakończeniu procesu składniki należy wyjąć z koszyka do miski lub na talerz.

3 Zastosowanie



Unikaj kontaktu koszyka z zewnętrzną powierzchnią urządzenia, ponieważ powierzchnia koszyka (5) będzie gorąca podczas gotowania i po jego zakończeniu.



- Przed wyjęciem produktów z wyjmowanego kosza do gotowania (5) należy odczekać 5-10 sekund.
- Do wyjmowania z koszyka dużych lub miękkich potraw należy używać szczypiec i uważać aby nie spowodować uszkodzeń wewnętrznej powierzchni urządzenia.
- Gdy jedna partia jest gotowa, urządzenie jest natychmiast gotowe na kolejną partię.










Należy pamiętać, że podczas procesu pieczenia urządzenie może się bardzo nagrzać.

4 Czas gotowania

Poniższa tabela zawiera przegląd czasów pieczenia dla różnych potraw. Czas gotowania różni się w zależności od zawiesistości i gęstości potraw. Zalecane czasy i ilości należy traktować jako przybliżone.

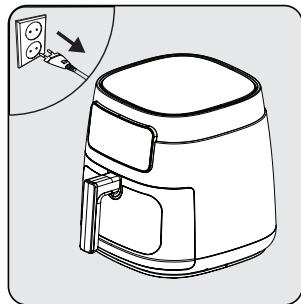
W celu uzyskania dobrych rezultatów należy przeprowadzić proces wstępnego nagrzewania, aż urządzenie osiągnie zalecaną temperaturę podaną w tabeli przed rozpoczęciem gotowania.

PROGRAM	POTRAWA	ILOŚĆ	SYMBOL	TEMPERATURA	CZAS (min.) INTERWAŁ	MIESZANIE/ WSTRZĄS- NIE
ROZMRAŻANIE				80 °C	13-17 min.	2
FRYTKI	Mrożony ziemniak	500 g		200°C	15-20 min.	4
KURCZAK	Udło kurczaka	450 g		200°C	20 minut	2
GRILL	Burger w bułce	500 g		190°C	15 min.	2
SZASZŁYK	Szaszłyk z kurczaka	500 g		180°C	15-20 min.	4
CIASTO	Muffinka	6 mini muffinek		160°C	20 minut	X
SUSZENIE				70°C	60-140 min.	X

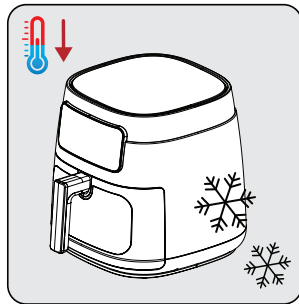
5 Czyszczenie i konserwacja

5.1 Czyszczenie

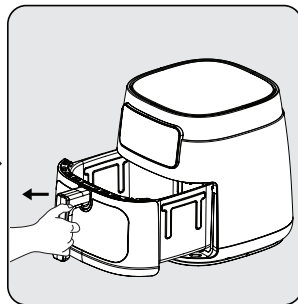
i Do czyszczenia urządzenia nigdy nie używaj benzyny, rozpuszczalników, ściernych środków czyszczących, metalowych przedmiotów ani twardych szczotek.



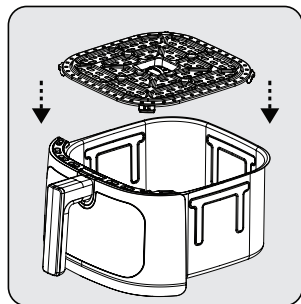
Wyłącz urządzenie i odłącz je od zasilania.



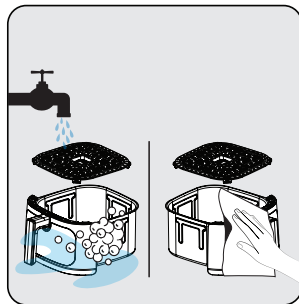
Pozostaw urządzenie do całkowitego ostygnięcia.



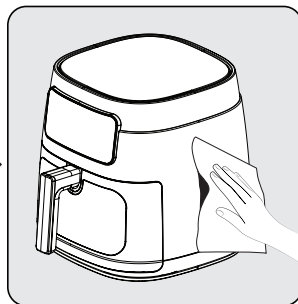
Wymij kosz do gotowania (3) z szuflady.



Wymij ruszt do gotowania (2) z kosza, chwytając go za uchwyt i pociągając do góry.



Wyczyść kosz (3) i ruszt (2) ciepłą wodą z mydłem, a następnie dokładnie je wysusz.



Wyczyść zewnętrzną stronę urządzenia wilgotną szmatką. Dokładnie wysusz obudowę urządzenia.

i Dno wymywanego kosza do gotowania (3) i ruszt do gotowania (2) należy zawsze utrzymywać w czystości, aby zapobiec gromadzeniu się ciał obcych.

5.2 Przechowywanie

- Jeśli nie zamierzasz używać urządzenia przez dłuższy czas, przechowuj je starannie.
- Odłącz urządzenie i pozwól mu ostygnąć przed odstawieniem.
- Urządzenie należy przechowywać w chłodnym i suchym miejscu.
- Urządzenie i kabel należy przechowywać w miejscu niedostępnym dla dzieci.

5.3 Transport i wysyłka

- Podczas przenoszenia i transportu urządzenie należy przewozić w oryginalnym opakowaniu. Opakowanie chroni urządzenie przed uszkodzeniami fizycznymi.
- Nie należy umieszczać ciężkich przedmiotów na urządzeniu lub jego opakowaniu. Może to spowodować uszkodzenie urządzenia.
- W przypadku upuszczenia urządzenia może ono przestać działać lub może dojść do trwałego uszkodzenia.

6 Rozwiązywanie problemów

	Problem	Przyczyna	Rozwiązanie
1	Urządzenie nie działa	Przerwy w dostawie prądu	Sprawdź zasilacz i upewnij się, że jest zasilanie
		Brak zasilania lub słaby kontakt w gniazdku sieciowym	
		Niedopasowanie napięcia zasilania do napięcia znamionowego urządzenia	
2	Potrawy są niedostatecznie upieczone/spalone	Czas pieczenia nie jest prawidłowy	Połącz przepisy i swoje osobiste doświadczenia, aby dostosować przygotowanie i czas
3	Dym podczas pierwszego użycia	Olej zapobiegający rdzewieniu pozostały na grzałce urządzenia	Ustaw temperaturę na maksimum i wykonaj wstępne nagrzewanie przez 10-15 minut, aby usunąć olej zapobiegający rdzewieniu na grzałce
4	Dziwny zapach	Ciało obce w koszyku, szufladzie koszyka i na grzałce	Usuń obcy przedmiot
5	E2	Zwarcie NTC, uszkodzone części	Wyślij do serwisu w celu naprawy
6	E4	Zwarcie NTC, uszkodzone części	

Skontaktuj się z naszym autoryzowanym serwisem w celu dokonania naprawy, w przypadku, gdy problem nie może być rozwiązany po wykonaniu wyżej wymienionej czynności.

Drodzy Klienci,

Dziękujemy za zakup naszych produktów. Jesteśmy przekonani, że nasze urządzenia będą służyć przez lata. Każdy produkt firmy Beko jest objęty 2-letnim okresem gwarancji.

Warunki gwarancji Beko S.A. (małe urządzenia AGD)

BEKO spółka akcyjna z siedzibą w Warszawie (02-819), przy ulicy Puławskiej 366, wpisana do rejestru przedsiębiorców prowadzonego przez Sąd Rejonowy dla m.st. Warszawy w Warszawie, XIII Wydział Gospodarczy Krajowego Rejestru Sądowego, pod numerem: 0000078147 (dalej: „BEKO”) udziela gwarancji jakości (dalej: „Gwarancja”) na wprowadzone przez BEKO do obrotu na terenie Polski produkty marki BEKO (dalej: „Urządzenia”) osobom, które nabyły te produkty („Użytkownik”) na następujących warunkach:

I. ZAKRES OCHRONY.

BEKO gwarantuje, że Urządzenie zakupione przez Użytkownika jest wolne od wad produkcyjnych lub materiałowych, powstałych z przyczyn tkwiących w tym Urządzeniu (dalej: „Wada”), które ujawnią się w ciągu terminu określonego w części II. niniejszych Warunków Gwarancji (dalej: „Okres Gwarancyjny”).

W razie ujawnienia się Wady Produktu w trakcie Okresu Gwarancyjnego, zostanie ona usunięta na koszt BEKO w sposób uzależniony od właściwości wady, na zasadach i w zakresie określonym w niniejszych Warunkach Gwarancji.

BEKO zobowiązuje się do usunięcia Wady poprzez dokonanie nieodpłatnej naprawy lub wymiany Urządzenia, bądź też reklamacja zgłoszona na podstawie niniejszych Warunków Gwarancji zostanie rozpatrzona w inny sposób uzgodniony przez BEKO i Użytkownika.

Udzielona gwarancja jest ważna na terytorium Rzeczypospolitej Polskiej.

II. CZAS TRWANIA GWARANCJI.

Okres Gwarancyjny wynosi 24 miesiące licząc od daty zakupu Urządzenia przez pierwszego Użytkownika.

III. PROCEDURA ZGŁOSZENIA REKLAMACYJNEGO.

Wady Urządzenia ujawnione w Okresie Gwarancyjnym będą usuwane pod warunkiem przedstawienia przez Użytkownika dowodu zakupu tego Urządzenia zawierającego oznaczenia niezbędne do jego identyfikacji (model, datę zakupu).

Uprawnienia wynikające z niniejszych Warunków Gwarancji mogą być zrealizowane przez Użytkownika wyłącznie w Autoryzowanych Punktach Serwisowych BEKO (dalej: „Serwis”) po uprzednim dokonaniu zgłoszenia na Infolinii BEKO pod numerem telefonu: 22 250 14 14. Urządzenie powinno być odpowiednio zapakowane i zabezpieczone przez Użytkownika na czas transportu do punktu serwisowego Beko.

Wady Urządzenia będą usunięte w terminie 14 dni od daty zgłoszenia Wady na Infolinii BEKO.

Jeżeli część zamienna wymieniana w ramach uprawnień wynikających z niniejszych Warunków Gwarancji Urządzenia jest sprowadzana z zagranicy, termin naprawy, o którym mowa w punkcie 5 powyżej, może ulec wydłużeniu jednak, nie więcej niż do 30 dni licząc odpowiednio od daty zgłoszenia Wady na Infolinii BEKO. Informacje o spodziewanych terminach napraw dostępne są na Infolinii BEKO pod numerem 22 250 14 14. Po usunięciu Wady, Urządzenie zostanie dostarczone Użytkownikowi na koszt BEKO.

IV. WYŁĄCZENIA.

Warunkiem skorzystania z niniejszych Warunków Gwarancji jest:

- użytkowanie Urządzenia zgodnie z Instrukcją Obsługi dołączoną do tego Urządzenia i jego przeznaczeniem, jak również odpowiednie czyszczenie i konserwacje Urządzenia;
- użytkowanie w warunkach indywidualnego gospodarstwa domowego. Urządzenie nie jest używane do celów prowadzenia działalności gospodarczej lub w zastosowaniach eksploatacji masowej, w

szczegółności w gastronomicznej działalności hoteli, restauracji i innych obiektów turystyczno-rekreacyjnych lub zbiorowego żywienia. Stosowanie osprzętu zalecanego przez producenta; brak ingerencji w Urządzenie przez osoby do tego nieupoważnione; brak ingerencji w tabliczkę znamionową z numerem seryjnym Urządzenia.

Udzielona przez Beko Gwarancja nie obejmuje:

- wad powstałych z przyczyn innych niż tkwiące w Urządzeniu;
- normalnego zużycia elementów eksploatacyjnych tj. akumulatory, baterie, noże, filtry, żarówki, szczotki, itp.;
- czynności przewidzianych w Instrukcji Obsługi, do wykonania których zobowiązany jest Użytkownik Urządzenia we własnym zakresie i na swój koszt, w tym: instruktażu dotyczącego obsługi Urządzenia, instalacji oraz regulacji urządzenia.
- usterek powstałych w wyniku nieprawidłowego lub niewłaściwego użytkowania, niedbalstwa, przypadkowego uszkodzenia Urządzenia, nieodpowiedniego napięcia prądu lub dokonania jakichkolwiek zmian, które mają wpływ na niewłaściwe działanie Urządzenia, i które naprawiane były przez osoby nieupoważnione, używania instalacji niezgodnych z odpowiednimi Polskimi Normami i innych niż wymienione w Instrukcji Obsługi Urządzenia;
- uszkodzeń mechanicznych, termicznych, chemicznych, korozji, innych uszkodzeń spowodowanych działaniem lub zaniedbaniem Użytkownika lub powstałych na skutek działania sił zewnętrznych (do których zalicza się w szczególności wyładowania atmosferyczne, skoki napięcia, wszystkiego rodzaju awarie domowej instalacji wodno-kanalizacyjnej, itp.), a także powstałych na skutek przedostania się zanieczyszczeń lub ciał obcych do Urządzenia, zakamienienia (proces odkamieniania musi być przeprowadzany zgodnie z instrukcją obsługi z użyciem odpowiednich środków czyszczących) elementów ze szkła, plastiku oraz porcelany; odbarwień Urządzenia lub poszczególnych jego części;
- usterek powstałych na skutek przechowywania i użytkowania Urządzenia w warunkach, które są niezgodne z normalnymi warunkami domowymi określonymi wymaganiami powszechnie obowiązujących przepisów prawa i odpowiednich Polskich Norm;

V. POZOSTAŁE POSTANOWIENIA.

Niniejsze warunki gwarancji mają zastosowanie do Urządzeń zakupionych od dnia 01.03.2019 r. Gwarant oświadcza, że niniejsza Gwarancja jest udzielana Użytkownikowi dodatkowo i nie wyłącza, nie ogranicza ani nie zawiesza uprawnień Użytkownika wynikających z przepisów o rękojmi za wady rzeczy sprzedanej na podstawie Kodeksu cywilnego.

¡Por favor, lea esta guía primero!

Estimado cliente,

Gracias por elegir un producto Grundig. Nos gustaría que sacara el máximo provecho de este producto de alta calidad que ha sido fabricado con tecnología punta. Por favor, asegúrese de leer y entender completamente esta guía y la documentación complementaria antes de usarla y guárdela como referencia. Entregue esta guía junto al aparato si se entrega o vende a otra persona. Observe todas las advertencias e información aquí contenidas y siga las instrucciones.

Tenga en cuenta que esta guía del usuario se puede aplicar a varios modelos de aparato. La guía indica claramente las posibles variaciones de los diferentes modelos.

Símbolos y sus significados

Los siguientes símbolos se han utilizado a lo largo de esta guía:



Información importante y consejos útiles sobre el uso del aparato.



ADVERTENCIA: Advertencias sobre situaciones peligrosas relacionadas con la seguridad de la vida y la propiedad.



Suitable para el contacto con los alimentos.



No coloque el aparato, el cable de alimentación o el enchufe en agua corriente ni en otros líquidos.



Advertencia sobre superficies calientes.



RECICLADO Y
RECICLABLE
PAPEL

1 Instrucciones importantes para la seguridad y el medio ambiente

Esta sección contiene instrucciones de seguridad para evitar peligros que puedan provocar lesiones o daños materiales.

El incumplimiento de estas instrucciones anulará cualquier garantía.

1.1 Seguridad general

- Este aparato cumple con las normas de seguridad internacionales.
- Este aparato está diseñado exclusivamente para uso doméstico y para la preparación de alimentos, no es adecuado para uso profesional.
- Este aparato no se puede utilizar por niños de entre 0 y 8 años. El aparato puede ser utilizado únicamente por niños de 8 años o más, siempre que estén bajo supervisión constante. Las personas con capacidades físicas, auditivas o mentales limitadas, o con falta de experiencia y conocimientos, pueden utilizar este aparato si se les proporciona supervisión o información sobre el uso seguro y sobre los posibles peligros.
- Este producto no está diseñado para su uso comercial, sino para su uso en el hogar y en situaciones como las siguientes:
 - En las cocinas del personal de las tiendas, oficinas y otros entornos de trabajo,
 - En casas rurales,
 - Por los clientes en hoteles, moteles u otros alojamientos;
 - En albergues, o entornos similares.
 - Dormitorios y locales de desayuno
- La limpieza y el mantenimiento de los aparatos no deben ser efectuados por niños sin la supervisión de un adulto.
- Mantenga el producto y el cable del producto fuera del alcance de los niños menores de 8 años.
- Posicione los mangos de los aparatos de cocción (si existen) de forma que no se derramen los líquidos calientes y colóquelos de forma segura.
- Compruebe que la tensión indicada en el aparato es la misma que la tensión de la red eléctrica de su casa.
- Utilice el aparato en un enchufe con toma de tierra.

1 Instrucciones importantes para la seguridad y el medio ambiente

- No utilice este aparato con un cable alargador.
- No sitúe su aparato sobre o cerca de fuentes de calor tales como hornos y estufas.
- Para evitar que se dañe el cable de corriente, evite que se pellizque, raje o roce contra bordes afilados.
- No desenchufe el aparato tirando del cable.
- No sumerja el aparato ni su cable en agua.
- No deje el aparato sin supervisión mientras esté enchufado.
- No desmonte el aparato.
- Utilice únicamente las piezas originales o las recomendadas por el fabricante.
- Antes de limpiar el aparato, desenchúfelo y, después de la limpieza, seque completamente todas las piezas.
- Realice la limpieza del aparato conforme a las instrucciones de la sección de Limpieza y Mantenimiento.
- No introduzca trozos grandes de comida en el aparato, ya que podría provocar un incendio.
- No toque el enchufe del aparato con las manos húmedas o mojadas.
- No utilice el aparato en ambientes húmedos.
- No mueva el aparato mientras esté en uso y con aceite caliente en su interior.
- No utilice el aparato en o cerca de ambientes y sustancias explosivas o inflamables.
- No toque las superficies calientes para evitar el riesgo de quemaduras.
- Permita que el aparato se enfríe en un lugar seguro y fuera del alcance de los niños.
- Mientras el aparato funciona, no obstruya las aberturas de entrada y salida de aire.
- Cuando el aparato está en uso, no se incline sobre el mismo. Durante el uso sale aire caliente del aparato.
- El aparato se calienta durante el uso. No toque las superficies calientes para evitar el riesgo de quemaduras.
- Asegúrese la ventilación adecuada de la habitación durante su uso.

1 Instrucciones importantes para la seguridad y el medio ambiente

- En caso de incendio, desenchufe el aparato.
- No vierta agua sobre el aparato, puesto que esto podría provocar una descarga eléctrica.
- No utilice el aparato con un temporizador externo o un sistema de control remoto independiente.
- Utilice únicamente utensilios de cocina metálicos con asas aisladas con el aparato.
- No ponga nada sobre el aparato mientras esté en funcionamiento o caliente.
- Gire el botón indicador para desconectar. A continuación, desenchufe el aparato.
- Si guarda el material de embalaje, manténgalo fuera del alcance de los niños.
- Si el cable de alimentación está dañado, debe ser reemplazado por el fabricante o su agente de servicio o por una persona cualificada similar para evitar riesgos potenciales.

1.1 Cumplimiento de la Directiva WEEE y eliminación del producto

Este aparato cumple con la Directiva WEEE de la UE (2012/19/EU). Este producto tiene un símbolo de cla-

sificación para residuos de equipos eléctricos y electrónicos (WEEE).



Este símbolo indica que este producto no debe desecharse junto con otros desechos domésticos al final de su vida útil. El dispositivo usado debe devolverse a un punto de recolección oficial para el reciclaje de dispositivos eléctricos y electrónicos. Para encontrar estos sistemas de recogida, por favor, póngase en contacto con las autoridades locales o con el distribuidor donde se compró el producto. Cada hogar juega un papel importante en la recuperación y el reciclaje de los electrodomésticos viejos. La eliminación adecuada de los electrodomésticos usados ayuda a prevenir posibles consecuencias negativas para el medio ambiente y la salud humana.

1.2 Cumplimiento de la Directiva RoHS

El producto que ha adquirido es conforme con la Directiva RoHS de UE sobre la restricción de sustancias peligrosas (2011/65/EU). No contiene materiales nocivos y prohibidos especificados en la Directiva.

1.3 Información sobre el paquete

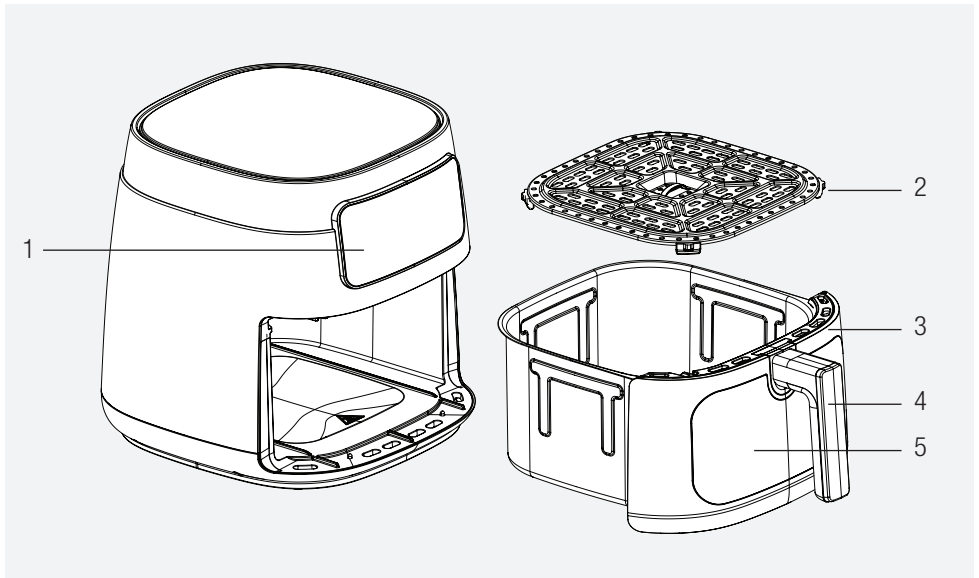


Los materiales de embalaje del producto se fabrican con materiales reciclables de acuerdo con nuestras Regulaciones Nacionales de Medio Ambiente. No se deshaga de los materiales de embalaje junto con los desechos domésticos o de otro tipo. Llévelos a los puntos de recolección de material de embalaje designados por las autoridades locales.

1.4 Puntos importantes para ahorrar energía

Al utilizar el aparato respete los tiempos recomendados por el manual. Desenchufe el aparato después de cada uso.

2 Cocina con Menos Aceite



1. Panel de Control Digital
2. Parrilla de cocción
3. Cesta de cocción extraíble
4. Mango
5. Cámara de cocción iluminada y visible

Datos técnicos

Fuente de Potencia	220-240V~, 50-60Hz
Consumo de energía	1750 W

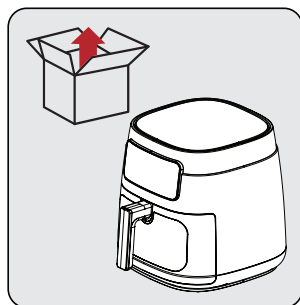
Los símbolos que aparecen en el aparato y los valores especificados en los documentos suministrados junto con el producto se han obtenido en condiciones de laboratorio conforme a las normas correspondientes. Los valores pueden variar en función del uso del aparato y de las condiciones ambientales. Los valores de potencia han sido probados en la tensión de 230 V.

3 Uso previsto

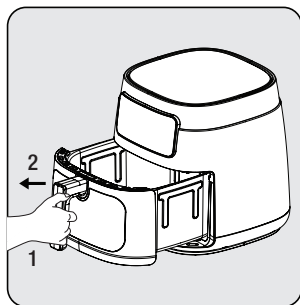
- Este aparato está diseñado exclusivamente para uso doméstico, no es adecuado para uso profesional.
- Al utilizar el aparato por primera vez, puede producir una ligera emisión de humo. Esto es normal.

3.1 Preparar el aparato para su uso

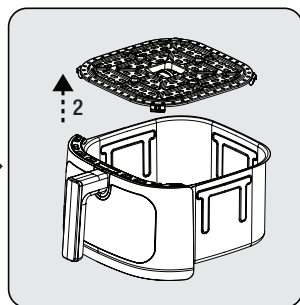
- Utilice el aparato en posición vertical sobre una superficie estable, plana, limpia, seca y antideslizante.



Antes de utilizar el aparato por primera vez, quite el material de embalaje y coloque el aparato en un lugar plano y limpio.



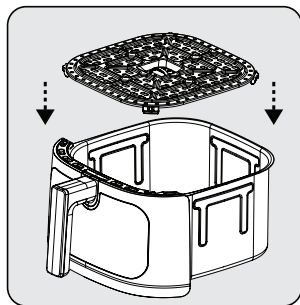
Para liberar la cesta de cocción extraíble (3), agarre firmemente el mango (4) y extraiga la cesta de su ranura.



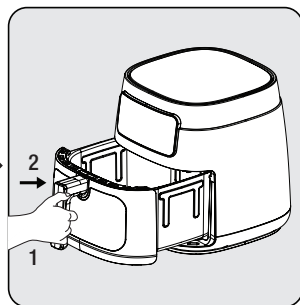
Ponga el cajón sobre una superficie plana para separar la rejilla de cocción (2) del cajón. Quite la rejilla de cocción (2) levantándola del cajón.



Limpie la rejilla de cocción (2) y la cesta de cocción extraíble (3) con agua jabonosa tibia y, a continuación, seque bien la superficie exterior del aparato y las piezas que haya lavado.



Hay 2 muescas a ambos lados del mango. Fije la cesta en su ranura alineando las lengüetas en las muescas de la parte superior del cajón de la cesta.

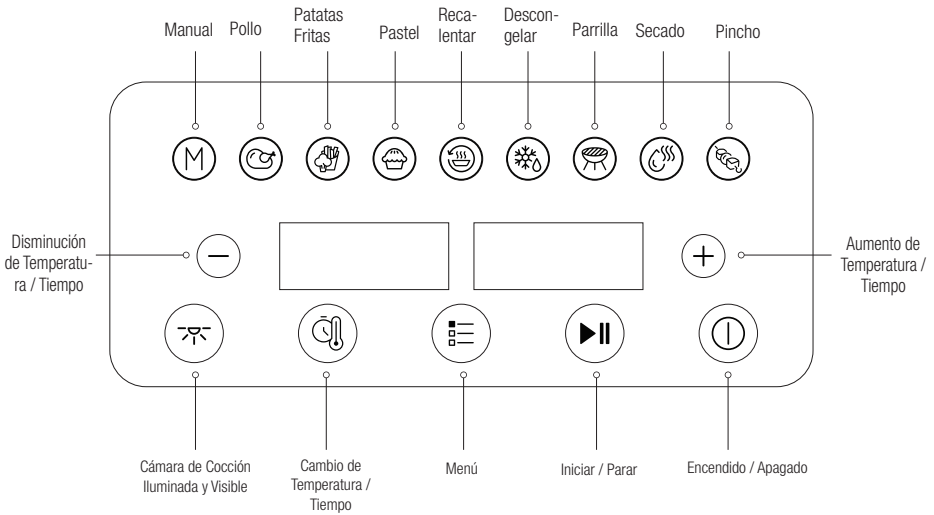


Una vez limpiadas todas las piezas, fije el cajón al aparato. El aparato está listo para ser utilizado.



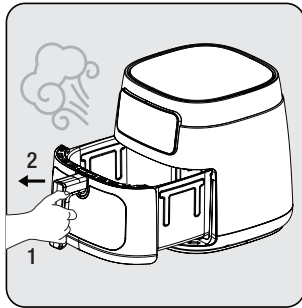
- Para su primer uso, coloque el producto a la temperatura más alta y hágalo funcionar durante unos 10 minutos sin añadir ningún alimento.
- Nunca utilice el cajón de la cesta (6) sin la parrilla de cocción extraíble (2).

3.2 Panel de control y pantalla LED:

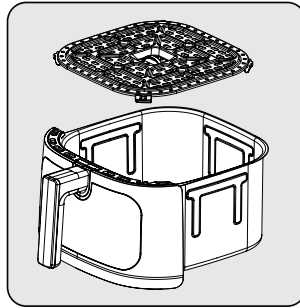


- Pulse el símbolo "Menú" hasta encontrar el programa deseado para seleccionar un programa. Una vez encontrado el programa deseado, la luz del programa parpadeará, pulse el símbolo "Iniciar ▶" para iniciar el programa.
- Cuando aparezca **"Fin"** en la pantalla, el proceso de cocción habrá finalizado y deberá retirar la cesta de cocción.
- Cuando la cesta de cocción se retira del aparato, la pantalla se apaga. Al colocar la cesta de cocción el aparato se reanuda.

3.3 Advertencias antes del primer uso



Cuando la cesta de cocción extraíble (3) se tira hacia atrás mientras el aparato está en funcionamiento, saldrá vapor caliente de la salida de aire y de la parte superior de la cesta. Por lo tanto, procure no quemarse con el vapor a alta temperatura.



Al utilizar parrilla de cocción (2) y el cajón de la cesta (3) a altas temperaturas, tenga cuidado de no entrar en contacto directo con ellos.


3.4 Operación

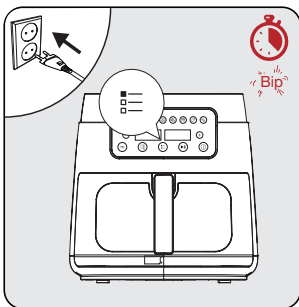
3.4.1 Seleccionar e iniciar un programa




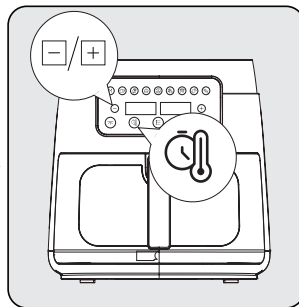
En la pantalla se muestran las temperaturas y tiempos ajustados automáticamente según las funciones de cocción seleccionadas. Es posible modificar estas temperaturas y tiempos según se desee.




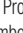




Pulse el símbolo de apagado si desea cambiar a otro programa después de encender el producto. A continuación, pulse "Menú " para seleccionar el programa deseado.

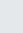


Enchufa el producto y pulsa una vez el símbolo de encendido/apagado. Aparecerá toda la pantalla de selección. Pulse el símbolo "Menú " hasta llegar a la función que desee seleccionar.

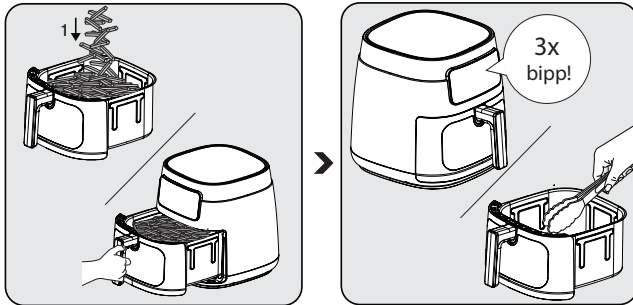





Pulse el símbolo de cambio de "Temperatura / Hora ". La temperatura parpadeará en la pantalla. Sustituya por la temperatura deseada utilizando los símbolos  o . Al pulsar de nuevo el símbolo "Temperatura / Hora " la hora parpadeará en la pantalla. Programe el tiempo de cocción con los símbolos  o .



Pulse el símbolo "Inicio/Parada " e inicie el dispositivo. Ponga los alimentos que desea cocinar en la cesta de cocción del producto. Al colocar la cesta de cocción en su sitio, en la pantalla aparecerá el tiempo que haya ajustado, excluyendo el tiempo de precalentamiento, y el tiempo empezará a contar.

3.4.2 Ajuste de temperatura y tiempo



Pulse el símbolo  para ajustar la temperatura y la hora. Luego, pulse el símbolo  para ajustar la temperatura necesaria y la hora. Pulse el símbolo  para iniciar.

Al llegar a la mitad del tiempo establecido del programa, en este momento, se puede retirar el cajón de la cesta (3), y se puede dar la vuelta a los alimentos con un utensilio auxiliar (pinzas, etc.).



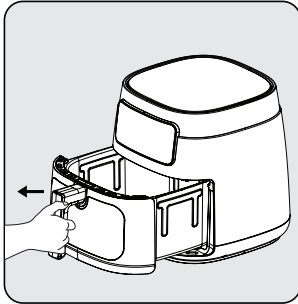
- La parrilla de cocción está hecha de material de silicona resistente a altas temperaturas que se puede utilizar para cocinar alimentos. Básicamente, evita que el revestimiento de la cesta se raye. Asegúrese, por tanto, de que no se desprenda durante la cocción.
- Preste atención al vapor caliente que puede salir al sacar el cajón de la cesta (3) y no lo toque con las manos desnudas, ya que está muy caliente.
- Al retirar los alimentos cocinados, utilice un utensilio (pinzas, etc.) que no dañe la superficie interior del aparato.

3.5 Cocinar

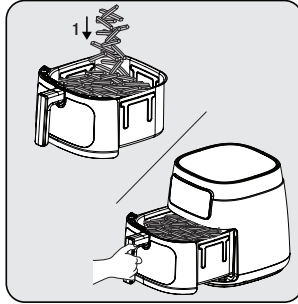
- Mezcle los alimentos con aceite antes de colocarlos en la cesta de cocción extraíble (3).



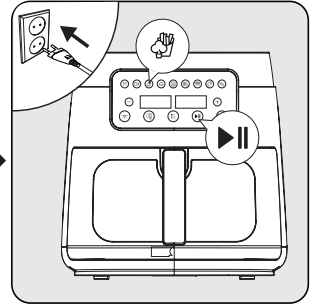
Por favor, no sujete el cajón de la cesta (3) y la rejilla de cocción extraíble (2) con otra cosa que no sea el asa mientras estén calientes.



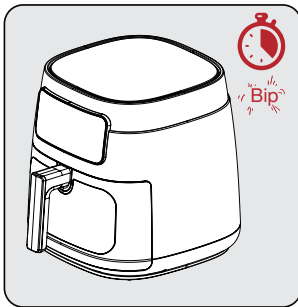
Para abrir el cajón de la cesta (3), sujete firmemente el asa; luego extraiga el cajón de la máquina y colóquelo sobre una superficie plana y limpia.



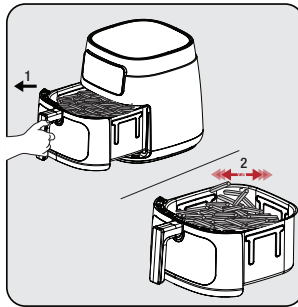
Coloque los alimentos en la cesta de cocción (3). A continuación, coloque la cesta en el aparato y asegúrese de que encaja por completo.



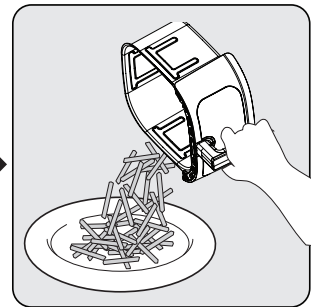
Enchufe su aparato y seleccione el programa de cocción deseado. A continuación, inicie el proceso de cocción.



Al finalizar el tiempo programado, se escuchará un sonido de advertencia y el aparato se apagará automáticamente. Cuando finaliza el programa de cocción, en la pantalla aparece el aviso "Fin". Esta expresión indica que el programa de comida ha terminado.

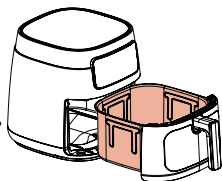


Saque la cesta de cocción extraíble (3) y compruebe si los alimentos están fritos o congelados. En caso de necesitar más tiempo de cocción, puede prolongar el tiempo de cocción un poco más.



Una vez finalizado el proceso, vierta los ingredientes de la cesta en un bol o plato.

3 Uso



Evite que la cesta de cocción entre en contacto con la superficie exterior del aparato, ya que la superficie de la cesta de cocción (5) estará caliente durante y después de la cocción.



- Deje reposar los alimentos de 5 a 10 segundos antes de sacarlos de la cesta de cocción extraíble (5).
- Para sacar los alimentos grandes o blandos de la cesta, utilice unas pinzas para no causar ningún daño en la superficie interior del aparato.
- Cuando un lote esté listo, el aparato estará inmediatamente listo para otro lote.










Recuerde que el aparato puede estar muy caliente durante el funcionamiento y giro.

4 Tiempo de cocción

La siguiente tabla ofrece un resumen de los tiempos de cocción para diferentes alimentos. El tiempo de cocción varía en función del grosor y la textura de los alimentos. Los tiempos y cantidades recomendados deben considerarse como aproximados.

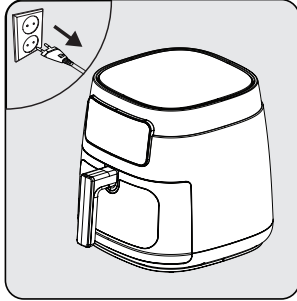
Antes de cocinar, realice un proceso de precalentamiento hasta que el aparato alcance la temperatura recomendada en la tabla para lograr resultados satisfactorios.

PROGRAMA	ALIMENTO	MONTO	SÍMBOLO	TEMPERATURA	TIEMPO (min.) INTERVALO	MEZCLADO / AGITADO
DESCONGELAR				80 °C	13-17 min.	2
PATATAS FRITAS	Patata Congelada	500 g		200 °C	15-20 min.	4
POLLO	Muslo de Pollo	450 g		200 °C	20 minutos	2
PARRILLA	Hamburguesa en Rollo	500 g		190 °C	15 min.	2
PINCHO	Pollo en Pinchos	500 g		180 °C	15-20 min.	4
PASTEL	Panecillo	6 copas de mini panecillo		160 °C	20 minutos	X
SECADO				70 °C	60-140 min.	X

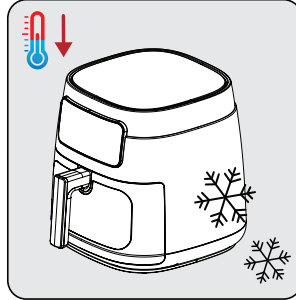
5 Limpieza y mantenimiento

5.1 Limpieza

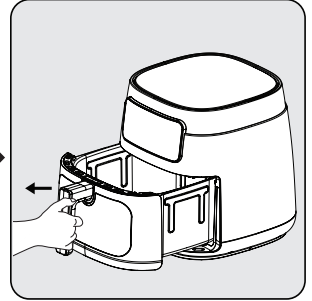
i No utilice nunca gasolina, disolvente, limpiadores abrasivos, objetos metálicos o cepillos duros para limpiar el aparato.



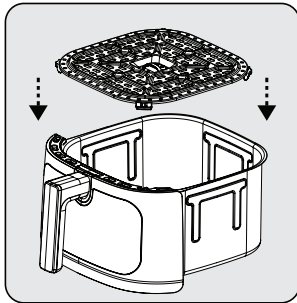
Apague y desconecte el aparato de la toma de corriente.



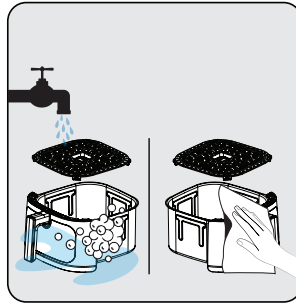
Espere a que el aparato se enfríe completamente.



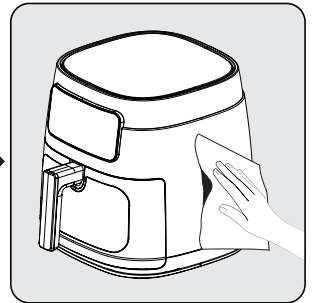
Saque la cesta de cocción (3) del cajón.



Quite la rejilla de cocción (2) de la cesta agarrando su asa y tirando de ella hacia arriba.



Limpie la cesta de cocción (3) y la rejilla de cocción (2) con agua jabonosa tibia y séquelas bien.



Limpie el exterior del aparato con un paño húmedo. Seque completamente el exterior del aparato.

i Para evitar la acumulación de sustancias extrañas, mantenga siempre limpias la base de la cesta de cocción extraíble (3) y la rejilla de cocción (2).

5.2 Almacenamiento

- Si no va a utilizar el aparato durante un periodo prolongado de tiempo, guárdelo cuidadosamente.
- Desenchufe el aparato y deje que se enfríe antes de almacenarlo.
- Guarde el aparato en un lugar fresco y seco.
- Mantenga el aparato y el cable fuera del alcance de los niños.

5.3 Transporte y envío

- Transporte el aparato en su embalaje original durante su manipulación y transporte. El embalaje protegerá el aparato contra daños físicos.
- No coloque objetos pesados sobre el aparato o su embalaje. El aparato puede dañarse.
- Si el aparato se cae, es posible que deje de funcionar o que se produzcan daños permanentes.

	Problema	Causa	Solución
1	Aparato inoperativo	Cortes de electricidad	Controle suministro eléctrico y asegúrese que exista energía
		No hay corriente o hay mal contacto en la toma de corriente	
		Desajuste de la tensión de alimentación con la tensión nominal del aparato	
2	La comida está insuficientemente cocinada/quemada	El tiempo de cocción no es correcto	Combine las recetas y su experiencia personal para ajustar la preparación y los tiempos
3	Humo en el primer uso	Restos de aceite antioxidante en el calentador del aparato	Establezca la temperatura al máximo y realice un precalentamiento de 10 a 15 minutos para eliminar el aceite antioxidante en la resistencia del aparato
4	Olor raro	Objeto extraño en la cesta de cocción, el cajón de la cesta y en el calentador	Retire el cuerpo extraño
5	E2	NTC en corto, Piezas Defectuosas	Enviar al servicio técnico para reparación
6	E4	NTC en corto, Piezas Defectuosas	

En caso de que el problema no se pueda resolver después de realizar la supervisión mencionada, póngase en contacto con nuestro servicio autorizado para su reparación.



**Contacto para asistencia técnica:
902 877 665 / 932 992 581**

CONDICIONES DE GARANTÍA - ESPAÑA

El presente certificado cubre la garantía de reparación de su electrodoméstico de gama blanca y PAE (*) durante el periodo de garantía legal previsto en la ley, a partir de la fecha de venta, contra todo defecto de funcionamiento proveniente de fabricación o materiales; o de sustitución del aparato, salvo que una de estas opciones resulte imposible o desproporcionada respecto de la otra. Cuando usted detecte un defecto o anomalía en el aparato contacte de forma inmediata con nosotros para informarnos de la falta de conformidad. Los pequeños electrodomésticos (PAE) deberán ser entregados en el taller del servicio oficial de la marca para su revisión.

La presente garantía sólo será válida si se presenta factura, ticket de compra o el albarán de entrega correspondiente a la adquisición del producto. La presente garantía es válida en el territorio español y portugués para los aparatos distribuidos por Beko Electronics España S.L.. La garantía sólo tendrá validez sobre el primer comprador o adquirente del producto. La garantía será válida para aquellos aparatos cuya instalación sea correcta y estén ubicados en condiciones climáticas y medioambientales adecuadas para su correcto funcionamiento.

EXCLUSIONES DE LA GARANTÍA

El coste de la reparación será a cargo del usuario en los siguientes casos:

- Los aparatos utilizados para uso profesional o no exclusivamente doméstico.
- Los aparatos desmontados o manipulados por personas ajenas a los servicios técnicos expresamente autorizados.
- Las instalaciones, transporte, sustitución de aparatos, puestas en marcha, cambio de sentido de puertas.
- Intervenciones de mantenimiento o de información sobre el uso de los aparatos.
- Cambio de inyectores en aparatos de gas.
- Las averías provocadas por falta de mantenimiento o limpieza o aquellas provocadas por un uso indebido, sobrecarga, abandono o de manera no conforme a las instrucciones de uso o de instalación de los aparatos.
- Las averías producidas por causas fortuitas, siniestros de fuerza mayor o derivados de instalación incorrecta y en general, averías por causas ajenas al propio aparato.
- Las averías provocadas por conexiones que puedan presentar fluctuaciones, irregularidades o falta de uniformidad en el suministro, por ejemplo: suministro de agua impulsado por grupos de presión, energía solar, energía eólica, generadores eléctricos, u otro tipo de suministro no normalizado.
- La sustitución de materiales rotos o deteriorados por desgaste o uso no normal del aparato, o materiales consumibles tales como: juntas, plásticos, gomas, correas, cristales, escobillas, bombillas, asas, tiradores, tapas de quemadores, filtros, rejillas, ánodos de sacrificio (magnesio o similares) de calentadores o calderas, etc.
- Los aparatos que presenten oxidación, o daños por corrosión en esmaltes o pinturas, que puedan ser provocados por efectos químicos o electroquímicos del agua o cualquier otra sustancia, o aceleradas por circunstancias ambientales o climáticas no propicias.
- Defectos estéticos en serigrafía o pintura.
- Los daños de transporte o manipulación, golpes, etc.
- Los aparatos deben instalarse de forma accesible para su reparación, debiendo asumir el usuario los costes necesarios para el acceso al aparato para su reparación y sustitución.

La presente garantía no afecta a los derechos de que dispone el consumidor conforme a lo previsto en la legislación vigente. El Servicio Oficial de Asistencia Técnica resolverá cualquier incidencia que pudiera precisar su electrodoméstico siempre que el aparato esté instalado de forma accesible. Para asegurarse que su electrodoméstico va a ser intervenido por un técnico oficial autorizado, rogamos solicite el carnet avalado por ANFEL (Asociación Nacional de Fabricantes de Electrodomésticos) a nuestros técnicos.

Las marcas BEKO y GRUNDIG se distribuyen por Beko Electronics España S.L.

DATOS APARATO (a rellenar por el Distribuidor):

Titular:		Sello Establecimiento:
Modelo:	Núm. serie:	
Establecimiento:	Fecha de compra:	

**El garante e importador de su electrodoméstico es: BEKO ELECTRONICS ESPAÑA S.L. Calle Provenza nº 388
3º Barcelona 08025, España.**

Conózanos mejor en nuestra página: www.beko.com Conserve este documento, es importante para usted.

(*) Se consideran electrodomésticos de gama blanca, los aparatos de gran tamaño de cocina, limpieza, refrigeración y ventilación y el pequeño aparato electrodoméstico (PAE) aquellos aparatos de higiene personal, mantenimiento del hogar y preparación de alimentos.



**Contacte a assistência técnica:
707 014 192 / 215 557 319**

CONDIÇÕES DE GARANTIA - PORTUGAL

Este certificado cobre a garantia de reparação do seu eletrodoméstico da linha branca e pequeno eletrodoméstico (*) durante o período de garantia legal determinado pela legislação em vigor a contar da data de compra, contra defeitos de funcionamento provenientes do fabrico ou dos materiais; ou de substituição do aparelho, a menos que uma dessas opções seja impossível ou desproporcionada em relação à outra. Quando detetar um defeito ou anomalia no aparelho entre imediatamente em contacto connosco para nos informar da não conformidade. Os pequenos eletrodomésticos devem ser entregues na oficina de serviço oficial da marca para a sua revisão.

Esta garantia só será válida se for apresentada a fatura, o recibo de compra, ou a nota de entrega correspondente a aquisição do produto. Esta garantia é válida em território espanhol e português para aparelhos distribuído pela Beko Home Appliances Portugal, Unipessoal, Lda. A garantia só é válida para o primeiro comprador ou adquirente do produto. A garantia será válida para os aparelhos cuja instalação esteja correta e que estejam localizados em condições climáticas e ambientais adequadas para o seu correto funcionamento.

EXCLUSÕES DA GARANTIA

O custo da reparação será pago pelo utilizador nos seguintes casos:

- Aparelhos utilizados para uso profissional ou não exclusivamente doméstico.
- Os equipamentos desmontados ou manuseados por outras pessoas que não os serviços técnicos expressamente autorizados.
- Instalações, transporte, substituição de equipamento, colocação em funcionamento, alteração do sentido das portas.
- Intervenções de manutenção ou informações sobre a utilização dos aparelhos.
- Alteração de injetores em aparelhos a gás.
- As avarias causadas pela falta de manutenção ou limpeza, ou aquelas causadas por um uso inadequado, sobrecarga, abandono ou de uma forma a não respeitar as instruções de uso ou instalação dos aparelhos.
- As avarias provocadas por causas acidentais, sinistros de força maior ou resultantes de instalação inadequada e em geral, avarias por razões não relacionadas com o produto.
- As avarias causadas por ligações que podem apresentar flutuações, irregularidades ou falta de uniformidade no fornecimento, por exemplo: abastecimento de água impulsionado por grupos de pressão, energia solar, energia eólica, geradores de energia elétrica ou outro tipo de fornecimento não-padrão.
- A substituição de materiais quebrados ou danificados por desgaste ou uso não normal do aparelho, ou consumíveis tais como: juntas, plásticos, borracha, correias, vidros, pincéis, lâmpadas, asas, puxadores, tampas de queimadores, filtros, grelhas, ânodos de sacrifício (magnésio ou similares) de aquecedores ou caldeiras, etc.
- Os aparelhos que apresentem oxidação, ou danos por corrosão nos esmaltes ou na pintura, que possam ter sido causados por efeitos químicos ou eletroquímicos da água ou de qualquer outra substância, ou acelerados por circunstâncias ambientais ou climáticas desfavoráveis.
- Defeitos estéticos em serigrafia ou pintura.
- Os danos causados por transporte ou manuseio, colisões, etc.
- Os aparelhos devem ser instalados de forma acessível em caso de reparação, devendo o utilizador assumir os custos necessários para aceder ao aparelho para reparação e substituição.

A presente garantia não afeta os direitos de que o consumidor dispõe conforme o previsto na legislação em vigor. O Serviço Oficial de Assistência Técnica resolverá qualquer incidente que o seu aparelho possa necessitar, desde que o aparelho seja instalado de forma acessível.

As marcas BEKO e GRUNDIG são distribuídas por Beko Home Appliances Portugal, Unipessoal, Lda

DADOS DO APARELHO (a ser preenchido pelo Distribuidor):

Detentor:	Carimbo do estabelecimento:	
Modelo:	Nº série:	
Estabelecimento:	Data de compra:	

O fiador e o importador do seu eletrodoméstico é: Beko Home Appliances Portugal, Unipessoal, Lda; Edifício Amoreiras Square; Rua Carlos Alberto da Mota Pinto, nº 17, 3ªA, Amoreiras 1070-313, Lisboa, Portugal.

Conheça-nos melhor na nossa página: www.beko.com Conserve este documento, é importante para si.

(*) São considerados eletrodomésticos da linha branca, os aparelhos de cozinha, limpeza, refrigeração e ventilação de tamanho grande e pequenos eletrodomésticos, os de higiene pessoal, manutenção do lar e preparação de alimentos.

Vă rugăm citiți mai întâi acest ghid!

Stimate client,

Vă mulțumim că ați ales un produs Grundig. Dorim să obțineți eficiența optimă de la acest produs de înaltă calitate fabricat cu tehnologie de ultimă generație. Vă rugăm să citiți și să înțelegeți integral acest ghid și documentația suplimentară înainte de utilizare și să îl păstrați ca referință. Includeți acest ghid împreună cu unitatea dacă o predați altcuiva. Respectați toate avertismentele și informațiile din acest document și urmați instrucțiunile.

Rețineți că instrucțiunile din acest manual se pot aplica și altor modele de produse. Acest manual precizează cu exactitate toate modificările diferitelor modele.

Simboluri și semnificațiile lor

Următoarele simboluri sunt utilizate pe parcursul acestui ghid:



Informații importante și sfaturi utile cu privire la utilizarea dispozitivului.



AVERTIZARE: Avertizări cu privire la situații periculoase legate de siguranța vieții și a bunurilor.



Adecvat pentru contactul cu alimentele.



Nu imersați aparatul, cablul de alimentare sau ștecherul de alimentare în apă sau în alte lichide.



Avertisment privind suprafețele fierbinți.



**HÂRTIE RECICLATĂ
ȘI RECICLABILĂ**

1 Instrucțiuni importante privind siguranța și mediul

Această secțiune conține instrucțiuni de siguranță pentru prevenirea pericolelor care pot cauza vătămări corporale sau daune materiale.

Nerespectarea acestor instrucțiuni va avea ca efect anularea garanției.

1.1 Siguranță generală

- Acest aparat este conform cu standardele internaționale de siguranță.
- Acest aparat este destinat numai uzului casnic și preparării alimentelor. Nu este adecvat pentru utilizare în scopuri industriale.
- Acest aparat nu poate fi utilizat de copii cu vârste cuprinse între 0 și 8 ani. Aparatul poate fi utilizat numai de copii cu vârsta minimă de 8 ani, cu condiția ca aceștia să fie supravegheați permanent. Acest aparat poate fi utilizat de persoane cu capacități fizice, senzoriale sau mentale reduse sau care nu au experiență și cunoștințe despre produs, cu condiția să fie supravegheate sau instruite cu privire la utilizarea în siguranță a produsului și la riscurile pe care le implică acesta.
- Acest produs nu este destinat utilizării comerciale, este destinat utilizării la domiciliu și în aplicații după cum urmează:
 - în bucătăriile pentru personalul magazinelor, birouri și în alte medii de lucru,
 - în ferme,
 - de către clienții în hoteluri, moteluri sau alte unități de cazare;
 - în hosteluri sau alte medii similare.
 - pensiuni cu micul dejun inclus
- Copiii sunt supravegheați să nu se joace cu aparatul.
- Copiii nu trebuie să se ocupe de curățare și întreținere decât sub supravegherea unui adult.
- Nu lăsați produsul și cablul acestuia la îndemâna copiilor cu vârsta sub 8 ani.
- Poziționați mânerul aparatelor de gătit (dacă există) astfel încât lichidele fierbinți să nu curgă și să le așezați în siguranță.
- Asigurați-vă că tensiunea indicată pe aparat este aceeași cu tensiunea de alimentare de la

1 Instrucțiuni importante privind siguranța și mediul

priză.

- Utilizați aparatul cu o fișă cu împământare.
- Nu utilizați aparatul cu un prelungitor.
- Nu așezați aparatul pe sau lângă surse de căldură, precum cupatoare și sobe.
- Pentru a preveni deteriorarea cablului de alimentare, evitați prinderea, îndoirea sau frecarea acestuia de margini ascuțite.
- Nu deconectați aparatul prin tragerea de cablu.
- Nu imersați aparatul sau cablul acestuia în apă pentru curățare.
- Nu lăsați aparatul nesupravegheat în timp ce este conectat la priză.
- Nu dezasamblați aparatul.
- Utilizați doar componente originale sau componente recomandate de către producător.
- Scoateți aparatul din priză înainte de a curăța și usca complet toate componentele după curățare.
- Curățați aparatul conform instrucțiunilor din secțiunea Curățarea și întreținerea.
- Nu introduceți bucăți mari de alimente în aparat, deoarece pot provoca un incendiu.
- Nu atingeți ștecherul aparatului dacă aveți mâinile umede sau ude.
- Nu utilizați aparatul în medii umede.
- Nu deplasați aparatul în timpul utilizării și dacă uleiul din interior este fierbinte.
- Nu utilizați aparatul în medii și substanțe explozive sau inflamabile sau în apropierea acestora.
- Pentru a evita riscul de arsuri, nu atingeți suprafețele fierbinți.
- Lăsați aparatul să se răcească într-un loc sigur, inaccesibil copiilor.
- Nu blocați orificiile de admisie și de evacuare a aerului în timpul funcționării aparatului.
- Nu vă aplecați deasupra aparatului în timp ce acesta este în uz. În timpul utilizării, din aparat iese aer fierbinte!
- Aparatul se încălzește în timpul utilizării. Pentru a evita riscul de arsuri, nu atingeți suprafețele fierbinți.

1 Instrucțiuni importante privind siguranța și mediul

- Asigurați-vă că încăperea este ventilată corespunzător în timpul utilizării.
- În caz de incendiu, scoateți aparatul din priză.
- Nu turnați apă pe aparat, deoarece poate provoca pericol de electrocutare.
- Nu utilizați aparatul cu un cronometru extern sau cu un sistem de telecomandă separat.
- Pentru acest aparat, utilizați numai articole de bucătărie metalice cu mânere izolate.
- Nu puneți nimic pe aparat în timpul funcționării sau încălzirii.
- Dezactivați butonul indicator pentru a vă deconecta. Apoi scoateți aparatul din priză.
- Dacă păstrați materialele de ambalare, depozitați-le în locuri inaccessibile copiilor.
- În cazul în care cablul de alimentare este deteriorat, acesta trebuie înlocuit de către producător, de către agentul său de service sau de către persoane calificate în mod similar pentru a evita potențialele pericole.

1.1 Conformitatea cu Directiva WEEE și eliminarea produsului uzat:

Acest produs este în conformitate cu Directiva EU privind WEEE (2012/19/EU). Acest produs este prevăzut cu un simbol de clasificare pentru deșeurile de echipamente electrice și electronice (WEEE).



Acest simbol arată că acest produs nu trebuie eliminat împreună cu deșeurile menajere la sfârșitul perioadei sale de utilizare. Aparatul uzat trebuie transportat la un punct de colectare pentru reciclarea echipamentelor electrice și electronice. Pentru a găsi aceste sisteme de colectare, vă rugăm să contactați autoritățile locale sau comerciantul unde a fost pus în vânzare produsul. Fiecare gospodărie are un rol important în recuperarea și reciclarea electrocasnicilor vechi. Eliminarea corespunzătoare a aparatelor utilizate ajută la prevenirea posibilelor consecințe negative pentru mediu și sănătatea umană.

1.2 Conformitatea cu Directiva RoHS

Produsul achiziționat de dumneavoastră este în conformitate cu Directiva EU RoHS (2011/65/EU). Acesta nu conține materiale periculoase și interzise, specificate în această Directivă.

1.3 Informații despre ambalaj

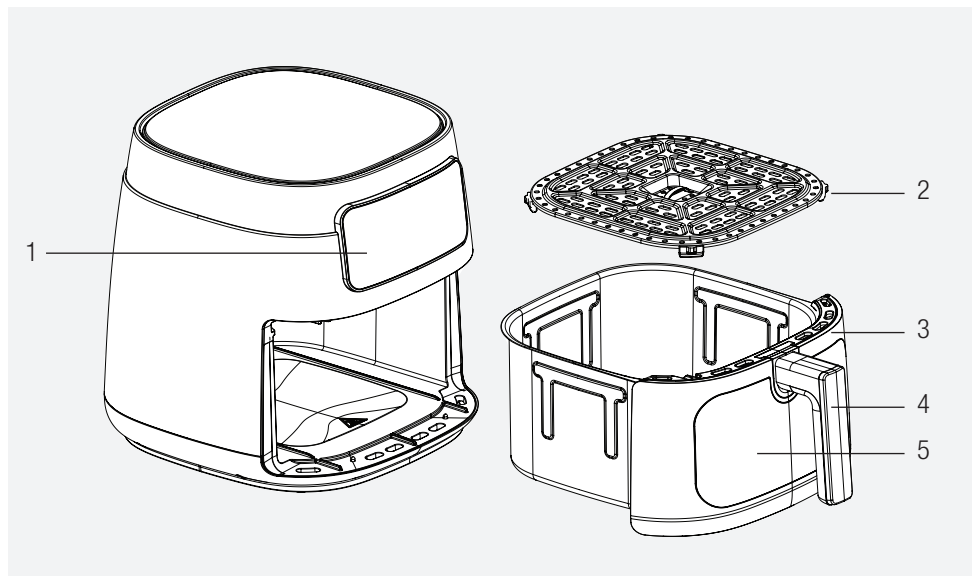


Ambalajele produsului sunt fabricate din materiale reciclabile, conform reglementărilor noastre naționale de mediu. Materialele utilizate pentru ambalare nu trebuie eliminate împreună cu deșeurile menajere sau cu alt tip de deșeurii. Transportați-le la punctele de colectare pentru ambalaje, amenajate de autoritățile locale.

1.4 Aspecte importante pentru economisirea energiei

În timpul utilizării aparatului, respectați timpii recomandați în manual. Scoateți din priză aparatul după fiecare utilizare.

2 Friteuză cu ulei puțin



1. Panou digital control
2. Grătar de gătit
3. Coș detașabil de gătit
4. Mâner
5. Cameră de gătit trasabilă iluminată

Date tehnice

Sursa de alimentare	220-240V~, 50-60Hz
Consum electric	1750 W

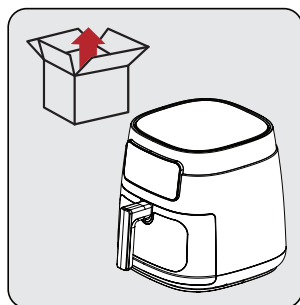
Semnele de pe aparat și valorile specificate în documentele furnizate împreună cu produsul au fost obținute în condiții de laborator în conformitate cu standardele aferente. Valorile pot varia în funcție de utilizarea aparatului și de condițiile ambientale. Valorile de alimentare au fost testate la o tensiune de 230 V.

3 Utilizarea destinată

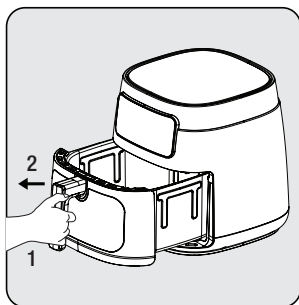
- Aparatul este destinat numai pentru uzul casnic și nu este adecvat pentru uzul profesional.
- Atunci când utilizați aparatul pentru prima dată, este posibil să existe o ușoară emisie de fum. Acesta este un lucru normal.

3.1 Pregătirea aparatului pentru utilizare

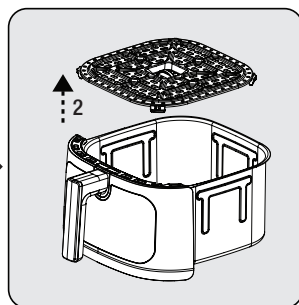
- Folosiți aparatul în poziție verticală, pe o suprafață stabilă, plană, curată, uscată și antiderapantă.



Înainte de a utiliza aparatul pentru prima dată, scoateți ambalajul și așezați aparatul într-o zonă plată și curată.



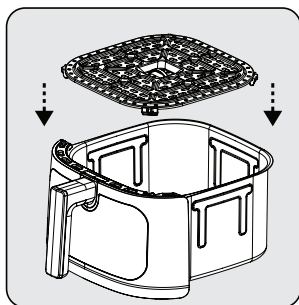
Prindeți ferm mânerul (4) pentru a elibera coșul de gătit detașabil (3); apoi, scoateți sertarul din aparat.



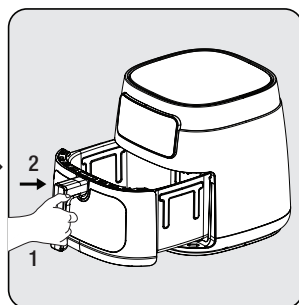
Așezați sertarul pe o suprafață plană pentru a detașa grătarul de gătit (2) de sertar. Scoateți grătarul de gătit (2), ridicându-l din sertar.



Curățați grătarul de gătit (2) și coșul de gătit detașabil (3) cu apă caldă cu săpun, apoi uscați bine suprafața exterioră a aparatului și componentele pe care le-ați spălat.



Pe ambele părți ale mânerului există 2 caneluri. Așezați coșul în carcasa sa, aliniind marginile în creștăturile din partea de sus a sertarului coșului.

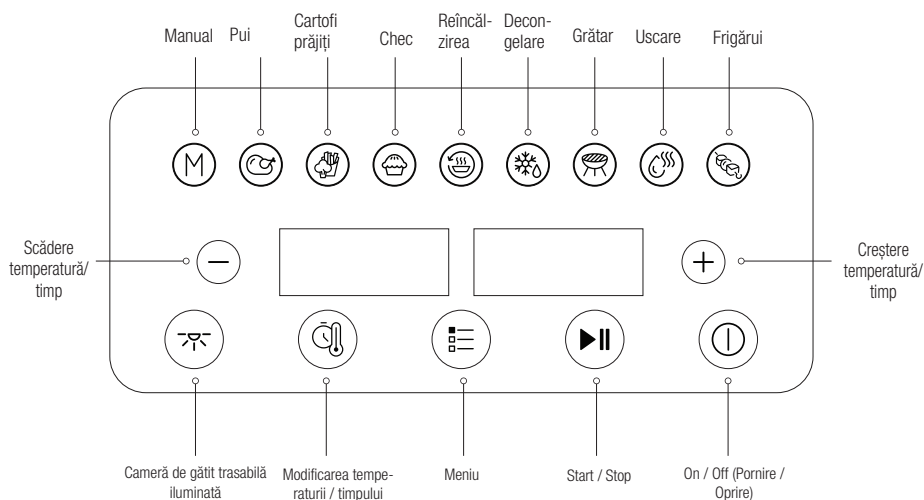


Atașați sertarul la aparat după ce ați curățat toate componentele. Aparatul este gata de utilizare.



- Pentru prima utilizare, setați produsul la cea mai ridicată temperatură și puneți-l în funcțiune timp de aproximativ 10 minute fără a adăuga niciun aliment.
- Nu utilizați niciodată sertarul pentru coșuri (6) fără grătarul detașabil (2).

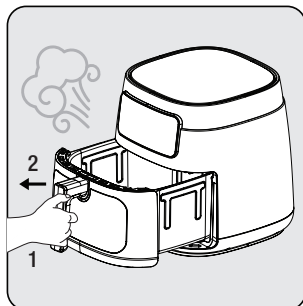
3.2 Panoul de control și afișajul cu LED-uri:



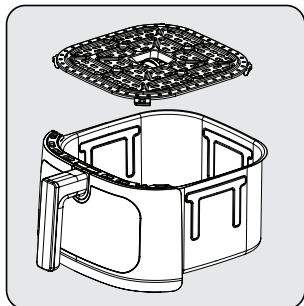
- Pentru a selecta un program, apăsați simbolul „Meniu” în mod repetat până când găsiți programul dorit. Când programul dorit este găsit, lumina programului va clipi, apăsați simbolul „Start” pentru a porni programul.
- Când pe afișaj apare "End" (Sfârșit), procesul de gătit este finalizat, iar coșul de gătit trebuie îndepărtat.
- Afișajul se închide când coșul de gătit este scos din aparat. Aparatul repornește când coșul de gătit este pus înapoi.

3 Utilizare

3.3 Avertizări înainte de prima utilizare



Atunci când coșul de gătit detașabil (3) este tras înapoi în timp ce aparatul funcționează, prin ieșirea de aer și prin partea superioară a coșului vor ieși aburi fierbinți. Prin urmare, aveți grijă să nu vă opăriți cu aburul la temperaturi ridicate.



Când utilizați grătarul de gătit (2) și sertarul pentru coș (3) la temperaturi mai ridicate, aveți grijă să nu intrați în contact direct cu ele.

3.4 Funcționarea

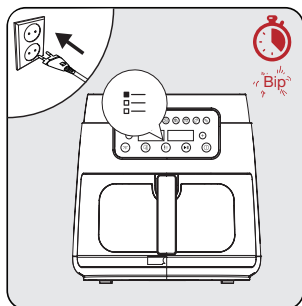
3.4.1 Selectarea și pornirea unui program



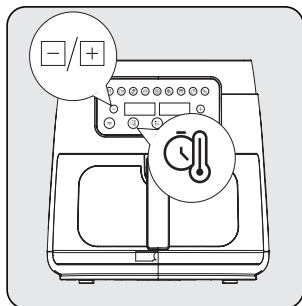
Afișajul indică temperaturile și timpii setați automat în funcție de funcțiile de gătit selectate. Puteți modifica aceste temperaturi și timpi după cum doriți.



Apăsați simbolul de oprire dacă doriți să treceți la un alt program după ce produsul este pornit. Apoi, apăsați „Meniu” pentru a selecta programul dorit.



Conectați produsul la priză și apăsați o dată simbolul de pornire/oprire. Se va afișa întregul afișaj de selecție. Apăsați simbolul "Meniu" până când ajungeți la funcția pe care doriți să o selectați.

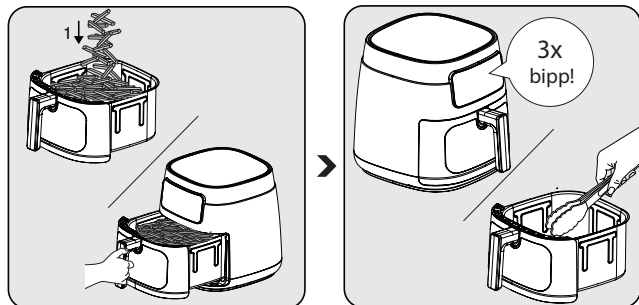



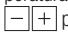

Apăsați simbolul de schimbare "Temperature / Time" sau simbolurile "+" sau "-". Temperatura va clipi pe afișaj. Înlocuiți cu temperatura "+" sau simbolurile "-" dorite. Când apăsați din nou simbolul "Temperature / Time", ora va clipi pe afișaj. Setati timpul de preparare cu ajutorul simbolurilor "+" sau "-".



Apăsați simbolul "Start/Stop" și porniți aparatul. Așezați alimentele pe care doriți să le gătiți în coșul de gătit al produsului. Când așezați coșul de gătit la locul său, timpul setat va fi afișat pe ecran, cu excepția timpului de preîncălzire, iar timpul va începe numărătoarea inversă.

3.4.2 Setarea temperaturii și a timpului



Apăsați simbolul  pentru a seta temperatura și timpul. Apoi, apăsați simbolul  pentru a seta temperatura și timpul necesare. Apăsați simbolul  pentru a începe.

Când se atinge jumătate din timpul setat al programului, sertarul pentru coșuri (3) poate fi scos și puteți întoarce mâncarea cu un instrument auxiliar (clește etc.).



- Grătarul de gătit este fabricat din material siliconic rezistent la temperaturi ridicate, care poate fi utilizat pentru a găti alimente. În esență, acesta împiedică zgărierea interiorului coșului. Prin urmare, asigurați-vă că nu se desprinde în timpul gătitului.
- Nu uitați de aburul fierbinte care poate fi evacuat în timp ce trageți sertarul coșului (3) și nu-l atingeți cu mâinile goale, deoarece este foarte fierbinte.
- Când scoateți mâncarea gătită, folosiți un instrument (clește etc.) care nu va deteriora suprafața interioară a aparatului.

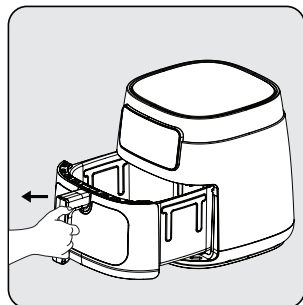
3 Utilizare

3.5 Gătit

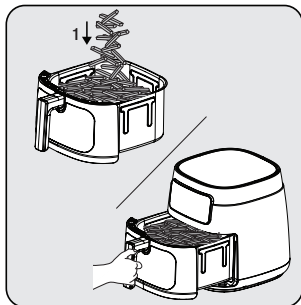
- Amestecați alimentele cu ulei înainte de a le pune în coșul de gătit detașabil (3).



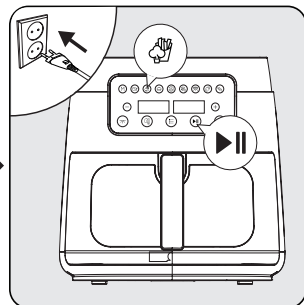
Vă rugăm să nu țineți sertarul coșului (3) și grila de gătit detașabilă (2) cu nimic altceva decât cu mânerul în timp ce acestea sunt fierbinți.



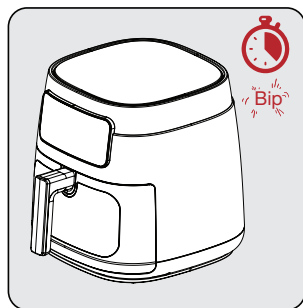
Prindeți ferm mânerul pentru a deschide sertarul pentru coșuri (3); apoi scoateți sertarul din aparat și așezați-l pe o suprafață plană și curată.



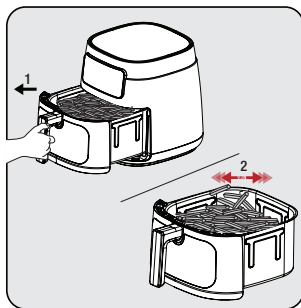
Așezați alimentele în coșul de gătit (3). Atașați apoi coșul la aparat și asigurați-vă că se potrivește perfect.



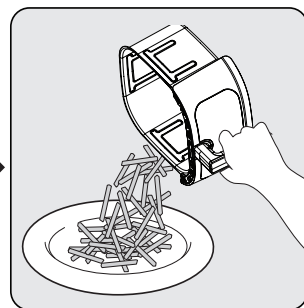
Conectați aparatul la sursă și selectați programul de gătit dorit. Apoi, începeți procesul de gătit.



Când timpul setat este expirat se va auzi un sunet de avertizare iar aparatul dumneavoastră se oprește automat. Când programul de gătit este finalizat, pe afișaj apare notificarea "End" (Sfârșit). Această expresie indică faptul că programul pentru alimentul respectiv este încheiat.

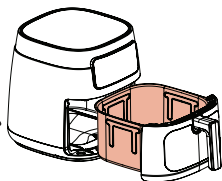


Scoateți coșul de gătit detașabil (3) și verificați alimentele, dacă sunt prăjite sau congelate sau nu. Dacă este necesar un timp suplimentar de gătire, puteți prelungi timpul de gătire puțin mai mult.



După încheierea procesului, puneți ingredientele din coș într-un castron sau într-o farfurie.

3 Utilizare



Evitați contactul coșului de gătit cu suprafața exterioară a aparatului, deoarece suprafața coșului de gătit (5) va fi fierbinte atât în timpul cât și după gătit.



- Lăsați alimentele să se odihnească timp de 5-10 secunde înainte de a le scoate din coșul de gătit detașabil (5).
- Utilizați clești pentru a scoate alimente mari sau moi din coș, pentru a nu deteriora suprafața interioară a aparatului.
- Când o parte este gata, aparatul este imediat pregătit pentru o altă parte.







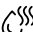


Rețineți că dispozitivul poate deveni foarte fierbinte în timpul procesului de rotire.

4 Timpul de gătit

Tabelul următor oferă o prezentare generală a timpilor de gătire pentru diferite alimente. Timpul de gătire variază în funcție de grosimea și textura alimentelor. Timpii și cantitățile recomandate trebuie considerate ca fiind aproximative.

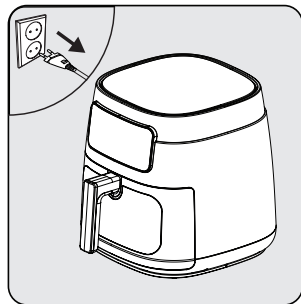
Pentru a obține rezultate de succes înainte de procesul de gătire efectuați un proces de preîncălzire până când aparatul ajunge la temperatura recomandată specificată în tabel.

PROGRAM	ALIMENT	CANTI-TATE	SIMBOL	TEMPERA-TURĂ	TIMP (min.) INTERVAL	AMESTECARE / AGITARE
DECONGELARE				80 °C	13-17 min.	2
CARTOFI PRĂJIȚI	Cartofi congelați	500 g		200 °C	15-20 min.	4
PUI	Copane de pui	450 g		200 °C	20 minute	2
GRĂȚAR	Burger în rulouri	500 g		190 °C	15 min.	2
FRIGĂRUI	Frigărui de pui	500 g		180 °C	15-20 min.	4
CHEC	Brioșe	6 cupe de brioșe mini		160 °C	20 minute	X
USCARE				70 °C	60-140 min.	X

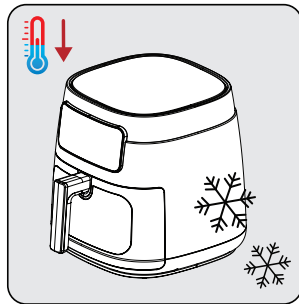
5 Curățarea și întreținerea

5.1 Curățarea

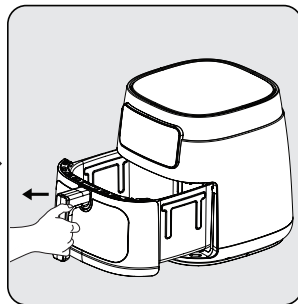
i Nu utilizați benzină, solvenți, agenți abrazivi de curățare, obiecte metalice sau perii dure pentru a curăța aparatul.



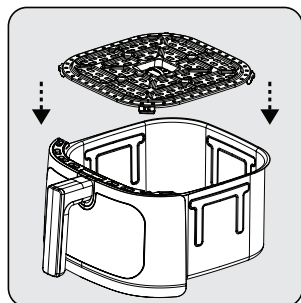
Opriti aparatul și deconectați-l de la sursa de alimentare.



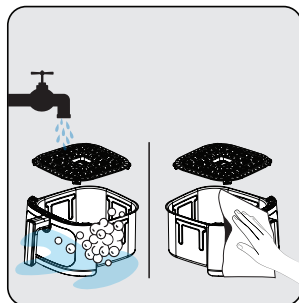
Lăsați aparatul să se răcească complet.



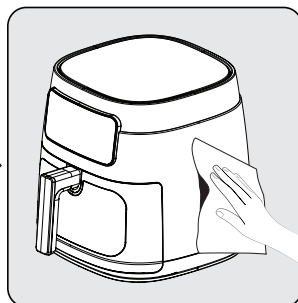
Scoateți coșul de gătit detașabil (3) din sertar.



Scoateți grătarul de gătit (2) din coș prin zănd mânerul acestuia și trăgându-l în sus.



Curățați coșul de gătit (3) și grătarul de gătit (2) cu apă caldă cu săpun și apoi uscați-le bine.



Curățați partea exterioară a aparatului cu o cârpă umedă. Uscați complet exteriorul aparatului.

i Păstrați întotdeauna curată baza coșului de gătit detașabil (3) și grătarul de gătit (2) pentru a preveni acumularea de substanțe străine.

5.2 Depozitarea

- Dacă nu doriți să utilizați aparatul pentru o perioadă mai lungă de timp, depozitați-l cu grijă.
- Scoateți aparatul din priză și lăsați-l să se răcească înainte de a-l pune deoparte.
- Depozitați aparatul într-un loc uscat și rece.
- Păstrați aparatul și cablul într-un loc inaccesibil copiilor.

5.3 Transportul și expedierea

- Transportați aparatul în ambalajul său original în timpul manipulării și transportului. Ambalajul protejează aparatul împotriva deteriorării fizice.
- Nu puneți obiecte grele pe produs sau pe ambalajul acestuia. Produsul se poate deteriora.
- Dacă aparatul este scăpat, este posibil să nu mai funcționeze sau să se producă daune permanente.

6 Depanare

	Problema	Cauză	Soluție
1	Aparatul nu funcționează	Întreruperi de curent	Verificați sursa de alimentare și asigurați-vă că este curent
		La priza de alimentare nu este curent sau contactul este slab	
		Tensiunea de alimentare nu se potrivește cu tensiunea nominală a aparatului	
2	Mâncarea este insuficient gătită/arsă	Timpul de gătit nu este corect	Combinați rețetele și experiența dvs. personală pentru a regla gătitul și timpul necesar
3	Fum în timpul primei utilizări	Pe încălzitorul aparatului a rămas ulei antirugină	Setați temperatura la maxim și efectuați o preîncălzire timp de 10-15 minute pentru a îndepărta uleiul antirugină de pe încălzitorul aparatului
4	Miros ciudat	Obiect străin în coșul de gătit, sertarul coșului și încălzitor	Îndepărtați obiectul străin
5	E2	NTC scurtcircuitat, piese defecte	Trimiteți aparatul la un service pentru reparație
6	E4	NTC scurtcircuitat, piese defecte	

Contactați service-ul autorizat pentru reparații, în cazul în care problema nu poate fi rezolvată după efectuarea depanării menționate mai sus.



CERTIFICAT DE GARANȚIE

Tensiune de alimentare/frecvență: 220-240V~, 50-60Hz
Importator: ARCTIC S.A., Găești, Dâmbovița, str. 13 Decembrie nr. 210, email: office@arctic.ro

TIP: **Electrocasnice mici de bucătărie**

Cuptor cu microunde

Purificatoare de aer

Model / Serie:.....

VĂNZĂTOR

Nr. factură:.....Data:

Vânzător (firma, localitatea):

CUMPĂRĂTOR

NumeLocalitatea

Str.Nr.BlocSc.Et.Ap.

Județ TelefonE-mail

S-a efectuat proba de funcționare a aparatului, s-a prezentat modul de folosire, s-au predat instrucțiunile de utilizare și toate accesoriile. Am primit aparatul în perfectă stare de funcționare.

Stimați clienți,

La cumpărare vă recomandăm să solicitați efectuarea probei de funcționare și să verificați existența instrucțiunilor de utilizare și a accesoriilor.

Pentru a putea beneficia de toate avantajele produselor și serviciilor noastre vă rugăm:

- să citiți cu atenție și să respectați recomandările prezentate în "Instrucțiunile de utilizare".

- să păstrați cu grijă acest certificat pentru a-l putea prezenta (împreună cu documentul fiscal de achiziție), personalului SERVICE ARCTIC, la orice sesizare efectuată în perioada de garanție.

Vă mulțumim că ați optat pentru cumpărarea unui produs Beko!

Garanția legală de conformitate

Durata medie de utilizare a produsului este de 5 ani!

Perioada de garanție a produsului este de 3 ani de la livrarea produsului*.

Perioada de 3 ani garanție se compune din garanția legală de conformitate de 2 (doi) ani la care se adaugă garanția comercială de durabilitate de 1 (un) an. Acordarea garanției comerciale de durabilitate se acordă în aceleași condiții în care se acordă garanția legală de conformitate.

*prin „produs” se înțelege „bun” conform OUG nr. 140/2021¹

Perioada de garanție legală de conformitate pentru conținutul digital sau serviciul digital în cazul bunurilor cu elemente digitale pentru care contractul de vânzare-cumpărare prevede furnizarea continuă de conținut digital sau a serviciului digital pe durată determinată este de:

a) 2 ani de la livrare, respectiv de la livrarea bunului - pentru produse cu durata medie de utilizare de 5 ani (art. 9 (3) din OUG nr. 140/2021);

b) 5 ani de la livrare, respectiv de la livrarea bunului - pentru produse cu durata medie de utilizare mai mare de 5 ani (art. 9 (3) din OUG nr. 140/2021);

c) Pe tot parcursul perioadei de furnizare a conținutului / serviciului digital - pentru furnizare continuă a conținutului / serviciului digital pe o perioadă mai mare de 5 ani (art. 9 (4) din OUG nr. 140/2021).

¹Ordonanță de urgență 140/2021 privind anumite aspecte referitoare la contractele de vânzare de bunuri



Service-ul acestui produs este asigurat de ARCTIC S.A. cu sediul în Găești, Dâmbovița, str. 13 Decembrie nr. 210. • *9010 • www.arctic.ro • www.beko.ro • e-mail: service@arctic.ro
Program Call Center: Luni - Vineri 08:30 - 20:00; Sâmbătă 08:30 - 17:00



Remedii incluse în garanția legală de conformitate conform OUG nr. 140/2021 (vă rugăm să aveți în vedere prevederile de mai jos)

ARCTIC garantează toate drepturile legale prevăzute de OUG nr. 140/2021 în beneficiul consumatorilor cu privire la garanția legală de conformitate. Dispozițiile prezentului certificat de garanție legală de conformitate se completează, în mod corespunzător, cu dispozițiile OUG nr. 140/2021.

În caz de neconformitate, consumatorul are dreptul de a beneficia de aducerea în conformitate a bunurilor, de a beneficia de o reducere proporțională a prețului sau de a obține încetarea contractului, în condițiile legii - art. 11 (1).

Consumatorii beneficiază de înlocuirea bunurilor în cazul în care neconformitatea acestora este constatată la scurt timp după livrare, fără a depăși 30 de zile calendaristice. Art.11(7)

Pentru ca bunurile să fie aduse în conformitate, consumatorul poate opta între reparație și înlocuire, cu excepția cazului în care măsura corectivă aleasă ar fi imposibilă sau, în comparație cu cealaltă măsură corectivă disponibilă, ar impune vânzătorului costuri care ar fi disproporționate, luând în considerare toate circumstanțele (ex. valoarea bunurilor în cazul în care nu ar fi existat neconformitatea, gravitatea neconformității sau dacă măsura corectivă alternativă ar putea fi executată fără vreun inconvenient semnificativ pentru consumator) - art. 11 (2).

Instalarea incorectă a bunurilor (art. 7).

Orice neconformitate cauzată de instalarea incorectă a bunurilor este considerată ca reprezentând o neconformitate a bunurilor, în oricare din următoarele situații:

- a) instalarea face parte din contractul de vânzare și a fost realizată de vânzător sau sub răspunderea vânzătorului;
- b) instalarea, destinată să fie realizată de consumator, a fost realizată de acesta și instalarea incorectă s-a datorat unor deficiențe în instrucțiunile de instalare furnizate de vânzător sau, în cazul bunurilor cu elemente digitale, de către vânzătorul sau furnizorul conținutului digital sau al serviciului digital.

Proba neconformității.

Orice neconformitate care este constatată în termen de un an de la data la care bunurile (inclusiv cele cu elemente digitale) au fost livrate este prezumată a fi existat deja în momentul livrării bunurilor până la proba contrarie sau cu excepția cazului în care această prezumție este incompatibilă cu natura bunurilor sau cu natura neconformității - art. 10 (1).

În cazul bunurilor cu elemente digitale pentru care contractul de vânzare prevede furnizarea continuă de conținut digital sau de servicii digitale pentru o anumită perioadă, sarcina probei cu privire la conformitatea conținutului digital sau a serviciului digital pe parcursul perioadelor de garanție legală îi revine vânzătorului în cazul unei neconformități care este constatată pe parcursul acestei perioade - art. 10 (3).

Remediere prin reparație.

În cazul în care neconformitatea este remediată prin reparație, termenele de garanție legală se prelungesc cu timpul de nefuncționare a bunului, din momentul la care a fost adusă la cunoștință vânzătorului lipsa de conformitate până la predarea efectivă a bunului în stare de utilizare normală către consumator - art. 12 (6).

Remediere prin înlocuire.

În cazul în care neconformitatea este remediată prin înlocuire, pentru bunurile care înlocuiesc bunurile neconforme, termenele legale de garanție pentru produsul înlocuit încep să curgă de la data înlocuirii cu noul produs - art. 12 (7).

Reducerea prețului și încetarea contractului.

Consumatorul are dreptul fie să obțină o reducere proporțională a prețului în conformitate cu legea, fie să obțină încetarea contractului de vânzare în condițiile legii, în oricare dintre următoarele cazuri - art. 11(4):

- a) vânzătorul nu a finalizat reparația sau înlocuirea sau, după caz, nu a finalizat reparația sau înlocuirea potrivit prevederilor legii sau vânzătorul a refuzat să aducă în conformitate bunurile potrivit prevederilor legii;
- b) se constată o neconformitate, în pofida eforturilor vânzătorului de a o remedia;
- c) neconformitatea este de o asemenea gravitate încât justifică o reducere de preț sau dreptul la încetarea imediată a contractului de vânzare;
- d) vânzătorul a declarat că nu va aduce bunurile în conformitate într-un termen rezonabil sau fără inconveniente semnificative pentru consumator ori acest lucru reiese clar din circumstanțele cazului.

Consumatorul are dreptul de a suspenda plata unei părți restante din prețul bunurilor sau a unei părți a acesteia până în momentul în care vânzătorul își va fi îndeplinit obligațiile care îi revin în temeiul legii - art. 11(6). Reducerea de preț este proporțională cu diminuarea valorii bunurilor primite de consumator în comparație cu valoarea pe care bunurile ar avea-o dacă ar fi în conformitate - art.13.

Încetarea contractului:

- a) nu poate fi solicitată dacă vânzătorul dovedește că neconformitatea este minoră;
- b) poate fi solicitată pentru totalitatea bunurilor achiziționate și livrate, deși motivul de încetare vizează doar anumite bunuri, în cazul în care consumatorul nu i se poate pretinde în mod rezonabil să accepte să păstreze numai bunurile conforme;
- c) determină obligația consumatorului de a returna vânzătorului bunurile, pe cheltuiala vânzătorului;
- d) determină obligația vânzătorului de a rambursa consumatorului prețul plătit pentru bunuri la primirea bunurilor sau a unei dovezi prezentate de consumator că bunurile au fost returnate; vânzătorul va folosi aceleași modalități de plată ca și cele folosite de consumator pentru tranzacția inițială, cu excepția cazului în care consumatorul a fost de acord cu o altă modalitate de plată și cu condiția de a nu cădea în sarcina consumatorului plata de comisioane în urma rambursării.

Garanția legală pentru viciu ascuns este aplicabilă în condițiile legii, conform OG nr. 21/1992 (reviziu 2) privind protecția consumatorului, OUG nr. 140/2021 și Codului Civil. Viciul ascuns reprezintă deficiența calitativă a unui produs livrat sau a unui serviciu prestat care nu a fost cunoscută și nici nu putea fi cunoscută de către consumator prin mijloacele obișnuite de verificare.



Service-ul acestui produs este asigurat de ARCTIC S.A. cu sediul în Găești, Dâmbovița, str. 13 Decembrie nr. 210. • *9010 • www.arctic.ro • www.beko.ro • e-mail: service@arctic.ro
Program Call Center: Luni - Vineri 08:30 - 20:00; Sâmbătă 08:30 - 17:00

UNITĂȚILE SERVICE ALE ARCTIC S.A. EXECUTĂ REPARAȚII ÎN TERMENUL DE GARANȚIE ȘI ÎN AFARA ACESTUIA

Nr. crt.	Data Reclamației	Data primirii în reparație	Reparat		Reparația curentă și/sau componenta înlocuit	Prelungirea termenului de garanție de garanție	Efectuarea verificării	
			Programat	Data ridicării aparatului			Cauza întârzierii	SERVICE

CONDITII SUPPLEMENTARE DE GARANȚIE :

Pentru orice defecțiune aparută în perioada de garanție, apelați la vânzător (respectiv, prin magazinul de unde a fost achiziționat produsul sau direct prin Call Center Arctic). Prelungirea termenului de garanție se va înscrice în certificatul de garanție de către unitatea SERVICE care a efectuat reparația. Garanția acoperă repararea și/sau înlocuirea pieselor constatate ca neconforme în sensul OUG nr. 140/2021. (necauzate de consumator) de către tehnicienii Service Arctic.

Termenul de realizare a operațiilor de reparație, înlocuire sau întreținere este de 15 zile calendaristice de la data la care cumpărătorul a sesizat lipsa de conformitate către vânzător (respectiv, prin magazinul de unde a achiziționat produsul sau direct prin Call Center Arctic).

- Reparațiile /înlocuirile se efectuează cu respectarea următoarelor condiții - art.12(1)-(5) din OUG nr.140/2021:
- fără costuri și fără vreun inconvenient semnificativ pentru consumator, ținând seama de natura bunurilor și de scopul pentru care consumatorul a solicitat bunurile în cauză;
 - consumatorul pune bunurile la dispoziția vânzătorului, iar vânzătorul preia bunurile înlocuite pe propria cheltuială;
 - obligatia de a repara sau înlocui bunurile include, după caz, demontarea bunurilor neconforme și instalarea bunurilor de înlocuire sau a bunurilor reparate sau suportarea costurilor aferente demontării și instalării;
 - consumatorul nu este obligat să plătească pentru utilizarea normală a bunurilor înlocuite în perioada care a precedat înlocuirea acestora.

Reclamațiile referitoare la aspectele prevăzute mai jos, se rezolvă numai contra cost:

- piesele și accesoriile care prezintă lovituri, zgârieturi, spărturi sau deformări din vina exclusivă a consumatorului.

PRODUSUL NU BENEFICIAZĂ DE GARANȚIE ÎN URMĂTOARELE CAZURI:

- Nu au fost respectate instrucțiunile de transport, manipulare, instalare, utilizare și întreținere, prescise.
- Subansamblurile și accesoriile casabile care se deteriorează în timpul transportului vor fi înlocuite de vânzător (în cazul în care transportul e asigurat de vânzător sau sub responsabilitatea acestuia).
- Garanția nu se acordă subsansamblelor și accesoriilor casabile ale produselor care suferă deteriorări din vina exclusivă a consumatorului.
- Tensiunea de alimentare are valori care nu se încadrează în limitele prevăzute de standarde (SREN 50160).
- Instalația electrică a utilizatorului prezintă improvizatii sau neconformități.
- Produsul a fost folosit în alte scopuri decât cel pentru care a fost proiectat.
- Produsul a suportat intervenții (reparații, modificări) din partea unor persoane neautorizate de producător.

Drepturile consumatorului sunt cele prevăzute în OUG nr. 140/2021 și OG 21/1992 (republicată).

În cadrul acestui proces, Arctic vă prelucrează date cu caracter personal, cu respectarea legilor aplicabile privind confidențialitatea și protecția datelor. Pentru informații complete despre modul în care vă prelucreăm datele, precum și despre drepturile dumneavoastră, vă rugăm să consultați secțiunea "Protecția datelor personale", accesând site-ul nostru la adresa <https://www.beko.ro/>.

Si prega di leggere questa guida prima dell'uso!

Gentile Cliente,

Grazie per aver scelto un prodotto Grundig. Vorremmo che da questo prodotto di alta qualità fabbricato con tecnologia all'avanguardia ottenessi l'efficienza ottimale. Prima dell'uso assicurati di aver letto e compreso a fondo questa guida e la documentazione supplementare e conservale come riferimento. Fornisci questa guida con l'unità se la consegni a qualcun altro. Osserva tutte le avvertenze e le informazioni qui contenute e segui le istruzioni.

Tieni presente che questa guida per l'utente può essere applicata a diversi modelli dello stesso prodotto. La guida indicherà chiaramente le variazioni dei diversi modelli.

Simboli e loro significati

In questa guida sono stato utilizzati i seguenti simboli:



Informazioni importanti e consigli utili per l'utilizzo del dispositivo.



ATTENZIONE: Avvertenze su situazioni di pericolo relative alla sicurezza della vita delle persone e delle cose.



Adatto al contatto con gli alimenti.



Non immergere l'elettrodomestico, il cavo di alimentazione o la spina in acqua o altri liquidi.



Attenzione alle superfici calde.



CARTA
RICICLATA &
RICICLABILE

1 Importanti istruzioni di sicurezza e ambientali

Questa sezione contiene istruzioni di sicurezza per prevenire pericoli che possono provocare lesioni o danni materiali. Il mancato rispetto di queste istruzioni invaliderà qualsiasi garanzia.

1.1 Sicurezza generale

- Questo elettrodomestico è conforme alle norme di sicurezza internazionali.
- Questa apparecchiatura è destinata esclusivamente all'uso domestico e alla preparazione di cibi. L'apparecchiatura non è adatta per un uso professionale.
- Questa apparecchiatura non può essere utilizzata da bambini di età compresa tra 0 e 8 anni. L'apparecchiatura può essere utilizzata unicamente da bambini di età pari o superiore a 8 anni, a condizione che siano costantemente sottoposti a sorveglianza. Questa apparecchiatura può essere utilizzata da persone con capacità fisiche, uditive o mentali limitate, oppure prive di esperienza e conoscenza, se sono dotate di supervisione o informazioni sull'uso sicuro e sui rischi incontrati.
- Questo prodotto non è progettato per l'uso commerciale, è destinato all'uso in casa e in applicazioni simili come specificato qui di seguito:
 - Nelle cucine del personale dei negozi, negli uffici e in altri ambienti di lavoro,
 - Nelle fattorie,
 - Negli hotel, da clienti, all'interno di motel e altri ambienti residenziali;
 - In ostelli o ambienti simili.
 - Camere da letto e aree per la colazione
- Sorvegliare i bambini a non giocare con l'apparecchio.
- I bambini non devono occuparsi della pulizia e della manutenzione se non sotto la supervisione di un adulto.
- Tenere il prodotto e il cavo del prodotto fuori dalla portata dei bambini di età inferiore agli 8 anni.
- Posizionare le impugnature degli apparecchi di cottura (ove presenti) in modo che i liquidi caldi non fuoriescano. Collocare gli apparecchi di cottura in posizioni sicure.
- Assicurarsi che la tensione indicata sull'apparecchiatura corrisponda alla tensione di rete della propria

1 Importanti istruzioni di sicurezza e ambientali

abitazione.

- Utilizzare l'apparecchiatura con una presa di terra.
- Non usare l'elettrodomestico con una prolunga.
- Non posizionare l'apparecchiatura sopra o vicino a fonti di calore quali ad esempio forni e stufe.
- Per far sì che il cavo di alimentazione non venga danneggiato, evitare che venga schiacciato, piegato o sfregato su bordi taglienti.
- Non scollegare l'apparecchiatura tirandola per il cavo.
- Non immergere l'apparecchiatura o il suo cavo di alimentazione in acqua.
- Non lasciare l'apparecchiatura incustodita mentre è collegata alla rete elettrica.
- Non smontare l'elettrodomestico.
- Servirsi unicamente di ricambi originali o consigliati dal produttore.
- Scollegare l'apparecchiatura prima della pulizia e asciugare completamente tutte le sue parti dopo la pulizia.
- Pulire l'apparecchiatura attenendosi alle istruzioni nella sezione Pulizia e manutenzione.
- Non inserire grandi pezzi di cibo nell'apparecchiatura in quanto ciò potrebbe provocare un incendio.
- Non toccare la spina dell'apparecchiatura con le mani umide o bagnate.
- Non utilizzare l'apparecchiatura in ambienti umidi.
- Non spostare l'apparecchiatura mentre è in uso e l'olio al suo interno è caldo.
- Non utilizzare l'elettrodomestico in ambienti e sostanze esplosive o infiammabili o nelle loro vicinanze.
- Al fine di evitare il rischio di ustioni, non toccare le superfici calde.
- Far raffreddare l'apparecchiatura in un luogo sicuro, fuori dalla portata dei bambini.
- Non ostruire le aperture di ingresso e uscita dell'aria mentre l'apparecchiatura è in funzione.
- Non sporgersi mentre l'apparecchiatura è in uso. Durante l'uso fuoriesce aria calda dall'apparecchiatura!
- L'apparecchiatura si scalda durante l'uso. Al fine di evitare il rischio di

1 Importanti istruzioni di sicurezza e ambientali

ustioni, non toccare le superfici calde.

- Accertarsi che durante l'uso la stanza sia adeguatamente ventilata.
- In caso di incendio, scollegare l'apparecchiatura.
- Non versare acqua sull'apparecchiatura, dato che ciò potrebbe causare scosse elettriche.
- Non utilizzare l'apparecchiatura con un timer esterno o un sistema di controllo remoto separato.
- Servirsi unicamente di stoviglie in metallo con manici isolati con l'apparecchiatura.
- Non appoggiare nulla sull'apparecchiatura mentre è in funzione oppure è calda.
- Spegnerne il pulsante indicatore per disconnettersi. Quindi, procedere allo scollegamento dell'apparecchiatura.
- Se si conserva il materiale d'imballaggio, tenerlo fuori dal portata dei bambini.
- Se il cavo di alimentazione è danneggiato, deve essere sostituito dal produttore, da un agente dell'assistenza o da una persona qualificata per evitare situazioni di pericolo.

1.1 Conformità alla direttiva WEEE e allo smaltimento dei rifiuti:

Questo prodotto è conforme alla direttiva WEEE dell'UE (2012/19/EU). Questo prodotto reca un simbolo che lo classifica tra i rifiuti di apparecchiature elettriche ed elettroniche (WEEE).



Il simbolo indica che, al termine della sua vita utile, questo prodotto non dovrà essere smaltito insieme ad altri rifiuti domestici. Il dispositivo da smaltire deve essere restituito al punto di raccolta ufficiale per il riciclaggio dei dispositivi elettrici ed elettronici. Per trovare questi punti di raccolta, contattare le autorità locali o il rivenditore presso il quale il prodotto è stato acquistato. Ogni famiglia svolge un ruolo importante nel recupero e nel riciclo dei vecchi elettrodomestici. Uno smaltimento appropriato degli apparecchi usati aiuta a prevenire potenziali conseguenze negative per l'ambiente e la salute umana.

1.2 Conformità con la direttiva RoHS

Il prodotto acquistato è conforme alla Direttiva UE RoHS (2011/65/EU). Non contiene i materiali dannosi e proibiti indicati nella Direttiva.

1.3 Informazioni sull'imballaggio

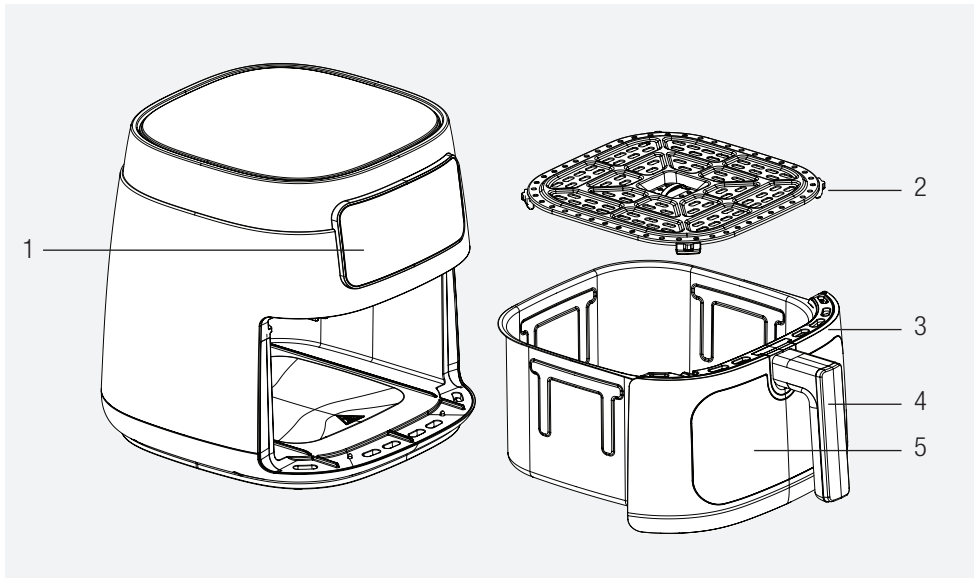


I materiali che compongono l'imballaggio del prodotto sono realizzati a partire da materiali riciclabili in conformità con le nostre Normative Ambientali Nazionali. Non smaltire i materiali dell'imballaggio congiuntamente ai rifiuti domestici o ad altri rifiuti. Portarli nei punti di raccolta del materiale di imballaggio designati dalle autorità locali.

1.4 Punti importanti per il risparmio energetico

Rispettare i tempi consigliati dal manuale durante l'utilizzo dell'apparecchiatura. Scollegare l'elettrodomestico dopo ogni uso.

2 Pentola Less Oil



1. Pannello di controllo digitale
2. Griglia di cottura
3. Cestello di cottura rimovibile
4. Maniglia
5. Camera di cottura illuminata e tracciabile

Dati tecnici

Alimentazione:	220-240V~, 50-60Hz
Consumo energetico	1750 W

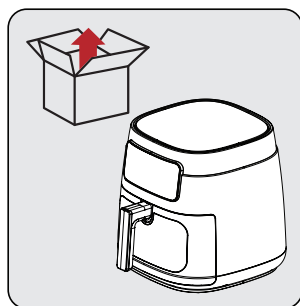
Le indicazioni sull'apparecchiatura oltre che i valori indicati nei documenti forniti in dotazione con il prodotto sono stati ottenuti in condizioni di laboratorio secondo le relative norme. I valori possono variare in base all'uso dell'apparecchiatura e alle condizioni ambientali. I valori di potenza sono stati testati nella tensione di 230 V.

3 Uso previsto

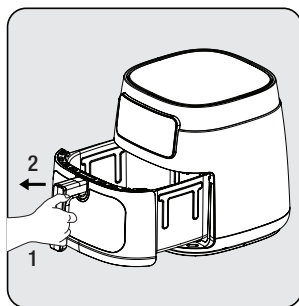
- L'apparecchiatura è destinata esclusivamente all'uso domestico e non è adatta per un uso professionale.
- Quando si utilizza l'elettrodomestico per la prima volta, potrebbe esserci una leggera emissione di fumo. Non si tratta di un'anomalia di funzionamento.

3.1 Preparazione dell'elettrodomestico per l'uso

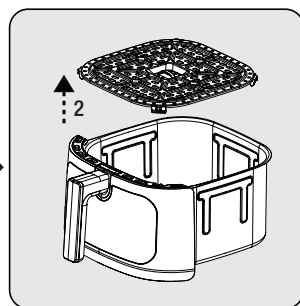
- Utilizzare l'elettrodomestico in posizione verticale su una superficie stabile, piana, pulita, asciutta e non scivolosa.



Prima di iniziare a utilizzare l'apparecchiatura, rimuovere i materiali di imballaggio e posizionare l'apparecchiatura in un'area piana e pulita.



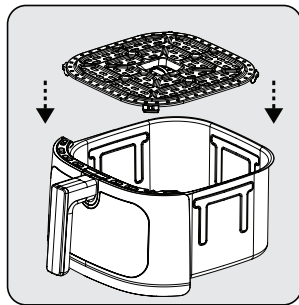
Afferrare saldamente la maniglia (4) per sbloccare il cestello di cottura estraibile (3); quindi estrarre il cestello dal suo alloggiamento.



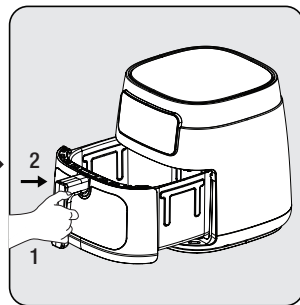
Posizionare il cestello su una superficie piana per staccare la griglia di cottura (2) dal cestello. Rimuovere la griglia di cottura (2) sollevandola dal cestello.



Pulire la griglia di cottura (2) e il cestello di cottura estraibile (3) con acqua calda e sapone, quindi asciugare bene la superficie esterna dell'apparecchio e le parti lavate.



Ci sono 2 tacche su entrambi i lati del manico. Posizionare il cestello nella sua sede allineando le linguette nelle tacche sulla parte superiore del cestello del cestello.

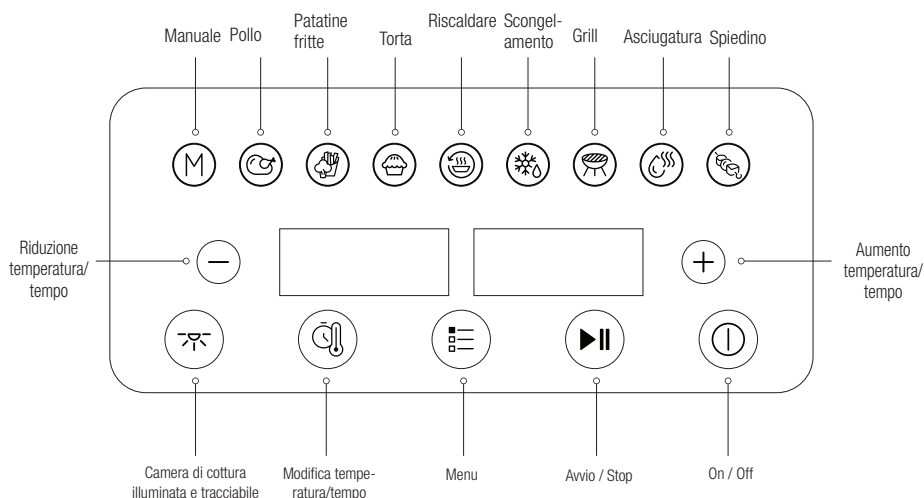


Fissare il cestello all'apparecchiatura dopo aver pulito tutte le parti. L'elettrodomestico è pronto all'uso.



- Per il primo utilizzo, impostare il prodotto alla temperatura più alta e farlo funzionare per circa 10 minuti senza aggiungere alcun alimento.
- Non utilizzare il cestello cestello (6) senza la griglia di cottura estraibile (2).

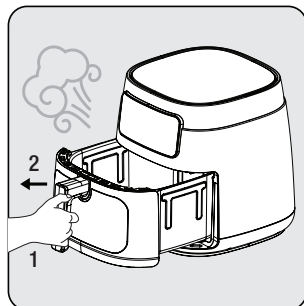
3.2 Pannello di controllo e display LED:



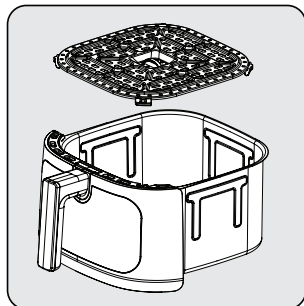
- Premere il simbolo "Menu" fino a trovare il programma desiderato per selezionare un programma. Quando viene trovato il programma desiderato, la spia del programma lampeggerà, premere il simbolo "Avvia" per avviare il programma.
- Quando sul display appare "End", il processo di cottura è terminato e il cestello di cottura deve essere rimosso.
- Il display si spegne quando si estrae il cestello dall'apparecchiatura. L'apparecchiatura riprende a funzionare quando viene riposizionato il cestello di cottura.

3 Utilizzo

3.3 Avvertenze prima di iniziare a usare l'apparecchiatura



Quando il cestello di cottura estraibile (3) viene tirato indietro mentre l'apparecchio è in funzione, dall'uscita dell'aria e dalla parte superiore del cestello fuoriesce vapore caldo. Pertanto, prestare attenzione a non scottarsi con il vapore caldo.



Durante l'utilizzo della griglia di cottura (2) e del cassetto cestello (3) a temperature più elevate, fare attenzione a non entrare in contatto diretto con essi.

3.4 Funzionamento

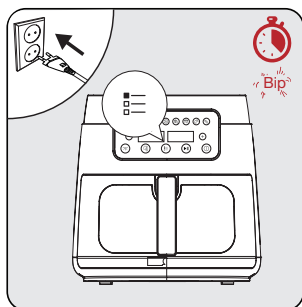
3.4.1 Selezionare e avviare un programma




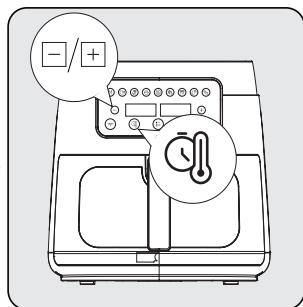
Il display mostra le temperature e i tempi impostati automaticamente in base alle funzioni di cottura selezionate. È possibile modificare queste temperature e tempi come desiderato.

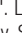
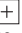


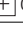
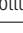


Premere il simbolo di spegnimento se si desidera passare a un altro programma dopo l'avvio del prodotto. Successivamente, premere "Menu"  per selezionare il programma desiderato.




Collegare il prodotto e premere una volta il simbolo di accensione/spegnimento. Viene visualizzato l'intero display di selezione. Premere il simbolo "Menu"  "fino a raggiungere la funzione che si desidera selezionare.

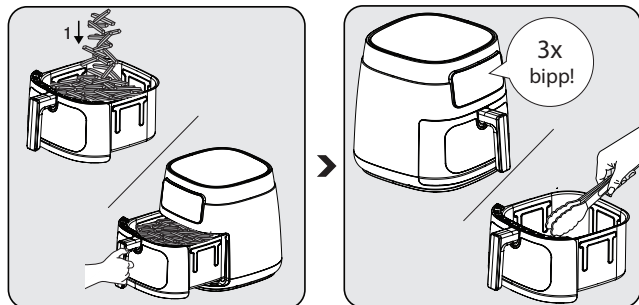




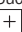

Premere il simbolo di modifica "Temperatura / Tempo" . La temperatura lampeggerà sul display. Sostituire con i simboli o la temperatura desiderata  . Premendo nuovamente il simbolo "Temperatura / Ora" , sul display lampeggerà l'ora. Impostare il tempo di cottura con i simboli  o .



Premere il simbolo "Start/Stop"  e avviare il dispositivo. Posizionare il cibo da cuocere nel cestello di cottura del prodotto. Quando si posiziona il cestello di cottura, sul display apparirà l'ora impostata, escluso il tempo di preriscaldamento, e inizierà il conto alla rovescia.

3.4.2 Impostazione della temperatura e dell'ora



Premere il simbolo  per impostare la temperatura e l'ora. Successivamente, premere il simbolo   per impostare la temperatura e il tempo necessari. Premere il simbolo  per iniziare.

Quando si raggiunge la metà del tempo impostato per il programma, è possibile rimuovere il cassetto del cestello (3) e girare il cibo con un utensile ausiliario (pinze, ecc.).



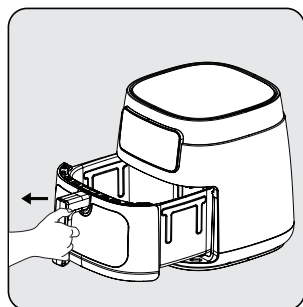
- La griglia di cottura è realizzata in materiale siliconico resistente alle alte temperature che può essere utilizzato per la cottura dei cibi. Fondamentalmente impedisce che il rivestimento del cestello venga graffiato. Pertanto, assicurarsi che non si stacchi durante la cottura.
- Prestare attenzione al vapore caldo che potrebbe fuoriuscire mentre si estrae il cassetto del cestello (3) e non toccarlo a mani nude, perché è molto caldo.
- Quando si rimuovono cibi cotti, utilizzare un utensile (pinze, ecc.) che non danneggi la superficie interna dell'elettrodomestico.

3.5 Cottura

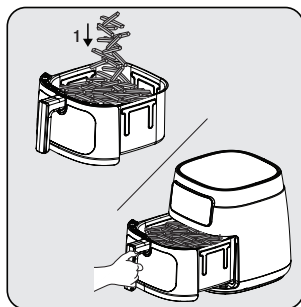
- Frullare il cibo con l'olio prima di inserirlo nel cestello di cottura estraibile (3).



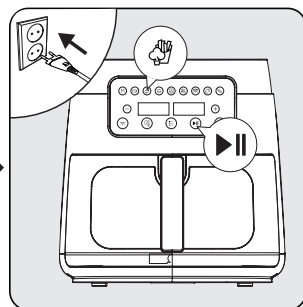
Non tenere il cassetto del cestello (3) e la griglia di cottura rimovibile (2) con qualcosa di diverso dall'impugnatura quando sono caldi.



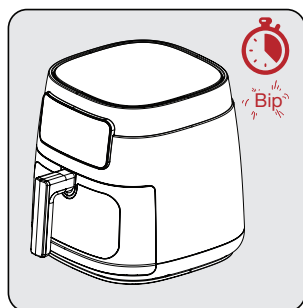
Afferrare saldamente la maniglia per aprire il cassetto del cestello (3); quindi estrarre il cassetto dalla macchina e posizionarlo su una superficie piana e pulita.



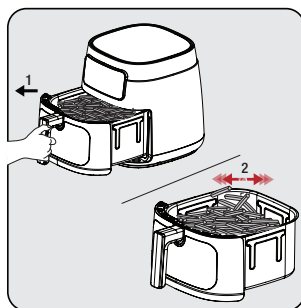
Mettere gli alimenti nel cestello di cottura (3). Fissare quindi il cestello all'apparecchiatura e accertarsi che aderisca alla perfezione.



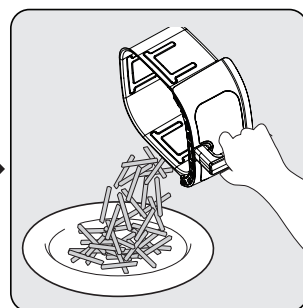
Collegare la propria apparecchiatura e selezionare il programma di cottura desiderato. Quindi, avviare il processo di cottura.



Allo scadere del tempo impostato, verrà emesso un segnale acustico e l'apparecchiatura si spegnerà automaticamente. Quando il programma di cottura è terminato, sul display appare la notifica "Fine". Questa espressione indica che il programma alimentare è terminato.

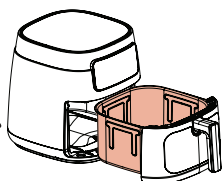


Estrarre il cestello di cottura estraibile (3) e verificare gli alimenti, siano essi fritti, congelati o meno. Se necessita di un tempo di cottura aggiuntivo, è possibile prolungare un po' di più il tempo di cottura.



Al termine del processo, versare gli ingredienti nel cestello in una ciotola o in un piatto.

3 Utilizzo



Evitare il contatto del cestello di cottura con la superficie esterna dell'apparecchiatura, in quanto la superficie del cestello di cottura (5) sarà calda durante e dopo la cottura.



- Lasciare riposare gli alimenti per 5-10 secondi prima di rimuoverli dal cestello di cottura estraibile (5).
- Utilizzare una pinza per estrarre gli alimenti grandi o morbidi dal cestello per non danneggiare la superficie interna dell'apparecchiatura.
- Quando il cibo è pronto, l'elettrodomestico è immediatamente pronto per altro cibo.










Attenzione, l'elettrodomestico potrebbe diventare molto calda durante il processo di rotazione.

4 Tempo di cottura

La tabella seguente fornisce una panoramica dei tempi di cottura per diversi alimenti. Il tempo di cottura varia in base allo spessore e alla consistenza degli alimenti. I tempi e le quantità consigliate sono da considerarsi indicativi.

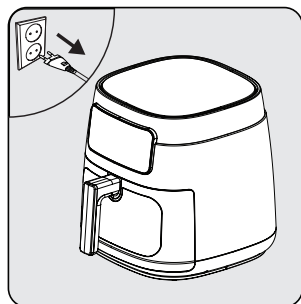
Per ottenere risultati positivi, eseguire un processo di preriscaldamento fino a quando l'apparecchiatura non raggiunge la temperatura consigliata indicata nella tabella prima di passare all'effettivo processo di cottura.

PROGRAMMA	CIBO	QUANTITA'	SIMBOLO	TEMPERATURA	TEMPO (min.) INTERVALLO	MISCELAZIONE / AGITAZIONE
SCONGELAMENTO				80 °C	13-17 min.	2
PATATINE FRITTE	Patata congelata	500 g		200 °C	15-20 min.	4
POLLO	Coscia di pollo	450 g		200 °C	20 minuti	2
GRILL	Hamburger in involtini	500 g		190 °C	15 min.	2
SPIEDINO	Spiedino di pollo	500 g		180°C	15-20 min.	4
TORTA	Muffin	6 tazze per mini muffin		160 °C	20 minuti	X
ASCIUGATURA				70 °C	60-140 min.	X

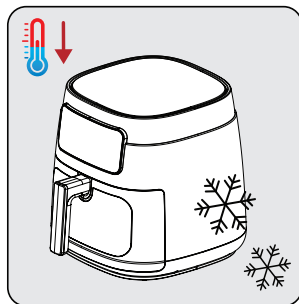
5 Pulizia e manutenzione

5.1 Pulizia

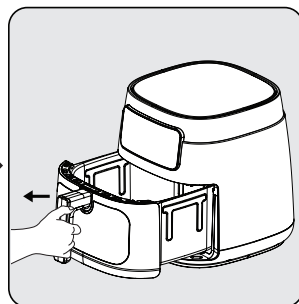
i Non utilizzare benzina, solventi, detersivi abrasivi, oggetti metallici o spazzole dure per pulire l'elettrodomestico.



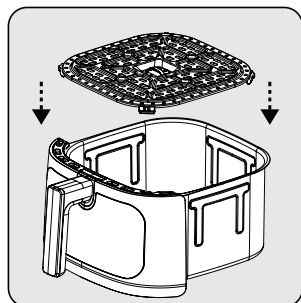
Spegnere l'elettrodomestico e staccare l'alimentazione.



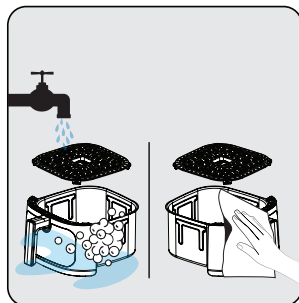
Lasciare raffreddare completamente l'elettrodomestico.



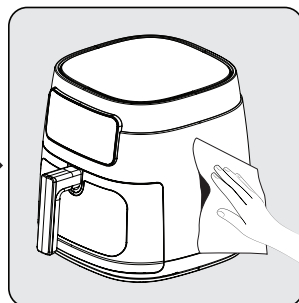
Rimuovere il cestello di cottura (3) dal cassetto.



Rimuovere la griglia di cottura (2) dal cestello afferrando la maniglia e tirandola verso l'alto.



Pulire il cestello di cottura (3) e la griglia di cottura (2) con acqua tiepida e sapone quindi asciugare bene.



Pulire l'esterno dell'elettrodomestico un panno umido. Asciugare completamente l'esterno dell'apparecchiatura.

i Mantenere sempre puliti il fondo del cestello di cottura estraibile (3) e la griglia di cottura (2) per evitare l'accumulo di sostanze estranee.

5.2 Conservazione

- Se non si intende utilizzare l'elettrodomestico per un lungo periodo di tempo, conservarlo con cura.
- Scollegare l'elettrodomestico e lasciarla raffreddare prima di riporlo.
- Conservare l'elettrodomestico in un luogo fresco e asciutto.
- Conservare l'elettrodomestico e il suo cavo di alimentazione fuori dalla portata dei bambini.

5.3 Trasporto e spedizione

- Trasportare l'elettrodomestico nel suo imballo originale durante la movimentazione e il trasporto. L'imballaggio protegge l'elettrodomestico da danni fisici.
- Non appoggiare oggetti pesanti sull'elettrodomestico o sull'imballaggio. L'apparecchiatura potrebbe danneggiarsi.
- In caso di caduta, l'elettrodomestico potrebbe non funzionare o subire danni permanenti.

6 Risoluzione dei problemi

	Problema	Causa	Soluzione
1	Apparecchiatura non funzionante	Interruzioni di corrente	Controllare l'alimentazione e assicurarsi che ci sia alimentazione
		Mancanza di alimentazione o scarso contatto alla presa di corrente	
		Mancata corrispondenza della tensione di alimentazione con la tensione nominale dell'apparecchiatura	
2	Il cibo non è sufficientemente cotto/bruciato	Il tempo di cottura non è corretto	Combina le ricette e la tua esperienza personale per regolare la preparazione e i tempi
3	Emissione di fumo al primo utilizzo	Olio antiruggine rimasto sul riscaldatore dell'apparecchiatura	Impostare la temperatura al massimo ed eseguire un preriscaldamento di 10-15 minuti per rimuovere l'olio antiruggine sul calore dell'apparecchiatura
4	Strano odore	Corpi estranei sul cestello di cottura, sul cassetto del cestello e sul riscaldatore	Rimuovere l'oggetto estraneo
5	E2	NTC in cortocircuito, parti difettose	Inviare il prodotto ad un centro autorizzato per la riparazione
6	E4	NTC in cortocircuito, parti difettose	

Rivolgersi al nostro servizio di assistenza autorizzato per la riparazione, nel caso in cui il problema non possa essere risolto dopo aver eseguito la suddetta supervisione.



CERTIFICATO DI GARANZIA

La presente garanzia commerciale si intende aggiuntiva e non sostitutiva di ogni altro diritto di cui gode il consumatore, intendendo per consumatore esclusivamente colui che utilizza il bene per scopi estranei all'attività imprenditoriale o professionale eventualmente svolta e pertanto per uso domestico/privato, e in particolare non pregiudica in alcun modo i diritti del consumatore stabiliti dal Dlgs 206/05. BEKO Italy S.r.l. in conformità alla facoltà prevista dalla legge, offre al consumatore una garanzia commerciale aggiuntiva, nei termini e nei modi di seguito indicati.

Questo certificato non deve essere spedito per la convalida. E' valido e operante solo se conservato assieme alla ricevuta fiscale o altro documento reso fiscalmente obbligatorio.

Condizioni di Garanzia

1. BEKO Italy S.r.l. garantisce l'apparecchio per un periodo di 2 anni dalla data di acquisto (12 mesi se acquistato con fattura di vendita e non con scontrino fiscale).
2. La garanzia è valida esclusivamente sul territorio italiano compresa la Repubblica di San Marino e la città del Vaticano e deve essere comprovata da scontrino fiscale o fattura, che riporti il nominativo del Rivenditore, la data di acquisto dell'apparecchio nonché gli estremi e i identificativi dello stesso (tipo, modello).
3. Per garanzia s'intende la sostituzione o riparazione gratuita delle parti componenti l'apparecchio che sono risultate difettose all'origine, per vizi di fabbricazione.
4. L'utente decade dai dritti di garanzia se non denuncia il difetto di conformità entro 2 mesi dalla scoperta dello stesso.
5. Diritto di Chiamata: gratuita per i primi 12 mesi di garanzia, a pagamento per gli altri 12 mesi nel caso l'utente non sia in grado di provare che il difetto sia dovuto a vizio di conformità del prodotto.
6. Manodopera e ricambi gratuiti per i 24 mesi del periodo di garanzia.
7. L'intervento di riparazione viene effettuato presso il centro di assistenza reperibile presso il call centre e sul sito www.beko.it, fatto salvo i casi d'impossibilità oggettiva o di forza maggiore.
8. La riparazione o sostituzione dei componenti o dell'apparecchio stesso, non estendono la durata della garanzia.
9. Tutte le parti asportabili e tutte le parti estetiche, non sono coperte da garanzia.
10. Tutti i materiali soggetti ad usura non sono coperti da garanzia a meno che venga dimostrata la difettosità risalente a vizio di fabbricazione delle stesse.
11. La BEKO Italy S.r.l. declina ogni responsabilità per eventuali danni che possano derivare, direttamente od indirettamente, a persone e cose come conseguenza del mancato rispetto delle istruzioni tutte, incluse nell'apposito Manuale per l'uso dell'apparecchio allegato a ciascuno apparecchio, da parte dell'utente ed in particolar modo per quanto concerne le avvertenze relative alla installazione, all'uso ed alla manutenzione dell'apparecchio stesso.
12. La garanzia non diventa operante e l'assistenza sarà effettuata totalmente a pagamento nei seguenti casi:
 - a. Danni dovuti al trasporto o alla movimentazione delle merci.
 - b. Interventi di installazione e montaggio, così come l'errata connessione o errata erogazione dalle reti di alimentazione, mancanza di allacciamento alla presa di terra.
 - c. Installazione errata, imperfetta o incompleta, per incapacità d'uso da parte dell'Utente, se mancano gli spazi necessari ad operare attorno ai prodotti, per eccessiva o scarsa temperatura dell'ambiente,.
 - d. Interventi nei quali non è stato riscontrato il difetto lamentato, o per generici problemi di funzionamento causati da errata impressione del cliente
 - e. Danni causati da agenti atmosferici (fulmini, terremoti, incendi, alluvioni, ecc.)
 - f. Se il numero di matricola risulta asportato, cancellato o manomesso.
 - g. Riparazioni, modifiche o manomissioni effettuate da persone non autorizzate dal produttore o comunque per cause non dipendenti dal prodotto. Per guasti dovuti a mancanza di regolare manutenzione (pulizia e manutenzione del prodotto,).
 - h. Mancanza dei documenti fiscali o se gli stessi risultano contraffatti o non inerenti al prodotto.
 - i. L'uso improprio dell'apparecchio, non di tipo domestico o diverso da quanto stabilito dal produttore, fa decadere il dritto alla Garanzia.
 - j. Per tutte le circostanze esterne che non siano riconducibili a difetti di fabbricazione dell'elettrodomestico.
 - k. Si intendono a pagamento anche tutti gli eventuali trasporti necessari per lo svolgimento degli interventi legati ai casi citati.

Il Servizio Assistenza di BEKO Italy S.r.l. è l'unico autorizzato a riparare i prodotti a marchio BEKO. Per ogni controversia è competente il foro di Milano.

Durante e dopo il periodo di garanzia, vi consigliamo di rivolgervi sempre ai nostri centri di assistenza autorizzati. Per contattare il Centro di Assistenza Tecnica Autorizzato operante nella sua zona chiami il numero unico per l'Italia:

02.03.03

Prima di contattare l'assistenza tecnica, al fine di agevolare la gestione della chiamata, è necessario avere a portata di mano il modello del prodotto e il documento fiscale di acquisto.

.Arçelik A.Ş
,Karaağaç Caddesi No:2-6, 34445
Sütlüce / İSTANBUL / TÜRKİYE
www.beko.com

الحل	السبب	المشكلة	
تحقق من مصدر الطاقة وتأكد من وجود تيار كهربائي	انقطاع التيار الكهربائي	الجهاز لا يعمل	1
	لا توجد كهرباء أو اتصال ضعيف في منفذ الطاقة		
	عدم تطابق جهد مصدر إمداد الكهرباء مع الجهد الاسمي للجهاز		
امزج بين الوصفات وخبراتك الشخصية لضبط الإعداد والتوقيت	وقت الطهي غير صحيح	الطعام غير مطهي بشكل غير كاف/محترق	2
اضبط درجة الحرارة على الحد الأقصى وأجري عملية التسخين المسبق لمدة 10-15 دقيقة لإزالة الزيت المانع للصدأ عندما يسخن الجهاز	توجد بقايا من الزيت المانع للصدأ على سخان الجهاز	انبعاث دخان أثناء الاستخدام لأول مرة	3
قم بإزالة الجسم الغريب	يوجد جسم غريب على سلّة الطهي ودرج السلّة والسخان	رائحة غريبة	4
أرسله إلى الخدمة للإصلاح	حدث قصور في المقاوم الحراري NTC، توجد أجزاء معيبة	E2	5
	حدث قصور في المقاوم الحراري NTC، توجد أجزاء معيبة	E4	6

اتصل بالخدمة المعتمدة لدينا للإصلاح، في حالة تعذر حل المشكلة بعد إجراء الإشراف المذكور أعلاه.

5.2 التخزين

- إذا كنت لا تنوي استخدام الجهاز لفترة أطول، فقم بتخزينه بعناية.
- افصل الجهاز عن الكهرباء واتركه يبرد قبل وضعه بعيدًا.
- قم بتخزين الجهاز في مكان بارد وجاف.
- احتفظ بالجهاز والكابل بعيدًا عن متناول الأطفال.

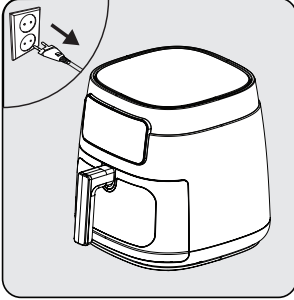
5.3 النقل والشحن

- نقل الجهاز في عبوته الأصلية أثناء المناولة والنقل. العبوة تحمي الجهاز من التلف المادي.
- لا تضع أشياء ثقيلة على الجهاز أو عبوته. قد يتلف الجهاز.
- في حالة سقوط الجهاز، فقد يتوقف عن العمل أو يتعرض لتلف دائم.

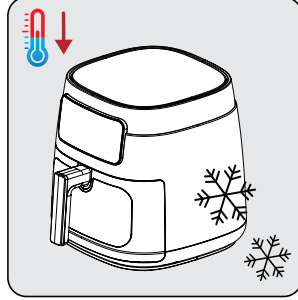
5.1 التنظيف

تجنب تمامًا استخدام البنزين أو المذيبات أو المنظفات الكاشطة أو الأشياء المعدنية أو الفرش الصلبة لتنظيف الجهاز.

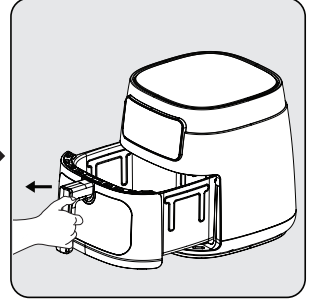
i



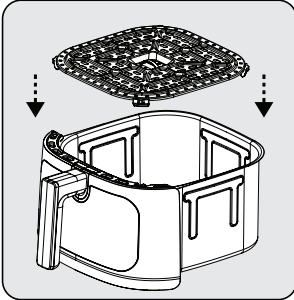
أوقف تشغيل الجهاز وافصله عن مصدر الطاقة.



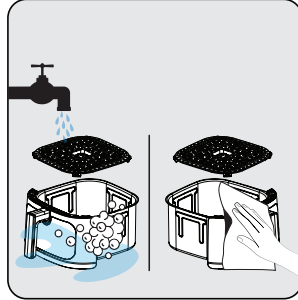
اترك الجهاز ليبرد تمامًا.



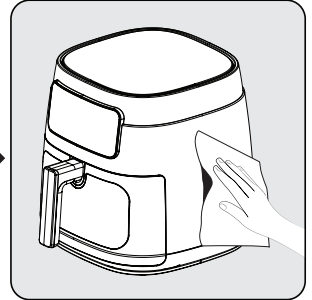
أزل سلة الطهي (3) من الدرج.



أزل شبكة الطهي (2) من السلة عن طريق الإمساك بمقبضها وسحبها لأعلى.



نظف سلة الطهي (3) وشبكة الطهي (2) بالماء الدافئ والصابون ثم جففهما جيدًا.



نظف الجزء الخارجي من الجهاز بقطعة قماش مبللة. جفف الجزء الخارجي من الجهاز تمامًا.

حافظ دائمًا على نظافة قاعدة سلة الطهي القابلة للإزالة (3) وشبكة الطهي (2) لمنع تراكم المواد الغريبة.

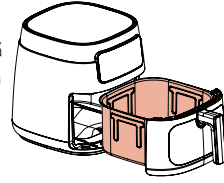
i

يقدم الجدول التالي نظرة عامة على أوقات الطهي للأطعمة المختلفة. يختلف وقت الطهي باختلاف سمك الأطعمة وقوامها. يجب اعتبار الأوقات والكميات الموصى بها تقريبية.

أجري عملية التسخين المسبق للجهاز إلى أن يصل إلى درجة الحرارة الموصى بها المحددة في الجدول قبل عملية الطهي لتحقيق نتائج ناجحة.

البرنامج	الطعام	الكمية	الرمز	درجة الحرارة	الفاصل الزمني (بالدقائق)	الخلط / الهز
إذابة التجمد				80 درجة مئوية	13-17 دقيقة	2
بطاطس مقلية	بطاطس مجمدة	500 جم		200 درجة مئوية	15-20 دقيقة	4
الدجاج	فخذ الدجاج	450 جم		200 درجة مئوية	20 دقيقة	2
الشواية	شطائر اللحم التي على شكل لفائف	500 جم		190 درجة مئوية	15 دقيقة	2
السيخ	سيخ الدجاج	500 جم		180 درجة مئوية	15-20 دقيقة	4
الكيك	مافن	6 قطع كيك مافن صغيرة		160 درجة مئوية	20 دقيقة	X
التجفيف				70 درجة مئوية	60-140 دقيقة	X

تجنب ملامسة سلة الطهي بالسطح الخارجي للجهاز، نظرًا لأن سطح سلة الطهي (5) سيكون ساخنًا أثناء عملية الطهي وبعدها.



- اترك الأطعمة لمدة 10-5 ثوانٍ قبل إخراجها من سلة الطهي القابلة للإزالة (5).
- استخدم الملقط لإخراج الأطعمة الكبيرة أو الطرية من السلة حتى لا تسبب أي ضرر للسطح الداخلي للجهاز.
- عندما تكون دفعة واحدة جاهزة، يكون الجهاز جاهزًا على الفور لدفعة أخرى.



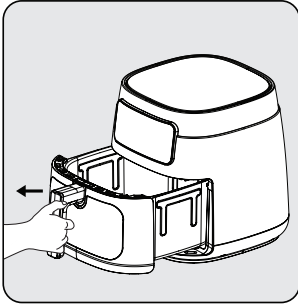
لاحظ أن الجهاز قد يصبح ساخنًا جدًا أثناء عملية التقليل.



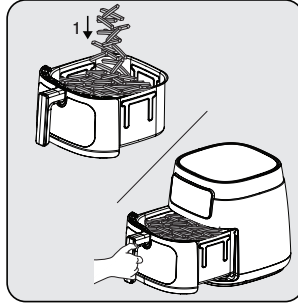
3.5 الطهي

• اخلط الطعام بالزيت قبل وضعه في سلة الطهي القابلة للإزالة (3).

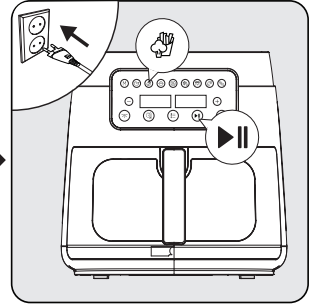
يرجى عدم الإمساك بدرج السلة (3) وشبكة الطهي القابلة للإزالة (2) بأي شيء آخر غير المقبض أثناء سخونتهما.



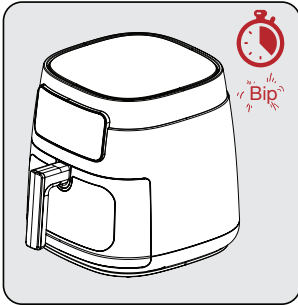
أمسك المقبض بإحكام لفتح درج السلة (3)؛ ثم أخرج الدرج من الجهاز وضعه على سطح مستو ونظيف.



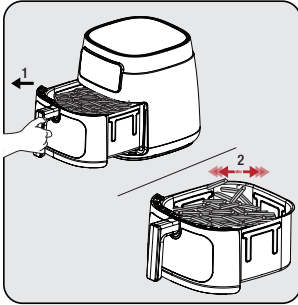
ضع الأطعمة في سلة الطهي (3). ثم ركب السلة بالجهاز وتأكد من تثبيتها بإحكام تمامًا.



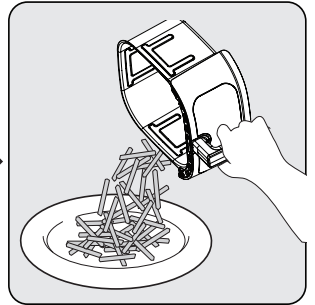
وصّل جهاز بالكهرباء وحدد برنامج الطهي المطلوب. ثم ابدأ عملية الطهي.



ستسمع صوت تحذير عند انتهاء الوقت المحدد ويتوقف جهازك عن العمل تلقائيًا. عند اكتمال برنامج الطهي، يظهر إخطار يشير إلى "انتهاء البرنامج" على الشاشة. يشير هذا التعبير إلى انتهاء برنامج الطهي.

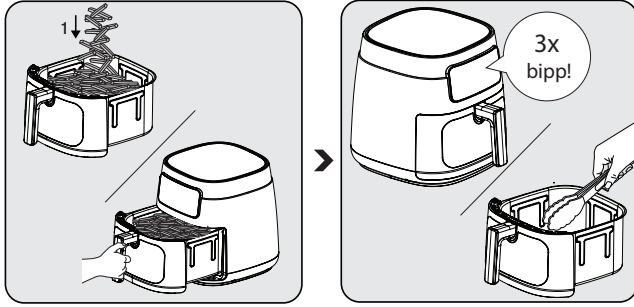


أخرج سلة الطهي القابلة للإزالة (3) وافحص الطعام، سواء كان مغليًا أم مجمدًا أم لا. إذا تطلب الأمر وقتًا إضافيًا للطهي، يمكنك إطالة وقت الطهي قليلًا.



بعد اكتمال العملية، اسكب المكونات الموجودة في السلة في وعاء أو طبق.

3.4.2 ضبط درجة الحرارة والوقت



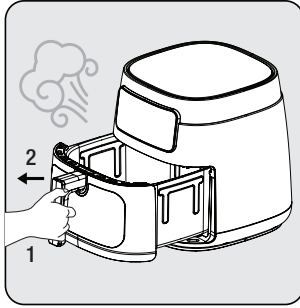
اضغط على الرمز [] لضبط درجة الحرارة والوقت. بعد ذلك، اضغط على الرمز [] لضبط درجة الحرارة والوقت اللازمين. اضغط على الرمز [] للبدء.

عند الوصول إلى نصف الوقت المحدد للبرنامج، في هذه المرحلة، يمكن إزالة درج السلة (3)، ويمكنك تقليب الطعام باستخدام أداة مساعدة (ملقط، وما إلى ذلك).

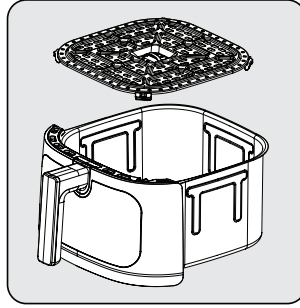
- شبكة الطهي مصنوعة من مادة السيليكون المقاومة للحرارة العالية والتي يمكن استخدامها لطهي الطعام. وتمنع أساساً خدش بطانة السلة. لذلك، تأكد من عدم إتلافها أثناء الطهي.
- توخ الحذر من البخار الساخن الذي قد يخرج أثناء سحب درج السلة (3) للخارج ولا تلمسه بيديك مكشوفتين، لأنه ساخن للغاية.
- عند إزالة الطعام المطهي، استخدم أداة (ملقط، إلخ) لن تضر بالسطح الداخلي للجهاز.



3.3 تحذيرات قبل استخدام الجهاز لأول مرة



سينبعث بخار ساخن من مخرج الهواء وأعلى السلة عند سحب سلة الطهي القابلة للإزالة (3) للخلف أثناء تشغيل الجهاز. لذلك، احرص على عدم التعرض للحرق بفعل البخار عالي الحرارة.



توخ الحذر أثناء استخدام شبكة الطهي (2) ودرج السلة (3) بدرجات حرارة أعلى وتجنب لمسهما مباشرة.

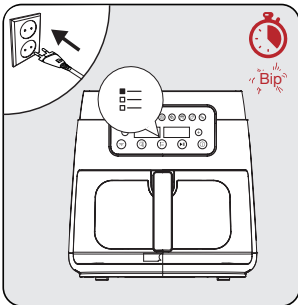
3.4 التشغيل

3.4.1 تحديد البرنامج وبدء تشغيله

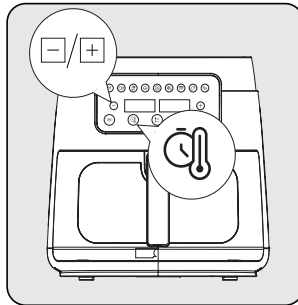
تعرض الشاشة درجات الحرارة والأوقات التي تم ضبطها تلقائيًا وفقًا لوظائف الطهي المحددة. يمكنك تغيير درجات الحرارة والأوقات حسب الرغبة.



اضغط على رمز إيقاف التشغيل إذا كنت تريد التبديل إلى برنامج مختلف بعد بدء تشغيل المنتج. بعد ذلك، اضغط على "Menu (القائمة)" لتحديد البرنامج المطلوب.



وصّل المنتج واضغط على رمز التشغيل / إيقاف التشغيل مرة واحدة. ستظهر شاشة التحديد بالكامل. اضغط على رمز "القائمة" إلى أن تصل إلى الوظيفة التي تريد تحديدها.

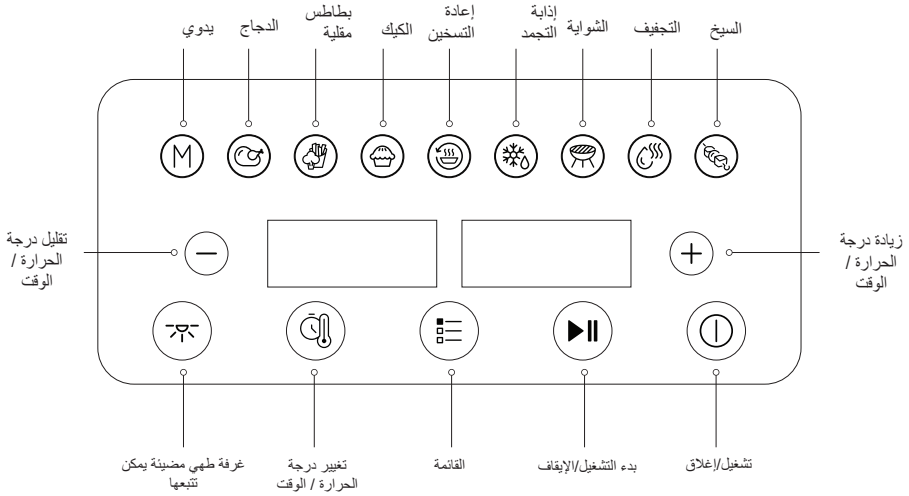


اضغط على رمز تغيير "درجة الحرارة / الوقت". ستومض درجة الحرارة على الشاشة. استبدلها بدرجة الحرارة المطلوبة باستخدام الرمز + أو -. عندما تضغط على رمز "درجة الحرارة / الوقت" مرة أخرى، سيومض الوقت على الشاشة. اضبط وقت الطهي باستخدام الرمز + أو -.



اضغط على رمز "بدء التشغيل / الإيقاف" وأبدأ تشغيل الجهاز. ضع الطعام الذي تريد طهيها في سلة الطهي الخاصة بالمنتج. عندما تضع سلة الطهي في مكانها، سيظهر الوقت الذي حددته على الشاشة، باستثناء وقت التسخين المسبق، وسيبدأ الوقت في العد التنازلي.

3.2 لوحة تحكم وشاشة LED



- اضغط على رمز "Menu (القائمة)" لحين العثور على البرنامج المطلوب لتحديد البرنامج. عند العثور على البرنامج المطلوب، سيومض ضوء البرنامج، اضغط على رمز "Start (بدء التشغيل)" لبدء تشغيل البرنامج.
- عندما يظهر إخطار "انتهاء البرنامج" على الشاشة، تكون عملية الطهي قد اكتملت، ويجب إزالة سلة الطهي.
- تنغلق الشاشة عند إخراج سلة الطهي من الجهاز. ويُستأنف تشغيل الجهاز بعد إعادة وضع سلة الطهي.

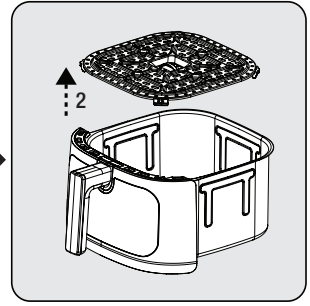
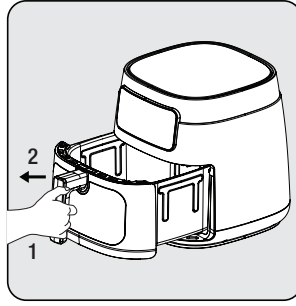
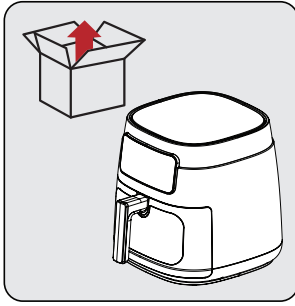
i

3 الاستخدام المخصص

- هذا الجهاز مخصص للاستخدام المنزلي فقط، فهو غير مناسب للاستخدام المهني.
- قد يكون هناك انبعاث طفيف للدخان عند استخدام الجهاز لأول مرة. هذا أمر طبيعي،

3.1 إعداد الجهاز للاستخدام

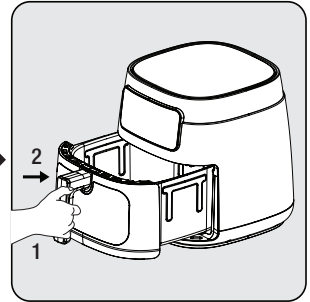
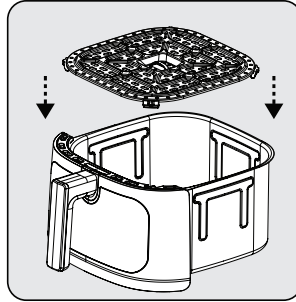
- استخدم الجهاز في وضع عمودي على سطح ثابت ومستوي ونظيف وجاف وغير قابل للانزلاق.



أزل مواد التعبئة والتغليف قبل استخدام الجهاز لأول مرة وضعه في منطقة مسطحة ونظيفة.

أمسك المقبض (4) بإحكام لتحرير سلة الطهي القابلة للإزالة (3)؛ ثم أخرج الدرج من المكان المخصص له.

ضع الدرج على سطح مستوي لفصل شبكة الطهي (2) عن الدرج. أزل شبكة الطهي (2) برفعها من الدرج.



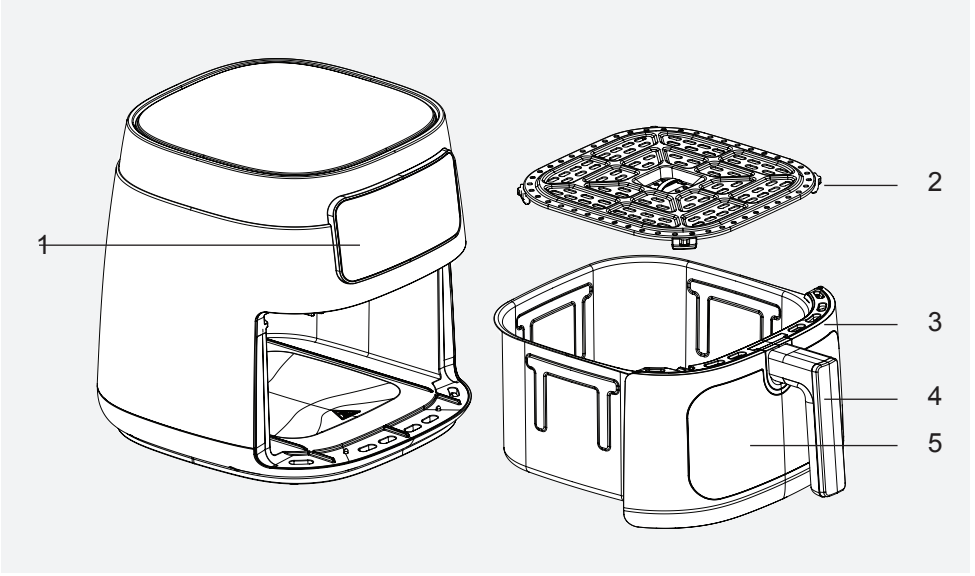
نظف شبكة الطهي (2) وسلة الطهي القابلة للإزالة (3) بالماء الدافئ والصابون، ثم جفف السطح الخارجي للجهاز والأجزاء التي غسلتها جيداً.

يوجد حزان على جانبي المقبض. ضع السلة في المكان المخصص لها عن طريق محاذاة الألسنة في الحزوز الموجودة أعلى درج السلة.

رغب الدرج بالجهاز بعد تنظيف جميع الأجزاء. جهازك جاهز للاستخدام الآن.

- عند الاستخدام لأول مرة، اضبط المنتج على أعلى درجة حرارة وشغله لمدة 10 دقائق تقريباً دون إضافة أي طعام.
- تجنب تماماً استخدام درج السلة (6) دون وجود شبكة الطهي القابلة للإزالة (2).





1. لوحة التحكم الرقمية
2. شبكة الطهي
3. سلة الطهي القابلة للإزالة
4. المقبض
5. غرفة طهي مضبوطة يمكن تتبعها

البيانات التقنية

مصادر الطاقة	220-240 فولت تقريباً، 50-60 هرتز
استهلاك الطاقة	1750 واط

إن العلامات الموجودة على الجهاز والقيم المحددة في المستندات المقدمة مع المنتج جرى الحصول عليها في ظل ظروف معملية وفقاً للمعايير ذات الصلة. قد تختلف القيم حسب استخدام الجهاز والظروف المحيطة. لقد خضعت قيم الطاقة للاختبار في جهد 230 فولت.

مؤهل بنفس الدرجة لتجنب المخاطر المحتملة.

1.1 الامتثال للتوجيهات الخاصة بنفايات الأجهزة والتخلص منها:

هذا المنتج متوافق مع توجيهات المنتج (2012/19/EU) WEEE. يحمل هذا المنتج رمز تصنيف التخلص من الأجهزة الكهربائية والإلكترونية (WEEE).

يشير هذا الرمز إلى أنه لا يجب التخلص من هذا المنتج مع النفايات المنزلية الأخرى في نهاية عمره التشغيلي. يجب إعادة الجهاز المستخدم إلى نقطة التجميع الرسمية لإعادة تدوير الأجهزة الكهربائية والإلكترونية. للعثور على أنظمة التجميع هذه، يرجى الاتصال بالسلطات المحلية أو بائع التجزئة الذي تم شراء المنتج منه. تؤدي كل أسرة دورًا مهمًا في استعادة وإعادة تدوير الأجهزة القديمة. حيث يساعد التخلص المناسب من الأجهزة المستخدمة على منع النتائج السلبية المحتملة على البيئة وصحة الإنسان.



1.2 الامتثال لتوجيهات حظر المواد الخطرة:

هذا المنتج متوافق مع توجيهات المنتج (2011/65/EU) RoHS. وهو لا يحتوي على مواد ضارة أو محظورة محددة في التوجيهات.

1.3 معلومات التغليف

تم تصنيع مواد تغليف المنتج من مواد قابلة لإعادة التدوير طبقًا لأنظمة البيئة الوطنية. لا تتخلص من مواد التغليف مع النفايات المنزلية وغيرها. قم بنقلها إلى نقاط تجميع مواد التغليف المحددة من قبل السلطات المحلية.



1.4 نقاط مهمة بخصوص توفير الطاقة

التزم بالأوقات الموصى بها في الدليل أثناء استخدام الجهاز. افصل الجهاز بعد كل استخدام.

- لا تفصل الجهاز عن طريق سحب السلك.
- لا تغمر الجهاز أو سلك الطاقة في الماء لتنظيفه.
- يحظر ترك الجهاز بدون مراقبة أثناء تشغيله.
- لا تقم بتفكيك الجهاز.
- لا تستخدم سوى الأجزاء الأصلية أو الأجزاء التي يُوصي بها المُصنِّع.
- افصل الجهاز عن الكهرباء قبل التنظيف وجفف جميع الأجزاء تمامًا بعد التنظيف.
- نظف الجهاز وفقًا للإرشادات الواردة في قسم التنظيف والصيانة.
- لا تضع قطعًا كبيرة من الطعام داخل الجهاز لأنها قد تتسبب في نشوب حريق.
- لا تلمس قابس الجهاز إذا كانت يديك رطبة أو مبتلة.
- لا تضع الجهاز في أماكن رطبة.
- لا تحرك الجهاز أثناء استخدامه والزيوت بداخله ساخن.
- لا تستخدم الجهاز في بيئات ومع مواد قابلة للانفجار أو الاشتعال أو بالقرب منها.
- لا تلمس الأسطح الساخنة لتجنب خطر الإصابة بحروق.
- دع الجهاز يبرد في مكان آمن بعيدًا عن متناول الأطفال.
- لا تسد فتحتي مدخل الهواء ومخرجه أثناء تشغيل الجهاز.
- لا تنحني أثناء استخدام الجهاز. الهواء الساخن يتصاعد من الجهاز أثناء الاستخدام!
- يصبح الجهاز ساخنًا أثناء الاستخدام. لا تلمس الأسطح الساخنة لتجنب خطر الإصابة بحروق.
- تأكد من أن الغرفة جيدة التهوية أثناء الاستخدام.
- افصل الجهاز عن الكهرباء في حالة نشوب حريق.
- لا تقم بصب الماء على الجهاز، فقد يتسبب ذلك في حدوث صدمة كهربائية.
- لا تستخدم المنتج مع مؤقت خارجي أو نظام تحكم عن بعد منفصل.
- لا تستخدم سوى أدوات المطبخ المعدنية ذات المقابض المعزولة مع الجهاز.
- لا تضع أي شيء فوق الجهاز أثناء تشغيله أو إذا كان ساخنًا.
- أوقف تشغيل زر المؤشر للفصل. ثم افصل الجهاز عن التيار الكهربائي.
- إذا احتفظت بمواد التغليف، فاحفظها بعيدًا عن متناول الأطفال.
- إذا كان سلك الطاقة تالفًا، يجب استبداله من الشركة المُصنِّعة أو وكيل خدمة لديها أو أي شخص

- يحتوي هذا القسم على تعليمات خاصة – في المنازل الريفية،
- بالسلامة للوقاية من المخاطر التي يمكن – لنزلاء الفنادق والنزل ومرافق أن تؤدي إلى الإصابة أو تلف الممتلكات. الإقامة الأخرى؛
- يؤدي عدم اتباع هذه التعليمات إلى بطلان الضمان.
- في مساكن الشباب المشتركة أو البيئات المماثلة.

1.1 السلامة العامة

- يتوافق هذا الجهاز مع معايير السلامة الدولية.
- هذا الجهاز مخصص للاستخدام المنزلي وتحضير الطعام فقط، وغير مناسب للاستخدام المهني.
- لا يمكن للأطفال الذين تتراوح أعمارهم بين 0-8 سنوات استخدام هذا الجهاز. يُسَمَح للأطفال الذين تبلغ أعمارهم 8 سنوات وأكثر باستخدام هذا الجهاز، بشرط ضمان خضوعهم للمراقبة المستمرة. يُسَمَح للأشخاص الذين يعانون من ضعف في مهاراتهم البدنية أو السمعية أو العقلية أو تقصيرهم الخبرة والمعرفة باستخدام هذا الجهاز، بشرط ضمان الإشراف عليهم أو تزويدهم بالمعلومات اللازمة بخصوص الاستخدام الآمن له والمخاطر التي قد يواجهونها.
- هذا المنتج غير مصمم للاستخدام التجاري، فهو مخصص للاستخدام في المنزل وفي الاستخدامات التالية:
- في مطابخ الموظفين بالمخازن والمكاتب وبيئات العمل الأخرى،
- في غرف النوم وأماكن الإفطار
- يتم الإشراف على الأطفال لعدم العبث بالجهاز.
- ينبغي عدم السماح للأطفال بإجراء أعمال التنظيف والصيانة التي يُجريها المُستخدِم ما لم يخضعوا لإشراف شخصٍ بالغ.
- احتفظ بالمنتج وكابله بعيدًا عن متناول الأطفال دون سن 8 سنوات.
- اضبط موضع مقابض أجهزة الطهي (إن وجدت) بحيث لا تنسكب السوائل الساخنة وضعها في مكان آمن.
- تأكد من أن الجهد الموضح على الجهاز هو نفس الجهد الكهربائي في منزلك.
- استخدم الجهاز في مقبس مؤرض.
- لا تستخدم الجهاز بسلك تطويل.
- لا تضع جهازك على مصادر الحرارة مثل الأفران والمواقد أو بالقرب منها.
- لمنع تلف سلك الطاقة، احرص على حمايته من الانضغاط أو التجعيد أو الاحتكاك بالحواف الحادة.

يُرجى قراءة هذا الدليل أولاً!

عميلنا العزيز،
شكراً لكم على اختيار إحدى منتجات جرونديج. نتمنى لكم تحقيق الاستفادة المثلى من هذا المنتج عالي الجودة والذي استُخدم في تصنيعه أحدث التقنيات. يُرجى التأكد من قراءة هذا الدليل والوثائق الملحقة بالكامل وفهمها جيداً قبل استخدام المنتج، مع الاحتفاظ بهذا الدليل كمرجع. يُرجى إرفاق هذا الدليل مع المنتج في حالة تسليمه إلى شخص آخر. التزم بجميع التحذيرات والمعلومات الواردة هنا واتبع التعليمات.
تذكر أن دليل المستخدم هذا قد ينطبق على عدة موديلات. يشير الدليل بوضوح إلى أية اختلافات في الموديلات.

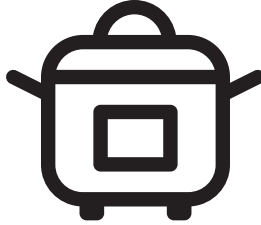
الرموز ومعانيها

تُستخدم هذه الرموز في هذا الدليل:

معلومات مهمة ونصائح مفيدة بخصوص استخدام الجهاز.	
تحذير: تحذيرات بخصوص المواقع الخطرة المتعلقة بسلامة الحياة والممتلكات.	
مناسب لملامسة الطعام.	
لا تغمر الجهاز أو سلك الطاقة أو القابس في الماء أو أي سائل آخر.	
تحذير من الأسطح الساخنة.	

beko

مقلاة الهواء الساخن دليل المُستخدم



FRL 3374 B

AR

