



Cordless Stick Vacuum Cleaner

User Manual



VRT 74225 VI

EN - FR - RO - PL - IT - SR



01M-8912593200-4522-02

Please read this guide first!

Dear Customer,

Thank you for choosing a Beko product. We would like you to achieve the optimal efficiency from this high quality product which has been manufactured with state of art technology. Please make sure you read and understand this guide and supplementary documentation fully before use and keep it as a reference. Include this guide with the unit if you hand it over to someone else. Observe all warnings and information herein and follow the instructions.

Symbols and their meanings

These symbols are used throughout this guide:



Important information and useful hints about usage.



WARNING: Warnings against dangerous situations concerning the security of life and property.



Electric shock protection rating

CONTENTS

ENGLISH	03-18
FRANÇAIS	19-34
ROMANIAN	35-54
POLSKI	55-72
ITALIANO	73-89
SRPSKI	90-105

1 Important safety and environmental instructions

This section contains safety instructions to prevent hazards that can result in injury or property damage.

Any warranty is void if these instructions are not followed.

1.1 General safety

- This appliance complies with international safety standards.
- This device can be used by children over 8 years of age, people with physical, sensory or mental challenges or people with lack of experience or knowledge; as long as control is ensured or information is provided regarding the hazards. Children must not play with the appliance. Cleaning and user maintenance shall not be carried out by unattended children.
- Do not use the appliance if the power cord or the appliance is damaged. Contact authorized service.
- Your mains power supply shall match the information shown on the rating plate label of the appliance.
- Do not use the appliance with an extension cord.
- To prevent damage to the power cord, prevent it from being pinched, crimped or rubbed against sharp edges.
- Do not touch the plug of the appliance with damp or wet hands while the appliance is plugged in.
- Do not pull on the cord while unplugging the appliance.
- Do not vacuum flammable materials and ensure that the cigarette ashes are cooled down before vacuuming them.
- Do not vacuum water and other fluids.
- Protect the appliance against precipitation, humidity and heat sources.
- Do not use the appliance in or near explosive or flammable environments and substances.
- Unplug the appliance before cleaning and maintenance.
- Do not immerse the appliance or its power cord in water for cleaning.

1 Important safety and environmental instructions

- Do not disassemble the appliance.
- Use only original parts or parts recommended by the manufacturer.
- To prevent blockage of the filter or damage to the motor, do not vacuum cement, plaster or fragments of compressed paper.
- Use the appliance with the adapter delivered with the appliance only.
- Do not use the appliance without filters, it may get damaged.
- If you keep the packaging materials, keep them out of the reach of children.
- This appliance is not intended to be used by persons, including children, with physical, sensory and mental disabilities or those who have not adequate experience and knowledge regarding its use, unless they are under the supervision of a person responsible for their safety or they are informed about the operation of the appliance.
- Children shall be supervised to prevent them from playing with the appliance.
- Unplug the adaptor and remove the battery pack before any cleaning or maintenance procedure.
- To avoid any risk of hazard, a damaged adaptor shall be replaced by the manufacturer, the authorized representative of the manufacturer or a similarly qualified technician.
- Keep your fingers, hair and loose clothes away from moving parts or clearances while vacuuming.
- Batteries shall be removed from the appliance before discarding the appliance.
- Disconnect the appliance from power supply before removing the battery.
- Please discard used batteries in accordance with local laws and regulations.
- The batteries included in this appliance may only be replaced with qualified persons.
- Appliance is not intended to be operated for commercial purposes. This appliance is not designed for commercial use, it

1 Important safety and environmental instructions

is intended for home use and in applications as follows:

- In the staff kitchens of the stores, offices and other working environments
 - In farm houses;
 - By customers in hotels, motels or other accommodation facilities
 - In hostels or similar environments.
- **WARNING:** Use the HCX1501-3200450E removable supply unit delivered with the appliance to charge to the battery.
 - This appliance shall not be operated by children and people with limited physical, sensory and cognitive skills or people with lack of experience and knowledge unless they are under supervision or they are provided with the relevant instructions.
 - Children shall be supervised to prevent them from playing with the appliance.

1.2 Compliance with the WEEE Directive and disposal of the waste product



This product complies with EU WEEE Directive (2012/19/EU). This product bears a classification symbol for waste electrical and electronic equipment (WEEE). This symbol indicates that this product shall not be disposed with other household wastes at the end of its service life. Used device must be returned to official collection point for recycling of electrical and electronic devices. To find these collection systems please contact to your local authorities or retailer where the product was purchased. Each household performs important role in recovering and recycling of old appliance. Appropriate disposal of used appliance helps prevent potential negative consequences for the environment and human health.

1.3 Packaging information



Packaging materials of the product are manufactured from recyclable materials in accordance with our National Environment Regulations. Do not dispose of the packaging materials together with the domestic or other wastes. Take them to the packaging material collection points designated by the local authorities.

1.4 Information on waste batteries



This symbol on the packaging of the packaging related with rechargeable batteries indicates that the rechargeable battery shall not be disposed of with domestic waste. A chemical symbol may accompany this symbol on some rechargeable batteries.

And mercury (Hg) and lead (Pb) symbols may also be added if the rechargeable batteries contain more than %0.0005 mercury and more than %0.004 lead content.

Rechargeable batteries shall not be disposed of with household waste even if they do not contain heavy metals. Always discard the used batteries as per local environmental legislation. Investigate the waste disposal regulations in effect in your area of residence.

1 Important safety and environmental instructions

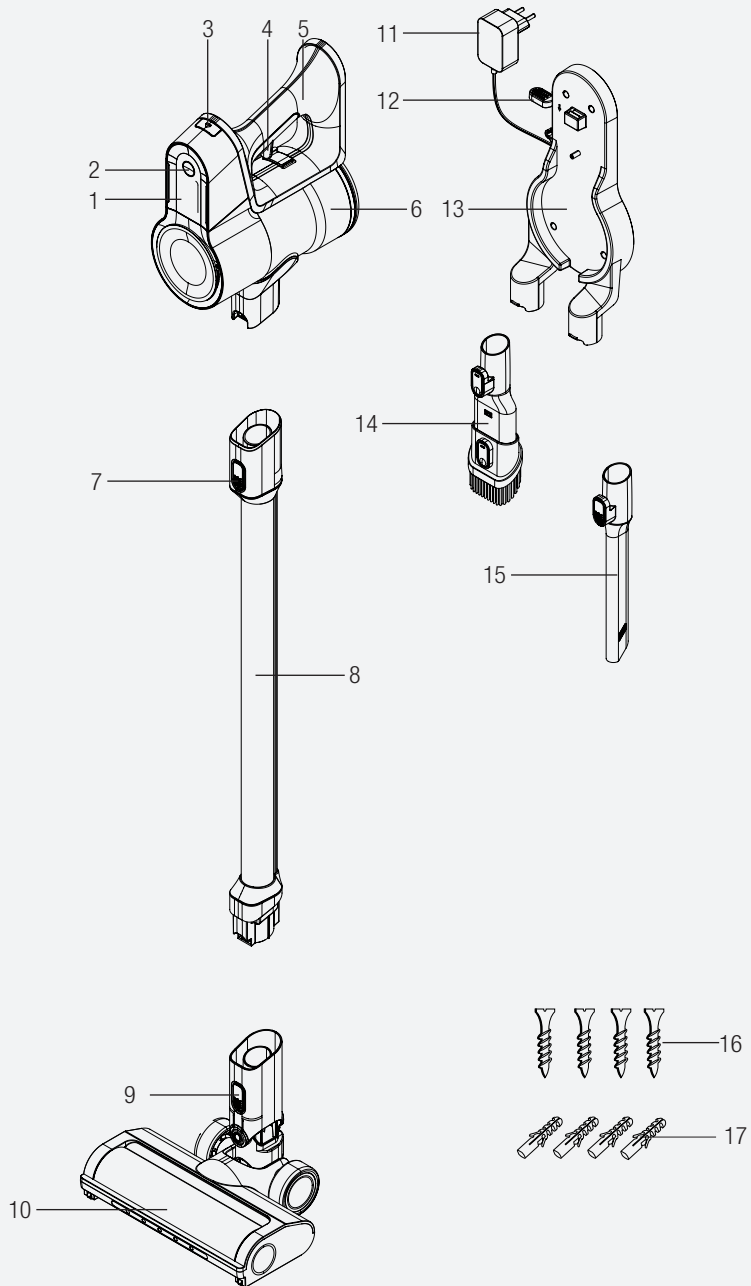
1.5 What to do for energy saving

- When using your appliance, adjust the speed settings according to the surface, in order to save energy.
- Normally, lower speeds are used when cleaning hard surfaces, curtains and sofas, while high speeds are used in for cleaning carpets.

1.6 Compliance with RoHS Directive

The product you have purchased complies with EU RoHS Directive (2011/65/EU). It does not contain harmful and prohibited materials specified in the Directive.

2 Overview




2 Overview

2.1 Controls and components

1. LED screen
2. Speed level adjustment button
3. Battery pack release button
4. On/off button
5. Handle
6. Dust container
7. Tube release button
8. Tube
9. Electrical turbo brush release button
10. Electrical turbo brush
11. Charging adaptor
12. Appliance release button
13. Charging dock
14. Combination tool
15. Crevice
16. Screw (4 pcs)
17. Dowel (4 pcs)

2.2 Technical data

	350 W
Input	100 - 240 V~ 50-60 Hz 0,5 A
Output	32 V  0.45 A
Charging time	4-6 hours
Runtime at max. power	10 mins
Runtime at mid power	20 mins
Runtime at min. power	45 mins

The rights to make technical and design changes are reserved.

The values provided with the appliance or its accompanying documents are laboratory readings in accordance with the respective standards. These values may differ depending on the use and ambient conditions.

2 Overview

External Power Supply Parameter

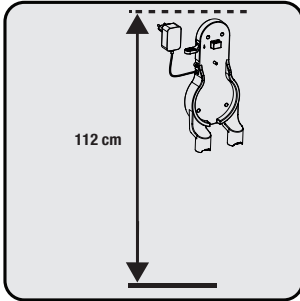
Manufacturer:	Guangdong Huachuangxing Power Supply Co.,Ltd
Model ID:	HCX1501-3200450E
Input Voltage:	100-240V~
Input Frequency:	50-60Hz
Input Current:	0.5A
Output Voltage	32.0V
Output Current	0.45A
Output Power:	14.4W
Average active efficiency:	85.5%
Efficiency at low load (10%):	83.33%
Power consumption under no load:	0.041W

3 Installation

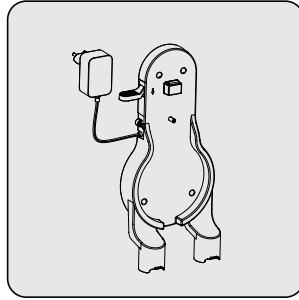
3.1 Intended use

This appliance is intended for household use and it is not suitable for industrial use.

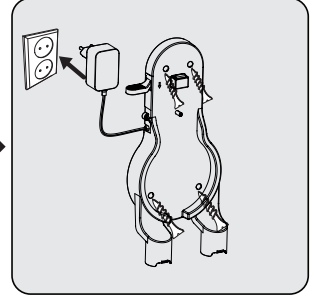
3.2 Installation of the charging dock



Position the charging dock at a height of minimum 112 cm from the ground.

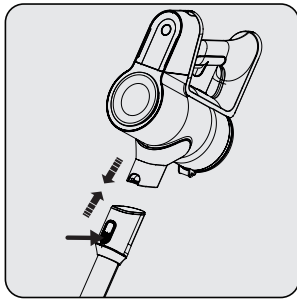


1- Fix four dowels on the wall
2- Place four screws into their locations on the charging dock and mount on the dowels on the wall.

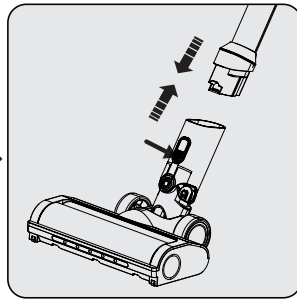


Plug the charging adaptor to the socket.

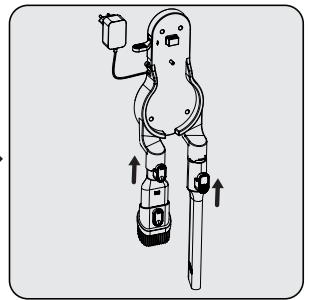
3.3 Installation of the body and the brush



Push the tube in the direction of arrow towards the body by pushing on the tube release button.



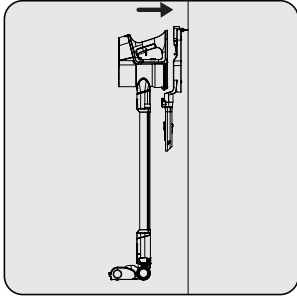
Press the electric turbo brush release button on the electric turbo brush and push it in the direction of arrow towards the tube.



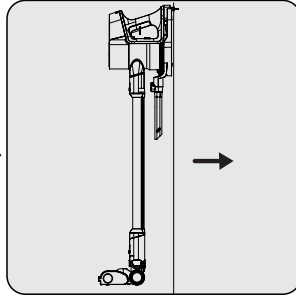
Attach crevice attachment and combination tool to the charging dock.

4 Operation

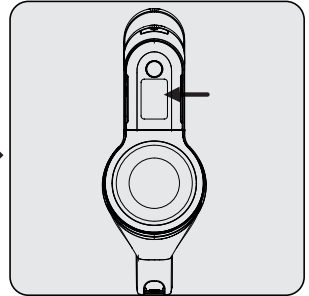
4.1 Charging the appliance



Place the appliance on the charging dock.
After placing dust container on the charging dock, push the appliance towards the charging dock.



Plug the charging adaptor to the socket.



When you place appliance to the charging dock, it starts to charge and the battery charge percentage shall be displayed on the screen. Percentage (%) are increased as the appliance is charged.

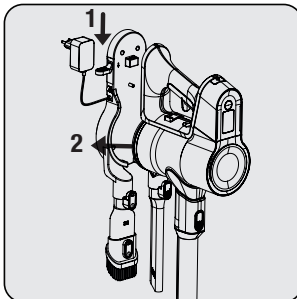


It takes up to 4 to 6 hours to charge the appliance completely. The appliance shall not be operated while charging.

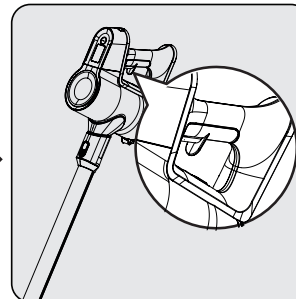


If the appliance is placed on the charging dock while it is being operated, it shall be stopped automatically.

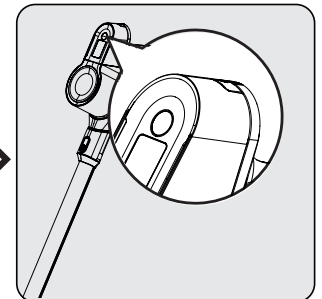
4.2 Usage



1- Push the appliance release button on the charging dock downward and pull the appliance towards yourself at the same time.
2- Remove the appliance from the charging dock.



Press the on/off button to operate the appliance. The appliance starts operating with the minimum power when the on/off button is pressed.

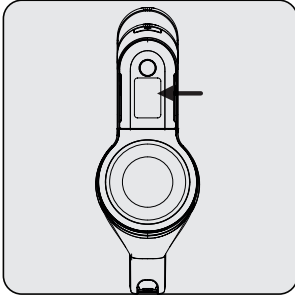


To adjust the speed level, push the button. On the screen, which suction mode is being used will be shown as min, mid and high. By pressing the button, the speed level can be adjusted.

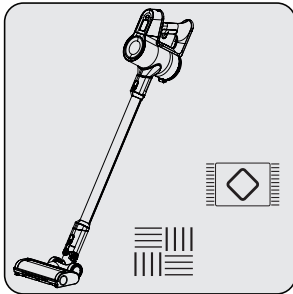
4 Operation



The appliance may be placed for charging before the complete discharging of the battery. The appliance may be kept continuously as charging on the charging dock until the next operation.



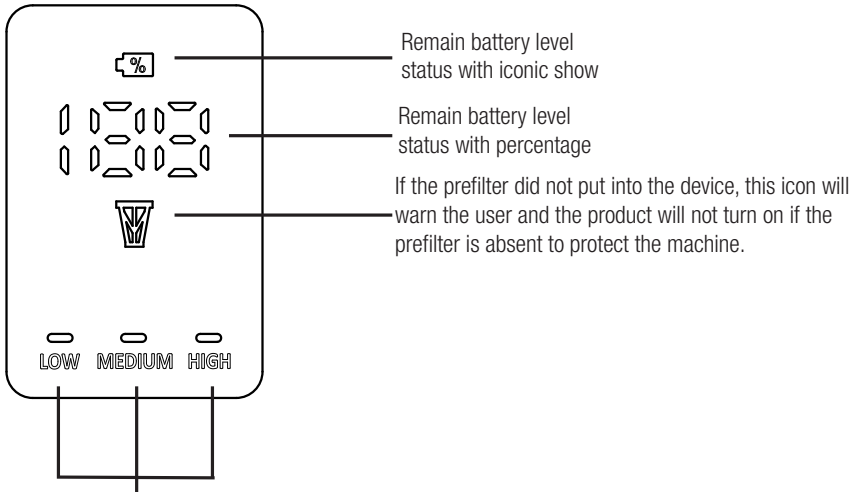
Pay attention to the battery level percentage during operation. Battery level percentage should be tracked during usage when it is empty, the appliance stops operating automatically.



This appliance is suitable for use on carpets and hard floors.

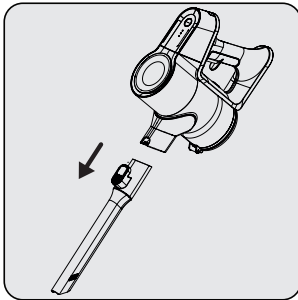
4 Operation

4.3 LED screen indicators

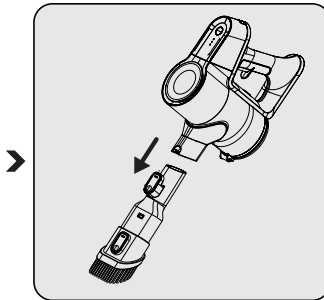


Those icons will show the suction mode which is being used.

4.3 Accessories



Crevice: Suitable for vacuuming the rear of the furnitures, hard to reach areas and narrow areas.



Combination tool: Suitable for vacuuming curtains, sofas, waxed furniture and delicate and fragile objects.

5 Cleaning and maintenance

Turn off and unplug the appliance before cleaning.



WARNING: Never use gasoline, solvent, abrasive cleaners, metal objects or hard brushes to clean the appliance.



WARNING: Deformation may occur on the filters within time as a result of usage. It shall be replaced with a new one to prevent loss of performance. Contact with the customer services to buy a new one.

5.1 Cleaning the Dust container and Filters



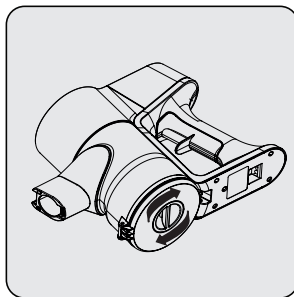
WARNING: Do not wash the filters.



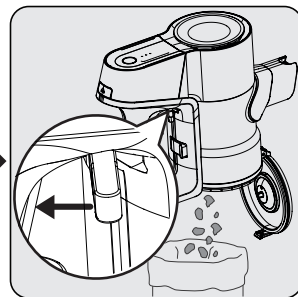
We recommend you to clean the dust container after each operation.



Wipe the surface of the body with a wet cloth.

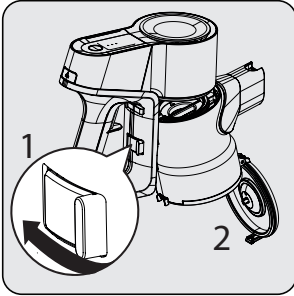


In order to operate the product at high performance for a long time, it may be necessary to clean the filter by rotating the mechanism under the dust container. It will help to clean the filter easily.

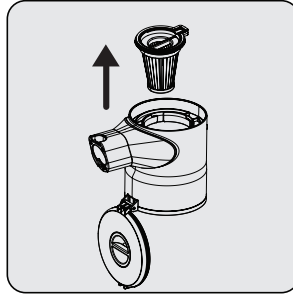


Pull the emptying dust container trigger to the last point. Dust container lid will be opened. Empty all the dust it contains.

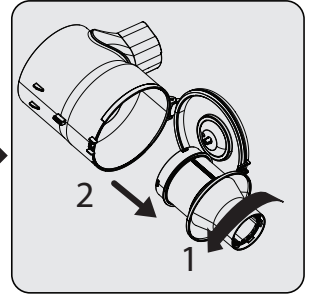
5 Cleaning and maintenance



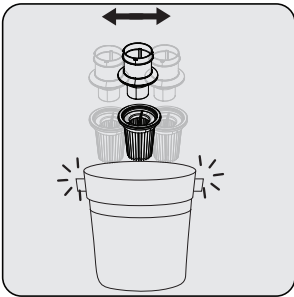
For a detailed cleaning of filters, remove the dust container by pushing the button to the left side.



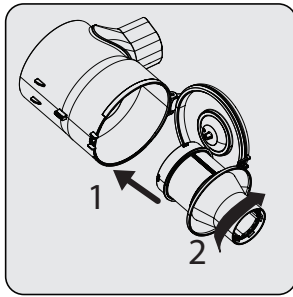
Separate pre-filter and plastic filter from each other.



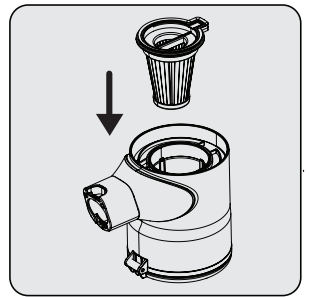
To take out the plastic filter, first rotate the plastic filter counter clockwise (1), then pull out the filter (2).



Remove the dust on the pre-filter and the plastic filter by tapping it on a hard surface such as a waste bin or by using a brush.

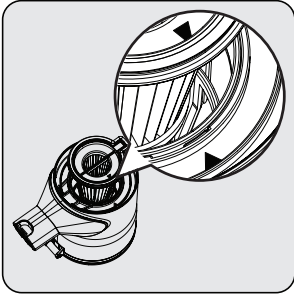


To insert the plastic filter, firstly place the plastic filter (1), then rotate it clockwise to lock it (2).

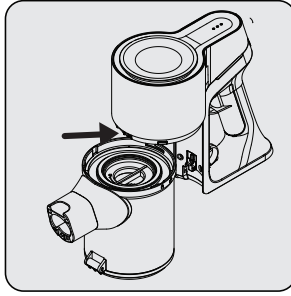


Attach pre-filter to the plastic filter back.

5 Cleaning and maintenance



While placing the pre-filter, make sure that arrows on the pre-filter and the body are aligned.

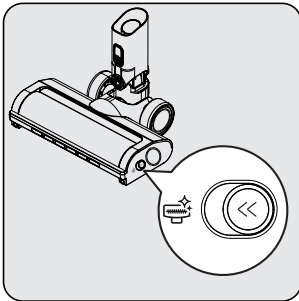


Fix the connector of dustbin to the holes on the body, then fix the dustbin until you hear the click sound.

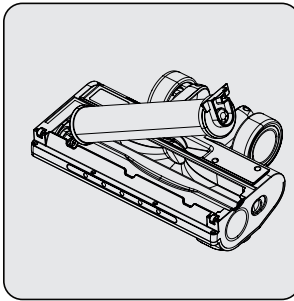
5.2 Cleaning of the brush



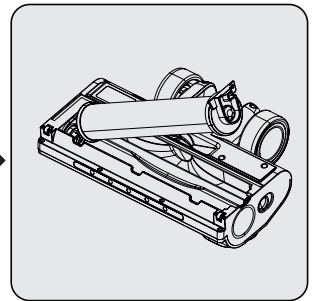
WARNING: Do not wash the turbo brush and the main roller.



Push the roller release button to the left side.



Remove the dust on it by tapping it lightly to a hard surface or remove the dust with a brush. If any hair, etc. is tangled, remove it by cutting it off.



Fix the roller back to its place by pushing.

5 Cleaning and maintenance

5.3 Storage

- If you do not intend to use the appliance for a long time, store it carefully.
- Unplug the appliance.
- Ensure that the appliance is kept out of reach of children.
- If you shall not be using the battery for a long period of time, please keep it in a cool and dry place at half charged condition. Do not charge or discharge completely.
- Store the battery on a non-conducting material, and do not allow the battery to contact metal directly. This shall damage the battery.

5.4 Transport and shipping

- During transport and shipping, carry the appliance with its original packaging. The packaging of the appliance will protect the appliance against physical damage.
- Do not put heavy objects on the appliance or its packaging. Otherwise the appliance may be damaged.
- If the appliance is dropped, the appliance may not operate or permanent damage may occur.




Veillez d'abord lire ce manuel !



Cher/Chère client(e),




Merci d'avoir choisi un produit Beko. Nous aimerions que vous obteniez une efficacité optimale de ce produit de haute qualité qui a été fabriqué avec une technologie de pointe. Assurez-vous d'avoir bien lu et compris ce guide et la documentation complémentaire avant de les utiliser et conservez-les comme référence. Joignez ce guide à l'unité si vous le remettez à quelqu'un d'autre. Respectez tous les avertissements et informations contenues dans le présent document et suivez les instructions.

Symboles et leurs significations

Ces symboles sont utilisés tout au long de ce guide :

	Informations importantes et consignes utiles relatives à l'utilisation.
	Avertissement: Avertissements contre les situations dangereuses concernant la sécurité de la vie et des biens.
	Indice de protection contre les chocs électriques

 **FR**
ÉLÉMENTS PAPIER


 **FR**
Cet appareil, ses accessoires, cordons et batteries se recyclent
À DÉPOSER EN MAGASIN  **OU** **À DÉPOSER EN DECHETERIE** 

Points de collecte sur www.quefairedemesdechets.fr
Privilégiez la réparation ou le don de votre appareil !

1 Instructions importantes en matière de sécurité et d'environnement

Cette section contient des instructions de sécurité visant à prévenir les dangers qui peuvent entraîner des blessures ou des dommages matériels.

Toute garantie est nulle si ces instructions ne sont pas suivies.

1.1 Sécurité générale

- Cet appareil est conforme aux normes internationales de sécurité.
- Cet appareil peut être utilisé par des enfants de plus de 8 ans, des personnes ayant des problèmes physiques, sensoriels ou mentaux ou des personnes ayant un manque d'expérience ou de connaissances; tant que le contrôle est assuré ou que des informations sont fournies sur les risques. Ne laissez pas les enfants jouer avec l'appareil. Le nettoyage et l'entretien par l'utilisateur ne doivent pas être effectués par les enfants sans surveillance.
- N'utilisez pas l'appareil si le cordon d'alimentation ou l'appareil est endommagé.
- Contactez un centre de service agréé.
- Votre alimentation secteur doit correspondre aux informations figurant sur la plaque signalétique de l'appareil.
- N'utilisez pas l'appareil avec une rallonge.
- Pour éviter d'endommager le cordon d'alimentation, évitez qu'il soit pincé, serti ou frotté contre des arêtes vives.
- Ne touchez pas la fiche de l'appareil avec les mains mouillées ou humides lorsque l'appareil est branché.
- Ne tirez pas le cordon pour débrancher l'appareil.
- N'aspirez pas les matériaux inflammables et assurez-vous que les cendres de cigarette sont refroidies avant de les aspirer.
- N'aspirez pas d'eau et d'autres liquides.
- Protégez l'appareil de la pluie, de l'humidité et des sources de chaleur.
- N'utilisez pas l'appareil dans ou à proximité d'environnements

1 Instructions importantes en matière de sécurité et d'environnement

et de substances explosives ou inflammables.

- Débranchez l'appareil avant le nettoyage et l'entretien.
- N'immergez pas l'appareil ou son cordon d'alimentation dans l'eau pour le nettoyer.
- Ne démontez pas l'appareil.
- Utilisez uniquement les pièces d'origine ou celles recommandées par le fabricant.
- Pour éviter de bloquer le filtre ou d'endommager le moteur, n'aspirez pas le ciment, le plâtre ou les fragments de papier comprimé.
- Utilisez l'appareil uniquement avec l'adaptateur fourni.
- N'utilisez pas l'appareil sans filtres, sinon il pourrait être endommagé.
- Si vous conservez les matériaux d'emballage, gardez-les hors de portée des enfants.
- Cet appareil n'est pas conçu pour être utilisé par des enfants, des personnes ayant des handicaps physique, sensoriel ou mental, ou des personnes n'ayant pas une expérience et une connaissance adéquate par rapport à l'utilisation de l'appareil, sauf si elles sont sous la surveillance d'une personne responsable de leur sécurité ou informées sur le fonctionnement de l'appareil.
- Les enfants doivent être surveillés pour éviter qu'ils ne jouent pas avec l'appareil.
- Débranchez l'adaptateur et retirez la batterie avant toute procédure de nettoyage ou d'entretien.
- Pour éviter tout risque de danger, un adaptateur endommagé doit être remplacé par le fabricant, le représentant autorisé du fabricant ou un technicien également qualifié.
- Tenez vos doigts, vos cheveux et vos vêtements amples à l'écart des pièces mobiles ou des dégagements lorsque vous passez l'aspirateur.
- Les batteries doivent être retirées de l'appareil avant de le mettre au rebut.
- Débranchez l'appareil de la

1 Instructions importantes en matière de sécurité et d'environnement

source d'alimentation avant de retirer la batterie.

- Veuillez éliminer les batteries usagées conformément aux lois et règlements locaux.
- Les batteries fournies dans cet appareil ne peuvent être remplacées que par des personnes qualifiées.
- L'appareil n'est pas destiné à être utilisé à des fins commerciales. Ce produit n'est pas conçu pour un usage commercial ; il est destiné à être utilisé à domicile et dans les applications suivantes :
 - les cuisines du personnel de magasins, les bureaux et autres environnements de travail ;
 - les fermes ;
 - par les clients dans les hôtels, les motels ou d'autres installations d'hébergement ;
 - dans les auberges ou les environnements similaires.

- **Avertissement:** Utilisez l'unité d'alimentation amovible HCX1501-3200450E livrée avec l'appareil pour charger la batterie.
- Cet appareil ne peut pas être utilisé par des enfants et par des personnes aux capacités physiques, sensorielles ou mentales réduites ou sans expérience ou connaissance, à condition qu'elles soient surveillées ou qu'elles aient reçu des instructions y relatives.
- Les enfants doivent être surveillés pour éviter qu'ils ne jouent pas avec l'appareil.

1 Instructions importantes en matière de sécurité et d'environnement

1.2 Conformité à la directive WEEE et élimination des déchets



Ce produit est conforme à la directive européenne WEEE (2012/19/EU). Ce produit porte un symbole de classification pour les déchets d'équipements électriques et électroniques (WEEE), qui indique que ce produit ne doit pas

être éliminé avec les autres déchets ménagers à la fin de sa vie utile. Les appareils usagés doivent être retournés au point de collecte officiel pour le recyclage des dispositifs électriques et électroniques. Pour trouver ces systèmes de collecte, veuillez contacter les autorités locales ou le détaillant où le produit a été acheté. Chaque foyer joue un rôle important dans la récupération et le recyclage des vieux appareils. La mise au rebut appropriée des appareils usagés permet de prévenir les conséquences négatives potentielles pour l'environnement et la santé humaine.

1.3 Informations sur l'emballage



L'emballage de l'appareil a été fabriqué à partir de matériaux recyclables, conformément à la législation nationale.

Ne pas jeter les déchets d'emballage avec les déchets ménagers ou d'autres déchets, les déposer dans les zones de collecte des emballages spécifiées par les autorités locales.

1.4 Informations sur les piles usagées



Ce symbole sur l'emballage relatif aux batteries rechargeables indique que la batterie rechargeable ne doit pas être jetée avec les ordures ménagères. Un symbole chimique peut accompagner ce symbole sur

certaines batteries rechargeables.

Des symboles de mercure (Hg) et de plomb (Pb) peuvent également être ajoutés si les piles rechargeables contiennent plus de% 0,0005 mercure et plus de% 0,004 de plomb.

Les piles rechargeables ne doivent pas être jetées avec les ordures ménagères même si elles ne contiennent pas de métaux lourds. Jetez toujours les piles usagées conformément à la législation environnementale locale. Enquêtez sur les réglementations d'élimination des déchets en vigueur dans votre zone de résidence.

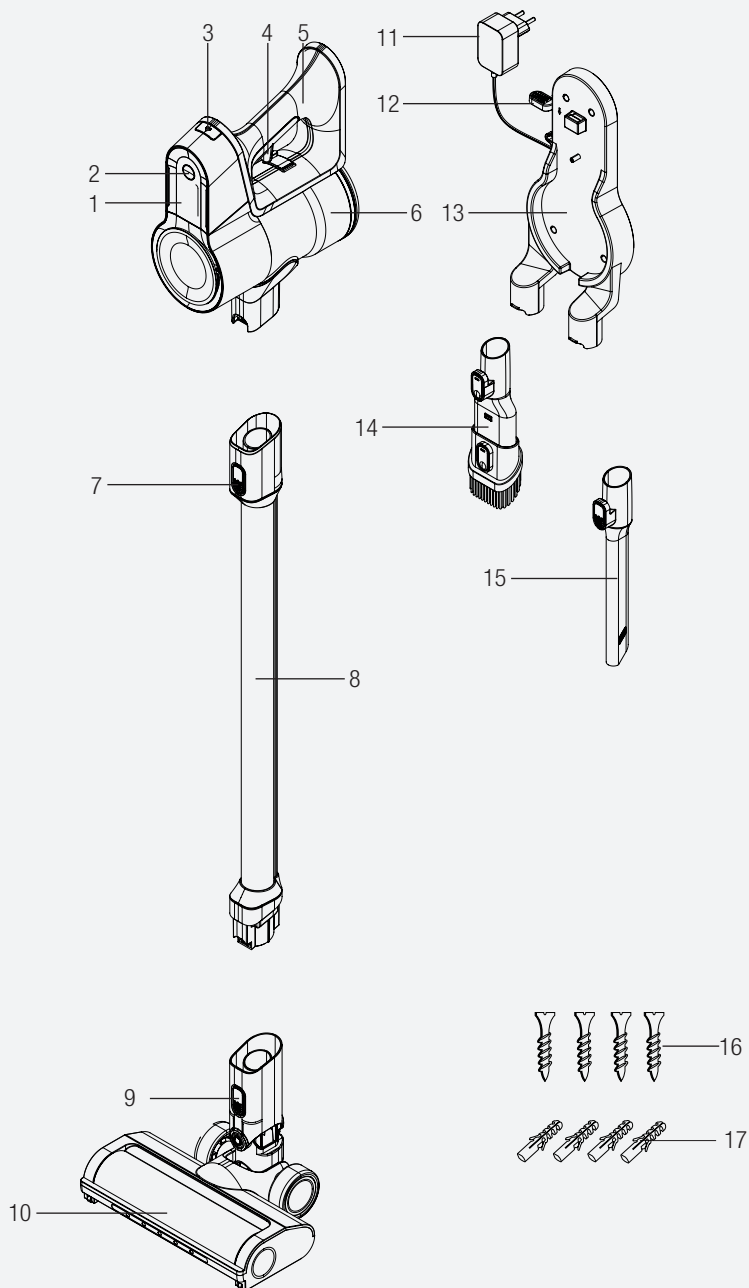
1.5 Comment économiser de l'énergie

- Lorsque vous utilisez votre appareil, effectuez les réglages de vitesse en fonction de la surface afin d'économiser de l'énergie.
- En général, les vitesses les plus faibles sont utilisées pour le nettoyage des surfaces dures, des rideaux et des canapés, tandis que les vitesses élevées sont utilisées pour le nettoyage des tapis.

1.6 Conformité avec la Directive RoHS

Votre appareil est conforme à la directive RoHS de l'Union européenne (2011/65/UE). Il ne contient pas de matériaux nuisibles et interdits spécifiés dans la directive.

2 Vue d'ensemble




2 Vue d'ensemble

2.1 Commandes et composants

1. Écran LED
2. Bouton de réglage du niveau de vitesse
3. Bouton de déverrouillage du bloc de batteries
4. Bouton Marche / Arrêt
5. Poignée
6. Récipient à poussière
7. Bouton de déverrouillage du tuyau
8. Tube
9. Bouton de déverrouillage de la brosse turbo électrique
10. Brosse turbo électrique
11. Adaptateur de charge
12. Bouton de déverrouillage de l'appareil
13. Station de charge
14. Suceur brosse
15. Suceur long
16. Vis (4 pièces)
17. Cheville (4 pièces)

2.2 Données techniques

Puissance d'entrée nominale	350 W
Entrée	100 - 240 V ~ 50-60 Hz 0,5 A
Courant de sortie	32 V  0.45 A
Temps de charge	4 à 6 heures
Durée de fonctionnement à la puissance maximale	10 mn
Durée d'exécution à mi-puissance	20 mn
Durée de fonctionnement à la puissance minimale	45 mn

Les droits d'apporter des modifications techniques et de conception sont réservés.

Les valeurs fournies avec l'appareil ou les documents qui l'accompagnent sont des valeurs de laboratoire conformes aux normes respectives. Ces valeurs peuvent varier en fonction de l'utilisation et des conditions ambiantes.

2 Vue d'ensemble

Paramètre de l'alimentation électrique externe

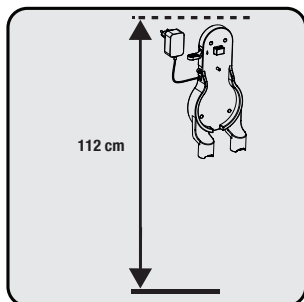
Fabricant :	Guangdong Huachuangxing Power Supply Co.,Ltd
Identifiant de modèle :	HXC1501-3200450E
Tension d'entrée :	100-240V~
Fréquence d'entrée :	50-60Hz
Courant d'entrée :	0,5A
Tension de sortie	32,0V
Courant de sortie	0,45A
Puissance de sortie :	14,4W
Rendement moyen en mode actif :	85,5%
Efficacité à faible charge (10 %) :	83,33%
Consommation électrique sans charge :	0,041W

3 Installation

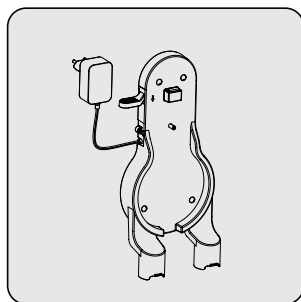
3.1 Utilisation prévue

Cet appareil est destiné à un usage domestique et non à un usage industriel.

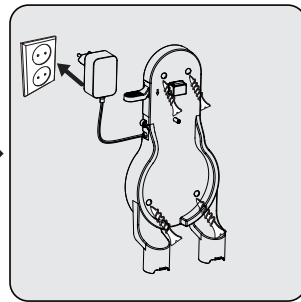
3.2 Installation de la station de charge



Placez la station de charge à une hauteur minimale de 112 cm du sol.

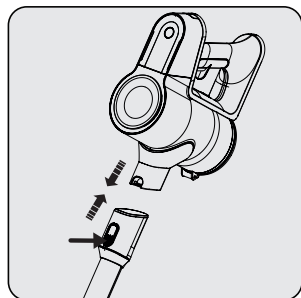


1- Fixez quatre chevilles sur le mur
2- Placez quatre vis dans leurs emplacements sur la station de charge et fixez-les sur les chevilles placées au mur.

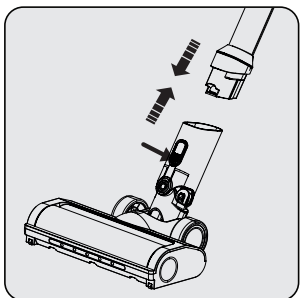


Branchez l'adaptateur de charge sur la prise.

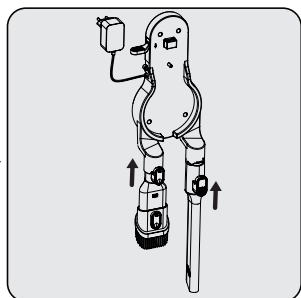
3.3 Installation du corps et de la brosse



Poussez le tube dans le sens de la flèche vers le corps en appuyant sur le bouton de libération du tube.



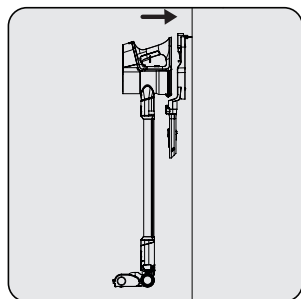
Appuyez sur le bouton de libération de la turbo-brosse électrique et poussez-la dans le sens de la flèche vers le tube.



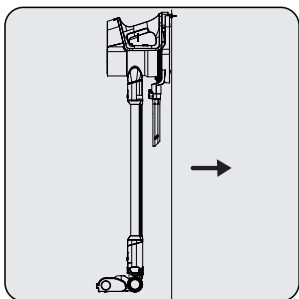
Placez le suceur brosse et le suceur long dans la station de charge.

4 Fonctionnement

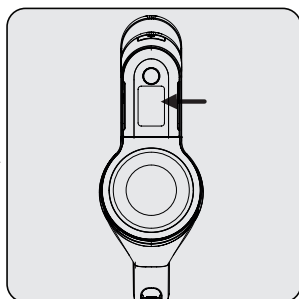
4.1 Charge de l'appareil



Posez l'appareil sur la station de charge : placez la partie avec le réservoir à poussière sur la station de charge, puis poussez l'appareil vers la station.



Branchez l'adaptateur de charge sur la prise.



Lorsque vous placez l'appareil sur la station de charge, il commence à se charger et le pourcentage de charge de la batterie s'affiche à l'écran. Les pourcentages (%) augmentent à mesure que l'appareil est chargé.

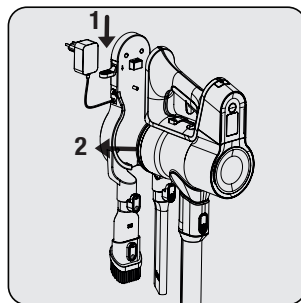


Il faut entre 4 à 6 heures pour charger l'appareil complètement. L'appareil ne doit pas être utilisé pendant la charge.

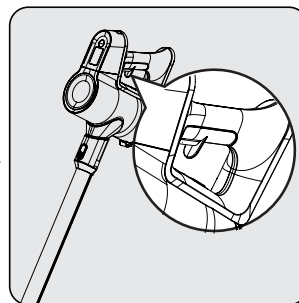


Lorsque l'appareil est placé sur la station de charge pendant son fonctionnement, il s'arrête automatiquement.

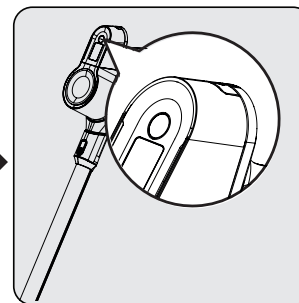
4.2 Utilisation



1- Poussez vers le bas le bouton de libération de l'appareil situé sur le socle de charge et tirez simultanément l'appareil vers vous.
2- Retirez l'appareil de la station de charge.



Appuyez sur le bouton Marche/Arrêt pour faire fonctionner l'appareil. L'appareil commence à fonctionner avec la puissance minimale lorsque vous appuyez sur le bouton marche/arrêt.

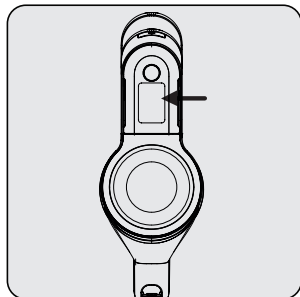


Pour régler le niveau de vitesse, appuyez sur le bouton. Sur l'écran, le mode d'aspiration utilisé est indiqué par les mentions mini, moyen et haut. En appuyant sur le bouton, le niveau de vitesse peut être ajusté.

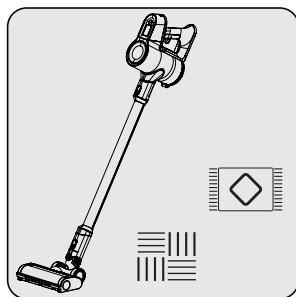
4 Fonctionnement



L'appareil peut être placé en charge avant la décharge complète de la batterie. L'appareil peut être maintenu en charge en permanence sur la station de charge jusqu'à la prochaine opération.



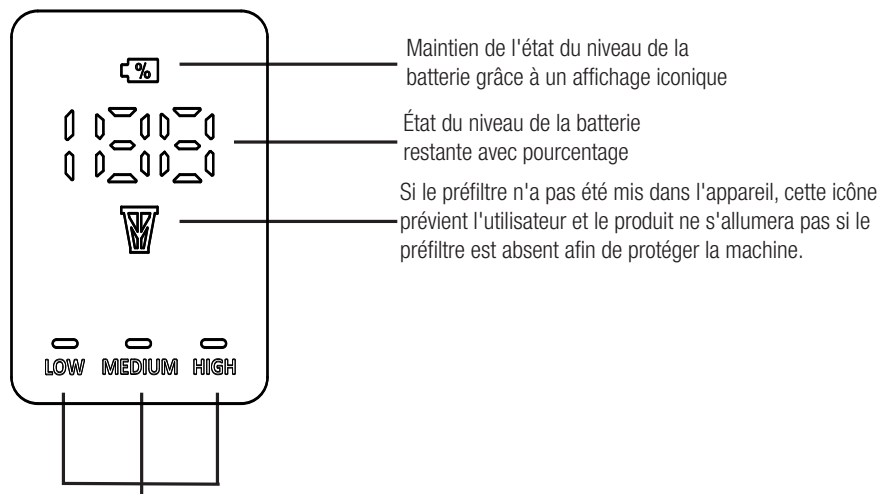
Faites attention au pourcentage du niveau de la batterie pendant le fonctionnement. Le pourcentage du niveau de la batterie doit être suivi pendant l'utilisation ; lorsqu'elle est vide, l'appareil s'arrête automatiquement de fonctionner.



Cet appareil convient pour une utilisation sur les tapis et les sols durs.

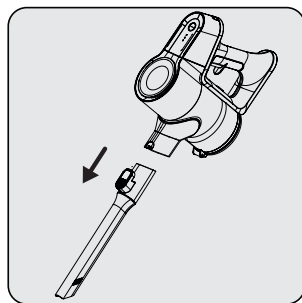
4 Fonctionnement

4.3 Indicateurs d'écran de LED

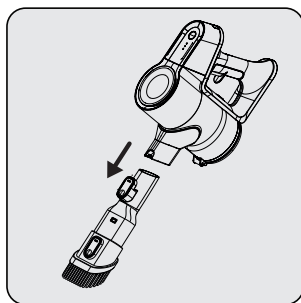


Ces icônes indiquent le mode d'aspiration utilisé.

4.3 Accessoires



Suceur long : Convient pour le nettoyage de l'arrière des meubles, des zones difficiles d'accès et des zones étroites.



Suceur brosse : Convient pour aspirer les rideaux, les canapés, les meubles cirés et les objets délicats.

5 Nettoyage et entretien

Éteignez et débranchez l'appareil avant de le nettoyer.



Avertissement: N'utilisez jamais d'essence, de solvants, de nettoyants abrasifs, d'objets métalliques ou de brosses dures pour nettoyer l'appareil.



Avertissement: Le filtre peut subir des déformations dans le temps en raison de l'utilisation. Il doit être remplacé par un nouveau afin d'éviter toute perte de performance. Contactez le service client pour en acheter un nouveau.

5.1 Nettoyage du récipient à poussière et des filtres



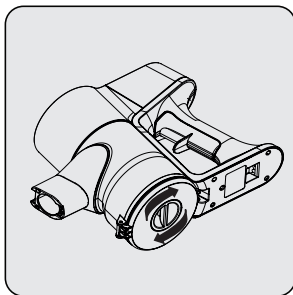
Avertissement: Ne lavez pas les filtres.



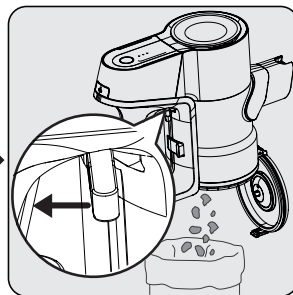
Nous vous recommandons de nettoyer le conteneur à poussière après chaque utilisation.



Essuyez la surface du corps à l'aide d'un chiffon humide.

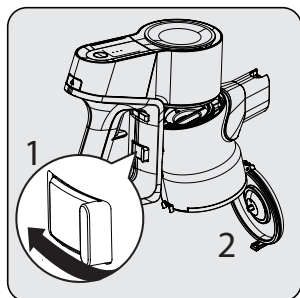


Afin de faire fonctionner le produit à haute performance pendant une longue période, il peut être nécessaire de nettoyer le filtre en faisant tourner le mécanisme sous le récipient à poussière. Cela vous aidera à nettoyer le filtre facilement.

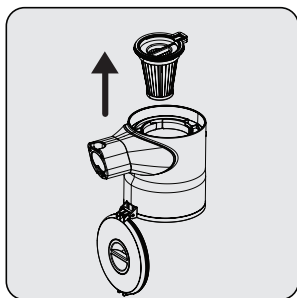


Tirez la gâchette du conteneur à poussière de vidange jusqu'au dernier point. Le couvercle du récipient à poussière s'ouvre. Videz toute la poussière qu'il contient.

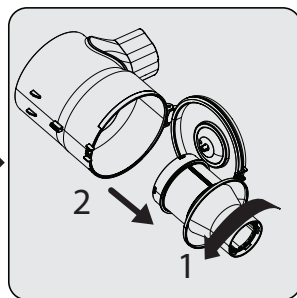
5 Nettoyage et entretien



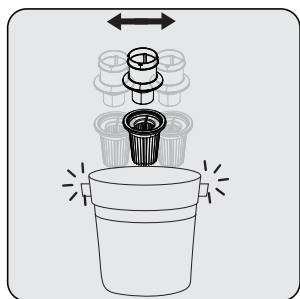
Pour un nettoyage détaillé des filtres, retirez le bac à poussière en poussant le bouton sur le côté gauche.



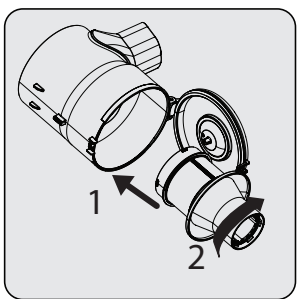
Séparez le pré-filtre et le filtre en plastique l'un de l'autre.



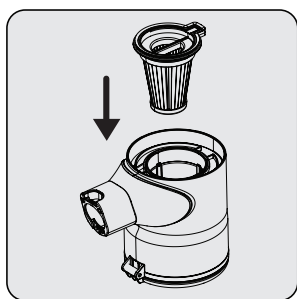
Pour retirer le filtre en plastique, faites-le d'abord pivoter dans le sens antihoraire (1), puis retirez-le (2).



Retirez la poussière du pré-filtre en le frappant délicatement contre une surface dure telle qu'une poubelle ou à l'aide d'une brosse.

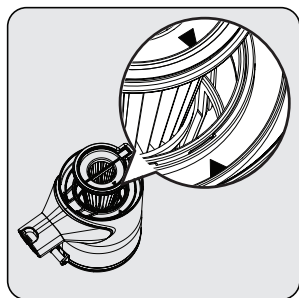


Pour insérer le filtre en plastique, positionnez-le (1), puis faites-le pivoter dans le sens horaire pour le bloquer (2).

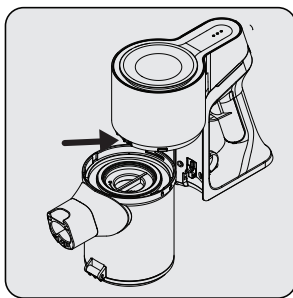


Fixez le pré-filtre au dos du filtre en plastique.

5 Nettoyage et entretien



Lorsque vous placez le préfiltre, assurez-vous que la flèche sur le préfiltre et la flèche sur le réservoir soient alignées.

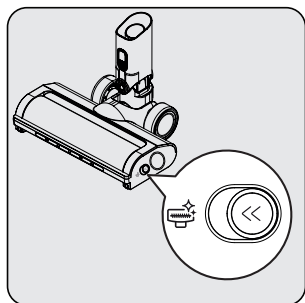


Placez le réservoir à poussières sur le corps de l'appareil au niveau des petits trous. Puis appuyez légèrement dessus jusqu'à entendre un déclic.

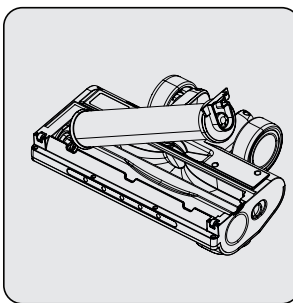
5.2 Nettoyage de la brosse



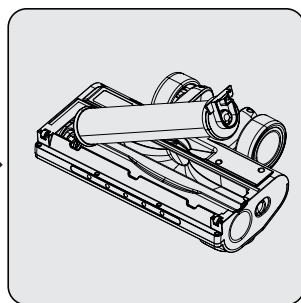
Avvertimento: Ne pas laver la turbo-brosse et le rouleau principal.



Poussez le bouton de libération du rouleau vers la gauche.



Retirez-en la poussière en la frappant légèrement contre une surface dure ou à l'aide d'une brosse. Si des poils ou d'autres objets sont coincés dessus, retirez-les en les coupant.



Remettez le rouleau à sa place en le poussant.

5 Nettoyage et entretien

5.3 Stockage

- Si vous n'avez pas l'intention d'utiliser l'appareil pendant une longue période, rangez-le soigneusement.
- Débranchez l'appareil.
- Assurez-vous que l'appareil est hors de la portée des enfants.
- Si vous prévoyez de ne pas utiliser la batterie pendant une période prolongée, rangez-la à mi-charge dans un endroit frais et sec. Évitez de la recharger ou de la décharger complètement.
- Rangez la batterie sur un matériau non conducteur, et ne la laissez pas entrer en contact direct avec du métal. Cela endommagerait la batterie.

5.4 Transport et livraison

- Pendant le transport et l'expédition, transportez l'appareil avec son emballage d'origine. L'emballage de l'appareil protège l'appareil contre les dommages physiques.
- Ne posez pas d'objets lourds sur l'appareil ou son emballage. Sinon, l'appareil risque d'être endommagé.
- Si l'appareil tombe, il peut ne plus fonctionner ou subir des dommages permanents.

Vă rugăm citiți mai întâi acest ghid!

Stimate client,

Vă mulțumim că ați ales un produs BEKO. Dorim să obțineți eficiența optimă de la acest produs de înaltă calitate fabricat cu tehnologie de ultimă generație. Vă rugăm să citiți și să înțelegeți integral acest ghid și documentația suplimentară înainte de utilizare și să îl păstrați ca referință. Includeți acest ghid împreună cu unitatea dacă o predați altcuiva. Respectați toate avertismentele și informațiile din acest document și urmați instrucțiunile.

Simboluri și semnificațiile lor

Aceste simboluri sunt utilizate în prezentul ghid:



Informații importante și sugestii utile pentru utilizare.



AVERTIZARE: Avertizări pentru situații periculoase privind siguranța vieții și bunurilor.



Clasa de protecție la electrocutare.



**HÂRTIE RECICLATĂ ȘI
RECICLABILĂ**

1 Instrucțiuni importante referitoare la siguranță și mediul înconjurător

Această secțiune conține instrucțiuni de siguranță pentru prevenirea pericolelor care pot cauza vătămări corporale sau daune materiale.

Orice garanție este nulă dacă aceste instrucțiuni nu sunt respectate.

1.1 Siguranță generală

- Acest aparat este conform cu standardele internaționale de siguranță.
- Acest dispozitiv poate fi utilizat de copiii cu vârsta peste 8 ani, de persoane cu probleme fizice, auditive sau psihice sau de persoane care nu au experiență sau cunoștințe; atâta timp cât se asigură controlul sau le sunt furnizate informații privind potențialele pericole. Copiii nu trebuie să se joace cu aparatul. Curățarea și operațiunile de întreținere nu trebuie realizate de copii nesupravegheați.
- Nu utilizați aparatul dacă cablul de alimentare sau aparatul este deteriorat. Contactați un service autorizat.
- Tensiunea rețelei electrice de alimentare trebuie să corespundă cu informațiile indicate pe eticheta aparatului.
- Nu utilizați aparatul cu un prelungitor.
- Pentru a preveni deteriorarea cablului de alimentare, evitați prinderea, îndoirea sau frecarea acestuia de margini ascuțite.
- Dacă aveți mâinile umede sau ude, nu atingeți ștecherul aparatului când este conectat la priză.
- Nu deconectați aparatul trăgând de cablu.
- Nu aspirați materiale inflamabile și asigurați-vă că scrumul de țigară este stins înainte de a-l curăța.
- Nu aspirați apă sau alte lichide.
- Protejați aparatul de precipitații, umiditate și surse de căldură.
- Nu utilizați aparatul în medii și substanțe explozive sau inflamabile sau în apropierea acestora.
- Înainte de curățare și întreținere, scoateți aparatul din priză.

1 Instrucțiuni importante referitoare la siguranță și mediul înconjurător

- Pentru curățare, nu introduceți aparatul sau cablul acestuia în apă.
- Nu dezasamblați aparatul.
- Utilizați doar componente originale sau componente recomandate de către producător.
- Pentru a preveni obturarea filtrului sau deteriorarea motorului, nu aspirați ciment, tencuială sau hârtie compactată.
- Utilizați aparatul numai cu adaptorul cu care a fost furnizat.
- Nu utilizați aparatul fără filtre deoarece poate fi deteriorat.
- Dacă păstrați materialele de ambalare, depozitați-le în locuri inaccessibile copiilor.
- Acest aparat nu este destinat utilizării de către persoane, inclusiv copii, cu dizabilități fizice, senzoriale și mentale sau de către persoane fără experiență și cunoștințe adecvate despre utilizarea acestuia, cu excepția cazului în care sunt supravegheate de persoane responsabile pentru siguranța lor sau persoanele au fost informate despre modul de funcționare a aparatului.
- Copiii vor fi supravegheați pentru a preveni joaca cu aparatul.
- Înainte de a începe orice procedură de curățare sau întreținere, deconectați adaptorul și înlăturați acumulatorul.
- Pentru a evita orice risc de pericol, adaptorul deteriorat ar trebui înlocuit de către producător, reprezentantul autorizat al producătorului sau de un tehnician calificat similar.
- În timp ce aspirați, feriiți degetele, părul și hainele largi de componentele în mișcare sau de degajări.
- Bateria ar trebui înlăturată din aparat, înainte de a fi scos din uz.
- Deconectați aparatul de la sursa de alimentare, înainte de scoaterea bateriei.
- Vă rugăm să eliminați bateriile în conformitate cu reglementările și legislația locală.
- Bateriile incluse în acest aparat pot fi înlocuite numai de personal calificat.

1 Instrucțiuni importante referitoare la siguranță și mediul înconjurător

- Aparatul nu este destinat utilizării în scopuri comerciale. Acest aparat nu este destinat utilizării comerciale, este destinat utilizării la domiciliu și în aplicații după cum urmează:
 - în bucătăriile pentru personal ale magazinelor, birourilor și în alte medii de lucru,
 - gospodării agricole;
 - de către clienții din hoteluri, moteluri sau alte unități de cazare
 - în hosteluri sau alte medii similare.
- **AVERTIZARE:** Pentru a încărca bateria, vă rugăm să utilizați numai unitatea detașabilă de încărcare HCX1501-3200450E furnizată cu acest produs.
- Acest aparat nu trebuie utilizat de către copii și persoane cu capacitate fizică sau senzorială sau capacitate cognitivă limitată, sau de persoane fără experiență și cunoștințe, decât dacă sunt supravegheate sau au primit instrucțiuni relevante.
- Copiii vor fi supravegheați pentru a preveni joaca cu aparatul.

1.2 În conformitate cu Directiva WEEE și eliminarea produsului uzat



Acest produs este în conformitate cu Directiva UE privind DEEE (2012/19/UE). Acest produs poartă un simbol de clasificare pentru deșeurile de echipamente electrice și electronice (DEEE).

Acest simbol indică faptul că acest produs nu trebuie eliminat împreună cu alte deșeuri menajere la sfârșitul duratei sale de viață. Aparatul uzat trebuie transportat la un punct de colectare pentru reciclarea echipamentelor electrice și electronice. Pentru a găsi aceste sisteme de colectare, vă rugăm să contactați autoritățile locale sau comerciantul unde a fost pus în vânzare produsul. Fiecare gospodărie are un rol important în recuperarea și reciclarea electrocasnicelor vechi. Eliminarea corespunzătoare a electrocasnicelor utilizate ajută la prevenirea posibilelor consecințe negative pentru mediu și sănătatea umană.

1.3 Informații despre ambalaj



Ambalajul produsului este fabricat din materiale reciclabile, în conformitate cu legislația națională.

Nu eliminați deșeurile de ambalaje împreună cu deșeurile menajere sau alte deșeuri, ci eliminați-le în zonele de colectare a ambalajelor specificate de către autoritățile locale.

1 Instrucțiuni importante referitoare la siguranță și mediul înconjurător

1.4 Informații despre bateriile consumate



Simbolul de pe baterie și ambalaj indică faptul că bateria livrată împreună cu produsul nu trebuie considerate deșeu menajer. Pentru unele baterii reîncărcabile, acest simbol

poate fi utilizat în combinație cu un simbol chimic.

În cazul în care bateriile conțin mai mult de 0,0005% mercur sau mai mult de 0,004% plumb, simbolul Hg pentru mercur și simbolul Pb pentru plumb sunt plasate sub simbolul chimic.

Bateriile reîncărcabile nu trebuie eliminate împreună cu deșeurile menajere, chiar dacă nu conțin metale grele. Eliminați întotdeauna bateriile uzate conform legislației locale de mediu. Verificați regulamentele în vigoare privind eliminarea deșeurilor în zona dvs. de reședință.

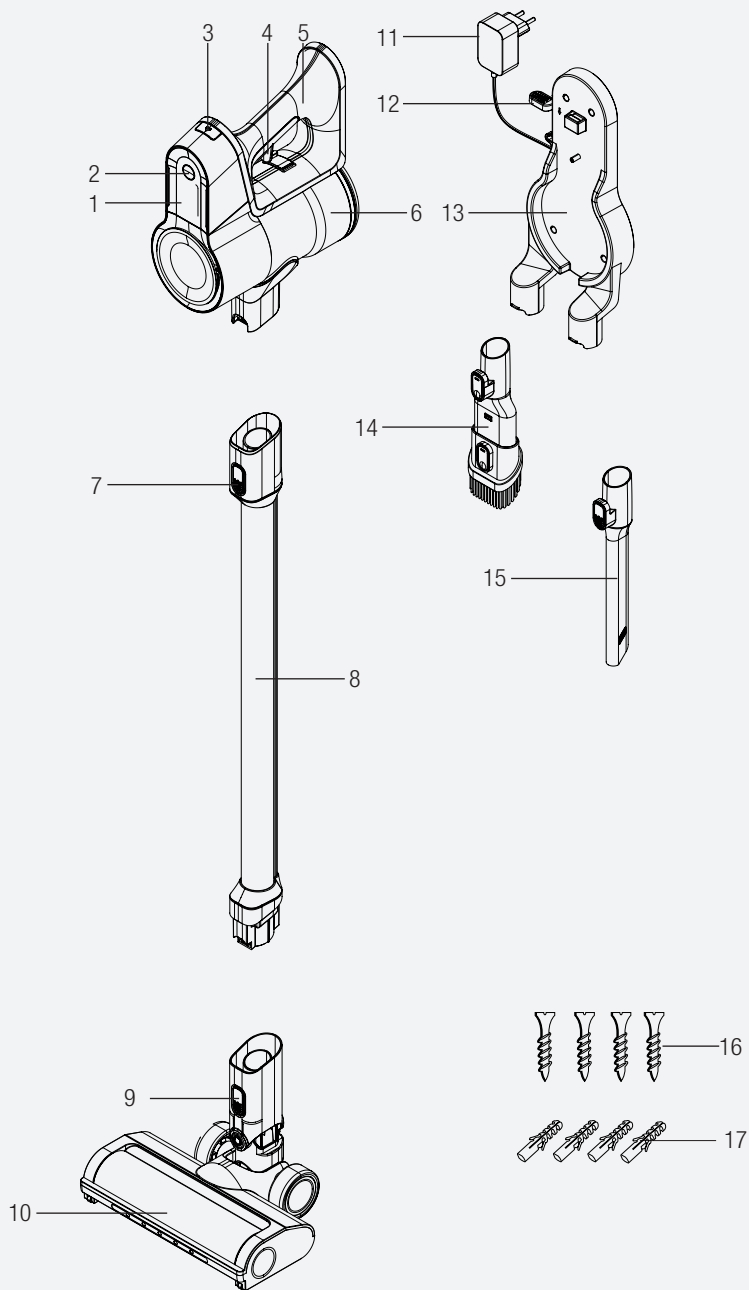
1.5 Modalități de reducere a consumului de energie electrică

- Când folosiți aparatul, ajustați setările de viteză în funcție de suprafață pentru a economisi energie.
- În mod normal, la curățarea suprafețelor dure, a perdelelor și a canapelelor se utilizează viteze mai mici, iar pentru curățarea covoarelor se utilizează viteze mari.

1.6 Conformitatea cu Directiva RoHS

Produsul pe care l-ați achiziționat este conform cu Directiva UE privind RoHS (2011/65/UE). Acesta nu conține materiale periculoase și interzise, specificate în această Directivă.

2 Prezentare generală




2 Prezentare generală

2.1 Comenzi și componente

1. Ecran LED
2. Buton de reglare a nivelului de viteză
3. Buton de eliberare a acumulatorului
4. Buton On/Off (Pornire/Oprire)
5. Mâner
6. Recipient praf
7. Buton de eliberare tub
8. Tub
9. Buton de eliberare a periei turbo electrice
10. Perie turbo electrică
11. Adaptor de încărcare
12. Buton de eliberare a aparatului
13. Stație de încărcare
14. Perie 2in1 pentru tapiterie și praf
15. Accesoriu lung pentru spații înguste
16. Șurub (4 buc.)
17. Diblu (4 buc.)

2.2 Date tehnice

Putere nominală de intrare	350 W
Intrare	100 - 240 V ~ 50-60 Hz 0,5 A
Ieșire	32 V  0,45 A
Timp de încărcare	4-6 ore
Timp de rulare la putere max.	10 minute
Timp de rulare la putere medie	20 minute
Timp de rulare la putere min,	45 minute

Ne rezervăm dreptul de a opera modificări tehnice și de design.

Valorile furnizate împreună cu aparatul sau în cadrul documentelor însoțitoare sunt citiri de laborator în conformitate cu standardele corespunzătoare. Aceste valori pot varia în funcție de condițiile de utilizare și de mediu.

2 Prezentare generală

Parametrul alimentatorului extern

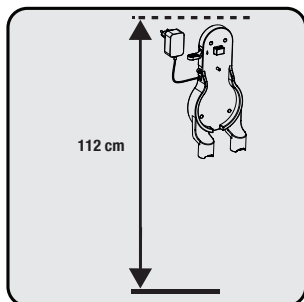
Producător:	Guangdong Huachuangxing Power Supply Co.,Ltd
Model ID:	HCX1501-3200450E
Tensiunea de intrare:	100-240V~
Frecvența de intrare:	50-60Hz
Curentul de intrare:	0,5A
Tensiunea la ieșire	32,0V
Curentul la ieșire	0,45A
Puterea de ieșire:	14,4W
Randament mediu în regim activ:	85,5%
Randament la sarcină redusă(10%):	83,33%
Consum de putere fără sarcină:	0,041W

3 Instalarea

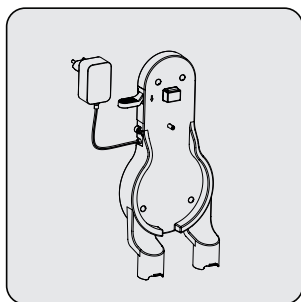
3.1 Utilizarea destinată

Acest aparat este destinat pentru uz casnic, nu este adecvat pentru utilizare în scopuri industriale.

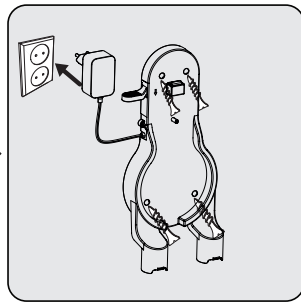
3.2 Instalarea stației de încărcare



Poziționați stația de încărcare la o înălțime de 112 cm de la sol.

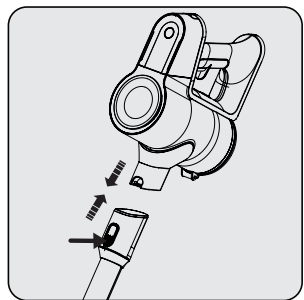


1- Fixați patru dibluri în perete
2- Introduceți patru șuruburi în orificiile lor de pe stația de încărcare și montați diblurile în perete.

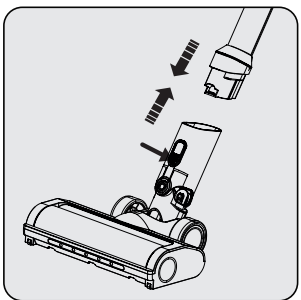


Introduceți adaptorul de încărcare în priză.

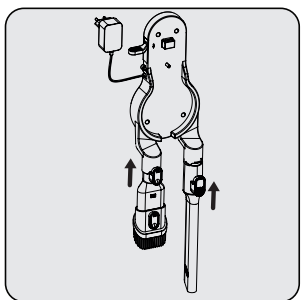
3.3 Instalarea corpului și periei



Împingeți tubul în direcția săgeții spre corp apăsând butonul de eliberare a tubului.



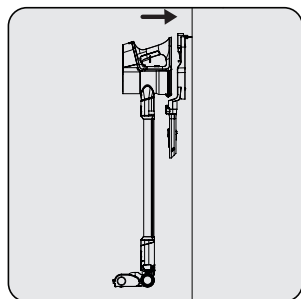
Apăsăți butonul de eliberare a periei electrice turbo de pe peria electrică turbo și împingeți-o în direcția săgeții spre tub.



Atașați accesoriul pentru crăpături și instrumentul combinat la stația de încărcare.

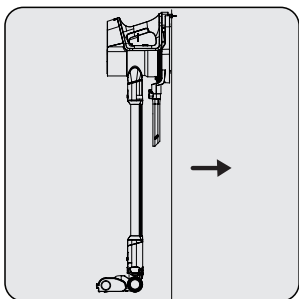
4 Operarea

4.1 Încărcarea aparatului

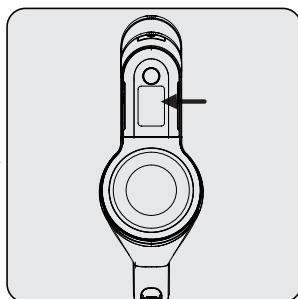


Puneți aparatul în stație de încărcare.

După punerea recipientului pentru praf în stația de încărcare, împingeți aparatul spre stația de încărcare.



Introduceți adaptorul de încărcare în priză.



Când așezați aparatul în stația de încărcare, acesta va începe să se încarce iar pe ecran va fi afișat procentul de încărcare al bateriei. Pe măsură ce aparatul este încărcat, procentajul (%) va crește.

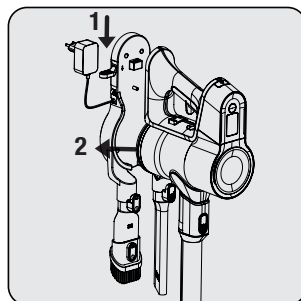


Sunt necesare 4 până la 6 ore pentru încărcarea completă a aparatului. Aparatul nu trebuie să funcționeze în timpul încărcării.



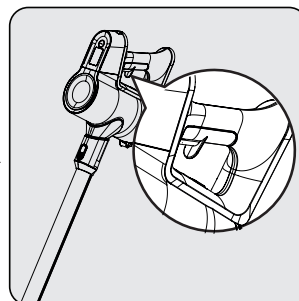
Dacă aparatul este așezat pe stația de încărcare în timpul funcționării, acesta va fi oprit automat.

4.2 Utilizare

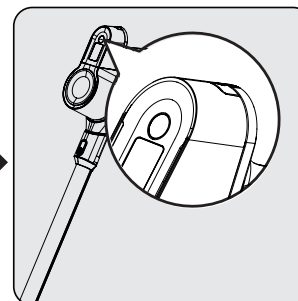


1- Apăsați în jos butonul de eliberare a aparatului de pe stația de încărcare și trageți aparatul către dvs. în același timp.

2- Scoateți aparatul din stația de încărcare.



Apăsați butonul pornire/oprire (on/off) pentru ca aparatul să înceapă să funcționeze. Aparatul începe să funcționeze cu putere minimă atunci când este apăsat butonul de pornire / oprire (on/off).

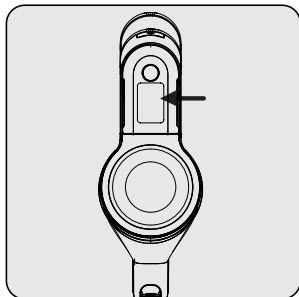


Pentru a adapta nivelul vitezei, apăsați butonul. Pe ecran va fi afișat sub forma de min, mediu și ridicat modul de aspirație utilizat. Apăsând butonul, nivelul vitezei poate fi adaptat.

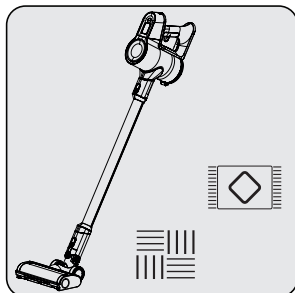
4 Operarea



Aparatul poate fi conectat pentru încărcare înainte de descărcarea completă a bateriei. Aparatul poate fi ținut continuu pe stația de încărcare până la următoarea utilizare.



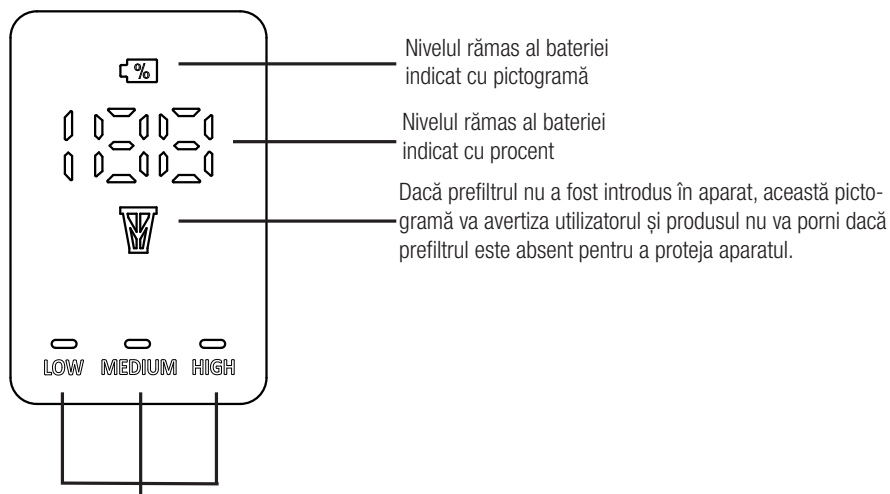
În timpul funcționării, controlați procentul nivelului de baterie. Procentul de nivel al bateriei trebuie urmărit în timpul utilizării - când acesta este gol, aparatul se oprește automat.



Acest aparat este potrivit pentru utilizarea pe mochete și suprafețe dure.

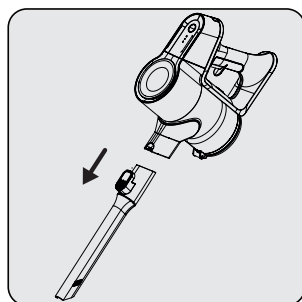
4 Operarea

4.3 Indicatoare ecran LED

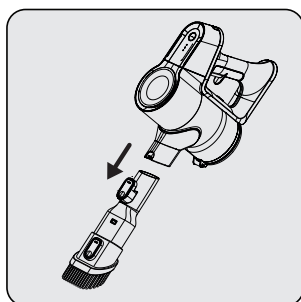


Acele pictograme vor indica modul de aspirație care este utilizat.

4.3 Accesorii



Accesoriu lung pentru spații înguste: Potrivită pentru aspirarea în spatele mobilierului, zone greu accesibile și zone înguste.



Perie 2in1 pentru tapiterie și praf: Adecvat pentru aspirarea perdelelor, canapelelor, a mobilierului tratat cu ceară și a obiectelor sensibile și fragile.

5 Curățarea și întreținerea

Opriiți și deconectați aparatul înainte de a-l curăța.



AVERTIZARE: Nu utilizați benzină, solvenți, agenți abrazivi de curățare, obiecte metalice sau perii dure pentru a curăța aparatul.



AVERTIZARE: Ca efect al utilizării, filtrele se pot deforma în timp. Pentru a evita pierderi de randament, se recomandă schimbarea cu altele noi. Contactați service-ul pentru clienți în scopul achiziționării de noi filtre.

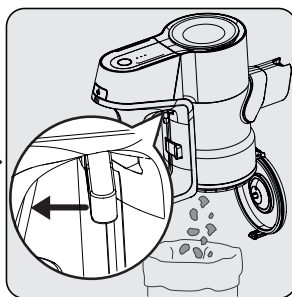
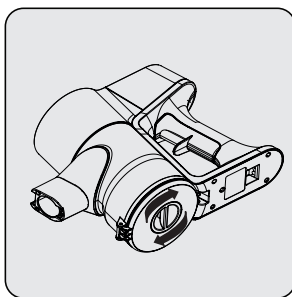
5.1 Curățarea filtrelor și a recipientului pentru praf



AVERTIZARE: Nu spălați filtrele.



Vă recomandăm să curățați recipientul de praf după fiecare utilizare.

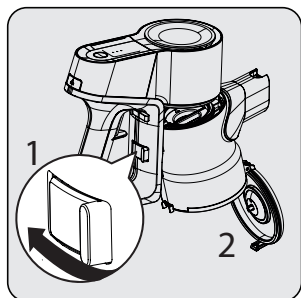


Ștergeți suprafața corpului cu o cârpă umedă.

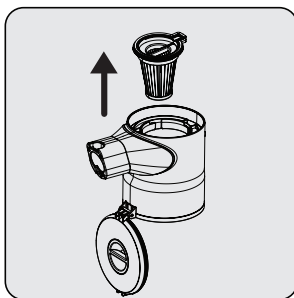
Pentru a utiliza produsul la performanțe ridicate pentru o perioadă lungă de timp, poate fi necesară curățarea filtrului prin rotirea mecanismului de sub recipientul de praf. Aceasta va ajuta la curățarea faclă a filtrului.

Trageți mânerul de golire a recipientului de praf până la ultimul punct. Capacul recipientului pentru praf se va deschide. Goliți tot praful pe care îl conține.

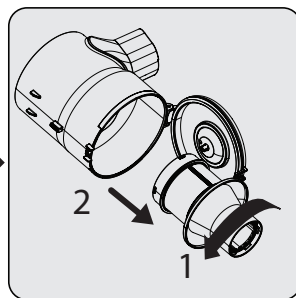
5 Curățarea și întreținerea



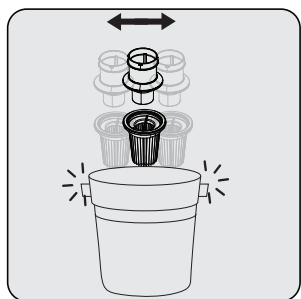
Pentru o curățare detaliată a filtrelor, îndepărtați recipientul de praf apăsând butonul din partea stângă.



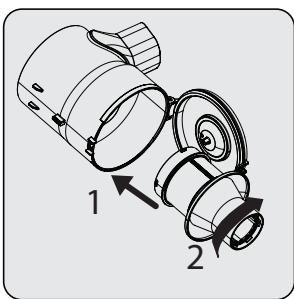
Separați prefiltrul și filtrul de plastic unul de celălalt.



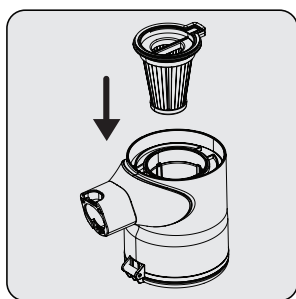
Pentru a înlătura filtrul din plastic, mai întâi rotiți-l invers acelor de ceasornic, apoi scoateți filtrul.



Îndepărtați praful de pe prefiltrul tapotându-l pe o suprafață dură, cum ar fi un coș de gunoi sau folosind o perie.

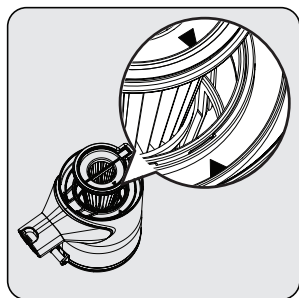


Pentru a pune la loc filtrul, mai întâi plasați-l pe poziție, apoi rotiți-l în sensul acelor de ceasornic.

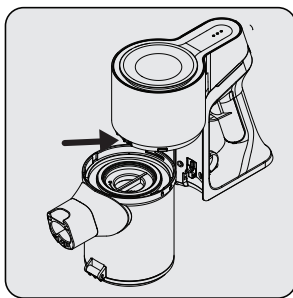


Atașați prefiltrul la spatele filtrului de plastic.

5 Curățarea și întreținerea



Când puneți la loc pre-filtrul, asigurați-vă că săgețile indicatoare de pe pre-filtru sunt aliniate cu cele de pe corpul aparatului.

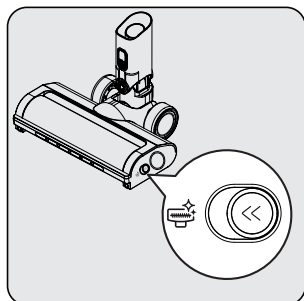


Fixați clemele recipientului pentru praf în orificiile de pe corp, apoi fixați recipientul de praf răsucind în sens orar până când auziți un clic

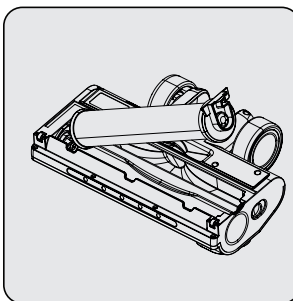
5.2 Curățarea periei



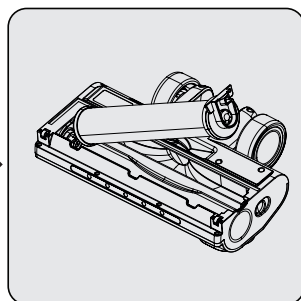
AVERTIZARE: Nu spălați peria turbo și peria rotativă principală.



Împingeți butonul de eliberare a periei rotative la stânga.



Îndepărtați praful de pe ea prin tapotarea de o suprafață dură sau îndepărtați praful cu o perie. Dacă există păr încălțit sau altceva ce nu poate fi îndepărtat ușor, îndepărtați-le prin tăiere.



Fixați peria rotativă din nou în locația sa prin împingere.

5 Curățarea și întreținerea

5.3 Depozitarea

- Dacă nu doriți să utilizați aparatul pentru o perioadă lungă de timp, depozitați-l cu grijă.
- Scoateți aparatul din priză.
- Asigurați-vă că nu lăsați aparatul la îndemâna copiilor.
- Dacă nu utilizați bateria o perioadă lungă de timp, depozitați-o pe jumătate încărcată într-un loc uscat și răcoros. Nu încărcați sau descărcați complet.
- Depozitați bateria pe o suprafață non conductoare și nu permiteți să ajungă în contact direct cu metale. În caz contrar, bateria poate fi deteriorată.

5.4 Transportul și expedierea

- În timpul expedierii și transportului, transportați aparatul în ambalajul său original. Ambalajul aparatului îl va proteja împotriva deteriorării fizice.
- Nu plasați obiecte grele pe produs sau pe ambalajul acestuia. În caz contrar, aparatul poate fi deteriorat.
- Dacă aparatul este scăpat, este posibil ca aparatul să nu funcționeze sau să se deterioreze permanent.



CERTIFICAT DE GARANȚIE

Tensiune de alimentare/frecvență: 220-240V~, 50-60Hz
Importator: ARCTIC S.A., Găești, Dâmbovița, str. 13 Decembrie nr. 210, email: office@arctic.ro

TIP: <input type="checkbox"/> Aspirator <input type="checkbox"/> Aerotermă	<input type="checkbox"/> Fier /Stație de călcat <input type="checkbox"/> Ventilator	<input type="checkbox"/> Radiator electric <input type="checkbox"/> Sterilizator UV <input type="checkbox"/> Convector electric
Model / Serie:.....		

VĂNZĂTOR
Nr. factură:.....Data:
Vanzător (firma, localitatea):

CUMPĂRĂTOR
NumeLocalitatea
Str.Nr.BlocSc.Et.Ap.
Județ TelefonE-mail
S-a efectuat proba de funcționare a aparatului, s-a prezentat modul de folosire, s-au predat instrucțiunile de utilizare și toate accesoriile. Am primit aparatul în perfectă stare de funcționare.

Stimați clienți,
La cumpărare vă recomandăm să solicitați efectuarea probei de funcționare și să verificați existența instrucțiunilor de utilizare și a accesoriilor.
Pentru a putea beneficia de toate avantajele produselor și serviciilor noastre vă rugăm:
- să citiți cu atenție și să respectați recomandările prezentate în "Instrucțiunile de utilizare".
- să păstrați cu grijă acest certificat pentru a-l putea prezenta (împreună cu documentul fiscal de achiziție), personalului SERVICE ARCTIC, la orice sesizare efectuată în perioada de garanție.
Vă mulțumim că ați optat pentru cumpărarea unui produs Beko!

Garanția legală de conformitate

Durata medie de utilizare a produsului este de 5 ani!

Perioada de garanție legală de conformitate este de 2 ani de la livrarea produsului*,
*prin „produs” se înțelege „bun” conform OUG nr. 140/2021¹

Perioada de garanție legală de conformitate pentru conținutul digital sau serviciul digital în cazul bunurilor cu elemente digitale pentru care contractul de vânzare-cumpărare prevede furnizarea continuă de conținut digital sau a serviciului digital pe durată determinată este de:

- 2 ani de la livrare, respectiv de la livrarea bunului - pentru produse cu durata medie de utilizare de 5 ani (art. 9 (3) din OUG nr. 140/2021);
- 5 ani de la livrare, respectiv de la livrarea bunului - pentru produse cu durata medie de utilizare mai mare de 5 ani (art. 9 (3) din OUG nr. 140/2021);
- Pe tot parcursul perioadei de furnizare a conținutului / serviciului digital - pentru furnizare continuă a conținutului / serviciului digital pe o perioadă mai mare de 5 ani (art. 9 (4) din OUG nr. 140/2021).

¹Ordonanță de urgență 140/2021 privind anumite aspecte referitoare la contractele de vânzare de bunuri



Service-ul acestui produs este asigurat de ARCTIC S.A. cu sediul în Găești, Dâmbovița, str. 13 Decembrie nr. 210. • *9010 • www.arctic.ro • www.beko.ro • e-mail: service@arctic.ro
Program Call Center: Luni - Vineri 08:30 - 20:00; Sâmbătă 08:30 - 17:00



Remedii incluse în garanția legală de conformitate conform OUG nr. 140/2021

(vă rugăm să aveți în vedere prevederile de mai jos)

ARCTIC garantează toate drepturile legale prevăzute de OUG nr. 140/2021 în beneficiul consumatorilor cu privire la garanția legală de conformitate. Dispozițiile prezentului certificat de garanție legală de conformitate se completează, în mod corespunzător, cu dispozițiile OUG nr. 140/2021.

În caz de neconformitate, consumatorul are dreptul de a beneficia de aducerea în conformitate a bunurilor, de a beneficia de o reducere proporțională a prețului sau de a obține încetarea contractului, în condițiile legii - art. 11 (1).

Consumatorii pot să opteze pentru o anumită măsură corectivă în cazul în care neconformitatea bunurilor este constatată la scurt timp după livrare, fără a depăși 30 de zile calendaristice - art. 11 (7).

Pentru ca bunurile să fie aduse în conformitate, consumatorul poate opta între reparație și înlocuire, cu excepția cazului în care măsura corectivă aleasă ar fi imposibilă sau, în comparație cu cealaltă măsură corectivă disponibilă, ar impune vânzătorului costuri care ar fi disproporționate, luând în considerare toate circumstanțele (ex. valoarea bunurilor în cazul în care nu ar fi existat neconformitatea, gravitatea neconformității sau dacă măsura corectivă alternativă ar putea fi executată fără vreun inconvenient semnificativ pentru consumator) - art. 11 (2).

Instalarea incorectă a bunurilor (art. 7).

Orice neconformitate cauzată de instalarea incorectă a bunurilor este considerată ca reprezentând o neconformitate a bunurilor, în oricare din următoarele situații:

- a) instalarea face parte din contractul de vânzare și a fost realizată de vânzător sau sub răspunderea vânzătorului;
- b) instalarea, destinată să fie realizată de consumator, a fost realizată de acesta și instalarea incorectă s-a datorat unor deficiențe în instrucțiunile de instalare furnizate de vânzător sau, în cazul bunurilor cu elemente digitale, de către vânzătorul sau furnizorul conținutului digital sau al serviciului digital.

Proba neconformității.

Orice neconformitate care este constatată în termen de un an de la data la care bunurile (inclusiv cele cu elemente digitale) au fost livrate este prezumată a fi existat deja în momentul livrării bunurilor până la proba contrarie sau cu excepția cazului în care această prezumție este incompatibilă cu natura bunurilor sau cu natura neconformității - art. 10 (1).

În cazul bunurilor cu elemente digitale pentru care contractul de vânzare prevede furnizarea continuă de conținut digital sau de servicii digitale pentru o anumită perioadă, sarcina probei cu privire la conformitatea conținutului digital sau a serviciului digital pe parcursul perioadelor de garanție legală îi revine vânzătorului în cazul unei neconformități care este constatată pe parcursul acestei perioade - art. 10 (3).

Remediere prin reparație.

În cazul în care neconformitatea este remediată prin reparație, termenele de garanție legală se prelungesc cu timpul de nefuncționare a bunului, din momentul la care a fost adusă la cunoștința vânzătorului lipsa de conformitate până la predarea efectivă a bunului în stare de utilizare normală către consumator - art. 12 (6).

Remediere prin înlocuire.

În cazul în care neconformitatea este remediată prin înlocuire, pentru bunurile care înlocuiesc bunurile neconforme, termenele legale de garanție pentru produsul înlocuit încep să curgă de la data înlocuirii cu noul produs - art. 12 (7).

Reducerea prețului și încetarea contractului.

Consumatorul are dreptul fie să obțină o reducere proporțională a prețului în conformitate cu legea, fie să obțină încetarea contractului de vânzare în condițiile legii, în oricare dintre următoarele cazuri - art. 11(4):

- a) vânzătorul nu a finalizat reparația sau înlocuirea sau, după caz, nu a finalizat reparația sau înlocuirea potrivit prevederilor legii sau vânzătorul a refuzat să aducă în conformitate bunurile potrivit prevederilor legii;
- b) se constată o neconformitate, în pofida eforturilor vânzătorului de a o remedia;
- c) neconformitatea este de o asemenea gravitate încât justifică o reducere de preț sau dreptul la încetarea imediată a contractului de vânzare;
- d) vânzătorul a declarat că nu va aduce bunurile în conformitate într-un termen rezonabil sau fără inconveniente semnificative pentru consumator ori acest lucru reiese clar din circumstanțele cazului.

Consumatorul are dreptul de a suspenda plata unei părți restante din prețul bunurilor sau a unei părți a acesteia până în momentul în care vânzătorul își va fi îndeplinit obligațiile care îi revin în temeiul legii - art. 11(6). Reducerea de preț este proporțională cu diminuarea valorii bunurilor primite de consumator în comparație cu valoarea pe care bunurile ar avea-o dacă ar fi în conformitate - art.13.

Încetarea contractului:

- a) nu poate fi solicitată dacă vânzătorul dovedește că neconformitatea este minoră;
- b) poate fi solicitată pentru totalitatea bunurilor achiziționate și livrate, deși motivul de încetare vizează doar anumite bunuri, în cazul în care consumatorul nu i se poate pretinde în mod rezonabil să accepte să păstreze numai bunurile conforme;
- c) determină obligația consumatorului de a returna vânzătorului bunurile, pe cheltuiala vânzătorului;
- d) determină obligația vânzătorului de a rambursa consumatorului prețul plătit pentru bunuri la primirea bunurilor sau a unei dovezi prezentate de consumator că bunurile au fost returnate; vânzătorul va folosi aceleași modalități de plată ca și cele folosite de consumator pentru tranzacția inițială, cu excepția cazului în care consumatorul a fost de acord cu o altă modalitate de plată și cu condiția de a nu cădea în sarcina consumatorului plata de comisioane în urma rambursării.

Garanția legală pentru viciu ascuns este aplicabilă în condițiile legii, conform OG nr. 21/1992 (reviziu 2) privind protecția consumatorului, OUG nr. 140/2021 și Codului Civil. Viciul ascuns reprezintă deficiența calitativă a unui produs livrat sau a unui serviciu prestat care nu a fost cunoscută și nici nu putea fi cunoscută de către consumator prin mijloacele obișnuite de verificare.



Service-ul acestui produs este asigurat de ARCTIC S.A. cu sediul în Găești, Dâmbovița, str. 13 Decembrie nr. 210. • *9010 • www.arctic.ro • www.beko.ro • e-mail: service@arctic.ro
Program Call Center: Luni - Vineri 08:30 - 20:00; Sâmbătă 08:30 - 17:00

UNITĂȚILE SERVICE ALE ARCTICS.A. EXECUTĂ REPARAȚII ÎN TERMENUL DE GARANȚIE ȘI ÎN AFARA ACESTUIA

Nr. crt.	Data Reclamației	Data primirii în reparație	Reparat		Reparația curentă și/sau componenta înlocuită	Prelungirea termenului de garanție	Efectuarea verificării	
			Programat	Data ridicării aparatului			Cauza întârzierii	SERVICE

CONDITII SUPPLEMENTARE DE GARANTIE LEGALĂ DE CONFORMITATE:

Pentru orice defecțiune aparută în perioada de garanție legală, apelați la vânzător (respectiv, prin magazinul de unde a fost achiziționat produsul sau direct, prin Call Center Arctic). Prelungirea termenului de garanție se va înscrie în certificatul de garanție de către unitatea SERVICE care a efectuat reparația. Garanția acoperă repararea și/sau înlocuirea pieselor constatate ca neconforme în sensul OUG nr. 140/2021 (necauzate de consumator) de către tehnicienii Service Arctic. Termenul de realizare a operațiilor de reparație, înlocuire sau întreținere, este de 15 zile calendaristice de la data la care cumpărătorul a sesizat lipsa de conformitate către vânzător (respectiv, prin magazinul de unde a achiziționat produsul sau direct prin Call Center Arctic).

Reparațiile / înlocuirile se efectuează cu respectarea următoarelor condiții - art. 12(1)-(5) din OUG nr. 140/2021:

- a) fără costuri și fără vreun inconvenient semnificativ pentru consumator, fiindă seama de natura bunurilor și de scopul pentru care consumatorul a solicitat bunurile în cauză;
- b) consumatorul pune bunurile la dispoziția vânzătorului, iar vânzătorul preia bunurile înlocuite pe propria cheie; și
- c) obligația de a repara sau înlocui bunurile include, după caz, demontarea bunurilor neconforme și instalarea bunurilor de înlocuire sau a bunurilor reparate sau suportarea costurilor aferente demontării și instalării;

consumatorul nu este obligat să plătească pentru utilizarea normală a bunurilor înlocuite în perioada care a precedat înlocuirea acestora.

Reclamațiile referitoare la aspectele prevăzute mai jos, se rezolvă numai contra cost:

- piesele și accesoriile care prezintă lovituri, zgârieturi, spărturi sau deformări din vina exclusivă a consumatorului.

PRODUSUL NU BENEFICIAZĂ DE GARANȚIE LEGALĂ DE CONFORMITATE ÎN URMĂTOARELE CAZURI:

1. Nu au fost respectate instrucțiunile de transport, manipulare, instalare, utilizare și întreținere prescrite.
2. Subansamblurile și accesoriile casabile care se deteriorează în timpul transportului vor fi înlocuite de vânzător (în cazul în care transportul e asigurat de vânzător sau sub responsabilitatea acestuia).
3. Garanția nu se acordă subansamblurilor și accesoriilor casabile ale produselor care suferă deteriorări din vina exclusivă a consumatorului.
4. Tensiunea de alimentare are valori care nu se încadrează în limitele prevăzute de standarde (SR EN 50160).
5. Instalația electrică a utilizatorului prezintă improvizații sau neconformități.
6. Produsul a fost folosit în alte scopuri decât cel pentru care a fost proiectat.
7. Produsul a suportat intervenții (reparații, modificări) din partea unor persoane neautorizate de producător.

Drepturile consumatorului sunt cele prevăzute în OUG nr. 140/2021 și OG 21/1992 (republicată).

În cadrul acestui proces, Arctic vă prelucrează date cu caracter personal, cu respectarea legilor aplicabile privind confidențialitatea și protecția datelor. Pentru informații complete despre modul în care vă prelucreăm datele, precum și despre drepturile dumneavoastră, vă rugăm să consultați secțiunea "Protecția datelor personale", accesând site-ul nostru la adresa <https://www.beko.ro/>.




Proszę najpierw przeczytać ten przewodnik!

Drogi kliencie,

Dziękujemy za wybór produktu Beko. Chcemy, abyś osiągnął optymalną wydajność dzięki temu wysokiej jakości produktowi, który został wyprodukowany przy użyciu najnowocześniejszej technologii. Przed użyciem należy dokładnie przeczytać i zrozumieć ten przewodnik oraz dokumentację uzupełniającą oraz zachować go do wykorzystania w przyszłości. Dołącz ten przewodnik do urządzenia, jeśli przekażesz go komuś innemu. Przestrzegaj wszystkich ostrzeżeń i informacji zawartych w tym dokumencie i postępuj zgodnie z instrukcjami.

Symbole i ich znaczenie

Poniższe symbole są używane w tym przewodniku:

	Ważne informacje i przydatne wskazówki dotyczące użytkowania.
	OSTRZEŻENIE: Ostrzeżenia dotyczące sytuacji zagrażających bezpieczeństwu, życiu i mieniu.
	Stopień ochrony przed porażeniem elektrycznym



**PAPIER POCHODZĄCY
Z RECYKLINGU
I NADAJĄCY SIĘ DO PONOWNEGO RECYKLINGU**

1 Ważne instrukcje dotyczące bezpieczeństwa i ochrony środowiska

Ta sekcja zawiera instrukcje bezpieczeństwa, aby zapobiec zagrożeniom, które mogą spowodować obrażenia ciała lub uszkodzenie mienia.

Wszelkie gwarancje są nie będą ważne, jeśli instrukcje nie będą przestrzegane.

1.1 Ogólne zasady bezpieczeństwa

- Urządzenie jest zgodne z międzynarodowymi normami bezpieczeństwa.
- Z urządzenia mogą korzystać dzieci powyżej 8 roku życia i osoby o ograniczonej sprawności fizycznej, sensorycznej lub umysłowej, bądź o niedostatecznym doświadczeniu i wiedzy jedynie pod nadzorem lub po przeszkoleniu w zakresie bezpiecznej obsługi i zagrożeń. Dzieciom nie wolno używać urządzenia do zabawy. Czyszczenie i konserwacja nie powinny być wykonywane przez dzieci bez nadzoru.
- Nie używaj urządzenia, jeśli kabel zasilania lub wtyczka są uszkodzone. Skontaktuj się z autoryzowanym serwisem.
- Zasilanie sieciowe powinno być zgodne z informacjami podanymi na tabliczce znamionowej urządzenia.
- Z urządzeniem nie należy używać przedłużaczy.
- Aby zapobiec uszkodzeniu przewodu zasilającego, nie należy go przyciskać, zaciskać ani ocierać o ostre krawędzie.
- Nie wolno dotykać urządzenia i jego wtyczki mokrymi ani wilgotnymi dłońmi, jeśli jest ono podłączone do zasilania.
- Nie należy wyjmować wtyczki z gniazdka, ciągnąc za przewód zasilający.
- Nie odkurzać materiałów łatwopalnych. Należy upewnić się, że popiół z papierosów ostygł przed odkurzaniem.
- Nie odkurzać wody i innych cieczy.
- Chronić urządzenie przed opadami atmosferycznymi, wilgocią i źródłami ciepła.

1 Ważne instrukcje dotyczące bezpieczeństwa i ochrony środowiska

- Urządzenia nie należy używać w otoczeniu lub w pobliżu materiałów wybuchowych lub łatwopalnych.
- Przed przystąpieniem do czyszczenia i konserwacji urządzenia należy odłączyć je od zasilania.
- Podczas czyszczenia nie wolno zanurzać urządzenia ani przewodu zasilającego w wodzie.
- Nie demontuj urządzenia.
- Należy stosować wyłącznie oryginalne lub zalecane przez producenta części zamienne.
- Aby zapobiec zatkaniu filtra lub uszkodzeniu silnika, nie należy odkurzać cementu, tynku ani fragmentów prasowanego papieru.
- Urządzenia należy używać wyłącznie z dołączonym zasilaczem.
- Nie używać urządzenia bez filtrów. Może to spowodować jego uszkodzenie.
- Opakowanie urządzenia należy przechowywać poza zasięgiem dzieci.
- Niniejsze urządzenie nie jest przeznaczone dla osób, w tym dzieci, niepełnosprawnych fizycznie, zmysłowo lub umysłowo lub tych, które nie posiadają odpowiedniego doświadczenia i wiedzy na temat jego użytkowania, chyba że znajdują się pod nadzorem osoby odpowiedzialnej za bezpieczeństwo urządzenia lub zostały przeszkolone.
- Dzieci należy nadzorować, aby nie bawiły się urządzeniem.
- Przed przystąpieniem do czyszczenia lub konserwacji, należy odłączyć i wyjąć adapter sieciowy.
- Aby uniknąć ryzyka obrażeń, uszkodzony adapter powinien zostać wymieniony przez producenta, autoryzowanego przedstawiciela lub wykwalifikowanego technika.
- Trzymaj palce, włosy i luźne części ubrania z dala od otworów oraz ruchomych części urządzenia.
- Przed wyrzuceniem urządzenia należy wyjąć akumulator.

1 Ważne instrukcje dotyczące bezpieczeństwa i ochrony środowiska

- Przed wyjęciem akumulatora należy odłączyć urządzenie od źródła zasilania.
- Zużyte akumulatory należy utylizować zgodnie z lokalnymi przepisami i regulacjami.
- Akumulatory mogą być usunięte tylko przez wykwalifikowane osoby
- Urządzenie nie jest przeznaczone do użytku komercyjnego. Ten produkt nie jest przeznaczony do użytku komercyjnego, jest przeznaczony do użytku domowego i do następujących zastosowań:
 - w kuchniach pracowniczych w sklepach, biurach i innych środowiskach
 - na farmach;
 - dla klientów w hotelach, motelach lub innych miejscach
 - hostelach i podobnych miejscach
- **OSTRZEŻENIE:** Aby naładować akumulator, użyj wyjmowanego zasilacza HCX1501-3200450E dostarczonego z urządzeniem.
- Niniejsze urządzenie nie jest przeznaczone dla dzieci i osób niepełnosprawnych fizycznie, zmysłowo lub umysłowo lub tych, które nie posiadają odpowiedniego doświadczenia i wiedzy na temat jego użytkowania, chyba że znajdują się pod nadzorem lub zostały przeszkolone.
- Dzieci należy nadzorować, aby nie bawiły się urządzeniem.

1.2 Zgodność z dyrektywą WEEE i usuwanie odpadów



Zakupione urządzenie jest zgodne z dyrektywą WEEE UE (2012/19/UE). Produkt jest oznaczony symbolem klasyfikacji zużytego sprzętu elektrycznego i elektronicznego (WEEE). Ten symbol oznacza, że produkt ten nie może być wyrzucony wraz z innymi odpadami domowymi po zakończeniu okresu użytkowania. Zużyte urządzenie należy oddać do specjalnego punktu zbiórki zużytego sprzętu elektrycznego i elektronicznego w celu utylizacji. Aby uzyskać informacje o punktach zbiórki w swojej okolicy należy skontaktować się z lokalnymi władzami lub punktem sprzedaży tego produktu. Gospodarstwo domowe spełnia ważną rolę w przyczynianiu się do ponownego użycia i odzysku zużytego sprzętu. Właściwa utylizacja zużytego urządzenia pomaga zapobiegać potencjalnym negatywnym konsekwencjom dla środowiska i zdrowia ludzi.

1 Ważne instrukcje dotyczące bezpieczeństwa i ochrony środowiska

1.3 Opakowanie urządzenia



Opakowanie urządzenia jest wykonane z materiałów nadających się do recyklingu zgodnie z przepisami krajowymi.

Nie należy wyrzucać odpadów opakowaniowych wraz z odpadami pochodzącymi z gospodarstw domowych lub innymi odpadami. Należy oddawać je do punktów zbiórki opakowań wyznaczonych przez władze lokalne.

1.4 Zużyte akumulatory



Ten symbol na opakowaniu opakowania związanego z bateriami akumulatorowymi oznacza, że baterii akumulatorowych nie należy wyrzucać razem z odpadami domowymi. Przy niektórych akumulatorach

symbolowi temu może towarzyszyć symbol chemiczny.

Mogą widnieć również symbole rtęci (Hg) i ołowiu (Pb) – jeśli akumulatory zawierają więcej niż 0,0005% rtęci i więcej niż 0,004% ołowiu.

Baterii wielokrotnego ładowania nie należy usuwać wraz z odpadami pochodzącymi z gospodarstw domowych, nawet jeśli nie zawierają metali ciężkich. Zużyte baterie należy zawsze utylizować zgodnie z lokalnymi przepisami dotyczącymi ochrony środowiska. Należy zapoznać się z przepisami dotyczącymi utylizacji odpadów obowiązującymi w danym miejscu zamieszkania.

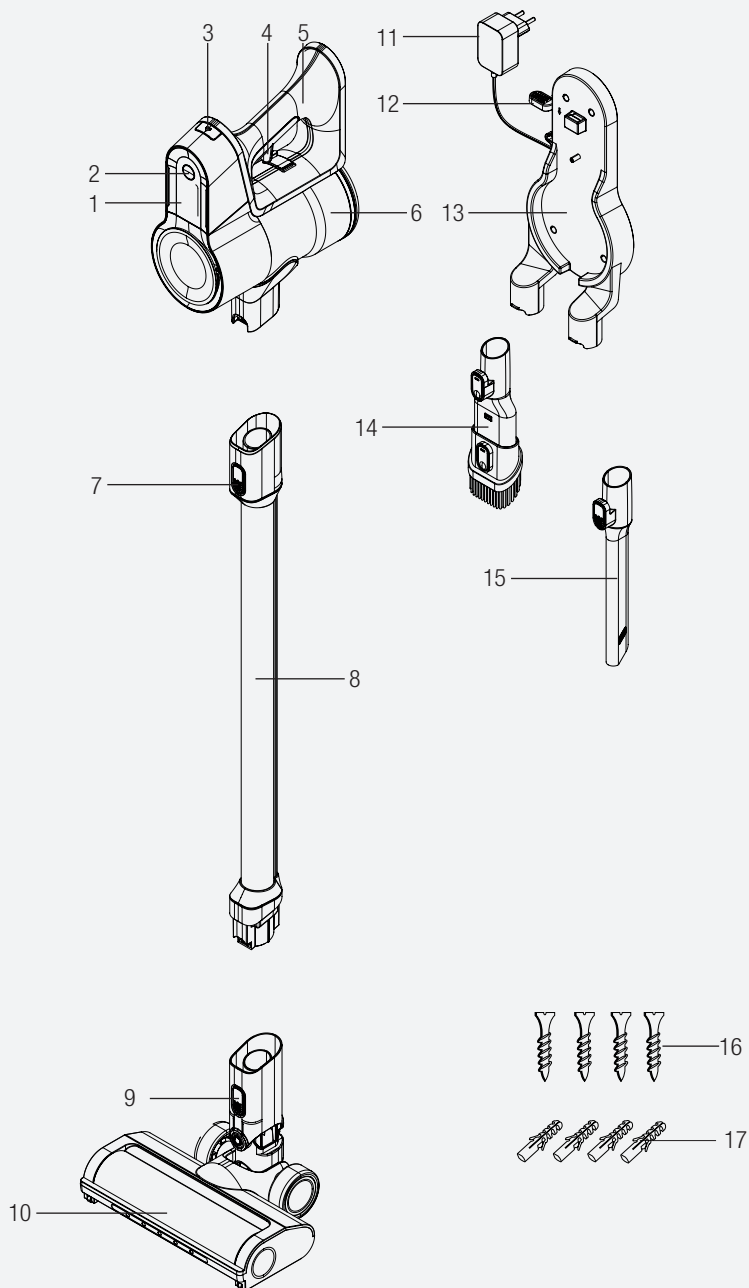
1.5. Co robić, aby zaoszczędzić energię.

- Podczas korzystania z urządzenia dostosuj ustawienia prędkości do powierzchni, aby oszczędzać energię.
- Zwykle niższe prędkości są używane do czyszczenia twardych powierzchni, zasłon i sof, podczas gdy wysokie do czyszczenia dywanów.

1.6 Zgodność z dyrektywą RoHS

Niniejsze urządzenie jest zgodne z dyrektywą UE RoHS (2011/65/UE). Nie zawiera szkodliwych i zakazanych materiałów, podanych w tej dyrektywie .

2 Instalacja




2 Instalacja

2.1 Elementy sterujące i komponenty

1. Wyświetlacz LED
2. Przycisk regulacji prędkości
3. Przycisk zwalniający akumulator
4. Przycisk wł./wył.
5. Uchwyt
6. Pojemnik na kurz
7. Przycisk zwalniania rury
8. Rura
9. Przycisk zwalniania elektrycznej turboszczotki
10. Elektryczna turboszczotka
11. Adapter do ładowania
12. Przycisk zwalniania końcówki
13. Stacja ładująca
14. Miękka szczotka do kurzu
15. Ssawka szczelinowa
16. Śruba (4 szt.)
17. Kołek (4 szt.)

2.2 Dane techniczne

Nominalna moc wejściowa	350 W
Wejście	100-240 V ~ 50-60 Hz 0,5 A
Wyjście	32 V  0,45 A
Czas ładowania	4-6 godzin
Czas pracy przy max. mocy	10 min.
Czas pracy przy śr. mocy	20 min.
Czas pracy przy min. mocy	45 min.

Producent zastrzega sobie prawo do zmian technicznych i projektowych.

Wartości podane wraz z urządzeniem lub w dołączonych dokumentach są odczytami laboratoryjnymi, zgodnie z odpowiednimi normami. Wartości te mogą się różnić w zależności od warunków użytkowania i otoczenia.

2 Instalacja

Parametr zewnętrznego źródła zasilania

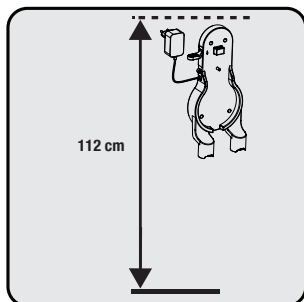
Producent:	Guangdong Huachuangxing Power Supply Co.,Ltd
ID modelu:	HCX1501-3200450E
Napięcie wejściowe:	100-240V~
Częstotliwość wejściowa:	50-60Hz
Prąd wejściowy:	0,5A
Prąd wyjściowy	32,0V
Prąd wyjściowy	0,45A
Moc wyjściowa:	14,4W
Średnia sprawność podczas pracy:	85,5%
Wydajność przy niskim obciążeniu (10%):	83,33%
Pobór mocy bez obciążenia:	0,041W

3 Instalacja

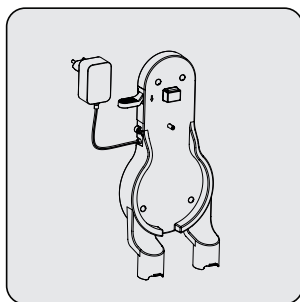
3.1 Przeznaczenie

Niniejsze urządzenie jest przeznaczone do użytku domowego i nie nadaje się do użytku przemysłowego.

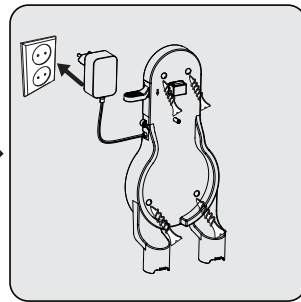
3.2 Instalacja stacji ładującej



Ustaw stację ładującą na wysokości minimum 112 cm od podłogi.

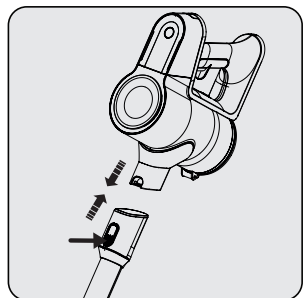


1- Zamocuj cztery kołki do ściany
2- Umieść cztery śruby w odpowiednich miejscach w stacji ładującej i zamontuj na kołkach na ścianie.

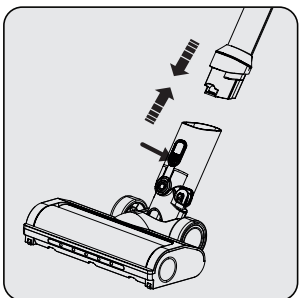


Podłącz adapter ładowania do gniazdka.

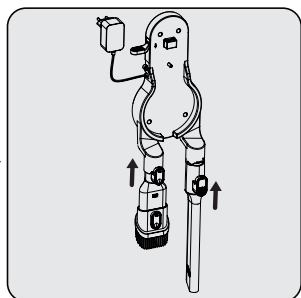
3.3 Instalacja korpusu i szczotki



Popchnij rurę w kierunku strzałki w stronę korpusu, naciskając przycisk zwalnający rury.



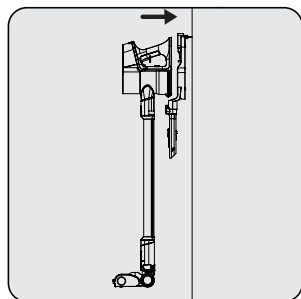
Naciśnij przycisk zwalnający turboszczotkę elektryczną na turboszczotce elektrycznej i popchnij ją w kierunku strzałki w stronę rury.



Podłącz ssawkę szczelinową i miękką szczotkę do kurzu do stacji ładującej.

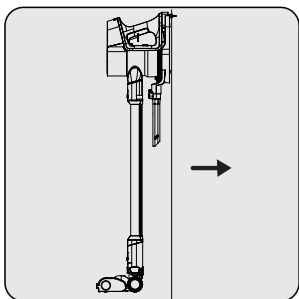
4 Obsługa

4.1 Ładowanie urządzenia

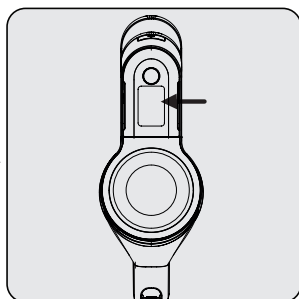


Umieść urządzenie na stacji ładującej.

Po umieszczeniu pojemnika na kurz w stacji ładującej, popchnij urządzenie w kierunku stacji ładującej.



Podłącz adapter ładowania do gniazdka.



Po umieszczeniu urządzenia w stacji ładującej rozpocznie się ładowanie, a na ekranie pojawi się procent naładowania. Wartość procentowa (%) i wskaźnik naładowania akumulatora zwiększają się w miarę ładowania urządzenia.

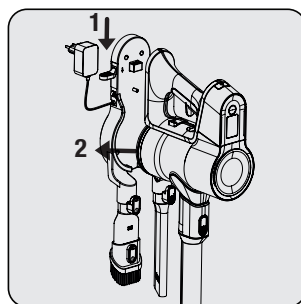


Naładowanie urządzenia do pełna zajmuje od 4 do 6 godzin. Nie należy obsługiwać urządzenia w trakcie jego ładowania.



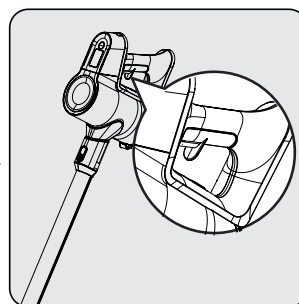
Jeżeli urządzenie zostanie umieszczone w stacji ładującej podczas pracy wówczas zostanie automatycznie zatrzymane.

4.2 Użycie

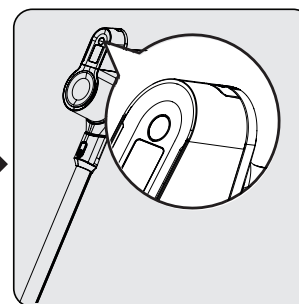


1- Wciśnij przełącznik zwalniający urządzenie przycisku na stacji ładującej w dół i jednocześnie pociągnij urządzenie do siebie.

2- Wymnij urządzenie ze stacji ładującej.



Naciśnij przycisk włączania/wyłączania, aby uruchomić urządzenie. Urządzenie rozpoczyna pracę z minimalną mocą po naciśnięciu przycisku włączania/wyłączania.

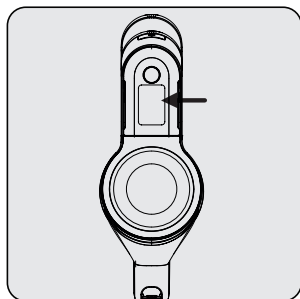


Aby dostosować poziom prędkości, naciśnij przycisk. Na ekranie zostanie wyświetlona informacja o używanym trybie ssania: min, średni i wysoki. Naciśnięcie przycisku można regulować poziom prędkości.

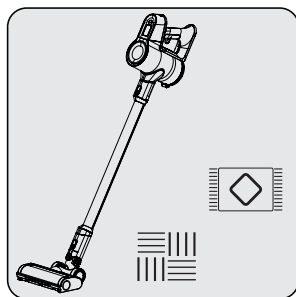
4 Obsługa



Urządzenie może być ładowane przed całkowitym rozładowaniem akumulatora. Urządzenie można nieprzerwanie ładować w stacji ładującej do następnego użycia.



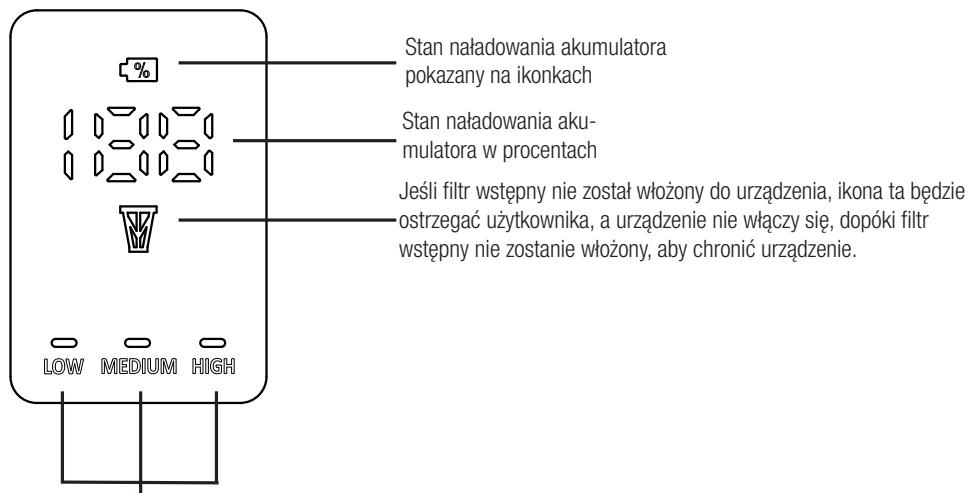
Zwracaj uwagę na procentowy poziom naładowania akumulatora podczas pracy urządzenia. Procentowy poziom naładowania akumulatora powinien być śledzony podczas użytkowania, gdy jest rozładowany, urządzenie przestaje działać automatycznie.



Urządzenie nadaje się do czyszczenia dywanów i twardych podłóg.

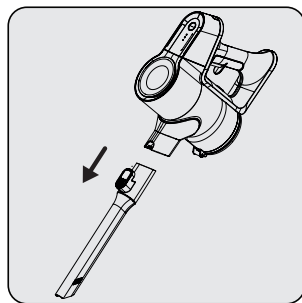
4 Obsługa

4.3 Wskaźniki ekranowe LED

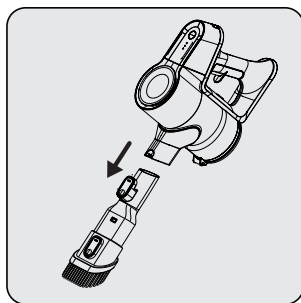


Ikony te pokazują używany tryb ssania.

4.4 Akcesoria



Ssawka szczelinowa: Nadaje się do odkurzania tylnej części mebli, trudno dostępnych miejsc i wąskich obszarów.



Miękka szczotka do kurzu: Odpowiednia do odkurzania zastan, kanap, mebli z woskowaniem oraz delikatnych i kruchych przedmiotów.

5 Czyszczenie i konserwacja

Przed czyszczeniem należy wyłączyć urządzenie i wyciągnąć wtyczkę z gniazdka.



OSTRZEŻENIE: Do czyszczenia urządzenia nie wolno używać benzyny, rozpuszczalników, szorstkich środków czyszczących, przedmiotów metalowych ani twardych szczotek.



OSTRZEŻENIE: W wyniku użytkowania po pewnym czasie na filtrach mogą pojawić się odkształcenia. Aby zapobiec utracie wydajności należy go wymienić na nowy. Skontaktuj się z obsługą klienta w celu zakupu nowego filtra.

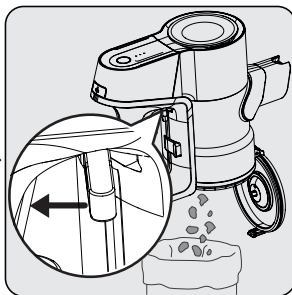
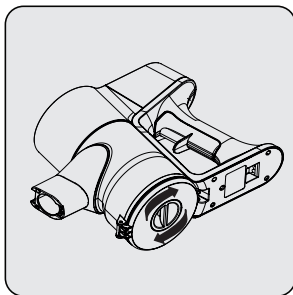
5.1 Czyszczenie pojemnika na kurz i filtrów



OSTRZEŻENIE: Nie myć filtrów.



Zalecamy czyszczenie pojemnika na kurz po każdym cyklu sprzątania.

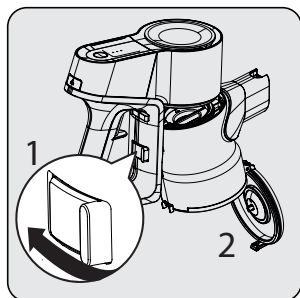


Powierzchnię korpusu przetrzyj wilgotną szmatką.

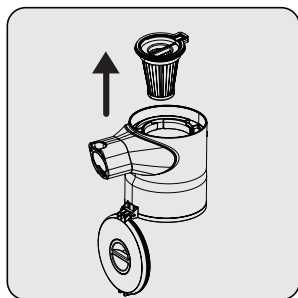
Aby urządzenie działało z wysoką wydajnością przez długi czas, może być konieczne wyczyszczenie filtra poprzez obrócenie mechanizmu pod pojemnikiem na kurz. Pomoże to w łatwym oczyszczeniu filtra.

Pociągnij spust opróżnianego pojemnika na kurz do ostatniego punktu. Pokrywa pojemnika na kurz otworzy się. Usuń znajdujący się w nim kurz.

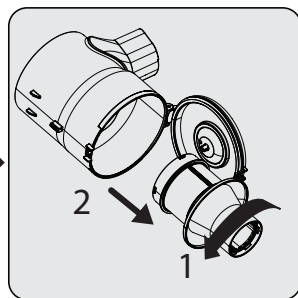
5 Czyszczenie i konserwacja



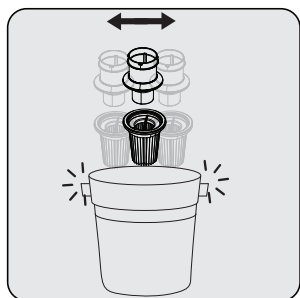
Aby dokładnie wyczyścić filtry, wyjmij pojemnik na kurz, popychając przycisk w lewą stronę.



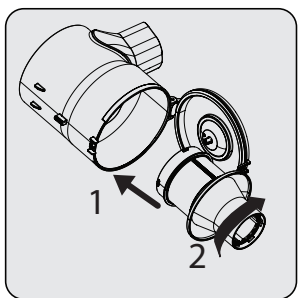
Oddziel filtr wstępny od filtra plastikowego.



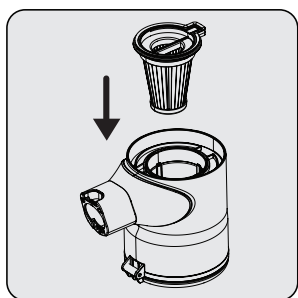
Aby wyjąć plastikowy filtr, najpierw obróć plastikowy filtr w kierunku przeciwnym do ruchu wskazówek zegara (1), a następnie wyciągnij filtr (2).



Usuń kurz z filtra wstępnego, stukając nim o twardą powierzchnię, taką jak kosz na śmieci, lub za pomocą szczotki.

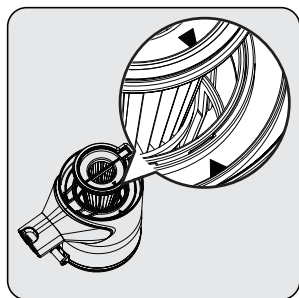


Aby włożyć plastikowy filtr, najpierw włóż plastikowy filtr (1), a następnie obróć go zgodnie z ruchem wskazówek zegara, aby go zablokować (2)

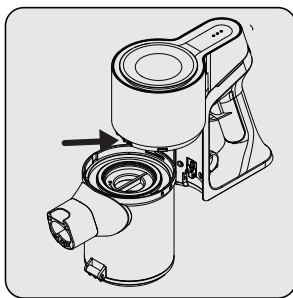


Zamocuj filtr wstępny z powrotem do filtra plastikowego.

5 Czyszczenie i konserwacja



Podczas umieszczania filtra wstępnego upewnij się, że strzałki na filtrze wstępnym i korpusie są wyrównane.

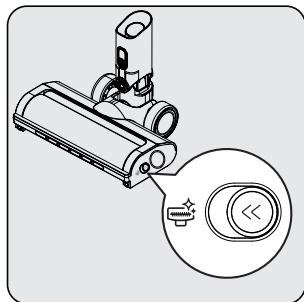


Zamocuj łącznik pojemnika na kurz do otworów w korpusie, a następnie dociśnij, aż usłyszysz kliknięcie.

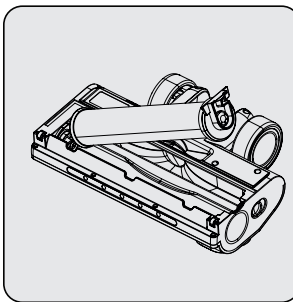
5.2 Czyszczenie szczotki



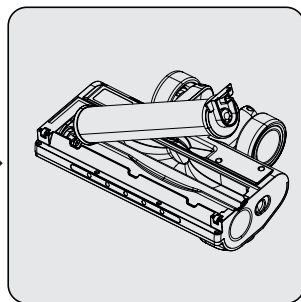
OSTRZEŻENIE: Nie myj turboszczotki ani głównej szczotki walcowej.



Przesuń przycisk zwalniania rolki z lewą stronę.



Usuń kurz, stukając lekko o twardą powierzchnię lub używając szczotki. Jeśli jakiegolwiek włosy itp. są splecione, usuń je, odcinając.



Przymocuj rolkę z powrotem przez naciśnięcie.

5 Czyszczenie i konserwacja

5.3 Przechowywanie

- Jeśli urządzenie nie będzie używane przez dłuższy czas, należy je starannie przechowywać.
- Odłącz urządzenie od prądu.
- Urządzenie należy trzymać poza zasięgiem dzieci.
- Gdy nie używasz akumulatora przez dłuższy czas, przechowuj go w chłodnym i suchym miejscu w stanie naładowania do połowy. Nie ładuj ani nie rozładuj go całkowicie.
- Akumulator należy przechowywać na materiale nieprzewodzącym i nie dopuszczać do bezpośredniego kontaktu akumulatora z metalem. Może to spowodować uszkodzenie akumulatora.

5.4 Transport i wysyłka

- Urządzenie należy przenosić i wysyłać w oryginalnym opakowaniu. Zabezpiecza ono urządzenie przed fizycznymi uszkodzeniami.
- Nie wolno umieszczać ciężkich ładunków na urządzeniu lub opakowaniu. W przeciwnym razie urządzenie może zostać uszkodzone.
- Jeśli urządzenie zostanie upuszczone, może nie działać lub może dojść do trwałego uszkodzenia.

Drodzy Klienci,

Dziękujemy za zakup naszych produktów. Jesteśmy przekonani, że nasze urządzenia będą służyć przez lata. Każdy produkt firmy Beko jest objęty 2-letnim okresem gwarancji.

Warunki gwarancji Beko S.A. (małe urządzenia AGD)

BEKO spółka akcyjna z siedzibą w Warszawie (02-819), przy ulicy Puławskiej 366, wpisana do rejestru przedsiębiorców prowadzonego przez Sąd Rejonowy dla m.st. Warszawy w Warszawie, XIII Wydział Gospodarczy Krajowego Rejestru Sądowego, pod numerem: 0000078147 (dalej: „BEKO”) udziela gwarancji jakości (dalej: „Gwarancja”) na wprowadzone przez BEKO do obrotu na terenie Polski produkty marki BEKO (dalej: „Urządzenia”) osobom, które nabyły te produkty („Użytkownik”) na następujących warunkach:

I. ZAKRES OCHRONY.

BEKO gwarantuje, że Urządzenie zakupione przez Użytkownika jest wolne od wad produkcyjnych lub materiałowych, powstałych z przyczyn tkwiących w tym Urządzeniu (dalej: „Wada”), które ujawnią się w ciągu terminu określonego w części II. niniejszych Warunków Gwarancji (dalej: „Okres Gwarancyjny”).

W razie ujawnienia się Wady Produktu w trakcie Okresu Gwarancyjnego, zostanie ona usunięta na koszt BEKO w sposób uzależniony od właściwości wady, na zasadach i w zakresie określonym w niniejszych Warunkach Gwarancji.

BEKO zobowiązuje się do usunięcia Wady poprzez dokonanie nieodpłatnej naprawy lub wymiany Urządzenia, bądź też reklamacja zgłoszona na podstawie niniejszych Warunków Gwarancji zostanie rozpatrzona w inny sposób uzgodniony przez BEKO i Użytkownika.

Udzielona gwarancja jest ważna na terytorium Rzeczypospolitej Polskiej.

II. CZAS TRWANIA GWARANCJI.

Okres Gwarancyjny wynosi 24 miesiące licząc od daty zakupu Urządzenia przez pierwszego Użytkownika.

III. PROCEDURA ZGŁOSZENIA REKLAMACYJNEGO.

Wady Urządzenia ujawnione w Okresie Gwarancyjnym będą usuwane pod warunkiem przedstawienia przez Użytkownika dowodu zakupu tego Urządzenia zawierającego oznaczenia niezbędne do jego identyfikacji (model, datę zakupu).

Uprawnienia wynikające z niniejszych Warunków Gwarancji mogą być zrealizowane przez Użytkownika wyłącznie w Autoryzowanych Punktach Serwisowych BEKO (dalej: „Serwis”) po uprzednim dokonaniu zgłoszenia na Infolinii BEKO pod numerem telefonu: 22 250 14 14. Urządzenie powinno być odpowiednio zapakowane i zabezpieczone przez Użytkownika na czas transportu do punktu serwisowego Beko.

Wady Urządzenia będą usunięte w terminie 14 dni od daty zgłoszenia Wady na Infolinii BEKO.

Jeżeli część zamienna wymieniana w ramach uprawnień wynikających z niniejszych Warunków Gwarancji Urządzenia jest sprowadzana z zagranicy, termin naprawy, o którym mowa w punkcie 5 powyżej, może ulec wydłużeniu jednak, nie więcej niż do 30 dni licząc odpowiednio od daty zgłoszenia Wady na Infolinii BEKO. Informacje o spodziewanych terminach napraw dostępne są na Infolinii BEKO pod numerem 22 250 14 14. Po usunięciu Wady, Urządzenie zostanie dostarczone Użytkownikowi na koszt BEKO.

IV. WYŁĄCZENIA.

Warunkiem skorzystania z niniejszych Warunków Gwarancji jest:

- użytkowanie Urządzenia zgodnie z Instrukcją Obsługi dołączonej do tego Urządzenia i jego przeznaczeniem, jak również odpowiednie czyszczenie i konserwację Urządzenia;
- użytkowanie w warunkach indywidualnego gospodarstwa domowego. Urządzenie nie jest używane do celów prowadzenia działalności gospodarczej lub w zastosowaniach eksploatacji masowej, w szczególności w gastronomicznej działalności hoteli, restauracji i innych obiektów turystyczno-rekreacyjnych lub zbiorowego żywienia. Stosowanie osprzętu zalecanego przez producenta; brak ingerencji w Urządzenie przez osoby do tego nieupoważnione; brak ingerencji w tabliczkę znamionową z numerem seryjnym Urządzenia.

Udzielona przez Beko Gwarancja nie obejmuje:

- wad powstałych z przyczyn innych niż tkwiące w Urządzeniu;
- normalnego zużycia elementów eksploatacyjnych tj. akumulatory, baterie, noże, filtry, żarówki, szczotki, itp.;
- czynności przewidzianych w Instrukcji Obsługi, do wykonania których zobowiązany jest Użytkownik Urządzenia we własnym zakresie i na swój koszt, w tym: instruktażu dotyczącego obsługi Urządzenia, instalacji oraz regulacji urządzenia.
- usterek powstałych w wyniku nieprawidłowego lub niewłaściwego użytkowania, niedbalstwa, przypadkowego uszkodzenia Urządzenia, nieodpowiedniego napięcia prądu lub dokonania jakichkolwiek zmian, które mają wpływ na niewłaściwe działanie Urządzenia, i które naprawiane były przez osoby nieupoważnione, używania instalacji niezgodnych z odpowiednimi Polskimi Normami i innych niż wymienione w Instrukcji Obsługi Urządzenia;
- uszkodzeń mechanicznych, termicznych, chemicznych, korozji, innych uszkodzeń spowodowanych działaniem lub zaniedbaniem Użytkownika lub powstałych na skutek działania sił zewnętrznych (do których zalicza się w szczególności wyładowania atmosferyczne, skoki napięcia, wszystkiego rodzaju awarie domowej instalacji wodno-kanalizacyjnej, itp.), a także powstałych na skutek przedostania się zanieczyszczeń lub ciał obcych do Urządzenia, zakamienienia (proces odkamieniania musi być przeprowadzany zgodnie z instrukcją obsługi z użyciem odpowiednich środków czyszczących) elementów ze szkła, plastiku oraz porcelany; odbarwień Urządzenia lub poszczególnych jego części;
- usterek powstałych na skutek przechowywania i użytkowania Urządzenia w warunkach, które są niezgodne z normalnymi warunkami domowymi określonymi wymaganiami powszechnie obowiązujących przepisów prawa i odpowiednich Polskich Norm;

V. POZOSTAŁE POSTANOWIENIA.

Niniejsze warunki gwarancji mają zastosowanie do Urządzeń zakupionych od dnia 01.03.2019 r. Gwarant oświadcza, że niniejsza Gwarancja jest udzielana Użytkownikowi dodatkowo i nie wyłącza, nie ogranicza ani nie zawiesza uprawnień Użytkownika wynikających z przepisów o rękojmi za wady rzeczy sprzedanej na podstawie Kodeksu cywilnego.


Si prega di leggere questa guida prima dell'uso!

Gentile Cliente,

Grazie per aver scelto un prodotto BEKO. Vorremmo che da questo prodotto di alta qualità, fabbricato con una tecnologia all'avanguardia, ottenessi l'efficienza ottimale. Prima dell'uso assicurati di aver letto e compreso a fondo questa guida e la documentazione supplementare e conservale come riferimento. Fornisci questa guida con l'unità se la consegni a qualcun altro. Osserva tutte le avvertenze e le informazioni qui contenute e segui le istruzioni.

Simboli e loro significati

In tutta questa guida sono utilizzati i seguenti simboli:

	Informazioni importanti e suggerimenti utili sull'uso.
--	--

	ATTENZIONE: Avvertenze relative a situazioni pericolose riguardanti la sicurezza della vita e delle cose.
--	--

	Grado di protezione contro le scosse elettriche
--	---

1 Importanti istruzioni di sicurezza e ambientali

Questa sezione contiene istruzioni di sicurezza per prevenire pericoli che possono provocare lesioni o danni materiali.

Qualsiasi garanzia è nulla se queste istruzioni non vengono seguite.

1.1 Norme di sicurezza generali

- Questo elettrodomestico è conforme alle norme di sicurezza internazionali.
- Questo dispositivo può essere utilizzato da bambini di età superiore a 8 anni, persone con problemi fisici, uditivi o mentali o persone con mancanza di esperienza o conoscenza; purché ne sia garantito il controllo o vengano fornite informazioni sui pericoli. I bambini non devono giocare con l'apparecchiatura. La pulizia e gli interventi di manutenzione non dovranno essere eseguiti dai bambini non sorvegliati.
- Non utilizzare l'elettrodomestico se il cavo di alimentazione o l'elettrodomestico stesso sono danneggiati. Contattare il servizio autorizzato.
- L'alimentazione di rete deve corrispondere alle informazioni riportate sull'etichetta della targhetta dell'elettrodomestico.
- Non usare l'elettrodomestico con una prolunga.
- Per evitare di danneggiare il cavo di alimentazione, evitare che venga pizzicato, piegato o sfregato contro bordi taglienti.
- Non toccare la spina dell'elettrodomestico se le mani sono bagnate o umide, quando l'elettrodomestico è collegato.
- Non tirare il cavo mentre si scollega l'elettrodomestico.
- Non aspirare materiali infiammabili e assicurarsi che la cenere delle sigarette sia raffreddata prima di aspirarla.
- Non aspirare acqua e altri liquidi.
- Proteggere l'elettrodomestico da pioggia, umidità e fonti di calore.
- Non utilizzare l'elettrodomestico in ambienti e sostanze esplosive o infiammabili o nelle loro vicinanze.
- Scollegare l'elettrodomestico prima della pulizia e della manutenzione.

1 Importanti istruzioni di sicurezza e ambientali

- Non immergere l'elettrodomestico o il suo cavo di alimentazione in acqua per la pulizia.
- Non smontare l'elettrodomestico.
- Servirsi unicamente di ricambi originali o consigliati dal produttore.
- Per evitare il blocco del filtro o danni al motore, non aspirare cemento, gesso o frammenti di carta compressa.
- Utilizzare l'elettrodomestico solo con l'adattatore in dotazione.
- Non utilizzare l'elettrodomestico senza filtri, altrimenti potrebbe danneggiarsi.
- Se si conserva il materiale d'imballaggio, tenerlo fuori dal portata dei bambini.
- Questo elettrodomestico non è destinato ad essere utilizzato da persone, compresi i bambini, con disabilità fisiche, sensoriali e mentali o da coloro che non hanno un'adeguata esperienza e conoscenza del suo utilizzo, a meno che non siano sotto la sorveglianza di una persona responsabile della loro sicurezza o siano informati sul funzionamento dell'elettrodomestico stesso.
- I bambini dovranno essere sorvegliati per evitare che giochino con l'elettrodomestico.
- Scollegare l'adattatore e rimuovere il pacco batterie prima di qualsiasi procedura di pulizia o manutenzione.
- Per evitare qualsiasi rischio e pericolo, un eventuale adattatore danneggiato dovrà essere sostituito dal produttore, dal rappresentante autorizzato del produttore o da un tecnico altrettanto qualificato.
- Durante l'aspirazione, tenere le dita, i capelli e i vestiti larghi lontano dalle parti in movimento o dagli spazi liberi.
- Prima di eliminare l'elettrodomestico le batterie dovranno essere rimosse.
- Prima di rimuovere la batteria, scollegare l'elettrodomestico dalla fonte di alimentazione.
- Smaltire le batterie usate in conformità con le leggi e i regolamenti locali.
- Le batterie incluse in questo elettrodomestico potranno essere sostituite solo da persone qualificate.

1 Importanti istruzioni di sicurezza e ambientali

- Questa apparecchiatura non è stata pensata per essere usata a fini commerciali. Questa apparecchiatura non è stata progettata per un uso commerciale, è destinata all'uso domestico e nelle seguenti applicazioni:
 - Nelle cucine del personale dei negozi, negli uffici e in altri ambienti di lavoro
 - Nelle fattorie;
 - Negli hotel, da clienti, all'interno di motel e altri ambienti residenziali
 - In ostelli o ambienti simili.
- **ATTENZIONE:** Per caricare la batteria, utilizzare l'unità di alimentazione rimovibile HCX1501-3200450E fornita in dotazione con l'elettrodomestico.
- Questo elettrodomestico non dovrà essere azionato da bambini e da persone con capacità fisiche, sensoriali e cognitive limitate o da persone con mancanza di esperienza e conoscenza, a meno che non siano sorvegliate o abbiano ricevuto le relative istruzioni.
- I bambini dovranno essere sorvegliati per evitare che giochino con l'elettrodomestico.

1.2 Rispetto della direttiva WEEE e smaltimento del prodotto di scarto



Questo prodotto è conforme alla direttiva WEEE dell'UE (2012/19/EU). Questo prodotto ha un simbolo di classificazione per i rifiuti di apparecchiature elettriche ed elettroniche (WEEE), che indica che questo prodotto, alla fine della sua vita utile, non deve essere smaltito con altri rifiuti domestici. Il dispositivo da smaltire deve essere restituito al punto di raccolta ufficiale per il riciclaggio dei dispositivi elettrici ed elettronici. Per trovare questi punti di raccolta, contattare le autorità locali o il rivenditore presso il quale il prodotto è stato acquistato. Ogni famiglia svolge un ruolo importante nel recupero e nel riciclaggio del vecchio elettrodomestico. Uno smaltimento appropriato degli apparecchi usati aiuta a prevenire potenziali conseguenze negative per l'ambiente e la salute umana.

1.3 Informazioni sull'imballaggio



L'imballaggio del prodotto è realizzato con materiali riciclabili, in conformità con la legislazione nazionale.

Non smaltire i rifiuti di imballaggio con i rifiuti domestici o altri rifiuti, smaltirli nelle aree di raccolta degli imballaggi specificate dalle autorità locali.

1 Importanti istruzioni di sicurezza e ambientali

1.4 Informazioni sulle batterie esauste



Questo simbolo sulla confezione dell'imballaggio relativo alle batterie ricaricabili indica che la batteria ricaricabile non deve essere smaltita con i rifiuti domestici. Questo simbolo può essere accompagnato da un simbolo chimico su alcune batterie ricaricabili.

Possono inoltre essere presenti simboli quali mercurio (Hg) e piombo (Pb), se le batterie ricaricabili contengono più di %0,0005 di mercurio e più di %0,004 di piombo.

Le batterie ricaricabili non devono essere smaltite con i rifiuti domestici anche se non contengono metalli pesanti. Smaltire sempre le batterie usate secondo la legislazione locale nel rispetto dell'ambiente. Esaminare le norme per lo smaltimento dei rifiuti in vigore nella propria zona di residenza.

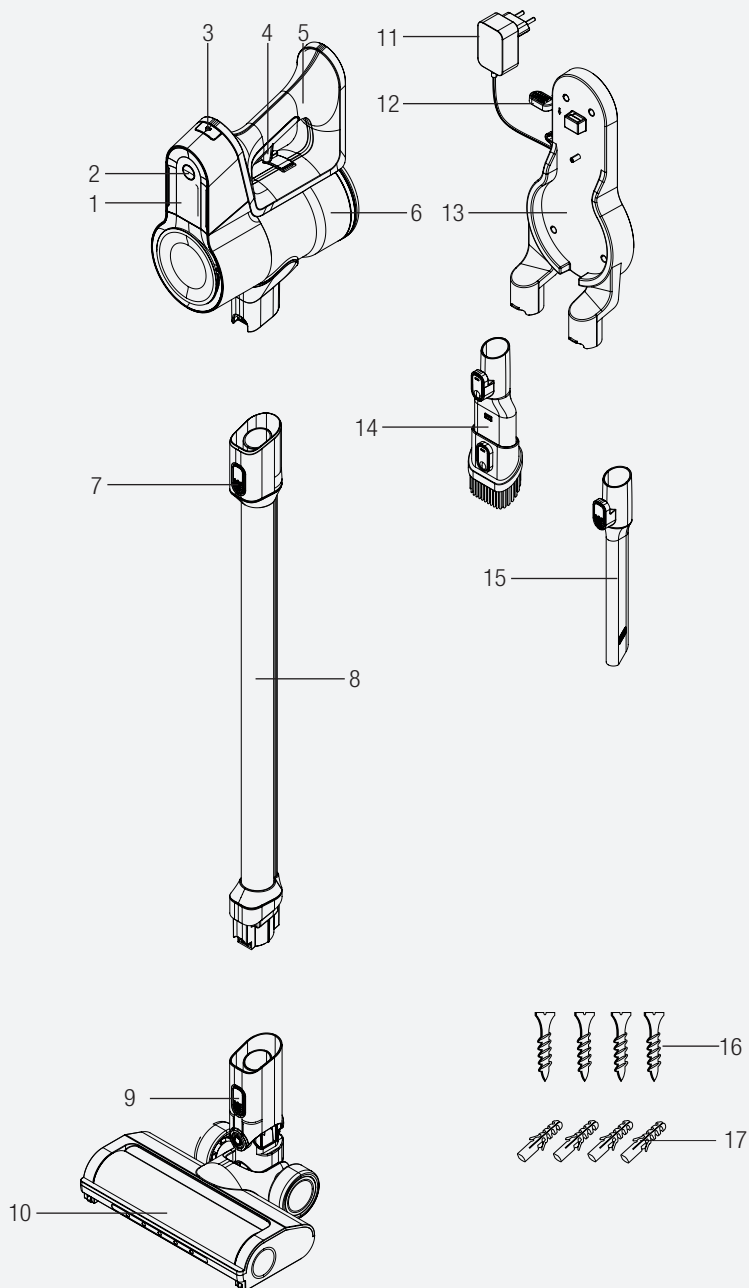
1.5 Cosa fare per risparmiare energia

- Quando si utilizza l'apparecchiatura, regolare le impostazioni della velocità in base alla superficie, al fine di risparmiare energia.
- Si usano di norma velocità più basse per la pulizia di superfici rigide, tende e divani. Le velocità più alte, invece, si usano per la pulizia dei tappeti.

1.6 Conformità con la direttiva RoHS

Il prodotto acquistato è conforme alla Direttiva UE RoHS (2011/65/UE). Non contiene i materiali dannosi e proibiti indicati nella Direttiva.

2 Panoramica




2 Panoramica

2.1 Comandi e componenti

1. Schermo a LED
2. Pulsante di regolazione del livello della velocità
3. Pulsante di rilascio del pacco batteria
4. Pulsante On/off
5. Maniglia
6. Spia
7. Pulsante di sgancio del tubo
8. Tubo
9. Pulsante elettrico di rilascio della turbospazzola
10. Turbo spazzola elettrica
11. Adattatore di ricarica
12. Pulsante di rilascio elettrodomestico
13. Stazione di ricarica
14. Strumento combinato
15. Bocchetta
16. Vite (4 pezzi)
17. Tassello (4 pezzi)

2.2 Dati tecnici

Potenza nominale in ingresso	350 W
Ingresso	100 - 240 V~ 50-60 Hz 0,5 A
Uscita	32 V  0,45 A
Tempo di ricarica	4-6 ore
Tempo di funzionamento alla massima potenza	10 Min
Tempo di funzionamento a media potenza	20 Min
Tempo di funzionamento a potenza minima	45 Min

I diritti di apportare modifiche tecniche e di design sono riservati.

I valori forniti con l'elettrodomestico o i documenti di accompagnamento sono letture di laboratorio basate sulle rispettive norme. Questi valori possono differire a seconda dell'uso e delle condizioni ambientali.

2 Panoramica

Parametro di alimentazione esterna

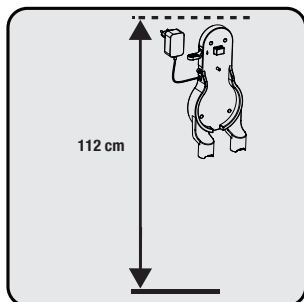
Produttore:	Guangdong Huachuangxing Power Supply Co.,Ltd
ID modello:	HCX1501-3200450E
Tensione in ingresso:	100-240V ~
Frequenza in ingresso:	50-60Hz
Corrente in ingresso:	0,5A
Tensione in uscita	32,0V
Corrente di uscita	0,45A
Potenza in uscita:	14,4W
Efficienza attiva media:	85,5%
Efficienza a basso carico (10%):	83,33%
Consumo di energia a vuoto:	0,041W

3 Installazione

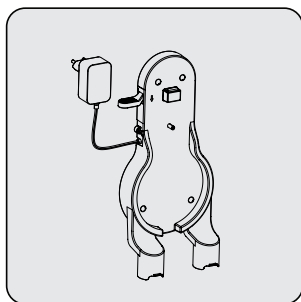
3.1 Uso previsto

Questo elettrodomestico è destinato all'uso domestico, non è adatto all'uso industriale.

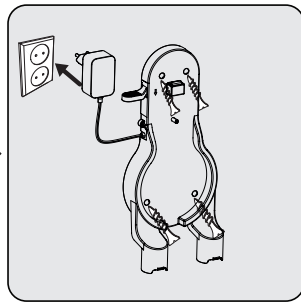
3.2 Installazione della stazione di ricarica



Posizionare la stazione di ricarica ad un'altezza minima di 112 cm da terra.

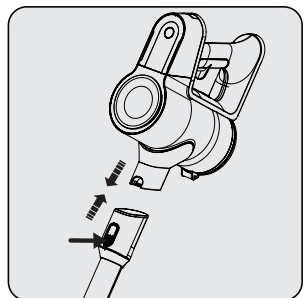


1- Fissare i quattro tasselli alla parete
2- Mettere le quattro viti nella loro sede nella stazione di ricarica e montare i tasselli alla parete.

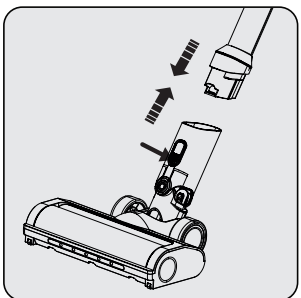


Collegare l'adattatore di ricarica alla presa di corrente.

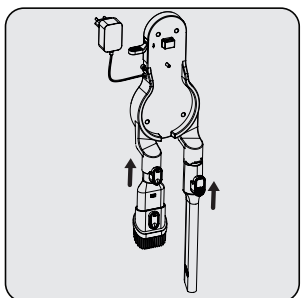
3.3 Installazione del corpo e della spazzola



Spingere il tubo (10) nella direzione della freccia verso il corpo, spingendo sul pulsante di rilascio del tubo.



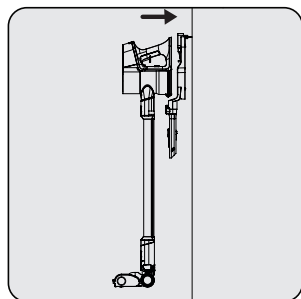
Premere il pulsante di rilascio della turbo-spazzola elettrica sulla turbo-spazzola elettrica e spingerla nella direzione della freccia verso il tubo.



Collegare l'accessorio per le fessure e l'utensile combinato alla stazione di ricarica.

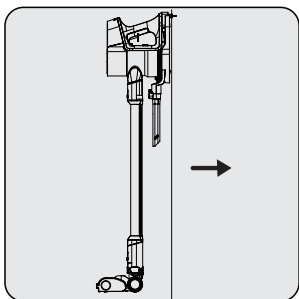
4 Funzionamento

4.1 Ricarica dell'elettrodomestico

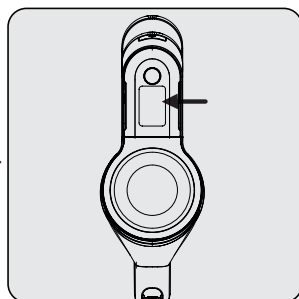


Posizionare l'elettrodomestico sulla stazione di ricarica.

Dopo aver posizionato il contenitore della polvere sulla stazione di ricarica, spingere l'elettrodomestico verso la stazione di ricarica.



Collegare l'adattatore di ricarica alla presa di corrente.



Quando si posiziona l'elettrodomestico sulla stazione di ricarica, esso inizia a caricarsi e sullo schermo viene visualizzata la percentuale di carica della batteria. La percentuale (%) aumenta man mano che l'elettrodomestico viene ricaricato.

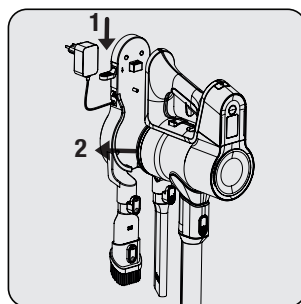


Ci vogliono dalle 4 alle 6 ore per una ricarica completa dell'elettrodomestico. L'elettrodomestico non deve essere messo in funzione durante la ricarica.



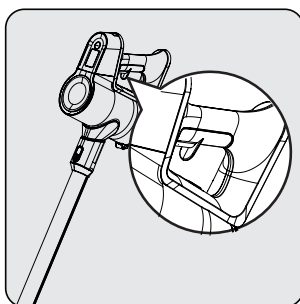
Se l'elettrodomestico viene posto sulla stazione di ricarica mentre è in funzione, si arresterà automaticamente.

4.2 Utilizzo

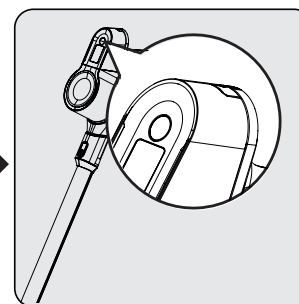


1- Spingere l'interruttore di rilascio dell'elettrodomestico (7) sulla stazione di ricarica verso il basso e contemporaneamente spingere l'apparecchiatura verso di sé.

2- Togliere l'apparecchiatura dalla stazione di ricarica.



Premere il pulsante on/off per far funzionare l'elettrodomestico. Alla pressione del pulsante on/off, l'elettrodomestico inizia a funzionare alla potenza minima.

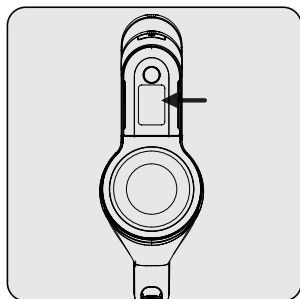


Per regolare il livello di velocità, premere il pulsante. Sullo schermo viene visualizzata la modalità di aspirazione in uso: minima, media e alta. Premendo il pulsante, è possibile regolare il livello di velocità.

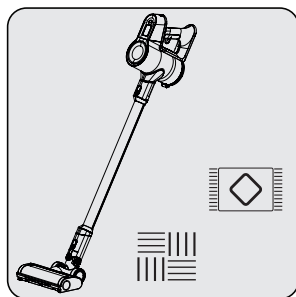
4 Funzionamento



L'elettrodomestico potrà essere posizionato per la ricarica prima dello scaricamento completo della batteria. L'elettrodomestico potrà essere tenuto continuamente in carica sulla stazione di ricarica fino all'operazione successiva.



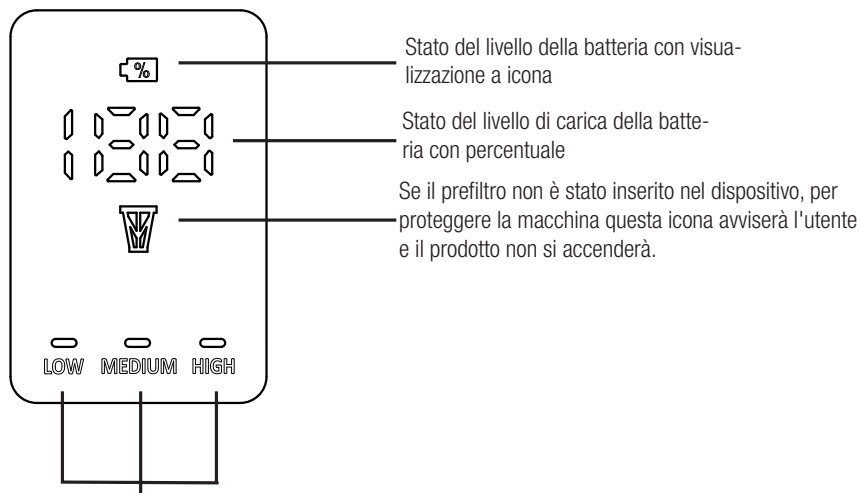
Durante il funzionamento, prestare attenzione alla percentuale del livello della batteria. La percentuale del livello della batteria dovrebbe essere sempre monitorata durante l'uso: quando è scarica, l'elettrodomestico smette di funzionare automaticamente.



Questo elettrodomestico è adatto all'uso su tappeti e pavimenti duri.

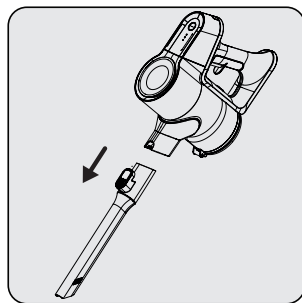
4 Funzionamento

4.3 indicatori a LED sullo schermo

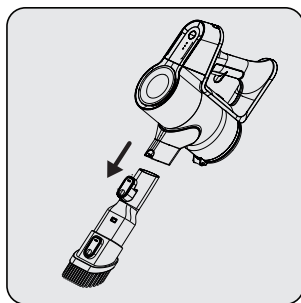


Le icone indicheranno la modalità di aspirazione in uso.

4.3 Accessori



Bocchetta: adatto per aspirare la parte posteriore dei mobili, aree difficili da raggiungere e aree strette.



Strumento combinato: Adatto per aspirare tende, divani, mobili incerati e oggetti delicati e fragili.

5 Pulizia e manutenzione

Spegnere e scollegare l'apparecchio prima di pulirlo.



ATTENZIONE: Non utilizzare benzina, solventi, detersivi abrasivi, oggetti metallici o spazzole dure per pulire l'elettrodomestico.



ATTENZIONE: I filtri potrebbero subire deformazioni nel tempo a causa dell'uso. Per evitare la perdita di prestazioni dovranno essere sostituiti con filtri nuovi. Contattare il servizio clienti per comprare dei filtri nuovi.

5.1 Pulizia del contenitore della polvere e dei filtri



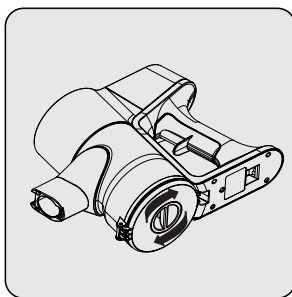
ATTENZIONE: Non lavare i filtri.



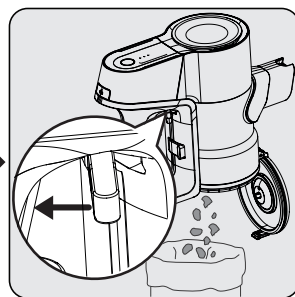
Si raccomanda di pulire il contenitore della polvere dopo ogni operazione.



Pulire la superficie del corpo con un panno umido.

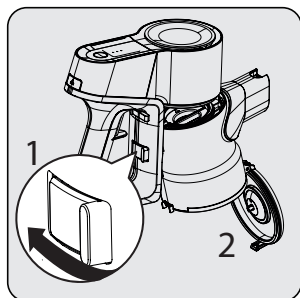


Per far funzionare il prodotto e ottenere elevate prestazioni per un lungo periodo di tempo, può essere necessario pulire il filtro ruotando il meccanismo sotto il contenitore della polvere. Aiuterà a pulire facilmente il filtro.

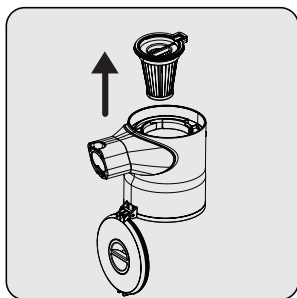


Tirare il grilletto del contenitore della polvere fino all'ultimo punto. Il coperchio del contenitore della polvere verrà aperto. Svuotare tutta la polvere contenuta al suo interno.

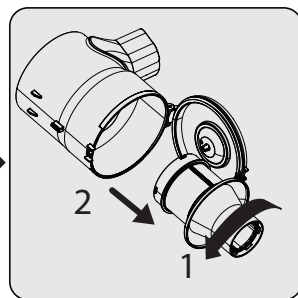
5 Pulizia e manutenzione



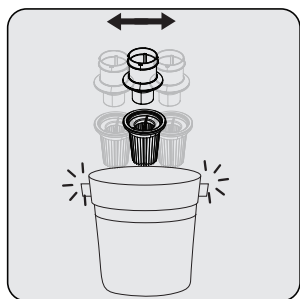
Per una pulizia accurata dei filtri, rimuovere il contenitore della polvere premendo il pulsante sul lato sinistro.



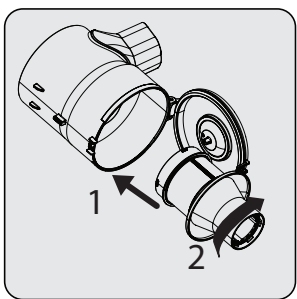
Separare il prefiltra e il filtro di plastica.



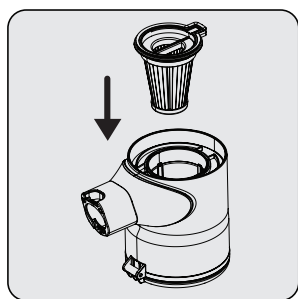
Per estrarre il filtro in plastica, ruotare prima il filtro in plastica in senso antiorario (1), quindi estrarre il filtro (2).



Rimuovere la polvere sul prefiltra in plastica battendolo su una superficie rigida come un cestino dei rifiuti o usando una spazzola.

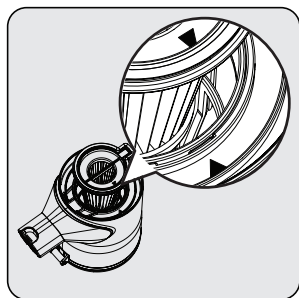


Per inserire il filtro in plastica, posizionare prima il filtro in plastica (1), quindi ruotarlo in senso orario per bloccarlo (2).

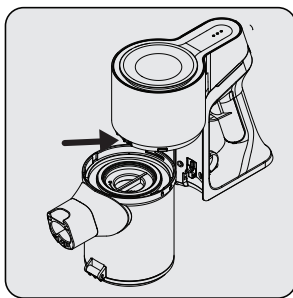


Fissare il prefiltra alla parte posteriore in plastica del filtro.

5 Pulizia e manutenzione



Mentre si posiziona il prefiltra, assicurarsi che le frecce sul prefiltra e sul corpo siano allineate.

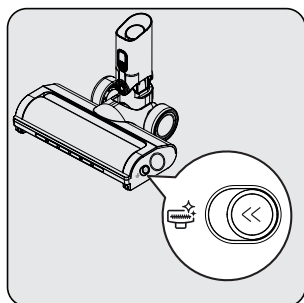


Fissare il connettore del contenitore della polvere ai fori sul corpo, quindi fissare il contenitore finché non si sente il suono del clic.

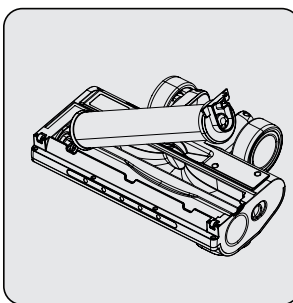
5.2 Pulizia della spazzola



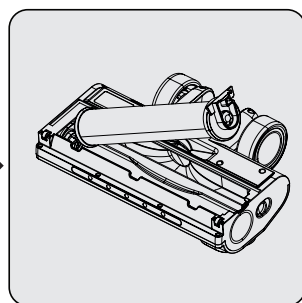
ATTENZIONE: Non lavare la turbo-spazzola e il rullo principale.



Spingere il pulsante di rilascio del rullo verso il lato sinistro.



Rimuovere la polvere su di esso battendo leggermente su una superficie dura o rimuovere la polvere con una spazzola. Se qualche pelo, ecc. è aggrovigliato, rimuoverlo tagliandolo.



Fissare la parte posteriore del rullo in posizione spingendo.

5 Pulizia e manutenzione

5.3 Conservazione

- Se non si intende utilizzare l'elettrodomestico per un lungo periodo di tempo, conservarlo con cura.
- Scollegare l'elettrodomestico.
- Assicurarsi che l'apparecchio sia tenuto fuori dalla portata dei bambini.
- Se la batteria non sarà usata per un lungo periodo di tempo, conservarla in un luogo fresco e asciutto a metà carica. Non ricaricare o scaricare completamente.
- Conservare la batteria su un materiale non conduttivo e non permettere che la batteria venga a contatto diretto con il metallo. Questo danneggerà la batteria.

5.4 Trasporto e spedizione

- Durante il trasporto e la spedizione, trasportare l'apparecchio nel suo imballaggio originale. L'imballaggio dell'apparecchio lo proteggerà da danni fisici.
- Non appoggiare carichi pesanti sull'elettrodomestico o sull'imballaggio. In caso contrario, l'elettrodomestico si potrebbe danneggiare.
- In caso di caduta, l'apparecchio potrebbe non funzionare o potrebbe subire danni permanenti.

CERTIFICATO DI GARANZIA

La presente garanzia commerciale si intende aggiuntiva e non sostitutiva di ogni altro diritto di cui gode il consumatore, intendendo per consumatore esclusivamente colui che utilizza il bene per scopi estranei all'attività imprenditoriale o professionale eventualmente svolta e pertanto per uso domestico/privato, e in particolare non pregiudica in alcun modo i diritti del consumatore stabiliti dal D.Lgs. 206/05. BEKO Italy S.r.l. in conformità alla facoltà prevista dalla legge, offre al consumatore una garanzia commerciale aggiuntiva, nei termini e nei modi di seguito indicati.

Questo certificato non deve essere spedito per la convalida. E' valido e operante solo se conservato assieme alla ricevuta fiscale o altro documento reso fiscalmente obbligatorio.

Condizioni di Garanzia

1. BEKO Italy S.r.l. garantisce il funzionamento dell'apparecchio per un periodo di 2 anni dalla data di acquisto in caso l'utente sia un consumatore, mentre negli altri casi per un periodo di 12 mesi (ad esempio, se l'apparecchio è stato acquistato con fattura di vendita e non con scontrino fiscale).
2. Questa garanzia è valida esclusivamente sul territorio italiano compresa la Repubblica di San Marino e la Città del Vaticano.
3. Questa garanzia opera solo a beneficio dell'utente che comprovi per iscritto l'acquisto dell'apparecchio, tassativamente esibendo lo scontrino fiscale o la fattura d'acquisto, che riporti il nominativo del rivenditore, la data di acquisto dell'apparecchio nonché gli estremi identificativi dello stesso (tipo, modello, etc.).
4. L'utente decade dai dritti di questa garanzia se non denuncia il malfunzionamento entro 2 mesi dalla scoperta dello stesso (e, comunque, entro il periodo di efficacia della garanzia sopra indicato al punto 1).
5. Questa garanzia dà diritto esclusivamente alla riparazione o sostituzione gratuita delle parti componenti l'apparecchio che risultano difettose all'origine per vizi di fabbricazione (dunque, ad esempio, non sono coperte da questa garanzia le problematiche dovute a mera usura, quelle conseguenti, anche solo in parte, al mancato rispetto delle istruzioni incluse nel Manuale per l'installazione, l'uso e la manutenzione dell'apparecchio, oltre che nei casi di cui al punto 11 che segue). In ogni caso, tutte le componenti asportarli e tutte le parti estetiche non sono coperte da garanzia.
6. In particolare, a seconda della natura dell'apparecchio, questa garanzia opera come segue:
 - a. per i grandi elettrodomestici e per i TV/monitor maggiori o uguali a 40": il tecnico esegue la riparazione o il ritiro del prodotto presso il domicilio dell'utente;
 - b. per i piccoli elettrodomestici e per gli apparecchi audio/TV (ad eccezione di quelli rientranti nella lett. a di questo punto 6): l'utente consegna a propria cura e spese l'apparecchio presso il centro di assistenza autorizzato, reperito sul sito *internet* www.beko.it oppure www.grundig.it oppure tramite il *call-center*.
7. Se emerge, durante il sopralluogo (nei casi in cui è previsto) o presso il centro autorizzato che il malfunzionamento dell'apparecchio non è dovuto a vizi di fabbricazione, la riparazione/sostituzione non è coperta da questa garanzia ed è eseguita soltanto a pagamento, previa autorizzazione dell'utente.
8. Nel caso di riparazione dell'apparecchio, le parti di ricambio sono garantite soltanto nei limiti della durata residua di questa garanzia. Nel caso di sostituzione dell'apparecchio, l'apparecchio sostituito è garantito ai sensi di questa garanzia e nei limiti della sua durata residua. In nessun caso si avrà, unque, un'estensione della durata di questa garanzia.
9. Questa garanzia non dà diritto all'utente a qualsivoglia diritto al risarcimento degli eventuali danni, per i quali BEKO Italy S.r.l. declina correlativamente ogni responsabilità, che possano derivare, direttamente od indirettamente, dall'apparecchio. Questa previsione non pregiudica gli eventuali dritti dell'utente legati alla cosiddetta responsabilità del produttore.
10. A titolo esemplificativo e non esaustivo e senza pregiudizio di quanto precede, questa garanzia non opera nei seguenti casi.
 - a. Malfunzionamenti dovuti al trasporto o alla movimentazione dell'apparecchio.
 - b. Interventi di installazione e montaggio, così come l'errata connessione o errata erogazione dalle reti di alimentazione, mancanza di allacciamento alla presa di terra, e tutte le eventuali regolazioni (come registrazione porte nei frigoriferi e/o inversione apertura, livellamento prodotti, eliminazione staffe fissaggio vasca, sostituzione ugelli e regolazione minimo cucine e piani cottura, etc.).
 - c. Installazione errata, imperfetta o incompleta, per incapacità d'uso da parte dell'utente, se mancano gli spazi necessari ad operare attorno alle apparecchiature, per eccessiva o scarsa temperatura dell'ambiente.
 - d. Interventi nei quali non è stato riscontrato il difetto lamentato, o per generici problemi di funzionamento causati da errata impressione dell'utente (problemi di asciugatura, rumorosità, difetti di lavaggio, eccessiva formazione di schiuma, di centrifuga, di raffreddamento, di riscaldamento, etc.).
 - e. Interventi su prodotti installati ad oltre mt. 2,50 da un piano di lavoro stabile, o in posizioni disagiate e pericolose (tetti, etc.) che non possano quindi garantire l'incolumità dell'operatore come stabilito dalla l. 626/1994 relativa alla sicurezza sul lavoro.
 - f. Malfunzionamenti causati da agenti atmosferici (fulmini, terremoti, incendi, alluvioni, etc.).
 - g. Se il numero di matricola risulta asportato, cancellato o manomesso.
 - h. Riparazioni, modifiche o manomissioni effettuate da persone non autorizzate dal produttore o comunque per cause non dipendenti dall'apparecchio. Guasti dovuti a mancanza di regolare manutenzione (pulizia batterie condensanti, fori di drenaggio acqua di condensa, filtri scarico ed entrata acqua, eliminazione corpi estranei, etc.).
 - i. Mancanza dei documenti fiscali o se gli stessi risultano contraffatti o non inerenti all'apparecchio.
 - j. L'uso improprio dell'apparecchio, non di tipo domestico o diverso da quanto stabilito dal produttore, fa decadere il dritto alla presente garanzia.
 - k. Per tutte le circostanze esterne che non siano riconducibili a difetti di fabbricazione dell'apparecchio.
 - l. Si intendono a pagamento anche tutti gli eventuali trasporti necessari per lo svolgimento degli interventi legati ai casi citati.
11. Il Servizio Assistenza di BEKO Italy S.r.l. è l'unico autorizzato a riparare i prodotti a marchio BEKO e GRUNDIG.
12. Per ogni controversia è competente in via esclusiva il foro di Milano, salva la competenza del foro del consumatore se prevista da norme inderogabili di legge.
13. Durante e dopo il periodo di garanzia, vi consigliamo di rivolgervi sempre ai nostri centri di assistenza autorizzati.
14. Per contattare il Centro di Assistenza Tecnica Autorizzato operante nella sua zona chiami il numero unico per l'Italia o scriva al seguente indirizzo *e-mail*:
 - a. Apparecchiature a marchio "Beko": N. verde: **02.03.03**. *E-mail*: info@beko.it.
 - b. Apparecchiature a marchio "Grundig": N. verde: **02.06.06**. *E-mail*: info-grundig@grundig.it.

Prima di contattare l'assistenza tecnica, al fine di agevolare la gestione della chiamata, è necessario avere a portata di mano il modello dell'apparecchio e il documento fiscale di acquisto.

Najpre pročitate ovaj priručnik!

Poštovani kupci,

Zahvaljujemo vam što ste odabrali proizvod kompanije Beko. Želimo da postignete optimalnu efikasnost ovog visokokvalitetnog proizvoda koji je proizveden uz primenu vrhunske tehnologije. Obavezno je pročitati i potpuno razumeti ovaj vodič i dodatnu dokumentaciju pre upotrebe, i isti čuvati za naknadne upute. Ne odvajajte ovaj vodič od jedinice ako želite da je predate nekom drugom licu. Pridržavajte se svih upozorenja i informacija datim ovde i sledite uputstva.

Simboli i njihova značenja

Dole navedeni simboli su upotrebljeni u ovom vodiču:



Važne informacije i korisni saveti u vezi sa upotrebom.



UPOZORENJE: Upozorenja na opasne situacije koje se odnose na bezbednost života i imovine.



Ocena zaštite od električnog udara

1 Važna uputstva u vezi sa bezbednošću i zaštitom životne sredine

Ovaj odeljak sadrži bezbednosna uputstva za sprečavanje opasnosti koje mogu dovesti do povreda ili materijalne štete.

Svaka garancija će prestati da bude važeća ako se ne poštuju ova uputstva.

1.1 Opšta bezbednost

- Ovaj uređaj je usklađen sa međunarodnim standardima bezbednosti.
- Ovaj uređaj mogu koristiti deca starija od 8 godina, lica sa fizičkim, čulnim ili mentalnim problemima ili lica sa nedostatkom iskustva ili znanja; sve dok su pod nadzorom ili su im pružene informacije u vezi sa opasnostima. Deca ne smeju da se igraju sa uređajem. Deca ne smeju da čiste niti da održavaju aparat bez odgovarajućeg nadzora.
- Ne koristite uređaj ako je kabl za napajanje ili sam uređaj oštećen. Obratite se ovlašćenom servisu.
- Vaše mrežno napajanje strujom mora biti u skladu sa informacijama na pločici na uređaju.
- Nemojte koristiti aparat s produžnim kablom.
- Da biste sprečili oštećenje kabla za napajanje, vodite računa da isti nije pritisnut, uvrnut ili nategnut preko oštih ivica.
- Ne dodirujte utikač uređaja vlažnim ili mokrim rukama dok je uređaj priključen na napajanje električnom energijom.
- Kada uređaj isključujete iz struje, ne vucite ga za kabl.
- Ne usisavajte zapaljive materijale i vodite računa da se pepeo cigareta ohladi pre nego što ga usisate.
- Nemojte da usisavate vodu ili druge tečnosti.
- Zaštitite uređaj od padavina, vlage i izvora toplote.
- Ne koristite aparat u eksplozivnom ili zapaljivom okruženju ili u blizini istog.
- Izvucite utikač uređaja iz struje pre čišćenja i održavanja.
- Nemojte uranjati uređaj ili njegov kabl za napajanje u vodu za potrebe čišćenja.

1 Važna uputstva u vezi sa bezbednošću i zaštitom životne sredine

- Nemojte rasklapati ovaj uređaj.
- Koristite samo originalne delove ili delove koje je preporučio proizvođač.
- Da biste sprečili blokadu filtera ili oštećenje motora, nemojte usisavati cement, gips ili fragmente komprimovanog papira.
- Koristite uređaj isključivo sa adapterom isporučenim uz uređaj.
- Nemojte da koristite uređaj bez filtera, jer se tako može oštetiti.
- Ako čuvate ambalažu, čuvajte je van domašaja dece.
- Ovaj uređaj ne smeju da koriste osobe sa ograničenim fizičkim, čulnim ili mentalnim sposobnostima (uključujući decu), niti osobe koje nemaju dovoljno znanja ili iskustva u korišćenju ovog uređaja, osim ako su pod nadzorom osobe koja je odgovorna za njihovu bezbednost i ako su od nje dobile uputstva o pravilnom korišćenju ovog uređaja.
- Decu treba nadzirati kako bi se sprečilo da se igraju sa ovim uređajem.
- Isključite adapter i uklonite bateriju pre bilo kakvog postupka čišćenja ili održavanja.
- Da biste izbegli bilo kakvu opasnost, oštećeni adapter mora da zameni proizvođač, ovlašćeni predstavnik proizvođača ili podjednako kvalifikovan tehničar.
- Držite prste, kosu i široku odeću dalje od pokretnih delova ili praznina tokom usisavanja.
- Baterije treba izvaditi iz uređaja pre nego što uređaj odložite u otpad.
- Isključite aparat iz napajanja pre uklanjanja baterije.
- Bacite istrošene baterije u skladu sa lokalnim zakonima i propisima.
- Dozvoljeno je da baterije isporučene s ovim uređajem menjaju samo kvalifikovane osobe.
- Uređaj nije namenjen za rad u komercijalne svrhe. Ovaj proizvod nije dizajniran za komercijalnu upotrebu, namenjen je za upotrebu u domaćinstvu i u sljedećim uslovima:

1 Važna uputstva u vezi sa bezbednošću i zaštitom životne sredine

- u kuhinjama zaposlenih prodavnica, kancelarija i drugih radnih okruženja;
 - u seoskim kućama;
 - za goste u hotelima, motelima i drugim sličnim vrstama smeštajnih objekata;
 - u hostelima ili sličnim okruženjima.
- **UPOZORENJE:** Za punjenje baterije koristite uklonjivu jedinicu za napajanje HCX1501-3200450E (VRT 84225 VB - VRT 84225 VI) koja je isporučena s uređajem.
 - Ovaj uređaj ne smeju da koriste deca ili lica sa fizičkim, čulnim ili mentalnim ograničenjima ili lica sa nedostatkom iskustva ili znanja, osim ako su pod nadzorom ili su im pružene informacije u vezi sa opasnostima.
 - Decu treba nadzirati kako bi se sprečilo da se igraju sa ovim uređajem.

1.2 Usaglašenost sa WEEE direktivom i odlaganje otpada



Ovaj proizvod je usaglašen sa WEEE direktivom Evropske unije (2012/19/EU). Ovaj proizvod nosi simbol klasifikacije za električni i elektronski otpad (WEEE). Ovaj simbol označava da se ovaj proizvod ne sme odlagati zajedno s ostalim kućnim otpadom na kraju njegovog radnog veka. Korišćeni aparat mora se vratiti na službeno mesto za sakupljanje za recikliranje električnih i elektronskih uređaja. Da biste pronašli ove sisteme za sakupljanje, obratite se lokalnim nadležnim telima ili prodavcu gde je proizvod kupljen. Svako domaćinstvo ima važnu ulogu u vraćanju i recikliranju starih uređaja. Odgovarajuće odlaganje korišćenog uređaja pomaže u sprečavanju potencijalnih negativnih posledica po životnu sredinu i zdravlje.

1.3 Informacije o pakovanju



Ambalaža proizvoda je napravljena od materijala koji mogu da se recikliraju, u skladu sa nacionalnim propisima o zaštiti životne sredine. Ambalažu ne odložite sa kućnim otpadom ili drugim vrstama otpada već je odložite u sabirne centre za ambalažu koje su navele lokalne vlasti.

1.4 Informacije o iskorištenim baterijama



Ovaj simbol na pakovanju ambalaže u vezi sa punjivim baterijama označava da se punjiva baterija ne sme odlagati sa otpadom iz domaćinstva. Hemijski simbol može biti istaknut zajedno s ovim simbolom na nekim punjivim baterijama.

I simboli žive (Hg) i olova (Pb) se takođe mogu dodati ako punjive baterije sadrže više od %0,0005 žive i više od %0,004 olova.

Punjive baterije se ne smeju odlagati sa otpadom iz domaćinstva čak i ako ne sadrže teške metale. Uvek bacite iskorišćene baterije u skladu sa lokalnim zakonima o zaštiti životne sredine. Istražite propise o odlaganju otpada koji su na snazi u vašem području stanovanja.

1 Važna uputstva u vezi sa bezbednošću i zaštitom životne sredine

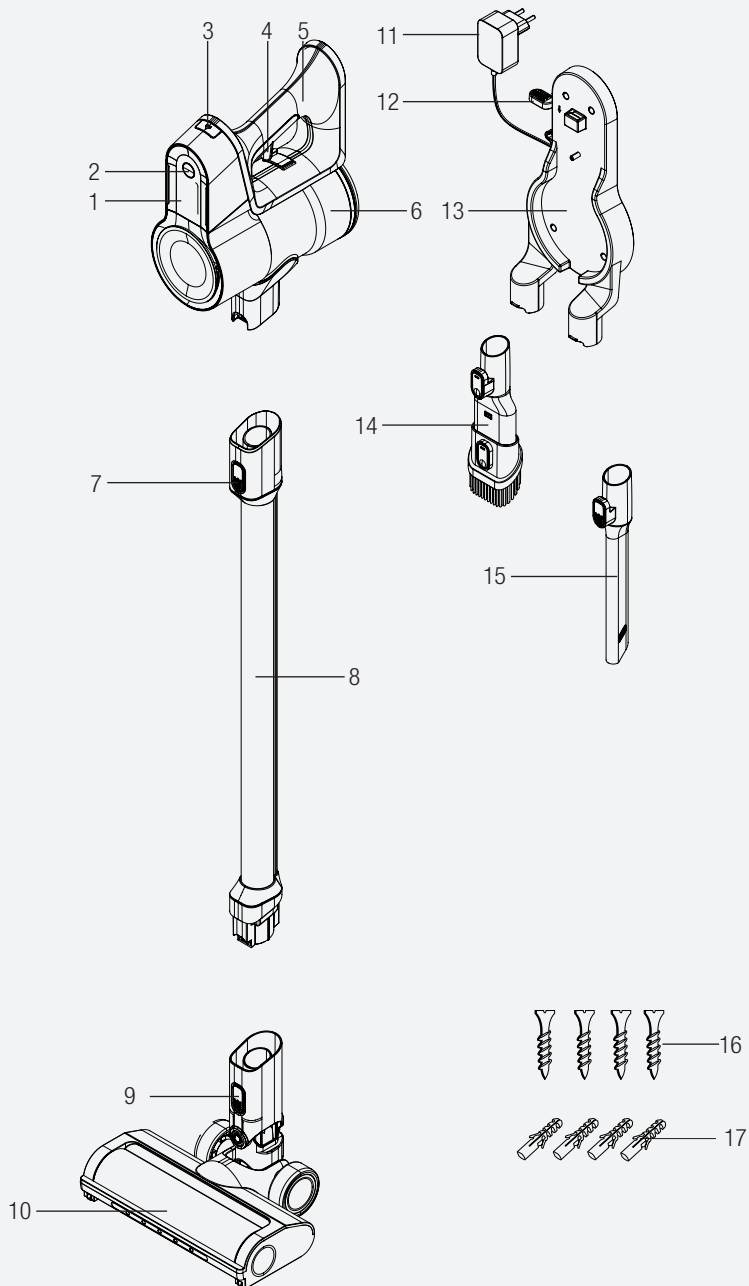
1.5 Kako se štedi energija

- Kada koristite uređaj, podesite podešavanja brzine prema površini da biste uštedeli energiju.
- Obično se pri čišćenju tvrdih površina, zavesa i kauča koriste niže brzine, dok se kod čišćenja tepiha koriste velike brzine.

1.6 Usklađenost sa RoHS Direktivom

Proizvod koji ste kupili u saglasnosti je sa RoHS Direktivom Evropske unije (2011/65/EU). On ne sadrži štetne i zabranjene materijale navedene u Direktivi.

2 Pregled

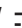


2 Pregled

2.1 Kontrole i komponente

1. LED ekran
2. Dugme za prilagodavanje nivoa brzine
3. Dugme za otpuštanje baterije
4. Dugme za uključivanje/isključivanje
5. Ručka
6. Posuda za sakupljanje prašine
7. Dugme za otpuštanje cevi
8. Cev
9. Dugme za otpuštanje električne turbo četke
10. Električna turbo četka
11. Adapter za punjenje
12. Dugme za otpuštanje uređaja
13. Stanica za punjenje
14. Alat za kombinovanje
15. Otvor
16. Mini turbo četka za čišćenje dlaka ljubimaca
17. Poklopac otvora za punjenje rezervoara za vodu
18. Priključak za brisanje; Rezervoar za vodu
19. Krpa za brisanje (2 kom)
20. Zavrtanj (4 kom.)
21. Tipl (4 kom)

2.2 Tehnički podaci

Nominalna ulazna snaga :	350 W
Ulazna jačina	100 - 240 V~ 50-60 Hz 0,5 A
Izlazna jačina	32 V  0.45 A
Vreme punjenja	4-6 sati
Vreme rada na maks. snazi	10 min
Vreme rada na srednjoj snazi	20 min
Vreme rada na min. snazi	45 min

Prava na tehničke i dizajnerske promene su zadržana.

Vrednosti date na uređaju ili pratećoj dokumentaciji su laboratorijska očitavanja u skladu sa odgovarajućim standardima. Ove vrednosti mogu da se razlikuju u zavisnosti od korišćenja i ambijentalnih uslova.

2 Pregled

Parametar spoljnega napajanja

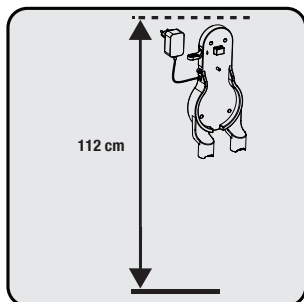
Proizvođač:	Guangdong Huachuangxing Power Supply Co.,Ltd
Identifikacioni broj modela:	HGX1501-3200450E
Ulazni napon:	100-240V~
Ulazna frekvencija:	50-60Hz
Ulazna struja:	0,5A
Izlazni napon	32,0V
Izlazna struja	0,45A
Izlazna snaga:	14,4W
Prosečna aktivna efikasnost:	85,5%
Efikasnost pri malom opterećenju (10 %)	83,33%
Potrošnja energije bez opterećenja:	0,041W

3 Instalacija

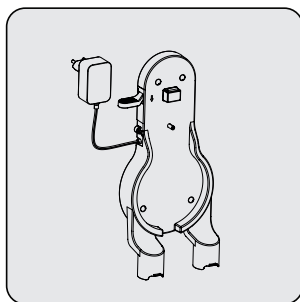
3.1 Predviđena upotreba

Uređaj je namenjen samo za kućnu upotrebu i nije pogodan za industrijsku upotrebu.

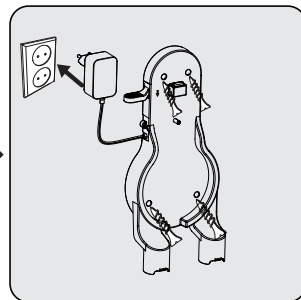
3.2 Ugradnja mobilne stanice za punjenje



Postavite stanicu za punjenje na visinu od najmanje 112 cm od podloge.

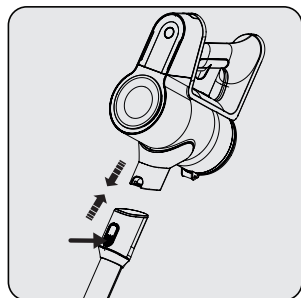


1- Pričvrstite četiri tipla na zid
2- Postavite četiri vijka na njihova mesta na priključnoj stanici za punjenje i montirajte ih na tiplje na zidu.

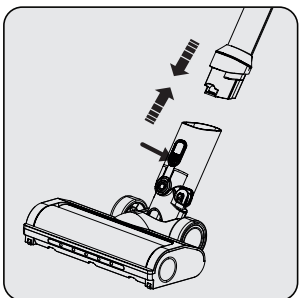


Priključite adapter za punjenje u utičnicu.

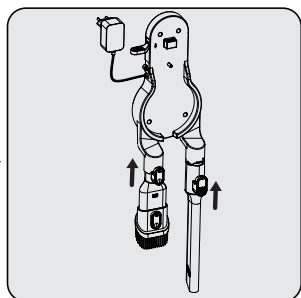
3.3 Ugradnja tela i četke



Gurajte cev u smeru strelice prema telu pritiskajući dugme za otpuštanje cevi.



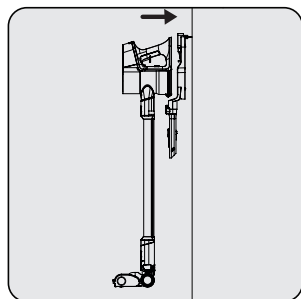
Pritisnite dugme za otpuštanje električne turbo četke koje se nalazi na električnoj turbo četki i pritisnite ga u smeru strelice prema cevi.



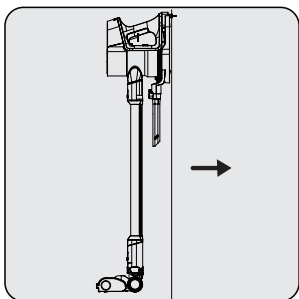
Pričvrstite priključak za otvor i kombinovani alat na priključnu stanicu za punjenje.

4 Rad

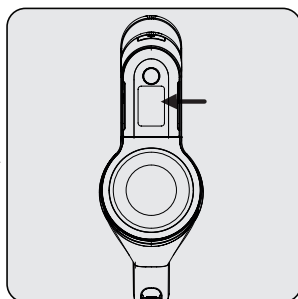
4.1 Punjenje uređaja



Postavite uređaj na stanicu za punjenje.
Nakon postavljanja posude za prašinu na stanicu za punjenje, gurnite uređaj prema priključnoj stanici za punjenje.



Priključite adapter za punjenje u utičnicu.



Kada aparat postavite na priključnu stanicu za punjenje, on počinje da se puni i procenat napunjenosti baterije biće prikazan na ekranu. Procenat (%) se povećava kako se aparat puni.

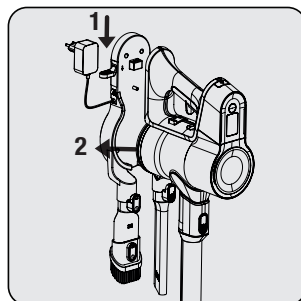


Potpuno punjenje uređaja traje od 4 do 6 sati. Ne treba koristiti uređaj tokom punjenja.

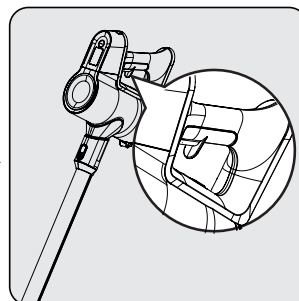


Ako je uređaj postavljen na jedinicu za punjenje tokom rada, automatski će se zaustaviti.

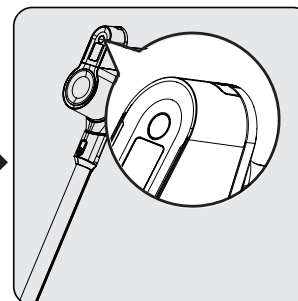
4.2 Upotreba



1- Pritisnite dugme za otpuštanje uređaja na priključnoj stanici za punjenje nadole i istovremeno povucite uređaj prema sebi.
2- Uklonite aparat sa priključne stanice za punjenje.



Pritisnite dugme za uključivanje/isključivanje da biste uključili uređaj. Uređaj počinje da radi sa minimalnom snagom kada se pritisne dugme za uključivanje/isključivanje.

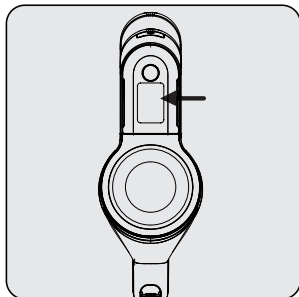


Da biste podesili nivo brzine, pritisnite dugme. Na ekranu će biti prikazan način usisavanja koji se koristi kao min, srednji i visoki. Pritiskom na dugme, nivo brzine se može podesiti.

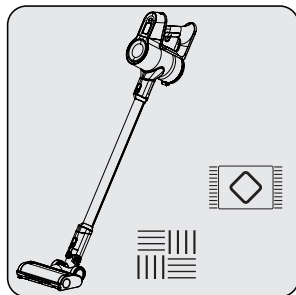
4 Rad



Uređaj se može postaviti na punjenje pre nego se baterije potpuno isprazne. Uređaj se može neprekidno puniti na stanici za punjenje do sledećeg korišćenja.



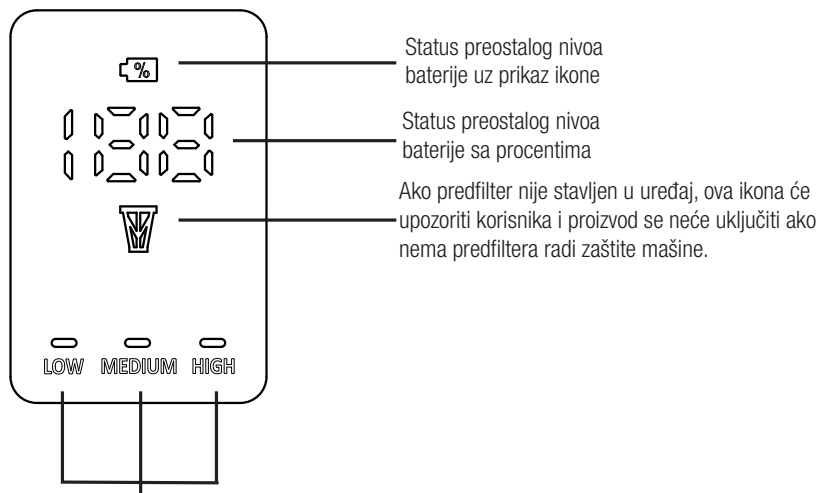
Obratite pažnju na procenat napunjenosti baterije tokom rada. Procenat nivoa baterije treba pratiti tokom upotrebe kada je prazna, uređaj automatski prestaje da radi.



Ovaj uređaj je namenjen za upotrebu na tepisima i tvrdim podlogama.

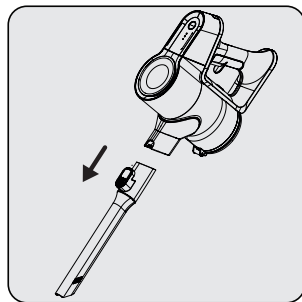
4 Rad

4.3 LED indikatori na ekranu

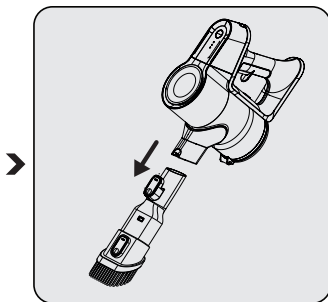


Ove ikone će pokazati način usisavanja koji je aktivan.

4.3 Dodatna oprema



Otvor: Pogodan za usisavanje zadnjeg dela nameštaja, teško dostupnih područja i uskih područja.



Alat za kombinovanje: Pogodan za usisavanje zavesa, kauča, voštanih predmeta i osetljivih i lomljivih predmeta.

5 Čišćenje i održavanje

Isključite uređaj i izvucite utikač uređaja iz napajanja pre čišćenja.



UPOZORENJE: Nikada nemojte koristiti benzin, rastvarač, abrazivna sredstva za čišćenje, metalne predmete ili grube četke za čišćenje ovog uređaja.



UPOZORENJE: Deformacija na filterima može nastati tokom vremena kao rezultat upotrebe. Iste treba zameniti novim da bi se sprečio gubitak nivoa učinka. Kontaktirajte korisničku službu da biste kupili novi filter.

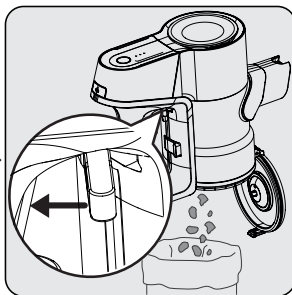
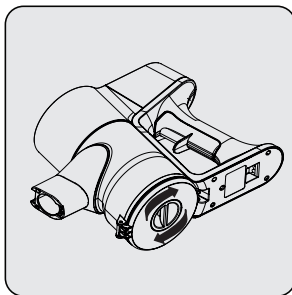
5.1 Čišćenje posude za prašinu i filtera



UPOZORENJE: Nemojte prati filtere.



Preporučujemo da nakon svakog rada očistite posudu za prašinu.

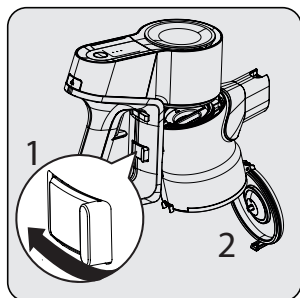


Unutrašnjost uređaja obrišite vlažnom krpom.

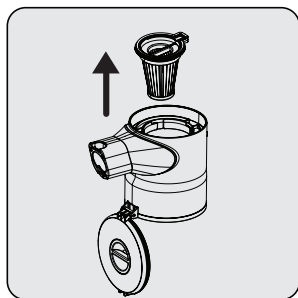
Da bi proizvod radio sa visokim performansama dugo vremena, možda će biti potrebno očistiti filter okretanjem mehanizma ispod posude za prašinu. To će pomoći da se filter lako očisti.

Povucite okidač posude za sakupljanje prašine do poslednje tačke. Otvoriće se poklopac posude za prašinu. Ispraznite svu prašinu koju sadrži.

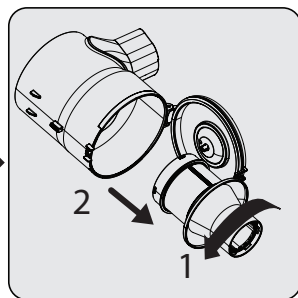
5 Čišćenje i održavanje



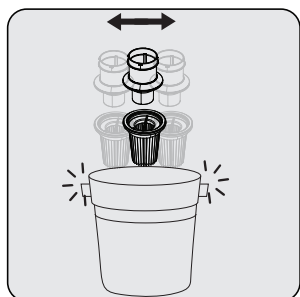
Da biste detaljno očistili filtere, uklonite posudu za prašinu pritiskom na dugme sa leve strane.



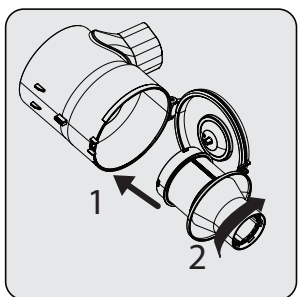
Odvojite pred-filter i plastični filter jedan od drugog.



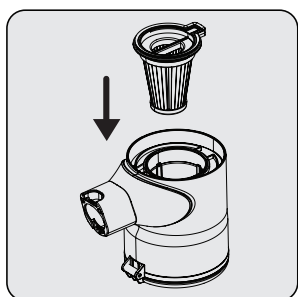
Da biste ubacili plastični filter, prvo ubacite filter (1), a zatim ga okrenite u smeru kazaljke na satu (2).



Uklonite prašinu sa pred-filtera tapkajući ga o tvrdu površinu kao što je kanta za smeće ili to uradite pomoću četke.

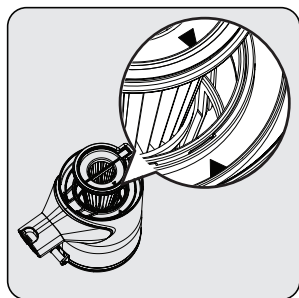


Da biste izvadili plastični filter, prvo okrenite filter suprotno od smera kazaljke na satu (1), a zatim izvadite filter (2).

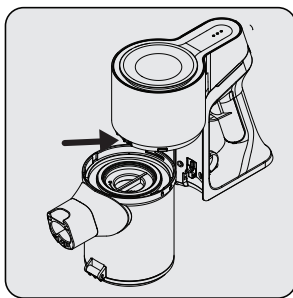


Pričvrstite pred-filter na plastični filter nazad.

5 Čišćenje i održavanje



Prilikom ubacivanja pre-filtera, budite sigurni da su strelice na pre-filteru i kućištu poravnate.

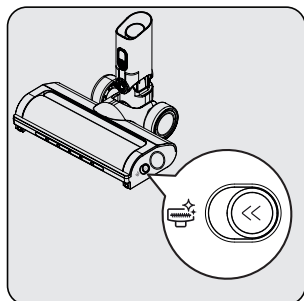


Pričvrstite priključak posude za prašinu na rupice na kućištu, a zatim podesite posudu za prašinu dok ne čujete zvuk klika.

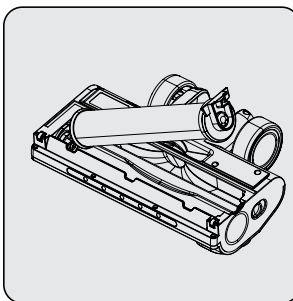
5.2 Čišćenje četke



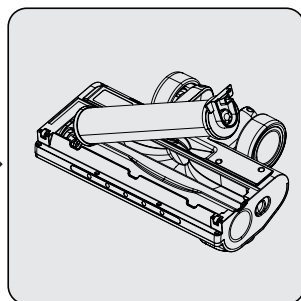
UPOZORENJE: Ne perite turbo četku i glavnu rolo-četku.



Pritisnite dugme za otpuštanje rolo-četke na levu stranu.



Uklonite prašinu s nje laganim tapkanjem po tvrdoj površini ili uklonite prašinu četkom. Ako se zaplete neka dlaka i sl., uklonite je tako što ćete je iseći.



Gurnite rolo-četku i tako je vratite na svoje mesto.

5 Čišćenje i održavanje

5.3 Skladištenje

- Ako ne nameravate da koristite uređaj duže vreme, pažljivo ga odložite.
- Isključite uređaj iz struje.
- Vodite računa da aparat držite van dohvata dece.
- Ako bateriju nećete koristiti duže vreme, držite uređaj na hladnom i suvom mestu sa napola napunjenim baterijama. Ne puniti i ne praznite do kraja.
- Čuvajte bateriju na neprovodnom materijalu i vodite računa da baterija ne bude u direktnom kontaktu s metalom. To će oštetiti bateriju.

5.4 Transport i otprema

- Za vreme transporta i otpreme, uređaj nosite u originalnom pakovanju. Ambalaža uređaja ga štiti od fizičkih oštećenja.
- Nemojte stavljati teške predmete na uređaj ili njegovu ambalažu. U suprotnom, uređaj se može oštetiti.
- Ako uređaj padne, uređaj možda neće raditi ili može doći do trajnih oštećenja.

**Arçelik A.S. Karaağaç Cad. No: 2-6
34445 Sütöce, İstanbul, Türkiye**

www.beko.com