



## **Refrigerator**

Instruction of use

## **Frižider**

Uputstvo za upotrebu

## **Frižider**

Uputstvo za upotrebu

## **Frigorifer**

Udhëzimi i përdorimit

## **Ладилник**

Упатство за употреба

## **Холодильники**

Інструкція з експлуатації



BSSA315K2S

EN-SR-BS-SQ-MK-UKR

## Please read this user manual first!

Dear Customer,

We hope that your product, which has been produced in modern plants and checked under the most meticulous quality control procedures, will provide you an effective service.




Therefore, read this entire user manual carefully before using the product and keep it as a reference. If you handover the product to someone else, give the user manual as well.

## The user manual will help you use the product in a fast and safe way.

- Read the manual before installing and operating the product.
- Make sure you read the safety instructions.
- Keep the manual in an easily accessible place as you may need it later.
- Read the other documents given with the product.
- Remember that this user manual is also applicable for several other models.
- Differences between models will be identified in the manual.

## Explanation of symbols

Throughout this user manual the following symbols are used:

-  Important information or useful tips.
-  Warning against dangerous conditions for life and property.
-  Warning against electric voltage.



## **WARNING!**

In order to ensure a normal operation of your refrigerating appliance, which uses a completely environmentally friendly refrigerant the R600a (flammable only under certain conditions) you must observe the following rules:

- Do not hinder the free circulation of the air around the appliance.
- Do not use mechanical devices in order to accelerate the defrosting, others than the ones recommended by the manufacturer.
- Do not destroy the refrigerating circuit.
- Do not use electric appliances inside the food keeping compartment, other than those that might have been recommended by the manufacturer.

## Recycling



This product is supplied with the selective sorting symbol for waste electrical and electronic equipment (WEEE).

This means that this product must be handled pursuant to European Directive 2012/19/EU in order to be recycled or dismantled to minimise its impact on the environment. For further information, please contact your local or regional authorities.

Electronic products not included in the selective sorting process are potentially dangerous for the environment and human health due to the presence of hazardous substances.

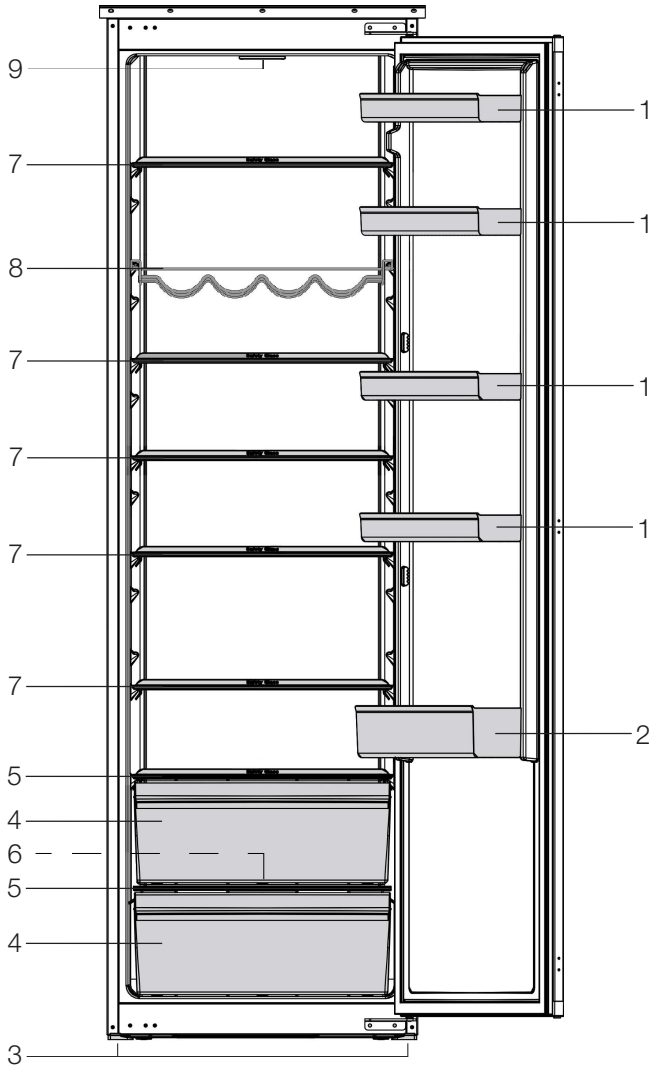
## CONTENTS

---

<b>1 Your refrigerator</b>	<b>3</b>	<b>4 Preparation</b>	<b>10</b>
<b>2 Important Safety Warnings</b>	<b>4</b>	<b>5 Using your refrigerator</b>	<b>11</b>
Intended use .....	4	Setting the operating temperature ...	11
General safety .....	4	Using interior compartments.....	11
For products with a water dispenser...	6	Cooling.....	11
Child safety.....	6	Defrost .....	12
HCA warning.....	6	Stopping your product.....	12
Things to be done for energy saving...6			
<b>3 Installation</b>	<b>7</b>	<b>6 Maintenance and cleaning</b>	<b>13</b>
Points to be paid attention to when the relocation of the refrigerator.....	7	Protection of plastic surfaces .....	13
Before you start the refrigerator .....	7		
Electrical connection.....	7	<b>7 Troubleshooting</b>	<b>14</b>
Disposing of the packaging .....	8		
Disposing of your old refrigerator.....	8		
Placing and Installation .....	8		
Replacing the interior lamp.....	8		
Reversing the doors .....	9		

Official representative on the territory of Ukraine:  
Beko Ukraine LLC  
address: **Business Park "EUROPASAGE"** Sim'i  
Prakhovykh Street, 58/10, 1-th floor, Kyiv, 01033.  
tel / fax: 0-800-500-4-3-2

# 1 Your refrigerator



- |    |                         |    |   |
|----|-------------------------|----|---|
| 1. | Adjustable door shelves | 6. | Defrost water collection channel - drain tube |
| 2. | Bottle shelf            | 7. | Movable shelves                               |
| 3. | Front feet              | 8. | Wine rack                                     |
| 4. | Crisper                 | 9. | Light bulb and thermostat box                 |
| 5. | Crisper cover           |    |   |

**i** Figures that take place in this instruction manual are schematic and may not correspond exactly with your product. If the subject parts are not included in the product you have purchased, then it is valid for other models.

## 2 Important Safety Warnings

---

Please review the following information. Failure to observe this information may cause injuries or material damage. Otherwise, all warranty and reliability commitments will become invalid.

Original Spare parts will be provided for 10 years, following the product purchasing date.

### Intended use

This product is intended to be used:

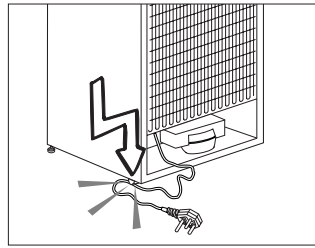
- indoors and in closed areas such as homes;
- in closed working environments such as stores and offices;
- in closed accommodation areas such as farm houses, hotels, pensions.
- It should not be used outdoors.

### General safety

- When you want to dispose/scrap the product, we recommend you to consult the authorized service in order to learn the required information and authorized bodies.
- Consult your authorized service for all your questions and problems related to the refrigerator. Do not intervene or let someone intervene to the refrigerator without notifying the authorised services.
- For products with a freezer compartment; Do not eat cone ice cream and ice cubes immediately after you take them out of the freezer compartment! (This may cause frostbite in your mouth.)
- For products with a freezer compartment; Do not put bottled and canned liquid beverages in the freezer compartment. Otherwise, these may burst.
- Do not touch frozen food by hand; they may stick to your hand.

- Unplug your refrigerator before cleaning or defrosting.
- Vapor and vaporized cleaning materials should never be used in cleaning and defrosting processes of your refrigerator. In such cases, the vapor may get in contact with the electrical parts and cause short circuit or electric shock.
- Never use the parts on your refrigerator such as the door as a means of support or step.
- Do not use electrical devices inside the refrigerator.
- Do not damage the parts, where the refrigerant is circulating, with drilling or cutting tools. The refrigerant that might blow out when the gas channels of the evaporator, pipe extensions or surface coatings are punctured causes skin irritations and eye injuries.
- Do not cover or block the ventilation holes on your refrigerator with any material.
- Electrical devices must be repaired by only authorised persons. Repairs performed by incompetent persons create a risk for the user.
- In case of any failure or during a maintenance or repair work, disconnect your refrigerator mains supply by either turning off the relevant fuse or unplugging your appliance.
- Do not pull by the cable when pulling off the plug.
- Place the beverage with higher proofs tightly closed and vertically.
- Never store spray cans containing flammable and explosive substances in the refrigerator.
- Do not use mechanical devices or other means to accelerate the defrosting process, other than those recommended by the manufacturer.

- This product is not intended to be used by persons with physical, sensory or mental disorders or unlearned or inexperienced people (including children) unless they are attended by a person who will be responsible for their safety or who will instruct them accordingly for use of the product.
- Do not operate a damaged refrigerator. Consult with the service agent if you have any concerns.
- Electrical safety of your refrigerator shall be guaranteed only if the earth system in your house complies with standards.
- Exposing the product to rain, snow, sun and wind is dangerous with respect to electrical safety.
- Contact authorized service when there is a power cable damage to avoid danger.
- Never plug the refrigerator into the wall outlet during installation. Otherwise, risk of death or serious injury may arise.
- This refrigerator is intended for only storing food items. It must not be used for any other purpose.
- Label of technical specifications is located on the left wall inside the refrigerator.
- Never connect your refrigerator to electricity-saving systems; they may damage the refrigerator.
- If there is a blue light on the refrigerator, do not look at the blue light with optical tools.
- For manually controlled refrigerator, wait for at least 5 minutes to start the refrigerator after power failure.
- This operation manual should be handed in to the new owner of the product when it is given to others.
- Avoid causing damage on power cable when transporting the refrigerator. Bending cable may cause fire. Never place heavy objects on power cable.



- Do not touch the plug with wet hands when plugging the product.
- Do not plug the refrigerator if the wall outlet is loose.
- Water should not be sprayed on inner or outer parts of the product for safety purposes.
- Do not spray substances containing inflammable gases such as propane gas near the refrigerator to avoid fire and explosion risk.
- Never place containers filled with water on top of the refrigerator; in the event of spillages, this may cause electric shock or fire.
- Do not overload the refrigerator with food. If overloaded, the food items may fall down and hurt you and damage refrigerator when you open the door.
- Never place objects on top of the refrigerator; otherwise, these objects may fall down when you open or close the refrigerator door.
- As they require a precise temperature, vaccines, heat-sensitive medicine and scientific materials and etc. should not be kept in the refrigerator.
- If not to be used for a long time, refrigerator should be unplugged. A possible problem in power cable may cause fire.
- The plug's tip should be cleaned regularly with a dry cloth; otherwise, it may cause fire.
- Refrigerator may move if adjustable legs are not properly secured on the floor. Properly securing adjustable legs on the floor can prevent the refrigerator to move.

- When carrying the refrigerator, do not hold it from door handle. Otherwise, it may be snapped.
- When you have to place your product next to another refrigerator or freezer, the distance between devices should be at least 8 cm. Otherwise, adjacent side walls may be humidified.

## For products with a water dispenser

Pressure of water mains should be minimum 1 bar. Pressure of water mains should be maximum 8 bars.

- Use only potable water.

## Child safety

- If the door has a lock, the key should be kept away from reach of children.
- Children must be supervised to prevent them from tampering with the product.

## HCA warning

### If your product's cooling system contains R600a:

This gas is flammable. Therefore, pay attention to not damaging the cooling system and piping during usage and transportation. In the event of damage, keep your product away from potential fire sources that can cause the product catch a fire and ventilate the room in which the unit is placed.

### Ignore this warning if your product's cooling system contains R134a.

Type of gas used in the product is stated in the type label which is on the left wall inside the refrigerator.

Never throw the product in fire for disposal.

## Things to be done for energy saving

- Do not leave the doors of your refrigerator open for a long time.
- Do not put hot food or drinks in your refrigerator.
- Do not overload your refrigerator so that the air circulation inside of it is not prevented.
- Do not install your refrigerator under direct sunlight or near heat emitting appliances such as ovens, dishwashers or radiators. Keep your refrigerator at least 30 cm away from heat emitting sources and at least 5 cm from electrical ovens.
- Pay attention to keep your food in closed containers.
- Thawing frozen food in fridge compartment will both provide energy saving and preserve the food quality.

## 3 Installation

⚠ In case the information which are given in the user manual are not taken into account, manufacturer will not assume any liability for this.

### Points to be paid attention to when the relocation of the refrigerator

1. Your refrigerator should be unplugged. Before transportation of your refrigerator it should be emptied and cleaned.
2. Before it is re-packaged, shelves, accessories, crisper, etc. inside your refrigerator should be fixed with adhesive tape and secured against impacts. Package should be bound with a thick tape or sound ropes and the transportation rules on the package should be strictly observed.
3. Original packaging and foam materials should be kept for future transportations or moving.

### Before you start the refrigerator

Check the following before you start to use your refrigerator:

1. Is the interior of the refrigerator dry and can the air circulate freely in the rear of it?
2. Clean the interior of the refrigerator as recommended in the "Maintenance and cleaning" section.

3. Connect the plug of the refrigerator to the wall socket. When the fridge door is opened, fridge internal lamp will turn on.
4. When the compressor starts to operate, a sound will be heard. The liquid and gases sealed within the refrigeration system may also give rise to noise, even if the compressor is not running and this is quite normal.
5. Front edges of the refrigerator may feel warm. This is normal. These areas are designed to be warm to avoid condensation.

### Electrical connection

Connect your product to a grounded socket which is being protected by a fuse with the appropriate capacity.

Important:

The connection must be in compliance with national regulations.

- The power plug must be easily accessible after installation.
- Electrical safety of your refrigerator shall be guaranteed only if the earth system in your house complies with standards.
- The voltage stated on the label located at left inner side of your product should be equal to your network voltage.
- **Extension cables and multi plugs must not be used for connection.**

⚠ A damaged power cable must be replaced by a qualified electrician.

⚠ Product must not be operated before it is repaired! There is the risk of electric shock!



## Disposing of the packaging

The packing materials may be dangerous for children. Keep the packing materials out of the reach of children or dispose of them by classifying them in accordance with the waste instructions stated by your local authorities. Do not throw away with regular house waste, throw away on packaging pick up spots designated by the local authorities. The packing of your refrigerator is produced from recyclable materials.

## Disposing of your old refrigerator

Dispose of your old refrigerator without giving any harm to the environment.

- You may consult your authorized dealer or waste collection center of your municipality about the disposal of your refrigerator.

Before disposing of your refrigerator, cut out the electric plug and, if there are any locks on the door, make them inoperable in order to protect children against any danger.

## Placing and Installation

⚠ If the entrance door of the room where the refrigerator will be installed is not wide enough for the refrigerator to pass through, then call the authorized service to have them remove the doors of your refrigerator and pass it sideways through the door.

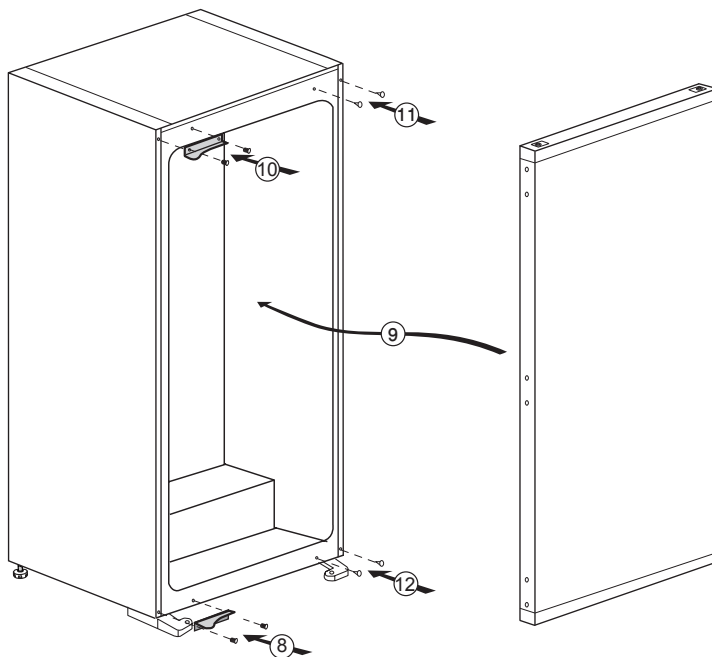
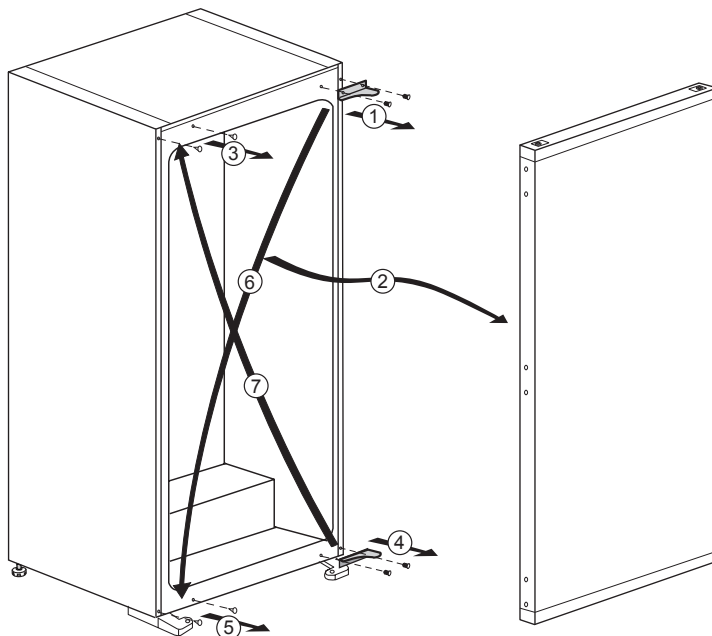
1. Install your refrigerator to a place that allows ease of use.
2. Keep your refrigerator away from heat sources, humid places and direct sunlight.
3. There must be appropriate air ventilation around your refrigerator in order to achieve an efficient operation. If the refrigerator is to be placed in a recess in the wall, there must be at least 5 cm distance with the ceiling and at least 5 cm with the wall. Do not place your product on the materials such as rug or carpet.
4. Place your refrigerator on an even floor surface to prevent jolts.
5. Do not keep your refrigerator in ambient temperatures under 10°C.

## Replacing the interior lamp

To change the Bulb/LED used for illumination of your refrigerator, call your Authorised Service. The lamp(s) used in this appliance is not suitable for household room illumination. The intended purpose of this lamp is to assist the user to place foodstuffs in the refrigerator/freezer in a safe and comfortable way. The lamps used in this appliance have to withstand extreme physical conditions such as temperatures below -20°C.

## Reversing the doors

Proceed in numerical order.



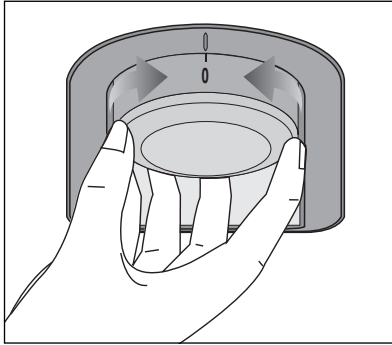
## 4 Preparation

---

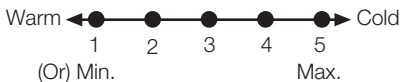
- Your refrigerator should be installed at least 30 cm away from heat sources such as hobs, ovens, central heater and stoves and at least 5 cm away from electrical ovens and should not be located under direct sunlight.
- The ambient temperature of the room where you install your refrigerator should at least be 10°C. Operating your refrigerator under cooler conditions is not recommended with regard to its efficiency.
- Please make sure that the interior of your refrigerator is cleaned thoroughly.
- If two refrigerator are to be installed side by side, there should be at least 2 cm distance between them.
- When you operate your refrigerator for the first time, please observe the following instructions during the initial six hours.
- The door should not be opened frequently.
- It must be operated empty without any food in it.
- Do not unplug your refrigerator. If a power failure occurs out of your control, please see the warnings in the “**Troubleshooting**” section.
- Original packaging and foam materials should be kept for future transportations or moving.

## 5 Using your refrigerator

### Setting the operating temperature



The operating temperature is regulated by the temperature control.



**1 = Lowest cooling setting (Warmest setting)**

**5 = Highest cooling setting (Coldest setting)**

(Or)

**Min. = Lowest cooling setting**

(Warmest setting)

**Max. = Highest cooling setting**

(Coldest setting)

The average temperature inside the fridge should be around  $+5^{\circ}\text{C}$ .

Please choose the setting according to the desired temperature.

Please note that there will be different temperatures in the cooling area.

The coldest region is immediately above the vegetable compartment.

The interior temperature also depends on ambient temperature, the frequency with which the door is opened and the amount of foods kept inside.

Frequently opening the door causes the interior temperature to rise. For this reason, it is recommended to close the door again as soon as possible after use.

### Using interior compartments

**Movable shelves:** Distance between the shelves can be adjusted when necessary.

**Vegetable drawer:** Vegetables and fruits can be stored in this compartment for long periods without decaying.

**Bottle shelf:** Bottles, jars and tins can be placed in these shelves.

### Cooling Food storage

The fridge compartment is for the short-term storage of fresh food and drinks.

Store milk products in the intended compartment in the refrigerator.

Bottles can be stored in the bottle holder or in the bottle shelf of the door.

Raw meat is best kept in a polyethylene bag in the compartment at the very bottom of the refrigerator.

Allow hot foods and beverages to cool to room temperature prior to placing them in the refrigerator.

- Attention

Store concentrated alcohol only standing upright and tightly closed.

- Attention

Do not store explosive substances or containers with flammable propellant gases (canned cream, spray cans etc.) in the device. There is a danger of explosion.

## Defrost

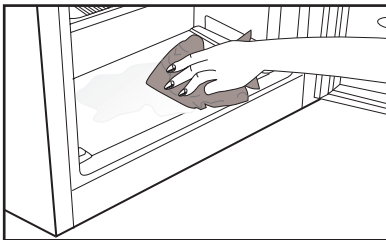
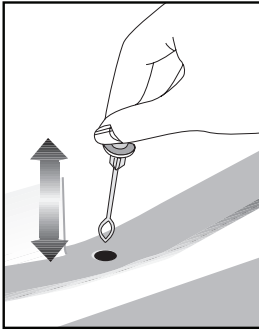
The fridge compartment defrosts automatically.

The thawing water flows through the drain channel into a collection container at the rear of the device.

During defrosting, water droplets form at the back of the fridge due to the evaporator.

If not all of the drops run down, they may freeze again after defrosting. Remove them with a cloth soaked in warm water, but never with a hard or sharp object.

Check the flow of the thawed water from time to time. It may become plugged occasionally.



## Stopping your product

If your thermostat is equipped with "0" position:

- Your product will stop operating when you turn the thermostat button to "0" (zero) position. Your product will not start unless you turn the thermostat button to position "1" or one of the other positions again.

If your thermostat is equipped with "min" position:

- Unplug your product to stop it.

## 6 Maintenance and cleaning

---

- ⚠ Never use gasoline, benzene or similar substances for cleaning purposes.
- ⚠ We recommend that you unplug the appliance before cleaning.
- ⚠ Never use any sharp abrasive instrument, soap, household cleaner, detergent and wax polish for cleaning.
- ℹ Use lukewarm water to clean the cabinet of your refrigerator and wipe it dry.
- ℹ Use a damp cloth wrung out in a solution of one teaspoon of bicarbonate of soda to one pint of water to clean the interior and wipe it dry.
- ⚠ Make sure that no water enters the lamp housing and other electrical items.
- ⚠ If your refrigerator is not going to be used for a long period of time, unplug the power cable, remove all food, clean it and leave the door ajar.
- ℹ Check door seals regularly to ensure they are clean and free from food particles.
- ⚠ To remove door racks, remove all the contents and then simply push the door rack upwards from the base.
- ⚠ Never use cleaning agents or water that contain chlorine to clean the outer surfaces and chromium coated parts of the product. Chlorine causes corrosion on such metal surfaces.

### Protection of plastic surfaces

- ℹ Do not put the liquid oils or oil-cooked meals in your refrigerator in unsealed containers as they damage the plastic surfaces of your refrigerator. In case of spilling or smearing oil on the plastic surfaces, clean and rinse the relevant part of the surface at once with warm water.

## 7 Troubleshooting

Please review this list before calling the service. It will save your time and money. This list includes frequent complaints that are not arising from defective workmanship or material usage. Some of the features described here may not exist in your product.

### The refrigerator does not operate.

- The plug is not inserted into the socket correctly. >>>Insert the plug into the socket securely.
- The fuse of the socket which your refrigerator is connected to or the main fuse have blown out. >>>Check the fuse.

### Condensation on the side wall of the fridge compartment (MULTIZONE, COOL CONTROL and FLEXI ZONE).

- Ambient is very cold. >>>Do not install the refrigerator in places where the temperature falls below 10°C.
- Door has been opened frequently. >>>Do not open and close the door of refrigerator frequently.
- Ambient is very humid. >>>Do not install your refrigerator into highly humid places.
- Food containing liquid is stored in open containers. >>>Do not store food with liquid content in open containers.
- Door of the refrigerator is left ajar. >>>Close the door of the refrigerator.
- Thermostat is set to a very cold level. >>>Set the thermostat to a suitable level.

### Compressor is not running.

- Protective thermic of the compressor will blow out during sudden power failures or plug-out plug-ins as the refrigerant pressure in the cooling system of the refrigerator has not been balanced yet. The refrigerator will start running approximately after 6 minutes. Please call the service if the refrigerator does not startup at the end of this period.
- The fridge is in defrost cycle. >>>This is normal for a full-automatically defrosting refrigerator Defrosting cycle occurs periodically.
- The refrigerator is not plugged into the socket. >>>Make sure that the plug is fit in o the socket.
- Temperature settings are not made correctly. >>>Select the suitable temperature value.
- There is a power outage. >>>Refrigerator returns to normal operation when the power restores.

The operation noise increases when the refrigerator is running.
<ul style="list-style-type: none"> <li>The operating performance of the refrigerator may change due to the changes in the ambient temperature. It is normal and not a fault.</li> </ul>
The refrigerator is running frequently or for a long time.
<ul style="list-style-type: none"> <li>New product may be wider than the previous one. Larger refrigerator operate for a longer period of time.</li> <li>The room temperature may be high. &gt;&gt;&gt;It is normal that the product operates for longer periods in hot ambient.</li> <li>The refrigerator might be plugged in recently or might be loaded with food. &gt;&gt;&gt;When the refrigerator is plugged in or loaded with food recently, it will take longer for it to attain the set temperature. This is normal.</li> <li>Large amounts of hot food might be put in the refrigerator recently. &gt;&gt;&gt;Do not put hot food into the refrigerator.</li> <li>Doors might be opened frequently or left ajar for a long time. &gt;&gt;&gt;The warm air that has entered into the refrigerator causes the refrigerator to run for longer periods. Do not open the doors frequently.</li> <li>Freezer or fridge compartment door might be left ajar. &gt;&gt;&gt;Check if the doors are closed completely.</li> <li>The refrigerator is adjusted to a very low temperature. &gt;&gt;&gt;Adjust the refrigerator temperature to a warmer degree and wait until the temperature is achieved.</li> <li>Door seal of the fridge or freezer may be soiled, worn out, broken or not properly seated. &gt;&gt;&gt;Clean or replace the seal. Damaged/broken seal causes the refrigerator to run for a longer period of time in order to maintain the current temperature.</li> </ul>
Freezer temperature is very low while the fridge temperature is sufficient.
<ul style="list-style-type: none"> <li>The freezer temperature is adjusted to a very low value. &gt;&gt;&gt;Adjust the freezer temperature to a warmer degree and check.</li> </ul>
Fridge temperature is very low while the freezer temperature is sufficient.
<ul style="list-style-type: none"> <li>The fridge temperature is adjusted to a very low value. &gt;&gt;&gt;Adjust the fridge temperature to a warmer degree and check.</li> </ul>
Food kept in the fridge compartment drawers is frozen.
<ul style="list-style-type: none"> <li>The fridge temperature is adjusted to a very high value. &gt;&gt;&gt;Adjust the fridge temperature to a lower value and check.</li> </ul>



Temperature in the fridge or freezer is very high.
<ul style="list-style-type: none"> <li>• The fridge temperature is adjusted to a very high value. &gt;&gt;&gt;Fridge compartment temperature setting has an effect on the temperature of the freezer. Change the temperatures of the fridge or freezer and wait until the relevant compartments attain a sufficient temperature.</li> <li>• Doors are opened frequently or left ajar for a long time. &gt;&gt;&gt;Do not open the doors frequently.</li> <li>• Door is ajar. &gt;&gt;&gt;Close the door completely.</li> <li>• The refrigerator is plugged in or loaded with food recently. &gt;&gt;&gt;This is normal. When the refrigerator is plugged in or loaded with food recently, it will take longer for it to attain the set temperature.</li> <li>• Large amounts of hot food might be put in the refrigerator recently. &gt;&gt;&gt;Do not put hot food into the refrigerator.</li> </ul>
Vibrations or noise.
<ul style="list-style-type: none"> <li>• The floor is not level or stable. &gt;&gt;&gt; If the refrigerator rocks when moved slowly, balance it by adjusting its feet. Also make sure that the floor is strong enough to carry the refrigerator, and level.</li> <li>• The items put onto the refrigerator may cause noise. &gt;&gt;&gt;Remove the items on top of the refrigerator.</li> </ul>
There are noises coming from the refrigerator like liquid flowing, spraying, etc.
<ul style="list-style-type: none"> <li>• Liquid and gas flows occur in accordance with the operating principles of your refrigerator. It is normal and not a fault.</li> </ul>
Whistle comes from the refrigerator.
<ul style="list-style-type: none"> <li>• Fans are used in order to cool the refrigerator It is normal and not a fault.</li> </ul>
Condensation on the inner walls of refrigerator.
<ul style="list-style-type: none"> <li>• Hot and humid weather increases icing and condensation. It is normal and not a fault.</li> <li>• Doors are opened frequently or left ajar for a long time. &gt;&gt;&gt;Do not open the doors frequently. Close them if they are open.</li> <li>• Door is ajar. &gt;&gt;&gt;Close the door completely.</li> </ul>
Humidity occurs on the outside of the refrigerator or between the doors.
<ul style="list-style-type: none"> <li>• There might be humidity in the air; this is quite normal in humid weather. When the humidity is less, condensation will disappear.</li> </ul>
Bad odour inside the refrigerator.
<ul style="list-style-type: none"> <li>• No regular cleaning is performed. &gt;&gt;&gt;Clean the inside of the refrigerator regularly with a sponge, lukewarm water or carbonate dissolved in water.</li> <li>• Some containers or package materials may cause the smell. &gt;&gt;&gt;Use a different container or different brand packaging material.</li> <li>• Food is put into the refrigerator in uncovered containers. &gt;&gt;&gt;Keep the food in closed containers. Microorganisms spreading out from uncovered containers can cause unpleasant odours.</li> <li>• Remove the foods that have expired best before dates and spoiled from the refrigerator.</li> </ul>
The door is not closing.
<ul style="list-style-type: none"> <li>• Food packages are preventing the door from closing. &gt;&gt;&gt;Replace the packages that are obstructing the door.</li> <li>• The refrigerator is not completely even on the floor. &gt;&gt;&gt;Adjust the feet to balance the refrigerator.</li> <li>• The floor is not level or strong. &gt;&gt;&gt;Make sure that the floor is level and capable to carry the refrigerator.</li> </ul>
Crispers are stuck.
<ul style="list-style-type: none"> <li>• The food is touching the ceiling of the drawer. &gt;&gt;&gt;Rearrange food in the drawer.</li> </ul>

## Molimo da prvo pročitate ovo uputstvo za upotrebu!

Poštovani kupci,

Nadamo se da će vam ovaj proizvod, koji je proizveden u savremenim fabrikama i koji je prošao najstrože kontrole kvaliteta, dugo i efikasno služiti.

Stoga, pročitatje kompletno uputstvo za korisnika pažljivo pre korišćenja proizvoda i sačuvajte ga za kasnije korišćenje. Ako ovaj proizvod predate trećem licu, priložite i ovo korisničko uputstvo.


## Priručnik za korisnika će vam pomoći sa korišćenjem proizvoda na brzi bezbedan način.

- Pročitajte uputstvo za upotrebu pre instaliranja i rada sa vašim proizvodom.
- Obavezno pročitatje bezbednosna uputstva.
- Uputstvo za upotrebu čuvajte na pristupačnom mestu jer vam kasnije može zatrebati.
- Pročitajte ostale dokumente priložene uz proizvod.
- Imajte na umu da ovo korisničko uputstvo može da se primeni i na nekoliko drugih modela.
- Razlike između modela će biti naznačene u priručniku.

## Objašnjenje simbola

U ovom priručniku koriste se sledeći simboli:

 Važne informacije ili korisni saveti.

 Upozorenje na uslove opasne po život i imovinu.

 Upozorenje zbog električnog napona.



### **UPOZORENJE!**

Da biste osigurali normalan rad Vašeg frižidera, koji koristi sredstvo za hlađenje R600a koje je potpuno bezopasno po okolinu (zapaljiv samo u određenim uslovima), morate da se držite sledećih pravila:

- Ne sprečavajte slobodnu cirkulaciju vazduha oko uređaja.
- Ne koristite mehaničke aparate da biste ubrzali odmrzavanje, osim onih koje je preporučio proizvođač.
- Ne uništavajte sklop za hlađenje.
- Ne koristite električne aparate u odeljku za držanje hrane, osim onih koje je preporučio proizvođač.

## SADRŽAJ

---

### **1 Vaš frižider 3**

#### **2 Važna bezbednosna upozorenja 4**

Namena .....	4
Opšta bezbednost .....	4
Za proizvode sa dozatorom za vodu; .....	6
Bezbednost dece .....	6
Usaglašenost sa propisom WEEE i propisom za odlaganje otpada .....	6
Informacije o pakovanju .....	7
HCA upozorenje .....	7
Šta treba uraditi radi uštede energije .....	7

#### **3 Instalacija 8**

Tačke na koje treba obratiti pažnju prilikom premeštanja frižidera .....	8
Pre nego što pokrenete frižider .....	8
Električno povezivanje .....	8
Odlaganje pakovanja .....	9
Odlaganje dotrajalog frižidera u otpad .....	9
Postavljanje i instalacija .....	9
Zamena unutrašnje sijalice .....	9
Okretanje vrata .....	10

### **4 Priprema 11**

#### **5 Korišćenje vašeg frižidera 12**

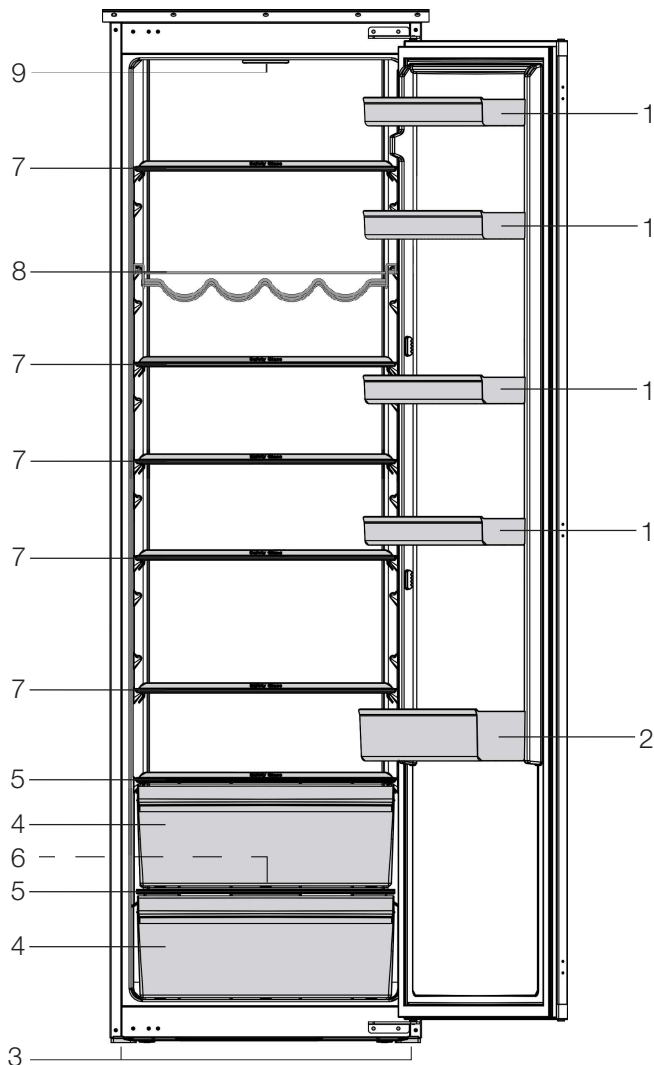
Podешavanje radne temperature ....	12
Korišćenje unutrašnjih odeljaka .....	12
Hlađenje .....	12
Odrnzavanje .....	13
Zaustavljanje proizvoda .....	13

#### **6 Čišćenje i održavanje 14**

Zaštita plastičnih površina ..	14
--------------------------------	----

#### **7 Otklanjanje kvarova 15**

# 1 Vaš frižider



- 1. Podesive police vrata
- 2. Police za flaše
- 3. Prednje nožice
- 4. Odeljak za povrće
- 5. Poklopac odeljka za povrće

- 6. Kanal za skupljanje odmrznute vode – cev za odvod
- 7. Pomične police
- 8. Polica za vino
- 9. Sijalica i kutija termostata

**f** Brojke iz ovog priručnika su šematske i možda ne odgovaraju tačno vašem proizvodu. Ako delovi teme nisu uključeni u proizvod koji ste kupili, onda to važi za druge modele.

## 2 Važna bezbednosna upozorenja

Pročitajte sledeće informacije. Nepoštovanje ovih informacija može dovesti do povreda ili materijalnih šteta. U suprotnom se gubi pravo na garanciju i odgovornost proizvođača.

Originalni rezervni delovi će biti obezbeđeni za 10 godina od dana kupovine proizvoda.

### Namena

Ovaj proizvod je namenjen za upotrebu:

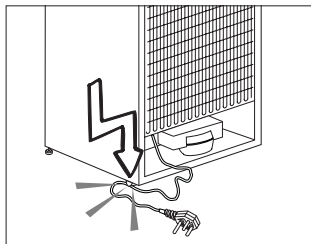
- unutra i u zatvorenim prostorima, kao što su zgrade;
- u zatvorenim radnim okruženjima, kao što su prodavnice i kancelarije;
- u zatvorenim smeštajnim kapacitetima, kao što su odmarališta, hoteli i pansioni.
- Ne sme da se koristi napolju.

### Opšta bezbednost

- Kad hoćete da odložite/bacite proizvod, preporučujemo da se konsultujete sa ovlašćenim servisom da biste saznali potrebne informacije i ovlašćena tela.
- Konsultujte se sa ovlašćenim servisom za sva pitanja i probleme vezane za frižider. Nemojte da dirate i ne dajte da neko drugi dira frižider bez obaveštavanja ovlašćenog servisa.
- Za proizvode sa odeljkom zamrzivača: nemojte da jedete sladoled i kockice leda odmah čim ih izvadite iz zamrzivača! (To može da izazova promrzline u vašim ustima).

- Za proizvode sa odeljkom zamrzivača: ne stavljajte pića u flašama i limenkama u odeljak zamrzivača. Inače mogu da puknu.
- Ne dirajte smrznutu hranu rukom; ona može da se zalepi za ruku.
- Isključite frižider iz struje pre čišćenja ili odmrzavanja.
- Para i isparena sredstva za čišćenje nikad ne smeju da se koriste u čišćenju i procesu odmrzavanja Vašeg frižidera. U takvim slučajevima para može da dođe u kontakt sa električnim delovima i izazove kratki spoj ili električni udar.
- Nikad nemojte da koristite delove na Vašem frižideru, kao što su vrata, za naslanjanje ili stajanje.
- Ne koristite električne aparate u frižideru.
- Nemojte da oštećujete delove tamo gde cirkuliše rashladno sredstvo, s alatom za bušenje ili sečenje. Rashladno sredstvo koje može da eksplodira iz gasnih kanala isparivača, probušene produžene cevi ili premazi površina mogu da izazovu iritaciju kože i oštećenje očiju.
- Ne pokrivajte i ne blokirajte otvore za ventilaciju na Vašem frižideru bilo kakvim materijalima.
- Samo ovlašćene osobe mogu da popravljaju električne uređaje. Popravke koje vrše nekompetentna lica su rizične za korisnika.

- U slučaju bilo kakvog kvara ili za vreme održavanja ili popravke, isključite frižider iz mrežnog napajanja ili isključivanjem odgovarajućeg osigurača ili isključivanjem uređaja iz struje.
- Ne vucite kabl da biste izvukli utikač iz utičnice.
- Pića sa višim grlima moraju da budu dobro zatvorena i uspravna.
- Nikad ne čuvajte sprejeve koji sadrže zapaljive i eksplozivne supstance u frižideru.
- Nemojte da koristite mehanička ili druga sredstva u cilju ubrzanja procesa odleđivanja aparata, osim sredstava preporučenih od strane proizvođača.
- Ovaj proizvod nije namenjen za upotrebu od strane lica sa smanjenim fizičkim, čulnim ili mentalnim sposobnostima ili nedostatkom iskustva i znanja osim ako nisu pod nadzorom ili obučeni za rukovanje od strane lica koje je odgovorno za njihovu bezbednost.
- Ne uključujte oštećeni frižider. Konsultujte servisera ako imate bilo kakve sumnje.
- Električna sigurnost frižidera je garantovana samo ako je sistem uzemljenja u Vašoj kući usklađen sa standardima.
- Izlaganje proizvoda kiši, snegu, suncu i vetru je opasno s obzirom na električnu sigurnost.
- Kontaktirajte ovlašćeni servis ako je oštećen kabl za napajanje da biste izbegli opasnost.
- Nikad ne uključujte frižider u zidnu utičnicu za vreme instalacije. Inače može da dođe do rizika od smrti ili ozbiljne povrede.
- Ovaj frižider je predviđen samo za čuvanje hrane. Ne sme se koristiti za druge svrhe.
- Nalepnica sa tehničkim specifikacijama nalazi se na levoj unutrašnjoj stranici frižidera.
- Nikad ne povezujte svoj frižider sa sistemima za štednju električne energije; oni mogu da oštete frižider.
- Ako frižider ima plavu svetlo, nemojte da gledate u plavo svetlo kroz optičke uređaje.
- Za ručno kontrolisane frižidere: sačekajte najmanje 5 minuta, pa onda uključite frižider nakon nestanka struje.
- Ovo uputstvo za upotrebu treba predati novom vlasniku proizvoda, kao i sledećem vlasniku kada se menja vlasnik.
- Treba izbegavati oštećenje kabla za napajanje prilikom transporta frižidera. Kidanje kabla može prouzrokovati požar. Nikad ne stavljajte teške predmete na kabl za napajanje.



- Ne dodirujte utikač vlažnim rukama kada priključujete proizvod.

- Ne priključujte frižider na zidnu utičnicu ako je labava.
- Voda se ne sme prskati na unutrašnje ili spoljašnje delove proizvoda radi bezbednosti.
- Ne prskajte supstance koje sadrže zapaljive gasove, kao što je propan, blizu frižidera da bi se izbegla opasnost od požara i eksplozije.
- Ne stavljajte posude napunjene vodom na vrh frižidera; u slučaju prosipanja, to može prouzrokovati električni udar ili požar.
- Ne prepunjavajte frižider hranom. Ako se prepuni, hrana može pasti i povrediti vas i oštetiti frižider kada otvorite vrata.
- Ne stavljajte predmete na vrh frižidera jer mogu pasti prilikom otvaranja ili zatvaranja vrata frižidera.
- Materijali koji zahtevaju preciznu temperaturu, kao što su vakcine, lekovi osetljivi na temperaturu, materijali za naučne svrhe itd. ne smeju se čuvati u frižideru.
- Ako frižider nećete da koristite duže vreme, isključite ga iz struje. Mogući problem u kابلu za napajanje može prouzrokovati požar.
- Terminale električnog utikača treba redovno čistiti krpom da ne bi došlo do požara.
- Frižider se može pomerati ako se podesive nožice ne stoje stabilno na podu. Pravilno učvršćivanje podesivih nožica na podu može sprečiti pomeranje frižidera.
- Kada prenosite frižider, ne držite ga za ručicu na vratima. Inače mogu da se odvali.

- Ako proizvod morate da postavite pored drugog frižidera ili zamrzivača, rastojanj e između uređaja treba da bude najmanje 8 cm. U suprotnom se susjedni zidovi mogu ovlažiti.

## Za proizvode sa dozatorom za vodu

- Pritisak vode iz vodovoda ne sme da bude manji od 1 bara. Pritisak vode iz vodovoda ne sme da bude veći od 8 bara.
- Koristiti samo vodu za piće.

## Bezbednost dece

- Ako ste zaključali vrata, ključ treba čuvati van domašaja dece.
- Deca treba da budu pod nadzorom kako bi se osiguralo da se ne igraju sa ovim proizvodom.

## Usaglašenost sa WEEE propisom i propisom za odlaganje otpada

Ovaj proizvod ne sadrži štetne i zabranjene materijale opisane u „Propisu za kontrolu otpada električne i elektronske opreme“ koji izdaje T.R. Ministarstvo životne sredine i prostornog planiranja. Uređaj je usklađen sa WEEE propisom.



Ovaj proizvod je proizveden od visoko kvalitetnih delova i materijala koji se mogu ponovo koristiti i pogodni su za reciklažu. Zbog toga ovaj proizvod ne odlazite sa običnim kućnim otpadom na kraju njegovog veka trajanja. Odnosite ga u sabirni centar za reciklažu električne i elektronske opreme. Obratite se lokalnim vlastima da biste saznali informacije o najbližem sabirnom centru.

Dajte svoj doprinos u očuvanju životne sredine i prirodnih resursa reciklirajući korišćene proizvode. Radi bezbednosti dece, pre odlaganja proizvoda odsecite kabl za napajanje i polomite mehanizam za zaključavanje vrata za punjenje, ako postoji, tako da se onemogući njegovo funkcionisanje.

## Informacije o pakovanju

Materijali za pakovanje ovog proizvoda proizvedeni su od materijala koji se mogu reciklirati u skladu sa nacionalnim propisima o zaštiti životne sredine. Materijale za pakovanje ne odlagati zajedno sa kućnim ili drugim otpadom. Odnosite ih na mesta za prikupljanje ambalažnog materijala određena od strane lokalne vlasti.

### Ne zaboravite...

Sve reciklirane materije je nemerljiva dobrobit za prirodu i nacionalno zdravlje. Ako želite da doprinesete reevaluaciji materijala za pakovanje, možete da se obratite organizacijama za zaštitu životne sredine ili opštinama u kojima se nalazite.

## HCA upozorenje

### Ako rashladni sistem proizvoda sadrži R600a:

Ovaj gas je zapaljiv. Zato vodite računa da prilikom upotrebe i transporta ne oštetite sistem hlađenja i c evi. U slučaju oštećenja, ovaj proizvod čuvajte dalje od potencijalnih izvora vatre, jer se može desiti da se proizvod zapali, i proveravajte prostoriju u kojoj se nalazi.

### Ignorišite ovo upozorenje ako rashladni sistem proizvoda sadrži R134a.

Vrsta gasa koji je korišćen u proizvodu naveden je na tipskoj pločici koja se nalazi na levoj strani unutar frižidera.


Nemojte nikada bacati proizvod u vatru radi odlaganja.

## Šta treba učiniti u cilju uštede energije

- Ne ostavljajte vrata svog frižidera dugo otvorena.
- Ne stavljajte vruću hranu u frižider.
- Ne pretovarujte frižider tako da se unutra ne sprečava cirkulacija vazduha.
- Ne postavljajte svoj frižider pod direktnu svetlost sunca ili blizu aparata koji emituju toplotu, kao što su rerna, mašina za suđe ili radijator. Postavite frižider najmanje 30 cm od izvora toplote i najmanje 5 cm od električnih šporeta.
- Pazite da držite svoju hranu u zatvorenim posudama.
- Odmrzavanje zamrznute hrane u odeljku frižidera obezbediće uštedu energije i očuvati kvalitet hrane.



## 3 Instalacija

 U slučaju da se informacije date u korisničkom priručniku ne poštuju, proizvođač ne preuzima odgovornost za to.

### Tačke na koje treba obratiti pažnju prilikom premeštanja frižidera

1. Vaš frižider treba da bude isključen iz napajanja. Pre transporta vašeg frižidera, treba ga isprazniti i očistiti.
2. Pre nego što ga ponovo upakujete, treba da fiksirate police, dodatne, fioke itd. unutar frižidera lepljivom trakom i obezbedite od udara. Pakovanje treba da bude oblepljeno čvrstom trakom ili kanapom i treba strogo poštovati pravila za transport na pakovanju.
3. Originalno pakovanje i penasti materijali treba da se čuvaju za budući transport ili preseljenje.

### Pre nego što pokrenete frižider

Proverite sledeće pre nego što počnete sa upotrebom frižidera:

1. Da li je unutrašnjost frižidera suva i da li je na njegovoj zadnjoj strani obezbeđena slobodna cirkulacija vazduha?
2. Očistite unutrašnjost frižidera kao što je preporučeno u delu "**Čišćenje i održavanje**".


3. Priključite utikač frižidera u zidnu utičnicu. Kada se vrata frižidera otvore, unutrašnja lampa se uključuje.
4. Kada kompresor krene sa radom, čuće se zvuk. Tečnost i gasovi koji se nalaze u sistemu za hlađenje mogu takođe da stvaraju buku, čak i ako kompresor ne radi i to je potpuno normalno.
5. Prednje ivice frižidera mogu da budu tople na dodir. To je normalno. Ta područja su napravljena da budu topla da bi se izbegla kondenzacija.


### Električno povezivanje

Priključite vaš proizvod na uzemljenu utičnicu koja je zaštićena osiguračem odgovarajuće jačine. Važno:

Priključak mora da bude u skladu sa nacionalnim propisima.

- Utikač kabla za napajanje mora da bude lako dostupan nakon ugradnje.
- Električna sigurnost frižidera je garantovana samo ako je sistem uzemljenja u Vašoj kući usklađen sa standardima.
- Napon naveden na etiketi na unutrašnjoj levoj strani proizvoda treba da odgovara naponu mreže.
- **Produžni kablovi i višestruke utičnice ne smeju se koristiti za priključivanje.**

 Oštećeni kabl za napajanje mora da zameni kvalifikovani električar.

 Proizvod se ne sme uključivati dok se ne popravi! Postoji rizik od električnog udara!

## Odlaganje pakovanja

Materijali za pakovanje mogu biti opasni za decu. Materijale za pakovanje držite van domašaja dece ili ih odložite tako što ćete ih klasifikovati u skladu sa uputstvima za odlaganje otpada koje propisuju vaše lokalne vlasti. Ne bacajte ga sa komunalnim otpadom, bacitega na lokacijama za skupljanje pakovanja koje je naznačeno od strane lokalnih vlasti. Pakovanje vašeg frižidera je proizvedeno od materijala koji se može reciklirati.


## Odlaganje dotrajalog frižidera u otpad

Vaš dotrajali frižider odložite tako da ne štetite životnoj sredini.

- U vezi sa odlaganjem dotrajalog frižidera se možete konsultovati sa ovlašćenim prodavcem ili centrom za sakupljanje otpada u vašoj opštini.

Pre nego što svoj frižider odložite na otpad, odrežite električni utikač i onespobite eventualne bravice na vratima da bi se deca zaštitila odbilo kakve opasnosti.

## Postavljanje instalacija

 Ako ulazna vrata prostorije u koju će da se postavi frižider nisu dovoljno široka da frižider prođe kroz njih, zovite ovlašćeni servis da skine vrata frižidera i provuče ga bočno kroz vrata.

1. Ugradite svoj frižider na mesto koje omogućava laku upotrebu.
2. Držite frižider dalje od izvora toplote, vlažnih mesta i direktne svetlosti sunca.
3. Mora postojati odgovarajuća ventilacija vazduha oko frižidera da bi se postigao efikasan rad. Ako frižiderstavljate u rupu u zidu, mora postojati udaljenost od najmanje 5 cm na vrhu i 5 cm od zida. Ne stavljajte proizvod na materijale kao što su tepih ili ćilim.
4. Stavite frižider na ravnu površinu da biste sprečili trešenje.
5. Ne držite frižider u temperaturi okoline ispod 10°C.

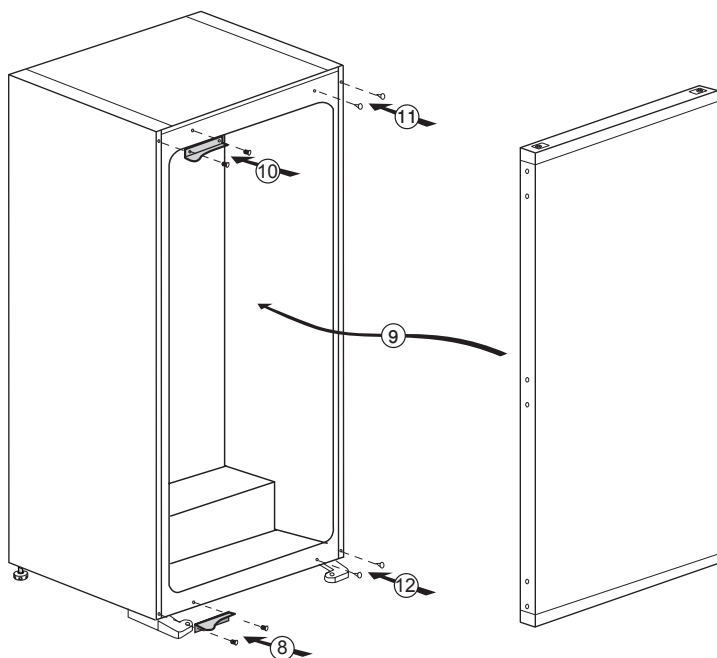
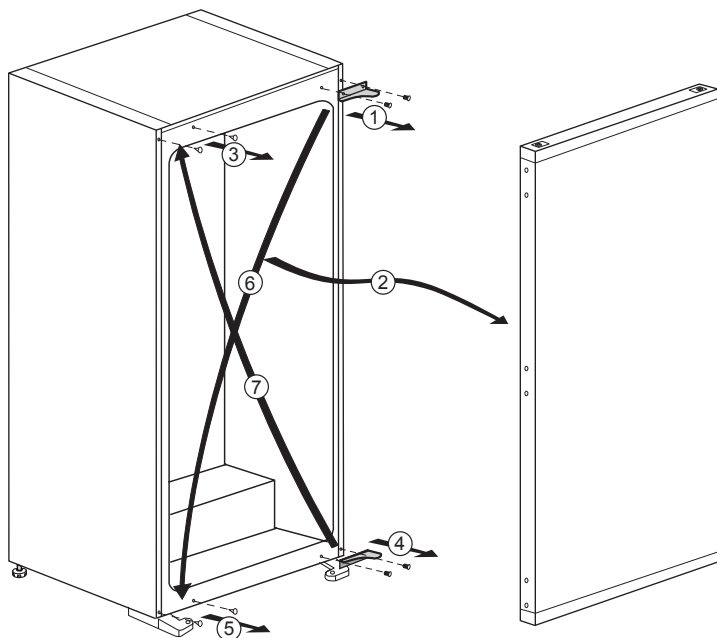
## Zamena unutrašnje lampe

Za promenu sijalice koja služi za osvetljenje u frižideru, pozovite ovlašćeni servis. Lampa (e) koja se koristi u ovom uređaju nije pogodna za domaćinsko osvetljenje.

Namena ove lampe je da pomogne korisniku da stavi namirnice u frižider na sigurno i udoban način. Lampe korišćene u ovom uređaju moraju da izdrže ekstremne fizičke uslove, kao što su temperature ispod -20°C.

## Okretanje vrata

Nastavite redosledom prema brojevima.



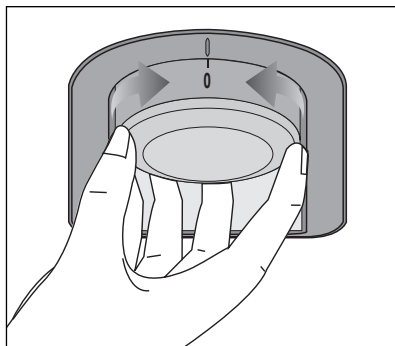
## 4 Priprema

---

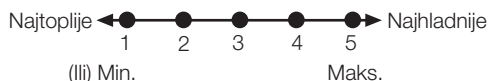
- Vaš frižider treba da se ugradi najmanje 30 cm dalje od izvora toplote kao što su ringle, rerne, centralno grejanje i šporeti i bar 5 cm dalje od električnih rerana i ne treba da se stavi tamo gde je izložen direktnoj sunčevoj svetlosti.
- Temperatura okoline sobe gde ste ugradili svoj frižider treba da bude najmanje 10°C. Rad s Vašim frižiderom pod uslovima hlađenja drugačijim od ovih se ne preporučuje s obzirom na efikasnost.
- Pobrinite se da se unutrašnjost frižidera temeljno čisti.
- Ako su dva frižidera/zamrzivača postavljena jedan pored drugog, udaljenost između njih treba da bude bar 2 cm.
- Kada prvi put uključite frižider, molimo da se držite sledećih uputstava za vreme prvih šest sati.
- Vrata ne trebaju da se otvaraju često.
- Mora da radi prazan, bez ikakve hrane u njemu.
- Nemojte da isključujete frižider iz struje. Ako dođe do nestanka struje van vaše kontrole, pogledajte upozorenja u delu **“Otklanjanje kvarova”**.
- Originalno pakovanje i penasti materijali treba da se čuvaju za budući transport ili preseljenje.

## 5 Korišćenje vašeg frižidera

### Podešavanje radne temperature



Radnu temperaturu određuje termostat.



**1 = Najniže podešavanje hlađenja**  
(Najtoplije podešavanje)

**5 = Najviše podešavanje hlađenja**  
(Najhladnije podešavanje)

(Ili)

**Min. = Najniže podešavanje hlađenja**  
(Najtoplije podešavanje)

**Maks. = Najviše podešavanje hlađenja**  
(Najhladnije podešavanje)

Prosečna temperatura u frižideru treba da bude oko +5°C.

Izaberite podešavanje prema željenoj temperaturi.

Imajte na umu da će u području za hlađenje vladati različite temperature.

Najhladniji deo je odmah iznad odeljka za povrće.

Temperatura unutrašnjosti takođe zavisi od temperature okoline, koliko često otvarate vrata i količine hrane koju držite unutra.

Često otvaranje vrata dovodi do rasta unutrašnje temperature.

Zato se preporučuje da posle upotrebe što pre zatvorite vrata.

### Korišćenje unutrašnjih odeljaka

Pokretne police: Rastojanje između policica se može podesiti ako je potrebno.

Fioka za povrće: U ovom odeljku se duže vreme može čuvati voće i povrće bez njihovog kvarenja.

Polica za flaše: Na ovim policama se mogu držati flaše, tegle i konzerve.

### Hlađenje

#### Čuvanje hrane

Odeljak frižidera služi za kratkotrajno držanje sveže hrane i pića.

Čuvajte mlečne proizvode u za to određenom odeljku u frižideru.

Flaše mogu da se drže u držaču za flaše ili na polici za flaše na vratima.

Sirovo meso se najbolje čuva u polietilenskim kesama u odeljku na dnu frižidera/zamrzivača.

Pustite da se topla hrana i piće ohlade na sobnu temperaturu pre nego što ih stavite u frižider.

- Pažnja  
Koncentrisani alkohol držite samo uspravno i čvrsto zatvoreno.

- Pažnja

Ne držite eksplozivne materijale ili rezervoare sa zapaljivim gasovima (šlag u spreju, konzerve sa sprejovima, itd.) u aparatu. Postoji opasnost od eksplozije.

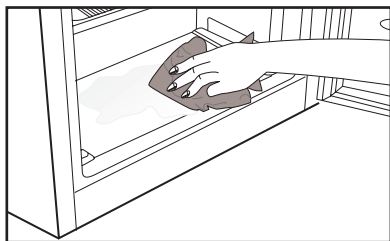
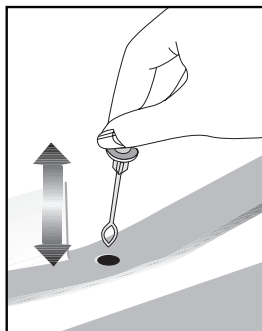
## Odmrzavanje

Odeljak frižidera se odmrzava automatski. Voda koja se topi teče kroz kanal za odvod u rezervoar za skupljanje na zadnjoj strani uređaja.

Za vreme otapanja, na zadnjoj strani frižidera se formiraj u kapljice vode zbog isparivača.

Zamrznenu posle odmrzavanja; uklonite ih krpom natopljenom u vodi, nikad tvrdim ili oštrim predmetom.

S vremena na vreme proveravajte oticanje otopljene vode. Povremeno može da se začepi.



## Zaustavljanje proizvoda


Ako termostat ima položaj „0“:


- Možete da zaustavite rad proizvoda stavljanjem dugmeta termostata u položaj "0" (nula). Vaš proizvod se neće pokrenuti ako dugme termostata ne vratite u položaj "1" ili u neki drugi položaj.


Ako termostat ima položaj „min“:


- Izvucite utikač iz utičnice da biste zaustavili proizvod.


## 6 Čišćenje i održavanje


 Nikada ne koristite benzin, benzen ili slične supstance za svrhe čišćenja.


 Preporučujemo da pre čišćenja isključite uređaj iz struje.


 Za čišćenje nikad nemojte da koristite oštre alate ili abrazivne materije, sapun, sredstva za čišćenje domaćinstava, deterdžente ili vosak za poliranje.


 Za čišćenje frižidera, koristite mlaku vodu i obrišite ga.


 Za čišćenje unutrašnjosti i sušenje koristite iscedenu krpu koju ste bi li umočili u rastvor od jedne kafene kašičice soda bikarbone u otprilike pola litre vode.

 Pazite da voda ne uđe u kućište lampe i druge električne instalacije.


 Ako frižider nećete da koristite duže vreme, isključite ga, izvadite svu hranu, oč istite ga i ostavite vrata odškrinuta.

 Redovno proveravajte izolaciju vrata da biste bili sigurni da je čista i da na njoj nema hrane.

 Da biste skinuli policu vrata, izvadite sav sadržaj i jednostavno gurnite policu vrata prema gore iz baze.

 Nikad ne koristite sredstva za čišćenje ili vodu koji sadrže hlor da biste očistili spoljašnje površine i hromirane delove proizvoda. Hlor izaziva koroziju na takvim metalnim površinama.

### Zaštita plastičnih površina

 Ne stavljajte tekuća ulja ili hranu kuvanu s uljem u frižider nepoklopljenu jer može da ošteti plastične površine vašeg frižidera. U slučaju prolivanja ili razmazivanja na plastičnim površinama, odmah ih očistite i isperite toplom vodom.

## 7 Otklanjanje kvarova

Pregledajte ovu listu pre zvanja servisa. To može da vam uštedi vreme i novac. Ova lista uključuje česte probleme do kojih ne dolazi zbog neadekvatne izrade ili upotrebe materijala. Neke funkcije, koje su ovde opisane, možda ne postoje kod vašeg proizvoda.

### Frižider/zamrzivač ne radi.

- Utikač nije pravilno uključen u utičnicu. >>>Bezbedno uključite utikač u utičnicu.
- Osigurač utičnice na koju je priključen frižider/zamrzivač je pregoreo ili je pregoreo glavni osigurač. >>>Proverite osigurač.

### Kondenzacija na bočnom zidu odeljka frižidera ("MULTIZONE" (VIŠENAMENSKA ZONA), "COOL CONTROL" (KONTROLA HLAĐENJA) i "FLEXI ZONE" (FLEKSIBILNA ZONA)).

- Sredina je veoma hladna. >>>Ne instalirajte frižider/zamrzivač na mestima gde temperatura pada ispod 10°C.
- Vrata se često otvaraju. >>>Ne otvarajte i ne zatvarajte često vrata frižidera/zamrzivača.
- Sredina je veoma vlažna. >>>Ne instalirajte frižider/zamrzivač na visoko vlažnim mestima.
- Hrana koja sadrži vodu se čuva u otvorenim posudama. >>>Ne čuvajte tečnu hranu u otvorenim posudama.
- Vrata frižidera/zamrzivača su odškrinuta. >>>Zatvorite vrata frižidera/zamrzivača.
- Termostat je podešen na veoma hladan nivo. >>>Podesite termostat na odgovarajući nivo.

### Kompresor ne radi.

- Zaštitni termo-osigurač kompresora će pregoreti za vreme naglog nestanka struje ili uključivanja i isključivanja, jer se pritisak rashladnog sredstva sistema frižidera/zamrzivača još uvek nije stabilizovao. Frižider/zamrzivač će početi da radi otprilike posle 6 minuta. Molimo zovite servis ako se frižider/zamrzivač ne uključi na kraju ovog perioda.
- Frižider je u ciklusu odmrzavanja. >>>To je normalno za frižider/zamrzivač koji se potpuno automatski odmrzava. Ciklus odmrzavanja se uključuje periodično.
- Frižider/zamrzivač nije uključen u utičnicu. >>>Pazite da je utikač pravilno stavljen u utičnicu.
- Podešavanja temperature nisu pravilno izvršena. >>>Izaberite odgovarajuću vrednost temperature.
- Nestalo je struje. >>>Frižider/zamrzivač nastavlja normalno da radi kada dođe struja.

### Buka u toku rada se povećava kad frižider/zamrzivač radi.

- Radne karakteristike frižidera/zamrzivača se mogu menjati u skladu sa promenama temperature okoline. To je normalno i nije greška.



<b>Frižider/ zamrzivač radi stalno ili dugo.</b>
<ul style="list-style-type: none"> <li>• Novi aparat je možda širi od prethodnog. Veći frižideri/zamrzivači rade duže vreme.</li> <li>• Temperatura okoline u sobi može da bude visoka. &gt;&gt;&gt;Normalno je da aparat radi duže vremena u vrelim prostorima.</li> <li>• Frižider/zamrzivač je možda nedavno uključen ili napunjen hranom. &gt;&gt;&gt;Kada je frižider/zamrzivač uključen ili nedavno napunjen hranom, biće mu potrebno više vremena da postigne podešenu temperaturu. To je normalno.</li> <li>• U frižider/zamrzivač su možda nedavno stavljene veće količine vruće hrane. &gt;&gt;&gt;Ne stavljajte vruću hranu u frižider/zamrzivač.</li> <li>• Vrata su možda često otvarana ili su odškrinuta duže vreme. &gt;&gt;&gt;Topli vazduh koji je ušao u frižider/zamrzivač je uzrok dužeg rada frižidera/zamrzivača. Ne otvarajte vrata često.</li> <li>• Vrata odeljka zamrzivača ili frižidera su možda odškrinuta. &gt;&gt;&gt;Proverite da li su vrata dobro zatvorena.</li> <li>• Frižider/zamrzivač je podešen na veoma nisku temperaturu. &gt;&gt;&gt;Podesite temperaturu frižidera/zamrzivača na topliji stepen i sačekajte dok se ne postigne temperatura.</li> <li>• Zaptivač vrata frižidera može da bude zaprljan, istrošen, polomljen ili da ne leže kako treba. &gt;&gt;&gt;Očistite ili zamenite zaptivač. Oštećen/pokvaren zaptivač dovodi do toga da frižider/zamrzivač radi duže vreme da bi održao trenutnu temperaturu.</li> </ul>
<b>Temperatura zamrzivača je jako niska dok je temperatura frižidera dovoljna.</b>
<ul style="list-style-type: none"> <li>• Temperatura zamrzivača je podešena na jako nisku temperaturu. &gt;&gt;&gt;Podesite temperaturu zamrzivača na topliji nivo i proverite.</li> </ul>
<b>Temperatura frižidera je jako niska dok je temperatura zamrzivača dovoljna.</b>
<ul style="list-style-type: none"> <li>• Temperatura frižidera je podešena na jako nisku temperaturu. &gt;&gt;&gt;Podesite temperaturu frižidera na topliji stepen i proverite.</li> </ul>
<b>Hrana koja se čuva na policama u odeljku frižidera se zamrzava.</b>
<ul style="list-style-type: none"> <li>• Temperatura frižidera je podešena na veoma visoku temperaturu. &gt;&gt;&gt;Podesite temperaturu frižidera na hladniji stepen i proverite.</li> </ul>
<b>Temperatura u frižideru ili zamrzivaču je veoma visoka.</b>
<ul style="list-style-type: none"> <li>• Temperatura frižidera na veoma visoku vrednost. &gt;&gt;&gt;Podešavanje temperature odeljka frižidera utiče na temperaturu zamrzivača. Promenite temperature frižidera ili zamrzivača i čekajte dok odgovarajući odeljci ne postignu dovoljnu temperaturu.</li> <li>• Vrata su često otvarana ili su odškrinuta duže vreme. &gt;&gt;&gt;Ne otvarajte vrata često.</li> <li>• Vrata su odškrinuta. &gt;&gt;&gt;Zatvorite vrata do kraja.</li> <li>• Frižider/zamrzivač je uključen ili je nedavno napunjen hranom. &gt;&gt;&gt;To je normalno. Kada je frižider/zamrzivač uključen ili nedavno napunjen hranom, biće mu potrebno više vremena da postigne podešenu temperaturu.</li> <li>• U frižider/za mrzivač su možda nedavno stavljene veće količine vruće hrane. &gt;&gt;&gt;Ne stavljajte vruću hranu u frižider/zamrzivač.</li> </ul>

<b>Vibracije ili buka.</b>
<ul style="list-style-type: none"> <li>• Pod nije ravan ili stabilan. &gt;&gt;&gt;Ako se frižider/zamrzivač ljulja kad se polako pomera, uravnoteži te ga podešavanjem nožica. Pobrinite se da je pod dovoljno jak da može da nosi frižider/zamrzivač i da je ravan.</li> <li>• Predmeti stavljeni na frižider/zamrzivač mogu izazivati buku. &gt;&gt;&gt;Sklonite predmete sa frižidera/zamrzivača.</li> </ul>
<b>Postoje šumovi koji dolaze iz frižidera/zamrzivača kao što je proticanje tečnosti, prskanje itd.</b>
<ul style="list-style-type: none"> <li>• Cirkulacija tečnosti i gasa se vrši u skladu sa principima rada vašeg frižidera/zamrzivača. To je normalno i nije greška.</li> </ul>
<b>Čuje se zviždanje iz frižidera/zamrzivača.</b>
<ul style="list-style-type: none"> <li>• Ventilatori se koriste za rashlađivanje frižidera/zamrzivača. To je normalno i nije greška.</li> </ul>
<b>Kondenzat na unutrašnjim površinama frižidera/zamrzivača.</b>
<ul style="list-style-type: none"> <li>• Vruće i vlažno vreme pojačava stvaranje leda i kondenzaciju. To je normalno i nije greška.</li> <li>• Vrata su često otvarana ili su odškrinuta duže vreme. &gt;&gt;&gt;Ne otvarajte vrata često. Zatvorite ih ako su otvorena.</li> <li>• Vrata su odškrinuta. &gt;&gt;&gt;Zatvorite vrata do kraja.</li> </ul>
<b>Vlaga nastaje na spoljašnjoj strani frižidera/zamrzivača ili između vrata.</b>
<ul style="list-style-type: none"> <li>• Možda je vlažan vazduh; to je potpuno normalno na vlažnom vremenu. Kad bude manje vlage, kondenzat će nestati.</li> </ul>
<b>Neprijatan miris unutar frižidera/zamrzivača.</b>
<ul style="list-style-type: none"> <li>• Ne obavlja se redovno čišćenje. &gt;&gt;&gt;Redovno čistite unutrašnjost frižidera/zamrzivača sunđerom, toplom vodom ili natrijum bikarbonatom razblaženim u vodi.</li> <li>• Neke posude ili pakovanja možda uzrokuju neprijatan miris. &gt;&gt;&gt;Upotrebite drugu posudu ili drugu marku materijala za pakovanje.</li> <li>• Hrana je stavljena u frižider/zamrzivač u nepokrivenim posudama. &gt;&gt;&gt;Držite hranu u zatvorenim posudama. Mikroorganizmi koji se šire iz nepokrivenih posuda mogu izazvati neprijatne mirise.</li> <li>• Sklonite iz frižidera/zamrzivača hranu sa isteklim rokom i koja je pokvarena.</li> </ul>
<b>Vrata se ne zatvaraju.</b>
<ul style="list-style-type: none"> <li>• Paketi hrane možda sprečavaju zatvaranje vrata. &gt;&gt;&gt;Pomerite pakete koji smetaju vratima.</li> <li>• Frižider/zamrzivač ne stoji potpuno ravno na podu. &gt;&gt;&gt;Podesite nožice da biste uravnotežili frižider/zamrzivač.</li> <li>• Pod nije ravan ili čvrst. &gt;&gt;&gt;Pobrinite se da je pod ravan, jak i da može da nosi frižider/zamrzivač.</li> </ul>
<b>Odeljak za povrće je zaglavljnjen.</b>
<ul style="list-style-type: none"> <li>• Hrana dodiruje plafon fiokje. &gt;&gt;&gt;Prerasporedite hranu u fioci.</li> </ul>

## Molimo Vas da prvo pročitate ovaj priručnik!

Poštovani korisniče,

Nadamo se da će vam vaš proizvod, koji je proizveden u modernom pogonu i provjeren pod najpedantnijim procedurama kontrole kvaliteta, pružiti efektivnu uslugu.

Za ovo vam preporučujemo da pažljivo pročitate cijeli priručnik o vašem proizvodu prije nego ga počete koristiti i držite priručnik pri ruci radi budućih referenci.

### Ovo korisničko uputstvo

- Pomoći će vam da koristite vaš uređaj na brz i siguran način.
- Pročitajte priručnik prije ugradnje i puštanja u rad vašeg proizvoda.
- Slijedite uputstva, naročito ona koja se tiču sigurnosti.
- Držite priručnik na lako dostupnom mjestu ako bi vam zatrebao kasnije.
- Osim toga, pročitajte takođe i druge dokumente koji su isporučeni uz vaš proizvod.
- Molimo vas imajte na umu da ovaj priručnik može vrijediti takođe i za druge modele.

### Simboli i njihovi opisi

Ovaj priručnik sadrži sljedeće simbole:

- 📖 Važne informacije ili korisni savjeti za upotrebu.
- ⚠️ Upozorenje za opasne situacije po pitanju života i imovine.
- ⚡ Upozorenje za električni napon.



#### **UPOZORENJE!**

Kako bi se osigurao normalan rad vašeg zamrzivača koji koristi kompletno ekološki prihvatljivo rashladno sredstvo R600a (zapaljivo samo pod određenim uvjetima), trebate se pridržavati sljedećih pravila:

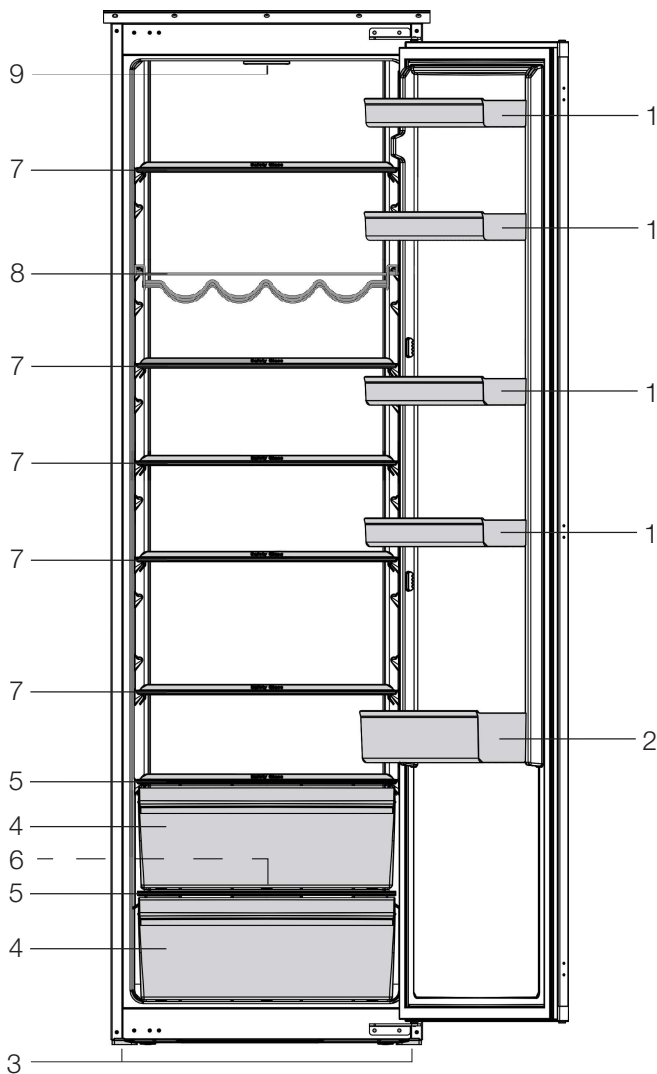
- Ne ometati slobodnu cirkulaciju zraka oko zamrzivača.
- Ne koristiti mehanička sredstva za ubrzavanje odleđivanja, koja nije preporučio proizvođač.
- Paziti da se ne ošteti krug rashladnog sredstva.
- Unutar prostora zamrzivača za spremanje namirnica ne koristiti električne uređaje koje nije preporučio proizvođač.

# SADRŽAJ

---

<b>1 Vaš frižider</b>	<b>3</b>	<b>4 Priprema</b>	<b>10</b>
<b>2 Važna sigurnosna upozorenja</b>	<b>4</b>	<b>5 Korištenje vašeg frižidera</b>	<b>11</b>
Namijenjena upotreba.....	4	Tipka za podešavanje termostata.....	11
Opća sigurnost.....	4	Korištenje unutrašnjih odjeljaka.....	11
Za proizvode sa dispencerom za vodu.....	5	Hlađenje.....	11
Sigurnost za djecu.....	6	Odleživanje.....	12
Usklađenost sa WEEE propisima i odlaganje otpadnog proizvoda .....	6	Zaustavljanje vašeg proizvoda.....	12
Informacije o pakovanju HCA upozorenje.....	6	<b>6 Održavanje i čišćenje</b>	<b>13</b>
Stvari koje treba uraditi radi uštede energije.....	6	Zaštita plastičnih površina.....	13
<b>3 Ugradnja</b>	<b>7</b>	<b>7 Rješavanje problema</b>	<b>14</b>
Stvari na koje je potrebno obratiti pažnju u slučaju premiještanja frižidera.....	7		
Prije nego uključite frižider,.....	7		
Električno povezivanje.....	7		
Odlaganje pakovanja.....	7		
Odlaganje vašeg starog frižidera.....	8		
Postavljanje i ugradnja.....	8		
Zamjena unutrašnje sijalice.....	8		
Preusmjeravanje vrata.....	9		

# 1 Vaš frižider



- |  |   |
|--|---|
| 1. Podesive police vrata                 | 6. Kanal za skupljanje odmrznute vode - odvodna cijev |
| 2. Polica za flaše                       | 7. Pokretne police                                    |
| 3. Prednje noge                          | 8. Polica za vinske flaše                             |
| 4. Odjeljak za svježa namirnica          | 9. Kutija sijalice i termostata                       |
| 5. Poklopac odjeljak za svježe namirnice |   |

**i** Slike koje su prikazane u ovom priručniku su shematske i možde neće tačno odgovarati vašem proizvodu. Ako određeni dijelovi nisu uključeni uz uređaj koji ste kupili, onda je to važeće za druge modele.

## 2 Važna sigurnosna upozorenja

Molimo vas pregledajte sljedeće informacije: Nepoštivanje ovih informacija može prouzrokovati povrede ili materijalne štete. U suprotnom, garancija i obaveze proizvođača u smislu pouzdanosti proizvoda će biti nevažeće.

Originalni rezervni dijelovi biće obezbijeđeni za narednih 10 godina počev od datuma kupovine proizvoda.

### Namijenjena upotreba

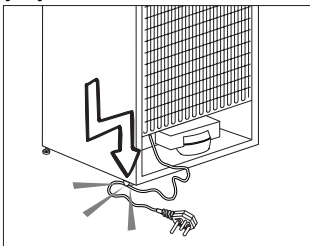
Ovaj proizvod je namijenjen da se koristi u:

- zatvorenim prostorima poput kuće;
- zatvorenim radnim prostorima poput prodavaonica ili ureda;
- zatvorenim prostorima za smještaj poput seoskih kuća, hotela, pansiona.
- Uređaj ne bi trebalo koristiti vani.

### Opća sigurnost

- Preporučujemo da se konsultujete sa ovlaštenim servisom da bi ste saznali odgovarajuće informacije i ovlaštena tijela za odlaganje otpada, u slučaju kada želite da se riješite ovoga proizvoda ili ga odložite.
- Konsultujte se sa ovlaštenim servisom u vezi svih pitanja i problema koje imate sa ovim frižiderom. Nemojte poduzimati nikakve radnje nad frižiderom ili pustiti nekoga da to radi, bez da ste prethodno obavijestili ovlašteni servis.
- Za proizvode sa zamrzivačem; Nemojte jesti sladoled i kockice leda odmah nakon što ih izvadite van frižidera! (Ovo može uzrokovati promzline u vašim ustima.)
- Za proizvode sa zamrzivačem; Ne stavljajte napitke u boci ili limenci u frižider. U suprotnom, mogu se razbiti.
- Ne dirajte rukama zaleđenu hranu; Može se zalijepiti za vaše ruke.
- Isključite frižider prije čišćenja i odmrzavanja.
- Para i materijali za čišćenje na paru se nikada ne bi trebali koristiti za postupke čišćenja i odleđivanja vašeg frižidera. U ovim slučajevima, para može doći u dodir sa električnim dijelovima te prouzrokovati kratke spojeve ili električne šokove.
- Nikad ne koristite dijelove vašeg frižidera, poput vrata, kao sredstva za potporu ili stepenik.
- Ne koristite elektroničke uređaje unutar frižidera.
- Nemojte oštetiti dijelove, na mjestima gdje se odvija kruženje rashladnog medija, alatima za bušenje ili sječenje. Frižider može eksplodirati u slučaju kada se probuše plinski kanali isparivača, produžetci cijevi ili površinske presvlake, što može prouzrokovati iritacije na koži ili povrede očiju.
- Nemojte pokrivati niti blokirati ventilacione otvore na vašoj jedinici.
- Elektronički uređaji moraju biti popravljani samo od strane ovlaštenih osoba. Popravke koje su provedene od strane nekompetentnih osoba uzrokuju rizik za korisnika.
- U slučaju bilo kakvog kvara ili tokom održavanja ili popravke, isključite vaš frižider s napajanja bilo isključivanjem odgovarajućeg osigurača ili isključivanjem vašeg uređaja iz utičnice.
- Ne povlačite kabal kada želite da ga isključite iz utičnice.
- Držite pića s većim stepenom jačine čvrsto zatvorena i u vertikalnom položaju.
- Nikad ne stavljajte u frižider limenke spreja koje sadrže zapaljive i eksplozivne supstance.
- Nemojte koristiti mehanička ili druga pomagala da bi ste ubrzali proces odmrzavanja, osim sredstava preporučenih od strane proizvođača.
- Ovaj proizvod nije namijenjen za korištenje od strane osoba s fizičkim, čulnim ili mentalnim poremećajima ili od strane osoba koje nisu educirane ili koje nemaju iskustva (uključujući i djecu) osim ako oni nisu pod nadzorom od strane osoba koje će biti odgovorne za njihovu sigurnost ili koje će ih obučiti kako da koriste proizvod.
- Ne raditi sa oštećenim frižiderom. Konsultujte se sa ovlaštenim serviserom ukoliko imate bilo kakvih pitanja.

- Sigurnost koja se tiče električnih instalacija će biti zagarantovana jedino ukoliko je sistem uzemljenja u vašem domu urađen prema odgovarajućim standardima.
- Izlaganje proizvoda kiši, snijegu, suncu i vjetru je opasno s obzirom na električnu sigurnost.
- Da biste izbjegli opasnost, pozovite ovlaštenog servisera kada je oštećen kabal za napajanje.
- Nikad ne uključujte frižider u zidnu utičnicu tokom instaliranja. U suprotnom, postoji rizik od smrti ili ozbiljnih povreda.
- Frižider je namjenjen za pohranu jedino prehrambenih proizvoda. Ne smije se koristiti u bilo koje druge svrhe.
- Etiketa sa tehničkim specifikacijama se nalazi na lijevom zidu, unutar frižidera.
- Nikad ne spajajte vaš frižider na sisteme za uštedu energije; oni mogu oštetiti frižider.
- Ukoliko postoji plavo svjetlo na frižideru, ne gledajte na njega sa optičkim pomagalicama.
- Za ručno upravljane frižidere, sačekajte najmanje 5 minuta da bi ste pokrenuli frižider nakon nestanka struje.
- U slučaju da proizvod mijenja vlasnika potrebno je i ovo uputstvo za upotrebu predati novom vlasniku proizvoda.
- Pazite da ne oštetite kabal za napajanje u slučaju transporta frižidera. Savijeni kabal može prouzrokovati požar. Nikada ne stavljajte teške objekte na kabal za napajanje.



- Ne dirajte utičnicu sa mokrim rukama kada uključujete proizvod u struju.
- Nemojte uključivati frižider ako zidna utičnica nije pričvršćena.
- Voda se ne smije prskati po unutrašnjim ili spoljnim dijelovima proizvoda iz sigurnosnih razloga.
- Da biste izbjegli rizik od vatre ili eksplozije, nikada blizu frižidera ne pršcite supstance koje sadrže zapaljive gasove poput propana.

- Nikada ne stavljajte posude napunjene vodom na vrh frižidera; u slučaju proljevanja, to može izazvati strujni udar ili požar.
- Nemojte pretpavati frižider hranom. Ukoliko je frižider preopterećen, tada, prilikom otvaranja vrata mogu ispasti prehrambeni proizvodi te vas povrijediti i oštetiti frižider.
- Nikada ne stavljajte predmete na frižider; u suprotnom, ti predmeti mogu pasti kada otvarate ili zatvarate vrata frižidera.
- Cjepiva, temperaturno osjetljive lijekove te znanstvene materijale ne bi ste trebali čuvati u frižideru, obzirom da oni zahtjevaju da se skladište na preciznoj temperaturi.
- Frižider bi se trebao isključiti ukoliko se duže vremena ne koristi. Mogući problemi sa napojnim kablom mogu prouzrokovati požar.
- Utikač bi trebalo redovno čistiti suhom krpom; u suprotnom, može izazvati požar.
- Moguće je da se frižider pomjera ukoliko noge frižidera nisu propisno postavljene na pod. Propisno postavite podesive noge na pod da izbjegnute pomjeranje frižidera.
- Kada prenosite frižider ne držite ga za dršku vrata. U suprotnom, ona može pući.
- Ne postavljajte vaš proizvod previše blizu drugog frižidera ili zamrzivača. Udaljenost između ovih uređaja treba biti najmanje 8cm. U suprotnom, može doći do vlage na susjednim bočnim zidovima uređaja.

## Za proizvode sa dispenzerom za vodu

- Pritisak dovodne vode bi trebao biti između 1 i 8 bara.
- Koristite čistu i samo onu vodu koja je za piće.

## Sigurnost za djecu

- Ako imate bravu an vratima, tipku bi trebalo čuvati van dosega djece.
- Djeca trebaju biti pod nadzorom u cilju da bi ih se spriječilo da se igraju sa proizvodom.

## Usklađenost sa WEEE propisima i odlaganje otpadnog proizvoda

Ovaj proizvod ne sadrži štetne ili zabranjene materijale koji su opisani u "Uredba o kontroli otpada električne i elektronske opreme" izdana od strane T.R. Ministarstvo okoliša i urbanističkog planiranja. Usklađeno s WEEE propisima.



Ovaj proizvod je proizveden od dijelova i materijala visokog kvaliteta koji se mogu ponovo koristiti i pogodni su za recikliranje. Stoga, nemojte odlagati proizvod s normalnim kućnim otpadom na kraju njegovog vijeka trajanja.

Odneste ga u centar za

prikupljanje u cilju recikliranja električne i elektroničke opreme. Molimo vas konsultujte se s lokalnim vlastima da saznate o ovim centrima za prikupljanje. Pomozite u zaštiti okoliša i prirodnih resursa tako što ćete reciklirati korištene proizvode. Radi sigurnosti za djecu, odsijecite napojni kabal i skršite mehanizam za zaključavanje vrata, ako postoji, tako da ne bude funkcionalan prije odlaganja proizvoda.

## Informacije o pakovanju

Materijali za pakovanje proizvoda su proizvedeni od reciklirajućih materijala u skladu sa našim državnim propisima za okoliš. Nemojte odlagati materijale za pakovanje zajedno s kućnim ili drugim otpadom. Odnosite ih do mjesta za prikupljanje materijala za pakovanje koja su označena od strane lokalnih vlasti.

### Ne zaboravite...

Bilo koja reciklirana tvar je neophodna stvar za prirodu i naše nacionalno bogatstvo.

Ako želite doprinjeti dodatnom vrednovanju materijala za pakovanje, možete se posavjetovati kod vaših organizacija za zaštitu okoline ili kod općina u gdje se nalazite.

## HCA upozorenje

### Ako sistem hlađenja vašeg proizvoda sadrži R600a:

Ovaj plin je zapaljiv. Stoga, obratite pažnju da ne oštetite sistem hlađenja i cijevi tokom korištenja ili transporta proizvoda. U slučaju oštećenja, držite proizvod dalje od potencijalnih izvora vatre koji mogu izazvati da vatra zahvati proizvod, te također prozračujte prostoriju u kojoj je proizvod postavljen.

### Zanemarite ovo upozorenje ako sistem hlađenja vašeg proizvoda sadrži R134a.

Vrsta plina koji je korišten u proizvodu je navedena na etiketi koja se nalazi na lijevom zidu u unutrašnjosti frižidera.


Nikad ne stavljajte proizvod u vatru u cilju odlaganja.

## Stvari koje je potrebno uraditi radi uštede energije

- Nemojte ostavljati vrata vašeg proizvoda otvorenim na duže vrijeme.
- Nemojte stavljati toplu hranu ili pića u vaš frižider.
- Ne preopterećujte vaš frižider tako da je unutar njega sprječeno cirkulisanje zraka.
- Ne postavljate vaš frižider direktno na sunčevu svjetlost ili blizu aparata koji emituju toplotu, poput pećnica, mašina za pranje posuđa ili radijatora. Odmaknite vaš frižider najmanje 30 cm od izvora koji emituju toplotu i najmanje 5 cm od električnih pećnica.
- Vodite računa o tome da hranu odlažete u uređaj u zatvorenim posudama.
- Otapanje zamrznute hrane u odjeljku frižidera će omogućiti uštedu energije i ujedno očuvati kvalitet hrane.



### 3 Ugradnja

-  U slučaju da se informacije koje su date u priručniku za korisnika ne uzmu u obzir, proizvođač neće preuzeti bilo kakvu odgovornost za to.

#### Stvari na koje je potrebno obratiti pažnju u slučaju premiještanja frižidera

1. Vaš frižider bi trebao biti isključen iz utičnice.
2. Prije transporta vašeg frižidera, isti je potrebno isprazniti i očistiti.
3. Prije ponovnog pakovanja, police, dodatni pribor, odjeljak za svježe namirnice, te ostale dijelove unutar frižidera bi trebalo pričvrstiti ljepljivom trakom i osigurati od udara.
4. Pakovanje bi trebalo vezati debelom trakom ili užetom i striktno se treba pridržavati pravila za transport koja se nalaze na pakovanju.
5. Originalno pakovanje i pjenaste materijale bi trebalo čuvati radi budućih transporta ili premiještanja.

#### Prije nego uključite frižider


Provjerite sljedeće prije nego počnete koristiti vaš frižider:


1. Da li je unutrašnjost frižidera suha i da li zrak može slobodno da cirkulira u i oko njega?
2. Očistite unutrašnjost proizvoda kao što je to preporučeno u odjeljku "Održavanje i čišćenje".
3. Spojite utikač frižidera u utičnicu. Kada se vrata frižidera otvore, unutrašnja lampica u frižideru će se upaliti.
4. Kada kompresor počne s radom, zvuk će se čuti. Tečnosti i plinovi koji su zatvoreni u rashladnom sistemu mogu također proizvoditi neku buku, bilo da kompresor radi ili ne. To je normalna pojava.
5. Prednji rubovi frižidera mogu činiti toplim. To je normalno. Ova područja su dizajnirana da budu topla da bi se izbjegla kondenzacija.

#### Električno priključivanje

Spojite vaš proizvod na uzemljenu utičnicu koja je zaštićena osiguračem odgovarajućeg kapaciteta. Važno:

- Priključivanje mora biti u skladu s državnim propisima.
- Utikač za napajanje mora biti lako dokučiv nakon ugradnje.
- Sigurnost koja se tiče električnih instalacija će biti zagarantovana jedino ukoliko je sistem uzemljenja u vašem domu urađen prema odgovarajućim standardima.
- Napon koji je naveden na etiketi smještenoj u unutrašnjosti na lijevoj strani vašeg proizvoda bi trebao biti jednak vašem mrežnom naponu.
- **Produžni kablovi i višestruki utikači se ne smiju koristiti za priključivanje.**

 Oštećen napojni kabal mora zamijeniti kvalifikovani električar.

 Proizvod se ne smije puštati u rad prije nego se to popravi! Postoji rizik od strujnog udara!

#### Odlaganje pakovanja

Materijali za pakovanje mogu biti opasni za djecu. Držite materijale za pakovanje van doseg djece ili ih odložite tako što ćete ih klasifikovati u skladu s uputstvima o otpadu navedenim od strane vaših lokalnih vlasti. Nemojte ga odlagati s kućnim otpadom, odložite ga na mjesta za prikupljanje koja su određena od strane lokalnih vlasti.

Pakovanje vašeg frižidera je proizvedeno od materijala koji se mogu reciklirati.


## Odlaganje vašeg starog frižidera

Odložite vaš stari frižider tako da ne nanosite nikakvu štetu za okoliš.

- Možete se posavjetovati s lokalnim trgovcem ili centrom za prikupljanje otpada u vašoj općini u vezi odlaganja vašeg starog frižidera.

Prije nego što odložite vaš frižider, odsjecite električni utikač i ukoliko postoje bilo kakve brave na vratima, onemogućite njihovo otvaranje da biste zaštitili djecu od bilo kakve opasnosti.

## Postavljanje i ugradnja

 A ako ulazna vrata prostorije u kojoj će frižider biti smješten nisu dovoljno široka da frižider može proći kroz njih, tada pozovite ovlaštenu servis da vam ukloni vrata s vašeg frižidera kako biste ga mogli unijeti bočno kroz vrata.

1. Instalirajte vaš frižider na mjesto koje vam omogućava lako korištenje.
2. Držite frižider podalje od izvora toplote, vlažnih mjesta i direktnog sunčanog svjetla.
3. Da bi frižider mogao efikasno raditi oko njega se mora obezbjediti odgovarajuća ventilacija vazduha. Ukoliko frižider namjeravate postaviti u udubljenje u zidu, onda morate osigurati da između frižidera i plafona odnosno zidova postoji najmanje 5 cm udaljenosti. Nemojte stavljati vaš proizvod na materijale kao što su prostirač ili tepih.
4. Stavite vaš proizvod na ravan pod kako biste spriječili drmanje.
5. Ne držite vaš frižider u temperaturi okoline koja je niža od 10°C.

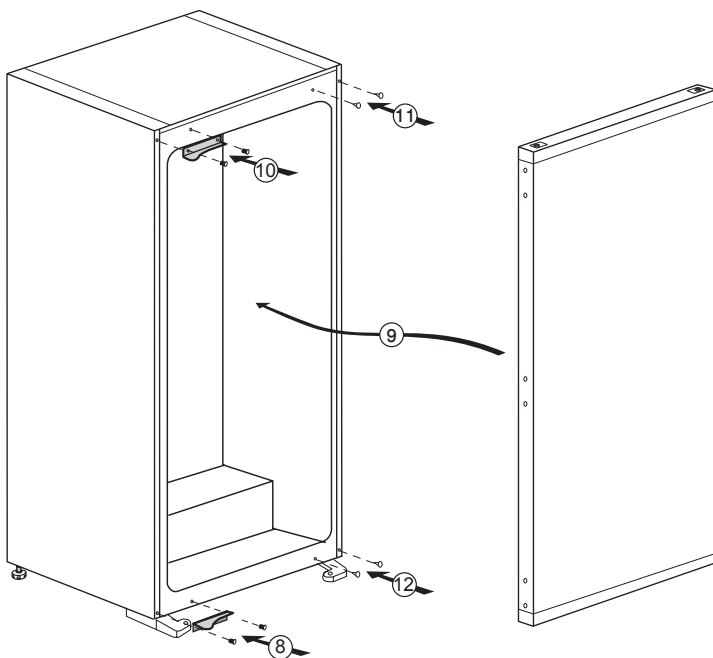
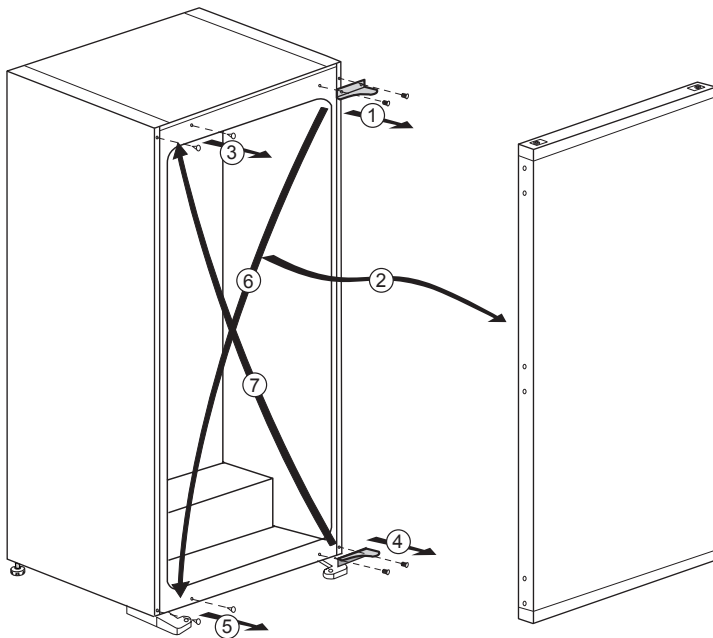
## Zamjena unutrašnje sijalice

Da biste promijenili lampicu/LED za osvjetljenje u frižideru, pozovite ovlaštenu servis.

Lampa (e) koji se koristi u ovom uređaju nije prikladna za kućno osvjetljenje. Cilj ove lampe je da pomogne korisniku da postavi hranu u hladnjak/zamrzivač na siguran i ugodan način. Lampice koje se koriste u ovom uređaju moraju podnositi ekstremne fizičke uslove kao što su temperature ispod -20°C.

## Promjena smjera otvaranja vrata

Postupite prema numerisanom redoslijedu.



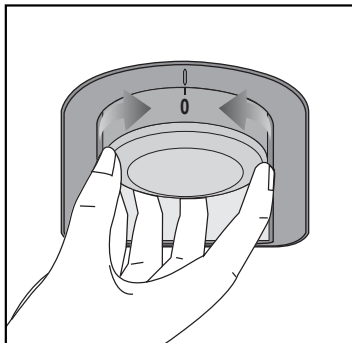
## 4 Priprema

---

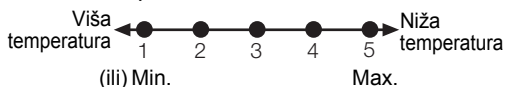
- Vaš frižider bi trebao biti ugrađen najmanje 30 cm udaljen od izvora toplote kao što su ploče za kuhanje, pećnice, centralno grijanje, štednjaci i najmanje 5 cm udaljen od električnih pećnica i ne bi smio biti izložen direktnoj sunčevoj svjetlosti.
- Molimo vas osigurajte da unutrašnjost vašeg frižidera bude temeljito očišćena.
- Temperatura okoline u prostoriji u kojoj ste ugradili vaš frižider bi trebala iznositi najmanje 10°C. Rad vašeg proizvoda u hladnijim uslovima nego što je ovaj nije preporučljiv.
- Ako su dva frižidera smještena jedan pored drugog, mora biti najmanje 2 cm razmaka između jedinica.
- Kada puštate u rad vaš frižider po prvi put, molimo vas pratite sljedeća uputstva tokom inicijalnih šest sati.
- Vrata frižidera se ne bi trebala otvarati učestlo.
- Frižider mora da radi prazan bez ikakve hrane u njemu.
- Ne isključujte frižider. Ukoliko dođe do nestanka struje izvan vaše kontrole, molimo pogledajte upozorenja u dijelu "**Rješavanje problema**".
- Originalno pakovanje i pjenaste materijale bi trebalo čuvati radi budućih transporta ili premiještanja.

## 5 Korištenje vašeg frižidera

### Tipka za podešavanje termostata



Radna temperatura je regulisana pomoću kontrole temperature.



**1 = Najniža postavka hlađenja (najtoplija postavka)**

**5 = Najviša postavka hlađenja (najhladnija postavka)**

(ili)

**Min. = Najniža postavka hlađenja**

(Najtoplija postavka)

**Max. = Najviša postavka hlađenja**

(Najmanja temperatura)

Prosječna temperatura unutar frižiderskog dijela trebala bi iznositi oko +5°C.

Molimo da temperaturu podesite u skladu sa Vašim potrebama.

Molimo vodite računa da će različiti dijelovi hlađenog prostora imati različite temperature.

Najhladniji dio nalazi se neposredno iznad posude za povrće.

Temperatura unutrašnjosti zavisi i od temperature okoline, učestanosti otvaranja vrata i količine hrane koja je smještena u aparat.

Često otvaranje vrata utiče na povišenje unutrašnje temperature.

Radi navedenog, preporučuje se zatvaranje vrata u što kraćem roku nakon upotrebe.

### Korištenje unutrašnjih odjeljaka

**Pokretne police:** Razdaljina između policica se može podesiti po potrebi.

**Ladica za povrće:** Povrće i voće se može pohraniti u ovaj odjeljak tokom dužeg perioda bez truljenja.

**Polica za flaše:** Flaše, tegle i limenke se mogu staviti u ove police.

### Hlađenje

#### Pohranjivanje namirnica

Glavni, frižiderski dio hladnjaka namijenjen je za kratkotrajno čuvanje svježih namirnica i pića.

Flaširani proizvodi mogu se čuvati na policama u vratima hladnjaka.

Sirovo meso treba umotati u najlonske vrećice i čuvati na najdonjoj polici.

Zagrijanu hranu i napitke treba ohladiti prije stavljanja u hladnjak.

Ne ostavljajte eksplozivne materije u hladnjak. Alkohol visoke čistoće, mora se čuvati u uspravnom položaju i u čvrsto zatvorenim posudama.

## Odleđivanje

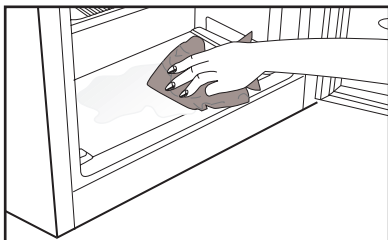
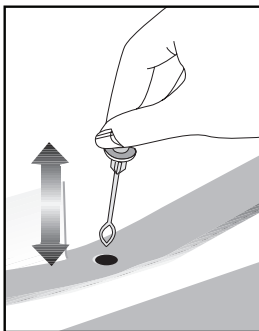
Odjeljak frižidera će izvršiti potpuno automatizovano odmrzavanje.

Dok se vaš frižider hladi, kapljice vode i led debljine do 7-8 mm se mogu pojaviti na unutrašnjem zadnjem zidu odjeljka frižidera.

Takva formacija je normalna kao rezultat rada sistema hlađenja. Formacija leda automatski se odmrzava sa određenim intervalima zahvaljujući sistemu automatskog odmrzavanja zadnjeg zida.

Korisnik ne treba strugati led ili brisati kapljice vode. Voda koja je rezultat odmrzavanja prolazi kroz brazdu za prikupljanje vode i teče u isparivač kroz cijev za odvod i tu sama isparava.

Vršite redovne provjere da vidite da li je cijev za odvod začepljena ili ne i kad je potrebno očistite otvor koristeći štapič.



## Zaustavljanje vašeg proizvoda









Ukoliko postoji pozicija "0" na termostatu:



- Vaš proizvod će prestati s radom kada tipku termostata okrenete u položaj "0" (nula). Vaš proizvod neće se uključiti ukoliko ponovo ne postavite termostat na poziciju "1" ili neku od drugih pozicija različitu od "0".

Ukoliko postoji pozicija "min" na termostatu:

- Isključite vaš proizvod iz utičnice da ga zaustavite.

## 6 Održavanje i čišćenje

-  Nikada nemojte koristiti benzin, benzen ili slične tvari za čišćenje.
-  Mi preporučujemo da isključite uređaj iz utičnice prije čišćenja.
-  Nikada nemojte koristiti bilo kakve oštre abrazivne instrumente, sapun, sredstva za čišćenja koja se koriste u domaćinstvu, deterdžent i vosak za poliranje u svrhe čišćenja.
-  Koristite mlaku vodu da biste očistili kućište vašeg frižidera i posušite ga.
-  Koristite vlažnu krpnu umočenu u rastvor s jednom čajnom kašikom sode bikarbone na pola litre vode da očistite unutrašnjost i posušite je.
-  Osigurajte da voda ne ulazi u kućište lampice i druge električne stavke.
-  Ako vaš frižider ne namjeravate koristiti duži vremenski period, isključite napojni kabal, uklonite namirnice, očistite ga i ostavite vrata odškrinuta.
-  Redovno provjeravajte zaptivače na vratima kako biste osigurali da su čisti i bez ostataka hrane.

-  Da biste uklonili police na vratima, uklonite sav sadržaj i potom jednostavno povucite policu na vratima prema gore iz njenog ležišta.
-  Nikada nemojte koristiti sredstva za čišćenje ili vodu koja sadrži hlor da biste čistili vanjske površine i dijelove proizvoda obložene kromom. Hlor uzrokuje koroziju na takvim metalnim površinama.

### Zaštita plastičnih površina

- Nemojte stavljati tečna ulja ili jela kuhana na ulju u vaš frižider u otvorenim posudama jer to može oštetiti plastične površine frižidera. Ako se ulje prolije ili zamrlja po plastičnim površinama, odmah očistite i isperite odgovarajući dio površine toplom vodom.

## 7 Rješavanje problema

Molimo da, prije nego pozovete servisera, pregledate ovaj popis. To će sačuvati vaše vrijeme i novac. Ovaj popis uključuje česte prigovore koji ne proizlaze iz neispravne izvedbe ili korištenja loših materijala. Neke od osobina koje su opisane ovdje mogu da se ne nalaze u vašem proizvodu.

### Frizider ne radi.

- Utikač nije ispravno priključen u utičnicu. >>>Priključite ispravno utikač u utičnicu.
- Pregorio je osigurač utičnice u koju je priključen vaš frižider ili glavni osigurač. >>>Provjerite osigurač.

### Kondenzacija na bočnom zidu odjeljka frižidera. (MULTI ZONA, KONTROLA HLAĐENJA i FLEXI ZONA).

- Okolina je veoma hladna. >>>Nemojte ugrađivati frižider na mjestima gdje temperatura pada ispod 10°C.
- Vrata su se često otvarala. >>>Nemojte često otvarati i zatvarati vrata frižidera.
- Okolina je veoma vlažna. >>>Nemojte ugrađivati vaš frižider na jako vlažnim mjestima.
- Hrana koja sadrži tečnost je pohranjena u otvorenim posudama. >>>Nemojte pohranjivati hranu koja sadrži tečnost u otvorenim posudama.
- Vrata frižidera su ostavljena odškrinuta. >>>Zatvorite vrata frižidera.
- Termostat je podešen na veoma hladan nivo. >>>Podesite termostat na odgovarajući nivo.

### Kompresor ne radi.

- Termička zaštita kompresora će ispuhivati tokom iznenadnih nestanaka struje ili plug-out plug-inovi kao pritisak u frižideru u rashladnom sistemu frižidera nije još izbalansiran. Frižider će početi s radom otprilike nakon 6 minuta. Molimo pozovite servis ukoliko frižider ne počne raditi na kraju ovoga perioda.
- Frižider je u ciklusu odleđivanja. >>>To je normalno za frižidere s potpuno automatskim odleđivanjem. Ciklus odmrzavanja se ponavlja periodično.
- Frižider nije priključen u utičnicu. >>>Uvjerite se da je utikač priključen ispravno u utičnicu.
- Temperaturne postavke nisu ispravno podešene. >>>Odaberite pogodnu temperaturnu vrijednost.
- Došlo je do nestanka struje. >>>Frižider se vraća u normalan način rada kada struja ponovo dođe.



<b>Buka pri radu se povećava kada frižider radi.</b>
<ul style="list-style-type: none"> <li>• Radne performanse frižidera mogu biti promijenjene zbog promjena temperature okoline. To je normalno i nije greška.</li> </ul>
<b>Frižider radi učestalo ili na neko duže vrijeme.</b>
<ul style="list-style-type: none"> <li>• Novi proizvod može biti širi nego prethodni. Veći frižideri rade duži vremenski period.</li> <li>• Temperatura prostorije može biti visoka. &gt;&gt;&gt;Normalno je da proizvod radi duži period u toploj okolini.</li> <li>• Frižider je možda nedavno priključen ili napunjen namirnicama. &gt;&gt;&gt;Kada je frižider nedavno priključen ili napunjen namirnicama, trebat će više vremena da dostigne podešenu temperaturu. To je normalno.</li> <li>• Velike količine tople hrane su možda nedavno stavljene u frižider. &gt;&gt;&gt;Nemojte stavljati toplu hranu u frižider.</li> <li>• Vrata se možda otvaraju često ili su ostavljena odškrinuta duže vremena. &gt;&gt;&gt;Topal zrak koji je ušao u frižider uzrokuje da frižider radi više vremena. Nemojte često otvarati vrata.</li> <li>• Vrata odjeljka zamrzivača ili frižidera su možda ostavljena odškrinuta. &gt;&gt;&gt;Provjerite da li su vrata dobro zatvorena.</li> <li>• Frižider je podešen na veoma nisku temperaturu. &gt;&gt;&gt;Podesite temperaturu frižidera na topliji stepen i sačekajte dok se data temperatura ne dostigne.</li> <li>• Zaptivač na vratima frižidera ili zamrzivača je možda zaprljan, istrošen, prekinut ili nije pravilno nalegao. &gt;&gt;&gt;Očistite ili zamijenite zaptivač. Oštećeni/slomljeni zaptivači mogu uzrokovati da frižider radi duži period u cilju održanja trenutne temperature.</li> </ul>
<b>Temperatura zamrzivača je veoma niska dok je temperatura cijelog frižidera dovoljno dobra.</b>
<ul style="list-style-type: none"> <li>• Temperatura zamrzivača je podešena na veoma nisku vrijednost. &gt;&gt;&gt;Podesite temperaturu zamrzivača na topliji stepen i provjerite.</li> </ul>
<b>Temperatura frižidera je veoma niska dok je temperatura zamrzivača dovoljna.</b>
<ul style="list-style-type: none"> <li>• Temperatura frižidera je podešena na veoma visoku vrijednost. &gt;&gt;&gt;Podesite temperaturu frižidera na topliji stepen i provjerite.</li> </ul>
<b>Hrana koja se drži u ladicama odjeljka frižidera je zamrznuta.</b>
<ul style="list-style-type: none"> <li>• Temperatura frižidera je podešena na veoma visoku vrijednost. &gt;&gt;&gt;Podesite temperaturu frižidera na nižu vrijednost i provjerite.</li> </ul>

<b>Temperatura frižidera ili zamrzivača je jako visoka.</b>
<ul style="list-style-type: none"> <li>• Temperatura frižidera je podešena na veoma visoku vrijednost. &gt;&gt;&gt;Postavke temperature odjeljka frižidera imaju utjecaja na temperaturu zamrzivača. Promijenite temperature frižidera ili zamrzivača i sačekajte dok odgovarajući odjeljci ne dostignu dovoljnu temperaturu.</li> <li>• Vrata se otvaraju često ili su ostavljena odškrinuta duže vremena. &gt;&gt;&gt;Nemojte često otvarati vrata.</li> <li>• Vrata su odškrinuta. &gt;&gt;&gt;Dobro zatvorite vrata.</li> <li>• Frižider je nedavno priključen ili napunjen namirnicama. &gt;&gt;&gt;To je normalno. Kada je frižider nedavno priključen ili napunjen namirnicama, trebat će više vremena da dostigne podešenu temperaturu.</li> <li>• Velike količine tople hrane su možda nedavno stavljene u frižider. &gt;&gt;&gt;Nemojte stavljati toplu hranu u frižider.</li> </ul>
<b>Vibracije ili buka.</b>
<ul style="list-style-type: none"> <li>• Pod nije ravan ili stabilan. &gt;&gt;&gt; Ako se frižider ljulja kada se lagano pomjeri, podesite ravnotežu pomoću njegovih nožica. Takođe se uvjerite da je pod dovoljno jak da može nositi uređaj, te da je ravan.</li> <li>• Stvari ostavljene na frižideru mogu uzrokovati buku. &gt;&gt;&gt;Uklonite stvari sa frižidera.</li> </ul>
<b>Čuje se buka koja dolazi iz frižidera poput proticanja tečnosti, prskanja i sl.</b>
<ul style="list-style-type: none"> <li>• Proticanje tečnosti i plina se javlja u skladu s radnim principima vašeg frižidera. To je normalno i nije greška.</li> </ul>
<b>Zviždanje se čuje iz frižidera.</b>
<ul style="list-style-type: none"> <li>• Ventilatori se koriste da bi se ohladio frižider. To je normalno i nije greška.</li> </ul>
<b>Kondenz na unutarnjim zidovima frižidera.</b>
<ul style="list-style-type: none"> <li>• Toplo i vlažno vrijeme povećava formiranje leda i kondenzaciju. To je normalno i nije greška.</li> <li>• Vrata se otvaraju često ili su ostavljena odškrinuta duže vremena. &gt;&gt;&gt;Nemojte često otvarati vrata. Zatvorite ih ako su otvorena.</li> <li>• Vrata su odškrinuta. &gt;&gt;&gt;Dobro zatvorite vrata.</li> </ul>
<b>Na vanjskom dijelu frižidera ili između vrata se pojavljuje vlaga.</b>
<ul style="list-style-type: none"> <li>• Možda ima vlage u zraku; to je prilično normalno za vlažno vrijeme. Kada je smanji vlažnost također će nestati i kondenz.</li> </ul>
<b>Neprijatan miris unutar frižidera.</b>
<ul style="list-style-type: none"> <li>• Nije obavljano redovno čišćenje. &gt;&gt;&gt;Čistite redovno unutrašnjost frižidera spužvom, mlakom vodom ili karbonatom rastvornim u vodi.</li> <li>• Neke posude ili materijali za pakovanje mogu uzrokovati neugodan miris. &gt;&gt;&gt;Koristite druge posude ili različite marke materijala za pakovanje.</li> <li>• Hrana je stavljena u frižider u nepokrivenim posudama. &gt;&gt;&gt;Držite hranu u zatvorenim posudama. Mikroorganizmi koji se šire iz nepokrivenih posuda mogu uzrokovati neprijatne mirise.</li> <li>• Uklonite hranu kojoj je istekao rok trajanja i koja je pokvarena van iz frižidera.</li> </ul>
<b>Vrata nisu zatvorena.</b>
<ul style="list-style-type: none"> <li>• Pakovanja hrane sprečavaju zatvaranje vrata. &gt;&gt;&gt;Zamijenite pakovanja koja ometaju vrata.</li> <li>• Frižider nije u potpunosti ravan na podu. &gt;&gt;&gt;Podesite nožice da postavite frižider u ravnotežu.</li> <li>• Pod nije ravan ili jak. &gt;&gt;&gt;Uvjerite se da je pod ravan i u stanju da nosi frižider.</li> </ul>
<b>Namirnice su se zaglavile.</b>
<ul style="list-style-type: none"> <li>• Namirnice dodiruju plafon u ladici. &gt;&gt;&gt;Rasporedite namirnice u ladici.</li> </ul>

## **Ju lutem lexoni këtë manual më parë!**

I nderuar klient,

Shpresojmë që produkti juaj, i cili është prodhuar në fabrika moderne dhe është kontrolluar nën procedurat më të rrepta të kontrollit të cilësisë, do t'ju ofrojë një shërbim të efektshëm.

Prandaj, lexoni të gjithë këtë manual me kujdes para se ta përdorni këtë produkt dhe ruajeni si referencë. Nëse ia dorëzoni produktin dikujt tjetër, jepini gjithashtu edhe këtë manual.

## **Manuali i përdoruesit do t'ju ndihmojë ta përdorni produktin shpejt dhe në mënyrë të sigurt.**


- Lexoni manualin para se të instaloni dhe përdorni produktin.
- Sigurohuni që t'i lexoni udhëzimet e sigurisë.
- Mbajeni manualin në një vend që ta arrini merrni me lehtësi pasi mund t'ju duhet më vonë.
- Lexoni dokumentet e tjera të dhëna me produktin.
- Mos harroni që ky manual përdoruesi vlen gjithashtu edhe për disa modele të tjera.
- Ndryshimet midis modeleve do të tregohen në manual.

## **Shpjegim i simboleve**

**Gjatë këtij manuali përdoruesi janë përdorur simbolet e mëposhtme:**

 Informacione të rëndësishme ose këshilla të dobishme.

 Paralajmërim kundrejt situatave të rrezikshme për jetën dhe pronën.

 Paralajmërim kundrejt tensionit elektrik.



## **PARALAJMËRIM!**

Për të siguruar një përdorim normal të frigoriferit tuaj, që përdor një mjet ftohës plotësisht ekologjik, R600a (i ndezshëm vetëm në kushte të veçanta), duhet të ndiqni rregullat vijuese:

- Mos pengoni qarkullimin e lirë të ajrit përreth aparatit.
- Mos përdorni sende mekanike që nuk janë rekomanduar nga prodhuesi, për ta përshpejtuar shkrirjen e akullit.
- Mos e prishni qarkun ftohës.
- Mos përdorni aparate elektrike të parekomanduara nga prodhuesi brenda dhomëzës për mbajtjen e ushqimeve.

**1 Frigoriferi juaj 3****2 Paralajmërimet të Rëndësishme Sigurie 4**

Përdorimi i synuar .....	4
Siguria e përgjithshme.....	4
Për produktet me dispenser uji .....	5
Siguria për fëmijët .....	5
Pajtueshmëria me Rregulloren WEEE dhe Hedhja e Produkteve Mbeturina.....	6
Informacione për paketimin.....	6
Paralajmërim HCA.....	6
Gjërat që mund të bëhen për kursimin e energjisë.....	6

**3 Instalimi 7**

Pikat të cilave u duhen kushtuar vëmendje kur zhvendosni frigoriferin....	7
Para se ta vini frigoriferin në punë .....	7
Lidhja elektrike .....	7
Hedhja e paketimit.....	7
Hedhja e frigoriferit të vjetër.....	7
Vendosja dhe Instalimi.....	8
Ndërrimi i llambës.....	8
Përmbytur dyert.....	9

**4 Përgatitja 10****5 Përdorimi i frigoriferit Tuaj 11**

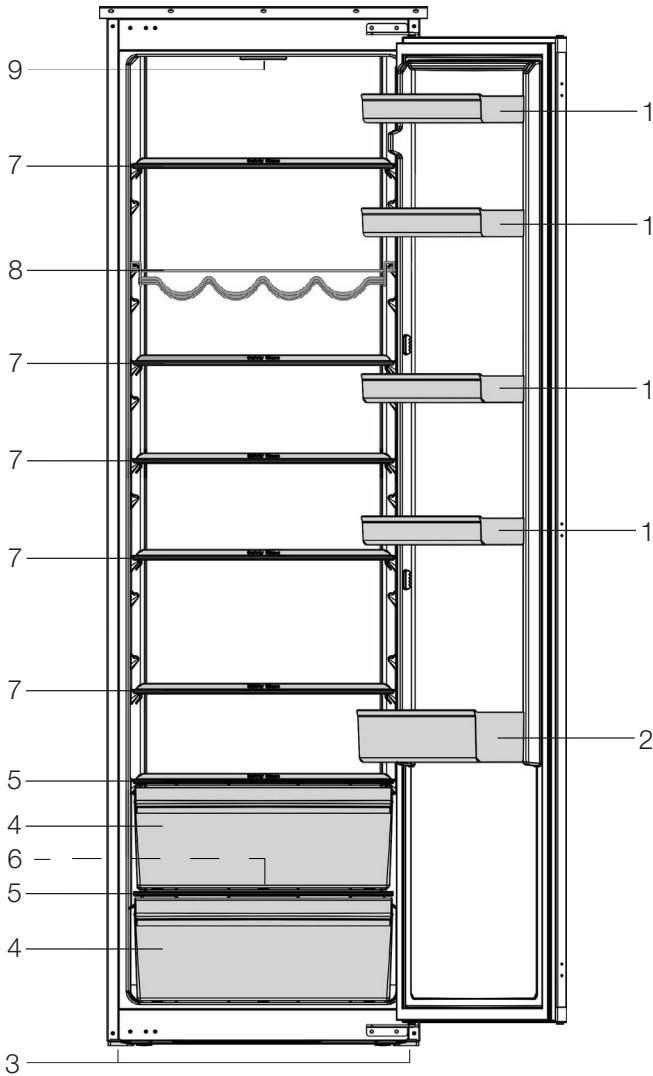
Vendosja e temperaturës të përdorimit .....	11
Përdorimi i ndarjeve të brendshme.....	11
Ftohja.....	11
Shkrirja.....	12
Ndalimi i produktit tuaj.....	12

**6 Mirëmbajtja dhe pastrimi 13**

Mbrojtja e sipërfaqeve plastike.....	13
--------------------------------------	----

**7 Zgjidhja e problemeve 14**

# 1 Frigoriferi juaj



- |                        |   |
|------------------------|---|
| 1. Raftet e derës      | 6. Kanali për mbledhjen e ujit të shkrirë - tubi i shkarkimit |
| 2. Rafti i shisheve    | 7. Raftet e rregullueshme të pjesës kryesore                  |
| 3. Këmbët e para       | 8. Mbështetje për shishet e verës                             |
| 4. Krisperi i sallatës | 9. Drita e brendshme dhe Çelësi i termostatit                 |
| 5. Kapaku i krisperit  |   |

**i** Figurat që ndodhen në këtë manual janë skematike dhe mund të mos korrespondojnë saktësisht me produktin tuaj. Nëse pjesët e subjektit nuk janë përfshirë në produktin që keni blerë, atëherë është vlejnjë për modele të tjera.

## 2 Paralajmërimi të Rëndësishme Sigurie

Ju lutem shikoni informacionet e mëposhtme. Nëse nuk i përmbaheni këtyre informacioneve mund të shkaktohen lëndime ose dëmtime materiale. Përndryshe, të gjitha angazhimet e garancisë dhe besueshmërisë do të bëhen të pavlefshme.

Pjesët origjinale të ndërrimit do të ofrohen për 10 vite, pas datës së blerjes së produktit.

### Përdorimi i synuar

Ky produkt është synuar që të përdoret:

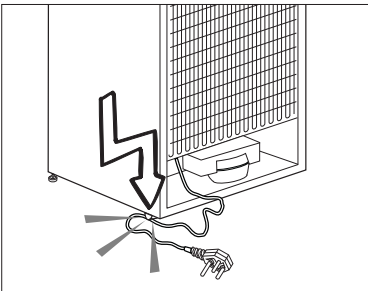
- brenda dhe në ambiente të mbyllura si për shembull në shtëpi;
- në ambiente pune të mbyllura si për shembull dyqane dhe zyra;
- në vende akomodimi të mbyllura si për shembull në shtëpi fermash, hotele, shtëpi me qera.
- Nuk duhet të përdoret jashtë.

### Siguria e përgjithshme

- Kur doni ta hidhni/çoni produktin për skrap, rekomandojmë që të konsultoheni me shërbimin e autorizuar me qëllim që të mësoni informacionet që duhen dhe organet e autorizuar.
- Konsultohuni me shërbimin e autorizuar për të gjitha pyetjet dhe problemet që lidhen me frigoriferin tuaj. Mos ndërhyini ose mos lejoni asnjë që të ndërhyjë në frigorifer pa njoftuar shërbimet e autorizuar.
- Për produktet me një ndarje ngrirësi; Mos hani kone akulloresh dhe kuba akulli menjëherë pasi i keni nxjerrë nga ndarja e ngrirësit! (Kjo mund të shkaktojë kafshim ngrice në gojë.)
- Për produktet me ndarje ngrirësi; Mos vendosni pije në shishe dhe kanaçe në ndarjen e ngrirësit. Përndryshe ato mund të çahen.
- Mos i prekni ushqimet e ngrira me dorë; ato mund t'ju ngjiten në dorë.
- Hiqeni frigoriferin nga priza para se ta pastroni ose shkruini.

- Avulli dhe materialet e pastrimit që avullojnë nuk duhet të përdoren asnjëherë në pastrim dhe proceset e shkrirjes të frigoriferit. Në këto raste, avulli mund të bjerë në kontakt me pjesët elektrike dhe të shkaktojë qark të shkurtër ose goditje elektrike.
- Mos e përdorni asnjëherë si mjet për t'u mbështetur ose si shkallë derën ose pjesët e frigoriferit.
- Mos përdorni pajisje elektrike brenda frigoriferit.
- Mos i dëmtoni pjesët, ku qarkullon lëngu ftohës, me mjete shpimi ose prerjeje. Lëngu ftohës që mund të dalë kur shpohen kanalet e evaporatorit, zgjatimeve të tubit ose shtresave të sipërfaqes shkakton irritime në lëkurë dhe dëmtime në sy.
- Mos i mbulonit ose bllokoni vrimat e ventilimit në frigorifer me asnjë lloj materiali.
- Pajisjet elektrike duhet të riparohen vetëm nga persona të autorizuar. Riparimet e bëra nga persona jo kompetentë krijojnë rreziqe për përdoruesin.
- Në rast të ndonjë defekti ose gjatë një pune mirëmbajtjeje ose riparimi, shkëputeni frigoriferin nga korrenti qoftë duke fikur siguresën përkatëse ose duke e hequr pajisjen nga priza.
- Mos e tërhiqni kabllin kur tërhiqni spinën.
- Vendosni pijet e larta të mbyllura fort dhe në pozicion vertikal.
- Mos vendosni i asnjëherë kanaçe me spërkatje që përmbajnë substanca të djegshme dhe shpërthyes në frigorifer.
- Mos përdorni pajisje mekanike ose mjete të tjera për të përshpejtuar procesin e shkrirjes, përveç atyre të rekomanduara nga prodhuesi.
- Ky produkt nuk është synuar të përdoret nga persona me çrregullime fizike, ndjesore ose mendore apo nga njerëz që nuk janë mësuar ose pa përvojë (përfshirë fëmijët) përveç nëse mbikëqyren nga një person i cili do të jetë përgjegjës për sigurinë e tyre ose që do t'i udhëzojë mirë për përdorimin e produktit.
- Mos e vini në punë një frigorifer të dëmtuar. Konsultohuni me agjentin e shërbimit nëse keni ndonjë merak.

- Siguria elektrike e frigoriferit tuaj do të garantohet vetëm nëse sistemi i tokëzimit në shtëpinë tuaj përputhet me standardet.
- Ekspozimi ndaj shiut, borës, diellit dhe erës është i rrezikshëm në lidhje me sigurinë elektrike.
- Kontaktoni shërbimin e autorizuar kur ka një dëmtim të kabllit të energjisë për të shmangur rrezikun.
- Asnjëherë mos e vini frigoriferin në prizë gjatë instalimit. Përndryshe, mund të shkaktohet vdekje ose lëndime serioze.
- Ky frigorifer është synuar vetëm për të mbajtur ushqime. Nuk duhet të përdoret për asnjë qëllim tjetër.
- Etiketa e të dhënave teknike ndodhet në murin e majtë brenda frigoriferit.
- Asnjëherë mos e lidhni frigoriferin me sistemet e kursimit të energjisë; ato mund ta dëmtojnë frigoriferin.
- Nëse ka një dritë blu mbi frigorifer, mos e shikoni dritën blu me mjete optike.
- Për frigoriferët me kontroll manual, prisni të paktën 5 minuta para se ta vini frigoriferin në punë pas një ndërperje energjie.
- Ky manual përdorimi duhet t'i jepet pronarit të ri të produktit kur i jepet të tjerëve.
- Bëni kujdes të mos e dëmtoni kabllin e energjisë kur transportoni frigoriferin. Përkulja e kabllit mund të shkaktojë zjarr. Mos vendosni objekte të rënda mbi kabllin e energjisë.



- Mos e preni spinën me duar të lagura kur e hiqni produktin nga prizja.
- Mos e vendosni frigoriferin nëse prizja në mur është e lirë.
- Nuk duhet të spërkatet ujë në pjesët e brendshme ose të jashtme të produktit për arsye sigurie.

- Mos spërkatni substanca që përmbajnë gazra të djegshme si për shembull gaz propan pranë frigoriferit për të shmangur rrezikun e zjarrit dhe shpërthimit.
- Mos vendosni asnjëherë enë të mbushura me ujë mbi frigorifer; në rast spërkatjesh kjo mund të shkaktojë goditje elektrike ose zjarr.
- Mos e mbingarkoni frigoriferin me ushqime. Nëse ngarkohet tepër, ushqimet mund të bien dhe t'ju lëndojnë dhe të dëmtojnë frigoriferin kur hapni derën.
- Mos vendosni asnjëherë objekte mbi frigorifer; përndryshe, këto objekte mund të bien kur hapni ose mbyllni derën e frigoriferit.
- Meqenëse kërkojnë një temperaturë shumë të saktë, vaksinat, ilaçet të ndjeshme ndaj nxehtësisë dhe materialet shkencore, etj. nuk duhet të mbahen në frigorifer.
- Nëse nuk do të përdoret për një kohë të gjatë, frigoriferi duhet të hiqet nga prizja. Një problem i mundshëm në kabllin e energjisë mund të shkaktojë zjarr.
- Koka e spinës duhet të pastrohen rregullisht me një leckë të thatë; përndryshe mund të shkaktojë zjarr.
- Frigoriferi mund të lëvizë nëse këmbët e rregullueshme nuk janë siguruar mirë mbi dysheme. Sigurimi mirë i këmbëve të rregullueshme mbi dysheme mund të mos lejojë që frigoriferi të lëvizë.
- Kur lëvizni frigoriferin, mos e kapni nga doreza e derës. Përndryshe, mund të thyhet.
- Kur duhet ta lëvizni produktin pas një frigoriferi ose ngrirësi tjetër, distanca midis pajisjeve duhet të jetë të paktën 8 cm. Përndryshe, muret anësore pranë mund të krijojnë lagështi.

## Për produktet me dispenser uji

- Presioni i linjës të ujit duhet të jetë minimumi 1 bar. Presioni i linjës të ujit duhet të jetë maksimumi 8 bar.
- Përdorni vetëm ujë të pijshëm.

## Siguria për fëmijët

- Nëse dera ka një kyç, çelësi duhet të mbahet larg fëmijëve.
- Fëmijët duhet të mbikëqyren për të mos lejuar që të ngacmojnë produktin.

## Pajtueshmëria me Rregulloren WEEE dhe Hedhja e Produkteve Mbeturina

Ky produkt nuk mbulon materialet e dëmshme dhe të ndaluara të treguara në "Rregullorja për Kontrollin e Mbetjeve të Pajisjeve Elektrike dhe Elektronike" të lëshuar nga T.R. Ministria e Mjedisit dhe Planifikimit të Qytetit. Pajtohet me Rregulloren WEEE.

Ky produkt është prodhuar me pjesë dhe



materialle të cilësisë të lartë të cilat mund të ripërdoren dhe janë të përshtatshme për riciklim. Prandaj, mos e hidhni produktin së bashku me mbeturinat e zakonshme të shtëpisë në fund të jetëgjatësisë së tij. Çojeni në një pikë grumbullimi për riciklimin e pajisjeve elektrike dhe elektronike. Ju lutem konsultohuni me autoritetet lokale për të mësuar pikën më të afërt të grumbullimit. Ndiqmoni në mbrojtjen e mjedisit dhe burimeve natyrore duke i ricikluar produktet e përdorura. Për sigurinë e fëmijëve, priteni kabllin e energjisë dhe thyejeni mekanizmin e kyçjes të derës, nëse ka, kështu do të jetë jo-funksional para se ta hidhni produktin.

## Informacione të paketimit

Materialet e paketimit të produktit janë prodhuar nga materiale të riciklueshme në përputhje me Rregullat Kombëtare për Mjedisin. Mos i hidhni materialet e paketimit së bashku me mbeturinat e tjera ose ato shtëpiake. Çojini në pikat e grumbullimit të materialeve të paketimit të caktuara nga autoritetet lokale.

### Mos harroni...

Çdo substancë e ricikluar është një çështje e domosdoshme për natyrën dhe pasuritë tona kombëtare.

Nëse doni të kontribuoni në ri-vlerësimin e materialeve të paketimit, mund të konsultoheni me organizatat ambientaliste ose komunat ku ndodhëni.

## Paralajmërim HCA Nëse sistemi i ftohjes të produktit tuaj përmban R600a:

Ky gaz është i djegshëm. Prandaj, bëni kujdes të mos dëmtoni sistemin e ftohjes dhe tubacionet gjatë përdorimit dhe transportit. Në rast dëmtimi, mbajeni produktin larg nga substancat e dëmshme të zjarrit të cilat mund të bëjnë që këto produkte të marrin zjarr dhe ajroseni dhomën në të cilën është vendosur njëësia.

## Injoroni këtë paralajmërim nëse sistemi i ftohjes të produktit tuaj përmban R134a.

Loji i gazit i përdorur në produkt është treguar në etiketën e tipit e cila ndodhet në murin e majtë brenda frigoriferit.

Asnjëherë mos e hidhni produktin në zjarr për ta hedhur.

## Gjërat që mund të bëhen për kursimin e energjisë

- Mos i lini dyert e frigoriferit të hapura për një kohë të gjatë.
- Mos vendosni ushqime ose pije të nxehta brenda frigoriferit.
- Mos e mbingarkoni frigoriferin në mënyrë që të mos pengohet qarkullimi i ajrit brenda frigoriferit.
- Mos e instaloni frigoriferin nën dritën direkte të diellit ose pranë pajisjeve që çlirojnë nxehtësi si për shembull furrat, lavastoviljet ose radiatorët. Mbajeni frigoriferin të paktën 30 cm larg burimeve që lëshojnë nxehtësi dhe të paktën 5 cm nga furrat elektrike.
- Bëni kujdes që ta mbani ushqimin në enë të mbyllura.
- Shkrija e ushqimeve në ndarjen e frigoriferit do të sigurojë kursim energjie dhe do të ruajë cilësinë e ushqimit.



⚠ Në rastin se nuk merren parasysh informacionet që janë dhënë në këtë manual përdoruesi, prodhuesi nuk do të mbajë asnjë përgjegjësi për këtë.

#### **Pikat të cilave u duhen kushtuar vëmendje kur zhvendosni frigoriferin**

1. Frigoriferi juaj duhet të hiqet nga priza. Para se të transportoni frigoriferin, duhet të zbrazet dhe të pastrohet.
2. Para se të ripaketohet, raftet, aksesorët, krisperi, etj. brenda frigoriferit duhet të fiksohen me ngjitës dhe të sigurohen nga goditjet. Paketimi duhet të lidhet me një ngjitës të trashë ose litarë të shtrënguar dhe duhet të zbatohen me përpikëri rregullat e transportit mbi paketim.
3. Paketimi dhe materialet e shumës origjinale duhet të ruhen për transport ose lëvizje në të ardhmen.

#### **Para se ta vini frigoriferin në punë**

Kontrolloni të mëposhtmet para se ta vini në punë se përdorni frigoriferin tuaj:

1. Pastrojeni pjesën e brendshme të frigoriferit siç rekomandohet në pjesën "**Mirëmbajtja dhe pastrimi**".
2. Futeni spinën e frigoriferit në prizën në mur. Kur hapet dera e frigoriferit, llamba e brendshme do të ndizet.
3. Kur fillon të punojë kompresori, do të dëgjohet një tingull. Lëngu dhe gazrat e izoluar brenda sistemit të ftohjes mund të krijojnë zhurma, edhe nëse kompresori nuk është në punë dhe kjo është normale.
4. Anët e para të frigoriferit mund të ndihen të ngrohta. Kjo është normale. Këto zona janë bërë posaçërisht që të jenë të ngrohta për të shmangur kondensimin.

#### **Lidhja elektrike**

Lidheni produktin tuaj me një prizë të tokëzuar e cila mbrohet nga një siguresë me kapacitetin e duhur. E rëndësishme:

Lidhja duhet të jetë në përputhje me rregullat kombëtare.

- Spina e korrentit duhet të jetë e arritshme me lehtësi pas instalimit.
- Siguria elektrike e frigoriferit tuaj do të garantohet vetëm nëse sistemi i tokëzimit në shtëpinë tuaj përputhet me standardet.
- Tensioni që tregohet në etiketën që ndodhet në anën e brendshme të produktit tuaj duhet të jetë i njëjtë me tensionin e rrjetit.
- **Nuk duhet të përdoren kablo zgjatimi dhe multi priza për lidhjen.**

⚠ Një dëmtim në kabllin e energjisë duhet të ndërrohet nga një elektricist i kualifikuar.

⚠ Produkti nuk duhet të vihet në punë para se të riparohet! Ekziston rreziku i goditjes elektrike!

#### **Hedhja e paketimit**

Materialet e paketimit mund të jenë të rrezikshme për fëmijët. Mbajini materialet e paketimit larg fëmijëve ose hidhini duke i klasifikuar sipas udhëzimeve për mbeturinat të treguara nga autoritetet vendase. Mos i hidhni së bashku me mbeturinat e zakonshme shtëpiake, hidhini në pikat e caktuara nga autoritetet vendase.

Paketimi i frigoriferit tuaj është prodhuar prej materialesh të riciklueshme.

#### **Hedhja e frigoriferit të vjetër**

Hidheni frigoriferin tuaj të vjetër pa dëmtuar mjedisin.

- Mund të konsultoheni me shitësin e autorizuar ose qendrën e grumbullimit të mbeturinave të bashkisë tuaj për hedhjen e frigoriferit.

Para se ta hidhni frigoriferin, priteni spinën elektrike dhe, nëse ka ndonjë kyç në derë, bëjini të papërdorshme me qëllim që të mbronin fëmijët nga ndonjë rrezik.

## Vendosja dhe Instalimi

△ Nëse dera e hyrjes të dhomës ku do të instalohet frigoriferi nuk është e gjerë mjaftueshëm që të kalojë frigoriferi, atëherë thërrisni shërbimin e autorizuar që ata të heqin dyert e frigoriferit dhe kalojeni anash përmes derës.

1. Montojeni frigoriferin në një vend që përdoret me lehtësi.
2. Mbajeni frigoriferin larg burimeve të nxehtësisë, vendeve të lagështa dhe dritës direkte të diellit.
3. Duhet të ketë ventilim të mjaftueshëm me qëllim që frigoriferi të punojë me efektshmëri. Nëse frigoriferi do të vendoset në një pjesë të futur në mur, duhet të ketë një distancë të paktën 5 cm nga tavani dhe të paktën 5 cm nga muri. Mos e vendosni produktin tuaj mbi materiale si për shembull tapet ose qilim.
4. Vendoseni frigoriferin mbi një sipërfaqe të sheshtë për të parandaluar lëkundjet.

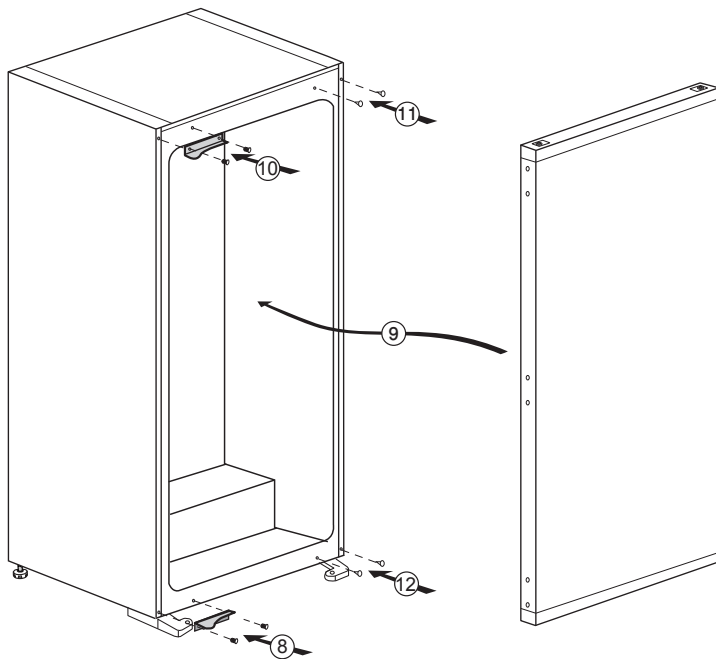
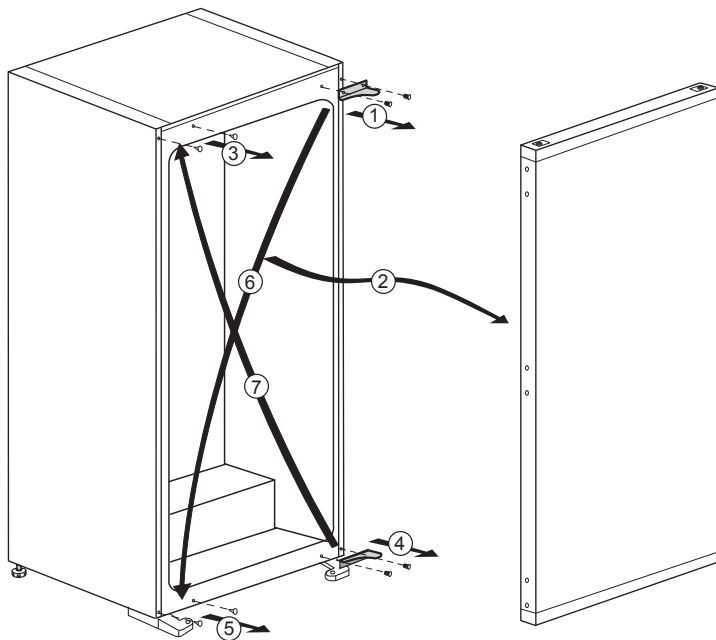
## Ndërrimi i llambës së brendshme

Për të ndërruar llambën/dritën LED që përdoret për ndriçimin e frigoriferit, telefononi Shërbimin e autorizuar.

Llamba(t) e përdorur në këtë pajisje nuk është e përshtatshme për ndriçimin e dhomave të shtëpisë. Qëllimi i kësaj llambe është të ndihmojë përdoruesin të vendosë ushqime në frigorifer/ngjirës në një mënyrë të sigurt dhe të lehtë. Llambat e përdorura në këtë pajisje duhet t'i rezistojnë kushteve fizike ekstreme si temperaturat nën  $-20^{\circ}\text{C}$ .

## Përmbysur dyert

Të vazhdojë në mënyrë numerike.



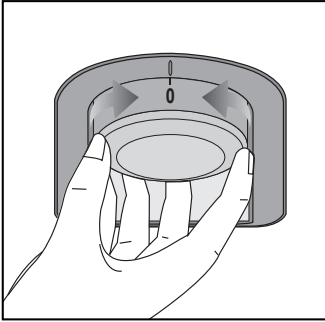
## 4 Përgatitja

---

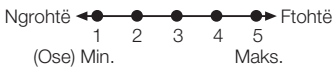
- Frigoriferi juaj duhet të montohet të paktën 30 cm larg burimeve të nxehtësisë si sobat, furrat, ngrohjet qendrore dhe stofat dhe të paktën 5 cm larg nga furrat elektrike dhe nuk duhet të vendoset nën dritën direkte të diellit.
- Ju lutem sigurohuni që pjesa e brendshme e frigorifeirt të pastrohet plotësisht.
- Nëse do të montohen dy pajisje ftohjeje njëri pas tjetrit, duhet të ketë një distancë të paktën 2 cm midis tyre.
- Kur e vini frigoriferin në punë për herë të parë, ju lutem përmbajuni udhëzimeve të mëposhtme gjatë gjashtë orëve të para.
- Dera e tij nuk duhet të hapet shpesh.
- Duhet të vihet në punë bosh pa vendosur ushqime në të.
- Mos e hiqni frigoriferin nga priza. Nëse ndodh një ndërprerje energjie që nuk e keni ju në dorë, ju lutem shikoni paralajmërimet në pjesën “Zgjidhja e problemeve”.
- Ky produkt është ndërtuar që të funksionojë në temperatura ambienti deri në 43°C (109°F).

## 5 Përdorimi i frigoriferit/ngriferit

### Vendosja e temperaturës të përdorimit.



Temperatura e përdorimit rregullohet nga kontrolli i temperaturës.



**1 = Vendosja e temperaturës më të ulët (Konfigurimi më i ulët)**

**5 = Vendosja e temperaturës më të lartë (Konfigurimi më i lartë)**  
(Ose)

**Min. = Vendosja e ftohjes më të ulët**  
(Konfigurimi më i ngrohtë)

**Max. = Konfigurimi më i ftohtë**  
(Konfigurimi më i ftohtë)

Temperatura mesatare brenda frigoriferit duhet të jetë afërsisht +5°C.

Ju lutem zgjidhni konfigurimin sipas temperaturës të dëshiruar.

Ju lutem vini re se do të ketë ndryshime temperature në zonën e ftohjes.

Vendi më i ftohtë është menjëherë sipër vendit të perimeve.

Temperatura e brendshme varet gjithashtu nga temperatura e ambientit, shpeshësia me të cilën hapet dera dhe sasia e ushqimeve që mbahet brenda.

Shpeshësia e hapjes të derës bën që temperatura e brendshme të rritet.

Për këtë arsye, rekomandohet që ta mbyllni derën menjëherë pasi përdorimit.

### Përdorimi i ndarjeve të brendshme

**Raftet e trupit:** Distanca midis rafteve mund të rregullohet kur është e nevojshme.

**Krisperi:** Perimet dhe frutat mund të mbahen në këtë ndarje për periudha të gjata pa u prishur.

**Rafti i shisheve:** Shishet, kavanozët dhe kanaçet mund të vendosen në këto rafte.

### Ftohja

#### Ruajtja e ushqimeve

Ndarja e frigoriferit është për ruajtjen afat-shkurtër të ushqimeve dhe pijeve të freskëta.

Mbani produktet e qumështit në ndarjen e posaçme në frigorifer/ngrifer.

Shishet mund të mbahen në mbajtësen e shisheve ose në raftin e shisheve të derës.

Mishi i pagatuar mbahet më së miri në qese polietilieni në ndarjen në fund fare të frigoriferit/ngriferit.

Lërimi ushqimet dhe pijet e nxehta të ftohen në temperaturë ambiente para se t'i vendosni në frigorifer/ngrifer.

#### • Kujdes

Mbani alkoolet e përgendruara vetëm në këmbë dhe të mbyllur fort.

#### • Kujdes

Mos mbani substanca ose enë shpërthyes me gazra të djegshëm (krem në kanaçe, kanaçe spërkatëse, etj.) në pajisje. Ka rrezik shpërthimi.

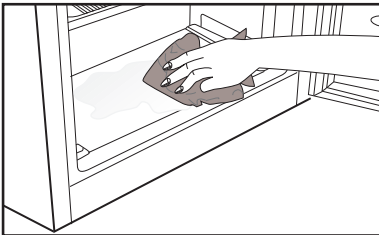
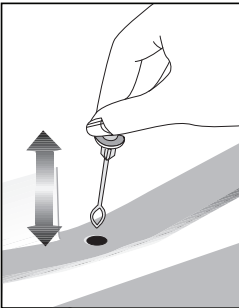
## Shkrirja

Frigoriferi depo shkrihet automatikisht. Uji i shkrirjes kalon në tubin e shkarkimit përmes një kanali grumbullimi dhe avullohet në një enë të veçantë në pjesën e pasme të pajisjes.

Gjatë shkrirjes mund të formohen pika uji në pjesën e pasme të frigoriferit depo ku ndodhet evaporatori i mbyllur. Disa pika uji mund të mbeten në vizues dhe të ngrijnë përsëri kur mbaron shkrirja. Mos përdorni objekte me majë ose të mprehta si thika ose pirunë për të hequr pikat që kanë ngjirë.

Nëse, në çfarëdo momenti, uji i shkrirjes nuk zbrazet nga kanali i grumbullimit, kontrolloni që tubi i shkarkimit të mos jetë bllokuar me grimca ushqimi. Tubi i shkarkimit mund të pastrohet duke shtyrë plunzherin special plastik të dhënë poshtë tubit të shkarkimit.

Kontrolloni që tubi të jetë vendosur mirë me fundin e tij në tabakanë e grumbullimit mbi kompresor për të mos lejuar spërkatjet e ujit mbi instalimet elektrike ose në dysheme.



## Ndalimi i produktit tuaj

Nëse termostati është i pajisur me pozicionin "0":

- Produkti juaj do të ndalojë së punuari kur e çoni termostatin në pozicionin "0" (zero). Produkti juaj nuk do të ndizet derisa ta çoni në pozicionin "1" ose në një nga pozicionet e tjera përsëri.

Nëse termostati është i pajisur me pozicionin "min":

- Hiqeni produktin nga priza për ta ndaluar.

## 6 Mirëmbajtja dhe pastrimi

- ⚠** Mos përdorni asnjëherë benzinë, benzen ose substanca të ngjashme për të pastruar.
- ⚠** Rekomandojmë që ta hiqni pajisjen nga priza para se ta pastroni.
- ⚠** Mos përdorni asnjëherë mjete të mprehta, sapun, pastrues shtëpiak, detergjent dhe dyll lustrues për pastrim.
- i** Përdorni ujë të ngrohtë për të pastruar kabinën e frigoriferit dhe thajeni me leckë.
- i** Përdorni një leckë të njomë të shtrydhur në një solucion me një lugë çaji bikarbonat sode në një pintë uji për të pastruar pjesën e brendshme dhe thajeni me leckë.
- ⚠** Sigurohuni që të mos hyjë ujë në kasën e llambës dhe në pjesët e tjera elektrike.
- ⚠** Nëse frigoriferi juaj nuk do të përdoret për një kohë të gjatë, hiqeni kabllin e korrentit, hiqni të gjitha ushqimet, pastrojeni dhe lëreni derën pak të hapur.
- i** Kontrolloni gominat e derës rregullisht për t'u siguruar që të jenë të pastra dhe pa mbeturina ushqimesh.
- ⚠** Për të hequr raftet e derës, hiqni të gjitha gjërat në to dhe thjesht shtyjeni raftin e derës lart nga baza.
- ⚠** Mos përdorni asnjëherë agentë pastrimi ose ujë që përmban klor për të pastruar sipërfaqet e jashtme dhe pjesët e ljer me krom të produktit. Klorigjaktë shkaktonte gjërryerje mbi sipërfaqet metalike.

### Mbrojtja e sipërfaqeve plastike

- i** Mos vendosni vajra të lëngshme ose ushqime të gatuar me vaj në frigorifer në enë të pambyllura pasi ato mund të dëmtojnë sipërfaqet plastike të frigoriferit tuaj. Në rast të spërkatjes ose derdhjes të vajit mbi sipërfaqet plastike, pastrojeni dhe shpëlajeni pjesën përkatëse të sipërfaqes menjëherë me ujë të ngrohtë.

## 7 Zgjidhja e problemeve

Ju lutem shikoni këtë listë para se të thërrisni shërbimin. Do t'ju kursejë kohë dhe para. Kjo listë përmban ankesat e shpeshta që nuk lindin nga defektet e prodhimit ose përdorimi i materialeve. Disa nga karakteristikat të përshkruar këtu mundësisht nuk.

### **Frigoriferi nuk punon.**

- Spina nuk është futur mirë në prizë. >>>Vendoseni spinën mirë në prizë.
- Siguresa e prizës në të cilën është lidhur frigoriferi juaj ose siguresakryesore mund të kenë rënë. >>>Kontrolloni siguresën.

### **Kondensim në muret anësore të ndarjes të frigoriferit (MULTIZONE, COOL CONTROL dhe FLEXI ZONE).**

- Ambienti është shumë i ftohtë. >>>Mos e montoni frigoriferin në vende ku temperatura bie nën 10°C.
- Dera është hapur shpesh. >>>Mos e hapni dhe mbyllni derën e frigoriferit shpesh.
- Ambienti është shumë i lagësht. >>>Mos e instaloni frigoriferin në vende me shumë lagështi.
- Ushqime që kanë lëngje janë vendosur në enë të hapura. >>>Mos e vendosni ushqimin me përmbajtje të lëngshme në enë të hapura.
- Dera e frigoriferit është lënë pakhapur. >>>Mbylleni derën e frigoriferit.
- Termos tati është vendosur në një nivel shumë të ftohtë. >>>Vendoseni termostatit në një nivel të përshtatshëm.

### **Kompresori nuk punon.**

- Mbrojtja termike e kompresorit do të fryhet gjatë ndërprerjeve të papritura të energjisë ose heqjes dhe vënies në prizë pasi presioni i lëngut ftohës në sistemin e ftohjes të frigoriferit nuk është balancuar akoma. Frigoriferi do të fillojë të punojë për rreth 6 minuta. Ju lutem thërrisni shërbimin nëse frigoriferi nuk ndizet në fund të kësaj periudhe.
- Frigoriferi është në cikël të shkërretës. >>>Kjo është normale për një shkërretje të plotë automatike të frigoriferit. Cikli i shkërretës ndodh rregullisht.
- Frigoriferi nuk është futur në prizë. >>>Sigurohuni që spina është futur në prizë.
- Parametrat e temperaturës nuk janë bërë mirë. >>>Zgjidhni vlerën e duhur të temperaturës.
- Ka një ndërprerje energjie. >>>Frigoriferi kthehet në punimin normal kur kthehet energjia.

### **Zhurma e punimit rritet kur frigoriferi është në punë.**

- Performanca e punimit të frigoriferit mund të ndryshojë për shkak të ndryshimeve në temperaturën e ambientit. Kjo është normale dhe nuk është.



### **Frigoriferi punon shpesh për një kohë të gjatë.**

- Produkti i ri mund të jetë më i gjerë se ai i mëparshmi. Frigoriferët më të mëdhenj punojnë për një kohë më të gjatë.
- Temperatura e dhomës mund të jetë e lartë. >>> Është normale që produkti të punojë për periudha më të gjata në ambient të ngrohtë.
- Frigoriferi mund të jetë vënë në prizë së fundi ose mund të jetë i mbushur me ushqime. >>> Kur frigoriferi vihet në prizë ose është mbushur së fundi me ushqime, do të kërkojë më shumë kohë që të arrijë temperaturën e caktuar. Kjo është normale.
- Sasi të mëdha ushqimesh të nxehta mund të jenë vendosur në frigorifer së fundi. >>> Mos vendosni ushqime të nxehta në frigorifer.
- Dyert mund të hapen shpesh ose të lihen pak hapur për një kohë të gjatë. >>> Ajri i ngrohtë që ka hyrë në frigorifer bën që frigoriferi të punojë për periudha më të gjata. Mos i hapni dyert shpesh.
- Dera e ndarjes të frigoriferit osengririt mund të jetë lënë pak hapur. >>> Kontrolloni nëse dyert janë mbyllur plotësisht.
- Frigoriferi është rregulluar në një temperaturë shumë të ulët. >>> Rregulloni temperaturën e frigoriferit në një gradë më të ngrohtë dhe prisni derisa të arrihet temperatura.
- Gomina e derës të frigoriferit osengririt mund të jetë ndotur, konsumuar, çarë ose të mos jetë izoluar mirë. >>> Pastroni ose ndërtoni gominën. Gominat e dëmtuara/çara bëjnë që frigoriferi të punojë më gjatë për të ruajtur temperaturën aktuale.

### **Temperatura e ngrirësit është shumë e ulët ndërsa temperatura e frigoriferit është e mjaftueshme.**

- Temperatura e ngrirësit është rregulluar në një vlerë shumë të ulët. >>> Rregulloni temperaturën e ngrirësit në një gradë më të ngrohtë dhe kontrolloni.

### **Temperatura e frigoriferit është shumë e ulët ndërsa temperatura e ngrirësit është e mjaftueshme.**

- Temperatura e frigoriferit është rregulluar në një vlerë shumë të lartë. >>> Rregulloni temperaturën e frigoriferit në një vlerë më të ulët dhe kontrolloni.

### **Ushqimet që mbahen në sirtarët e ndarjes të frigoriferit kanë ngrirë.**

- Temperatura e frigoriferit është rregulluar në një vlerë shumë të lartë. >>> Rregulloni temperaturën e frigoriferit në një vlerë më të ulët dhe kontrolloni.

### **Temperatura në frigorifer ose ngrirës është shumë e lartë.**

- Temperatura e frigoriferit është rregulluar në një vlerë shumë të lartë. >>> Konfigurimi i temperaturës të ndarjes të frigoriferit ka një efekt në temperaturën e ngrirësit. Ndryshoni temperaturat e frigoriferit ose ngrirësit dhe prisni derisa ndarjet përkatëse të arrijnë temperaturën e mjaftueshme.
- Dyert hapen shpesh ose janë lënë hapur për një kohë të gjatë. >>> Mos i hapni dyert shpesh.
- Dera është pak hapur. >>> Mbylleni derën plotësisht.
- Frigoriferi është vënë në prizë ose është mbushur me ushqime së fundi. >>> Kjo është normale. Kur frigoriferi vihet në prizë ose është mbushur së fundi me ushqime, do të kërkojë më shumë kohë që të arrijë temperaturën e caktuar.
- Sasi të mëdha ushqimesh të nxehta mund të jenë vendosur në frigorifer së fundi. >>> Mos vendosni ushqime të nxehta në frigorifer.

<b>Dridhje ose zhurmë.</b>
<ul style="list-style-type: none"> <li>• Dyshemeja nuk është në nivel ose është e paqëndrueshme. &gt;&gt;&gt; Nëse frigoriferi tundet kur lëvizet ngadalë, balancojeni duke i rregulluar këmbët. Gjithashtu sigurohuni që dyshemeja të jetë e fortë mjaft për të mbajtur frigoriferin, dhe të jetë në nivel.</li> <li>• Sendet që vendosni në frigorifer mund të shkaktojnë zhurmë. &gt;&gt;&gt;Hiqni sendet që janë sipër frigoriferit.</li> </ul>
<b>Ka zhurma që vijnë nga frigoriferi si për shembull rrjedhje lëngjesh.</b>
<ul style="list-style-type: none"> <li>• Rrjedha e lëngut dhe gazit është sipas parimeve të punimit të frigoriferit tuaj. Kjo është normale dhe nuk është defekt.</li> </ul>
<b>Bilbil vjen nga frigoriferi.</b>
<ul style="list-style-type: none"> <li>• Përdoren ventilatorë për të ftohur frigoriferin. Kjo është normale dhe nuk është defekt.</li> </ul>
<b>Kondensim në muret e brendshme të frigoriferit.</b>
<ul style="list-style-type: none"> <li>• Moti i ngrohtë dhe i lagësht rrit akullin dhe kondensimin. Kjo është normale dhe nuk është defekt.</li> <li>• Dyert hapen shpesh ose janë lënë hapur për një kohë të gjatë. &gt;&gt;&gt;Mos i hapni dyert shpesh. Mbyllini nëse janë hapur.</li> <li>• Dera është pak hapur. &gt;&gt;&gt;Mbylleni derën plotësisht.</li> </ul>
<b>Ndodh lagështi nga jashtë frigoriferit ose midis dyerve.</b>
<ul style="list-style-type: none"> <li>• Mund të ketë lagështi në ajër; kjo është normale në mot me lagështi. Kur lagështia është më e ulët, do të shfaqet kondensimi.</li> </ul>
<b>Erë e keqe brenda frigoriferit.</b>
<ul style="list-style-type: none"> <li>• Nuk është bërë pastrimi rregullisht. &gt;&gt;&gt;Pastronijpjesën e brendshme të frigoriferit rregullisht me një sfungjer, ujë të ngrohtë ose karbonat të tretur në ujë.</li> <li>• Disa enë ose materiale paketimi mund të shkaktojnë erë. &gt;&gt;&gt;Përdorni enë të tjera ose materiale paketimi të një marke tjetër.</li> <li>• Ushqimi vendoset në frigorifer në enë të pambuluara.&gt;&gt;&gt;Mbajeni ushqimin në enë të mbyllura. Mikroorganizmat që përhapen nga enët e pambuluara mund të shkaktojnë erëra të pakëndshme.</li> <li>• Hiqni ushqimet që u ka kaluar data eskadencës dhe që janë prishur nga frigoriferi.</li> </ul>
<b>Dera nuk mbyllet.</b>
<ul style="list-style-type: none"> <li>• Paketimet e ushqimeve nuk lejojnë dërrerën të mbyllet. &gt;&gt;&gt;Lëvizni paketimet që pengojnë derën.</li> <li>• Frigoriferi nuk është plotësisht sheshmbi dysheme.&gt;&gt;&gt;Rregulloni këmbët për të balancuar frigoriferin.</li> <li>• Dyshemeja nuk është në nivel ose nuk është e fortë. &gt;&gt;&gt;Sigurohuni që dyshemeja është në nivel dhe është në gjendje të mbajë frigoriferin.</li> </ul>
<b>Krisperët kanë ngecur.</b>
<ul style="list-style-type: none"> <li>• Ushqimi prek tavanin e sirtarit. &gt;&gt;&gt;Rivendosni ushqimet në sirtar.</li> </ul>

## Прочитајте го ова упатство прво!

Почитуван кориснику,

Се надеваме дека овој производ којшто е произведен во модерна фабрика и проверен според многу прецизни процедури за проверка на квалитетот, ќе ви овозможи ефективна услуга.




Затоа, препорачуваме внимателно да го прочитате целото упатство за производот пред употреба и да го чувате при рака за идни осврти.

### Ова упатство

- Ќе ви помогне да го користите апаратот на брз и безбеден начин.
- Прочитајте го упатството пред да го поставите и вклучите производот.
- Следете ги упатствата, особено оние за безбедноста.
- Чувајте го упатството на лесно достапно место зашто може да ви притреба подоцна.
- Покрај тоа, прочитајте ги и другите документи што се доставуваат со производот.
- Имајте предвид дека ова упатство важи и за други модели.

### Симболи и нивно значење

Ова упатство со инструкции ги содржи следниве симболи:

-  Важни информации или корисни совети за употреба.
-  Предупредувања за опасни состојби по животот и имотот.
-  Предупредување за електричниот напон.



### **ПРЕДУПРЕДУВАЊЕ!**

Со цел да се обезбеди нормално функционирање на уредот, кој користи целосно еколошки разладувач (фреон) R 600a (запалив само под одредени услови), морате да се придржувате кон следните правила:

- Немојте да ја попречувате слободната циркулација на воздухот околу уредот.
- Немојте да употребувате механички предмети за да го забрзате процесот на одмрзнување. Користете ги само оние кои се препорачани од производителот.
- Немојте да го оштетувате разладното коло.
- Не употребувајте електрични апарати внатре во уредот. Користете ги само оние кои се препорачани од производителот.

## СОДРЖИНА

---

### **1 Вашиот ладилник 3**

### **2 Важни безбедносни предупредувања 4**

Наменета употреба .....	4
Општа безбедност .....	4
Кај производи со диспензер за вода..	6
Безбедност за деца .....	6
Усогласување со Директивата за фрлање на електронска и електрична опрема и за одлагање на отпадот..	6
Усогласување со Директивата за ограничување на опасните материји:.....	7
Информации за пакувањето .....	7
НСА-Предупредување.....	7
Работи што треба да ги направите за штедење енергија .....	7

### **3 Поставување 8**

Работи што треба да се имаат во предвид кога го транспортирате ладилникот .....	8
Пред вклучување на ладилникот...	8
Електрично поврзување .....	8
Фрлање на пакувањето .....	8
Фрлање на стариот ладилник .....	9
Поставување и поврзување .....	9
Замена на внатрешната светилка за осветлување .....	9
Преместување на вратите .....	10

### **4 Подготовка 11**

### **5 Употреба на ладилникот 12**

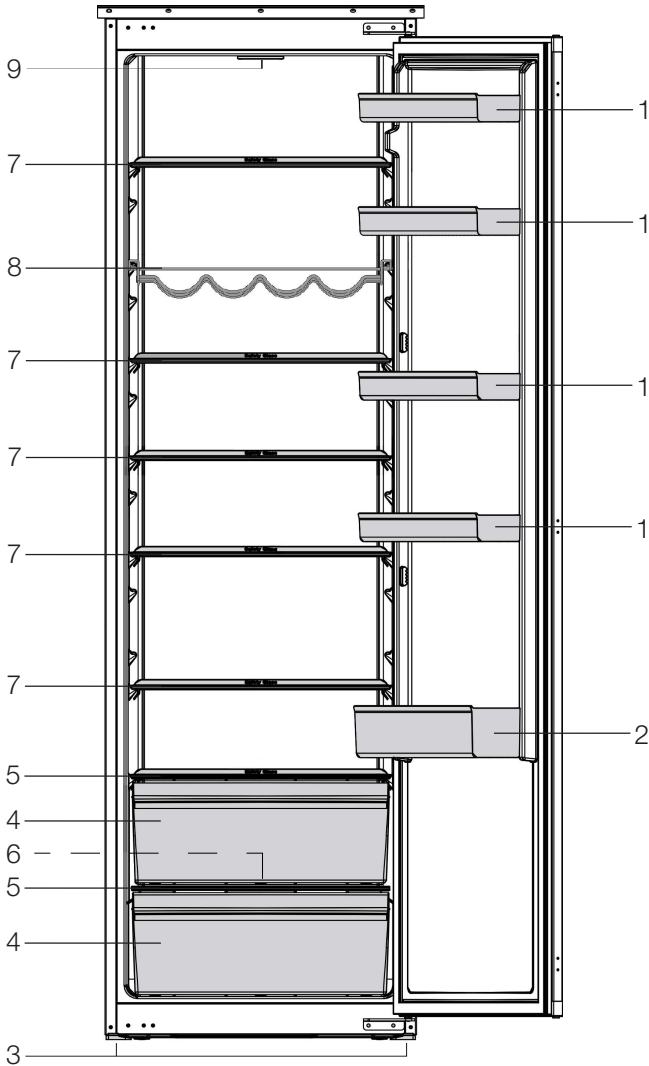
Копче за поставување на термостатот .....	12
Користење на внатрешните оддели..	12
Ладење .....	12
Одмрзнување .....	13
Исклучување на производот.....	13

### **6 Одржување и чистење 14**

Заштита на пластичните површини .....	14
---------------------------------------	----

### **7 Препорачани решенија за проблемите 15**

# 1 Вашиот ладилник



1. Полицы на вратата
2. Полица за шишиња
3. Предни ногарки
4. Фиока за салата
5. Капак на фиоката

6. Канал за собирање на одмрзнатата вода – цевка за испуштање
7. Полицы во одделот на ладилникот
8. Потпора за шишиња со вино
9. Поставување на регулаторот и на внатрешното осветлување

**i** Сликите што се прикажани во ова упатство за употреба се шематски и може да не соодветствуваат точно со производот. Ако деловите од поглавјето не се вклучени во производот што сте го купиле, тогаш тие важат за други модели.

## 2 Важни безбедносни предупредувања

Прочитајте ги следните информации. Непочитувањето на овие информации може да предизвика повреда или материјална штета. И гаранцијата и заложбите за доверливост нема да бидат важечки.

Оригиналните резервни делови ќе ги добивате 10 години по датумот кога е набавен производот.

### Наменета употреба

Овој производ е наменет да се користи:

- во затворени простории како што се домови,
- во затворени работни средини како што се продавници и канцеларии,
- во затворени простории за сместување како што се објекти на селскиот туризам, хотели, пансиони.
- Овој производ не смее да се користи на отворено.

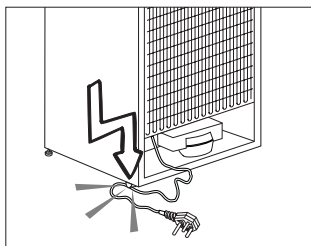
### Општа безбедност

- Ви препорачуваме да се консултирате со локалниот авторизиран сервис и со овластените институции за да ги добиете неопходните информации кога ќе сакате да го фрлите / одложите производот.
- Консултирајте се со овластен сервис за сите прашања и проблеми поврзани со ладилникот. Не интервенирајте ниту не пуштајте друг да интервенира на ладилникот без да го известите овластениот сервисер.
- За производите од одделот на замрзнувачот. Не јадејте сладолед во корнет или коцки мраз веднаш по вадење од одделот за замрзнување! (Може да предизвикате смрзнатини на устата.)

- За производите во одделот на замрзнувачот - Не ставајте пијалаци во шише или конзерва во одделот на замрзнувачот. Инаку, тие може да пукнат.
- Не допирајте ја замрзната храна со рака, може да ви се залепи за раката.
- Исклучете го ладилникот од струја пред чистење или одмрзнување.
- Испарувачи и материјали за чистење што испаруваат не смее никогаш да се користат за чистење и за процесот на одмрзнување на ладилникот. Во тие случаи, испарувањето може да дојде во контакт со електричните делови и да предизвика краток спој или електричен удар.
- Никогаш не користете делови од ладилникот како што е вратата за потпора или расчекор.
- Не користете електрични уреди во внатрешноста на ладилникот.
- Не оштетувајте ги деловите каде што циркулира фреонот со дупчалки или алатки за сечење. Фреонот може да прсне и може да предизвика иритација на кожата и повреда на очите кога ќе се дупнат каналите за испарувањата, продолжетоците на цевките или површинските премази.
- Не покривајте ги или не блокирајте ги отворите за вентилација на ладилникот со каков било материјал.
- Електричните делови мора да ги поправи само овластено лице. Поправките што ги извршиле некомпетентни лица може да предизвикаат ризик за корисникот.
- Во случај на грешка при работа или во текот на одржување или поправка, исклучете го ладилникот од довод на ел. енергија со тоа што ќе го извадите соодветниот осигурувач или ќе го извлечете кабелот.
- Не влечете го кабелот кога го вадите приклучокот.

- Поставете ги пијалаците со повисоки затворувачи вертикално и убаво затворени.
- Никогаш не чувајте конзерви под притисок што содржат запаливи и експлозивни супстанции во ладилникот.
- Не користете механички уреди или други средства за забрзување на процесот на одмрзнување, освен оние што ги препорачува производителот.
- Овој производ не е наменет да го користат лица со намалени физички, сетилни или ментални способности или необучени или неискусни лица (вклучително и деца), освен ако не се под надзор на лице кое е одговорно за нивната безбедност или кое ќе ги научи како да го користат производот правилно.
- Не вклучувајте оштетен ладилник. Консултирајте се со сервисер ако се сомневате на дефект.
- Електричната безбедност на ладилникот е гарантирана само кога системот за заземјување во домот е усогласен со стандардите.
- Изложување на производот на дожд, снег, сонце и ветер е опасно во однос на електричната безбедност.
- Контакттирајте овластен сервисер кога е оштетен кабелот за струја за да избегнете опасност.
- Никогаш не вклучувајте го ладилникот на сиден приклучок за време на поставувањето. Инаку, може да има ризик од смрт или сериозна повреда.
- Овој ладилник е наменет само за чување на храна. Не смее да се користи за други намени.
- Етикетата со техничките спецификации се наоѓа на левиот сид во ладилникот.
- Никогаш не поврзувајте го ладилникот за системи за штедење струја. Може да го оштетат ладилникот.

- Ако има сина светилка на ладилникот, не гледајте во неа со оптички уреди.
- Почekaјте најмалку 5 минути за да го вклучите ладилникот откако снемало струја кај ладилниците што се контролираат рачно.
- Ова упатство за работа треба да се предаде на новиот сопственик на производот ако го дадете на други.
- Избегнувајте да предизвикувате оштетувања на кабелот за напојување кога го транспортирате ладилникот. Превитканиот кабел може да предизвика пожар. Никогаш не ставајте тешки предмети врз кабелот за струја. Не допирајте го приклучокот со мокри раце кога го приклучувате производот.



- Не приклучувајте го ладилникот ако штекерот е разлабавен.
- Вода не смее да се прска директно на внатрешните и надворешните делови на производот од безбедносни причини.
- Не прскајте разни средства што содржат запаливи гасови како што е пропанот близу до ладилникот за да избегнете ризик од пожар и експлозија.
- Никогаш не ставајте садови со вода врз ладилникот. Во спротивно, може да предизвикаат електричен удар или пожар.
- Не преполнувајте го ладилникот со прекумерна количина храна. Ако го преполните, храната може да падне и да ве повреди и да го оштети ладилникот кога ја отворате вратата.

Никогаш не ставајте предмети врз ладилникот. Во спротивно, овие предмети може да паднат кога ја отворате или затворате вратата на ладилникот.

- Вакцините, лековите што се осетливи на топлина, истражувачките материјали и слично не смее да се чуваат во ладилникот бидејќи бараат прецизна температура.
- Ладилникот треба да се исклучи од струја ако не се користи долго време. Можен проблем со кабелот може да предизвика пожар.
- Клемите на приклучокот треба да се чистат редовно. Во спротивно, може да предизвикаат пожар.
- Клемите на приклучокот треба да се чистат редовно со сува крпа. Во спротивно, може да предизвикаат пожар.
- Ладилникот може да се мрда ако прилагодливите ногарки не се правилно поставени на подот. Ладилникот нема да се мрда со правилно обезбедување на прилагодливите ногарки на подот.
- Не држете го ладилникот за рачката на вратата кога го транспортирате. Во спротивно, може да се скрши.
- Кога треба да го поставите производот до друг ладилник или замрзнувач, растојанието меѓу нив треба да биде најмалку 8 цм. Во спротивно, соседните сидови може да фатат влага.

## Кај производи со диспензер за вода

- Притисокот на доводот на водата мора да биде минимум 1 бар. Притисокот на доводот на водата мора да биде максимум 8 бари.
- Користете само вода за пиење.

## Безбедност за деца

- Ако вратата има брава, клучот треба да се чува далеку од децата на децата.
- Децата мора да се надгледуваат за да се спречи тие да си играат со ладилникот.

## Усогласување со Директивата за фрлање на електронска и електрична опрема и за одлагање на отпадот:



Овој отпад е усогласен со Директивата на ЕУ за фрлање на електронска и електрична опрема (2012/19/EU). Овој производ го носи симболот за класификација на отпадот од електрична и електронска опрема (WEEE).

Овој производ е произведен со многу квалитетни делови и материјали коишто може да се користат одново и се соодветни за рециклирање. Не фрлајте го производот со нормалниот домашен отпад и со друг отпад кога веќе нема да го користите. Однесете го во собирен центар за рециклирање на електрична и електронска опрема. Консултирајте се со овластените тела во општината за да дознаете каде има собирни центри.



## **Усогласување со Директивата за ограничување на опасните материи:**

Производот што го купивте е усогласен со отпад е усогласен со Директивата за ограничување на опасните материи (2011/65/EU). Не содржи штетни и забранети материјали коишто се наведени во Директивата.

## **Информации за пакувањето**

Материјалот за пакувањето на производот е произведен од материјал што може да се рециклира во согласност со Државните одредби за заштита на животната средина. Не фрлајте го материјалот од пакувањето заедно со домашниот или друг отпад. Однесете го во центри за собирање материјал за пакување коишто ги посочуваат општинските тела

## **НСА-Предупредување**

### **Ако системот за разладување на производот содржи R600a:**

Овој гас е запалив. Затоа треба са се обрне внимание да не се оштетуваат системот за ладење и цевководите при употреба и транспорт. Во случај на оштетување, чувајте го производот настрана од можни извори на оган што може да предизвикаат негово палење и вентилирајте ја просторијата каде што е сместен.


### **Игнорирајте го ова предупредување ако системот за ладење на производот содржи R134a.**

Типот на гас што се користи во производот е посочен на плочката на левиот ѕид во ладилникот. Никогаш не фрлајте го производот во оган.

## **Работи што треба да ги направите за штедење енергија**

- Не држете ги вратите на ладилникот отворени подолг период.
- Не ставајте топли пијалаци или храна во ладилникот.
- Не преоптоварувајте го ладилникот со што ќе се попречи циркулацијата на воздухот во внатрешноста.
- Не поставувајте го ладилникот под директна сончева светлина или близу до уреди што зрачат топлина како што се печка, машина за миење садови или радијатори.
- Внимавајте храната да ја чувате во затворени садови.
- Ако ја одмрзнувате замрзната храна во одделот на ладилникот, ќе заштедите струја и ќе го зачувате квалитетот на храната.

### 3 Поставување

 Имајте предвид дека производителот нема да биде одговорен ако не се почитуваат информациите коишто се дадени во упатството за работа.

#### Работи што треба да се имаат во предвид кога го транспортирате ладилникот

1. Ладилникот мора да се испразни и исчисти пред каков било транспорт.
2. Полиците, дополнителната опрема, фиоките и сл. во ладилникот мора безбедно да се зацврстат со лента за лепење за да се спречи нишање пред повторно пакување.
3. Пакувањето мора да се зацврсти со дебели ленти и цврсти јажинџа, а правилата што се отпечатени на пакувањето мора да се почитуваат.

#### Не заборавајте...

Секој рециклирачки материјал е неопходен извор за природата и за нашите природни ресурси. Ако сакате да придонесете при рециклирање на материјалите за пакување, може да добиете повеќе информации од овластените лица за животна средина или од локалната власт.

#### Пред вклучување на ладилникот

Пред да почнете да го употребувате ладилникот, проверете го следново:


1. Дали е внатрешноста на ладилникот сува и дали може воздухот да циркулира слободно од задната страна?
2. Исчистете ја внатрешноста на ладилникот како што е препорачано во поглавјето „Одржување и чистење“.
3. Вклучете во ладилникот во приклучок за струја. Кога вратата ќе се отвори, соодветното внатрешно осветлување на ладилникот ќе се вклучи.


4. Ќе слушнете бучава кога ќе се вклучи компресорот. Течноста и гасовите затворени во системот на ладилникот ја зголемуваат бучавата, без оглед дали компресорот е вклучен или не, тоа е сосема нормално.
5. Предните рабови на ладилникот може да се малку топли. Тоа е сосема нормално. Овие области се дизајнирани да бидат топли за да се спречи кондензација.

#### Електрично поврзување

Поврзете го производот во заземјен штекер што е заштитен со осигурувач со соодветен капацитет. Важно:

- Поврзувањето мора да биде усогласено со државните регулативи.
- Приклучокот на кабелот за напојување мора да биде лесно достапен по приклучувањето.
- Посочениот напон мора да биде еднаков на напонот на напојувањето.
- Не смее да се користат продолжни кабли и приклучоци со повеќе влезови.

 Квалификуван електричар мора да го замени оштетениот кабел за напојување.

 Производот не смее да работи пред да се поправи! Постои ризик од електричен удар!

#### Фрлање на пакувањето

Материјалот за пакување е опасен за децата. Чувајте го материјалот за пакување подалеку од дофат на децата или фрлете го класифицирајќи го во согласност со упатствата за фрлање отпад. Не фрлајте го заедно со редовниот домашен отпад. Пакувањето на ладилникот е произведено од рециклирачки материјали.

## Фрлање на стариот ладилник

Фрлете го стариот ладилник без да направите штета за животната средина.

- Консултирајте се со овластениот застапник или со центар за собирање отпад во вашата општина за тоа како да го фрлите ладилникот.

Пред да го фрлите ладилникот, исечете го кабелот за напојување и, ако има брави на вратата, искршете ги за да ги заштитите децата од каква било опасност.

## Поставување и поврзување

△ Ако влезната врата на просторијата каде што треба да се смести ладилникот не е доволно широка за да може тој да помине, тогаш повикајте го овластениот сервис да ги извади вратите на ладилникот и тогаш, поминете го ладилникот низ вратата странично.

1. Поставете го ладилникот на место кое овозможува лесна употреба.
2. Поставете го ладилникот подалеку од извори на топлина, влажни места или директна сончева светлина.
3. Мора да има соодветна воздушна вентилација околу ладилникот со цел да се постигне ефикасна работа. Ако ладилникот треба да се постави во вдлабнатина во ѕидот, тогаш мора да има најмалку 5 цм. растојание од таванот и најмалку 5 цм од ѕидот. Ако на подот има килим, ладилникот мора да е подигнат од подот за 2,5 цм.
4. Поставете го ладилникот на рамни подови за да се спречи нишање.
5. Не чувајте го ладилникот во простории со амбиентална температура под 10°C.

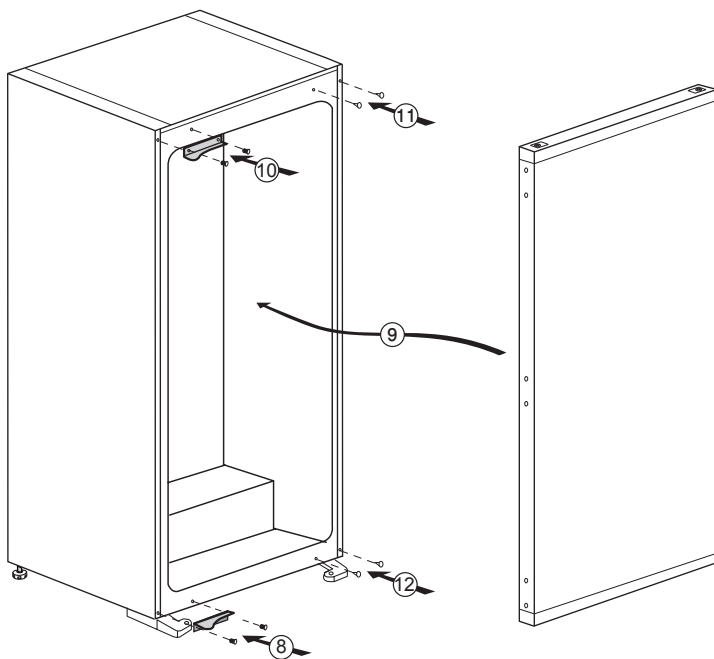
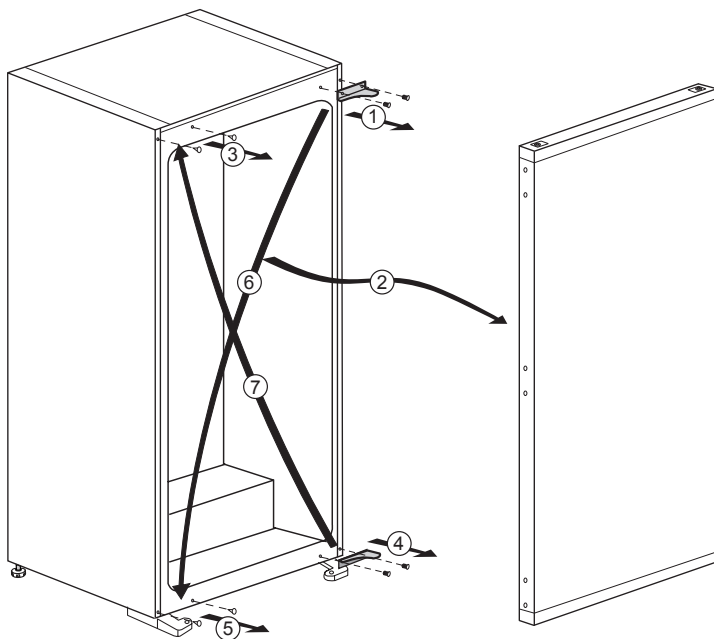
## Замена на внатрешната светилка за осветлување

Повикајте овластен сервисер за да ја смените светилката што служи за осветлување на ладилникот.

Сијалицата што се користи во овој уред не служи за осветлување на соби во домот. Намената на сијалицата е да му помогне на корисникот да ја стави храната во фрижидерот безбедно и удобно. Сијалиците што се користат во овој производ треба да ги издржуваат екстремните физички услови, како што се температурите под -20°C.

## Преместување на вратите

Постапете по нумеричкиот редослед.



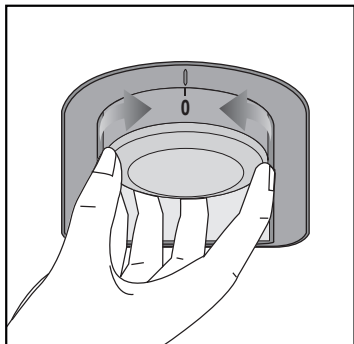
## 4 Подготовка

---

- i** Ладилникот треба да се постави на најмалку 30 цм. оддалеченост од извори на топлина, како што се камини, фурни, централно греење и печки и најмалку 5 цм. оддалеченост од електрични печки и не смее да се изложува на директна сончева светлина.
- i** Амбиенталната температура во просторијата каде што ќе го поставите ладилникот мора да биде најмалку 10°C. Не се препорачува работа на ладилникот под уреди за ладење затоа што ја попречува неговата ефикасност.
- i** Исчистете ја внатрешноста на ладилникот темелно.
- i** Ако треба да се постават два ладилника еден до друг, тогаш треба да има најмалку 2 цм. растојание меѓу нив.
- i** Кога ќе го вклучите ладилникот за првпат, почитувајте ги следните упатства во текот на првите шест часа.
  - Врата не треба да се отвора често.
  - Мора да се вклучи празен, без храна во него.
  - Не исклучувајте го ладилникот од струја. Ако снема струја, видете ги предупредувањата во поглавјето „Препорачани решенија за проблемите“.
- i** Оригиналното пакување и материјалите од пена треба да се чуваат за евентуален иден транспорт или преместување.

## 5 Употреба на ладилникот

### Копче за поставување на термостатот



Работната температура се регулира со контролата за температура.



**1 = најниско поставување за ладење (најтопло)**

**5 = највисоко поставување за ладење (најладно)**

(или)

**Мин = најниско поставување за ладење (најтопло)**

**Макс. = највисоко поставување за ладење (најладно)**

Просечната температура во ладилникот треба да биде околу +5°C.

Изберете го поставувањето во зависност од саканата температура.

Имајте предвид дека ќе има различни температури во делот за ладење.

Најладниот дел е веднаш над одделот за зеленчук.

Внатрешната температура зависи и од амбиенталната температура, зачестеноста на отворањето на вратата, како и од количината храна што се чува внатре.

Често отворање на вратата предизвикува покачување на внатрешната температура.

Од оваа причина, се препорачува веднаш да ја затворите вратата по користење на ладилникот.

### Користење на внатрешните оддели

Подвижни полици: Растојанието меѓу полиците може да се прилагодува по потреба.

Фиока за зеленчук: Зеленчукот и овошјето може да се чуваат во оваа преграда подолго време без да се расипат.

Полица за шишиња: Шишиња, тегли и конзерви може да се чуваат на овие полици.

### Ладење

#### Складирање храна

Одделот на ладилникот е наменет за краткотрајно складирање свежа храна и пијалаци.

Чувајте ги млечните производи во наменетиот оддел во ладилникот/ замрзнувачот.

Шишињата може да се чуваат во држачите за шишиња или на полицата за шишиња на вратата.

Свежото месо најдобро се одржува во полиетиленски вреќички во одделот на дното на ладилникот/ замрзнувачот.

Оставете ги топлиите јадења и пијалаци да се изладат на собна температура пред да ги ставите во ладилникот/замрзнувачот.

#### • Внимание

Чувајте го концентрираниот алкохол само во исправена положба и цврсто затворен.

#### • Внимание

Не ставајте експлозивни материи или садови со запалливи гасови (конзервиран крем, конзерви на распрснување, итн.) во уредот. Постои опасност од експлозија.

## Одмрзнување

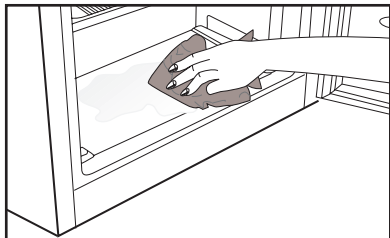
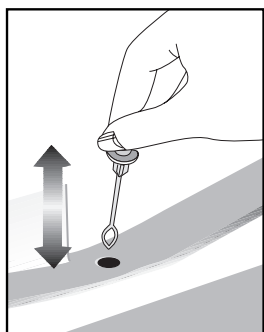
Одделот на ладилникот извршува целосно автоматизирано одмрзнување.

Водата капе и може да се појави мраз до 7-8 мм. на внатрешниот заден ѕид во ладилникот кога тој лади. Таквите формации се нормални како резултат на системот за разладување.

Формацијата на мраз ќе се одмрзне автоматски на одредени интервали благодарение на системот за автоматизирано одмрзнување на задниот ѕид. Нема потреба од гребење на мразот или од собирање на водените капки.

Водата што е производ на одмрзнувањето минува низ одводот за собирање вода и истекува во испарувачот преку одводната цевка и тука испарува.

Проверувајте ја редовно одводната цевка за да видите дали е запушена или не и исчистете ја со стапче во отворот ако е неопходно.



## Исклучување на производот

Ако термостатот има позиција „0“:  
- Производот ќе престане да работи кога ќе го свртите копчето на термостатот на позицијата „0“ (нула). Производот нема да започне со работа ако не го свртите копчето на термостатот на позиција „1“ или на некоја од другите позиции повторно.

Ако термостатот има позиција „мин“:  
- Исклучете го производот од струја за да престане да работи.

## 6 Одржување и чистење

- ⚠ Никогаш не користете бензин, нафта или слични средства за чистење.
- ⚠ Препорачуваме да го исклучите апаратот пред чистење.
- ⓘ Никогаш не користете груби абразивни инструменти, сапун, домашни средства за чистење, детергент и средство за полирање за чистење.
- ⓘ Користете топла вода за чистење на внатрешноста на апаратот и избришете за да се исуши.
- ⓘ Користете влажна и добро исцедена крпа потопена во раствор од една лажичка сода бикарбонат и една чаша вода за чистење на внатрешноста, а потоа избришете за да се исуши.
- ⚠ Внимавајте да не навлезе вода во кукиштето на осветлувањето или во другите електрични делови.
- ⚠ Ако апаратот нема да се користи подолго време, исклучете го, извадете ја храната, исчистете го и оставете ја вратата полуотворена.
- ⓘ Проверувајте ја редовно гумата на вратата која треба да биде чиста и без остатоци од храна.
- ⓘ За да ги извадите полиците на вратата, извадете ја целата содржина и потоа едноставно притиснете ја полицата нагоре од лежиштето.
- ⓘ Никогаш не користете средства за чистење или вода што содржат хлор за да ги исчистите надворешните површини и деловите обложени со хром на производот. Хлорот предизвикува корозија на таквите метални површини.

### Заштита на пластичните површини

- ⓘ Не ставајте течни масла или храна зготвена со масло во незатворени садови во ладилникот бидејќи тие може да ги оштетат пластичните површини на ладилникот. Во случај на истурање или размачкување масло врз пластичните површини, исчистете го и исплакнете го дадениот дел на површината веднаш со топла вода.



## 7 Препорачани решенија за проблемите

Прочитајте го овој список пред да повикате сервис. Ќе ви заштеди време и пари. Овој список ги опфаќа честите поплаки што не произлегуваат од неправилна работа или употреба на материјали. Некои од одликите што се опишани тука веројатно не постојат кај вашиот производ.

### Ладилникот не работи.

- Дали ладилникот е правилно приклучен? Приклучете го во штекер.
- Дали осигурувачот на приклучокот на којшто е поврзан ладилникот или главниот осигурувач се прегорени? Проверете го осигурувачот.

### Се јавува кондензација на страничните ѕидови во одделот на ладилникот (ПОВЕЌЕНАМЕНСКА ЗОНА, КОНТРОЛА НА ЛАДЕЊЕТО И ФЛЕКСИБИЛНА ЗОНА).

- Многу студени амбиентални услови. Често отворање и затворање на вратата. Амбиентални услови со многу влага. Складирана храна што содржи течност во отворени садови. Вратата е оставена подотворена. Префрлете го термостатот на поладен степен.
- Намалете го времето за оставена отворена врата или користете ја поретко.
- Затворете ја храната што ја чувате во отворени садови со соодветен материјал.
- Избришете ја кондензацијата со сува крпа и проверете дали повторно ќе се појави.

### Компресорот не се вклучува.

- Заштитната термика на компресорот ќе престане да работи при ненадеен прекин на ел. енергија или ќе го прекине ел. напојување бидејќи притисокот на ладилникот во системот за ладење сè уште не е избалансиран. Ладилникот ќе продолжи со работа по приближно 6 минути. Повикајте го сервисерот ако ладилникот не се вклучи по истекување на овој период.
- Ладилникот е во циклус на одмрзнување. Ова е нормално за целосно автоматизиран процес на одмрзнување кај ладилникот. Циклусот на одмрзнување започнува периодично.
- Ладилникот не е приклучен во штекер. Проверете дали приклучокот е правилно поставен во штекерот.
- Дали прилагодувањето на температурата е правилно направено?
- Можеби нема струја.

<b>Ладилникот често или долго работи.</b>
<ul style="list-style-type: none"> <li>• Новиот ладилник веројатно е поширок од претходниот. Тоа е сосема нормално. Големите ладилници работат подолг период.</li> <li>• Амбиенталната температура во просторијата е висока. Тоа е сосема нормално.</li> <li>• Ладилникот веројатно е приклучен неодамна или можеби е преоптоварен со храна. Комплетното разладување на ладилникот може да потрае неколку часа подолго.</li> <li>• Веројатно е ставена голема количина врела храна во ладилникот неодамна. Врелата храна предизвикува подолг период на работа на ладилникот сè додека не се постигне безбедна температура на складирање.</li> <li>• Вратите веројатно биле често отворани или оставени подотворени долг период. Топлиот воздух што навлегол во ладилникот предизвикува тој да работи подолг период. Отворајте ги вратите поретко.</li> <li>• Вратите на одделите на ладилникот или замрзнувачот веројатно биле оставени подотворени. Проверете дали вратите се добро затворени.</li> <li>• Ладилникот е прилагоден на многу ниска температура. Прилагодете ја температурата во ладилникот на повисок степен и почекајте додека не се постигне температурата.</li> <li>• Гумата на вратата од ладилникот или замрзнувачот е нечиста, истрошена, искината или не е правилно поставена. Исчистете ја или заменете ја гумата. Оштетена / искината гума предизвикува ладилникот да работи подолг период за да ја одржува тековната температура.</li> </ul>
<b>Температурата во замрзнувачот е многу ниска додека температурата во ладилникот е задоволителна.</b>
<ul style="list-style-type: none"> <li>• Температурата во замрзнувачот е прилагодена на многу ниска температура. Прилагодете ја температурата во замрзнувачот на повисок степен и проверете.</li> </ul>
<b>Температурата во ладилникот е многу ниска додека температурата во замрзнувачот е задоволителна.</b>
<ul style="list-style-type: none"> <li>• Температурата во ладилникот е прилагодена на многу ниска температура. Прилагодете ја температурата во ладилникот на повисок степен и проверете.</li> </ul>
<b>Храната што се чува во фиоките на ладилникот се замрзнува.</b>
<ul style="list-style-type: none"> <li>• Температурата во ладилникот е прилагодена на многу ниска температура. Прилагодете ја температурата во ладилникот на повисок степен и проверете.</li> </ul>
<b>Температурата во ладилникот или замрзнувачот е многу висока.</b>
<ul style="list-style-type: none"> <li>• Температурата во ладилникот е прилагодена на многу висок степен. Прилагодувањето во ладилникот влијае врз температурата во замрзнувачот. Сменете ја температурата во ладилникот или замрзнувачот додека истата не постигне задоволително ниво.</li> <li>• Вратите веројатно биле често отворани или оставени подотворени долг период. Отворајте ги поретко.</li> <li>• Вратата била оставена подотворена. Затворете ја вратата убаво.</li> <li>• Веројатно е ставена голема количина врела храна во ладилникот неодамна. Очекајте додека ладилникот или замрзнувачот не ја постигнат саканата температура.</li> <li>• Ладилникот веројатно бил приклучен неодамна. Целосно разладување на ладилникот трае подолго.</li> </ul>

<b>Бучавата при работа се зголемува кога работи ладилникот.</b>
<ul style="list-style-type: none"> <li>• Работата на ладилникот се менува соодветно со промените во амбиенталната температура. Тоа е нормално и не е грешка.</li> </ul>
<b>Вибрации или бучава.</b>
<ul style="list-style-type: none"> <li>• Подот не е рамен или е многу слаб. Ладилникот се ниша кога ќе се помести малку. Проверете дали подот е доволно цврст и може да го држи ладилникот и дали е рамен.</li> <li>• Бучавата може да се предизвикува и од работите што се ставени врз ладилникот. Тие предмети треба да се тргнат од ладилникот.</li> </ul>
<b>Има бучава што доаѓа од ладилникот и наликува на истурање вода или шиштење.</b>
<ul style="list-style-type: none"> <li>• Течните и гасните звуци се случуваат заради работните принципи на ладилникот. Тоа е нормално и не е грешка.</li> </ul>
<b>Има бучава како да дува ветер.</b>
<ul style="list-style-type: none"> <li>• Се користат вентилатори за да може да се излади ладилникот. Тоа е нормално и не е грешка.</li> </ul>
<b>Има кондензација на внатрешните ѕидови на ладилникот.</b>
<ul style="list-style-type: none"> <li>• Врела и влажна клима го зголемува создавањето мраз и кондензација. Тоа е нормално и не е грешка.</li> <li>• Вратите биле оставени подотворени. Проверувајте дали вратите се затворени убаво.</li> <li>• Вратите веројатно биле често отворани или оставени подотворени долг период. Отворајте ги поретко.</li> </ul>
<b>Влага се појавува на надворешноста на ладилникот или меѓу вратите.</b>
<ul style="list-style-type: none"> <li>• Веројатно има влажност во воздухот. Ова е сосема нормално во временски услови со влага. Кога ќе се намали влагата, ќе исчезне и кондензацијата.</li> </ul>
<b>Има лоша миризма во ладилникот.</b>
<ul style="list-style-type: none"> <li>• Внатрешноста на ладилникот мора да се исчисти. Исчистете ја внатрешноста на ладилникот со сунѓер, топла вода или карбонизирана вода.</li> <li>• Некои садови или материјали за пакување веројатно го предизвикуваат мирисот. Употребете друг сад или материјал за пакување од друг производител.</li> </ul>
<b>Вратата не се затвора.</b>
<ul style="list-style-type: none"> <li>• Спакуваната храна може да го попречува затворањето на вратите. Преместете ја спакуваната храна што ја попречува вратата.</li> <li>• Ладилникот не е поставен целосно вертикално на подот и се ниша кога малку ќе се потурне. Прилагодете ги шрафовите за подигнување.</li> <li>• Подот не е рамен или цврст. Проверете дали подот е рамен и може да го држи ладилникот.</li> </ul>
<b>Фиоките се заглавени.</b>
<ul style="list-style-type: none"> <li>• Храната веројатно го допира плафонот на фиоката. Прераспределете ја храната во фиоката.</li> </ul>

## Будь ласка, спочатку прочитайте цю інструкцію!

Шановний покупець!

Сподіваємося, що цей товар, виготовлений на сучасних підприємствах і перевірений за допомогою найприскіпливіших процедур контролю, ефективно слугуватиме вам у побуті.

Для цього рекомендуємо вам прочитати всю інструкцію до кінця, перш ніж користуватися холодильником, і зберегти її для майбутнього використання у довідкових цілях.

### Ця інструкція

- допоможе вам користуватися приладом у швидкий і безпечний спосіб;
- прочитайте інструкцію, перш ніж встановлювати холодильник і користуватися ним;
- дотримуйтесь інструкцій, особливо з питань техніки безпеки;
- зберігайте інструкцію в легкодоступному місці, оскільки вона може знадобитися вам пізніше;
- крім того, прочитайте також інші документи, що надаються разом із холодильником.
- Зверніть увагу, що ця інструкція може бути дійсною для інших моделей.

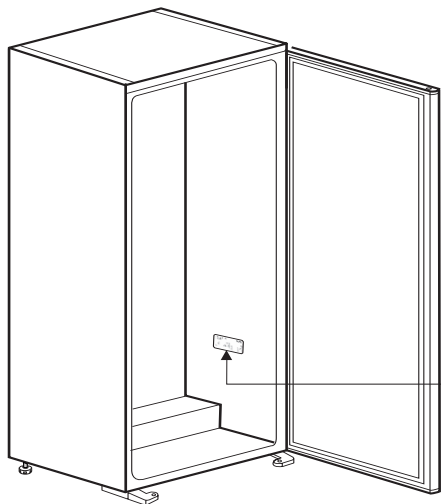
### Символи та їхній опис

Ця інструкція містить наступні символи:

**i** Важлива інформація або корисні поради з користування.

**!** Попередження про небезпечні ситуації для життя та майна.

**⚡** Попередження про електричну напругу.



Seri No: 10-106058-11

2010-11-xx  
YYYY-MM-DD

Виробник: 'S.C. Arctic S.A.',  
Gaesti, str.13 Deceambrel №210,  
Romania (Румунія).

Офіційний представник на території  
України: ТОВ «Беко Україна», адреса:  
**Бізнес Парк «Європасаж»** 01033, м.  
Київ, вул. Сім'ї Прахових, 58/10, 1-й  
поверх. тел/факс.: 0-800-500-4-3-2.

Термін служби 10 років.

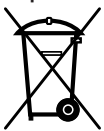
Дата виробництва міститься в серійному номері продукту, що вказаний на етикетці, розташованій на продукті, а саме, перші дві цифри серійного номера позначають рік виробництва, а останні дві - місяць. Наприклад, «10-100001-05» означає, що продукт виготовлений в травні 2010 року. Інформацію про сертифікацію продукту Ви можете уточнити, зателефонувавши на гарячу лінію 0-800-500-4-3-2.

<b>1 Холодильник</b>	<b>3</b>	<b>4 Підготовка</b>	<b>10</b>
<b>2 Важливі вказівки з техніки безпеки</b>	<b>4</b>	<b>5 Користування холодильником</b>	<b>11</b>
Призначення .....	4	Регулювання робочої температури... ..	11
Загальні правила техніки безпеки.....	4	Використання внутрішніх відділень ..	11
Для пристроїв із розподільником води .....	6	Охолодження .....	11
Безпека дітей .....	6	Розморожування .....	12
Попередження НСА .....	6	Припинення роботи приладу .....	12
Як заощадити електроенергію .....	6	<b>6 Догляд та очищення</b>	<b>13</b>
<b>3 Установка</b>	<b>7</b>	Захист пластикових поверхонь.....	13
Що слід враховувати при транспортуванні приладу .....	7	<b>7 Рекомендації з усунення несправностей</b>	<b>14</b>
Перед увімкненням холодильника... ..	7		
Підключення до електромережі.....	7		
Утилізація упаковки .....	8		
Утилізація вашого старого холодильника .....	8		
Розміщення та Установка .....	8		
Заміна лампи внутрішнього освітлення .....	8		
Перенавішування дверцят .....	9		

**УВАГА!**

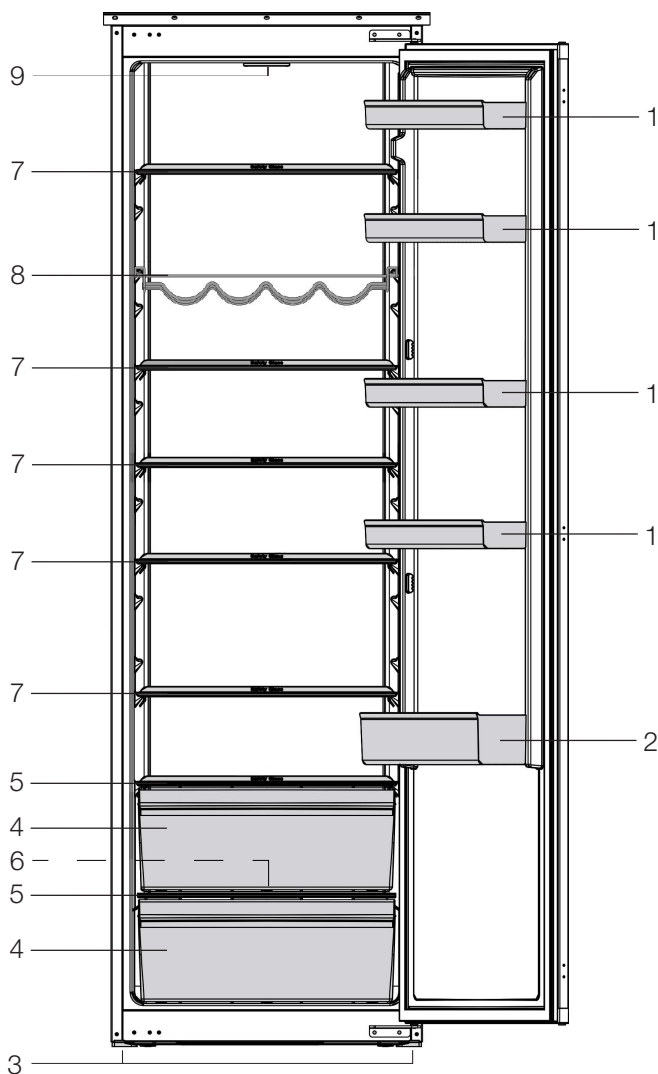
Для того, щоб забезпечити нормальну роботу Вашого холодильника, в якому використовується охолоджуючий реагент R600a, абсолютно нешкідливий для навколишнього середовища (займається лише за певних умов), Вам Необхідно дотримуватися наступних правил.

- Не створюйте перепон для вільної циркуляції повітря навколо холодильника.
- Не користуйтеся жодними механічними пристроями та інструментами для видалення льоду під час розморожування холодильника, окрім тих, що рекомендовані виробником.
- Не допускайте пошкодження охолоджуючого контура.
- Не встановлюйте всередину холодильного відділення, де зберігаються продукти, жодних електричних пристроїв, окрім тих, що рекомендовані виробником.

**Рециклінг**

Цей виріб позначений символом роздільного сортування для електричного та електронного обладнання (WEEE). Це означає, що з даним виробом слід чинити відповідно до Директиви Європейського Союзу 2012/19/EU, щоб знизити негативний вплив на навколишнє середовище при його переробці чи розбиранні. Для отримання докладнішої інформації зверніться до місцевих чи регіональних органів влади. Електронні вироби, які не включено у цей процес роздільного сортування, через вміст шкідливих компонентів є потенційною загрозою для довкілля та здоров'я людей.

# 1 Холодильник



- |                            |  |
|----------------------------|--|
| 1. Регульовані полки двері | 6. Розморожування збору води каналу - дренажна трубка    |
| 2. Полиця для пляшок       | 7. Регульовані полки                                     |
| 3. Передні ніжки           | 8. Винна стійка  |
| 4. Ящика для овочів        | 9. Коробка термостату та лампочка внутрішнього освітленн |
| 5. Кришка ящика для овочів |  |

**i** Ілюстрації в даній інструкції є схематичними і можуть відрізнятися від вашої моделі. Якщо до комплектації моделі, яку ви придбали, не входять згадані деталі, вони призначені для інших моделей.

## 2 Важливі вказівки з техніки безпеки

Ознайомтеся з наведеною нижче інформацією. Ігнорування цієї інформації може призвести до травмування чи пошкодження пристрою. В такому разі гарантія і будь-які зобов'язання виробника стосовно надійної роботи пристрою будуть анульовані.

Оригінальні запасні частини будуть постачатися протягом 10 років з моменту придбання виробу.

### Призначення

Цей пристрій призначено для використання:

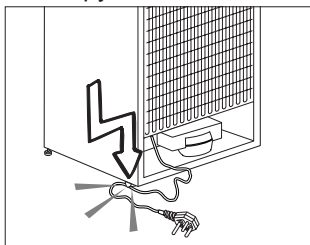
- у закритих приміщеннях, таких як житлові будинки;
- у закритих робочих приміщеннях, наприклад, у магазинах чи офісах;
- у закритих жилих приміщеннях, наприклад, у заміських будинках, готелях, пансіонатах;
- Його не можна використовувати поза приміщенням.

### Загальні правила техніки безпеки

- Якщо ви бажаєте утилізувати/ліквідувати пристрій, рекомендуємо звернутися до авторизованої сервісної служби та компетентних органів для отримання необхідної інформації.
- З усіма питаннями та проблемами стосовно холодильника звертайтеся до уповноваженої сервісної служби. Без повідомлення уповноваженої сервісної служби не втручайтеся в роботу холодильника й не дозволяйте робити це іншим.
- Для пристроїв з морозильним відділенням: не їжте морозиво та кубики льоду одразу після виймання їх з морозильного відділення! (Це може викликати обмороження ротової порожнини.)

- Для приладів з морозильним відділенням: не ставте рідкі напої у пляшках чи банках до морозильного відділення. Вони можуть лопнути.
- Не торкайтеся руками заморожених продуктів; вони можуть примерзнути до шкіри.
- Перед чистою чи розморожуванням від'єднуйте холодильник від електромережі.
- Не використовуйте пару та засоби для чищення, які можуть випаруватися, для чищення та розморожування вашого холодильника. У такому випадку пара може сконтактувати з електричними частинами та викликати коротке замикання чи удар електричним струмом "to". Не використовуйте пару та засоби для чищення, які можуть випаруватися, для чищення та розморожування вашого холодильника. У такому випадку пара може сконтактувати з електричними частинами та викликати коротке замикання чи удар електричним струмом.
- Не використовуйте такі частини холодильника, як дверцята, як підставку чи опору.
- Не використовуйте електричні прилади всередині холодильника.
- Не допускайте пошкодження частин, у яких циркулює хладагент, ріжучими чи свердловальними інструментами. Хладагент може з'явитися із випаровувача, на трубопроводі чи на покриттях і викликати подразнення шкіри чи ураження очей.
- Не закривайте вентиляційні отвори вашого холодильника.
- Ремонт електроприладів мають виконувати тільки кваліфіковані фахівці. Ремонт, виконаний недосвідченими особами, може спричинити ризик для користувача.
- У випадку несправностей під час експлуатації чи ремонту вимкніть холодильник, вимкнувши запобіжник чи вийнявши з розетки шнур живлення.

- При від'єднанні від мережі не тягніть за кабелів – тільки за штепсель.
- Міцні напої треба зберігати щільно закритими у вертикальному положенні.
- Суворо заборонено зберігати в холодильнику пляшки з горючими чи вибухонебезпечними речовинами.
- Не застосовуйте механічні пристрої або інші засоби для прискорення розмороження, крім рекомендованих виробником.
- Цей електроприлад не призначений для використання особами (включаючи дітей) зі зниженими фізичними, чутливими або розумовими можливостями або з браком досвіду і знань, якщо вони не перебувають під наглядом або не пройшли інструктаж щодо користування пристроєм від відповідальної за їхню безпеку особи.
- Не використовуйте несправний холодильник. При виникненні запитань звертайтеся до кваліфікованого фахівця.
- Електрична безпека може гарантуватися лише в тому випадку, якщо система заземлення у вашому будинку відповідає стандартам.
- Вплив на пристрій дощу, снігу, сонця чи вітру небезпечний з точки зору електробезпеки.
- Зверніться до сервісної служби, якщо пошкоджено шнур живлення, щоб це не створило небезпеку для вас.
- Не вмикайте холодильник в розетку під час його встановлення. Ризик смертельного випадку чи серйозних ушкоджень дуже високий.
- Цей холодильник призначений лише для зберігання харчових продуктів. Його не слід використовувати з будь-якою іншою метою.
- таблиця з описом технічних специфікацій виробу розташована зліва на внутрішній стінці холодильника.
- Не підключайте холодильник до електронних систем енергозбереження, оскільки це може призвести до несправності виробу.
- Якщо у холодильнику є блакитне освітлення, не дивіться на нього крізь оптичні прилади.
- У разі відключення холодильників із ручним управлінням від мережі електроживлення зачекайте щонайменше 5 хвилин, перш ніж підключати живлення.
- У випадку продажу виробу цю інструкцію з експлуатації слід передати новому господарю.
- Під'єднуючи холодильник до електромережі, не торкайтеся до штепсельної вилки мокрими руками" то "Під'єднавши холодильник до електромережі, не торкайтеся до штепсельної вилки вологими руками.



- Не підключайте холодильник до погано закріпленої стінної розетки мережі електропостачання.
- Із міркувань безпеки не допускайте потрапляння води безпосередньо на зовнішні або внутрішні частини холодильника.
- Не розбризкуйте поряд із холодильником займисті матеріали, такі як газ пропан, через ризик пожежі та вибуху.
- Не ставте посудини з водою на холодильник, оскільки це може призвести до ураження електричним струмом або пожежі.
- Не перевантажуйте холодильник надмірною кількістю продуктів. Якщо холодильник перевантажено, продукти можуть випасти при відчиненні дверцят і травмувати вас чи пошкодити холодильник. Не кладіть предмети на холодильник, оскільки вони можуть впасти під час відчинення чи зачинення дверцят.
- У холодильнику не можна зберігати речовини, що вимагають певних температурних умов (вакцини, термочутливі медикаменти, наукові матеріали тощо).



- Холодильник слід від'єднати від електромережі, якщо він не буде використовуватися протягом тривалого часу. Можливі несправності шнура живлення можуть призвести до пожежі.
- Необхідно регулярно очищати кінці вилки шнура живлення; недотримання цієї вимоги може стати причиною пожежі.
- Необхідно регулярно очищати кінці вилки шнура живлення сухою тканиною; недотримання цієї вимоги може стати причиною пожежі.
- Холодильник може переміщатися, якщо регульовані ніжки не зафіксовано на підлозі. Фіксація регульованих ніжок на підлозі може запобігти його переміщенню.
- При переміщенні холодильника не тримайте його за ручку, бо вона може зламатися.
- При встановленні холодильника відстань між ним й іншим холодильником чи морозильником має становити щонайменше 8 см. В іншому разі бічні стінки, що прилягають, зволожуватимуться.

## Для пристроїв із розподільником води

Тиск у водогінній лінії не має бути нижчим за 1 бар. Тиск у водогінній лінії не повинен перевищувати 8 бар.

- Використовуйте лише питну воду.

## Безпека дітей

- Якщо на дверцятах є замок, тримайте ключ у місці, недоступному для дітей.
- Слід наглядати за дітьми та не дозволяти їм псувати пристрій.

## Попередження НСА

### Якщо система охолодження вашого пристрою містить R600a:

Цей газ горючий. Тому будьте уважні, не допускайте пошкодження системи охолодження та труб під час використання і транспортування.

У випадку пошкодження пристрою зберігайте його подалі від потенційного джерела займання та провітрюйте приміщення, в якому знаходиться прилад.

### Не звертайте уваги на попередження, якщо система охолодження вашого пристрою містить R134a.

Тип газу, що використовується у приладі, наведений у паспортній таблиці, розташованій зліва на внутрішній стінці холодильника.

## Як заощадити електроенергію

- Не тримайте двері холодильника відчиненими тривалий час.
- Не закладайте до холодильника гарячі продукти чи напої.
- Не зберігайте у холодильнику гарячі напої чи продукти.
- Не встановлюйте холодильник під прямим сонячним промінням чи поблизу джерела тепла, наприклад, плити, посудомийної машини чи радіатора опалення.
- Слідкуйте за тим, щоб продукти зберігалися у закритих контейнерах.
- Розморожування заморожених продуктів у холодильному відділенні забезпечить економію електроенергії та збереження якості продуктів.

## 3 Установка

⚠ Будь ласка, пам'ятайте, що виробник не нестиме відповідальність, якщо не дотримано порад, наведених в інструкції з користування.

### Що слід враховувати при транспортуванні приладу

1. Перед будь-яким транспортуванням холодильник має бути спорожнений і вимитий.
2. Перед упакуванням холодильника всі полиці, приналежності, контейнери для фруктів та овочів тощо у вашому холодильнику слід міцно закріпити скотчем для запобігання струсам.
3. Упаковувати холодильник слід за допомогою товстих стрічок і міцних мотузок, а також дотримуватися правил транспортування, надрукованих на упаковці.

**Упевніться в тому, що всередині холодильник старанно вимитий.** Повторне використання матеріалів надзвичайно важливе для природи та наших національних ресурсів. Якщо ви бажаєте посприяти повторному використанню матеріалів упаковки, ви можете отримати більше інформації від органів охорони довкілля або від органів місцевої влади.

### Перед увімкненням холодильника

Перш ніж розпочати експлуатацію холодильника, перевірте дотримання таких умов:

1. Усередині холодильника сухо, ніщо не заважає вільній циркуляції повітря позаду приладу.
2. Вимийте внутрішню частину холодильника, як рекомендовано у розділі "Догляд та очищення".
3. Під'єднайте холодильник до розетки електромережі. При відчиненні дверцят холодильника вмикається внутрішнє освітлення холодильного відділення.
4. Ви почуєте шум, оскільки компресор почне працювати. Рідина та газу всередині холодильної системи також можуть створювати шум, навіть якщо компресор не працює, що є цілком нормальним явищем.
5. Передні кромки холодильника можуть бути теплими на дотик. Це нормально. Ці області мають нагріватися, щоб уникнути конденсації.

### Підключення до електромережі

Підключіть холодильник до заземленої розетки, захищеної плавким запобіжником відповідної потужності.

Важливо!

- Підключення має відповідати національним нормам і правилам.
- Після встановлення холодильника має бути забезпечений легкий доступ до штепселя шнура живлення.
- Указана напруга має відповідати напрузі вашої електромережі.
- **Для підключення не слід використовувати подовжувачі та штепсельні колодки на декілька гнізд.**

⚠ У разі пошкодження шнура живлення його заміну має здійснювати кваліфікований електрик.

⚠ Забороняється користуватися холодильником, доки його не буде відремонтовано! Існує небезпека ураження електричним струмом!

## Утилізація упаковки

Пакувальні матеріали можуть становити небезпеку для дітей. Зберігайте пакувальні матеріали у недоступному для дітей місці, або утилізуйте їх, розсортувавши відповідно до інструкцій з утилізації відходів. Не утилізуйте їх разом із звичайними побутовими відходами. Упаковка вашого холодильника вироблена з матеріалів, що можуть бути використані повторно.

## Утилізація вашого старого холодильника

Утилізуйте старий холодильник, не завдаючи шкоди довкіллю.

- З питань щодо утилізації холодильника ви можете звернутися до пункту збору відходів вашого населеного пункту.

Перед утилізацією холодильника відріжте штепсель електрошнура, а також виведіть з ладу замки (якщо такі існують) дверцят, щоб захистити дітей від небезпеки зачинення всередині.

## Розміщення та Установка

⚠ Якщо двері приміщення, в якому буде встановлено холодильник, недостатньо широкі, зверніться до сервісної служби; її співробітники допоможуть зняти двері з холодильника та пронести його боком.

1. Встановлюйте холодильник у місці, зручному для його використання.

2. Холодильник має знаходитися в місці, віддаленому від джерела тепла, підвищеної вологості та прямих сонячних променів.

3. Для ефективнішої роботи необхідно забезпечити гарну вентиляцію навколо холодильника. Якщо холодильник встановлюється в ніші стіни, мінімальна відстань має бути 5 см до стелі та 5 см до стіни. Якщо на підлозі лежить килим, треба підняти холодильник на 2,5 см над рівнем підлоги.

4. Холодильник має стояти на рівній поверхні, щоб не виникало трясіння.

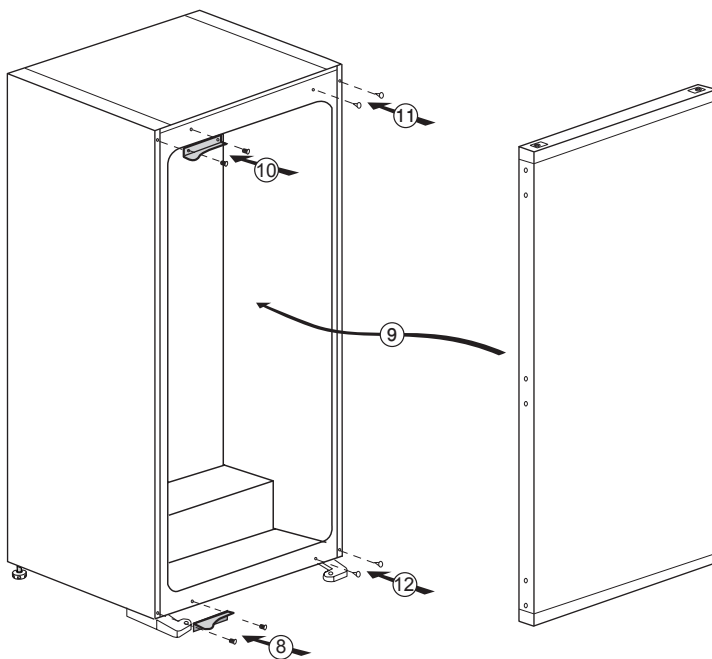
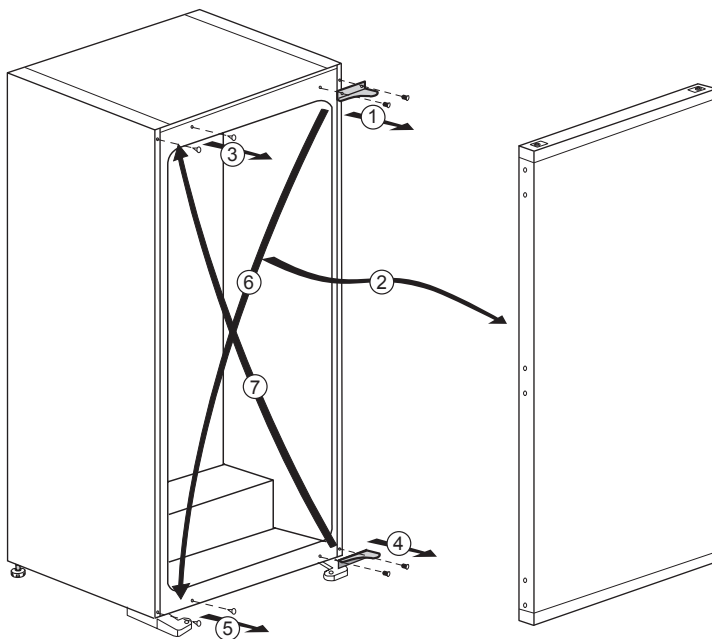
5. Температура приміщення, в якому знаходиться холодильник, не має бути менше за 10°C.

## Заміна лампи внутрішнього освітлення

Для заміни лампи освітлення холодильника зверніться до авторизованого сервісного центру. Ламп(и) з цього пристрою не призначена(і) для освітлення кімнати. Призначення цієї лампи - полегшити розташування продуктів у холодильнику / морозильнику безпечним та зручним чином. Лампи, що використовуються у цьому пристрої, повинні витримувати важкі умови експлуатації, такі як температура нижче -20°C.

## Перенавішування дверцят

Виконуйте у числовому порядку.



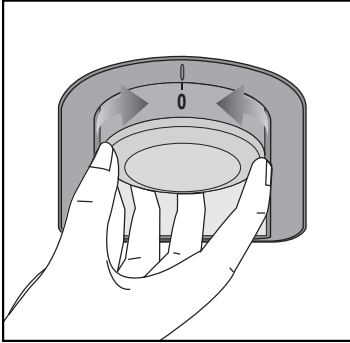
## 4 Підготовка

---

- Холодильник слід встановити на відстані щонайменше 30 см від джерел тепла, таких як жарівниці, плити, батареї центрального опалення й печі, а також не ближче 5 см від електричних духових шаф, у місцях, куди не духових шаф пічопряме сонячне світло.
- Температура повітря в приміщенні, де встановлюється холодильник, має бути не менше 10°C. Використовувати холодильник в умовах нижчої температури не рекомендується з міркувань його низької ефективності.
- Упевніться в тому, що всередині холодильник старанно вимитий.
- Якщо два холодильники встановлюються поряд, між ними має бути відстань не менше 2 см.
- При першому увімкненні холодильника, протягом перших шести годин роботи дотримуйтеся наступних інструкцій.
- Не відчиняйте часто дверцята.
- Холодильник мусить працювати порожнім, без продуктів усередині.
- Не відключайте холодильник від електромережі. Якщо сталося порушення електропостачання, див. застереження у розділі "Рекомендації з усунення несправностей".
- Оригінальну упаковку та плівку слід зберегти для транспортування або переміщення холодильника в майбутньому.

## 5 Користування холодильником

### Регулювання робочої температури



Робоча температура регулюється регулятором температури

Тепла ← ● 1 ● 2 ● 3 ● 4 ● 5 → Холодна  
(або) Хв. Макс.

**1 = Режим найменшого охолодження** (найтепліший)

**5 = Режим найбільшого охолодження** (найхолодніший)  
(або)

**Хв. = Режим найменшого охолодження** (найвища температура)

**Макс. = Режим найбільшого охолодження** (найнижча температура)

Середня температура всередині холодильника повинна дорівнювати приблизно +5°C. Виберіть потрібний режим охолодження. Зауважте, що температура буде різнитися залежно від місця в охолоджуваному об'ємі.

Найнижча температура – безпосередньо над відділенням для овочів. Температура всередині залежить також від зовнішньої температури, від того, як часто відкриваються дверцята, а також від кількості продуктів у холодильнику. Часте відчинення дверцят призводить до підвищення температури всередині приладу. Тому рекомендується зачиняти дверцята якомога швидше.

### Використання внутрішніх відділень

Полиці корпусу: відстань між полицями за необхідності регулюється.

Контейнер для овочів і фруктів: фрукти й овочі можуть зберігатись у цьому відділенні протягом тривалого часу без гниття.

Полиця для пляшок: на цих полицях можна покласти пляшки, банки й бляшанки.

### Охолодження

#### Зберігання продуктів

Холодильне відділення призначене для короткострокового зберігання свіжих продуктів та напоїв. Зберігайте молочні продукти у відповідному відділенні холодильника.

Пляшки можна зберігати у пляшкотримачі або на полиці для пляшок, що розташована на дверцятах.

Сире м'ясо найкраще зберігати у поліетиленовій торбині, у відділенні, розташованому найнижче.

Перш ніж класти гарячі продукти або напої у холодильник, дайте їм охолонути до кімнатної температури.

- Увага!

Міцні алкогольні напої потрібно зберігати у щільно закритих пляшках, поставлених вертикально.

- Увага!

Не зберігайте у холодильнику вибухових речовин та речей, що містять легкозаймисті гази під тиском (банки з консервованими вершками, аерозолі і т.п.) Це створює небезпеку вибухів.

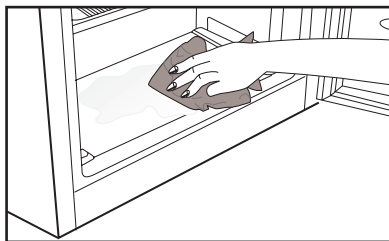
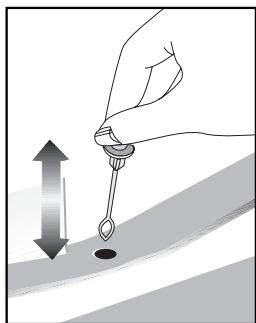
## Розморожування

Холодильне відділення розморожується автоматично. Тала вода проходить через канал стоку в збірний контейнер у задній частині приладу.

Під час розморожування на задній поверхні холодильника утворюються краплі води, причиною чого є ви-парник.

Після розмороження краплі, що не впали, можуть замерзнути. Зніміть їх шматком тканини, змоченим у теплій воді.

Час від часу перевіряйте потік талої води. Канал стоку може випадково забитися.



## Припинення роботи приладу

Регулятор термостата має позначку "0":

- Щоб припинити роботу приладу, слід повернути регулятор термостата у положення "0" (нуль). Прилад увімкнеться знову лише тоді, коли регулятор термостата буде встановлено у положення "1" або інше робоче положення.

Регулятор термостата має позначку "min":

- Щоб припинити роботу приладу, слід від'єднати його від електромережі.

## 6 Догляд та очищення

- ⚠ Не використовуйте бензин чи подібні матеріали для чищення.
- ⚠ Перед виконанням чищення рекомендуємо від'єднати холодильник від електромережі.
- і Заборонено використовувати для чистки гострі абразивні засоби, мило, засоби для видалення плям, м'які засоби та поліролі на основі воску.
- і Промийте шафу холодильника ледь теплою водою та витріть насухо.
- і Для мийки відділень усередині холодильника користуйтеся ганчіркою, змоченою у розчині, який складається з чайної ложки питної соди на півлітра води, потім витріть їх насухо.
- ⚠ Слідкуйте, щоб вода не потрапила до корпусу лампочки та в інші електричні прилади.
- ⚠ Якщо прилад не буде використовуватися протягом тривалого часу, вимкніть його з електромережі, звільніть від усіх продуктів, протріть і залишіть дверцята відчиненими.
- і Регулярно перевіряйте, чи не забруднений шматочками їжі ущільнювач на дверях.
- і Для знімання лотка у дверях розвантажте його, а потім просто підштовхніть угору.

- і У жодному разі не використовуйте засоби для чищення чи воду, що містять хлор, для чищення зовнішніх поверхонь або хромованих деталей виробу. Хлор викликає корозію таких металевих поверхонь.

### Захист пластикових поверхонь

- і Не зберігайте рідкі олії чи продукти з додаванням олії в холодильник у відкритому вигляді чи негерметичній упаковці, вони можуть зіпсувати пластикові поверхні холодильника. У разі потрапляння олії на пластикову поверхню очистіть цю частину поверхні теплою водою.



## 7 Рекомендації з усунення несправностей

Перед тим як звертатися до авторизованої сервісної служби, ознайомтеся з наведеною інформацією. Це допоможе вам заощадити гроші й час. Наведений нижче перелік містить найчастіші несправності, не викликані зіпсованим обладнанням чи матеріалом. Деякі з функцій, що наведені тут, можуть бути відсутні у вашому виробі.

### Холодильник не працює.

- Чи під'єднаний холодильник до мережі правильним чином? Вставте штепсель до настінної розетки.
- Чи справна запобіжна пробка, до якої підключено холодильник, чи не перегорів запобіжник? Перевірте запобіжник.

### Конденсація на бічній стінці холодильного відділення (MULTI ZONE, COOL CONTROL і FLEXI ZONE).

- Дуже низька температура навколишнього середовища. Дверцята холодильника часто відчиняють і зачиняють. Висока вологість навколишнього середовища. Зберігання продуктів, які містять рідину, у відкритих контейнерах. Нещільно зачинені дверцята. Перемикніть термостат на нижчу температуру.
- Не тримайте дверцята відчиненими або відчиняйте їх рідше.
- Накривайте продукти, які зберігаються у відкритих контейнерах, відповідним матеріалом.
- Витріть конденсат сухою тканиною та перевірте, чи з'являється він знову.

### Компресор не працює.

- Термозахист компресора може бути пошкоджений в результаті несподіваного збою енергопостачання чи увімкнення-вимкнення, оскільки тиск хладагенту в системі охолодження не встиг збалансуватися. Холодильник почне працювати орієнтовно через 6 хвилин. Якщо після закінчення цього періоду холодильник не запрацює, зверніться до сервісної служби.
- Холодильник перебуває у стані розморожування. Для холодильника, що розморожується автоматично, це цілком нормально. Розморожування відбувається періодично.
- Холодильник не під'єднано до мережі. Переконайтеся, що вилка належним чином вставлена в розетку.
- Чи правильно відрегульовано температуру?
- Можливо, відключена подача електроенергії.

Холодильник вмикається занадто часто або працює занадто довго.

- Ваш новий холодильник може бути ширшим за попередній. Це цілком нормально. Великі холодильники працюють протягом тривалішого часу.
- Температура навколишнього середовища може бути зависокою. Це цілком нормально.
- Холодильник міг бути нещодавно увімкнений чи завантажений продуктами. Повне охолодження холодильника може тривати на кілька годин довше.
- Можливо, у холодильник нещодавно завантажили велику кількість гарячих продуктів. Гарячі продукти спричиняють довшу роботу холодильника з метою досягнення потрібної температури зберігання.
- Можливо, двері часто відчиняють, або вони тривалий час були нещільно зачинені. Тепле повітря, що потрапляє до холодильника, спричиняє його довшу роботу. Відчиняйте дверцята рідше.
- Нещільно зачинені двері холодильного чи морозильного відділень. Перевірте, чи щільно зачинені дверцята.
- Холодильник відрегульовано на дуже низьку температуру. Відрегулюйте температуру холодильного відділення до вищого значення, поки не буде досягнута потрібна температура.
- Ущільнювач дверцята холодильного чи морозильного відділень, можливо, забруднений, зношений, зіпсутий або неправильно встановлений. Ущільнювач дверей треба почистити чи замінити. Пошкоджений ущільнювач примушує холодильник працювати довше для того, щоб підтримувати температуру.

Температура морозильного відділення занизька, тоді як температура холодильника достатня.

- Морозильне відділення відрегульовано на дуже низьку температуру. Відрегулюйте температуру морозильного відділення до вищого значення та перевірте.

Температура холодильника занизька, тоді як температура морозильного відділення достатня.

- Холодильник налаштовано на дуже низьку температуру. Відрегулюйте температуру холодильника до вищого значення та перевірте.

Продукти, що зберігаються у холодильному відділенні, заморожуються.

- Холодильник налаштовано на дуже низьку температуру. Відрегулюйте температуру холодильника до вищого значення та перевірте.

<b>Температура у холодильному чи морозильному відділеннях зависока.</b>
<ul style="list-style-type: none"> <li>• Холодильник налаштовано на дуже високу температуру. Температура холодильного відділення впливає на температуру морозильного. Змініть температуру холодильника чи морозильника, поки не буде досягнуто потрібне значення.</li> <li>• Можливо, дверцята часто відчиняють, або вони тривалий час були нещільно зачинені; відчиняйте дверцята рідше.</li> <li>• Можливо, дверцята холодильника прочинені; зачиніть їх повністю.</li> <li>• Можливо, у холодильник нещодавно завантажили велику кількість гарячих продуктів. Заждіть, поки холодильник чи морозильник досягне потрібної температури.</li> <li>• Можливо, холодильник нещодавно увімкнули. На повне охолодження холодильника буде потрібен час.</li> </ul>
<b>Рівень робочого шуму підвищується під час роботи холодильника.</b>
<ul style="list-style-type: none"> <li>• Робочі характеристики холодильника можуть змінюватися у залежності від температури навколишнього середовища. Це цілком нормально і не свідчить про несправність.</li> </ul>
<b>Вібрації або шум.</b>
<ul style="list-style-type: none"> <li>• Нерівна чи нестійка підлога. При повільному переміщенні холодильник дрижить. Переконайтеся, що підлога рівна і може витримати вагу холодильника.</li> <li>• Шум може бути спричинений предметами, що покладені зверху на холодильник. Сторонні предмети слід прибрати з холодильника.</li> </ul>
<b>З холодильника лунає шум, наче ллється чи розбризкується рідина.</b>
<ul style="list-style-type: none"> <li>• Рідини і гази протікають у системі охолодження холодильника відповідно до принципу його роботи. Це цілком нормально і не свідчить про несправність.</li> </ul>
<b>Чується шум, наче дме вітер.</b>
<ul style="list-style-type: none"> <li>• Для охолодження холодильника використовуються вентилятори. Це цілком нормально і не свідчить про несправність.</li> </ul>
<b>Конденсат на внутрішніх стінках холодильника.</b>
<ul style="list-style-type: none"> <li>• Спеотна й волога погода сприяє утворенню льоду та появі конденсату. Це цілком нормально і не свідчить про несправність.</li> <li>• Можливо, дверцята холодильника прочинені; зачиніть їх повністю.</li> <li>• Можливо, дверцята часто відчиняють, або вони тривалий час були нещільно зачинені; відчиняйте дверцята рідше.</li> </ul>
<b>Поява вологи зовні холодильника чи між стулками дверей.</b>
<ul style="list-style-type: none"> <li>• Повітря вологе; при вологій погоді це цілком нормально. Коли волога зменшиться, конденсація зникне.</li> </ul>
<b>Поганий запах всередині холодильника.</b>
<ul style="list-style-type: none"> <li>• Слідкуйте за тим, щоб холодильник усередині був чистим. Протріть внутрішню частину холодильника губкою, змоченою в теплій чи газованій воді.</li> <li>• Деякі види упаковки чи контейнерів для зберігання також можуть бути джерелом запаху. Використовуйте інший контейнер чи матеріал для упакування.</li> </ul>
<b>Дверцята не зачиняються.</b>
<ul style="list-style-type: none"> <li>• Продукти можуть заважати зачиненню дверцят. Перекладіть продукти, які заважають зачиненню дверцят.</li> <li>• Можливо, холодильник стоїть не зовсім вертикально. Це може викликати дрижання при найменшому русі. Відрегулюйте гвинт регулювання висоти.</li> <li>• Нерівна чи неміцна підлога. Переконайтеся, що підлога рівна і може витримати вагу холодильника.</li> </ul>
<b>Контейнери злиплися.</b>
<ul style="list-style-type: none"> <li>• Можливо, продукти торкаються верхньої частини контейнера. Перекладіть продукти в контейнері.</li> </ul>

