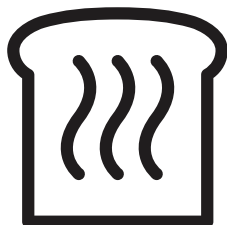




Toaster

User Manual



TAM 4220 W

EN / AR



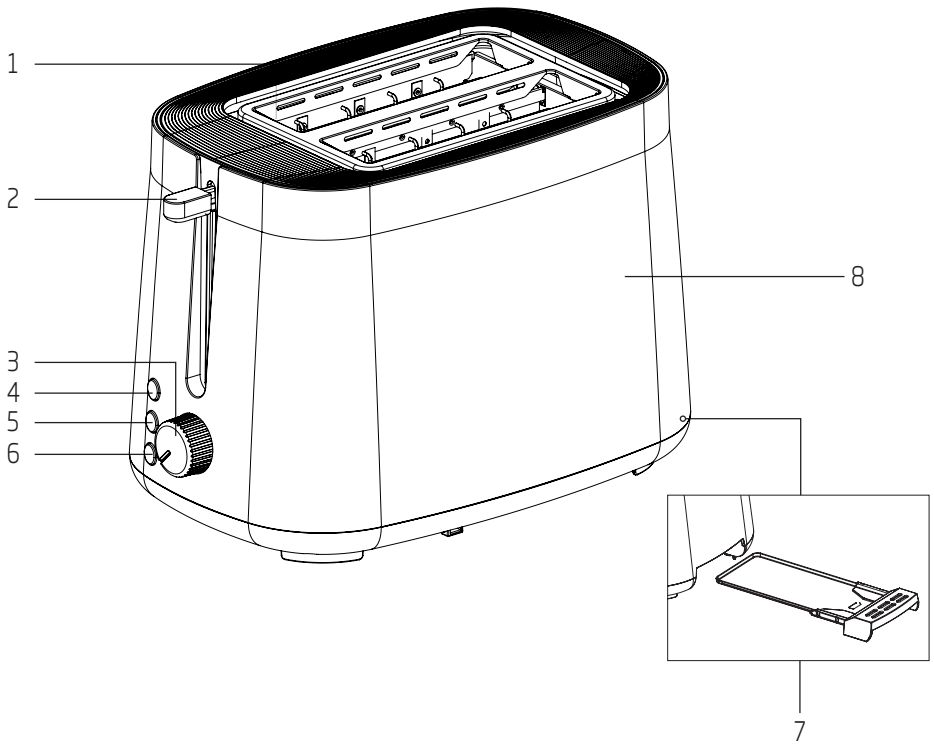
01M-8914443200-0823-05

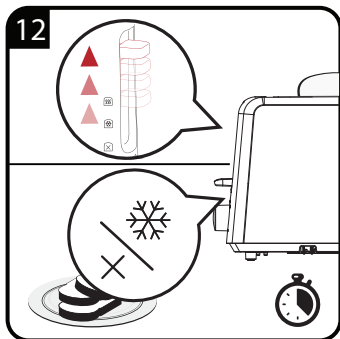
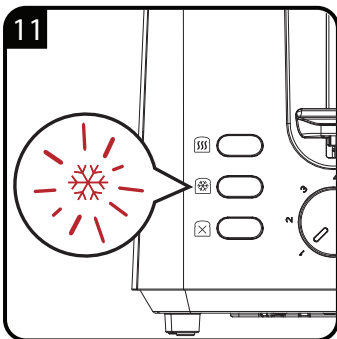
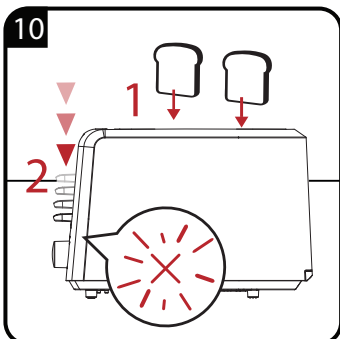
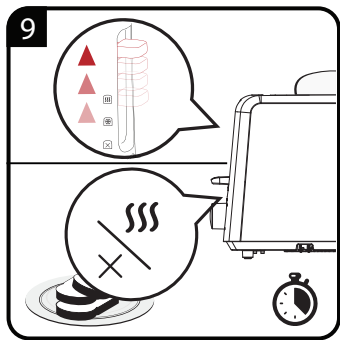
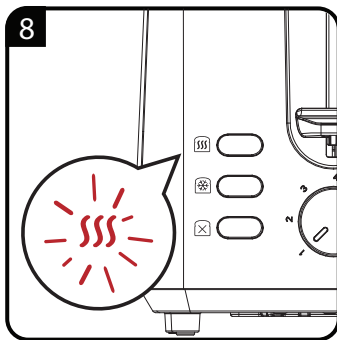
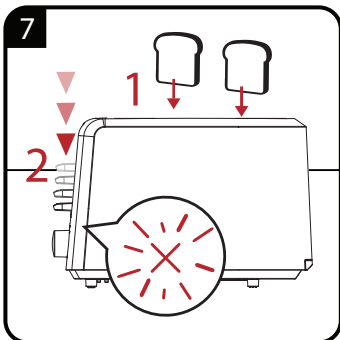
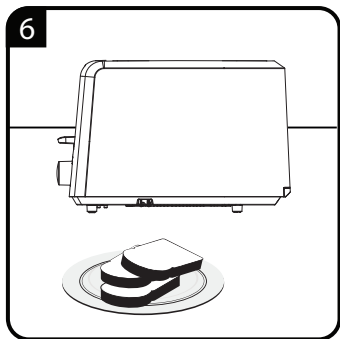
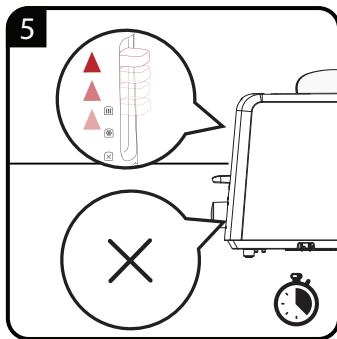
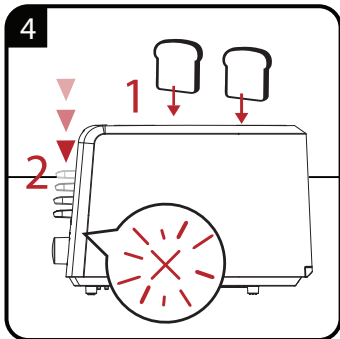
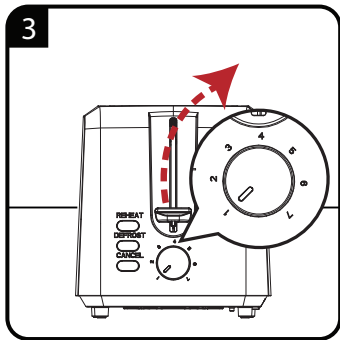
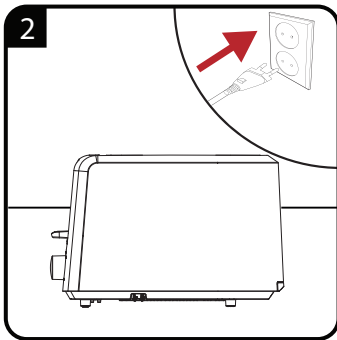
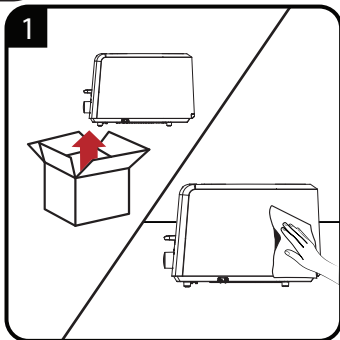


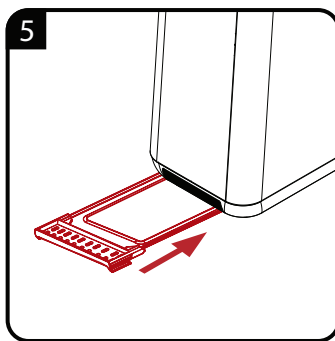
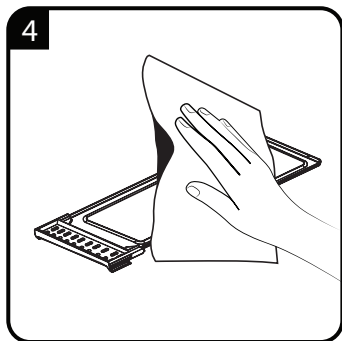
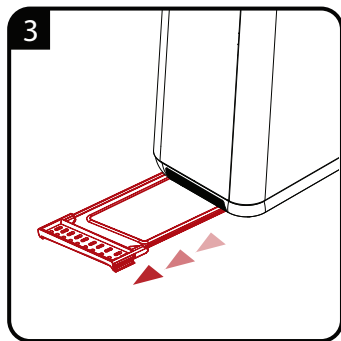
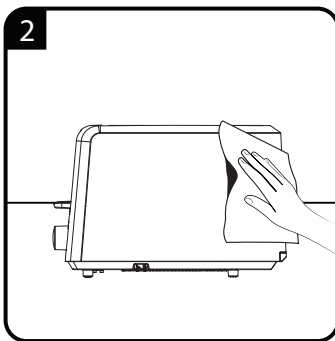
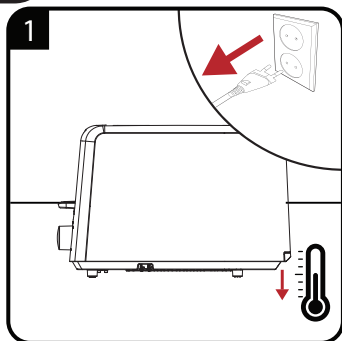
CONTENTS

ENGLISH

06-14







EN	OPERATION	CLEANING AND CARE
AR	التشغيل	التنظيف والعناية

Please read this user manual first!

Dear Customers,

Thank you for selecting an Beko product. We hope that you get the best results from your product which has been manufactured with high quality and state-of-the-art technology. Therefore, please read this entire user manual and all other accompanying documents carefully before using the product and keep it as a reference for future use. If you handover the product to someone else, give the user manual as well. Follow all warnings and information in the user manual.

1. Bread slot
2. Start lever
3. Browning control
4. Reheat button
5. Defrost button
6. Stop button
7. Crumb tray
8. Housing

Meanings of the symbols

Following symbols are used in the various section of this manual:



Important information and useful hints about usage.



WARNING: Warnings for dangerous situations concerning the safety of life and property.



WARNING: Warning for hot surfaces.



Suitable for contact with food.



Do not immerse the appliance in water.

Technical data

Power supply: 220-240 V~, 50-60 Hz

Power: 800 W

Technical and design modifications reserved.

The values which are declared in the markings affixed on your appliance or the other printed documents supplied with it represent the values which were obtained in the laboratories pursuant to the pertinent standards. These values may vary according to the usage of the appliance and ambient conditions.



**RECYCLED &
RECYCLABLE
PAPER**

This chapter contains safety instructions that will help protect from risk of personal injury or material damage. Failure to follow these instructions will void the granted warranty.

1.1 General safety

- This appliance complies with the international safety standards.
- This appliance can be used by children who are at the age of 8 and above and by people who have reduced physical, perceptual or mental abilities or by people who are deficient in terms of experience and knowledge as long as they are supervised and given the instructions regarding the safe use of the appliance and dangers encountered. Children should not play with the appliance.
- Cleaning and maintenance should not be performed by children unless they are older than 8 years old and supervised.
- Keep the appliance and its power cable so that they are inaccessible by children under 8 years old.
- This appliance is intended to be used in household only. It is not designed for professional use in.
- Do not use the appliance if the power cable or the appliance itself is damaged. Contact an authorised service.
- Your mains power supply should comply with the information supplied on the rating plate of the appliance.
- For additional protection, this appliance should be connected to a household residual current device with a rating of 30 mA maximum.
- Use the appliance with a grounded outlet only.
- Do not use the appliance with an extension cord.
- Prevent damage to the power cord by not squeezing, bending, or rubbing it on sharp edges.
- Do not touch the plug of the appliance with damp or wet hands.
- Do not unplug the appliance by pulling the power cable.
- Do not immerse the appliance or its cable in water.
- Do not leave the appliance unattended while it is plugged in.

1

Important instructions for safety and environment

- For toasters, they shall include details on how to remove breadcrumbs, where applicable.
- This appliance is intended to be used in household and similar applications such as;
 - staff kitchen areas in shops, offices and other working environments;
 - farm houses,
 - by clients in hotels, motels and other residential type environments;
 - bed and breakfast type environments.
- Before cleaning, unplug from the appliance and let the appliance cool down completely.
- Wipe the outside with soft dry cloth, never use metal polish.
- Pull out crumb tray at the bottom of toaster and empty it. If toaster is used frequently, accumulated bread crumbs should be removed at least once a week. Make sure the crumb tray is completely closed before using the toaster again.
- When not use or storage, the power cord may be wound under the bottom of toaster.
- Exterior surface gets hot while the appliance is in use. Do not touch hot surfaces to avoid risk of burning.
- Do not leave metal cooking utensils and items on cooking plates.
- Operate and store the appliance on a stable surface.
- Do not attempt to dismantle the appliance.
- Only use the original parts or parts recommended by the manufacturer.
- Unplug the appliance before cleaning and let it completely dry after cleaning.
- The appliance is not suitable for outdoor use.
- The bread may burn, therefore do not use the toaster near or below combustible material, such as curtains
- Do not use the appliance in or near the areas where combustible or inflammable places and materials exist.
- Do not operate the appliances are not intended to be operated by means of an external timer or separate remote-control system.

1

Important instructions for safety and environment

- If you keep the packaging materials, store them out of the reach of children.
- Allow the appliance to cool before storing it in a cupboard, on a shelf and etc.
- Do not put bread on any plastic part of the appliance.
- Since temperatures are perceived differently by different people, this device should be used with caution. Hold the appliance exclusively on surfaces intended to hold and use heat protection measures such as heat protection gloves or pot holders. Areas which are not intended to be touched must be given sufficient time to cool.
- The heated rolls can only be touched when the appliance has cooled down to room temperature.
- If the connecting cable is damaged, it should only be replaced by a service agent recommended by the manufacturer in order to prevent any danger! Please contact the manufacturer or his customer service.

1.2 Compliance with the WEEE Directive and Disposing of the Waste Product:

This product complies with EU WEEE Directive (2012/19/EU). This product bears a classification symbol for waste electrical and electronic equipment (WEEE).



This symbol indicates that this product shall not be disposed with other household wastes at the end of its service life. Used device must be returned to official collection point for recycling of electrical and electronic devices. To find these

collection systems please contact to your local authorities or retailer where the product was purchased. Each household performs important role in recovering and recycling of old appliance. Appropriate disposal of used appliance helps prevent potential negative consequences for the environment and human health.

1.3 Compliance with RoHS Directive

The product you have purchased complies with EU RoHS Directive (2011/65/EU). It does not contain harmful and prohibited materials specified in the Directive.

1.4 Package information



Packaging materials of the product are manufactured from recyclable materials in accordance with our National Environment Regulations. Do not dispose of the packaging materials together with the domestic or other wastes. Take them to the packaging material collection points designated by the local authorities.

1

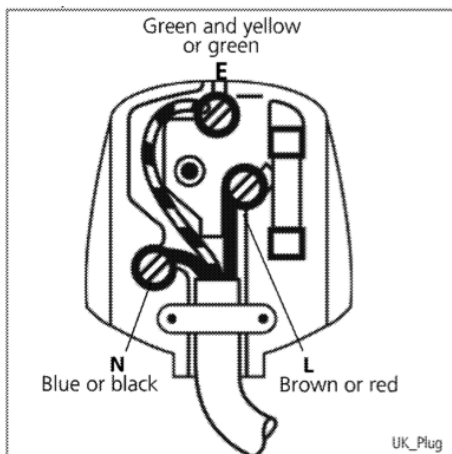
Important instructions for safety and environment

1.5 Plug Wiring

The moulded plug on this appliance incorporates a 13 A fuse. Should the fuse need to be replaced an ASTA approved BS1362 fuse of the same rating must be used. Do not forget to refit the fuse cover. In the event of losing the fuse cover, the plug must not be used until a replacement fuse cover has been fitted. Colour of the replacement fuse cover must be the same colour as that visible on the pin face of the plug. Fuse covers are available from any good electrical store.

• Fiting a different plug

- As the colours of the wires in the mains lead of this appliance may not correspond with the coloured markings identifying the terminals on your plug, proceed as follows:
- Brown cable = L (Live)
- Blue cable = N (Neutral)
- Green/yellow cable must be connected to ground (E) \equiv line
- With the alternative plugs a 13 A fuse must be fitted either in the plug or adaptore or in the main fuse box. If in doubt contact a qualified electrician.



2 Operation



When using the appliance for the first time, smoke can develop due to production residues. However, this does not mean the appliance is defective. The first time you switch it on use the appliance as you normally would but without bread. It is recommended to use the medium setting of the browning control (3). Ensure for proper room ventilation.



Pushing 1 from the browning control (3) will give the lightest degree of browning and pushing 7 the darkest.



The browning degree can vary depending on the type of bread.



When toasting several slices of bread consecutively, the toaster will become hotter and therefore the bread will gradually become darker. Therefore select an appropriate browning degree.



The browning degree of one slice is darker than two slices, although the browning control (3) is set to the same level.



If the power plug is not connected to the wall socket, the start lever (2) does not snap into place.



The degree of browning can also be adjusted during the toasting process with the browning control (3).



To cancel the toasting process before it has finished, press the stop button (6). The start lever (2) springs back up and the toast slices can be taken out of the toaster.



After the start lever (2) springs back up, you can use the high-lift function by pushing the start lever (2) upwards.



Be very careful when taking the toast slices out of the toaster as the metal parts of the toaster and also the bread can become very hot.



If toast slices get stuck in the toaster, switch the toaster off immediately by pressing the stop button (6). Pull the power plug out of the wall socket. Let the toaster cool down completely. Carefully try to take the bread out of the toaster without damaging the sensitive heating elements and other parts. Do not use any electroconductive objects to remove the bread from the toaster.



When the defrost button (5) is pressed, the toasting process takes longer than with normal toasting.



To cancel the toasting process before it has finished, press the stop button (6). The start lever (2) springs back up and the toast slices can be taken out of the toaster.



After the start lever (2) springs back up, you can use high-lift function by pushing the start lever (2) upwards.



Be very careful when taking the toast slices out of the toaster as the metal parts of the toaster and also the bread can become very hot.

2 Operation



To cancel the toasting process before it has finished, press the stop button (6). The start lever (2) springs back up and the toast slices can be taken out of the toaster.



After the start lever (2) springs back up, you can use high-lift function by pushing the start lever (2) upwards.



Be very careful when taking the toast slices out of the toaster as the metal parts of the toaster and also the bread can become very hot.

3 Information

3.1 Cleaning and care



Never use petrol solvents, abrasive cleaners, metal objects or hard brushes to clean the appliance.



Never put the appliance or power cord in water or any other liquids.



Before using the appliance after cleaning, dry all parts carefully using a soft towel.

3.2 Storage

- If you do not plan to use the appliance for a long period of time, please store it carefully.
- Make sure the appliance is unplugged, cooled down and completely dry.
- Wrap the power cord around the cable coil on the bottom of the toaster.
- Store the appliance in a cool, dry place.
- Make sure the appliance is kept out of the reach of children.

3.3 Handling and transportation

- During handling and transportation, carry the appliance in its original packaging. The packaging of the appliance protects it against physical damages.
- Do not place heavy loads on the appliance or the packaging. The appliance may be damaged.
- Dropping the appliance will render it non-operational or cause permanent damage.



For commissioning, general use and cleaning, please observe the instructions on pages 4-5 of this operating manual.

Product Guarantee

12 months breakdown and repair guarantee

Guarantor: **Beko plc, 1 Greenhill Crescent, Watford, Hertfordshire. WD18 8UF**

The guarantee does not in any way diminish your statutory or legal rights.

Your **appliance** has the benefit of our manufacturer's guarantee which covers the product for 12 months from the date of original purchase.

This gives you reassurance that if within that time, your **appliance** is proven to be defective because of either workmanship or materials, we will at our discretion either repair or replace your **appliance**.

The **appliance** must be correctly installed, located and operated in accordance with the instructions contained in the user manual. The guarantor disclaims any liability for accidental or consequential damage.

The Guarantee is subject to the following conditions:

- Documentary proof of the original purchase date is provided.
- The appliance has been installed and operated correctly and in accordance with our operating and maintenance instructions.
- The appliance is used only on the electricity supply on the rating plate.
- The appliance has only been used for normal domestic purposes.
- The appliance has not been altered, serviced, dismantled or otherwise interfered with by any person.
- The appliance is used in the United Kingdom or Republic of Ireland.
- Any parts removed during repair work or any product that has been replaced becomes our property.
- The guarantee is not transferrable if the product is resold.

The Guarantee does not cover:

- Transit, installation or delivery damage.
- Accidental damage.
- Misuse or abuse.
- Replacement of any consumable item or accessories. These include but are not limited to: plugs, cables, light bulbs, knobs, filters and flaps.
- Repairs or replacements required as a result of unauthorised repairs or inexperienced installation that fails to meet the requirements contained in the user guide or instruction book.
- Repairs to products used in commercial or non-residential household premises.

How to obtain after sales service, help or general advice

Please keep your purchase receipt or other proof of purchase in a safe place as you will need to show us this document if your product requires attention within the guarantee period.

Please also record your product details below, which will allow you to access our services more quickly and help us identify your product. The model number is printed on the front of the user guide and the serial and model number is shown on your products rating plate.




Model number	Serial number	Purchased from	Date of purchase

Please call our UK based Customer Service department if you need help or advice from us:

United Kingdom and Northern Ireland: **0333 207 9710**
Republic of Ireland: **01 862 3411**
You can also contact us through our website: **www.beko.co.uk**

Arçelik A.Ş.
Karaağaç Cad. No: 2-6, 34445
Sütlüce, İstanbul, Türkiye
www.beko.com

3.1 التنظيف والعناية

<p>تحذير: يحظر نهائيًا استخدام البنزين أو المذيبات أو المنظفات الكاشطة أو الأجسام المعدنية أو الفرش الصلبة في تنظيف الجهاز.</p>	
<p>تحذير: لا تضع الجهاز، أو قاعدته، أو كابل الطاقة في المياه أو أي سائل آخر.</p>	
<p>قبل استخدام الجهاز بعد التنظيف، عليك تجفيف جميع الأجزاء بعناية باستخدام منشفة.</p>	

3.2 التخزين

- إذا لم تخطط لاستخدام الجهاز لفترة طويلة من الوقت، يرجى تخزينه بعناية.
- تأكد من نزع قابس الجهاز وتركه حتى يبرد ويجف تمامًا.
- عليك لف كابل الطاقة حول لفة الكابل أسفل المحمصة.
- عليك تخزين الجهاز في مكان بارد وجاف.
- حافظ على الجهاز دائماً بعيداً عن متناول أيدي الأطفال.

3.3 التعامل والنقل

- أثناء التعامل والنقل فقم بحمل الجهاز في عبوتها الأصلية. الهدف من عبوة تغليف الجهاز هو حمايته من أي أضرار مادية.
- لا تضع أحمال ثقيلة على الجهاز أو العبوة. يمكن أن يتعرض الجهاز للنتف.
- يؤدي إسقاط الجهاز إلى عدم صلاحيته للتشغيل أو يتسبب في إلحاق أضرار دائمة.

يرجى الاطلاع على صفحة الغلاف من دليل المستخدم عند الاستخدام الأول، وأقسام الاستخدام العام والتنظيف.



تحذير: كن على حذر بالغ عند إخراج شرائح الخبز من المحمصة حيث أن الأجزاء المعدنية للمحمصة وأيضاً الخبز من الممكن أن يكون ساخن للغاية.



إذا انحسرت شرائح الخبز في المحمصة، أوقف عمل المحمصة تماماً بالضغط على زر الإيقاف (6). اسحب القابس من مقبس الحائط. اترك المحمصة لتبرد تماماً. حاول بحذر إخراج الخبز من المحمصة بدون إتلاف عناصر التسخين الحساسة والأجزاء الأخرى. لا تستخدم أي أجسام موصلة كهربائية لإزالة الخبز من المحمصة.



عند الضغط على زر إزالة الثلج (5) يستغرق عملية إزالة الثلج أطول من التحميص العادي.



لإلغاء عملية التحميص قبل انتهائها، اضغط على زر الإيقاف (6). سيعود ذراع البدء (2) إلى أعلى مرة أخرى ويمكن إخراج الشرائح المحمصة من المحمصة.



بعد أن يعود ذراع البدء (2) مرة أخرى، يمكنك استخدام وظيفة الرفع العالي بالضغط على ذراع البدء (2) إلى أعلى.



تحذير: كن على حذر بالغ عند إخراج شرائح الخبز من المحمصة حيث أن الأجزاء المعدنية للمحمصة وأيضاً الخبز من الممكن أن يكون ساخن للغاية.



لإلغاء عملية التحميص قبل انتهائها، اضغط على زر الإيقاف (6). سيعود ذراع البدء (2) إلى أعلى مرة أخرى ويمكن إخراج الشرائح المحمصة من المحمصة.



بعد أن يعود ذراع البدء (2) مرة أخرى، يمكنك استخدام وظيفة الرفع العالي بالضغط على ذراع البدء (2) إلى أعلى.



كن على حذر بالغ عند إخراج شرائح الخبز من المحمصة حيث أن الأجزاء المعدنية للمحمصة وأيضاً الخبز من الممكن أن يكون ساخن للغاية.



عند الاستخدام للمرة الأولى، من الممكن أن يخرج بخار بسبب بقايا الإنتاج. بيد أن ذلك لا يعني ذلك أن الجهاز معطوب. في المرة الأولى التي تقوم فيها بتشغيل الجهاز، استخدم الجهاز على النحو المعتاد، ولكن بدون خبز. يوصى باستخدام إعدادات متوسطة للتحكم في التحميص (3). تأكد من التهوية الجيدة للحجرة.



يوفر الضغط على رقم 1 من زر التحكم في التحميص (3) درجة خفيفة من التحميص، بينما يؤدي الضغط على 7 للحصول على أقصى درجة تحميص.



يمكن أن تتفاوت درجة التحميص وفقاً لنوع الخبز.



عند تحميص عدة شرائح من الخبز في وقت واحد، ستصبح المحمصة أكثر سخونة وبالتالي سيصبح الخبز أكثر اسمراراً. وعلى ذلك حدد درجة التحميص المناسبة.



تكون درجة تحميص شريحة واحدة أقوى من شريحتين، على الرغم من ضبط زر التحكم في التحميص (3) عند المستوى ذاته.



إذا لم يكن قابس الطاقة متصلاً في المقبس الجداري، فلن ينبت ذراع البدء (2) في مكانه.



يمكن ضبط درجة التحميص أثناء عمل المحمصة عبر التحكم في التحميص (3).



لإلغاء عملية التحميص قبل انتهائها، اضغط على زر الإيقاف (6). سيعود ذراع البدء (2) إلى أعلى مرة أخرى ويمكن إخراج الشرائح المحمصة من المحمصة.



بعد أن يعود ذراع البدء (2) مرة أخرى، يمكنك استخدام وظيفة الرفع العالي بالضغط على ذراع البدء (2) إلى أعلى.

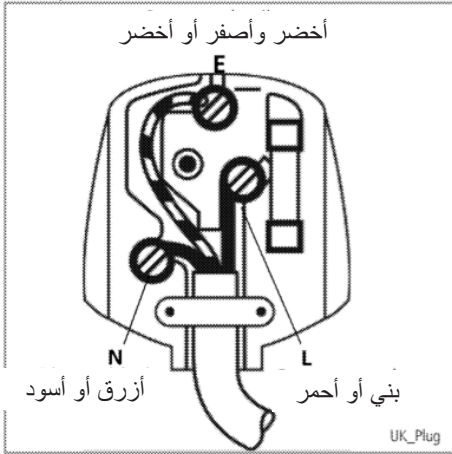


توصيل القابس

يشتمل القابس المدمج في هذا الجهاز على صمام كهربائي 10 أمبير. في حالة الحاجة إلى استبدال الصمام الكهربائي يجب استبداله بصمام كهربائي BS1362 بنفس الجهد. لا تنسَ إعادة ضبط غطاء الصمام الكهربائي. وفي حالة فقد غطاء الصمام الكهربائي، لا يجب استخدام القابس إلى أن يتم تركيب غطاء صمام كهربائي بديل. ينبغي أن يكون لون غطاء الصمام الكهربائي البديل هو نفس اللون الظاهر على وجه السنون لغطاء الصمام الكهربائي للقابس، وتتوافر الأغشية في جميع المتاجر الكهربائية.

• تركيب قابس مختلف

- حيث قد لا تتوافق ألوان الأسلاك في سلك التيار الرئيسي لهذا الجهاز مع ملصقات الألوان المحددة للأطراف في القابس الخاص بك، نفذ ما يلي:
- كابل بني L = (موجب)
- كابل أزرق N = (محايد)
- يجب أن يكون الكابل الأخضر / الأصفر متصلاً بالخط الأرضي (E)
- عند تركيب قوايس بديلة ينبغي أيضاً تركيب صمام كهربائي 10 أمبير أو محول كهربائي في صندوق الصمام الكهربائي الرئيسي. إذا كان لديك شك فتواصل مع فني كهربائي مؤهل.



1.2 الالتزام بالتشريعات الخاصة بنفايات المعدات الكهربائية والإلكترونية والتخلص من نفايات المنتجات:

يتوافق هذا المنتج مع التشريعات الخاصة بنفايات المعدات الكهربائية والإلكترونية للاتحاد الأوروبي (2012/19/EU). يحمل هذا المنتج رمزا تصنيفياً لنفايات المعدات الكهربائية والإلكترونية (WEEE).

تم تصنيع الجهاز من أجزاء ومواد عالية الجودة يمكن إعادة استخدامها وهي مناسبة لإعادة التدوير. لا تتخلص من المنتج الذي تنوي التخلص منه مع النفايات المنزلية أو غيرها من النفايات في نهاية فترة استخدامه. بل عليك أخذه إلى مركز التجميع لإعادة تدوير الأجهزة الكهربائية والإلكترونية. يرجى استشارة السلطات المحلية لديك لمعرفة مراكز التجميع هذه.



1.3 التوافق مع توجيه RoHS

المنتج الذي اشترينته متوافق مع توجيه الاتحاد الأوروبي RoHS (2011/65/EU). هذا المنتج لا يحتوي على مواد مؤذية أو محظورة من تلك المشار إليها في التوجيه.

1.4 معلومات التعبئة

تم تصنيع مواد التعبئة للمنتج من مواد قابلة لإعادة التدوير وفقاً لتشريعات البيئة الوطنية لدينا. لا تتخلص من مواد التعبئة مع النفايات المنزلية أو غيرها من النفايات. خذها إلى نقاط تجميع مواد التعبئة المخصصة التابعة للسلطات المحلية.



من قبل أشخاص كثيرة، يجب استخدام هذا الجهاز بحذر. ضع الجهاز فقط على الأسطح المخصصة واستخدام تدابير حماية الحرارة مثل قفازات الحماية من الحرارة أو حاملة القدور. الأماكن التي سنلمس عن غير قصد يجب أن تأخذ وقتًا كافيًا لتبرد.

- لا يمكن لمس القوائم وهي ساخنة إلا عندما تبرد وتصل إلى درجة حرارة الغرفة.
- في حالة تلف كابل التوصيل ، يجب استبداله فقط بواسطة وكيل خدمة موسى به من قبل الشركة المصنعة من أجل منع أي خطر! يرجى الاتصال بالشركة المصنعة أو خدمة العملاء الخاصة به.

- تمامًا قبل استخدام المحمصة مرة أخرى.
- عند عدم الاستخدام أو التخزين ، قد يتم لف سلك الطاقة أسفل الجزء السفلي من المحمصة.
- يصبح السطح الخارجي ساخناً أثناء استخدام الجهاز. لا تلمس الأسطح الساخنة تجنباً لحدوث أي حرق.
- لا تترك أواني الطبخ المعدنية والأشياء على أسطح الطهي.
- استخدم الجهاز واجعله دائماً على سطح مستقر.
- لا تحاول أبداً فك الجهاز.
- استخدم القطع الأصلية فقط التي توصي بها الشركة المصنعة.
- افصل الجهاز قبل تنظيفه واركبها ليبرد تماماً بعد التنظيف.
- هذا الجهاز غير مناسب للاستخدام خارج المنزل.
- يمكن أن تحترق المواد الغذائية بسبب ارتفاع درجة الحرارة. لا تجعل الجهاز يتصل أو يُغطى بمواد قابلة للاشتعال مثل الستائر والنسيج وألواح الجدران وما إلى ذلك.
- لا تستخدم الجهاز في أو بالقرب من الأماكن والمواد القابلة للاحتراق، أو سريعة الاحتراق.
- لا تقم بتشغيل الجهاز باستخدام مؤقت خارجي أو نظام تحكم عن بعد آخر.
- حافظ على مواد التغليف بعيداً عن متناول أيدي الأطفال.
- اترك الجهاز ليبرد قبل تخزينها في الصندوق أو على الرف أو غيرها.
- لا تضع الخبز على أي جزء بلاستيك من الجهاز.
- بما أن درجات الحرارة ينظر إليها بشكل مختلف

- لا تستخدم الجهاز سوى مع منفذ به طرف أرضي.
- لا تستخدم الجهاز على كابل تمديد خارجي.
- قم بحماية كابل الطاقة من التلف وذلك بعدم الضغط عليه أو ثنيه أو حكه بالحواف الحادة.
- لا تلمس قابس الجهاز أبداً ويداك مبتلتان أو رطبتان.
- لا تقم بنزع قابس الطاقة عبر شد الكابل
- لا تغمر الجهاز أو كابل الطاقة في المياه أو أي سائل آخر.
- لا تترك الجهاز بدون رقابة طالما أنه متصل بالطاقة.
- بالنسبة للمحسسات ، يجب أن تتضمن تفاصيل حول كيفية إزالة فتات الخبز ، إذا كان ذلك ممكناً.
- تم تصميم هذا التطبيق ليتم استخدامه في التطبيقات المنزلية وما شابهها مثل ؛
- مناطق مطبخ الموظفين في المحلات التجارية والمكاتب وغيرها من بيئات العمل ؛
- منازل المزرعة ،
- من قبل العملاء في الفنادق والموتيلات وغيرها من البيئات السكنية ؛
- بيئات نوع السرير والافطار.
- قبل التنظيف ، افصله عن الجهاز واتركه يبرد تماماً.
- امسح الجزء الخارجي بقطعة قماش جافة وناعمة ، ولا تستخدم طلاء المعدن أبداً.
- اسحب صينية الفتات الموجودة أسفل المحمصة وأفرغها. إذا تم استخدام المحمصة بشكل متكرر ، يجب إزالة فتات الخبز المتراكم مرة واحدة على الأقل في الأسبوع. تأكد من إغلاق صينية الفتات

يحتوي هذا الفصل على تعليمات السلامة التي ستساعدك على تجنب خطر إصابة الأفراد أو الإضرار بالممتلكات. سيؤدي الفشل في اتباع هذه التعليمات إلى إبطال الضمان الممنوح.

1.1 السلامة العامة

- يتوافق هذا الجهاز مع المعايير الدولية للسلامة.
- يمكن استخدام هذا الجهاز بواسطة الأطفال من عمر 8 سنوات فأكبر، وبواسطة الأشخاص الذين لديهم إعاقة بدنية، أو حسية، أو ذهنية، أو الذين ليس لديهم خبرة أو معرفة طالما أنهم يخضعوا لرقابة فيما يتعلق بسلامة استخدام المنتج أو يتم توجيههم وفقاً لذلك أو يفهمون مخاطر استخدام المنتج. يجب ألا يلعب الأطفال بالجهاز.
- يجب ألا يقوم الأطفال بأعمال النظافة والصيانة ما لم يكن عمرهم أكبر من 8 أعوام وتحت الإشراف.
- حافظ على الجهاز وكبل الطاقة بحيث لا يستطيع الأطفال أقل من 8 سنوات الوصول إليه.
- هذا الجهاز مخصص للاستخدام في المنزل فقط. لم يتم تصميمه للاستخدام المهني في.
- لا تستخدم الجهاز إذا كان كابل الطاقة أو الجهاز به عطب. اتصل بمركز خدمة معتمد.
- ينبغي أن تتوافق إمدادات الطاقة الخاصة بك مع المعلومات المقدمة على لوحة تصنيف الجهاز.
- وللمزيد من الحماية، يجب توصيل الجهاز بقاطع دائرة لحماية عطل التيار المنزلي بما لا يزيد عن 30 مللي أمبير.

يرجى قراءة هذا الدليل أولاً!

عزيزي العميل،

شكراً لك لاختيارك منتج Beko. نأمل أن تحصل على أفضل النتائج من جهازك والذي قد تم تصنيعه بأعلى جودة وبأحدث التقنيات. وعلى ذلك، يرجى قراءة كامل دليل المستخدم هذا وجميع المستندات المصاحبة له بعناية قبل استخدام المنتج والاحتفاظ به كمرجع للاستخدام المستقبلي. إذا قمت بتسليم الجهاز لشخص آخر، فأعطه دليل المستخدم أيضاً. اتبع التحذيرات والمعلومات في دليل المستخدم.

تستخدم الرموز التالية في أجزاء متعددة من دليل المستخدم هذا:

معلومات مهمة وتوجيهات مفيدة عن الاستخدام.	
تحذير: تحذيرات بشأن مواقف خطيرة تتعلق بسلامة الحياة والمنتجات.	
تحذير: تحذير أسطح ساخنة.	
مناسب لملامسة الطعام.	
لا تقم أبداً بغمر الجهاز في الماء.	

البيانات الفنية

مزود الطاقة: 220-240 فولت ~ 50-60 هرتز
الطاقة: 800 واط
تم الاحتفاظ بالتعديلات الفنية وتعديلات التصميم.

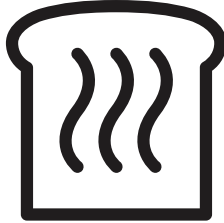
القيم المشار إليها في العلامات المثبتة على المنتج أو المستندات الأخرى المطبوعة المتوفرة معه تمثل القيم التي تم الحصول عليها في المختبرات وفقاً للمعايير ذات الصلة. قد تختلف هذه القيم وفقاً لاستخدام الجهاز وظروف المحيطة به.

1. منفذ الخبز
2. رافعة البدء
3. التحكم في التجميد
4. زر إعادة التسخين
5. زر إزالة الثلج
6. زر الإيقاف
7. صينية فتات الخبز
8. الجسم الخارجي

beko

محمصة خبز

دليل المستخدم



TAM 4220 W

AR



01M-8914443200-0823-05

