



Turkish Coffee Machine

User Manual



TKM 8961 K
TKM 8961 S

TKM 8961 A
TKM 8961 B

EN / DE / TR / RO / SR / MK / HR / SQ / BQ / AR

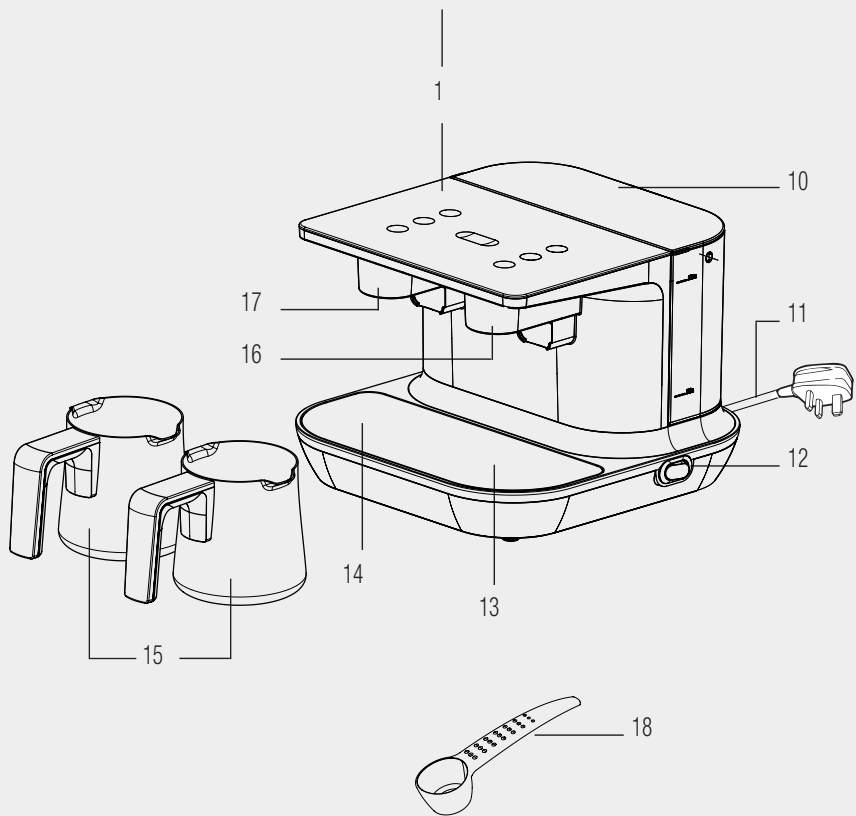
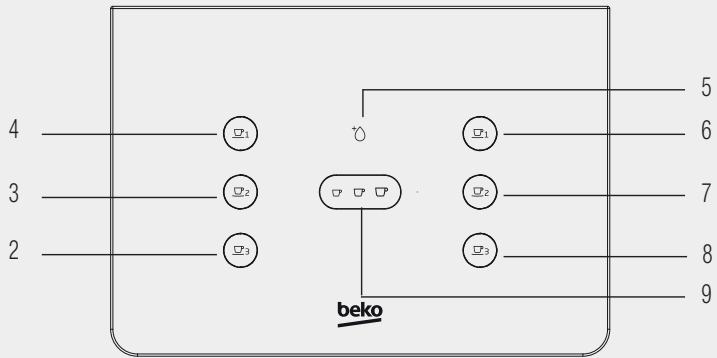


01M-7489490100-1620-04
01M-7489490101-1620-04
01M-7489490102-1620-04

01M-7489490103-1620-04
01M-7489490104-1620-04
01M-7489490105-1620-04

CONTENTS

ENGLISH	4-19
DEUTSCH	20-37
TÜRKÇE	38-56
ROMÂNĂ	57-74
СРПСКИ	75-90
МАКЕДОНСКИ	91-107
HRVATSKI	108-123
SHQIPTARE	124-139
БЪЛГАРСКИ	140-155









Please read this user manual first!

Dear Customers,

Thank you for selecting an Beko product. We hope that you get the best results from your product which has been manufactured with high quality and state-of-the-art technology. Therefore, please read this entire user manual and all other accompanying documents carefully before using the product and keep it as a reference for future use. If you handover the product to someone else, give the user manual as well. Follow all warnings and information in the user manual.

Meanings of the symbols

Following symbols are used in the various section of this manual:

	Important information and useful hints about usage.
	WARNING: Warnings for dangerous situations concerning the safety of life and property.
	Materials are intended to be in contact with food.
	Warning for electric shock.
	Functional grounding
	Protection class for electric shock.



This product has been produced in environmentally-friendly, state-of-the-art facilities.

Complies with the WEEE Directive.

It does not contain PCB.

1. Control panel
2. Left compartment, button to start making 3 servings of coffee
3. Left compartment, button to start making 2 servings of coffee
4. Left compartment, button to start making 1 serving of coffee
5. Water indicator LED
6. Right compartment, button to start making 1 serving of coffee
7. Right compartment, button to start making 2 servings of coffee
8. Right compartment, button to start making 3 servings of coffee
9. Small-Medium-Large - cup size adjustment buttons
10. Water tank (1.5 l)
11. Mains cable
12. On/off button
13. Right compartment heating surface
14. Left compartment heating surface
15. Coffee-making pots - 2x
16. Right compartment coffee-making detection sensor
17. Left compartment coffee-making detection sensor
18. Coffee measuring spoons

Technical data

Power: Total Rated Input Power: 1100 W
Induction Heating Input Power: 2 X 525 W = 1050 W

Voltage: 220-240 V AC ~, 50-60 Hz

Electrical insulation class: II



Technical and design modifications are reserved.

The values which are declared in the markings affixed on your appliance or the other printed documents supplied with it represent the values which were obtained in the laboratories pursuant to the pertinent standards. These values may vary according to the usage of the appliance and ambient conditions.

This section contains safety instructions that will help protect from risk of personal injury or property damage.

Failure to follow these instructions will void all types of warranty.

1.1 General safety

- This appliance complies with the international safety standards.
- Do not use the appliance outdoors and in the bathroom.
- No responsibility or warranty claim shall be assumed for damages arising from misuse or improper handling of the appliance.
- Never attempt to dismantle or separate the mounted parts of the appliance.
- Only use the original parts or parts recommended by the manufacturer.
- Always use the appliance on a stable, flat, clean, dry and non-slip surface.
- Do not put any substances apart from coffee and sugar into the coffee-making pot.
- Do not drink the cooked Turkish coffee using the coffee-making pot.
- Turkish Coffee Machine is designed to operate at 4-37°C 80% relative humidity.
- Due to the manufacturing technology, steam and odour may arise in the heating element of the appliance during the initial use. This is normal. They will disappear after a few cycles.
- **WARNING:** When making coffee, do not move the appliance and do not remove the coffee-making pot.
- Do not move the appliance when it is still hot or when there is liquid inside the coffee-making pot.
- The coffee-making pot and the heating surfaces get hot during use. For this reason, do not contact the heating surface or the pot during and after use (until it cools down).

1

Important instructions for safety and environment

- **WARNING:** When making coffee, there might be some hot steam over the pot. Avoid contacting these areas to prevent the effects of the hot steam.
- Avoid contacting hot surfaces and hold the pot only by handle.
- Ensure that the appliance is switched off before moving it.
- The base (black glass surface) on which the coffee-making pot is placed gets hot during operation. Therefore, do not touch this area while using and until the appliance gets cold.
- This appliance should be connected to a maximum 30 mA domestic fault current protection fuse for additional protection.
- Use the appliance with a grounded plug.
- If the supply cable is damaged, immediately stop using it to prevent any danger and have it replaced by the manufacturer, service agent or similarly qualified personnel.
- Do not use the appliance if the appliance itself or any part of it is damaged. Contact the authorised service.
- Do not use the appliance with an extension cord.
- Do not immerse the appliance, power cord, or power plug in water or any other liquids.
- Do not touch the appliance or its plug with damp or wet hands.
- Position the appliance in such a way that the plug is always accessible.
- Prevent damage to the power cable by not squeezing, bending, or rubbing it on sharp edges. Keep the power cable away from hot surfaces and naked flame.
- Make sure that there is no danger that the power cable could be accidentally pulled or that someone could trip over it when the appliance is in use.
- Unplug the appliance before cleaning it and never clean it when it is in use.

1

Important instructions for safety and environment

- Do not pull the power cable of the appliance to unplug the appliance from the outlet and do not wrap its power cable around the appliance.
- Your mains power supply should comply with the information supplied on the rating plate of the appliance.
- Do not use the appliance in or near places where combustible or inflammable places or materials are present.
- Do not use the appliance next or close to heat resources (hob, grill, heater core, stove etc.).
- Keep the appliance away from steam resources and avoid using it in environments containing excessive steam.
- Do not use the coffee-making pot with any other heater (hob and etc.) apart from the appliance.
- Do not place anything (cups, coffee-making pots etc.) on the appliance.
- This appliance is not suitable for commercial use. It is intended to be used for household purposes in places such as:
 - Shops, offices and personnel kitchens in other working environments,
 - Farmhouses,
 - By customers in hotels, motels and other residential places,
 - Places for sleep and breakfast.
- This appliance can only be used to cook coffee.
- Extreme caution is advised when being used near children and persons who are restricted in their physical, sensory or mental abilities.

1

Important instructions for safety and environment

- This appliance may be used by children who are at the age of 8 or over and the people whose physical, perceptive or mental skills are impaired or who are inexperienced or not knowledgeable about the appliance as long as they are supervised or informed and made understood the safe use of the appliance and the encountered dangers. Children should not play with the appliance.
- Cleaning and user maintenance procedures should not be performed by children over 8 unless they are supervised by an older person.
- If you keep the package material keep it away from children.
- Keep the appliance out of the reach of children under age 8.
- Supervise children to ensure that they do not play with the appliance.
- This product only contains functional grounding connection.
- If you are using a pace maker, consult the manufacturer before using the appliance.
- Perform cleaning and care procedures in compliance with the "Cleaning and Care" section in this manual.
- **WARNING:** If there is damage (crack, breakage etc.) on the coffee-making surface, immediately disconnect the product from the mains and do not use it to prevent electric shock, and contact the authorised service.
- Do not fill the water tank with any other substance (milk, powdered milk) than water.
- Do not exceed the max. level mark of the water tank.
- When making coffee, do not stir the coffee with spoon or any other object and do not intervene in the process.
- Do not leave metal objects (such as cutlery) on hot surfaces in the coffee-making areas since these objects get hot.

1

Important instructions for safety and environment

- Do not use the devices with an external timer or a remote control system.
- This appliance cannot be used for built-in applications and it is not intended to be used inside cabinets. Do not put the coffee machine in a cabinet while it is running.

1.2 Compliance with the WEEE Directive and disposal of the waste product



This product does not contain harmful or prohibited materials specified in the "Regulation for Supervision of the Waste Electric and Electronic Appliances" issued by the Ministry of Environment and Urbanisation. Conforms to the WEEE Regulation. This product has been made from high-quality parts and materials which can be recycled and re-used. Therefore, do not throw the product away with household and other waste at the end of its life. Take it to a collection point for recycling electrical and electronic devices. Contact local authorities for the collection points in your region. Help protect the environment and natural resources by recycling used products.

1.3 Package information



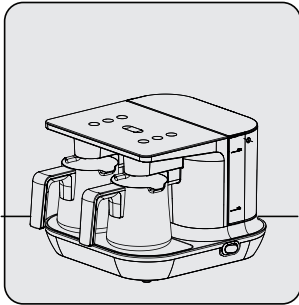
Package of the product is made of recyclable materials in accordance with our national legislation. Do not dispose of the packaging materials together with the domestic or other wastes. Take them to the packaging material collection points designated by the local authorities.

2 Use

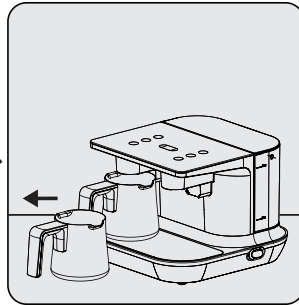
2.1 Initial use

i Read the whole user manual before using the product.

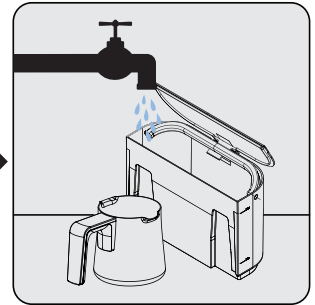
Make sure that the device is straight and balanced on a flat, clean, dry and non-slip surface.



Place the product vertically on a flat, clean and dry surface.



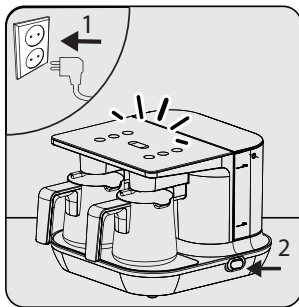
Slightly pull the coffee-making pot (15) out of its slot.



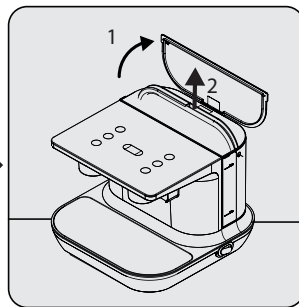
Wash the water tank (10) and the coffee making pot (15) by hand and dry them.

i To obtain a tasty coffee, make sure that the inside of the coffee-making pot (15) is dry and clean.

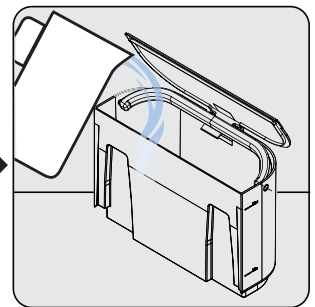
i Make sure that there are no water drops underneath the coffee-making pot (15) when preparing coffee. Otherwise, an annoying noise will be heard when the water drops get into contact with the hot base.



Insert the plug (11) in the wall-socket. Switch the On/Off button (12) to On (I) position
- All buttons on the control panel (1) will turn white.



Open the cover of the water tank. Holding the handle, slightly pull it up to remove.

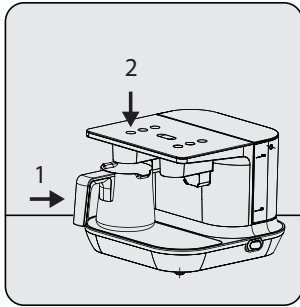


Fill the water tank (10) up to a level between min. and max. levels. Close the cover again and re-install it.

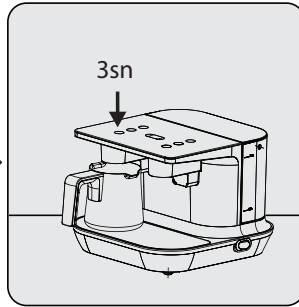
2 Use

i If you want, you can also fill the water tank (10) without completely removing it. Repeat the same process after the appliance gives a water depleted warning (5).

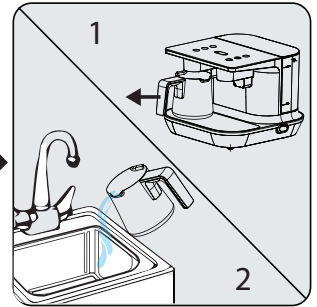
To fill the pump and water system with water and bleed the air out of the system:



Place the coffee-making pot into the left compartment heating surface (14). Press the left compartment coffee-making button for 3 servings (2).



Once the water pumping process is over, press and hold the same button for 3 seconds to end the coffee-making process.






Take the coffee-making pot (15) and drain the water in it down the sink.

i This way, proper operation of the pump in the appliance is ensured.

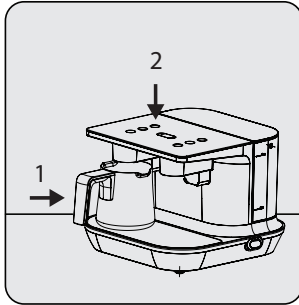


WARNING: Repeat this process also after you remove/place the water tank from/into its place and before brewing coffee.

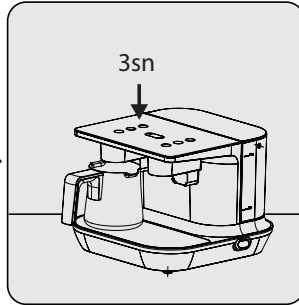
To adjust the water amount according to the size cup:

	Small cup for one serving	60 ml on average.
	Medium cup for one serving	70 ml on average.
	Large cup for one serving	80 ml on average.

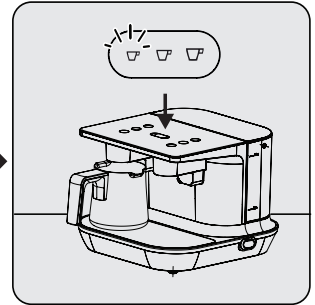
2 Use



Place the coffee-making pot (15) into the left compartment heating surface (14). Press the left compartment coffee-making button for 1 serving (4).



Once the water pumping process is over, press and hold the same button for 3 seconds to end the coffee-making process and drain the water inside the coffee-making pot (15) into your cup.

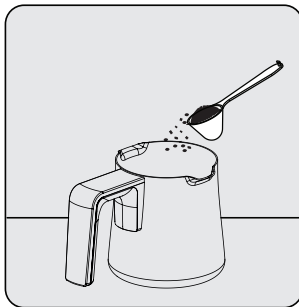


If the water you have poured into your cup is too little or too much, press the cup size adjustment button to set it to small, medium or large (9). You can press the cup size adjustment button (9) to switch between level. Once the LED of the desired cup size turns on, end the process.

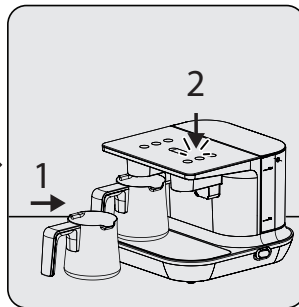


The cup size LED will show the level to which the product is set. Repeat the water amount adjusting process when you change the cup size. Repeat the water amount adjusting process when you change the cup size.

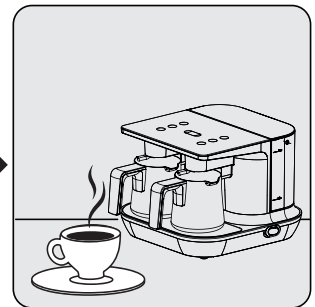
2.2 Coffee making



Put the desired amount of coffee and sugar (up to 3 servings) into the coffee-making pot (15).



Place the coffee-making pot (15) in its slot. Slightly press the button that is found on the compartment where you have placed the coffee-making pot (15) and that shows the number of servings based on the amount of coffee you have added.
- The light of the selected button will light in white.



Once the coffee-making process is complete, an audio warning will be heard and the LED of the relevant coffee-making button will flash in white. Once the LED turns dull white, slightly pull back the coffee-making pot (15) to remove it and pour the coffee into your cup.

2 Use

WARNING:



- Pay attention not to stain the heating surface (13-14). If you drip coffee onto the heating surface, wipe it with a slightly damp cloth before it gets dry.
- Do not use the coffee-making pot on any cooking appliance other than the Coffee Machine! (Hob etc.)
- The appliance will not start unless you place the coffee-making pot (15) properly into its seat.
- Fully insert the pot back into its seat in upright position. Otherwise your product will not run.



- Coffee-making time is 1-1.5 min. for 1 person., 1.5-2.5 min. for 2 persons and 2-3.5 min. for 3 persons.
- For a tasty coffee, take the coffee-making pot (15) from the seat without waiting!
- Pour coffee swiftly in order to prevent the foam and grounds from remaining in the coffee-making pot (15).
- If you want to cancel the coffee-making process for any reason, press and hold the selected coffee-making starting button for 3 seconds.

2.3 Amounts

This is an easy-to-use appliance designed to make Turkish coffee. You can prepare foamy Turkish coffee that suits your tastes by using the quantities in the table. Following quantities are provided only for information purposes. You can adjust them according to your personal tastes.

- Add sufficient coffee for one, two or three persons by using the measuring spoon, desired amount of sugar and required amount of water for your cup size (recommended cup size is 65 ml) into the coffee-making pot.
- These amounts are for a one-serving medium cup. You can use the measuring spoon provided with the product for measuring the amount of coffee. For a foamy, delicious coffee, use fine grind fresh coffee suitable for making Turkish coffee.

Recommended quantities of ingredients to prepare coffee				
	Sugar-free	With little sugar	With medium amount of sugar	Sweet
Coffee	1 measure	1 measure	1 measure	1 measure
Sugar	-	1/2 cube of sugar / 1/2 tea spoon of granulated sugar	1 cube of sugar / 1 tea spoon of granulated sugar	2 cubes of sugar / 2 tea spoons of granulated sugar

*These quantities are for single serving.

*You can prepare 3 servings of coffee maximum in a single pot.

* We recommend you to use sugar cubes to easily adjust the amount of sugar.

2.4 Sleep mode

If you do not do anything on the appliance for 3 minutes, it will give an audio warning (beep) and switch to stand-by mode. If you press the coffee-making start button or the cup size adjustment button, an audio warning will be heard and the appliance will leave sleep mode.

2.5 Notifications

Product is ready to make coffee

LED of the selected cup size is constantly on in white. LEDs of the coffee-making starting button are in dull white.

Making coffee

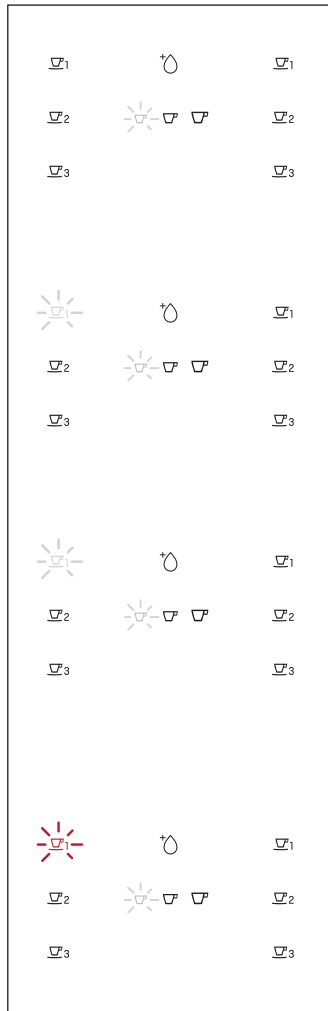
LED of the selected coffee-making starting button is constantly on in white.

Coffee-making process is complete

LED of the selected coffee-making starting button is flashing in white.

Level exceeded error

The selected button's LED for coffee-making start is flashing in red.



Please wait

Do not remove the coffee-making pot.

Remove the coffee-making pot, and pour the coffee into the cup before serving.

Switch off the product. Take out the coffee-making pot from its seat. Use a damp cloth to clean the base of the coffee-making pot, heating surface (make sure that the heating surface is cold) and the sensor glass. You can switch on the product again to start another coffee-making process. Contact authorised service agent if the error occurs again.

2 Use

Time out error

The selected button's LED for coffee-making start is continuously on in red



Switch off the product. Take out the coffee-making pot from its seat. Use a damp cloth to clean the base of the coffee-making pot, heating surface (make sure that the heating surface is cold) and the sensor glass. You can switch on the product again to start another coffee-making process. Contact authorised service agent if the error occurs again.

Coffee-making error 1

The button LEDs for coffee-making start for the relevant compartment are flashing in red



Switch off the product. Take out the coffee-making pot from its seat. Use a damp cloth to clean the base of the coffee-making pot, heating surface (make sure that the heating surface is cold) and the sensor glass. You can switch on the product again to start another coffee-making process. Contact authorised service agent if the error occurs again.

Coffee-making error 2

LEDs of all coffee-making starting buttons are constantly on in red



Switch off the product. Take out the coffee-making pot from its seat. Use a damp cloth to clean the base of the coffee-making pot, heating surface (make sure that the heating surface is cold) and the sensor glass. You can switch on the product again to start another coffee-making process. Contact authorised service agent if the error occurs again.

No water

Water indicator LED is constantly on in red



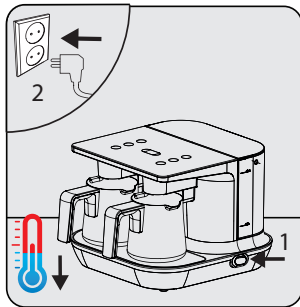
Fill the water tank with water up to the max level. (When there is no water left, the coffee-making start buttons will go off and the user cannot make any selection).

3 Cleaning and care

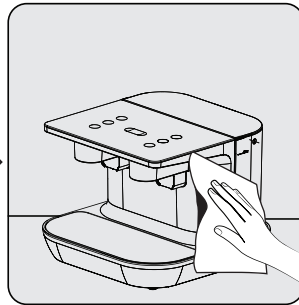
3.1 Cleaning



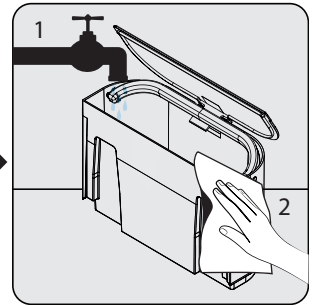
- Since the appliance will be hot during coffee-making, please wait until it is cold if you would like to clean it afterwards.
- Never use gasoline, solvent, abrasive cleaning agents, metal objects or hard brushes to clean the appliance.
- Never immerse the appliance or its power cable in water or any other liquid.
- Use a dry cloth to wipe the water droplets that appear on the sensor glass (16-17) after consecutive coffee-making cycles.
- Do not wash the coffee-making pot (15) in dishwasher.



Switch the On/Off button (12) of the appliance to Off (0) position. Unplug the appliance. Allow it to cool down.



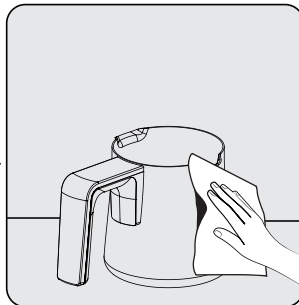
Use a damp cloth and a small amount of washing liquid to clean the outer surface of the appliance.



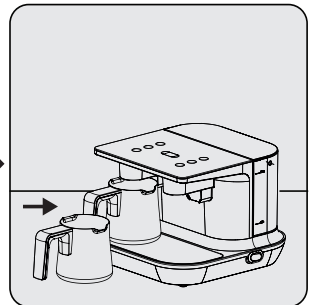
Remove the water tank (10) of the appliance. Wash it under running water with little washing liquid. Then dry and re-install it.



Wash the coffee-making pot by hand.



Then, dry it.



After drying the coffee-making pot, re-install it.

3.1.2 Descaling

To clean the stains (deposits) that might appear in the coffee-making pot in time without harming the inner base surface, pour one dessert spoon of citric acid crystals to the coffee-making pot and pour boiling water on it, so that water fills 1/3 of the pot. Wait for 10 minutes. At the end of the waiting process, you can rinse the coffee-making pot (15) and use it again.

3 Cleaning and care



WARNING: If you do not perform the descaling process for a long time, the base of the water reservoir of the appliance will get covered with lime and become inoperable.

3.2 Storage

- If you do not intend to use the appliance for a long time, store it carefully.
- Please make sure that the appliance is unplugged, cooled down and totally dry.
- Store the appliance in a cool and dry place.
- Keep the appliance and its power cable out of the reach of children.

3.3 Handling and transportation

- During handling and transportation, carry the appliance in its original packaging. The packaging of the appliance protects it against physical damages.
- Do not place heavy loads on the appliance or on the packaging. The appliance may be damaged.
- Dropping the appliance may render it non-operational or cause permanent damage.

4 Technological features of the appliance



Automatic stirring system that ensures that the coffee is foamy and ideally consistent



The technology that allows making coffee at the best consistency.



Additional safety system eliminating the necessity of watching the coffee while it is being prepared

5 Before calling the authorised service agent



First, check if the appliance is plugged in or not.



Check whether there is any break or damage on the cable.



Check if there is enough water in the water tank and if it is fitted in its place or not.



Clean the level detection glass.

Bitte lesen Sie zuerst diese Bedienungsanleitung!


Sehr geehrte Kundin, sehr geehrter Kunde,

Vielen Dank, dass Sie sich für dieses Gerät der Marke Beko entschieden haben. Wir sind überzeugt, dass Sie mit diesem Gerät, das mit den höchsten Qualitätsanforderungen und modernster Technologie hergestellt wurde, beste Ergebnisse erzielen werden. Bitte lesen Sie die gesamte Bedienungsanleitung und alle anderen Begleitdokumente aufmerksam, bevor Sie das Gerät verwenden; bewahren Sie sie zum künftigen Nachschlagen sicher auf. Wenn Sie das Gerät an jemanden weitergeben, händigen Sie ihm bitte auch diese Anleitung aus. Befolgen Sie die Anweisungen, indem Sie alle Informationen und Warnhinweise in der Bedienungsanleitung beachten.

Bedeutung der Symbole

Folgende Symbole werden in den verschiedenen Abschnitten dieser Bedienungsanleitung verwendet:

	Wichtige Informationen und nützliche Tipps zur Verwendung.
--	--

	WARNUNG: Warnhinweise zu gefährlichen Situationen im Hinblick auf die Sicherheit von Leib, Leben und Eigentum.
--	--

	Geeignet für den Kontakt mit Lebensmitteln.
--	---

	Warnung vor Stromschlägen.
--	----------------------------

	Funktionale Erdung
--	--------------------

	Schutzklasse gegen Stromschläge.
---	----------------------------------



Dieses Gerät wurde in umweltfreundlichen, hochmodernen Einrichtungen hergestellt.

Das Gerät erfüllt die Vorgaben der WEEE-Richtlinie.

Es enthält kein PCB.

1. Bedienfeld
2. Links, Taste zur Zubereitung von 3 Portionen Kaffee
3. Links, Taste zur Zubereitung von 2 Portionen Kaffee
4. Links, Taste zur Zubereitung von 1 Portion Kaffee
5. Wasseranzeige-LED
6. Rechts, Taste zur Zubereitung von 1 Portion Kaffee
7. Rechts, Taste zur Zubereitung von 2 Portionen Kaffee
8. Rechts, Taste zur Zubereitung von 3 Portionen Kaffee
9. Klein/mittel/groß - Tassengrößen-Einstelltasten
10. Wassertank (1,5 L)
11. Netzkabel
12. Ein-/Austaste
13. Heizfläche rechter Brüher
14. Heizfläche linker Brüher
15. Kaffeekannen - 2x
16. Erkennungssensor der Kaffe Zubereitung, rechter Brüher
17. Erkennungssensor der Kaffe Zubereitung, linker Brüher
18. Messlöffel für Kaffee

Technische Daten

Leistung: Gesamte Nenneingangsleistung: 1100 W
Eingangsleistung Induktionsplatten: 2 x 525 W = 1050 W

Spannung: 220 - 240 V Wechselspannung,
50 - 60 Hz

Elektroisolationsklasse: II



Technische und optische Änderungen vorbehalten.

Die an den Kennzeichnungen an Ihrem Gerät oder in den mitgelieferten Anleitungen angegebenen Werte wurden in Laboratorien in Übereinstimmung mit den relevanten Standards ermittelt. Diese Werte können je nach Einsatz- und Umgebungsbedingungen variieren.

Dieser Abschnitt enthält Sicherheitsanweisungen, die zum Schutz vor Personen- und Sachschäden beitragen. Bei Nichtbeachtung dieser Anweisungen erlischt jegliche Garantie.

1.1 Allgemeine Sicherheit

- Dieses Gerät erfüllt die internationalen Sicherheitsstandards.
- Benutzen Sie das Gerät nicht im Freien oder im Badezimmer.
- Bei Schäden durch Missbrauch oder falschen Gebrauch des Gerätes erlöschen jegliche Haftungs- und Garantieansprüche.
- Versuchen Sie niemals, das Gerät auseinanderzubauen oder Einzelteile des Gerätes abzumontieren.
- Verwenden Sie nur Originalteile und vom Hersteller empfohlene Teile.
- Verwenden Sie das Gerät immer auf einer stabilen, ebenen, sauberen, trockenen und rutschfesten Unterlage.
- Füllen Sie keine Substanzen außer Kaffee und Zucker in die Kaffeekanne.
- Trinken Sie den zubereiteten türkischen Kaffee nicht direkt aus der Kaffeekanne.
- Die Kaffeemaschine sollte idealerweise bei einer Temperatur von 4 bis 37 °C und einer relativen Luftfeuchtigkeit von 80 % betrieben werden.
- Aufgrund der Fertigungstechnik entstehen beim erstmaligen Gebrauch etwas Rauch und Geruch am Heizelement des Gerätes. Dies ist normal. Das verschwindet nach kurzer Zeit.
- **WARNUNG:** Bei der Kaffeezubereitung darf das Gerät nicht bewegt und die Kaffeekanne nicht entfernt werden.
- Bewegen Sie das Gerät nicht, wenn es noch heiß ist oder wenn sich Flüssigkeit in der Kaffeekanne befindet.

Wichtige Sicherheits- und Umwelanweisungen

- Kaffeekanne und Heizflächen werden im Betrieb heiß. Berühren Sie Kanne und Heizfläche daher nicht während und nach der Benutzung (bis zur Abkühlung).
- **WARNUNG:** Bei der Kaffeezubereitung kann sich über der Kanne etwas heißer Dampf bilden. Berühren Sie diese Flächen zur Vermeidung von Verbrühungen nicht.
- Vermeiden Sie Kontakt mit heißen Flächen und greifen Sie die Kanne ausschließlich am Griff.
- Stellen Sie vor dem Bewegen des Gerätes sicher, dass es ausgeschaltet ist.
- Der Sockel (schwarze Glasfläche), auf dem sich die Kaffeekanne befindet, wird durch den Betrieb heiß. Berühren Sie deswegen diesen Bereich während des Gebrauchs nicht, bis das Gerät erkaltet ist.
- Falls nicht vorhanden, wird als zusätzlicher Schutz die Installation einer Fehlerstrom-Schutzeinrichtung (RCD) mit einem Auslösestrom von nicht mehr als 30 mA empfohlen.
- Verwenden Sie das Gerät mit einem geerdeten Stecker.
- Falls das Netzkabel beschädigt wird, darf das Gerät nicht weiter verwendet werden. Lassen Sie es vom Hersteller, seinem Kundencenter oder vergleichbar qualifizierten Personen umgehend reparieren.
- Verwenden Sie das Gerät nicht, wenn das Gerät selbst oder ein Teil davon beschädigt ist. Wenden Sie sich dann an den autorisierten Kundendienst.
- Verwenden Sie das Gerät nicht mit Verlängerungskabeln.
- Tauchen Sie Gerät, Netzkabel sowie Netzstecker nicht in Wasser oder andere Flüssigkeiten.
- Berühren Sie Gerät oder Netzstecker nicht mit feuchten oder gar nassen Händen.
- Stellen Sie das Gerät so auf, dass der Netzstecker immer zugänglich ist.

1

Wichtige Sicherheits- und Umweltausweisungen

- Vermeiden Sie Schäden am Netzkabel, indem Sie es nicht quetschen, knicken oder über scharfe Kanten ziehen. Halten Sie das Netzkabel von heißen Oberflächen und offener Flamme fern.
- Verlegen Sie das Anschlusskabel so, dass man daran nicht unbeabsichtigt ziehen kann und das Gerät nicht zur Stolperfalle wird.
- Trennen Sie das Gerät vor dem Reinigen immer vom Stromnetz und reinigen Sie es nie, während es in Betrieb ist.
- Ziehen Sie zum Trennen von der Stromversorgung niemals am Netzkabel, sondern am Stecker des Gerätes. Wickeln Sie das Netzkabel niemals um das Gerät.
- Die Stromversorgung muss mit den Angaben am Typenschild des Gerätes übereinstimmen.
- Benutzen Sie das Gerät nicht an oder in der Nähe von Stellen, an denen sich leicht brennbare oder gar explosive Materialien befinden.
- Verwenden Sie das Gerät nicht in der Nähe von Hitzequellen (Kochfeld, Backofen, Heizung, Herd usw.).
- Halten Sie das Gerät von Dampfquellen fern und vermeiden Sie seine Verwendung in Umgebungen mit viel Dampf.
- Verwenden Sie die Kaffeekanne nicht auf einem anderen Hitze erzeugenden Gerät (Kochfeld usw.).
- Stellen Sie nichts (Tassen, Kaffeekannen usw.) auf das Gerät.
- Dieses Gerät ist nicht für den gewerblichen Gebrauch geeignet. Es dient dem Einsatz für Haushaltszwecke an Orten wie:
 - Geschäften, Büros und Personalküchen in Arbeitsumgebungen,
 - Privathaushalten,
 - Von Kunden in Hotels, Motels und anderen Wohnorten,
 - Plätzen für Übernachtung und Frühstück.
- Dieses Gerät darf nur zum Kaffeekochen verwendet werden.

- Besondere Vorsicht gilt bei Verwendung in der Nähe von Kindern oder Personen, deren körperliche, sensorische oder geistige Fähigkeiten eingeschränkt sind.
- Dieses Gerät kann von Kindern im Alter von mindestens 8 Jahren und Personen mit eingeschränkten physischen und psychischen Fähigkeiten oder einem Mangel an Erfahrung und Wissen im Umgang mit dem Gerät verwendet werden, sofern sie beaufsichtigt werden oder im sicheren Umgang mit dem Gerät unterwiesen wurden und die damit verbundenen Gefahren verstehen. Kinder dürfen nicht mit dem Gerät spielen.
- Reinigungs- und Wartungsarbeiten dürfen nicht von Kindern über 8 Jahre ausgeführt werden, sofern diese nicht durch einen Erwachsenen beaufsichtigt werden.
- Falls Sie die Verpackung aufbewahren, sollten Sie sie von Kindern fernhalten.
- Halten Sie das Gerät von Kindern unter 8 Jahren fern.
- Beaufsichtigen Sie Kinder, damit sie nicht mit dem Gerät spielen.
- Dieses Produkt enthält eine funktionale Erdung.
- Wenden Sie sich vor Verwendung des Gerätes an den Hersteller, falls Sie einen Schrittmacher tragen.
- Führen Sie Reinigung und Pflege in Übereinstimmung mit dem Abschnitt „Reinigung und Pflege“ dieser Anleitung durch.
- **WARNUNG:** Bei Schäden (Risse, Brüche usw.) an der Oberfläche muss das Produkt zur Vermeidung von Stromschlägen umgehend vom Stromnetz getrennt werden. Nutzen Sie es dann nicht länger und wenden Sie sich an den autorisierten Kundendienst.
- Füllen Sie den Wassertank ausschließlich mit Wasser (nicht mit Milch, Milchpulver usw.).
- Überschreiten Sie nicht die Maximalmarkierung des Wassertanks.

- Rühren Sie den Kaffee bei der Kaffeezubereitung nicht mit einem Löffel oder anderen Gegenständen. Greifen Sie nicht in den Prozess ein.
- Legen Sie keine Metallgegenstände (z. B. Besteck) auf die heißen Kaffeezubereitungsflächen, da diese Gegenstände heiß werden.
- Verwenden Sie das Gerät nicht mit einem externen Timer oder einem Fernsteuerungssystem.
- Dieses Gerät kann nicht für Einbauanwendungen verwendet werden und eignet sich nicht zum Einsatz in Schränken. Platzieren Sie die Kaffeemaschine während des Betriebs nicht in einem Schrank.

1.2 Konformität mit der WEEE-Richtlinie und Entsorgung von Altprodukten



Dieses Produkt enthält keine der in der vom Ministerium für Umwelt und Städteplanung ausgestellten „Regulierung zur Überwachung elektrischer und elektronischer Altgeräte“ angegebenen gefährlichen oder verbotenen Materialien. Dieses Gerät erfüllt die WEEE-Richtlinie. Dieses Gerät wurde aus qualitativ hochwertigen Teilen und Materialien hergestellt, die recycelt und wiederverwendet werden können. Entsorgen Sie das Gerät am Ende seiner Einsatzzeit daher nicht über den Hausmüll oder andere Abfälle. Geben Sie das Gerät bei einer Sammelstelle ab, die für das Recycling von elektrischen und elektronischen Geräten zuständig ist. Erkundigen Sie sich bei Ihrer Stadtverwaltung nach Sammelstellen in Ihrer Region. Durch das Recycling von Altgeräten tragen Sie zum Schutz der Umwelt und zur Wiederverwendung natürlicher Rohstoffe bei.

1.3 Informationen zur Verpackung



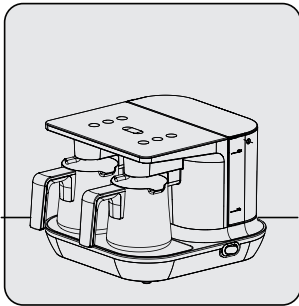
Die Verpackung des Gerätes wurde gemäß unserer nationalen Gesetzgebung aus recyclingfähigen Materialien hergestellt. Entsorgen Sie die Verpackungsmaterialien nicht mit dem Hausmüll oder anderem Müll. Bringen Sie sie zu einer von der Stadtverwaltung bereitgestellten Sammelstelle für Verpackungsmaterial.

2 Verwendung

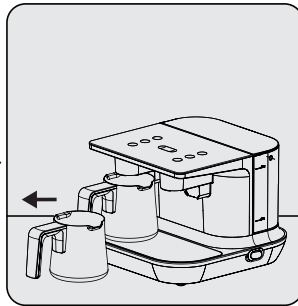
2.1 Erste Verwendung

i Lesen Sie vor Verwendung des Produktes die gesamte Bedienungsanleitung.

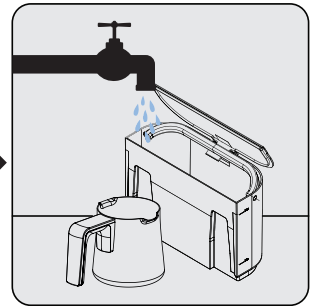
Achten Sie darauf, dass das Gerät gerade und stabil auf einem flachen, sauberen, trockenen, rutschfesten Untergrund steht.



Stellen Sie das Produkt gerade auf einem flachen, sauberen, trockenen Untergrund auf.



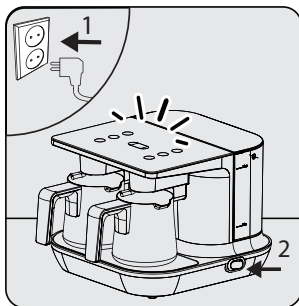
Ziehen Sie die Kaffeekanne (15) ein Stück aus ihrem Schlitz.



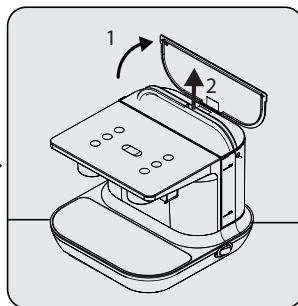
Spülen Sie Wassertank (10) und Kaffeekanne (15) von Hand und trocknen Sie sie ab.

i Für einen dauerhaften Kaffeegenuss sollten Sie sicherstellen, dass das Innere der Kaffeekanne (15) stets trocken und sauber ist.

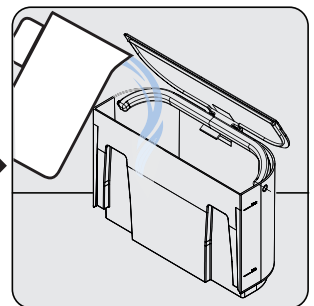
i Stellen Sie vor jeder Zubereitung sicher, dass sich unter der Kaffeekanne (15) keine Wassertropfen befinden. Andernfalls entstehen beim Kontakt der Wassertropfen mit dem heißen Sockel störende Zisch- und Knackgeräusche.



Stecken Sie den Netzstecker (11) in die Steckdose. Bringen Sie den Ein-/Aus-Schalter (12) in die Ein-Position (I).
- Alle Tasten am Bedienfeld (1) leuchten weiß.



Öffnen Sie die Abdeckung des Wassertanks. Ziehen Sie ihn durch Halten am Griff vorsichtig nach oben ab.



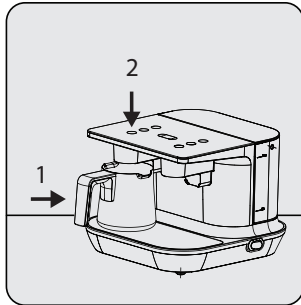
Füllen Sie den Wassertank (10) zwischen Mindest- und Maximalmarkierung auf. Schließen Sie die Abdeckung wieder und setzen Sie den Tank ein.

2 Verwendung

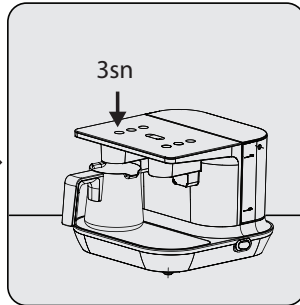


Bei Bedarf können Sie den Wassertank (10) auch füllen, ohne ihn vollständig zu entfernen. Wiederholen Sie den Vorgang, sobald das Gerät anzeigt, dass sich nicht mehr genügend Wasser darin befindet (5).

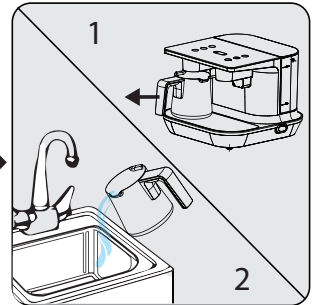
So füllen Sie Pumpe und Wassersystem mit Wasser und lassen die Luft aus dem System ab:



Platzieren Sie die Kaffeekanne auf der Heizfläche im linken Brüher (14). Drücken Sie die Kaffe Zubereitungstaste für 3 Portionen (2) des linken Brühers.



Sobald das Wasser gepumpt wurde, halten Sie dieselbe Taste zum Beenden der Kaffe Zubereitung 3 Sekunden lang gedrückt.



Nehmen Sie die Kaffeekanne (15) heraus und schütten Sie das Wasser weg.



Auf diese Weise wird der ordnungsgemäße Betrieb der Pumpe im Gerät gewährleistet.

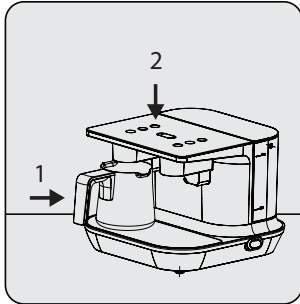


WARNUNG: Wiederholen Sie diesen Vorgang auch, nachdem Sie den Wassertank entfernt bzw. eingesetzt haben, sowie vor der Kaffe Zubereitung.

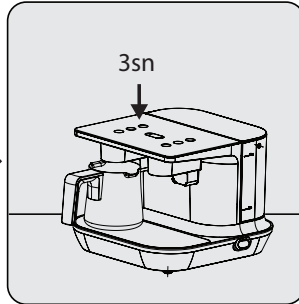
So passen Sie die Wassermenge entsprechend der Tassengröße an:

	Kleine Tasse für eine Portion	Meist ca. 60 ml.
	Mittlere Tasse für eine Portion	Meist ca. 70 ml.
	Große Tasse für eine Portion	Meist ca. 80 ml.

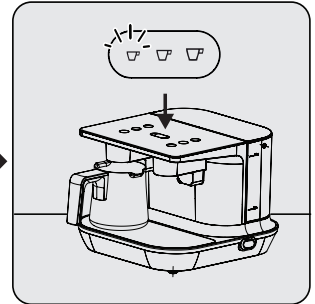
2 Verwendung



Platzieren Sie die Kaffeekanne (15) auf der Heizfläche im linken Brüher (14). Drücken Sie die Kaffe Zubereitungstaste für 1 Portion (4) des linken Brühers.



Sobald das Wasser gepumpt wurde, halten Sie dieselbe Taste zum Beenden der Kaffe Zubereitung 3 Sekunden lang gedrückt. Gießen Sie dann das Wasser aus der Kaffeekanne (15) in Ihre Tasse.

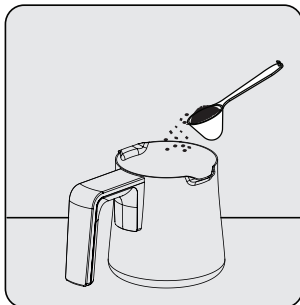


Falls sich zu wenig oder zu viel Wasser in Ihrer Tasse befindet, drücken Sie die Tassengrößen-Einstelltaste zur Einstellung auf klein, mittel oder groß (9). Mit der Tassengrößen-Einstelltaste (9) können Sie zwischen den einzelnen Stufen umschalten. Sobald die LED der gewünschten Tassengröße aufleuchtet, endet der Vorgang.

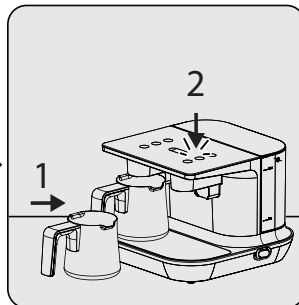


Die Tassengrößen-LED zeigt die Stufe, auf die die Maschine eingestellt ist. Wiederholen Sie die Anpassung der Wassermenge, wenn Sie die Tassengröße ändern.

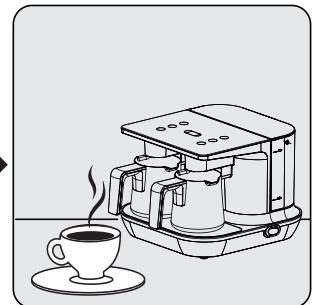
2.2 Kaffe Zubereitung



Geben Sie die gewünschte Menge Kaffee und Zucker (bis zu 3 Portionen) in die Kaffeekanne (15).



Setzen Sie die Kaffeekanne (15) in den Brüher ein. Drücken Sie sanft die Taste am Brüher, in dem Sie die Kaffeekanne (15) platziert haben. Die Anzahl Portionen basierend auf der von Ihnen zugefügten Menge Kaffee wird angezeigt.
- Das Licht der ausgewählten Taste leuchtet weiß.



Sobald die Kaffe Zubereitung abgeschlossen ist, ertönt ein akustisches Signal und die LED der entsprechenden Kaffe Zubereitungstaste blinkt weiß. Sobald die LED fast erlischt, ziehen Sie die Kaffeekanne (15) zum Herausnehmen leicht nach hinten. Gießen Sie den Kaffee in Ihre Tasse.

2 Verwendung



WARNUNG:

- Achten Sie darauf, die Heizfläche (13/14) nicht zu verschmutzen. Falls Kaffee auf die Heizfläche tropft, wischen Sie ihn mit einem leicht angefeuchteten Tuch ab, bevor er eintrocknet.
- Verwenden Sie die Kanne nicht mit anderen Kochgeräten als dieser Kaffeemaschine! (Kochfeld usw.)
- Das Gerät startet nur dann, wenn eine Kaffeekanne (15) richtig auf ihrem Sockel steht.
- Setzen Sie die Kanne in aufrechter Position wieder vollständig in ihrem Sockel ein. Andernfalls funktioniert das Gerät nicht.



- Die Brühzeit beträgt 1 bis 1,5 Min. für 1 Portion, 1,5 bis 2,5 Min. für 2 Portionen und 2 bis 3,5 Min. für 3 Portionen.
- Nehmen Sie für einen köstlichen Kaffee die Kaffeekanne (15) sofort vom Sockel!
- Gießen Sie den Kaffee schnell aus, um zu verhindern, dass Schaum und Satz in der Kanne (15) zurückbleiben.
- Wenn Sie die Kaffeezubereitung aus irgendeinem Grund abbrechen möchten, halten Sie die ausgewählte Kaffeezubereitungstaste 3 Sekunden gedrückt.

2.3 Mengen

Dieses speziell zum Zubereiten von türkischem Kaffee entwickelte Gerät ist sehr einfach zu bedienen. Sie können cremigen türkischen Kaffee Ihrem Geschmack nach brühen und dazu die Mengenangaben in der Tabelle zu Hilfe nehmen. Die folgenden Mengenangaben dienen nur zur Information. Sie können diese Ihrem persönlichen Geschmack anpassen.

- Geben Sie mit dem Messlöffel genügend Kaffee für eine, zwei oder drei Portionen, die gewünschte Menge Zucker und die je nach Tassengröße benötigte Menge Wasser (empfohlene Tassengröße: 65 ml) in die Kaffeekanne.
- Diese Mengen gelten für mittelgroße Tassen. Mit dem mitgelieferten Messlöffel können Sie die Kaffeemenge abmessen. Verwenden Sie für einen schaumigen, köstlichen Kaffee fein gemahlene frischen Kaffee, der für die Zubereitung von türkischem Kaffee geeignet ist.

Empfohlene Mengen der Zutaten zur Zubereitung von Kaffee

	Zuckerfrei	Mit wenig Zucker	Mit mittlerer Menge Zucker	Süß
Kaffee	1 Maßeinheit	1 Maßeinheit	1 Maßeinheit	1 Maßeinheit
Zucker	-	1/2 Würfel Zucker / 1/2 Teelöffel Kristallzucker	1 Würfel Zucker / 1 Teelöffel Kristallzucker	2 Würfel Zucker / 2 Teelöffel Kristallzucker

*Diese Mengen gelten für eine Portion.

*Sie können in einer einzigen Kanne maximal 3 Portionen Kaffee zubereiten.

*Wir empfehlen, zur einfachen Anpassung der Zuckerdosierung auf Würfelzucker zurückzugreifen.

2 Verwendung

2.4 Energiesparmodus

Wenn das Gerät 3 Minuten lang nicht betrieben wird, gibt es einen Signalton (Piepton) ab und wechselt in den Standby-Modus. Wenn Sie die Kaffe Zubereitungstaste oder Tassengrößen-Einstelltaste drücken, ertönt ein akustisches Signal und das Gerät beendet den Energiesparmodus.

2.5 Benachrichtigungen

Das Produkt ist zur Kaffe Zubereitung bereit

Die LED der ausgewählten Tassengröße leuchtet dauerhaft weiß. Die LEDs der Kaffe Zubereitungstaste leuchten schwach weiß.

Kaffee zubereiten

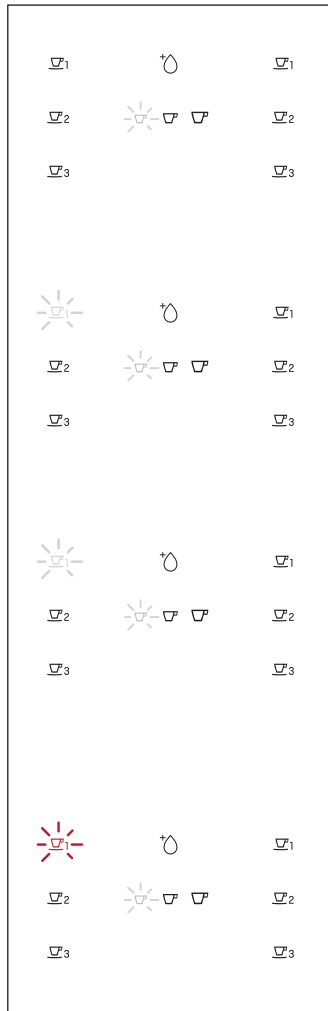
Die LED der ausgewählten Kaffe Zubereitungstaste leuchtet dauerhaft weiß.

Die Kaffe Zubereitung ist abgeschlossen

Die LED der ausgewählten Kaffe Zubereitungstaste blinkt weiß.

Füllstand-überschritten-Fehler

Die LED der ausgewählten Taste zur Kaffe Zubereitung beginnt, rot zu blinken.



Bitte warten

Die Kaffeekanne nicht entfernen.

Entfernen Sie die Kaffeekanne und geben Sie den Kaffee vor dem Servieren in die Tasse.

Schalten Sie das Gerät aus. Nehmen Sie die Kaffeekanne vom Sockel. Reinigen Sie den Boden der Kaffeekanne, die Heizfläche (achten Sie darauf, dass die Heizfläche kalt ist) und das Sensorglas mit einem feuchten Tuch. Dann können Sie das Gerät zum Starten einer erneuten Kaffe Zubereitung wieder einschalten. Wenden Sie sich an den autorisierten Kundendienst, falls der Fehler erneut auftritt.

2 Verwendung

Zeitüberschreitungsfehler

Die LED der ausgewählten Taste zur Kaffeezubereitung beginnt, rot zu leuchten.



Schalten Sie das Gerät aus. Nehmen Sie die Kaffeekanne vom Sockel. Reinigen Sie den Boden der Kaffeekanne, die Heizfläche (achten Sie darauf, dass die Heizfläche kalt ist) und das Sensorglas mit einem feuchten Tuch. Dann können Sie das Gerät zum Starten einer erneuten Kaffeezubereitung wieder einschalten. Wenden Sie sich an den autorisierten Kundendienst, falls der Fehler erneut auftritt.

Kaffeezubereitungsfehler 1

Die LEDs der Kaffeezubereitungstasten des relevanten Brühers blinken rot.



Schalten Sie das Gerät aus. Nehmen Sie die Kaffeekanne vom Sockel. Reinigen Sie den Boden der Kaffeekanne, die Heizfläche (achten Sie darauf, dass die Heizfläche kalt ist) und das Sensorglas mit einem feuchten Tuch. Dann können Sie das Gerät zum Starten einer erneuten Kaffeezubereitung wieder einschalten. Wenden Sie sich an den autorisierten Kundendienst, falls der Fehler erneut auftritt.

Kaffeezubereitungsfehler 2

Die LEDs aller Kaffeezubereitungstasten leuchten dauerhaft rot.



Schalten Sie das Gerät aus. Nehmen Sie die Kaffeekanne vom Sockel. Reinigen Sie den Boden der Kaffeekanne, die Heizfläche (achten Sie darauf, dass die Heizfläche kalt ist) und das Sensorglas mit einem feuchten Tuch. Dann können Sie das Gerät zum Starten einer erneuten Kaffeezubereitung wieder einschalten. Wenden Sie sich an den autorisierten Kundendienst, falls der Fehler erneut auftritt.

Kein Wasser

Die Wasseranzeige-LED leuchtet dauerhaft rot.



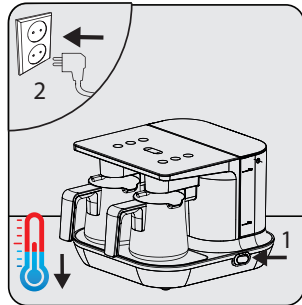
Füllen Sie den Wassertank bis zur Maximalmarkierung mit Wasser. (Wenn kein Wasser mehr vorhanden ist, erlöschen die Kaffeezubereitungstasten und Sie können keine Auswahl treffen.)

3 Reinigung und Pflege

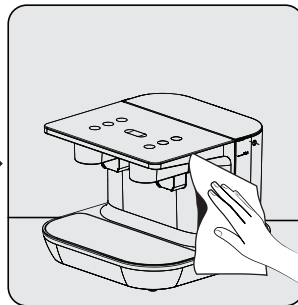
3.1 Reinigung

WARNUNG:

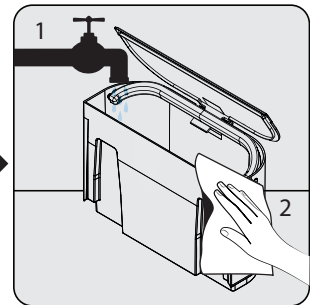
- Da das Gerät während der Kaffeezubereitung heiß wird, warten Sie mit der Reinigung bitte, bis es sich abgekühlt hat.
- Reinigen Sie das Gerät niemals mit Benzin, Lösungsmitteln, Scheuermitteln, Metallgegenständen, harten Bürsten oder ähnlichen Mitteln.
- Tauchen Sie weder das Gerät noch sein Netzkabel in Wasser oder andere Flüssigkeiten.
- Wischen Sie Wassertropfen, die nach mehrmaliger Kaffeezubereitung am Sensorglas (16/17) auftreten, mit einem trockenen Tuch ab.
- Spülen Sie die Kaffeekanne (15) niemals im Geschirrspüler.



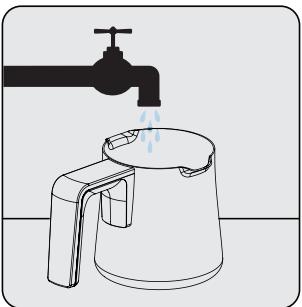
Bringen Sie den Ein-/Aus-Schalter (12) des Gerätes in die Aus-Position (0). Ziehen Sie den Netzstecker. Lassen Sie das Gerät abkühlen.



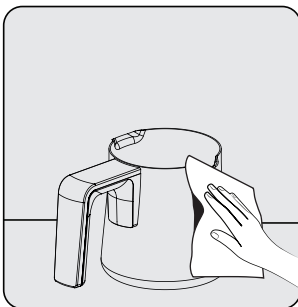
Reinigen Sie die Außenseite des Gerätes mit einem leicht angefeuchteten Tuch und etwas Spülmittel.



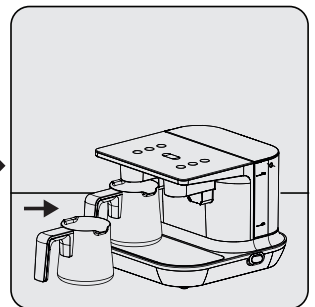
Entfernen Sie den Wassertank (10) des Gerätes. Reinigen Sie ihn unter fließendem Wasser mit etwas Spülmittel. Trocknen Sie ihn anschließend ab und setzen Sie ihn wieder ein.



Spülen Sie die Kaffeekanne von Hand.



Trocknen Sie sie anschließend ab.



Bringen Sie die Kaffeekanne nach dem Abtrocknen wieder an.

3 Reinigung und Pflege

3.1.2 Entkalken

Entfernen Sie Flecken (Kalkablagerungen) in der Kaffeekanne rechtzeitig und ohne Schädigung des Innenbodens, indem Sie einen Dessertlöffel Zitronensäurekristalle in die Kaffeekanne geben und kochendes Wasser darüber gießen, bis die Kanne zu 1/3 gefüllt ist. Warten Sie 10 Minuten. Anschließend können Sie die Kaffeekanne (15) ausleeren und wieder verwenden.



WARNUNG: Wenn Sie das Gerät lange Zeit nicht entkalken, setzt sich der Boden des Wasserbehälters zunehmend mit Kalk zu, wodurch das Gerät möglicherweise nicht mehr funktioniert.

3.2 Aufbewahrung

- Verstauen Sie das Gerät sorgfältig, falls Sie es längere Zeit nicht benutzen sollten.
- Sorgen Sie vor der Lagerung dafür, dass das Gerät vom Stromnetz getrennt, gänzlich abgekühlt und trocken ist.
- Bewahren Sie das Gerät an einem kühlen, trockenen Ort auf.
- Bewahren Sie das Gerät und sein Netzkabel außerhalb der Reichweite von Kindern auf.

3.3 Handhabung und Transport

- Transportieren Sie das Gerät am besten in seiner Originalverpackung. Diese Verpackung schützt das Gerät vor Beschädigungen.
- Legen Sie keine schweren Gegenstände auf dem Gerät oder der Verpackung ab. Andernfalls kann das Gerät beschädigt werden.
- Falls das Gerät herunterfällt, ist es möglicherweise nicht mehr funktionsfähig oder weist dauerhafte Schäden auf.

4 Technische Merkmale des Gerätes



Automatisches Rührsystem, das eine schaumige und ideale Konsistenz des Kaffees gewährleistet.



Mit dieser Technik wird Ihr Kaffee perfekt.



Ein zusätzliches Sicherheitssystem macht eine ständige Beobachtung der Kaffeezubereitung unnötig.

5 Bevor Sie sich an den autorisierten Kundendienst wenden



Prüfen Sie zuerst, ob das Gerät angeschlossen ist oder nicht.



Überprüfen Sie das Kabel auf Brüche oder Schäden.



Prüfen Sie, ob sich genug Wasser im Wassertank befindet. Der Wassertank muss richtig angebracht sein.



Reinigen Sie das Wasserstanderkennungsglas.

Vertriebsniederlassung Österreich für Beko Kleingeräte:

Elektra Bregenz AG
Pfarrgasse 77
A-1230, Wien



<http://at.beko.com/>

Sehr geehrter Kunde!

Vielen Dank, dass Sie sich für ein Qualitätsprodukt von Beko entschieden haben!

Unsere Geräte werden nach den neuesten technischen Erkenntnissen entwickelt, produziert und geprüft.

Sollte trotzdem eine Störung auftreten, so bitten wir Sie, sich mit Ihrem **Fachhändler** bzw. mit der Verkaufsstelle in Verbindung zu setzen.

Gewährleistungsansprüche können **nicht direkt bei Beko** geltend gemacht werden! Behalten Sie deshalb immer Ihre Verkaufsquittung als Beleg.

Wir danken Ihnen, für Ihr Vertrauen und wünschen Ihnen viel Freude mit Ihrem neuen Produkt!

Sehr geehrte Kundin, sehr geehrter Kunde,

als Käufer eines Gerätes der Marke Grundig stehen Ihnen die gesetzlichen Gewährleistungsrechte (Nachbesserung und Nacherfüllung) aus dem Kaufvertrag zu. Die Gewährleistung erfolgt für die Fehlerfreiheit bei Geräteübergabe entsprechend dem jeweiligen Stand der Technik. Über die Gewährleistung hinaus räumt Ihnen der Hersteller eine Garantie ein, diese schränkt die gesetzliche Gewährleistung – die für 24 Monate ab dem Kaufdatum gilt – nicht ein. Garantiert wird die Mängelbeseitigung durch Reparatur oder Austausch nach Wahl des Herstellers.

Sollte eine Störung an Ihrem Gerät auftreten, wenden Sie sich bitte an Ihren Fachhändler bzw. den Verkäufer. Dieser wird vor Ort das Gerät prüfen und den Kundenservice durchführen. Auch soweit Ansprüche aus der Herstellergarantie bestehen, werden diese nur durch den Verkäufer abgewickelt.

Die Garanzzeit beträgt 36 Monate ab Kaufdatum.

Bedingungen:

1. Ein maschinell erstellter Original-Kaufbeleg liegt vor.
2. Das Gerät ist nur mit Original-Zubehör und Original-Ersatzteilen betrieben worden.
3. Die in der Gebrauchsanweisung erwähnten Wartungs- und Reinigungsarbeiten sind entsprechend ausgeführt worden.
4. Das Gerät wurde nicht geöffnet/zerlegt.
5. Bauteile, die einem gebrauchsbedingtem Verschleiß unterliegen, fallen nicht unter die Garantie
6. Ausgewechselte Teile werden Eigentum des Herstellers.
7. Ausgeschlossen von der Garantie sind die Mängel, die durch unsachgemäße Installation, z.B. Nichtbeachtung der VDE-Vorschriften; unsachgemäße Aufstellung, z.B. Nichtbeachtung der Einbau- oder Installationsvorschriften; äußere Einwirkung, z.B. Transportschäden, Beschädigung durch Stoß oder Schlag, Schäden durch Witterungseinflüsse, unsachgemäße Bedienung oder Beanspruchung, z.B. Nichtbeachtung der Gebrauchsanweisungen verursacht wurden.
8. Eine gewerbliche oder gleichzustellende Nutzung, z.B. in Hotels, Pensionen, Gaststätten, Arztpraxen oder Gemeinschaftsanlagen, gilt als eine nicht bestimmungsgemäße Benutzung, die die Garantie ausschließt.
9. Die Mängelbeseitigung verlängert die ursprüngliche Garanzzeit nicht.
10. Schadenersatzansprüche, auch hinsichtlich Folgeschäden, sind, soweit sie nicht auf Vorsatz oder grober Fahrlässigkeit beruhen, ausgeschlossen.
11. Der Anspruch auf Garantieleistung steht nur dem Erstkäufer zu und erlischt bei Weiterverkauf des Produktes durch den Erstkunden.
12. Die Garantie gilt für neue Produkte und nicht für Produkte, die als Gebrauchtgeräte verkauft worden sind und nicht für B-Ware.
13. Die Garantie ist nicht übertragbar.

Diese Garantiezusage ist nur gültig innerhalb der Bundesrepublik Deutschland

Garantiebedingungen - Grundig - 01/2020

Lütfen önce bu kılavuzu okuyun!

Değerli Müşterimiz,

Beko ürününü tercih ettiğiniz için teşekkür ederiz. Yüksek kalite ve teknoloji ile üretilmiş olan ürününüzün size en iyi verimi sunmasını istiyoruz. Bunun için, bu kılavuzun tamamını ve verilen diğer belgeleri ürünü kullanmadan önce dikkatle okuyun ve bir başvuru kaynağı olarak saklayın. Ürünü başka birisine verirsiniz, kullanma kılavuzunu da birlikte verin. Kullanma kılavuzunda belirtilen tüm bilgi ve uyarıları dikkate alarak talimatlara uyun.

Sembollerin anlamları

Bu kullanma kılavuzunun çeşitli kısımlarında aşağıdaki semboller kullanılmıştır:


	Cihazın kullanımıyla ilgili önemli bilgiler ve faydalı tavsiyeler.
--	--

	UYARI: Can ve mal güvenliğiyle ilgili tehlikeli durumlar konusunda uyarılar.
--	---

	Gıda ile temasa uygundur.
--	---------------------------

	Elektrik çarpması uyarısı.
--	----------------------------

	Fonksiyonel topraklama
--	------------------------

	Elektrik çarpmasına karşı koruma sınıfı.
--	--



Bu ürün, çevreye saygılı modern tesislerde doğaya zarar vermeden üretilmiştir.

1. Kontrol paneli
2. Sol göz 3 kişilik kahve pişirme başlatma butonu
3. Sol göz 2 kişilik kahve pişirme başlatma butonu
4. Sol göz 1 kişilik kahve pişirme başlatma butonu
5. Su gösterge ledi
6. Sağ göz 1 kişilik kahve pişirme başlatma butonu
7. Sağ göz 2 kişilik kahve pişirme başlatma butonu
8. Sağ göz 3 kişilik kahve pişirme başlatma butonu
9. Küçük-Orta-Büyük fincan boyutu ayar butonları
10. Su deposu (1,5 lt)
11. Şebeke kablosu
12. On/Off butonu
13. Sağ göz ısıtıcı yüzeyi
14. Sol göz ısıtıcı yüzeyi
15. Pişirme hazneleri - 2 adet
16. Sağ göz pişirme algılama sensörü
17. Sol göz pişirme algılama sensörü
18. Kahve ölçü kaşığı

Teknik veriler

Güç: Toplam Beyan Giriş Gücü : 1100 W
İndüksiyonlu Isıtma Giriş Gücü: 2 X 525 W = 1050 W
Gerilim: 220-240 V AC ~, 50-60 Hz
Elektriksel izolasyon sınıfı: II



Teknik ve tasarım değişiklikleri yapma hakkı saklıdır.

Ürününüz üzerinde bulunan işaretlemelerde veya ürünle birlikte verilen diğer basılı dokümanlarda beyan edilen değerler, ilgili standartlara göre laboratuvar ortamında elde edilen değerlerdir. Bu değerler, ürünün kullanım ve ortam şartlarına göre değişebilir.

Bu bölümde, yaralanma ya da maddi hasar tehlikelerini önlemeye yardımcı olacak güvenlik talimatları yer almaktadır.

Bu talimatlara uyulmaması halinde her türlü garanti geçersiz hale gelir.

1.1 Genel güvenlik

- Bu cihaz, uluslararası güvenlik standartlarına uygundur.
- Bu cihazı dış mekanlarda ve banyoda kullanmayın.
- Hatalı kullanımdan veya cihazın uygunsuz şekilde taşınmasından kaynaklanan hasarlar için herhangi bir sorumluluk veya garanti talebi kabul edilmez.
- Cihazın montajlı parçalarını kesinlikle ayırmaya, parçalamaya çalışmayın.
- Sadece orjinal parçaları veya üretici tarafından tavsiye edilen parçaları kullanın.
- Cihazı daima dengeli, düz, temiz, kuru ve kaymayan bir yüzey üzerinde kullanın.
- Pişirme haznesinin içerisine kahve ve şekerden başka hiçbir madde koymayın.
- Pişirdiğiniz Türk kahvesini pişirme haznesi ile içmeyin.
- Türk kahve makinesi 4-37°C %80 bağıl nemde çalışmak üzere tasarlanmıştır.
- Üretim teknolojisinden dolayı ilk kullanımda cihazınızın ısıtıcısında buhar ve koku oluşabilir. Bu durum normaldir. Birkaç kullanımdan sonra düzelecektir.
- UYARI: Pişirme işlemi esnasında cihazı hareket ettirmeyin ve pişirme haznesini yerinden çıkarmayın.
- Cihazı, pişirme haznesi içerisinde sıvı bulunurken veya cihaz sıcakken hareket ettirmeyin.
- Pişirme haznesi ve ısıtıcı yüzeyi kullanım sırasında ısınmaktadır. Bu sebeple kullanım sırasında ve sonrasında (soğuyana kadar) ısıtıcı yüzeyine ve pişirme haznesine temas etmeyin.
- UYARI: Kahve pişirme işlemi esnasında pişirme haznesi üzerinde bir miktar sıcak buhar oluşabilir, sıcak buhardan etkilenme riskine karşı bu kısımlara temastan kaçınınız.

1

Önemli güvenlik ve çevre talimatları

- Sıcak yüzeylere temastan kaçının ve pişirme haznesini sadece taşıma sapından tutarak kullanın.
- Cihaz hareket ettirilmeden önce kapalı konumunda olduğundan emin olun.
- Pişirme haznesinin bulunduğu alt yüzey (siyah cam yüzey), kullanım sırasında ısınmaktadır. Bu sebeple kullanım sırasında ve cihaz soğuyana kadar bu bölgeye dokunmayın.
- Bu cihaz, ilave koruma için azami 30 mA'lık ev tipi bir kaçak akım koruma sigortasına bağlanmış olmalıdır.
- Cihazı topraklı prizde kullanın.
- Besleme kablosu hasarlanırsa tehlikeli bir duruma engel olmak için kullanmayı bırakın, imalatçısı veya servis acentesi ya da aynı derecede nitelikli bir personel tarafından değiştirilmesini sağlayın.
- Cihaz veya cihazın herhangi bir parçası hasarlıysa kullanmayın. Yetkili servise başvurun.
- Cihazı uzatma kablosuyla kullanmayın.
- Cihazı, elektrik kablosunu veya elektrik fişini suya ya da diğer sıvılara batırmayın, suyun altına tutmayın.
- Elleriniz nemli veya ıslakken cihaza veya cihazın fişine dokunmayın.
- Cihazı elektrik fişine her zaman ulaşabilecek şekilde yerleştirin.
- Elektrik kablosunun hasar görmesini önlemek için sıkışmasını, kıvrılmasını veya keskin kenarlara sürtünmesini engelleyin. Elektrik kablosunu sıcak yüzeylerden ve çıplak alevden uzak tutun.
- Cihazın kullanımı esnasında elektrik kablosunun yanlışlıkla çekilmesi veya birinin kabloya takılma tehlikesinin olmadığından emin olun.
- Cihazı temizlemeden önce fişini prizden çekin ve cihaz kullanımdayken temizlik yapmayın.
- Fişi prizden çıkarmak için kablodan çekmeyin ve kablosunu cihazın etrafına sarmayın.
- Şebeke güç kaynağınız cihazın tip etiketinde belirtilen bilgilere uygun olmalıdır.

- Cihazı parlayıcı veya yanıcı ortamların ve maddelerin bulunduğu yerde veya yakınında kullanmayın.
- Cihazı ısı kaynakları (ocak, mangal, kalorifer, soba vs.) yanında ve yakınında kullanmayın.
- Cihazı buhar kaynaklarından uzak tutun ve aşırı buharlı ortamlarda kullanmamaya özen gösterin.
- Pişirme haznesini cihaz dışında hiçbir ısıtıcıda kullanmayın (ocak vb.).
- Cihazın üzerine herhangi bir malzeme (fincan, pişirme haznesi vs.) koymayınız.
- Bu cihaz ticari kullanıma uygun değildir, aşağıda belirtilen yerler gibi, ev ve benzeri uygulamalarda kullanılması amaçlanır:
 - Dükkanlarda,bürolarda ve diğer çalışma ortamlarındaki personele ait mutfak alanları,
 - Çiftlik evleri,
 - Müşteriler tarafından,motellerde,otellerde kullanılan yerler ve diğer mesken tipi çevreler,
 - Yatma yerleri ve kahvaltı yapılan ortamlar.
- Cihaz sadece kahve hazırlamak için kullanılabilir.
- Cihaz çocukların ve sınırlı fiziksel, duyuusal ya da zihinsel kapasiteye sahip insanların yakınında kullanıldığında son derece dikkatli olunması tavsiye edilir.
- Cihaz, 8 yaş ve üzeri çocuklar ve fiziksel, algısal ve zihinsel yetenekleri azalmış veya tecrübe ve bilgi eksikliği olan kişiler tarafından gözetim altında veya cihazın güvenli bir şekilde kullanımına ve karşılaşılan ilgili tehlikelerin anlaşılmasına dair talimat verilirse kullanılabilir. Çocuklar cihazla oynamamalıdır.
- Temizlik ve kullanıcı bakım işlemleri, 8 yaş üzeri ve başlarında bir büyük olmadığı sürece çocuklar tarafından yapılmamalıdır.
- Ambalaj malzemelerini saklıyorsanız, çocuklardan uzak tutun.
- Cihazı ve elektrik kablosunu, 8 yaş altı çocukların ulaşamayacağı bir yerde muhafaza edin.
- Çocuklar gözetim altında tutularak cihazla oynamadıklarından emin olun.

- Bu ürün yalnızca fonksiyonel amaçlı toprak bağlantısı içerir.
- Kalp pili kullanıyorsanız cihazı kullanmadan önce üreticiye danışın.
- Temizlik ve bakım işlemlerini bu kılavuzun "Temizlik ve Bakım" bölümünde belirtilen talimatlara uygun olarak yapın.
- **UYARI:** Eğer pişirme yüzeyinde herhangi bir hasar (çatlak, kırık vb.) varsa elektrik çarpması riskine karşı cihazı acilen enerji beslemesinden ayırın ve kullanmayın, yetkili servise başvurun.
- Su deposuna su haricinde başka bir sıvı (süt, süt tozu vb.) kesinlikle doldurmayın.
- Su deposunu max. seviye işaretinin üzerinde doldurmayın.
- Pişirme işlemi esnasında pişirme haznesine kaşık vb. gereçlerle karıştırma yapmayın/müdahalede bulunmayın.
- Mutfak takımları, bıçaklar vb. gibi metal cisimleri ısınacakları için pişirme bölgeleri içindeki sıcak yüzeylere bırakmayın.

- Cihazları harici bir zamanlayıcı veya ayrı bir uzaktan kumanda sistemiyle çalıştırmayın.
- Bu cihaz ankastre şekilde kullanılamaz ve dolap içinde kullanılmak üzere tasarlanmamıştır. Kahve makinesi çalışır haldeyken dolaba koyulmamalıdır.

1.2 AEEE yönetmeliğine uyum ve atık ürünün elden çıkarılması



Bu ürün, T.C. Çevre ve Şehircilik Bakanlığı tarafından yayımlanan "Atık Elektrikli ve Elektronik Eşyaların Kontrolü Yönetmeliği"nde belirtilen zararlı ve yasaklı maddeleri içermez. AEEE Yönetmeliğine uygundur. Bu ürün, geri dönüşümlü ve tekrar kullanılabilir nitelikteki yüksek kaliteli parça ve malzemelerden üretilmiştir. Bu nedenle, ürünü, hizmet ömrünün sonunda evsel veya diğer atıklarla birlikte atmayın. Elektrikli ve elektronik cihazların geri dönüşümü için bir toplama noktasına götürün. Bu toplama noktalarını bölgenizdeki yerel yönetime sorun. Kullanılmış ürünleri geri kazanıma vererek çevrenin ve doğal kaynakların korunmasına yardımcı olun.

1.3 Ambalaj bilgisi



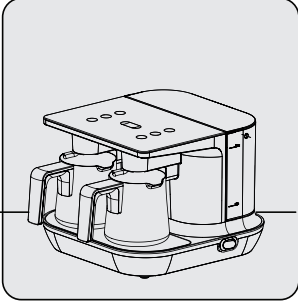
Ürünün ambalajı, Ulusal Mevzuatımız gereği geri dönüştürülebilir malzemelerden üretilmiştir. Ambalaj atığını evsel veya diğer atıklarla birlikte atmayın, yerel otoritenin belirttiği ambalaj toplama noktalarına atın.

2 Kullanım

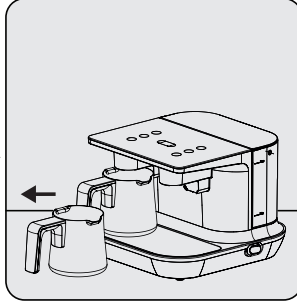
2.1 İlk kullanım

i Kullanma kılavuzunu tamamen okumadan ürününüzü kullanmayın.

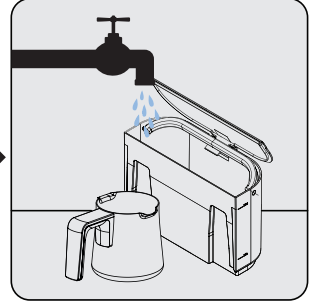
Cihazın dik konumda ve dengeli, düz, temiz, kuru ve kaymayan bir yüzeyde durduğundan emin olun.



Cihazı dik konumda, düz, temiz ve kuru bir zemine yerleştirin.



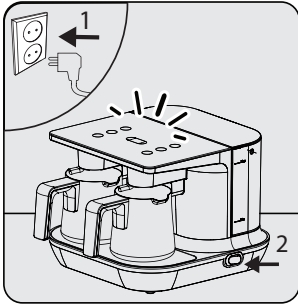
Pişirme haznesini (15), pişirme haznesi yuvasından hafifçe çekerek çıkarın.



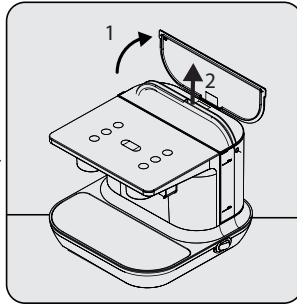
Su deposunu (10) ve pişirme haznesini (15) elde yıkayın ve kurulaştırın.

i Lezzetli bir kahve elde etmek için pişirme haznesinin (15) içinin kuru ve temiz olmasına dikkat edin.

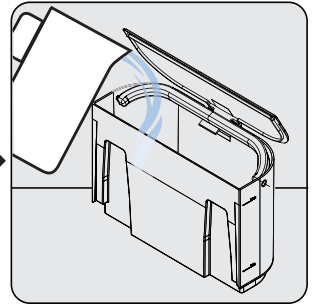
i Kahve hazırlarken, pişirme haznesinin (15) tabanının altında su damlacıklarının olmamasına dikkat edin. Aksi takdirde su damlacıkları sıcak tabana temas eder ve rahatsız edici bir ses oluşturur.



Fişi (11) prize takın. On/off butonunu (12) açık (I) konumuna getirin.
- Kontrol panelindeki (1) tüm butonlar beyaz yanar.



Cihazın su deposu kapağını açın. Ardından tutma sapından hafifçe yukarı doğru çekerek çıkarın.

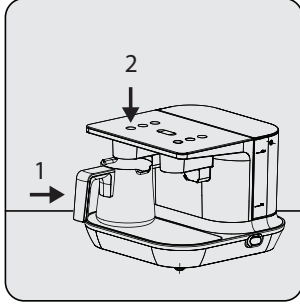


Su deposuna (10) min-maks. çizgileri arasında su doldurun. Kapağını kapatın ve yerine yerleştirin.

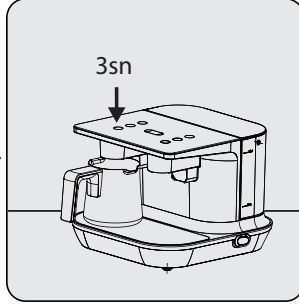
2 Kullanım

i İsteğinize göre su deposunu (10) tamamen yerinden çıkarmadan da doldurabilirsiniz. Cihaz su bitti uyarısı (5) verdikten sonra aynı işlemi tekrarlayın.

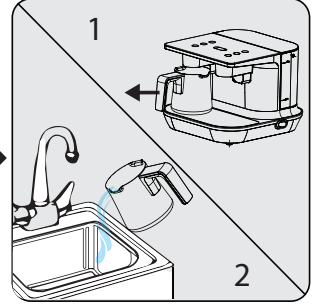
Pompa ve su sisteminin su ile dolması ve sistemdeki havanın atılması için;



Pişirme haznesini sol göz ısıtıcı yüzeyine (14) yerleştirin. Sol göz 3 kişilik pişirme butonuna (2) basın.



Su basma işlemi bitince aynı butona 3 saniye basılı tutun ve pişirme işlemini sonlandırın.



Pişirme haznesini (15) yerinden alın ve pişirme haznesi içindeki suyu lavaboya dökün.

i Bu sayede cihazınız içinde bulunan pompanın doğru şekilde çalışmasını sağlamış olursunuz.

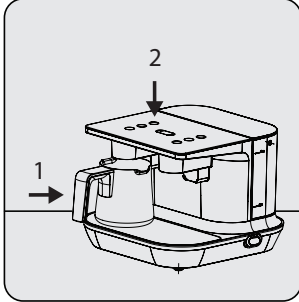


UYARI: Bu işlemi su deposunu yerinden çıkartıp yerine taktıktan sonra, kahve pişirmeden önce de tekrarlayın.

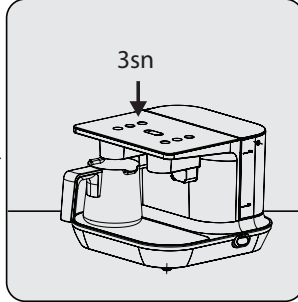
Fincan boyutunuza göre su miktarı ayarının yapılması için;

	Tek kişilik küçük fincan	Ortalama 60 ml.
	Tek kişilik orta fincan	Ortalama 70 ml.
	Tek kişilik büyük fincan	Ortalama 80 ml.

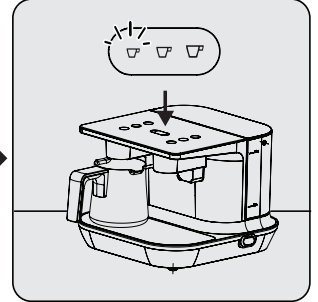
2 Kullanım



Piştirme haznesini (15) sol göz ısıtıcı yüzeyine (14) yerleştirin. Sol göz 1 kişilik piştirme butonuna (4) basın.



Su basma işlemi bitince aynı butona 3 saniye basılı tutarak piştirme işlemini sonlandırın ve piştirme haznesi (15) içindeki suyu fincanınıza boşaltın.



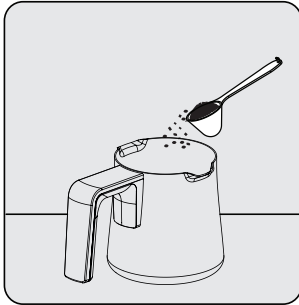
Fincanınıza boşalttığınız su miktarının az ya da çok olması durumunda fincan su ayar butonuna basarak küçük-orta-büyük (9) ayarlayın. Fincan boyutu ayar butonuna (9) basarak kademeler arasında geçiş yapabilirsiniz. İsteddiğiniz fincan boyutu ledi yandığında işlemi sonlandırın.



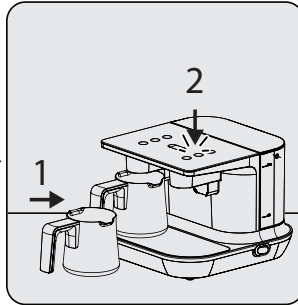
Fincan boyutu ledi, ürünün ayarlı olduğu su kademesini gösterecektir.

Su miktarı ayarlamasını fincan boyutu değişikliği yaptığınız zaman tekrarlayın. Su miktarı ayarlamasını fincan boyutu değişikliği yaptığınız zaman tekrarlayın.

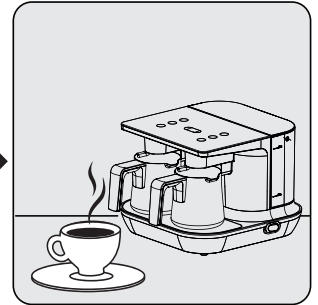
2.2 Piştirme



3 kişiye kadar istediğiniz miktar kahveyi ve şekerini piştirme haznesine (15) koyun.



Piştirme haznesini (15) yerine yerleştirin. Piştirme haznesini (15) yerleştirdiğiniz gözün üzerinde bulunan, piştirme haznesine eklediğiniz kahve miktarına göre kişi adedini gösteren piştirme başlatma butonuna hafifçe bastırın.
- Seçilen butonun ışığı beyaz yanar.



Piştirme işlemi tamamlandıktan sonra cihaz sesli uyarı verir ve ilgili piştirme başlatma butonu ledi beyaz renkte yanıp sönmeye başlar. Led sönmek beyaza döndüğünde, piştirme haznesini (15) hafifçe geri doğru çekerek çıkarın ve kahvenizi fincanınıza doldurun.

2 Kullanım



WARNING:

- Isıtıcı yüzeyinin (13-14) lekelenmemesine dikkat edin. Isıtıcı yüzeyine kahve damlattığınızda kurumadan hafif nemli bezle silin.
- Pişirme haznesini Türk kahvesi Makinesi dışında hiçbir ısıtıcıda kullanmayın! (Ocak vb.)
- Pişirme haznesini (15) yerine tam yerleştirmeden cihaz çalışmayacaktır.
- Hazneyi yuvasına, arkaya tam deęecek şekilde ve dik olarak yerleştirin. Aksi takdirde ürününüz çalışmayacaktır.



- Pişirme süresi 1 kişilik kahve için 1-1.5 dk. , 2 kişilik kahve için 1.5-2.5 dk. , 3 kişilik kahve için 2-3.5 dk.'dir.
- Lezzetli bir kahve için, pişirme haznesini (15) pişirme haznesi yuvasından bekletmeden alın!
- Köpüğün ve telenin pişirme haznesinde (15) kalmaması için kahveyi fincana hızlı bir şekilde boşaltın.
- Herhangi bir sebepten dolayı pişirme işlemini iptal etmek için seçtiğiniz kahve pişirme başlatma düğmesine 3 saniye boyunca basılı tutun.

2.3 Miktarlar

Cihaz, türk kahvesi yapmak için tasarlanmış pratik bir cihazdır. Tabloda belirtilen ölçüler kullanılarak damak tadınıza uygun, köpüklü türk kahvesi yapabilirsiniz. Aşağıda belirtilen ölçüler sadece rehberdir. Bu ölçüleri kişisel tercihlerinize göre ayarlayabilirsiniz.

- Tek, çift, veya üç kişilik kahveyi ölçü kaşığı kullanarak, şekeri isteğinize göre ve suyu fincan boyutunuza göre (tavsiye edilen fincan boyutu 65ml) pişirme haznesine ekleyin.
- Belirtilen miktarlar, bir kişilik orta boy bir fincana karşılık gelmektedir. Kahve ölçüm kaşığı olarak ürünle birlikte verilen ölçüm kaşığını kullanabilirsiniz. Köpüklü lezzetli bir kahve pişirmek için, Türk kahvesine uygun ince çekilmiş taze kahve kullanın.

Türk kahvesi hazırlamasında tavsiye edilen mazleme ölçekleri				
	Sade	Az şekerli	Orta	Şekerli
Kahve	1 ölçek	1 ölçek	1 ölçek	1 ölçek
Şeker	-	Yarım kesme şeker/ yarım çay kaşığı toz şeker	1 adet kesme şeker/ 1 çay kaşığı toz şeker	2 adet kesme şeker/ 2 çay kaşığı toz şeker

*Verilen miktarlar tek kişilik kahve içindir.

*Tek haznede en fazla 3 kişilik kahve yapılabilir.

*Şeker oranının daha kolay ayarlanabilmesi için kesme şeker kullanılması tavsiye edilir.

2.4 Uyku Modu

Cihazda 3 dakika boyunca hiçbir işlem yapılmazsa bip sesi ile birlikte bekleme (Stand-by) konumuna geçer. Kahve pişirme başlatma butonuna veya fincan boyutu ayar butonuna basıldığında uyarı sesi duyulur ve cihaz uyku modundan çıkar.

2 Kullanım

2.5 Bildirimler

Ürün pişirmeye hazır

Seçim yapılan fincan boyutu ledi sabit yanan beyaz ışık. Pişirme başlatma butonu ledleri sönmük beyaz ışık.



Pişiriyor

Seçim yapılan pişirme başlatma buton ledi sabit yanan beyaz ışık.



Bekleyin

Pişirme haznesini yerinden almayın.

Pişirdi

Seçim yapılan pişirme başlatma buton ledi yanıp sönen beyaz ışık.



Pişirme haznesini yerinden alın, kahvenizi fincana alarak servis edin.

Seviye aşım hatası

Seçim yapılan başlatma butonu ledi yanıp sönen kırmızı ışık.



Ürünü kapatın. Pişirme haznesini yuvasından alın. Pişirme haznesi tabanını, ısıtıcı yüzeyini (ısıtıcı yüzeyinin soğuk olduğundan emin olun) ve sensör camını nemli bir bez ile temizleyin. Ürünü tekrar açarak yeni bir pişirme işlemini başlatabilirsiniz. Hatanın tekrarlanması halinde servise başvurun.

2 Kullanım

Zaman aşım hatası

Seçim yapılan başlatma butonu ledi sabit yanan kırmızı ışık



Ürünü kapatın. Pişirme haznesini yuvasından alın. Pişirme haznesi tabanını, ısıtıcı yüzeyini (ısıtıcı yüzeyinin soğuk olduğundan emin olun) ve sensör camını nemli bir bez ile temizleyin. Ürünü tekrar açarak yeni bir pişirme işlemini başlatabilirsiniz. Hatanın tekrarlanması halinde servise başvurun.

Pişirme hatası 1

İlgili göz pişirme başlatma buton ledleri yanıp sönen kırmızı ışık.



Ürünü kapatın. Pişirme haznesini yuvasından alın. Pişirme haznesi tabanını, ısıtıcı yüzeyini (ısıtıcı yüzeyinin soğuk olduğundan emin olun) ve sensör camını nemli bir bez ile temizleyin. Ürünü tekrar açarak yeni bir pişirme işlemini başlatabilirsiniz. Hatanın tekrarlanması halinde servise başvurun.

Pişirme hatası 2

Tüm pişirme başlatma buton ledleri sabit yanan kırmızı ışık



Ürünü kapatın. Pişirme haznesini yuvasından alın. Pişirme haznesi tabanını, ısıtıcı yüzeyini (ısıtıcı yüzeyinin soğuk olduğundan emin olun) ve sensör camını nemli bir bez ile temizleyin. Ürünü tekrar açarak yeni bir pişirme işlemini başlatabilirsiniz. Hatanın tekrarlanması halinde servise başvurun.

Su yok

Su gösterge ledi sabit yanan kırmızı ışık



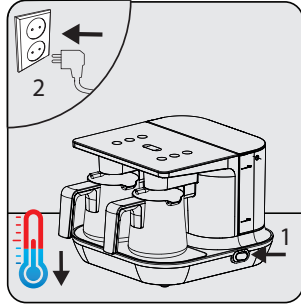
Su deposunu max. çizgisine kadar su doldurunuz. (Su bittiğinde kahve pişirme başlatma butonları söner ve seçim yapılmaz)

3 Temizlik ve bakım

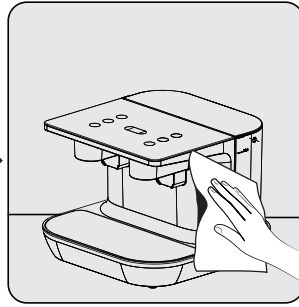
3.1 Temizlik

UYARI:

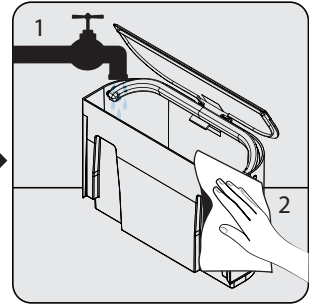
- Pişirme esnasında cihaz ısınacağından, pişirme sonrası temizlik yapılmak istenildiğinde soğumasını bekleyin.
- Cihazı temizlemek için benzin, solvent, aşındırıcı temizleyiciler, metal nesnelere veya sert fırçalar kullanmayın.
- Cihazı ya da şebeke kablosunu suya ya da diğer sıvılara batırmayın.
- Peş peşe pişirme sonrası cihazın sensör camında (16-17) oluşan su damlacıklarını kuru bir bez ile silin.
- Pişirme haznesini (15) bulaşık makinesinde yıkamayın.



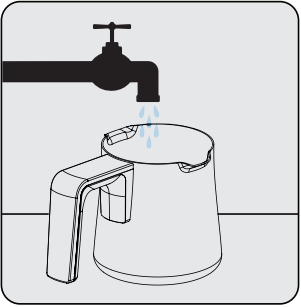
Cihazın On/off düğmesini (12) kapalı (0) konuma getirin. Fişini prizden çekin. Cihazı soğumaya bırakın.



Cihazın dış yüzeyini temizlemek için nemli bir bez ve az miktarda bulaşık deterjanı kullanın.



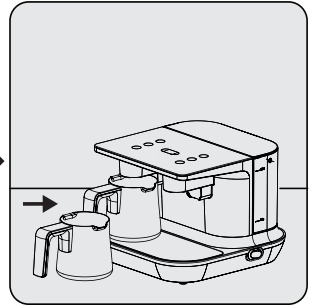
Cihazın su deposunu (10) çıkarın. Akan suyun altında az miktarda bulaşık deterjanı ile birlikte yıkayın. Ardından kurulayın ve yerine yerleştirin.



Piştirme haznesini elde yıkayın.



Ardından kurulayın.



Piştirme haznesini kuruladıktan sonra yerine yerleştirin.

3 Temizlik ve bakım

3.1.2 Kireç çözme

Kullanımlar sonucu zamanla pişirme haznesinde oluşabilecek izleri (tortuları) pişirme haznesinin iç taban yüzeyine zarar vermeden temizlemek için bir tatlı kaşığı limon tuzunu pişirme haznesine boşaltınız ve kaynama sıcaklığındaki suyu pişirme haznesinin 1/3'ünü dolduracak şekilde limon tuzu üzerine boşaltınız. Karışımı 10 dk bekletiniz. Bekleme sonrasında pişirme haznesini (15) durulayarak tekrar kullanabilirsiniz.



UYARI: Kireç çözme işlemini uzun süre yapmazsanız, cihazın su hazne tabanı tamamen kireçle kaplanır ve kullanılmaz hale gelir.

3.2 Saklama

- Cihazı uzun süre kullanmayı düşünmüyorsanız, dikkatli bir şekilde saklayın.
- Cihaz fişinin çekildiğinden, cihazın soğuduğundan ve tamamen kuru olduğundan emin olun.
- Cihazı serin ve kuru bir yerde saklayın.
- Cihazı ve kablolarını, çocukların ulaşamayacağı bir yerde muhafaza edin.

3.3 Taşıma ve nakliye

- Taşıma ve nakliye sırasında cihazı orijinal ambalajı ile birlikte taşıyın. Cihazın ambalajı, cihazı fiziksel hasarlara karşı koruyacaktır.
- Cihazın veya ambalajının üzerine ağır cisimler koymayın. Cihaz zarar görebilir.
- Cihazın düşürülmesi durumunda cihaz çalışmayabilir veya kalıcı hasar oluşabilir.

4 Cihazın teknolojik üstünlükleri



Bol köpük ve en uygun kıvamda olmasını sağlayan otomatik karıştırma sistemi



Kahvenin en ideal kıvamında pişmesini sağlayan teknoloji



Kahve pişirilirken başında bekleme zorunluluğu kaldıran ek güvenlik sistemi

5 Servis çağırmadan önce yapılması gerekenler



Öncelikle ürününüzü prize takıp takmadığınızı kontrol edin.



Kabloda bir kopukluk ya da zedelenme olup olmadığını kontrol edin.



Su deposunda su olup olmadığını ve su deposunun yerine takılıp takılmadığını kontrol edin.



Seviye algılama camını temizleyin.

Müşteri Memnuniyeti Politikası

- Müşterilerimizin istek ve önerilerini her kanaldan karşılamaktan mutluluk duyarız.

Kanalları:

* Çağrı Merkezimiz:

444 0 888

(Sabit telefonlardan veya cep telefonlarından alan kodu çevirmeden arayın*)

* Diğer Numaramız

0216 585 8 888

- Çağrı Merkezimiz haftanın 7 günü 24 saat hizmet vermektedir.
- Çağrı Merkezimiz ile yaptığınız görüşmeler iletişim hizmeti aldığınız operatör firma tarafından sizin için tanımlanan tarifeye göre ücretlendirilir.
- Sabit veya cep telefonlarınızdan alan kodu tuşlamadan çağrı merkezi numaramızı arayarak ürününüz ile ilgili arzu ettiğiniz hizmeti talep edebilirsiniz.

* Whatsapp Numaramız:

0 544 444 8 888

* Faks Numaramız:

- 0216-423-2353

* Web Adresimiz:

- www.beko.com.tr

* e-posta Adresimiz:

- musteri.hizmetleri@beko.com

* Sosyal Medya Hesaplarımız:

- <https://www.instagram.com/bekoturkiye/>

- https://twitter.com/beko_tr

- <https://www.facebook.com/bekoturkiye/>

- <https://www.youtube.com/user/BekoChannel>

* Posta Adresimiz:

- Arçelik A.Ş. Karaağaç Caddesi No:2-6,
34445, Söğütözü / İSTANBUL

* Bayilerimiz,

- <https://www.beko.com.tr/yetkili-saticilar/>

- Müşterilerimizden iletilen istek ve önerilerin Beko'ya ulaştığı bilgisini, müşteri profili ayrımı yapılmaksızın kendilerine 24 saat içinde veririz.
- Müşteri Hizmetleri sürecimiz:
Müşterilerimizin istek ve önerilerini;
 - * İzlenebilir, raporlanabilir, şeffaf ve güvenli tek bir bilgi havuzunda toplarız.
 - * Yasal düzenlemelere uygun, objektif, adil ve gizlilik içinde ele alır ve değerlendiririz.
 - * Bu geri bildirimleri süreçlerimizin daha mükemmel hale getirilmesinde kullanırız.
- Beko olarak, mükemmel müşteri deneyimini yaşatmayı ana ilke olarak kabul eder, müşteri odaklı bir yaklaşım benimseriz.
- Bütün süreçlerimizi yönetim sistemi ile entegre ederek birbirini kontrol eden bir yapı geliştirilmesini sağlarız.
Yönetim hedeflerini de bu sistem üzerinden besleriz.

Aşağıdaki önerilere uymanızı rica ederiz.

- Ürününüzü aldığınızda Garanti belgesini Yetkili Satıcınıza onaylattırınız.
- Ürününüzü kullanma kılavuzu esaslarına göre kullanınız.
- Ürününüz ile ilgili hizmet talebiniz olduğunda yukarıdaki telefon numaralarından Çağrı Merkezimize başvurunuz.
- Hizmet için gelen teknisyene "teknisyen kimlik kartı" nı sorunuz.
- İşiniz bittiğinde Yetkili servis teknisyeninden "Hizmet Fişi" istemeyi unutmayınız. alacağınız "Hizmet Fişi" , ilerde ürününüzde meydana gelebilecek herhangi bir sorunda size yarar sağlayacaktır.
- Ürünün kullanım ömrü: 7 yıldır. (Ürünün fonksiyonunu yerine getirebilmesi için gerekli yedek parça bulundurma süresi)

1**Müşteri Başvurusu**

Web sitesi

444 0 888
Çağrı merkezi

Yetkili Servis

musteri.hizmetleri
@beko.com

Yetkili Satıcı

Faks
0216 423 23 53**2****Başvuru kaydı**Başvuru Konusu
Müşteri Adı, Soyadı
Müşteri Telefonu
Müşteri Adresi**3****Hizmet talebinin alınması**

- Hizmet talebi analizi
- Hizmet hakkında müşterinin bilgilendirilmesi (Keşif,nakliye,montaj,bilgi,onarım,değişim vb.)
- Hizmet hakkında gerekli işlemin gerçekleştirilmesi

4**Müşteri memnuniyetinin alınması**

Memnun

Memnun
değil**5****Başvuru kaydının kapatılıp, bilgilerin saklanması**

Bu kılavuzu okumadan ürününüzü çalıştırmayınız.

Ürününüz ile ilgili garanti şartları, kullanımı ve sorun giderme yöntemleri kılavuzda yer almaktadır.

Uygun Kullanım ve Garanti ile İlgili Dikkat Edilmesi Gereken Hususlar;

Aşağıda belirtilen sorunların giderilmesi ücret karşılığında yapılır. Bu durumlar için garanti şartları uygulanmaz;

- 1) Kullanım hatalarından kaynaklanan hasar ve arızalar,
- 2) Malin tüketiciye tesliminden sonraki yükleme, boşaltma, taşıma vb. sırasında oluşan hasar ve arızalar,
- 3) Malin kullanıldığı yerin elektrik (priz, gerilim, topraklama vb.), su (su basıncı, musluk vb.), doğalgaz, telefon, internet vb. şebekesi ve/veya altyapısı (gider, zemin, ortam vb.) kaynaklı meydana gelen hasar ve arızalar,
- 4) Doğa olayları ve yangın, su baskını vb. kaynaklı meydana gelen hasar ve arızalar,
- 5) Malin tanıtma ve kullanma kılavuzlarında yer alan hususlara aykırı kullanılmasından kaynaklanan hasar ve arızalar,
- 6) Malin, 6502 sayılı Tüketicinin Korunması Hakkındaki Kanununda tarif edilen şekli ile ticari veya mesleki amaçlarla kullanımı durumunda ortaya çıkan hasar ve arızalar,
- 7) Mala yetkisiz kişiler tarafından bakım, onarım veya başka bir nedenle müdahale edilmesi

Durumlarında mala verilmiş garanti sona erecektir.

Garanti uygulaması sırasında değiştirilen malın garanti süresi, satın alınan malın kalan garanti süresi ile sınırlıdır.

İthalatçı/İmalatçı: Arçelik A.Ş.

Menşei: Türkiye

GARANTİ ŞARTLARI

- 1) Garanti süresi, malın teslim tarihinden itibaren başlar ve 2 yıldır.
- 2) Malın tanıtma ve kullanma kılavuzunda gösterildiği şekilde kullanılması ve Arçelik A.Ş.'nin yetkili kıldıği servis çalışanları dışındaki şahıslar tarafından bakım, onarım veya başka bir nedenle müdahale edilmemiş olması şartıyla, malın bütün parçaları dahil olmak üzere tamamını; malzeme, işçilik ve üretim hatalarına karşı malın teslim tarihinden itibaren yukarıda belirtilen süre kadar garanti eder.
- 3) Malın ayıplı olduğunun anlaşılması durumunda tüketici, 6502 sayılı Tüketicinin Korunması Hakkında Kanunun 11 inci maddesinde yer alan;
a- Sözleşmeden dönme, c- Ücretsiz onarılmasını isteme,
b- Satış bedelinden indirim isteme, ç- Satılanın ayıpsız bir misli ile değiştirilmesini isteme,
haklarından birini kullanabilir.
- 4) Tüketicinin bu haklardan ücretsiz onarım hakkını seçmesi durumunda satıcı; işçilik masrafı, değiştirilen parça bedeli ya da başka herhangi bir ad altında hiçbir ücret talep etmeksizin malın onarımını yapmak veya yaptırmakla yükümlüdür. Tüketici ücretsiz onarım hakkını üretici veya ithalatçıya karşı da kullanabilir. Satıcı, üretici ve ithalatçı tüketicinin bu hakkını kullanmasından müstesilsen sorumludur.
- 5) Tüketicinin, ücretsiz onarım hakkını kullanması halinde malın;
- Garanti süresi içinde tekrar arızalanması,
- Tamiri için gereken azami sürenin aşılması,
- Tamirinin mümkün olmadığının, yetkili servis istasyonu, satıcı, üretici yada ithalatçı tarafından bir raporla belirlenmesi durumlarında;

tüketici malın bedel iadesini, ayıp oranında bedel indirimi veya imkân varsa malın ayıpsız misli ile değiştirilmesini satıcıdan talep edebilir. Satıcı, tüketicinin talebini reddedemez. Bu talebin yerine getirilmemesi durumunda satıcı, üretici ile ithalatçı müstesilsen sorumludur.

- 6) İlgili mevzuatlarda belirlenen kullanım ömrü süresince malın azami tamir süresi 20 iş gününü, geçemez. Bu süre, garanti süresi içerisinde mala ilişkin arızanın yetkili servis istasyonuna veya satıcıya bildiri tarihinde, garanti süresi dışında ise malın yetkili servis istasyonuna teslim tarihinden itibaren başlar. Garanti kapsamı içerisindeki malın arızasının 10 iş günü içerisinde giderilememesi halinde, üretici veya ithalatçı; malın tamiri tamamlanıncaya kadar, benzer özelliklere sahip başka bir mal tüketicinin kullanımına tahsis etmek zorundadır. Benzer özelliklere sahip başka bir malın tüketici tarafından istenmemesi halinde üretici veya ithalatçılar bu yükümlülüğünden kurtulur. Malın garanti süresi içerisinde arızalanması durumunda, tamirde geçen süre garanti süresine eklenir.
- 7) Malın kullanma kılavuzunda yer alan hususlara aykırı kullanımlarından kaynaklanan hasar ve arızalar garanti kapsamı dışındadır.
- 8) Tüketici, garantiden doğan haklarının kullanılması ile ilgili olarak çıkabilecek uyuşmazlıklarda yerleşim yerinin bulunduğu veya tüketici işleminin yapıldığı yerdeki Tüketici Hakem Heyetine veya Tüketici Mahkemesine başvurabilir.
- 9) Satıcı tarafından bu Garanti Belgesinin verilmemesi durumunda, tüketici Ticaret Bakanlığı Tüketicinin Korunması ve Piyasa Gözetimi Genel Müdürlüğüne başvurabilir.

Üretici veya İthalatçı Firmanın:

Unvanı: Arçelik A.Ş.
Adresi: Arçelik A.Ş. Karaağaç Caddesi No:2-6,
34445, Sütluçe / İSTANBUL
Telefonu: (0-216) 585 8 888
Faks: (0-216) 423 23 53
web adresi: www.beko.com.tr

Malın

Markası: Beko
Cinsi: Türk Kahvesi Makinesi
Modeli: TKM 8961K/A/S/B
Bandrol ve Seri No:
Garanti Süresi: 2 YIL
Azami Tamir Süresi: 20 İş günü

GENEL MÜDÜR

Hakan Bıçlı

Arçelik A.Ş.

GENEL MÜDÜR YRD.

Çetin

Satıcı Firmanın:

Unvanı:
Adresi:
Telefonu:
Faks:
e-posta:

Fatura Tarih ve Sayısı:
Teslim Tarihi ve Yeri:
Yetkilinin İmzası:
Firmanın Kaşesi:

Bu bölümü, ürünü aldığınız Yetkili Satıcı imzalayacak ve kaşeyecektir.

Vă rugăm să citiți mai întâi acest manual!

Stimate client,

Vă mulțumim pentru că ați ales un produs Beko. Sperăm să obțineți cele mai bune rezultate de la aparatul dumneavoastră, care a fost fabricat la o calitate înaltă și cu tehnologie performantă. Din acest motiv, vă rugăm să citiți cu atenție și în întregime acest manual de utilizare și toate celelalte documente adiționale înainte de a utiliza aparatul, și să le păstrați pentru consultări ulterioare. Dacă transmiteți produsul altei persoane, oferiți-i și manualul de utilizare. Urmați instrucțiunile și acordați atenție tuturor informațiilor și avertismentelor din manualul de utilizare.

Semnificația simbolurilor

Următoarele simboluri sunt utilizate în diverse secțiuni ale acestui manual de utilizare:



Informații importante și sugestii utile cu privire la utilizare.



AVERTISMENT: Avertismente pentru situații periculoase referitoare la siguranța vieții și bunurilor.



Potrivit pentru contactul cu alimentele.



Avertisment privind electrocutarea.



Împământare funcțională



Clasă de protecție împotriva electrocutării.



Acest produs a fost fabricat în unități moderne, ecologice.

1. Panou de comandă
2. Compartimentul stâng, buton pentru prepararea a 3 cești de cafea
3. Compartimentul stâng, buton pentru prepararea a 2 cești de cafea
4. Compartimentul stâng, buton pentru prepararea 1 cești de cafea
5. Led pentru indicarea nivelului de apă
6. Compartimentul drept, buton pentru prepararea 1 cești de cafea
7. Compartimentul drept, buton pentru prepararea a 2 cești de cafea
8. Compartimentul drept, buton pentru prepararea a 3 cești de cafea
9. Butoane pentru reglarea dimensiunii ceștii la mică-medie-mare
10. Rezervor de apă (1.5 l)
11. Cablu de alimentare
12. Buton Pornit/Oprit
13. Suprafață de încălzire pentru compartimentul drept
14. Suprafață de încălzire pentru compartimentul stâng
15. Recipient pentru prepararea cafelei - x2
16. Senzor de preparare a cafelei în compartimentul drept
17. Senzor de preparare a cafelei în compartimentul stâng
18. Linguri de măsurare pentru cafea

Date tehnice

Putere: Puterea nominală de intrare: 1100 W
Puterea de intrare pentru încălzirea prin inducție: 2 X
525 W = 1050 W

Tensiune: 220-240 V CA ~, 50-60 Hz

Clasă de izolare electrică: II



Modificările tehnice și de proiectare sunt rezervate.

Valorile declarate în marcasele aplicate pe aparat sau în alte materiale imprimate furnizate împreună cu acesta reprezintă valorile obținute în laborator, în conformitate cu standardele relevante. Aceste valori pot varia în funcție de utilizarea produsului și condițiile ambientale.

Această secțiune conține instrucțiuni de siguranță care vă vor ajuta să vă protejați de riscul vătămărilor personale sau pagubelor materiale.

Nerespectarea acestor instrucțiuni atrage anularea tuturor tipurilor de garanții acordate.

1.1 Siguranță generală

- Acest produs este conform cu standardele internaționale de siguranță.
- Nu utilizați produsul afară sau în baie.
- Nu va fi asumată nici o responsabilitate sau solicitare de garanție pentru defecțiunile ce survin în timpul întrebuințării greșite sau a manevrării incorecte a produsului.
- Nu încercați niciodată să dezasamblați sau se separați componentele montate ale aparatului.
- Utilizați doar componentele originale sau componentele recomandate de către producător.
- Utilizați întotdeauna produsul pe o suprafață stabilă, plană, curată, uscată și aderentă.
- Nu introduceți nici o altă substanță în afară de cafea și zahăr în recipientul de preparare.
- Nu utilizați acest recipient pentru a bea cafeaua turcească preparată.
- Aparatul pentru preparat cafeaua turcească este proiectat să funcționeze la o temperatură cuprinsă între 4-37°C și umiditate relativă de 80%.
- În timpul primei utilizări a aparatului, se pot produce abur și miros în elementul de încălzire al produsului, datorită tehnologiei de producție. Acest lucru este normal. Acestea vor dispărea după câteva cicluri.
- **AVERTISMENT:** Nu mișcați aparatul și nu îndepărtați recipientul de preparare a cafelei în timp ce acesta funcționează.
- Nu mișcați aparatul atunci când acesta este încă fierbinte sau atunci când există lichid în interiorul recipientului de preparare.

Instrucțiuni importante cu privire la siguranță și mediu înconjurător

- Recipientul de preparare și suprafețele de încălzire devin fierbinți pe parcursul utilizării. Din acest motiv, nu atingeți recipientul de preparare și suprafața de încălzire pe parcursul și după utilizarea produsului (până la răcirea acestora).
- **AVERTISMENT:** Pe parcursul preparării cafelei, este posibil să existe abur fierbinte deasupra recipientului. Evitați contactul cu aceste zone pentru a preveni efectele aburului fierbinte.
- Evitați atingerea suprafețelor fierbinți și țineți recipientul doar de mâner.
- Înainte de a-l muta, asigurați-vă că aparatul este oprit.
- În timpul utilizării, baza (suprafața neagră, din sticlă) pe care este plasat recipientul de preparare se încălzește. Așadar, nu atingeți această zonă în timpul utilizării și până când aparatul nu se răcește.
- Pentru protecție suplimentară, acest aparat trebuie să fie conectat la o siguranță de protecție a curentului de scurtcircuit cu o tensiune de cel mult 30 mA.
- Utilizați produsul doar cu o priză cu împământare.
- În cazul în care cablul de alimentare este avariat, opriți imediat utilizarea acestuia pentru a preveni pericolele, iar înlocuirea cablului trebuie să fie efectuată de către producător, agent de service sau de către personal cu calificări similare.
- Nu utilizați aparatul în situația în care componentele sale sau produsul în sine sunt deteriorate. Contactați un service autorizat.
- Nu utilizați aparatul cu un prelungitor.
- Nu introduceți aparatul, cablul de alimentare sau fișa de alimentare în apă sau alte lichide.
- Nu atingeți niciodată aparatul sau fișa cu mâinile umede.

Instrucțiuni importante cu privire la siguranță și mediu înconjurător

- Plasați aparatul astfel încât priza să fie întotdeauna accesibilă.
- Nu strângeți, nu îndoiiți și nu frecăți cablul de alimentare de margini tăioase, pentru a preveni avarierea acestuia. Țineți cablul de alimentare departe de suprafețele fierbinți și flacăra deschisă.
- Asigurați-vă că nu există pericolul de a scoate accidental cablul de alimentare din priză și că nu se poate împiedica nimeni de el atunci când aparatul este în funcțiune.
- Deconectați aparatul înainte de curățare și nu îl curățați niciodată în timpul funcționării.
- Pentru deconectarea aparatului, nu trageți de cablul de alimentare și nu înfășurați cablul în jurul aparatului.
- Tensiunea de alimentare a prizelor trebuie să corespundă cu informațiile furnizate pe plăcuța tehnică a aparatului.
- Nu utilizați niciodată aparatul în locuri în care există materiale combustibile sau inflamabile sau în apropierea acestora.
- Nu utilizați aparatul lângă surse de căldură (plită, grătar, sobă etc) sau în apropierea acestora.
- Feriți aparatul de sursele de abur și evitați utilizarea în medii cu abur în exces.
- Nu utilizați recipientul de preparare cu niciun alt încălzitor (plită etc.) decât cel propriu.
- Nu plasați nimic pe aparat (cești, recipiente pentru prepararea cafelei etc).
- Acest aparat nu se adresează utilizării în scopuri comerciale. Este destinat utilizării în scopuri casnice, în locuri cum ar fi:
 - Magazine, birouri și bucătării pentru personal din alte medii de lucru;
 - Firme,
 - De către clienți în hoteluri, moteluri și alte locuri rezidențiale,
 - Locuri pentru dormit și luat micul dejun.

1

Instrucțiuni importante cu privire la siguranță și mediu înconjurător

- Acest produs poate fi utilizat doar pentru prepararea cafelei.
- Se recomandă atenție extremă atunci când este utilizat lângă copii și persoane care prezintă abilități fizice, senzoriale sau mentale limitate.
- Acest aparat poate fi utilizat de către copiii cu vârsta mai mare de 8 ani, de persoanele cu capacități fizice, perceptive sau mentale diminuate sau de persoanele care nu sunt experimentate sau nu cunosc informații despre aparat numai dacă aceștia sunt supravegheați sau informați cu privire la utilizarea în siguranță a aparatului și înțeleg riscurile prezente. Nu permiteți copiilor să se joace cu aparatul.
- Lucrările de curățare și întreținere nu trebuie să fie efectuate de către copii cu vârsta de peste 8 ani, cu excepția cazului când aceștia sunt supravegheați de o persoană adultă.
- Dacă păstrați materialele de ambalaj, păstrați-le într-un loc inaccesibil copiilor.
- Păstrați aparatul într-un loc inaccesibil copiilor cu vârsta de până în 8 ani.
- Copiii trebuie supravegheați pentru a nu se juca cu aparatul.
- Produsul conține doar conexiuni pentru împământare funcțională.
- Dacă utilizați un stimulator cardiac, consultați producătorul înainte de utilizarea aparatului.
- Efectuați procedurile de curățare și îngrijire în conformitate cu secțiunea „Curățare și îngrijire” din acest manual.
- **AVERTISMENT:** Dacă există un defect pe suprafața aparatului (crăpătură, spărtură etc), deconectați imediat produsul de cablul de alimentare și nu îl mai utilizați, pentru a preveni electrocutarea, apoi contactați un service autorizat.
- Nu umpleți rezervorul de apă cu alte substanțe (lapte, lapte praf) în afară de apă.

1 Instrucțiuni importante cu privire la siguranță și mediu înconjurător

- Nu depășiți indicatorul pentru nivelul maxim de apă din rezervor.
- Atunci când preparați cafeaua, nu amestecați cafeaua cu lingurița sau cu alte obiecte și nu interveniți în proces.
- Nu lăsați obiecte de metal (precum tacâmuri) pe suprafețele fierbinți din zonele de preparare a cafelei, întrucât aceste obiecte se încălzesc.
- Nu utilizați aparatele împreună cu un temporizator extern sau cu un sistem de control de la distanță.
- Acest aparat nu poate fi folosit pentru dispozitive incorporabile și nu este destinat utilizării în interiorul dulapurilor. Nu plasați aparatul de cafea într-un dulap în timp ce se află în funcțiune.

1.2 Conformitate cu Directiva DEEE și de eliminare a deșeurilor

Acest produs nu conține materiale periculoase sau interzise specificate în „Regulamentul pentru supravegherea dispozitivelor electrice și electronice uzate” emis de către Ministerul Mediului și Planificării Urbane. Este conform cu Regulamentul DEEE.



Acest simbol indică faptul că produsul nu trebuie eliminat împreună cu alte deșeurii menajere la finalul perioadei de utilizare. Dispozitivele uzate trebuie returnate la punctul special de reciclare de dispozitive electrice și electronice. Pentru a găsi aceste sisteme de colectare contactați autoritățile locale sau distribuitorul de la care a fost achiziționat produsul. Fiecare gospodărie are un rol important în recuperarea și reciclarea electrocasnicelor vechi. Eliminarea corespunzătoare a electrocasnicelor uzate ajută la prevenirea posibilelor consecințe negative pentru mediu și sănătatea umană.

1.3 Informații despre ambalaj



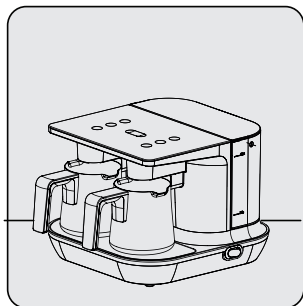
Ambalajul produsului este fabricat din materiale reciclabile conform legislației naționale. Materialele utilizate pentru ambalaj nu trebuie să fie eliminate împreună cu deșeurile menajere sau cu alte tipuri de deșeuri. Transportați-le la punctele de colectare pentru ambalaje, amenajate de autoritățile locale.

2 Utilizare

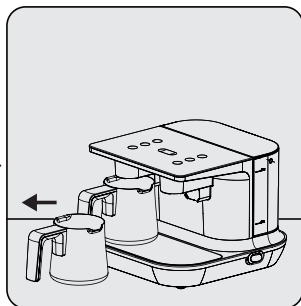
2.1 Prima utilizare

i Citiți manualul de instrucțiuni în întregime înainte de a utiliza produsul.

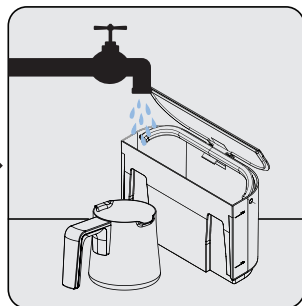
Asigurați-vă că aparatul se află într-o poziție dreaptă și în echilibru, pe o suprafață plată, curată, uscată și non-alunecoasă.



Poziționați produsul vertical, pe o suprafață plată, curată și uscată.



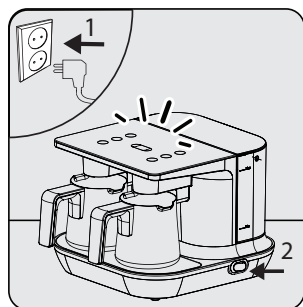
Trageți ușor recipientul pentru preparat cafea (15) din locul său.



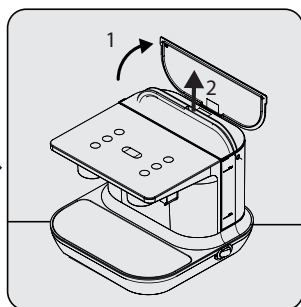
Spălați manual și uscați rezervorul pentru apă (10) și recipientul pentru prepararea cafelei (15).

i Pentru a obține o cafea delicioasă, asigurați-vă că interiorul recipientului de preparare (15) este uscat și curat.

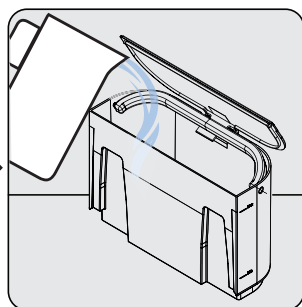
i Asigurați-vă că nu sunt stropi de apă sub recipientul de preparare (15) atunci când preparați cafeaua. În caz contrar, se va auzi un zgomot agasant atunci când stropii de apă intră în contact cu baza încălzită.



Introduceți ștecărul (11) în priza de perete. Comutați butonul Pornit/Oprit (12) în poziția Pornit (I).
- Toate butoanele de pe panoul de comandă (1) vor deveni albe.



Deschideți capacul rezervorului pentru apă. Trageți ușor pentru a-l îndepărta, folosind mânerul.

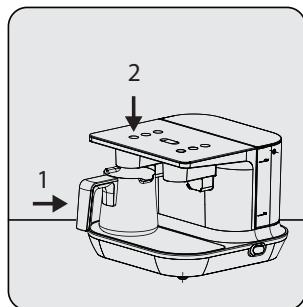


Umpleți rezervorul de apă (10) până la un nivel aflat între indicatoarele pentru minim și maxim. Închideți capacul din nou și reinstalați.

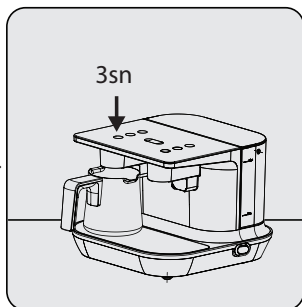
2 Utilizare

i Dacă doriți, puteți umple rezervorul de apă (10) și fără a-l scoate complet. Repetați același proces după ce aparatul emite un semnal de golire a apei (5).

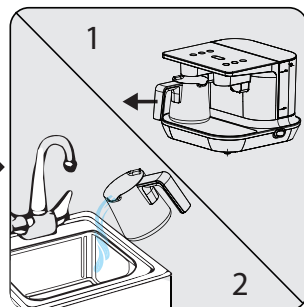
Pentru a umple pompa și sistemul de alimentare cu apă și pentru a elimina aerul din sistem:



Poziționați recipientul pentru preparat cafeaua pe suprafața de încălzire a compartimentului din stânga (14). Apăsăți butonul de preparare a cafelei din compartimentul aflat în stânga, pentru 3 cești (2).



Atunci când procesul de pompare a apei este încheiat, apăsați și mențineți același buton timp de 3 secunde, pentru a finaliza procesul de preparare a cafelei.



Luați recipientul pentru preparat cafeaua (15) și scurgeți apa din el în chiuvetă.

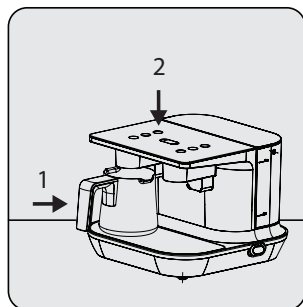
i În acest fel, este asigurată funcționarea corectă a pompei din acest aparat.

! **AVERTISMENT:** Repetați acest proces și după ce ați scos/poziționat rezervorul de apă din/în locul său și înainte de a prepara cafeaua.

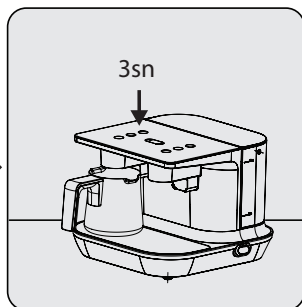
Pentru a regla cantitatea de apă corespunzător mărimii ceștii:

	ceașcă mică pentru o porție	60 ml, în medie
	ceașcă medie pentru o porție	70 ml, în medie
	ceașcă mare pentru o porție	80 ml, în medie

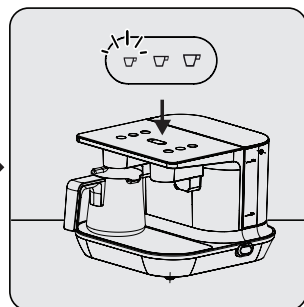
2 Utilizare



Poziționați recipientul pentru preparat cafeaua (15) pe suprafața de încălzire a compartimentului din stânga (14). Apăsăți butonul de preparare a cafelei din compartimentul aflat în stânga pentru 1 cească (4).



Atunci când procesul de pompare a apei este încheiat, apăsați și mențineți același buton timp de 3 secunde, pentru a finaliza procesul de preparare a cafelei și pentru a scurge apa din recipientul de preparare (15) în cească.

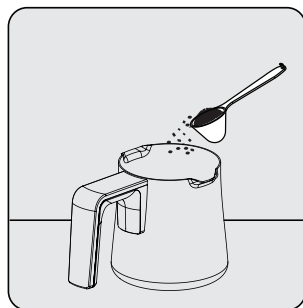


Dacă apa turnată în cească este prea multă sau prea puțină, apăsați butonul de reglare a dimensiunii ceștii pentru a o seta la mică, medie sau mare (9). Puteți apăsa butonul de reglare a dimensiunii ceștii (9) pentru a schimba nivelul. Atunci când LED-ul pentru dimensiunea dorită a ceștii se aprinde, încheiați procesul.

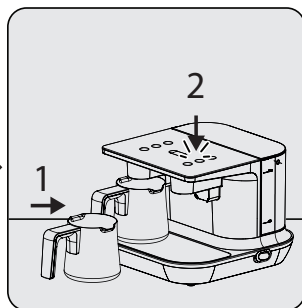


LED-ul pentru dimensiunea ceștii indică nivelul la care este setat produsul. Repetați procesul de reglare a cantității de apă atunci când schimbați dimensiunea ceștii. Repetați procesul de reglare a cantității de apă atunci când schimbați dimensiunea ceștii.

2.2 Prepararea cafelei

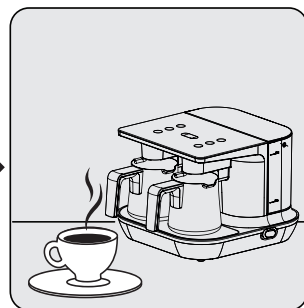


Adăugați cantitatea dorită de cafea și zahăr (până la 3 cești) în recipientul pentru prepararea cafelei (15).



Poziționați recipientul pentru preparat cafeaua (15) la locul său. Apăsăți ușor butonul aflat pe compartimentul unde ați plasat recipientul pentru preparat cafeaua (15) și care indică numărul de cești, pe baza cantității de cafea adăugate.

- Lumina butonului selectat va deveni albă.



Atunci când procesul de preparare a cafelei s-a încheiat, este emis un semnal audio, iar LED-ul butonului corespunzător pentru prepararea cafelei clipește în culoarea albă. Atunci când LED-ul devine complet alb, trageți ușor recipientul pentru preparat cafea (15) înspre înapoi și turnați cafeaua în cească.

2 Utilizare

AVERTISMENT:



- Aveți grijă să nu pătați suprafața de încălzire (13-14). Dacă picurați cafea pe suprafața de încălzire, ștergeți cu o cârpă ușor umedă, înainte ca aceasta să se usuce.
- Nu utilizați recipientul pentru prepararea cafelei pentru alte aparate în afară de aparatul pentru cafea! (Plită etc.)
- Aparatul nu va porni decât atunci când plasați corect recipientul de preparare (15) în locașul acestuia.
- Introduceți complet rezervorul înapoi în locașul lui, în poziție verticală. Altfel, produsul nu va funcționa.



- Timpul de preparare este de 1-1,5 min. pentru 1 persoană, 1,5-2,5 min. pentru 2 persoane și 2-3,5 min. pentru 3 persoane.
- Pentru o cafea delicioasă, luați fără întârziere recipientul de preparare (15) din locul său.
- Turnați repede cafeaua pentru a preveni ca spuma și zațul să rămână în recipientul de preparare (15).
- Dacă, din orice motiv, doriți să anulați procesul de preparare a cafelei, apăsați și mențineți apăsat timp de 3 secunde butonul de pornire pentru prepararea selectată.

2.3 Cantități

Acesta este un aparat ușor de folosit, proiectat pentru prepararea cafelei turcești. Utilizând cantitățile din tabel, puteți prepara o cafea turcească spumoasă, pe gustul dumneavoastră. Următoarele cantități sunt furnizate doar în scopuri informative. Le puteți ajusta după gustul personal.

- Folosind lingura de măsurare, adăugați în recipientul de preparare suficientă cafea pentru una, două, sau trei persoane, cantitatea de zahăr dorită și cantitatea de apă necesară pentru mărirea ceștilor (mărirea recomandată a ceștii este de 65 ml).
- Aceste cantități sunt pentru o ceașcă medie. Pentru măsurarea cafelei puteți folosi lingura de măsurare furnizată împreună cu produsul. Pentru o cafea înpumată delicioasă folosiți cafea proaspătă fin măcinată, adecvată pentru cafea turcească.

Cantitățile de ingrediente recomandate pentru prepararea cafelei

	Fără zahăr	Cu puțin zahăr	Cu o cantitate medie de zahăr	Dulce
Cafea	1 măsură	1 măsură	1 măsură	1 măsură
Zahăr	-	1/2 cub de zahăr/1/2 linguriță de zahăr granulat	1 cub de zahăr/1 linguriță de zahăr granulat	2 cuburi de zahăr/2 lingurițe de zahăr granulat

*Aceste cantități sunt pentru o singură ceașcă.

*Puteți pregăti cel mult 3 cești de cafea într-un recipient.

*Vă recomandăm să folosiți zahăr cubic pentru a ajusta cu ușurință cantitatea de zahăr.

2 Utilizare

2.4 Mod de așteptare

Dacă nu este efectuată nicio operație pe aparat timp de 3 minute, acesta va emite un avertisment audio (bip) și va comuta către modul de așteptare. Dacă apăsați butonul de pornire pentru prepararea cafelei sau butonul pentru ajustarea dimensiunii ceștii, va fi emis un semnal audio și aparatul va ieși din modul de așteptare.

2.5 Notificări

Produsul este pregătit pentru prepararea cafelei

LED-ul dimensiunii selectate pentru ceașcă este alb în permanență. LED-urile butonului pentru pornirea preparării cafelei sunt albe mat.

Prepararea cafelei

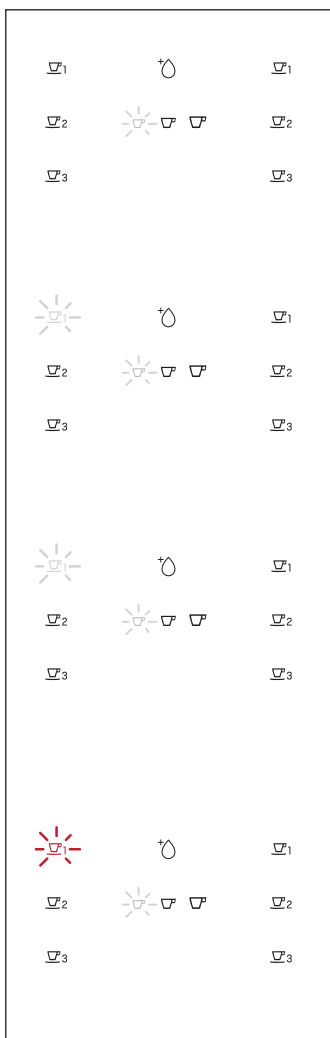
LED-ul butonului de pornire pentru prepararea cafelei selectată este în permanență alb.

Procesul de preparare a cafelei este încheiat

LED-ul butonului selectat de pornire pentru prepararea cafelei luminează intermitent în alb.

Eroare de depășire a nivelului

LED-ul butonului selectat pentru începerea preparării cafelei luminează intermitent în roșu.



Vă rugăm să așteptați

Nu îndepărtați recipientul pentru prepararea cafelei.

Îndepărtați recipientul pentru preparare și turnați cafea în ceașcă înainte de servire.

Opritiți aparatul. Scoateți recipientul de preparare a cafelei de la locul său. Utilizați o cârpă umedă pentru a curăța baza recipientului de preparare, suprafața de încălzire (asigurați-vă că aceasta este rece) și geamul senzorului. Puteți reporni produsul pentru a începe un nou proces de preparare a cafelei. Contactați agentul de service autorizat dacă eroarea apare din nou.

2 Utilizare

Eroare de pauză

LED-ul butonului selectat pentru începerea preparării cafelei este permanent roșu



▽₁

▽₂



▽₂

▽₃

▽₃

Opriti aparatul. Scoateți recipientul de preparare a cafelei de la locul său. Utilizați o cârpă umedă pentru a curăța baza recipientului de preparare, suprafața de încălzire (asigurați-vă că aceasta este rece) și geamul senzorului. Puteți reporni produsul pentru a începe un nou proces de preparare a cafelei. Contactați agentul de service autorizat dacă eroarea apare din nou.

Eroarea 1 în procesul de preparare a cafelei

LED-urile butonului pentru pornirea preparării cafelei în compartimentul relevant luminează intermitent în roșu



▽₁



▽₂



▽₃

Opriti aparatul. Scoateți recipientul de preparare a cafelei de la locul său. Utilizați o cârpă umedă pentru a curăța baza recipientului de preparare, suprafața de încălzire (asigurați-vă că aceasta este rece) și geamul senzorului. Puteți reporni produsul pentru a începe un nou proces de preparare a cafelei. Contactați agentul de service autorizat dacă eroarea apare din nou.

Eroarea 2 în procesul de preparare a cafelei

Toate LED-urile butoanelor de pornire a preparării cafelei sunt roșii



Opriti aparatul. Scoateți recipientul de preparare a cafelei de la locul său. Utilizați o cârpă umedă pentru a curăța baza recipientului de preparare, suprafața de încălzire (asigurați-vă că aceasta este rece) și geamul senzorului. Puteți reporni produsul pentru a începe un nou proces de preparare a cafelei. Contactați agentul de service autorizat dacă eroarea apare din nou.

Lipsa apei

LED-ul pentru indicarea apei este în permanență roșu

▽₁



▽₁

▽₂



▽₂

▽₃

▽₃

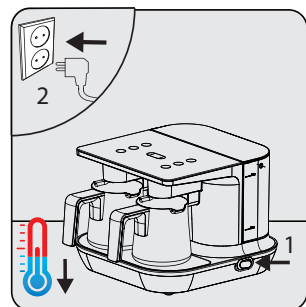
Umpleți rezervorul de apă până la nivelul maxim. (Atunci când aparatul nu mai are apă, butoanele de pornire a preparării cafelei se opresc, iar utilizatorul nu poate selecta nimic).

3 Curățare și îngrijire

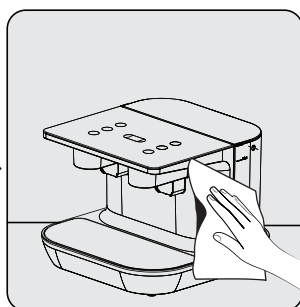
3.1 Curățarea

AVERTISMENT:

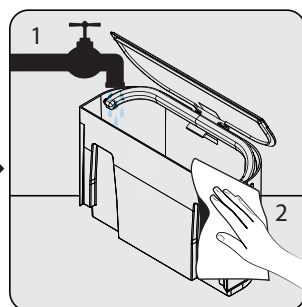
- Întrucât aparatul se încălzește pe parcursul preparării cafelei, vă rugăm să așteptați răcirea sa dacă doriți ulterior să îl curățați.
- Nu utilizați niciodată benzină, solvent, agenți de curățare abrazivi, obiecte metalice sau perii aspre pentru curățarea produsului.
- Nu introduceți niciodată produsul sau cablul său de alimentare în apă sau în vreun alt lichid.
- Folosiți o lavetă uscată pentru a șterge picăturile de apă ce apar pe geamul senzorului (16-17) după mai multe cicluri consecutive de preparare.
- Nu spălați niciodată recipientul de preparare (15) în mașina de spălat vase.



Comutați butonul Pornit/Oprit (12) al aparatului în poziția Oprit (0). Deconectați produsul de la priza de alimentare. Permiteți-i să se răcească.



Pentru curățarea exterioară a produsului, utilizați un material textil ușor umezit și o cantitate mică de lichid pentru spălat vase.



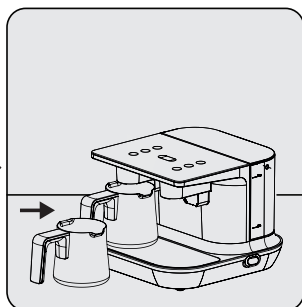
Îndepărtați rezervorul de apă (10) al aparatului. Curățați-l cu apă de la robinet și puțin lichid de spălat vase. Uscați apoi și reinstalați.



Spălați manual recipientul pentru prepararea cafelei.



Apoi uscați-l.



După uscare, reinstalați recipientul.

3 Curățare și îngrijire

3.1.2 Detartrarea

Pentru a curăța petele (depunerile) din recipientul de preparare ce pot să apară în timp, fără a deteriora suprafața interioară a bazei, turnați o linguriță de acid citric cristale în recipientul de preparare și turnați deasupra apă fiartă până la 1/3 din înălțimea recipientului. Așteptați 10 minute. Ulterior, puteți clăti recipientul de preparare (15) și îl puteți refolosi.



AVERTISMENT: Dacă nu efectuați procesul de detartrare un timp îndelungat, fundul recipientului de apă al aparatului se acoperă cu calcar și devine nefuncțional.

3.2 Depozitarea

- Dacă intenționați să nu folosiți aparatul un timp îndelungat, depozitați-l cu grijă.
- Verificați dacă aparatul este scos din priză, răcit și uscat complet.
- Depozitați aparatul la loc răcoros și uscat.
- Păstrați produsul și cablul de alimentare în locuri inaccesibile copiilor.

3.3 Manevrarea și transportul

- Pe durata manevrării și transportului, transportați aparatul în ambalajul original. Ambalajul protejează aparatul de deteriorări fizice.
- Nu așezați obiecte grele pe aparat sau pe ambalaj. Produsul poate fi deteriorat.
- Scăparea pe jos a aparatului îl poate face nefuncțional sau poate cauza deteriorarea sa iremediabilă.

4 Caracteristici tehnologice ale aparatului



Sistemul de amestecare automată asigură spumozitatea și consistența ideală a cafelei.



Tehnologia care vă permite prepararea cafelei la cea mai bună consistență.



Sistem suplimentar de siguranță care elimină necesitatea supravegherii cafelei pe parcursul preparării sale

5 Înainte de a contacta un agent de service autorizat



Verificați mai întâi dacă aparatul este conectat sau nu la priză.



Verificați existența avariilor la cablul de alimentare.



Verificați dacă există suficientă apă în rezervor și dacă acesta este poziționat sau nu la locul său.



Curățați geamul pentru detectarea nivelului.



CERTIFICAT DE GARANȚIE

Tensiune de alimentare/frecvență: 220-240V~, 50-60Hz
Importator: ARCTIC S.A., Găești, Dâmbovița, str. 13 Decembrie nr. 210, email: office@arctic.ro

TIP: **Electrocasnice mici de bucătărie** **Cuptor cu microunde**

Model / Serie:

VÂNZĂTOR

Nr. factură:Data:

Vânzător (firma, localitatea):

CUMPĂRĂTOR

NumeLocalitatea

Str.Nr.BlocSc.Et.Ap.

Județ TelefonE-mail

S-a efectuat proba de funcționare a aparatului, s-a prezentat modul de folosire, s-au predat instrucțiunile de utilizare și toate accesoriile. Am primit aparatul în perfectă stare de funcționare.

Stimați clienți,

La cumpărare vă recomandăm să solicitați efectuarea probei de funcționare și să verificați existența instrucțiunilor de utilizare și a accesoriilor.

Pentru a putea beneficia de toate avantajele produselor și serviciilor noastre vă rugăm:

- să citiți cu atenție și să respectați recomandările prezentate în "Instrucțiunile de utilizare".

- să păstrați cu grijă acest certificat pentru a-l putea prezenta (împreună cu documentul fiscal de achiziție), personalului SERVICE, la orice sesizare efectuată în perioada de garanție.

Vă mulțumim că ați optat pentru cumpărarea unui produs Beko!

Durata medie de utilizare a produsului este de 5 ani!

Perioada de garanție legală de conformitate este de 2 ani de la intrarea produsului în posesia consumatorului. Perioada de garanție comercială este de 3 ani de la intrarea produsului în posesia consumatorului și include perioada de garanție legală de conformitate.

Garanția comercială se acordă produselor vândute și care la data solicitării garanției comerciale se află pe teritoriul României.

Art. 22, alin. 3-6, din L449/2003, modificata de OG 9/2016:

- (3) Timpul de nefuncționare din cauza lipsei de conformitate apărute în cadrul termenului de garanție prelungeste termenul de garanție legală de conformitate și cel al garanției comerciale și curge, după caz, din momentul la care a fost adusă la cunoștința vânzătorului lipsa de conformitate a produsului sau din momentul prezentării produsului la vânzător/unitatea service până la aducerea produsului în stare de utilizare normală și, respectiv, al notificării în scris în vederea ridicării produsului sau predării efective a produsului către consumator.

- (4) Produsele de folosință îndelungată care înlocuiesc produsele defecte în cadrul termenului de garanție vor beneficia de un nou termen de garanție care curge de la data preschimbării produsului.

- (5) Produsele de folosință îndelungată defectate în termenul de garanție legală de conformitate, atunci când nu pot fi reparate sau când durata cumulată de nefuncționare din cauza deficiențelor apărute în termenul de garanție legală de conformitate depășește 10% din durata acestui termen, la cererea consumatorului, vor fi înlocuite de vânzător sau acesta va restitui consumatorului contravaloarea produsului respectiv.

- (6) Termenul de garanție curge de la data intrării bunului respectiv în posesia consumatorului, inclusiv pentru bunurile noi de folosință îndelungată, obținute prin tragere la sorți la tombole, câștigate la concursuri și similare sau acordate cu reducere de preț ori gratuit de către operatorii economici.

Garanția oferită de producător nu exclude garanția de viciu ascuns, conform OG 21/1992 (R2) privind protecția consumatorului și Codul Civil.



Service-ul acestui produs este asigurat de ARCTIC S.A. cu sediul în Găești, Dâmbovița, str. 13 Decembrie nr. 210. • *9010 • www.arctic.ro • www.beko.ro • e-mail: service@beko.ro
Program Call Center: Luni - Vineri 08:30 - 20:00; Sâmbătă 08:30 - 17:00

UNITĂȚILE SERVICE ALE ARCTIC S.A. EXECUTĂ REPARAȚII ÎN TERMENUL DE GARANȚIE ȘI ÎN AFARA ACESTUIA

Nr. crt.	Data Reclamației	Data primirii în reparație	Reparat		Cauza întârzierii	Reparația curentă și/sau componenta înlocuită	Prelungirea termenului de garanție	Efectuarea verificării	
			Programat	Data ridicării aparatului				SERVICE	CLIENT

CONDIȚII DE GARANȚIE LEGALĂ DE CONFORMITATE ȘI GARANȚIE COMERCIALĂ:

Pentru orice defecțiune apărută în perioada de garanție sau post garanție, apelați la magazinul de unde a fost achiziționat produsul sau direct la Call Center Arctic.

Prelungirea termenului de garanție se va înscrice în certificatul de garanție de către unitatea SERVICE care a efectuat reparația.

Garanția acoperă repararea și/sau înlocuirea pieselor constatate ca defecte (necauzate de consumator) de către tehnicienii Service.

Termenul de realizare a operațiilor de reparație, înlocuire sau întreținere este de 15 zile calendaristice de la data la care cumpărătorul a sesizat defecțiunea la magazinul de unde a achiziționat produsul sau direct la Call Center Arctic.

Reclamațiile referitoare la aspectele prevăzute mai jos, se rezolvă numai contra cost:

- a) nefuncționarea lămpilor de iluminare;
- b) accesoriile care nu au defecte ascunse de material constatate de tehnicienii Service;
- c) piesele și accesoriile care prezintă lovituri, zgârieturi, spărturi sau deformări.

PRODUSUL NU BENEFICIAZĂ DE GARANȚIE LEGALĂ DE CONFORMITATE ȘI DE GARANȚIE COMERCIALĂ ÎN URMĂTOARELE CAZURI:

1. Nu au fost respectate instrucțiunile de transport, manipulare, instalare, utilizare și întreținere prescise.
2. Subansamblurile și accesoriile casabile care se deteriorează în timpul transportului vor fi înlocuite de vânzător (în cazul în care asigură transportul).
3. Garanția nu se acordă subsansamblurilor și accesoriilor casabile ale produselor care suferă deteriorări din vina consumatorului.
4. Tensiunea de alimentare are valori care nu se încadrează în limitele prevăzute de standarde (SR EN 50160).
5. Instalația electrică a utilizatorului prezintă improvizații sau neconformități.
6. Produsul a fost folosit în alte scopuri decât cel pentru care a fost proiectat.
7. Produsul a suportat intervenții (reparații, modificări) din partea unor persoane neautorizate de producător.

Drepturile consumatorului sunt cele prevăzute în Legea 449/2003 (republicată) și OG 21/1992 (republicată).

Najpre pročitate ovaj priručnik!

Dragi cenjeni kupče,

Zahvaljujemo vam što ste izabrali ovaj uređaj kompanije Beko. Nadamo se da ćete dobiti najbolje rezultate od svog uređaja koji je proizveden sa visokim kvalitetom i uz primenu najmodernije tehnologije. Iz tog razloga pažljivo pročitate ovaj priručnik i svu drugu prapatnu dokumentaciju u potpunosti pre korišćenja uređaja i sačuvajte ga za buduće korišćenje. Ukoliko predajete uređaj drugom licu, dajte mu i korisnički priručnik. Pratite uputstva obraćajući pažnju na sve informacije i upozorenja navedena u uputstvu za upotrebu.

Značenje simbola

Sledeći simboli se koriste u raznim odeljcima ovog uputstva:



Važne informacije i korisni saveti u vezi sa upotrebom.



UPOZORENJE: Upozorenja na opasne situacije koje se odnose na bezbednost života i imovine.



Pogodan za kontakt sa hranom.



Upozorenje zbog strujnog udara.



Funkcionalno uzemljenje



Klasa zaštite od strujnog udara.



Ovaj proizvod je proizveden u ekološkim i tehnički najsavremenijim objektima.

1. Kontrolna tabla
2. Levi odeljak, dugme za početak pravljenja 3 posluženja kafe
3. Levi odeljak, dugme za početak pravljenja 2 posluženja kafe
4. Levi odeljak, dugme za početak pravljenja 1 posluženja kafe
5. LED indikator za vodu
6. Desni odeljak, dugme za početak pravljenja 1 posluženja kafe
7. Desni odeljak, dugme za početak pravljenja 2 posluženja kafe
8. Desni odeljak, dugme za početak pravljenja 3 posluženja kafe
9. Mala-srednja-velika - dugmad za podešavanje veličine šolje
10. Rezervoar za vodu (1.5 l)
11. Mrežni kabl
12. Dugme za uključivanje/isključivanje
13. Grejna površina desnog odeljka
14. Grejna površina levog odeljka
15. Lonci za kuvanje kafe - 2x
16. Senzor za detekciju kuvanja kafe desnog odeljka
17. Senzor za detekciju kuvanja kafe levog odeljka
18. Kašičice - merice za kafu

Tehnički podaci

Snaga: Ukupna nominalna ulazna snaga: 1100 W

Ulazna snaga indukcionog grejanja:

2 X 525 W = 1050 W

Napon 220-240 V AC ~, 50-60 Hz

Klasa električne izolacije: II



Zadržavamo pravo na tehničke modifikacije i modifikacije u dizajnu.

Vrednosti koje su date na oznakama postavljenim na vaš uređaj ili drugim štampanim materijalima koje ste dobili sa uređajem predstavljaju vrednosti koje su dobijene u laboratorijama, u skladu sa važećim standardima. Ove vrednosti mogu da variraju prema upotrebi aparata i uslovima sredine.

Ovaj deo sadrži sigurnosna uputstva koja će vam pomoći da se zaštitite od opasnosti povreda i oštećenja imovine.

Nepoštovanje ovih uputstava poništava sve vrste garancija.

1.1 Opšta bezbednost

- Ovaj aparat je usklađen sa međunarodnim standardima bezbednosti.
- Nemojte koristiti uređaj na otvorenom i u kupatilu.
- Nikakva odgovornost ni prava na garanciju neće biti moguća za štetu koja je nastala usled zloupotrebe ili nepravilnog rukovanja aparatom.
- Nikada ne pokušavajte da rasklopite ili odvojite montirane delove aparata.
- Koristite isključivo originalne delove ili delove koje preporučuje proizvođač.
- Uvek koristite aparat na stabilnoj, ravnoj, čistoj, suvoj i podlozi koja se ne kliza.
- Nemojte stavljati nikakve supstance osim kafe i šećera u lonac za kuvanje kafe.
- Nemojte piti skuvanu tursku kafu iz lonca za kuvanje kafe.
- Aparat za tursku kafu je projektovan da radi na 4-37°C i 80% relativne vlažnosti.
- Zbog proizvodne tehnologije, para i miris se mogu pojaviti kod grejnog elementa tokom prve upotrebe. To je normalno. Oni će nestati nakon nekoliko ciklusa.
- **UPOZORENJE:** Kada kuvate kafu, ne pomerajte aparat i ne skidajte lonac za kuvanje kafe.
- Ne pomerajte aparat dok je još vruć ili dok se tečnost nalazi unutar lonca za kuvanje kafe.
- Pri upotrebi lonac za kuvanje kafe i grejne površine postaju vrući. Iz ovih razloga, nemojte dodirivati grejne površine ili lonac tokom i posle upotrebe (dok se ne ohladi).
- **UPOZORENJE:** Dok kuvate kafu iznad lonca se može javiti vruća para. Izbegavajte kontakt sa ovim oblastima da biste se zaštitili posledica vruće pare.
- Izbegavajte kontakt sa vrućim površinama i držite lonac samo za dršku.

Važna uputstva u vezi sa bezbednošću i zaštitom životne sredine

- Uverite se da je aparat isključen pre prenošenja.
- Osnova (površina od crnog stakla) na kojoj se nalazi lonac za kuvanje kafe se zagreva tokom rada. Zato ne dodirujte ovu površinu tokom korišćenja i dok se aparat ne ohladi.
- Ovaj aparat bi trebalo da bude povezan sa kućnim zaštitnim osiguračem diferencijalne struje čija nominalna jačina struje nije veća od 30 mA za dodatnu zaštitu.
- Aparat koristite sa uzemljenom utičnicom.
- Ako je napojni kabl oštećen, odmah zaustavite korišćenje da biste se zaštitili od opasnosti i promenili kabl kod proizvođača, servisnog agenta ili sličnog kvalifikovanog personala.
- Nemojte da koristite aparat ako su kabl za napajanje ili bilo koji deo uređaja oštećeni. Obratite se ovlašćenom servisu.
- Nemojte koristiti uređaj sa produžnim kablom.
- Nemojte potapati aparat, kabl za napajanje ili utikač u vodu ili bilo koju drugu tečnost.
- Ne dodirujte aparat ili njegov priključak vlažnim ili mokrim rukama.
- Postavite aparat na takav način da je utikač uvek dostupan.
- Sprečite oštećenje kabla za napajanje tako što ga nećete stiskati, savijati ili trljati po ostrim ivicama. Držite kabl za napajanje dalje od vrućih površina ili otvorenog plamena.
- Uverite se da ne postoji opasnost da kabl za napajanje bude slučajno povučen ili da se neko saplete preko njega kada je aparat u upotrebi.
- Isključite uređaj i izvucite kabl uređaja iz struje pre čišćenja i nikada nemojte čistiti uređaj dok je u upotrebi.
- Ne vucite kabl za napajanje aparata da isključite aparat iz utičnice i ne obmotavajte kabl oko aparata.

Važna uputstva u vezi sa bezbednošću i zaštitom životne sredine

- Vaše mrežno napajanje strujom morabitiuskladu sa informacijama na pločici na aparatu.
- Nikada nemojte da koristite aparat unutar ili blizu mesta gde su prisutna eksplozivna ili zapaljiva mesta ili materijali.
- Nemojte koristiti aparat pored ili blizu izvora toplote (grejnih ploča, roštilja, grejača, peći i itd.).
- Držite aparat dalje od izvora pare i izbegavajte korišćenje u sredinama koje sadrže prekomernu paru.
- Nemojte koristiti lonac za kafu sa bilo kojim drugim grejačem (rešo, itd.), osim sa aparatom.
- Nemojte da stavljate ništa (šolje, lonac za kavu itd.) na aparat.
- Ovaj aparat nije namenjen za komercijalnu upotrebu. Namenjen je za korišćenje u domaćinstvu na mestima kao:
 - kuhinje za osoblje u prodavnicama, kancelarijama i drugim radnim okruženjima,
 - farme,
 - od strane gostiju u hotelima, motelima i drugim oblicima stambenih okruženja;
 - prenoćista sa doručkom.
- Ovaj aparat se može koristiti samo za kuvanje kafe.
- Preporučuje se da budete posebno pažljivi kada koristite aparat u blizini dece i osoba sa ograničenim fizičkim, senzornim i mentalnim sposobnostima.
- Ovaj aparat mogu koristiti deca koje su starija od 8 godina i ljudi čije su fizičke, perceptivne i mentalne sposobnosti ograničene ili koji su neiskusni ili ne znaju ništa o aparatu, sve dok su pod bliskim nadzorom ili instrukcijama i mogu razumeti kako da bezbedno koriste aparat, kao i moguće opasnosti. Deca ne smeju da se igraju sa aparatom.
- Procedure čišćenja i održavanja ne bi trebalo da obavljaju deca starija od 8 godina osim ako nisu pod nadzorom odraslih.
- Ukoliko sačuvate ambalažu čuvajte je podalje od dece.

Važna uputstva u vezi sa bezbednošću i zaštitom životne sredine

- Držite aparat van domašaja dece mlađe od 8 godina.
- Deca treba da budu pod nadzorom kako bi se osiguralo da se ne igraju sa aparatom.
- Ovaj proizvod sadrži samo priključak za funkcionalno uzemljenje.
- Ako koristite premošćenje, konsultujte se sa proizvođačem pre upotrebe aparata.
- Obavite čišćenje i održavanje u skladu sa odeljkom „Čišćenje i održavanje“ ovog priručnika.
- UPOZORENJE: Ako je površina za kuvanje kafe oštećena (pukotina, polomljeni deo itd.), odmah isključite proizvod iz strujne mreže i nemojte ga koristiti da biste se zaštitili od strujnog udara i kontaktirajte sa ovlašćenim servisom.
- Nemojte puniti rezervoar za vodu drugim supstancama (mlekom, mlekom u prahu) osim vodom.
- Nemojte preliti maksimalni nivo obeležen na rezervoaru za vodu.
- Kada kuvate kafu, nemojte mešati kafu kašikom ili bilo kojim predmetom i nemojte intervenisati na proces.
- Ne ostavljajte metalne predmete (pribor za jelo) na vruće površine u prostoru za kuvanje kafe jer ovi predmeti mogu postati vrući.
- Ne koristite uređaje sa spoljnim tajmerom ili sistemom daljinskog upravljanja.
- Aparat ne može da se koristi za ugrađene aplikacije i nije namenjen za upotrebu u ormanima. Ne stavljajte aparat za kafu u orman dok aparat radi.

1.2 Usaglašenost sa WEEE direktivom i odlaganje otpada



Ovaj proizvod ne sadrži štetne i zabranjene materijale navedene u „Uredbi za nadzor otpada električnih i elektronskih aparata” koje izdaje Ministarstvo životne sredine i prostornog planiranja. Ovaj aparat je u skladu sa WEEE Direktivom. Ovaj proizvod je proizveden korišćenjem visokokvalitetnih delova i materijala koji se mogu ponovo iskoristiti ili su pogodni za reciklažu. Zbog toga ne bacajte proizvod sa kućnim i drugim otpadom na kraju njegovog radnog veka. Odnosite ga u sabirni centar za reciklažu električne i elektronske opreme. Obratite se lokalnim vlastima za mesta prikupljanja u vašem regionu. Dajte svoj doprinos u očuvanju životne sredine i prirodnih resursa reciklirajući iskorišćene proizvode.

1.3 Informacije o pakovanju



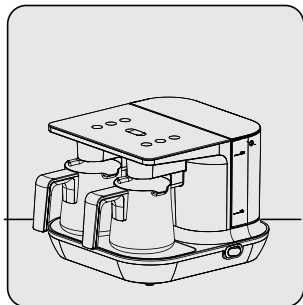
Ambalaža ovog proizvoda je napravljena od materijala koji mogu da se recikliraju u skladu sa državnim zakonodavstvom. Ambalažne materijale ne odlagati zajedno sa kućnim ili drugim otpadom. Odnosite ih na mesta za prikupljanje ambalažnog materijala određena od strane lokalne vlasti.

2 Upotreba

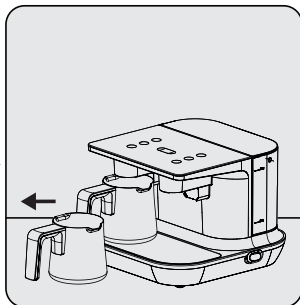
2.1 Prva upotreba

i Pročitajte ceo priručnik za korišćenje pre upotrebe proizvoda.

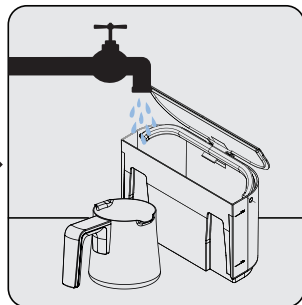
Uverite se da uređaj stoji pravo i da je uravnotežen na ravnoj, čistoj, suvoj i neklizajućoj površini.



Stavite proizvod vertikalno na ravnu, čistu i suhu površinu.



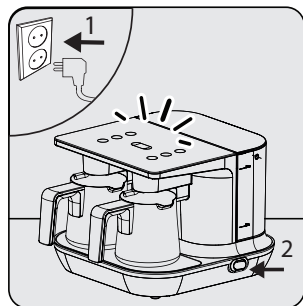
Lagano povucite lonac za kuvanje kafe (15) iz njegovog ležišta.



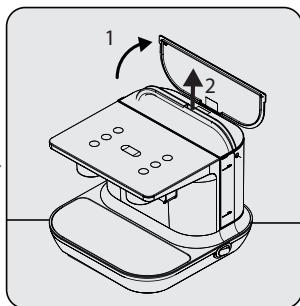
Operite ručno rezervoar za vodu (10) i lonac za kuvanje kafe (15) i osušite ih.

i Da biste dobili ukusnu kafu, postarajte se da je unutrašnjost lonca za kafu (15) suva i čista.

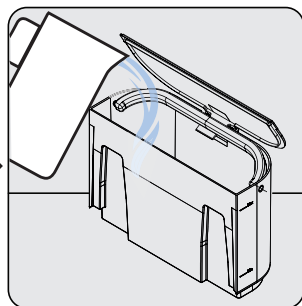
i Uverite se da nema kapi vode ispod lonca za kafu (15) kada spremate kafu. U suprotnom, čuće se neprijatna buka kada kapi vode dođu u kontakt sa vrelom bazom.



Ubacite utikač (11) u zidnu utičnicu. Okrenite dugme za Uključivanje/Isključivanje (12) na položaj Uključeno (I) - Sva dugmad na kontrolnoj tabli (1) će pobeleti.



Otvorite poklopac rezervoara za vodu. Držeći ga za dršku, lagano ga povucite da biste ga skinuli.

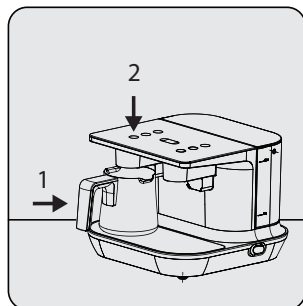


Napunite rezervoar za vodu (10) do nivoa između minimalnog i maksimalnog nivoa. Ponovo zatvorite poklopac i vratite nazad.

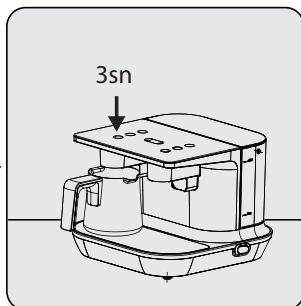
2 Upotreba

i Ako želite možete takođe napuniti rezervoar za vodu (10) bez potpunog vađenja. Ponovite isti proces kada aparat daje upozorenje za nedostatak vode (5).

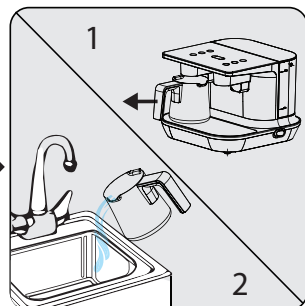
Za punjenje pumpe i sistema za vodu vodom i curenje vazduha iz sistema:



Stavite lonac za kuvanje kafe na grejnu površinu levog odeljka (14). Pritisnite dugme za pravljenje kafe na levom odeljku za 3 posluženja (2).



Kada se proces pumpanja vode završi, pritisnite i zadržite isto dugme 3 sekunde za završetak pravljenja kafe.



Uzmite lonac za kafu (15) i sipajte vodu u njega kroz slivnik.

i Na ovaj način ćete obezbediti pravilan rad pumpe u aparatu.

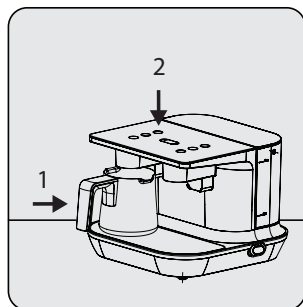


UPOZORENJE: Ponovite ovaj proces isto tako nakon što skinete/stavite rezervoar za vodu sa/na svog/svoje mesto i pre kuvanja kafe.

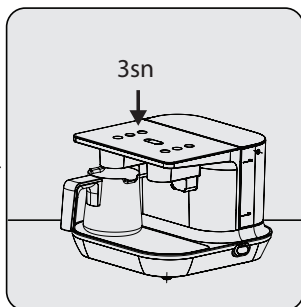
Za podešavanje količine vode u skladu sa veličinom šolje:

	Mala šolja za jedno posluženje	60 ml u proseku.
	Srednja šolja za jedno posluženje	70 ml u proseku.
	Velika šolja za jedno posluženje	80 ml u proseku.

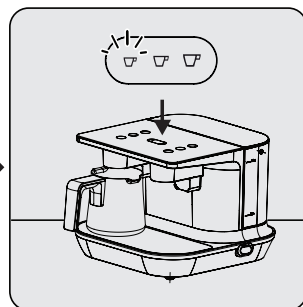
2 Upotreba



Stavite lonac za kuvanje kafe (15) na grejnu površinu levog odeljka (14). Pritisnite dugme za pravljenje kafe na levom odeljku za 1 posluženje (4).



Kada se proces pumpanja vode završi, pritisnite i zadržite isto dugme 3 sekunde za završetak pravljenja kafe i za sipanje vode u lonac za kuvanje kafe (15) u vašu šolju.

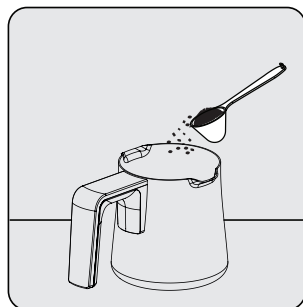


Ako je količina vode koju ste sipali u vašu šolju premala ili prevelika, pritisnite dugme za podešavanje veličine šolje za prilagođavanje na mala, srednja ili velika (9). Možete pritisnuti dugme za prilagođavanje veličine šolje (9) za premeštanje između nivoa. Čim se LED svetlo za željenu veličinu šolje upali proces je završen.

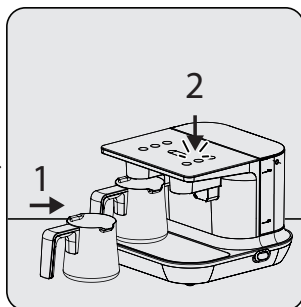


LED svetlo za veličinu šolje će pokazati nivo na koji je proizvod podešen. Ponovite proces prilagođavanja količine vode kada menjate veličinu šolje. Ponovite proces prilagođavanja količine vode kada menjate veličinu šolje.

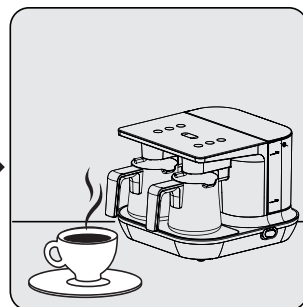
2.2 Pravljenje kafe



Stavite željenu količinu kafe i šećera (do 3 posluženja) u lonac za kuvanje kafe (15).



Stavite lonac za kafu (15) u njegovo ležište. Lagano pritisnite dugme koje se nalazi u odeljku u kojem ste stavili lonac za kuvanje kafe (15) i koje pokazuje broj posluženja baziranih na količini kafe koju ste dodali.
- Svetlo odabranog dugmeta će zasvetleti belo.



Kada se završi proces pravljenja kafe, čućete zvučno upozorenje i LED svetlo odnospog dugmeta za pravljenje kafe će zasvetleti belo. Čim LED zasvetli priljavo belo, lagano povucite lonac za kuvanje kafe (15) da biste ga skinuli i sipali kafu u svoju šolju.

2 Utilizare



UPOZORENJE:

- Obratite pažnju da ne nastanu mrlje na grejnoj površini (13-14). Ako vam kapne kafa na grejnu površinu, obrišite je blago vlažnom krpom pre nego što se osuši.
- Nemojte da koristite lonac za kuvanje kafe na bilo kom uređaju za kuvanje osim kafemata! (Ringla itd.)
- Aparat se neće pokrenuti ako niste pravilno postavili lonac za kafu (15) u njegovo ležište.
- Potpuno ubacite lonac nazad u postolje u uspravnom položaju. U suprotnom vaš proizvod neće raditi.



- Vreme kuvanja je 1-1,5 min. za 1 osobu, 1,5-2,5 min. za 2 osobe i 2-3,5 min. za 3 osobe.
- Za ukusnu kafu, odmah izvadite lonac za kafu (15) iz ležišta bez čekanja!
- Sipajte kafu brzo da biste sprečili da pena i zrna ostanu u loncu za kuvanje kafe (15).
- Ako želite da obustavite proces pravljenja kafe iz bilo kog razloga, pritisnite i zadržite 3 sekunde odabrano dugme za početak kuvanja kafe.

2.3 Količine

Ovo je aparat jednostavan za upotrebu napravljen za kuvanje turske kafe. Možete skuvati penastu tursku kafu prema vašem ukusu tako što ćete koristiti količine iz tabele. Sledeće količine su date samo u informativne svrhe. Možete ih prilagoditi prema vašem ličnom ukusu.

- Dodajte dovoljno kafe za jednu, dve ili tri osobe koristeći mericu, željenu količinu šećera i neophodnu količinu vode za vašu šolju (preporučuje se šolja od 65 ml) u lonac za kafu.
- Ove količine su za jednu šolju kafe srednje veličine. Možete da koristite kašičicu - mericu koja je priložena uz proizvod da izmerite količinu kafe. Za penastu, ukusnu kafu, koristite sveže mlevenu kafu pogodnu za tursku kafu.

Preporučene količine sastojaka za pripremu kafe				
	Bez šećera	Sa malo šećera	Srednja količina šećera	Slatka
Kafa	1 mera	1 mera	1 mera	1 mera
Šećer	-	1/2 kockice šećera / 1/2 kafene kašičice šećera u zrnu	1 kockica šećera / 1 kafena kašičice šećera u zrnu	2 kockica šećera / 2 kafene kašičice šećera u zrnu

*Sledeće količine su za jedno posluženje.

*Možete pripremiti najviše 3 poslužnja u jednom loncu.

* Preporučujemo da koristite kocke šećera da bi lako prilagodili količinu šećera.

2 Upotreba

2.4 Režim mirovanja

Ako se nijedna operacija ne izvodi na aparatu tokom 3 minuta, on će dati zvučno upozorenje (bip) i prebaciti se na režim mirovanja. Ako pritisnete dugme za početak kuvanja kafe ili dugme za prilagođavanje veličine šolje, čujete zvučno upozorenje i aparat će izaći iz režima mirovanja.

2.5 Obaveštenja

Proizvod je spreman za pravljenje kafe

LED svetlo odabrane veličine šolje konstantno svetli belo. LED svetla dugmeta za početak kuvanja kafe svetli prijavu belo.

Priprema kafe

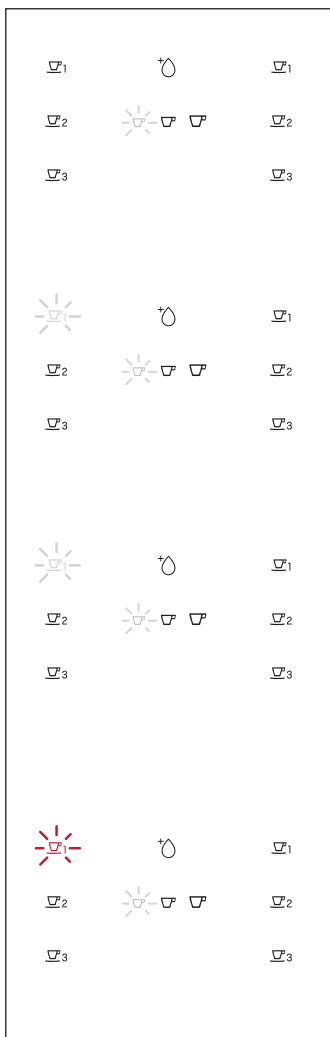
LED svetlo odabranog dugmeta za početak pravljenja kafe konstantno svetli belo.

Proces pripreme kafe je gotov.

LED svetlo odabranog dugmeta za početak pravljenja kafe trepće belo.

Greška prelivanjem nivoa

LED svetlo izabranog dugmeta za početak pravljenja kafe trepće crveno.



Molimo sačekajte

Nemojte skidati lonac za kuvanje kafe.

Sklonite lonac za kafu, i sipajte kafu u šolju pre služenja.

Isključite proizvod. Izvadite lonac za kuvanje kafe iz njegovog ležišta. Koristite vlažnu krpu za čišćenje osnove lonca za kafu, grejne površine (uverite se da je grejna površina hladna) i senzorsko staklo. Možete ponovo uključiti proizvod za početak novog procesa kuvanja kafe. Kontaktirajte ovlašćenog servisnog agenta ako se greška javi ponovo.

2 Upotreba

Greška vremenskog prekoračenja

LED svetlo odabranog dugmeta za početak kuvanja kafe svetli konstantno crveno



Isključite proizvod. Izvadite lonac za kuvanje kafe iz njegovog ležišta. Koristite vlažnu krpu za čišćenje osnove lonca za kafu, grejne površine (uverite se da je grejna površina hladna) i senzorsko staklo. Možete ponovo uključiti proizvod za početak novog procesa kuvanja kafe. Kontaktirajte ovlašćenog servisnog agenta ako se greška javi ponovo.

Greška 1 u kuvanju kafe

LED svetla dugmeta za početak pravljenja kafe za odnosni odeljak trepću crveno



Isključite proizvod. Izvadite lonac za kuvanje kafe iz njegovog ležišta. Koristite vlažnu krpu za čišćenje osnove lonca za kafu, grejne površine (uverite se da je grejna površina hladna) i senzorsko staklo. Možete ponovo uključiti proizvod za početak novog procesa kuvanja kafe. Kontaktirajte ovlašćenog servisnog agenta ako se greška javi ponovo.

Greška 2 u kuvanju kafe

LED svetla svih dugmadi za početak kuvanja kafe svetle konstantno crveno



Isključite proizvod. Izvadite lonac za kuvanje kafe iz njegovog ležišta. Koristite vlažnu krpu za čišćenje osnove lonca za kafu, grejne površine (uverite se da je grejna površina hladna) i senzorsko staklo. Možete ponovo uključiti proizvod za početak novog procesa kuvanja kafe. Kontaktirajte ovlašćenog servisnog agenta ako se greška javi ponovo.

Nema vode

LED indikator za vodu konstantno svetli crveno



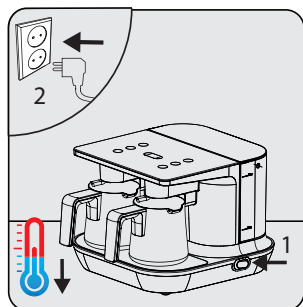
Napunite rezervoar za vodu do maksimalnog nivoa. (Kada nije ostalo vode, dugmad za početak pravljenja kafe će se ugasiti i korisnik ne može da napravi novi izbor).

3 Čišćenje i održavanje

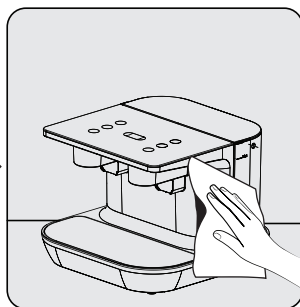
3.1 Čišćenje

UPOZORENJE:

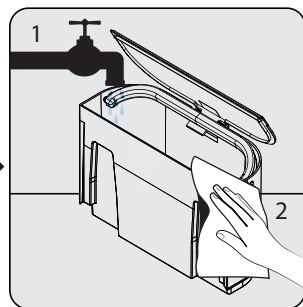
- Budući da je aparat vruć tokom pripremanja kafe molimo sačekajte dok se ne ohladi ako želite da ga očistite.
- Nikada nemojte koristiti benzin, rastvarač, abrazivna sredstva za čišćenje, metalne predmete ili tvrde četke za čišćenje ovog uređaja.
- Nikada nemojte potapati aparat ili njegov naponski kabl u vodu ili bilo koju drugu tečnost.
- Koristite suhu krpu da obrišete kapljice vode koje se formiraju na staklu senzora (16-17) nakon nekoliko ciklusa pripreme kafe.
- Nemojte prati lonac za kafu (15) u mašini za sudove.



Prebacite dugme za uključivanje/isključivanje (12) aparata na položaj isključeno (0) Izvucite utikač aparata iz struje. Ostavite da se ohladi.



Upotrebite vlažnu krpu i malu količinu tečnosti za pranje da očistite spoljnu površinu aparata.



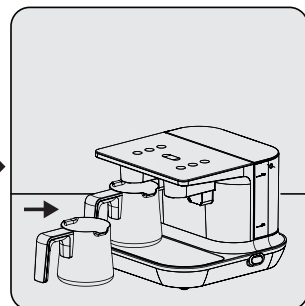
Izvadite rezervoar za vodu (10) sa aparata. Operite ga pod mlazom vode uz malo tečnosti za pranje. Zatim ga osušite i ponovo stavite.



Ručno operite lonac za kafu.



Zatim ga osušite.



Kada se lonac za kafu osuši vratite ga u ležište.

3 Čišćenje i održavanje

3.1.2 Uklanjanje kamenca

Da bi očistili mrlje (naslage) koje se mogu pojaviti vremenom u loncu za kafu, bez oštećenja unutrašnjih površina, sipajte kašičicu kristalne limunske kiseline u lonac za kafu i polijte kipućom vodom do 1/3 lonca. Sačekajte 10 minuta. Nakon toga, možete da isplaknete lonac za kafu (15) i ponovo da ga koristite.



UPOZORENJE: Ako ne izvršite uklanjanje kamenca duže vremena, osnova lonca za kafu na aparatu postaće pokrivena kamencem i prestaće da radi.

3.2. Skladištenje

- Ako ne nameravate da koristite uređaj duže vreme, pažljivo ga odložite.
- Uverite se da je aparat isključen iz struje, ohlađen i potpuno suv.
- Čuvajte aparat na hladnom i suvom mestu.
- Držite uređaj i kabl za napajanje van domašaja dece.

3.3 Prenos i transport

- Tokom prenosa i transporta, nosite aparat u njegovom originalnom pakovanju. Ambalaža uređaja ga štiti od fizičkih oštećenja.
- Nemojte stavljati teške predmete na uređaj ili njegovo pakovanje. Aparat se može oštetiti.
- Ako vam uređaj ispadne, to može izazvati trajno oštećenje, odnosno aparat može postati nefunkcionalan.

4 Tehnološke prednosti aparata



Sistem automatskog mešanja koji obezbeđuje da kafa bude sa penom i idealno konzistentna.



Tehnologija koja omogućava kuvanje kafe uz najveću konzistentnost.



Sistem dodatne bezbednosti eliminiše potrebu za posmatranjem kafe dok se ista priprema.

5 Pre nego što kontaktirate ovlašćenog servisnog agenta



Prvo proverite da li je aparat uključen u struju ili nije.



Proverite da li ima bilo kakvih prekida ili oštećenja na kablu.



Proverite da li ima dovoljno vode u rezervoaru za vodu i da li je pravilno postavljen na svoje mesto ili nije.



Očistite staklo za prikazivanje nivoa.

Прво прочитајте го упатството!

Почитувани потрошувачи,

Ви благодариме што го избравте овој уред на Веко. Се надеваме дека ќе постигнете најдобри резултати со уредот, којшто е произведен со врвна и висококвалитетна технологија. Од таа причина, внимателно прочитајте го целото упатство и целата друга придружна документација пред да го користите уредот и зачувајте го за идна потреба. Ако го дадете уредот на други, дајте им го и упатството. Следете ги упатствата и обрнете внимание на сите информации и предупредувања во упатството.

Значење на симболите

Следните симболи се користат низ разните поглавја на ова упатство:



Важни информации и корисни совети за употреба.



ПРЕДУПРЕДУВАЊЕ:

Предупредувања за опасни ситуации во однос на безбедноста по животот и имотот.



Одговара за контакт со храна.



Предупредување за струен удар.



Функционално заземјување



Класа на заштита од струен удар.



Овој производ е произведен во еколошки и најсовремени простории.

1. Контролен панел
2. Лева преграда, копче за варење 3 дози кафе
3. Лева преграда, копче за варење 2 дози кафе
4. Лева преграда, копче за варење 1 доза кафе
5. LED индикатор за вода
6. Десна преграда, копче за варење 1 доза кафе
7. Десна преграда, копче за варење 2 дози кафе
8. Десна преграда, копче за варење 3 дози кафе
9. Мала, средна и голема доза - копчиња за одредување големина на шолја
10. Резервоар за вода (1,5 литри)
11. Кабел за струја
12. Копче за вклучување/исклучување
13. Површина за загревање десна преграда
14. Површина за загревање лева преграда
15. Ѓезвиња за варење кафе - 2
16. Сензор за варење кафе на десна преграда
17. Сензор за варење кафе на лева преграда
18. Лажички за мерење кафе

Технички податоци

Моќност: Вкупна номинална влезна моќност:
1.100 W

Влезна моќност за индукциско загревање:
2 X 525 W = 1.050 W

Напон: 220-240 V AC ~, 50-60 Hz

Класа на електрична изолација: II



Правата за технички и дизајнерски модификации се задржани.

Вредностите што се наведени на ознаките видливи на вашиот уред или во другите испечатени документи доставени со него, претставуваат вредности добиени лабораториски во согласност со релевантните стандарди. Овие вредности може да варираат според искористеноста на уредот и околните услови.

Ова поглавје содржи безбедносни упатства што ќе ви помогнат да се заштитите од лична повреда или штета по имотот. Непочитувањето на овие упатства значи поништување на сите видови на гаранција.

1.1 Општа безбедност

- Овој уред е усогласен со меѓународните безбедносни стандарди.
- Не употребувајте го уредот надвор и во бањата.
- Не преземаме одговорност или гарантни побарувања за штети предизвикани со погрешна употреба или неправилно ракување со уредот.
- Никогаш не обидувајте се да го расклопите уредот или да ги отстраните деловите монтирани на него.
- Употребувајте само оригинални делови или делови препорачани од производителот.
- Секогаш користете го уредот на стабилна, рамна, чиста и сува површина што не се лизга.
- Не ставајте никакви други состојки освен кафе и шеќер во ѓезвињата за варење кафе.
- Не пијте го свареното турско кафе директно од ѓезвињата за варење.
- Машината за турско кафе е направена да работи на температура меѓу 4 и 37 °C и на релативна влажност од 80%.
- При првото користење, може да видите пареа и да почувствувате миризба од грејните елементи како резултат на технологијата употребена за нивно производство. Тоа е нормално. Исчезнуваат по неколку варења.
- **ПРЕДУПРЕДУВАЊЕ:** Не поместувајте го уредот и не отстранувајте го ѓезвето додека кафето се вари.
- Не поместувајте го уредот додека е загреан или кога има кафе во ѓезвето.

Важни упатства за безбедноста и животната средина

- Ѓезвето за варење кафе и грејните површини се загреваат за време на употребата. Поради таа причина, не допирајте ја грејната површина или ѓезвето за време и по употребата (додека не се излади).
- **ПРЕДУПРЕДУВАЊЕ:** Кога варите кафе, може да се појави жешка пара над ѓезвето. Избегнувајте да ги допирате тие делови за да ги избегнете ефектите на жешката пара.
- Избегнувајте да ги допирате жешките површини и држете го ѓезвето само за рачката.
- Уверете се дека уредот е исклучен пред да го преместите.
- Основата (површината со црно стакло) врз која се става ѓезвето за варење кафе, се загрева додека работи. Затоа, не допирајте ја додека е во употреба и додека уредот не се излади.
- Заради дополнителна заштита, уредот треба да биде приклучен во штекер поврзан со осигурувач од максимум 30 mA за заштита од преви-сока струја.
- Приклучувајте го во заземјен штекер.
- Ако се оштети кабелот за струја, веднаш престанете да го користите за да спречите некаква опасност и повикајте го производителот, сервисниот агент или слично квалификувано лице да го замени.
- Не користете го уредот ако самиот уред или кој било дел е оштетен. Повикајте овластен сервис.
- Не употребувајте го уредот со продолжен кабел.
- Не потопувајте го уредот, кабелот или приклучокот за струја во вода или други течности.
- Не допирајте го уредот или приклучокот за струја со влажни или мокри раце.

Важни упатства за безбедноста и животната средина

- Поставете го уредот така што приклучокот ќе биде секогаш лесно пристапен.
- Спречете оштетување на кабелот за струја со тоа што нема да го притискате, превиткувате или триете од остри рабови. Држете го кабелот за струја понастрана од жешки површини и отворен пламен.
- Погрижете се да нема опасност од ненамерно повлекување или сопнување од кабелот за струја додека уредот се употребува.
- Исклучете го уредот од струја пред да го чистите и никогаш не чистете го додека е во употреба.
- Не влечете го кабелот за струја со цел да го исклучите од штекер и не виткајте го кабелот околу самиот уред.
- Напонот во вашиот дом треба да биде во согласност со информациите што се наоѓаат на плочката на уредот.
- Не употребувајте го уредот во или близу места каде што има запаливи материјали или каде што околината е запалива.
- Не употребувајте го уредот веднаш до или во близина на извори на топлина (плотна, скара, грејач, шпорет итн.).
- Држете го уредот понастрана од извори на пареа и избегнувајте да го употребувате во средина што содржи преголема пареа.
- Не употребувајте го ѓезвето за варење кафе со какво било друго грејно тело (плотна итн.) освен со уредот.
- Не ставајте ништо врз уредот (шолји, ѓезвиња итн.).
- Овој уред не одговара за комерцијална употреба. Наменет е да се употребува за лични потреби:
 - во дуќани, канцеларии и кујни во други работни средини,
 - на фарма,

- од гости во хотели, мотели и други резиденцијални места
- во места за преспивање и служење појадок.
- Уредот може да се користи само за варење кафе.
- Ве советуваме крајно да внимавате кога го употребувате во близина на деца и лица со ограничени физички, сензорни или ментални способности.
- Овој уред може да го употребуваат деца коишто се на возраст од 8 години или постари и луѓе чишто физички, перцептивни или ментални вештини се намалени или коишто се неискусни или без познавања за уредот, сè додека се надгледувани или информирани и ја разбираат безбедната употреба на уредот и опасностите што произлегуваат од тоа. Деца не треба да си играат со уредот.
- Задачите за чистење и одржување на производот не треба да се даваат на деца над 8-годишна возраст, освен ако се под надзор на постари лица.
- Ако го чувате пакувањето за идна употреба, чувајте го понастрана од деца.
- Чувајте го уредот подалеку од дофат на деца под 8-годишна возраст.
- Надгледувајте ги децата за да спречите да си играат со уредот.
- Производот содржи само функционално заземјување.
- Ако имате пејсмејкер, консултирајте се со производителот пред да го употребувате уредот.
- Чистете го и грижете се за уредот во согласност со делот „Чистење и одржување“ во ова упатство.

- **ПРЕДУПРЕДУВАЊЕ:** Ако површината за варење кафе е оштетена (напукната, скршена итн.), веднаш исклучете го производот од штекер и не употребувајте го за да спречите струен удар, а потоа стапете во контакт со овластен сервис.
- Не полнете го резервоарот за вода со каква било друга состојка (млеко, млеко во прав) освен со вода.
- Не надминувајте ја ознаката за максимално ниво на вода на резервоарот.
- Кога варите кафе, не мешајте го кафето со лажичка или каков било друг предмет и не нарушувајте го процесот на варење.
- Не оставајте метални предмети (како прибор за јадење) врз жешките површини за варење бидејќи може да се загреат.
- Не употребувајте го уредот со надворешен тајмер или систем за далечинска контрола.
- Уредот не може да се употребува како вграден и не е наменет да се употребува во некаков орман. Не ставајте ја машината за кафе во орман додека таа работи.

1.2 Усогласеност со директивата за WEEE и исфрлање на производот



Овој производ не содржи штетни или забранети материјали како што е наведено во „Регулативата за супервизија на отпадни електрични и електронски уреди“ издадена од Министерството за животна околина и урбанизација. Производот е усогласен со директивата за WEEE за електричен и електронски отпад. Производот е направен од висококвалитетни делови и материјали што може да се рециклираат и користат повеќекратно. Затоа, не исфрлајте го уредот со домашниот и другиот отпад кога ќе му помине работниот век. Однесете го во собирен центар за рециклирање на електрични и електронски уреди. Стапете во контакт со локалните власти за да ве информираат околу собирните центри во вашиот регион. Помогнете во заштитата на животната средина и природните ресурси со рециклирање на употребените производи.

1.3 Информации за пакувањето



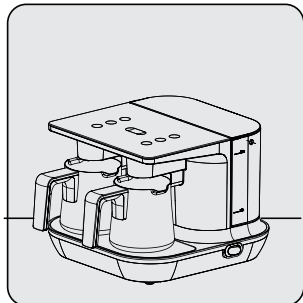
Пакувањето на производот е изработено од рециклирачки материјал согласно националните закони. Не фрлајте го материјалот од пакувањето заедно со домашниот или друг отпад. Однесете го во центрите за собирање материјали од пакувања посочени од локалните власти.

2 Употреба

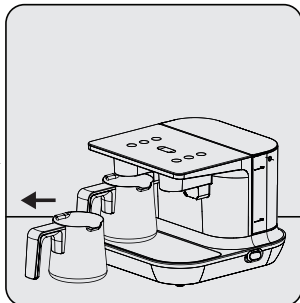
2.1 Првична употреба

i Прочитајте го целото упатство за употреба пред да го употребувате производот.

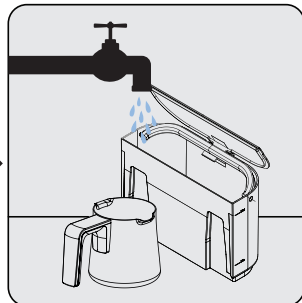
Погрижете се уредот да е исправен и на рамна, чиста и сува површина што не се лизга.



Поставете го производот исправено на рамна, чиста и сува површина.



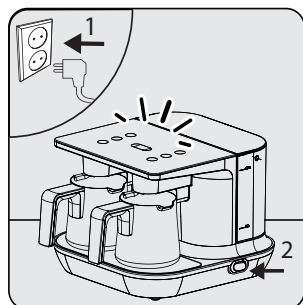
Полека извлекете го фезето за варење кафе (15) од својата позиција.



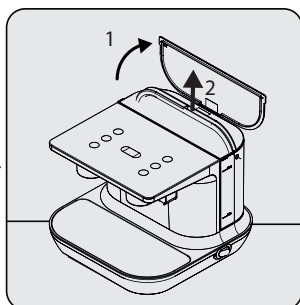
Рачно измијте ги резервоарот за вода (10) и фезето за варење кафе (15) и избришете ги.

i За да сварите вкусно кафе, гледајте внатрешноста на фезето (15) да е сува и чиста.

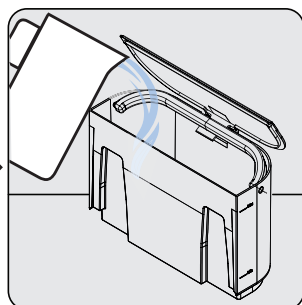
i Погрижете се да нема капки вода под фезето за варење (15) кога подготвувате кафе. Во спротивно, може да слушате звуци кога капките ќе дојдат во контакт со површината за варење.



Вметнете го приклучокот (11) во штекер. Притиснете го копчето за вклучување и исклучување (12) на позиција „On“ (1) - Сите копчиња на контролниот панел (1) ќе станат бели.



Отворете го капакот на резервоарот за вода. Полека повлечете го и отстранете го додека ја држите рачката.

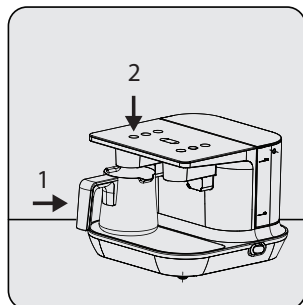


Наполнете го резервоарот за вода (10) до некое ниво меѓу ознаките за минимум и максимум. Вратете го капакот и затворете го.

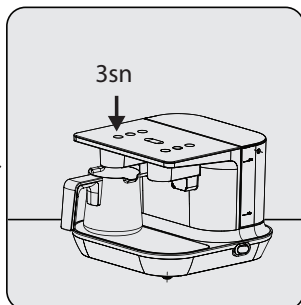
2 Употреба

i Ако сакате, можете да го наполните резервоарот за вода (10) и без целосно да го отстранувате. Повторете го истиот процес кога уредот ќе ве предупреди дека водата е истрошена (5).

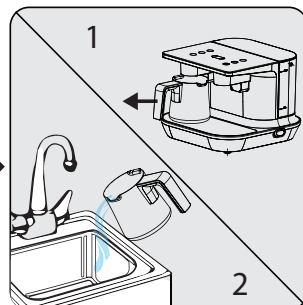
За да ја наполните пумпата и системот со вода, испуштете го воздухот од системот:



Ставете го фезвето за варење кафе врз грејната површина (14) во левата преграда. Притиснете го копчето за варење кафе во левата преграда за 3 дози кафе (2).



Штом ќе заврши пумпањето вода, притиснете го и држете го истото копче 3 секунди за да го завршите процесот на варење кафе.



Земете го фезвето (15) и истурете ја водата во мијалникот.

i Така се гарантира правилна работа на пумпата во уредот.

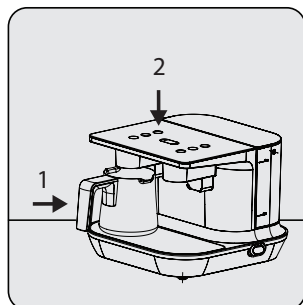


ПРЕДУПРЕДУВАЊЕ: Повторувајте го овој процес и откако ќе го отстраните/ставите резервоарот од/на место и пред да варите кафе.

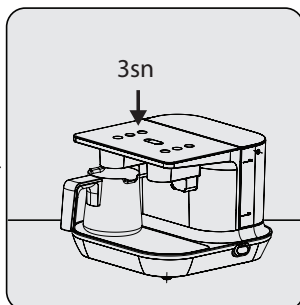
За да ја приспособите количината вода согласно големината на шолјата за кафе:

	Мала шолја за една доза	Во просек 60 милилитри.
	Средна шолја за една доза	Во просек 70 милилитри.
	Голема шолја за една доза	Во просек 80 милилитри.

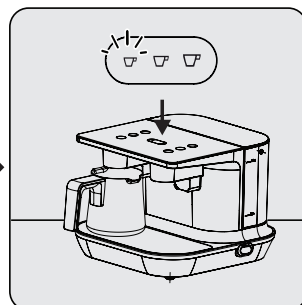
2 Употреба



Ставете го фезвето за варење кафе (15) врз грејната површина во левата преграда (14). Притиснете го копчето за варење кафе во левата преграда за 1 доза кафе (4).



Штом ќе заврши пумпањето вода, притиснете го и држете го истото копче 3 секунди за да завршите процесот на варење кафе, а потоа сипете ја водата од фезвето (15) во шолја.

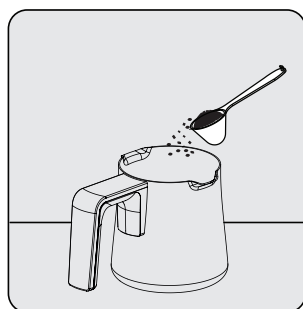


Ако имате премалку или премногу вода во шолјата, притиснете го копчето за приспособување на големината за да изберете мало, средно или големо кафе (9). Можете да го притиснете копчето за приспособување големина (9) за да ги менувате нивоата. Штом се вклучи LED сијаличката за посакуваната големина на шолја, завршете го процесот.

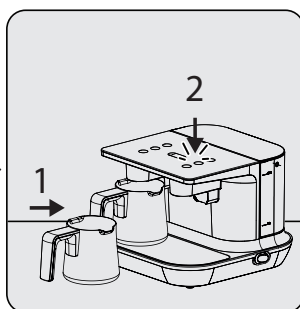


LED сијаличката за големина ќе го прикаже нивото на коешто е поставен уредот. Повторете го процесот за приспособување на количината кога ќе употребите шолја со поразлична големина.

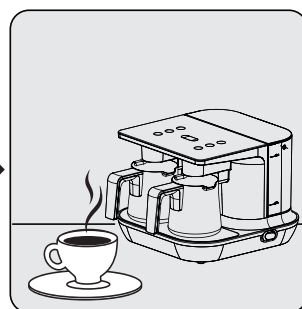
2.2 Варење кафе



Ставете ја посакуваната количина кафе и шеќер (максимум за 3 дози) во фезвето за варење кафе (15).



Поставете го фезвето (15) на место за да се сварува кафето. Малку притиснете го копчето што се наоѓа во преградата во којашто сте го ставиле фезвето (15) и ќе се прикаже бројот на дози врз основа на количината кафе што сте ја додале.
- Сијаличката на избраното копче ќе засвети во бела боја.



Штом заврши процесот на варење кафе, ќе слушнете звук за предупредување и LED сијаличката од копчето за варење кафе ќе трепка во бела боја. Штом LED сијаличката смени нијанса на бела боја, полка извлечете го фезвето за варење (15) од преградата и сипете кафе во шолја.

2 Употреба

ПРЕДУПРЕДУВАЊЕ:



- Внимавајте да не ви се истури кафе врз грејната површина (13-14). Ако капне кафе врз грејната површина, избришете со малку влажна крпа пред да се исуши.
- Не користете го фезвето за варење кафе со друг уред освен со оваа машина за варење кафе! (на пример, плотна итн.)
- Уредот нема да почне да работи ако фезвето (15) не е правилно поставено во позиција.
- Целосно вметнете го фезвето назад во исправена позиција. Во спротивно, производот нема да работи.



- Времето потребно за варење кафе е меѓу 1 и 1 и пол минута за 1 лице, 1 и пол до 2 и пол минути за 2 лица и 2 до 3 и пол минути за 3 лица.
- За да сварите повкусно кафе, извадете го фезвето за варење (15) од позиција порано!
- Сипете го кафето во шолја со брз потег за да спречите кајмак и талог да остане во фезвето (15).
- Ако сакате да го откажете процесот на варење од каква било причина, притиснете и држете го соодветното копче за варење во траење од 3 секунди.

2.3 Количини

Овој уред е лесен за користење и наменет е за варење турско кафе. Можете да подготвите турско кафе коешто одговара на вашиот вкус со помош на табелата за количини. Следните количини се дадени само информативно. Можете да ги приспособувате согласно личниот вкус.

- Додајте доволно кафе за едно, две или три лица со помош на лажичката за мерење, посакуваната количина шеќер и потребната количина вода во фезвето за избраната големина на шолја (препорачаната големина е 65 милилитри).
- Овие количини се за една доза во средна шолја. Можете да ја користите лажичката за мерење што сте ја добиле со производот со цел да ја измерите количината кафе. За вкусно кафе со повеќе кајмак, употребете свежо мелено кафе за правење турско кафе.

Препорачани количини на состојки за варење кафе

	Без шеќер	Со малку шеќер	Со средна количина шеќер	Благо
Кафе	1 мера	1 мера	1 мера	1 мера
Шеќер	-	1/2 коцка шеќер / 1/2 лажичка шеќер во гранули	1 коцка шеќер / 1 лажичка шеќер во гранули	2 коцки шеќер / 2 лажички шеќер во гранули

*Овие количини се за една доза.

*Можете да подготвите максимум 3 дози во едно фезве.

*Препорачуваме да употребувате коцки шеќер со цел полесно приспособување на количината шеќер.

2 Употреба

2.4 Режим за мирување

Ако не правите ништо на уредот во период од 3 минути, ќе испушти предупредувачки звук (бипкање) и ќе премине во режим на подготвеност. Ако го притиснете копчето за варење кафе или копчето за приспособување големина на шолја, ќе слушнете предупредувачки звук и уредот ќе се вклучи за работа.

2.5 Известувања

Производот е подготвен за варење кафе

LED сијаличката за избраната големина на шолја е постојано бела. LED сијаличките на копчето за варење кафе се со поинаква нијанса на бела.

Варење кафе

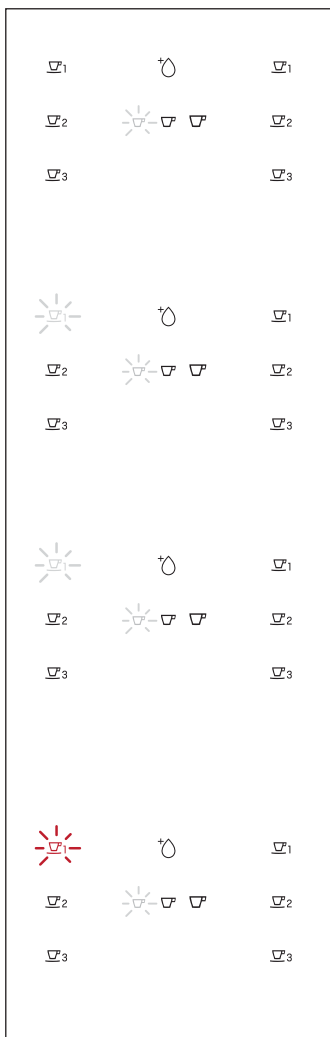
LED сијаличката на избраното копче за варење кафе е постојано бела.

Процесот на варење кафе е готов

LED сијаличката на избраното копче за варење кафе трепка во бела боја.

Грешка поради надминато ниво

LED сијаличката на избраното копче за варење трепка во црвена боја



Почекајте

Не поместувајте го фезвето.

Отстранете го фезвето и турете кафе во шолја пред да послужите.

Исклучете го производот Извадете го фезвето. Употребете влажна крпа за да ја исчистите основата на фезвето, грешната површина (гледајте грејната површина да е изладена) и стаклото на сензорот. Можете повторно да го вклучите производот за да сварите друго кафе. Стапете во контакт со овластен сервис ако грешката се појави повторно.

2 Употреба

Грешка поради надминато ниво

LED сијаличката на избраното копче за варење трепка во црвена боја



Исклучете го производот Извадете го фезвето. Употребете влажна крпа за да ја исчистите основата на фезвето, грешната површина (гледајте грејната површина да е изладена) и стаклото на сензорот. Можете повторно да го вклучите производот за да сварите друго кафе. Стапете во контакт со овластен сервис ако грешката се појави повторно.

Грешка со фезвето за варење кафе 1

LED сијаличката на копчето за варење кафе од соодветната преграда трепка во црвена боја



Исклучете го производот Извадете го фезвето. Употребете влажна крпа за да ја исчистите основата на фезвето, грешната површина (гледајте грејната површина да е изладена) и стаклото на сензорот. Можете повторно да го вклучите производот за да сварите друго кафе. Стапете во контакт со овластен сервис ако грешката се појави повторно.

Грешка со фезвето за варење кафе 2

LED сијаличките на копчињата за варење кафе постојано светат во црвена боја



Исклучете го производот Извадете го фезвето. Употребете влажна крпа за да ја исчистите основата на фезвето, грешната површина (гледајте грејната површина да е изладена) и стаклото на сензорот. Можете повторно да го вклучите производот за да сварите друго кафе. Стапете во контакт со овластен сервис ако грешката се појави повторно.

Нема вода

Индикаторската LED сијаличка свети постојано во црвена боја



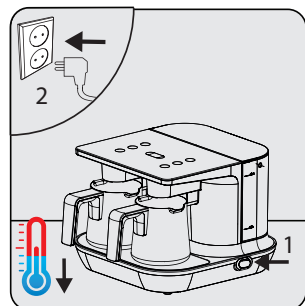
Наполнете го резервоарот со вода до максималното ниво. (Ако нема вода, ќе се исклучат копчињата за варење кафе и нема да можете да изберете ништо).

3 Чистење и одржување

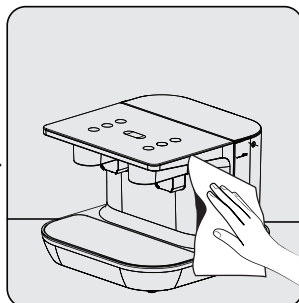
3.1 Чистење

ПРЕДУПРЕДУВАЊЕ:

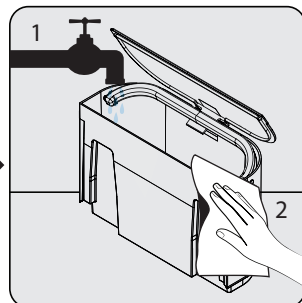
- Со оглед дека уредот се загрева за време на варењето, почекајте да се излади кога ќе сакате да го исчистите.
- Никогаш не употребувајте бензин, растворувачи, абразивни средства за чистење, метални предмети или тврди четки кога го чистите уредот.
- Никогаш не потопувајте го апаратот, неговиот кабел за напојување или приклучокот за струја во вода или некоја друга течност.
- Употребувајте сува крпа за да ги избришете капките вода што се појавуваат врз стаклото на сензорот (16-17) по неколку варења кафе.
- Не мијте го фезвето (15) во машината за садови.



Ставете го копчето за вклучување и исклучување (12) на уредот во позиција „Off“ (0). Исклучете го уредот од струја. Почекајте да се излади.



Употребете влажна крпа и мала количина средство за миење садови за да ја исчистите надворешната површина на уредот.



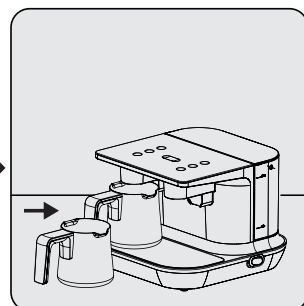
Отстранете го резервоарот за вода (10) од уредот. Измијте го под вода што тече со малку средство за миење садови. Потоа, вратете го.



Измијте го фезвето на рака.



Потоа, исушете го.



Откако ќе биде суво, вратете го во уредот.

3 Чистење и одржување

3.1.2 Отстранување бигор

За навремено да ги исчистите дамките (наслагите) што може да се појават во ѓезвето без да ја оштетите површината на внатрешноста, истурете една лажичка кристали лимонска киселина во ѓезвето и ставете зовриена вода што ќе исполни 1/3 од ѓезвето. Почекајте 10 минути. Откако ќе поминат 10 минути, можете да го исплакнете ѓезвето (15) и повторно да го употребувате.



ПРЕДУПРЕДУВАЊЕ: Ако не го правите ова почесто, внатрешноста на резервоарот ќе биде покриена со бигор и нема да функционира резервоарот.

3.2 Чување

- Доколку немате намера да го користите уредот подолго време, складирајте го внимателно.
- Гледајте уредот да е исклучен од струја, да е изладен и целосно сув.
- Чувајте го уредот на ладно и суво место.
- Држете го уредот и кабелот за струја понастрана од дофат на деца.

3.3 Ракување и транспорт

- За време на ракувањето со уредот и неговото транспортирање, носете го во неговото оригинално пакување. Пакувањето го заштитува од секакви физички оштетувања.
- Не ставајте тешки работи врз уредот или врз пакувањето. Уредот може да се оштети.
- Доколку ви падне на земја може да престане да работи или да биде трајно оштетен.

4 Технолошки карактеристики на уредот



Автоматски систем за мешање што се грижи кафето да биде пенливо и идеално КОНЗИСТЕНТНО



Технологија што овозможува да направите кафе со најдобра конзистентност.



Дополнителен безбедносен систем што ја елиминира потребата да внимавате дали кафето е готов

5 Пред да повикате овластен сервис



Прво, проверете дали уредот е вклучен во струја.



Проверете дали има прекин или оштетување на кабелот.



Проверете дали има доволно вода во резервоарот за вода и дали е ставен на место.



Исчистете го стаклото за детектирање ниво.

Najprije pročitajte ovaj priručnik!

Poštovani kupče,

Hvala vam što preferirate ovaj proizvod tvrtke Beko. Nadamo se da ćete dobiti najbolje rezultate od vašeg proizvoda koji je proizveden s pomoću kvalitetne i moderne tehnologije. Zbog toga prije uporabe proizvoda pažljivo i u potpunosti pročitajte korisnički priručnik i sve druge popratne dokumente i čuvajte ih kao referencu za buduću uporabu. Ako predajete proizvod nekome drugome, prosljedite toj osobi i korisnički priručnik. Slijedite upute pazeći na sve informacije i upozorenja u korisničkom priručniku.

Značenje simbola

Sljedeći se simboli upotrebljavaju u raznim dijelovima ovog priručnika:



Važne informacije i korisni savjeti o uporabi.



UPOZORENJE: Upozorenja o opasnim situacijama vezanim za sigurnost života i imovine.



Pogodan za kontakt s hranom.



Upozorenje o strujnom udaru.



Funkcijsko uzemljenje



Razred zaštite od strujnog udara.



Ovaj je proizvod proizveden u najmodernijim postrojenjima na ekološki neškodljiv način.

1. Kontrolna ploča
2. Lijevi odjeljak, gumb za početak spravljanja 3 posluženja kave
3. Lijevi odjeljak, gumb za početak spravljanja 2 posluženja kave
4. Lijevi odjeljak, gumb za početak spravljanja 1 posluženja kave
5. LED indikator vode
6. Desni odjeljak, gumb za početak spravljanja 1 posluženja kave
7. Desni odjeljak, gumb za početak spravljanja 2 posluženja kave
8. Desni odjeljak, gumb za početak spravljanja 3 posluženja kave
9. Mala-srednja-velika gumb za podešenje veličine šalice
10. Spremnik za vodu (1.5 l)
11. Mrežni kabel
12. Gumb za uključivanje/isključivanje
13. Grijaća površina desnog odjeljka
14. Grijaća površina lijevog odjeljka
15. Lonci za kavu - 2x
16. Detekcijski senzor desnog odjeljka za spravljanje kave
17. Detekcijski senzor lijevog odjeljka za spravljanje kave
18. Žlica za mjerenje kave

Tehnički podaci

Snaga: Ukupna nazivna ulazna snaga: 1100 W

Ulazna snaga indukcijskog grijanja:

2 X 525 W = 1050 W

Napon: 220-240 V AC ~, 50-60 Hz

Klasa električne izolacije: II



Izmjene u dizajnu i tehničkim specifikacijama su pridržane.

Vrijednosti iskazane na oznakama pričvršćenim na uređaju ili drugim ispisanim dokumentima isporučenim s uređajem predstavljaju vrijednosti dobivene u laboratorijima u skladu s postojećim standardima. Te se vrijednosti mogu razlikovati s obzirom na uporabu proizvoda i uvjete okoline.

Ovaj dio sadrži upute o sigurnosti koje će vam pomoći u zaštiti od tjelesnih ozljeda ili materijalne štete. Nepoštivanje ovih uputa poništava sve vrste odobrenih jamstava.

1.1 Općenita sigurnost

- Ovaj uređaj u skladu je s međunarodnim sigurnosnim standardima.
- Nikada ne koristite uređaj vani ili u kupaonici.
- Proizvođač neće biti odgovoran i jamstvo neće vrijediti za štetu nastalu zbog zlorabe ili nepravilnog rukovanja uređajem.
- Nikada ne pokušavajte rastaviti uređaj ili odvojiti njegove ugrađene dijelove.
- Uvijek upotrebljavajte samo originalne dijelove ili one koje je preporučio proizvođač.
- Uvijek koristite uređaj na stabilnoj, ravnoj, čistoj i suhoj površini.
- U lonac za spravljanje kave ne stavljajte nikakve druge stvari osim kave i šećera.
- Nemojte piti skuhanu tursku kavu iz lonca za spravljanje kave.
- Kuhalo za kavu dizajnirano je za rad na temperaturama od 4-37 °C pri relativnoj vlažnosti 80 %.
- Zbog tehnologije proizvodnje, na grijaču uređaja se tijekom prve uporabe mogu pojaviti para i neobičan miris. To je uobičajeno. Oni će nakon nekoliko ciklusa nestati.
- **UPOZORENJE:** Kada spravljate kavu, ne pomičite kuhalo i ne sklanjajte lonac za kavu.
- Ne pomičite uređaj dok je on još vruć ili dok se u loncu za spravljanje kave nalazi tekućina.
- Lonac za kavu i grijaće površine postaju vrući tijekom uporabe. Iz tih razloga, nemojte doticati grijaće površine ili lonac tijekom i nakon uporabe (dok se ne ohladi).
- **UPOZORENJE:** Kada spravljate kavu, može se javiti vruća para iznad lonca. Izbjegavajte doticanje ovih oblasti da biste se zaštitili od učinaka vruće pare.

- Izbjegavajte doticanje vrućih površina te držite lonac samo za ručicu.
- Uređaj prilikom pomicanja mora biti isključen.
- Podloga (grijaća površina) na koju se postavlja lonac za spravljanje kave tijekom rada postaje vruća. Stoga ne dodirujte to područje tijekom uporabe uređaja, sve dok se uređaj ne ohladi.
- Ovaj se uređaj treba spojiti na zaštitni strujni osigurač u kućanstvu maksimalne jačine u iznosu od 30 mA za dodatnu zaštitu.
- Uređaj upotrebljavajte s uzemljenom utičnicom.
- Ako je napojni kabel oštećen, smjesta zaustavite korištenje kako biste spriječili svakakvu opasnost te ga zamijenili putem proizvođača, servisnog agenta ili sličnog kvalificiranog osoblja.
- Nemojte koristiti uređaj ako je isti ili bilo koji njegov dio oštećen. Kontaktirajte ovlašteni servis.
- Ne upotrebljavajte produžni kabel za rad uređaja.
- Ne uranjajte uređaj, kabel napajanja ili utikač u vodu ili druge tekućine.
- Ne dodirujte uređaj ili utikač ako su vam ruke vlažne ili mokre.
- Postavite uređaj na takav način da je utikač uvijek dostupan.
- Oštećenja kabela napajanja spriječite tako da ga ne pritišćete, ne presavijate ili trljate o oštre rubove. Držite kabel napajanja podalje od vrućih površina i otvorenog plamena.
- Pazite da ne postoji opasnost da će se kabel napajanja slučajno povući ili da će netko zapeti o njega dok se uređaj koristi.
- Izvucite napojni kabel uređaja iz utičnice prije njegovog čišćenja te ga nikada nemojte čistiti dok je u uporabi.
- Nemojte povlačiti kabel napajanja uređaja kako biste ga isključili iz utičnice i nemojte namotavati kabel napajanja oko uređaja.
- Vaša električna mreža treba biti u skladu s podacima na tipskoj pločici uređaja.

- Nikada ne upotrebljavajte uređaj na ili blizu mjesta gdje su prisutna eksplozivna ili zapaljiva mjesta ili predmeti.
- Ne upotrebljavajte uređaj pokraj ili blizu izvora topline (plamenik, roštilj, grijaća jezgra, štednjak itd.).
- Uređaj držite podalje od izvora pare i izbjegavajte uporabu uređaja u okruženjima u kojima se nalazi velika količina pare.
- Lonac za spravljanje kave ne upotrebljavajte ni s jednim drugim grijačem (plamenik itd.), osim uz ovaj uređaj.
- Ne stavljajte ništa (šalice, lonce za kavu itd.) na uređaj.
- Ovaj uređaj nije namijenjen komercijalnoj upotrebi. Ovaj je uređaj predviđen za kućnu upotrebu, na mjestima kao što su:
 - trgovine, uredi i kuhinje za osoblje u drugim radnim okruženjima,
 - farme,
 - hoteli, moteli i druga rezidencijalna mjesta,
 - prenoćišta s doručkom.
- Ovaj se uređaj upotrebljava samo za kuhanje kave.
- Preporučuje se iznimna pažnja kad se uređaj upotrebljava blizu djece i ljudi s ograničenim tjelesnim, osjetilnim ili mentalnim sposobnostima.
- Uređaj mogu upotrebljavati djeca od 8 godina ili starija i osobe s ograničenim fizičkim, osjetilnim ili mentalnim sposobnostima ili pak s nedostatkom iskustva i znanja o uređaju, ako su pod nadzorom ili su obaviješteni o ili im je objašnjena sigurna uporaba uređaja i moguće opasnosti u vezi s uređajem. Djeca se ne smiju igrati s uređajem.
- Postupke čišćenja i održavanja ne smiju provoditi djeca starija od 8 godina, osim ako su pod nadzorom starijih osoba.
- Ako zadržite materijal pakiranja, držite ga podalje od djece.
- Držite uređaj izvan dohvata djece mlađe od 8 godina.
- Djeca moraju biti pod nadzorom da se ne bi igrala s uređajem.

- Ovaj proizvod sadrži jedino priključnicu za funkcijsko uzemljenje.
- Ako koristite premoštenje, konzultirajte proizvođača prije uporabe uređaja.
- Provedite čišćenje i održavanje u skladu s odjeljkom „Čišćenje i održavanje” ovog priručnika.
- UPOZORENJE: Ako ima oštećenja (naprsline, lomovi itd.) na površini za kuhanje kave, smjesta isključite proizvod iz struje i nemojte ga koristiti da biste spriječili strujni udar te kontaktirajte ovlašteni servis.
- Nemojte puniti spremnik za vodu drugim tvarima (mlijeko, mlijeko u prahu) osim vodom.
- Nemojte preliti maksimalnu razinu označenu na spremniku za vodu.
- Kada spravljate kavu, nemojte miješati kavu žlicom ili bilo kojim predmetom te nemojte intervenirati na proces.
- Ne ostavljajte metalne predmete (kao pribor za jelo) na vruće površine u prostoru kuhanje kave jer ovi predmeti mogu postati vrući.
- Ne koristite uređaje s vanjskim mjeriteljem vremena ili sustavom daljinskog upravljanja.
- Uređaj se ne može koristiti u ugrađenim aplikacijama i nije namijenjen za uporabu u ormarima. Ne stavljajte kuhalo za kavu u ormar dok je isto u uporabi.

1.2 Sukladnost s WEEE direktivom i odlaganje otpadnog proizvoda



Ovaj proizvod ne sadrži opasne i zabranjene materijale naznačene u „Pravilniku o gospodarenju otpadnim električnim i elektroničkim uređajima“ koji je izdalo Ministarstvo okoliša i urbanizacije. Ovaj je uređaj u skladu s propisima WEEE. Ovaj proizvod je proizveden od kvalitetnih dijelova i materijala te se može ponovno koristiti i reciklirati. Stoga ne odlažite proizvod s uobičajenim kućanskim otpadom na kraju radnog vijeka. Odnosite ga na odlagalište za reciklažu električne i elektroničke opreme. Kontaktirajte lokalne vlasti za mjesta prikupljanja u vašoj regiji. Pomognite u zaštiti okoliša i prirodnih resursa reciklažom iskorištenih proizvoda.

1.3 Informacije o pakiranju



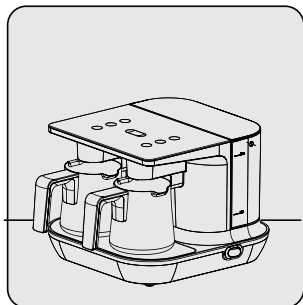
Ambalaža proizvoda izrađena je od materijala koji se mogu reciklirati u skladu s nacionalnim zakonodavstvom. Ne odlažite ambalažne materijale zajedno s kućanskim ili ostalim otpadom. Odnosite ih na odlagališta za ambalažu koja je odredilo lokalno zakonodavstvo.

2 Uporaba

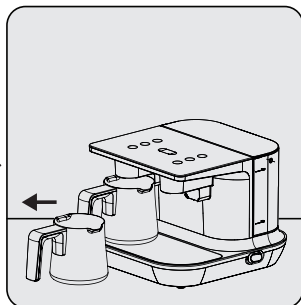
2.1 Prva uporaba

i Pročitajte cijeli priručnik za korištenje prije uporabe proizvoda.

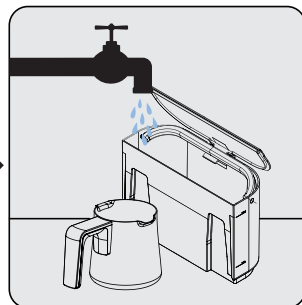
Uvjerite se da je uređaj postavljen pravo i uravnoteženo na ravnu, čistu, suhu i neklizajuću površinu.



Stavite proizvod okomito na ravnu, čistu i suhu površinu.



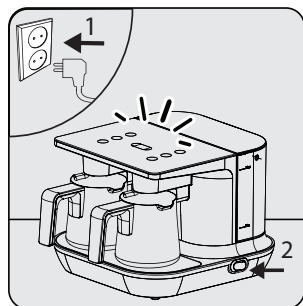
Lagano izvucite lonac za spravljanje kave (15) iz njegovog ležišta.



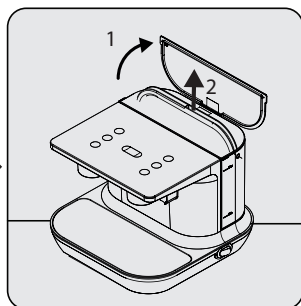
Ručno operite spremnik za vodu (10) i lonac za spravljanje kave (15) te ih osušite.

i Za pripremu ukusne kave, pripazite da lonac za kuhanje (15) bude suh i čist.

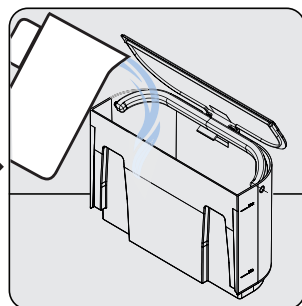
i Prilikom pripreme kave pripazite da ispod lonca za kuhanje (15) nema prolivene vode. U suprotnom će se začuti neugodna buka kad voda dođe u dodir s vrućom podlogom.



Uključite utikač (11) u zidnu utičnicu. Prebacite gumb za uključivanje/isključivanje (12) na položaj Uključeno (I) - svi gumbi na kontrolnoj ploči (1) će pobijeliti.



Otvorite poklopac spremnika za vodu. Držeći ručku, lagano ga izvucite da biste ga skinuli.

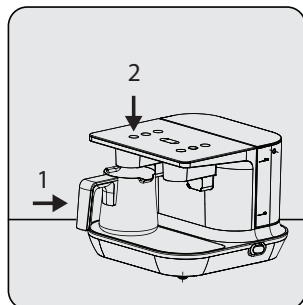


Napunite spremnik za vodu (10) do razine između minimalne i maksimalne razine. Zatvorite poklopac ponovno te vratite spremnik na svoje mjesto.

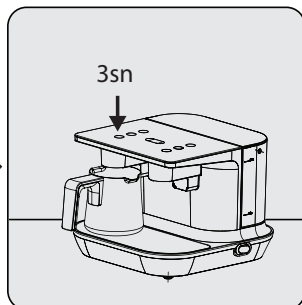
2 Uporaba

i Ako želite, možete također puniti spremnik za vodu (10) bez njegovog potpunog vađenja. Ponovite isti proces nakon što vas uređaj upozori na nedostatak vode (5).

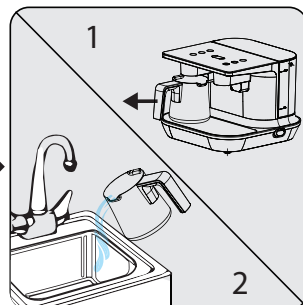
Za punjenje crpke i vodnog sustava vodom i curenje zraka iz sustava.



Stavite lonac za spravljanje kave u lijevi odjeljak grijaće površine (14). Pritisnite gumb za spravljanje kave u lijevom odjeljku za 3 posluženja (2).



Čim proces crpljenja vode završi, pritisnite i zadržite isti gumb 3 sekunde da biste završili proces spravljanja kave.



Uzmite lonac za kavu (15) te sipajte vodu u njega niz slivnik.

i Na ovaj način je osiguran pravilan rad crpke u uređaju.

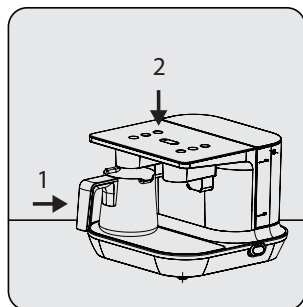


UPOZORENJE: Ponovite ovaj proces također nakon što odvadite/stavite spremnik za vodu iz/na njegovog/njegovo mjesto i prije spravljanja kave.

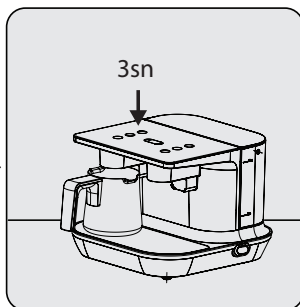
Za prilagodbu količine vode veličini šalice:

	Mala šalica za jedno posluženje	60 ml u prosjeku.
	Srednja šalica za jedno posluženje	70 ml u prosjeku.
	Velika šalica za jedno posluženje	80 ml u prosjeku.

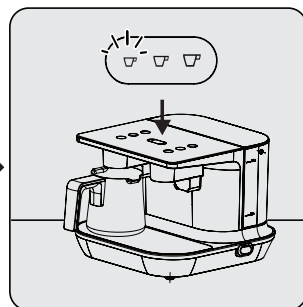
2 Uporaba



Stavite lonac za spravljanje kave (15) u lijevi odjeljak grijače površine (14). Pritisnite gumb za spravljanje kave u lijevom odjeljku za 1 posluženje (4).



Čim proces crpljenja vode završi, pritisnite i zadržite isti gumb 3 sekunde da biste završili proces spravljanja kave te sipajte vodu unutar lonca za kavu (15) u vašu šalicu.

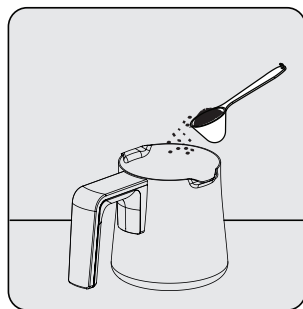


Ako je količina vode koju ste sipali u vašu šalicu premala ili prevelika, pritisnite gumb za prilagodbu veličine šalice da biste je podesili na malu, srednju ili veliku (9). Možete pritisnuti gumb za prilagodbu veličine šalice (9) za prebacivanje između razina. Kada se LED svjetlo željene veličine šalice upali, proces je završen.

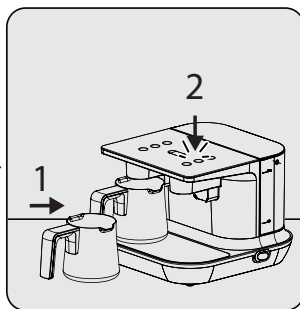


LED svjetlo za veličinu šalice će prikazati razinu na kojoj je proizvod postavljen. Ponovite proces prilagodbe količine vode kada mijenjate veličinu šalice. Ponovite proces prilagodbe količine vode kada mijenjate veličinu šalice.

2.2 Spravljanje kave

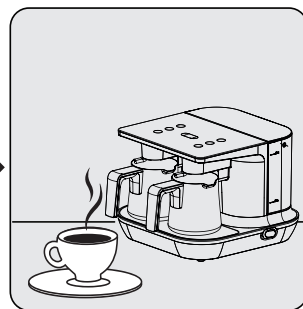


Stavete ja posakuваната количина кафе и шеќер (максимум за 3 дози) во фезвето за варење кафе (15).



Поставете го фезвето (15) на место за да се свари кафето. Малку притиснете го копчето што се наоѓа во преградата во којашто сте го ставиле фезвето (15) и ќе се прикаже бројот на дози врз основа на количината кафе што сте ја додале.

- Сијаличката на избраното копче ќе засвети во бела боја.



Штом заврши процесот на варење кафе, ќе слушнете звук за предупредување и LED сијаличката од копчето за варење кафе ќе трепка во бела боја. Штом LED сијаличката смени нијанса на бела боја, полака извлечете го фезвето за варење (15) од преградата и сипете кафе во шолја.

2 Uporaba



UPOZORENJE:

- Pripazite da ne zaprljate grijaću površinu (13-14). Ako prospete kavu na grijaću površinu, obrišite je blago vlažnom krpom prije nego se osuši.
- Ne upotrebljavajte lonac za spravljanje kave ni s jednim drugim uređajem za kuhanje, osim s ovim kuhalom za kavu! (Gorionik itd.)
- Uređaj neće započeti s radom ako lonac za kuhanje (15) nije ispravno postavljen na postolju.
- Lonac u uspravnom položaju u potpunosti umetnite natrag u predviđeno postolje. U suprotnom vaš proizvod neće raditi.



- Vrijeme kuhanja za 1 osobu je 1-1,5 minuta, za 2 osobe 1,5-2,5 minuta i za 3 osobe 2-3,5 minuta.
- Za ukusnu kavu, izvadite lonac za kavu (15) iz ležišta bez čekanja!
- Brzo prelijte kavu u šalice kako biste izbjegli taloženje pjene i ostataka u loncu za spravljanje kave (15).
- Ako želite obustaviti proces spravljanja kave iz bilo kog razloga, pritisnite i zadržite 3 sekunde odabrani gumb za spravljanje kave.

2.3 Količine

Ovaj uređaj, jednostavan za uporabu, osmišljen je za kuhanje turske kave. S pomoću količina navedenih u tablici možete pripremiti kremastu tursku kavu koja odgovara vašem ukusu. Sljedeće količine navedene su samo u informativne svrhe. Možete ih prilagoditi prema vašem osobnom ukusu.

- Dodajte dostatno kave za jednu, dvije ili tri osobe korištenjem mjerice, željenu količinu šećera i potrebnu količinu vode za veličinu vaše šalice (preporučena veličina šalice je 65 ml) u lonac za kavu.
- Ove količine su za srednju šalicu za jedno posluženje. Možete koristiti mjericu snabdjevenu uz proizvod za mjerenje količine kave. Za kremastu, ukusnu kavu, koristite fino samljevenu svježu kavu pogodnu za spravljanje turske kave.

Preporučene količine sastojaka za pripremu kave				
	Bez šećera	S malo šećera	Srednja količina šećera	Slatka
Kava	1 mjerica	1 mjerica	1 mjerica	1 mjerica
Šećer	-	1/2 kocke šećera / 1/2 čajne žličice granuliranog šećera	1 kocka šećera / 1 čajna žličica granuliranog šećera	2 kocke šećera / 2 čajne žličice granuliranog šećera

*Овие количини се за една доза.

*Можете да подготвите максимум 3 дози во едно фезве.

*Препорачуваме да употребувате коцки шеќер со цел полесно приспособување на количината шеќер.

2 Uporaba

2.4 Način rada mirovanja

Ako se na uređaju 3 minute ne provede niti jedna radnja, on će dati zvučno upozorenje (kratki zvučni signal) i prebaciti se u način rada mirovanja. Ako pritisnete gumb za početak spravljanja kave ili gumb za prilagodbu veličine šalice, čut ćete zvučno upozorenje i uređaj će izići iz načina rada mirovanja.

2.5 Obavijesti

Proizvod je spreman za pripremu kave

LED svjetlo odabrane veličine šalice konstantno svijetli bijelo. LED svjetlo gumba za početak spravljanja kave je prijavu bijelo.

Spravljanje kave

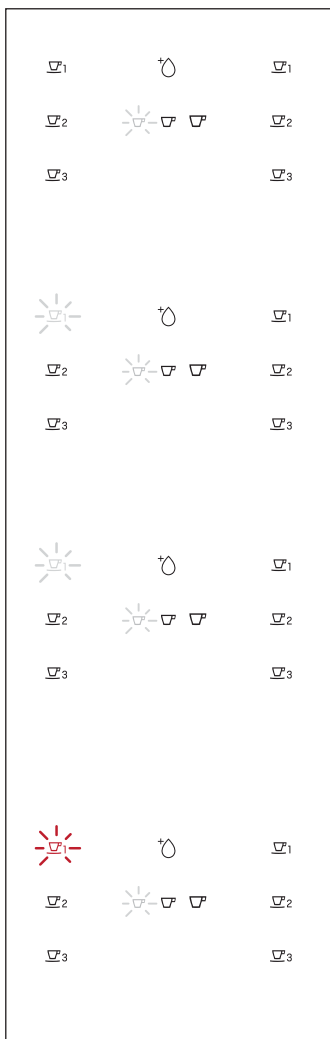
LED svjetlo odabranog gumba za početak spravljanja kave konstantno svijetli bijelo.

Proces spravljanja kave je završen

LED svjetlo odabranog gumba za početak spravljanja kave konstantno trepće bijelo.

Pogreška prekoračenja razine

LED svjetla odabranih gumbova za početak spravljanja kave trepće crveno.



Molimo sačekajte

Ne sklanjajte lonac za spravljanje kave.

Sklonite lonac za spravljanje kave, i sipajte kavu u šalicu prije služenja.

Isključite uređaj. Odvadite lonac za spravljanje kave iz njegovog ležišta. Koristite vlažnu krpu za čišćenje temelja lonca za spravljanje kave, grijaće površine (uvjerite se da je grijaća površina hladna) i senzorskog stakla. Možete ponovno uključiti proizvod za početak novog spravljanja kave. Kontaktirajte ovlašt enog servisnog agenta ako se pogreška javi ponovno.

2 Uporaba

Pogreška prekida

LED svjetla odabranih gumbova za početak spravljanja kave neprekidno svijetli crveno



Isključite uređaj. Odvadite lonac za spravljanje kave iz njegovog ležišta. Koristite vlažnu krpu za čišćenje temelja lonca za spravljanje kave, grijače površine (uvjerite se da je grijača površina hladna) i senzorskog stakla. Možete ponovno uključiti proizvod za početak novog spravljanja kave. Kontaktirajte ovlaštenog servisnog agenta ako se pogreška javi ponovno.

Pogreška 1 u spravljanju kave

LED svjetla gumba za početak spravljanja kave za odnosni odjeljak trepću crveno.



Isključite uređaj. Odvadite lonac za spravljanje kave iz njegovog ležišta. Koristite vlažnu krpu za čišćenje temelja lonca za spravljanje kave, grijače površine (uvjerite se da je grijača površina hladna) i senzorskog stakla. Možete ponovno uključiti proizvod za početak novog spravljanja kave. Kontaktirajte ovlaštenog servisnog agenta ako se pogreška javi ponovno.

Pogreška 2 u spravljanju kave

LED svjetla svih gumbova za početak spravljanja kave neprekidno svijetli crveno



Isključite uređaj. Odvadite lonac za spravljanje kave iz njegovog ležišta. Koristite vlažnu krpu za čišćenje temelja lonca za spravljanje kave, grijače površine (uvjerite se da je grijača površina hladna) i senzorskog stakla. Možete ponovno uključiti proizvod za početak novog spravljanja kave. Kontaktirajte ovlaštenog servisnog agenta ako se pogreška javi ponovno.

Nema vode

LED indikator vode neprekidno svijetli crveno



Napunite spremnik za vodu do maksimalne razine. (Kada nije preostalo vode, gumbovi za početak spravljanja kave će se isključiti i korisnik ne može raditi novi odabir).

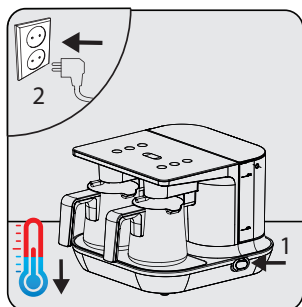
3 Čišćenje i održavanje

3.1 Čišćenje

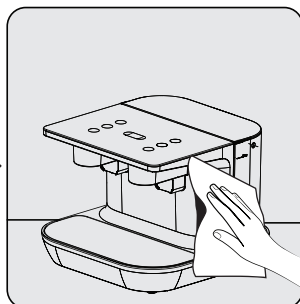
UPOZORENJE:



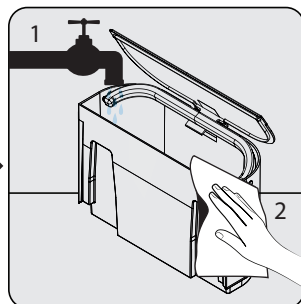
- Obzirom da će uređaj biti vruć tijekom spravljanja kave, molimo sačekajte dok se ne ohladi ako ga želite čistiti.
- Za čišćenje uređaja nikada nemojte upotrebljavati benzin, otapala, abrazivna sredstva, metalne predmete ili tvrde četke.
- Ne uranjajte uređaj u vodu ili bilo koju drugu tekućinu.
- Koristite suhu krpu za brisanje kapljica vode koje se pojavljuju na senzorskom staklu (16-17) nakon uzastopnih ciklusa spravljanja kave.
- Nemojte prati lonac za kavu (15) u perilici posuđa.



Prebacite gumb uključeno/isključeno (12) uređaja na položaj Isključeno (0). Isključite uređaj iz napajanja. Pustite da se ohladi.



Očistite vanjsku površinu uređaja s pomoću vlažne krpe i malo tekućine za pranje.



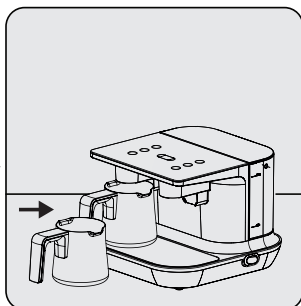
Skinite spremnik za vodu (10) s uređaja. Operite ga pod mlazom vode s malo tekućine za pranje. Zatim ga osušite i vratite na mjesto.



Ručno operite lonac za spravljanje kave.



Zatim ga osušite.



Nakon što se osuši ponovno ga vratite na uređaj.

3 Čišćenje i održavanje

3.1.2 Uklanjanje kamenca

Za čišćenje mrlja (nanosa) koje se mogu pojaviti vremenom u loncu za kuhanje kave bez oštećenja unutarnje temeljne površine, sipajte jednu žličicu kristala limunske kiseline u lonac za kavu te sipajte kipuću vodu u njega, tako da voda napuni 1/3 lonca. Sačekajte 10 minuta. Kada prođe 10 minuta, možete isprati lonac za spravljanje kave (15) te ga koristiti ponovno.



UPOZORENJE: Ako dulje vremena niste proveli proces skidanja kamenca, temelj spremnika za vodu uređaja će biti pokriven kamencem i neće biti u funkciji.

3.2. Pohrana

- Ako ne planirate upotrebljavati uređaj dulje vrijeme, pažljivo ga pohranite.
- Provjerite da je uređaj isključen iz struje, da se ohladio i da je u potpunosti suh.
- Pohranite uređaj na hladnom i suhom mjestu.
- Držite uređaj i kabel za napajanje izvan dohvata djece.

3.3 Rukovanje i transport

- Tijekom rukovanja i transporta uređaj nosite u originalnom pakiranju. Ambalaža štiti uređaj od fizičkog oštećenja.
- Nemojte stavljati teške terete na uređaj ili ambalažu. Može doći do oštećenja uređaja.
- Ispuštanje uređaja na tlo može onemogućiti njegov rad i uzrokovati trajno oštećenje.

4 Tehnološka superiornost uređaja



Sustav automatskog miješanja koji osigurava da je kava kremasta te idealno konzistentna.



Tehnologija koja omogućuje najkonzistentnije spravljanje kave.



Sustav dodatne sigurnosti eliminira potrebu za stalnim nadzorom kave dok se istaspravlja.

5 Prije nego pozovete ovlaštenog servisnog agenta



Prvo provjerite je li uređaj uključen u napajanje ili nije.



Provjerite je li kabel prekinut ili oštećen.



Provjerite ima li dostatno vode u spremniku za vodu te da li pristaje na svom mjestu ili ne.



Očistite staklo za ispoljavanje razine.


Ju lutemi të lexoni më parë këtë manual!

I nderuar konsumator,

Faleminderit që keni preferuar këtë pajisje Beko. Shpresojmë që të arrini rezultatet më të mira nga pajisja juaj, e cila është prodhuar me cilësi të lartë dhe me teknologjinë më të fundit. Prandaj, lutemi të lexoni me kujdes të gjithë këtë manual dhe dokumentet e tjera shoqëruese para se ta përdorni pajisjen dhe mbajeni si referencë për ta përdorur në të ardhmen. Nëse ia jepni pajisjen dikujt tjetër, jepini gjithashtu edhe manualin e përdorimit. Ndiqui udhëzimet duke i kushtuar vëmendje të gjitha informacioneve dhe paralajmërimeve në manualin e përdorimit.

Kuptimi i simboleve

Simbolet e mëposhtme janë përdorur në pjesë të ndryshme të këtij manuali:


 Informacione të rëndësishme dhe sugjerime të dobishme për përdorimin.

 **PARALAJMËRIM:** Paralajmërim për situata të rrezikshme në lidhje me sigurinë e jetës dhe pronës.

 I përshtatshëm për kontakt me ushqimin.

 Paralajmërim për goditje elektrike.

 Tokëzimi funksional

 Kategoria e mbrojtjes për goditjet elektrike.



Ky produkt është prodhuar në ambiente që nuk dëmtojnë mjedisin me teknologji më të fundit.

1. Paneli i kontrollit
2. Dhomëza e majtë, butoni për të bërë 3 shërbime të kafes
3. Dhomëza e majtë, butoni për të bërë 2 shërbime të kafes
4. Dhomëza e majtë, butoni për të bërë 1 shërbime të kafes
5. Indikator LED i ujit
6. Dhomëza e djathtë, butoni për të bërë 1 shërbime të kafes
7. Dhomëza e djathtë, butoni për të bërë 2 shërbime të kafes
8. Dhomëza e djathtë, butoni për të bërë 3 shërbime të kafes
9. Butoni për përshtatjen e madhësisë së filxhanit- E vogël- E mesme-E madhe
10. Rezervuar uji (1.5 l)
11. Kablloja elektrike
12. Butoni i kyçjes/shkyçjes
13. Sipërfaqja e nxehtë e dhomëzës së djathtë
14. Sipërfaqja e nxehtë e dhomëzës së majtë
15. Ibrikë për kafe -2x
16. Sensor detektues i kafes i dhomëzës së djathtë
17. Sensor detektues i kafes i dhomëzës së majtë
18. Lugë për matjen e kafes

Të dhëna teknike

Fuqia: Fuqia nominale totale hyrëse 1100 W
Fuqia hyrëse e nxehtësimit me induksion: 2 X 525 W = 1050 W

Voltazhi: 220-240 V AC ~, 50-60 Hz

Klasa e izolimit elektrik II



Modifikimet teknike dhe të dizajnit janë të rezervuara.

Vlerat që janë deklaruar në shënimet e ngjitura në produktin tuaj ose në dokumentet e printuara të dhëna bashkë me të tregojnë vlerat që janë marrë në laboratorë sipas standardeve përkatëse. Këto vlera mund të ndryshojnë sipas përdorimit të pajisjes dhe kushteve të ambientit.

1 Udhëzime të rëndësishme për sigurinë dhe mjedisin

Ky seksion përmban udhëzime sigurie që do të ndihmojnë për t'u mbrojtur nga lëndimet personale ose dëmtimet e pronës.

Mosndjekja e këtyre udhëzimeve e bën garancinë të pavlefshme.

1.1 Siguria e përgjithshme

- Kjo pajisje është në përputhje me standardet ndërkombëtare të sigurisë.
- Mos e përdorni pajisjen jashtë dhe në banjo.
- Nuk mbahet asnjë përgjegjësi ose garanci për dëmtimet që vijnë nga keqpërdorimi ose përdorimi i pakujdesshëm i pajisjes.
- Asnjëherë mos provoni ta çmontoni ose të ndani pjesët e montuara të pajisjes.
- Përdorni vetëm pjesë origjinale ose pjesë të rekomanduara nga prodhuesi.
- Gjithmonë përdoreni pajisjen mbi një sipërfaqe të palëvizshme, të sheshtë, të pastër dhe që nuk rrëshqet.
- Mos hidhni asnjë substancë tjetër përveç kafe, sheqer në rezervuarin e zierjes.
- Mos e pini kafën e pjekur turke me rezervuarin për bërjen e kafes
- Makina e kafes është bërë që të punojë në 4-37°C 80% lagështi relative.
- Për shkak të teknologjisë së prodhimit, mund të dalë avull dhe aromë në elementin e nxehjes të produktit tuaj gjatë përdorimit në fillim. Kjo është normale. Ato do të zhduken pas disa ciklesh.
- **PARALAJMËRIM:** Kur bëni kafe, mos e lëvizni pajisjen dhe mos largoni rezervuarin e kafe.
- Mos e lëvizni pajisjen kur është akoma e nxehtë ose kur ka lëng brenda rezervuarit të zierjes.
- Rezervuari i kafes dhe sipërfaqet e nxehjes nxehen gjatë përdorimit. Për këtë arsye, mos e prekni sipërfaqen për nxehje ose rezervuarin gjatë dhe pas përdorimit (deri sa të ftohet)

1 Udhëzime të rëndësishme për sigurinë dhe mjedisin

- **PARALAJMËRIM:** Kur bëni kafe, mund të ketë avull të nxehtë mbi rezervuar. Shmangni kontaktin me këto fusha për të parandaluar djegien nga avulli.
- Shmangni kontaktin me sipërfaqen e nxehta dhe kapni ibrikun vetëm nga doreza.
- Sigurohuni që pajisja të jetë e shkyçur para se ta lëvizni.
- Baza (sipërfaqja e nxehjes) në të cilën vendoset rezervuari nxehet gjatë përdorimit. Prandaj, mos e prekni këtë vend kur e përdorni dhe derisa pajisja të ftohet.
- Kjo pajisje duhet të lidhet me një siguresë mbrojtëse rryme të brendshme maksimale prej 30 mA për më tepër mbrojtje.
- Përdoreni pajisjen vetëm me prizë të tokëzuar.
- Nëse dëmtohet kablloja furnizuese, ndërprisni punën për të evituar rreziqet dhe zëvendësoni kablлон te prodhuesi, agjenti për servisim ose te personeli i kualifikuar.
- Mos e përdorni nëse kabllin i energjisë ose vetë pajisja është dëmtuar. Kontaktoni një shërbim të autorizuar.
- Mos e përdorni pajisjen me kablo shtesë.
- Mos e zhytni pajisjen, kordonin e energjisë ose fishën në ujë apo në lëngje të tjera.
- Mos e prekni pajisjen ose fishën me duar të njoma ose me ujë.
- Vendoseni pajisjen në mënyrë të tillë që fisha të arrihet gjithmonë me lehtësi.
- Parandaloni dëmtimet e kabllit të energjisë duke mos e shtypur, përthyer ose fërkuar mbi cepa të mprehta. Mbajeni kabllin e energjisë larg nga sipërfaqet e nxehta dhe flakët e ndezura.
- Sigurohuni që të mos ketë rrezik që kablli i energjisë të tërhiqet padashur ose që dikush të pengohet ndërkohë që pajisja është në punë.
- Shkyçni veglën para se ta pastroni dhe asnjëherë mos e pastroni përderisa është duke punua.

- Mos e lini kabllon elektrike të pajisjes ta shkëputë pajisjen nga priza dhe mos e mbështillni kabllin e energjisë rrotull pajisjes.
- Rrjeti juaj i energjisë duhet të jetë në përputhje me informacionet e dhëna në etiketën e vlerave të pajisjes.
- Asnjëherë mos e përdorni pajisjen brenda ose pranë vendeve me materiale të djegshme ose që marrin flakë.
- Mos e përdorni pajisjen pas ose pranë burimeve të nxehtësisë (pllakë gatimi, skarë, qendër ngrohjeje, sobë, etj.).
- Mbajeni pajisjen larg nga burimet e avullit dhe mos e përdorni në ambiente me tepër avull.
- Mos e përdorni rezervuarin e kafes me asnjë ngrohëse tjetër (sobë, etj.) përveç pajisjes.
- Mos vendosni asgjë (filxhana, rezervuare të kafes, etj) mbi pajisje.
- Kjo pajisje nuk është e përshtatshme për përdorim komercial. Synon të përdoret për amvisëri në vende si:
 - Shitore, zyra dhe kuzhina personale në mjedise pune.
 - Shtëpi në ferma
 - Nga klientët në hotele, motele dhe ambiente të tjera banimi,
 - Vendet për gjumë dhe kafjall;
- Kjo pajisje mund të përdoret vetëm për të bërë kafe.
- Këshillohet të tregohet tepër kujdes kur përdoret pranë fëmijëve dhe personave me aftësi të kufizuara fizike, shqisore ose mendore.
- Kjo pajisje mund të përdoret nga fëmijë të moshës mbi 8 vjeç dhe nga njerëz me aftësi të kufizuara fizike, perceptuese apo mendore ose nga persona pa përvojë apo pa njohuri për pajisjen për sa kohë ata janë të mbikëqyrur apo të informuar dhe u është bërë i qartë përdorimi i sigurt i pajisjes si dhe rreziqet që mund të ketë. Fëmijët nuk duhet të luajnë me pajisjen.
- Procedurat e pastrimit dhe mirëmbajtjes së përdoruesit nuk duhet të kryhen nga fëmijët mbi 8 vjeç, përveç nëse ato mbikëqyren nga një person i moshuar.

1 Udhëzime të rëndësishme për sigurinë dhe mjedisin

- Mbajeni materialin e paketimit larg nga fëmijët.
- Mbajeni pajisjen larg fëmijëve më të ri se 8 vjeçar.
- Fëmijët duhet të mbikëqyren për t'u siguruar që të mos luajnë me pajisjen.
- Ky produkt përmban lidhje funksionale të tokëzimit.
- Nëse përdor stimulues kardiak, atëherë konsultohuni me mjekun para përdorimit të pajisjes.
- Pastroni dhe kujdesuni për pajisjen në përputhje me rregullat në pjesën „Pastrimi dhe Kujdesi” në këtë doracak.
- **PARALAJMËRIM:** Nëse kemi dëmtim (plasje, prishje, etj.) të sipërfaqeve, menjëherë shkyçni pajisjen nga rrjeti elektrik dhe mos e përdorni atë për të prevenuar tronditjen elektrike, dhe kontakti shërbimin e autorizuar.
- Mos e mbushni serbatorin e ujit me substanca tjera (qumësht, qumësht pluhur) përveç me ujë.
- Mos tejkaloni nivelin maksimal të serbatorit të ujit.
- Kur bëni kafe, mos e përziени kafen me lugë ose ndonjë objekt tjetër dhe mos ndërhyuni në proces.
- Mos vendosni objekte metalike (si pajisjet e kuzhinës) mbi sipërfaqet e nxehta në hapësirat ku gatohen kafja sepse këto nxehen.
- Mos i përdorni pajisjet me tajmer të jashtëm ose sistem të largët kontrolli.
- Kjo pajisje nuk mund të përdoret për zbatime ose përdorime të integruara dhe nuk synon të përdoret brenda kabineteve. Mos e vendosni makinën për kafe në një kabinet kur është në funksion.

1 Udhëzime të rëndësishme për sigurinë dhe mjedisin

1.2 Pajtueshmëria me direktivën WEEE dhe hedhja e produktit të vjetër.



Ky produkt nuk ka materiale të dëmshme ose të ndaluara të specifikuar në „Rregullorja për mbikëqyrjen e pajisjeve mbeturina elektrike dhe elektronike“ të nxjerrë nga Ministria e Mjedisit dhe

Urbanizimit. Kjo pajisje është në përputhje me rregullat WEEE. Ky produkt është ndërtuar nga disa pjesë dhe materiale me cilësi të lartë të mund të riciklohen dhe të ripërdoren. Andaj mos hidhni produktin bashkë me mbeturinat tjera në jetës së tij. Çojeni në një pikë grumbullimi për riciklimin e pajisjeve elektrike dhe elektronike. Kontaktoni autoritetet lokale për pikat e mbledhjes në rajonin tuaj. Ndhmoni në mbrojtjen e mjedisit dhe burimeve natyrore duke i ricikluar produktet e përdorura.

1.3 Informacione për paketimin



Paketimi i produktit është bërë me materiale të riciklueshme në përputhje me legjislacionin tonë vendas. Mos i hidhni materialet e paketimit bashkë me

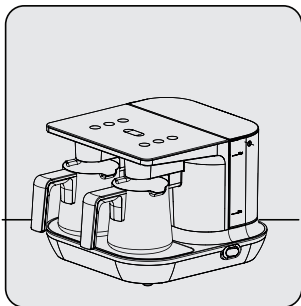
mbeturinat familjare apo me mbeturinat e tjera. Dërgoni ato në pikat e grumbullimit të materialeve të paketimit të caktuara nga autoritetet vendase.

2 Përdorimi

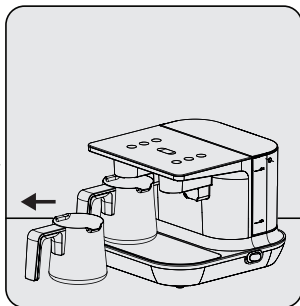
2.1 Përdorimi fillestar

i Lexoni tërë doracakun para se të përdorni produktin.

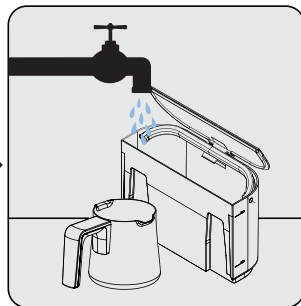
Sigurohuni që pajisja është e drejtë dhe e baraspeshuar në një sipërfaqe të sheshtë, pastër, tharë dhe jo rrëshqitëse.



Vendos produktin vertikalisht në një sipërfaqe të sheshtë, të pastër dhe të tharë.



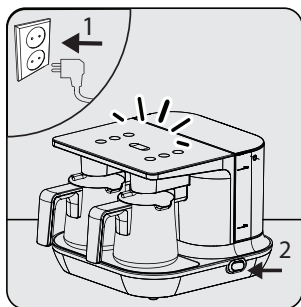
Pak tërhiqni rezervuarin e kafes (15) nga foleja e tij.



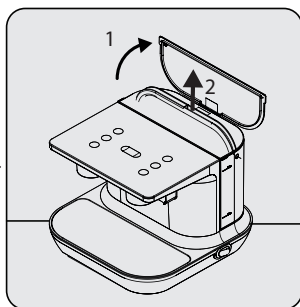
Pastroni rezervuarin e ujit (10) dhe rezervuarin e kafes (15)

i Për të bërë një kafe të shijshme, sigurohuni që pjesa e brendshme e rezervuarit të zierjes (15) të jetë e thatë dhe e pastër.

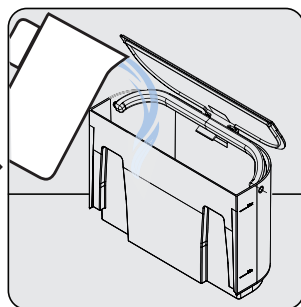
i Sigurohuni që të mos ketë pika uji poshtë rezervuarit të zierjes (15) kur përgatitni kafën. Përndryshe, do të ketë një zhurmë të mërzitshme kur pikat e ujit të bien në kontakt me bazën e nxehtë.



Futeni spinën (11) në prizën në mur. Lëvizni butonin On/Off (12) në pozitën On (I) Tërë butonat në panelin e kontrollit (1) do të bëhen të bardhë.



Hapni kapakun e rezervuarit të ujit. Duke e mbajtur dorezën, e tërheqim pak përjetje për ta çmontuar.

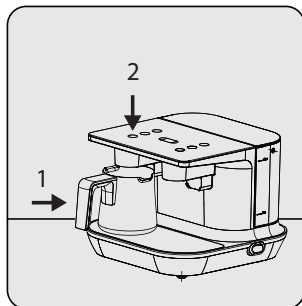


Mbush rezervuarin e ujit (10) deri në nivelin mes niveleve min. dhe maks. Mbyll kapakun sërish dhe ri-instalo atë.

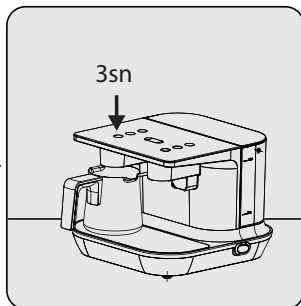
2 Përdorimi

i Nëse dëshironi, ju po ashtu mund të mbushni rezervuarin (10) duke mos e çmontuar plotësisht. Përsërisni procesin e njëjtë pasi pajisja të jep një paralajmërim për shterje (5).

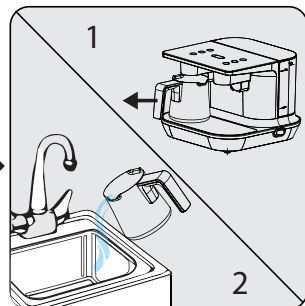
Për ta mbushur pompën dhe sistemin e ujit dhe për ta nxjerrje ajrin nga sistemi:



Vendos rezervuarin e zierjes në sipërfaqen nxehëse të dhomës së majtë (14). Shtyp butonin për zierje të kafes në dhomëzën e majtë për 3 shërbime (2).



Pasi procesi i pompimit të ujit të ketë mbaruar, shtyp dhe mbaj shtypur butonin e njëjtë për 3 sekonda për të mbaruar procesin e bërjes së kafes.






Merr rezervuarin e kafes (15) dhe shter ujin në tubin e lavamanit.

i Kështu, operimi i duhur i pompës në pajisje sigurohet.

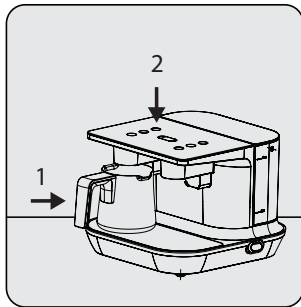


PARALAJMËRIM: Përsërit këtë proces poashtu edhe pas largimit/vendosjes së rezervuarit të ujit nga /në vend dhe para zierjes së kafes.

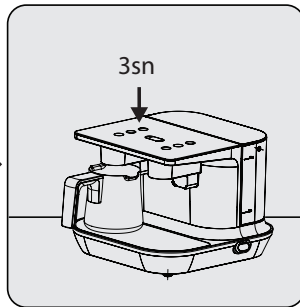
Për të përshtatur sasinë e ujit sipas madhësisë së filxhanit:

	Filxhani i vogël për një shërbim	60 ml mesatarisht.
	Filxhani i mesëm për një shërbim	70 ml mesatarisht.
	Filxhani i madh për një shërbim	80 ml mesatarisht.

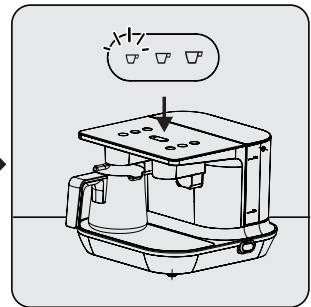
2 Përdorimi



Vendos rezervuarin e zierjes *(15) në sipërfaqen nxehtë të dhomës së majtë (14). Shtyp butonin për zierje të kafes në dhomëzën e majtë për 1 shërbime (4).



Pasi procesi i pompimit të ujit të ketë mbaruar, shtyp dhe mbaj shtypur butonin e njëjtë për 3 sekonda për të mbaruar procesin e bërjes së kafes dhe shter ujin brenda rezervuarit (15) në filxhan.

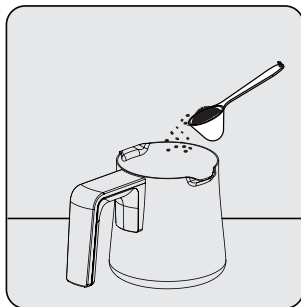


Nëse sasia e ujit të cilin e keni derdhur në filxhan është pak ose shumë, shtyp butonin për rregullimin e madhësisë së filxhanit për ta rregulluar në madh-sinë e vogël, mesme ose madhe (9). Ju mund ta shtypni butonin për përshtatjen e madhësisë së filxhanit (9) për të ndërruar mes nivelit. Pasi LED e madhësisë së dëshiruar të filxhanit të kyçet, mbaro procesin.

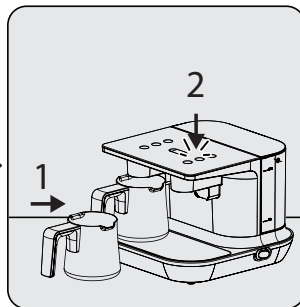


LED e madhësisë së filxhanit do të paraqet nivelin në të cilin është vendosur produkti. Përsërit procesin për përshtatjen e sasisë së ujit kur ndërroni madhësinë e filxhanit. Përsërit procesin e përshtatjes së sasisë së ujit kur ndërroni madhësinë e filxhanit.

2.2 Zierja ose bërja e kafes

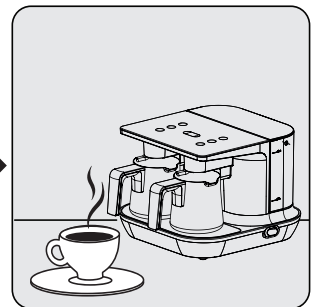


Vendos sasinë e dëshiruar të kafes dhe sheqerit (deri 3 shërbime) në rezervuarin përzierjen e kafes (15).



Vendos rezervuarin e kafes (15) në fole-në e saj. Shtyp pak butonin që gjendet në dhomëzën ku keni vendosur rezervuarin e kafes (15) dhe i cili tregon numrin e shërbimeve bazuar mbi sasinë e kafes që keni shtuar.

-Kyçja ose ndezja e butonit të zgjedhur do të jetë me ngjyrë të bardhë.



Pasi procesi i zierjes së kafes të mbaroj, do të dëgjoni një audio-lajmërim dhe LED e butonit relevant të kafes do të flakëron në të bardhë. Pasi LED të bëhet e bardhë e zbehtë, tërhiq pak rezervuarin për zierje të kafes (15) për të larguar atë dhe derdhni kafën në filxhanit tuaj.

2 Përdorimi



PARALAJMËRIM:

- Bëni kujdes të mos e ndotni sipërfaqen e nxehtë (13-14). Nëse të kullon kafe në sipërfaqen e nxehtë, pastroni atë me një leckë të njomë para se të thahet.
- Mos përdor rezervuarin e kafes në asnjë pajisje tjetër për gatim përveç në Makinën për Kafe. (Sipërfaqja për gatim, etj.)
- Pajisja nuk do të ndizet derisa ta vendosni rezervuarin (15) e zierjes në follenë tij.
- Plotësisht fusni rezervuarin në follenë e tij në pozitë pingul. Ndryshe pajisja juaj nuk do të funksionoj.



- Koha e gatimit është 1-1,5 min. për 1 person., 1,5-2,5 min. për 2 persona dhe 2-3,5 min. për 3 persona.
- Për një kafe të shijshme, largoni rezervuarin (15) nga foleja duke mos pritur!
- Dërdhni kafën menjëherë për të evituar shkumën dhe ciftat të mos mbeten në rezervuarin (15).
- Nëse dëshironi të anuloni procesin e zierjes së kafes për ndonjë arsye, shtyp dhe mbani butonin lëshues të zgjedhur për kafe për 3 sekonda.

2.3 Sasirat

Kjo është pajisje e lehtë për përdorim për Kafe turke. Mund bëni kafe turke me shkumë sipas shijeve tuaja duke përdorur sasinë në tabelë. Sasinë e mëposhtme janë dhënë vetëm për qëllime informacioni. Mund t'i rregulloni ato sipas shijeve tuaja personale.

- Shto kafe të mjaftueshme për një, dy ose tre persona duke përdorur lugën matëse, sasinë e duhur të sheqerit dhe sasinë e duhur të ujit për madhësinë tuaj të filxhanit (madhësia e rekomanduar e filxhanit është 65 ml) në rezervuarin për zierjen e kafes.
- Këto sasira janë vetëm për filxhanin mesatar vetëm për një shërbim. Ju mund të përdorni lugën matëse që u jepet bashkë me produktin për të matur sasinë e kafes. Për një kafe me shkumë, të shijshme, përdor kafe të bluar imë të përshtatshme për kafe turke.

Sasinë e rekomanduara të përbërësve për të përgatitur kafe

	Pa sheqer	Me më pak sheqer	Me sasi mesatare të sheqerit	E ëmbël
Kafe	1 masë	1 masë	1 masë	1 masë
Sheqer	-	1/2 kub sheqer/1/2 lugë çaji të sheqerit të granular	1 kub sheqer/1 lugë çaji të sheqerit të granular	2 kub sheqer/2 lugë çaji të sheqerit të granular

Sasinë e mëposhtme janë vetëm për një person.

Ju mund të përgatisni 3 shërbime të kafes maksimalisht me një rezervuar të vetëm.

Ju rekomandojmë të përdorni sheqer formë kubi që më lehtë e përshtatni sasinë e sheqerit.

2 Përdorimi

2.4 Metoda e gjumit

Nëse nuk bëhet asnjë veprim me pajisjen për 3 minuta, ajo do të lëshojë një tingull paralajmërues (biip) dhe do të kalojë në metodën në pritje. Nëse e shtyp butonin për bërje të kafes ose butonin për përshtatje të madhësisë së filxhanit, do të dëgjohet një paralajmërim audio dhe pajisja do të del nga regjimi i gjumit.

2.5 Njoftimet

Produkti është gati për të bërë kafe

LED i madhësisë së zgjedhur të filxhanit është vazhdimisht i bardhë. LED-et e butonit lëshues për zierje të kafes nuk janë me ngjyrë të bardhë të zbehur.

Bërja e kafes

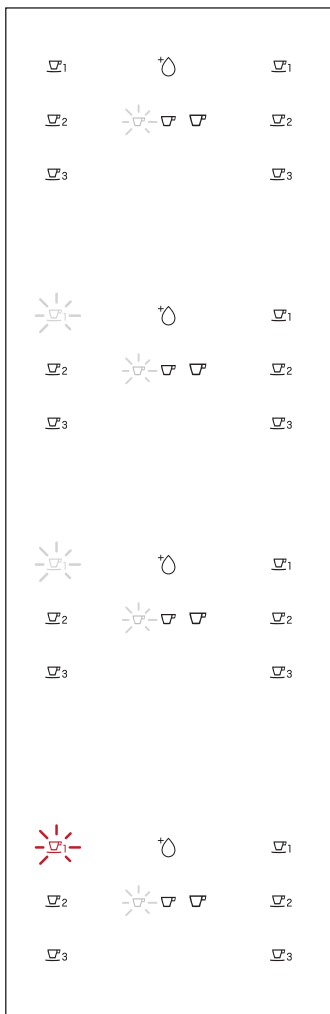
LED i këtij butoni të zgjedhur për kafe vazhdimisht është i bardhë.

Procesi i bërjes së kafesë ka mbaruar.

LED i këtij butoni të zgjedhur për kafe vazhdimisht është i bardhë.

Gabim me tejkalimin e nivelit.

LED i butonit të zgjedhur për lëshimin e bërjes së kafes shfaqen në të kuqe



Ju lutem prisni

Mos largoni rezervuarin e kafes.

Largoni rezervuarin e kafes, dhe derdhni kafën në filxhan para shërbimit.

Shkyc produktin. Largo rezervuarin e kafes nga foleja e tij. Përdor një leckë të lagur për të pastruar rezervuarin e kafes, sipërfaqen e nxehtë (sigurohuni që sipërfaqja për nxehtë është e ftohtë) dhe qelqin me sensor. Mund ta kycni produktin sërish për të lëshuar një proces tjetër të bërjes së kafes. Kontaktoni agjentin e autorizuar për shërbime nëse gabime paraqitet sërish.

2 Përdorimi

Gabim mbarim kohe

1 LED i butonit të zgjedhur për lëshimin e bërjes së kafes shfaqen në të kuqe



Shkyç produktin. Largo rezervuarin e kafes nga foleja e tij. Përdor një leckë të lagur për të pastruar rezervuarin e kafes, sipërfaqen e nxehtë (sigurohuni që sipërfaqja për nxehtë është e ftohtë) dhe qelqin me sensor. Mund ta kyçni produktin sërish për të lëshuar një proces tjetër të bërjes së kafes. Kontaktoni agjentin e autorizuar për shërbime nëse gabime paraqitet sërish.

Gabim me zierjen e kafes -1

LED-et e butonit për lëshimin e zierjes së kafes për dhomëzën relevante janë sinjalizojnë në ngjyrë të kuqe.



Shkyç produktin. Largo rezervuarin e kafes nga foleja e tij. Përdor një leckë të lagur për të pastruar rezervuarin e kafes, sipërfaqen e nxehtë (sigurohuni që sipërfaqja për nxehtë është e ftohtë) dhe qelqin me sensor. Mund ta kyçni produktin sërish për të lëshuar një proces tjetër të bërjes së kafes. Kontaktoni agjentin e autorizuar për shërbime nëse gabime paraqitet sërish.

Gabim me zierjen e afes -2

LED-et e të gjithë butonave lëshuese për zierjen kafes vazhdimisht janë në të kuqe



Shkyç produktin. Largo rezervuarin e kafes nga foleja e tij. Përdor një leckë të lagur për të pastruar rezervuarin e kafes, sipërfaqen e nxehtë (sigurohuni që sipërfaqja për nxehtë është e ftohtë) dhe qelqin me sensor. Mund ta kyçni produktin sërish për të lëshuar një proces tjetër të bërjes së kafes. Kontaktoni agjentin e autorizuar për shërbime nëse gabime paraqitet sërish.

S'ka ujë

LED i indikatorit të ujit vazhdimisht është në të kuqe



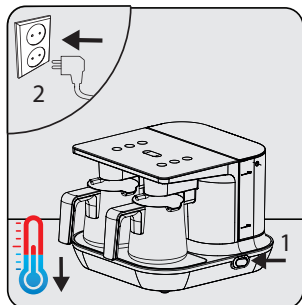
Mbush rezervuarin e ujit deri në nivelin maksimal. (Kur nuk ka ujë, butoni për lëshimin e kafes do të shkyçet dhe përdoruesi nuk mund të bëjë asnjë zgjedhje).

3 Pastrimi dhe kujdesi

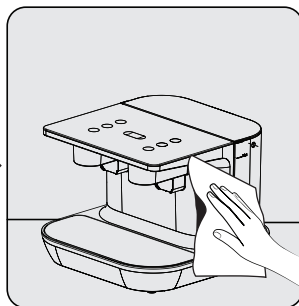
3.1 Pastrimi

PARALAJMËRIM:

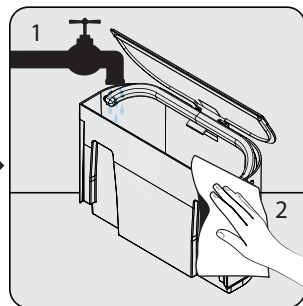
- Pasi pajisja do të jetë e nxehtë gjatë bërjes së kafes, ju lutemi prisni deri sa të ftohet dhe mund ta pastroni pastaj.
- Asnjëherë mos përdorni benzinë, hollues, agjentë pastrimi gërryes, objekte metalike ose furça të forta për ta pastruar pajisjen.
- Asnjëherë mos e zhytni pajisjen ose kabllin e energjisë në ujë apo ndonjë lëng tjetër.
- Përdori një leckë të thatë për të pastruar pikat që shfaqen në qelqin sensor (16-17) pas disa cikleve vijuese të zierjes së kafes.
- Mos e pastroni rezervuarin e kafes (15) në pjatlarëse.



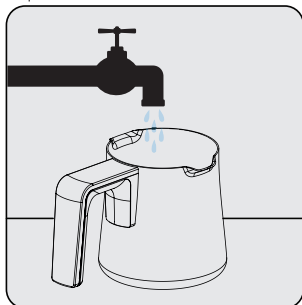
Kyç butonin On/Off (12) të pajisjes në pozitën Off (0). Hiqeni pajisjen nga priza. Lejoni që të ftohet.



Përdor një leckë të lagur dhe një sasi të vogël të lëngut për pastrim për të pastruar sipërfaqen e jashtme të pajisjes.



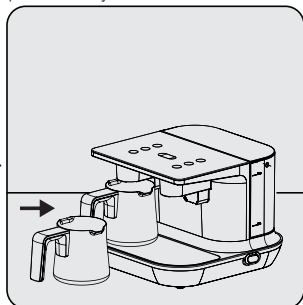
Largoni rezervuarin e ujit (10) të pajisjes. Pastrojeni me ujë të pijshëm me pak lëng pastrimi. Thajeni dhe ri-instaloni.



Pastroni rezervuarin e kafes me dorë.



Pastaj, lëreni të thahet.



Pas tharjes, ri-instaloni rezervuarin e kafes.

3 Pastrimi dhe kujdesi

3.1.2 Largimi i smërçit

Për të pastruar njollat (depozite) që mund të paraqiten në rezervuarin e kafes duke mos e dëmtuar sipërfaqen bazë të brendshme, shtoni një lugë ëmbëlsirash me kristale të acidit citrik në rezervuar dhe shtoni ujë të nxehtë, kështu që uji të mbush 1/3 të rezervuarit. Prisni 10 minuta. Në fund të procesit të pritjes, ju mund ta shpërlani rezervuarin për kafe (15) dhe ta përdorni të njëjtin.



PARALAJMËRIM: Nëse nuk e bëni procesin e largimit të smërçit për një kohë të gjatë, baza e rezervuarit të ujit të pajisjes do të mbulohet me gëlqere dhe nuk do të funksionoj.

3.2 Magazinimi

- Nëse nuk keni ndërmend ta përdorni pajisjen për një kohë të gjatë, ruajeni atë me kujdes.
- Sigurohuni që pajisja të jetë hequr nga priza, të jetë ftohur dhe të plotësisht e thatë.
- Mbajeni pajisjen në një vend të freskët dhe të thatë.
- Mbajeni pajisjen dhe kabllin e energjisë larg fëmijëve.

3.3 Lëvizja dhe transporti

- Gjatë lëvizjes dhe transportit, mbajeni pajisjen në paketimin e saj origjinal. Paketimi i pajisjes e mbron atë nga dëmtimet fizike.
- Mos vendosni pesha të rënda mbi pajisje ose mbi paketim. Pajisja mund të dëmtohet.
- Rrëzimi i pajisjes mund ta bëjë atë jofunksionale ose të shkaktojë dëmtime të pariparueshme.

4 Vetitë teknologjike të pajisje



Sistemi për përzjerje automatike që mundëson që kafja të jetë me shumë dhe me konsistencë ideale.



Teknologjia që bën të mundur bërjen e kafes me konsistencë më të mirë.



Sistemi plotësues i sigurisë eliminon nevojën për mbikëqyrje të kafes gjatë procesit të zierjes.

5 Para se të ta thërrisni agjentin e autorizuar të shërbimit



Më parë kontrolloni nëse pajisja është e lidhur në prizë apo jo.



Kontrolloni nëse ka çarje ose dëmtime në kabëll.



Kontrolloni nëse ka mjaft ujë në rezervuar dhe nëse është e montuar ose jo.



Pastro qelqin për detektimin e nivelit.

Първо прочетете настоящото ръководство!

Уважаеми клиенти,

Благодарим Ви, че избрахте този уред на Веко. Надяваме се да получите отлични резултати от нашия уред, произведен от висококачествени материали по най-модерна технология. Затова, преди да преминете към употребата на уреда, Ви молим първо да прочетете цялото ръководство за употреба, както и другата придружителна документация и да ги запазите за справка в бъдеще. Ако уредът смени собственика си в бъдеще, то предайте и ръководството за употреба заедно с уреда. Следвайте указанията, като обръщате внимание на цялата информация и предупреждения в инструкцията за употреба.

Значение на символите

В различните раздели на ръководството са използвани следните символи:



Важна информация и полезни съвети при употреба.



ПРЕДУПРЕЖДЕНИЕ:

Предупреждения срещу опасни ситуации относно здравето и собствеността.



Подходящ за контакт с храна.



Предупреждение за опасност от токов удар.



Функционално заземяване



Защитен клас за токов удар.



Този продукт е произведен в екологични, съвременни съоръжения.

1. Контролен панел
2. Ляво отделение, бутон за стартиране на направата на 3 кафета
3. Ляво отделение, бутон за стартиране на направата на 2 кафета
4. Ляво отделение, бутон за стартиране на направата на 1 кафе
5. Светодиод на индикатора за вода
6. Дясно отделение, бутон за стартиране на направата на 1 кафе
7. Дясно отделение, бутон за стартиране на направата на 2 кафета
8. Дясно отделение, бутон за стартиране на направата на 3 кафета
9. Малка-средна-голяма - бутони за регулиране на размера на чашата
10. Резервоар за вода (1,5 л)
11. Захранващ кабел
12. Бутон „Вкл./Изкл.“
13. Нагряваща повърхност на дясно отделение
14. Нагряваща повърхност на ляво отделение
15. Кани за кафе - 2 бр.
16. Сензор за отчитане на направата на кафе в дясно отделение
17. Сензор за отчитане на направата на кафе в ляво отделение
18. Мерителни лъжички за кафе

Технически данни

Мощност: Обща номинална консумирана
мощност: 1100 W

Консумирана мощност за индукционно нагряване:
2 X 525 W = 1050 W

Напрежение: 220-240 V AC ~, 50-60 Hz

Клас на електрическа изолация: II



Правото на технически модификации и промени в дизайна е запазено.

Стойностите са дадени върху фиксираните към уреда обозначения или в други печатни документи, които се доставят с него. Те представляват стойности, които са получени в лабораторни условия според определените стандарти. Тези стойности може да варират съобразно употребата на уреда и условията в средата.

Важни инструкции за безопасност и опазване на околната среда

Този раздел съдържа инструкции за безопасност, които ще ви помогнат да се защитите от риск от нараняване или повреди на собствеността.

Неспазването на инструкциите прави всички видове гаранции невалидни.

1.1 Обща безопасност

- Този продукт съответства на международните стандарти за безопасност.
- Не използвайте уреда навън и в банята.
- Не се допуска отговорност или гаранционни искове за щети, настъпили вследствие на неправилна употреба или неправилна работа с уреда.
- Никога не се опитвайте да разглобите или разделите монтажните части на уреда.
- Използвайте само оригинални части или такива, препоръчани от производителя.
- Използвайте уреда само върху стабилна, равна, чиста, суха и нехлъзгава повърхност.
- Не поставяйте вещества, различни от кафе и захар, в каната за кафе.
- Не пийте приготвеното турско кафе от каната за кафе.
- Машината за турско кафе е проектирана да работи при температура 4-37°C и относителна влажност 80%.
- Поради производствената технология е възможно образуване на пара и миризма в нагриващия елемент на уреда при първото му използване. Това е нормално. Този проблем ще изчезне след няколко цикъла.
- **ПРЕДУПРЕЖДЕНИЕ:** Не местете уреда и не махайте каната за кафе, докато правите кафе.
- Не местете уреда, докато е все още горещ или когато в каната за кафе има още течност.
- Каната за кафе и нагриващите повърхности стават горещи по време на употреба. Затова не докосвайте нагриващата повърхност или каната по време на употреба или след това (докато не се охладят).

Важни инструкции за безопасност и опазване на околната среда

- **ПРЕДУПРЕЖДЕНИЕ:** Възможно е върху каната да има гореща пара, докато правите кафе. Избягвайте контакт с тези места, за да се предпазите от ефектите на горещата пара.
- Избягвайте контакт с горещите повърхности и дръжте каната само за дръжката.
- Преди преместване, уредът трябва да бъде изключен.
- Основата (черната стъклена повърхност), върху която се поставя каната за кафе, става гореща по време на работа. Затова не докосвайте това място по време на употреба и преди уредът да се охлади.
- Уредът трябва да бъде свързан с битова дефектнотокова защита с номинална мощност не повече от 30 mA за допълнителна безопасност.
- Използвайте уреда само със заземен контакт.
- Ако захранващият кабел е повреден, незабавно спрете да използвате уреда, за да предотвратите всякакви опасности, и го сменете чрез производителя, сервизен представител или друго квалифицирано лице.
- Не използвайте уреда, ако самият уред или част от него е повредена. Свържете се с оторизирания сервиз.
- Не използвайте уреда с удължител.
- Не потапяйте уреда, захранващия кабел или щепсел във вода или други течности.
- Не пипайте уреда или щепсела с мокри или влажни ръце.
- Разположете уреда по такъв начин, че щепселът винаги да е достъпен.
- За да избегнете риска от повреда на захранващия кабел, внимавайте да не го притискате, огъвате или търкате в остри ръбове. Дръжте захранващия кабел далеч от нагорещени повърхности и открит пламък.

Важни инструкции за безопасност и опазване на околната среда

- Уверете се, че няма никаква опасност кабелът случайно да се измъкне или някой да се спъне в него при ползването на уреда.
- Изключете уреда от контакта преди почистване и никога не го почиствайте по време на употреба.
- Не дърпайте захранващия кабел на уреда, за да го извадите от контакта и не увивайте кабела около уреда.
- Проверете дали данните за местното електрозахранване отговарят на информацията върху табелката с данни.
- Не използвайте уреда в или в близост до места, където има избухливи или възпламеними материали.
- Не използвайте уреда в близост до източници на топлина (котлони, скари, нагреватели, фурни и др.).
- Дръжте уреда далече от източници на пара и избягвайте използване в среди с наличие на прекомерно количество пара.
- Не използвайте каната за кафе с друг нагревател (котлон и др.), различен от уреда.
- Не поставяйте нищо (чаши, кани за кафе и др.) върху уреда.
- Уредът не е подходящ за употреба с търговски цели. Той е предназначен само за битова употреба на места като:
 - магазини, офиси и кухни за лично ползване в други работни среди;
 - ферми;
 - от клиенти в хотели, мотели и други места за жилищно настаняване;
 - места за нощувка и закуска.
- Този уред може да се използва само за приготвяне на кафе.
- Трябва да сте особено предпазливи ако използвате уреда в близост до деца или лица с понижени физически, сензорни или умствени способности.

- Уредът може да бъде използван от деца на 8 години или по-големи, и от лица с физически, сетивни или ментални увреждания, които не са работили досега с уреда и не го познават добре, стига те да се наблюдават или да са разбрали как да го използва безопасно, и какви са опасностите, свързани с уреда. Децата не трябва да играят с уреда.
- Процедурите за почистване и потребителска поддръжка не трябва да се извършват от деца над 8 години, освен ако не са наблюдавани от възрастно лице.
- Ако запазите опаковъчните материали, пазете ги на безопасно място от деца.
- Пазете уреда далеч от деца на възраст под 8 години.
- Наблюдавайте децата, за да се уверите, че не си играят с уреда.
- Този продукт включва само свързване с функционално заземяване.
- Ако използвате пейсмейкър, консултирайте се с производителя, преди да използвате уреда.
- Изпълнявайте процедурите по почистване и поддръжка в съответствие с раздел „Почистване и поддръжка“ в настоящото ръководство.
- **ПРЕДУПРЕЖДЕНИЕ:** В случай на повреда (пукнатина, счупено и др.) на повърхността за приготвяне на кафе, незабавно изключете уреда от захранването, не го използвайте, за да предотвратите токов удар и се свържете с оторизирания сервиз.
- Не пълнете резервоара за вода с други вещества (като мляко, мляко на прах) освен вода.
- Не преминавайте маркировката за максимално напълване на резервоара за вода.
- Когато правите кафе, не разбърквайте кафето с лъжица или с друг предмет и не се намесвайте в процеса.

Важни инструкции за безопасност и опазване на околната среда

- Не оставяйте метални предмети (като прибори) върху горещи повърхности на машината за кафе, тъй като тези предмети ще се нагряят.
- Не използвайте уредите с външен таймер или система за дистанционно управление.
- Уредът не може да се вгражда и не е предназначен за ползване в шкафове. Не поставяйте машината за кафе в шкаф, докато работи.

1.2 Съответствие с Директива WEEE и изхвърляне на отпадъчните продукти



Този продукт не съдържа вредни или забранени материали, посочени в „Регламента за надзор на излезли от употреба електрически и електронни уреди“, издаден от Министерството на околната среда и градското планиране. Уредът съответства на регламента за отпадъци от електрическо и електронно оборудване (WEEE). Този продукт е произведен с висококачествени части и материали, които могат да бъдат рециклирани и повторно използвани. Затова, в края на оперативния му живот, не изхвърляйте уреда с битовите и останалите отпадъци. Занесете го в събирателен пункт за рециклиране на електрически и електронни уреди. Свържете се с местните органи за пунктовете за събиране във Вашия район. Помогнете за опазването на околната среда и природните ресурси чрез рециклиране на употребяваните продукти.

1.3 Информация за опаковката



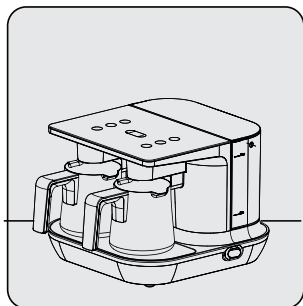
Опаковката на продукта е изготвена от подлежащи на рециклиране материали, в съответствие с националното ни законодателство. Не изхвърляйте опаковъчните материали при битовите или другите отпадъци. Отнесете ги в център за събиране на опаковъчни материали, посочен от местните власти.

2 Употреба

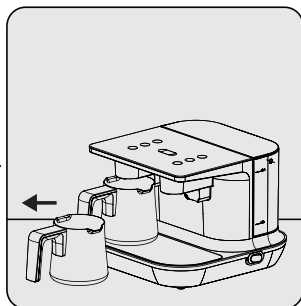
2.1 Първоначална употреба

i Прочитайте го целото упатство за употреба пред да го употребявате производот.

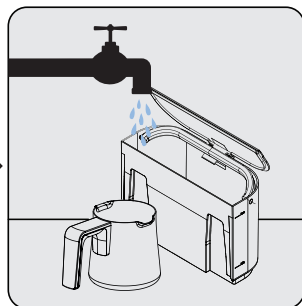
Уверете се, че уредът е изправен и балансиран върху равна, чиста и суха повърхност, която не е хлъзгава.



Поставете продукта във вертикално положение върху равна, чиста и суха повърхност.



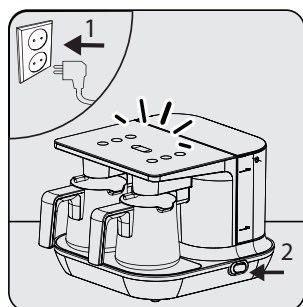
Леко издърпайте каната за кафе (15) от мястото ѝ.



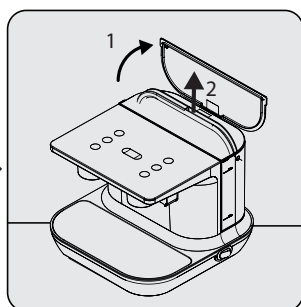
Измийте резервоара за вода (10) и каната за кафе (15) на ръка и ги подсушете.

i За да постигнете отличен вкус на кафето, се уверете, че вътрешността на каната за кафе (15) е суха и чиста.

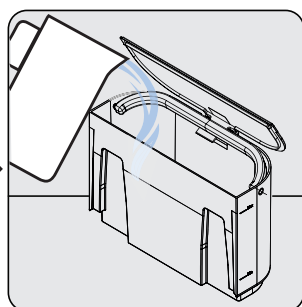
i Уверете се, че под каната за кафе (15) няма капки вода, когато приготвяте кафе. В противен случай ще чуете дразнещ шум, когато капките вода са в контакт с горещата основа.



Пъхнете щепсела (11) в контакта. Натиснете бутона за вкл./изкл. (12) на позиция Оп (I) (вкл.)
- Всички бутони на контролния панел (1) ще светнат в бяло.



Отворете капака на резервоара за вода. Докато държите дръжката, леко го издърпайте, за да го извадите.

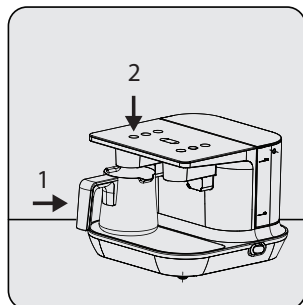


Напълнете резервоара за вода (10) до ниво между минималното и максималното допустимо. Затворете капака отново и го поставете на място.

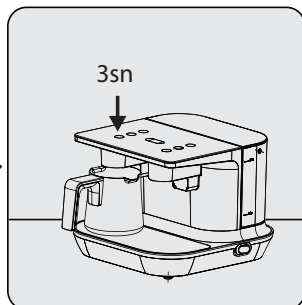
2 Употреба

i Ако желаете, можете да напълните резервоара за вода (10) и без да го изваждате напълно. Повторете същата процедура след като уредът покаже предупреждение за изчерпано количество вода (5).

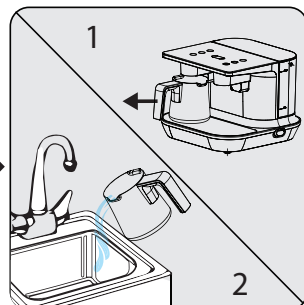
За да напълните системата за вода и за изпомпване с вода и за да обезвъздушите системата:



Поставете каната за кафе в нагряващата повърхност (14) на лявото отделение. Натиснете бутона за приготвяне на 3 кафета на лявото отделение (2).



След като процесът на изпомпване на вода приключи, натиснете и задръжте същия бутон за 3 секунди, за да спрете процеса на приготвяне на кафе.






Вземете каната за кафе (15) и излейте водата в него в мивката.

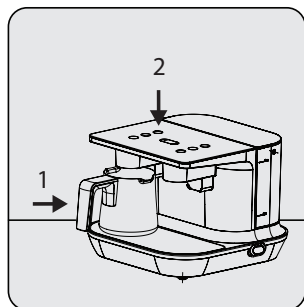
i Така се гарантира правилно функциониране на помпата на уреда.

! **ПРЕДУПРЕЖДЕНИЕ:** Повторете този процес и след като извадите/поставите резервоара за вода от/на мястото му и преди приготвяне на кафе.

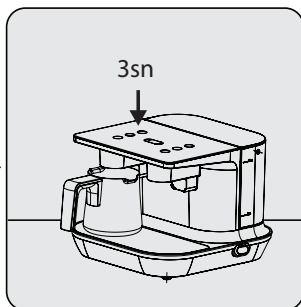
За да регулирате количеството вода според размера на чашата:

	Малка чаша за едно кафе	средно 60 мл
	Средна чаша за едно кафе	средно 70 мл
	Голяма чаша за едно кафе	средно 80 мл

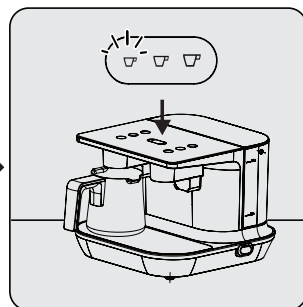
2 Употреба



Поставете каната за кафе (15) в нагриващата повърхност (14) на лявото отделение. Натиснете бутона за приготвяне на 1 кафе на лявото отделение (4).



След като процесът на изпомпване на вода приключи, натиснете и задръжте същия бутон за 3 секунди, за да спрете процеса на приготвяне на кафе, и излейте водата в каната (15) във Вашата чаша.

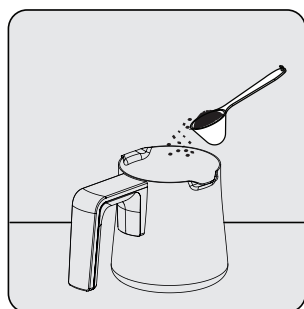


Ако водата, която сте излези в чашата си, е прекалено малко или прекалено много, натиснете бутона за регулиране на размера на чашата, за да го настроите за малка, средна или голяма чаша (9). Можете да натиснете бутона за регулиране на размера на чашата за регулиране на нивата. След като светодиодът на желания размер чаша светне, прекратете процеса.

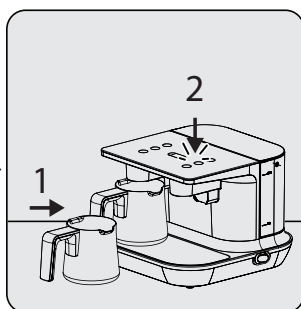


Светодиодът за размер на чашата ще покаже нивото, за което е настроен продуктът. Повторете процеса за регулиране на количеството вода при смяна на размера на чашата. Повторете процеса за регулиране на количеството вода при смяна на размера на чашата.

2.2 Приготвяне на кафе

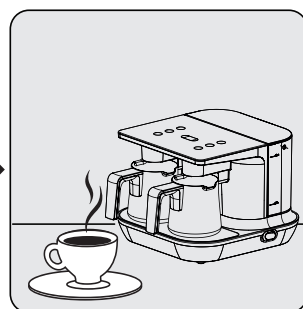


Поставете желаното количество кафе и захар (до 3 кафета) в каната за кафе (15).



Поставете каната за кафе (15) на мястото ѝ. Леко натиснете бутона върху отделението, където сте поставили каната за кафе (15) и което показва броя кафета въз основа на количеството кафе, което сте добавили.

- Светлината на избрания бутон ще светне в бяло.



След като процесът на приготвяне на кафе завърши, ще чуете звуков сигнал и светодиодът на съответния бутон за приготвяне на кафе ще премигне в бяло. След като светодиодът стане в приглушен бял цвят, леко дръпнете каната за кафе (15), за да я извадите, и излейте кафето в чашата си.

2 Употреба

ПРЕДУПРЕЖДЕНИЕ:



- Внимавайте да не зацапате нагриващата се повърхност (13-14). Ако излеете кафе върху нагриващата се повърхност, избършете го с леко навлажнена кърпа, преди да изсъхне.
- Не използвайте каната за кафе върху други кухненски уреди, различни от машината за кафе. (котлони и др.)
- Уредът няма да стартира, освен ако не поставите каната за кафе (15) правилно в гнездото ѝ.
- Вкарайте обратно докрай каната в гнездото ѝ в изправено положение. В противен случай уредът няма да работи.



- Времето за приготвяне на кафе е 1-1,5 мин. за 1 човек, 1,5-2,5 минути за 2 души и 2-3,5 мин. за 3 души.
- За кафе с отличен вкус, извадете каната за кафе (15) от гнездото ѝ, без да изчаквате!
- Излейте кафето бързо, за да предотвратите оставането на пяна и смляно кафе в каната за кафе (15).
- Ако желаете да отмените процеса на приготвяне на кафе поради някаква причина, натиснете и задръжте избрания бутон за стартиране на приготвяне на кафе за 3 секунди.

2.3 Количества

Този уред е лесен за използване и е предназначен за приготвяне на турско кафе. Можете да пригответе турско кафе с пяна по свой вкус като използвате количествата, посочени в таблицата. Следните количества са предоставени само с информационна цел. Можете да ги регулирате според личните си вкусове.

- В каната за кафе, с помощта на мерителната лъжичка, се добавя достатъчно кафе за едно, две или три кафета, желаното количество захар и необходимото количество вода за размера на Вашата чаша (препоръчително е чашата да бъде с вместимост 65 мл).
- Тези количества са за средна чаша за едно кафе. Можете да използвате мерителната лъжичка, включена към продукта, за да измерите количеството кафе. За кафе с пяна и отличен вкус използвайте фино смляно кафе, подходящо за приготвянето на турско кафе.

Препоръчани количества на съставките за приготвяне на кафе

	Без захар	С малко захар	Със средно количество захар	Сладко
Кафе	1 доза	1 доза	1 доза	1 доза
Захар	-	1/2 бучка захар / 1/2 чаена лъжичка кристална захар	1 бучка захар / 1 чаена лъжичка кристална захар	2 бучки захар / 2 чаени лъжички кристална захар

*Тези количества са за едно кафе.

*В една кана можете да пригответе максимум 3 кафета.

* Препоръчваме да използвате бучки захар, за да можете лесно да регулирате количеството захар.

2 Употреба

2.4 Спящ режим

Ако не правите нищо с уреда в продължение на 3 минути, той ще издаде звуково предупреждение (сигнал) и ще премине към режим на готовност. Ако натиснете бутона за стартиране на приготвяне на кафе или бутона за регулиране на размера на чашата, ще чуете звуков сигнал и уредът ще излезе от спящия режим.

2.5 Известия

Уредът е готов за приготвяне на кафе

Светодиодът на избрания размер чаша е постоянно включен и свети в бяло. Светодиодите на бутона за стартиране на приготвяне на кафе светят в приглушен бял цвят.

Приготвяне на кафе

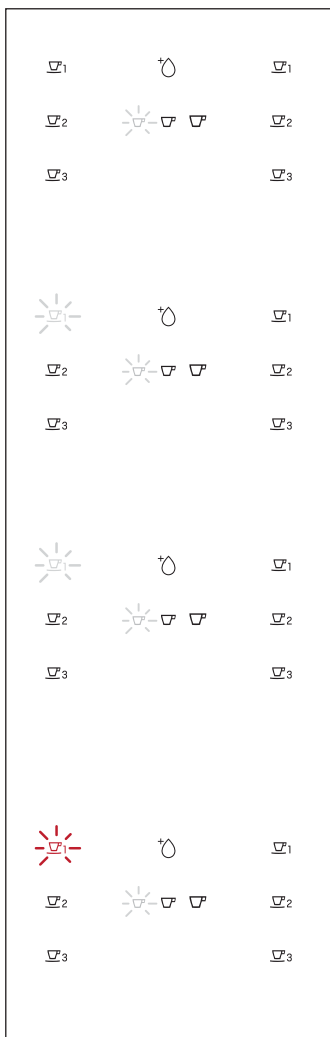
Светодиодът на избрания бутон за стартиране на приготвянето на кафе е постоянно включен и свети в бяло.

Процесът на приготвяне на кафе е приключил

Светодиодът на избрания бутон за стартиране на приготвянето на кафе премигва в бяло.

Грешка при надхвърляне на нивото

Светодиодът на избрания бутон за стартиране на приготвянето на кафе премигва в червено.



Моля, изчакайте

Не изваждайте каната за кафе.

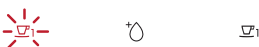
Извадете каната за кафе и излейте кафето в чашата преди сервиране.

Изключете уреда. Извадете каната за кафе от гнездото ѝ. Използвайте влажна кърпа, за да почистите основата на каната за кафе, нагриващата се повърхност (уверете се, че нагриващата се повърхност е студена) и стъклото на сензора. Можете да включите уреда отново, за да започнете отново да приготвяте кафе. Свържете се с упълномощен сервизен агент, ако грешката се повтори.

2 Употреба

Грешка - време на изчакване

Светодиодът на избрания бутон за стартиране на приготвянето на кафе е постоянно включен в червено



▽₂



▽₂

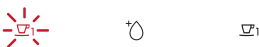
▽₃

▽₃

Изключете уреда. Извадете каната за кафе от гнездото ѝ. Използвайте влажна кърпа, за да почистите основата на каната за кафе, нагряващата се повърхност (уверете се, че нагряващата се повърхност е студена) и стъклото на сензора. Можете да включите уреда отново, за да започнете отново да приготвяте кафе. Свържете се с упълномощен сервизен агент, ако грешката се повтори.

Грешка при приготвяне на кафе 1

Светодиодите за стартиране на приготвянето на кафе за съответното отделение премигват в червено



▽₁



▽₂

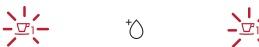


▽₃

Изключете уреда. Извадете каната за кафе от гнездото ѝ. Използвайте влажна кърпа, за да почистите основата на каната за кафе, нагряващата се повърхност (уверете се, че нагряващата се повърхност е студена) и стъклото на сензора. Можете да включите уреда отново, за да започнете отново да приготвяте кафе. Свържете се с упълномощен сервизен агент, ако грешката се повтори.

Грешка при приготвяне на кафе 2

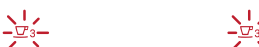
Светодиодите на всички бутони за стартиране на приготвянето на кафе светят постоянно в червено



▽₁



▽₂



▽₃

Изключете уреда. Извадете каната за кафе от гнездото ѝ. Използвайте влажна кърпа, за да почистите основата на каната за кафе, нагряващата се повърхност (уверете се, че нагряващата се повърхност е студена) и стъклото на сензора. Можете да включите уреда отново, за да започнете отново да приготвяте кафе. Свържете се с упълномощен сервизен агент, ако грешката се повтори.

Няма вода

Светодиодът на индикатора за вода свети постоянно в червено

▽₁



▽₁

▽₂



▽₂

▽₃

▽₃

Напълнете резервоара за вода до максималното ниво. (Ако не е останала вода, бутоните за стартиране на приготвянето на кафе ще се изключат и потребителят няма да може да направи никакъв избор).

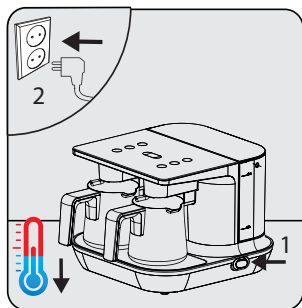
3 Почистване и поддръжка

3.1 Почистване

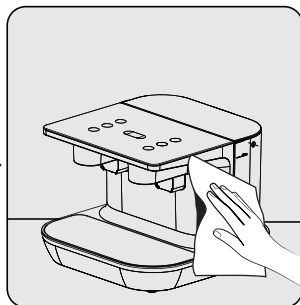
ПРЕДУПРЕЖДЕНИЕ:



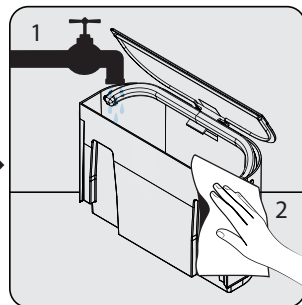
- Тъй като уредът ще бъде горещ по време на приготвяне на кафе, моля, изчакайте, докато се охлади, ако желаете да го почистите след това.
- Никога не използвайте бензин, разтворител, абразивен почистващ препарат, метални предмети и твърди четки за почистване на уреда.
- Никога не потапяйте уреда и кабела му във вода или друга течност.
- Използвайте суха кърпа за забърсване на капките вода, които се появяват на стъклото на сензора (16-17) след последователни цикли на приготвяне на кафе.
- Не мийте каната за кафе (15) в съдомиялна машина.



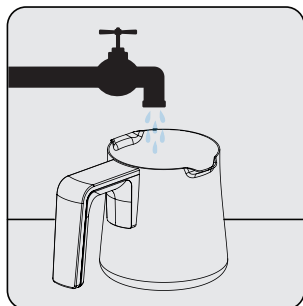
Натиснете бутона за вкл./изкл. (12) на уреда на позиция Off (0) (изкл.). Изключете уреда от електрическата мрежа. Изчакайте да се охлади.



Използвайте влажна кърпа и малко количество измивен препарат, за да почистите външната повърхност на уреда.



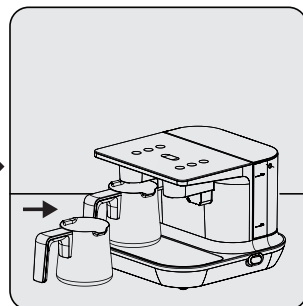
Извадете резервоара за вода (10) от уреда. Измийте го под течаща вода с малко измивен препарат. След това го подсушете и го поставете на мястото му.



Измийте каната за кафе на ръка.



След това я подсушете.



След подсушаване на каната за кафе, я поставете на мястото ѝ.

3 Почистване и поддръжка

3.1.2 Премахване на варовик

За да почистите петната (отлаганията), които могат да се появят в каната за кафе с времето, без да повредите вътрешната повърхност на основата, изсипете една чаена лъжичка лимонена киселина на кристали в каната за кафе и налейте вряла вода до 1/3 от вместимостта на каната. Изчакайте 10 минути. След това можете да изплакнете каната за кафе (15) и отново да я използвате.



ПРЕДУПРЕЖДЕНИЕ: Ако дълго време не извършите процеса за премахване на варовик, основата на резервоара за вода на уреда ще се покрие с варовик и той ще стане неизползваем.

3.2 Съхранение

- Ако не възнамерявате да използвате уреда за продължителен период от време, го съхранете внимателно.
- Моля, уверете се, че уредът е изключен от контакта, охладен и напълно сух.
- Съхранявайте уреда на хладно и сухо място.
- Пазете уреда и захранващия му кабел далеч от обсега на деца.

3.3 Пренасяне и транспортиране

- По време на пренасяне и транспортиране, поставете уреда в неговата оригинална опаковка. Опаковката на уреда го предпазва от физически повреди.
- Не поставяйте тежки товари върху уреда или върху неговата опаковка. Уредът може да се повреди.
- Изпускането на уреда може да причини спиране на работата му или да доведе до трайна повреда.

4 Технологични характеристики на уреда



Автоматична система за разбъркване, която гарантира кафе с пiana и идеална консистенция



Технология, която позволява приготвяне на кафе с най-добра консистенция.



Допълнителна система за безопасност, която елиминира необходимостта да наблюдавате, докато кафето се приготвя.

5 Преди да се обадите на оторизирания сервизен агент



Първо, проверете дали уредът е включен в контакта или не.



Проверете дали има скъсване или повреда на кабела.



Проверете дали има достатъчно вода в резервоара за вода и дали той е поставен на място или не.



Почистете стъклото за отчитане на нивото.

نظام التقلب التلقائي الذي يضمن إعداد كوب من القهوة يتميز برغوة، مع استمرار ذلك بشكل مثالي



التكنولوجيا التي تتيح إمكانية إعداد القهوة بأفضل اتساق.



يعمل نظام الأمان الإضافي على تجنب الحاجة إلى مراقبة عملية إعداد القهوة أثناء إعدادها



أولاً، تأكد أن الجهاز إما مفصول عن الكهرباء أو متصل بها.



تحقق مما إذا كانت هناك أي فواصل أو أضرار في الكبل.



تحقق مما إذا كان مستوى الماء الموجود داخل خزان الماء كافيًا، وما إذا كان قد تم تركيبه في مكانه من عدمه.



قم بتنظيف زجاج اكتشاف المستوى.



3.1.2 إزالة الترسبات

لتنظيف البقع (الترسبات) التي قد تظهر في وعاء إعداد القهوة بمرور الوقت بدون إتلاف سطح القاعدة الداخلي، صب مقدار ملعقة حلوى من بلورات حمض الستريك داخل وعاء إعداد القهوة، وصب الماء المغلي عليه، وذلك حتى يملأ الماء مقدار 1/3 من الوعاء. انتظر لمدة 10 دقائق. في نهاية فترة الانتظار، يمكنك شطف وعاء إعداد القهوة (15) وإعادة استخدامه مرة أخرى.

تحذير: إذا لم تتم بتنفيذ عملية إزالة الترسبات لمدة طويلة، فإن قاعدة خزان المياه الخاصة بالجهاز ستتم تغطيتها بالليمون وتصبح غير قادرة على التشغيل.



3.2 التخزين

- إذا لم تكن تنوي استخدام الجهاز لمدة طويلة، فقم بتخزينه بعناية.
- الرجاء التأكد من أن الجهاز مَفصُول عن الكهرباء، وبارد، وجاف بالكامل.
- قم بتخزين الجهاز في مكان بارد وجاف.
- احرص على إبعاد الجهاز وكبل التيار الخاص به عن متناول الأطفال.

3.3 التعامل والنقل

- أثناء عمليات التعامل والنقل، قم بحمل الجهاز في مكونات التغليف الأصلي. تساعد تعبئة الجهاز على حمايته من الأضرار المادية.
- لا تضع أحمالاً ثقيلة على الجهاز، أو على التغليف. قد يتعرض الجهاز لتلفيات.
- قد يؤدي إسقاط الجهاز إلى تعرّضه لضرر غير تشغيلي، أو ضرر مستمر.

3.1 التنظيف

تحذير: نظرًا لأن الجهاز يكون ساخنًا أثناء عملية إعداد القهوة، فالرجاء الانتظار حتى يبرد إذا كنت ترغب في تنظيفه بعد ذلك.



تحذير: لا تستخدم مطلقًا البنزين، أو سائلًا مطهرًا، أو عوامل التنظيف الكاشطة، أو الأشياء المعدنية، أو الفرش الصلبة لتنظيف الجهاز.



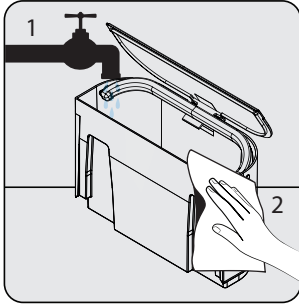
تحذير: لا تعمر الجهاز، أو كبل التيار الخاص به مطلقًا في الماء أو أي سائل آخر.



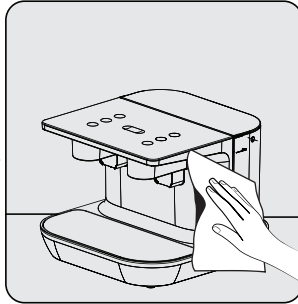
تحذير: استخدم قطعة قماش جافة لمسح نقاط الماء المتساقطة التي قد تظهر على زجاج المستشعر (16 - 17) بعد دورات التفكيك في إعداد القهوة.



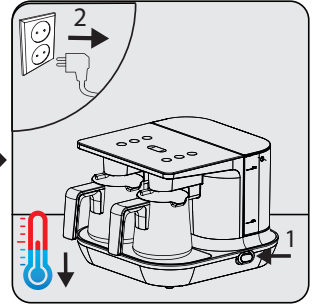
تحذير: لا تغسل وعاء إعداد القهوة (15) داخل غسالة الأطباق.



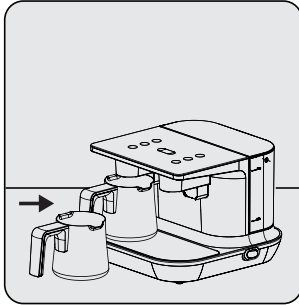
أخرج خزان المياه (10) من الجهاز. اغسله تحت الماء الجاري باستخدام قدر قليل من سائل الغسيل. ثم جفّفه وأعد تركيبه.



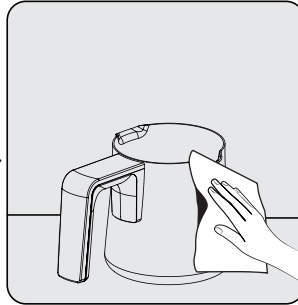
استخدم قطعة قماش رطبة، وقدرًا قليلًا من سائل الغسيل لتنظيف السطح الخارجي من الجهاز.



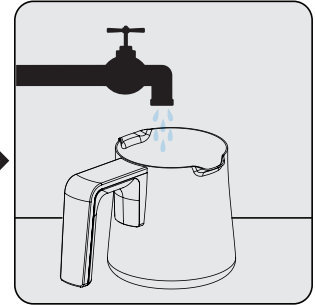
اضبط زر التشغيل/إيقاف التشغيل (12) الخاص بالجهاز في وضع إيقاف التشغيل (0). افصل الجهاز عن الكهرباء. اتركه حتى يبرد.



بعد تجفيف وعاء إعداد القهوة أعد تركيبه في الجهاز.



ثم جفّفه.



اغسل وعاء إعداد القهوة بيدك.

خطأ في المهلة الزمنية

يضيء مصباح LED للزر المحدد الخاص ببدء إعداد القهوة إضاءة ثابتة باللون الأحمر



☐1

☐2



☐2

☐3

☐3

أوقف تشغيل المنتج. أخرج وعاء إعداد القهوة من القاعدة الخاصة به. استخدم قطعة قماش رطبة لتنظيف قاعدة وعاء إعداد القهوة، وسطح التسخين (تأكد من أن سطح التسخين بارد)، وزجاج المستشعر. يمكنك تشغيل المنتج مرة أخرى لبدء عملية أخرى لإعداد القهوة. اتصل بوكيل الخدمة المعتمد في حالة حدوث العطل مرة أخرى.

خطأ في إعداد القهوة 1

مصباح LED الخاصة بالزر بخصوص بدء إعداد القهوة للتجوير المناسب تومض بلون أحمر



☐1



☐2



☐3

أوقف تشغيل المنتج. أخرج وعاء إعداد القهوة من القاعدة الخاصة به. استخدم قطعة قماش رطبة لتنظيف قاعدة وعاء إعداد القهوة، وسطح التسخين (تأكد من أن سطح التسخين بارد)، وزجاج المستشعر. يمكنك تشغيل المنتج مرة أخرى لبدء عملية أخرى لإعداد القهوة. اتصل بوكيل الخدمة المعتمد في حالة حدوث العطل مرة أخرى.

خطأ في إعداد القهوة 2

تضيء جميع مصابيح LED الخاصة بأزرار بدء إعداد القهوة بشكل مستمر بلون أحمر



☐1



☐2



☐3

أوقف تشغيل المنتج. أخرج وعاء إعداد القهوة من القاعدة الخاصة به. استخدم قطعة قماش رطبة لتنظيف قاعدة وعاء إعداد القهوة، وسطح التسخين (تأكد من أن سطح التسخين بارد)، وزجاج المستشعر. يمكنك تشغيل المنتج مرة أخرى لبدء عملية أخرى لإعداد القهوة. اتصل بوكيل الخدمة المعتمد في حالة حدوث العطل مرة أخرى.

لا يوجد ماء

يضيء مصباح LED الخاص بمؤشر الماء بشكل مستمر باللون الأحمر

☐1



☐1

☐2



☐2

☐3

☐3

املأ خزان الماء بالماء إلى علامة المستوى الأقصى. (عندما لا يتبقى ماء في الجهاز، فستتطفئ إضاءة أزرار إعداد القهوة ولن يستطيع المستخدم إجراء أي تحديد).

2.4 وضع النوم

إذا لم تكن قد استعملت الجهاز لإعداد أي شيء لمدة 3 دقائق، فسيصدر صوت تحذيري (نين) وسينتقل إلى وضع الاستعداد. إذا ضغطت على زر بدء إعداد القهوة أو زر ضبط حجم الكوب، فسيصدر صوت تحذيري مسموع وسيخرج الجهاز من وضع السكون.

2.5 الإشعارات

المنتج جاهز لعمل القهوة

يضيء مصباح LED الخاصة بالحجم المحدد للقهوة بشكل مستمر باللون الأبيض. تظهر مصابيح LED الخاصة بزر بدء إعداد القهوة بلون أبيض باهت.

يُرجى الانتظار

لا تقم بإزالة وعاء إعداد القهوة.

تمت عملية إعداد القهوة

يومض مصباح LED الخاص بزر بدء إعداد القهوة بشكل مستمر بلون أبيض.

خطأ في تجاوز المستوى

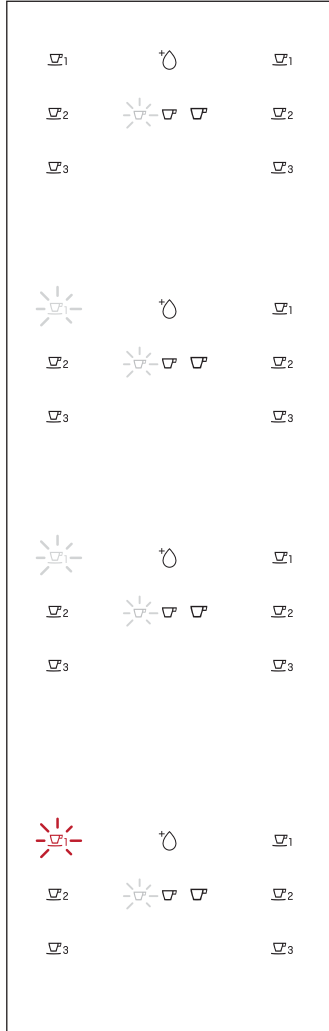
يومض مصباح LED للزر المحدد الخاص ببدء إعداد القهوة بلون أحمر

إعداد القهوة

يضيء مصباح LED الخاص بزر بدء إعداد القهوة بشكل مستمر بلون أبيض.

قم بإزالة وعاء إعداد القهوة، وصب القهوة داخل الكوب قبل تقديمها.

أوقف تشغيل المنتج. أخرج وعاء إعداد القهوة من القاعدة الخاصة به. استخدم قطعة قماش رطبة لتنظيف قاعدة وعاء إعداد القهوة، وسطح التسخين (تأكد من أن سطح التسخين بارد)، وزجاج المستشعر. يمكنك تشغيل المنتج مرة أخرى لبدء عملية أخرى لإعداد القهوة، اتصل بوكيل الخدمة المعتمد في حالة حدوث العطل مرة أخرى.



تحذير: لا يبدأ الجهاز ما لم تتم بوضع وعاء إعداد القهوة (15) بطريقة صحيحة في مكانه.



تحذير: أعد إدخال الوعاء بالكامل في مكانه في وضع صاعد. وإلا، فلن يبدأ تشغيل جهازك.



تستغرق عملية إعداد القهوة ما بين 1 - 1.5 دقيقة لكل شخص، وما بين 1.5 - 2.5 دقيقة لشخصين، وما بين 2 - 3.5 دقائق لكل 3 أشخاص.



للاستمتاع بقهوة ذات مذاق رائع، خذ وعاء إعداد القهوة (15) من القاعدة الخاصة بها بدون انتظار!



قم بصب القهوة بسرعة لكي تُحوّل دون بقاء رغوة وثقل القهوة في وعاء إعداد القهوة (15).



إذا كنت ترغب في إلغاء عملية إعداد القهوة لأي سبب، فاضغط مع الاستمرار على زر بدء إعداد القهوة لمدة 3 ثوانٍ.



2.3 مقادير

هذا الجهاز يتميز بسهولة استخدامه لإعداد القهوة التركية. يمكنك تحضير قهوة تركية ذات رغوة مميزة تناسب أذواقك، وذلك باستخدام الكميات المذكورة في الجدول. الكميات التالية مذكورة فقط لأغراض معرفية. يمكنك ضبط تلك الكميات حسب أذواقك الخاصة.

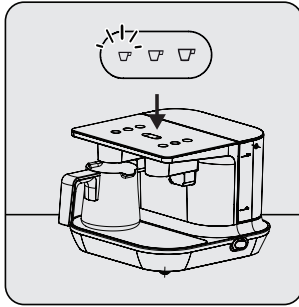
- قم بإضافة قدر كافٍ من القهوة حسب متطلبات شخص، أو شخصين، أو ثلاثة باستخدام ملعقة قياس، والقدر المطلوب من السكر، والمقدار المطلوب من الماء حسب حجم الكوب لديك (موصى أن يكون حجم الكوب 65 مل) في وعاء إعداد القهوة.
- هذه المكونات مخصصة لعمل كوب من القهوة بحجم متوسط الحجم. يمكنك استخدام ملعقة القياس المتوفرة مع المنتج لقياس مقدار القهوة. للحصول على قهوة ذات رغوة، وطيبة المذاق، استخدم قهوة جيدة الطحن وطازجة بما يناسب عملية إعداد القهوة التركية.

الكميات الموصى بها من المكونات اللازمة لإعداد القهوة				
الحلوى	مع إضافة مقدار متوسط من السكر	مع إضافة قدر بسيط من السكر	خالية من السكر	
1 مكيال	1 مكيال	1 مكيال	1 مكيال	القهوة
مكعبان من السكر/ملعقتا شاي من السكر المطحون	مكعب واحد من السكر/ملعقة قهوة من السكر المطحون	مقدار 1/2 كوب من السكر 1/2 ملعقة شاي من السكر المطحون	-	السكر

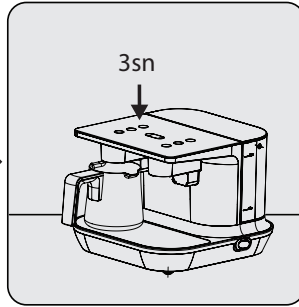
* هذه المقادير مخصصة لعمل كوب قهوة واحد.

* يمكنك إعداد 3 أكواب قهوة في وعاء فردي بحد أقصى.

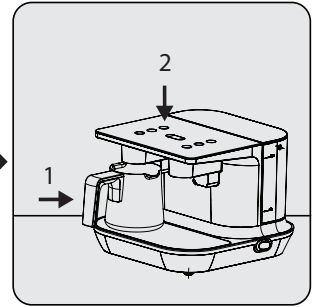
* نحن نوصي بأن تستخدم مكعبات السكر لضبط حجم السكر بسهولة.



إذا كان حجم الماء الذي قمت بصبه داخل الكوب قليلاً للغاية أو كبيراً للغاية، فاضغط على زر ضبط حجم الكوب لكي تضبطه على مقياس صغير، أو متوسط، أو كبير (9). يمكنك الضغط على زر ضبط حجم الكوب (9) للتبديل بين المستويات. بمجرد ظهور ضوء مصباح LED الخاص بضبط حجم الكوب، قم بإنهاء العملية.

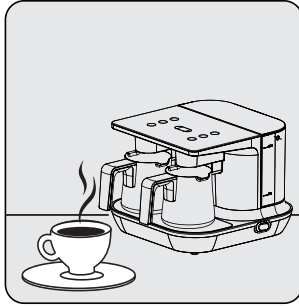


بمجرد انتهاء عملية ضخ المياه، اضغط معدل الاستمرار على نفس الزر لمدة 3 ثوانٍ لإنهاء عملية إعداد القهوة، وتصريف الماء الموجود بداخل وعاء إعداد القهوة (15) في الكوب الخاص بك.

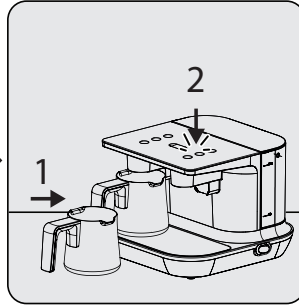


ضع وعاء إعداد القهوة (15) داخل سطح التسخين بالتجفيف الأيسر. اضغط على زر إعداد القهوة بالتجفيف الأيسر لإعداد كوب واحد من القهوة (4).

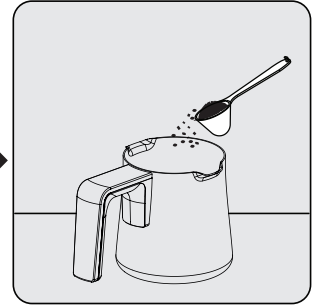
i يضيء مصباح LED الخاص بتحديد حجم الكوب لكي يوضح المستوى الذي تم ضبط المنتج عليه. كرر عملية ضبط كمية الماء عند تغيير حجم الكوب. كرر عملية ضبط كمية الماء عند تغيير حجم الكوب.



بمجرد انتهاء عملية إعداد القهوة، يصدر تحذير صوتي. كما يومض مصباح LED خاص بزر إعداد القهوة باللون الأبيض. بمجرد تحول لون مصباح LED إلى الأبيض الباهت، اسحب برقي وعاء إعداد القهوة (15) لإخراجه، وقم بصب القهوة داخل الكوب الخاص بك.



ضع وعاء إعداد القهوة (15) داخل الفتحة المخصصة له. اضغط برقي على الزر الموجود في التجويف، في المكان الذي وضعت وعاء إعداد القهوة فيه (15) والذي يوضح عدد الأكواب المطلوب إعدادها من القهوة، وذلك حسب مقدار القهوة التي قمت بإضافتها. - يضيء مصباح الزر المحدد باللون الأبيض.



ضع القدر المطلوب من القهوة والسكر (حتى 3 أكواب) داخل وعاء إعداد القهوة (15).

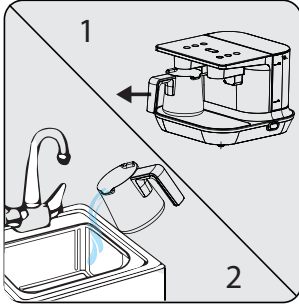
تحذير: انتبه حتى لا تلوّث سطح التسخين بالبقع (13 - 14). إذا سقطت قطرات من القهوة على سطح التسخين، فامسحها بقطعة قماش مبللة قليلاً قبل تجفيفها.



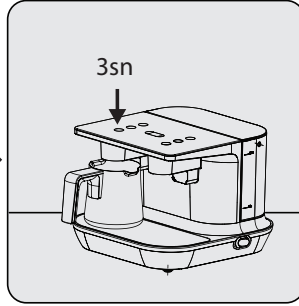
تحذير: لا تستخدم وعاء إعداد القهوة داخل أي جهاز طبخ آخر غير "ماكينة إعداد القهوة"! (سطح تسخين، إلخ)



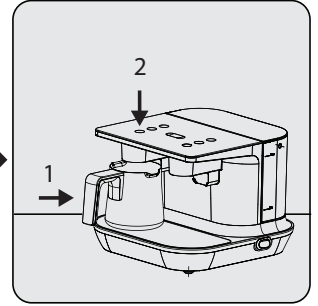
لكي تملأ المضخة، ونظام الماء بالمياه، وإخراج الهواء من النظام:



خذ وعاء إعداد القهوة (15) وقم بتصريف المياه الموجودة بداخله في الحوض.



بمجرد انتهاء عملية ضخ المياه، اضغط مع الاستمرار على نفس الرز لمدة 3 ثوانٍ حتى انتهاء عملية إعداد القهوة.



ضع وعاء إعداد القهوة داخل سطح التسخين بالتجويف الأسفل (14)، اضغط على زر إعداد القهوة بالتجويف الأسفل لإعداد 3 أكواب من القهوة (2).

بهذه الطريقة، فإنك تضمن التشغيل الصحيح للمضخة الموجودة داخل الجهاز.



تحذير: كرر هذه العملية بعد إخراج/وضع خزان المياه من/داخل مكانه، وقبل تخمر القهوة.



ضبط مقدار الماء حسب حجم الكوب:

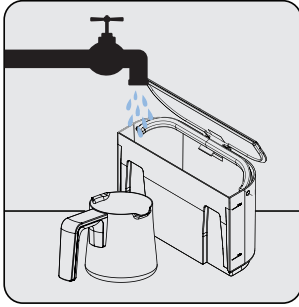
60 مل في المتوسط.	كوب صغير لعمل كوب قهوة واحد	☕
70 مل في المتوسط.	كوب متوسط لعمل كوب قهوة واحد	☕
80 مل في المتوسط.	كوب كبير لعمل كوب قهوة واحد	☕

2.1 الاستخدام الأولي

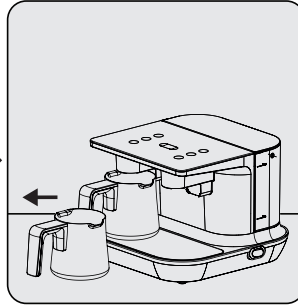
اقرأ دليل المستخدم بالكامل قبل استخدام المنتج.



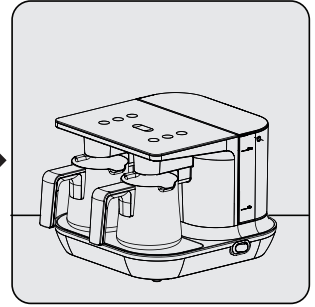
تأكد أن الجهاز في وضع مستقيم، وامتزن على سطح مستوي، ونظيف، وجاف، ولا يسمح بانزلاق الأشياء.



املأ خزان الماء (10) ووعاء إعداد القهوة (15) باليد ثم جففهما.



اسحب وعاء إعداد القهوة (15) قليلاً إلى خارج الفتحة الخاصة به.

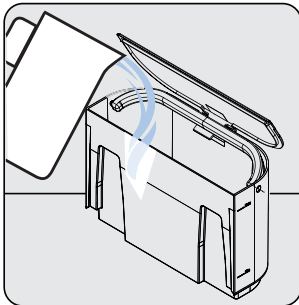


ضع المنتج في وضع رأسي صاعد على سطح مستوي، ونظيف، وجاف.

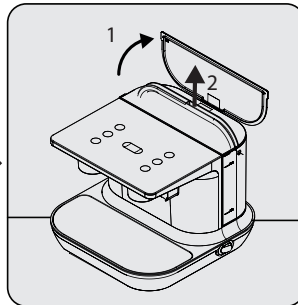
الحصول على قهوة ذات مذاق جيد، تأكد من أن الجزء الداخلي من وعاء إعداد القهوة (15) جاف ونظيف.



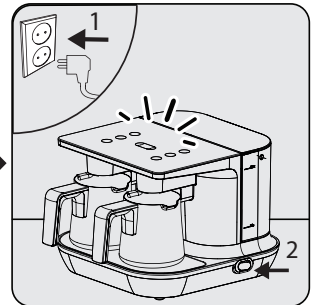
تأكد من عدم تساقط المياه أسفل وعاء إعداد القهوة (15) أثناء تحضير القهوة. وإلا، فقد يتم سماع صوت ضجيج مزعج عند ملامسة المياه المتساقطة للقاعدة الساخنة.



املأ خزان الماء (10) حتى مستوى بين المستويات القصوى والدنيا، أغلق الغطاء مرة أخرى، ثم أعد تركيبه.



افتح غطاء خزان الماء، مع إمساك المقبض، اسحب الغطاء لأعلى ببطء لإخراجه.



أدخل القابس (11) في مقبس التيار الكهربائي بالحائط. اضبط زر التشغيل/ إيقاف التشغيل (12) في الوضع On (التشغيل) (1).
- جميع الأزرار الموجودة في لوحة التحكم (1) يتحولونها إلى الأبيض.

إذا كنت ترغب، فيمكنك أيضاً ملء خزان المياه (10) بدون إخراجه بالكامل. كرر نفس العملية بعد صدور تحذير من الجهاز يفيد بوجود تسرب للمياه (5).



1.2 الالتزام بتوجيه WEEE والتخلص من المنتجات المستهلكة

هذا المنتج لا يشمل مواد مؤذية أو محظورة من تلك المشار إليها في "تشريعات الإشراف على النفايات الكهربائية والأجهزة الإلكترونية" الصادرة من وزارة البيئة والتخطيط العمراني، ملتزم بتوجيه WEEE. تم إعداد هذا المنتج من أجزاء ومواد فائقة الجودة يمكن إعادة تدويرها واستخدامها. لذا لا تُلقى المنتج بعيداً ضمن النفايات المنزلية، أو أي نفايات أخرى بعد انتهاء عمره الافتراضي. انقل الجهاز إلى أقرب نقطة تجميع للنفايات لإعادة تدوير الأجهزة الكهربائية والإلكترونية. اتصل بالسلطات المحلية لمعرفة نقاط تجميع النفايات الموجودة في منطقتك. ساعد على حماية البيئة، والموارد الطبيعية من خلال إعادة تدوير المنتجات المستهلكة.



1.3 معلومات التعبئة

<485/> يتم تصنيع مواد تغليف المنتج من مواد قابلة لإعادة التدوير وفق القواعد المحلية لدينا. لا تتخلص من مواد التغليف ضمن النفايات المنزلية، أو أي فضلات أخرى. خذ مواد التغليف هذه إلى نقاط تجميع مواد التغليف المحددة من قِبل السلطات المحلية.



- تحذير: إذا حدث تلف (شرخ أو كسر وما شابه ذلك) لسطح صنع القهوة، قم على الفور بفصل المنتج عن مأخذ التيار الكهربائي ولا تستخدمه لتجنب الإصابة بصدمة كهربائية واتصل بوكيل الخدمة المعتمد.
- لا تقم بتعبئة خزان الماء بأية مواد أخرى خلاف الماء (كالحليب، مسحوق الحليب).
- ولا تتجاوز علامة حد المستوى الأقصى الموضحة على خزان الماء.
- عند إعداد القهوة، تجنب قلب القهوة بمعلقة أو أي جسم آخر وتجنب التدخل في عملية إعداد القهوة.
- لا تترك الأشياء المعدنية (مثل أدوات المائدة) على الأسطح الساخنة في الأماكن المخصصة لصنع القهوة لأن هذه الأشياء تصبح ساخنة.
- لا تستخدم الأجهزة مع مؤقت خارجي أو نظام تحكم عن بُعد خارجي.
- لا يمكن استخدام هذا الجهاز للتطبيقات المدمجة وهو غير مخصص للاستخدام بداخل الخزانات. لا تضع جهاز إعداد القهوة في خزانة أثناء تشغيله.
- يجوز استخدام هذا الجهاز من طرف الأطفال في عمر 8 أو أكثر والأفراد ذوي الإعاقة البدنية، أو السمعية، أو الذهنية، أو غير المتمرسين أو الذين ليس لديهم معرفة بهذا الجهاز طالما أنهم يخضعوا للرقابة أو يتم إبلاغهم وإفهامهم بالاستخدام الآمن للجهاز والمخاطر التي قد يواجهونها. لا ينبغي على الأطفال اللعب بالجهاز.
- لا ينبغي تنفيذ إجراءات التنظيف والصيانة الخاصة بالمستخدم بواسطة أطفال تقل أعمارهم عن 8 سنوات ما لم يكونوا تحت إشراف من قبل شخص أكبر سنًا.
- إذا كنت تحتفظ بمواد التغليف، فأبقها بعيدة عن الأطفال.
- احرص على إبعاد الجهاز عن الوصول إلى أيدي الأطفال ممن تقل أعمارهم عن 8 سنوات.
- احرص على الإشراف على الأطفال لضمان عدم لعبهم بالجهاز.
- يحتوي هذا المنتج على وصلة تأريض فعالة فقط.
- إذا كنت تستخدم منظم ضربات، فاستشر الشركة المصنعة قبل استخدام الجهاز.
- قم بتنفيذ إجراءات التنظيف والعناية باتباع التعليمات الواردة في القسم «التنظيف والعناية» في هذا الدليل.

- في حالة تلف كبل إمداد الطاقة، توقف عن استخدام الجهاز على الفور، وذلك لكي تحوّل دون التعرض لأي خطر، واستبدل المنتج التالف بواسطة الشركة المصنعة، أو وكيل الخدمة، أو فني مؤهل.
- ولا تستخدم الجهاز في حالة تلف الجهاز أو جزء من أجزائه. اتصل بالخدمة المعتمدة.
- لا تستخدم الجهاز على كابل تمديد خارجي.
- لا تغمر الجهاز أو كابل الطاقة أو قابس الطاقة في المياه أو في أي سوائل أخرى.
- لا تلمس الجهاز، أو القابس الخاص به ويديك مبتلتان أو رطبتان.
- ضع الجهاز بطريقة يسهل من خلالها الوصول للقابس.
- قم بحماية كابل الطاقة من التلف وذلك بعدم الضغط عليه أو ثنيه أو حكه بالحواف الحادة. حافظ على كابل الطاقة بعيداً عن الأسطح الساخنة وألسنة اللهب.
- تأكد من عدم وجود خطر سحب كابل الطاقة مصادفة أو عدم إمكانية تعثر أحد به عندما يكون الجهاز قيد الاستخدام.
- انزع قابس الجهاز قبل تنظيفه، ولا تحاول تنظيفه مطلقاً عندما يكون قيد الاستخدام.
- لا تسحب كابل الطاقة الخاص بالجهاز لفصله عن مخرج التيار، ولا تقم بلف كابل الطاقة الخاص به حول الجهاز.
- ينبغي أن يتوافق مصدر إمداد الطاقة للموصلات الرئيسية خاصتك مع المعلومات المقدمة على لوحة تصنيف الجهاز.
- لا تستخدم الجهاز في أو بالقرب من الأماكن التي يوجد بها أماكن أو مواد قابلة للاحتراق أو سريعة الاشتعال.
- لا تستخدم الجهاز بجانب أو بالقرب من مصادر الحرارة (سطح تسخين، شواية، قلب سخان، فرن، إلخ).
- أبقي الجهاز بعيداً عن مصادر البخار، وتجنب استخدامه في بيئات تحتوي على أبخرة كثيفة.
- لا تستخدم وعاء إعداد القهوة مع أي سخان آخر (سطح تسخين، إلخ) بعيداً عن الجهاز.
- لا تضع أي شيء (أكواباً، أوعية إعداد القهوة، إلخ) على الجهاز.
- هذا الجهاز غير مناسب للاستخدام التجاري. وهو مخصص للأغراض المنزلية في أماكن مثل:
 - المحال، والمكاتب، والمطابخ الخاصة في بيئات العمل الأخرى،
 - المنازل الريفية،
 - بواسطة العملاء في الفنادق، والموتيلات، وأماكن الإقامة الأخرى،
 - الأماكن المخصصة للنوم وتناول طعام الإفطار.
- يمكن استخدام هذا الجهاز لإعداد القهوة فقط.
- يوصى بتوخي بالغ الحذر عند استخدام الجهاز بالقرب من الأطفال، والأشخاص ذوي الإعاقة البدنية أو الحسية أو الذهنية.

- يحتوي هذا القسم على تعليمات السلامة التي تساعد على الحماية من التعرّض لخطر الإصابة الشخصية، أو إتلاف الممتلكات.
- يؤدي عدم الالتزام بهذه التعليمات إلى إبطال جميع أنواع الضمانات.

1.1 السلامة العامة

- يتوافق هذا الجهاز مع معايير السلامة الدولية.
- لا تستخدم الجهاز في الأماكن المفتوحة أو في الحمام.
- لا تتحمل الشركة المصنعة المسؤولية، ولا يحق المطالبة بالضمان في حالة حدوث أضرار بسبب سوء الاستخدام، أو التعامل بطريقة خاطئة مع الجهاز.
- لا تحاول مطلقاً فك، أو فصل الأجزاء المثبتة بالجهاز.
- استخدم فقط قطع غيار أصلية، أو قطع الغيار الموصى باستخدامها من قِبَل الشركة المصنعة.
- عليك دائماً استخدام الجهاز على سطح مستقر، ومستو، ونظيف، وجاف، وغير منزلق.
- يحظر وضع أي مواد أخرى سوى القهوة والسكر داخل وعاء إعداد القهوة.
- لا تشرب القهوة التركية التي يتم إعدادها من وعاء إعداد القهوة مباشرة.
- «ماكينة إعداد القهوة التركية» مصممة لكي تعمل على درجة حرارة 37-4 مئوية، وفي رطوبة بنسبة 80% كحد أقصى.
- نتيجة لتكنولوجيا التصنيع، فإن البخار والرائحة قد يتصاعدان من عنصر التسخين الخاص بالجهاز أثناء الاستخدام الأولي. هذا الأمر طبيعي. سيختفي ذلك بعد عدة مرات تشغيل.
- تحذير: عند إعداد القهوة، لا تحرك الجهاز ولا تخرج وعاء إعداد القهوة.
- لا تحرك الجهاز وهو ما يزال ساخناً، أو عندما يكون هناك سائل القهوة بداخل وعاء إعداد القهوة.
- ترتفع درجة حرارة وعاء إعداد القهوة وأسطح التسخين أثناء الاستخدام. ولهذا السبب، لا تلمس سطح إعداد القهوة أو وعاء إعداد القهوة أثناء الاستخدام أو بعده (حتى يبرد).
- تحذير: عند إعداد القهوة، قد يتصاعد بعض البخار الساخن فوق الوعاء. تجنب ملامسة هذه المناطق لكيلا تتعرض لآثار البخار الساخن.
- تجنب ملامسة الأسطح الساخنة، وأمسك الوعاء من المقبض فقط.
- تأكد من إيقاف تشغيل الجهاز قبل نقله.
- القاعدة (سطح زجاجي أسود) التي يتم وضع وعاء إعداد القهوة عليها ترتفع درجة حرارتها أثناء التشغيل. لذا، لا تلمس هذه المنطقة أثناء الاستخدام إلى أن يبرد الجهاز.
- ينبغي توصيل هذا الجهاز بمنصهر يتمتع بحماية من أعطال التيار بجهد 30 ميلي أمبير لمزيد من الحماية الإضافية.
- استخدم الجهاز مع تأريض القابس.

البيانات الفنية

الطاقة: طاقة الإدخال التقديرية الكلية 1100 وات

الطاقة المدخلة للتسخين بالحث الحراري: 2×525 وات = 1050 وات

الفولتية: 220-240 فولتية تيار متردد ~، 50-60 هرتز

فئة العزل الكهربائي: II



يتم الاحتفاظ بالتعديلات الفنية والتصميمات.

القيم المشار إليها في العلامات المثبتة على جهازك أو المستندات الأخرى المطبوعة المتوفرة معه تمثل القيم التي تم الحصول عليها في المختبرات وفقاً للمعايير ذات الصلة. قد تختلف هذه القيم وفقاً لاستخدام الجهاز وظروف المحيطة.

1. لوحة التحكم
2. التجويف الأيسر، زر بدء إعداد 3 أكواب من القهوة
3. التجويف الأيسر، زر بدء إعداد كوبين من القهوة
4. التجويف الأيسر، زر بدء إعداد كوب واحد من القهوة
5. مصباح المؤشر الخاص بالماء
6. التجويف الأيمن، زر بدء إعداد كوب واحد من القهوة
7. التجويف الأيمن، زر بدء إعداد كوبين من القهوة
8. التجويف الأيمن، زر بدء إعداد 3 أكواب من القهوة
9. أزرار ضبط حجم الأكواب - صغير - متوسط - كبير
10. خزان الماء (1.5 لتر)
11. كابل التيار الرئيسي
12. زر التشغيل/إيقاف التشغيل
13. سطح التسخين الخاص بالتجويف الأيمن
14. سطح التسخين الخاص بالتجويف الأيسر
15. أوعية إعداد القهوة - 2x
16. مستشعر اكتشاف إعداد القهوة بالتجويف الأيمن
17. مستشعر اكتشاف إعداد القهوة بالتجويف الأيسر
18. ملاعق قياس القهوة

معاني الرموز

يتم استخدام الرموز التالية في أقسام عديدة من هذا الدليل:

الرجاء قراءة هذا الدليل أولاً!

عزيزي العميل،

نشكرك على تفضيلك شراء جهاز Beko هذا. نحن نأمل في أن تحصل على أفضل النتائج من خلال استخدام جهازك الذي تم تصنيعه بجودة عالية وبأحدث التقنيات. ولهذا السبب، يُرجى قراءة دليل المستخدم هذا بالكامل، وجميع المستندات الأخرى المصاحبة له بعناية قبل استخدام الجهاز، والاحتفاظ به كدليل لاستخدامه في المستقبل. إذا سلمت الجهاز إلى شخص آخر، فيجب عليك إعطاؤه دليل المستخدم أيضاً. اتبع التعليمات من خلال الانتباه إلى جميع المعلومات والتحذيرات المذكورة في دليل المستخدم.

معلومات مهمة وتلميحات مفيدة تتعلق بالاستخدام.



تحذير: التحذيرات المهمة في المواقف المختلفة فيما يتعلق بسلامة الأفراد والممتلكات.



آمن للتعامل مع الطعام.



تحذير من التعرض لصدمة كهربية.



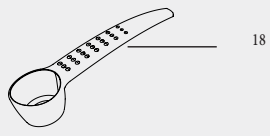
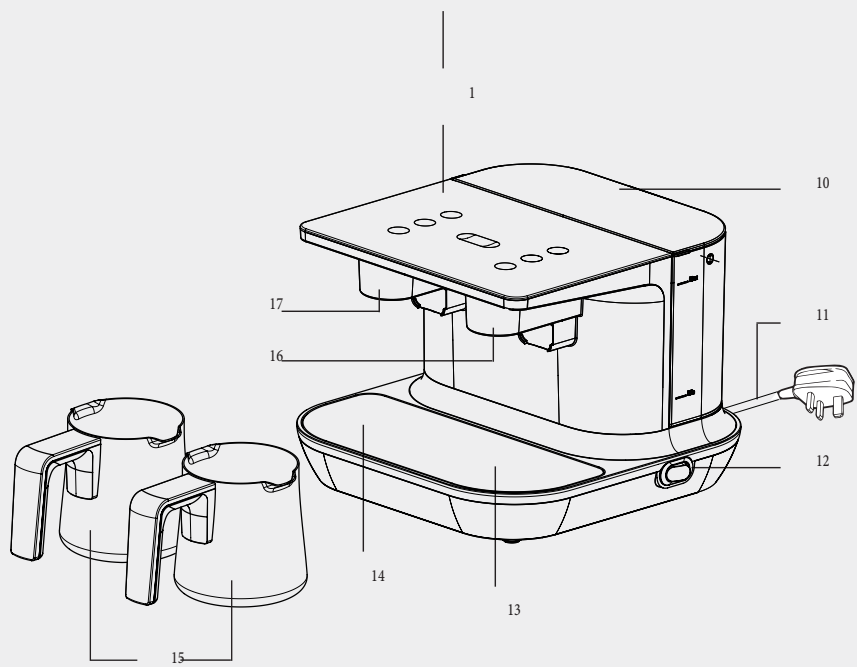
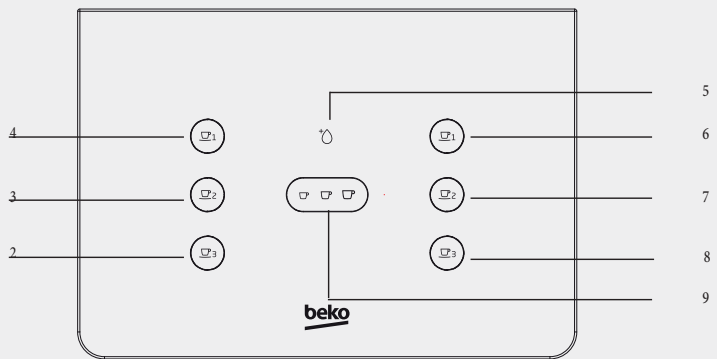
فئة الحماية من التعرض للصعق الكهربائي.



التأريض الفعال



تم إعداد هذا المنتج في مرافق حديثة وصديقة للبيئة



beko

ماكينة تصنيع القهوة التركية دليل المستخدم



TKM 8961 K
TKM 8961 S

TKM 8961 A
TKM 8961 B

EN / DE / TR / RO / SR / MK / HR / SQ / BQ / AR



01M-7489490100-1620-04
01M-7489490101-1620-04
01M-7489490102-1620-04

01M-7489490103-1620-04
01M-7489490104-1620-04
01M-7489490105-1620-04