

Microwave Oven

User Manual



MOC 201002 W

EN | RO

01M-8817173200-3719-02

beko





Please read this manual first!

Dear Customer,

Thank you for selecting a Beko product. We hope that you get the best results from your product which has been manufactured with high quality and state-of-the-art technology. Therefore, please read this entire user manual and all other accompanying documents carefully before using the product and keep it as a reference for future use. If you handover the product to someone else, give the user manual as well. Follow all warnings and information in the user manual.

Meanings of the symbols

Following symbols are used in the various section of this user manual:

	Important information and useful hints about usage.
	Warnings for dangerous situations concerning the safety of life and property.
	Warning for electric shock.
	Warning for hot surfaces.



This product has been manufactured in environmentally modern facilities.

This appliance conforms to the WEEE regulation.



This product does not contain PCB's.

CONTENTS

ENGLISH **4-16**

ROMANIAN **17-31**

Important Safety Instructions Read Carefully And Keep For Future Reference

This section contains safety instructions that will help protect from risk of fire, electric shock, exposure to leak microwave energy, personal injury or property damage. Failure to follow these instructions shall void any warranty.

1.1 General safety

- The microwave oven is intended for heating food and beverages. Drying of or clothing and heating of warming pads, slippers, sponges, damp cloth and similar may lead to risk of injury, ignition or fire.

This appliance is intended to be used in household and similar applications such as:

- Staff kitchen areas in shops, offices and other working environments;
- By clients in hotels, and other residential type environments;
- Bed and Breakfast type environments.

- Do not attempt to start the oven when its door is open; otherwise you may be exposed to harmful microwave energy. Safety locks should not be disabled or tampered with.
- Do not place any object between the front side and the door of the oven. Do not allow dirt or cleaning agent remnants to build up on the closure surfaces.
- Any service works involving removal of the cover that provides protection against exposure to microwave energy must be performed by authorized persons/service. Any other approach is dangerous.
- Your product is intended for cooking, heating and defrosting food at home.
- Do not use this appliance outdoors, in bathrooms or humid environments or in places where the it can get wet.
- No responsibility or warranty claim shall be assumed for damages arising from misuse or improper handling of the appliance.
- Never attempt to dismantle the appliance. No warranty claims are accepted for damage caused by improper handling.

1 Important safety and environmental instructions

- Only use the original parts or parts recommended by the manufacturer.
- Do not leave this appliance unattended while it is in use.
- Always use the appliance on a stable, flat, clean dry, and non-slip surface.
- Do not use with an external clock timer or separate remote control system.
- Before using the appliance for the first time, clean all parts. Please see the details given in the "Cleaning and Maintenance" section.
- Operate the appliance for its intended purpose only as described in this manual. Do not use abrasive chemicals or steam on this appliance. This oven is particularly intended for heating and cooking the food.
It is not intended for industrial or laboratory use.
- Do not use your appliance to dry clothes or kitchen towels.
- Appliance becomes very hot while it is in use. Pay attention not to touch the hot parts inside the Microwave oven.
- Your microwave oven is not designed to dry any living being.
- Do not operate the microwave oven when it is empty.
- Cooking utensil may get hot due to the heat transferred from the heated food to the utensil. You may need oven gloves to hold the utensil.
- Utensils shall be checked to ensure that they are suitable for use in microwave ovens.
- Do not place the microwave oven on cooking hobs or other heat generating appliances. Otherwise, it may be damaged and the warranty becomes void.
- The microwave oven must not be placed in a cabinet that is not in compliance with the installation instructions.
- Take care when removing lids from food packages after heating as steam is present.
- Use gloves while taking any kind of heated food out of the microwave oven.

1

Important safety and environmental instructions

- All appliance surfaces may be very hot when the appliance is in use.
- Door and outer glass may be very hot when the appliance is in use do not use the microwave oven.
- Use the appliance with a grounded outlet only.
- Never use the appliance if the power cable or the appliance itself is damaged.

1.1.1 Electrical safety

- If the supply cord is damaged, The supply cord must be replaced by the manufacturer or its service agent or a similarly qualified person in order to avoid a hazard.
- Beko Microwave Ovens comply with the applicable safety standards; therefore, in case of any damage on the appliance or power cable, it should be repaired or replaced by the dealer, service center or a specialist and authorized service alike to avoid any danger. Faulty or unqualified repair work may be dangerous and cause risk to the user.
- Make sure that your mains power supply complies with the information supplied on the rating plate of the appliance.
The only way to disconnect the appliance from the power supply is to remove the power plug from the power outlet.
- Do not use this appliance with an extension cord.
- Never touch the appliance or its plug with damp or wet hands.
- Place the appliance in a way so that the plug is always accessible.
- Prevent damage to the power cable by not squeezing, bending, or rubbing it on sharp edges. Keep the power cable away from hot surfaces and naked flame.
- Make sure that there is no danger that the power cable could be accidentally pulled or that someone could trip over it when the appliance is in use.
- Unplug the appliance before cleaning and when the appliance is not in use.
- Do not pull the power cable of the appliance to disconnect it from its power supply and never wrap its power cable around the appliance.
- Do not immerse the appliance, power cable, or power plug in water or any other liquids. Do not hold it under running water.

1

Important safety and environmental instructions

- When heating food in plastic or paper containers, keep an eye on the oven due to the possibility of ignition.
- Ensure containers are suitable for microwave use.
- Remove the wire strings and/or metal handles of paper or plastic bags before placing bags suitable for use in microwave oven to the oven.
- If smoke is observed, switch off or unplug the appliance if safe to do so and keep the door closed in order to stifle any flames.
- Do not use microwave oven for storage. Do not leave paper items, cooking material or food inside the oven when it is not being used.
- The contents of feeding bottles and baby food should shall be stirred or shaken and the temperature checked before consumption, in order to avoid burns.
- This appliance is a Group 2 Class B ISM equipment. Group 2 contains all ISM (Industrial, Scientific and Medical) equipment in which radio-frequency energy is intentionally generated and/or used in the form of electromagnetic radiation for the treatment of material, and spark erosion equipment.
- Class B equipment is suitable for use in domestic establishments and establishments directly connected to a low voltage power supply network.
- Door or outer surface of the appliance may become hot when it is in use.

1.1.2 Product safety

- Be careful when removing beverages and food from the microwave.
- Do not use cooking oil in the oven. Hot oil may damage the components and materials of the oven, and it may even cause skin burns.
- Pierce food with thick crust such as potatoes, courgettes, apples and chestnuts.
- Appliance must be placed so that the rear side is facing the wall.
- Before moving the appliance, please secure the turntable to prevent damage.
- Eggs in their shell and whole hard-boiled eggs must not be heated in microwave ovens since they may explode, even after microwave heating has ended.

1

Important safety and environmental instructions

- Never remove the parts at the rear and sides of the appliance, which protect the minimum distances between the cabinet walls and the appliance in order to allow for the required air circulation.
- Do not use the appliance as a heat source.
- Microwave oven is intended to thaw, cook and stew food only.
- Do not over-cook foods; otherwise, you may cause a fire.
- Do not use steam assisted cleaners to clean the appliance.

1.2 Intended use

- **WARNING:** If the door or door seals are damaged, the oven must not be operated until it has been repaired by a qualified person.
- **WARNING:** It is hazardous for anyone other than a competent person to carry out any service or repair operation which involves the removal of a cover which gives protection against exposure to microwave energy.
- **WARNING:** Liquids and other foods must not be heated in sealed containers since they are liable to explode.
- The oven should be cleaned regularly and any food deposits removed.
- There should be min 20cm free space above the top surface of the oven.
- Do not use the appliance for anything other than its intended use.

1.3 Children's safety

- Extreme caution is advised when being used near children and persons who are restricted in their physical, sensory or mental abilities.
- This appliance can be used by the children who are at the age of 8 or over and by the people who have limited physical, sensory or mental capacity or who do not have knowledge and experience, as long as they are supervised with regard to safe use of the product or they are instructed accordingly or understand the risks of using the product. Children should not play with the appliance. Cleaning and user maintenance procedures should not be performed by children unless they are controlled by their elders.

1

Important safety and environmental instructions

- Danger of choking! Keep all the packaging materials away from children.
- Only allow children to use the oven without supervision when adequate instructions have been given so that the child is able to use the microwave oven in a safe way and understands the hazards of improper use.
- Due to excessive heat that arises in grill and combination modes, children should only be allowed to use these modes under supervision of an adult.
- Keep the product and its power cable so that they are inaccessible by children under 8 years old.
- The appliance and its accessible surfaces may be very hot when the appliance is in use. Keep children away.
- The appliance is not intended for use by persons (including children) with reduced physical, sensory or mental capabilities, or lack of experience and knowledge, unless they have been given supervised or instruction concerning use of the appliance by a responsible person for their safety.
- Young children should be supervised to ensure that they do not play with the appliance.
- **WARNING:** Only allow children to use the oven without supervision when adequate instructions have been given so that the child is able to use the oven in a safe way and understands the hazards of improper use.

1

Important safety and environmental instructions

1.4 Compliance with the WEEE Directive and Disposing of the Waste Product:

This product complies with EU WEEE Directive (2012/19/EU). This product bears a classification symbol for waste electrical and electronic equipment (WEEE).



This symbol indicates that this product shall not be disposed with other household wastes at the end of its service life. Used device must be returned to official collection point for recycling of electrical and electronic devices. To find these collection systems please contact to your local authorities or retailer where the product was purchased. Each household performs important role in recovering and recycling of old appliance. Appropriate disposal of used appliance helps prevent potential negative consequences for the environment and human health.

1.5 Compliance with RoHS Directive

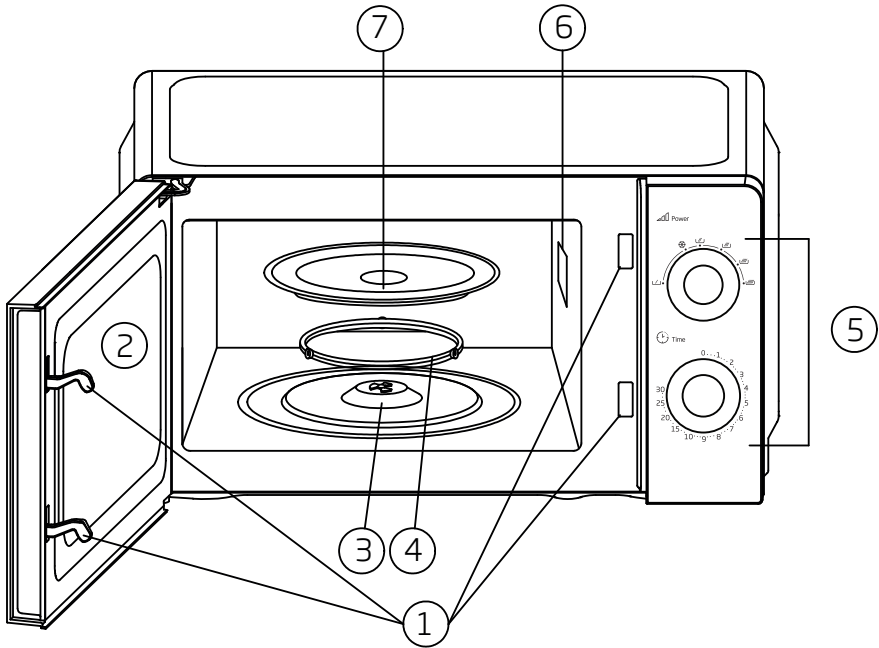
The product you have purchased complies with EU RoHS Directive (2011/65/EU). It does not contain harmful and prohibited materials specified in the Directive.

1.6 Package information



Packaging materials of the product are manufactured from recyclable materials in accordance with our National Environment Regulations. Do not dispose of the packaging materials together with the domestic or other wastes. Take them to the packaging material collection points designated by the local authorities.

2 Your microwave oven



1. Door safety lock system
2. Oven window
3. Shaft
4. Roller ring
5. Control panel
6. Wave guide (Please do not remove the mica plate covering the wave guide)
7. Glass tray

Rated Voltage	AC 230V/50Hz,
Rated Input	1100W (Microwave)
Rated Output	700W
Microwave frequency	2450MHz
Outside dimensions	243mm(H)×446mm(W)×340mm(D)
Oven cavity dimensions	202mm(H)×301mm(W)×311mm(D)
Oven capacity	Compact 20 L
Net weight	Approx.9.4 kg

Technical and design modification rights are reserved.

Markings on the appliance or the values stated in other documents supplied with the product are values obtained under laboratory conditions as per relevant standards. These values may vary according to the usage of the appliance and ambient conditions.

3 Installation and connection

3.1 Installation

1. Make sure that all the packing materials are removed from the inside of the door.



WARNING: Check the oven for any damage, such as misaligned or bent door, damaged door seals and sealing surface, broken or loose door hinges and latches and dents inside the cavity or on the door. If there is any damage, do not operate the oven and contact qualified service personnel.

2. This microwave oven must be placed on a flat, stable surface to hold its weight and the heaviest food likely to be cooked in the oven.
 3. Do not place the oven where heat, moisture, or high humidity are generated, or near combustible materials.
 4. For correct operation, the oven must have sufficient airflow. Allow 20cm of space above the oven, 10cm at back and 5cm at both sides. Do not cover or block any openings on the appliance. Do not remove feet.
 5. Do not operate the oven without glass tray, roller support, and shaft in their proper positions.
 6. Make sure that the power supply cord is undamaged and does not run under the oven or over any hot or sharp surface.
 7. The socket must be readily accessible so that it can be easily unplugged in an emergency.
 8. Do not use the oven outdoors.
2. Reorient the receiving antenna of radio or television.
 3. Relocate the microwave oven with respect to the receiver.
 4. Move the microwave oven away from the receiver.
 5. Plug the microwave oven into a different outlet so that microwave oven and receiver are on different branch circuits.

3.3 Microwave cooking principles

1. Arrange food carefully. Place thickest areas towards outside of dish.
2. Watch cooking time. Cook for the shortest amount of time indicated and add more as needed. Food severely overcooked can smoke or ignite.
3. Cover foods while cooking. Covers prevent spattering and help foods to cook evenly.
4. Turn foods over once during microwave cooking to speed cooking of such foods as chicken and hamburgers. Large items like roasts must be turned over at least once.
5. Rearrange foods such as meatballs halfway through cooking both from top to bottom and from the center of the dish to the outside.

3.4 Grounding instructions

This appliance must be grounded. This oven is equipped with a cord having a grounding wire with a grounding plug. It must be plugged into a wall receptacle that is properly installed and grounded. In the event of an electrical short circuit, grounding reduces risk of electric shock by providing an escape wire for the electric current. It is recommended that a separate circuit serving only the oven be provided. Using a high voltage is dangerous and may result in a fire or other accident causing oven damage.

3.2 Radio interference

Operation of the microwave oven can cause interference to your radio, TV, or similar equipment.

When there is interference, it may be reduced or eliminated by taking the following measures:

1. Clean door and sealing surface of the oven.

3 Installation and connection



WARNING: Improper use of the grounding plug can result in a risk of electric shock.



If you have any questions about the grounding or electrical instructions, consult a qualified electrician or service person.



Neither the manufacturer nor the dealer can accept any liability for damage to the oven or personal injury resulting from failure to observe the electrical connection procedures.

The wires in this cable main are colored in accordance with the following code:

Green and Yellow = EARTH

Blue = NEUTRAL

Brown = LIVE

3.5 Utensils guide

1. Microwave cannot penetrate metal. Only use utensils that are suitable for use in microwave ovens. Metallic containers for food and beverages are not allowed during microwave cooking. This requirement is not applicable if the manufacturer specifies size and shape of metallic containers suitable for microwave cooking.
2. Microwave cannot penetrate metal, so metal utensils or dishes with metallic trim should not be used.
3. Do not use recycled paper products when microwave cooking, as they may contain small metal fragments which may cause sparks and/or fires.
4. Round /oval dishes rather than square/oblong ones are recommend, as food in corners tends to overcook.

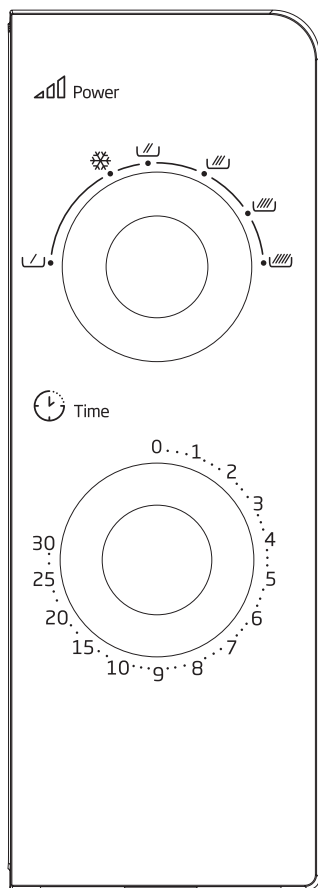
5. Narrow strips of aluminum foil may be used to prevent overcooking of exposed areas. But be careful don't use too much and keep a distance of 1 inch (2.54cm) between foil and cavity.

The list below is a general guide to help you select the correct utensils.

Cookware	Microwave
Heat-Resistant Glass	Yes
Non Heat-Resistant Glass	No
Heat-Resistant Ceramics	Yes
Microwave-Safe Plastic Dish	Yes
Kitchen Paper	Yes
Metal Tray	No
Metal Rack	No
Aluminum Foil & Foil Containers	No

4 Operation

4.1 Control panel



The control panel consists of two function operators. One is a timer knob, and another a power knob.

Power/action selector

You use this operator knob to choose a cooking power level. It is the first step to start a cooking session.

Timer knob

Offer visual timing settings at easy turn of your thumb to select a desired cooking time up to 30 minutes per cooking session.

Microwave cooking

For pure microwave cooking, there are six power levels from which to choose one as best fit to do the job at hand.

Power level increases with the knob turning clockwise. The power levels can be classified as the following:

	Power Output	Description
1	100%	High
2	88%	M. High
3	73%	Med
4	52%	M. Low
5	42%	Defrost
6	20%	Low

4.2 Operation

To start a cooking session,

1. Place food in oven and close the door.
2. Turn Power Selector to select a power level.
3. Use Timer knob to set a cooking time



As soon as the timer is turned, oven starts cooking. When selecting time for less than 2 minutes, turn timer past 2 minutes and then return to the correct time.



CAUTION: Always return timer back to zero position if food is removed from oven before the set cooking time is complete or when oven is not in use. To stop oven during cooking process, push the door release button or open the door by the handle.

5 Cleaning and Care

5.1 Cleaning and Care

1. Turn off the oven and remove the power plug from the wall socket before cleaning.
2. Keep the inside of the oven clean. When food splatters or spilled liquids adhere to oven walls, wipe with a damp cloth. Mild detergent may be used if the oven gets very dirty. Avoid the use of spray and other harsh cleaners as they may stain, streak or dull the door surface.
3. The outside surfaces should be cleaned with a damp cloth. To prevent damage to the operating parts inside the oven, water should not be allowed to seep into the ventilation openings.
4. Wipe the door and window on both sides, the door seals and adjacent parts frequently with a damp cloth to remove any spills or splatters. Do not use abrasive cleaner.
5. A steam cleaner is not be used.
6. Do not allow the control panel to become wet. Clean with a soft, damp cloth. When cleaning the control panel, leave oven door open to prevent oven from accidentally turning on.
7. If steam accumulates inside or around the outside of the oven door, wipe with a soft cloth. This may occur when the microwave oven is operated under high humidity condition. And it is normal.
8. It is occasionally necessary to remove the glass tray for cleaning. Wash the tray in warm sudsy water or in a dishwasher.
9. The roller ring and oven floor should be cleaned regularly to avoid excessive noise. Simply wipe the bottom surface of the oven with mild detergent. The roller ring may be washed in mild sudsy water or dishwasher. When removing the roller ring from cavity floor for cleaning, be sure to replace in the proper position.

10. Remove odors from your oven by combining a cup of water with the juice and skin of one lemon in a deep microwaveable bowl, microwave for 5 minutes. Wipe thoroughly and dry with a soft cloth.
11. When it becomes necessary to replace the oven light, please consult a dealer to have it replaced.
12. The oven should be cleaned regularly and any food deposits removed. Failure to maintain the oven in a clean condition could lead to deterioration of the surface that could adversely affect the life of the appliance and possibly result in a hazardous.
13. Please do not dispose this appliance into the domestic rubbish bin; it should be disposed to the particular disposal center provided by the municipalities

5.2 Storage

If you do not intend to use the appliance for a long time, store it carefully.

- Before lifting the appliance unplug it and then let it cool completely.
- Empty the water reservoir.
- Keep the appliance and its accessories in their original packages.
- Store it in a cool, dry place.
- Always keep the appliance out of the reach of children.

5.3 Handling and transportation

- During handling and transportation, carry the appliance in its original packaging. The packaging of the appliance protects it against physical damages.
- Do not place heavy loads on the appliance or the packaging. The appliance may be damaged.
- Dropping the appliance will render it non-operational or cause permanent damage.

6 Troubleshooting

Problem	Possible solution
If the oven fails to operate	Check to ensure that the oven is plugged in securely. If it is not, remove the plug from the outlet, wait 10 seconds, and plug it in again securely.
	Check for a blown circuit fuse or a tripped main circuit breaker. If these seem to be operating properly, test the outlet with another appliance.
	Check to ensure that the control panel is programmed correctly and the timer is set.
	Check to ensure that the door is securely closed engaging the door safety lock system. Otherwise, the microwave energy will not flow into the oven.
If none of the above rectifies the situation, then contact a qualified technician. Do not try to adjust or repair the oven yourself.	


Vă rugăm să citiți mai întâi acest manual!

Stimate client,

Vă mulțumim pentru că ați ales un produs Beko. Sperăm să obțineți cele mai bune rezultate de la produsul dumneavoastră, care a fost fabricat la o calitate înaltă și cu tehnologii performante. În acest scop, vă rugăm să citiți cu grijă și în întregime acest manual de utilizare și toate celelalte documente însoțitoare înainte de a utiliza produsul și să le păstrați pentru consultări ulterioare. Dacă transmiteți produsul altei persoane, oferiți-i și manualul de utilizare. Respectați toate avertismentele și informațiile din manualul de utilizare.

Semnificația simbolurilor

Următoarele simboluri sunt utilizate în diverse părți ale acestui manual de utilizare:

	Informații importante sau sfaturi utile privind utilizarea.
	Avertismente pentru situații periculoase privitoare la siguranța vieții și a proprietății
	Atenționare de electrocutare
	Avertisment de suprafețe fierbinți.



Acest produs a fost fabricat în fabrici moderne prietenoase cu mediul înconjurător fără a dăuna naturii.

Acest produs este conform cu reglementarea WEEE.



Nu conține PCB.

Această secțiune conține instrucțiuni privind siguranța care vă vor ajuta împotriva riscului de incendiu, electrocutării, expunerii la scurgerea energiei microundelor, vătămările corporale și pagubele materiale. Nerespectarea acestor instrucțiuni invalidează garanția furnizată.

1.1 Siguranță generală

- Nu încercați să porniți cuptorul atunci când ușa este deschisă; în caz contrar dumneavoastră puteți fi expus la energia periculoasă a microundelor. Dispozitivele de siguranță nu trebuie dezactivate sau modificate.
- Nu plasați obiecte între partea frontală și ușa cuptorului. Nu permiteți formarea murdăriei sau a fragmentelor lichidului de curățare pe suprafețe închise.
- Orice lucrări de service ce implică scoaterea panoului ce furnizează protecție împotriva expunerii la energie microundelor trebuie să fie efectuată de către persoane/service autorizat. Orice altă modalitate este periculoasă.
- Produsul dumneavoastră este destinat gătirii, încălzirii și decongelării alimentelor în casă.
- Nu trebuie utilizat în scopuri comerciale. Producătorul nu va fi răspunzător pentru avariile care survin din utilizarea incorectă.
- Nu utilizați acest produs afară, în baie, medii umede sau locuri în care se poate uda.
- Nu va fi asumată nicio responsabilitate sau solicitare de garanție pentru avariile ce survin în timpul întrebuințării greșite sau a manevrării incorecte a produsului.
- Nu încercați niciodată să demontați produsul. Nu sunt acceptate solicitări de garanție pentru avarii cauzate de manevrarea incorectă a produsului.
- Utilizați doar componente originale sau componente recomandate de către producător.
- În timpul utilizării, nu lăsați produsul nesupravegheat.
- Întotdeauna utilizați produsul pe o suprafață stabilă, dreaptă, curată și aderentă.
- Acest produs nu trebuie utilizat cu un ceas exterior sau un sistem separat de control prin telecomandă.
- Înainte de prima utilizare al produsului, curățați toate componentele. Vă rugăm să consultați

1 Instrucțiuni importante de siguranță și mediu

- Detaliile prezentate în secțiunea "curățare și întreținere".
 - Utilizați acest produs doar pentru uzul destinat așa cum este descris în acest manual. Nu utilizați substanțe chimice abrazive sau abur pentru curățarea produsului. Acest cuptor este destinat încălzirii și gătirii alimentelor. Nu este destinat uzului industrial sau în laborator.
 - Nu utilizați produsul să uscați articolele de îmbrăcăminte sau prosoape de bucătărie.
 - În timpul utilizării, produsul devine foarte fierbinte. Fiți atenți să nu atingeți părțile fierbinți în interiorul cuptorului.
 - Cuptorul dumneavoastră nu este destinat uscării oricărei făpturi vii.
 - Nu utilizați cuptorul gol.
 - Ustensilele de gătire pot deveni fierbinți datorită căldurii transferate de la alimente către acestea. Pentru ținerea ustensilelor aveți nevoie de mănuși de bucătărie.
 - Ustensilele vor fi verificate pentru a se asigura că sunt adecvate utilizării în cuptoarele cu microunde.
 - Nu amplasați cuptorul pe plite sau alte produse de generare a căldurii.
- În caz contrar, acesta poate fi avariât și garanția devine nulă.
- Cuptorul cu microunde nu trebuie să fie amplasat într-un dulap care nu corespunde cu instrucțiunile de montaj.
 - Aburul poate ieși în momentul deschiderii protecției sau foliei după gătitul alimentelor.
 - Atunci când scoateți alimente încălzite, utilizați mănuși.
 - În momentul când produsul este în folosință, acesta și suprafețele accesibile pot deveni foarte fierbinți.
 - Atunci când produsul este în folosință, ușa și sticla exterioară poate deveni foarte fierbinți.

1.1.1 Siguranță electrică

- Cuptorul cu microunde de la Beko este conform standardelor de siguranță aplicabile; din acest motiv, în caz de orice avarii ale produsului sau a cablului de alimentare, acesta trebuie reparat sau înlocuit de către dealer, centru de service sau specialist pentru evitarea orice pericol. Lucrările de reparații greșite sau efectuate de persoane necalificate pot produce pericole sau riscuri ale utilizatorului.

- Asigurați-vă că tensiunea de alimentare corespunde cu informațiile furnizate pe eticheta produsului.
Singura modalitate de deconectare a produsului din priză este de a scoate ștecherul de alimentare din priză.
- Utilizați produsul doar cu o priză cu împământare.
- Nu utilizați produsul atunci când cablul de alimentare sau produsul în sine este avariata.
- Nu utilizați acest produs cu un prelungitor.
- Nu atingeți niciodată produsul sau priza cu mâinile umede.
- Plasați produsul într-o poziție în așa fel încât ștecherul este întotdeauna accesibil.
- Preveniți avariarea cablului de alimentare prin comprimare, deformare sau frecarea de margini tăioase. Mențineți cablul de alimentare departe de suprafețele fierbinți și flacăra deschisă.
- Asigurați-vă că cablul de alimentare nu poate fi scos accidental din priză sau că o persoană se poate împiedica de el atunci când cuptorul este în folosință.
- Înainte de fiecare curățare și atunci când produsul nu este folosit, scoateți-l din priză.
- Pentru deconectarea aparatului, nu trageți de cablul de alimentare și nu înfășurați cablul în jurul produsului.
- Nu imersați produsul, cablul de alimentare sau ștecherul în apă sau alte lichide. Nu-l mențineți sub apă curentă.
- Atunci când încălziți alimente în recipiente de plastic sau hârtie, verificați frecvent cuptorul datorită posibilității de aprindere.
- Înainte de introducerea pungilor adecvate în cuptorul cu microunde, scoateți fâșiile de sârmă și/sau mânerile metalice ale pungilor de hârtie sau plastic.
- Dacă dumneavoastră sesizați apariția fumului, opriți produsul sau deconectați-l și mențineți ușa închisă pentru a preveni aprinderea.
- Nu utilizați interiorul cuptorului pentru depozitare. Atunci când cuptorul nu este funcțional, nu lăsați articole din hârtie, fragmente de alimente sau mâncare în interiorul cuptorului.

- Înainte de consum și pentru evitarea producerii rănilor provocate de arsuri conținutul sticlelor și a borcanelor pentru bebeluși trebuie să fie amestecat și agitat, iar temperatura trebuie să fie verificată.
- Acest produs este un echipament ISM din grupa 2 clasa B. Grupa 2 cuprinde tot echipamentul ISM (industrial, științific și medical) în care energia radio este generată intenționat și/sau utilizată în formă de radiație electromagnetică pentru tratamentul materialului și echipamentul de eroziune prin scânteie.
- Echipamentul din clasa B este adecvat utilizării în locuințe domestice și locuințe conectate direct la rețeaua de alimentare cu tensiune scăzută.
- În momentul utilizării, ușa sau suprafețele exterioare ale produsului pot deveni fierbinți.
- Încălzirea băuturilor cu microunde pot cauza fierberea prin barbotarea acestora după ce au fost scoase din cuptor; aveți grijă în momentul când țineți recipientele.
- Nu prăjiți nimic în cuptor. Uleiul încins poate avaria componentele și materialele cuptorului, și poate chiar cauza arsuri ale pielii.
- Perforați mâncarea cu coajă groasă cum ar fi cartofii, dovleceii, merele și castanele.
- Produsul trebuie să fie montat în așa fel încât partea din spate să fie la perete.
- Dacă ușa sau chederele ușii sunt avariate, cuptorul nu trebuie utilizat până când acesta nu este reparat de către o persoană calificată.
- Înainte de mutarea produsului, vă rugăm să asigurați suportul rotativ pentru prevenirea avariilor acestuia.

1.1.2 Siguranța produsului

- Lichidele sau alte alimente nu trebuie încălzite în recipiente închise deoarece prezintă riscul de explozie.

- Nu utilizați cuptorul cu microunde pentru a pregăti sau încălzi ouă ochi cu sau fără coajă.

1 Instrucțiuni importante de siguranță și mediu

- Nu scoateți componentele din partea laterală și partea posterioară a produsului, ce protejează distanțele minime dintre pereții dulapului și ale produsului pentru a permite circulația necesară a aerului.

1.2 Utilizare destinată

- Cuptorul cu microunde este destinat doar pentru uzul construit.
- Nu utilizați produsul pentru altceva decât uzul destinat.
- Nu utilizați produsul ca o sursă de căldură.
- Cuptorul cu microunde este destinat decongelării, pregătirii și agitării mâncării.
- Nu supragătiți produsele; în caz contrar puteți cauza un incendiu.
- Nu utilizați aspiratoare pe bază de abur pentru curățarea produsului.
- Cuptorul trebuie să fie curățat regulat și depozitele de mâncare trebuie eliminate.
- Deasupra suprafeței superioare a cuptorului trebuie să existe o distanță liberă de minim 20 cm.

1.3 Siguranța copiilor

- Atunci când cuptorul este utilizat lângă copii sau persoane care prezintă abilități fizice, senzoriale sau mentale restricționate, este recomandată atenție extremă.
- Acest produs poate fi utilizat de către copii cu o vârstă de 8 ani și mai mare și de către persoane cu capacitate fizică, senzorială sau mentală limitată sau care nu au cunoștințe și experiență, atât timp cât aceștia sunt supravegheați cu privire la utilizarea sigură a produsului sau sunt instruiți cu privire la utilizarea și înțelegerea riscurilor de utilizare ale produsului. Copii nu trebuie să se joace cu produsul. Lucrările de curățare și întreținere nu trebuie să fie efectuate de către copii cu excepția supravegherii de către un adult.
- Pericol de sugrumare! Mențineți materialele de ambalare departe de copii.
- Permiteți doar copiilor să utilizeze cuptorul fără supraveghere atunci când aceștia au fost instruiți corespunzător cu privire la utilizarea în siguranță a cuptorului cu microunde și înțelegerea pericolelor de utilizare necorespunzătoare.

- Datorită căldurii excesive care este emisă de grill și modurile de combinare, copii trebuie să fie permisi să utilizeze aceste moduri sub supravegherea unui adult.
- Mențineți produsul și cablul său de alimentare departe de copii cu vârsta de sub 8 ani.
- În momentul când produsul este în folosință, acesta și suprafețele accesibile pot deveni foarte fierbinți. Mențineți copiii departe.

1.4 Conformitate cu Directiva WEEE și depozitarea la deșeurii a produsului uzat:

Acest produs respectă Directiva UE WEEE (2012/19/UE). Produsul este marcat cu un simbol de clasificare pentru deșeurii electrice și electronice (WEEE).



Acest simbol indică faptul că produsul nu trebuie eliminat cu alte deșeurii menajere la finalul perioadei de utilizare. Dispozitivele utilizate trebuie returnate la punctul special de reciclare de dispozitive electrice și electronice. Pentru a găsi aceste sisteme de colectare contactați autoritățile locale sau distribuitorul de la care a fost achiziționat produsul. Fiecare gospodărie are un rol important în recuperarea și reciclarea electrocasnicilor vechi. Eliminarea corespunzătoare a electrocasnicilor utilizate ajută la prevenirea posibilelor consecințe negative pentru mediu și sănătatea umană.

1.5 Conformitate cu Directiva RoHS:

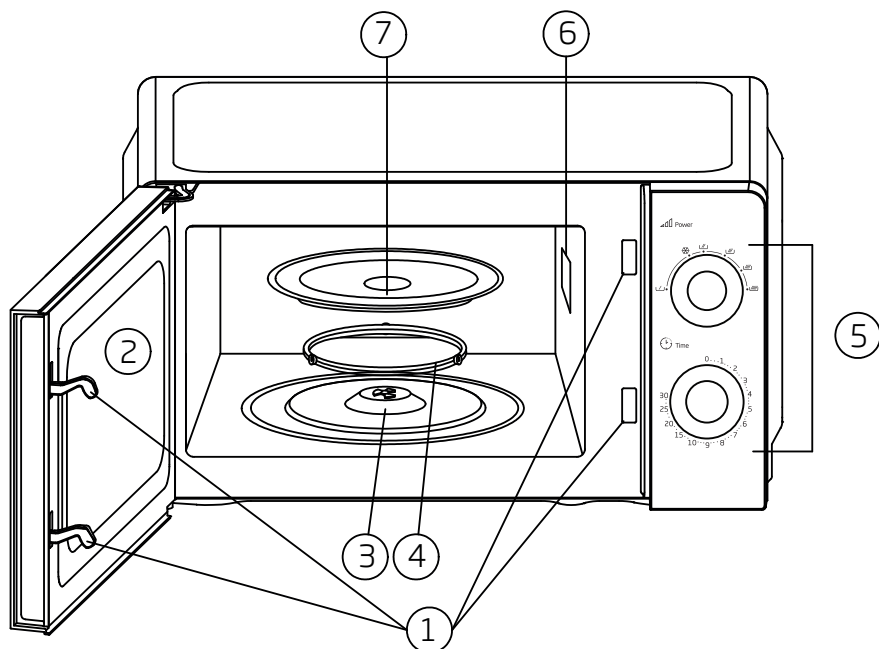
Produsul pe care l-ați achiziționat respectă Directiva UE RoHS (2011/65/UE). Nu conține materiale dăunătoare și interzise specificate în Directivă.

1.6 Informații despre ambalaj



Ambalajul produsului este fabricat din materiale reciclabile conform Legislației Naționale. Ambalajele nu trebuie aruncate împreună cu gunoiul menajer sau alt tip. Duceți-le la punctele de colectare destinate ambalajelor amenajate de către autoritățile locale.

2 Cuptorul cu microunde



1. Sistem blocare siguranță ușă
2. Geam cuptor
3. Ax rotativ
4. Inel rotativ
5. Panou de comandă
6. Ghid de unde (nu îndepărtați folia de mică ce acoperă ghidul de unde)
7. Platan de sticlă

Tensiune nominală	AC 230V/50Hz,
Putere nominală de intrare	1100W (Microunde)
Putere nominală de ieșire	700W
Frecvență microunde	2450 MHz
Dimensiuni exterioare	243mm(h) x446mm(l)x340mm(Ad)
Dimensiuni cavitate cuptor	202mm(h)×301mm(l)×311mm(Ad)
Capacitate cuptor	Compact 20 L
Greutate netă	Aprox. 9,4 kg

Drepturile tehnice și de modificare a design-ului sunt rezervate.

Simbolurile de pe produs sau valorile prezentate în alte documente furnizate cu produsul reprezintă valorile obținute sub condiții de laborator conform standardelor relevante. Aceste valori pot varia în funcție de utilizarea produsului și condițiile ambientale.

3 Instalare și conectare

3.1 Instalare

1. Asigurați-vă că materialele de ambalare sunt îndepărtate de pe interiorul ușii.



AVERTISMENT: Verificați cuptorul, pentru a identifica o eventuală deteriorare, precum ușă aliniată necorespunzător sau îndoită, garnituri de ușă și suprafață de etanșare deteriorate, balamale de ușă defecte sau desprinse și încuietori și creștături în interiorul cavității sau pe ușă. Dacă există orice urmă de deteriorare, nu utilizați cuptorul și contactați personal de service calificat.

2. Acest cuptor cu microunde trebuie așezat pe o suprafață plană și stabilă, pentru a-i susține greutatea și cele mai grele alimente care pot fi preparate în cuptor.
3. Nu așezați cuptorul acolo unde se generează căldură, umezeală sau umiditate ridicată sau lângă materiale combustibile.
4. Pentru o funcționare corectă, cuptorul trebuie să aibă flux suficient de aer. Lăsați 20cm de spațiu liber deasupra cuptorului, 10cm în spate și 5cm pe ambele laturi. Nu acoperiți și nu blocați nicio deschizătură de pe aparat. Nu îndepărtați piciorușele.
5. Nu utilizați cuptorul fără platanul din sticlă, suportul rolei și axul rotativ în pozițiile corespunzătoare.
6. Asigurați-vă că nu este deteriorat cablul de alimentare și că acesta nu trece pe sub cuptor sau peste orice suprafață fierbinte sau ascuțită.
7. Priza trebuie să fie ușor accesibilă, astfel încât cablul de alimentare să poată fi scos cu ușurință într-o situație de urgență.
8. Nu utilizați cuptorul în aer liber.

3.2 Interferențe radio

Funcționarea cuptorului cu microunde poate provoca interferențe cu radioul, televizorul dvs. sau cu echipamente asemănătoare.

Atunci când există interferențe, acestea pot fi reduse sau eliminate prin luarea următoarelor măsuri:

1. Curățați ușa și suprafața de etanșare a cuptorului.
2. Reorientați antena de recepție a radioului sau a televizorului.
3. Schimbați poziția cuptorului cu microunde față de receptor.
4. Muțați cuptorul cu microunde la distanță de receptor.
5. Conectați cuptorul cu microunde la o priză diferită, astfel încât cuptorul cu microunde și receptorul să se afle pe circuite cu ramuri diferite.

3.3 Principiile preparării la microunde

1. Aranjați alimentele cu atenție. Așezați zonele cele mai groase spre exteriorul vasului.
2. Respectați timpul de preparare. Preparați în timpul cel mai scurt indicat și adăugați mai mult în funcție de necesități. Alimentele supraîncălzite pot fumegea sau se pot arde.
3. Acoperiți alimentele în timpul preparării. Capacele împiedică stropirea și contribuie la prepararea uniformă a alimentelor.
4. Întoarceți alimentele o dată în timpul preparării la microunde, pentru a accelera prepararea unor alimente precum pui și hamburgeri. Articolele mari precum fripturile trebuie întoarse cel puțin o dată.
5. Rearanjați alimentele precum chiftelele atât de sus în jos, cât și de la centrul vasului spre exterior, la jumătatea timpului de preparare

3 Instalare și conectare

3.4 Instrucțiuni de împământare

Acest aparat trebuie să fie împământat. Acest cuptor este echipat cu un cablu care are un fir de împământare cu o priză de împământare. Acesta trebuie conectat la o priză de perete care este instalată și împământată în mod corespunzător. În eventualitatea unui scurtcircuit electric, împământarea reduce riscul de electrocutare prin asigurarea unui cablu de eliminare pentru curentul electric. Se recomandă asigurarea unui circuit separat care să deservească numai cuptorul. Utilizarea unei tensiuni înalte este periculoasă și poate avea drept rezultat un incendiu sau alt accident care să cauzeze deteriorarea cuptorului.



AVERTISMENT: Utilizarea necorespunzătoare a prizei de împământare poate avea drept rezultat riscul de electrocutare.



Dacă aveți întrebări despre împământare sau despre instrucțiunile privind curentul electric, consultați un electrician calificat sau un specialist în service.



Nici producătorul și nici distribuitorul nu pot accepta vreo responsabilitate pentru deteriorarea cuptorului sau pentru vătămările corporale care rezultă din nerespectarea procedurilor de conectare la rețeaua electrică.

Firele din acest mănunchi de cabluri sunt conectate în conformitate cu următorul cod:

Verde și Galben = ÎMPĂMÂNTARE

Albastru = NUL

Maro = FAZĂ

3.5 Ghid privind ustensilele

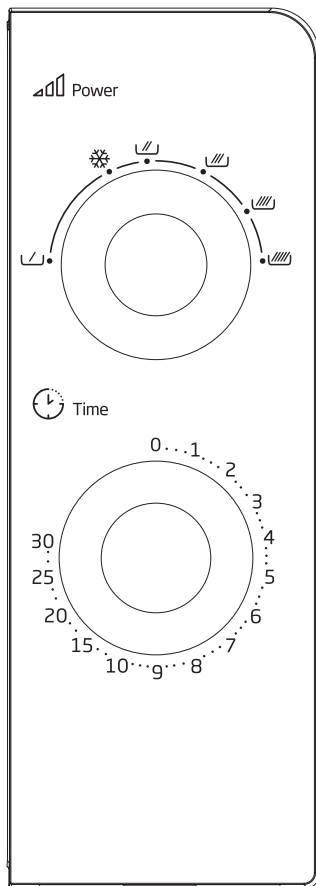
1. Microundele nu pot penetra metalul. Folosiți numai ustensile adecvate utilizării în cuptoarele cu microunde. Nu se permite utilizarea recipientelor metalice pentru alimente și băuturi în timpul preparării la cuptorul cu microunde. Această cerință nu se aplică dacă producătorul specifică dimensiunea și forma recipientelor metalice adecvate pentru prepararea la microunde.
2. Microundele nu pot penetra metalul, deci nu trebuie utilizate ustensilele metalice sau vase cu margini metalice.
3. Nu utilizați produse din hârtie reciclată atunci când preparați la microunde, deoarece acestea pot conține mici fragmente metalice care pot cauza scânteii și/sau incendii.
4. Se recomandă mai degrabă vase rotunde/ovale în locul celor pătrate/dreptunghiulare, deoarece alimentele din colțuri tind să se supraîncălzească.
5. Se pot utiliza fâșii înguste de folie de aluminiu, pentru a împiedica supraîncălzirea zonelor expuse. Însă aveți grijă să nu utilizați prea multă și mențineți o distanță de 1 inch (2,54 cm) între folie și cavitate.

Lista de mai jos reprezintă un ghid general, care vă ajută să selectați ustensilele corecte.

Accesorii pentru preparare	Microunde
Sticlă termorezistentă	Da
Sticlă care nu e termorezistentă	Nu
Ceramică termorezistentă	Da
Plastic pentru microunde	Da
Hârtie pentru bucătărie	Da
Tavă de metal	Nu
Grătar de metal	Nu
Folie din aluminiu și recipiente din aluminiu	Nu

4 Funcționare

4.1 Panou de control



Panoul de comandă este alcătuit din doi operatori de funcții. Unul este timer-ul iar celălalt selectorul de putere

Selector funcție/putere

Folosiți acest buton pentru a seta nivelul puterii de preparare. Acesta este primul pas.

Timer

Întorcând butonul, beneficiați de setări vizuale pentru a selecta timpul de preparare dorit de până la 30 de minute pe sesiune de preparare.

Prepararea la microunde

Pentru prepararea la microunde, puteți alege programul cel mai potrivit din cele șase pe care le aveți la îndemână.

Rotind butonul în sensul acelor de ceasornic, puteți crește nivelul de putere. Nivelele de putere pot fi clasificate astfel:

	Putere de ieșire	Descriere
1	100%	Ridicat
2	88%	M. Ridicat
3	73%	Mediu
4	52%	M. Scăzut
5	42%	Decongelare
6	20%	Scăzut

4.2 Funcționare

Pentru a începe o sesiune nouă

1. Așezați alimentele în cuptor și închideți ușa.
2. Rotiți selectorul de putere pentru a selecta un nivel de putere.
3. Folosiți timer-ul pentru a seta un timp de preparare



Cuptorul pornește imediat ce timer-ul este rotit. Când selectați un timp de mai puțin de 2 minute, rotiți timer-ul peste 2 minute și reveniți la timpul potrivit.



ATENȚIE: Întoarceți întotdeauna timer-ul în poziția zero dacă alimentele sunt scoase din cuptor înainte de terminarea timpului setat sau când cuptorul nu este utilizat. Pentru a opri cuptorul în timpul procesului de preparare, apăsați butonul de eliberare al ușii, sau deschideți ușa de mâner.

5 Curățare și îngrijire

5.1 Curățare și îngrijire

1. Oprii cuptorul și scoateți ștecherul din priza de perete înainte de curățare.
2. Mențineți curat interiorul cuptorului. Ștergeți pereții cuptorului cu o lavetă umedă când stropi de alimente sau lichide vărsate aderă la pereții cuptorului. Dacă cuptorul se murdărește foarte mult, se poate folosi un detergent ușor. Evitați utilizarea agenților de curățare sub formă de spray și a altor agenți de curățare duri, deoarece aceștia pot păta, pot lăsa dăre sau pot mătui suprafața ușii.
3. Suprafețele exterioare trebuie să fie curățate cu o lavetă umedă. Pentru a împiedica deteriorarea părților în funcțiune din interiorul cuptorului, nu trebuie să se permită pătrunderea apei în deschizăturile pentru ventilație.
4. Ștergeți frecvent ambele părți ale ușii și ale geamului, garniturile ușii și piesele adiacente cu o lavetă umedă, pentru a îndepărta orice stropi sau pete. Nu utilizați agenți abrazivi de curățare.
5. Nu se va utiliza un agent de curățare cu abur.
6. Nu permiteți umezirea panoului de control. Curățați cu o lavetă moale și umedă. Atunci când curățați panoul de control, lăsați deschisă ușa cuptorului, pentru a împiedica pornirea accidentală a acestuia.
7. Dacă se acumulează abur în interiorul sau în jurul părții exterioare a ușii cuptorului, curățați-l cu ajutorul unei lavete moi. Acest lucru poate surveni în momentul în care cuptorul cu microunde este utilizat în condiții de umiditate ridicată. Acest lucru este normal.
8. Este necesar ca ocazional să îndepărtați tăvița de sticlă pentru curățare. Curățați tăvița în apă caldă plină de săpun sau în mașina de spălat vase.
9. Pentru a evita zgomotul excesiv, inelul de rotire și suprafața inferioară a cuptorului trebuie să fie curățate în mod regulat. Pur și simplu ștergeți suprafața inferioară a cuptorului cu detergent ușor. Inelul rotativ poate fi spălat în apă plină de săpun ușor sau în mașina de spălat vase. Atunci când se îndepărtează inelul rotativ de pe partea inferioară a cavității pentru curățare, asigurați-vă că îl așezați la loc în poziție corespunzătoare.
10. Îndepărtați mirosurile din cuptor combinând o cană de apă cu sucul și coaja unei lămâi într-un bol adânc, ce poate fi utilizat în cuptorul cu microunde, timp de 5 minute. Curățați în întregime și apoi uscați-l cu o lavetă moale.
11. Atunci când este necesară înlocuirea ușii cuptorului, vă rugăm să consultați un distribuitor pentru înlocuire.
12. Cuptorul trebuie să fie curățat regulat și depozitele de alimente trebuie eliminate. Nerespectarea menținerii în stare curată a cuptorului poate duce la deteriorarea suprafeței acestuia, ceea ce poate afecta în mod negativ viața produsului sau chiar genera situații periculoase.
13. Vă rugăm să nu aruncați acesta aparat în coșul de gunoi menajer; acesta trebuie aruncat la centrul specific de eliminare asigurat de municipalitate.

5.2 Depozitarea

Dacă nu doriți să utilizați produsul pentru o perioadă lungă de timp, depozitați-l cu grijă.

- Înainte de ridicarea produsului, deconectați-l și apoi lăsați-l să se răcească complet.
- Golii rezervorul de apă.
- Mențineți produsul și accesoriile acestuia în ambalajele originale.
- Depozitați-l într-un loc răcoros și uscat.
- Întotdeauna mențineți produsul departe de copii.

5 Curățare și îngrijire

5.3 Manevrarea și transportul

- În timpul manevrării și transportului, transportați produsul în ambalajul său original. Ambalajul produsului îl protejează împotriva avariilor fizice.
- Nu plasați sarcini grele pe aparat sau pe ambalaj. Produsul poate fi avariat.
- Scăderea produsul va contribui la nefuncționarea sau cauza avarii permanente.

6 Depanarea

Problemă	Soluție posibilă
În cazul în care cuptorul nu funcționează:	Verificați pentru a vă asigura că acesta este conectat în siguranță la priză. Dacă nu este, scoateți ștecherul din priză, așteptați 10 secunde și conectați-l din nou la priză în siguranță.
	Verificați să nu existe o siguranță sărită a circuitului sau un întrerupător de circuit principal declanșat. Dacă acestea par să funcționeze corespunzător, testați priza cu alt aparat.
	Verificați pentru a vă asigura că panoul de control este programat corect și că este setat cronometrul.
	Verificați pentru a vă asigura că ușa este închisă în siguranță, prin cuplarea sistemului de închidere sigură a ușii. În caz contrar, energia microundelor nu va trece în cuptor.
DACĂ SITUAȚIA NU SE REMEDIAZĂ PRIN NICIUNA DINTRE MĂSURILE DE MAI SUS, CONTACTAȚI UN TEHNICIAN CALIFICAT. NU ÎNCERCAȚI SĂ REGLAȚI SAU SĂ REPARAȚI SINGUR CUPTORUL.	



CERTIFICAT DE GARANȚIE

Tensiune de alimentare/frecvență: 220-240V~, 50-60Hz

Importator: ARCTIC S.A., Găești, Dâmbovița, str. 13 Decembrie nr. 210, email: office@arctic.ro

TIP: **Electrocasnice mici de bucătărie - 3 ani** **Cuptor cu microunde - 3 ani**
 Aspirator - 2 ani **Fier de călcat - 2 ani**

Model / Serie:

VĂNZĂTOR

Nr. factură: Data:

Vănzător (firma, localitatea):

CUMPĂRĂTOR

Nume Localitatea

Str. Nr. Bloc. Sc. Et. Ap.

Județ. Telefon E-mail

S-a efectuat proba de funcționare a aparatului, s-a prezentat modul de folosire, s-au predat instrucțiunile de utilizare și toate accesoriile. Am primit aparatul în perfectă stare de funcționare.

Stimați clienți,

La cumpărare vă recomandăm să solicitați efectuarea probei de funcționare și să verificați existența instrucțiunilor de utilizare și a accesoriilor.

Pentru a putea beneficia de toate avantajele produselor și serviciilor noastre vă rugăm:

- să citiți cu atenție și să respectați recomandările prezentate în "Instrucțiunile de utilizare",

- să păstrați cu grijă acest certificat pentru a-l putea prezenta (împreună cu documentul fiscal de achiziție), personalului SERVICE ARCTIC, la orice sesizare efectuată în perioada de garanție.

Vă mulțumim că ați optat pentru cumpărarea unui produs Beko!

Durata medie de utilizare a produselor BEKO este de 5 ani!

Perioada de garanție legală de conformitate este de 2 ani de la intrarea produsului în posesia consumatorului.

Perioada de garanție comercială este de 3 ani de la intrarea produsului în posesia consumatorului.

Art. 22, alin. 3-6, din L449/2003, modificată de OG 9/2016:

- (3) Timpul de nefuncționare din cauza lipsei de conformitate apărute în cadrul termenului de garanție prelungeste termenul de garanție legală de conformitate și cel al garanției comerciale și curge, după caz, din momentul la care a fost adusă la cunoștința vânzătorului lipsa de conformitate a produsului sau din momentul prezentării produsului la vânzător/unitatea service până la aducerea produsului în stare de utilizare normală și, respectiv, al notificării în scris în vederea ridicării produsului sau predării efective a produsului către consumator.

- (4) Produsele de folosință îndelungată care înlocuiesc produsele defecte în cadrul termenului de garanție vor beneficia de un nou termen de garanție care curge de la data preschimbării produsului.

- (5) Produsele de folosință îndelungată defectate în termenul de garanție legală de conformitate, atunci când nu pot fi reparate sau când durata cumulată de nefuncționare din cauza deficiențelor apărute în termenul de garanție legală de conformitate depășește 10% din durata acestui termen, la cererea consumatorului, vor fi înlocuite de vânzător sau acesta va restituți consumatorului contravaloarea produsului respectiv.

- (6) Termenul de garanție curge de la data intrării bunului respectiv în posesia consumatorului, inclusiv pentru bunurile noi de folosință îndelungată, obținute prin tragere la sorți la tombole, câștigate la concursuri și similare sau acordate cu reducere de preț ori gratuit de către operatorii economici.

Garanția oferită nu exclude garanția de viciu ascuns, conform OG 21/1992 (R2) privind protecția consumatorului și Codul Civil.



Service-ul acestui produs este asigurat de ARCTIC S.A, cu sediul în Găești, Dâmbovița, str. 13 Decembrie nr. 210, *9010 • www.arctic.ro • www.beko.ro • e-mail: service@arctic.ro

Program Call Center: Luni - Vineri 08:30 - 20:00; Sâmbătă 08:30 - 17:00

UNITĂȚILE SERVICE ALE ARCTIC S.A. EXECUTĂ REPARAȚII ÎN TERMENUL DE GARANȚIE ȘI ÎN AFARA ACESTUIA

Nr. crt.	Data Reclamației	Data primirii în reparație	Reparat		Reparația curentă și/sau componenta înlocuită	Prelungirea termenului de garanție		Efectuarea verificării
			Programat	Data ridicării aparatului		Cauza întârzierii	SERVICE	

CONDIȚIILE DE GARANȚIE LEGALĂ DE CONFORMITATE :

1. Garanția se aplică numai dacă documentul fiscal de achiziție împreună cu acest certificat sunt prezentate împreună cu produsul reclamat. Pentru orice defecțiune aparută în perioada de garanție sau post garanție, apelați la magazinul de unde a fost achiziționat produsul sau direct la Call Center Arctic.
2. Prelungirea termenului de garanție se prelungește cu timpul scurs de la data semnării defectului și până la data repunerii aparatului în stare de funcționare.
3. Garanția acoperă repararea și/sau înlocuirea pieselor constatate ca defecte (necauzate de consumator) de către tehnicienii Service Arctic.
4. La cumpărare vă recomandăm să solicitați efectuarea probei de funcționare și să verificați existența tuturor accesoriilor și a instrucțiunilor de utilizare. Produsul trebuie să funcționeze corect și să nu prezinte defecțe vizibile ale pieselor și accesoriilor.
5. Termenul de realizare a operațiilor de reparare, înlocuire sau întreținere este de 15 zile calendaristice de la data la care cumpărătorul a sesizat defecțiunea la magazinul de unde a achiziționat produsul sau direct la Call Center Arctic.

Reclamațiile referitoare la aspectele prevăzute mai jos, se rezolvă numai contra cost :

- a) nefuncționarea lămpilor de iluminare;
- b) accesoriile care nu au defecte ascunse de material constatate de tehnicienii Service Arctic;
- c) piesele și accesoriile care prezintă lovituri, zgârieturi, spărturi sau deformări.

PRODUSUL NU BENEFICIAZĂ DE GARANȚIE LEGALĂ DE CONFORMITATE ÎN URMĂTOARELE CAZURI:

1. Nu au fost respectate instrucțiunile de transport, manipulare, instalare, întreținere și utilizare și întreținere prescise.
2. Subsamburii și accesoriile casabile care se deteriorează în timpul transportului vor fi înlocuite de vânzător (în cazul în care asigură transportul).
3. Garanția nu se acordă subsansamblelor și accesoriilor casabile ale produselor care suferă deteriorări din vina consumatorului.
4. Tensiunea alimentare a valorii care nu se încadrează în limitele prevăzute de standarde (SREN 50160).
5. Instalarea electrică a utilizatorului prezintă improvizatii sau neconformități.
6. Produsul a fost folosit în alte scopuri decât cel pentru care a fost proiectat.
7. Produsul a suportat intervenții (reparații, modificări) din partea unor persoane neautorizate de producător.

Drepturile consumatorului sunt cele prevăzute în Legea 449/2003 (republicată) și OG 21/1992 (republicată).



Arçelik A.Ş.

Karaağaç Caddesi No:2-6, 34445,

Sütlüce / İSTANBUL

www.beko.com