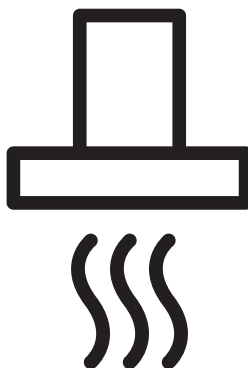




Cooker Hood

User Manual



BHCB 93640 B - BHCB 93640 BH

EN - DE - ES - RO - FR - NL - KA - PT - SQ - CS - SK - PL - BG - BS - RU - KK



01M-8897303200-0722-10
01M-8897833200-0722-10

CONTENTS

ENGLISH	3-16
DEUTSCH	17-33
ESPAÑOL	34-50
ROMÂNĂ	51-66
FRANÇAIS	67-82
NEDERLANDS	83-97
KARTULI	98-117
PORTUGUÊS	118-134
SHQIPTARE	135-149
ČESKY	150-164
SLOVENSKÝ	165-179
POLSKI	180-197
БЪЛГАРСКИ	198-216
BOSANSKI	217-230
РУССКИЙ	231-251
KAZAKH	251-271

Please read this user manual first!

Dear Valued Customer,

Thank you for preferring this Beko appliance. We hope that you get the best results from your appliance which has been manufactured with high quality and state-of-the-art technology. For this reason, please read this entire user manual and all other accompanying documents carefully before using the appliance and keep it as a reference for future use. If you handover the appliance to someone else, give the user manual as well. Follow the instructions by paying attention to all the information and warnings in the user manual.

Remember that this user manual may also apply to other models. Differences between models are explicitly described in the manual.

Meanings of the Symbols

Following symbols are used in various sections of this user manual:



Important information and useful hints about usage.



WARNING: Warnings against dangerous situations concerning the security of life and property.



WARNING: Warning for danger of fire.



WARNING: Warning for electric shock.



This appliance has been produced in environmentally friendly facilities without harming the nature.

1 Important safety and environmental instructions

1.1 General safety

Important Safety Instructions Read Carefully And Keep For Future Reference This section contains safety instructions that will help protect from risk of fire, electric shock, exposure to leak microwave energy, personal injury or property damage. Failure to follow these instructions shall void any warranty.

- Beko products comply with the applicable safety standards; therefore, in case of any damage on the appliance or power cable, it should be repaired or replaced by the dealer, service center or a specialist and authorized service alike to avoid any danger. Faulty or unqualified repair work may be dangerous and cause risk to the user.
- This appliance is intended to be used in household and similar applications such as:
 - Staff kitchen areas in shops, offices and other working environments;
 - Farm houses
 - By clients in hotels, and other residential type environments;
 - Bed and Breakfast type environments.
- Operate the appliance for its intended purpose only as described in this manual.
- The manufacturer cannot be held liable for damages resulting from improper installation or misuse of the product.
- This appliance can be used by children aged from 8 years and above and persons with reduced physical, sensory or mental capabilities or lack of experience and knowledge if they have been given supervision or instruction concerning use of the appliance in a safe way and understand the hazards involved.
- Children shall not be allowed play with the appliance. Cleaning and user maintenance shall not be made by children without supervision.

1 Important safety and environmental instructions

- The minimum distance between the supporting surface for the cooking vessels on the hob and the lowest part of your product must be at least 65 cm.
 - If the instructions for installation for the gas hob specify a greater distance, this has to be taken into account.
 - Make sure that your mains power supply complies with the information supplied on the rating plate of the appliance.
 - Never use the appliance if the power cable or the appliance itself is damaged.
 - Prevent damage to the power cable by not squeezing, bending, or rubbing it on sharp edges. Keep the power cable away from hot surfaces and naked flame.
 - Use the appliance with a grounded outlet only.
- WARNING:** Do not connect the appliance to the mains until the installation is fully complete.
- Place the appliance in a way so that the plug is always accessible.
 - Do not touch the lamps if they have operated for a long time. They can burn your hands since they will be hot.
 - Follow the regulations set out by competent authorities on discharge of the exhaust air (this warning is not applicable for use without flue).
 - Operate your appliance after putting a pot, pan etc. on the hob. Otherwise, high heat may cause deformation in some parts of your product.
 - Turn off the hob before taking the pot, pan etc. from it.
 - Do not leave hot oil on the hob. Pans with hot oil may cause self combustion.
 - Pay attention to your curtains and covers since oil may catch fire while cooking food such as fries.
 - Grease filter must be cleaned at least monthly. Carbon filter must be replaced at least every 3 months.

1 Important safety and environmental instructions

- Product shall be cleaned accordance with user manual. If cleaning was not carried out in accordance with user manual, there may be fire risk.
 - Do not use non-fire-resistant filtering materials instead of the current filter.
 - Only use the original parts or parts recommended by the manufacturer.
 - Do not operate the product without the filter and do not remove the filters while the product is running.
 - In the event of be started any flame, de-energize your product and cooking appliances.
 - In the event of be started any flame, cover the flame and never use water to extinguish.
 - Unplug the appliance before each cleaning and when the appliance is not in use.
 - The negative pressure in the environment should not exceed 4 Pa (4x10 bar) while the hood for electric hob and appliances running on another type of energy but electricity operate simultaneously.
 - In the environment where the appliance is being used, the exhaust of devices running on fuel oil or gas, such as room heater must be absolutely isolated or device must be hermetical type.
 - When connecting the flue, use pipes with a diameter of 120 or 150 mm. Pipe connection must be as short as possible and have as few elbows as possible.
 - Danger of choking! Keep all the packaging materials away from children.
- CAUTION:** Accessible parts may become hot when used with cooking appliances.
- The product outlet must not be connected to air channels that include other smoke.
 - The ventilation in the room may be insufficient when the hood for electric hob is used simultaneously with the devices operating on gas or other fuels (this may not apply to appliances that only discharge the air back into the room).

1 Important safety and environmental instructions

- Objects placed on the product may fall. Do not place any objects on the product.
- Do not flambe under the your product.

WARNING: Before installing the Hood, remove the protective films.

- Never leave high naked flames under the hood when it is in operation
- Deep fat fryers must be continuously monitored during use: overheated oil can burst into flames.

1.2 Compliance with the WEEE Directive and Disposing of the Waste Product:

This product complies with EU WEEE Directive (2012/19/EU). This product bears a classification symbol for waste electrical and electronic equipment (WEEE).



This symbol indicates that this product shall not be disposed with other household wastes at the end of its service life. Used device must be returned to official collection point for recycling

of electrical and electronic devices. To find these collection systems please contact to your local authorities or retailer where the product was purchased. Each household performs important role in recovering and recycling of old appliance. Appropriate disposal of used appliance helps prevent potential negative consequences for the environment and human health.

1.3 Compliance with RoHS Directive

The product you have purchased complies with EU RoHS Directive (2011/65/EU). It does not contain harmful and prohibited materials specified in the Directive.

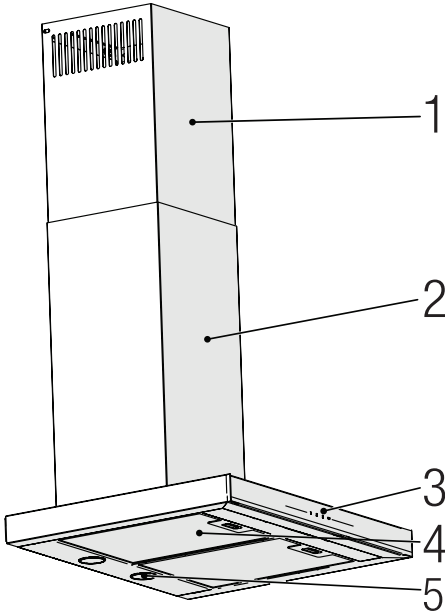
1.4 Package Information



Packaging materials of the product are manufactured from recyclable materials in accordance with our National Environment Regulations. Do not dispose of the packaging materials together with the domestic or other wastes. Take them to the packaging material collection points designated by the local authorities.

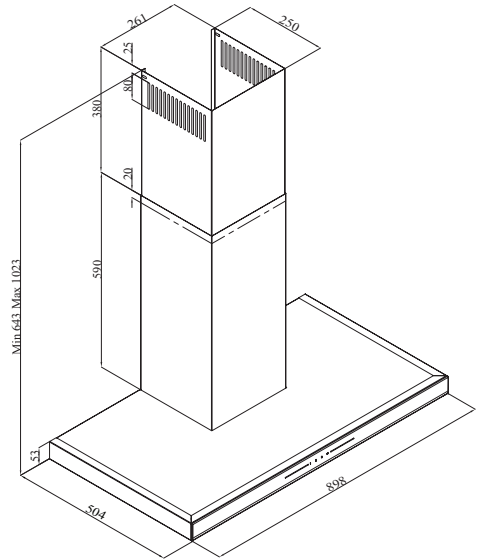
2 General appearance

2.1 Overview



(Figure 1)

1. Inner chimney
2. Outer chimney
3. Control panel
4. Grease filter
5. Lighting



(Figure 2)


BHCB 93640 B
BHCB 93640 BH

2.2 Technical data

Model	BHCB 93640 B	BHCB 93640 BH
Supply voltage & Frequency	220-240V ~ 50 Hz	
Lamp power	2 x 3 W	
Motor power	210 W	
Flow rate – 3. Level	645 m ³ /h	
Insulation class of motor	Class F	
Insulation class	Class I	

3 Operation of the appliance

3.1 Controlling the Appliance

KEY	FUNCTION
 A	
1 B	
2 C	
3 D	
KEY	FUNCTION
A : Light On / Off	You may illuminate the cooking area by pressing this button. Re-press the button to turn off the lamp.
B : 1. Stage Button	Operates the appliance on 1st speed. When you press this button again to turn off the appliance, the screen speed stage turns off.
C : 2. Stage Button	Operates the appliance on 2nd speed. When you press this button again to turn off the appliance, the screen speed stage turns off.
D : 3rd Stage Button	Operates the appliance on 3rd speed. When you press this button again to turn off the appliance, the screen speed stage turns off.

3.2 Energy efficient usage

- When using your appliance, adjust the speed settings according to vapour and odour intensity, in order to save energy.
- Use low speeds (1-2) under normal conditions, and high speed (3) for intense odour and vapour.
- The lamps on the hood are placed for illuminating the cooking area.
- Using them for environmental lighting shall cause unnecessary energy expenditure and insufficient lighting.

3.3 Operating the hood

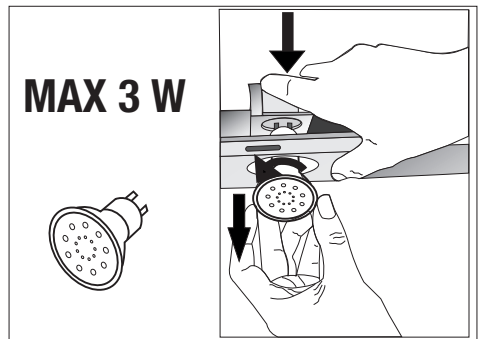
- Your appliance contains a motor that has various speeds.
- For better performance, we recommend using low speeds under normal conditions and high speeds in cases of strong odours and intense vapour.

- You can start your appliance by pressing on the desired speed setting button. (B, C, D)
- You may illuminate the cooking area by pressing the lamp (A).

3.4 Automatic stop

Your appliance has Automatic Stop feature, enabling it to ventilate for a bit more and remove the unwanted odours and vapour inside the environment and turn off automatically after the cooking is done. To enable Automatic Stop feature, press the any speed stage button (B, C, D) on the control panel for longer than 2 seconds; the 15-minute timer function shall be activated. When the automatic stop feature is active, pressing the same speed button shall disable the automatic stop function and the appliance's motor shall stop. This feature is disables when you switch between different speed stages. If you want the appliance to stop automatically, you need to enable the automatic stop feature again.

3.5 Replacement of Lamp




(Figure 3)

Make the electrical connections of the appliance. Your appliance uses 3W spot LED lamp. For replacing the lamps, push downwards on the holder from its behind, turn it counter-clockwise, and take it out downwards. Apply the above operation in re-

3 Operation of the appliance

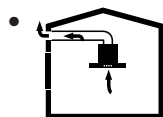
verse to install new lamps (Figure 3).

Bulb	
Bulb Power	3 W
Holder / Socket	GZ 10
Bulb Voltage	220 - 240 V
Size	53 x 50 mm
ILCOS Code	DR/F3-220-240-GZ10-50-53
Luminous flux	260 lm
Correlated colour temperature	3000 K

This product contains a light source of energy efficiency class "F".

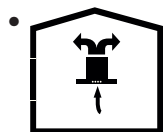
- In flueless use, remove the flaps inside the flue adapter.
- Remove the aluminum grease filter. To install the carbon filter, fit the filter to the tabs by centring it on the plastic piece on both sides of the fan body. tighten it by turning right or left.
- Replace aluminum grease filter.

3.6 Operation with chimney connection



- Vapour is extracted through the flue duct, which is fastened to the connection head on the hood.
- The diameter of the flue duct must be the same as the connection ring. In horizontal settings, the pipe has to have a slight upward slope (around 10°) so that the air can exit the room easily.

3.7 Operation without chimney connection



Air is filtered through the carbon filter and recirculated in the room. Carbon filter is used when it is impossible to use a flue in the house.

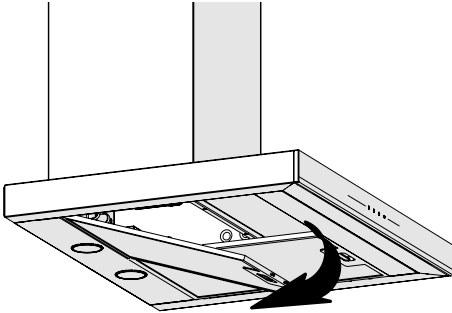
4 Cleaning and maintenance



Before cleaning and maintenance, unplug the product or turn off the switch.

4.1 Cleaning of grease filter

Grease filter is used to retain the oil particles in the air. Grease filter may change colour after repeated cleaning. This is normal, and you do not have to replace your filters.



(Figure 4)

- Push the grease filter lock forward.
- Then pull it slightly down and pull it out (Figure 4). Otherwise, you may bend the filter. Wash and rinse grease filter with liquid detergent and replace grease filter to their seats by carrying out the steps specified above in reverse order. These grease filter are used to retain the oil particles in the air.

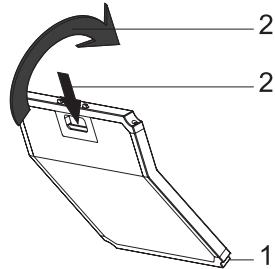


You may also wash the grease filter in the washing machine.



CAUTION: In case of normal use, clean your grease filter once in a month.

4.2 Replacement of Carbon Filters



(Figure 5)

- The appliance you have purchased is appropriate for use with carbon filters.
- Remove the grease filter (Figure 4).
- Place the lower part of the carbon filter to the motor cabinet (Figure 5).
- Press on the tab of the carbon filter and push it forward, and ensure that the tabs of carbon filter are engaged and locked. (Figure 5).
- Attach the grease filter.

CAUTION



- Carbon filter shall never be washed.
- Replace carbon filters once every 3 months.
- You can obtain the carbon filter from the authorized services.

5 Installation of appliance



WARNING: Before starting the installation, read the safety information on User Manual.

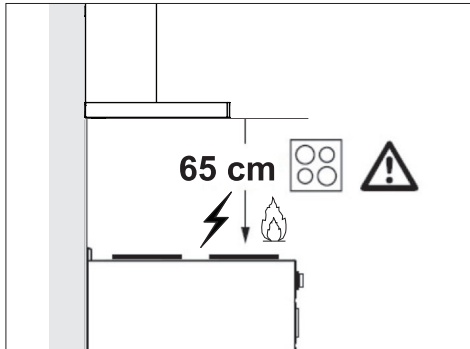


WARNING: Failure to install with screws and stabilizers in accordance with these instructions may result in electric shock.

For the installation of the hood, please contact the nearest Authorized Service.

It is the customer's responsibility to prepare the location and electrical installation of the hood.

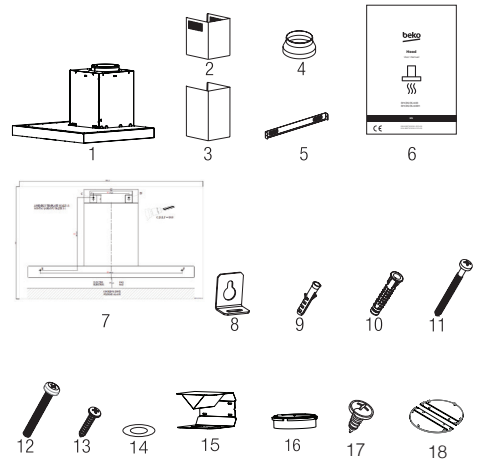
5.1 Position of the Appliance



(Figure 6)

- Distance between the cooker and the cooker hood must be considered prior to assembly. This distance should be 65 cm (Figure 6).
- Distance must be measured from the surface of grate for gas cookers,
- from surface of glass for electric cookers.

5.2 Installation Accessories



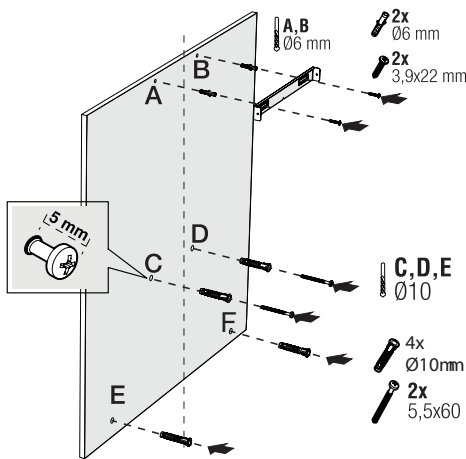
1. Product
2. Inner Chimney
3. Outer Chimney
4. Ø150/120 mm Plastic Flue Adapter
5. Chimney Connection Plate
6. User Manual
7. Assembly Pattern
8. 2x Hanging Plates
9. 2x Ø6mm Plastic Dowel
10. 4x Ø10mm Plastic Dowel
11. 4x 5.5x60 Wall Mount Screw
12. 2x M5x35 Hanging Plate Connection Screw
13. 2x 3.9x22 Chimney Connection Plate Screw
14. 2x M4 Washer
15. Air Baffle
16. Plastic Adapter (Air Diverter)
17. 2x 3.5x9.5 Chimney Connection Plate Screw
18. Chimney Clamp

The information required to make the location suitable for the installation of the hood is given below.

5 Installation of appliance

5.3 Wall Mounting

- Wall must be flat, straight and have the sufficient bearing capacity.
- Depth of drilling holes must comply with the length of bolts.
- The bolts and dowels provided are suitable for brick walls. For other construction material (e.g. drywall, plate, porous concrete), suitable fixing dowels and nuts shall be used.



(Figure 7)



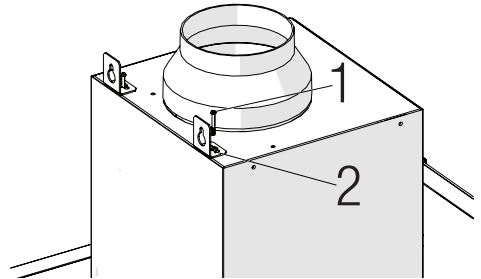
CAUTION: Before drilling, ensure that there are no power, gas or water pipes in the close proximity of the drilling locations.

Draw a mid location line from the ceiling perpendicular to the lower edge of the hood.

Fix the assembly scheme on the wall. For points A and B, take the maximum dimensions of the hood as reference, and drill points A and B you have marked with a Ø6mm drill bit, and tap Ø6mm plastic wall plugs. Install the chimney connection plate to the wall with 2 pieces of 3.9x22 screws (Figure 8).

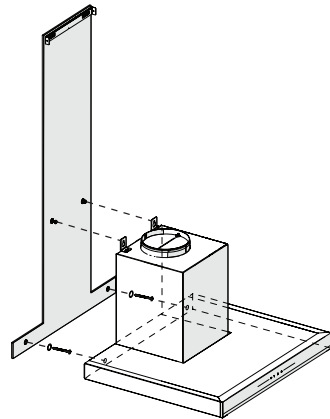
To install the hood body, drill points C, D, E, F specified in the installation template with a Ø10mm drill bit and tap Ø10mm plastic dowels to these points (Figure 8).

Install 2 pieces of 5.5x60 mounting screws to points C and D with a clearance of 5 mm between the screw head and the wall (Figure 8).



(Figure 8)

Install two pieces of hanging plates to the body of the hood with M5x35 mounting screws (Figure 8).



(Figure 9)

Hold the cooker hood by its body and place it on the mounting screws on the wall and tighten the screws (Figure 9).

Install M4 washers to the 5.5x60 suspension screws. Secure the cooker hood with a 5.5x60 screw to the wall through the mounting hole on

5 Installation of appliance

the interior of the appliance (Figure 9).

5.4 Connecting to Chimney

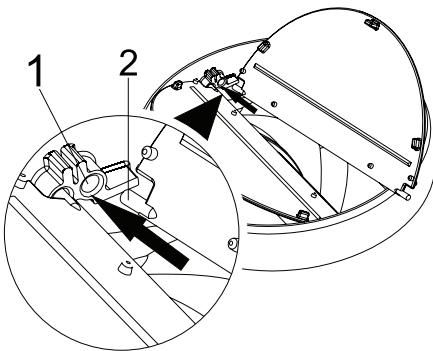
If you are going to use the \varnothing 120/150 mm plastic Chimney adapter, connect one end of the pipe to this adapter, if you are not going to use it, to the direct output on the product. Connect the other end of the pipe to your Chimney. Check that these two connections are tight enough so they will not come out when the appliance runs on full power. Check if the flaps inside the Chimney operate when they are tightened with clamps. Connect the Chimney connection duct outside the adapter (Figure 11/a). If the connection duct is fitted inside the adapter, suction of air shall not occur as the Chimney flap that prevents the return of air will remain closed (Figure 11 / b). The length of the pipe connection as well as the number of elbows must be as minimum as possible.

A : Chimney exit pipe

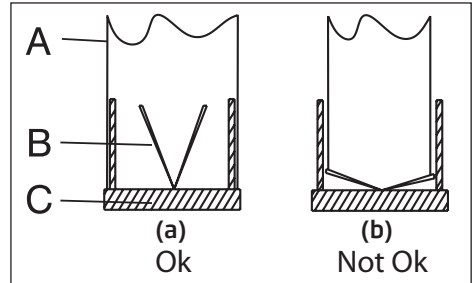
B : Non return flaps

C : Plastic flue

The valves are closed then the appliance is not operating and prevent possible outside odour and dust from entering inside.



(Figure 10)

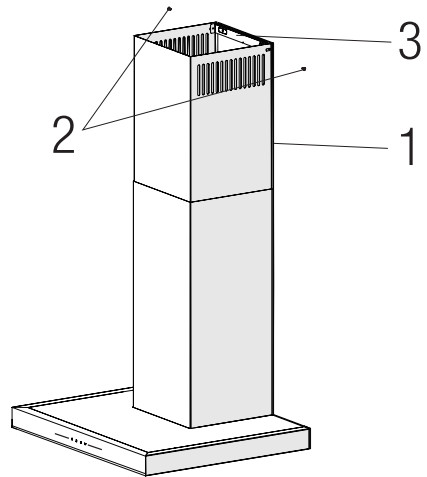


(Figure 11)

5.5 Installation of the Hood to the Chimney

Make the electrical connection of your hood before starting the installation of the Chimney. Slip the Chimney plates around the body.

Install the Chimney plate to the Chimney fastening plate that is secured to the wall from its upper outer edges (Figure 12).



(Figure 12)

1. Inner Chimney

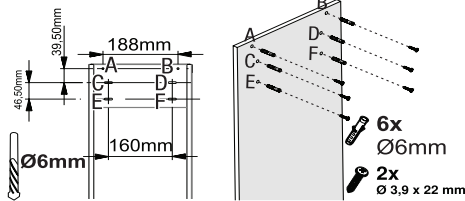
2. 3.5x9.5 Screw

3. Chimney Connection Plate

5 Installation of appliance

5.6 Installation of Air Baffle (BHCB 93640 BH)

While using with the carbon filter, air baffle is provided with your appliance with the aim of re-releasing the air which is cleaned with carbon filter from the perforated located on the Chimney. Assemble the air baffle as below.



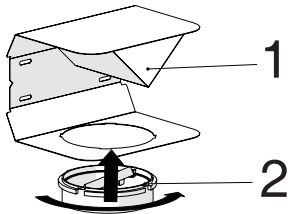
(Figure 13)

There is a tab in the middle of the Chimney connection plate. Place the middle point of this tab on the line that is drawn perpendicular to the wall. Align horizontally and mark the holes where the connection plate will be mounted via a pen (Figure 13/A, B).

Drill the marked points with Ø6mm drill and insert two Ø6mm plastic dowels in the drilled holes (Figure 13/A, B).

Fix the Chimney connection plate to the wall with 3.9x22 screws (Figure 13/A, B).

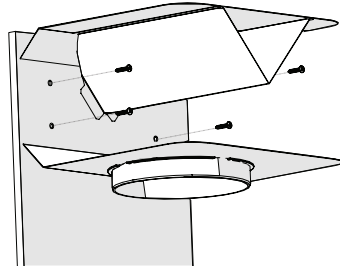
For air baffle assembly, install point C, D, E, F with Ø6mm drill and Ø6mm plastic dowels (Figure 13).



(Figure 14)

1. Air Baffle
2. Plastic Chimney

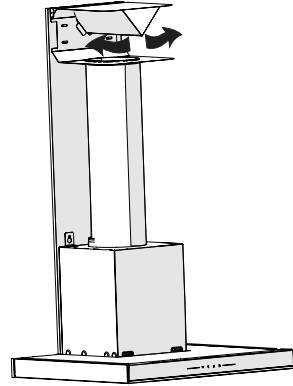
Attach the plastic Chimney adapter, which is included in the package, in the direction of the air baffle. Lock the Chimney adapter by turning it in the direction of the arrow (Figure 14).



(Figure 15)

Assemble the air baffle group with 3.9 x 22 screws from point C, D, E, F that you have already prepared (Figure 13).

Assemble the hood body (Figure 7).



(Figure 16)

1. Aluminium Air Outlet Pipe

Make the air outlet pipe assembly (Figure 16).



Since twists and bends in the aluminium pipe will lead to reduction in the air suction power, avoid using twists and bends as much as possible.

Install the Chimney plates of the hood (Figure 12)

6 Troubleshooting

Troubleshooting	Root cause	Help
Appliance is not working.	Check your fuses.	Fuse may be blown, inspect and restore it.
Appliance is not working.	Check the electrical connection.	Mains voltage shall be between 220 and 240 V.
Appliance is not working.	Check the electrical connection.	Check if other appliance in your kitchen operate.
Illumination light does not operate.	Check the electrical connection.	Mains voltage shall be between 220 and 240 V.
Illumination light does not operate.	Inspect the lamp switch.	Lamp switch shall be at "on" position.
Illumination light does not operate.	Inspect the lamps.	The lamps of the appliance shall illuminate.
Air inlet of the appliance is inadequate.	Inspect the grease filter.	Under normal operating conditions, grease filter shall be cleaned at least once in a month.
Air inlet of the appliance is inadequate.	Check the air discharge chimney.	The air discharge chimney shall be at "on" position.
Air inlet of the appliance is inadequate.	Inspect the carbon filter.	The filters of the appliances with carbon filters shall be replaced once in every 3 months under normal conditions.

Bitte lesen Sie zunächst diese Anleitung!

Sehr geehrte Kundin, sehr geehrter Kunde,


Vielen Dank, dass Sie sich für dieses Gerät der Marke Beko entschieden haben. Wir sind überzeugt, dass Sie mit diesem Gerät, das mit den höchsten Qualitätsanforderungen und modernster Technologie hergestellt wurde, beste Ergebnisse erzielen werden. Bitte lesen Sie die gesamte Bedienungsanleitung und alle anderen Begleitdokumente aufmerksam, bevor Sie das Gerät verwenden; bewahren Sie sie zum künftigen Nachschlagen sicher auf. Wenn Sie das Gerät an jemanden weitergeben, händigen Sie ihm bitte auch diese Anleitung aus. Befolgen Sie die Anweisungen, indem Sie alle Informationen und Warnhinweise in der Bedienungsanleitung beachten.

Bitte denken Sie daran, dass diese Bedienungsanleitung eventuell für mehrere Modelle geschrieben wurde. Unterschiede zwischen den Modellen werden in der Anleitung klar und deutlich beschrieben.

Bedeutung der Symbole

Folgende Symbole werden in den verschiedenen Abschnitten dieser Anleitung verwendet:

	Wichtige Informationen und nützliche Hinweise zur Verwendung.
--	---

	WARNUNG: Warnhinweise zu gefährlichen Situationen im Hinblick auf die Sicherheit von Leib, Leben und Eigentum.
--	---

	Warnung vor Brandgefahr.
--	--------------------------

	Warnung vor Stromschlägen.
--	----------------------------



Dieses Gerät wurde in umweltfreundlichen, modernen Einrichtungen ohne schädliche Auswirkungen auf die Natur hergestellt.

1 Wichtige Sicherheits- und Umwelanweisungen

1.1 Allgemeine Sicherheit

Wichtige Sicherheitsanweisungen sorgfältig lesen und zum künftigen Nachschlagen aufbewahren

Dieser Abschnitt enthält Sicherheitsanweisungen, die beim Schutz vor Personen- und Sachschäden, Bränden, Stromschlägen und dem Austreten von Mikrowellenenergie helfen. Bei Nichtbeachtung dieser Anweisungen erlischt die Gewährleistung.

- Beko-Produkte stimmen mit geltenden Sicherheitsstandards überein; daher sollten Gerät oder Netzkabel zur Vermeidung von Gefahren im Falle von Schäden durch den Händler, ein Kundencenter oder einen spezialisierten, autorisierten Serviceanbieter repariert oder ersetzt werden. Fehlerhafte oder unqualifizierte Reparaturen können Gefahren und Risiken für den Benutzer verursachen.
- Dieses Gerät ist für den Einsatz in Haushalten und ähnlichen Bereichen vorgesehen, wie:

- In Betriebsküchen, Läden, Büros und anderen Arbeitsumgebungen;
- Bauernhöfen;
- Von Gästen in Hotels und anderen Wohnumgebungen;
- Pensionen und Jugendherbergen.
- Das Gerät darf nur für seinen in dieser Anleitung beschriebenen vorgesehenen Zweck verwendet werden.
- Der Hersteller haftet nicht für Schäden, die auf unsachgemäße Installation oder fehlerhaften Gebrauch zurückzuführen sind.
- Das Gerät darf nur dann von Kindern ab 8 Jahren und Personen mit körperlichen oder geistigen Einschränkungen genutzt werden, wenn diese beaufsichtigt werden oder gründlich über den richtigen und sicheren Umgang mit dem Gerät aufgeklärt wurden und sich sämtlicher möglicher Gefahren bewusst sind.

1 Wichtige Sicherheits- und Umwelanweisungen

- Kinder dürfen nicht mit dem Gerät spielen. Reinigungs- und Wartungsarbeiten dürfen nicht unbeaufsichtigt von Kindern ausgeführt werden.
 - Der Abstand zwischen der Stützfläche für Kochgeschirr auf dem Kochfeld und dem niedrigsten Teil der Abzugshaube muss mindestens 65 cm betragen.
 - Falls die Anweisungen zur Installation eines Gasherdes einen größeren Abstand angeben, ist dieser einzuhalten.
 - Stellen Sie sicher, dass Ihre Stromversorgung mit den Angaben am Typenschild des Gerätes übereinstimmt.
 - Benutzen Sie das Gerät niemals, wenn das Netzkabel oder das Gerät selbst beschädigt ist.
 - Vermeiden Sie Schäden am Netzkabel, indem Sie es nicht quetschen, knicken oder über scharfe Kanten ziehen. Halten Sie das Netzkabel von heißen Oberflächen und offener Flamme fern.
 - Verwenden Sie das Gerät nur mit einer geerdeten Steckdose.
- WARNUNG:** Schließen Sie das Gerät erst nach vollständig abgeschlossener Installation an das Stromnetz an.
- Stellen Sie das Gerät so auf, dass der Netzstecker immer zugänglich ist.
 - Berühren Sie die Lampen nicht, falls sie lange Zeit in Betrieb waren. Sie könnten sich die Finger verbrennen, da die Lampen heiß werden.
 - Befolgen Sie die von zuständigen Behörden festgelegten Richtlinien zum Abführen von Abluft (diese Warnung ist bei Einsatz ohne Abzug nicht zutreffend).
 - Nehmen Sie Ihr Gerät erst in Betrieb, nachdem Sie ein Kochgeschirr auf das Kochfeld gestellt haben. Andernfalls könnte hohe Hitze zur Verformung von Teilen Ihres Geräts führen.
 - Schalten Sie die Kochfelder ab, bevor Sie das Kochgeschirr herunternehmen.
 - Lassen Sie kein heißes Öl auf das Kochfeld gelangen. Kochgeschirr mit heißem Öl kann sich selbst entzünden.

1 Wichtige Sicherheits- und Umwelanweisungen

- Achten Sie auf Vorhänge und Abdeckungen, da Öl beim Zubereiten von Lebensmitteln, wie Pommes frites, Feuer fangen kann.
- Der Fettfilter muss mindestens einmal im Monat ersetzt werden. Der Kohlefilter muss mindestens alle 3 Monate ersetzt werden.
- Das Produkt muss entsprechend der Bedienungsanleitung gereinigt werden. Falls die Reinigung nicht entsprechend der Bedienungsanleitung durchgeführt wird, besteht Brandgefahr.
- Verwenden Sie kein nicht feuerbeständiges Filtermaterial anstelle des aktuellen Filters.
- Verwenden Sie nur Originalteile und vom Hersteller empfohlene Teile.
- Verwenden Sie das Gerät nicht ohne Filter. Entfernen Sie die Filter nicht, während das Gerät läuft.
- Sollte sich etwas entzünden, unterbrechen Sie als erstes sofort die Energieversorgung.
- Ersticken Sie ein Feuer mit einer geeigneten Decke oder ähnlich, verwenden Sie zum Löschen niemals Wasser.
- Trennen Sie das Gerät vor jeder Reinigung und bei Nichtbenutzung von der Stromversorgung.
- Der Unterdruck in der Umgebung darf 4 Pa (4 x 10 bar) nicht überschreiten, während die Dunstabzugshaube für das elektrische Kochfeld und Geräte mit einer anderen Energiequelle als Strom gleichzeitig laufen.
- Falls sich ein mit Heizöl oder Brenngasen betriebenes Gerät, z. B. Heizungen, in der Nähe der Dunstabzugshaube befindet, muss die Abluft dieses Gerätes vollständig getrennt abgeführt werden oder es muss hermetisch sein.
- Verwenden Sie zum Anschluss des Abzugs Rohre mit einem Durchmesser von 120 oder 150 mm. Der Rohranschluss muss möglichst kurz sein und sollte möglichst wenige Biegungen aufweisen.

1 Wichtige Sicherheits- und Umwelanweisungen

• **Verschluckungsgefahr!**

Halten Sie alle Verpackungsmaterialien von Kindern fern.

ACHTUNG: Zugängliche Teile können bei Verwendung mit Kochgeräten heiß werden.

- Der Auslass des Produktes darf nicht an Luftkanäle angeschlossen werden, die auch andere Abluft abführen.
- Die Belüftung im Raum reicht möglicherweise nicht aus, wenn die Abzugshaube für das elektrische Kochfeld gemeinsam mit Geräten, die mit Gas oder anderen Kraftstoffen laufen, betrieben wird (dies trifft möglicherweise nicht auf Geräte zu, die die Luft zurück in den Raum abgeben).
- Auf dem Produkt platzierte Gegenstände könnten herunterfallen. Stellen Sie keine Gegenstände auf das Produkt.
- Flambieren Sie nicht unter dem Gerät.

WARNUNG: Entfernen Sie vor Installation der Dunstabzugshaube die Schutzfolien.

- Achten Sie darauf, dass niemals hohe offene Flammen unter der Dunstabzugshaube entstehen, wenn diese in Betrieb ist.
- Fritteusen müssen während der Benutzung kontinuierlich überwacht werden; überhitztes Öl kann Feuer fangen.

1.2 Ihre Pflichten als Endnutzer



Dieses Produkt erfüllt die Vorgaben der EU-WEEE-Direktive (2012/19/EU). Das Produkt wurde mit einem Klassifizierungssymbol für elektrische und elektronische Altgeräte (WEEE)

gekennzeichnet.

Dieses Elektro- bzw. Elektronikgerät ist mit einer durchgestrichenen Abfalltonne auf Rädern gekennzeichnet. Das Gerät darf deshalb nur getrennt vom unsortierten Siedlungsabfall gesammelt und zurückgenommen werden. Es darf somit nicht in den Hausmüll gegeben werden. Das Gerät kann z.B. bei einer kommunalen Sammelstelle oder ggf. bei einem Vertreiber (siehe unten zu deren Rücknahmepflichten in Deutschland) abgegeben werden.

Das gilt auch für alle Bauteile, Unterbaugruppen und Verbrauchsmaterialien des zu entsorgenden Altgeräts.

Bevor das Altgerät entsorgt werden darf, müssen alle Altbatterien und Altakkumulatoren vom Altgerät getrennt werden, die nicht vom Altgerät umschlossen sind. Das gleiche gilt für Lampen, die zerstörungsfrei aus dem Altgerät entnommen werden können. Der Endnutzer ist zudem selbst dafür verantwortlich, personenbezogene Daten auf dem Altgerät zu löschen.

1 Wichtige Sicherheits- und Umwelanweisungen

Die ordnungsgemäße Entsorgung gebrauchter Geräte trägt dazu bei, mögliche negative Folgen für die Umwelt und die menschliche Gesundheit zu vermeiden.

1.3 Hinweise zum Recycling



Helfen Sie mit, alle Materialien zu recyceln, die mit diesem Symbol gekennzeichnet sind. Entsorgen Sie solche Materialien, insbesondere Verpackungen, nicht im Hausmüll, sondern über die bereitgestellten Recyclingbehälter oder die entsprechenden örtlichen Sammelsysteme.

Recyceln Sie zum Umwelt- und Gesundheitsschutz elektrische und elektronische Geräte.

1.4 Rücknahmepflichten der Vertreiber

Wer auf mindestens 400 m² Verkaufsfläche Elektro- und Elektronikgeräte vertreibt oder diese gewerblich an Endnutzer abgibt, ist verpflichtet, bei Abgabe eines neuen Gerätes, ein Altgerät des Endnutzers der gleichen Geräteart, das im Wesentlichen die gleichen Funktionen wie das neue Gerät erfüllt, am Ort der Abgabe oder in unmittelbarer Nähe, unentgeltlich zurückzunehmen. Das gilt auch für Vertreiber von Lebensmitteln mit einer Gesamtverkaufsfläche von mindestens 800 m², die mehrmals im Kalenderjahr oder dauerhaft Elektro- und Elektronikgeräte anbieten und auf dem Markt bereitstellen. Solche Vertreiber müssen zudem auf Verlangen des Endnutzers Altgeräte, die in keiner äußeren Abmessung größer als 25 cm sind, (kleine Elektrogeräte) im Einzelhandelsgeschäft oder in unmittelbarer Nähe hierzu unentgeltlich zurückzunehmen; die Rücknahme darf in diesem Fall nicht an den Kauf eines Elektro- oder Elektronikgerätes verknüpft, kann aber auf drei Altgeräte pro Geräteart beschränkt werden.

Ort der Abgabe ist auch der private Haushalt, wenn das neue Elektro- oder Elektronikgerät dorthin geliefert wird; in diesem Fall ist die Abholung des Altgerätes für den Endnutzer kostenlos.

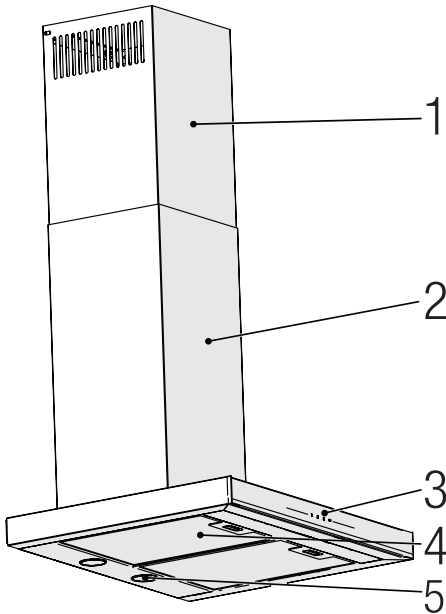
Die vorstehenden Pflichten gelten auch für den Vertrieb unter Verwendung von Fernkommunikationsmitteln, wenn die Vertreiber Lager- und Versandflächen für Elektro- und Elektronikgeräte bzw. Gesamtlager und Versandflächen für Lebensmittel beinhalten, die den oben genannten Verkaufsflächen entsprechen. Die unentgeltliche Abholung von Elektro- und Elektronikgeräten ist dann aber auf Wärmeüberträger (z.B. Kühlschrank), Bildschirme, Monitore und Geräte, die Bildschirme mit einer Oberfläche von mehr als 100 cm² enthalten und Geräte beschränkt, bei denen mindestens eine der äußeren Abmessungen mehr

1.5 Einhaltung von RoHS-Vorgaben

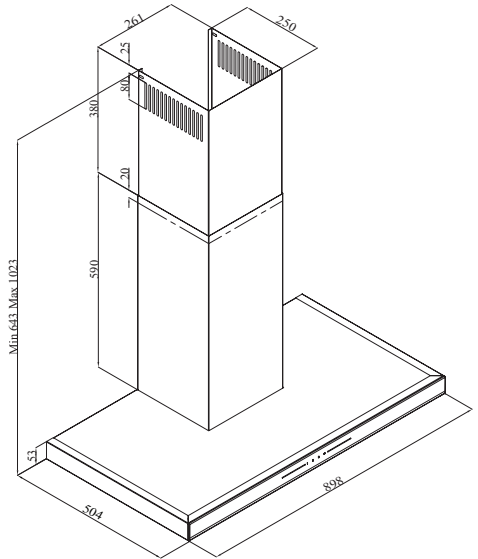
Das von Ihnen erworbene Produkt erfüllt die Vorgaben der EU-RoHS Richtlinie (2011/65/EU). Es enthält keine in der Richtlinie angegebenen gefährlichen und unzulässigen Materialien.

2 Allgemeines Erscheinungsbild

2.1 Maschinenübersicht



(Abbildung 1)



(Abbildung 2)

BHCB 93640 B
BHCB 93640 BH

1. Innerer Schornstein
2. Äußerer Schornstein
3. Bedienfeld
4. Aluminium-Fettfilter
5. Beleuchtung

2.1 Technische Daten

Modell	BHCB 93640 B	BHCB 93640 BH
Versorgungsspannung	220-240V ~ 50 Hz	
Lampenleistung	2 x 3 W	
Motorleistung	210 W	
Fließrate – 3. Stufe	645 m ³ /h	
Isolationsklasse des Motors	Klasse F	
Isolationsklasse	Klasse I	

3 Bedienung des gerätes

3.1 Steuerung des Geräts

 A	1 B	2 C	3 D
SCHLÜSSEL	FUNKTION		
A : Ein-/Aus des Lichts	Durch Drücken dieser Taste können Sie die Kochstelle beleuchten. Drücken Sie die Ein/Aus-Taste erneut, um die Lampe auszuschalten.		
B : 1. Bühne Taste	Betreibt das Gerät mit der 1. Geschwindigkeit. Wenn Sie diese Taste erneut drücken, um das Gerät auszuschalten, wird die Bildschirm-Geschwindigkeitsstufe ausgeschaltet.		
C : 2. Bühne Taste	Betreibt das Gerät mit 2. Geschwindigkeit. Wenn Sie diese Taste erneut drücken, um das Gerät auszuschalten, wird die Bildschirm-Geschwindigkeitsstufe ausgeschaltet.		
D : Bühne 3. Taste	Betreibt das Gerät mit der 3. Geschwindigkeit. Wenn Sie diese Taste erneut drücken, um das Gerät auszuschalten, wird die Bildschirm-Geschwindigkeitsstufe ausgeschaltet.		

3.2 Energieeffiziente Nutzung

- Wenn Sie Ihr Gerät benutzen, passen Sie die Geschwindigkeitseinstellungen je nach Dampf- und Geruchsintensität an, um Energie zu sparen.
- Verwenden Sie niedrige Geschwindigkeiten (1-2) unter normalen Bedingungen und hohe Geschwindigkeiten (3) für intensive Gerüche und Dämpfe.
- Die Lampen der Abzugshaube sind so angebracht, dass sie den Herdbereich beleuchten.
- Ihr Nutzung für die Beleuchtung der Küche kann zu unnötigen zusätzlichen Stromkosten führen, ohne dass die Raumbeleuchtung ausreichend wäre.

3.2 Bedienung der Abzugshaube

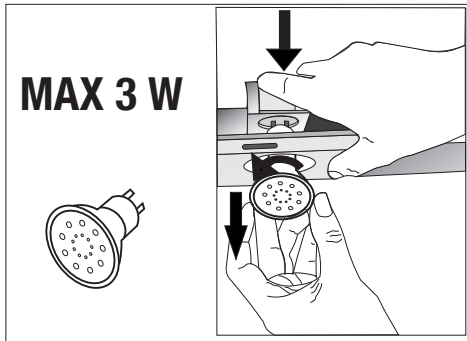
- Ihr Gerät enthält einen Motor, der verschiedene Geschwindigkeiten hat.
- Für eine bessere Leistung empfehlen wir niedrige Geschwindigkeiten unter normalen Bedingungen und hohe Geschwindigkeiten bei starken Gerüchen und intensiven Dämpfen.
- Sie können Ihr Gerät starten, indem Sie auf die Taste für die gewünschte Geschwindigkeitseinstellung drücken. (B, C, D)
- Sie können die Kochstelle beleuchten, indem Sie die Lampe (A) drücken.

3.3 Automatisches Anhalten

Ihr Gerät verfügt über eine automatische Abschaltfunktion, die es ihm ermöglicht, etwas mehr zu lüften und die unerwünschten Gerüche und Dämpfe aus der Umgebung zu entfernen und sich nach Beendigung des Garvorgangs automatisch auszuschalten. Um die automatische Abschaltfunktion zu aktivieren, drücken Sie eine beliebige Geschwindigkeitsstufentaste (A, B, C) auf dem Bedienfeld länger als 2 Sekunden; die 15-Minuten-Timerfunktion muss aktiviert werden. Wenn die automatische Abschaltfunktion aktiv ist, wird durch Drücken der gleichen Geschwindigkeitstaste die automatische Abschaltfunktion deaktiviert und der Motor des Geräts angehalten. Diese Funktion ist deaktiviert, wenn Sie zwischen verschiedenen Geschwindigkeitsstufen wechseln. Wenn Sie möchten, dass das Gerät automatisch stoppt, müssen Sie die automatische Abschaltfunktion wieder aktivieren.


3 Bedienung des gerätes

3.4 Auswechseln der Lampe



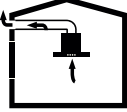
(Abbildung 3)

Stellen Sie die elektrischen Anschlüsse des Geräts her. Ihr Gerät verwendet eine 3W LED-Punktleuchte. Zum Auswechseln der Lampen drücken Sie die Fassung von hinten nach unten, drehen Sie sie gegen den Uhrzeigersinn und nehmen Sie sie nach unten heraus. Wenden Sie den obigen Vorgang in umgekehrter Reihenfolge an, um neue Lampen einzubauen (Abbildung 3).

Glühbirne	
Leistung der Lampe	3 W
Halter / Sockel	GZ 10
Die Spannung der Glühbirne	220 - 240 V
Größe	53 x 50 mm
PIN-Code	DR/F3-220-240-GZ10-50-53
Lichtstrom	260 lm
Korrelierte Farbtemperatur	3000 K

Dieses Produkt enthält eine Lichtquelle der Energieeffizienzklasse "F".

3.5 Verwendung mit Abluftkanalanschluss

-  Der Dampf wird durch das Abluftrohr, der am Anschlusskopf der Abzugshaube auf dem Herd befestigt ist, abgesaugt.
- Der Durchmesser des Abluftrohrs muss dem Durchmesser des Anschlussrings entsprechen. Bei horizontaler Anordnung muss das Rohr ein leichtes Gefälle (ca. 10°) nach oben haben, damit die Luft leicht aus dem Raum austreten kann.

3.6 Verwendung ohne Abluftkanalanschluss

-  Die Luft wird durch den Kohlefilter gefiltert und im Raum rezirkuliert. Der Kohlefilter wird verwendet, wenn es unmöglich ist, einen Rauchabzug im Haus zu benutzen.
- Im rauchgaslosen Betrieb sind die Klappen im Inneren des Rauchgasadapters zu entfernen.
- Entfernen Sie den Fettfilter. Zum Einbau des Kohlefilters den Filter auf die Laschen aufsetzen, indem Sie ihn auf dem Kunststoffteil auf beiden Seiten des Gebläsegehäuses zentrieren. durch Rechts- oder Linksdrehung festziehen.
- Fettfilter ersetzen.

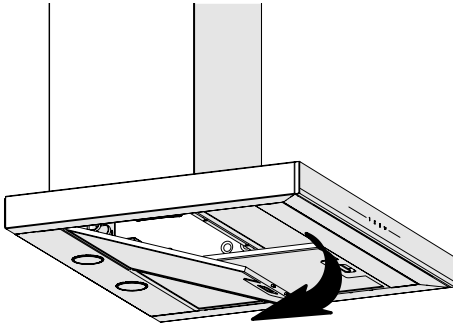
4 Reinigung und Instandhaltung



Ziehen Sie vor der Reinigung und Wartung den Netzstecker oder schalten Sie den Schalter aus.

4.1 Reinigung von Aluminium-Fettfilter

Der Aluminium-Fettfilter dient dazu, die Ölpartikel in der Luft zurückzuhalten. Aluminium-Fettfilter können nach wiederholter Reinigung ihre Farbe ändern. Dies ist normal, und Sie müssen Ihre Filter nicht austauschen.



(Abbildung 4)

- Drücken Sie den Aluminium-Fettfilterverschluss nach vorne.
- Ziehen Sie ihn dann leicht nach unten und ziehen Sie ihn heraus (Abbildung 4). Andernfalls können Sie den Filter verbiegen. Waschen und spülen Sie Aluminium-Fettfilter mit flüssigem Reinigungsmittel und ersetzen Sie Aluminium-Fettfilter bis zu ihren Sitzen, indem Sie die oben angegebenen Schritte in umgekehrter Reihenfolge durchführen. Diese Aluminium-Fettfilter dienen dazu, die Ölpartikel in der Luft zurückzuhalten.

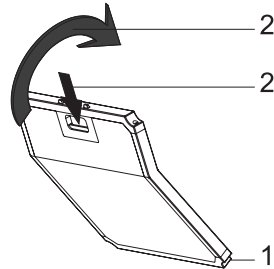


Sie können die Aluminium-Fettfilter auch in der Waschmaschine waschen.



VORSICHT: Reinigen Sie Ihren Aluminium-Fettfilter bei normalem Gebrauch einmal im Monat.

4.2 Austausch des Kohlefilters



(Abbildung 5)

- Das von Ihnen gekaufte Gerät eignet sich für die Verwendung zusammen mit Aktivkohlefiltern.
- Entfernen Sie den Aluminium-Fettfilter (Abbildung 4).
- Legen Sie den unteren Teil des Kohlefilters in den Motorschrank (Abbildung 5).
- Drücken Sie auf die Riegel des Kohlefilters und drücken Sie sie nach vorne, und stellen Sie sicher, dass die Riegel des Kohlefilters eingesteckt und verriegelt sind. (Abbildung 5).
- Bringen Sie den Aluminium-Fettfilter an.



VORSICHT

- Kohlefilter dürfen niemals gewaschen werden.
- Ersetzen Sie die Kohlefilter einmal alle 3 Monate.
- Sie können den Kohlefilter bei den autorisierten Diensten beziehen.

5 Installation des Geräts



WARNUNG: Lesen Sie vor Beginn der Installation die Sicherheitshinweise im Benutzerhandbuch.

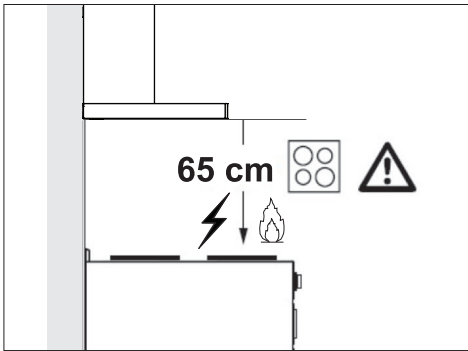


WARNUNG: Wird die Installation mit Schrauben und Stabilisatoren nicht in Übereinstimmung mit diesen Anweisungen durchgeführt, kann dies zu einem elektrischen Schlag führen.

Für die Installation der Abzugshaube wenden Sie sich bitte an den nächstgelegenen autorisierten Service.

Es liegt in der Verantwortung des Kunden, den Standort und die elektrische Installation der Abzugshaube vorzubereiten.

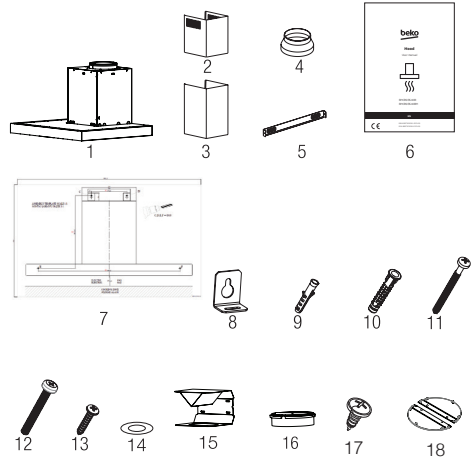
5.1 Positionierung des Geräts



(Abbildung 6)

- Der Abstand zwischen dem Herd und der Abzugshaube muss vor der Montage berücksichtigt werden. Dieser Abstand sollte 65 cm betragen (Abbildung 6).
- Der Abstand muss bei Gasherden von der Oberfläche des Rostes,
- bei Elektroherden von der Oberfläche des Glases gemessen werden.

5.2 Installationszubehör



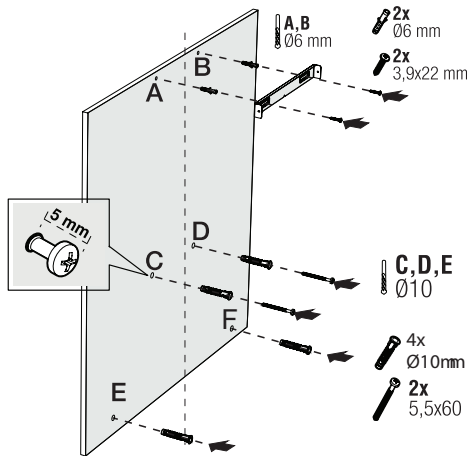
1. Produkt
2. Innerer Abluftkanal
3. Äußerer Abluftkanal
4. Ø150/120mm Abluftkanaladapter
5. Verbindungsplatte des Abluftkanals
6. Benutzerhandbuch
7. Montageschema
8. 2x Hängende Platten
9. 2x Ø6mm Kunststoff-Dübel
10. 4x Ø10mm Kunststoff-Dübel
11. 4x 5,5x60 Schraube für Wandmontage
12. 2x M5x35 Hängeplatten-Verbindungsschraube
13. 2x 3,9x22 Schraube für Verbindungsplatte des Rauchabzugs
14. 2x M4 Unterlegscheibe
15. Luftleitblech
16. Kunststoffadapter (Luftumlenker)
17. 2x 3,5x9,5 Schornstein-Anschlussplattenschraube
18. Schornsteins Klemme

Die Informationen, die erforderlich sind, um den Standort für die Installation der Abzugshaube geeignet zu machen, sind nachstehend aufgeführt.

5 Installation des Geräts

5.2 Wandmontage

- Die Wand muss eben und gerade sein sowie über ausreichende Tragkraft verfügen.
- Die Tiefe der Bohrung muss der Schraubenlänge entsprechen.
- Die mitgelieferten Bolzen und Dübel sind für Ziegelwände geeignet. Für andere Baustoffe (z.B. Trockenbauwände, Platten, Porenbeton) sind geeignete Befestigungsdübel und Muttern zu verwenden.



(Abbildung 7)

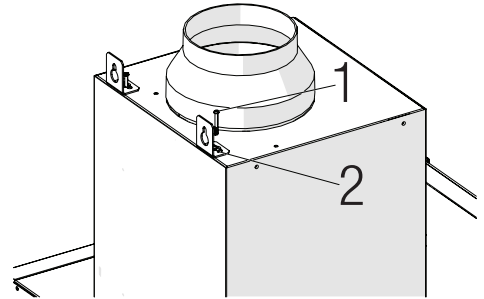
VORSICHT: Stellen Sie vor dem Bohren sicher, dass sich keine Strom-, Gas- oder Wasserleitungen in der Nähe der Bohrstellen befinden.

Zeichnen Sie eine mittlere Positionslinie von der Decke senkrecht zur Unterkante der Abzugshaube. Befestigen Sie das Montageschema an der Wand. Nehmen Sie für die Punkte A und B die maximalen Abmessungen der Abzugshaube als Referenz und bohren Sie die Punkte A und B, die Sie markiert haben, mit einem $\text{Ø}6$ mm Bohrer und Gewindebohrern $\text{Ø}6$ mm Kunststoffdübeln.

Befestigen Sie die Abluftkanalplatte mit 2 Stück Schrauben $3,9 \times 22$ an der Wand (Abbildung 8).

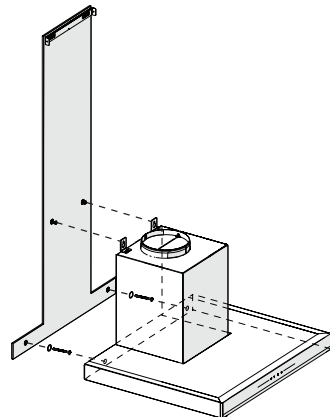
Zur Installation der Abzugshaube bohren Sie die in der Installationsschablone angegebenen Punkte C, D, E, F mit einem $\text{Ø}10$ mm Bohrer und schneiden Sie $\text{Ø}10$ mm Kunststoffdübel auf diese Punkte (Abbildung 8).

Installieren Sie 2 Stück Befestigungsschrauben $5,5 \times 60$ an den Punkten C und D mit einem Abstand von 5 mm zwischen Schraubenkopf und Wand (Abbildung 8).



(Abbildung 8)

Befestigen Sie zwei Stück Aufhängeplatten mit $M5 \times 35$ Befestigungsschrauben am Körper der Abzugshaube (Abbildung 9).



(Abbildung 9)

5 Installation des Geräts

Halten Sie die Abzugshaube an ihrem Körper fest, setzen Sie sie auf die Befestigungsschrauben an der Wand und ziehen Sie die Schrauben fest (Abbildung 9).

2x M4 Unterlegscheibe Befestigen Sie die Abzugshaube mit einer Schraube 5,5x60 an der Wand durch das Montageloch auf der Innenseite des Geräts (Abbildung 9).

5.4 Anschließen des Schornsteins

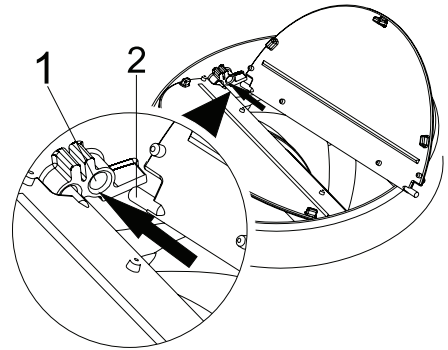
Wenn Sie den \varnothing 120/150 mm Kunststoff-Schornsteinadapter verwenden wollen, schließen Sie ein Ende des Rohrs an diesen Adapter an, wenn Sie ihn nicht verwenden wollen, an den direkten Ausgang am Produkt. Schließen Sie das andere Ende des Rohrs an Ihren Schornstein an. Prüfen Sie, ob diese beiden Anschlüsse fest genug sind, damit sie sich nicht lösen, wenn das Gerät mit voller Leistung läuft. Prüfen Sie, ob die Klappen im Inneren des Schornsteins funktionieren, wenn sie angezogen sind mit Klemmen festgezogen werden. Schließen Sie den Schornstein-Anschlusskanal außerhalb des Adapters an (Abbildung 11/a). Wenn der Abluftkanal im Innern des Adapters angebracht ist, darf keine Luft angesaugt werden, da die Schornstein-Klappe, die die Rückführung der Luft verhindert, geschlossen bleibt (Abbildung 11/b). Die Länge der Rohrleitung und Zahl der Bogenstücke sollten dabei so gering wie möglich sein.

A : Schornstein-Ausgangsrohr

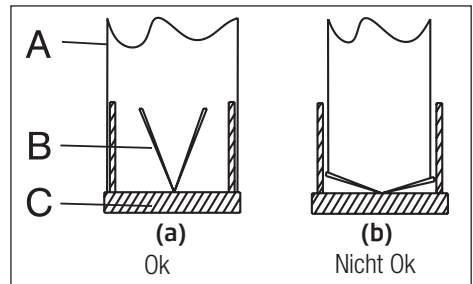
B : Klappen ohne Rücklauf

C : Kunststoffschornstein

Die Ventile sind dann geschlossen, wenn das Gerät nicht in Betrieb ist, und verhindern, dass möglicher Außengeruch und Staub ins Innere gelangen.



(Abbildung 10)



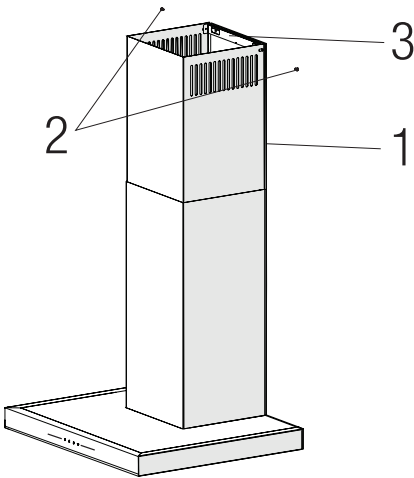
(Abbildung 11)

5.5 Einbau der Abzugshaube in den Schornstein

Nehmen Sie den elektrischen Anschluss Ihrer Abzugshaube vor Beginn der Installation des Schornsteins vor. Schieben Sie die Schornsteinplatten um den Körper.

Bringen Sie die Schornsteinplatte an der Schornsteinbefestigungsplatte an, die von den oberen Außenkanten her an der Wand befestigt ist (Abbildung 12).

5 Installation des Geräts

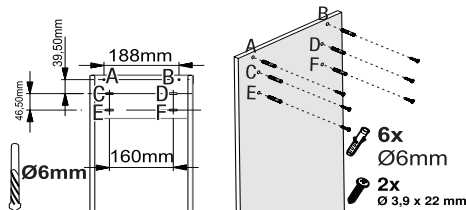


(Abbildung 12)

1. Innerer Schornstein
2. 3,5x9,5 Schraube
3. Schornstein-Anschlussplatte

5.6 Einbau eines Luftleitblechs (BHCB 93640 BH)

Bei der Verwendung mit dem Kohlefilter wird ein Luftleitblech mit Ihrem Gerät mitgeliefert, um die mit dem Kohlefilter gereinigte Luft wieder aus der am Abluftkanal befindlichen Perforation freizusetzen. Montieren Sie das Luftleitblech wie unten beschrieben.



(Abbildung 13)

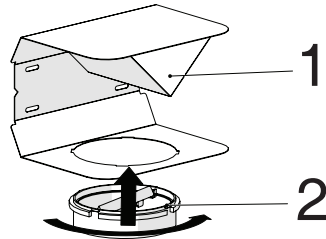
In der Mitte der Abluftkanalplatte befindet sich eine Lasche. Platzieren Sie den Mittelpunkt dieser Registerkarte auf der Linie, die senkrecht zur

Wand gezeichnet wird. Richten Sie sie horizontal aus und markieren Sie mit einem Stift die Löcher, an denen die Anschlussplatte montiert werden soll (Abbildung 13/A, B).

Bohren Sie die markierten Punkte mit einem Ø6mm-Bohrer und setzen Sie zwei Ø6mm-Kunststoffdübel in die gebohrten Löcher ein (Abbildung 13/A, B).

Befestigen Sie die Abluftkanalplatte mit Stück Schrauben 3,9x22 an der Wand (Abbildung 13/A, B).

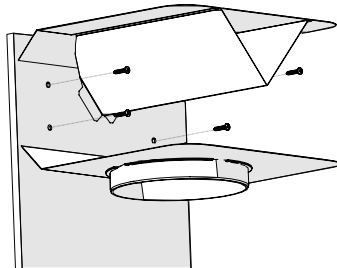
Für die Montage des Luftleitblechs installieren Sie die Punkte C, D, E, F mit einem Ø6mm-Bohrer und Ø6mm-Kunststoffdübeln (Abbildung 13).



(Abbildung 14)

1. Luftleitblech
2. Kunststoff-Abluftkanal

Befestigen Sie den im Paket enthaltenen Kunststoff Abluftkanaladapter in Richtung des Luftleitblechs. Verriegeln Sie den Abluftkanaladapter, indem Sie ihn in Pfeilrichtung drehen (Abbildung 14).

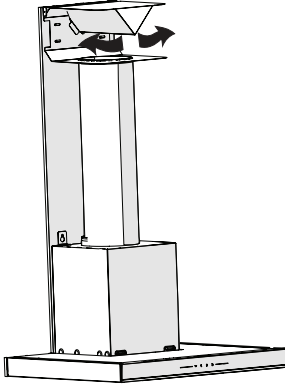


(Abbildung 15)

5 Installation des Geräts

Montieren Sie die Luftleitblechgruppe mit 3,9 x 22 Schrauben von Punkt C, D, E, F aus, die Sie bereits vorbereitet haben (Abbildung 13).

Montieren Sie die Abzugshaube (Abbildung 7).



(Abbildung 16)

1. Aluminium-Luftaustrittsrohr

Stellen Sie die Luftauslassrohrbaugruppe her (Abbildung 16).



Da Verdrehungen und Biegung im Aluminiumrohr zur Verminderung der Ansaugleistung führen, sind diese soweit wie möglich zu vermeiden.

Installieren Sie die Abluftkanalplatten der Abzugshaube (Abbildung 12)

6 Fehlerbehebung

Fehlerbehebung	Grund	Hilfe
Das Produkt funktioniert nicht.	Überprüfen Sie Ihre Sicherung	Ihre Sicherung könnte geschlossen sein, sorgen Sie dafür, dass sie funktioniert.
Das Produkt funktioniert nicht.	Überprüfen Sie die elektrische Verbindung.	Die Netzspannung sollte zwischen 220-240V liegen.
Das Produkt funktioniert nicht.	Überprüfen Sie die elektrische Verbindung.	Überprüfen Sie, ob die anderen Produkte in Ihrer Küche funktionieren oder nicht.
Die Beleuchtung Lampe funktioniert nicht.	Überprüfen Sie die elektrische Verbindung.	Die Netzspannung sollte zwischen 220-240V liegen.
Die Beleuchtung Lampe funktioniert nicht.	Überprüfen Sie den Lampen schalter.	Der Lampenschalter sollte sich in der Position "Ein/on" befinden.
Die Beleuchtung Lampe funktioniert nicht.	Überprüfen Sie die Lampen.	Die Lampen des Produkts sollten nicht defekt sein.
Die Luftzufuhr des Produkts ist schlecht.	Prüfen Sie den Aluminiumfilter.	Der Aluminium-Ölfilter sollte unter normalen Bedingungen mindestens einmal im Monat gereinigt werden.
Die Luftzufuhr des Produkts ist schlecht.	Überprüfen Sie den Abluftkamin.	Der Entlüftungskanal sollte sich in der "Ein" Stellung befinden.
Die Luftzufuhr des Produkts ist schlecht.	Überprüfen Sie den Kohlefilter.	Bei Produkten mit Kohlefilter sollte der Filter normalerweise alle 3 Monate gewechselt werden.

Garantiebedingungen

Anschritt:

Beko Grundig Deutschland GmbH
Thomas-Edison-Platz 3
D-63263 Neu-Isenburg

Kundendienst-Tel.: 06102-86 86 891

Fax: 01805-414 400 *

E-Mail: Kundendienst@beko.com

Ersatzteile-Tel.: 01805-242 515 *

Fax: 01805-345 001*

E-Mail: ersatzteile@beko.com

Sehr geehrte Kundin, sehr geehrter Kunde,

wir gratulieren Ihnen zum neuen Gerät der Marke Beko und wünschen Ihnen viel Freude daran. Sollten Sie dennoch einmal einen Grund zu einer Reklamation erkennen, dann wenden Sie sich bitte an unseren Kundendienst. Geben Sie im Falle einer Störung Ihre genaue Anschrift, Telefonnummer und den GERÄTETYP (vom Typenschild des Gerätes) an.

Hinweis für Kühl- und Gefriergeräte, Achtung!

Um voll funktionsfähig zu sein, benötigt Ihr Gerät nach dem Transport ca. 24 Stunden, in denen sich das Kühlmittel stabilisiert. Sofern es nicht vermeidbar ist und Sie das Gerät sofort nach Aufstellung mit Gefriergut bestücken wollen, müssen Sie damit rechnen, dass die rote Lampe bis zur Stabilisierung des Kühlkreislaufs aufleuchtet. Die Kühlleistung beginnt jedoch vom Augenblick des Anschlusses an sich auf zu bauen.

Die Garantiezeit beträgt 24 Monate ab Kaufdatum.

Bedingungen:

Dieses Gerät wurde nach den modernsten Methoden hergestellt und geprüft. Der Hersteller leistet unabhängig von der gesetzlichen Gewährleistungsverpflichtung des Verkäufers / Händlers für die Dauer von 24 Monaten, gerechnet vom Tag des Kaufes, Garantie für einwandfreies Material und fehlerfreie Fertigung.

Der Garantieanspruch erlischt bei Eingriffen durch den Käufer oder durch Dritte, die vom Hersteller nicht für den Service autorisiert sind oder wenn das Gerät zu gewerblichen Zwecken eingesetzt wird. Schäden die durch unsachgemäße Behandlung oder Bedienung, durch falsches Aufstellen oder Aufbewahren, durch unsachgemäßen Anschluss, oder fehlerhafte Installationen sowie durch höhere Gewalt oder sonstige äußere Einflüsse entstehen, fallen nicht unter die Gewährleistung.

Abhilfemöglichkeiten:

Wir behalten uns vor, bei Reklamationen die defekten Teile auszubessern oder zu ersetzen oder das Gerät auszutauschen. Ausgetauschte Teile oder ausgetauschte Geräte gehen in unser Eigentum über. Nur wenn durch Nachbesserung(en) oder Umtausch des Gerätes die herstellereitig vorgesehene Nutzung endgültig nicht zu erreichen sein sollte, kann der Käufer aus Gewährleistung innerhalb von 24 Monaten, gerechnet vom Tag des Kaufes, Herabsetzung des Kaufpreises oder Aufhebung des Kaufvertrages verlangen. Nachbesserungen verlängern nicht die Gewährleistungszeit. Schadenersatzansprüche, auch hinsichtlich Folgeschäden, sind, soweit sie nicht auf Vorsatz oder grober Fahrlässigkeit beruhen, ausgeschlossen.

Bei unnötiger oder unberechtigter Beanspruchung des Kundendienstes berechnet dieser Zeit- und Wegeentgelt. Reklamationen sind unmittelbar nach Feststellung zu melden. Der Garantieanspruch ist vom Käufer, durch Vorlage der Kaufquittung, nachzuweisen. Bei Nicht-vorlage ist die Reparatur kostenpflichtig. Eine Rückerstattung – nach späterer Einsendung der Kaufquittung – kann nur innerhalb von einem Monat nach Rechnungsdatum gewährt werden.

**Diese Garantieusage ist gültig innerhalb der Bundesrepublik Deutschland
) 0,14 EUR/Min. aus dem Festnetz der T-Com; Mobilfunk max. 0,42 EUR/Min. (nur für Deutschland)**

¡Lea el manual de usuario antes de utilizar el aparato!




Estimado cliente:

Gracias por elegir un aparato Beko. Esperamos que obtenga los mejores resultados de su aparato, ya que ha sido fabricado con gran calidad y con tecnología de última generación. Por esta razón, le aconsejamos que lea este manual de usuario y todos los demás documentos adjuntos con atención antes de utilizar el aparato y que los guarde para futuras consultas. Si entrega este aparato a otra persona, proporcionele también el manual de usuario. Siga las instrucciones prestando especial atención a toda la información y advertencias incluidas en el manual de usuario.

Recuerde que este manual de usuario también puede servir para otros modelos. En el manual se describen las diferencias entre los modelos explícitamente.

Significado de los símbolos

Los siguientes símbolos se usan en las diversas secciones del presente manual de usuario:

	Información importante y consejos útiles sobre su uso.
	ADVERTENCIA: Advertencias de situaciones peligrosas sobre la seguridad de las personas y la propiedad.
	ADVERTENCIA: Advertencia de peligro de incendio.
	ADVERTENCIA: Advertencia sobre posibles descargas eléctricas.



Este aparato se ha fabricado en plantas de fabricación modernas y que hacen uso de procesos respetuosos con el medio ambiente.

1 Instrucciones importantes para la seguridad y el medio ambiente

1.1 Seguridad general

Lea las instrucciones importantes de seguridad y guárdelas para su futura consulta

Esta sección contiene instrucciones de seguridad que ayudarán a la protección contra los riesgos de incendio, descargas eléctricas, exposición a la energía de microondas, lesiones personales o daño a la propiedad. El incumplimiento de estas instrucciones anulará cualquier tipo de garantía.

- Los productos Beko cumplen con todas las normas de seguridad aplicables; por ello, si el cable o el aparato presentan daños, deberán ser reparados o sustituidos por el distribuidor, un servicio técnico o una persona cualificada y autorizada para evitar cualquier peligro. Los trabajos de reparación deficientes o realizados por personal no cualificado puede ser peligrosos y entrañar riesgos para el usuario.
- Este aparato está destinado al uso doméstico y aplicaciones parecidas, como por ejemplo:

- Cocinas para uso del personal de tiendas, oficinas y otros entornos laborales;
 - Casa rurales;
 - Por clientes en hoteles o cualquier otro tipo de entorno residencial;
 - Entornos de tipo «Habitación y desayuno» (Bed and Breakfast).
- Utilice este aparato únicamente para su uso previsto, tal como se describe en este manual.
 - El fabricante no se hace responsable de los daños provocados por una instalación incorrecta o un uso inapropiado del producto.
 - Este aparato puede ser utilizado por niños mayores de 8 años y por personas con capacidades físicas, sensoriales o mentales reducidas o con falta de experiencia y conocimientos, siempre que estén bajo supervisión o hayan recibido instrucciones pertinentes sobre el uso del aparato de manera segura y comprendan los peligros que conlleva.

1 Instrucciones importantes para la seguridad y el medio ambiente

- No deje que los niños jueguen con el aparato. La limpieza y mantenimiento del usuario no deben ser realizados por niños sin supervisión.
 - La distancia mínima entre la superficie de soporte de los recipientes para cocinar en los fogones y la parte más baja de su aparato debe ser de al menos 65 cm.
 - Si en las instrucciones de instalación de la placa de gas se indica una distancia superior, deberá tenerse en cuenta este hecho.
 - Asegúrese de que la fuente de alimentación cumpla con la información que se indica en la placa de datos del aparato.
 - Nunca utilice el aparato si está dañado el cable de alimentación o el mismo aparato.
 - Evite daños al cable procurando que no sufra tirones, no se doble y no roce con bordes afilados para evitar dañarlo. Mantenga el cable de corriente alejado de superficies calientes y llamas descubiertas.
 - Use el aparato únicamente con un enchufe con toma a tierra.
- ADVERTENCIA:** No conecte el aparato a la red eléctrica antes de que la instalación se haya realizado por completo.
- Coloque siempre el aparato de forma que el enchufe quede a mano.
 - No toque las lámparas si han estado en funcionamiento durante mucho tiempo. Pueden ocasionar quemaduras en las manos ya que estarán calientes.
 - Siga las normas establecidas por las autoridades competentes para la descarga del aire de salida (esta advertencia no es aplicable sin la conexión de la chimenea).
 - Encienda el aparato después de colocar una olla, una sartén, etc, en los fogones. De lo contrario, las altas temperaturas pueden provocar deformaciones en algunas partes del aparato.
 - Apague los fogones antes de retirar las ollas, los sartenes, etc.

1 Instrucciones importantes para la seguridad y el medio ambiente

- No deje aceite caliente en los fogones. Las sartenes con aceite caliente pueden ocasionar auto-combustión.
- Preste atención a las cortinas y los estores, ya que, al cocinar platos como patatas fritas, el aceite puede originar un incendio.
- El filtro antigrasa se debe reemplazar por lo menos una vez al mes. El filtro de carbón se debe reemplazar por lo menos cada 3 meses.
- El producto se debe limpiar siguiendo las instrucciones del manual de usuario. Si la limpieza no se ha llevado a cabo siguiendo el manual de usuario, puede haber riesgo de incendio.
- No use materiales filtrantes que no resistan el fuego en vez del filtro actual.
- Utilice únicamente accesorios originales o bien los que recomienda el fabricante.
- No use el aparato sin el filtro y no retire los filtros mientras el aparato esté en funcionamiento.
- En caso de fuego, desactive su producto y los aparatos de cocina.
- En caso de fuego, cubra la llama y nunca utilice agua para apagarlo.
- Desenchufe el aparato antes de cada limpieza y cuando no esté en uso.
- La presión negativa de la estancia no debe superar los 4 Pa (4 x 10 bar) cuando la campana para una placa eléctrica funcione simultáneamente con dispositivos de otro tipo de energía excepto la electricidad.
- En la estancia en donde se encuentra el aparato, el escape de equipos de combustible o gas, como calefactores, deben ser herméticos o estar absolutamente aislados.
- Para la conexión de la chimenea, use tuberías de 120 o 150 mm de diámetro. La conexión de las tuberías debe ser lo más corta posible y tener la menor cantidad de codos de tubería.

1 Instrucciones importantes para la seguridad y el medio ambiente

- ¡Peligro de descarga eléctrica! Mantenga todos los materiales de embalaje alejados de los niños.

PRECAUCIÓN: Las partes accesibles pueden alcanzar temperaturas elevadas al usarse con cocinas.

- El canal de salida del aparato no debe estar conectado a canales de aire por los que pasan humo.
- La ventilación de la estancia puede ser insuficiente cuando la campana extractora para placas eléctricas se utiliza al mismo tiempo que los aparatos que funcionan con gas u otros combustibles (esto puede no ser aplicable a los aparatos que solamente descargan el aire de nuevo en la estancia).
- Los objetos colocados encima del producto pueden caerse. No coloque ningún objeto encima del aparato.
- No flambear debajo del aparato.

ADVERTENCIA: Antes de instalar la campana, retire las películas protectoras.

- No dejar llamas altas descubiertas debajo de la campana extractora cuando está en funcionamiento
- Las freidoras se deberán vigilar continuamente durante su utilización: el aceite sobrecalentado es inflamable.

1.2 De conformidad con la Directiva RAEE y eliminación del producto al final de su vida útil:

Este producto cumple con la Directiva RAEE de la UE (2012/19/UE). Este producto lleva un símbolo de clasificación de residuos de aparatos eléctricos y electrónicos (RAEE).



Este símbolo indica que este producto no debe eliminarse con otros residuos domésticos al final de su vida útil. El aparato usado debe ser devuelto al punto de recogida oficial para el reciclaje de aparatos eléctricos y electrónicos. Para encontrar estos sistemas de recogida, por favor, póngase en contacto con las autoridades locales o con el distribuidor donde se compró el producto. Cada hogar desempeña un papel importante en la recuperación y el reciclaje de los aparatos viejos. La eliminación adecuada de los aparatos usados ayuda a prevenir las posibles consecuencias negativas para el medio ambiente y la salud humana.

1

Instrucciones importantes para la seguridad y el medio ambiente

1.3 Conformidad con la Directiva RoHS

El producto que ha adquirido cumple con la Directiva RoHS de la UE (2011/65/UE). No contiene materiales peligrosos ni prohibidos especificados en la Directiva.

1.4 Información sobre el embalaje

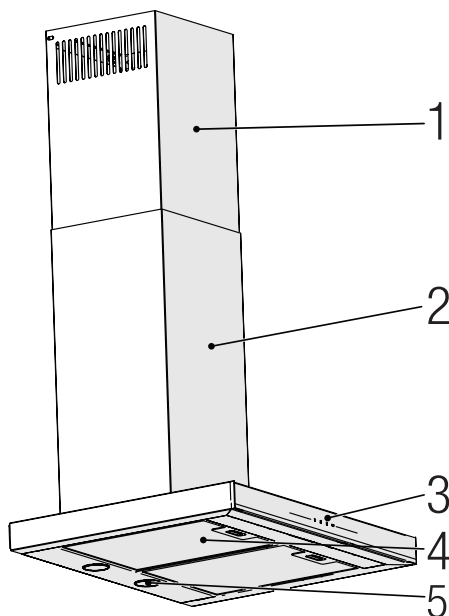


Los materiales de embalaje del producto están fabricados con materiales reciclables de acuerdo con nuestra Normativa Medioambiental Nacional.

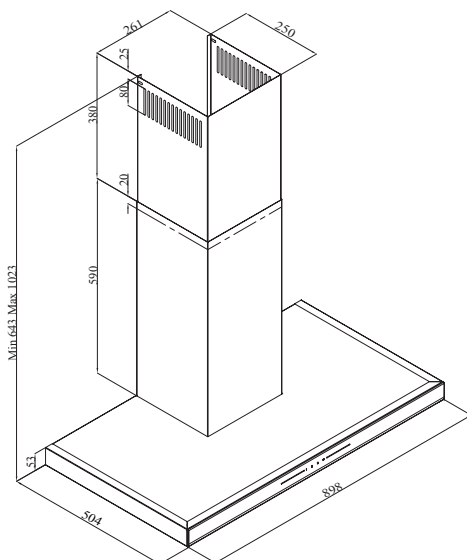
No deseche los materiales de embalaje junto con los residuos domésticos o de otro tipo. Llévelos a los puntos de recogida de material de embalaje designados por las autoridades locales.

2 Apariencia general

2.1 Descripción general



(Imagen 1)



(Imagen 2)

BHCB 93640 B
BHCB 93640 BH





1. Conducto interno
2. Conducto exterior
3. Panel de control
4. Filtros de aceite de aluminio
5. Iluminación de la estufa

2.2 Datos técnicos

Modelo	BHCB 93640 B	BHCB 93640 BH
Tensión de alimentación	220-240V ~ 50 Hz	
Potencia de la lámpara	2 x 3 W	
Potencia del motor	210 W	
Caudal - 3. Nivel	645 m ³ /h	
Clase de aislamiento del motor	Clas F	
Clase de aislamiento	Class I	

3 Funcionamiento del aparato

3.1 Control del aparato

 A	 B	 C	 D
BOTÓN	FUNCIÓN		
A : Luz Encendida / Apagada	Puede iluminar el área de cocción pulsando este botón. Vuelva a pulsar este botón para apagar la lámpara.		
B : 1. Botón de nivel	Hace funcionar el aparato en la primera velocidad. Cuando se pulsa este botón de nuevo para apagar el aparato, el nivel de velocidad de la pantalla se apaga.		
C : 2. Botón de nivel	Hace funcionar el aparato en la segunda velocidad. Cuando se pulsa este botón de nuevo para apagar el aparato, el nivel de velocidad de la pantalla se apaga.		
D : Botón del nivel 3	Hace funcionar el aparato en la tercera velocidad. Cuando se pulsa este botón de nuevo para apagar el aparato, el nivel de velocidad de la pantalla se apaga.		

3.2 Funcionamiento eficiente y ahorro de energía Uso

- Al utilizar su campana, ajuste la velocidad de acuerdo a la cantidad de vapores y olores existentes, para así ahorrar energía.
- Utilice velocidades bajas (1-2) en condiciones normales, y velocidades altas (3) para el olor y el vapor intensos.
- Las lámparas en la campana son colocadas para iluminar la superficie donde se cocina.
- Al usarlas como luces de ambientación se desperdiciará energía innecesariamente y dará una luz insuficiente.

3.3 Instrucciones de funcionamiento

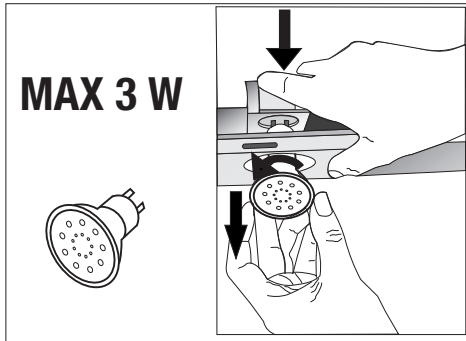
- Su campana contiene un motor con varias velocidades.
- Para un mejor rendimiento, recomendamos utilizar velocidades bajas en condiciones normales y velocidades altas en casos de olores fuertes y vapor intenso.
- Puede iniciar su campana pulsando el botón de la velocidad deseada. (B, C, D)
- Puede iluminar el área de cocción presionando la lámpara (A).

3.4 Parada automática

Su aparato tiene la función de parada automática, que le permite ventilar un poco más y eliminar los olores y vapores indeseados del ambiente, y se apaga automáticamente después de terminar de cocinar. Para activar la función de parada automática, pulse el botón de cualquier nivel de velocidad (B, C, D) en el panel de control durante más de 2 segundos; se activará dicha función con un temporizador de 15 minutos. Cuando la función de parada automática esté activa, al pulsar el mismo botón de velocidad se desactivará la función de parada automática y el motor del aparato se detendrá. Esta función se desactiva cuando se cambia entre los diferentes niveles de velocidad. Si desea que el aparato se detenga automáticamente, debe activar de nuevo la función de parada automática.

3 Funcionamiento del aparato

3.5 Reemplazo de la lámpara



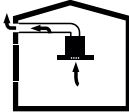
(Imagen 3)

Haga las conexiones eléctricas del aparato. Su aparato utiliza una lámpara LED de 3W. Para cambiar las lámparas, empuje el soporte desde atrás hacia abajo, gírelo en sentido contrario a las agujas del reloj y sáquelo hacia abajo. Haga lo anterior a la inversa para instalar nuevas lámparas (Imagen 3).

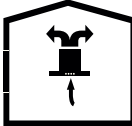
Bombilla	
Potencia de la bombilla	3 W
Soporte / enchufe	GZ 10
Voltaje de la bombilla	220 - 240 V
Tamaño	53 x 50 mm
Código ILCOS	DR/F3-220-240-GZ10-50-53
Flujo luminoso	260 lm
Temperatura de color correlativa	3000 K

Este producto dispone de una fuente luminosa de clase de eficiencia energética "F".

3.6 Funcionamiento con conexión al conducto

-  El vapor se extrae a través del conducto de humos, que está sujeto a la cabeza de conexión en la campana.
- El diámetro del conducto de humos debe ser el mismo que el del anillo de conexión. En los entornos horizontales, el tubo tiene que tener una ligera inclinación hacia arriba (alrededor de 10°) para que el aire pueda salir fácilmente de la habitación.

3.7 Funcionamiento sin conexión al conducto

-  El aire se filtra a través del filtro de carbón y circula en la habitación. El filtro de carbón se utiliza cuando es imposible utilizar un conducto para humos en casa.
- Si el funcionamiento es sin conducto, quite las tapas dentro del adaptador del conducto.
- Retire el filtro de aceite. Para instalar el filtro de carbón, colóquelo en las pestañas centrándolo en la pieza de plástico a ambos lados del cuerpo del ventilador. Apriételo girando a la derecha o a la izquierda.
- Reemplace el filtro de aceite.

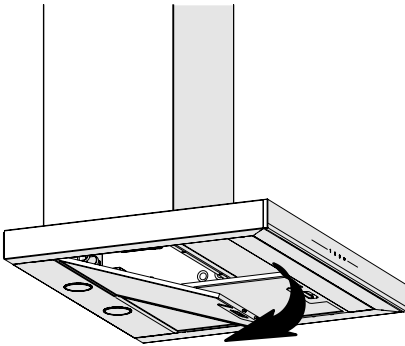
4 Limpieza y mantenimiento



Antes de la limpieza y el mantenimiento, desenchufe el producto o apague el interruptor.

4.1 Limpieza de los filtros de aceite de aluminio

El filtro de aceite de aluminio se utiliza para retener las partículas de aceite en el aire. Los filtros de aluminio pueden cambiar de color después de ser limpiados repetidamente. Esto es normal, y no debe reemplazar sus filtros.



(Imagen 4)

- Empuje el cierre del filtro de aceite de aluminio hacia adelante.
- Luego tire ligeramente hacia abajo y sáquelo (imagen 4). De lo contrario, puede deformar el filtro. Lave y enjuague los filtros de aceite de aluminio con detergente líquido y sustituya los filtros de aceite de aluminio realizando los pasos especificados anteriormente en orden inverso. Estos filtros de aceite de aluminio se utilizan para retener las partículas de aceite en el aire.

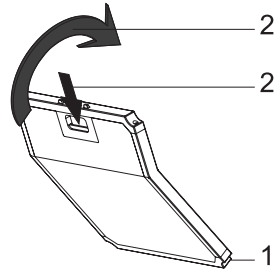


También puede lavar los filtros de aceite de aluminio en la lavadora.



PRECAUCIÓN: En caso de uso normal, limpie su filtro de aceite de aluminio una vez al mes.

4.2 Sustitución de los filtros de carbón



(Imagen 5)

- El aparato que usted ha comprado es apropiado para su uso con filtros de carbón.
- Retire los filtros de aceite de aluminio (Imagen 4).
- Coloque la parte inferior del filtro de carbón en el alojamiento del motor (Imagen 5).
- Pulse en la pestaña del filtro de carbón y empujelo hacia adelante, y asegúrese de que las pestañas del filtro de carbón estén enganchadas y bloqueadas. (Imagen 5).
- Coloque los filtros de aceite de aluminio.

PRECAUCIÓN



- El filtro de carbón nunca será lavado.
- Reemplace los filtros de carbón una vez cada 3 meses.
- Puede obtener el filtro de carbón en los servicios técnicos autorizados.

5 Instalación del aparato



¡ADVERTENCIA: Antes de comenzar la instalación, lea la información de seguridad en el manual de usuario.

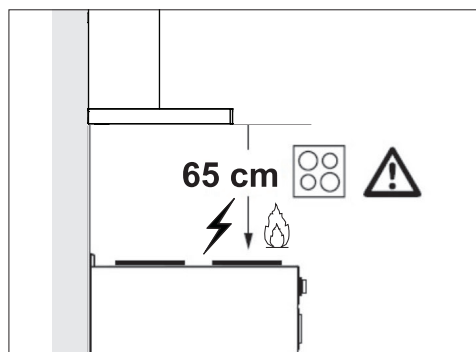


¡ADVERTENCIA: Si no se instalan los tornillos y estabilizadores de acuerdo con estas instrucciones, puede producirse una descarga eléctrica.

Para la instalación de la campana, por favor contacte con el servicio técnico autorizado más cercano.

Es responsabilidad del cliente proveer la ubicación e instalación eléctrica apropiadas para la campana.

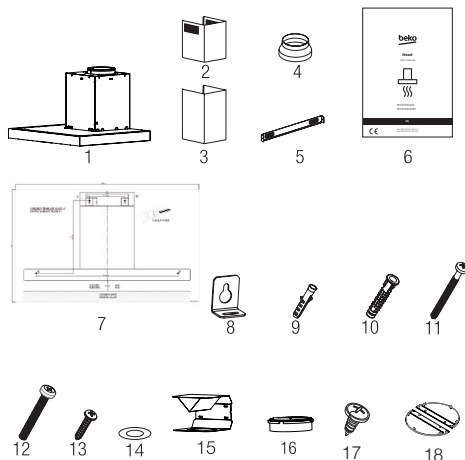
5.1 Posición del aparato



(Imagen 6)

- La distancia entre la cocina y la campana extractora debe ser tenida en cuenta antes del montaje. Esta distancia debe ser de 65 cm (Imagen 6).
- La distancia debe medirse desde la superficie de la rejilla para las cocinas de gas,
- y desde la superficie del vidrio para las cocinas eléctricas.

5.2 Accesorios de instalaciónProducto



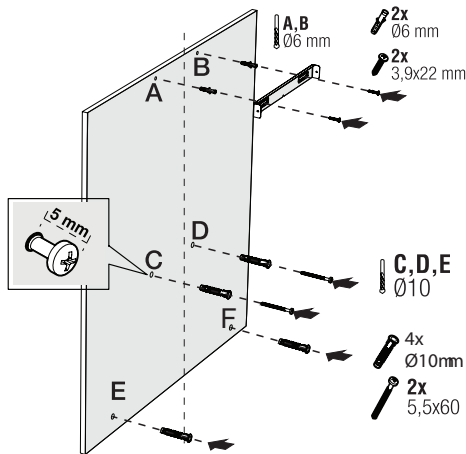
1. Producto
2. Conducto interno
3. Conducto exterior
4. Adaptador de Conducto de Chimenea de $\text{Ø}150/120\text{mm}$
5. Placa de conexión del conducto
6. Manual de Usuario
7. Patrón de ensamblaje
8. 2x Placas de suspensión
9. 2 clavijas de plástico de $\text{Ø}6\text{mm}$
10. 4 taquetes de plástico de $\text{Ø}10\text{mm}$
11. 4 tornillos de montaje para pared de 5.5x60
12. 2x M5x35 Tornillo de conexión de la placa de suspensión
13. 2x 3.9x22 Tornillo de la placa de conexión del conducto
14. 2x M4 Arandela
15. Deflector de aire
16. Adaptador de plástico (deflector de aire)
17. 2x 3.5x9.5 tornillos de la placa de conexión de la chimenea
18. Grapa para chimenea

5 Instalación del aparato

La información necesaria para elegir un lugar adecuado para la instalación de la campana se da a continuación.

5.3 Montaje en la pared

- La pared debe ser plana, recta y tener una capacidad de carga suficiente.
- La profundidad de los agujeros de perforación deben coincidir con la longitud de los pernos.
- Los tornillos y tacos proporcionados son adecuados para paredes de ladrillo. Para otros materiales de construcción (por ejemplo, paneles de yeso, placas, hormigón poroso), se deben utilizar apropiadas clavijas y tuercas de fijación.



(Imagen 7)

PRECAUCIÓN: Antes de perforar, asegúrese de que no existan tuberías de alimentación, gas o agua cerca de las locaciones de perforación.

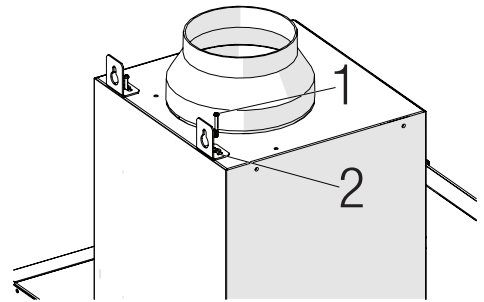
Dibuje una línea perpendicular desde techo hasta al borde inferior de la campana de cocina.

Fije el esquema de montaje a la pared. Para los puntos A y B, tome como referencia las dimensiones máximas de la campana, taladre en os puntos

A y B que ha marcado con una broca de $\text{Ø}6\text{mm}$ y, a continuación, inserte los tacos de plástico de $\text{Ø}6\text{mm}$. Instale la placa de conexión del conducto en la pared con 2 unidades de tornillos de $3,9\text{x}22$ (Imagen 8).

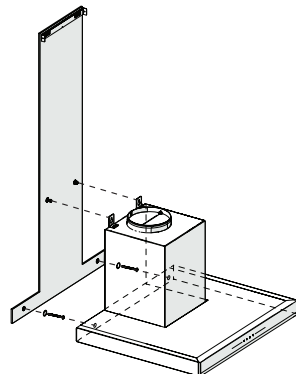
Para instalar el cuerpo de la campana, taladre los puntos C,D,E, F especificados en la plantilla de instalación con una broca de $\text{Ø}10\text{mm}$ e inserte los tacos de plástico de $\text{Ø}10\text{mm}$ en estos puntos (Imagen 8).

Instale 2 tornillos de montaje de $5,5\text{x}60$ en los puntos C y D con un espacio de 5 mm entre la cabeza del tornillo y la pared (Imagen 8).



(Imagen 8)

Instale dos placas de suspensión en el cuerpo de la campana con tornillos de montaje $\text{M}5\text{x}35$ (Imagen 8).



(Imagen 9)

5 Instalación del aparato

Sostenga la campana extractora por su cuerpo y colóquela sobre los tornillos de montaje en la pared y apriete los tornillos (Imagen 9).

Instale arandelas M4 en los tornillos de suspensión de 5.5x60. Fije la campana extractora con un tornillo de 5,5x60 a la pared a través del orificio de montaje en el interior del aparato (Imagen 9).

5.4 Conexión al conducto

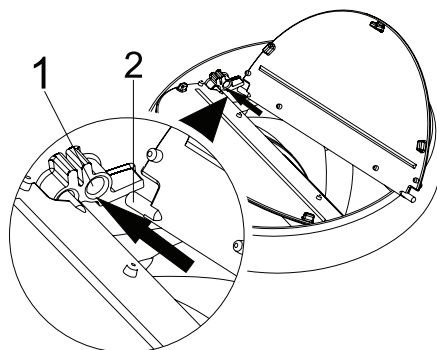
Si va a utilizar el adaptador de plástico para conductos de humos de 120/150 mm de diámetro, conecte un extremo del tubo a este adaptador, si no lo va a utilizar, a la salida directa del producto. Conecte el otro extremo del tubo al conducto de humos. Compruebe que estas dos conexiones están lo suficientemente firmes para que no se aflojen cuando el aparato funcione a plena potencia. Compruebe si las tapas del interior del conducto funcionan cuando se aprietan con las abrazaderas. Conecte la conexión del conducto fuera del adaptador (Imagen 11/a). Si el conducto de conexión está colocado en el interior del adaptador, no se producirá la succión de aire ya que la tapa de salida de humos que impide el retorno del aire permanecerá cerrada (Imagen 11/b). La longitud de la conexión de la tubería, así como el número de codos deben ser de lo mínimo posible.

A : Tubo de salida de humos

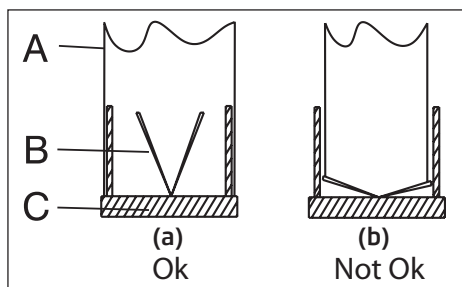
B : Tapas de no retorno

C: Adaptador de escape de plástico

Las válvulas están cerradas y el aparato no funciona, lo que evita que el posible olor exterior y el polvo entren en el interior.



(Imagen 10)



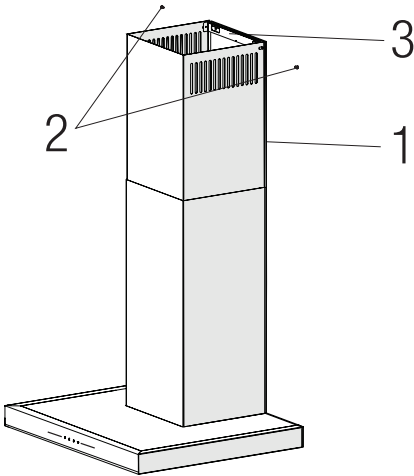
(Imagen 11)

5.5 Instalación de la campana en el conducto

Lleve a cabo la conexión eléctrica de su campana antes de empezar con la instalación del conducto de humos. Deslice las placas del conducto alrededor del cuerpo.

Instale la placa del conducto en la placa de sujeción del conducto que está fijada a la pared por sus bordes exteriores superiores (Imagen 12).

5 Instalación del aparato

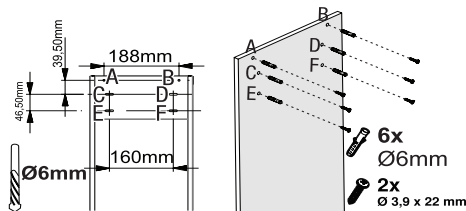


(Imagen 12)

1. Conducto interno
2. 2 tornillos de 2x 3.5x9.5
3. Placa de conexión del conducto

5.6 Instalación del deflector de aire (BHCB 93640 BH)

Si se adquiere la versión con filtro de carbón, el deflector de aire se suministrará con el aparato con el objetivo de volver a liberar el aire que se limpia con el filtro de carbón. Este aire proviene de los orificios situados en el conducto de humo. Monte el deflector de aire como se indica a continuación.



(Imagen 13)

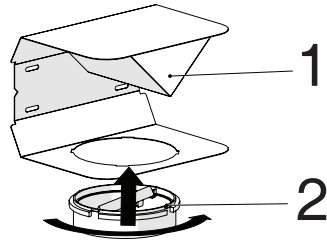
En el medio de la placa de conexión del conducto hay una pestaña.

El punto medio de la pestaña se coloca en la línea perpendicular dibujada en la pared. Alinee horizontalmente y marque los agujeros donde se montará la placa de conexión con un bolígrafo (Imagen 13/A, B).

Taladre los puntos marcados con un taladro de $\text{Ø}6\text{mm}$ e inserte dos tacos de plástico de $\text{Ø}6\text{mm}$ en los agujeros taladrados (Imagen 13/A, B).

Fije la placa de conexión del conducto a la pared con tornillos de 3,9x22 (Imagen 13/A, B).

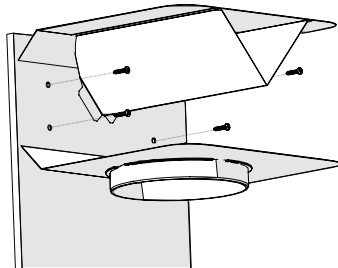
Para el montaje del deflector de aire, perforo el punto C, D, E, F con un taladro de $\text{Ø}6\text{mm}$ e inserte tacos de plástico de $\text{Ø}6\text{mm}$ (Imagen 13).



(Imagen 14)

1. Deflector de aire
2. Conducto de plástico

Coloque el adaptador de plástico para conductos de humos, que se incluye en el paquete, en la misma dirección del deflector de aire. Fije el adaptador del conducto girándolo en la dirección de la flecha (Imagen 14).

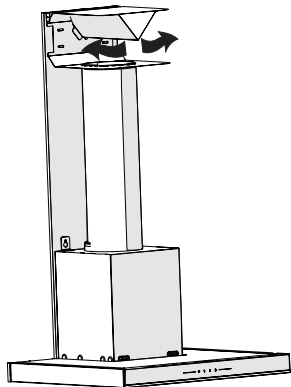


(Imagen 15)

5 Instalación del aparato

Monte el deflector de aire con tornillos de 3,9 x 22 en los puntos C, D, E, F que ya ha preparado anteriormente (Imagen 13).

Monte el cuerpo de la campana (Imagen 7).



(Imagen 16)

1. Tubo de salida de aire de aluminio

Monte el tubo de salida de aire (Imagen 16).



Ya que los giros y curvas del tubo de aluminio conducirán a una reducción de la potencia de aspiración de aire, evite usarlos tanto como sea posible.

Instale las placas de conducto de la campana (Imagen 12)

6 Solución de problemas

Solución de problemas	Causa principal	Ayuda
El aparato no funciona.	Revise los fusibles.	El fusible puede estar fundido, revíselo y cámbielo, si es necesario.
El aparato no funciona.	Revise la conexión eléctrica.	El voltaje de la red debe ser entre 220 y 240 V.
El aparato no funciona.	Revise la conexión eléctrica.	Compruebe si funcionan otros aparatos en la cocina.
La bombilla de iluminación no funciona.	Revise la conexión eléctrica.	El voltaje de la red debe ser entre 220 y 240 V.
La bombilla de iluminación no funciona.	Revise el interruptor de la bombilla.	El interruptor de la bombilla debe estar en posición "on" (encendido).
La bombilla de iluminación no funciona.	Revise las bombillas.	Las bombillas del aparato se iluminarán.
La entrada de aire del aparato no es adecuada.	Revise el filtro.	En condiciones normales de funcionamiento, el filtro de grasa se limpiará al menos una vez al mes.
La entrada de aire del aparato no es adecuada.	Revise el conducto de descarga de aire.	El conducto de descarga de aire debe estar en posición "on".
La entrada de aire del aparato no es adecuada.	Revise el filtro de carbón.	Los filtros de carbón serán reemplazados una vez cada 3 meses en condiciones normales.



**Contacto para asistencia técnica:
902 877 665 / 932 992 581**

CONDICIONES DE GARANTIA - ESPAÑA

El presente certificado cubre la garantía de reparación de su electrodoméstico durante dos años, a partir de la fecha de venta, contra todo defecto de funcionamiento proveniente de fabricación o materiales; o de sustitución del aparato, salvo que una de estas opciones resulte imposible o desproporcionada respecto de la otra. Cuando usted detecte un defecto o anomalía en el aparato contacte de forma inmediata con nosotros, un plazo de dos meses es el límite para informarnos de la falta de conformidad. El cargo de desplazamiento está incluido en la reparación, excepto para pequeños electrodomésticos que pueden ser transportados al taller del servicio oficial de la marca. En caso de sustitución, el plazo de garantía se suspende y el nuevo aparato mantendrá el periodo de vigencia del aparato sustituido, y como mínimo 6 meses de garantía.

La presente garantía sólo será válida si se presenta factura, ticket de compra o el albarán de entrega del producto correspondiente si éste fuera posterior a la fecha de factura. La presente garantía es válida en el territorio español y portugués para los aparatos distribuidos por Beko Electronics España S.L.. La garantía sólo tendrá validez sobre el primer comprador o adquirente del producto. La garantía será válida para aparatos adecuados a las condiciones climáticas y medioambientales en que estén ubicados.

EXCLUSIONES DE LA GARANTIA

El coste de la reparación será a cargo del usuario en los siguientes casos:

- Los aparatos utilizados para uso profesional o no exclusivamente doméstico, en establecimientos públicos, industriales o comerciales.
- Los aparatos desmontados o manipulados por personas ajenas a los servicios técnicos expresamente autorizados.
- Las instalaciones, transporte, sustitución de aparatos, puestas en marcha, cambio de sentido de puertas.
- Intervenciones de mantenimiento o de información sobre el uso de los aparatos.
- Cambio de inyectores en aparatos de gas.
- Las averías provocadas por falta de mantenimiento o limpieza o aquellas provocadas por un uso indebido, sobrecarga, abandono o de manera no conforme a las instrucciones de uso o de instalación de los aparatos.
- Las averías producidas por causas fortuitas, siniestros de fuerza mayor o derivados de instalación incorrecta y en general, averías por causas ajenas al propio aparato.
- Las averías provocadas por conexiones que puedan presentar fluctuaciones, irregularidades o falta de uniformidad en el suministro, por ejemplo: suministro de agua impulsado por grupos de presión, energía solar, energía eólica, generadores eléctricos, u otro tipo de suministro no normalizado.
- La sustitución de materiales rotos o deteriorados por desgaste o uso no normal del aparato, o materiales consumibles tales como: juntas, plásticos, gomas, correas, cristales, escobillas, bombillas, asas, tiradores, tapas de quemadores, filtros, rejillas, ánodos de sacrificio (magnesio o similares) de calentadores o calderas, etc.
- Los aparatos que presenten oxidación, o daños por corrosión en esmaltes o pinturas, que puedan ser provocados por efectos químicos o electroquímicos del agua o cualquier otra sustancia, o aceleradas por circunstancias ambientales o climáticas no propicias.
- Defectos estéticos en serigrafía o pintura.
- Los daños de transporte o manipulación, golpes, etc.
- Los aparatos deben instalarse de forma accesible para su reparación, debiendo asumir el usuario los costes necesarios para el acceso al aparato para su reparación y sustitución.

La presente garantía no afecta a los derechos de que dispone el consumidor conforme a lo previsto en el Real Decreto 1/2007, de 16 de noviembre, por el que se aprueba el texto refundido de la Ley General para la Defensa de los Consumidores y Usuarios y otras leyes complementarias, y la Ley 3/2014 que la modifica.

El Servicio Oficial de Asistencia Técnica resolverá cualquier incidencia que pudiera precisar su electrodoméstico siempre que el aparato esté instalado de forma accesible.

Para asegurarse que su electrodoméstico va a ser intervenido por un técnico oficial autorizado, rogamos solicite el carnet avalado por ANFEL (Asociación Nacional de Fabricantes de Electrodomésticos) a nuestros técnicos.

Las marcas BEKO, ALTUS, BLOMBERG, y GRUNDIG se distribuyen por Beko Electronics España S.L.

DATOS APARATO (a rellenar por el Distribuidor):

Titular:		Sello Establecimiento:
Modelo:	Núm. serie:	
Establecimiento:	Fecha de compra:	

El garante e importador de su electrodoméstico es: BEKO ELECTRONICS ESPAÑA S.L. Calle Provenza nº 388 3º Barcelona 08025, España. El producto ha sido fabricado por ARÇELIK A.S (Arçelik A.S.Sütluce Karaağaç Cad. No:2-6 34445 Beyoglu, Istanbul, Turkey) o Arctic S.A. (210, 13 Decembrie St., 135200, Gaesti, Dambovită, Romania

Conózanos mejor en nuestra página: www.beko.com Conserve este documento, es importante para usted.

Vă rugăm să citiți mai întâi acest manual de utilizare!

Stimate client,

Vă mulțumim pentru că ați ales acest produs Beko. Sperăm să obțineți cele mai bune rezultate de la aparatul dumneavoastră, care a fost fabricat la o calitate înaltă și cu tehnologie performantă. Din acest motiv, vă rugăm să citiți cu atenție și în întregime acest manual de utilizare și toate celelalte documente însoțitoare înainte de a utiliza aparatul și să le păstrați pentru consultări ulterioare. Dacă transmiteți produsul altei persoane, oferiți-i și manualul de utilizare. Urmați instrucțiunile și acordați atenție tuturor informațiilor și avertismentelor din manualul de utilizare.

Nu uitați că acest manual de utilizare poate fi aplicat și altor modele. Diferențele dintre modele sunt descrise în manual în mod explicit.

Semnificația simbolurilor

Următoarele simboluri sunt utilizate în diverse părți ale acestui manual de utilizare:



Informații importante și sugestii utile cu privire la utilizare.



AVERTISMENT: Avertismente pentru situații periculoase referitoare la siguranța vieții și bunurilor.



AVERTISMENT: Avertisment pentru pericol de incendiu.



AVERTISMENT: Avertisment privind electrocutarea.



Clasă de protecție împotriva electrocutării.



**HĂRTIE RECICLATĂ ȘI
RECICLABILĂ**

Acest produs a fost fabricat în fabrici ecologice moderne, fără a dăuna naturii.

1 Instrucțiuni importante cu privire la siguranță și mediu

1.1 Siguranță generală

Instrucțiuni importante cu privire la siguranță Citiți cu atenție și păstrați-le pentru consultare ulterioară Această secțiune conține instrucțiuni privind siguranța, care vă vor proteja împotriva riscului de incendiu, electrocutare, expunere la scurgeri de microunde, vătămare corporală și pagube materiale. Nerespectarea acestor instrucțiuni atrage anularea garanțiilor acordate.

- Produsele de la Beko sunt conforme standardelor de siguranță aplicabile; din acest motiv, în caz de defecțiune a produsului sau a cablului de alimentare, acestea trebuie reparate sau înlocuite de distribuitor, un centru de service sau un service similar specializat și autorizat, pentru evitarea oricărui pericol. Lucrările de reparații greșite sau efectuate de persoane necalificate pot cauza pericole sau riscuri utilizatorului.
- Acest aparat este destinat pentru a fi utilizat în scop casnic și aplicații similare cum ar fi:
 - Bucătării pentru personalul din magazine, birouri sau alte medii de lucru;
 - Ferme
 - De către clienți în hoteluri, moteluri sau alte medii de tip rezidențial;
 - Medii de tip pensiune.
- Utilizați acest produs doar pentru uzul desemnat, așa cum este descris în acest manual.
- Producătorul nu își asumă răspunderea pentru daunele provocate de instalarea incorectă sau utilizarea greșită a produsului.
- Acest aparat poate fi utilizat de către copii cu vârsta minimă de 8 ani și de către persoanele cu capacități fizice, senzoriale sau mentale reduse sau lipsite de experiență și de cunoștințe, dacă aceștia au fost supravegheați sau instruiți cu privire la utilizarea produsului într-un mod sigur și dacă înțeleg pericolele implicate.
- Copiii nu trebuie să se joace cu aparatul. Operațiunile de curățare și întreținere nu trebuie să fie efectuate de către copii fără

1 Instrucțiuni importante cu privire la siguranță și mediu

supraveghere.

- Distanța minimă dintre suprafețele de susținere pentru vasele de gătit de pe plită și partea cea mai joasă a hotei trebuie să fie de 65 cm.
- Dacă instrucțiunile de instalare a plitei cu gaz specifică distanțe mai mari decât cele de mai sus, se vor respecta instrucțiunile respective.
- Asigurați-vă că tensiunea de alimentare corespunde cu informațiile furnizate pe plăcuța cu date tehnice a produsului.
- Nu utilizați aparatul atunci când cablul de alimentare sau aparatul în sine este avariata.
- Nu strângeți, nu îndoiți și nu frecăți cablul de alimentare de margini tăioase, pentru a preveni avariata acestuia. Feriți cablul de alimentare de suprafețele fierbinți și focul deschis.
- Utilizați produsul doar cu o priză cu împământare.
- Amplasați aparatul astfel încât ștecherul să fie întotdeauna accesibil.
- Nu atingeți lămpile dacă au funcționat mult timp. Vă pot arde mâinile, deoarece vor fi fierbinți.
- Respectați reglementările stabilite de autoritățile competente privind evacuarea aerului rezidual (acest avertisment nu este valabil la utilizarea fără coșul de fum).
- Folosiți produsul după ce ați pus o oală, o tigaie etc. pe plită. În caz contrar, căldura ridicată poate cauza deformări în unele părți ale produsului.
- Opriți plita înainte de a lua oala, tigaia etc. de pe aceasta.
- Nu lăsați ulei fierbinte pe plită. Tigaiele cu ulei fierbinte pot provoca auto-combustia.
- Fiți atenți la perdele și huse, deoarece uleiul poate lua foc în timp ce gătiți alimente cum ar fi cartofi prăjiți.
- Filtrul de grăsime trebuie înlocuit cel puțin lunar. Filtrul de carbon trebuie înlocuit cel puțin o dată

AVERTISMENT: Nu conectați produsul la priza de alimentare înainte de finalizarea instalării.

1 Instrucțiuni importante cu privire la siguranță și mediu

la 3 luni.

- Produsul trebuie curățat conform manualului de utilizare. În cazul în care curățarea nu a fost efectuată conform manualului de utilizare, există risc de incendiu.
- Nu folosiți materiale de filtrare care nu sunt rezistente la foc, în locul filtrului actual.
- Utilizați doar componentele originale sau componentele recomandate de către producător.
- Nu folosiți produsul fără filtru și nu scoateți filtrele în timp ce produsul funcționează.
- În cazul în care se produce o flacără, opriți alimentarea produsului și aparatele de gătit.
- În cazul în care se produce o flacără, acoperiți flacăra și nu utilizați apă pentru stingere.
- Înainte de fiecare curățare și atunci când produsul nu este folosit, scoateți-l din priză.
- Presiunea negativă în mediu nu trebuie să depășească 4 Pa (4 x 10 bari), în timp ce hota pentru plita electrică și aparatele care funcționează cu un alt tip de energie decât electricitatea funcționează simultan.
- În mediul în care este folosit produsul, evacuarea dispozitivelor care funcționează pe combustibil lichid sau motorină, cum ar fi radiatorul, trebuie să fie complet izolată sau dispozitivul trebuie să fie de tip ermetic.
- La conectarea coșului de evacuare, folosiți țevi cu diametrul de 120 sau 150 mm. Racordul țevelor trebuie să fie cât mai scurt posibil și să aibă cât mai puține coturi.
- Pericol de sufocare! Păstrați materialele de ambalare la loc inaccesibil copiilor.

ATENȚIE: În timpul utilizării cu aparate de gătit, piesele accesibile se pot încinge.

- Evacuarea hotei nu trebuie să fie conectată la canalele de aer care includ alte tipuri de fum.
- Ventilația în cameră poate fi insuficientă atunci când hota pentru plita electrică este folosită simultan cu dispozitive care funcționează cu gaz sau alți combustibili

1 Instrucțiuni importante cu privire la siguranță și mediu

(nu se aplică neapărat în cazul aparatelor care doar evacuează aerul înapoi în cameră).

- Obiectele plasate pe produs pot să cadă. Nu amplasați nici un obiect pe aparat.
- Nu flambați alimente sub produs.

AVERTISMENT: Îndepărtați foliile de protecție înainte de a instala hota.

- Nu lăsați niciodată focul deschis la intensitate mare sub hotă când aceasta funcționează.
- Friteuzele trebuie supravegheate permanent în timpul folosirii: uleiul supraîncălzit se poate aprinde.

1.2 Conformitate cu Directiva DEEE și eliminarea deșeurilor:

Acest produs este conform cu Directiva DEEE a UE (2012/19/EU). Acest produs poartă un simbol pentru deșeuri de echipamente electrice (DEEE).



Acest simbol indică faptul că acest produs nu trebuie eliminat împreună cu alte deșeuri menajere la sfârșitul duratei sale de utilizare. Dispozitivul uzat trebuie returnat către un punct

oficial de colectare pentru reciclarea dispozitivelor electrice și electronice. Pentru a găsi aceste sisteme de colectare contactați autoritățile locale sau distribuitorul de la care a fost achiziționat produsul. Fiecare gospodărie are un rol important în recuperarea și reciclarea electrocasnicelor vechi. Eliminarea corespunzătoare a electrocasnicelor

uzate ajută la prevenirea posibilelor consecințe negative pentru mediu și sănătatea umană.

1.3 Conformitatea cu Directiva RoHS

Produsul pe care l-ați achiziționat este conform cu Directiva RoHS UE (2011/65/UE). Produsul nu conține materiale dăunătoare sau interzise specificate în Directivă.

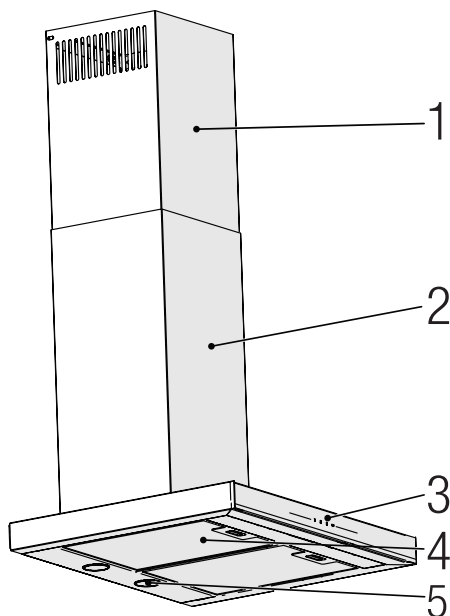
1.4 Informații despre ambalaj



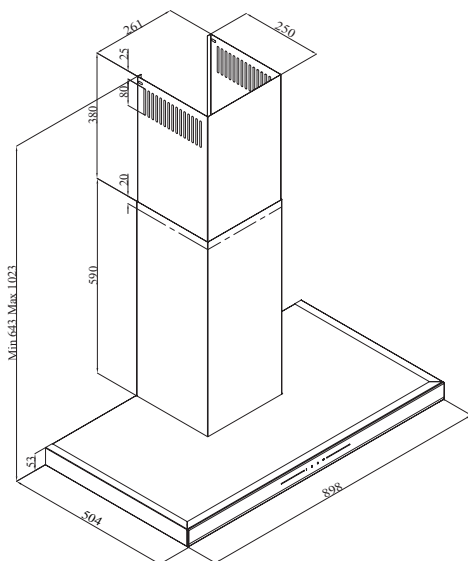
Ambalajul produsului este fabricat din materiale reciclabile, în conformitate cu reglementările naționale de mediu. Nu eliminați ambalajul împreună cu deșeurile menajere sau de alt tip. Transportați-le la punctele de colectare a ambalajelor desemnate de către autoritățile locale.

2 Aspect general

2.1 Prezentare generală



(Figura 1)



(Figura 2)

BHCB 93640 B
BHCB 93640 BH

1. Tub de evacuare intern
2. Tub de evacuare extern
3. Panou de control
4. Filtre de ulei din aluminiu
5. Sistem de iluminare

2.2 Date tehnice

Model	BHCB 93640 B	BHCB 93640 BH
Tensiune alimentare	220-240V ~ 50 Hz	
Alimentare lampă	2 x 3 W	
Putere motor	210 W	
Debit – 3. Nivel	645 m ³ /h	
Clasa de izolație motor	Clasa F	
Clasa de izolație	Clasa I	

3 Funcționarea aparatului

3.1 Controlul aparatului

 A	 B	 C	 D
CHEIE	FUNȚIE		
A : Lumină On / Off	Puteți ilumina zona de gătit apăsând acest buton. Apăsăți din nou acest buton pentru a stinge becul.		
B : 1. Buton treaptă	Acționați aparatul la viteza 1. Când apăsați din nou acest buton pentru a opri aparatul, etapa de viteză a ecranului se oprește.		
C : 2. Buton treaptă	Acționați aparatul la viteza 2. Când apăsați din nou acest buton pentru a opri aparatul, etapa de viteză a ecranului se oprește.		
D : Buton treaptă 3	Acționați aparatul la viteza 3. Când apăsați din nou acest buton pentru a opri aparatul, etapa de viteză a ecranului se oprește.		

3.2 Funcționarea eficientă din punct de vedere energetic în termeni de economisire Folosire

- Când folosiți hota, ajustați setările de viteză conform vaporilor și intensității mirosului, pentru a economisi energie.
- Folosiți viteze mici (1-2) în condiții normale și viteze mari (3) pentru mirosuri intense și vapori.
- Lămpile de pe hotă sunt plasate pentru iluminarea zonei de gătit.
- Folosirea lor pentru lumina ambientală va produce consul de energie inutil și lumină insuficientă.

3.3 Instrucțiuni de utilizare

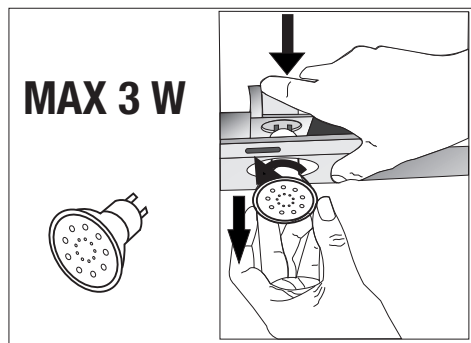
- Hota dvs. conține un motor care are viteze diferite.
- Pentru o performanță mai bună, vă recomandăm să utilizați viteze reduse în condiții normale și viteze mari în caz de mirosuri puternice și vapori intensi.
- Puteți porni aparatul apăsând butonul de setare a vitezei dorit. (B, C, D)
- Puteți ilumina zona de gătit apăsând lampa (A).

3.4 Oprire automată

Aparatul dvs. are caracteristica Oprire automată, permițându-i să se ventileze puțin mai mult și să elimine mirosurile nedorite și vaporii din mediu și să se oprească automat după ce se termină gătitul. Pentru a activa funcția Oprire automată, apăsați orice buton al treptei de viteză (B, C, D) de pe panoul de comandă pentru mai mult de 2 secunde; funcția de temporizare de 15 minute se activează. Atunci când funcția de oprire automată este activă, apăsarea aceluiași buton de viteză dezactivează funcția de oprire automată, iar motorul aparatului se oprește. Această caracteristică este dezactivată atunci când comutați între diferite etape de viteză. Dacă doriți ca aparatul să se oprească automat, trebuie să activați din nou funcția de oprire automată.


3 Funcționarea aparatului

3.5 Înlocuirea becului



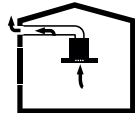
(Figura 3)

Efectuați conexiunile electrice ale aparatului. Aparatul dvs. utilizează un bec LED spot de 3W. Pentru înlocuirea becurilor, apăsați în jos suportul din spate, răsușiți-l puțin în sensul antiorar și scoateți-l trăgându-l în jos. Aplicați operațiunea de mai sus în sens invers pentru a instala becuri noi (Figura 3).

Bec	
Putere Bec	3 W
Suport / priză	GZ 10
Tensiune bec	220 - 240 V
Dimensiune	53 x 50 mm
Cod ILCOS	DR / F3 - 220 - 240 - GZ10-50-53
Flux de lumină	260 lm
Temperatură de culoare corespondentă	3000 K

Acest produs conține o sursă de lumină din clasa de eficiență energetică "F".

3.6 Funcționare cu racordare la tubul de evacuare

-  Vaporii sunt extrași prin conducta de evacuare, care este fixată pe capul de conectare de pe hotă.
- Diametrul conductei de evacuare trebuie să fie același cu cel al inelului de conectare. În setări orizontale, țeava trebuie să aibă o ușoară pantă ascendentă (aproximativ 10°), astfel încât aerul să poată ieși cu ușurință din cameră.

3.7 Funcționare fără racordare la tubul de evacuare

-  Aerul este filtrat prin filtrul de carbon și recirculat în cameră. Filtrul de carbon este utilizat atunci când este imposibil de utilizat un tub în casă.
- În cazul utilizării fără tub de evacuare, îndepărtați clapetele din interiorul adaptorului pentru tubul de evacuare.
- Scoateți filtrul de ulei. Pentru a instala filtrul de carbon, montați filtrul pe clapete centrându-l pe piesa din plastic de pe ambele părți ale corpului ventilatorului. Strângeți-l prin rotirea spre dreapta sau spre stânga.
- Înlocuiți filtrul de ulei de aluminiu.

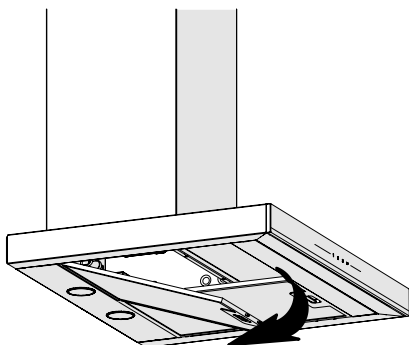
4 Curățarea și întreținerea



Înainte de curățare și întreținere, deconectați produsul sau opriți întrerupătorul.

4.1 Curățarea filtrelor de ulei de aluminiu

Filtrul de ulei din aluminiu este utilizat pentru a reține particulele de ulei din aer. Filtrele de aluminiu își pot schimba culoarea după curățarea repetată. Acest lucru este normal și filtrele nu trebuie înlocuite.



(Figura 4)

- Împingeți înainte blocarea filtrului de ulei din aluminiu.
- Apoi trageți-l ușor în jos și trageți-l afară (Figura 4). În caz contrar, puteți îndoi filtrul. Spălați și clătiți filtrele de ulei din aluminiu cu detergent lichid înlocuind filtrele de ulei din aluminiu, efectuând pașii specificați mai sus în ordine inversă. Aceste filtre de ulei din aluminiu sunt utilizate pentru a reține particulele de ulei din aer.

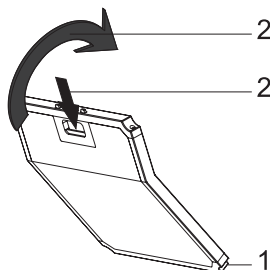


De asemenea, puteți spăla filtrele de ulei din aluminiu în mașina de spălat.



ATENȚIE: În caz de utilizare normală, curățați filtrul de ulei din aluminiu o dată pe lună.

4.2 Înlocuirea filtrelor de carbon



(Figura 5)

- Dispozitivul pe care l-ați achiziționat este potrivit pentru utilizarea cu filtre de carbon.
- Îndepărtați filtrele de ulei din aluminiu (Figura 4).
- Puneți partea inferioară a filtrului de carbon în carcasa motorului (Figura 5).
- Apăsăți butonul filtrului de carbon înainte și asigurați-vă că butoanele filtrului de carbon sunt conectate și blocate. (Figura 5).
- Atașați filtrele de ulei de aluminiu.

ATENȚIE



- Filtrul de carbon nu trebuie spălat niciodată.
- Înlocuiți filtrele de carbon o dată la 3 luni.
- Puteți obține filtrul de carbon de la vânzătorii autorizați.

5 Instalarea aparatului



AVERTISMENT: Înainte de a începe instalarea, citiți informațiile de siguranță din Manualul utilizatorului.

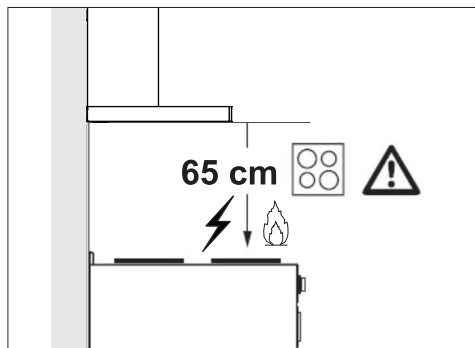


AVERTISMENT: Neinstalarea cu șuruburi și stabilizatori în conformitate cu aceste instrucțiuni poate duce la electrocutare.

Pentru instalarea hotei, vă rugăm să contactați cel mai apropiat serviciu autorizat.

Este responsabilitatea clientului să pregătească locația și instalarea electrică a hotei.

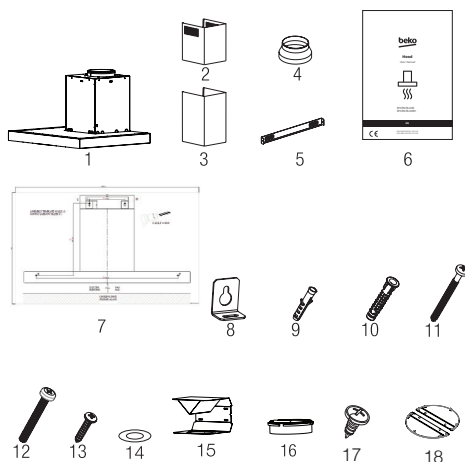
5.1 Poziția aparatului



(Figura 6)

- Distanța dintre aragaz și hotă trebuie luată în considerare înainte de asamblare. Această distanță trebuie să fie de 65 cm (Figura 6).
- Distanța trebuie măsurată de la suprafața grătarului pentru aragazuri pe gaz,
- de la suprafața sticlei pe aragazuri electrice.

5.2 Accesorii de instalare



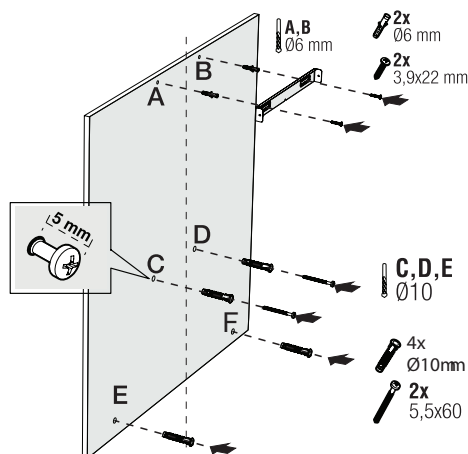
1. Produsul
2. Tub de evacuare intern
3. Tub de evacuare extern
4. Adaptor tub de evacuare Ø150/120 mm
5. Placă de conexiune tub evacuare
6. Manual de utilizare
7. Schema de instalare
8. 2x Plăci de agățare a produsului
9. 2x dibluri din plastic Ø 6 mm
10. 4x dibluri din plastic Ø 10 mm
11. 4x șuruburi de montare pe perete 5,5x60
12. 2x M5x35 Șuruburi de conexiune placă de agățare
13. 2x șuruburi pentru placa de conexiune tub evacuare 3.9x22
14. Șaibă M4 x2
15. Deflector de aer
16. Adaptor din plastic (distribuitor de aer)
17. 2x 3.5x9.5 Șurub guseu coș
18. Clemă coș

Informațiile necesare pentru a alege locul adecvat pentru instalarea hotei sunt prezentate mai jos.

5 Instalarea aparatului

5.3 Montare pe perete

- Peretele trebuie să fie plat, drept și să aibă o capacitate suficientă de încărcare.
- Adâncimea găurilor trebuie să corespundă cu lungimea șuruburilor.
- Șuruburile și diblurile furnizate sunt potrivite pentru pereți din cărămidă. Pentru alte materiale de construcții (de exemplu, gips carton, placă, beton poros), se folosesc dibluri și piulițe de fixare adecvate.



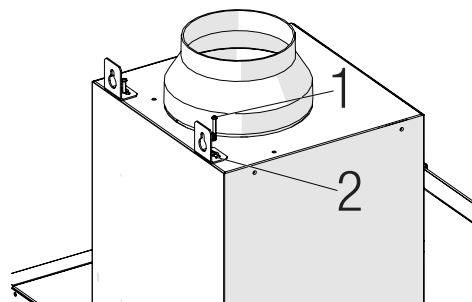
(Figura 7)

Desenați o linie de mijloc din tavan perpendicular pe marginea inferioară a hotei.

Fixați sistemul de asamblare pe perete. Pentru punctele A și B, luați ca referință dimensiunile maxime ale hotei și găuriți punctele A și B pe care le-ați marcat cu un burghiu de Ø6mm și loviți fișele de perete din plastic de Ø6mm. Instalați placa de conexiune a tubului de conectare pe perete cu 2 bucăți de șuruburi 3.9x22 (Figura 8).

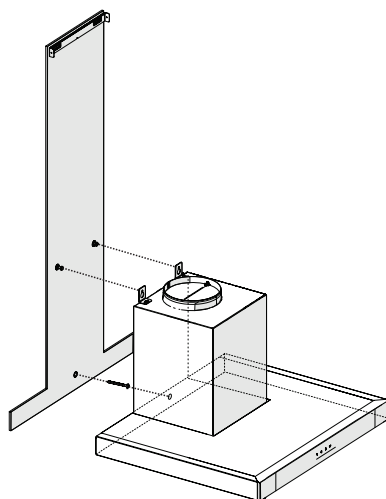
Pentru a instala corpul hotei, găuriți punctele C, D, E, F specificate în șablonul de instalare cu un burghiu de Ø10mm și loviți diblurile din plastic de Ø10mm în aceste puncte (Figura 8).

Instalați 2 bucăți de șuruburi de montare 5.5x60 în punctele C și D, cu un spațiu de 5 mm între capul șurubului și perete (Figura 8).



(Figura 8)

Instalați două plăci agățare pe corpul hotei cu șuruburi de montare M5x35 (Figura 8).



(Figura 9)

Țineți hota de corpul său și puneți-o pe șuruburile de suspendare de pe perete și strângeți șuruburile (Figura 9).

Montați șabla M4 la șuruburile de suspensie 5,5x60. Fixați hota cu un șurub de 5,5x60 pe perete prin orificiul de montare din interiorul aparatului (Figura 9).

5 Instalarea aparatului

5.4 Conectarea la tubul de evacuare

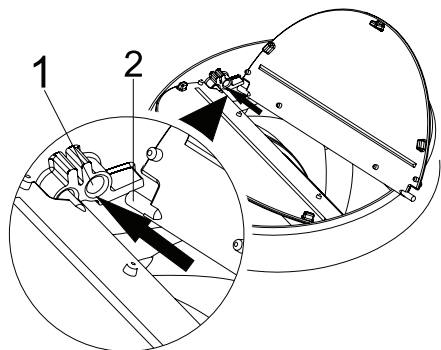
Dacă aveți de gând să utilizați adaptorul din plastic pentru tubul de evacuare \varnothing 120/150 mm, conectați un capăt al țevii la acest adaptor, dacă nu aveți de gând să-l utilizați, conectați-l la conducta de evacuare directă a produsului. Conectați celălalt capăt al țevii la tubul de evacuare. Verificați dacă aceste două conexiuni sunt suficient de strânse pentru a nu ieși atunci când aparatul funcționează la putere maximă. Verificați dacă clapetele din interiorul tubului de evacuare funcționează atunci când sunt strânse cu cleme. Conectați conducta de conectare a tubului în afara adaptorului (Figura 11/a). Dacă conducta de conectare este montată în interiorul adaptorului, aspirația aerului nu trebuie să aibă loc, deoarece clapeta tubului care împiedică revenirea aerului va rămâne închisă (Figura 11/b). Lungimea conductei de conectare, precum și numărul de coturi trebuie să fie cât mai mic posibil.

A: Țeavă de ieșire a tubului de evacuare

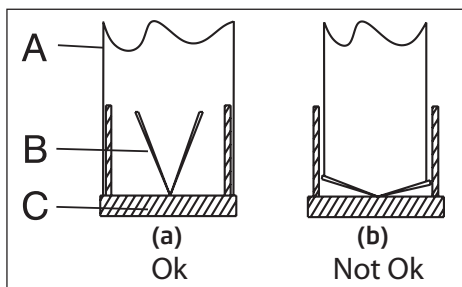
B: Clapete de reținere

C: Tub de evacuare din plastic

Supapele sunt închise, apoi aparatul nu funcționează și împiedică pătrunderea în interior a mirosurilor și prafului din exterior.



(Figura 10)

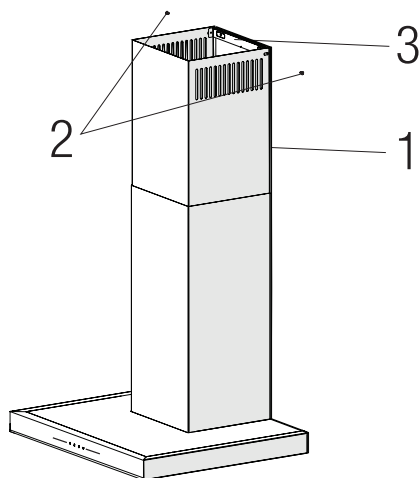


(Figura 11)

5.5 Instalarea hotei la tubul de evacuare

Realizați conexiunea electrică a hotei înainte de a începe instalarea tubului de evacuare. Glisați plăcile tubului de evacuare în jurul corpului.

Instalați placa tubului de evacuare pe placa de fixare a tubului care este fixată pe perete de la marginile sale exterioare superioare (Figura 12).



(Figura 12)

1. Tub de evacuare intern

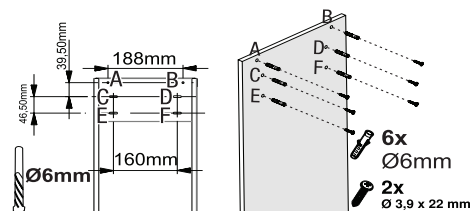
2. Șurub 3,5x9,5

3. Placă de conexiune tub evacuare

5 Instalarea aparatului

5.6 Instalarea deflectorului de aer (BHCB 93640 BH)

În timpul utilizării cu filtrul de carbon, aparatul este dotat cu deflector de aer cu scopul de a elibera din nou aerul care este curățat cu filtru de carbon din orificiul perforat situat pe tub. Asamblați deflectorul de aer urmând instrucțiunile menționate mai jos.



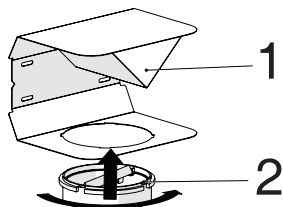
(Figura 13)

Există o filă în mijlocul placă de conexiune tub evacuare. Amplasați punctul de mijloc al acestei file pe linia pe care este trasată perpendicular pe perete. Aliniați orizontal și marcați cu un pix găurile în care va fi montată placa de conectare (Figura 13/A, B).

Găuriți punctele marcate cu burghiu de Ø6mm și introduceți două dibluri de plastic Ø6mm în găurile perforate (Figura 13/A, B).

Fixați placa de conexiune a tubului de conectare pe perete cu șuruburi 3.9x22 (Figura 13/A, B).

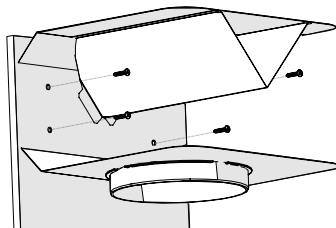
Pentru asamblarea deflectorului de aer, instalați punctele C, D, E, F cu burghiu de Ø6mm și dibluri din plastic Ø6mm (Figura 13).



(Figura 14)

1. Deflector de aer
2. Tub de evacuare din plastic

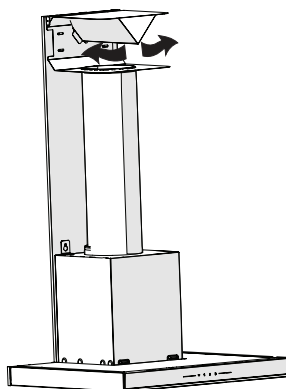
Atașați adaptorul de tub din plastic, care este inclus în pachet, în direcția deflectorului de aer. Blocați adaptorul tubului rotindu-l în direcția săgeții (Figura 14).



(Figura 15)

Asamblați grupul deflectorului de aer cu șuruburi 3,9 x 22 din punctele C, D, E, F pe care le-ați pregătit deja (Figura 13).

Asamblați corpul hotei (Figura 7).



(Figura 16)

1. Țeavă de evacuare a aerului din aluminiu
Asigurați asamblarea conductei de evacuare a aerului (Figura 16).



Din moment ce răsucirea și îndoirea țevii de aluminiu va duce la reducerea puterii de aspirație a aerului, evitați să îndoiți sau să răsuciți țeava.

Instalați plăcile de tub ale hotei (Figura 12)

6 Depanarea

Problemă	Cauză	Soluție
Produsul nu funcționează.	Verificați siguranța dvs.	Dacă siguranța dvs. este închisă, deschideți-o.
Produsul nu funcționează.	Verificați conexiunea electrică.	Tensiunea rețelei trebuie să fie între 220 și 240 V.
Produsul nu funcționează.	Verificați conexiunea electrică.	Verificați dacă și celelalte aparate din bucătărie funcționează.
Lampa de iluminare nu funcționează.	Verificați conexiunea electrică.	Tensiunea rețelei trebuie să fie între 220 și 240 V.
Lampa de iluminare nu funcționează.	Verificați comutatorul lămpii.	Comutatorul pentru lampă trebuie să fie în poziția „on” (pornit).
Lampa de iluminare nu funcționează.	Verificați becurile.	Becurile produsului nu trebuie să fie defecte.
Admisia de aer a produsului este slabă.	Verificați filtrul de aluminiu.	În condiții normale de funcționare, filtrul de ulei din aluminiu trebuie curățat cel puțin o dată pe lună.
Admisia de aer a produsului este slabă.	Verificați tubul de evacuare a aerului.	Tubul de evacuare a aerului trebuie să fie în poziția „on” (pornit).
Admisia de aer a produsului este slabă.	Verificați filtrul de carbon.	Pentru produsele cu filtre de carbon, filtrul trebuie schimbat în mod normal la fiecare 3 luni.



CERTIFICAT DE GARANȚIE

Tensiune de alimentare/frecvență: 220-240V~, 50-60Hz
Importator: ARCTIC S.A., Găești, Dâmbovița, str. 13 Decembrie nr. 210, email: office@arctic.ro

TIP: Aragaz Cuptor încorporabil Plită încorporabilă Hotă

Model / Serie:.....

VĂNZĂTOR

Nr. factură:.....Data:

Vânzător (firma, localitatea):

CUMPĂRĂTOR

NumeLocalitatea

Str.Nr.BlocSc.Et.Ap.

Județ TelefonE-mail

S-a efectuat proba de funcționare a aparatului, s-a prezentat modul de folosire, s-au predat instrucțiunile de utilizare și toate accesoriile. Am primit aparatul în perfectă stare de funcționare.

Stimați clienți,

La cumpărare vă recomandăm să solicitați efectuarea probei de funcționare și să verificați existența instrucțiunilor de utilizare și a accesoriilor.

Pentru a putea beneficia de toate avantajele produselor și serviciilor noastre vă rugăm:

- să citiți cu atenție și să respectați recomandările prezentate în "Instrucțiunile de utilizare".
- să păstrați cu grijă acest certificat pentru a-l putea prezenta (împreună cu documentul fiscal de achiziție), personalului SERVICE, la orice sesizare efectuată în perioada de garanție.

Vă mulțumim că ați optat pentru cumpărarea unui produs Beko!

Durata medie de utilizare a produsului este de 10 ani!
Perioada de garanție legală de conformitate este de 2 ani de la intrarea produsului în posesia consumatorului.

Art. 22, alin. 3-6, din L449/2003, modificata de OG 9/2016:

- (3) Timpul de nefuncționare din cauza lipsei de conformitate apărute în cadrul termenului de garanție prelungeste termenul de garanție legală de conformitate și curge, după caz, din momentul la care a fost adusă la cunoștință vânzătorului lipsa de conformitate a produsului sau din momentul prezentării produsului la vânzător/unitatea de service până la aducerea produsului în stare de utilizare normală și, respectiv, al notificării în scris în vederea ridicării produsului sau predării efective a produsului către consumator.
- (4) Produsele de folosință îndelungată care înlocuiesc produsele defecte în cadrul termenului de garanție vor beneficia de un nou termen de garanție care curge de la data preschimbării produsului.
- (5) Produsele de folosință îndelungată defectate în termenul de garanție legală de conformitate, atunci când nu pot fi reparate sau când durata cumulată de nefuncționare din cauza deficiențelor apărute în termenul de garanție legală de conformitate depășește 10% din durata acestui termen, la cererea consumatorului, vor fi înlocuite de vânzător sau acesta va restitui consumatorului contravaloarea produsului respectiv.
- (6) Termenul de garanție curge de la data intrării bunului respectiv în posesia consumatorului, inclusiv pentru bunurile noi de folosință îndelungată, obținute prin tragere la sorți la tombole, câștigate la concursuri și similare sau acordate cu reducere de preț ori gratuit de către operatorii economici.

Garanția oferită de producător nu exclude garanția de vicii ascuns, conform OG 21/1992 (R2) privind protecția consumatorului și Codul Civil.



Service-ul acestui produs este asigurat de ARCTIC S.A. cu sediul în Găești, Dâmbovița, str. 13 Decembrie nr. 210. • *9010 • www.arctic.ro • www.beko.ro • e-mail: service@arctic.ro
Program Call Center: Luni - Vineri 08:30 - 20:00; Sâmbătă 08:30 - 17:00

UNITĂȚILE SERVICE ALE ARCTIC S.A. EXECUTĂ REPARAȚII ÎN TERMENUL DE GARANȚIE ȘI ÎN AFARA ACESTUIA

Nr. crt.	Data Reclamației	Data primirii în reparație	Reparat			Prelungirea termenului de garanție	Efectuarea verificării	
			Programat	Data ridicării aparatului	Cauza întârzierii		Reparația curentă și/sau componenta înlocuită	SERVICE

CONDIȚII DE GARANȚIE LEGALĂ DE CONFORMITATE:

Pentru orice defecțiune aparută în perioada de garanție sau post-garanție, apălați la magazinul de unde a fost achiziționat produsul sau direct la Call Center Arctic.

Prelungirea termenului de garanție se va înscrie în certificatul de garanție de către unitatea SERVICE care a efectuat reparația.

Garanția acoperă reparația și/sau înlocuirea pieselor constatate ca defecte (necauzate de consumator) de către tehnicienii Service.

Termenul de realizare a operațiilor de reparare, înlocuire sau întreținere este de 15 zile calendaristice de la data la care cumpărătorul a sesizat defecțiunea la magazinul de unde a achiziționat produsul sau direct la Call Center Arctic.

Reclamațiile referitoare la aspectele prevăzute mai jos, se rezolvă numai contra cost:

- a) nefuncționarea lămpilor de iluminare;
- b) accesoriile care nu au defecte ascunse de material constatate de tehnicienii Service;
- c) piesele și accesoriile care prezintă lovitură, zgârieturi, spărturi sau deformări.

PRODUSUL NU BENEFICIAZĂ DE GARANȚIE LEGALĂ DE CONFORMITATE ÎN URMĂTOARELE CAZURI:

1. Nu a fost respectate instrucțiunile de transport, manipulare, instalare, utilizare și întreținere prescise.
2. Subansamblurile și accesoriile casabile care se deteriorează în timpul transportului vor fi înlocuite de vânzător (în cazul în care asigură transportul).
3. Garanția nu se acordă subsansamblelor și accesoriilor casabile ale produselor care suferă deteriorări din vina consumatorului.
4. Tensiunea de alimentare are valori care nu se încadrează în limitele prevăzute de standarde (SREN 50160).
5. Instalația electrică a utilizatorului prezintă improvizații sau neconformități.
6. Produsul a fost folosit în alte scopuri decât cel pentru care a fost proiectat.
7. Produsul a suportat intervenții (reparații, modificări) din partea unor persoane neautorizate de producător.

Drepturile consumatorului sunt cele prevăzute în Legea 449/2003 (republicată) și OG 21/1992 (republicată).

În cadrul acestui proces, Arctic vă prelucrează date cu caracter personal, cu respectarea legilor aplicabile privind confidențialitatea și protecția datelor. Pentru informații complete despre modul în care vă prelucreăm datele, precum și despre drepturile dumneavoastră, vă rugăm să consultați secțiunea "Protecția datelor personale", accesând site-ul nostru la adresa <https://www.beko.ro/>.

Avant toute chose, veuillez lire ce manuel d'utilisation !

Chère cliente, cher client,

Merci d'avoir choisi cet appareil Beko. Nous espérons que cet appareil, fabriqué dans des installations modernes et soumis à un processus de contrôle qualité rigoureux, vous offre les meilleures performances possible. C'est pourquoi nous vous recommandons, avant d'utiliser l'appareil, de lire attentivement et complètement ce manuel d'utilisation ainsi que tous les autres documents fournis et de les conserver soigneusement pour une utilisation future. Si vous cédez l'appareil à quelqu'un d'autre, remettez-lui également le manuel d'utilisation. Suivez les instructions en accordant une attention particulière à toutes les informations et les avertissements contenus dans le manuel d'utilisation.

Notez que ce manuel d'utilisation peut également s'appliquer à d'autres modèles. Les différences entre les modèles sont clairement décrites dans le manuel.

Signification des symboles

Les pictogrammes suivants sont repris tout au long de ce manuel :

	Informations importantes et conseils utiles concernant l'utilisation de l'appareil.
--	---

	AVERTISSEMENT: Avertissement sur les situations dangereuses concernant la sécurité des biens et des personnes.
--	---

	AVERTISSEMENT: Avertissement contre le risque d'incendie.
---	--

	AVERTISSEMENT: Avertissement contre le risque d'électrocution.
--	---



Cet appareil a été fabriqué dans des usines modernes respectueuses de l'environnement et sans causer des dommages à la nature.

1 Instructions importantes en matière de sécurité et d'environnement

1.1 Consignes générales de sécurité

Consignes de sécurité importantes
- Lire attentivement et conserver pour référence ultérieure

Cette section contient les consignes de sécurité qui aident à se prémunir contre les risques d'incendie, d'électrocution, d'exposition aux fuites d'énergie à micro-ondes, de dommages corporels ou de dégâts matériels. Le non-respect de ces instructions entraînera l'annulation de toute garantie.

- Les produits Beko sont conformes aux normes de sécurité applicables. Par conséquent, en cas de dommage sur l'appareil ou son câble d'alimentation, le faire réparer ou remplacer par le revendeur, le centre SAV, un spécialiste ou des services habilités afin de prévenir tout danger. Des réparations défectueuses et non professionnelles peuvent être sources de danger et de risque pour l'utilisateur.

- Cet appareil est conçu pour un usage domestique et des utilisations similaires comme :
 - dans les coins cuisine du personnel dans les magasins, bureaux, et autres environnements de travail ;
 - les fermes
 - Par les clients des hôtels et autres types d'environnements résidentiels ;
 - et dans les chambres d'hôte.
- Utiliser l'appareil uniquement aux fins pour lesquelles il a été conçu, comme décrit dans les présentes instructions.
- Le fabricant n'est pas responsable des dommages résultant d'une mauvaise installation ou d'une mauvaise utilisation du produit.

1 Instructions importantes en matière de sécurité et d'environnement

- Cet appareil peut être utilisé par des enfants de 8 ans minimum, des personnes à capacités physiques, sensorielles ou mentales réduites et des personnes manquant d'expérience ou de connaissances suffisantes en la matière, à condition qu'elles aient été préparées à un maniement sécurisé de l'appareil et qu'elles aient pleinement conscience des risques encourus.
- Les enfants n'ont pas le droit de jouer avec l'appareil. Le nettoyage et l'entretien de l'appareil ne doivent pas être effectués par des enfants laissés sans surveillance.
- La distance minimale entre la surface d'appui des récipients de cuisson sur la plaque de cuisson et la partie la plus basse de votre produit doit être d'au moins 65 cm.
- Si des instructions relatives à l'installation de la plaque à gaz exigent plus de distance, prenez-les en compte.
- S'assurer que la source d'alimentation électrique est conforme aux informations spécifiées sur la plaque signalétique de l'appareil.
- Ne jamais utiliser l'appareil si le câble d'alimentation ou l'appareil lui-même est endommagé.
- Pour éviter d'endommager le câble d'alimentation, éviter de l'aplatir, de le plier ou même de le frotter contre des bords coupants. Éloigner le câble d'alimentation de toute surface brûlante et des flammes.
- Utilisez l'appareil uniquement avec une prise de terre.

AVERTISSEMENT: Ne branchez pas l'appareil sur le secteur avant la fin de l'installation.

- Placer l'appareil de sorte que la prise soit toujours accessible.
- Ne touchez pas les lampes si elles ont été utilisées pendant une longue période. Elles sont chaudes et risqueraient donc de provoquer des brûlures aux mains.

1 Instructions importantes en matière de sécurité et d'environnement

- Respectez la réglementation des autorités compétentes en matière d'évacuation de l'air évacué (cette mise en garde ne s'applique pas à l'utilisation sans conduit).
- Faites fonctionner votre appareil après avoir posé une casserole, une poêle, etc. sur la plaque de cuisson. Autrement, la température élevée peut provoquer la déformation de certaines pièces de votre produit.
- Éteignez la plaque de cuisson avant d'en retirer la casserole, la poêle, etc.
- Ne laissez pas d'huile chaude sur la plaque de cuisson. Les casseroles contenant de l'huile chaude peuvent s'enflammer.
- Faites attention à vos rideaux et à vos couvertures, car l'huile peut prendre feu pendant la cuisson de certains aliments, comme les frites.
- Le filtre à graisse doit être remplacé au moins une fois par mois. Le filtre à charbon doit être remplacé au moins tous les 3 mois.
- Le produit doit être nettoyé conformément au manuel d'utilisation. Si le nettoyage n'a pas été effectué conformément au manuel d'utilisation, il peut y avoir un risque d'incendie.
- N'utilisez pas de matériaux filtrants ignifuges à la place des filtres actuels.
- Utilisez uniquement des pièces d'origine ou pièces recommandées par le fabricant.
- N'utilisez jamais l'appareil sans le filtre et ne retirez pas les filtres lorsque l'appareil est en marche.
- En cas d'apparition d'une flamme, éteignez votre produit et vos appareils de cuisson.
- En cas d'apparition d'une flamme, couvrez la flamme et n'utilisez jamais d'eau pour l'éteindre.
- Débranchez l'appareil avant chaque nettoyage et lorsque l'appareil n'est pas en cours d'utilisation.

1 Instructions importantes en matière de sécurité et d'environnement

- La pression négative dans l'environnement ne doit pas dépasser 4 Pa (4 x 10 bars) lorsque la hotte de la table de cuisson électrique et les appareils fonctionnant avec un autre type d'énergie que l'électricité fonctionnent simultanément.
 - Dans l'environnement dans lequel l'appareil est utilisé, les gaz résiduels des appareils fonctionnant au fioul ou au gaz, tels que le chauffage de la pièce, doivent être totalement isolés ou l'appareil doit être de type étanche.
 - Pour le raccordement du conduit, utilisez des tuyaux d'un diamètre de 120 ou 150 mm. Le raccordement du tuyau doit être aussi court que possible et avoir le minimum de coudes que possible.
 - Risque d'étranglement ! Conservez tous les emballages hors de portée des enfants.
 - Ne connectez pas la prise du produit aux canaux d'air qui contiennent d'autres fumées.
 - La ventilation de la pièce peut être insuffisante lorsque la hotte de la table de cuisson électrique est utilisée en même temps que les appareils fonctionnant au gaz ou avec d'autres combustibles (ceci peut ne pas s'appliquer aux appareils qui rejettent uniquement l'air dans la pièce).
 - Les objets placés sur le produit peuvent tomber. Ne posez aucun objet sur le produit.
 - Ne brûlez rien sous votre produit.
- AVERTISSEMENT:** Retirez les films protecteurs avant d'installer la hotte.
- Ne laissez jamais des grandes flammes nues sous la hotte lorsqu'elle est en fonctionnement.
 - Gardez les friteuses en permanence sous surveillance pendant l'utilisation : de l'huile surchauffée peut prendre feu.

ATTENTION: Les pièces accessibles peuvent devenir chaudes lorsqu'elles sont utilisées avec des appareils de cuisson.

1 Instructions importantes en matière de sécurité et d'environnement

1.2 Conformité avec la Directive DEEE et Mise au rebut des appareils usagés :

Cet appareil est conforme à la directive DEEE. (2012/19/UE). Cet appareil porte le symbole de classification pour les déchets des équipements électriques et électroniques (DEEE).



Ce symbole indique que ce produit ne doit pas être jeté avec les déchets ménagers à la fin de sa vie utile. Les appareils usagés doivent être retournés au point de collecte officiel pour le recyclage des appareils électriques et électroniques.

Pour trouver ces systèmes de collecte, veuillez contacter les autorités locales ou le détaillant auprès duquel vous avez acheté le produit. Chaque ménage joue un rôle important dans la récupération et le recyclage des appareils ménagers usagés. L'élimination appropriée des appareils usagés aide à prévenir les conséquences négatives potentielles pour l'environnement et la santé humaine.

1.3 Conformité avec la directive RoHS

L'appareil que vous avez acheté est conforme à la Directive RoHS de l'UE (2011/65/UE). Il ne contient pas de matières dangereuses et interdites spécifiées dans la directive.

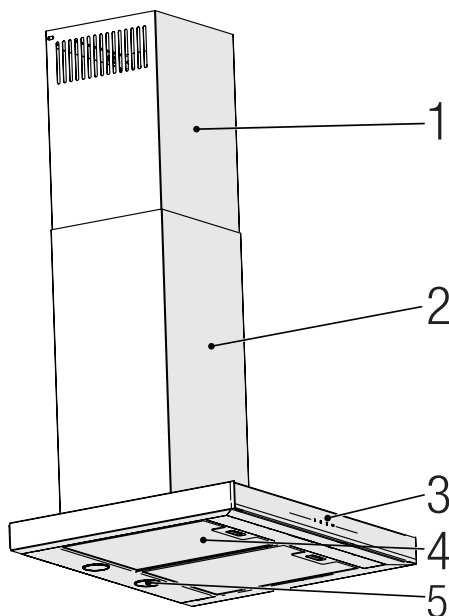
1.4 Informations concernant l'emballage



Les matériaux d'emballage du produit sont fabriqués à partir de matériaux recyclables conformément à notre réglementation nationale sur la protection de l'environnement. Ne jetez pas les matériaux d'emballage avec les déchets domestiques et autres déchets. Déposez-les dans l'un des points de collecte de matériaux d'emballage prévus par l'autorité locale.

2 Apparence générale

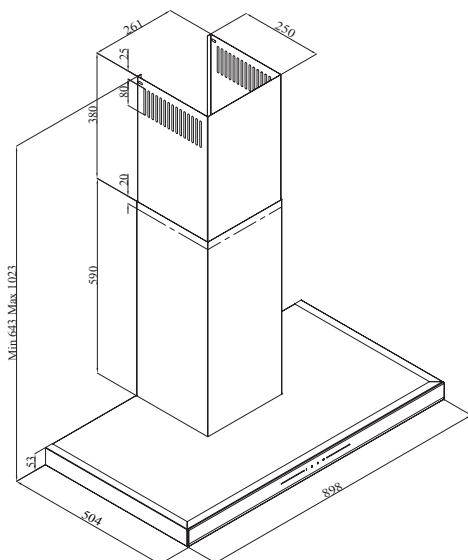
2.1 Vue d'ensemble



(Figure 1)

Commandes et pièces

1. Cheminée intérieure
2. Cheminée extérieure
3. Panneau de commande
4. Filtre à graisse en aluminium
5. Éclairage



(Figure 2)





BHCB 93640 B
BHCB 93640 BH

2.2 Données techniques

Modèle	BHCB 93640 B	BHCB 93640 BH
Tension et fréquence d'alimentation	220-240 V~ 50 Hz	
Puissance de la lampe	2 X 3 W	
Puissance du moteur	210 W	
Débit - 3 Niveau	645 m ³ /h	
Classe d'isolation du moteur	Classe F	
Classe d'isolation	Classe I	

3 Fonctionnement de l'appareil

3.1 Contrôle de l'appareil

 A	 B	 C	 D
Touche	Fonction		
A : Lumière allumée/éteinte	Vous pouvez éclairer la zone de cuisson en appuyant sur ce bouton. Appuyez à nouveau sur ce bouton pour éteindre la lampe.		
B : 1. Bouton gradué	Fait fonctionner l'appareil en 1ère vitesse. Lorsque vous appuyez à nouveau sur ce bouton pour éteindre l'appareil, la phase de vitesse de l'écran s'éteint.		
C : 2. Bouton gradué	Fait fonctionner l'appareil en 2e vitesse. Lorsque vous appuyez à nouveau sur ce bouton pour éteindre l'appareil, la phase de vitesse de l'écran s'éteint.		
D : 3e bouton gradué	Fait fonctionner l'appareil en 3e vitesse. Lorsque vous appuyez à nouveau sur ce bouton pour éteindre l'appareil, la phase de vitesse de l'écran s'éteint.		

3.2 Utilisation efficace de l'énergie

- Lorsque vous utilisez votre appareil, effectuez les réglages de vitesse en fonction de l'intensité des vapeurs et des odeurs afin de faire des économies de l'énergie.
- Utilisez les vitesses basses (1-2) dans des conditions normales, et les vitesses élevées (3) pour les odeurs et vapeurs intenses.
- Les lampes situées sur la hotte sont destinées à l'éclairage de la zone de cuisson.
- L'utilisation de ces lampes pour l'éclairage de la pièce entraîne une consommation d'énergie inutile et un éclairage insuffisant.

3.3 Fonctionnement de la hotte

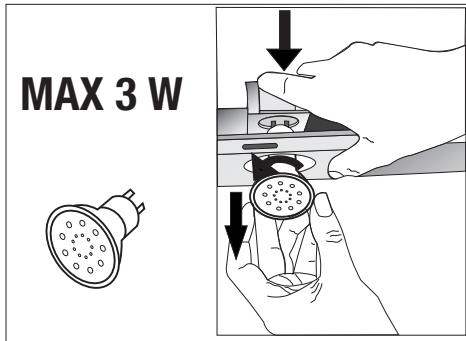
- Votre appareil possède un moteur à vitesses variables.
- Pour de meilleures performances, il est recommandé d'utiliser les vitesses basses dans des conditions normales et les vitesses élevées en présence de fortes odeurs et de vapeurs intenses.
- Mettez votre appareil en marche en appuyant sur le bouton de réglage de vitesse souhaitée. (B, C, D).
- Vous pouvez éclairer la zone de cuisson en appuyant sur la lampe (A).

3.4 Arrêt automatique

Votre appareil est doté d'une fonction d'arrêt automatique, qui lui permet de ventiler un peu plus et d'éliminer les odeurs et les vapeurs indésirables dans l'environnement et de s'éteindre automatiquement une fois la cuisson terminée. Pour activer la fonction d'arrêt automatique, appuyez sur le bouton de n'importe quelle étape de vitesse (A, B, C) sur le panneau de contrôle pendant plus de 2 secondes ; la fonction de minuterie de 15 minutes sera activée. Lorsque la fonction d'arrêt automatique est activée, le fait d'appuyer sur le même bouton de vitesse désactive la fonction d'arrêt automatique et le moteur de l'appareil s'arrête. Cette fonction est désactivée lorsque vous passez d'une vitesse à l'autre. Si vous souhaitez que l'appareil s'arrête automatiquement, vous devez réactiver la fonction d'arrêt automatique.


3 Fonctionnement de l'appareil

3.5 Remplacement de lampes



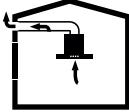
(Figure 3)

Procédez aux branchements électriques de l'appareil. Votre appareil utilise une lampe LED à spot de 3 W. Pour remplacer la lampe, il faut pousser vers le bas sur le support par l'arrière, la tourner dans le sens horaire et la sortir vers le bas. Appliquez l'opération ci-dessus en sens inverse pour installer de nouvelles lampes (figure 3).

Ampoule	
Puissance de l'ampoule	3 W
Support / Prise	GZ 10
Voltage de l'ampoule	220 - 240 V
Taille	53*50 mm
Code ILCOS	DR/F3-220-240-GZ10-50-53
Flux lumineux	260 lm
Température de couleur corrélée	3000 K

Ce produit contient une source lumineuse de classe d'efficacité énergétique "F".

3.6 Fonctionnement avec branchement de cheminée

-  La vapeur est extraite par le conduit de fumée, qui est fixé à la tête de raccordement sur la hotte.
- Le diamètre du conduit de fumées doit être le même que celui de la bague de raccordement. En position horizontale, le tuyau doit avoir une légère pente ascendante (environ 10°) afin que l'air puisse sortir facilement de la pièce.

3.7 Fonctionnement sans branchement de cheminée

-  L'air est filtré par le filtre à charbon et circule à nouveau dans la pièce. Le filtre à charbon est utilisé lorsqu'il est impossible d'utiliser un conduit de fumée dans la maison.
- En cas d'utilisation sans conduit, retirez les rabats à l'intérieur de l'adaptateur de conduit.
- Retirez le filtre à graisse en aluminium. Pour installer le filtre à charbon, placez le filtre sur les languettes en le centrant sur la pièce en plastique des deux côtés du corps du ventilateur. Serrez-le en tournant à droite ou à gauche.
- Remplacez le filtre à graisse en aluminium.

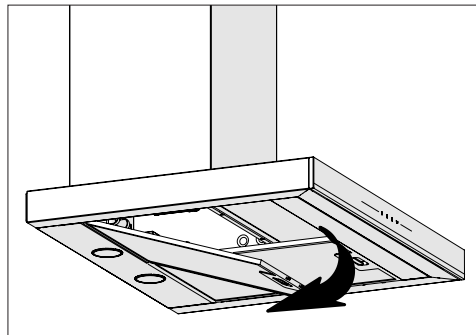
4 Nettoyage et entretien



Avant de procéder au nettoyage et à l'entretien, débranchez l'appareil ou éteignez le commutateur.

4.1 Nettoyage du filtre à graisse en aluminium

Ce filtre retient les particules d'huile dans l'air. Les filtres à graisse en aluminium peuvent changer de couleur après plusieurs nettoyages. Cela est tout à fait normal. Vous n'avez pas besoin de remplacer vos filtres.



(Figure 4)

- Poussez le verrou du filtre à huile en aluminium vers l'avant.
- Puis tirez-le légèrement vers le bas et retirez-le (figure 4). Sinon, vous pouvez plier le filtre. Lavez et rincez le filtre à graisse en aluminium avec un détergent liquide, puis remplacez-le par les douilles en effectuant les étapes indiquées ci-dessus dans l'ordre inverse. Ces filtres à graisse en aluminium sont utilisés pour retenir les particules d'huile dans l'air.

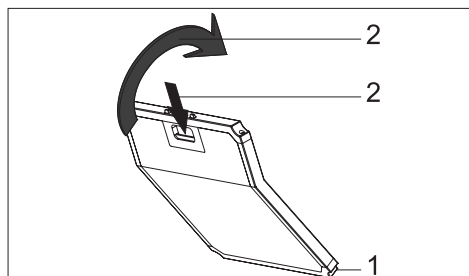


Vous pouvez également laver le filtre à graisse en aluminium dans la machine à laver.



ATTENTION : En cas d'utilisation normale, nettoyez votre filtre une fois par mois.

4.2 Remplacement des filtres à carbone



(Figure 5)

- L'appareil que vous avez acheté convient à l'utilisation des filtres à charbon.
- Retirez le filtre à graisse en aluminium (figure 4).
- Placez la partie inférieure du filtre à charbon dans le boîtier de moteur (Figure 5).
- Appuyez sur la languette du filtre à charbon et tirez-la vers l'avant, et veillez à ce que les languettes du filtre à charbon soient en contact et bloquées (Figure 5).
- Fixez le filtre à graisse en aluminium.

ATTENTION



- Le filtre à charbon ne doit jamais être lavé.
- Remplacez les filtres à charbon une fois tous les 3 mois.
- Vous pouvez obtenir un filtre à charbon actif auprès des services autorisés.

5 Installation de l'appareil



AVERTISSEMENT : Avant de commencer l'installation, lisez les informations de sécurité figurant dans le manuel d'utilisation.

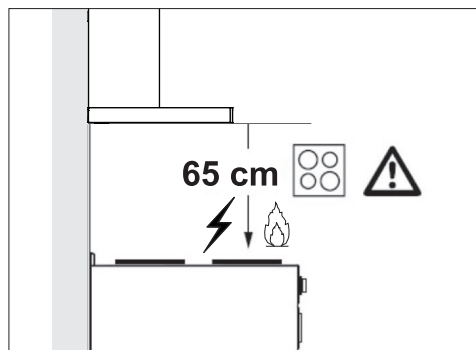


AVERTISSEMENT : Si l'installation n'est pas effectuée avec des vis et des stabilisateurs conformément à ces instructions, elle peut entraîner un choc électrique.

Pour l'installation de la hotte, veuillez contacter le Service autorisé le plus proche.

Il est de la responsabilité du client de préparer l'emplacement et l'installation électrique de la hotte.

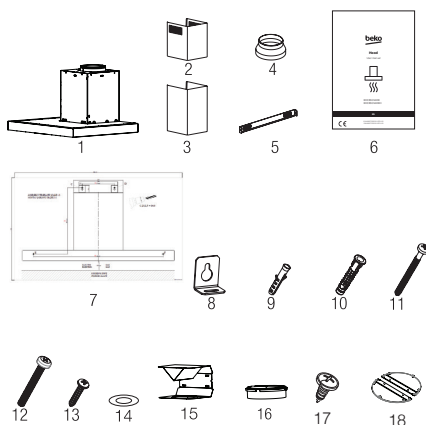
5.1 Fonctionnement de l'appareil



(Figure 6)

- La distance entre le cuiseur et la hotte doit être prise en compte avant le montage. Cette distance doit être de 65 cm (figure 6).
- La distance doit être mesurée à partir de la surface de la grille pour les cuisinières à gaz,
- à partir de la surface du verre pour les cuisinières électriques.

5.2 Accessoires d'installation



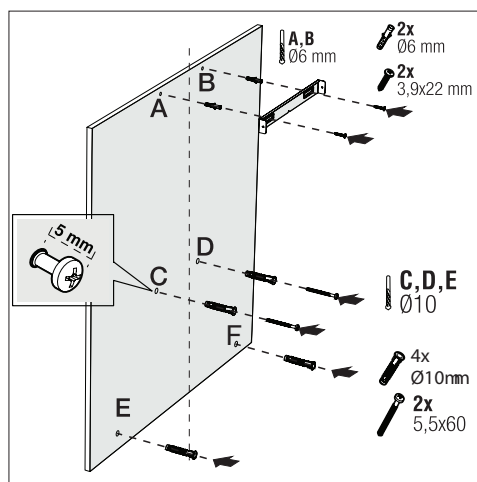
1. Produit
2. Conduit interne
3. Conduit externe
4. Adaptateur de conduit 150/120mm de diamètre
5. Plaque de connexion du conduit
6. Manuel de l'utilisateur
7. Schéma d'assemblage
8. 2X Plaques de suspension
9. Cheville en plastique 2 x Ø6 mm
10. Cheville en plastique 4 x 10 mm de diamètre
11. 4x 5.5 x 60 Vis de Fixation Murale
12. 2x M5x35Vis de Connexion de la Plaque de Suspension
13. Vis plate de connexion de conduit 2 x 3.9 x 22
14. Rondelle 2x M4
15. Déflecteur d'air
16. Adaptateur en Plastique (Inverseur d'Air)
17. Vis de plaque de raccordement de cheminée de 2x 3.5x9.5
18. Collier pour cheminée

Les informations nécessaires pour rendre l'emplacement approprié pour l'installation de la hotte sont données ci-dessous.

5 Installation de l'appareil

5.3 Montage mural

- Le mur doit être plat, droit et avoir une capacité de charge suffisante.
- La profondeur des trous percés doit correspondre à la longueur des boulons.
- Les boulons et chevilles fournis conviennent aux murs en briques. Pour les autres matériaux de construction (par ex. cloisons sèches, plaques, béton poreux), des chevilles et écrous de fixation appropriés doivent être utilisés.



(Figure 7)



ATTENTION : Avant de forer, assurez-vous qu'il n'y a pas de conduites d'électricité, de gaz ou d'eau à proximité des lieux de forage.

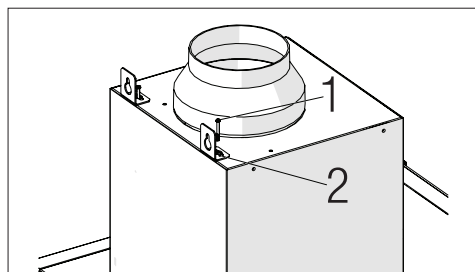
Tracez une ligne médiane à partir du plafond perpendiculairement au bord inférieur de la hotte.

Fixez le schéma de montage sur le mur. Pour les points A et B, prenez comme référence les dimensions maximales de la hotte, et percez les points A et B que vous avez marqués avec une mèche de 6 mm de diamètre, et taraudez les prises murales en plastique de 6 mm de diamètre.

Installez la plaque de raccordement de cheminée au mur avec 2 morceaux de vis 3,9 x 22 (Figure 8).

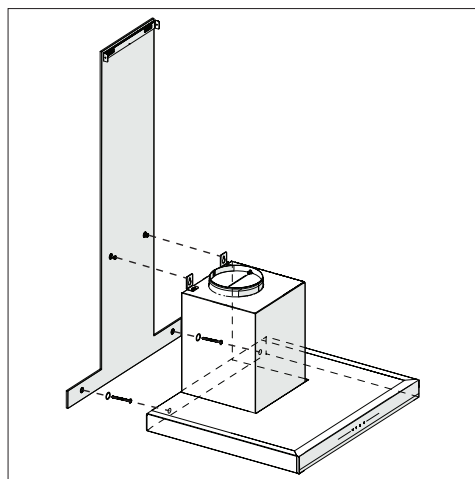
Pour installer le corps de la hotte, percez les points C, D, E, F indiqués dans le gabarit d'installation avec un foret de 10 mm de diamètre et taraudez des chevilles en plastique de 10 mm de diamètre à ces points (Figure 8).

Installez 2 pièces de vis de montage 5,5 x 60 aux points C et D avec un espace de 5 mm entre la tête de la vis et le mur (Figure 8).



(Figure 8)

Installez deux morceaux de plaques de suspension sur le corps du capot à l'aide de vis de fixation M5x35 (Figure 8).



(Figure 9)

5 Installation de l'appareil

Tenez la hotte par son corps et placez-la sur les vis de fixation au mur et serrez les vis (Figure 9).

Fixez les rondelles M4 sur les vis de suspension 5,5 x 60. Fixez la hotte à l'aide d'une vis 5,5 x 60 au mur par le trou de montage à l'intérieur de l'appareil (Figure 9).

5.4 Raccordement à la cheminée

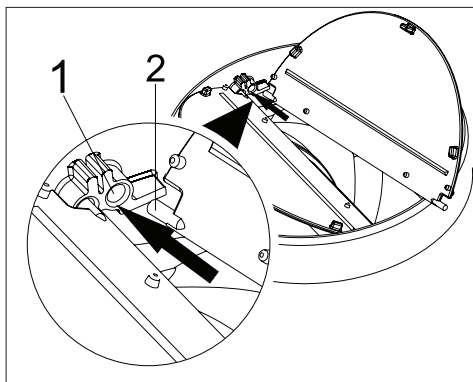
Si vous voulez utiliser l'adaptateur de cheminée en plastique de 120/150 mm de diamètre, connectez une extrémité du tuyau à cet adaptateur, si vous ne voulez pas l'utiliser pas, à la sortie directe sur le produit. Raccordez l'autre extrémité du tuyau à votre cheminée. Vérifiez que ces deux connexions sont suffisamment serrées pour qu'elles ne sortent pas lorsque l'appareil fonctionne à pleine puissance. Vérifiez si les volets à l'intérieur de la cheminée fonctionnent lorsqu'ils sont serrés avec le collier. Raccordez le conduit de raccordement de la cheminée à l'extérieur de l'adaptateur (Figure 11/a). Si le conduit de raccordement est fixé à l'intérieur de l'adaptateur, il n'y aura pas d'aspiration d'air ne doit pas se produire, car le rabat de la cheminée qui empêche le retour d'air restera fermé (Figure 11/b). La longueur de la connexion de tuyaux, tout comme le nombre de coudes, doit être la plus petite possible.

A : Tuyau de sortie de la cheminée

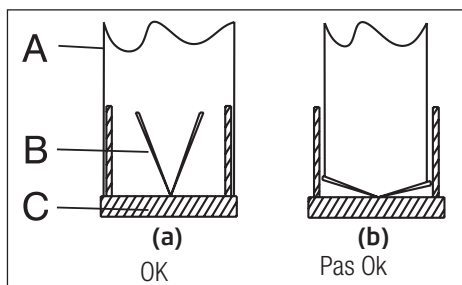
B : Volets de non-retour

C : Conduit de fumée en plastique

Les vannes sont fermées, puis l'appareil ne fonctionne plus et empêche l'éventuelle odeur extérieure et la poussière de pénétrer à l'intérieur.



(Figure 10)



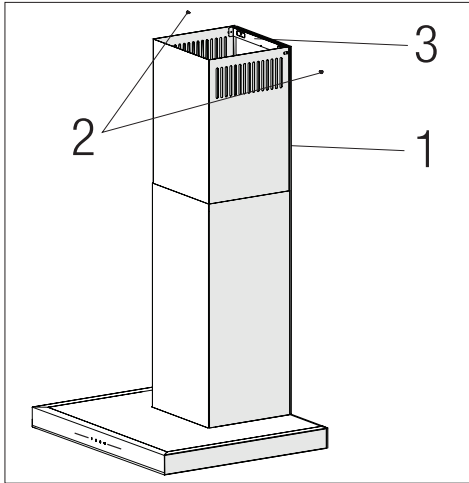
(Figure 11a/11b)

5.5 Installation de la hotte sur la cheminée

Effectuez le raccordement électrique de votre hotte avant de commencer l'installation de la cheminée. Faites glisser les plaques de cheminée autour du corps.

Installez la plaque de cheminée sur la plaque de fixation de la cheminée qui est fixée au mur par ses bords extérieurs supérieurs (Figure 12).

5 Installation de l'appareil

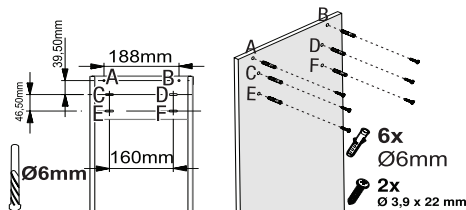


(Figure 12)

1. Cheminée intérieure
2. Vis 3,5 x 9,5
3. Plaque de raccordement de cheminée

5.6 Installation d'un déflecteur d'air (BHCB 93640 BH)

Lors de l'utilisation avec le filtre à charbon, un déflecteur d'air est fourni avec votre appareil dans le but de relâcher l'air qui est nettoyé avec le filtre à charbon de la perforation située sur le conduit de fumée. Montez le déflecteur d'air comme ci-dessous.



(Figure 13)

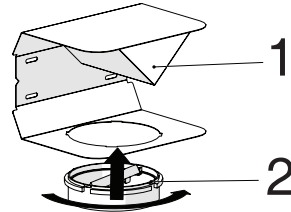
Il y a une languette au milieu de la plaque de raccordement du conduit de fumée. Placez le point central de cet onglet sur la ligne tracée perpen-

dicairement au mur. Alignez horizontalement et marquez les trous où la plaque de connexion sera montée à l'aide d'un stylo (Figure 13/A, B).

Percez les points marqués avec une mèche de Ø6 mm et insérez deux chevilles en plastique de Ø6 mm dans les trous percés (Figure 13/A, B).

Fixez la plaque de raccordement au mur avec des vis 3,9 x 22 (figure 13/A, B).

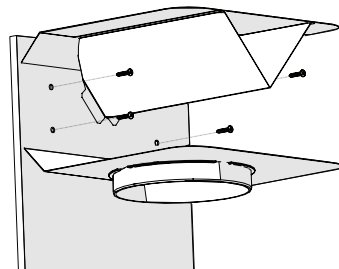
For air baffle assembly, install point C, D, E, F with Ø6mm drill and Ø6mm plastic dowels (Figure 13).



(Figure 14)

1. Déflecteur d'air
2. Conduit en Plastique

Fixez l'adaptateur de conduit de fumée en plastique, qui est inclus dans l'emballage, dans la direction du déflecteur d'air. Verrouillez l'adaptateur de conduit de fumée en le tournant dans le sens de la flèche (Figure 14).

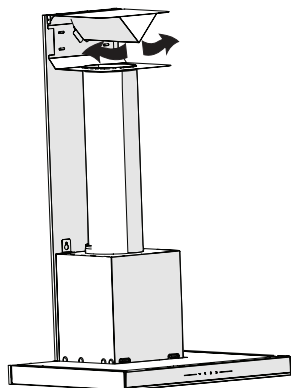


(Figure 15)

Assemblez le groupe de déflecteurs d'air avec des vis 3,9 x 22 à partir des points C, D, E, F que vous avez déjà préparés (Figure 13).

Assemblez le corps de la hotte (Figure 7).

5 Installation de l'appareil



(Figure 16)

1. Tuyau de sortie d'air en aluminium

Faites le montage du tuyau de sortie d'air (Figure 16).



Vu que la torsion et le pliage du tuyau en aluminium peuvent causer la réduction de la puissance d'aspiration de l'air, évitez de les utiliser autant que possible.

Installez les plaques de la hotte (Figure 12)

6 Dépannage

Dépannage	Problème	Solution
L'appareil ne fonctionne pas.	Vérifiez le fusible.	Il se peut que votre fusible soit coupé ; remettez-le en marche.
L'appareil ne fonctionne pas.	Vérifiez le branchement.	La tension du secteur doit être comprise entre 220 et 240 V.
L'appareil ne fonctionne pas.	Vérifiez le branchement.	Vérifiez si les autres appareils de votre cuisine fonctionnent ou pas.
L'ampoule ne fonctionne pas.	Vérifiez le branchement.	La tension du secteur doit être comprise entre 220 et 240 V.
L'ampoule ne fonctionne pas.	Vérifiez l'interrupteur de l'ampoule.	L'interrupteur de l'ampoule doit être en position « Allumé ».
L'ampoule ne fonctionne pas.	Vérifiez les ampoules.	Les ampoules de l'appareil ne doivent pas être défectueuses.
L'appareil n'aspire pas l'air correctement.	Vérifiez le filtre en aluminium.	L'aluminium du filtre doit être nettoyé au moins une fois par mois en conditions d'utilisation normales.
L'appareil n'aspire pas l'air correctement.	Vérifiez l'évent d'aération.	L'évent d'aération doit être en position « Marche ».
L'appareil n'aspire pas l'air correctement.	Vérifiez le filtre à charbon.	Pour les appareils dotés d'un filtre à charbon, celui-ci doit normalement être remplacé tous les 3 mois.

Lees eerst deze gebruikershandleiding!

Zeer gewaardeerde klant,

Bedankt voor uw voorkeur voor dit Beko-toestel. Wij hopen dat u de beste resultaten haalt uit uw toestel dat met hoge kwaliteit en de modernste technologie is geproduceerd. Lees daarom deze gehele gebruikershandleiding en alle andere bijgeleverde documenten zorgvuldig door voordat u het apparaat gaat gebruiken en bewaar deze ter referentie in de toekomst. Als u het product aan iemand anders geeft, overhandig dan ook de gebruikershandleiding. Volg de instructies op door op alle informatie en waarschuwingen te letten in de gebruikershandleiding.

Vergeet niet dat deze gebruikershandleiding ook van toepassing kan zijn op andere modellen. Verschillen tussen de modellen worden expliciet beschreven in de handleiding.

Betekenis van de symbolen

De volgende symbolen worden gebruikt in de verschillende delen van deze handleiding:



Belangrijke informatie en nuttige tips over het gebruik.



WAARSCHUWING: Waarschuwingen voor levensgevaarlijke situaties en schade aan eigendommen.



WAARSCHUWING: Waarschuwing voor brandgevaar.



WAARSCHUWING: Gevaar voor elektrische schok.



Dit apparaat is in een milieuvriendelijke, moderne faciliteit geproduceerd zonder het milieu op welke wijze dan ook te schaden.

1 Belangrijke veiligheids- en milieu-instructies

1.1 Algemene veiligheid

Belangrijke veiligheidsinstructies. Lees zorgvuldig en bewaar ter referentie in de toekomst Dit deel bevat veiligheidsinstructies die u beschermen tegen het risico op brand, elektrische schok, blootstelling aan lekkende magnetronstralen, persoonlijk letsel of materiële schade. Het niet opvolgen van deze instructies maakt elke garantie ongeldig.

- Beko-producten voldoen aan de van toepassing zijnde veiligheidsnormen; daarom moet in het geval van beschadiging aan het apparaat of het stroomsnoer dit worden gerepareerd of vervangen door de dealer, het servicecentrum of een specialist en erkende service om elk gevaar te vermijden. Verkeerd of niet-gekwalificeerd reparatiewerk kan gevaarlijk zijn en een risico vormen voor de gebruiker.
- Dit apparaat is bedoeld voor huishoudelijk gebruik en vergelijkbare toepassingen zoals:
 - personeelskeukens in winkels, kantoren en andere werkomgevingen;
 - boerderijen;
 - bij klanten in hotels en andere types van overnachtingsomgevingen;
 - omgevingen van het type bed-and-breakfast.
- Gebruik dit apparaat uitsluitend voor het beoogde doel zoals beschreven in deze handleiding.
- De producent kan niet aansprakelijk worden gehouden voor schade die is ontstaan door ongeschikte installaties of onjuist gebruik van het product.
- Dit apparaat kan worden gebruikt door kinderen vanaf 8 jaar en personen met verminderde fysieke, zintuiglijke of mentale vermogens, of met een gebrek aan ervaring en kennis, als deze onder toezicht staan of instructies hebben gekregen betreffende het veilige gebruik van het apparaat en op de hoogte zijn van de betrokken gevaren.

1 Belangrijke veiligheids- en milieu-instructies

- Laat kinderen niet met het apparaat spelen. Reiniging en gebruikersonderhoud dienen niet zonder toezicht door kinderen uitgevoerd te worden.
 - De minimale afstand tussen het ondersteunende oppervlak voor het kookgerei op de kookplaat en het laagste gedeelte van uw product moet minstens 65 cm zijn.
 - Als de installatie-instructies voor het gasfornuis een grotere afstand aangeeft, dient hier rekening mee te worden gehouden.
 - Zorg ervoor dat uw netstroom overeenkomt met de informatie die staat op het typeplaatje van het apparaat.
 - Gebruik het apparaat nooit als de stroomkabel of het apparaat zelf beschadigd is.
 - Vermijd schade aan de stroomkabel door knijpen, buigen of wrijven langs scherpe randen. Houd de stroomkabel uit de buurt van hete oppervlakken en open vuur.
 - Gebruik het apparaat uitsluitend met een geaard stopcontact.
- WAARSCHUWING:** Sluit het apparaat niet op het stroomnetwerk aan totdat de installatie volledig is afgerond.
- Plaats het apparaat zodanig dat de stekker altijd toegankelijk is.
 - De verlichting na langdurige werking niet aanraken. De lampen zijn heet en kunnen uw handen verbranden.
 - Volg de voorschriften op die door de deskundige autoriteiten zijn bepaald wat betreft de luchtafvoer (deze waarschuwing is niet van toepassing bij gebruik zonder rookkanaal).
 - Zet het apparaat aan nadat er een pan op de kookplaat is gezet. Anders kan de hoge warmte in sommige delen van uw product vervorming veroorzaken.
 - Zet de kookplaat uit voordat u de pan van de kookplaat haalt.
 - Laat geen hete olie achter op de kookplaat. Pannen met hete olie kunnen in brand vliegen.
 - Let op uw gordijnen en andere afdekkingen, want olie kan bij de bereiding van bijvoorbeeld patat in brand vliegen.

1 Belangrijke veiligheids- en milieu-instructies

- Vetfilters moeten minstens eens per maand worden vervangen. Koolstoffilters moeten minstens eens per 3 maanden worden vervangen.
 - Het product moet worden gereinigd in overeenstemming met de gebruikershandleiding. Als bij reiniging de gebruikershandleiding niet wordt opgevolgd, kan er brandgevaar ontstaan.
 - Gebruik in plaats van het huidige filter geen filtermaterialen die niet vuurbestendig zijn.
 - Gebruik alleen de originele onderdelen of onderdelen aanbevolen door de fabrikant.
 - Gebruik het product niet zonder filter en verwijder de filters niet als het product in werking is.
 - In het geval er vlammen ontstaan, schakelt u uw apparaat en kooktoestellen uit.
 - Bedek de vlammen als deze ontstaan en blus ze nooit met water.
 - Trek de stekker van het apparaat uit het stopcontact vóór elke reiniging en wanneer het apparaat niet in gebruik is.
 - De negatieve druk in de ruimte mag niet hoger zijn dan 4 Pa (4 x 10 bar) als de afzuigkap voor de elektrische kookplaat en apparaten op een andere energiebron werken, maar de stroom tegelijkertijd in werking is.
 - In de ruimte waar het apparaat wordt gebruikt, moeten de uitlaten van apparaten die op olie of gas werken, zoals een kamerverwarming, volledig worden geïsoleerd of het apparaat moet van een hermetisch afgesloten type zijn.
 - Gebruik om het rookkanaal aan te sluiten pijpen met een diameter van 120 of 150 mm. De pijp aansluiting moet zo kort mogelijk zijn en zo min mogelijk el-lebogen hebben.
 - Verstikkingsgevaar! Houd alle verpakkingsmaterialen uit de buurt van kinderen.
- LET OP:** Toegankelijke delen kunnen indien gebruikt met kookapparaten heet worden.
- De afvoer van het product mag niet worden aangesloten op luchtkanalen die een ander soort rook bevatten.

1 Belangrijke veiligheids- en milieu-instructies

- Er kan onvoldoende ventilatie in de ruimte zijn als de afzuigkap voor de elektrische kookplaat tegelijk wordt gebruikt met de toestellen die op gas of andere brandstoffen werken (dit is mogelijk niet van toepassing op apparaten die de lucht uitsluitend terug in de ruimte brengen).
- Op het product geplaatste voorwerpen kunnen vallen. Plaats geen voorwerpen op het product.
- Flambeer niet onder uw product.

WAARSCHUWING: Verwijder de beschermende folie voordat u de afzuigkap installeert.

- Zorg tijdens de werking dat er zich onder de afzuigkap nooit hoge vlammen bevinden.
- Frituurpannen moeten tijdens gebruik voortdurend onder toezicht staan: oververhitte olie kan in brand vliegen.

1.2 Naleving van de WEEE-norm en verwerking van afvalproducten:

Dit product voldoet aan de WEEE-norm van de EU (2012/19/EU). Dit product heeft een classificatiesymbool voor verwerking van elektrische en elektronische apparatuur (WEEE).



Dit symbool geeft aan dat dit product niet met ander huishoudelijk afval mag worden weggegooid aan het einde van zijn levensduur. Het gebruikte apparaat moet worden geretourneerd naar het officiële inzamelpunt voor recycling van elektrische en elektronische apparaten. Om deze inzamelpunten te vinden kunt u contact opnemen met uw lokale autoriteiten of detailhandelaar waar het product werd verkocht. Ieder huishouden voert een belangrijke rol uit in terugwinnen en recycling van oude apparatuur. Een juiste afvalbehandeling levert een bijdrage ter voorkoming van de negatieve gevolgen voor het milieu en de volksgezondheid.

1.3 Naleving van de RoHS-richtlijn

Het door u aangekochte product voldoet aan de EU RoHS-norm (2011/65/EU). Het bevat geen schadelijke en verboden materialen die in de norm zijn vermeld.

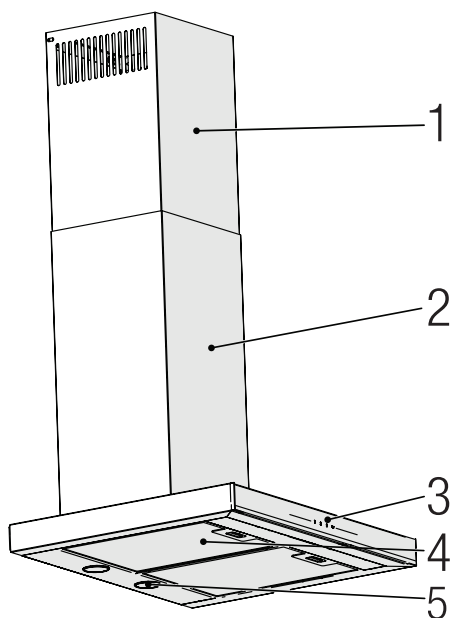
1.4 Verpakkingsinformatie



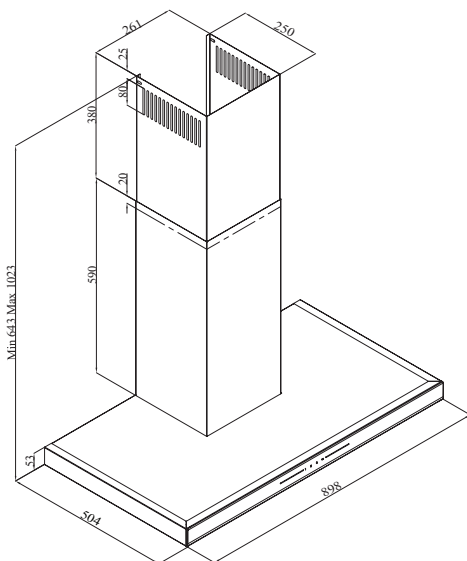
Verpakkingsmaterialen van het product zijn gemaakt uit recycleerbare materialen in overeenstemming met onze nationale milieuverordeningen. Gooi de verpakkingsmaterialen niet samen met het huishoudelijk afval of ander afval weg. Breng ze naar de inzamelpunten voor verpakkingsmaterialen aangewezen door de lokale instanties.

2 Algemeen uiterlijk

2.1 Overzicht



(Afbeelding 1)



(Afbeelding 2)

BHCB 93640 B
BHCB 93640 BH

Bediening en onderdelen

1. Interne schouw
2. Externe schouw
3. Bedieningspaneel
4. Aluminium vetfilter
5. Verlichting

2.2 Technische gegevens

Model	BHCB 93640 B	BHCB 93640 BH
Netspanning en frequentie	220-240V~ 50 Hz	
Lampvermogen	2x3 W	
Motorvermogen	210 W	
Debiet – 3. Niveau	645 m ³ /h	
Isolatieklasse van de motor	Klasse F	
Isolatieklasse	Klasse I	

3 Werking van het apparaat

3.1 Bediening van het toestel

			
Sleutel	Functie		
A : Licht aan/uit	U kunt het kookgedeelte verlichten door op deze toets te drukken. Druk nogmaals op de knop om de lamp uit te schakelen.		
B : 1. Fase knop	Bedient het apparaat op 1e snelheid. Wanneer u nogmaals op deze toets drukt om het apparaat uit te schakelen, wordt de snelheid van het scherm uitgeschakeld.		
C : 2. Faseknop	Bedient het apparaat op 2e snelheid. Wanneer u nogmaals op deze toets drukt om het apparaat uit te schakelen, wordt de snelheid van het scherm uitgeschakeld.		
D : 3e fase knop	Bedient het apparaat op 3e snelheid. Wanneer u nogmaals op deze toets drukt om het apparaat uit te schakelen, wordt de snelheid van het scherm uitgeschakeld.		

3.2 Energie-efficiënt gebruik

- Wanneer u uw apparaat gebruikt, moet u de snelheidsinstellingen aanpassen aan de intensiteit van de damp en de geur, om energie te besparen.
- Gebruik lage snelheden (1-2) onder normale omstandigheden, en hoge snelheden (3) voor intense geur en damp.
- De lampen op de afzuigkap zijn geplaatst voor het verlichten van de kookzone.
- Het gebruik ervan voor milieuverlichting moet leiden tot onnodige energie-uitgaven en onvoldoende verlichting.

3.3 De bediening van de afzuigkap

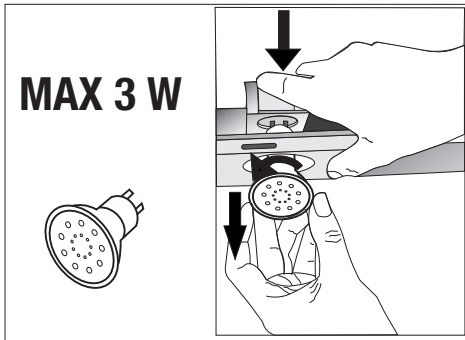
- Uw toestel bevat een motor met verschillende snelheden.
- Voor betere prestaties raden wij aan om lage snelheden te gebruiken onder normale omstandigheden en hoge snelheden in geval van sterke geuren en intense dampen.
- U kunt uw apparaat starten door op de gewenste snelheidsinsteltoets te drukken. (B, C, D).
- U kunt het kookgedeelte verlichten door op de lamp (A) te drukken.

3.4 Automatische stop

Uw toestel heeft een automatische stopfunctie, waardoor het wat meer kan ventileren en de ongewenste geuren en dampen in de omgeving kan verwijderen en automatisch kan worden uitgeschakeld nadat het koken is gedaan. Om de automatische stopfunctie in te schakelen, drukt u langer dan 2 seconden op de knop voor een willekeurige snelheidstrap (A, B, C) op het bedieningspaneel; de 15-minuten-timerfunctie wordt geactiveerd. Wanneer de automatische stopfunctie actief is, moet door het indrukken van dezelfde snelheidstoets de automatische stopfunctie worden uitgeschakeld en moet de motor van het apparaat stoppen. Deze functie wordt uitgeschakeld wanneer u tussen verschillende snelheidsfasen schakelt. Als u wilt dat het apparaat automatisch stopt, moet u de automatische stopfunctie weer inschakelen.

3 Werking van het apparaat

3.5 Vervanging van de lamp



(Afbeelding 3)

Maak de elektrische aansluitingen van het apparaat. Uw toestel maakt gebruik van een 3W-spots LED-lamp. Voor het vervangen van de lampen duwt u de houder van achteren naar beneden, draait u deze tegen de klok in en haalt u deze naar beneden. Pas de bovenstaande handeling in omgekeerde volgorde toe om nieuwe lampen te installeren (Afbeelding 3).

Lamp	
Lampvermogen (W)	3 W
Houder / Stopcontact	GZ 10
Lampspanning	220 - 240 V
Afmeting	53*50 mm
ILCOS Code	DR/F3-220-240-GZ10-50-53
Lichtstroom	260 lm
Gecorreleerde kleurtemperatuur	3000 K

Dit product bevat een lichtbron van energie efficiëntieklasse "F".

3.6 Bediening met schouwaansluiting

-  De damp wordt afgezogen via het rookkanaal, dat aan de aansluitkop op de kap wordt bevestigd.
- De diameter van het rookkanaal moet gelijk zijn aan de aansluiting. Bij een horizontale opstelling moet de buis een lichte opwaartse helling hebben (ongeveer 10°), zodat de lucht gemakkelijk de ruimte kan verlaten.

3.7 Bediening zonder schouwaansluiting

-  De lucht wordt door het koolstoffilter gefilterd en in de ruimte gerecirculeerd. Koolstoffilter wordt gebruikt wanneer het onmogelijk is om een rookgasafvoer in huis te gebruiken.
- Bij gebruik zonder afvoer verwijdert u de kleppen in de rookgasadapter.
- Het aluminium vetfilter verwijderen. Om het koolstoffilter te installeren, plaatst u het filter op de lipjes door het te centreren op het kunststofstuk aan beide zijden van het ventilatorhuis. draai het vast door naar rechts of naar links te draaien.
- Het aluminium vetfilter vervangen.

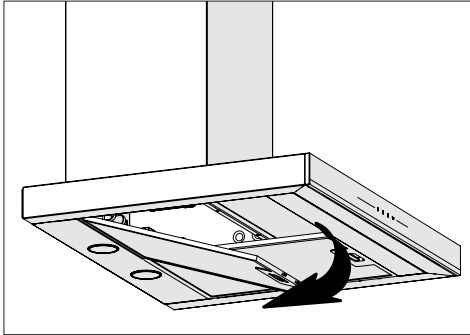
4 Reiniging en onderhoud



Trek de stekker uit het stopcontact of zet de schakelaar uit voordat u het product reinigt en onderhoudt.

4.1 Reiniging van het aluminium vetfilter

Het aluminium vetfilter wordt gebruikt om de olie-deeltjes in de lucht vast te houden. Het aluminiumfilter kunnen na herhaalde reiniging van kleur veranderen. Dit is normaal, en u hoeft uw filters niet te vervangen.



(Afbeelding 4)

- Duw het aluminium vetfilter naar voren.
- Trek het dan iets omlaag en verwijder het (Afbeelding 4). Anders kun je het filter buigen. Was en spoel het aluminium vetfilter met vloeibaar reinigingsmiddel en vervang het aluminium vetfilter op hun zittingen door de bovenstaande stappen uit te voeren in omgekeerde volgorde. Dit aluminium vetfilter wordt gebruikt om de olie-deeltjes in de lucht vast te houden.

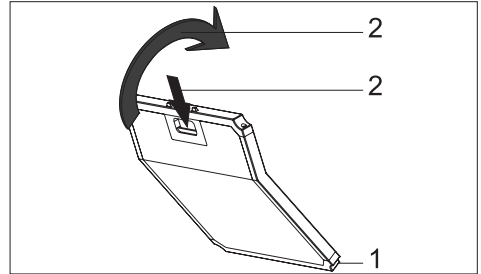


U mag het aluminium vetfilter ook wassen in de wasmachine.



OPGELET: Bij normaal gebruik dient u uw aluminium vetfilter één keer per maand te reinigen.

4.2 Vervanging van de koolstoffilters



(Afbeelding 5)

- Het apparaat dat u gekocht hebt, is geschikt voor gebruik met koolstoffilters.
- Verwijder het aluminium vetfilter (Afbeelding 4).
- Plaats het onderste deel van het koolstoffilter in de motorkast (Afbeelding 5).
- Druk op het lipje van het koolstoffilter en duw het naar voren, en zorg ervoor dat de lipjes van het koolstoffilter ingeschakeld en vergrendeld zijn (Afbeelding 5).
- Het aluminium vetfilter bevestigen.

OPGELET



- Koolstoffilter mag nooit worden gewassen.
- Vervang de koolstoffilters eens in de 3 maanden.
- Het koolstoffilter is verkrijgbaar bij de geautoriseerde diensten.

5 Installatie van het apparaat



WAARSCHUWING: Lees de veiligheidsinformatie in de gebruikershandleiding voordat u met de installatie begint.

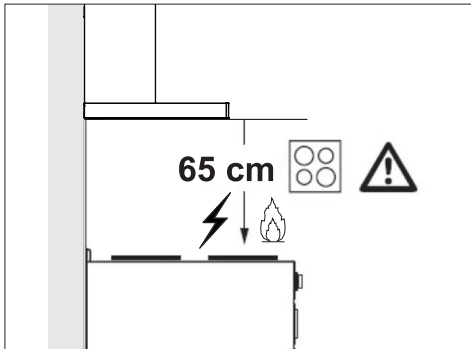


WAARSCHUWING: Het niet installeren met schroeven en stabilisatoren in overeenstemming met deze instructies kan leiden tot elektrische schokken.

Neem voor de installatie van de kap contact op met de dichtstbijzijnde geautoriseerde service.

Het is de verantwoordelijkheid van de klant om de locatie en de elektrische installatie van de kap voor te bereiden.

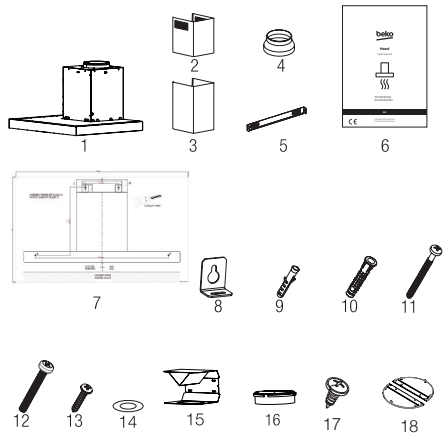
5.1 Positie van het apparaat



(Afbeelding 6)

- De afstand tussen het kooktoestel en de afzuigkap moet vóór de montage in acht worden genomen. Deze afstand moet 65 cm bedragen (Afbeelding 6).
- Bij gasfornuizen moet de afstand tot het oppervlak van het rooster worden gemeten,
- Van het glazen oppervlak voor elektrische fornuizen.

5.2 Installatie accessoires



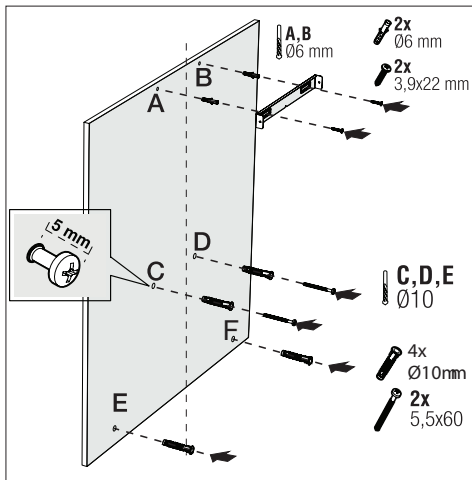
1. Product
2. Binnenkanaal
3. Buitenste rookkanaal
4. Ø150/120mm Rookgasadapter
5. Schoorsteenaansluiting Plaatje
6. Gebruikershandleiding
7. Assemblage patroon
8. 2x klemplaat
9. 2x Ø6mm Plastic deuvcl
10. 4x Ø10mm Plastic deuvcl
11. 4x 5.5x60 Wandmontageschroef
12. 2x M5x35 Hanging Plate Connection Screw
13. 2x 3.9x22 Muurbevestigingsschroef
14. 2x M4 sluitring
15. Luchtfilter
16. Plastic adapter (luchtomleiding)
17. 2 x 3,5 x 9,5 schoorsteen verbingsplaat schroef
18. Schoorsteenkleml

De informatie die nodig is om de locatie geschikt te maken voor de installatie van de kap wordt hieronder gegeven.

5 Installatie van het apparaat

5.3 Wandmontage

- De wand moet vlak en recht zijn en voldoende draagkracht hebben.
- De diepte van de boorgaten moet overeenkomen met de lengte van de bouten.
- De meegeleverde bouten en deuvels zijn geschikt voor gemetselde muren. Voor ander bouw materiaal (bv. gipsplaat, plaat, poreus beton) moeten geschikte bevestigingsdonsels en moeren worden gebruikt.



(Afbeelding 7)



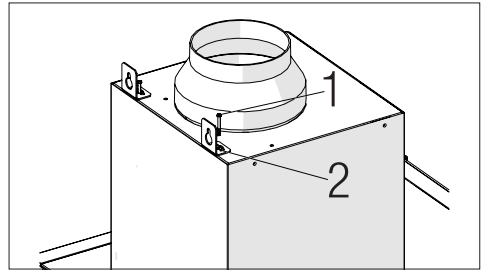
OPGELET: Controleer voor het boren of er geen stroom-, gas- of waterleidingen in de nabijheid van de boorlocaties liggen.

Trek een middellijn vanaf het plafond loodrecht op de onderrand van de kap.

Bevestig het montageschema aan de muur. Neem voor de punten A en B de maximale afmetingen van de kap als referentie, en de boorpunten A en B heeft u gemarkeerd met $\varnothing 6$ mm boor, en tik op $\varnothing 6$ mm kunststof wandpluggen. Monteer de rookgas aansluitplaat aan de wand met 2 stuks 3.9x22 schroeven (Afbeelding 8).

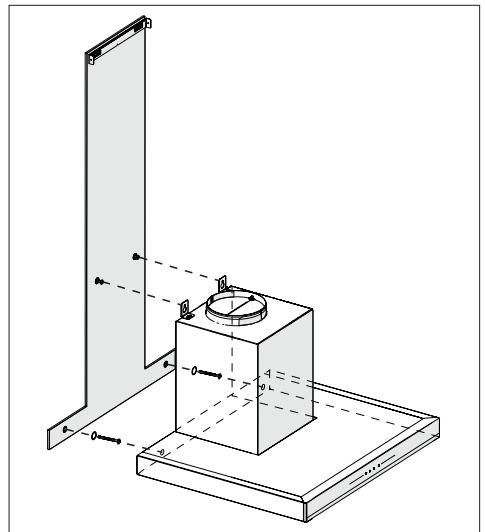
Voor de montage van de kapbehuizing worden de in het installatiesjabloon aangegeven boorpunten C,D,E,F met een boor van $\varnothing 10$ mm en een kunststof plug $\varnothing 10$ mm naar deze punten getapt (Afbeelding 8).

Installeer 2 stuks 5,5x60 montageschroeven op de punten C en D met een vrije ruimte van 5 mm tussen de schroefkop en de wand. (Afbeelding 8).



(Afbeelding 8)

Installeer twee ophangplaatjes op de carrosserie van de kap met M5x35 montageschroeven (Afbeelding 8).



(Afbeelding 9)

Houd de afzuigkap bij de romp vast en plaats deze op de bevestigingsschroeven aan de wand en draai de schroeven vast (Afbeelding 9).

5 Installatie van het apparaat

Monteer M4 sluitringen op de 5,5x60 ophangbouten. Bevestig de afzuigkap met 5,5x60 schroeven aan de wand door het bevestigingsgat aan de binnenzijde van het toestel (Afbeelding 9).

5.4 Aansluiten op de schoorsteen

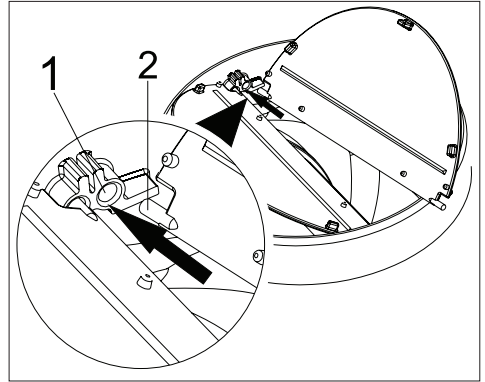
Als u de kunststof rookgasadapter Ø 120/150 mm gaat gebruiken, sluit u één uiteinde van de buis aan op deze adapter, als u deze niet gaat gebruiken, op de directe uitgang van het product. Sluit het andere uiteinde van de buis aan op uw rookkanaal. Controleer of deze twee aansluitingen stevig genoeg zijn, zodat ze er niet uitkomen als het apparaat op volle kracht draait. Controleer of de kleppen in het rookkanaal werken als ze zijn aangedraaid. Klemmen, Sluit het rookgasaansluitkanaal buiten de adapter aan (Afbeelding 11/a). Als het aansluitkanaal in de adapter is gemonteerd, mag er geen lucht worden aangezogen, omdat de rookgasklep die de luchtafvoer verhindert, gesloten blijft (Afbeelding 11 / b). De lengte van de pijp aansluiting en het aantal ellebogen moet zo klein mogelijk zijn.

A : Rookgasafvoerpijp

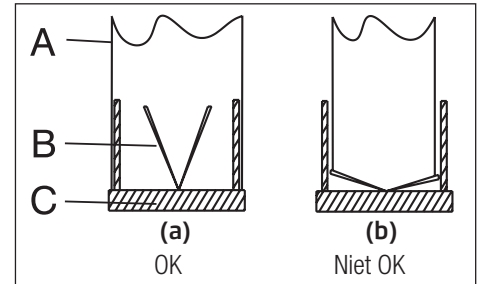
B : Niet-terugkeerflappen

C: Kunststof rookkanaal

De ventielen zijn gesloten dan werkt het toestel niet en voorkomen dat er mogelijk geur en stof van buitenaf binnendringt.



(Afbeelding 10)



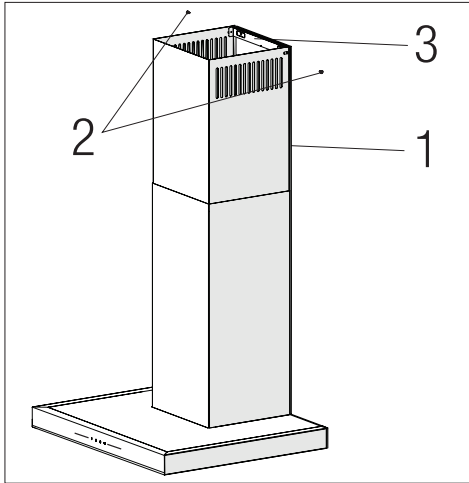
(Afbeelding 11a/11b)

5.5 Installatie van de kap op de rookgasafvoer

Maak de elektrische aansluiting van uw afzuigkap voordat u begint met de installatie van de rookgasafvoer. Schuif de rookkanaalplaten rond het apparaat.

Installeer het rookkanaal op de bevestigingsplaat van het rookkanaal, die vanaf de bovenste buitenranden aan de muur is bevestigd (Afbeelding 12).

5 Installatie van het apparaat

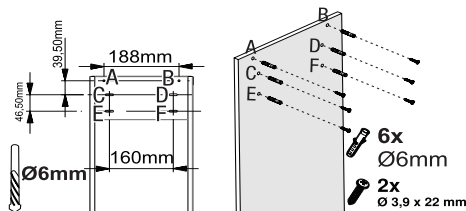


(Afbeelding 12)

1. Interne schouw
2. 3,5X9,5 schroef
3. Rookgasaansluit plaatje

5.6 Installatie van het Air Baffle (BHCB 93640 BH)

Tijdens het gebruik van de koolstoffilter wordt het luchtfilter bij uw toestel geleverd met als doel de lucht die met de koolstoffilter is gereinigd, weer vrij te maken van de geperforeerde plaats op de schoorsteen. Monteer het luchtschot zoals hieronder.



(Afbeelding 13)

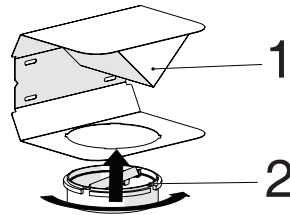
Er zit een lipje in het midden van de rookgasaansluitplaat. Plaats het middelste punt van dit lipje op de lijn die loodrecht op de muur is getekend.

Lijn horizontaal uit en markeer de gaten waar de aansluitplaat met een pen wordt gemonteerd (Afbeelding 13/A, B).

Boor de gemarkeerde punten met $\text{Ø}6\text{mm}$ boor en steek twee $\text{Ø}6\text{mm}$ plastic deuvels in de geboorde gaten (Afbeelding 13/A, B).

Bevestig de rookgasaansluitplaat aan de wand met 3,9x22 schroeven (Afbeelding 13/A, B).

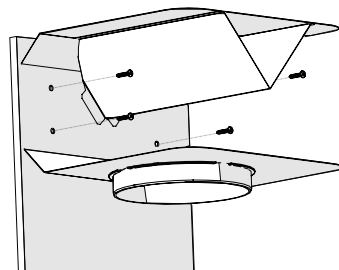
Voor de montage van het luchtschot monteert u punt C, D, E, F met $\text{Ø}6\text{mm}$ boormachine en $\text{Ø}6\text{mm}$ kunststof deuvels (Afbeelding 13).



(Afbeelding 14)

1. Luchtfilter
2. Kunststof rookkanaal

Bevestig de plastic rookgasadapter, die in de verpakking zit, in de richting van het luchtgordijn. Vergrendel de rookgasadapter door deze in de richting van de pijl te draaien (Afbeelding 14).

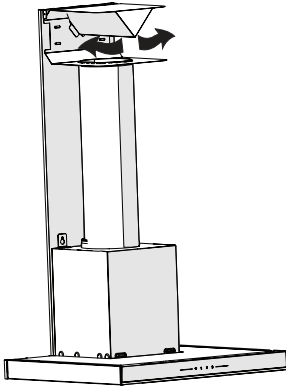


(Afbeelding 15)

Monteer de luchtgroep met 3,9 x 22 schroeven van punt C, D, E, F die u al heeft voorbereid (Afbeelding 13).

Monteer de motorkapbody (Afbeelding 7).

5 Installatie van het apparaat



(Afbeelding 16)

1. Aluminium luchtuitlaatpijp

Maak de luchtuitblaaspijp montage (Afbeelding 16).



Aangezien kronkels en bochten in de aluminium buis zullen resulteren in een lager afzuigvermogen moet u kronkels en bochten zo veel mogelijk vermijden.

Installeer de schoorsteenplaten van de kap (Afbeelding 12)

6 Probleemoplossing

Probleemoplossing	Reden	Help
Het product werkt niet.	Controleer uw zekering.	Uw zekering is mogelijk afgesloten, schakel ze in.
Het product werkt niet.	Controleer de elektrische aansluiting.	De netspanning moet tussen 220-240 V bedragen.
Het product werkt niet.	Controleer de elektrische aansluiting.	Controleer of de andere producten in uw keuken werken.
De lamp werkt niet.	Controleer de elektrische aansluiting.	De netspanning moet tussen 220-240 V bedragen.
De lamp werkt niet.	Controleer de schakelaar van de lamp.	De lampschakelaar moet in de "Aan" positie staan.
De lamp werkt niet.	Controleer de lampen.	De lampen van het product mogen niet defect zijn.
De luchtinlaat van het product is slecht.	Controleer het aluminium filter.	Het aluminium oliefilter moet één maal per maand worden gewassen bij normaal gebruik.
De luchtinlaat van het product is slecht.	Controleer het luchtuitlaat rookkanaal.	Het luchtuitlaat rookkanaal moet in de "Aan" positie staan.
De luchtinlaat van het product is slecht.	Controleer het koolstoffilter.	Voor producten met koolstoffilters moet het filter normaal gezien elke drie maanden worden vervangen.

პირველ რიგში, წაიკითხეთ ეს სახელმძღვანელო!





ძვირფასო მომხმარებელო,

მადლობას გიხდით BEKO-ს პროდუქტის არჩევისთვის. გვსურს უზრუნველვყოთ ოპტიმალური ეფექტურობა ამ მაღალი ხარისხის პროდუქტის გამოყენებისას, რომელიც წარმოებულია თანამედროვე ტექნოლოგიის გამოყენებით. მოწყობილობის გამოყენებამდე აუცილებლად წაიკითხეთ და გაიაზრეთ ამ სახელმძღვანელოს და დამატებითი დოკუმენტაციის შინაარსი და გამოიყენეთ ისინი ცნობისთვის. მოწყობილობის სხვა პირისთვის გადაცემისას ასევე გადაეცით ეს სახელმძღვანელო. გაეცანით სახელმძღვანელოში წარმოდგენილ ყველა გაფრთხილებას და ინფორმაციას და დაიცავით მითითებები.

გაითვალისწინეთ, რომ მოცემული მომხმარებლის სახელმძღვანელო შეიძლება ვრცელდებოდეს პროდუქტის რამდენიმე მოდელზე. სახელმძღვანელოში მკაფიოდ მითითებულია სხვადასხვა მოდელების ვარიანტები.

სიმბოლოები და მათი მნიშვნელობები

მოცემულ სახელმძღვანელოში გამოყენებულია შემდეგი სიმბოლოები:

- | | |
|--|--|
|  | მნიშვნელოვანი ინფორმაცია და რეკომენდაციები მოწყობილობის გამოყენებასთან დაკავშირებით. |
|  | გაფრთხილება: გაფრთხილება ფიზიკური დაზიანების ან ქონების დაზიანების რისკის შესახებ. |
|  | გაფრთხილება ელექტრული შოკის რისკის შესახებ. |
|  | გაფრთხილება ხანძრის გაჩენის რისკის შესახებ. |



რეციკლირებული და
გადამუშავებადი ქაღალდი

მოცემული პროდუქტი წარმოებულია თანამედროვე ქარხანაში, რომელშიც დაცულია გარემოს დაცვის ნორმები და რომელიც არ ავნებს გარემოს.

1.1 ზოგადი უსაფრთხოება

მნიშვნელოვანი ინსტრუქციის უსაფრთხოებასთან დაკავშირებით –

ყურადღებით წაიკითხეთ და შეინახეთ ის მომავალში ცნობისთვის გამოსაყენებლად.

ეს ნაწილი მოიცავს უსაფრთხოების ინსტრუქციებს, რომლებიც დაგიცავთ ხანძრის გაჩენის, ელექტრული შოკის, ფიზიკური დაზიანებისა და ქონების დაზიანების რისკისგან. მოცემული ინსტრუქციების და უცვლლობის შემთხვევაში გარანტია უქმდება.

• Beko-ს პროდუქცია შეესაბამება უსაფრთხოების მოქმედ სტანდარტებს. შეესაბამისა და მოწყობილობის ან

მისი ელექტროკვების კაბელის დაზიანების შემთხვევაში, მისი შეკეთება ან შეცვლა უნდა განხორციელდეს დილერის, სერვისცენტრის, სპეციალისტის ან ავტორიზებული სამსახურის მიერ. შეკეთების არასწორმა ან არასაკმარისმა ოპერაციებმა შეიძლება გამოიწვიოს რისკი და საფრთხე შეუქმნას მომხმარებელს.

• ეს პროდუქტი არ არის განკუთვნილი კომერციული გამოყენებისთვის, იგი განკუთვნილია სახლში და შემდეგ პირობებში გამოსაყენებლად:

– მალაზიების, ოფისებისა და სხვა სამუშაო სივრცეების პერსონალისთვის განკუთვნილ სამზარეულოში;

- სოფლის სახლში;
- სასტუმროებში, მოტელებში ან სხვა საცხოვრებელ ობიექტებზე;
- ჰოსტელებში ან მსგავს გარემოში.
- გამოიყენეთ მოწყობილობა მხოლოდ ამ სახელმძღვანელოში აღწერილი დანიშნულებისამებრ.
- მწარმოებელი არ აგებს პასუხს დაზიანებაზე, რომელიც გამოწვეულია მოწყობილობის არასწორი მონტაჟით ან გამოყენებით.
- ამ მოწყობილობის გამოყენება შეუძლიათ 8 წლის და უფროსი ასაკის ბავშვებს, შეზღუდული ფიზიკური, სენსორული ან მენტალური უნარის მქონე ადამიანებს ან არასაკმარისი გამოცდილებით თუ ცოდნის მქონე პირებს მხოლოდ იმ პირობით, რომ მათ მიერ მოწყობილობის გამოყენება მოხდება ზედამხედველობის ქვეშ ან მათ გააცნობენ მოწყობილობის უსაფრთხო გამოყენების ინსტრუქციებს, რომლებსაც ისინი გაიაზრებენ.
- ბავშვებმა არ უნდა დაარღვიონ მოწყობილობის უსაფრთხოების სისტემა. დაუშვებელია მოწყობილობის გასუფთავებისა და ტექნიკური მომსახურების ოპერაციების შესრულება ბავშვების მიერ ზრდასრულების მეთვალყურეობის გარეშე.
- მოწყობილობა უნდა დამონტაჟდეს ისე, რომ მინიმალური მანძილი მოწყობილობის ძირსა და იმ ზედაპირს

შორის, რომელზეც თავსდება სამზარეულოს ხელსაწყოები, შეადგენდეს 65 სმ-ს.

- თუ გაზქურის მონტაჟის ინსტრუქცია ითვალისწინებს ზემოთ მითითებულზე უფრო დიდ მანძილს, აუცილებელია მისი დაცვა.
- დარწმუნდით, რომ თქვენი ელექტროქსელი შეესაბამება მოწყობილობის ტექნიკურ პასპორტში მითითებულ ინფორმაციას.
- ნუ გამოიყენებთ მოწყობილობას, თუ მისი ელექტროკვების კაბელი დაზიანებულია.
- ელექტროკვების კაბელის დაზიანების თავიდან ასაცილებლად ნუ წაუჭერთ, ნუ მოუჭერთ მას და არ ახახუნოთ ის წვეტიან საგნებზე. ნუ განათავსებთ

ელექტროკვების კაბელს ცხელ ზედაპირებთან და ღია ალთან ახლოს.

- ჩართეთ მოწყობილობა მხოლოდ დამიწებულ ელექტროროზეტში.
- გაფრთხილება: ნუ ჩართავთ მოწყობილობას ელექტროქსელში მონტაჟის დასრულებამდე.
- განათავსეთ მოწყობილობა ისე, რომ ელექტროკვების კაბელის შემაერთებელი ადვილად ხელმისაწვდომი იყოს.
- ნუ შეეხებით ხელით პროდუქტის სანათებს, როდესაც ისინი ჩართულია ხანგრძლივი დროის განმავლობაში. შეიძლება მიიღოთ დამწვრობა, რადგან სანათები ცხელი იქნება.
- დაიცავით უფლებამოსილი ორგანოების მიერ მითითებული წესები და ინსტრუქციები

- გამომავალი ჰაერის გარეთ გაშვების თაობაზე. (ეს გაფრთხილება არ ვრცელდება კვამლსარიინის გარეშე გამოყენებაზე.)
- ჩართეთ პროდუქტი ქურაზე ჭურჭლის მოთავსების შემდეგ. წინააღმდეგ შემთხვევაში, მაღალმა ტემპერატურამ შეიძლება გამოიწვიოს საგნების დეტალების დეფორმაცია.
 - გამორთეთ ქურის კომფორტი, სანამ იქიდან ჭურჭელს გადმოდგამთ.
 - ნუ დატოვებთ მდულარე ზეთს ქურაზე. მდულარე ზეთის შემცველ ჭურჭელს შეიძლება გაუჩნდეს ცეცხლი.
 - რადგან ზეთს შეიძლება გაუჩნდეს ცეცხლი პროდუქტის შეწვისას, გამოიჩინეთ სიფრთხილე ფარდების და მაგიდის გადასაფარებლების მიმართ.
 - გარეცხეთ ზეთის ფილტრები თვეში ერთხელ. შეცვალეთ ნახშირის ფილტრები 3 თვეში ერთხელ.
 - პროდუქტის დროულად პერიოდულად გაუსუფთავებლობამ შეიძლება წარმოქმნას ხანძრის გაჩენის რისკი.
 - ნუ გამოიყენებთ ფილტრის ნაცვლად არაცეცხლმდეგ საფილტრე მასალებს.
 - გამოიყენეთ მხოლოდ ორიგინალური ან მწარმოებლის მიერ მოწოდებული ნაწილები.
 - ნუ გამოიყენებთ პროდუქტს ფილტრის გარეშე და ნუ მოხსნით ფილტრებს პროდუქტის გამოყენების დროს.
 - ცეცხლის გაჩენის შემთხვევაში, გამორთეთ მოწყობილობა და სამზარეულოს სხვა ხელსაწყოები ელექტროქსელიდან.

(გათიშეთ ელექტროკვების კაბელი როზეტიდან ან გამორთეთ მთავარი გადამრთველის მეშვეობით).

- ცეცხლის გაჩენის შემთხვევაში, დააფარეთ რამე ალს. არასოდეს გამოიყენოთ ალის ჩასაქრობად წყალი.
- გასუფთავება მდე ყოველთვის გათიშეთ მოწყობილობა ელექტროქსელიდან და არ გაწმინდოთ მოწყობილობა მისი გამოყენების დროს.
- ელექტროგამწოვის და ელექტრობისგან განსხვავებული ენერჯით მომუშავე სხვა მოწყობილობების ერთდროული გამოყენებისას უარყოფითი წნევა სივრცეში არ უნდა აღემატებოდეს 4 პა-ს (4 X 10 ბარს).

• პროდუქტთან ერთ სივრცეში გაზზე ან თხევად საწვავზე მომუშავე მოწყობილობები, როგორცაა ოთახის გამათბობელი, სრულად უნდა იყოს იზოლირებული პროდუქტის გამოსაშვები მილისგან ან უნდა იყოს ჰერმეტიული.

• პროდუქტისთვის კვამლსარიწის შეერთების მოწყობისას გამოიყენეთ 150 მმ ან 120 მმ დიამეტრის მქონე მილები. მილის შეერთების სიგრძე და მუხლების რაოდენობა რაც შეიძლება ნაკლები უნდა იყოს.

• გაგუდვის რისკი! შეინახეთ შესაფუთი მასალა ბავშვებისთვის მიუწვდომელ ადგილას.

• გაფრთხილება: ქურასთან და სამზარეულოს სხვა ხელსაწყოებთან ერთად გამოყენების შემთხვევაში პროდუქტის

ხელმისაწვდომი ნაწილები შეიძლება ცხელი იყოს.

- დაუშვებელია გამწოვის გამოსაშვები მილის შეერთება ისეთ სავენტილაციო მილებთან, რომლებთანაც შეერთებულია კვამლის სხვა წყაროები.
- ელექტროგამწოვის გაზზე ან სხვა საწვავზე მომუშავე მოწყობილობებთან ერთდროულად გამოყენებისას სივრცე საკმარისად უნდა ნიავედებოდეს. ეს გაფრთხილება არ ვრცელდება კვამლსარინის გარეშე გამოყენებაზე (გამოყენებაზე ნახშირის ფილტრით).
- მოწყობილობაზე განთავსებული საგნები შეიძლება ჩამოვარდეს. ნუ მოათავსებთ საგნებს

მოწყობილობაზე.

- მკაცრად აკრძალულია პროდუქტის გახეთქვა მოწყობილობის ქვეშ.
- გაფრთხილება: გამწოვის დამონტაჟებამდე მოაცილეთ დამცავი აპკი.
- ნუ დატოვებთ ღია ალს მოწყობილობის ქვეშ მისი გამოყენების დროს.
- დიდი რაოდენობით ზეთში შეწვანდა ხდებოდეს მეთვალყურეობის ქვეშ. მაღალ ტემპერატურამდე გაცხელებულ ზეთს შეიძლება გაუჩნდეს ცეცხლი.

1.2 შესაბამისობა WEEE

რეგულაციებთან და ნარჩენების უტილიზაცია

მოცემული პროდუქტი არ შეიცავს საშიშ და აკრძალულ ნივთიერებებს, რომლებიც მითითებულია თურქეთის გარემოს დაცვის და ურბანული დაგეგმარების სამინისტროს მიერ გამოცემულ „ელექტრო- და ელექტრონული მოწყობილობების ნარჩენების კონტროლის რეგულაციებში“. შეესაბამება WEEE რეგულაციებს.



მოცემული პროდუქტი
და მ ა მ უ ა დ ე ბ უ ლ ი ა
გადამუშავებადი და
განმეორებით გამოყენებადი
მაღალი ხარისხის

დეტალებისა და მასალებისგან.
შესაბამისად, პროდუქტის
ექსპლუატაციის ვადის გასვლის
შემდეგ ნუ მოახდენთ მის
უტილიზაციას სხვა საყოფაცხოვრებო
ნარჩენებთან ერთად. ჩააბარეთ
ელექტრო- და ელექტრონული
მოწყობილობის ჩაბარების პუნქტში.
ასეთი პუნქტების შესახებ
ინფორმაციისთვის მიმართეთ
ადგილობრივ ადმინისტრაციულ
ორგანოებს. შეგიძლიათ დაგვეხმაროთ
გარემოსა და ბუნებრივი რესურსების
დაცვაში გამოყენებული პროდუქტების
გადასამუშავებლად ჩაბარებით.

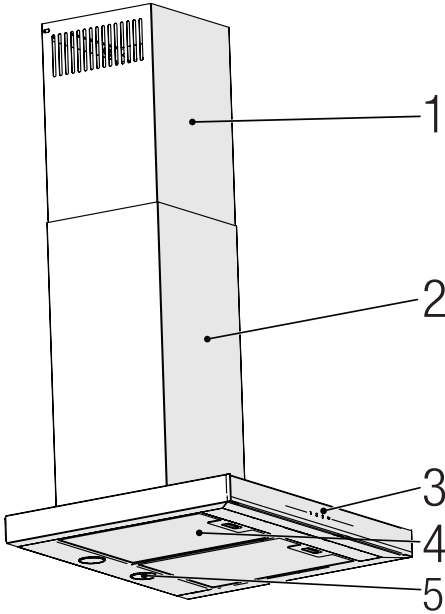
1.3 პროდუქტის შეფუთვა



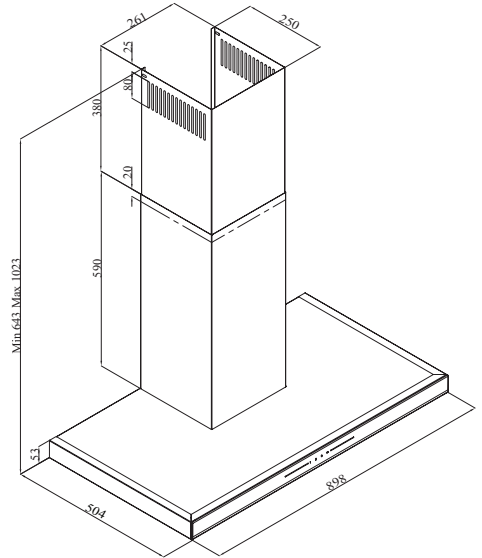
მ ო წ ყ ო ბ ი ლ ო ბ ი ს თ ვ ი ს
გამოყენებული შეფუთვა
და მ ა მ უ ა დ ე ბ უ ლ ი ა
გ ა დ ა მ უ შ ა ვ ე ბ ა დ ი
მასალებისგან. მოახდინეთ შეფუთვის
უტილიზაცია ცალკე, ადგილობრივი
ორგანოების რეგულაციების
შესაბამისად, რათა გარემოს დაცვის
მიზნით უზრუნველყოფილი იქნეს
მოწყობილობის შეფუთვის
გადამუშავება.

2 ზოგადი გარეგნული სახე

2.1 მიმოხილვა



(ნახატი 1)



(ნახატი 2)

BHCB 93640 B
BHCB 93640 BH





1. შიდა კვამლსარინი
2. გარე კვამლსარინი
3. მართვის პანელი
4. ალუმინის ზეთის ფილტრები
5. ქურის გამანათებელი

2.2 ტექნიკური მონაცემები

მოდელი	BHCB 93640 B	BHCB 93640 BH
ელექტროქსელის ძაბვა	220-240V ~ 50 Hz	
სანათის სიმძლავრე	2 x 3 ვტ	
ძრავის სიმძლავრე	210 ვტ	
ნაკადის სიჩქარე – 3. დონე	645 მ ³ /სთ	
ძრავის იზოლაციის კლასი	კლასი F	
იზოლაციის კლასი	კლასი I	

3 მოწყობილობის გამოყენება

3.1 მოწყობილობის მართვა

	1	2	3
			
			
ლილაკი	ფუნქცია		
A : განათების ჩართვა / გამორთვა	ამ ლილაკის დაჭერით შეგიძლიათ ჩართოთ განათება, რომელიც გაანათებს ქურას. სანათის გამოსართავად ხელახლა დააჭირეთ ლილაკს.		
B : 1. ფაზის ლილაკი	მოწყობილობის გაშვება 1-ლი სიჩქარით. მ ო წ ყ ო ბ ი ლ ო ბ ი ს გამოსართავად ამ ლილაკის განმეორებით დაჭერისას სიჩქარის ფაზა გამოირთვება.		
C : 2. ფაზის ლილაკი	მ ო წ ყ ო ბ ი ლ ო ბ ი ს გაშვება მე-2 სიჩქარით. მ ო წ ყ ო ბ ი ლ ო ბ ი ს გამოსართავად ამ ლილაკის განმეორებით დაჭერისას სიჩქარის ფაზა გამოირთვება.		
D : მე-3 ფაზის ლილაკი	მ ო წ ყ ო ბ ი ლ ო ბ ი ს გაშვება მე-3 სიჩქარით. მ ო წ ყ ო ბ ი ლ ო ბ ი ს გამოსართავად ამ ლილაკის განმეორებით დაჭერისას სიჩქარის ფაზა გამოირთვება.		

3.2 ენერგოეფექტური გამოყენება ენერჯის დაზოგვის თვალსაზრისით გამოყენება

- ენერჯის დასაზოგად მოწყობილობის გამოყენებისას დაარეგულირეთ სიჩქარის პარამეტრები ორთქლის და სუნის ინტენსივობის შესაბამისად.
- ჩვეულებრივ პირობებში გამოიყენეთ

დაბალი სიჩქარეები (1-2), ხოლო ინტენსიური სუნისა და ორთქლის შემთხვევაში გამოიყენეთ მაღალი სიჩქარე (3).

- სანათები გამწოვზე განლაგებულია ქურის გასანათებლად.
- ამ სანათების საერთო განათების მიზნით გამოყენება გამოიწვევს ენერჯის ზედმეტ ხარჯს და სივრცის არასაკმარის განათებას.

3.3 გამოყენების ინსტრუქცია

- მოწყობილობა შეიცავს ძრავას, რომელიც სხვადასხვა სიჩქარეებზე მუშაობს.
- ეფექტურობის გასაუმჯობესებლად გირჩევთ გამოიყენოთ დაბალი სიჩქარე ჩვეულებრივ პირობებში და მაღალი სიჩქარე ძლიერი სუნისა და ინტენსიური ორთქლის შემთხვევაში.
- ჩართეთ მოწყობილობა სიჩქარის სასურველი პარამეტრის ლილაკზე დაჭერით. (B, C, D)
- სანათზე (A) დაჭერით შეგიძლიათ გაანათოთ ქურის სივრცე.

3.4 ავტომატური გათიშვა

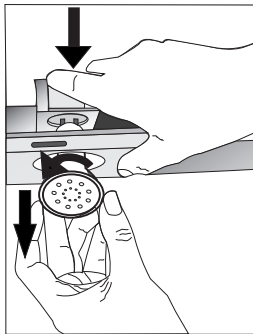
მოწყობილობას აქვს ავტომატური გათიშვის ფუნქცია, რომელიც უზრუნველყოფს დამატებით განიავებას და არასასურველი სუნის და ორთქლის მოცილებას და ავტომატურად ითიშება საკვების მომზადების დასრულების შემდეგ. ავტომატური გათიშვის ფუნქციის გასააქტიურებლად დააჭირეთ ნებისმიერი სიჩქარის ლილაკს (B, C, D) მართვის პანელზე 2 წამზე მეტი ხნით – გააქტიურდება 15-წუთიანი ტაიმერის ფუნქცია. როდესაც გააქტიურებულია

3 მოწყობილობის გამოყენება

ავტომატური გათიშვის ფუნქცია, იმავე ღილაკზე დაჭერა გამორთავს მას და ძრავას. სხვადასხვა სიჩქარეებს შორის გადართვისას ეს ფუნქცია ითიშება. თუ გსურთ, მოწყობილობა ავტომატურად გაითიშოს, საჭიროა ხელახლა გაააქტიუროთ ავტომატური გათიშვის ფუნქცია.

3.5 სანათის შეცვლა

MAX 3 W



(ნახატი 3)

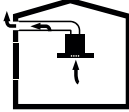
გამართეთ მოწყობილობის ელექტრო შეერთებები. მოწყობილობაში გამოიყენება 3 ვტ წერტილოვანი LED სანათი. სანათების შესაცვლელად დააწეით ბუდეს უკანა მხრიდან, დაატრიალეთ საათის ისრის საწინააღმდეგო მიმართულებით და მოხსენით სანათი. ახალი სანათების დასაყენებლად გაიმეორეთ იგივე პროცედურა საწინააღმდეგო თანმიმდევრობით (ნახატი 3).

ნათურა	
ნათურის სიმძლავრე	3 ვტ
ბუდე / როზეტი	GZ 10

ნათურის ძაბვა	220 - 240 ვ
ზომა	53 x 50 მმ
ILCOS კოდი	DR/F3-220-240-GZ10-50-53
მანათობელი ნაკადი	260 lm
კოორდინაციური ფერის ტემპერატურა	3000 K

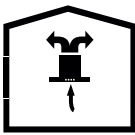
ეს პროდუქტი შეიცავს ენერგოეფექტურობის კლასის "F" სინათლის წყაროს.

3.6 გამოყენება კვამლსარიანის შეერთებით

-  ორთქლის გარეთ გაშვება ხდება კვამლსარიანის მილის მეშვეობით, რომელიც მიერთებულია გამწოვის თავზე არსებულ შეერთებასთან.

- კვამლსარიანის მილის დიამეტრი უნდა იყოს შემაერთებელი რგოლის დიამეტრის ტოლი. ჰორიზონტალური მონტაჟის დროს მილს უნდა ჰქონდეს მცირე აღმავალი დახრილობა (დაახლოებით 10°), რათა ადვილად მოხდეს ნამუშევარი ჰაერის მოცილება სივრციდან.

3.7 გამოყენება კვამლსარიანის შეერთების გარეშე

-  ნახშირის ფილტრი ფილტრავს ჰაერს და ხდება ჰაერის რეცირკულირება სივრცეში. ნახშირის ფილტრი გამოიყენება მაშინ, როდესაც კვამლსარიანის გამოყენება სახლში შეუძლებელია.

3 მოწყობილობის გამოყენება

- კვამლსარინის გარეშე გამოყენებისას მოხსენით საფრები კვამლსარინის ადაპტერის შიგნით.
- მოხსენით ზეთის ფილტრი. ნახშირის ფილტრის დასამონტაჟებლად მოათავსეთ ფილტრი ჩანართებში პლასტმასის დეტალზე მისი ცენტრირებით ვენტილატორის კორპუსის ორივე მხარეს. დაამაგრეთ მარჯვნივ ან მარცხნივ მისი დატრიალებით.
- შეცვალეთ ალუმინის ზეთის ფილტრი.



პროდუქტის გასუფთავებამდე და მასზე ტექნიკური მომსახურების სამუშაოების შესრულებამდე გათიშეთ იგი ელექტროქსელიდან ან გამორთეთ მთავარი გადამრთველის გამოყენებით.

თავის ბუდეებში ზემოაღნიშნული ნაბიჯების საწინააღმდეგო თანმიმდევრობით შესრულებით. მოცემული ალუმინის ზეთის ფილტრები გამოიყენება ჰაერში არსებული ზეთის ნაწილაკების შესაკავებლად.



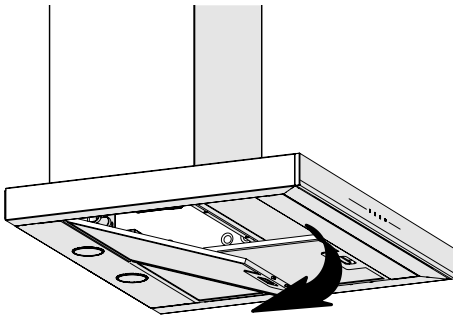
ასევე შეგიძლიათ გარეცხოთ ალუმინის ზეთის ფილტრები სარეცხ მანქანაში.



გაფრთხილება: ჩვეულებრივ პირობებში გამოყენებისას გაასუფთავეთ ალუმინის ზეთის ფილტრი თვეში ერთხელ.

4.1 ალუმინის ზეთის ფილტრების გასუფთავება

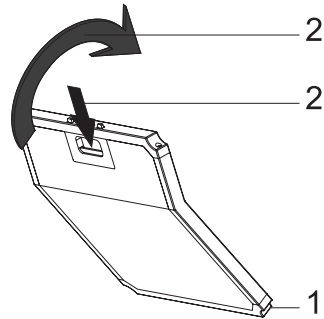
ალუმინის ზეთის ფილტრი გამოიყენება ჰაერში არსებული ზეთის ნაწილაკების შესაკავებლად. განმეორებითი გასუფთავების შემდეგ ალუმინის ფილტრის ფერი შეიძლება შეიცვალოს. ეს ნორმალურია და არ საჭიროებს ფილტრის შეცვლას.



(ნახატი 4)

- წანაცვლეთ წინ ალუმინის ზეთის ფილტრის ფიქსატორი.
- შემდეგ ოდნავ დააწეკით და ამოიღეთ (ნახატი 4). ალტერნატიულად, შეგიძლიათ მოღუნოთ ფილტრი. გარეცხეთ და გამორეცხეთ ალუმინის ზეთის ფილტრები თხევადი სარეცხი საშუალებით და ისევ ჩასვით ალუმინის ზეთის ფილტრები


4.2 ნახშირის ფილტრების შეცვლა




(ნახატი 5)

- თქვენ მიერ შეძენილი მოწყობილობა გამოსადეგია ნახშირის ფილტრებთან ერთად გამოსაყენებლად.
- მოხსენით ალუმინის ზეთის ფილტრები (ნახატი 4).
- მოათავსეთ ნახშირის ფილტრის ქვედა ნაწილი ძრავის კამერაში (ნახატი 5).


- დააჭირეთ ნახშირის ფილტრის ჩანართზე, წინ წაანაცვლეთ და დარწმუნდით, რომ ნახშირის ფილტრის ჩანართები გააქტიურებული და დაფიქსირებულია. (ნახატი 5).
- დააყენეთ ალუმინის ზეთის ფილტრები.

	გაფრთხილება
	• ნახშირის ფილტრი არასოდეს არ უნდა გარეცხოთ.
	• შეცვალეთ ნახშირის ფილტრები 3 თვეში ერთხელ.
	• ნახშირის ფილტრი შეგიძლიათ შეიძინოთ ავტორიზებულ სერვისცენტრებში.

5 მოწყობილობის მონტაჟი



გ ა ფ რ თ ხ ი ლ ე ბ ა :
მონტაჟის დაწყებამდე წაიკითხეთ ინფორმაცია უსაფრთხოების შესახებ მომხმარებლის სახელმძღვანელოში.

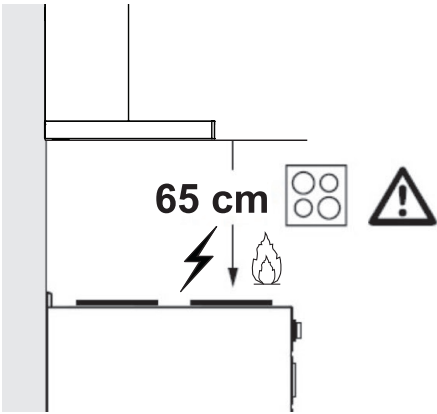


გაფრთხილება: ამ ინსტრუქციების შესაბამისად ხრახნებისა და სტაბილიზატორების გამოყენების მონტაჟის შეუსრულებლობამ შეიძლება გამოიწვიოს ელექტრული შოკი.

გამწოვის დამონტაჟებისთვის მიმართეთ უახლოეს ავტორიზებულ სერვისცენტრს.

გამწოვისთვის ადგილის და ელექტრული შეერთებების მომზადება მომხმარებლის პასუხისმგებლობაა.

5.1 მოწყობილობის განლაგება

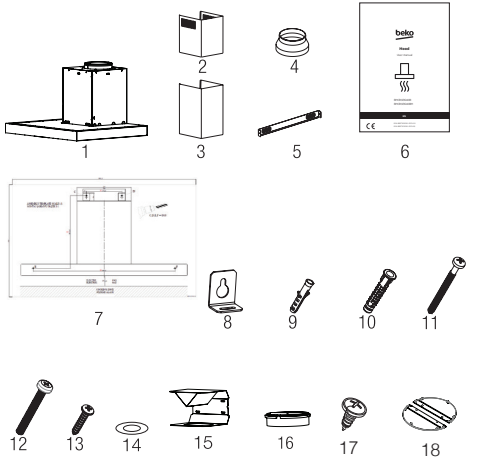


- (ნახატი 6)
- დამონტაჟებამდე აუცილებელია დამონტაჟებამდე აუცილებელია

გაითვალისწინოთ საჭირო მანძილი ქურასა და გამწოვს შორის. მანძილი უნდა იყოს 65 სმ (ნახატი 6).

- მანძილი უნდა გაიზომოს გაზეჟურის ცხაურის ზედაპირიდან და
- ელექტროქურის მინის ზედაპირიდან.

5.2 სამონტაჟო აქსესუარები

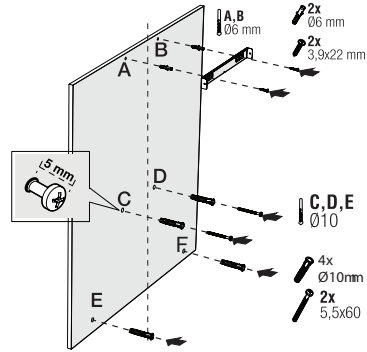


1. პროდუქტი
2. შიდა კვამლსარინი
3. გარე კვამლსარინი
4. Ø150/120 მმ კვამლსარინის ადაპტერი
5. კვამლსარინის შემაერთებელი პანელი
6. მომხმარებლის სახელმძღვანელო
7. ანაწყობის ტიპი
8. 2x შესაკიდი პანელი
9. 2x Ø6 მმ პლასტმასის დიუბელი
10. 4x Ø10 მმ პლასტმასის დიუბელი
11. 4x 5.5x60 კედლის სამაგრის ხრახნი
12. 2x M5x35 შესაკიდი პანელის შეერთების ხრახნი

5 მოწყობილობის მონტაჟი

- 13. 2x 3.9x22 კვამლსარინის შემაერთებელი პანელის ხრახნი
- 14. 2x M4 შუასადები
- 15. ჰაერის ამრეკლი
- 16. პლასტმასის ადაპტერი (ჰაერის სარინი)
- 17. 2x3.5x9.5 კვამლსადენის მართებელი ზესადებისხრახნი
- 18. კვამლსადენის ლითონის მომჭერი

ინფორმაცია გამწოვის მონტაჟისთვის შესაფერისი ადგილის შესახებ მოცემულია ქვემოთ.



((ნახატი 7))

5.3 კედელზე დამონტაჟება

- კედელი უნდა იყოს ბრტყელი, სწორი და უნდა ჰქონდეს საკმარისი ზიდვის უნარი.
- გაბურღული ნახვრეტების სიღრმე უნდა შეესაბამებოდეს ჭანჭიკების სიგრძეს.
- კომპლექტში არსებული ჭანჭიკები და დიუბელები გამოსადეგია აგურის კედლებისთვის. სხვა სამშენებლო მასალის შემთხვევაში (მაგ., თაბამირ-მუყაო, ფილა, ფორიზებული ბეტონი) საჭიროა შესაბამისი დამაფიქსირებელი დიუბელებისა და ქანჩების გამოყენება.

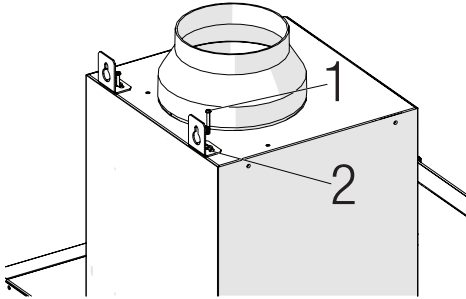
	<p>გ ა ფ რ თ ხ ი ლ ე ბ ა : კედლის გაბურღვამდე დარწმუნდით, რომ გაბურღვის ადგილთან ახლოს არ არის განლაგებული ელექტრო, გაზის ან წყლის მილები.</p>
--	---

დახაზეთ შუა ხაზი ჭერიდან გამწოვის ქვედა კიდის პერპენდიკულარულად. დააყენეთ ანაწყობი კედელზე. A და B წერტილებისთვის გაითვალისწინეთ გამწოვის მაქსიმალური ზომები და მონიშნული წერტილები A და B გაბურღეთ Ø6 მმ ბურღით, შემდეგ ჩასვით Ø6 მმ პლასტმასის დიუბელები. კედელზე დაამაგრეთ კვამლსარინის შემაერთებელი პანელი 2 ცალი 3.9x22 ხრახნით (ნახატი 8).

გამწოვის კორპუსის დასამონტაჟებლად გაბურღეთ წერტილები C, D, E, F რომლებიც მითითებულია მონტაჟის შაბლონში, Ø10 მმ ბურღით და ჩასვით Ø10 მმ დიუბელები ამ წერტილებში (ნახატი 8).

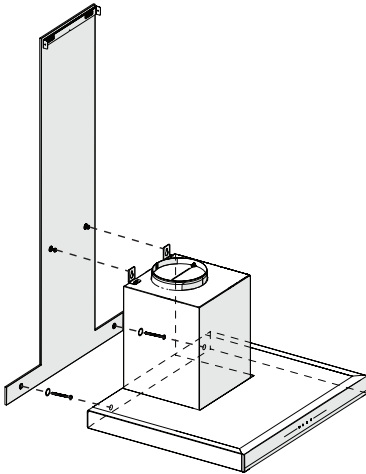
დააყენეთ 2 ცალი 5.5x60 სამონტაჟო ხრახნი C და D წერტილებში თავსა და კედელს შორის 5 მმ დაშორებით (ნახატი 8).

5 მოწყობილობის მონტაჟი



(ნახატი 8)

დააყენეთ ორი ცალი შესაკიდი პანელი გამწოვის კორპუსზე M5x35 სამონტაჟო ხრახნებით (ნახატი 8).



(ნახატი 9)

დაიჭირეთ გამწოვი კორპუსით და განათავსეთ კედელზე დამონტაჟებულ სამონტაჟო ხრახნებზე, შემდეგ მოუჭირეთ ხრახნებს (ნახატი 9).

დააყენეთ M4 შუასადები 5.5x60 საკიდრის ხრახნზე. დაამაგრეთ გამწოვი კედელზე 5.5x60 ხრახნით მოწყობილობის შიდა მხარეს არსებული სამონტაჟო ნახვრეტის მეშვეობით (ნახატი 9).

5.4 შეერთება კვამლსარინთან

თუ აპირებთ $\varnothing 120/150$ მმ პლასტმასის კვამლსარინის ადაპტერის გამოყენებას, შეაერთეთ მილის ერთი ბოლო ამ ადაპტერთან; თუ არ აპირებთ მის გამოყენებას, შეაერთეთ პირდაპირ პროდუქტის გამომყვანთან. მილის მეორე ბოლო შეაერთეთ კვამლსარინთან. შეამოწმეთ, რომ ორივე შეერთება კარგად იყოს დამაგრებული, რათა არ მოდუნდეს მოწყობილობის სრული სიმძლავრით მუშაობისას. შეამოწმეთ, რომ საფრები კვამლსარინის შიგნით მუშაობს, როცა ისინი დამაგრებულია

ფიქსატორებით. შეაერთეთ კვამლსარინის შემაერთებელი მილი ადაპტერის გარეთ (ნახატი 11/a). თუ შემაერთებელი მილი დაყენებული იქნება ადაპტერის შიგნით, ჰაერის შეწოვა არ მოხდება, რადგან კვამლსარინის საფარი, რომელიც ხელს უშლის ჰაერის უკან გამოდინებას, დახურული დარჩება (ნახატი 11/b). მილის შეერთების სიგრძე და მუხლების რაოდენობა უნდა იყოს რაც შეიძლება ნაკლები.

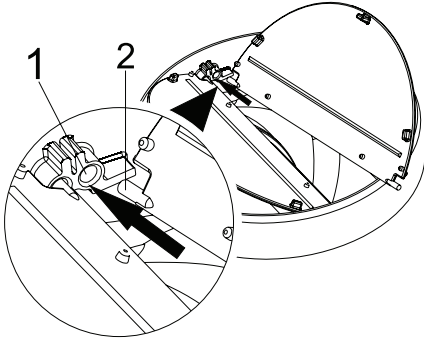
A : კვამლსარინის გამოსაშვები მილი

B : არარევერსული საფრები

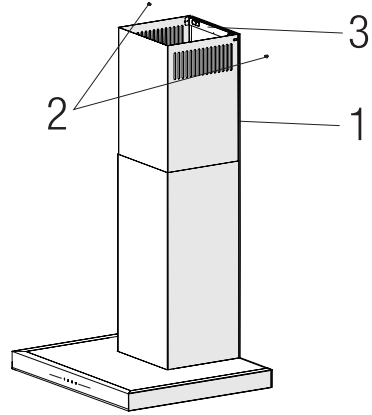
C : პლასტმასის კვამლსარინი

როცა მოწყობილობა არ მუშაობს, სარქველები დახურულია და ხელს უშლის სუნის და მტერის შიგნით მოხვედრას.

5 მოწყობილობის მონტაჟი



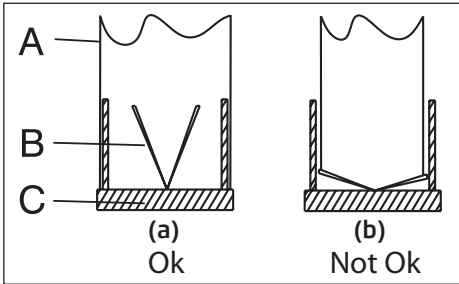
(ნახატი 10)



(ნახატი 12)

- 1. შიდა კვამლსარინი
- 2. 3.5x9.5 ხრახნი
- 3. კვამლსარინის პანელი

შემაერთებული



(ნახატი 11)

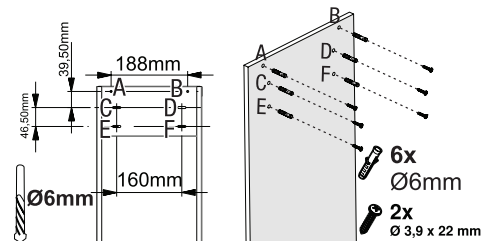
5.5 გამწოვის დამონტაჟება კვამლსარინზე

კვამლსარინის მონტაჟის დაწყებამდე გამართეთ ელექტრო შეერთებები. კვამლსარინის პანელები გადაადგილეთ კორპუსის გარშემო.

დამონტაჟეთ კვამლსარინის პანელი სამაგრ პანელზე, რომელიც დამაგრებულია კედელზე ზედა გარე კიდის მხარეს (ნახატი 12).

5.6 ჰაერის ამრეკლის მონტაჟი (BHCB 93640 BH)

ნახშირის ფილტრის გამოყენების შემთხვევაში, მოწყობილობის კომპლექტში შედის ჰაერის ამრეკლი, რომელიც ხელს უშლის ნახშირის ფილტრით გასუფთავებული ჰაერის გამოდინებას კვამლსარინის ადგილას არსებული ხვრელიდან. ჰაერის ამრეკლის აწყობის წესი აღწერილია ქვემოთ.



(ნახატი 13)

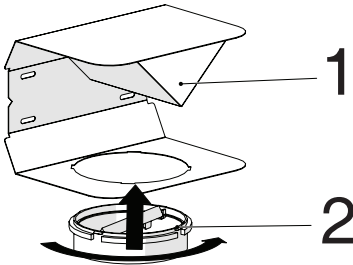
5 მოწყობილობის მონტაჟი

კვამლსარინის შემაერთებელი პანელის შუაში არის ჩანართი. ამ ჩანართის შუა წერტილი განლაგეთ კედლის პერპენდიკულარულად გავლებულ ხაზზე. ჰორიზონტალურად გაასწორეთ და კალმით მონიშნეთ ნახვრეტების ადგილები, სადაც დამონტაჟდება შემაერთებელი პანელი (ნახატი 13/A, B).

გაბურღეთ მონიშნული ადგილები ორი Ø6 მმ ბურღით და ჩასვით 2 Ø6 მმ პლასტმასის დიუბელი გაბურღულ ნახვრეტებში (ნახატი 13/A, B).

კედელზე დაამაგრეთ კვამლსარინის შემაერთებელი პანელი 3.9x22 ხრახნებით (ნახატი 13/A, B).

ჰაერის ამრეკლის დასამონტაჟებლად გაბურღეთ წერტილები C, D, E, F Ø6 მმ ბურღით და ჩასვით Ø6 მმ პლასტმასის დიუბელები (ნახატი 13).

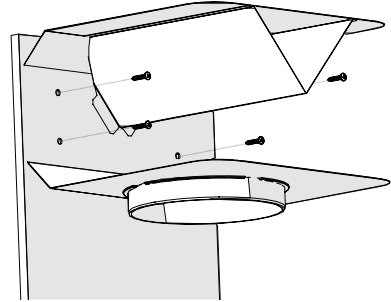


(ნახატი 14)

1. ჰაერის ამრეკლი

2. პლასტმასის კვამლსარინი

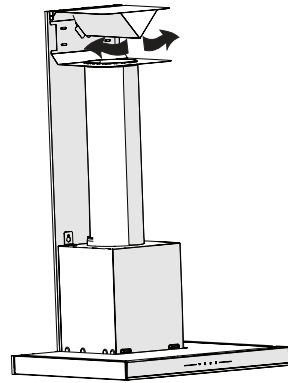
მიამაგრეთ კომპლექტში შემავალი პლასტმასის კვამლსარინის ადაპტერი ჰაერის ამრეკლის მიმართულებით. დააფიქსირეთ კვამლსარინის ადაპტერი მისი დატრიალებით ისრის მიმართულებით (ნახატი 14).



(ნახატი 15)

დააყენეთ ჰაერის ამრეკლის ბლოკი 3.9 x 22 ხრახნებით მომზადებულ წერტილებში C, D, E, F (ნახატი 13).

დააყენეთ გამწოვის კორპუსი (ნახატი 7).



(ნახატი 11)

1. ჰაერის გამომშვები ალუმინის მილი დააყენეთ ჰაერის გამომშვები მილი (ნახატი 16).



იმის გამო, რომ ალუმინის მილის მოლუნვა გამოიწვევს ჰაერის შეწოვის სიმძლავრის შემცირებას, მაქსიმალურად ეცადეთ არ მოლუნოთ მილი.

დამონტაჟეთ გამწოვის კვამლსარინის პანელები (ნახატი 12).

პრობლემების აღმოფხვრა	ძირითადი მიზეზი	დახმარება
მოწყობილობა არ მუშაობს.	შეამოწმეთ მცველები.	შესაძლოა, მცველი გადაიწვა, შეამოწმეთ და გამოცვალეთ ის.
მოწყობილობა არ მუშაობს.	შეამოწმეთ ელექტრო შეერთება.	ელექტროქსელის ძაბვა უნდა იყოს 220-240 ვ.
მოწყობილობა არ მუშაობს.	შეამოწმეთ ელექტრო შეერთება.	შეამოწმეთ, მუშაობს თუ არა სხვა მოწყობილობები სამზარეულოში.
განათება არ მუშაობს.	შეამოწმეთ ელექტრო შეერთება.	ელექტროქსელის ძაბვა უნდა იყოს 220-240 ვ.
განათება არ მუშაობს.	შეამოწმეთ სანათის გადამრთველი.	სანათის გადამრთველი უნდა იყოს პოზიციაში „ჩართული“.
განათება არ მუშაობს.	შეამოწმეთ სანათები.	მოწყობილობის სანათები უნდა ანათებდეს.
მოწყობილობის ჰაერის შემწოვი არასაკმარისად მუშაობს.	შეამოწმეთ ალუმინის ფილტრი.	ჩვეულებრივ პირობებში ალუმინის ზეთის ფილტრი უნდა გაასუფთავოთ მინიმუმ თვეში ერთხელ.
მოწყობილობის ჰაერის შემწოვი არასაკმარისად მუშაობს.	შეამოწმეთ ჰაერის გამომშვები კვამლსარიანი.	ჰაერის გამომშვები კვამლსარიანი უნდა იყოს პოზიციაში „ჩართული“.
მოწყობილობის ჰაერის შემწოვი არასაკმარისად მუშაობს.	შეამოწმეთ ნახშირის ფილტრი.	ჩვეულებრივ პირობებში მოწყობილობის ნახშირის ფილტრები უნდა შეცვალოთ 3 თვეში ერთხელ.

Leia este manual do utilizador em primeiro lugar!

Prezado Cliente,

Obrigado por preferir este aparelho da Beko. Esperamos que obtenha os melhores resultados com o nosso aparelho, que foi fabricado com tecnologia avançada e de alta qualidade. Como tal, leia com atenção todo este manual do utilizador e os outros documentos que o acompanham antes de utilizar o aparelho e guarde-o como referência para uso futuro. Se passar o aparelho para outra pessoa, dê-lhe também este manual do utilizador. Siga as instruções estando atento às informações e avisos no manual do utilizador.

Lembre-se que este manual do utilizador também pode aplicar-se a outros modelos. As diferenças entre modelos são explicitamente descritas no manual.

Significados dos símbolos

Os seguintes símbolos são usados em várias secções deste manual:



Informações importantes ou dicas úteis sobre a utilização.



AVISO: Avisos para situações perigosas relativas à segurança de pessoas e bens.



AVISO: Aviso sobre perigo de incêndio.



AVISO: Aviso de choque elétrico.



**PAPEL RECICLADO e
RECICLÁVEL**

Este aparelho foi fabricado em instalações modernas e amigas do ambiente sem causar quaisquer danos à natureza.

1 Instruções importantes sobre segurança e meio ambiente

1.1 Segurança geral

Instruções importantes sobre a segurança, leia com cuidado e mantenha para a referência futura. Esta secção contém instruções de segurança que ajudarão a protegê-lo(a) contra o risco de incêndio, exposição a energia de micro-ondas libertada acidentalmente, ferimentos pessoais ou danos à propriedade. O não cumprimento destas instruções invalida a garantia concedida.

- Os produtos Beko estão em conformidade com as normas de segurança aplicáveis; portanto, em caso de qualquer dano no aparelho ou cabo de alimentação, deve ser reparado ou substituído pelo revendedor, centro de assistência ou por uma assistência especializada e autorizada para evitar qualquer perigo. Reparações defeituosas ou não qualificadas podem ser perigosas e constituir riscos para o utilizador.
- Este aparelho destina-se à utilização doméstica e aplicações semelhantes, como por exemplo:
 - Áreas da cozinha dos funcionários em lojas, escritórios e outros ambientes de trabalho;
 - Casas de turismo rural;
 - Por clientes em hotéis, pensões e outros tipos de ambientes residenciais;
 - Alojamentos do tipo cama e pequeno-almoço.
- Use este aparelho apenas para os fins a que se destina e tal como descrito neste manual.
- O fabricante não se responsabiliza por quaisquer danos resultantes de uma instalação incorreta ou imprópria.
- Este equipamento pode ser usado por crianças com idade de 8 anos ou mais e por pessoas com capacidades físicas, sensoriais ou mentais reduzidas ou com falta de experiência e conhecimento se forem supervisionadas ou que lhes tenha sido dada instrução a respeito da utilização do equipamento de um modo seguro e que compreendam os perigos envolvidos.

1 Instruções importantes sobre segurança e meio ambiente

- As crianças não devem brincar com o aparelho. A limpeza e a manutenção do utilizador não devem ser realizadas por crianças sem serem supervisionadas.
 - A distância mínima entre a superfície de apoio para os recipientes na placa de cozinha e a parte inferior do produto deve ser de 65 cm, no mínimo.
 - Se as instruções de instalação para a placa de cozinha a gás especificarem uma distância maior, esta deve ser tida em consideração.
 - Certifique-se de que a alimentação elétrica está em conformidade com as informações fornecidas na placa de dados do aparelho.
 - Nunca utilize o aparelho se o cabo de alimentação ou o próprio aparelho estiverem danificados.
 - Evite danos ao cabo de alimentação, evitando apertá-lo, dobrá-lo ou arrastá-lo sobre extremidades pontiagudas. Mantenha o cabo de alimentação afastado de superfícies quentes e chamas vivas.
 - Apenas utilize o aparelho numa tomada com ligação à terra.
- AVISO:** Não ligue o aparelho à corrente até que a instalação esteja concluída.
- Coloque o aparelho de modo a que a ficha esteja sempre acessível.
 - Não toque nas lâmpadas caso tenham estado acesas durante muito tempo. Estas podem queimar as suas mãos, dado que ficam quentes.
 - Siga os regulamentos estabelecidos pelas autoridades competentes relativos ao ar de exaustão (este aviso não se aplica se o aparelho for utilizado sem chaminé).
 - Utilize o aparelho apenas depois de colocar um tacho, uma frigideira, etc. na placa de cozinha. Caso contrário, o calor excessivo pode deformar algumas partes do aparelho.
 - Desligue a placa de cozinha antes de retirar o tacho, a frigideira, etc.

1 Instruções importantes sobre segurança e meio ambiente

- Não deixe óleo quente na placa de cozinha. As frigideiras com óleo quente podem entrar em combustão espontânea.
- Preste atenção às cortinas e tampas, pois o óleo pode incendiar-se enquanto se cozinha, por exemplo, batatas fritas.
- O filtro de gordura deve ser substituído, no mínimo, mensalmente. O filtro de carbono deve ser substituído, no mínimo, a cada 3 meses.
- O aparelho deve ser limpo de acordo com as instruções do manual do utilizador. Pode existir perigo de incêndio caso a limpeza não seja realizada de acordo com as instruções do manual do utilizador.
- Não utilize materiais de filtração que não sejam resistentes ao fogo além do filtro atual.
- Utilize apenas as peças originais ou peças recomendadas pelo fabricante.
- Não utilize o aparelho sem o filtro e não retire os filtros durante o funcionamento do aparelho.
- No caso de deflagrar uma chama, corte a alimentação elétrica do aparelho e dos eletrodomésticos.
- No caso de deflagrar uma chama, cubra-a e nunca use água para extingui-la.
- Desligue o aparelho antes de cada limpeza e quando este não estiver a ser utilizado.
- A pressão negativa no ambiente não deverá exceder 4 Pa (4 x 10 bar) enquanto o exaustor para a placa de cozinha elétrica e os aparelhos alimentados por outro tipo de energia além da eletricidade estiverem a funcionar em simultâneo.
- No ambiente em que o aparelho está a ser utilizado, a exaustão dos dispositivos que funcionam a óleo combustível ou gás, como é o caso dos aquecedores, deverá ficar totalmente isolada. Caso contrário, o aparelho terá de ser de tipo hermético.
- Ao fazer a ligação à chaminé, utilize tubos com 120 ou 150 mm de diâmetro. A ligação do tubo

1 Instruções importantes sobre segurança e meio ambiente

deve ser o mais curta possível e ter o menor número de curvas possível.

Perigo de asfixia! Mantenha todos os materiais da embalagem afastados das crianças.

ATENÇÃO: Partes acessíveis podem ficar quentes quando utilizadas com aparelhos de cozinha.

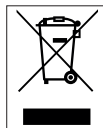
- A saída do exaustor não pode estar ligada aos canais de ar que incluem outros fumos.
- A ventilação na divisão poderá ser insuficiente quando se utilizar o exaustor para a placa de cozinha elétrica simultaneamente com os dispositivos que funcionam a gás ou outros combustíveis (isto poderá não se aplicar aos aparelhos que apenas fazem o retorno do ar para a divisão).
- Os objetos colocados em cima do aparelho podem cair. Não coloque quaisquer objetos em cima do aparelho.
- Não flambeie debaixo do aparelho.

AVISO: Remova as películas protetoras antes de instalar a Placa de cozinha.

- Nunca deixe chamas vivas altas sob o exaustor quando este estiver em funcionamento
- Mantenha as fritadeiras sob controlo durante a utilização: o óleo sobreaquecido pode inflamar-se.

1.2 Conformidade com a Diretiva REEE e eliminação do produto residual:

Este produto está em conformidade com a Diretiva REEE da UE (2012/19/UE). Este produto traz um símbolo de classificação para reciclagem de equipamentos elétricos e eletrónicos (REEE).



Este símbolo indica que o produto não deve ser eliminado juntamente com o lixo doméstico no fim da sua vida útil.

Os aparelhos usados devem ser levados para um ponto de recolha oficial para a reciclagem de aparelhos elétricos e eletrónicos. Para encontrar estes sistemas de recolha, entre em contacto com as autoridades locais ou com o revendedor através do qual adquiriu o produto. Cada domicílio desempenha um papel fundamental na recolha e reciclagem de aparelhos antigos. A eliminação correta de aparelhos usados ajuda a prevenir potenciais efeitos negativos ao meio ambiente e à saúde humana.

1.3 Conformidade com a Diretiva RoHS

O produto adquirido está em conformidade com a Diretiva RoHS da UE (2011/65/UE). Não contém materiais prejudiciais ou proibidos especificados na Diretiva.

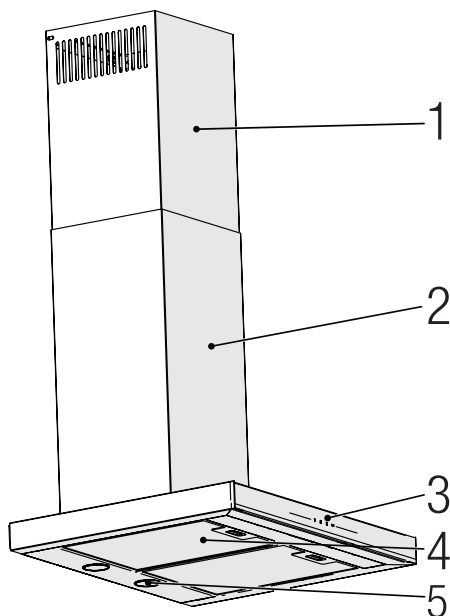
1.4 Informação de embalagem



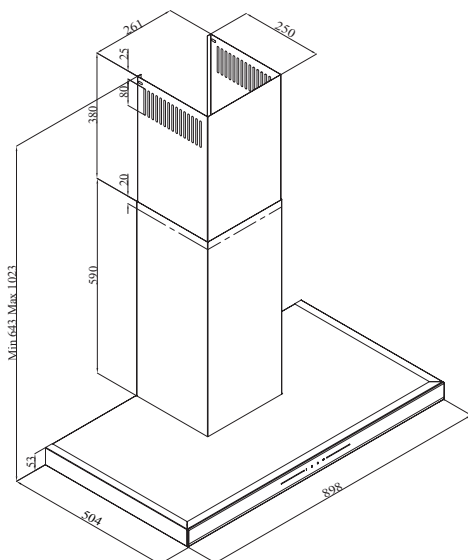
Os materiais para embalagem do produto são fabricados a partir de materiais recicláveis, em conformidade com a nossa Regulamentação Nacional do Ambiente. Não elimine os materiais da embalagem juntamente com os resíduos domésticos ou outros tipos de resíduos. Leve-os para os pontos de recolha de materiais de embalagem designados pelas autoridades locais.

2 Aspetto geral

2.1 Generalidades



(Figura 1)



(Figura 2)

BHCB 93640 B
BHCB 93640 BH

1. Conduta interior
2. Conduta exterior
3. Painel de Controle
4. Filtro do óleo em alumínio
5. Iluminação do fogão

2.2 Dados técnicos

Modelo	BHCB 93640 B	BHCB 93640 BH
Tensão de alimentação	220-240V ~ 50 Hz	
Potência da lâmpada	2 x 3 W	
Potência do motor	210 W	
Taxa de fluxo – 3. Nível	645 m³/h	
Classe de isolamento do motor	Classe F	
Classe de isolamento	Classe I	

3 Funcionamento do aparelho

3.1 Controlar o aparelho

 A	 B	 C	 D
TECLA	FUNÇÃO		
A : Ligar/desligar a iluminação	Pode iluminar a zona de cozedura premindo este botão. Voltar a premir este botão para desligar a lâmpada.		
B : 1. Botão de fase	Opera o aparelho na 1ª velocidade. Quando premir este botão novamente para desligar o aparelho, a fase de velocidade do ecrã desliga.		
C : 2. Botão de fase	Opera o aparelho na 2ª velocidade. Quando premir este botão novamente para desligar o aparelho, a fase de velocidade do ecrã desliga.		
D : Botão 3ª Fase	Opera o aparelho na 3ª velocidade. Quando premir este botão novamente para desligar o aparelho, a fase de velocidade do ecrã desliga.		

3.2 Funcionamento de eficiência energética em termos de poupança Utilização

- Quando usar o seu aparelho, ajustar as definições da velocidade de acordo com a intensidade de vapor e de odor, de modo a economizar energia.
- Usar as velocidades reduzidas (1-2) em condições normais e a velocidade mais elevada (3) com vapor e odor intensos.
- As lâmpadas no exaustor são colocadas para iluminar a zona de cozedura.
- Se usar as mesmas para iluminação ambiente irá provocar consumo desnecessário de energia e iluminação insuficiente.

3.3 Instruções de funcionamento

- O seu aparelho inclui um motor com várias velocidades.
- Para um melhor desempenho, recomendamos usar velocidades reduzidas em condições normais e velocidades elevadas no caso de odores fortes e de vapor intenso.
- Pode começar a usar o seu aparelho premindo no botão de definição da velocidade pretendida. (B, C, D)
- Pode iluminar a zona de cozedura premindo a lâmpada (A).

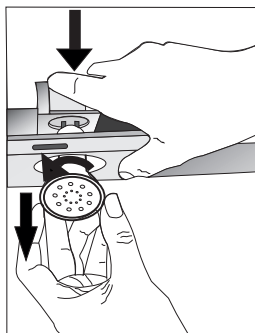
3.4 Paragem automática

O seu aparelho tem uma função de Paragem Automática, permitindo que o mesmo ventile durante mais algum tempo e remova os odores e vapor intenso não desejados que permaneçam no espaço e desligar automaticamente depois da cozedura estar concluída. Para ativar a função Paragem Automática, premir qualquer botão de velocidade (B,C, D) no painel de controlo por mais de 2 segundos, a função de temporizador de 15 minutos deve ser ativada. Quando a função de paragem automática está ativada, premir o mesmo botão de velocidade deverá desativar a função de paragem automática e o motor do aparelho deverá parar. Esta função é desativada quando alterna entre diferentes fases de velocidade. Se pretender que o aparelho pare automaticamente, é necessário ativar de novo a função de paragem automática.

3 Funcionamento do aparelho

3.5 Substituição da lâmpada

MAX 3 W



(Figura 3)

Fazer as ligações elétricas do aparelho. O seu aparelho usa lâmpada LED spot 3 W. Para substituir as lâmpadas, empurrar para baixo o suporte da lâmpada a partir de trás, rodá-lo no sentido anti-horário e tirá-lo por baixo. Realizar a operação acima no sentido inverso para instalar as novas lâmpadas (Figura 3).

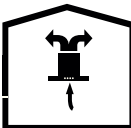
Lâmpada	
Potência da lâmpada	3 W
Suporte / Tomada	GZ 10
Tensão da lâmpada	220 - 240 V
Dimensão	53 x 50 mm
Código ILCOS	DR/F3-220-240-GZ10-50-53
Fluxo luminoso	260 lm
Temperatura de cor relacionada	3000 K

Este produto contém uma fonte de luz com a classe de eficiência energética "F".

3.6 Funcionamento com ligação à conduta

-  O vapor é extraído através da conduta de exaustão, a qual é fixada à cabeça de ligação no exaustor.
- O diâmetro da conduta de exaustão tem de ser o mesmo que o anel de ligação. Nas definições horizontais, o tubo tem de ter uma ligeira inclinação para cima (cerca de 10°) de modo a que o ar possa sair facilmente do espaço.

3.7 Funcionamento sem ligação à conduta

-  O ar filtrado através do filtro de carvão e recirculado no espaço. O filtro de carvão é usado quando é impossível usar uma conduta na residência.
- Quando utilizado sem conduta de exaustão, remover as abas no interior do adaptador da conduta.
- Remover o filtro do óleo. Retirar o filtro de água. Para instalar o filtro de carvão, encaixar o filtro nas guias centrando o mesmo na peça de plástico nos dois lados da estrutura da ventoinha, apertar o mesmo rodando-o para a direita ou para a esquerda.
- Substituir o filtro do óleo.

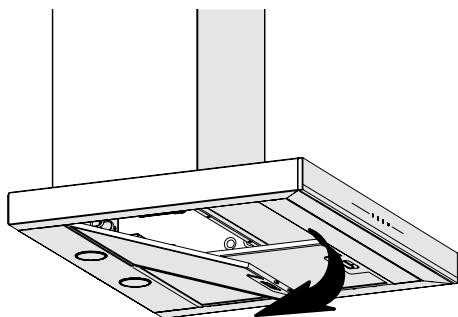
4 Limpeza e manutenção



Antes de efetuar a limpeza e a manutenção, desligar o produto ou desligar o interruptor.

4.1 Limpeza dos filtros em alumínio do óleo

Este filtro retém as partículas do óleo existentes no ar. Os filtros de alumínio podem mudar de cor depois de limpezas repetidas. Isto é normal e não tem de substituir os seus filtros.



(Figura 4)

- Empurrar para a frente o fecho do filtro do óleo em alumínio..
- Seguidamente, puxar o mesmo para baixo e remover (Figura 4). Caso contrário, pode dobrar o filtro. Lavar e enxaguar os filtros do óleo em alumínio com líquido com detergente e voltar a colocar os mesmos nas tomadas respetivas realizando os passos acima na ordem inversa. Estes filtros de alumínio retêm as partículas do óleo existentes no ar.

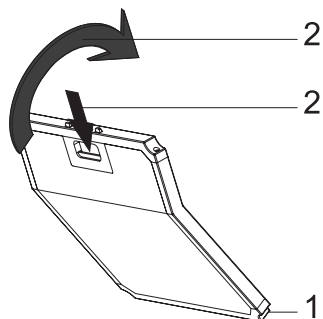


Pode igualmente lavar os filtros do óleo em alumínio na máquina de lavar.



CUIDADO: Com uma utilização normal, limpar o filtro do óleo em alumínio uma vez por mês.

4.2 Substituição dos filtros de carvão



(Figura 5)

- O aparelho que comprou é adequado para uso com filtros de carvão.
- Remover os filtros de óleo em alumínio (Figura 4).
- Colocar a parte inferior do filtro de carvão na cavidade do motor (Figura 5).
- Premir a aba do filtro de carvão e empurrá-lo para a frente, e assegurar que as abas do filtro de carvão estão engatadas e bloqueadas (Figura 5).
- Instalar os filtros de óleo em alumínio.



CUIDADO

- O filtro de carvão nunca deve ser lavado.
- Substituir os filtros de carvão uma vez em cada 3 meses.
- Pode obter o filtro de carvão nos revendedores autorizados.

5 Instalação do aparelho



ADVERTÊNCIA: Antes de iniciar a instalação, deve ler a informação de segurança no Manual do Utilizador.

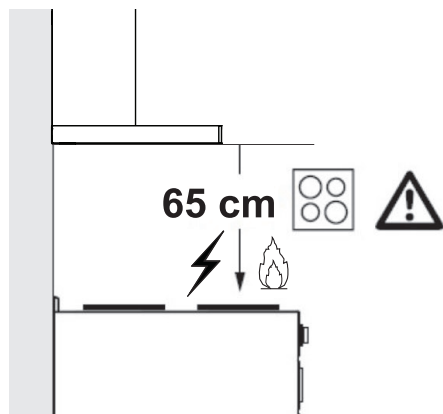


ADVERTÊNCIA: Não instalar com parafusos e estabilizadores de acordo com estas instruções pode resultar em choque elétrico.

Para instalar o exaustor, deve contactar o Serviço Autorizado mais próximo.

É da responsabilidade do cliente preparar a localização e a instalação elétrica do exaustor.

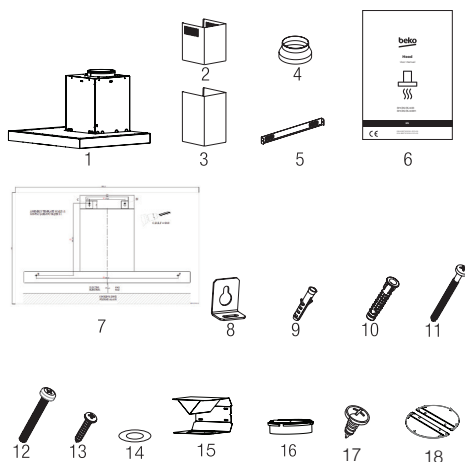
5.1 Posição do aparelho



(Figura 6)

- A distância entre o fogão e o exaustor tem de ser considerada antes da montagem.. Esta distância deve ser de 65 cm (Figura 6).
- A distância tem de ser medida a partir da superfície da grelha para os fogões a gás,
- a partir da superfície de vidro para os fogões elétricos.

5.2 Acessórios da instalação



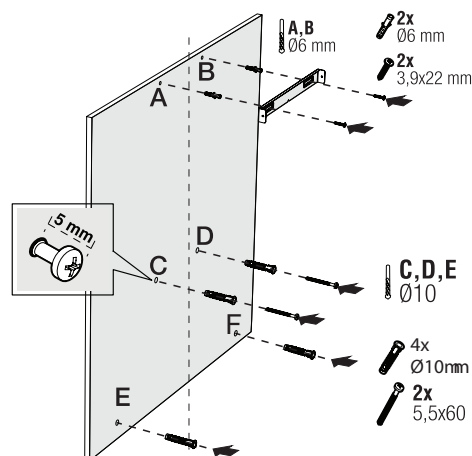
1. Produto
2. Conduto interior
3. Conduto exterior
4. Adaptador da conduta Ø150/120 mm
5. Placa de ligação da conduta
6. Manual do Utilizador
7. Desenho da montagem
8. 2 x Placa de suporte
9. Bucha de plástico 2x Ø6 mm
10. Bucha de plástico 4x Ø10 mm
11. Parafuso de montagem na parede 4x 5,5x60
12. Parafuso de ligação da placa de suspensão 2x M5x35
13. Parafuso da placa de ligação da conduta 2x3,9x22
14. 2 x Anilha M4
15. Defletor de ar
16. Adaptador em plástico (Difusor de ar)
17. Parafusos da placa da chaminé 2x 3,5x9,5
18. Braçadeira para chaminé

A informação necessária para fazer a localização adequada para a instalação do aparelho é indicada abaixo.

5 Instalação do aparelho

5.3 Instalação na parede

- A parede tem de ser plana, direita e ter capacidade de suporte suficiente.
- A profundidade dos furos de perfuração têm de estar de acordo com o comprimento dos parafusos.
- Os parafusos e as buchas fornecidos são adequados para paredes em tijolo. Para outros materiais de construção (por ex. placa de reboco, placa, betão poroso), devem ser usadas as buchas e porcas de fixação adequadas



(Figura 7)



CUIDADO: Antes de perfurar, assegurar que não existem tubos de alimentação, gás ou água nas proximidades dos locais de perfuração.

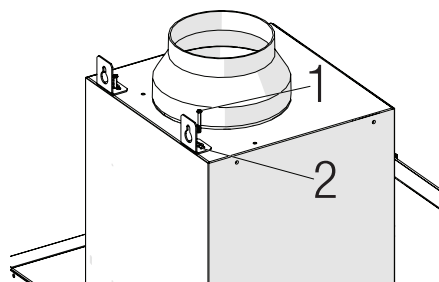
Desenhar uma linha ao meio da localização a partir da perpendicular do teto até ao rebordo inferior do exaustor.

Fixar o esquema de montagem na parede. Para os pontos A e B considere as dimensões máximas do exaustor como referência e faça os orifícios A e B que marcou com uma broca de $\varnothing 6$ mm e tape com buchas plásticas de $\varnothing 6$ mm. Fixar a placa de

ligação da conduta à parede com 2 parafusos de 3,9x22 (Figura 7)

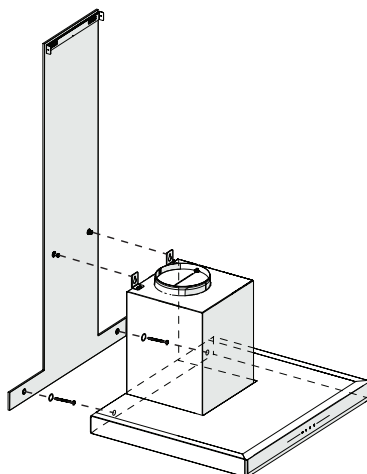
Para instalar a estrutura do exaustor, os pontos de perfuração C,D,E, F especificados no modelo de instalação perfurar com uma broca de $\varnothing 10$ mm e uma bucha plástica de $\varnothing 10$ mm nesses pontos (Figura 7).

Instalar 2 parafusos de suspensão da peça 5,5x60 nos pontos C e D com uma folga de 5 mm entre a cabeça do parafuso e a parede (Figura 8).



(Figura 8)

Instalar duas peças de placas de suspensão à estrutura do exaustor com parafusos de montagem M5x35 (Figura 8).



(Figura 9)

5 Instalação do aparelho

Segurar o exaustor do fogão na respetiva estrutura e colocar a mesma nos parafusos de suspensão na parede e apertar os parafusos (Figura 9).

Instalar as anilhas M4 nos parafusos de suspensão 5,5x60. Fixar o exaustor do fogão à parede com os parafusos de 5,5x60 através do furo de montagem no interior do aparelho (Figura 9).

5.4 Ligar a uma conduta de exaustão

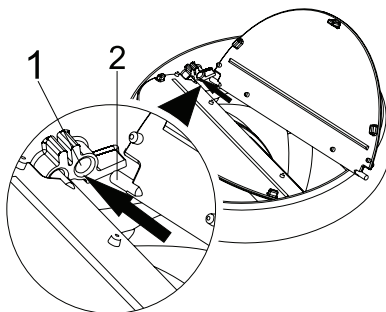
Se vai usar um adaptador de conduta em plástico com Ø 120/150 mm, ligar uma das extremidades do tubo a este adaptador, se não o for usar, ligar o mesmo à saída direta no produto. Ligar a outra extremidade do tubo à sua conduta de exaustão. Verificar se estas duas ligações estão suficientemente fixadas de modo a que não saiam quando o exaustor está a funcionar com toda a potência. Verificar todas as abas dentro da conduta para operar quando as mesmas estão apertadas Com grampos. Ligar a conduta de ligação no exterior do adaptador (Figura 11/a). Se a conduta de ligação for encaixada dentro do adaptador, a sucção do ar não vai ocorrer dado que a aba da conduta que impede o retorno do ar mantém-se fechada (Figura 11/b) . O comprimento da ligação do tubo bem como o número de cotovelos deve ser o mínimo possível.

A : Tubo de saída da conduta

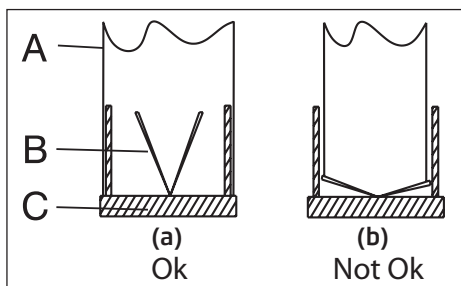
B: Abas de não retorno

C: Conduta de plástico

As válvulas são fechadas depois o aparelho não está a funcionar e impede a entrada de odor e poeira possivelmente existentes no exterior.



(Figura 10)



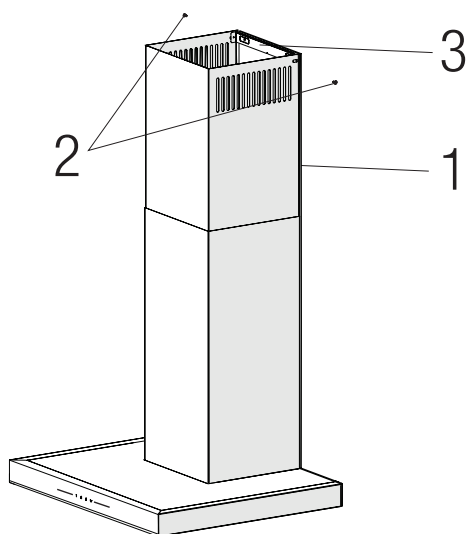
(Figura 11)

5.5 Instalação do exaustor à conduta

Fazer a ligação elétrica do seu exaustor antes de iniciar a instalação da conduta. Inserir as placas da conduta em torno da estrutura.

Fixar a placa da conduta à placa de fixação que está fixada na parede a partir do respetivo rebordo exterior superior (Figura 12).

5 Instalação do aparelho

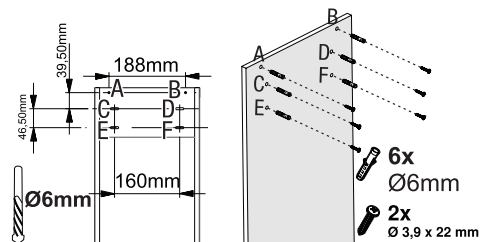


(Figura 12)

1. Conduta interior
2. Parafuso 3,5x9,5
3. Placa de ligação da conduta

5.6 Instalação do defletor de ar (BHCB 93640 BH)

Quando estiver a usar o filtro de carbono, o defletor de ar é fornecido com o seu aparelho com o objetivo de voltar a libertar o ar o qual é limpo com o filtro de carvão a partir do local perfurado na conduta. Montar o defletor de ar como se segue.



(Figura 13)

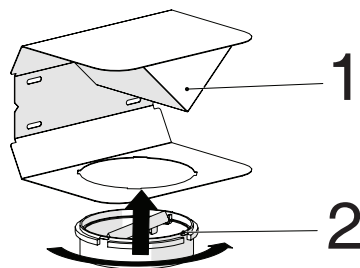
Há uma guia no meio da placa de ligação da conduta. Colocar o ponto intermédio desta guia na

linha que está desenhada na perpendicular da parede. Alinhar horizontalmente e marcar os furos onde a placa de ligação será montada através de uma esferográfica. (Figura 13/A, B).

Perfurar os pontos marcados com uma perfuração de $\varnothing 6\text{mm}$ e inserir as duas buchas em plástico nos furos feitos (Figura 13/A,B).

Fixar a placa de ligação da conduta à parede com parafusos de 3,9x22 (Figura 13/A,B).

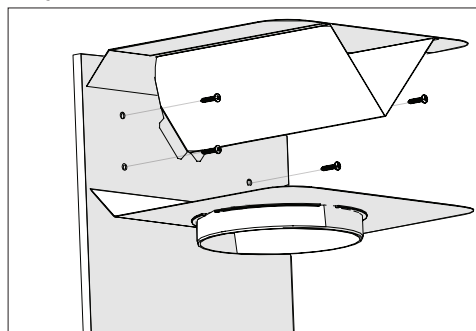
Para a montagem do defletor de ar, instalar o ponto C, D, E, F com furo de $\varnothing 6\text{mm}$ e com buchas plásticas com $\varnothing 6\text{mm}$ (Figura 13).



(Figura 14)

1. Defletor de ar
2. Conduta de plástico

Ligar o adaptador da conduta em plástico que está incluído na embalagem, na direção do defletor de ar. Fechar o adaptador da conduta rodando-o na direção da seta (Figura 14).

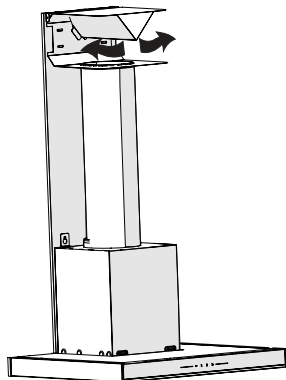


(Figura 15)

5 Instalação do aparelho

Montar o grupo do defletor de ar com parafusos de 3,9 x 22 a partir do ponto C, D, E, F que já preparou (Figura 13).

Montar a estrutura do exaustor (Figura 7).



(Figura 16)

1. Tubo de saída de ar em alumínio

Fazer a ligação do conjunto do tubo de saída de ar (Figura 16).



Uma vez que as torções e as curvas no tubo de alumínio levam a uma redução no poder de sucção de ar, evitá-las tanto quanto possível.

Instalar as placas da conduta do exaustor (Figura 12).

6 Resolução de problemas

Resolução de problemas	Razão	Ajuda
O produto não funciona.	Verificar os fusíveis.	O fusível pode estar desativado, ative-o.
O produto não funciona.	Verificar a instalação elétrica.	A tensão de rede deve ser entre 220 e 240 V.
O produto não funciona.	Verificar a instalação elétrica.	Verificar se outros produtos na cozinha estão a funcionar ou não.
A lâmpada de iluminação não funciona.	Verificar a instalação elétrica.	A tensão de rede deve ser entre 220 e 240 V.
A lâmpada de iluminação não funciona.	Verificar o interruptor da lâmpada.	O interruptor da lâmpada deve estar na posição "ligado".
A lâmpada de iluminação não funciona.	Verificar as lâmpadas.	As lâmpadas do produto não devem estar avariadas.
A entrada de ar do produto é fraca.	Verificar o filtro de alumínio.	O filtro de óleo de alumínio deve ser limpo pelo menos uma vez por mês em condições normais.
A entrada de ar do produto é fraca.	Verificar a conduta de saída de ar.	O interruptor da conduta de saída de ar deve estar na posição "ligado".
A entrada de ar do produto é fraca.	Verificar o filtro de carvão.	Para produtos com filtros de carvão, normalmente o filtro deve ser trocado a cada 3 meses.



**Contacte a assistência técnica:
707 014 192 / 215 557 319**

CONDIÇÕES DE GARANTIA - PORTUGAL

Este certificado cobre a garantia de reparação do seu eletrodoméstico por dois anos a contar da data de compra, contra defeitos de funcionamento provenientes do fabrico ou dos materiais; ou de substituição do dispositivo, a menos que uma dessas opções seja impossível ou desproporcionada em relação à outra. Quando detetar um defeito ou anomalia no aparelho entre imediatamente em contacto connosco, existe um prazo limite de dois meses para nos informar sobre a falta de conformidade. O valor da deslocação está incluído na reparação, com exceção de pequenos aparelhos que podem ser transportados para a oficina do serviço oficial da marca. Em caso de substituição, o período de garantia fica suspenso e o aparelho irá manter o prazo de validade do aparelho substituído e no mínimo 6 meses de garantia.

Esta garantia só será válida se a fatura, recibo de venda ou a entrega do produto em questão for posterior à data da fatura. Esta garantia é válida em território espanhol e português para aparelhos distribuído pela Beko Electronics Espanha SL. A garantia só é válida para o primeiro comprador ou adquirente do produto. A garantia é válida para dispositivos adaptados às condições climáticas e ambientais em que se situam.

EXCLUSÕES DA GARANTIA

O custo da reparação será pago pelo utilizador nos seguintes casos:

- Aparelhos utilizados para uso profissional ou não exclusivamente doméstico, em estabelecimentos comerciais, industriais ou públicos.
- O equipamento desmontado ou adulterado por alguém que não seja expressamente autorizado pelos serviços técnicos.
- A instalação, transporte, substituição de equipamento, colocação em funcionamento, alteração do sentido das portas.
- Intervenções de manutenção ou informações sobre a utilização dos aparelhos.
- Alteração de injetores em aparelhos a gás.
- As avarias causadas pela falta de manutenção ou limpeza, ou aquelas causadas por um uso inadequado, sobrecarga, abandono ou de forma a não respeitar as instruções de uso ou instalação dos aparelhos.
- As avarias provocadas por causas acidentais, sinistros de força maior ou resultantes de instalação inadequada e em geral, avarias por razões não relacionadas com o produto.
- As avarias causadas por ligações que podem apresentar flutuações, irregularidades ou falta de uniformidade no fornecimento, por exemplo: abastecimento de água, impulsionado por pressão, energia solar, energia eólica, geradores de energia elétrica ou outro tipo de fornecimento não-padrão.
- Os materiais quebrados ou danificados por desgaste ou uso não normal do aparelho, ou consumíveis tais como: juntas, plásticos, borracha, correias, vidros, pincéis, lâmpadas, asas, puxadores, tampas de queimadores, filtros, grades, etc.
- Os aparelhos que apresentem oxidação, ou danos por corrosão em esmaltes ou tintas, que possam ter sido causados por efeitos químicos ou eletroquímicos da água ou de qualquer outra substância, ou aceleradas por circunstâncias ambientais ou climáticas não propícias.
- Defeitos estéticos em serigrafia ou pintura.
- Os danos causados por transporte ou manuseio, colisões, etc.
- Os aparelhos devem ser instalados de forma acessível em caso de reparação e o utilizador deve assumir os custos necessários para aceder ao aparelho para reparação e substituição.

As marcas BEKO, ALTUS, BLOMBERG, y GRUNDIG são distribuídas por Beko Electronics Espanha S.L.

DADOS DO APARELHO (a ser preenchido pelo Distribuidor):

Detentor:		Carimbo do estabelecimento:
Modelo:	N.º série:	
Estabelecimento:	Data de compra:	

O fiador e o importador do seu eletrodoméstico é: BEKO ELECTRONICS ESPAÑA S.L. Calle Provenza nº 388 3º Barcelona 08025, Espana. O produto foi fabricado por ARÇELIK A.S (Arçelik A.S.Sütluce Karaağaç Cad. No:2-6 34445 Beyoglu, Istanbul, Turquia) ou o Arctic S.A. (210, 13 Decembrie St., 135200, Gaesti, Dambovitá, Romania.

Conheça-nos melhor na nossa página: www.beko.com Conserve este documento, é importante para si.

Ju lutemi lexoni në fillim këtë manual përdorimi!

I dashur klient i çmuar,

Faleminderit që keni zgjedhur këtë pajisje Beko. Ne shpresojmë që të merrni rezultatet më të mira nga pajisja juaj, e cila është prodhuar me cilësi të lartë dhe me një teknologji të nivelit më të lartë. Për këtë arsye, lexoni me kujdes të gjithë këtë manual përdorimi dhe të gjitha dokumentet e tjera shoqëruese përpara se të përdorni këtë pajisje dhe mbajeni atë si referencë për ta përdorur në të ardhmen. Nëse ia jepni dikujt tjetër këtë pajisje, jepini edhe manualin e përdorimit. Ndiqni udhëzimet duke treguar vëmendje për të gjitha informacionet dhe paralajmërimet në manualin e përdorimit.

Mos harroni se ky manual përdorimi mund të jetë i vlefshëm edhe për modele të tjera. Diferencat mes modeleve përshkruhen në mënyrë të qartë në manual.

Kuptimet e simboleve

Simbolet e mëposhtme përdoren në pjesë të ndryshme të këtij manuali përdorimi:



Informacione të rëndësishme dhe sugjerime të dobishme për përdorimin.



PARALAJMËRIM: Paralajmërim për situata të rrezikshme në lidhje me sigurinë e jetës dhe të pronës.



PARALAJMËRIM: Paralajmërim për rrezikun e zjarrit.



PARALAJMËRIM: Paralajmërim për goditje elektrike.



**LETËR E RICIKLUAR
DHE E RICIKLUESHME**

Kjo pajisje është prodhuar në impiante moderne të përshtatshme për mjedisin që nuk e dëmtojnë natyrën.

1 Udhëzime të rëndësishme për sigurinë dhe mjedisin

1.1 Siguria e përgjithshme

Udhëzime të rëndësishme për sigurinë. Lexojini me kujdes dhe mbajini për referencë në të ardhmen. Në këtë pjesë përfshihen udhëzimet për sigurinë që do t'ju ndihmojnë të mbroheni nga rreziku i zjarrit, goditjes elektrike, ekspozimit ndaj rrjedhjeve të energjisë së mikrovalëve, lëndimeve personale ose dëmtimeve të pronës. Mosrespektimi i këtyre udhëzimeve do ta bëjë të pavlefshme garancinë.

- Produktet Beko janë në përputhje me standardet përkatëse të sigurisë; për këtë arsye, në rast dëmtimi të pajisjes ose të kabllot elektrike, ajo duhet të riparohet ose të zëvendësohet nga shitësi, qendra e shërbimit ose një specialist dhe shërbim i autorizuar i ngjashëm për të shmangur çdo rrezik. Riparimet e gabuara ose të pakualifikuara mund të jenë të rrezikshme dhe të shkaktojnë rrezik për përdoruesin.
- Kjo pajisje është planifikuar të përdoret në shtëpi dhe në aktivitete të ngjashme si p.sh.:
 - Zonat e kuzhinës së personelit në dyqane, zyra dhe ambiente të tjera pune;
 - Shtëpi në ferma
 - Nga klientët në hotele dhe ambiente të tjera banimi;
 - Ambiente të tipit të moteleve.
- Përdoreni këtë pajisje vetëm për qëllimin e planifikuar siç përshkruhet në këtë manual.
- Prodhuesi nuk mund të mbajë përgjegjësi për dëmtimet që shkaktohen nga instalimi i gabuar ose keqpërdorimi i produktit.
- Kjo pajisje mund të përdoret nga fëmijë të moshës 8 vjeç e lart dhe personat me aftësi më të ulëta fizike, ndjesore ose mendore ose me mungesë përvoje dhe njohurish nëse u janë dhënë udhëzime ose janë monitoruar në lidhje me përdorimin e pajisjes në një mënyrë të sigurt dhe i kuptojnë rreziqet që përfshihen.
- Fëmijët nuk duhet të lejohen që të luajnë me pajisjen. Pastrimi dhe mirëmbajtja e përdoruesit

1 Udhëzime të rëndësishme për sigurinë dhe mjedisin

nuk duhet bërë nga fëmijë pa mbikëqyrje.

- Distanca minimale mes sipërfaqes mbështetëse për enët e gatimit në vatrën e gatimit dhe pjesës më të poshtme të produktit tuaj duhet të jetë të paktën 65 cm.
- Nëse udhëzimet për instalimin për vatrën e gazit specifikojnë një distancë më të madhe, kjo duhet të merret parasysh.
- Sigurohuni që furnizimi me energji nga rrjeti elektrik është në përputhje me informacionet e dhëna në tabelën e karakteristikave të pajisjes.
- Mos e përdorni asnjëherë pajisjen nëse kabloja elektrike ose vetë pajisja është e dëmtuar.
- Parandaloni dëmtimin e kabllot elektrike duke mos e shtypur, përkulur ose prekur në cepa të mprehtë. Mbajeni kabllon elektrike larg nga sipërfaqet e nxehta dhe flakët e pambrojtura.
- Përdoreni pajisjen vetëm me një prizë me tokëzim.

PARALAJMËRIM: Mos e lidhni pajisjen me rrjetin elektrik deri sa

instalimi të ketë përfunduar plotësisht.

- Vendoseni pajisjen në një mënyrë të tillë që spina të jetë gjithmonë lehtësisht e arritshme.
- Mos i prekni llambat nëse janë përdorur për një kohë të gjatë. Ato mund t'ju djegin duart nëse nxehen.
- Ndiqni rregullat e përcaktuara nga autoritetet kompetente për shkarkimin e ajrit të papastër (ky paralajmërim nuk është i vlefshëm për përdorim pa tuba).
- Përdoreni pajisjen pasi të vendosni një tenxhere, tigan etj. në vatrën e gatimit. Në rast të kundërt, nxehtësia e lartë mund të shkaktojë deformime në disa pjesë të produktit tuaj.
- Fikeni vatrën e gatimit para se ta hiqni tenxheren, tiganin etj. nga ajo.
- Mos lini vaj të nxehtë që vatrën e gatimit. Tiganët me vaj të nxehtë mund të marrin zjarr.
- Tregoni kujdes ndaj perdeve dhe mbulesave pasi vaji mund të marrë zjarr gjatë gatimit të ushqimeve si p.sh. patateve të skuqura.

1 Udhëzime të rëndësishme për sigurinë dhe mjedisin

- Filtri i yndyrës duhet të ndërrohet të paktën çdo muaj. Filtri i karbonit duhet të ndërrohet të paktën çdo 3 muaj.
 - Produkti duhet të pastrohet në përputhje me manualin e përdorimit. Nëse pastrimi nuk kryhet në përputhje me manualin e përdorimit, ekziston rreziku i zjarrit.
 - Mos përdorni materiale filtrimi që nuk janë rezistente ndaj zjarrit në vend të filtrit aktual.
 - Përdorni vetëm pjesë origjinale ose pjesë të rekomanduara nga prodhuesi.
 - Mos e përdorni produktin pa filtrin dhe mos i hiqni filtrat kur produkti është në përdorim.
 - Në rast se ndizen flakë, shkëputeni produktin nga rrjeti elektrik dhe pajisjet e gatimit.
 - Në rast se ndizen flakë, mbulojini flakët dhe mos përdorni asnjëherë ujë për fikjen e tyre.
 - Hiqeni pajisjen nga priza para pastrimit dhe kur pajisja nuk është në përdorim.
 - Presioni negativ në ambient nuk duhet të kalojë 4 Pa (4 x 10 bar) kur përdoren njëkohësisht aspiratori për vatrat elektrike dhe pajisje që funksionojnë me një lloj tjetër energjie.
 - Në ambientin ku përdoret pajisja, ajri i shkarkimit i pajisjeve që punojnë me karburant ose gaz, si p.sh. ngrohësit e dhomës, duhet të izolohet në mënyrë absolute ose pajisja duhet të jetë e tipit hermetik.
 - Kur lidhni tubat, përdorni tuba me diametër 120 ose 150 mm. Lidhja e tubave duhet të jetë sa më e shkurtër dhe me sa më pak bërryla.
- Rrezik mbytje!** Mbajini të gjitha materialet e paketimit larg fëmijëve.
- KUJDES:** Pjesët e arritshme mund të jenë të nxehta kur përdoren me pajisjet e gatimit.
- Shkarkimi i produktit nuk duhet të lidhet me kanale ajri që përfshijnë tymra të tjerë.
 - Ajrimi në dhomë mund të mos jetë i mjaftueshëm kur aspiratori për vatrën elektrike përdoret në të njëjtën kohë me pajisje që funksionojnë me gaz ose karburante të tjera (kjo mund të mos

1 Udhëzime të rëndësishme për sigurinë dhe mjedisin

jetë e vlefshme për pajisjet që e nxjerrin ajrin përsëri vetëm në dhomë).

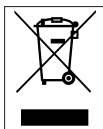
- Objektet e vendosura mbi produkt mund të bien. Mos vendosni objekte mbi produkt.
- Mos ndizni flakë gjatë gatimit nën produkt.

PARALAJMËRIM: Para se të instaloni aspiratorin, hiqni shtresat mbrojtëse.

- Mos lini asnjëherë flakë të hapura të larta nën aspirator kur ai është në funksionim.
- Fritezat duhet të monitorohen vazhdimisht gjatë përdorimit: vaji i nxehur shumë mund të shpërthejë në flakë.

1.2 Përputhja me direktivën WEEE dhe hedhja e produktit pas përdorimit

Ky produkt është në përputhje me direktivën WEEE të BE-së (2012/19/EU). Ky produkt ka një simbol klasifikimi për pajisjet e përdorura elektrike dhe elektronike (WEEE).



Ky simbol tregon se ky produkt nuk duhet të hidhet me mbeturinat e tjera të shtëpisë në fund të kohëzgjatjes së shërbimit. Pajisja e përdorura duhet të kthehet te pika zyrtare e grumbullimit

për riciklimin e pajisjeve elektrike dhe elektronike. Për t'i gjetur këto sisteme grumbullimi, kontaktoni me autoritetet lokale ose me shitësin ku e keni

blerë produktin. Çdo shtëpi ka një rol të rëndësishëm në rikuperimin dhe riciklimin e pajisjeve të vjetra. Hedhja e pajisjes së përdorur në mënyrën e duhur ndihmon për të parandaluar pasoja të mundshme negative për mjedisin dhe shëndetin e njeriut.

1.3 Përputhja me direktivën RoHS

Produkti që keni blerë është në përputhje me direktivën RoHS të BE-së (2011/65/EU). Nuk përmban materiale të dëmshme dhe të ndaluara të specifikuar në direktivë.

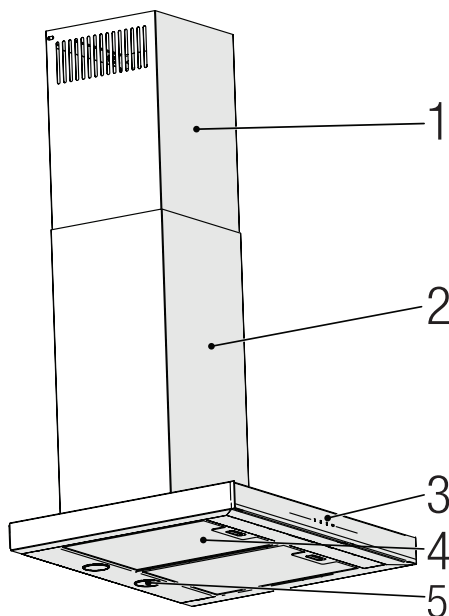
1.4 Informacionet për paketimin



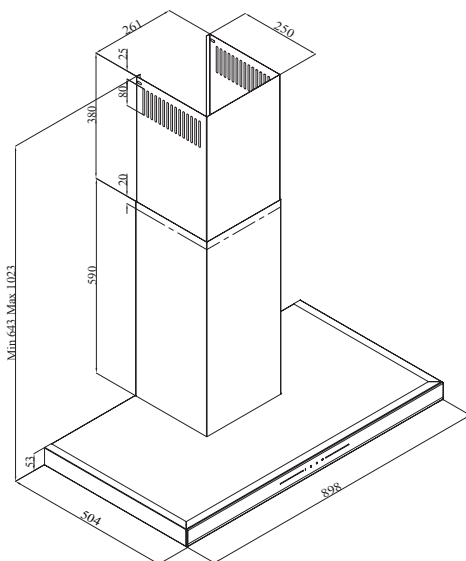
Materialet e paketimit të produktit janë prodhuar nga materiale të riciklueshme në përputhje me rregulloret tona kombëtare për mjedisin. Mos i hidhni materialet e paketimit bashkë me mbeturinat e shtëpisë ose mbeturina të tjera. Dërgojini ato te pikat e grumbullimit të materialeve të paketimit të përcaktuara nga autoritetet lokale.

2 Pamja e përgjithshme

2.1 Përmbledhje



(Figura 1)



(Figura 2)

BHCB 93640 B
BHCB 93640 BH





1. OXHAKU I BRENDSHËM
2. OXHAKU I JASHTËM
3. PANELI I KONTROLLIT
4. FILTRAT ANTI-YNDYRË PREJ ALUMINI
5. NDRIÇUESI I SOBËS

2.2 Të dhëna teknike

Modeli	BHCB 93640 B	BHCB 93640 BH
Voltazhi	220-240V ~ 50 Hz	
Fuqia e llambës	2 x 3 W	
Fuqia e motorit	210 W	
Sasia e thithjes – 3. Niveli	645 m ³ /h	
Klasa e izolimit të motorit	Klasa F	
Klasa e izolimit	Klasa I	

3 Përdorimi i pajisjes

3.1 Kontrolli i pajisjes

			
BUTONI	FUNKSIONI		
A : Drita ndezur / fikur	Mund të ndriçoni sipërfaqen e gatimit duke shtypur këtë buton. Rishtypni butonin për të fikur llambën.		
B : 1. Butoni i fazës	Operon pajisjen në shpejtësinë e 1-rë. Kur ju shtypni këtë buton përsëri për të fikur pajisjen, ekrani i fazës së shpejtësisë fiket.		
C : 2. Butoni i fazës	Operon pajisjen në shpejtësinë e 2-të. Kur ju shtypni këtë buton përsëri për të fikur pajisjen, ekrani i fazës së shpejtësisë fiket.		
D : 3. Butoni i fazës	Operon pajisjen në shpejtësinë e 3-të. Kur ju shtypni këtë buton përsëri për të fikur pajisjen, ekrani i fazës së shpejtësisë fiket.		

3.2 Përdorim efikas i energjisë për sa i përket kursimit të energjisë Përdorimi

- Kur përdorni pajisjen, rregulloni parametrat e shpejtësisë në përputhje me intensitetin e avullit dhe të aromës, në mënyrë që të kurseni energji.
- Përdorni shpejtësitë e ulëta (1-2) në kushte normale, dhe shpejtësinë e lartë (3) kur ka aroma të forta dhe avull.
- Llambat në aspirator janë vendosur për të ndriçuar sipërfaqen e gatimit.
- Përdorimi i tyre për të ndriçuar ambientin do të shkaktojë shpenzim të panevojshëm të energjisë dhe ndriçim të pamjaftueshëm.

3.3 Udhëzime të përdorimit

- Pajisja juaj ka një motor me shpejtësi të ndryshme.
- Për një performancë më të mirë, rekomandojmë të përdorni shpejtësitë e ulëta në kushte

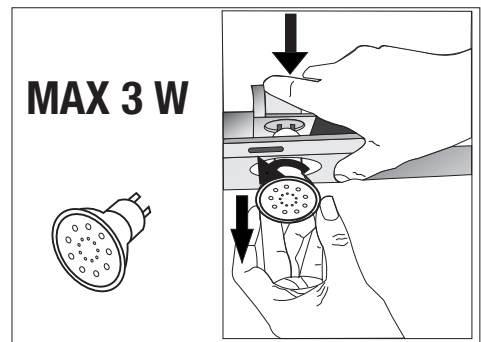
normale dhe shpejtësitë e larta në rastin kur ka aroma të forta dhe shumë avull.

- Mund ta ndizni pajisjen duke shtypur butonin e parametrat të shpejtësisë së dëshiruar. (B, C, D)
- Mund të ndriçoni sipërfaqen e gatimit duke shtypur llambën (A).

3.4 Ndalja automatike

Pajisja juaj ka veçorinë e Ndaljes automatike, e cila mundëson të ajroset ambienti edhe pak më shumë dhe të hiqen erërat e padëshiruara dhe avulli brenda ambientit e të fiket automatikisht pasi gatimi ka përfunduar. Për të aktivizuar veçorinë e Ndaljes automatike, shtypni çdo buton të fazës së shpejtësisë (B, C, D) te paneli i kontrollit për më shumë se 2 sekonda; funksioni i kohëmatësit prej 15-minutash do të aktivizohet. Kur veçoria e ndaljes automatike është aktive, shtypja e të njëjtit buton të shpejtësisë do të çaktivizojë funksionin e ndaljes automatike dhe motori i pajisjes do të ndalojë. Kjo veçori çaktivizohet kur kaloni në faza të ndryshme të shpejtësisë. Nëse dëshironi që pajisja të ndalet automatikisht, duhet të aktivizoni përsëri veçorinë e ndaljes automatike.

3.5 Ndërrimi i llambës




(Figura 3)

Bëni lidhjet elektrike të pajisjes. Pajisja juaj përdor llambë spot LED 3W.

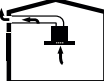
3 Përdorimi i pajisjes

Për të ndërruar llambat, shtypeni poshtë mbajtësen nga prapa, rrotullojeni në drejtim të kundërt me akrepat e orës dhe tërhiqeni poshtë. Kryeni të njëjtat veprime nga ana e kundërt për të montuar llambat e reja (Figura 3).

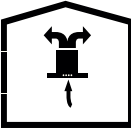
Llamba	
Fuqia e llambës	3 W
Mbajtësja / Foleja	GZ 10
Voltazhi i llambës	220 - 240 V
Madhësia	53 x 50 mm
Kodi ILCOS	DR/F3-220-240-GZ10-50-53
Fluksi ndriçues	260 lm
Temperatura e ngjyrës përkatëse	3000 K

Ky produkt përmban një burim ndriçimi të klasës së efikasitetit energjetik "F".

3.6 Përdorimi me oxhak

-  Avulli nxirret nëpërmjet tubit të oxhakut, i cili është mbërthyer te koka bashkuese në aspirator.
- Diametri i tubit të oxhakut duhet të jetë i njëjtë me unazën bashkuese. Kur është i vendosur horizontalisht, tubi duhet të ketë një pjerrësi pakëz të ngritur (rreth 10°) në mënyrë që ajri të dalë lehtë nga dhoma.

3.7 Përdorimi pa oxhak

-  Ajri filtrohet nëpërmjet filtrit prej karboni dhe riqarkullohet në dhomë. Filtri prej karboni përdoret kur është e pamundur të përdoret një oxhak në shtëpi.
- Në përdorimin pa oxhak, hiqni fletët brenda re-duktoirit të oxhakut.

- Hiqni filtrin anti-yndyrë. Për të montuar filtrin prej karboni, puthiteni filtrin te gjuhëzat duke e e vënë në qendër të pjesës plastike në lidhje me të dyja anët e trupit të ventilatorit. Shtrëngojeni duke e rrotulluar djathtas ose majtas.
- Rivendosni filtrin anti-yndyrë prej alumini.

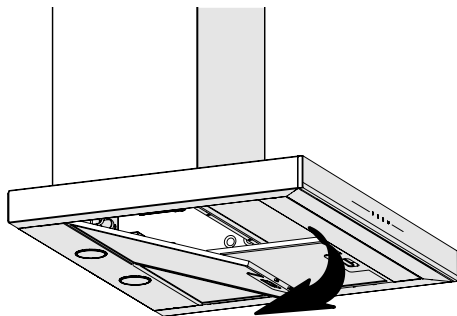
4 Pastrimi dhe mirëmbajtja



Para pastrimit dhe mirëmbajtjes, hiqni produktin nga priza ose fikni çelësin.

4.1 Pastrimi i filtrave anti-yndyrë prej alumini

Filtri anti-yndyrë prej alumini mbledh grimcat e yndyrës që janë në ajër. Filtrat prej alumini mund të ndryshojnë ngjyrë kur lahen disa herë. Kjo është normale dhe nuk ka nevojë t'i ndërroni filtrat tuaj.



(Figura 4)

- Shtyni para mbërtheckën e filtrit anti-yndyrë prej alumini.
- Pastaj tërhiqeni pak poshtë dhe nxirreni jashtë filtrin (Figura 4). Në të kundërt, mund ta shtrembëroni filtrin. Lani dhe shpëlani filtrat anti-yndyrë prej alumini me detergjent të lëngshëm dhe rivendosni filtrat anti-yndyrë prej alumini në foletë e tyre duke ndjekur hapat e specifikuar më sipër në radhën e kundërt. Këta filtra anti-yndyrë prej alumini përdoren për të mbledhur grimcat e yndyrës që janë në ajër.

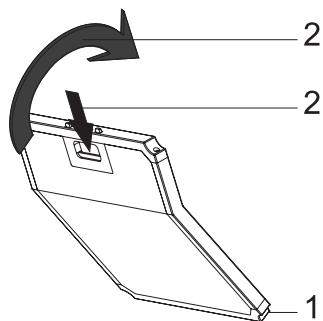


Gjithashtu, mund t'i lani filtrat anti-yndyrë prej alumini në pjatararëse.



KUJDES: Në rast përdorimi normal, pastrojeni filtrin anti-yndyrë prej alumini një herë në muaj.

4.2 Ndërrimi i filtrave prej karboni



(Figura 5)

- Pajisja që keni blerë është e përshtatshme për t'u përdorur me filtra karboni.
- Hiqni filtrat anti-yndyrë prej alumini (Figura 4).
- Vendoseni pjesën e poshtme të filtrit prej karboni në kabinën e motorit (Figura 5).
- Shtypni mbërtheckën e filtrit të karbonit dhe shtyjeni përpara e sigurohuni që gjuhëzat e filtrit të karbonit të lëvizin dhe të bllokohen (Figura 5).
- Montoni filtrat anti-yndyrë prej alumini.

KUJDES



- Filtri prej karboni nuk duhet të lahet kurrë.
- Ndërroni filtrat prej karboni një herë në 3 muaj.
- Mund ta gjeni filtrin prej karboni te serviset e autorizuara.

5 Montimi i pajisjes



KUJDES: Para se të filloni montimin, lexoni informacionet për sigurinë në Manualin e Përdorimit.

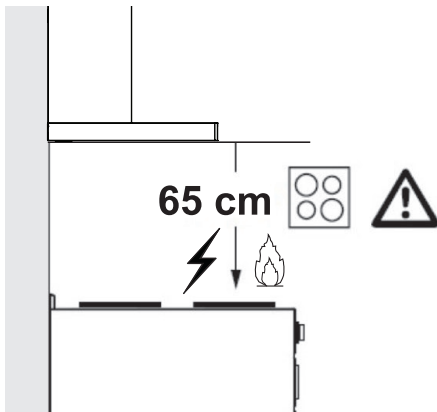


KUJDES: Nëse pajisja nuk montohet me vida dhe bulona në përputhje me këto udhëzime, kjo mund të rezultojë në goditje elektrike.

Për montimin e aspiratorit, ju lutemi kontaktoni Servisin e Autorizuar më të afërt.

Është përgjegjësia e klientit të përgatitë vendndodhjen dhe montimin elektrik të aspiratorit.

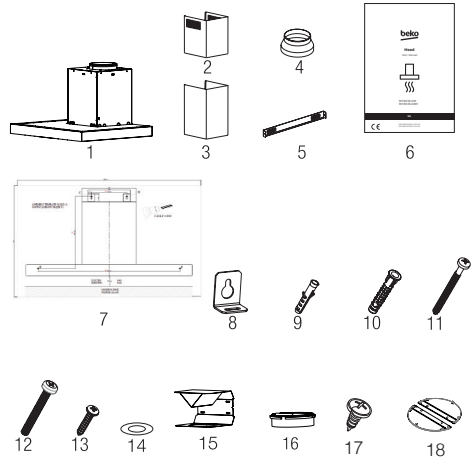
5.1 Pozicioni i pajisjes



(Figura 6)

- Distanca midis sobës dhe aspiratorit të kuzhinës duhet të merret parasysh para montimit. Distanca duhet të jetë 65 cm (Figura 6).
- Distanca duhet matur nga sipërfaqja e skarës për sobat me gaz,
- Nga sipërfaqja e xhamit për sobat elektrike.

5.2 Aksesorët e montimit



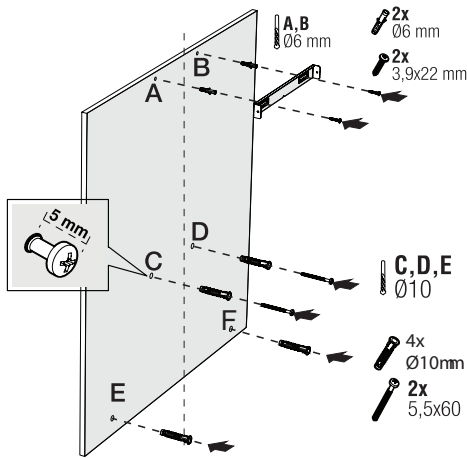
1. Produkti
2. OXHAKU I brendshëm
3. OXHAKU I jashtëm
4. Reduktori i oxhakut Ø150/120mm
5. Pllaka bashkuese e oxhakut
6. Manuali i përdorimit
7. Shablioni i montimit
8. 2x pllakëza mbajtëse
9. 2x Ø6mm upa plastike
10. 4x upa plastike Ø10mm
11. 4x vida muri 5.5x60
12. 2x vida për pllakëzat mbajtëse M5x35
13. 2x vida për pllakën bashkuese të oxhakut 3.9x22
14. 2 rondele M4
15. Diafragma e ajrit
16. Adaptorin plastik (elementi i shmangies së ajrit)
17. Vidë për pllakë lidhëse oxhaku 2x 3,5x9,5
18. Kapëse oxhaku

Informacionet që nevojiten për ta bërë vendin të përshtatshëm për montimin e aspiratorit jepen më poshtë.

5 Montimi i pajisjes

5.3 Montimi në mur

- Muri duhet të jetë i sheshtë, i drejtë dhe të ketë aftësi mbajtëse të mjaftueshme.
- Thellësia e vrimave që do të shpohen duhet të përputhet me gjatësinë e bulonave.
- Bulonat dhe upat e siguruar janë të përshtatshme për muret me tulla. Për materiale të tjera ndërtimi (p.sh. karton gips, veshje metalike, beton poroz), duhen përdorur upa dhe vida të përshtatshme.



(Figura 7)



KUJDES: Para se të hapni vrimat, sigurohuni që pranë vendit ku do të shpohi me trapan të mos ketë tuba korrenti, gazit ose uji.

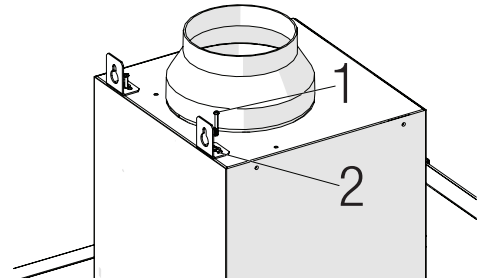
Vizatoni një vijë në mes të vendndodhjes së aspiratorit nga tavana pingul me skajin e poshtëm të aspiratorit.

Fiksojeni shabllonin e montimit në mur. Për pikat A dhe B, merrni si referim përmasat maksimale të aspiratorit, dhe hapni vrima te pikat A dhe B që keni shënuar, me punto $\varnothing 6\text{mm}$, dhe futni duke i goditur lehtë upat plastike $\varnothing 6\text{mm}$.

Fiksoni në mur pllakën bashkuese të oxhakut me 2 vidat $3,9 \times 22$ (Figura 8).

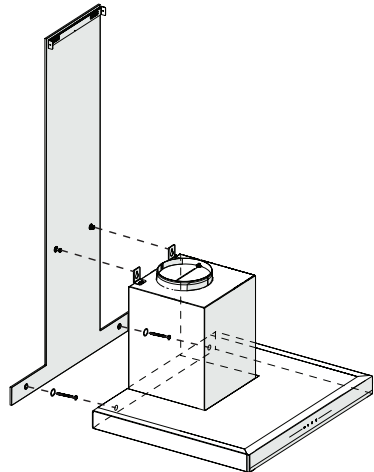
Për të montuar trupin e aspiratorit, hapni vrima te pikat C, D, E, F të specifikuar në shabllonin e montimit me punto $\varnothing 10\text{mm}$ dhe futni në këto vrima duke i goditur lehtë upat plastike $\varnothing 10\text{mm}$ (Figura 8).

Montoni 2 vida montimi $5,5 \times 60$ te pikat C dhe D duke lënë një hapësirë 5 mm midis kokës së vidës dhe murit (Figura 8).



(Figura 8)

Montoni dy pllakëza mbajtëse te trupi i aspiratorit me vida montimi $M5 \times 35$ (Figura 8).



(Figura 9)

5 Montimi i pajisjes

Mbajeni aspiratorin e kuzhinës te trupi i tij dhe vendoseni te vidat e montimit në mur dhe shtrëngojini vidat (Figura 9).

Instaloni rondelet M4 me vidat e varjes 5,5 x 60. Fiksojeni aspiratorin e kuzhinës në mur me një vidë 5.5x60 nga vrima e montimit që gjenden në anën e brendshme të pajisjes (Figura 9).

5.4 Lidhja me oxhakun

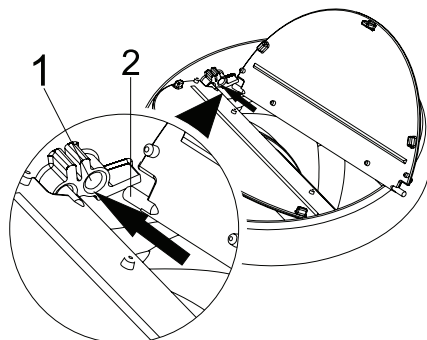
Nëse do të përdorni reduktorin plastik të oxhakut Ø 120/150 mm, lidhjeni njërin skaj të tubit me këtë reduktor, nëse nuk do ta përdorni, drejtpërdrejt te gryka dalëse e produktit. Lidhjeni anën tjetër të tubit me oxhakun. Kontrolloni që këto dy lidhje të jenë shtrënguar mjaftueshëm që të mos dalin nga vendi kur pajisja të punojë me tërë fuqinë. Kontrolloni nëse fletët brenda oxhakut funksionojnë pasi janë kapur me mbërthecka. Lidhni tubin bashkues me oxhakun nga ana e jashtme e reduktorit (Figura 11/a). Nëse tubi bashkues vendoset brenda reduktorit, nuk do të thithet ajri pasi fletët e oxhakut që pengojnë rikthimin e ajrit do të qëndrojnë të mbyllura (Figura 11/b). Gjatësia e tubit bashkues si edhe numri i bërrylave duhet të jenë sa më minimale.

A : Tubi dalës i oxhakut

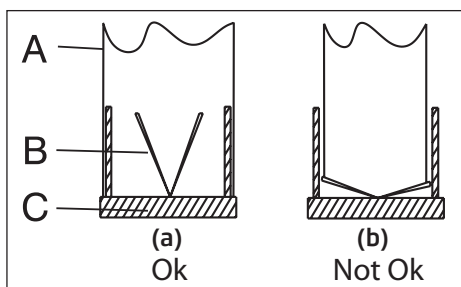
B : Fletët që hapen vetëm nga njëra anë

C: Reduktori plastik

Valvulat mbyllen kur pajisja nuk punon dhe pengon që erërat dhe pluhurat nga jashtë të mos hyjnë brenda.



(Figura 10)



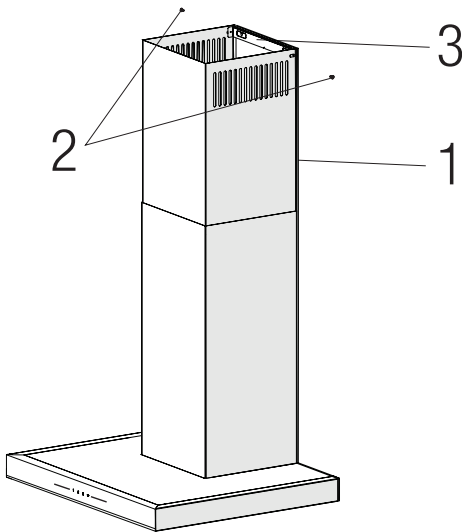
(Figura 11)

5.5 Montimi i aspiratorit me oxhakun

Bëni lidhjen elektrike të aspiratorit para se të filloni montimin e oxhakut. Hiqini pllakëzat e oxhakut që janë përreth trupit duke i rrëshqitur.

Montojeni oxhakun te pllaka bashkuese e oxhakut që është mbërthyer në mur duke e vendosur nga cepat e tij të jashtëm që ndodhen sipër (Figura 12).

5 Montimi i pajisjes

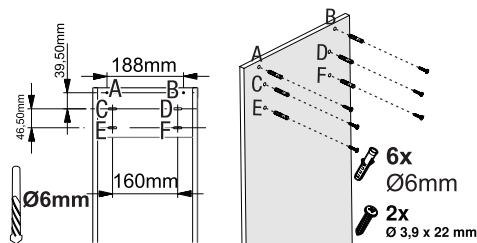


(Figura 12)

1. Oxhaku i brendshëm
2. Vidë 3.5x9.5
3. Pllaka bashkuese e oxhakut

5.6 Montimi i diafragmës së ajrit (BHCB 93640 BH)

Kur përdoret filtri prej karboni, bashkë me pajisjen ju jepet edhe një diafragmë ajri me qëllimin për të rinxjerrë ajrin që pastrohet nga filtri prej karboni nga e çara që ndodhet në oxhak. Montojeni diafragmën e ajrit si më poshtë.



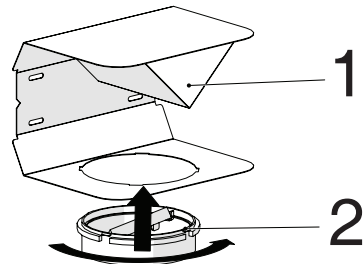
(Figura 13)

Ka një gjuhëz në mes të pllakës bashkuese të oxhakut. Vendoseni mesin e kësaj gjuhëze te

vija që është vizatuar pingul në mur. Drejtojeni horizontalisht dhe shënوني me stilolaps vrimat ku do të montohet pllaka bashkuese (Figura 13/A, B). Hapni vrimat te vendet e shënuara me punto Ø6mm dhe futni dy upa plastike Ø6mm te vrimat e hapura (Figura 13/A, B).

Fiksoni në mur pllakën bashkuese të oxhakut me vidat 3.9x22. (Figura 13/A, B).

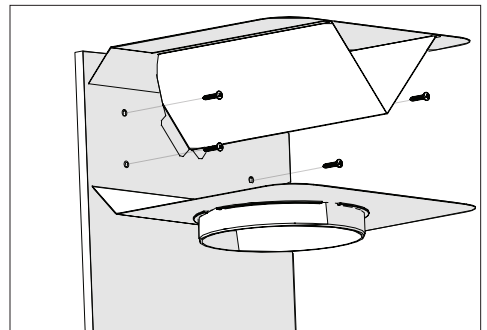
Për të montuar diafragmën e ajrit, hapni vrima në pikat C, D, E, F me punto Ø6mm dhe futni upat plastike Ø6mm (Figura 13).



(Figura 14)

1. Diafragma e ajrit
2. Reduktori plastik

Futni reduktorin plastik të oxhakut, i cili përfshihet në paketim, në drejtim të diafragmës së ajrit. Bllokoni reduktorin plastik duke e rrotulluar në drejtim të shigjetës (Figura 14).

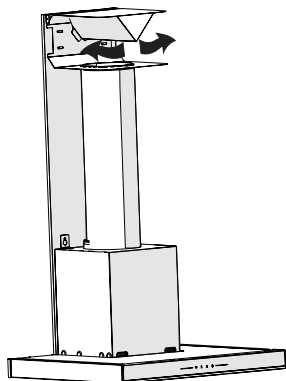


(Figura 15)

5 Montimi i pajisjes

Montojeni grupin e diafragmës së ajrit me vidat 3.9 x 22 në pikat C, D, E, F që keni përgatitur tashmë (Figura 13).

Montoni trupin e aspiratorit (Figura 7).



(Figura 16)

1. Tubi shkarkues i ajrit prej alumini

Bëni montimin e tubit shkarkues të ajrit (Figura 16).



Meqë përdredhjet dhe përkuljet e tubit të aluminit do të bëjnë që të reduktohet fuqia e thithjes së ajrit, shmangini sa më shumë këto përdredhje dhe përkulje.

Montoni pllakëzat mbajtëse të aspiratorit (Figura 12)

6 Zgjidhja e problemeve

Zgjidhja e problemeve	Arsyeja	Ndihma
Produkti nuk punon.	Kontrolloni siguresën.	Siguresa mund të jetë e mbyllur, vendoseni në punë.
Produkti nuk punon.	Kontrolloni lidhjen elektrike.	Voltazhi i rrjetit elektrik duhet të jetë 220-240 V.
Produkti nuk punon.	Kontrolloni lidhjen elektrike.	Kontrolloni nëse punojnë apo jo produktet e tjera në kuzhinën tuaj.
Llamba nuk punon.	Kontrolloni lidhjen elektrike.	Voltazhi i rrjetit elektrik duhet të jetë 220-240 V.
Llamba nuk punon.	Kontrolloni çelësin e llambës.	Çelësi i llambës duhet të jetë në pozicionin e ndezjes.
Llamba nuk punon.	Kontrolloni llambat.	Llambat e produktit nuk duhet të jenë me defekte.
Hyrja e ajrit të produktit ka probleme.	Kontrolloni filtrin e aluminit.	Filtri i aluminit për vajin duhet të pastrohet të paktën një herë në muaj në kushte normale.
Hyrja e ajrit të produktit ka probleme.	Kontrolloni kanalin e ventilimit të ajrit.	Kanali i ventilimit të ajrit duhet të jetë në pozicionin e ndezjes.
Hyrja e ajrit të produktit ka probleme.	Kontrolloni filtrin e karbonit.	Për produktet me filtra karboni, filtri duhet të ndërrohet normalisht çdo 3 muaj.

Nejprve si přečtěte tento návod k použití!





Vážený zákazníku,

Děkujeme, že jste si vybrali tento produkt značky Beko. Doufáme, že s tímto spotřebičem, který byl vyroben s využitím vysoce kvalitní a moderní technologie, dosáhnete těch nejlepších výsledků. Z tohoto důvodu si před použitím spotřebiče pečlivě přečtěte celý návod k použití a jakékoli doplňující dokumenty a uchovejte je pro budoucí použití. Pokud spotřebič předáte další osobě, rovněž jí předejte návod k použití. Dodržujte pokyny a věnujte pozornost všem informacím a varováním uvedeným v návodu k použití.

Nezapomeňte, že se tento návod může vztahovat i k několika jiným modelům. Rozdíly mezi modely jsou v návodu výslovně popsány.

Význam symbolů

V různých částech tohoto návodu k použití jsou použity následující symboly:

	Důležité informace a užitečné tipy k použití.
	VAROVÁNÍ: Upozornění na nebezpečné situace týkající se ohrožení života a majetku.
	Varování před nebezpečím požáru.
	Varování před úrazem elektrickým proudem.



Tento spotřebič byl vyroben v ekologicky šetrných a moderních zařízeních bez negativního dopadu na životní prostředí.

1 Důležité pokyny z hlediska bezpečnosti a životního prostředí

1.1 Obecné bezpečnostní pokyny

Důležité bezpečnostní pokyny, přečtěte si je pozorně a uchovejte pro pozdější použití

Tento oddíl obsahuje bezpečnostní pokyny, které vám pomohou ochránit před vznikem požáru, zásahem elektrickým proudem, následky unikající mikrovlnné energie, zraněním osob nebo poškozením majetku. Nedodržení těchto pokynů zruší platnost záruky.

- Výrobky značky Beko splňují platné bezpečnostní normy; proto v případě jakéhokoli poškození spotřebiče nebo napájecího kabelu musí být provedena oprava nebo výměna prodejcem, servisním centrem nebo odborníkem z autorizovaného servisu, aby se předešlo nebezpečí. Chybná nebo neodborná oprava může být nebezpečná pro uživatele.
- Toto zařízení je určeno pouze pro domácí a podobné použití, například:

- v prostorách kuchyňského personálu v obchodech, kancelářích a dalších pracovních prostředích;
 - na farmách;
 - klienty v hotelech a dalších typech obytného prostředí;
 - v prostředí typu Bed and Breakfast.
- Spotřebič používejte pouze k určenému účelu, jak je popsáno v tomto návodu.
 - Výrobce nenes odpovědnost za žádné škody plynoucí z nesprávné instalace či nevhodného způsobu použití spotřebiče.
 - Tento spotřebič mohou používat děti starší 8 let a osoby s omezenými tělesnými, smyslovými nebo mentálními schopnostmi anebo osoby bez příslušných znalostí a zkušeností, pokud jsou pod dozorem nebo byly poučeny o bezpečném užívání tohoto přístroje a chápou související nebezpečí.
 - Děti si se spotřebičem nesmí hrát. Čištění a údržba nesmí být prováděny dětmi bez dohledu dospělé osoby.

1 Důležité pokyny z hlediska bezpečnosti a životního prostředí

- Minimální vzdálenost mezi nosnými plochami varných nádob na varné desce a nejnižší stranou výrobku musí být nejméně 65 cm.
- Pokud v návodu k instalaci plynové desky najdete větší vzdálenost, je nutno postupovat podle toho.
- Zkontrolujte, zda vaše napájení odpovídá informacím uvedeným na štítku spotřebiče.
- Nikdy nepoužívejte spotřebič, pokud je poškozen napájecí kabel nebo spotřebič.
- Předejděte poškození napájecího kabelu zabráněním jeho zmáčknutí, ohnutí nebo odírání o ostré hrany. Napájecí kabel udržujte mimo horké povrchy a otevřený oheň.
- Spotřebič zapojte pouze do uzemněné zásuvky.
- **VAROVÁNÍ:** Nezapojte spotřebič do sítě, dokud není instalace zcela dokončena.
- Spotřebič umístěte tak, aby byla zástrčka vždy přístupná.
- Nedotýkejte se žárovek, pokud jsou v provozu delší dobu. Mohou spálit ruce, protože budou horké.
- Dodržujte předpisy stanovené příslušnými úřady o vypouštění odpadního vzduchu (toto upozornění se nevztahuje na použití bez kouřovodu).
- Spusťte spotřebič po umístění hrnce, pánve apod. na varnou desku. V opačném případě může vysoká teplota způsobit deformaci některých částí výrobku.
- Před sejmutím hrnce, pánve apod. vypněte varnou desku.
- Nenechávejte na varné desce horký olej. Nádoby s horkým olejem mohou způsobit samovznícení.
- Dávejte pozor na záclony a závěsy, protože olej se může při smažení některých potravin, jako jsou hranolky, vznítit.
- Tukový filtr musí být vyměněn nejméně jednou měsíčně. Uhlíkový filtr musí být vyměněn nejméně každé 3 měsíce.
- Spotřebič musí být čištěn v souladu s návodem k použití. Pokud

1 Důležité pokyny z hlediska bezpečnosti a životního prostředí

čištění nebylo provedeno v souladu s návodem k použití, může hrozit nebezpečí požáru.

- Namísto stávajícího filtru nepoužívejte filtrační materiály neodolné proti ohni.
- Používejte pouze originální části doporučené výrobcem.
- Neprovozujte spotřebič bez filtru a neodstraňujte filtry, když je spotřebič spuštěn.
- V případě, že dojde k zapálení plamene, vypněte napájení spotřebiče a vařičů.
- V případě, že dojde k zapálení plamene, plamen zakryjte a nikdy k jeho hašení nepoužívejte vodu.
- Spotřebič odpojte před každým čištěním a v případě, že jej nepoužíváte.
- Podtlak v místnosti nesmí překročit 4 Pa (4 x 10 bar), zatímco digestoř pro elektrickou varnou desku a spotřebiče pracující na jiném typu energie, než je elektřina, pracují současně.
- V prostředí, kde je spotřebič používán, musí být odvětrávání zařízení běžících na topném oleji

nebo plynu, jako je teplovzdušný ventilátor, naprosto izolováno nebo zařízení musí být hermetického typu.

- Při připojování kouřovodu použijte trubky o průměru 120 nebo 150 mm. Připojení trubek musí být co nejkratší a mít co nejméně záhybů.

Riziko zadušení! Všechny obaly uchovejte mimo dosah dětí.

UPOZORNĚNÍ: Přístupné součástky se mohou zahřát při použití s vařiči.

- Vývod spotřebiče nesmí být připojen ke vzduchovodům, do kterých je vyveden jiný kouř.
- Ventilace v místnosti může být nedostatečná, pokud je digestoř pro elektrickou varnou desku používána současně se zařízeními na plyn nebo jiná paliva (to neplatí pro spotřebiče, které vypouštějí vzduch zpět do místnosti).
- Předměty umístěné na spotřebiči mohou spadnout. Na spotřebič neumisťujte žádné předměty.
- Pod spotřebičem nikdy neřezávejte.

1 Důležité pokyny z hlediska bezpečnosti a životního prostředí

VAROVÁNÍ: Před instalací digestoře odstraňte ochranné fólie.

- Nikdy nenechávejte obnažený plamen pod digestoří, která je zapnutá.
- Pánve na smažení je nutno během používání stále sledovat: přehřátý olej může vzplanout.

1.2 Shoda se směrnicí OEEZ a likvidace výrobku:

Tento výrobek splňuje požadavky směrnice EU OEEZ (2012/19/EU). Tento výrobek je označen symbolem pro třídění elektrického a elektronického odpadu (OEEZ).



Tento symbol znamená, že příslušný výrobek na konci jeho životnosti nesmí být likvidován spolu s jiným domácím odpadem. Použité zařízení musíte odnést do oficiální sběrně pro recyklaci elektrických a elektronických zařízení. Obratě se na místní úřady nebo na prodejce, u kterého jste si zařízení zakoupili, a informujte se o umístění sběrných zařízení. Každá domácnost hraje důležitou roli ve sběru a recyklaci starých zařízení.

Správná likvidace starého zařízení pomáhá předejít možným negativním následkům pro životní prostředí a lidské zdraví.

1.3 Dodržování směrnice RoHS

Výrobek, který jste zakoupili, splňuje požadavky směrnice EU RoHS (2011/65/EU). Neobsahuje škodlivé ani zakázané materiály specifikované ve směrnici.

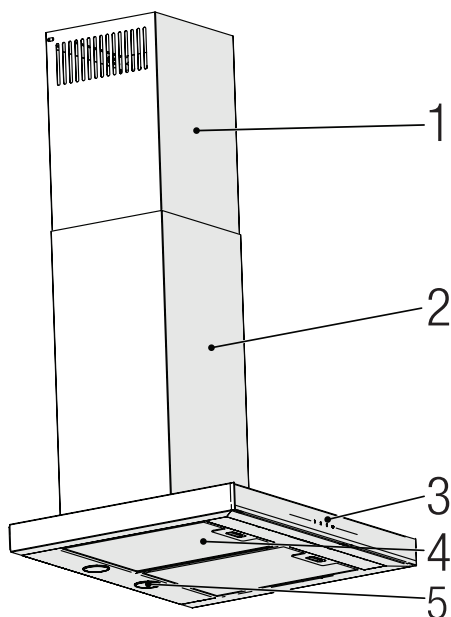
1.4 Informace o balení



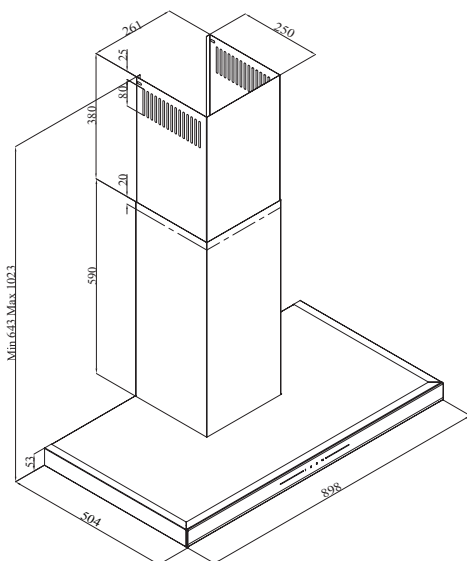
Obalové materiály produktu jsou vyrobeny z recyklovatelných materiálů v souladu s naší národní legislativou na ochranu životního prostředí. Obalové materiály nelikvidujte společně s domácím nebo jiným druhem odpadu. Odveďte je na sběrné místo obalových materiálů určené místními úřady.

2 Celkový vzhled

2.1 Přehled



(Obrázek č. 1)



(Obrázek č. 2)

BHCB 93640 B
BHCB 93640 BH

1. Vnitřní kouřovod
2. Vnější kouřovod
3. Ovládací panel
4. Hliníkové olejové filtry
5. Osvětlení oblasti vaření

2.2 Technické údaje

Model	BHCB 93640 B	BHCB 93640 BH
Napájecí napětí	220-240V ~ 50 Hz	
Příkon žárovky	2 x 3 W	
Příkon motoru	210 W	
Rychlost proudění – 3. úroveň	645 m ³ /h	
Třída izolace motoru	Třída F	
Třída izolace	Třída I	

3 Používání spotřebiče

3.1 Ovládání spotřebiče

	1	2	3
A	B	C	D
TLAČÍTKO	FUNKCE		
A : Zapnutí/vypnutí světla	Stisknutím tohoto tlačítka osvětlíte oblast vaření. Chcete-li osvětlení vypnout, stiskněte tlačítko znovu.		
B : 1. Tlačítko stupně	Spotřebič pracuje s 1. rychlostí. Po dalším stisknutí tohoto tlačítka se spotřebič vypne, zobrazení stupně rychlosti se vypne.		
C : 2. Tlačítko stupně	Spotřebič pracuje s 2. rychlostí. Po dalším stisknutí tohoto tlačítka se spotřebič vypne, zobrazení stupně rychlosti se vypne.		
D : Tlačítko 3. stupně	Spotřebič pracuje se 3. rychlostí. Po dalším stisknutí tohoto tlačítka se spotřebič vypne, zobrazení stupně rychlosti se vypne.		

3.2 Energeticky účinný provoz z hlediska úspory Použití

- Při používání spotřebiče upravte nastavení rychlosti podle intenzity páry a zápachu, abyste ušetřili energii.
- Za normálních podmínek používejte nízké rychlosti (1–2) a vysokou rychlost (3) používejte pro intenzivní zápach a páry.
- Žárovky jsou na digestoři umístěny za účelem osvětlení oblasti vaření.
- Jejich používání na osvětlení většího prostoru povede ke zbytečné spotřebě energie a k nedostatečnému osvětlení.

3.3 Pokyny k použití

- Váš spotřebič má motor, který pracuje různými rychlostmi.
- Pro dosažení lepší výkonosti doporučujeme za normálních podmínek používat nízké rychlosti

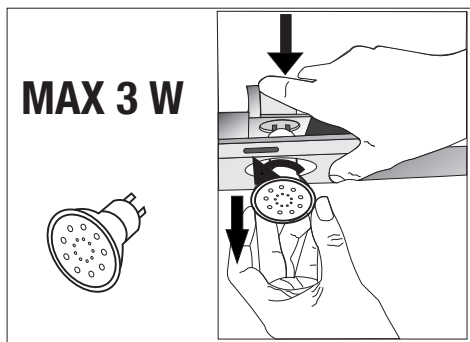
a vysoké rychlosti používat v případě silných zápachů a intenzivních par.

- Spotřebič můžete zapnout stisknutím tlačítka požadované rychlosti. (B, C, D)
- Oblast vaření osvětlíte stisknutím tlačítka osvětlení (A).

3.4 Automatické zastavení

Váš spotřebič má funkci automatického zastavení, která umožňuje trochu větší odvětrávání a odstraňuje nežádoucí pachy a páry uvnitř prostředí, a která se po dokončení vaření automaticky vypne. Chcete-li aktivovat funkci automatického zastavení, stiskněte libovolné tlačítko stupně rychlosti (B, C, D) na ovládacím panelu déle než na 2 sekundy, poté se na 15 minut aktivuje funkce časovače. Je-li funkce automatického zastavení aktivní, stisknutím stejného tlačítka stupně rychlosti se deaktivuje funkce automatického zastavení a motor spotřebiče se zastaví. Když přepínáte mezi různými stupni rychlosti, je tato funkce deaktivována. Pokud chcete, aby se spotřebič automaticky zastavil, je třeba znovu aktivovat funkci automatického zastavení.

3.5 Výměna žárovky



(Obrázek č. 3)

Připojte spotřebič k elektrické síti. Váš spotřebič používá bodovou LED žárovku 3 W. Při výměně žárovek zatlačte na držák směrem dozadu, otočte jím

3 Používání spotřebiče

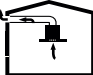
proti směru hodinových ručiček a vyjměte jej směrem dolů. Použijte výše uvedený postup obráceně a vložte nové žárovky (Obrázek č. 3).

Žárovka	
Příkon žárovky	3 W
Držák/objímka	GZ 10
Napětí žárovky	220 - 240 V
Velikost	53 x 50 mm
Kód ILCOS	DR/F3-220-240-GZ10-50-53
Světelný tok	260 lm
Související teplota barvy	3000 K


Tento výrobek obsahuje světelný zdroj třídy energetické účinnosti "F".

- Vyjměte olejový filtr. Chcete-li nainstalovat uhlíkový filtr, nasadte filtr na příchytky vystředěním na plastový díl na obou stranách tělesa ventilátoru. Utáhněte jej otáčením doprava nebo doleva.
- Vyměňte hliníkový olejový filtr.

3.6 Používání s připojením ke kouřovodu

-  Pára je odsávána potrubím kouřovodu, které je upevněno k připojovací hlavě na digestoři.
- Průměr potrubí kouřovodu musí být stejný jako u připojovacího prstence. Při vodorovném nastavení musí mít potrubí mírný sklon směrem nahoru (kolem 10°), aby mohl vzduch snadněji odcházet z místnosti.

3.7 Používání bez připojení ke kouřovodu

-  Vzduch se filtruje přes uhlíkový filtr a recirkuluje v místnosti. Uhlíkový filtr se používá, když není v domě možné použít kouřovod.
- Při použití bez kouřovodu vyjměte klapky uvnitř adaptéru kouřovodu.

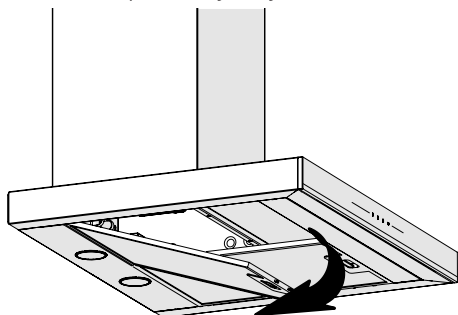
4 Čištění a údržba



Před čištěním a údržbou výrobek odpojte nebo vypněte spínačem.

4.1 Čištění hliníkových olejových filtrů

Hliníkový olejový filtr se používá k zadržení olejových částic ve vzduchu. Hliníkové filtry mohou po opakovaném čištění změnit barvu. Je to normální a neznamená to potřebu výměny vašich filtrů.



(Obrázek č. 4)

- Zatlačte zámek hliníkového olejového filtru dopředu.
- Potom jej lehce táhněte dolů a vytáhněte ven (Obrázek č. 4). Jinak se může filtr ohnout. Hliníkové olejové filtry omyjte a opláchněte tekutým čisticím prostředkem a vraťte je do jejich lůžek provedením výše uvedených kroků v opačném pořadí. Tyto hliníkové olejové filtry se používají k zadržení olejových částic ve vzduchu.

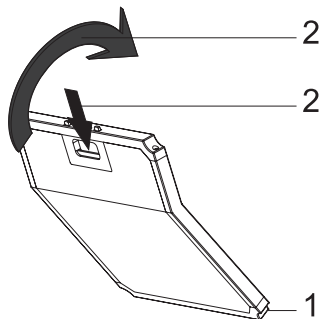


Hliníkové olejové filtry můžete také mýt v myčce.



UPOZORNĚNÍ: V případě běžného používání hliníkový olejový filtr vyčistěte jednou za měsíc.

4.2 Výměna uhlíkových filtrů



(Obrázek č. 5)

- Spotřebič, který jste si zakoupili, je vhodný pro použití s uhlíkovými filtry.
- Vyměňte hliníkové olejové filtry (Obrázek č. 4).
- Umístěte spodní část uhlíkového filtru do krytu motoru (Obrázek č. 5).
- Stiskněte přichytku uhlíkového filtru a zatlačte jej dopředu a ujistěte se, že jsou přichytky uhlíkového filtru zasunuty a uzamčeny (Obrázek č. 5).
- Připevněte hliníkové olejové filtry.



UPOZORNĚNÍ

- Uhlíkový filtr se nesmí nikdy mýt.
- Uhlíkové filtry vyměňte jednou za 3 měsíce.
- Uhlíkový filtr můžete získat v autorizovaných servisech.

5 Instalace spotřebiče



UPOZORNĚNÍ: Před zahájením instalace si přečtěte bezpečnostní informace v uživatelské příručce.

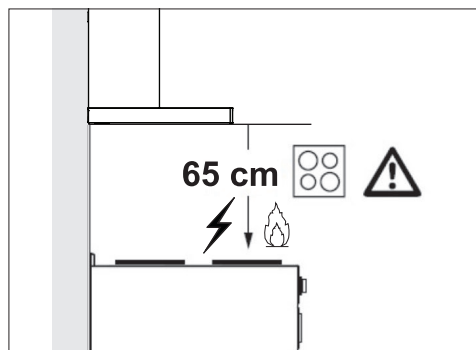


UPOZORNĚNÍ: Pokud nebudete šrouby a stabilizátory instalovat podle těchto pokynů, může dojít k úrazu elektrickým proudem.

Chcete-li si nechat digestoř nainstalovat, obraťte se na nejbližší autorizovaný servis.

Za přípravu místa a elektrickou instalaci pro digestoř odpovídá zákazník.

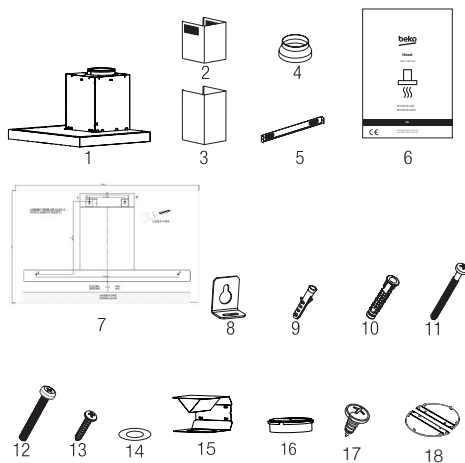
5.1 Umístění spotřebiče



(Obrázek č. 6)

- Před instalací je nutno zvážit vzdálenost mezi sporákem a digestoří. Tato vzdálenost by měla být 65 cm (Obrázek č. 6).
- U plynových sporáků se vzdálenost musí měřit od povrchu roštu,
- u elektrických sporáků od povrchu skla.

5.2 Instalace příslušenství



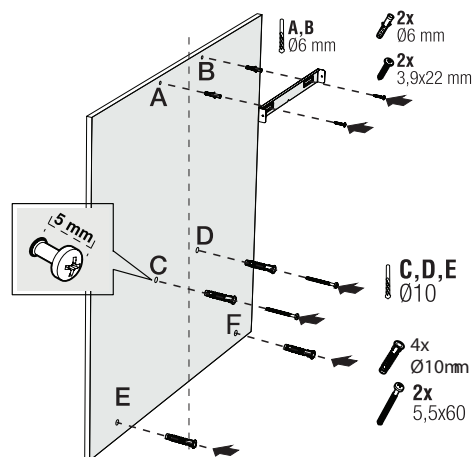
1. Výrobek
2. Vnitřní kouřovod
3. Vnější kouřovod
4. Adaptér kouřovodu $\varnothing 150/120$ mm
5. Deska pro připojení kouřovodu
6. Uživatelská příručka
7. Instalační plánek
8. 2x závěsná deska
9. 2x plastová hmoždinka $\varnothing 6$ mm
10. 3x plastová hmoždinka $\varnothing 10$ mm
11. 3x šroub pro upevnění na stěnu 5,5x60
12. 2x šroub pro připojení závěsné desky M5x35
13. 2x šroub desky pro připojení kouřovodu 3,9x22
14. Podložka 2x M4
15. Usměrňovač proudu vzduchu
16. Plastový adaptér (odváděč vzduchu)
17. Šroub pro připojení komína 2x 3,5x9,5
18. Kovová komínová svorka

Níže jsou uvedeny informace potřebné k určení umístění vhodného pro instalaci digestoře.

5 Instalace spotřebiče

5.3 Instalace na stěnu

- Stěna musí být plochá, rovná a musí mít dostatečnou nosnost.
- Hloubka navrtaných otvorů musí být v souladu s délkou šroubů.
- Dodané šrouby a hmoždinky jsou vhodné pro cihlové zdi. Pro jiný stavební materiál (např. sádkartón, desky, porézní beton) musí být použity vhodné upevňovací hmoždinky a matice.



(Obrázek č. 7)



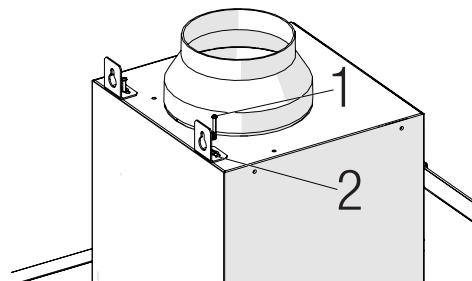
UPOZORNĚNÍ: Před vrtáním se ujistěte, že v těsné blízkosti vrtaných míst nejsou žádná vedení elektřiny, plynu nebo vody.

Od stropu nakreslete středovou čáru kolmo ke spodnímu okraji digestoře.

Upevněte na stěnu instalační šablonu. U bodů A a B vezměte jako referenční rozměry maximální rozměry digestoře, a vyvrtejte body A a B, které jste si označili, vrtákem $\text{\O}6$ mm a vložte plastové hmoždinky $\text{\O}6$ mm. Desku pro připojení kouřovodu připevněte ke stěně pomocí 2 šroubů $3,9 \times 22$ (Obrázek č. 8).

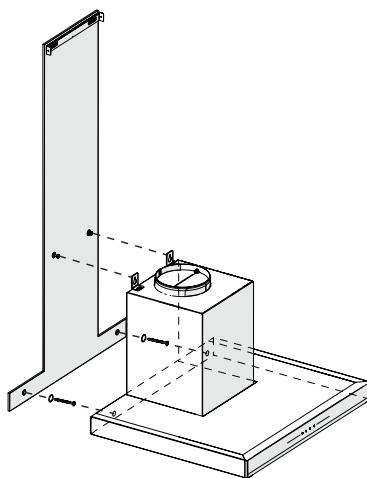
Chcete-li nainstalovat těleso digestoře, vyvrtejte pomocí vrtáku $\text{\O}10$ mm body C, D, E, F uvedené v instalační šabloně a vložte do těchto otvorů plastové hmoždinky $\text{\O}10$ mm (Obrázek č. 8).

Našroubujte 2 kusy montážních šroubů $5,5 \times 60$ do otvorů C a D s vůlí 5 mm mezi hlavou šroubu a stěnou (Obrázek č. 8).



(Obrázek č. 8)

Nainstalujte k tělesu digestoře pomocí montážních šroubů $M5 \times 35$ dva kusy závěsných desek (Obrázek č. 8).



(Obrázek č. 9)

Držte digestoř za její těleso a umístěte ji na upevňovací šrouby na stěně a utáhněte šrouby (Obrázek č. 9).

5 Instalace spotřebiče

Namontujte podložky M4 k závěsným šroubům 5,5 x 60. Zajistěte digestoř na stěně pomocí šroubu 5,5x60 instalačním otvorem na vnitřní straně spotřebiče (Obrázek č. 9).

5.4 Připojení ke kouřovodu

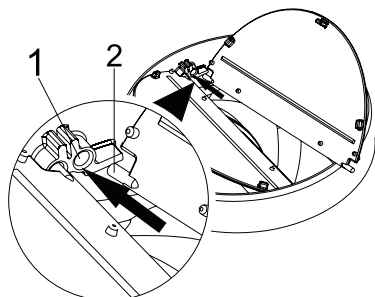
Pokud se chystáte použít plastový adaptér kouřovodu Ø120/150 mm, připojte jeden konec potrubí k tomuto adaptéru. Pokud adaptér nebudete používat, připojte jeden konec potrubí přímo k výstupu na výrobku. Druhý konec potrubí připojte k vašemu kouřovodu. Zkontrolujte, zda jsou tyto dva spoje natolik těsné, že nedojde k jejich uvolnění, když bude spotřebič pracovat na plný výkon. Zkontrolujte, zda klapky uvnitř kouřovodu fungují, když jsou utaženy svorkami. Připojte přípojovací potrubí kouřovodu na vnější stranu adaptéru (Obrázek č. 11/a). Je-li přípojovací potrubí na vnitřní straně adaptéru, nemůže dojít k sání vzduchu, protože kouřová klapka, která brání návratu vzduchu, zůstane uzavřená (Obrázek č. 11/b). Délka připojení potrubí i počet kolen musí být co nejmenší.

A: potrubí odtahu kouře

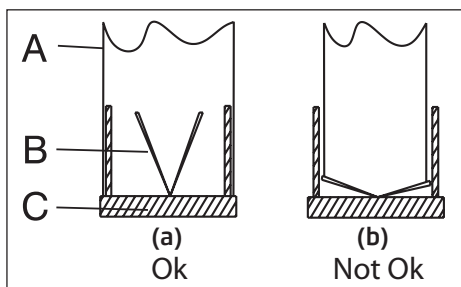
B: zpětné klapky

C: plastový kouřovod

Když spotřebič nepracuje, klapky jsou zavřené a zabraňují vniknutí možného vnějšího zápachu a prachu dovnitř.



(Obrázek č. 10)

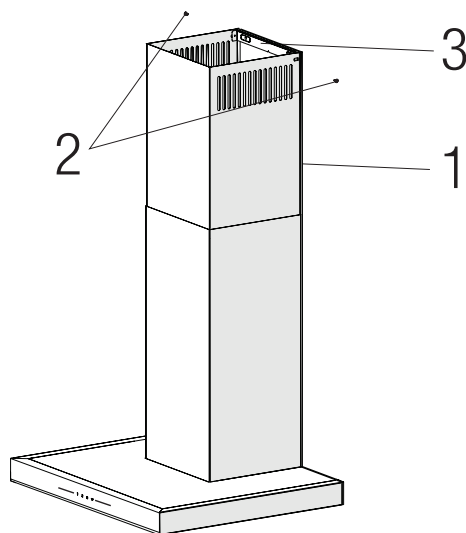


(Obrázek č. 11)

5.5 Instalace digestoře ke kouřovodu

Před zahájením instalace kouřovodu proveďte elektrické připojení digestoře. Nasuňte desky kouřovodu kolem tělesa.

Nainstalujte desku kouřovodu na upevňovací desku kouřovodu, která je připevněna ke stěně z jejich horních vnějších okrajů (Obrázek č. 12).



(Obrázek č. 12)

1. Vnitřní kouřovod

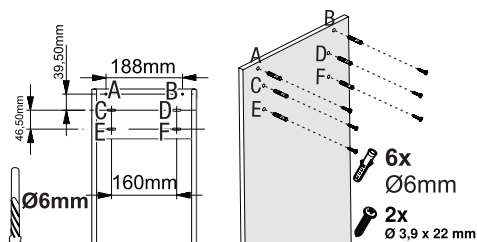
2. Šroub 3,5x9,5

3. Deska pro připojení kouřovodu

5 Instalace spotřebiče

5.6 Instalace usměrňovače proudu vzduchu (BHCB 93640 BH)

Pokud se používá uhlíkový filtr, je s vaším spotřebičem dodáván usměrňovač proudu vzduchu, jehož účelem je opětovné uvolnění vzduchu, vyčištěného uhlíkovým filtrem, z děrované oblasti na kouřovodu. Nainstalujte usměrňovač proudu vzduchu dle níže uvedeného postupu.



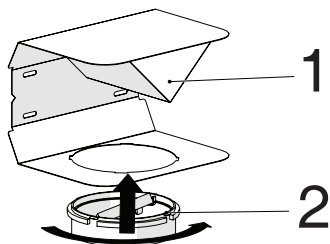
(Obrázek č. 13)

Uprostřed desky pro připojení kouřovodu je příchytka. Umístěte střed této příchytky na čáru, která je nakreslena kolmo ke stěně. Vyrovnajte vodorovně a pomocí tužky označte otvory, kde bude upevněna deska pro připojení (Obrázek č. 13/A, B).

Vyvrtejte označené body vrtákem o $\text{Ø}6$ mm a do vyvrtaných otvorů vložte dvě plastové hmoždinky o $\text{Ø}6$ mm (Obrázek č. 13/A, B).

Desku pro připojení kouřovodu připevněte ke stěně pomocí šroubů $3,9 \times 22$ (Obrázek č. 13/A, B).

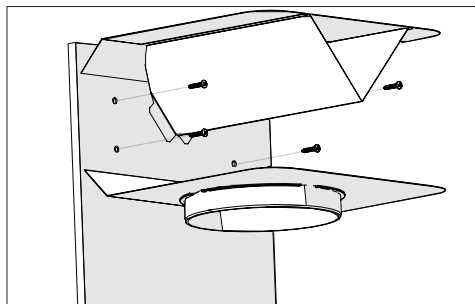
Při instalaci usměrňovače proudu vzduchu vyvrtejte body C, D, E, F vrtákem $\text{Ø}6$ mm vložte plastové hmoždinky $\text{Ø}6$ mm (Obrázek č. 13).



(Obrázek č. 14)

1. usměrňovač proudu vzduchu
2. plastový kouřovod

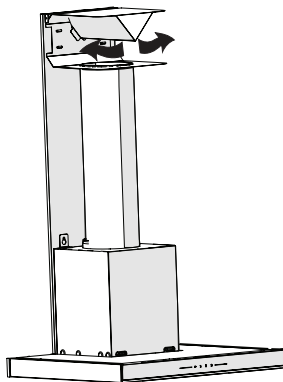
Připevněte plastový adaptér kouřovodu, který je součástí balení, ve směru usměrňovače proudu vzduchu. Uzamkněte adaptér kouřovodu otočením ve směru šipky (Obrázek č. 14).



(Obrázek č. 15)

Nainstalujte skupinu usměrňovače proudu vzduchu pomocí šroubů $3,9 \times 22$ z bodů C, D, E, F, které jste již připravili (Obrázek č. 13).

Nainstalujte těleso digestoře (Obrázek č. 7).



(Obrázek č. 16)

1. hliníkové potrubí odvodu vzduchu

Provedte instalaci potrubí odvodu vzduchu (Obrázek č. 16).

5 Instalace spotřebiče



Protože zákruty a ohyby v hliníkové potrubí povedou ke snížení sacího výkonu vzduchu, vyhněte se používání zákrutů a ohybů, jak je to jen možné.

Proved'te instalaci desek kouřovodu digestoře (Obrázek č. 12)

6 Řešení problémů

Řešení problémů	Důvod	Pomoc
Produkt nefunguje.	Zkontrolujte pojistky.	Vaše pojistka může být vybitá, zprovozněte ji.
Produkt nefunguje.	Zkontrolujte elektrické připojení.	Síťové napětí má být mezi 220-240 V.
Produkt nefunguje.	Zkontrolujte elektrické připojení.	Zkontrolujte, zda fungují ostatní výrobky v kuchyni.
Lampa osvětlení nefunguje.	Zkontrolujte elektrické připojení.	Síťové napětí má být mezi 220-240 V.
Lampa osvětlení nefunguje.	Zkontrolujte spínač lampy.	Spínač lampy musí být v poloze "zapnuto".
Lampa osvětlení nefunguje.	Zkontrolujte lampu.	Lampy produktu nesmí být vadné.
Přívod vzduchu do výrobku je slabý.	Zkontrolujte hliníkový filtr.	Hliníkový filtr na olej za obvyklého používání je třeba vyčistit alespoň jednou za měsíc.
Přívod vzduchu do výrobku je slabý.	Zkontrolujte kryt vzduchovodu.	Vzduchovod musí být v poloze "zapnuto".
Přívod vzduchu do výrobku je slabý.	Zkontrolujte uhlíkový filtr.	U výrobků s uhlíkovými filtry filtr obvykle vyměňujete každé 3 měsíce.

Najskôr si prečítajte túto používateľskú príručku!

Vážený zákazník,

Ďakujeme vám, že ste si vybrali tento spotrebič značky Beko. Dúfame, že s týmto spotrebičom, ktorý bol vyrobený vo vysokej kvalite a s najmodernejšími technológiami, dosiahnete tie najlepšie výsledky. Z tohto dôvodu si pred použitím spotrebiča pozorne prečítajte celú túto používateľskú príručku a všetky ostatné sprievodné dokumenty a uschovajte ich pre prípad potreby do budúcnosti. Ak dáte spotrebič niekomu inému, dajte mu tiež používateľskú príručku. Postupujte podľa pokynov a venujte pozornosť všetkým informáciám a varovaniam v používateľskej príručke.

Pamätajte, že sa táto používateľská príručka môže vzťahovať aj na iné modely. Rozdiely medzi modelmi budú v príručke výslovne popísané.

Význam symbolov

V rôznych častiach tejto používateľskej príručky sú použité nasledujúce symboly:



Dôležité informácie a užitočné tipy na použitie.



VAROVANIE: Upozornenia na nebezpečné situácie týkajúce sa ohrozenia života a majetku.



Upozornenia na nebezpečenstvo požiaru.



Varovanie pred zásahom elektrickým prúdom.



**RECYKLOVANÝ A
RECYKLOVATEĽNÝ
PAPIER**

Tento spotrebič bol vyrobený v modernom závode šetrnom voči životnému prostrediu bez škodlivého dopadu na prírodu.

1 Dôležité pokyny týkajúce sa bezpečnosti a životného prostredia

1.1 Všeobecná bezpečnosť

Dôležité bezpečnostné pokyny: Dôkladne si ich prečítajte a uschovejte pre nahliadnutie v budúcnosti. Táto časť obsahuje bezpečnostné pokyny, ktoré pomôžu ochrániť pred zranením osôb, poškodením majetku, vznikom požiaru alebo pred zásahom elektrickým prúdom. Nedodržanie týchto pokynov zruší platnosť akejkoľvek záruky.

- Produkty Beko spĺňajú platné bezpečnostné štandardy. V prípade akéhokoľvek poškodenia spotrebiča alebo napájacieho kábla musí byť oprava alebo výmena vykonaná predajcom, servisným centrom alebo odborníkom z autorizovaného servisu, aby sa predišlo akémukoľvek nebezpečenstvu. Chybná alebo neodborná oprava môže pre užívateľa predstavovať nebezpečenstvo a riziko.
- Tento spotrebič je určený len na použitie v domácnostiach a podobných prostrediach, ako sú napríklad:

- kuchynky pre zamestnancov v obchodoch, kanceláriách a iných pracovných prostrediach,
- budovy na farmách,
- priestory pre klientov v hoteloch, motelloch a ďalších obytných prostrediach,
- prostredia ubytovania typu Bed and Breakfast.
- Spotrebič používajte iba na určený účel, ako je popísané v tomto návode.
- Výrobca nenesie žiadnu zodpovednosť za žiadne škody spôsobené nesprávnou alebo nevhodnou inštaláciou alebo nevhodným používaním produktu.
- Tento spotrebič môžu používať deti staršie ako 8 rokov a osoby so zníženými fyzickými, vnemovými alebo mentálnymi schopnosťami, prípadne nedostatkom skúseností a vedomostí, pokiaľ sú počas prevádzky spotrebiča pod náležitým dozorom alebo sú im dané inštrukcie o bezpečnom používaní spotrebiča a sú si vedomí sprievodných rizík.

1 Dôležité pokyny týkajúce sa bezpečnosti a životného prostredia

- Deťom nesmie byť dovolené hrať sa so spotrebičom. Deti bez dozoru nesmú vykonávať čistenie ani používateľskú údržbu.
 - Minimálna vzdialenosť medzi varnými plochami sporáka a najnižšou časťou odsávača musí byť najmenej 65 cm.
 - Ak sa v pokynoch pre plynový sporák uvádza väčšia vzdialenosť, musíte ju zohľadniť.
 - Skontrolujte, či vaše napájanie zodpovedá informáciám uvedeným na štítku spotrebiča.
 - Nikdy nepoužívajte spotrebič, ak je napájací kábel alebo samotný spotrebič poškodený.
 - Zabráňte poškodeniu napájacieho kábla tým, že zabránite jeho pritlačeniu, ohýbaniu alebo odieraniu sa o ostré hrany. Napájací kábel udržiavajte mimo horúcich povrchov a otvoreného ohňa.
 - Spotrebič zapájajte iba do uzemnenej zásuvky.
 - Spotrebič umiestnite tak, aby bola zástrčka vždy prístupná.
 - Nedotýkajte sa lúčov, ak boli v prevádzke po dlhý čas. Keďže sú horúce, mohli by ste si popáliť ruky.
 - Dodržiavajte predpisy vydané kompetentnými úradmi týkajúce sa vypúšťania odsávaného vzduchu (toto neplatí pre použitie bez dymovodu).
 - Váš spotrebič spustíte len vtedy, ak je na varnej doske hrniec, panvica atď. V opačnom prípade môže teplo spôsobiť deformáciu niektorých častí vášho spotrebiča.
 - Varnú dosku vypnite pred tým, ako z nej zložíte hrniec, panvicu a pod.
 - Na varnej doske nenechávajte horúci olej. Panvice s horúcim olejom môžu zapríčiniť samovznietenie.
 - Dávajte pozor na závesy a prikrývky, keďže by olej pri tepelnej úprave mohol vzbĺknúť, napr. pri smažení.
- VAROVANIE:** Spotrebič nepripájajte k elektrickej sieti, kým úplne nedokončíte inštaláciu.

1 Dôležité pokyny týkajúce sa bezpečnosti a životného prostredia

- Filter mastnoty sa musí vymieňať aspoň raz mesačne. Uhlíkový filter sa musí vymieňať aspoň každé 3 mesiace.
- Spotrebič musí byť čistený v súlade s používateľskou príručkou. Ak čistenie nebolo vykonané v súlade s používateľskou príručkou, môže hroziť nebezpečenstvo požiaru.
- Súčasné filtre nenahrádzajte materiálmi, ktoré nie sú ohňovzdorné.
- Používajte len originálne časti odporúčané výrobcom.
- Spotrebič nespúšťajte bez filtra a filtre nevyberajte počas prevádzky spotrebiča.
- V prípade, ak sa na spotrebiči objavia plamene, odpojte spotrebič aj zariadenia určené na varenie od elektrickej siete.
- V prípade vzniku ohňa zakryte plamene a nikdy nepoužívajte vodné hasiace prístroje.
- Spotrebič odpojte pred každým čistením a v prípade, že ho nepoužívate.
- Negatívny tlak prostredia by nemal presiahnuť 4 Pa (4 x 10 bar), pokiaľ je digestor pre elektrickú varnú dosku v prevádzke súčasne so spotrebičmi fungujúcimi na inom type energie.
- V prostredí, kde je tento spotrebič používaný, musia byť výfuky zariadení fungujúcich na palivách, ako je olej alebo plyn, napr. izbové vykurovacie telesá, úplne oddelené alebo tieto zariadenia musia byť hermetického typu.
- Pri montáži dymovodu použite potrubie s priemerom 120 mm alebo 150 mm. Pripojenie cez potrubie musí byť čo najkratšie a mať čo najmenej kolien.

Nebezpečenstvo udusení!

Všetky obaly uchovajte mimo dosahu detí.

VÝSTRAHA: Prístupné časti sa počas súčasného používania so spotrebičmi na varenie môžu zahriať.

- Výfuk spotrebiča nesmie byť nájedený na vzduchové potrubia, ktoré obsahujú iný dym.

1 Dôležité pokyny týkajúce sa bezpečnosti a životného prostredia

- Vetranie miestnosti môže byť nedostatočné, ak sa digestor pre elektrické varné dosky používa súčasne so zariadeniami využívajúcimi plyn alebo iné palivá (toto sa nevzťahuje na zariadenia, ktoré vypúšťajú vzduch späť do tej istej miestnosti).
- Predmety položené na spotrebič môžu spadnúť. Na spotrebič nekladte žiadne predmety.
- Pod spotrebičom neflambujte.

VAROVANIE: Pred inštaláciou digestora odstráňte ochranné fólie.

- Počas prevádzky pod digestorom nikdy nenechávajte vysoké priame plamene.
- Fritézy sa musia počas používania nepretržite monitorovať: prehriaty olej môže vzplanúť.

1.2 Súlad so smernicou o OEEZ a likvidácia vyradeného produktu:

Tento výrobok je v súlade so smernicou o OEEZ. (2012/19/EU). Tento výrobok je označený klasifikačným symbolom pre odpad z elektrických a elektronických zariadení (OEEZ).



Tento symbol znamená to, že tento výrobok sa na konci jeho životnosti nesmie likvidovať spolu s iným domácim odpadom.

Použitý spotrebič sa musí odovzdať na oficiálnych zberných miestach na recykláciu elektrických a elektronických zariadení. Obráťte sa na miestne úrady alebo na predajcu, u ktorého ste si výrobok zakúpili, a informujte sa o umiestnení zberných zariadení. Každá domácnosť zohráva dôležitú úlohu v obnove a recyklácii starých spotrebičov. Správna likvidácia starého spotrebiča pomáha predísť možným negatívnym následkom pre životné prostredie a ľudské zdravie.

1.3 Súlad so smernicou RoHS

Výrobok, ktorý ste si zakúpili, vyhovuje smernici EÚ RoHS (2011/65/EÚ). Neobsahuje škodlivé ani zakázané materiály špecifikované v tejto smernici.

1.4 Informácie o balení



Obalové materiály tohto výrobku sú vyrobené z recyklovateľných materiálov v súlade s našimi Národnými environmentálnymi predpismi. Baliaci materiál nelikvidujte spolu s domovým odpadom alebo inými druhmi odpadu. Odneste ich na zberné miesto baliaceho materiálu, určené miestnymi úradmi.

3 Prevádzka spotrebiča

3.1 Ovládanie spotrebiča

KEY	FUNKCIE
 A	Stlačením tohto tlačidla môžete osvetliť varnú oblasť. Pre vypnutie lampy stlačte tlačidlo znovu.
1 B	Prevádzkuje spotrebič pri prvej rýchlosti. Po opakovanom stlačení tohto tlačidla prístroj vypnete, stupeň rýchlosti obrazovky sa vypne.
2 C	Prevádzkuje spotrebič pri druhej rýchlosti. Po opakovanom stlačení tohto tlačidla prístroj vypnete, stupeň rýchlosti obrazovky sa vypne.
3 D	Prevádzkuje spotrebič pri tretej rýchlosti. Po opakovanom stlačení tohto tlačidla prístroj vypnete, stupeň rýchlosti obrazovky sa vypne.

3.2 Energeticky efektívne používanie

- Pri používaní spotrebiča, upravte nastavenie rýchlosti podľa intenzity pary a zápachov, z dôvodu šetrenia energie.
- Používajte nízku rýchlosť (1-2) za obvyklých podmienok a vysokú rýchlosť (3) pri intenzívnom zápachu a pary.
- Lampy na odsávači sú umiestnené pre osvetlenie priestoru na varenie.
- Ich používanie na osvetlenie priestoru bude viesť k zbytočným výdavkom energie a k nedostatočnému osvetleniu.

3.3 Používanie digestora

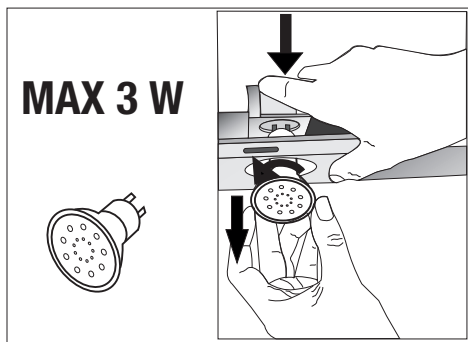
- Váš spotrebič obsahuje motor, ktorý má premenlivú rýchlosť.

- Pre lepšiu výkonnosť odporúčame používať nízke rýchlosti za normálnych podmienok a vysoké rýchlosti v prípade silných zápachov a intenzívnych výparov.
- Spotrebič môžete spustiť stlačením tlačidla požadovaného nastavenia rýchlosti. (B, C, D)
- Varnú zónu môžete osvetliť stlačením lampy (A).

3.4 Automatické zastavenie

Váš prístroj má funkciu automatického zastavenia, ktorá umožňuje trochu vetrať a odstrániť nežiaduce pachy a pary vo vnútri prostredia a po ukončení varenia sa automaticky vypne. Ak chcete povoliť funkciu automatického zastavenia, stlačte ľubovoľné tlačidlo rýchlostného stupňa (B, C, D) na ovládacom paneli dlhšie ako 2 sekundy; aktivuje sa funkcia 15-minútového časovača. Ak je funkcia automatického zastavenia aktívna, stlačením toho istého tlačidla rýchlosti sa deaktivuje funkcia automatického zastavenia a motor spotrebiča sa zastaví. Táto funkcia je vypnutá, keď prepínate medzi rôznymi stupňami rýchlosti. Ak chcete, aby sa zariadenie zastavilo automaticky, musíte znova povoliť funkciu automatického zastavenia.

3.5 Výmena žiaroviek



(Obrázok č. 3)

Vykonajte elektrické pripojenie spotrebiča. Váš spotrebič používa bodové LED svetlo 3W. Pri vý-

3 Prevádzka spotrebiča

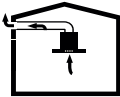
mene žiaroviek zatlačte držiak smerom dozadu, otočte ho proti smeru hodinových ručičiek a vyberte ho smerom dole. Použite vyššie uvedenú operáciu dozadu a nainštalujte nové žiarovky (Obrázok č. 3).

Žiarovka	
Výkon žiarovky	3 W
Držiak / zásuvka	GZ 10
Napätie žiarovky	220 - 240 V
Veľkosť	53 x 50 mm
ILCOS kód	DR/F3-220-240-GZ10-50-53
Svetelný tok	260 lm
Súvisiaca teplota farby	3000 K

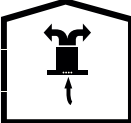
Tento výrobok obsahuje svetelný zdroj triedy energetickej účinnosti "F".

- Pri bezprúdovom používaní odstráňte klapky vo vnútri komínového adaptéra.
- Odstráňte tukové filtre. Ak chcete nainštalovať uhlíkový filter, nasadte filter na úchytky centrováním na plastový kus na oboch stranách tela ventilátora. Dotiahnite ho otočením doprava alebo doľava.
- Vymeňte tukový filter.

3.6 Prevádzka s komínom

-  Para sa odvádza cez komínové potrubie, ktoré je pripojené k pripojovacej hlave na odsávači pár.
 - Priemer komína musí byť rovnaký ako spojovací krúžok. V horizontálnych nastaveniach musí mať potrubie mierny sklon nahor (okolo 10 °), aby mohol vzduch ľahko unikať z miestnosti.

3.7 Prevádzka bez komína

-  Vzduch sa filtruje cez uhlíkový filter a recirkuluje v miestnosti. Uhlíkový filter sa používa, keď nie je možné v dome použiť komín.

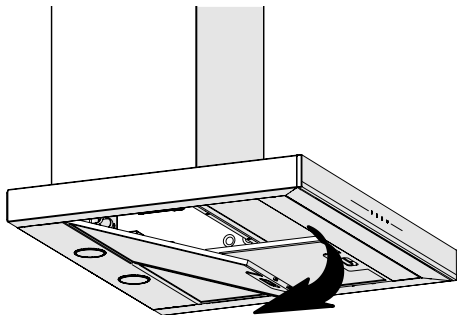
4 Čistenie a údržba



Pred čistením a údržbou výrobok odpojte alebo vypnite vypínač.

4.1 Čistenie tukového filtra

Tukový filter zadržiava častice oleja zo vzduchu. Tukové filtre môžu po opakovanom vyčistení zmeniť farbu. To je normálne a nie je potrebná výmena filtrov.



(Obrázok č. 4)

- Tukový filter zatlačte dopredu.
- Potom ho mierne potiahnite a vytiahnite (Obrázok č. 4). V opačnom prípade môžete filter ohnúť. Tukové filtre umyte a opláchnite tekutým čistiacim prostriedkom a vráťte tukové filtre do svojich uložení vykonaním vyššie uvedených krokov v opačnom poradí. Tento filter zadržiava častice oleja zo vzduchu.

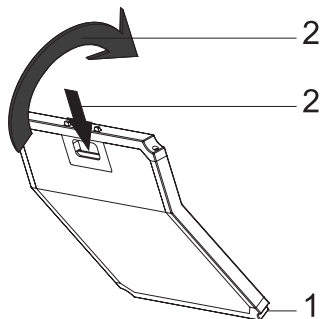


Tukové filtre môžete umývať v umývačke riadu.



VÝSTRAHA : V prípade normálneho používania vyčistíte filter raz za mesiac.

4.2 Výmena uhlíkových filtrov



- Spotrebič, ktorý ste si zakúpili, je vhodný pre použitie s uhlíkovými filtermi.
- Odstráňte tukové filtre (Obrázok č. 4).
- Umiestnite spodnú časť uhlíkového filtra do skrinky motora (Obrázok č. 5).
- Stlačte jazýček uhlíkového filtra a zatlačte ho dopredu a uistite sa, že úchytky uhlíkového filtra sú zasunuté a uzamknuté (Obrázok č. 5).
- Pridajte tukový filter.



VÝSTRAHA

- Uhlíkový filter sa nesmie nikdy umývať.
- Vymeňte uhlíkové filtre raz za 3 mesiace.
- Uhlíkový filter môžete získať od autorizovaných servisov.

5 Inštalácia spotrebiča



UPOZORNENIE: Pred začatím inštalácie si prečítajte bezpečnostné pokyny v používateľskej príručke.

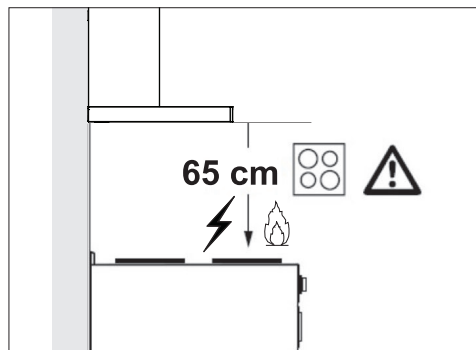


UPOZORNENIE: Neinštalovanie skrutiek a stabilizátorov podľa týchto pokynov môže mať za následok úraz elektrickým prúdom.

Ak chcete nainštalovať odsávač pár, kontaktujte najbližšiu autorizovanú službu.

Zákazník je zodpovedný za prípravu umiestnenia a elektrickej inštalácie odsávača pár.

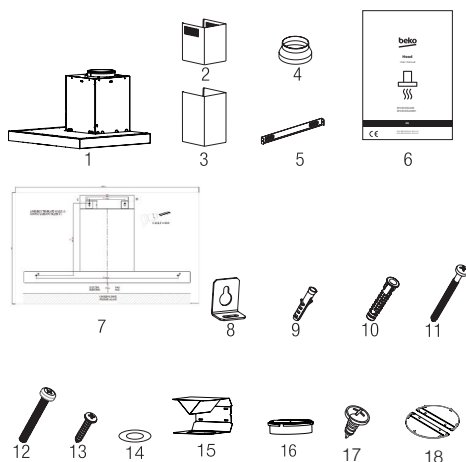
5.1 Pozícia spotrebiča



(Obrázok č. 6)

- Pred zmontovaním zvážte vzdialenosť medzi sporákom a odsávačom. Táto vzdialenosť musí byť aspoň 65 cm (Obrázok č. 4).
- U plynových sporákov sa musí merať vzdialenosť od povrchu mriežky,
- Pre elektrické sporáky od povrchu skla.

5.2 Inštalčné príslušenstvo



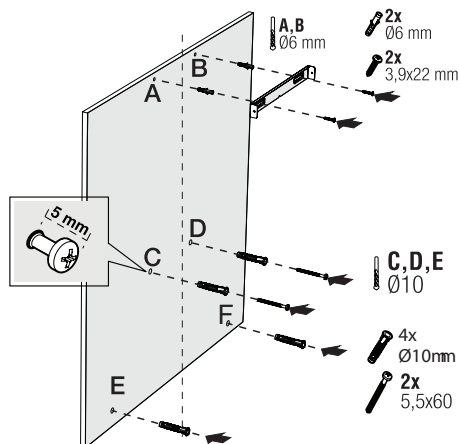
1. Výrobok
2. Vnútrotný vzduchovod
3. Vonkajší vzduchovod
4. Ø150/120 mm Adaptér vzduchovodu
5. Kominová prípojová doska
6. Návod na použitie
7. Rozmery zostavy
8. 2x Závašné dosky
9. 2x Ø6mm Plastová hmoždinka
10. 4x Ø10mm Plastová hmoždinka
11. 4x5.5x60 Skrutka pre upevnenie na stenu
12. 2x M5x35 Skrutka na pripojenie závesnej dosky
13. 2x 3.9x22 Skrutka prípojnej dosky vzduchovodu
14. Podložka 2x M4
15. Vzduchová clona
16. Plastový adaptér (odvádzač vzduchu)
17. Skrutka na pripojenie kominy 2x 3,5x9,5
18. Kovová kominová svorka

Informácie potrebné pre miesto vhodné miesto na inštaláciu odsávača pár, sú uvedené nižšie.

5 Inštalácia spotrebiča

5.3 Inštalácia spotrebiča na stenu

- Stena musí byť plochý, rovný a musí mať dostatočnú nosnosť.
- Hĺbka navŕtaných otvorov musí byť v súlade s dĺžkou skrutiek.
- Dodané skrutky a hmoždinky sú vhodné pre tehlové steny. Pri ostatných stavebných materiáloch (napr. sadrokartón, doska, pórobetón) sa použijú vhodné upevňovacie hmoždinky a matice.



(Obrázok č. 7)



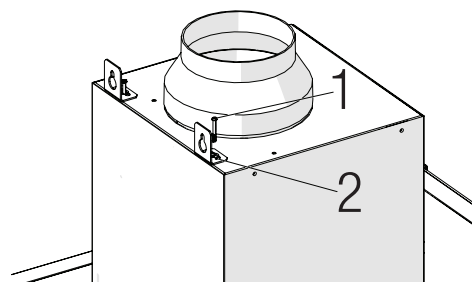
VÝSTRAHA : Pred vŕtaním sa uistite, že v tesnej blízkosti miest vŕtania nie sú rozvody elektriny, plynu alebo vody.

Nakreslite strednú čiaru od stropu kolmo na dolný okraj odsávača.

Namontujte schému montáže na stenu. Pokiaľ ide o body A a B, berte ako referenciu maximálne rozmery odsávača pár a vyvŕtajte body A a B, ktoré ste označili vrtákom Ø6mm, a vložte Ø6mm plastové hmoždinky. Nainštalujte spojovaciu dosku pre odvod pár k stene pomocou 2 kusov skrutiek 3,9x22 (Obrázok č. 8).

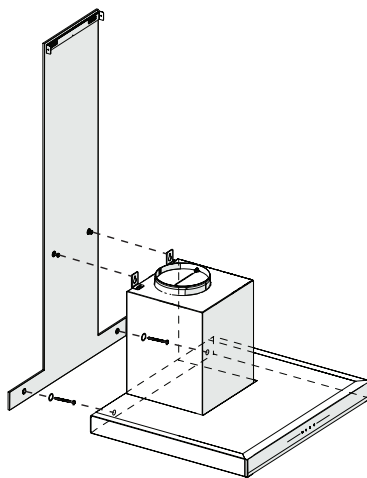
Ak chcete namontovať telo odsávača pár, vyvŕtajte body C, D, E, F uvedené na inštaláčnej šablóne pomocou Ø10mm vrtáka a do týchto bodov vložte plastové hmoždinky Ø10mm (Obrázok č. 8).

Namontujte 2 kusy upevňovacích skrutiek 5,5 x 60 do bodov C a D s vôľou 5 mm medzi hlavou skrutky a stenou (Obrázok č. 8).



(Obrázok č. 8)

Namontujte dva kusy závesných dosiek na telo odsávača pomocou montážnych skrutiek M5x35 (Obrázok č. 8).



(Obrázok č. 9)

5 Inštalácia spotrebiča

Odsávač pár držte za jeho telo a položte ho na montážne skrutky na stenu a utiahnite skrutky (Obrázok č. 9).

Namontujte podložky M4 k závesným skrutkám 5,5 x 60. Zaistíte odsávač pár pomocou skrutky 5,5 x 60 k stene cez montážny otvor na vnútornej strane spotrebiča (Obrázok č. 9).

5.4 Pripojenie na komín

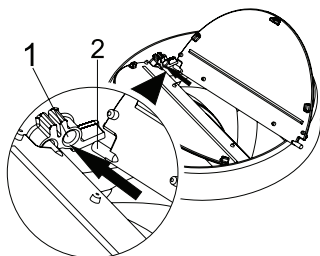
Ak sa chystáte použiť Ø 120/150 mm plastový komínový adaptér, pripojte jeden koniec rúrky k tomuto adaptéru, ak ho nebudete používať, k priamemu výstupu na produkte. Pripojte druhý koniec rúry k vášmu komínu. Skontrolujte, či sú tieto dve spoje dostatočne pevné, aby sa nevysunuli, keď bude prístroj prevádzkovaný na plný výkon. Skontrolujte, či klapky vo vnútri komína fungujú, ak sú utiahnuté svorkami. Pripojte potrubie komínového vývodu mimo adaptér (Obrázok 11/a). Ak je spojovací kanál namontovaný vo vnútri adaptéra, nesmie dôjsť k nasávaniu vzduchu, pretože komínová klapka, ktorá bráni spätnému toku vzduchu, zostane zatvorená (Obrázok 11/b). Dĺžka spojenia rúr, ako aj počet kolien musí byť čo najmenší.

A: Výstupná rúra pre komín

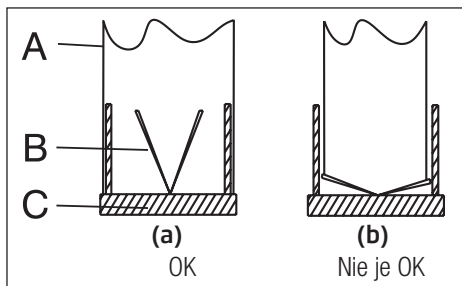
B: Spätné klapky

C: Plastový vzduchovod

Keď sú ventily zatvorené, potom prístroj nefunguje a zabraňuje vniknutiu vonkajšieho pachu a prachu.



(Obrázok č. 10)

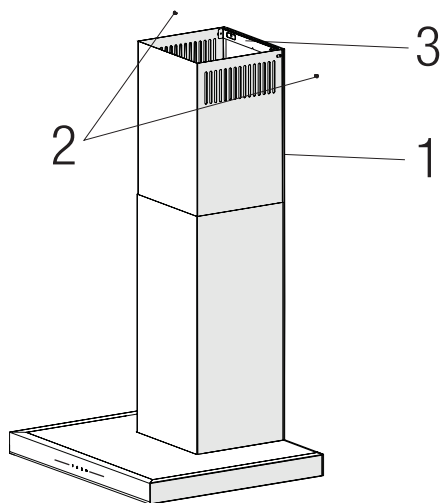


(Obrázok č. 11)

5.5 Inštalácia odsávača do komína

Pred začatím inštalácie komína vykonajte elektrické pripojenie odsávača pár. Nasuňte komínové platne okolo tela odsávača.

Nainštalujte komínovú platňu na platňu na upevnenie komína, ktorá je pripevnená k stene z jej horných vonkajších okrajov (Obrázok č. 12).



(Obrázok č. 12)

1. Vnútorňý dymovod

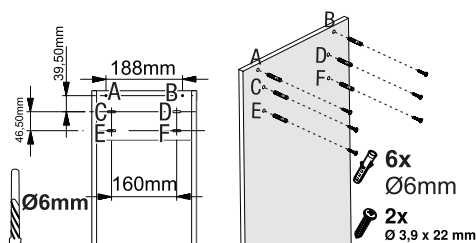
2. 3.5x9.5 skrutka

3. Komínová prípojová platňa

5 Inštalácia spotrebiča

5.6 Inštalácia vzduchovej clony (BHCB 93640 BH)

Počas používania s uhlíkovým filtrom sa so zariadením dodáva vzduchová clona s cieľom opätovne uvoľniť vzduch, ktorý sa čistí uhlíkovým filtrom, z perforovaného otvoru umiestneného na komíne. Zostavte usmerňovač vzduchu ako je uvedené nižšie.



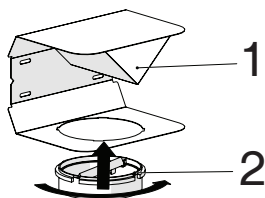
(Obrázok č. 13)

Uprostred dosky na pripojenie komína sa nachádza jazýček. Umiestnite stredný bod tejto úchytky na čiaru, ktorá je nakreslená kolmo na stenu. Zarovnajte vodorovne a označte otvory, na ktoré sa pripojovacia platňa pripevní pomocou pera (Obrázok č. 13/A, B).

Vyvrátajte označené body vrtákom Ø6mm a do vyvrátaných otvorov vložte dve plastové hmoždinky Ø6mm (Obrázok 13/A, B).

Dosku na pripojenie komína pripevnite na stenu pomocou skrutiek 3,9x22 (Obrázok č. 13/A, B).

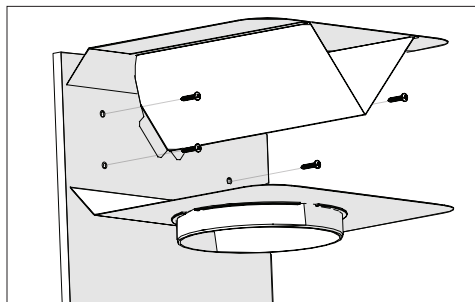
Pri montáži vzduchového usmerňovača vyvrátajte body C, D, E, F s vrtákom Ø6 mm a plastovými hmoždinkami Ø6 mm (Obrázok č. 13).



(Obrázok č. 14)

1. Vzduchová clona
2. Plastový komín

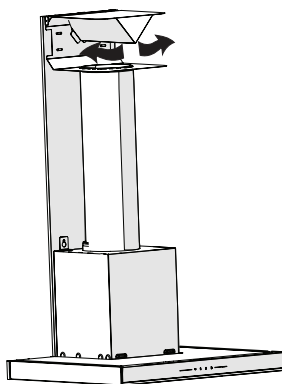
Pripojte plastový komínový adaptér, ktorý je súčasťou balenia, v smere k usmerňovaču vzduchu. Adaptér komína zaistíte jeho otočením v smere šípky (Obrázok č. 14).



(Obrázok č. 15)

Zostavte skupinu usmerňovačov vzduchu s 3,9 x 22 skrutkami z bodov C, D, E, F, ktoré ste už pripravili (Obrázok č. 13).

Zostavte telo odsávača (Obrázok č. 7).



(Obrázok č. 16)

1. Hliníková výstupná trubica vzduchu
Vytvorte zostavu potrubia na výstup vzduchu (Obrázok č. 16).

5 Inštalácia spotrebiča



Zvraty a ohyby hliníkovej rúry budú mať za následok zníženie výkonu nasávania vzduchu, vyhnite sa používaniu krútení a ohýbaní, ako je to len možné.

Namontujte komínovú dosku odsávača pár (Obrázok č. 12).

6 Riešenie problémov

Riešenie problémov	Dôvod	Pomoc
Produkt nefunguje.	Skontrolujte poistky.	Vaša poistka môže byť vybitá, sfunkčnite ju.
Produkt nefunguje.	Skontrolujte elektrické pripojenie.	Sieťové napätie má byť medzi 220-240 V.
Produkt nefunguje.	Skontrolujte elektrické pripojenie.	Skontrolujte, či fungujú ostatné výrobky v kuchyni.
Lampa osvetlenia nefunguje.	Skontrolujte elektrické pripojenie.	Sieťové napätie má byť medzi 220-240 V.
Lampa osvetlenia nefunguje.	Skontrolujte spínač lampy.	Spínač lampy musí byť v polohe "zapnuté".
Lampa osvetlenia nefunguje.	Skontrolujte lampu.	Lampy produktu nesmú byť chybné.
Prívod vzduchu do výrobku je slabý.	Skontrolujte hliníkový filter.	Hliníkový filter na olej za obvyklého používania je potrebné vyčistiť aspoň raz za mesiac.
Prívod vzduchu do výrobku je slabý.	Skontrolujte kryt vzduchovodu.	Vzduchovod musí byť v polohe "zapnuté".
Prívod vzduchu do výrobku je slabý.	Skontrolujte uhlíkový filter.	Pri výrobkoch s uhlíkovými filterami filter obvykle vymieňajte každé 3 mesiace.

Proszę najpierw przeczytać tę instrukcję obsługi!

Szanowny Kliencie,

dziękujemy za wybranie urządzenia marki Beko. Mamy nadzieję, że zakupione urządzenie, wyprodukowane z zapewnieniem wysokiej jakości przy użyciu najnowszych technologii, okaże się w pełni zadowalające. W tym celu przed użyciem urządzenia należy uważnie przeczytać całą instrukcję obsługi oraz dołączone dokumenty i zachować je do wglądu na przyszłość. Przekazując urządzenie innemu użytkownikowi, należy dołączyć również niniejszą instrukcję. Należy postępować zgodnie z instrukcjami, zwracając uwagę na wszystkie informacje i ostrzeżenia zamieszczone w niniejszym dokumencie.

Należy pamiętać, że niniejsza instrukcja może odnosić się także do innych modeli. Różnice pomiędzy modelami są wyraźnie opisane w instrukcji.

Znaczenie symboli

W różnych częściach niniejszej instrukcji obsługi stosowane są następujące symbole:



Ważne informacje i przydatne wskazówki dotyczące użytkowania.



OSTRZEŻENIE: Ostrzeżenia przed niebezpiecznymi sytuacjami zagrażającymi życiu i mieniu.



Niebezpieczeństwo pożaru.



Ostrzeżenie przed porażeniem prądem.



**PAPIER Z RECYKLINGU
I NADAJĄCY SIĘ
DO PONOWNEGO
PRZETWORZENIA**

Urządzenie zostało wyprodukowane w przyjaznym środowisku, nowoczesnych zakładach bez negatywnego wpływu na przyrodę.

1 Ważne instrukcje dotyczące bezpieczeństwa i ochrony środowiska

1.1 Ogólne zasady dotyczące bezpieczeństwa

Ważne zasady dotyczące bezpieczeństwa. Przeczytaj je uważnie i zachowaj na przyszłość. Rozdział ten zawiera instrukcje zachowania bezpieczeństwa, które pomogą chronić się przed ryzykiem pożaru, porażenia prądem elektrycznym, wycieku mikrofal, obrażeniami ciała lub uszkodzami w mieniu. Nieprzestrzeganie tych instrukcji spowoduje unieważnienie gwarancji.

- Produkty firmy Beko spełniają wszystkie wymogi stosownych norm bezpieczeństwa. W przypadku jakiegokolwiek uszkodzenia urządzenia lub przewodu zasilającego, aby uniknąć wszelkich zagrożeń, należy oddać je do naprawy lub wymiany przez sprzedawcę, punkt serwisowy lub specjalistę albo autoryzowany serwis. Błędna lub niefachowa naprawa może być niebezpieczna i powodować zagrożenie dla użytkowników.
- To urządzenie jest przeznaczone do użytku domowego i podobnych zastosowań, na przykład:
 - na zapleczu kuchennym przez personel sklepów, biur i innych miejsc pracy;
 - w gospodarstwach rolnych;
 - do użytku przez klientów hoteli i innych obiektów noclegowych;
 - w pensjonatach.
- Urządzenie należy stosować tylko zgodnie z jego przeznaczeniem, w sposób opisany w niniejszej instrukcji.
- Producent nie ponosi odpowiedzialności za szkody powstałe w wyniku nieprawidłowej instalacji lub niewłaściwego stosowania produktu.
- Urządzenie może być obsługiwane przez dzieci w wieku 8 lat i starsze, osoby o ograniczonych możliwościach fizycznych, postrzegania lub umysłowych, a także osoby bez doświadczenia lub wiedzy w zakresie obsługi urządzenia, o ile będą one pod nadzorem lub zostaną szczegółowo

1 Ważne instrukcje dotyczące bezpieczeństwa i ochrony środowiska

poinstruowane o bezpiecznym korzystaniu z urządzenia i zrozumieją potencjalne zagrożenia.

- Nie należy pozwalać dzieciom bawić się urządzeniem. Dzieci nie mogą czyścić ani konserwować urządzenia bez nadzoru.
- Minimalna odległość pomiędzy powierzchniami podpór garnków znajdującymi się na szczycie kuchenki a najniższą częścią produktu musi wynosić co najmniej 65 cm.
- Jeżeli w instrukcji instalacji gazowej płyty kuchennej podano odległość większą, wówczas należy zastosować wskazaną wartość.
- Zasilanie z domowej sieci elektrycznej musi być zgodne z informacjami podanymi na tabliczce znamionowej urządzenia.
- Urządzenia nie wolno nigdy używać, jeśli przewód zasilający lub samo urządzenie są uszkodzone.
- Aby zapobiec uszkodzeniu przewodu zasilającego, nie wolno dopuścić do jego ściskania, zgin-

ania lub ocierania o ostre krawędzie. Trzymaj przewód zasilający z dala od gorących powierzchni i otwartego ognia.

- Urządzenia można używać tylko wtedy, gdy jest podłączone do gniazda ściennego z uziemieniem.

OSTRZEŻENIE: Podłącz urządzenie do zasilania dopiero po całkowitym zakończeniu montażu.

- Urządzenie ustaw tak, aby zawsze był możliwy dostęp do wtyczki.
- Nie należy dotykać lamp, jeśli były włączone przez długi czas. Grozi to poparzeniem dłoni gorącą żarówką.
- Należy stosować się do wymagań dotyczących odprowadzania powietrza wywiewanego (to ostrzeżenie nie dotyczy sytuacji korzystania z okapu bez przewodu spalinowego).
- Okap należy uruchamiać po ustawieniu garnka, patelni itp. na płycie grzewczej. W przeciwnym wypadku wysoka temperatura może doprowadzić do zmniejsz-

1 Ważne instrukcje dotyczące bezpieczeństwa i ochrony środowiska

tałczenia niektórych części produktu.

- Okap należy wyłączać przed zdjęciem garnka, patelni itp. z płyty grzewczej.
- Nie pozostawiać rozgrzanego oleju na płycie grzewczej. Garnki z gorącym olejem mogą się zapalić samoczynnie.
- Należy uważać na zasłony i inne elementy osłaniające okna, ponieważ olej może zapalić się samoczynnie podczas smażenia np. frytek.
- Filtr tłuszczu należy wymieniać co najmniej raz w miesiącu. Filtr węglowy należy wymieniać co najmniej raz na 3 miesiące.
- Produkt należy czyścić zgodnie z instrukcją obsługi. Czyszczenie w sposób niezgodny z instrukcją obsługi może prowadzić do ryzyka pożaru.
- Zabrania się stosowania materiałów filtracyjnych nieodpornych na ogień zamiast właściwych filtrów.
- Należy stosować wyłącznie oryginalne lub zalecane przez pro-

ducenta części zamienne.

- Nie uruchamiać produktu bez zamontowanego filtra ani nie wyjmować filtrów z pracującego okapu.
- W razie pojawienia się płomieni odłączyć produkt oraz urządzenia kuchenne od zasilania.
- W razie pojawienia się płomieni przykryć płomień i w żadnym wypadku nie gasić go wodą.
- Przed każdym czyszczeniem urządzenia i gdy nie jest ono używane należy wyjąć wtyczkę z gniazdka ściennego.
- Podciśnienie w otoczeniu nie może przekraczać 4 Pa (4 × 10 barów) przy równoczesnym działaniu okapu nad elektryczną płytą grzewczą i urządzeń AGD zasilanych elektrycznie prądem o innych parametrach.
- Jeśli w pomieszczeniu, w którym działa okap, są wykorzystywane urządzenia zasilane olejem opałowym lub gazem, jak np. ogrzewacze pomieszczeń, to wylot spalin z takich urządzeń musi być całkowicie odizolowany

1 Ważne instrukcje dotyczące bezpieczeństwa i ochrony środowiska

lub takie urządzenia muszą być hermetyczne.

- Jako przewody spalinowe należy stosować rury o średnicy 120 lub 150 mm. Rura łącząca musi być możliwie jak najkrótsza i mieć jak najmniej kolanek.
- **Niebezpieczeństwo za-
dławienia!** Wszystkie materiały opakowaniowe należy trzymać z dala od dzieci.

OSTRZEŻENIE: Jeśli jest to okap nad kuchnią, jego wystające części mogą się nagrzewać.

- Wylotu produktu nie wolno przyłączać do kanałów powietrznych, które odprowadzają inny dym.
- Wentylacja w pomieszczeniu może być niewystarczająca w przypadku równoczesnego korzystania z okapu nad elektryczną płytą grzewczą oraz urządzeń zasilanych gazem lub innymi paliwami (niniejsze ostrzeżenie może nie dotyczyć urządzeń, które odprowadzają powietrze z powrotem do pomieszczenia).
- Przedmioty znajdujące się na

produkcie mogą spaść. Nie stawiać żadnych przedmiotów na produkcie.

- Nie flambiować bezpośrednio nad urządzeniem.

OSTRZEŻENIE: Przed zamontowaniem okapu usunąć folię ochronną.

- Nie wolno pozostawiać otwartego ognia pod działającym okapem
- Frytkownice trzeba stale obserwować w trakcie użytkowania: przegrzany olej może zająć się płomieniem.

1.2 Zgodność z dyrektywą WEEE i pozbywanie się zużytych wyrobów:

Wyrób ten jest zgodny z dyrektywą Unii Europejskiej w sprawie zużytego sprzętu elektrycznego i elektronicznego (WEEE) (2012/19/UE). Wyrób opatrzony jest symbolem klasyfikacyjnym dla zużytego sprzętu elektrycznego i elektronicznego (WEEE).



Symbol ten oznacza, że produktu nie należy utylizować z innymi domowymi śmieciami po zakończeniu okresu użytkowania. Zużyte urządzenie należy oddać do oficjalnego punktu odbioru zajmującego się recyklingiem urządzeń elektrycznych i elektronicznych. Aby odnaleźć tego typu miejsce, należy skontaktować się z lokalnymi władzami lub sprzedawcą, u którego zakupiono produkt. Każde gospodarstwo domowe odgrywa ważną rolę w odzyskiwaniu i recyklingu starych urządzeń. Odpowiednia utylizacja zużytego urządzenia

pomaga zapobiegać potencjalnie negatywnym konsekwencjom dla środowiska i zdrowia ludzi.

1.3 Zgodność z dyrektywą RoHS

Zakupiony wyrób jest zgodny z dyrektywą RoHS Unii Europejskiej (2011/65/UE). Nie zawiera szkodliwych ani zakazanych materiałów wyszczególnionych w tej Dyrektywie.

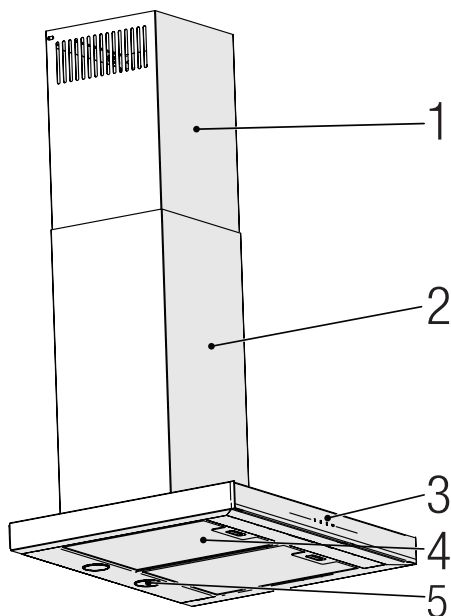
1.4 Informacje o opakowaniu



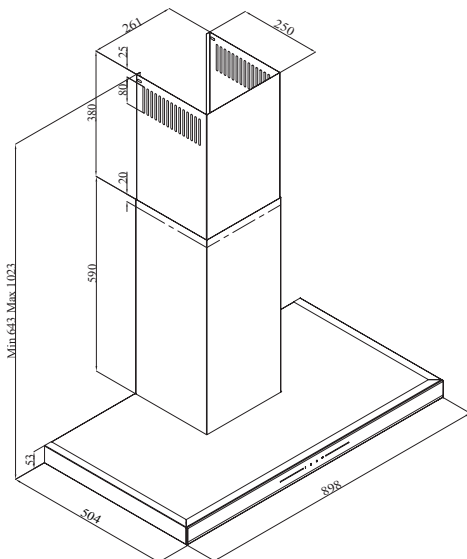
Materiały, w które opakowany jest produkt zostały wyprodukowane z surowców uzyskanych w procesie recyklingu zgodnie z krajowymi przepisami z zakresu ochrony środowiska. Nie należy utylizować materiałów opakowaniowych wraz z innymi odpadami domowymi. Należy oddać je w jednym z punktów zbiórki materiałów opakowaniowych wyznaczonych przez władze lokalne.

2 Ogólny wygląd

2.1 Omówienie



(Rys. 1)



(Rys. 2)

BHCB 93640 B
BHCB 93640 BH

1. Wewnętrzny kanał spalinowy
2. Zewnętrzny przewód kominowy
3. Panel kontrolny
4. Aluminiowe filtry oleju
5. Oświetlenie kuchenki

2.2 Dane techniczne

Model	BHCB 93640 B	BHCB 93640 BH
Napięcie zasilania	220-240V ~ 50 Hz	
Moc lampy	2 x 3 W	
Moc silnika	210 W	
Przepływ - 3. Poziom	645 m ³ /h	
Klasa izolacji silnika	Klasa F	
Klasa izolacji	Klasa I	

3 Działanie urządzenia

3.1 Sterowanie urządzeniem

			
			
PRZYCIISK	FUNKCJA		
A : Światło włączone/ wyłączone	Możesz podświetlić powierzchnię gotowania naciśnięciem tego przycisku. Naciśnij przycisk ponownie, aby wyłączyć lampę.		
B : Przycisk 1. stopnia	Obsługuje urządzenie na 1. prędkości. Po ponownym naciśnięciu tego przycisku, aby wyłączyć urządzenie, ekran stopnia prędkości wyłącza się.		
C : Przycisk 2. stopnia	Obsługuje urządzenie na 2. prędkości. Po ponownym naciśnięciu tego przycisku, aby wyłączyć urządzenie, ekran stopnia prędkości wyłącza się.		
D : Przycisk 3. stopnia	Obsługuje urządzenie na 3. prędkości. Po ponownym naciśnięciu tego przycisku, aby wyłączyć urządzenie, ekran stopnia prędkości wyłącza się.		

3.2 Wydajność pracy pod względem energooszczędności Wykorzystanie

- Podczas korzystania z okapu dostosuj ustawienia prędkości do intensywności oparów i zapachu, aby oszczędzać energię.
- Używaj niskich prędkości (1-2) w normalnych warunkach i wysokich prędkości (3) przy silnym zapachu i intensywnych oparach.
- Lampy w okapie są umieszczone w celu oświetlenia kuchni.
- Wykorzystanie ich do oświetlenia otoczenia powoduje niepotrzebne wydatki na energię i zapewnia niewystarczające oświetlenie.

3.3 Instrukcje użytkowania

- Twoje urządzenie posiada silnik, który pracuje z różnymi prędkościami.

- Aby uzyskać lepszą wydajność, zalecamy stosowanie niskich prędkości w normalnych warunkach i dużych prędkości w przypadkach silnego zapachu i intensywnych oparów.
- Możesz uruchomić urządzenie, naciskając przycisk żądanego ustawienia prędkości. (B, C, D)
- Możesz podświetlić powierzchnię gotowania włączając lampę (A).

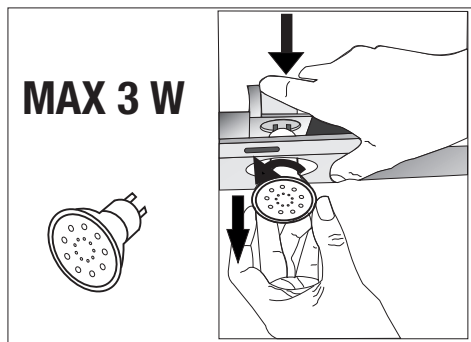
3.4 Automatyczne zatrzymanie

Twoje urządzenie posiada funkcję automatycznego zatrzymania, umożliwiającą jeszcze lepszą wentylację oraz usuwanie niepożądanych zapachów i oparów z otoczenia oraz automatycznego wyłączenia po zakończeniu gotowania. Aby włączyć funkcję automatycznego zatrzymania, naciśnij dowolny przycisk stopnia prędkości (B, C, D) na panelu sterowania przez ponad 2 sekundy: włączy się funkcja wyłączenia po 15 minutach. Gdy funkcja automatycznego zatrzymania jest aktywna, naciśnięcie tego samego przycisku prędkości wyłącza funkcję automatycznego zatrzymania i silnik urządzenia zatrzymuje się. Ta funkcja wyłącza się, gdy przełączasz się między różnymi stopniami prędkości.

Jeśli chcesz, aby urządzenie zatrzymało się automatycznie, musisz ponownie włączyć funkcję automatycznego zatrzymania.

3 Działanie urządzenia

3.5 Wymiana lamp



(Rys. 3)

Wykonaj połączenia elektryczne urządzenia. Twoje urządzenie wykorzystuje punktową lampę LED o mocy 3W. Aby wymienić, popchnij uchwyt lampy w dół, obróć ją w lewo i pociągnij w dół. Zastosuj powyższą operację w odwrotnej kolejności, aby zainstalować nowe lampy (rys. 3).

Żarówka	
Moc żarówki	3 W
Uchwyt/gniazdo	GZ 10
Napięcie żarówki	220 - 240 V
Wymiary	53 x 50 mm
Kod ILCOS	D R / F 3 - 2 2 0 - 2 4 0 - GZ10-50-53
Strumień świetlny	260 lm
Skorelowana temperatura barwowa	3000 K

Ten produkt zawiera źródło światła o klasie efektywności energetycznej "F".

3.6 Praca z odprowadzaniem spalin

- Opary są odprowadzane przez kanał spalinowy, który jest przy mocowany do głowicy przyłączeniowej na okapie.
- Średnica kanału spalinowego musi być taka sama jak pierścienia przyłączeniowego. W ustawieniach poziomych rura musi mieć niewielkie nachylenie do góry (około 10°), aby powietrze mogło łatwo opuścić pomieszczenie.

3.7 Praca bez odprowadzania spalin

- Powietrze jest filtrowane przez filtr węglowy i recykulowane w pomieszczeniu. Filtr węglowy stosuje się, gdy nie można skorzystać z przewodu kominowego w domu.
- W przypadku zastosowania bez odprowadzania spalin, usuń kłapy wewnątrz adaptera do przewodu kominowego.
- Wymij filtr olejowy. Aby zainstalować filtr węglowy, dopasuj filtr do wypustek, wyśrodkowując go na plastikowym elemencie po obu stronach korpusu wentylatora. Dokręć, obracając w prawo lub w lewo.
- Wymień aluminiowy filtr oleju.

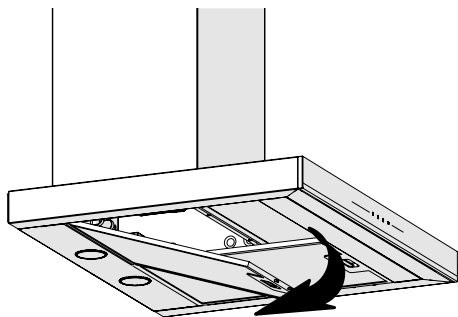
4 Czyszczenie i konserwacja



Przed czyszczeniem i konserwacją należy odłączyć produkt od zasilania lub wyłączyć przełącznik.

4.1 Czyszczenie aluminiowego filtra oleju

Ten filtr zatrzymuje cząsteczki oleju w powietrzu. Aluminiowe filtry oleju mogą zmieniać kolor podczas mycia; jest to normalne i nie wymaga wymiany aluminiowych filtrów oleju.



(Rys. 4)

- Popchnij blokadę aluminiowego filtra oleju do przodu.
- Następnie pociągnij go lekko w dół i wyciągnij (rys. 4). W przeciwnym razie możesz wygiąć filtr. Aluminiowe filtry oleju umyj i wypłucz płynnym detergentem i włóż umiść je z powrotem na ich gniazdach, wykonując powyższe czynności w odwrotnej kolejności. Aluminiowy filtr oleju zatrzymuje cząsteczki oleju w powietrzu.

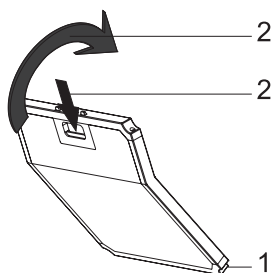


Możesz myć aluminiowe filtry oleju w zmywarce do naczyń.



UWAGA: W przypadku normalnego użytkowania wyczyść filtr raz na miesiąc.

4.2 Wymiana filtra węglowego



(Rys. 5)

- Zakupiony sprzęt jest odpowiedni do stosowania z filtrami węglowymi.
- Wyjmij aluminiowy filtr oleju (rys. 4).
- Umieść dolną część filtra węglowego na obudowie silnika (rys. 5).
- Naciśnij zaczep filtra węglowego, popchnij go do przodu i upewnij się, że zaczepy filtra węglowego są zablokowane. (Rys. 5)
- Zainstaluj aluminiowy filtr oleju.

UWAGA



- Nie wolno myć filtra węglowego.
- Wymieniaj filtry węglowe co 3 miesiące.
- Filtr węglowy można zakupić w autoryzowanych serwisach.

5 Instalacja urządzenia



OSTRZEŻENIE: Przed rozpoczęciem instalacji przeczytaj informacje dotyczące bezpieczeństwa w instrukcji obsługi.

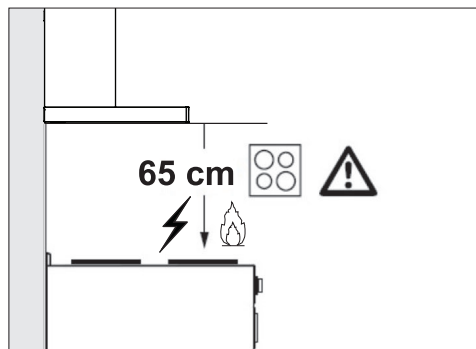


OSTRZEŻENIE: Niezainstalowanie za pomocą śrub i stabilizatorów zgodnie z niniejszą instrukcją może spowodować porażenie prądem.

Aby zainstalować okap, skontaktuj się z najbliższym autoryzowanym serwisem.

Obowiązkiem klienta jest przygotowanie lokalizacji i instalacji elektrycznej okapu.

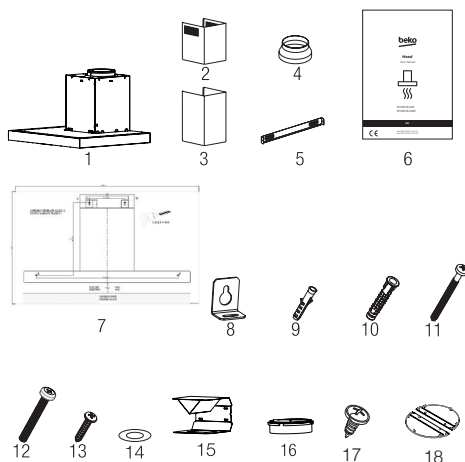
5.1 Pozycja urządzenia



(Rys. 6)

- Przed montażem należy wziąć pod uwagę odległość między kuchenką a okapem kuchennym. Odległość ta powinna wynosić 65cm (rys. 6).
- W przypadku kuchenek gazowych odległość należy zmierzyć od powierzchni rusztu
- lub od szklanej powierzchni kuchenek elektrycznych.

5.2 Akcesoria instalacyjne



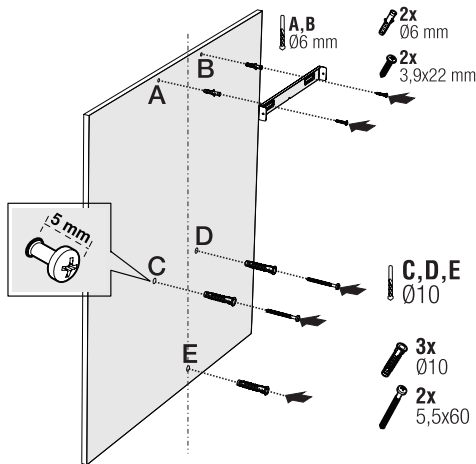
1. Produkt
2. Wewnętrzny kanał spalinowy
3. Zewnętrzny przewód kominowy
4. Ø150/120mm adapter do przewodu spalinowego
5. Płyta przyłączeniowa przewodu kominowego
6. Instrukcja obsługi
7. Wzór montażu
8. 2 płyty do zawieszania
9. 2 plastikowe kołki Ø6mm
10. 4 plastikowe kołki Ø10mm
11. 4 wkręty do mocowania do ściany 5,5x60
12. 2 wkręty łączące płytę do zawieszania M5x35
13. 2 wkręty do mocowania płyty przyłączeniowej przewodu kominowego 3,9x22
14. Podkładka płaska M4 x2
15. Nawiewka powietrza
16. Łącznik plastikowy (rozdzielacz powietrza)
17. 2x 3,5x9,5 Śruba do płyty łączeniowej komina
18. Zacisk kominowy

Informacje wymagane, aby lokalizacja była odpowiednia do montażu okapu, podano poniżej.

5 Instalacja urządzenia

5.3 Montaż naścienny

- Ściana musi być płaska, prosta i mieć wystarczającą nośność.
- Głębokość wierconych otworów musi odpowiadać długości śrub.
- Dostarczone wkręty i kołki nadają się do ścian z cegły. W przypadku innych materiałów budowlanych (np.: płyt kartonowo-gipsowych, płyty, porowatego betonu) należy zastosować odpowiednie kołki ustalające i nakrętki.



(Rys. 7)



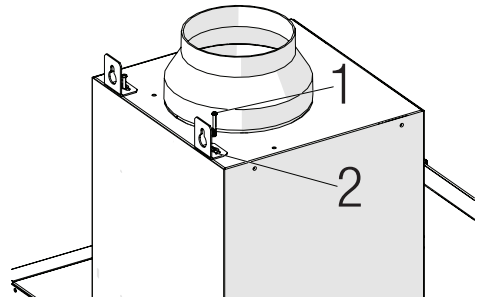
UWAGA: Przed wierceniem upewnij się, że w pobliżu miejsc wiercenia nie ma przewodów, rur gazowych ani wodnych.

Narysuj środkową linię lokalizacji od sufitu prostopadłą do dolnej krawędzi okapu.

Przymocuj schemat montażu na ścianie. W przypadku punktów A i B jako odniesienie należy przyjąć maksymalne wymiary okapu i wywiercić zaznaczone punkty A i B wiertłem o średnicy $\varnothing 6\text{mm}$ i wbić kołki plastikowe o średnicy $\varnothing 6\text{mm}$. Przymocuj płytę przyłączeniową do ściany za pomocą wkrętów $3,9 \times 22$ (rys. 8).

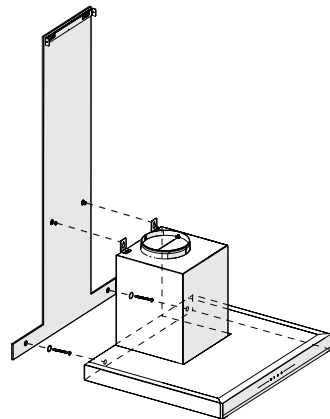
Aby zainstalować korpus okapu, wywierć otwory w punktach C, D, E, F określone w szablonie montażowym za pomocą wiertła o średnicy $\varnothing 10\text{mm}$ i wbij w wywiercone otwory plastikowe kołki $\varnothing 10\text{mm}$ (rys. 8).

Wkręć 2 śruby montażowe $5,5/60$ tak, aby łebki odstawiały od ściany na odległość 5mm (rys. 8).



(Rys. 8)

Przymocuj dwa elementy płyt do podwieszania do korpusu okapu za pomocą śrub montażowych $M5 \times 35$ (rys. 8).



(Rys. 9)

Chwyć okap kuchenny za jego korpus i umieść go w śrubach montażowych na ścianie i dokręć je (rys. 9).

5 Instalacja urządzenia

Zamontuj podkładki M4 na śrubach do zawieszania 5,5x60. Przymocuj okap kuchenny za pomocą wkrętu 5,8x50 do ściany przez otwór montażowy we wnętrzu urządzenia (rys. 9).

5.4 Podłączenie do przewodu kominowego

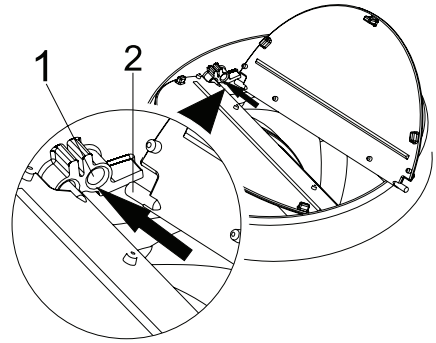
Jeśli zamierzasz użyć plastikowego adaptera do przewodu kominowego o śr. $\varnothing 120/150\text{mm}$, podłącz jeden koniec rury do tego adaptera, jeśli nie zamierzasz go używać, bezpośrednio do wylotu urządzenia. Podłącz drugi koniec do przewodu kominowego. Sprawdź, czy te dwa połączenia są wystarczająco solidne, aby nie się nie poluzowały, gdy urządzenie działa na pełnej mocy. Sprawdź, czy kłapy wewnątrz przewodu spalinowego działają po ich dokręceniu zaciskami. Podłącz przewód przyłączeniowy przewodu kominowego na zewnątrz adaptera (rys. 11/a). Jeśli przewód przyłączeniowy jest zamontowany wewnątrz adaptera, nie dojdzie do zasysania powietrza, ponieważ kłapa spalinowa, która zapobiega powrotowi powietrza, pozostanie zamknięta (rys. 11/b). Długość połączenia rurowego, jak również liczba kolanek musi być możliwie jak najmniejsza.

A : Rura wylotowa przewodu spalinowego

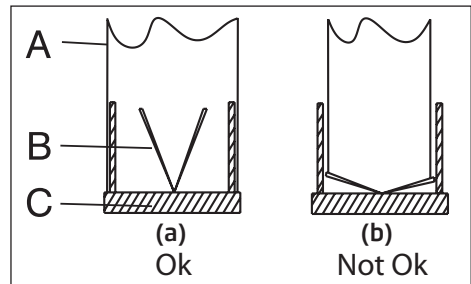
B : Kłapy zwrotne

C: Przewód spalinowy z tworzywa sztucznego

Zawory są zamknięte gdy urządzenie nie działa, zapobiegając przedostawaniu się do środka zapachów i kurzu z zewnątrz.



(Rys. 10)



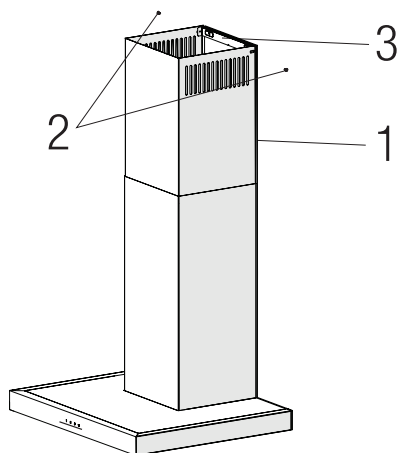
(Rys. 11)

5.5 Przyłączenie okapu do przewodu kominowego

Wykonaj podłączenie elektryczne okapu przed rozpoczęciem instalacji przewodu spalinowego. Przesuń płyty przewodu spalinowego wokół obudowy.

Zamontuj płytę przewodu spalinowego do płyty mocującej przewód kominowy, która jest przymocowana do ściany od strony górnych zewnętrznych krawędzi (rys. 12).

5 Instalacja urządzenia

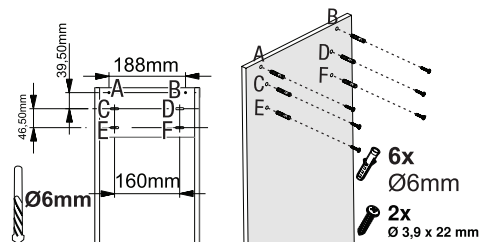


(Rys. 12)

1. Wewnętrzny kanał spalinowy
2. Wkręt 3,5x9,5
3. Płyta przyłączeniowa przewodu kominowego

5.6 Instalacja nawiewki powietrza (BHCB 93640 BH)

Podczas pracy z filtrem węglowym, nawiewka powietrzna jest dostarczana z urządzeniem w celu ponownego wprowadzenia powietrza, które jest oczyszczane filtrem węglowym z perforacji znajdującej się na przewodzie spalinowym. Zamontuj nawiewkę powietrza jak opisano poniżej.



(Rys. 13)

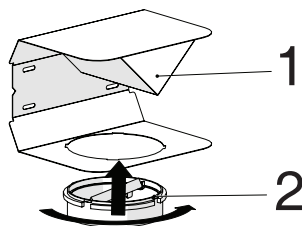
Na środku płyty przyłączeniowej komina znajduje się języczek. Umieść jego środkowy punkt na linii narysowanej prostopadle do ściany. Wyrównaj w

poziomie i za pomocą pisaka zaznacz otwory, w których zostanie zamontowana płyta łącząca (rys. 13/A, B).

Wywierć otwory w zaznaczonych punktach wiertłem $\text{Ø}6\text{mm}$ i włóż do nich 2 plastikowe kołki $\text{Ø}6\text{mm}$ (rys.13/A, B).

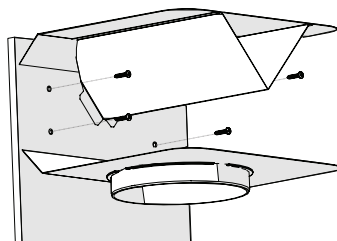
Przymocuj płytę przyłączeniową do ściany za pomocą wkrętów 3,9x22 (rys. 13/A, B).

W celu montażu nawiewki powietrza, wywierć otwory w punktach C, D, E, F za pomocą wiertła o średnicy $\text{Ø}6\text{mm}$ i wbij plastikowe kołki o średnicy $\text{Ø}6\text{mm}$ (rys. 13).



(Rys. 14)

1. Nawiewka powietrza
 2. Przewód spalinowy z tworzywa sztucznego
- Przymocuj plastikowy adapter przewodu spalinowego, który znajduje się w opakowaniu, w kierunku nawiewki powietrza. Zablokuj adapter spalin, obracając go w kierunku strzałki (rys. 14).

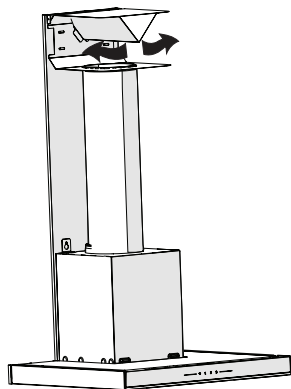


(Rys. 15)

Zamontuj zespół nawiewki powietrza za pomocą wkrętów 3,9x22 z punktów C, D, E, F, które uprzednio przygotowano (rys. 13).

Złóż korpus okapu (Rys. 7).

5 Instalacja urządzenia



(Rys. 15)

1. Aluminiowa rura wylotowa powietrza

Wykonanie zespołu rury wylotowej powietrza (rys. 16).



Ponieważ zagięcia i skręty w aluminiowej rurze doprowadzą do zmniejszenia siły zasysania powietrza, należy ich unikać.

Zamontuj płyty przewodu spalinowego okapu (rys. 9)

6 Rozwiązywanie problemów

Rozwiązywanie problemów	Problem	Pomoc
Produkt nie działa.	Sprawdź bezpiecznik.	Bezpiecznik może być zablokowany, napraw to.
Produkt nie działa.	Sprawdź połączenie elektryczne.	Napięcie sieciowe powinno wynosić między 220-240 V.
Produkt nie działa.	Sprawdź połączenie elektryczne.	Sprawdź, czy inne przedmioty w Twojej kuchni działają, czy nie.
Oświetlenie nie działa.	Sprawdź połączenie elektryczne.	Napięcie sieciowe powinno wynosić między 220-240 V.
Oświetlenie nie działa.	Sprawdź włącznik oświetlenia.	Powinien się znajdować w pozycji „ON”
Oświetlenie nie działa.	Sprawdź lampy.	Lampy nie powinny być uszkodzone.
Pobór powietrza jest słaby.	Sprawdź filtr przeciwłuszczo- wy.	Aluminiowy filtr przeciwłuszczo- wy należy czyścić co najmniej raz w miesiącu przy normalnym użyt- kowaniu.
Pobór powietrza jest słaby.	Sprawdź kanał wentylacyjny.	Powinien się znajdować w pozycji „ON”
Pobór powietrza jest słaby.	Sprawdź filtr węglowy.	W przypadku produktów z filtrami węglowymi filtr należy wymieniać co 3 miesiące.

Droży Klienci,

Dziękujemy za zakup naszych produktów. Jesteśmy przekonani, że nasze urządzenia będą służyć przez lata. Każdy produkt firmy Beko jest objęty 2-letnim okresem gwarancji.

Warunki gwarancji Beko S.A- (małe urządzenia AGD)

BEKO spółka akcyjna z siedzibą w Warszawie (02-819), przy ulicy Puławskiej 366, wpisana do rejestru przedsiębiorców prowadzonego przez Sąd Rejonowy dla m.st. Warszawy w Warszawie, XIII Wydział Gospodarczy Krajowego Rejestru Sądowego, pod numerem: 0000078147 (dalej: „BEKO”) udziela gwarancji jakości (dalej: „Gwarancja”) na wprowadzone przez BEKO do obrotu na terenie Polski produkty marki BEKO (dalej: „Urządzenia”) osobom, które nabyły te produkty („Użytkownik”) na następujących warunkach:

I. ZAKRES OCHRONY.

BEKO gwarantuje, że Urządzenie zakupione przez Użytkownika jest wolne od wad produkcyjnych lub materiałowych, powstałych z przyczyn tkwiących w tym Urządzeniu (dalej: „Wada”), które ujawnią się w ciągu terminu określonego w części II. niniejszych Warunków Gwarancji (dalej: „Okres Gwarancyjny”).

W razie ujawnienia się Wady Produktu w trakcie Okresu Gwarancyjnego, zostanie ona usunięta na koszt BEKO w sposób uzależniony od właściwości wady, na zasadach i w zakresie określonym w niniejszych Warunkach Gwarancji.

BEKO zobowiązuje się do usunięcia Wady poprzez dokonanie nieodpłatnej naprawy lub wymiany Urządzenia, bądź też reklamacja zgłoszona na podstawie niniejszych Warunków Gwarancji zostanie rozpoznana w inny sposób uzgodniony przez BEKO i Użytkownika.

Udzielona gwarancja jest ważna na terytorium Rzeczypospolitej Polskiej.

II. CZAS TRWANIA GWARANCJI.

Okres Gwarancyjny wynosi 24 miesiące licząc od daty zakupu Urządzenia przez pierwszego Użytkownika.

III. PROCEDURA ZGŁOSZENIA REKLAMACYJNEGO.

Wady Urządzenia ujawnione w Okresie Gwarancyjnym będą usuwane pod warunkiem przedstawienia przez Użytkownika dowodu zakupu tego Urządzenia zawierającego oznaczenia niezbędne do jego identyfikacji (model, datę zakupu).

Uprawnienia wynikające z niniejszych Warunków Gwarancji mogą być zrealizowane przez Użytkownika wyłącznie w Autoryzowanych Punktach Serwisowych BEKO (dalej: „Serwis”) po uprzednim dokonaniu zgłoszenia na Infolinii BEKO pod numerem telefonu: 222501414. Urządzenie powinno być odpowiednio zapakowane i zabezpieczone przez Użytkownika na czas transportu do punktu serwisowego Beko.

Wady Urządzenia będą usunięte w terminie 14 dni od daty zgłoszenia Wady na Infolinii BEKO.

Jeżeli część zamienna wymieniana w ramach uprawnień wynikających z niniejszych Warunków Gwarancji Urządzenia jest sprowadzana z zagranicy, termin naprawy, o którym

mowa w punkcie 5 powyżej, może ulec wydłużeniu jednak, nie więcej niż do 30 dni licząc odpowiednio od daty zgłoszenia Wady na Infolinii BEKO. Informacje o spodziewanych terminach napraw dostępne są na Infolinii BEKO pod numerem 222501414. Po usunięciu Wady, Urządzenie zostanie dostarczone Użytkownikowi na koszt BEKO.

IV. WYŁĄCZENIA.

Warunkiem skorzystania z niniejszych Warunków Gwarancji jest:

użytkowanie Urządzenia zgodnie z Instrukcją Obsługi dołączoną do tego Urządzenia i jego przeznaczeniem, jak również odpowiednie czyszczenie i konserwację Urządzenia; użytkowanie w warunkach indywidualnego gospodarstwa domowego. Urządzenie nie jest używane do celów prowadzenia działalności gospodarczej lub w zastosowaniach eksploatacji masowej, w szczególności w gastronomicznej działalności hoteli, restauracji i innych obiektów turystyczno-rekreacyjnych lub zbiorowego żywienia. stosowanie osprzętu zalecanego przez producenta; brak ingerencji w Urządzenie przez osoby do tego nieupoważnione; brak ingerencji w tabliczkę znamionową z numerem seryjnym Urządzenia. Udzielona przez Beko Gwarancja nie obejmuje:

wad powstałych z przyczyn innych niż tkwiące w Urządzeniu;

normalnego zużycia elementów eksploatacyjnych tj. akumulatory, baterie, noże, filtry, żarówki, szczotki, itp.;

czynności przewidzianych w Instrukcji Obsługi, do wykonania których zobowiązany jest Użytkownik Urządzenia we własnym zakresie i na swój koszt, w tym: instruktażu dotyczącego obsługi Urządzenia, instalacji oraz regulacji urządzenia.

usterek powstałych w wyniku nieprawidłowego lub niewłaściwego użytkowania, niedbalstwa, przypadkowego uszkodzenia Urządzenia, nieodpowiedniego napięcia prądu lub dokonania jakichkolwiek zmian, które mają wpływ na niewłaściwe działanie Urządzenia, i które naprawiane były przez osoby nieupoważnione, używania instalacji niezgodnych z odpowiednimi Polskimi Normami i innych niż wymienione w Instrukcji Obsługi Urządzenia; uszkodzeń mechanicznych, termicznych, chemicznych, korozji, innych uszkodzeń spowodowanych działaniem lub zaniedbaniem Użytkownika lub powstałych na skutek działania sił zewnętrznych (do których zalicza się w szczególności wyładowania atmosferyczne, skoki napięcia, wszystkiego rodzaju awarie domowej instalacji wodno-kanalizacyjnej, itp.), a także powstałych na skutek przedostania się zanieczyszczeń lub ciał obcych do Urządzenia, zakamienienia (proces odkamieniania musi być przeprowadzany zgodnie z instrukcją obsługi z użyciem odpowiednich środków czyszczących) elementów ze szkła, plastiku oraz porcelany; odbarwień Urządzenia lub poszczególnych jego części;

usterek powstałych na skutek przechowywania i użytkowania Urządzenia w warunkach, które są niezgodne z normalnymi warunkami domowymi określonymi wymaganiami powszechnie obowiązujących przepisów prawa i odpowiednich Polskich Norm;

V. POZOSTAŁE POSTANOWIENIA.

Niniejsze warunki gwarancji mają zastosowanie do Urządzeń zakupionych od dnia 01.03.2019 r. Gwarant oświadcza, że niniejsza Gwarancja jest udzielana Użytkownikowi dodatkowo i nie wyłącza, nie ogranicza ani nie zawieszają uprawnień Użytkownika wynikających z przepisów o rękojmi za wady rzeczy sprzedanej na podstawie Kodeksu cywilnego.

Моля, първо прочетете ръководството за употреба!

Уважаеми клиенти,

Благодарим Ви, че избрахте този уред на Веко. Надяваме се да получите отлични резултати от нашия уред, произведен от висококачествени материали по най-модерна технология. Затова, преди да преминете към употребата на уреда, Ви молим първо да прочетете цялото ръководство за употреба, както и другата придружителна документация и да ги запазите за справка в бъдеще. Ако уредът смени собственика си в бъдеще, то предайте и ръководството за употреба заедно с уреда. Следвайте указанията, като обръщате внимание на цялата информация и предупреждения в инструкцията за употреба.

Не забравяйте, че това ръководство за употреба може да се отнася за няколко различни модела. Разликите между моделите са описани подробно в ръководството.

Значение на символите

В различните раздели на ръководството са използвани следните символи:



Важна информация и полезни съвети при употреба.



ПРЕДУПРЕЖДЕНИЕ: Предупреждения срещу опасни ситуации относно здравето и собствеността.



ПРЕДУПРЕЖДЕНИЕ: Предупреждение за опасност от пожар.



ПРЕДУПРЕЖДЕНИЕ: Предупреждение за опасност от токов удар.



РЕЦИКЛИРАНА И
РЕЦИКЛЕРУЕМА
ХАРТИЯ

Уредът е произведен в екологични, съвременни фабрики, които не вредят на природата.

1 Важни инструкции за безопасност и опазване на околната среда

1.1 Обща безопасност

Важни инструкции за безопасност Прочетете внимателно и ги запазете за бъдеща справка

Този раздел съдържа инструкции за безопасност, които ще ви помогнат да се защитите от риск от пожар, електрически удар, излагане на утечка от микровълнова енергия; нараняване или повреди на собствеността. Неспазването на инструкциите прави всяка гаранция невалидна.

- Продуктите Веко съответстват на приложимите стандарти за безопасност; ето защо, в случай на повреда по уреда или храняващия кабел, той трябва да бъде ремонтиран или сменен от дилър, сервизен център или специалист и оторизиран сервиз с цел избягване

на всякакви опасности. Погрешен или неквалифициран ремонт може да доведе до опасност и риск за потребителя.

- Уредът е предназначен за битова употреба и подобни приложения като:
 - Кухненски зони за персонала в магазини, офиси и други работни среди;
 - Фермерски къщи
 - От клиенти в хотели и други видове жилищни среди,
 - Места за нощувка със закуска.
- Използвайте уреда само по предназначение, както е описано в това ръководство.
- Производителят не носи отговорност за повреди в резултат на неправилен монтаж или неправилна употреба на продукта.
- Този уред може да бъде използван от деца над

1 Важни инструкции за безопасност и опазване на околната среда

8 години и лица с ограничени физически, сензорни или умствени способности или такива, без необходимия опит и познания, ако същите са надзиравани или инструктирани относно употребата на уреда по безопасен начин и са наясно със свързаните рискове.

- На децата не трябва да се позволява да играят с уреда. Почистването и поддръжката на уреда не трябва да се извършват от деца без надзора на възрастен.
- Минималното разстояние между носещата повърхност за готварските съдове на котлоните и долната част на Вашия продукт трябва да бъде най-малко 65 см.
- Ако инструкциите за монтаж на газовия котлон посочват по-голямо разстояние, това трябва

да бъде взето под внимание.

- Проверете дали данните за вашето местно електрозахранване отговарят на информацията върху табелката с данни.
- Никога не използвайте уреда, ако захранващият кабел или самия уред е повреден.
- За да избегнете риска от повреда на захранващия кабел, внимавайте да не го притискате, огъвате или търкате в остри ръбове. Дръжте захранващия кабел далеч от нагорещени повърхности и открит пламък.
- Използвайте уреда само със заземени контакти.

ПРЕДУПРЕЖДЕНИЕ: Не свързвайте уреда към електрическата мрежа докато монтажът не е напълно приключил.

- Разположете уреда по такъв начин, че щепсе-

1 Важни инструкции за безопасност и опазване на околната среда

- лът винаги да е достъпен.
- Не пипайте лампите ако са работили дълго време. Тъй като са горещи, могат да Ви изгорят ръцете.
- Следвайте наредбите, определени от компетентните органи относно освобождаването на отработения въздух (това предупреждение не се прилага при употреба без вентилационна тръба).
- Работете с Вашия уред след като поставите тенджерата, тиган и т.н. на котлона. В противен случай, топлината може да предизвика деформиране на някои части на Вашия продукт.
- Изключете котлона преди да отстраните тенджерата, тигана и т.н. от него.
- Не оставяйте гореща мазнина на котлона. Тигани с гореща мазнина могат да предизвикат самозапалване.
- Внимавайте с Вашите пердета и покривки, тъй като мазнината може да се възпламени докато приготвяте храна като пържени картофи.
- Филтърът за мазнини трябва да бъде подменян поне веднъж месечно. Филтърът с активен въглен трябва да бъде подменян поне един път на 3 месеца.
- Продуктът трябва да се почиства според инструкциите в ръководството за употреба. Ако почистването не е извършено според инструкциите в ръководството за употреба, може да съществува риск от пожар.
- Не използвайте неогнеупорни филтърни

1 Важни инструкции за безопасност и опазване на околната среда

материали вместо настоящия филтър.

- Използвайте само оригинални части или такива, препоръчани от производителя.
- Не работете с продукта без филтъра и не отстранявайте филтрите, докато продуктът работи.
- В случай на поява на някакъв пламък, прекъснете захранването на Вашия продукт и на другите готварски уреди.
- В случай на поява на някакъв пламък, покрийте пламъка и никога не използвайте вода, за да го загасите.
- Изключвайте уреда преди всяко почистване и когато не го използвате.
- Отрицателното налягане в околната среда не трябва да превишава 4 Па (4 x 10 бара) докато

абсорбаторът за електрически котлон и други уреди работят заедно, захранвани от друг вид енергия, освен електричество.

- В околната среда, където се използва абсорбатора, отработеният въздух от устройства, захранвани с газ или течено гориво, като например стайна печка, трябва да бъде напълно изолиран или устройството да бъде от херметически изолиран вид.
- Когато свързвате към вентилацията, използвайте тръби с диаметър 120 или 150 мм. Тръбната връзка трябва да бъде възможно най-къса и да има възможно най-малък брой чупки.

Има опасност от задушаване! Дръжте опаковъчните материали далеч от достъпа на деца.

1 Важни инструкции за безопасност и опазване на околната среда

ВНИМАНИЕ: Достъпните части могат да се нагорещат ако се използват заедно с уред за готвене.

- Изходът на продукта не трябва да е свързан с въздухопроводи, в които се извежда друг дим.
- Вентилацията в стаята трябва да бъде оскъдна, когато абсорбаторът за електрически котлон се използва едновременно с устройства, работещи на газ или други горива (това би могло да не се прилага за уреди, които само освобождават въздуха обратно в стаята).
- Поставените върху продукта предмети може да паднат. Не поставяйте никакви предмети върху уреда.
- не фламбирайте под Вашия уред.

ПРЕДУПРЕЖДЕНИЕ: Преди да монтирате абсорбатора отстранете за-

щитното фолио.

- Не оставяйте висок пламък да гори под абсорбатора когато е включен
- Съдовете в които се пържи с много мазнина трябва да бъдат постоянно следени при употреба: прегрялото олио може да се възпламени.

1.2 Съответствие с директивата WEEE и Изхвърляне на отпадъчните продукти:

Уредът съответства на европейската директива WEEE. (2012/19/EU). Този продукт притежава класификационен символ за отпадъчно електрическо и електронно оборудване (WEEE).



Този символ указва, че продуктът не бива да се изхвърля с други битови отпадъци в края на експлоатационния си живот. Използваното устройство трябва да бъде върнато в официален пункт за събиране и рециклиране на електрически и електронни устройства. За да откриете тези пунктове за събиране, моля обърнете се към местния орган или търговецът, от който е закупен продуктът. Всяко домакинство играе важна роля във възстановяването и рециклирането на стар уред. Правилното изхвърляне на използвани уреди спомага за предотвратяването на потенциални нега-

1 Важни инструкции за безопасност и опазване на околната среда

тивни последици върху околната среда и човешкото здраве.

1.3 Съответствие с Директива RoHS

Закупеният от вас продукт съответства на европейската директива RoHS (2011/65/EU). Не съдържа вредни и забранени материали. Директива.

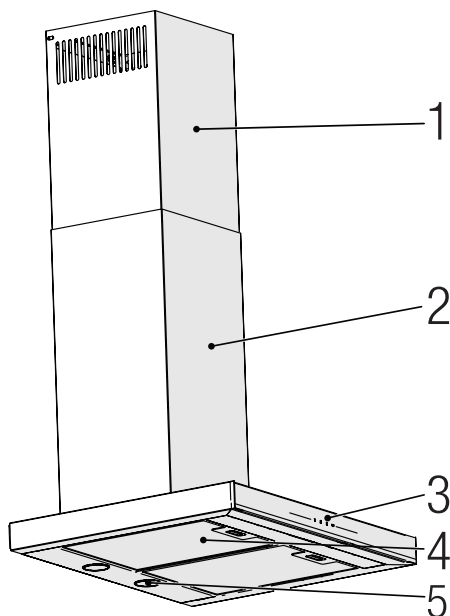
1.4 Информация за опаковката



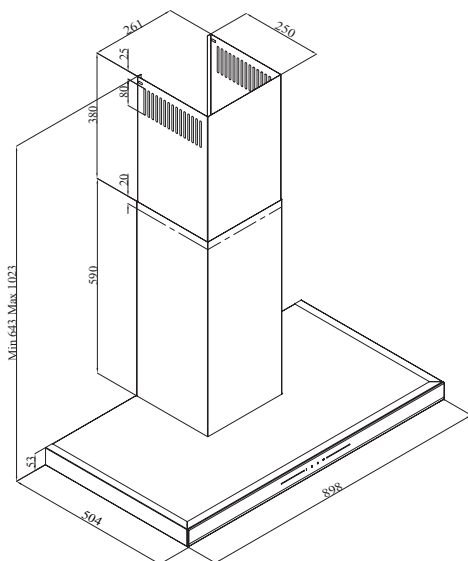
Опаковъчните материали на продукта са, са произведени от рециклируеми материали в съответствие с нашите Национални наредби за околната среда. Не изхвърляйте опаковъчните материали заедно с битовите и други отпадъци. Отнесете ги в пунктове за събиране на опаковъчни материали, посочени от местните власти.

2 Общ външен вид

2.1 Преглед



(Фигура 1)



(Фигура 2)

BHCB 93640 B
BHCB 93640 BH





1. Вътрешна тръба
2. Външен димоотвод
3. Панел за управление
4. Контролен Монтаж
5. Осветление за готвене

2.2 Технически данни

Модел	BHCB 93640 B	BHCB 93640 BH
Захранващо напрежение	220-240V ~ 50 Hz	
Мощност на лампата	2 x 3 W	
Мощност на двигателя	210 W	
Дебит – 3. Ниво	645 m ³ /h	
Клас на изолация на електродвигателя	Клас F	
Клас на изолация	Клас I	

3 Функциониране на Уреда

3.1 Управление на Уреда

КЛЮЧ	ФУНКЦИЯ
 A	1
 B	2
 C	3
 D	
КЛЮЧ	ФУНКЦИЯ
A : Светлина Вкл. / Изкл.	Можете да осветите зоната за готвене, като натиснете този бутон. - Натиснете този бутон отново, за да включите и изключите лампата.
B : 1. По етапен Бутон	Работи с уреда на 1-ва скорост. Когато натиснете отново този бутон, за да изключите уреда, етапът на скоростта на екрана се изключва.
C : 2. По етапен Бутон	Работи с уреда на 2-ра скорост. Когато натиснете отново този бутон, за да изключите уреда, етапът на скоростта на екрана се изключва.
D : Бутон 3-ти Етап	Работи с уреда на 3-та скорост. Когато натиснете отново този бутон, за да изключите уреда, етапът на скоростта на екрана се изключва.

3.2 Енергоефективна Работа в Условието на Икономия Употреба

- Когато използвате вашия уред, регулирайте настройките на скоростта според силата на изпарения и миризма, за да спестите енергия.
- Използвайте ниски скорости (1-2) при нормални условия и високи ско-

рости (3) за интензивна миризма и пара.

- Лампите на аспиратора са поставени за осветяване на зоната за готвене.
- Използването им за осветление на околната среда ще доведе до ненужни разходи на енергия и недостатъчно осветление.

3.3 Инструкции за експлоатация

- Вашият уред съдържа мотор с различни скорости.
- За по-добри показатели препоръчваме да използвате ниски скорости при нормални условия и високи скорости в случаи на силни миризми и интензивни пари.
- Можете да стартирате вашия уред, като натиснете бутона за настройка на желаната скорост. (B, C, D)
- Можете да осветите зоната за готвене, като натиснете лампата (A)

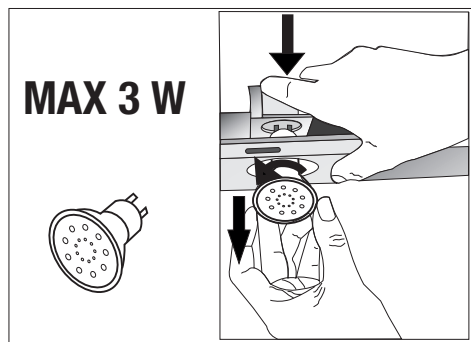
3.4 Автоматично Спиране

Вашият уред има функция за Автоматично Спиране, позволяваща му да се проветрява за малко по-дълго време и премахва нежеланите миризми и пари вътре в околната среда и автоматично се изключва след приключване на готвенето. За да активирате функцията за Автоматично Спиране, натиснете произволен бутон за степен на скорост (B, C, D) на контролния панел за повече от 2 секунди; 15-минутната функция на таймера ще се активира. Когато функцията за автоматично спиране е активна, натискането на същия бутон за скорост изключва функцията за автоматично

3 Функциониране на Уреда

спиране и двигателят на уреда ще спре. Тази функция се деактивира, когато превключвате между различни етапи на скоростта. Ако искате уреда да спре автоматично, трябва да активирате функцията за автоматично спиране отново.

3.5 Подмяна на Лампата



(Фигура 3)

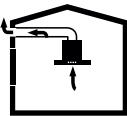
Направете електрическите връзки на уреда. Вашият уред използва 3W точкова LED лампа. За да смените халогенните лампи, натиснете надолу държача на лампата отзад, завъртете го малко по посока обратна на часовниковата стрелка и го извадете надолу. Приложете горната процес в обратен ред, за да инсталирате нови лампи (Фигура 3).

Крушка	
Мощност на Крушката	3 W
Държач / Фасунга	GZ 10
Напрежение на Крушката	220 - 240 V

Размер	53 x 50 mm
ILCOS Код	DR/F3-220-240-GZ10-50-53
Светлинен поток	260 lm
Корелирана цветна температура	3000 K

Този продукт съдържа източник на светлина с клас на енергийна ефективност "F".

3.6 Управление чрез Димоотводна Връзка

-  Парата се извлича през димоотвода, който се закрепва към свързващата глава на аспиратора.
- Диаметърът на димоотвода трябва да е същият като свързващото ядро. При хоризонтални настройки тръбата трябва да има лек наклон нагоре (около 10 °), така че въздухът да излиза лесно от помещението.

3.7 Управление без Димоотводна Връзка

-  Въздухът се филтрира през въглеродния филтър и се рециркулира в помещението. Въглеродният филтър се използва, когато е невъзможно да се използва димоотвод в къщата.
- При употреба без димоотвод извадете капаците от димоотводния адаптер.

3 Функциониране на Уреда

- Извадете масления филтър. За да инсталирате въглеродния филтър, поставете филтъра върху разделите, като го центрирате върху пластмасовото парче от двете страни на тялото на вентилатора, затегнете го, като завъртите надясно или наляво.
- Сменете алуминиевия маслен филтър.

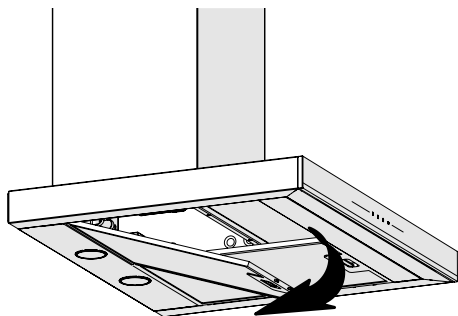
4 Почистване и поддръжка



Преди почистване и поддръжка изключете продукта от контакта или го изключете от копчето.

4.1 Почистване на Алуминиеви Маслени Филтри

Алуминиевият маслен филтър се използва за задържане на маслените частици във въздуха. Алуминиевите филтри могат да променят цвета си след многократно почистване. Това е нормално и не е нужно да сменяте филтрите си.



(Фигура 4)

- Избутайте ключалката на алуминиевия филтър напред.
- След това го издърпайте леко надолу и го издърпайте (Фигура 4). В противен случай можете да огънете филтъра. Измийте и изплакнете алуминиевите маслени филтри с течен препарат и заменете алуминиевите маслени филтри в техните гнезда, като извършите посочените по-горе стъпки в обратен ред. Тези алуминиеви маслени филтри се използват за задържане на маслените частици във въздуха.

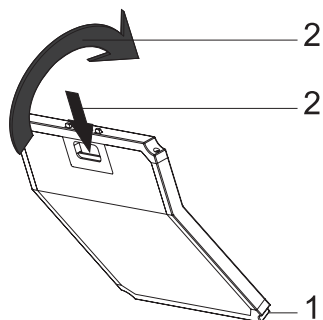


Можете също да измивате алуминиевите маслени филтри в пералнята.



ВНИМАНИЕ: В случай на нормална употреба, почиствайте алуминиевите маслени филтри веднъж месечно.

4.2 Подмяна на Въглеродни Филтри



(Фигура 5)

- Купуваният от вас уред е подходящ за използване с въглеродни филтри.
- Извадете алуминиевите маслени филтри (Фигура 4).
- Поставете долната част на въглеродния филтър в шкафа на двигателя (Фигура 5).
- Натиснете ушенцето на въглеродния филтър и го бутнете напред, уверете се, че ушенцата на въглеродния филтър са се фиксирали и блокирали. (Фигура 5).
- Поставете алуминиевите маслени филтри.

4 Почистване и поддръжка



ВНИМАНИЕ

- Карбоновият филтър никога не трябва да се мие.
- Сменяйте въглеродните филтри веднъж на всеки 3 месеца.
- Можете да закупите въглеродния филтър от оторизирани търговци.

5 Монтиране на Уреда



ВНИМАНИЕ: Преди да започнете монтажа, прочетете информацията за безопасност в Ръководството за потребителя.

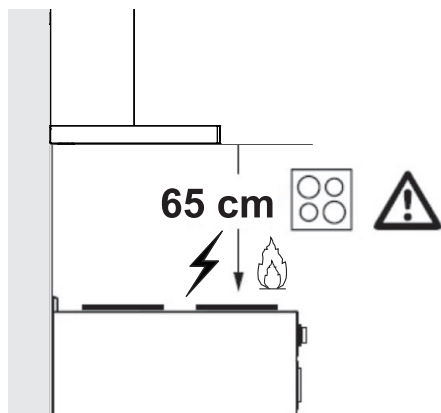


ВНИМАНИЕ: Ако не извършите монтажа с винтове и стабилизатори в съответствие с тези инструкции, това може да доведе до токов удар.

За монтажа на аспиратора се свържете с най-близкия оторизиран сервиз.

Отговорност на клиента е да подготви местоположението и електрическата инсталация на аспиратора.

5.1 Положение на Уреда

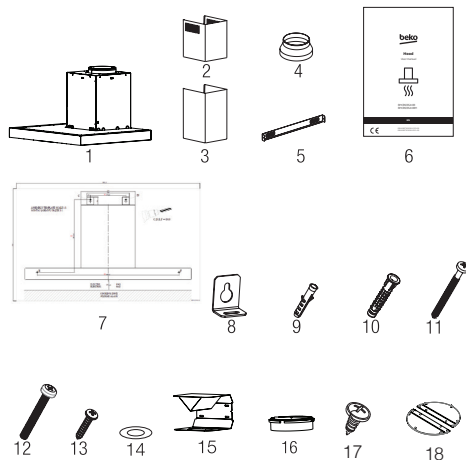


(Фигура 6)

- Преди монтажа трябва да се вземе предвид разстоянието между печката и аспиратора. Това разстояние трябва да бъде 65 см (Фигура 6).
- При газови печки, разстоянието трябва да бъде измерено от повърхността на решетката,

- И от повърхността на стъклото за електрически печки.

5.2 Монтажни Аксесоари



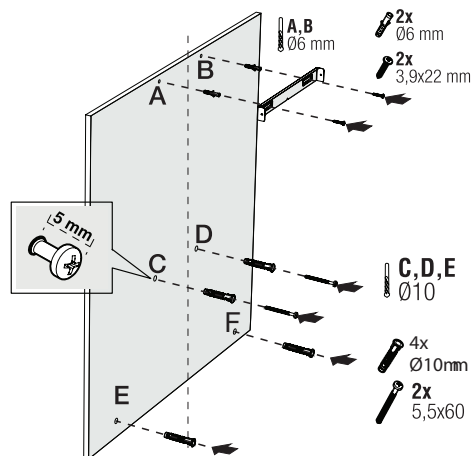
1. Продукт
2. Вътрешна тръба
3. Външен димоотвод
4. Ø150/120mm Адаптер за Димоотвод
5. Свързваща планка за тръбата
6. Ръководство на потребителя
7. Тип на сглобката
8. 2x Окачващи Плочи
9. 2x Ø6 мм Пластмасов Дюбел
10. 4x Ø10 мм Пластмасов Дюбел
11. 4x 5,5x60 Винт за Стенен Монтаж
12. 2x M5x35 Винт за Свързване на Плочата
13. 2x 3,9x22 винт за свързващата планка на тръбата
14. 2x M4 Шайба
15. Въздушна преграда
16. Пластмасов Адаптер (Въздушен Превключвател)
17. 2x 3.5x9.5 Винт за за свързващата табела към комина
18. Скоба за комин

5 Монтиране на Уреда

Информацията, необходима, за да се направи местоположението подходящо за монтиране на аспиратора, е дадена по-долу.

5.3 Монтаж на стена

- Стената трябва да е равна, права и да има достатъчна носеща способност.
- Дълбочината на пробитите отвори трябва да съответства на дължината на болтовете.
- Предоставените болтове и дюбели са подходящи за тухлени стени. За други строителни материали (напр. Гипсокартон, плоча, порест бетон) трябва да се използват подходящи фиксиращи дюбели и гайки.



(Фигура 7)



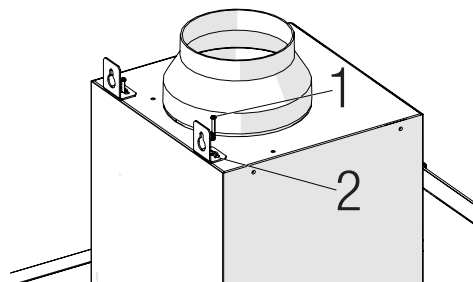
ВНИМАНИЕ: Преди пробиване се уверете, че няма токови, газови или водопроводни тръби в непосредствена близост до местата на пробиване.

Начертайте линия на средно местоположение от тавана перпендикулярно на долния ръб на аспиратора.

Фиксирайте схемата за монтаж на стената. За точки А и В вземете за ориентир максималните размери на аспиратора, а точките за пробиване А и В, които сте маркирали с бормашина на Ø6 мм, и поставете Ø6мм пластмасови тапи за стена. Закрепете димоотводната плоча към стената с 2 винта 3,9x22 (Фигура 8).

За да закрепите корпуса на аспиратора, пробийте точките С, D, E, F зададени в шаблона за монтаж, с бормашина Ø10 мм и поставете пластмасови дюбели Ø10 мм в тези точки (Фигура 8).

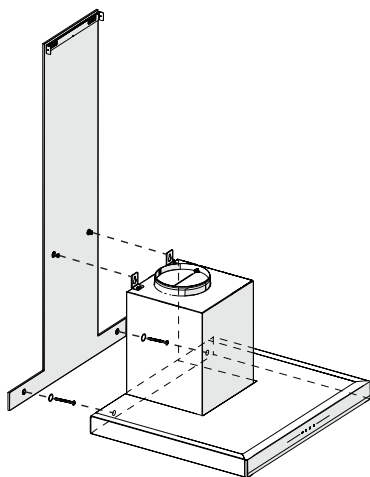
Закрепете 2 части от 5.5x60 винт за окачване към точки С и D с хлябина 5 мм между главата на винта и стената (Фигура 8).



(Фигура 8)

Монтирайте две части висящи плочи към тялото на аспиратора с монтажни винтове M5x35 (Фигура 8).

5 Монтиране на Уреда



(Фигура 9)

Задръжте аспиратора и го поставете върху монтажните винтове на стената и затегнете винтовете (Фигура 9).

Монтирайте шайби М4 на винтовете за окачване 5.5x60. Закрепете аспиратора с винт 5.5x60 към стената през монтажния отвор от вътрешната страна на уреда (Фигура 9).

5.4 Свързване към Димоотвода

Ако използвате пластмасовия адаптер за димоотвод \varnothing 120/150 мм, свържете единия край на тръбата към този адаптер, ако няма да го използвате, към директния изход на продукта. Свържете другия край на тръбата към вашия димоотвод. Проверете дали тези две връзки са достатъчно стегнати, за да не излязат, когато уредът работи с пълна мощност. Проверете дали клапите в димоотвода работят, когато са затегнати

със скоби. Свържете димоотводния канал извън адаптера (Фигура 11/a).

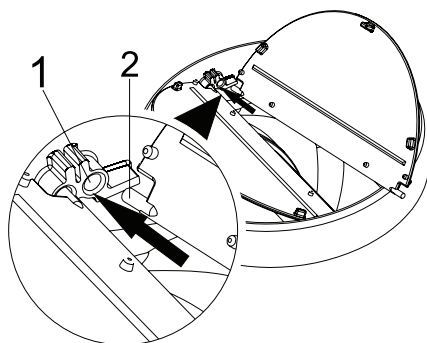
Ако свързващият канал е монтиран вътре в адаптера, не трябва да се изсмуква въздух, тъй като димоотводът, който предотвратява връщането на въздуха, ще остане затворен (Фигура 11/b). Дължината на тръбната връзка, както и броят на тръбите трябва да бъде възможно най-малък.

А : Димоотводна изходна тръба

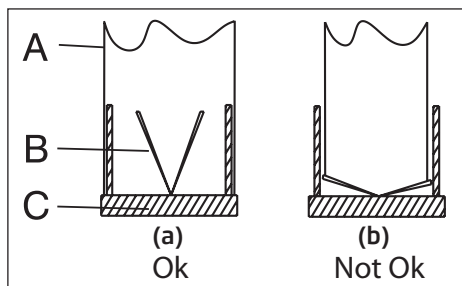
В : Възвратни клапи

С: Пластмасов Димоотвод

Вентилите са затворени, тогава уредът не работи и предотвратява навлизането на външна миризма и прах.



(Фигура 10)



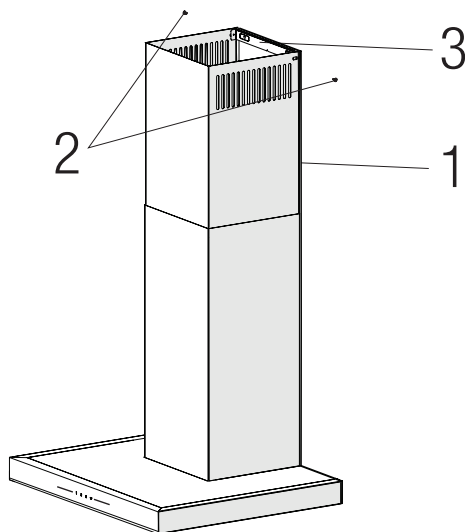
(Фигура 11)

5 Монтиране на Уреда

5.5 Монтаж на Аспиратора към Димоотвода

Направете електрическата връзка на аспиратора, преди да започнете инсталирането на димоотвода. Плъзнете димоотводните плочи около тялото.

Инсталирайте димоотвода към табелата за закрепване на димоотвода, която е закрепена към стената от горните й външни ръбове (Фигура 12).



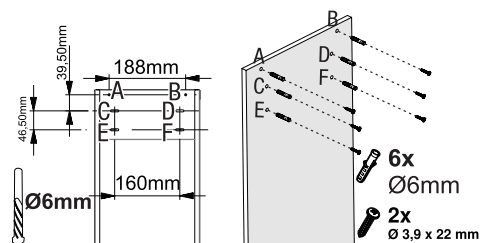
(Фигура 7)

1. Вътрешна тръба
2. 3.5x9.5 Винт
3. Свързваща планка за тръбата

5.6 Монтаж на Въздушна Преграда (ВНСВ 93640 ВН)

Докато използвате с въглеродния филтър, с вашия уред се осигурява въздушна преграда с цел да освободите въздуха, който се почиства

с въглероден филтър от перфорирания, разположен на димоотвода. Сглобете въздушната преграда както е показано по-долу.



(Фигура 13)

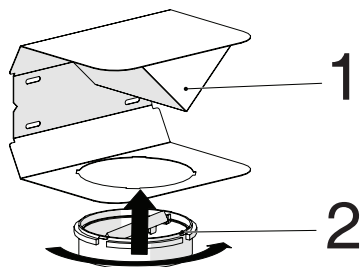
В средата на плочата за димоотвода има разделител. Поставете средната точка на този раздел върху линията, която е начертана перпендикулярно на стената. Подравнете хоризонтално и маркирайте отворите с химикалка, където ще бъде монтирана свързващата плоча (Фигура 13/А, В).

Пробийте маркираните точки с бор-машината Ø6 мм и вмъкнете две Ø6 мм пластмасови дюбели в пробитите отвори (Фигура 13/А, В).

Закрепете димоотводната плоча към стената с винтове 3.9x22 (Фигура 13/А, В).

За монтажа на въздушната преграда, пробийте точки С, D, Е, F със свредло Ø6 мм и поставете пластмасовите дюбели Ø6 мм (Фигура 13).

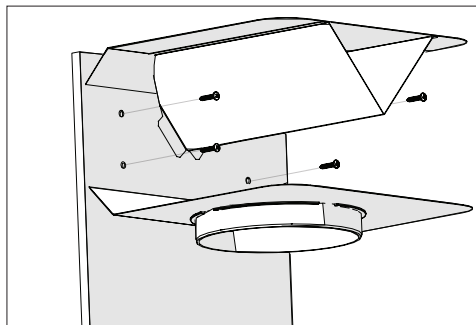
5 Монтиране на Уреда



(Фигура 14)

1. Въздушна преграда
2. Пластмасов димоотвод

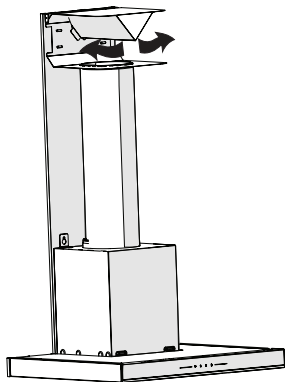
Прикрепете пластмасовия адаптер за димоотвода, който е включен в пакета, по посока на въздушната преграда. Закрепете димоотводния адаптер, като го завъртите в посоката на стрелката (Фигура 14).



(Фигура 15)

Сглобете групата на въздушната преграда с 3,9 x 22 винта от точки C, D, E, F, които вече сте подготвили (Фигура 8).

Сглобете тялото на аспиратора (Фигура 7).



(Фигура 16)

1. Алуминиева Тръба за Изпускане на Въздух

Сглобете тръбата за изпускане на въздух (Фигура 16).



Тъй като усукването и огъването в алуминиевата тръба ще доведе до намаляване на всмукателната мощност, избягвайте усукването и огъването, доколкото е възможно.

Поставете димоотводите на аспиратора (Фигура 12)

6 Отстраняване на неизправности

Отстраняване на неизправности	Първопричина	Помощ
Уредът не работи.	Проверете предпазителите си.	Възможно е предпазителят да бъде раздут, прегледайте и го възстановете.
Уредът не работи.	Проверете електрическата връзка.	Главното напрежение трябва да бъде между 220 и 240 V.
Уредът не работи.	Проверете електрическата връзка.	Проверете дали работи друг уред във вашата кухня.
Осветлението не работи.	Проверете електрическата връзка.	Главното напрежение трябва да бъде между 220 и 240 V.
Осветлението не работи.	Проверете превключвателя на лампата.	Ключът на лампата трябва да е в позиция "on" (вкл.).
Осветлението не работи.	Проверете лампите.	Лампите на уреда трябва да светят.
Входът на въздуха на уреда е недостатъчен.	Проверете алуминиевия филтър.	При нормални работни условия алуминиевият маслен филтър се почиства поне веднъж месечно.
Входът на въздуха на уреда е недостатъчен.	Проверете въздуха към димоотвода.	Димоотводът трябва да бъде във "включено" положение.
Входът на въздуха на уреда е недостатъчен.	Проверете въглеродния филтър.	При продукти, които работят с въглеродни филтри, въглеродният филтър трябва да се подменя веднъж на всеки 3 месеца при нормални условия на работа.

Prvo pročitajte ovaj korisnički priručnik!

Poštovani cijenjeni kupci,

Zahvaljujemo vam što ste odabrali ovaj proizvod kompanije Beko. Nadamo se da ćete na najbolji mogući način iskoristiti svoj uređaj koji je napravljen s visokim kvalitetom i vrhunskom tehnologijom. Iz tog razloga, pročitajte ovaj kompletan korisnički priručnik i sve druge prateće dokumente pažljivo prije korišćenja proizvoda i sačuvajte ih za buduću upotrebu. Ako ovaj uređaj predate trećem licu, priložite i ovaj korisnički priručnik. Pratite upute obraćajući pažnju na sve informacije i upozorenja navedena u korisničkom priručniku.

Imajte na umu da je ovaj korisnički priručnik primjenljiv i za druge modele. Razlike između modela izričito su opisane u priručniku.

Značenje simbola

Sljedeći simboli se koriste u raznim odjeljcima ovog korisničkog priručnika:



Važne informacije i korisni savjeti u vezi s upotrebom.



UPOZORENJE: Upozorenja na opasne situacije koje se odnose na sigurnost života i imovine.



UPOZORENJE: Upozorenje na opasnost od požara.



UPOZORENJE: Upozorenje na strujni udar.



Ovaj uređaj je proizveden u ekološkim modernim postrojenjima bez štetnog uticaja na prirodu.

1 Važne upute u vezi sa sigurnošću i zaštitom životne sredine

1.1 Opšta sigurnost

Važne upute u vezi sa sigurnošću pažljivo pročitajte i i sačuvajte ih za buduću upotrebu. Ovaj odjeljak sadrži upute u vezi sa sigurnošću koje će vam pomoći u zaštiti od opasnosti od požara, strujnog udara, izloženosti curenju mikro-talasne energije, ličnih povreda ili oštećenja imovine. Nepoštovanje ovih uputa poništava odobrenu garanciju.

- Beko proizvodi su u skladu s važećim sigurnosnim standardima; prema tome, u slučaju bilo kakvih oštećenja na uređaju ili kابلu za napajanje, iste treba da popravi ili zamijeni prodavač, servisni centar ili stručno lice i ovlašćeni servis kako bi se izbjegla bilo kakva opasnost. Neispravni ili nekvalifikovani radovi na popravci mogu biti opasni i mogu dovesti do opasnosti po korisnika.
- Ovaj uređaj je namijenjen za upotrebu u domaćinstvima i sličnim objektima kao što su:
 - prostori kuhinje za zaposlenike u trgovinama, uredima i drugim radnim okruženjima;
 - kuće na farmama,
 - seoske kuće i za goste u hotelima, motelima i drugim objektima za smještaj;
 - objekti koji nude prenoćište i doručak,
- Upravlajte uređajem prema predviđenoj namjeni samo kako je opisano u ovom priručniku.
- Proizvođač ne može biti odgovoran za štetu nastalu nepropisnom ugradnjom ili zloupotrebom proizvoda.
- Ovaj uređaj mogu koristiti djeca od 8 godina i starija, i osobe sa ograničenim fizičkim, čulnim ili mentalnim sposobnostima, osobe koje nemaju dovoljno znanja ili iskustva ako su pod nadzorom ili su im date upute koje se tiču upotrebe uređaja na siguran način i opasnosti koje uređaj uključuje.
- Djeca se ne smiju igrati s uređajem. Čišćenje i održavanje od strane korisnika ne smiju obav-

1 Važne upute u vezi sa sigurnošću i zaštitom životne sredine

ljati djeca ukoliko nisu pod nadzorom.

- Minimalna udaljenost između noseće površine posuda za kuvanje na ploči za kuvanje i najnižeg dijela vašeg proizvoda mora biti najmanje 65 cm.
- Ako je uputama za ugradnju plinske ploče definisana veća udaljenost, to se mora uzeti u obzir.
- Vaše mrežno napajanje strujom mora biti u skladu sa informacijama na pločici na uređaju.
- Nikada ne koristite uređaj ako je kabl za napajanje ili sam uređaj oštećen.
- Spriječite oštećenje kabla za napajanje tako što ga nećete stiskati, savijati ili trljati po ostrim ivicama. Držite kabl za napajanje dalje od vrućih površina i izvora plamena.
- Uređaj koristite samo sa uzemljenom utičnicom.

UPOZORENJE: Ne priključujte uređaj na napajanje prije potpune ugradnje uređaja.

- Postavite uređaj na način da utičač bude uvijek dostupan.
- Ne dirajte lampe ako su dugo radile. Mogu vam stvoriti opekotine na rukama jer će biti zagrijane.
- Pridržavajte se propisa koji su utvrdili nadležni organi o ispuštu izduvnog vazduha (ovo upozorenje nije primjenljivo na uporabu bez dimnih gasova).
- Uključite uređaj nakon što stavite lonac, tavu itd. na ploču za kuvanje. U suprotnom, velika toplota može prouzrokovati deformacije u nekim djelovima vašeg proizvoda.
- Isključite ploču prije nego što sa nje sklonite lonac, tavu itd.
- Ne ostavljajte vruće ulje na ploči za kuvanje. Posude sa vrućim uljem mogu izazvati samo-sagorijevanje.
- Obratite pažnju na zavjese i prekrivače, jer se ulje može zapaliti dok spremate hranu kao što je pomfrit.
- Filter za masnoće treba zamijeniti najmanje jednom mjesečno.

1 Važne upute u vezi sa sigurnošću i zaštitom životne sredine

Karbonski filter se mora zamijeniti najmanje jednom u svaka 3 mjeseca.

- Proizvod se čisti u skladu sa korisničkim priručnikom. Ako čišćenje nije izvršeno u skladu s korisničkim priručnikom, može doći do opasnosti od požara.
- Ne koristite materijale za filtriranje koji nisu otporni na vatru umjesto trenutnog filtera.
- Koristite samo originalne djelove ili djelove koje je preporučio proizvođač.
- Ne koristite proizvod bez filtera i ne uklanjajte filtere dok je proizvod u funkciji.
- U slučaju pojave plamena, isključite vaš proizvod i uređaje za kuvanje sa napajanja električnom energijom.
- U slučaju pojave plamena, prekriti plamen i nikada ne koristite vodu za gašenje.
- Isključite uređaj sa napajanja prije svakog čišćenja i kada uređaj ne koristite.
- Negativni pritisak u okolini ne bi trebalo da pređe 4 Pa (4 x 10

bara) dok istovremeno rade aspirator za električnu ploču i uređaji koji rade na drugoj vrsti energije osim struje.

- U okruženju u kojem se koristi uređaj, ispustni otvor uređaja koji rade na lož-gorivo ili plin, kao što su sobni grijači, mora biti apsolutno izolovan ili uređaj treba da bude hermetičnog tipa.
- Pri povezivanju odvodne cijevi koristite cijevi prečnika 120 ili 150 mm. Priključak cijevi mora biti što kraći i imati što je moguće manje prelamanja.

Opasnost od gušenja! Sve materijale za pakiranje držite dalje od djece.

OPREZ: Pristupačni djelovi se mogu zagrijati kada se koriste sa uređajima za kuvanje.

- Izlazni otvor proizvoda ne smije biti povezan sa vazдушnim kanalima koji sprovode drugu vrstu dima.
- Ventilacija u prostoriji može biti nedovoljna kada se aspirator za električnu ploču koristi istovremeno sa uređajima koji rade na

1 Važne upute u vezi sa sigurnošću i zaštitom životne sredine

plin ili druga goriva (ovo možda nije primjenljivo na uređaje koji samo dovode vazduh u prostoriju).

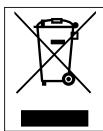
- Predmeti stavljeni na proizvod mogu pasti. Ne stavljajte nikakve predmete na proizvod.
- Ne flambirajte hranu ispod proizvoda.

UPOZORENJE: Prije ugradnje aspiratora uklonite zaštitne folije.

- Nikada ne ostavljajte visoko otvoren plamen ispod aspiratora dok je isti u funkciji.
- Friteze sa dubokim uljem moraju se neprestano nadgledati tokom upotrebe: pregrijano ulje može da plane.

1.2 Usklađenost s direktivom WEEE i Odlaganjem otpadnog proizvoda:

Ovaj proizvod je usklađen s Direktivom EU WEEE (2012/19/EU). Ovaj proizvod nosi simbol klasifikacije za odlaganje električne i elektronske opreme (WEEE).



Ovaj simbol označava da ovaj proizvod ne treba odlagati sa ostalim otpadom iz domaćinstva na kraju vijeka upotrebe. Korišćeni uređaj mora se vratiti u službeno zbirno mjesto za recikliranje električnih i elektronskih uređaja.

Da biste pronašli ove sisteme za prikupljanje, obratite se

lokalnim nadležnim organima ili prodavcu kod kojeg je proizvod kupljen. Svako domaćinstvo ima važnu ulogu u obnovi i recikliranju starih uređaja. Odgovarajuće odlaganje korišćenog aparata pomaže u sprječavanju potencijalnih negativnih posljedica po životnu sredinu i zdravlje ljudi.

1.3 Usklađenost sa RoHS direktivom:

Proizvod koji ste kupili je usklađen s Direktivom EU RoHS (2011/65/EU). On ne sadrži štetne i zabranjene materijale navedene u Direktivi.

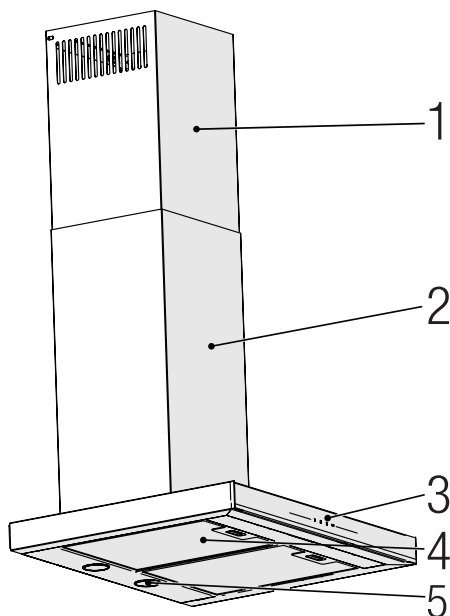
1.4 Informacija o ambalaži



Ambalaža proizvoda je proizvedena od sekundarnih sirovina u skladu s našim nacionalnim propisima za zaštitu okoliša. Ne bacajte ambalažu zajedno s otpadom iz domaćinstva ili drugim otpadom. Onesite je do sabirnih centara za ambalažu koje su odredili lokalni nadležni organi.

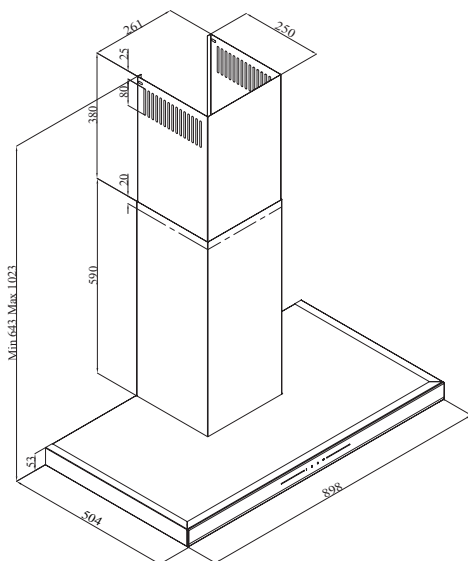
2 Opšti izgled

2.1 Prikaz



(Slika 1)

1. Unutarnji dimnjak
2. Vanjski dimnjak
3. Kontrolna tabla
4. Aluminijski filtri za masnoću
5. Osvjetljenje štednjaka



(Slika 2)









BHCB 93640 B
BHCB 93640 BH

2.2 Tehnički podaci

Model	BHCB 93640 B	BHCB 93640 BH
Napon napajanja	220-240V ~ 50 Hz	
Snaga lampice	2x3 W	
Snaga motora	210 W	
Brzina protoka – 3. Nivo	645 m ³ /h	
Klasa izolacije motora	Klasa F	
Klasa izolacije	Klasa I	

3 Rukovanje uređajem

3.1 Kontrola uređaja

 	 	 	 
TIPKA	FUNKCIJA		
A : Uključeno/Isključeno svijetlo	Možete osvjetliti površinu za kuvanje pritiskom na ovo dugme. Ponovo pritisnite dugme da biste isključili lampicu.		
B : 1. Dugme za stepen	Upravlja uređajem u 1. brzini. Kad ponovo pritisnete ovo dugme za isključivanje uređaja, isključuje se stepen brzine na ekranu.		
C : 2. Dugme za stepen	Upravlja uređajem u 2. brzini. Kad ponovo pritisnete ovo dugme za isključivanje uređaja, isključuje se stepen brzine na ekranu.		
D : 3. Dugme za stepen	Upravlja uređajem u 3. brzini. Kad ponovo pritisnete ovo dugme za isključivanje uređaja, isključuje se stepen brzine na ekranu.		

3.2 Energetski efikasan rad sa uštedom energije

- Kad koristite uređaj prilagodite brzinu intenzitetu pare i mirisa da biste uštedjeli energiju.
- Koristite niske brzine (1-2) u normalnim uvjetima, a velike brzine (3) za intenzivan miris i isparavanje.
- Lampice na napi su postavljene za osvjetljavanje područja kuhanja.
- Njihova upotreba za osvjetljenje okoliša uzrokovat će nepotrebne troškove energije i nedovoljno osvjetljenje.

3.3 Rad nape

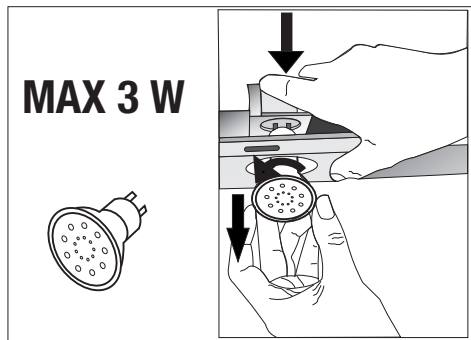
- Vaš uređaj ima motor s različitim brzinama.
- Za bolje performanse preporučujemo upotrebu niskih brzina u normalnim uvjetima i velike brzine u slučaju jakih mirisa i intenzivne pare.
- Uređaj možete pokrenuti pritiskom na dugme za podešavanje željene brzine. (B,C,D)
- Područje za kuhanje možete osvjetliti pritiskom na lampicu. (A)

3.4 Automatsko zaustavljanje

Vaš uređaj ima funkciju automatskog zaustavljanja, što mu omogućava da se ventilira još malo i ukloni neželjene mirise i paru iz okoline i automatski se isključi nakon završetka kuhanja. Da biste omogućili funkciju automatskog zaustavljanja, pritisnite dugme za bilo koji stepen brzine (B, C, D) na upravljačkoj ploči duže od 2 sekunde; aktivira se značajka 15-minutnog mjerača vremena. Kada je aktivna funkcija automatskog zaustavljanja, pritiskom na dugme za istu brzinu onemogućit će se funkcija automatskog zaustavljanja i motor uređaja će se zaustaviti. Ova se značajka onemogućava kad prebacate između različitih stupnjeva brzine. Ako želite da se uređaj automatski zaustavi, morate ponovno omogućiti značajku automatskog zaustavljanja.


3 Rukovanje uređajem

3.5 Zamjena lampice



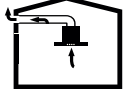
(Slika 3)

Priključite uređaj na električnu mrežu. Vaš uređaj koristi direktne LED lampice od 3W. Za zamjenu lampica gurnite držač sa stražnje strane odozdo prema dolje, okrenite ga u smjeru suprotnom od kazaljke na satu i izvadite ga prema dolje. Primijenite navedenu operaciju obrnutim postupkom da biste ugradili nove lampice (Slika 3).

Sijalica	
Snaga sijalice	3 W
Držač/utičnica	GZ 10
Napon sijalice	220 - 240 V
Veličina	53x50 mm
ILCOS kod	DR/F3-220-240-GZ10-50-53
Svjetlosni tok	260 lm
Odgovarajuća temperatura boje	3000 K

Ovaj proizvod sadrži izvor svjetla klase energetske efikasnosti "F".

3.6 Rad s priključkom na dimnjak

-  Para se odvodi kroz kanal dimnjaka, koji je pričvršćen na priključnu glavu na napi.
- Promjer kanala dimnjaka mora biti isti kao i priključni prsten. U horizontalnim postavkama cijev mora imati blagi nagib prema gore (oko 10°) da bi zrak mogao lako izaći iz prostorije.

3.7 Rad bez priključka na dimnjak

-  Zrak se filtrira kroz karbonski filter i recirkulira unutar prostorije. Karbonski filter koristi se kada nije moguće koristiti dimnjak u kući.
- U slučaju upotrebe bez dimnjaka, uklonite klapne iz adaptera za dimnjak.
- Uklonite Filter za masnoću. Da biste ugradili karbonski filter, filter namjestite na jezičke tako što ćete ga centrirati na plastični komad s obje strane kućišta ventilatora. Zategnite ga okretanjem udesno ili ulijevo.
- Zamijenite Filter za masnoću.

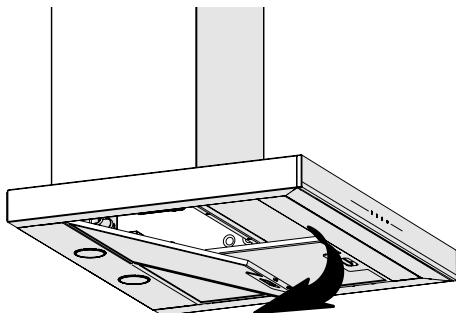
4 Čišćenje i održavanje



Prije čišćenja i održavanja, isključite proizvod s napajanja ili isključite prekidač.

4.1 Čišćenje filtera za masnoću

Aluminijski filter za masnoću koristi se za zadržavanje čestica masnoće u zraku. Aluminijski filteri mogu promijeniti boju nakon ponovljenog čišćenja. To je normalno, i ne morate da zamijenite vaše filtere.



(Slika 4)

- Gurnite bravu aluminijskog filtera za masnoću prema naprijed.
- Zatim je lagano povucite prema dolje i izvucite je (Slika 4). U suprotnom možete saviti filter. Operite i isperite aluminijske filtere za masnoću tečnim deterdžentom i vratite aluminijske filtere za masnoću na njihova mjesta izvođeći gore navedene korake obrnutim redoslijedom. Ovaj filter sakuplja čestice masnoće u vazduhu.

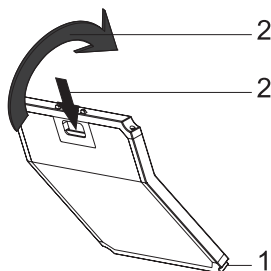


Filter za masnoću možete prati u mašini za pranje suđa.



OPREZ: U slučaju normalne upotrebe, očistite filter jednom mjesečno.

4.2 Zamjena karbonskih filtera



(Slika 5)

- Uređaj koji ste kupili pogodan je za upotrebu s karbonskim filterima.
- Uklonite aluminijske filtere za masnoću (Slika 4).
- Stavite donji dio karbonskog filtera u kućište motora (Slika 5).
- Pritisnite jezičak karbonskog filtera i gurnite ga prema naprijed pri tom vodeći računa da jezičci karbonskog filtera budu umetnuti i zakačeni. (Slika 5).
- Pričvrstite aluminijske filtere za masnoću.

OPREZ



- Karbonski filter nikada se ne pere.
- Zamijenite karbonske filtere jednom svaka 3 mjeseca.
- Karbonski filter možete nabaviti od ovlaštenih servisa.

5 Ugradnja uređaja



UPOZORENJE: Prije započinjanja ugradnje pročitajte sigurnosne informacije u korisničkom priručniku.

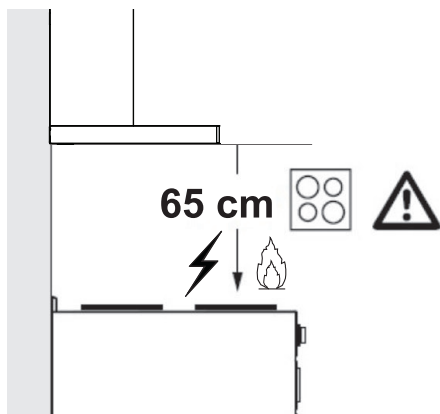


UPOZORENJE: Ako ugradnju ne izvršite s vijcima i uređajima za pričvršćivanje u skladu s ovim uputama, može doći do opasnosti od električnog udara.

Za ugradnju nape obratite se najbližem ovlaštenom servisu.

Korisnik je odgovoran da pripremi lokaciju i električnu instalaciju za napu.

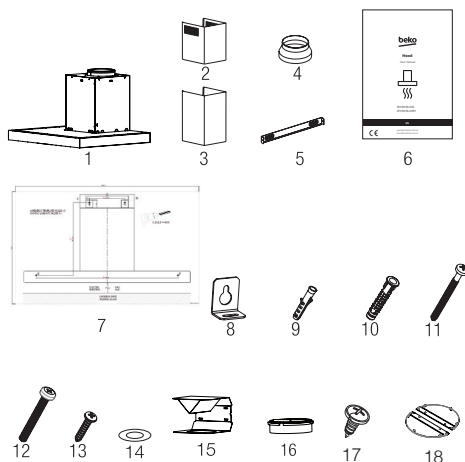
5.1 Položaj uređaja



(Slika 6)

- Prije montiranja mora se uzeti u obzir udaljenost između šporeta i nape. Ta udaljenost treba biti 65 cm (Slika 6).
- Udaljenost se mora mjeriti od površine rešetke za plinske šporete,
- od površine stakla za električne šporete.

5.2 Pribor za ugradnju



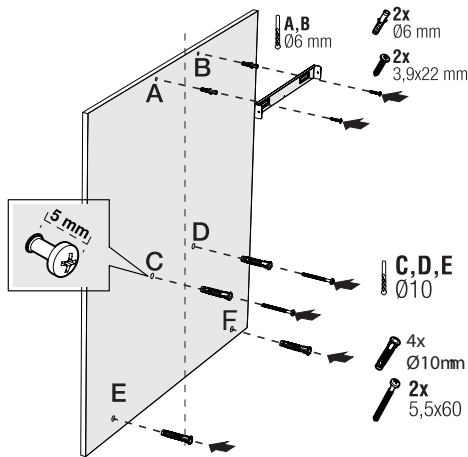
1. Proizvod
2. Unutarnji dimnjak
3. Vanjski dimnjak
4. Ø150/120mm adapter za dimnjak
5. Ploča za priključak na dimnjak
6. Uputstvo za upotrebu
7. Obrazac montaže
8. 2x viseće ploče
9. 2x Ø6mm plastični klip
10. 4x Ø10mm plastični klip
11. 4x 5,5x60 vijak za zidnu montažu
12. 2x M5x35 vijak za pričvršćivanje viseće ploče
13. 2x 3,9x22 vijak za ploču za priključak na dimnjak
14. 2x podloške M4
15. Zračna pregrada
16. Plastični adapter (diverter zraka)
17. 2x vijak pločice za priključak dimnjak 3,5x9,5
18. Stezaljka za dimnjak

Informacije potrebne za pripremu lokacije prikladne za postavljanje nape date su u nastavku.

5 Ugradnja uređaja

5.3 Montaža na zid

- Zid mora biti ravan, prav i imati dovoljnu nosivost.
- Dubina rupa za bušenje mora biti u skladu s dužinom vijka.
- Isporučeni vijci i klipovi prikladni su za zidove od opeke. Za drugi građevinski materijal (npr. gipsani zid, ploča, porozni beton) koriste se odgovarajući učvršni klipovi i matice.



(Slika 7)



OPREZ: Prije bušenja osigurajte da u neposrednoj blizini mjesta bušenja nema struje, plina ili vode.

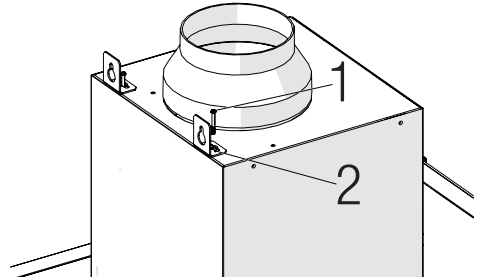
Nacrtajte središnju liniju sa stropa okomito na donji rub aspiratora.

Pričvrstite šemu montaže na zid. Za točke A i B uzmite maksimalne dimenzije aspiratora kao referentne, i bušite točke A i B koje ste označili svrdlom od 6 mm i umetnite plastične zidne čepove od 6 mm. Ugradite ploču za priključak na dimnjak na zid s 2 komada vijaka od 3,9x22 (Slika 8).

Da biste ugradili kućište aspiratora, bušite tačke C, D, E, F navedene u predlošku ugradnje sa svrdlom

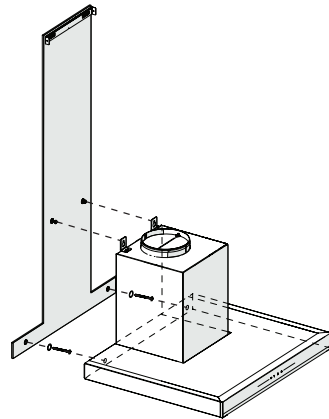
od $\varnothing 10$ mm i umetnite plastične klipove od $\varnothing 10$ mm na ove točke (Slika 8).

Ugradite 2 komada montažnih vijaka 5,5x60 na točke C i D s razmakom od 5 mm između glave vijaka i zida (Slika 8).



(Slika 8)

Ugradite dva komada visećih ploča na kućište aspiratora pomoću montažnih vijaka M5x35 (Slika 8).



(Slika 9)

Držite aspirator za štednjak za njegovo kućište i stavite ga na montažne vijke na zidu i pritegnite vijke (Slika 9).

Ugradite podloške M4 na vijke na kačenje 5,5x60. Pričvrstite aspirator za štednjak s vijkom 5,5x60 na zid kroz otvor za montažu s unutarnje strane uređaja (Slika 9).

5 Ugradnja uređaja

5.4 Priključak na dimnjak

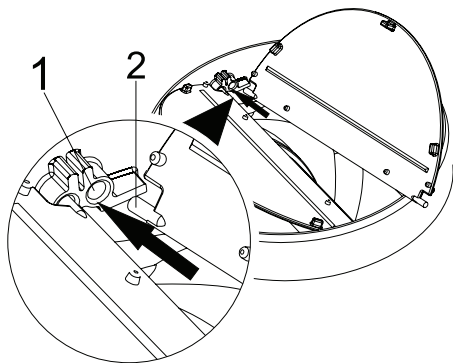
Ako namjeravate koristiti adapter za plastični dimnjak od \varnothing 120/150 mm, spojite jedan kraj cijevi na ovaj adapter, a ako ga nećete koristiti, onda na izravni izlaz na proizvodu. Spojite drugi kraj cijevi na dimnjak. Provjerite jesu li ova dva priključka dovoljno čvrsta da se ne raskače kada uređaj bude radio punom snagom. Provjerite djeluju li zaklopke unutar dimnjaka kada su pritegnute stezaljkama. Spojite kanal priključka na dimnjak izvan adaptera (Slika 11/a). Ako je priključni kanal ugrađen unutar adaptera, usisavanje zraka se neće dogoditi jer će dimovodni otvor koji sprječava povrat zraka ostati zatvoren (Slika 11/b). Duljina cijevnog priključka mora biti što je moguće kraća, a broj zglobova cijevi manji.

A : Izlazna cijev dimnjaka

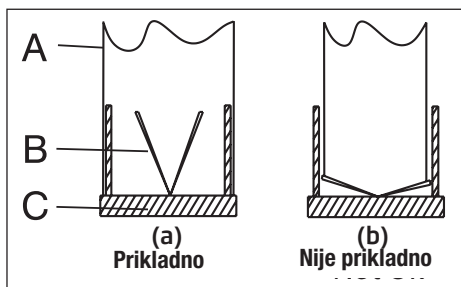
B : Nepovratne zaklopke

C: Plastični dimnjak

Ventili su zatvoreni kada uređaj ne radi te sprječavaju da mogući vanjski miris i prašina ulaze spolja.



(Slika 10)

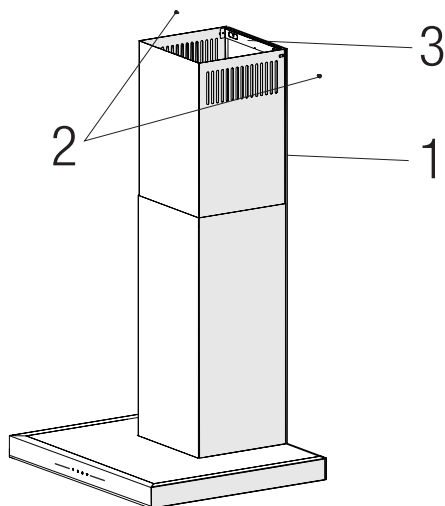


(Slika 11)

5.5 Ugradnja nape na dimnjak

Prije nego što započnete ugradnju dimnjaka, obezbijedite električni priključak za aspirator. Gurnite ploče dimnjaka oko kućišta aspiratora.

Ugradite ploču dimnjaka na pričvrstnu ploču dimnjaka koja je pričvršćena za zid s gornjih vanjskih ivica (Slika 12).



(Slika 12)

1. Unutarnji dimnjak

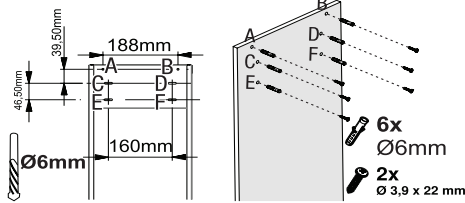
2. 3,5x9,5 vijak

3. Ploča za priključak na dimnjak

5 Ugradnja uređaja

5.6 Ugradnja zračne pregrade (BHCB 93640 BH)

U slučaju korištenja s karbonskim filtrom, zračna pregrada isporučuje se s vašim uređajem s ciljem oslobađanja zraka koji se očišćuje karbonskim filtrom iz perforiranog prostora na dimnjaku. Montirajte zračnu pregradu kako je dato u nastavku.



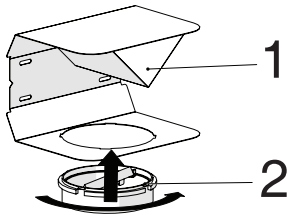
(Slika 13)

Na sredini ploče za priključak na dimnjak nalazi se jezičak. Srednju točku tog jezička postavite na liniju koja je nacrtana okomito na zid. Poravnajte horizontalno i označite rupe na kojima će se priključna ploča montirati (Slika 13 / A, B).

Izbušite označene tačke bušilicom od Ø6 mm i umetnite dva plastična klipa od Ø6mm u izbušene rupe (Slika 13 / A, B).

Pričvrstite ploču priključka na dimnjak na zid vijcima 3,9x22 (Slika 13 / A, B).

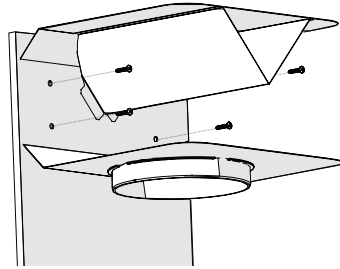
Za montažu zračne pregrade ugradite tačke C, D, E, F s bušilicom od Ø6mm i plastičnim klipovima od Ø6mm (Slika 13).



(Slika 14)

1. Zračna pregrada
2. Plastični dimnjak

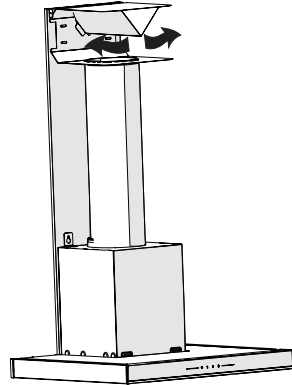
Pričvrstite adapter za plastični dimnjak, koji se nalazi u pakovanju, u smjeru zračne pregrade. Zaključajte adapter dimnjaka okrećući ga u smjeru strelice (Slika 14).



(Slika 15)

Sastavite grupu zračnih pregrada s vijcima 3,9 x 22 iz točke C, D, E, F koju ste već pripremili (Slika 13).

Montirajte kućište aspiratora (Strana 12/ Slika 7).



(Slika 16)

1. Aluminijska cijev za odvod zraka
- Napravite sklop cijevi za odvod zraka (Slika 16).



Budući da će prelamanja i savijanja aluminijske cijevi dovesti do smanjenja snage usisavanja zraka, izbjegavajte koristiti prelome i zavoje što je više moguće.

Ugradite dimnovodne ploče na aspirator (Slika 12)

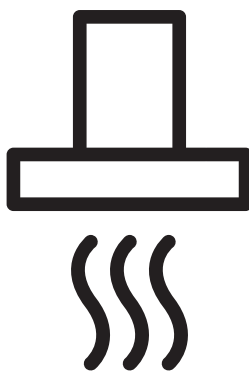
6 Rješavanje problema

Rješavanje problema	Izvorni razlog	Pomoć
Uređaj ne radi.	Provjerite osigurače.	Možda je osigurač pregorio, provjerite i vratite ga.
Uređaj ne radi.	Provjerite priključak na napajanje električnom energijom.	Napon mreže mora biti između 220 i 240 V.
Uređaj ne radi.	Provjerite priključak na napajanje električnom energijom.	Provjerite rade li drugi uređaji u vašoj kuhinji.
Rasvjetna lampica ne radi.	Provjerite priključak na napajanje električnom energijom.	Napon mreže mora biti između 220 i 240 V.
Rasvjetna lampica ne radi.	Provjerite prekidač za lampicu.	Prekidač za lampicu mora biti u položaju „Uključeno“.
Rasvjetna lampica ne radi.	Provjerite lampice.	Lampice uređaja moraju svijetliti.
Dovod zraka u uređaju nije dovoljan.	Provjerite filter za masnoću.	U normalnim radnim uvjetima, filter za masnoću se čisti najmanje jednom mjesečno.
Dovod zraka u uređaju nije dovoljan.	Provjerite odvodnik (dimnjak).	Prekidač za odvodnik zraka (dimnjak) trebao bi biti u položaju „Uključeno“.
Dovod zraka u uređaju nije dovoljan.	Provjerite karbonski filter.	Filtre uređaja s karbonskim filtrima treba zamijeniti jednom u 3 mjeseca u normalnim uvjetima.



Вытяжка

Руководство пользователя



BHCB 93640 B - BHCB 93640 BH

RU



01M-8897303200-0722-10
01M-8897833200-0722-10

Ознакомьтесь с этим руководством перед началом эксплуатации!

Уважаемый покупатель!

Благодарим Вас за выбор этого изделия компании Веко. Мы надеемся, что продукция, изготовленная на современном оборудовании и имеющая высокий уровень качества, будет служить вам наилучшим образом. Для этого, перед началом эксплуатации, внимательно прочтите данное руководство и все прочие сопроводительные документы, и используйте их в дальнейшем в справочных целях. При передаче устройства другому лицу необходимо также передать это руководство. Соблюдайте указания, которые даны в этом руководстве пользователя, и обращайтесь особое внимание на справочные пометки и предупреждения.

Имейте в виду, что данное руководство пользователя может также относиться к другим моделям. Различия между моделями четко описаны в руководстве.

Условные обозначения

В разных разделах данного руководства пользователя используются следующие символы:



Важная информация и полезные советы относительно эксплуатации.



ВНИМАНИЕ: Предупреждения об опасности травмирования или повреждения имущества.



Предупреждение об опасности возникновения пожара.



Предупреждение об опасности поражения электрическим током.



ПЕРЕРАБОТАННАЯ И
ПЕРЕРАБАТЫВАЕМАЯ
БУМАГА

Этот прибор изготовлен на экологически безвредном современном оборудовании, без нанесения ущерба окружающей среде.

1 Важные инструкции по технике безопасности и защите окружающей среды

1.1. Общие правила техники безопасности

Важные инструкции по технике безопасности: внимательно ознакомьтесь и сохраните для дальнейшего использования. В этом разделе содержатся правила техники безопасности, соблюдение которых позволит исключить риск возникновения пожара, поражения электрическим током, воздействия утечек микроволнового излучения, получения иных травм или причинения материального ущерба. При несоблюдении этих правил все гарантийные обязательства аннулируются.

- Изделия торговой марки Веко соответствуют действующим стандартам безопасности. В случае повреждения электроприбора или шнура питания, во избежание

опасных ситуаций, ремонт или замена должны производиться дилером, сервисным центром, специалистом или авторизованной службой. Неправильно или непрофессионально выполненные ремонтные работы могут привести к опасным для пользователя ситуациям.

- Этот прибор предназначен только для бытового и сходного с ним применения, а именно:
 - в кухонных зонах для персонала в магазинах, офисах и других рабочих помещениях;
 - на фермах;
 - в номерах гостиниц, мотелей и т. п.;
 - в помещениях, предоставляемых для проживания на условиях полупансиона.

- Используйте данный электроприбор только по его прямому назначению, как описано в данном руководстве.
- Производитель не несет ответственности за любые повреждения, возникшие в результате неправильного использования или неправильной установки изделия.
- Дети старше 8 лет, а также лица с ограниченными физическими, сенсорными и умственными способностями или без соответствующих навыков и опыта могут использовать данный прибор только под присмотром или после получения инструкций по поводу безопасного использования прибора и осознания связанных с этим опасностей.
- Не позволяйте детям играть с прибором. Не позволяйте детям самостоятельно выполнять очистку и обслуживание прибора.
- Минимальное расстояние между опорной поверхностью емкостей для приготовления пищи на варочной панели и самой нижней частью изделия должно быть не менее 65 см.
- Если в инструкции по установке газовой плиты указано большее расстояние, это следует принять во внимание.
- Напряжение сети питания должно соответствовать номинальным характеристикам, указанным на паспортной табличке электроприбора.
- Ни в коем случае не пользуйтесь электроприбором, если шнур питания или электроприбор повреждены.
- Во избежание повреждения шнура пита-

1 Важные инструкции по технике безопасности и защите окружающей среды

ния не допускайте его сдавливания, перегиба или контакта с острыми кромками. Не допускайте соприкосновения шнура питания с горячими поверхностями или открытым пламенем.

- Включайте прибор только в розетку с заземляющим контактом.

ВНИМАНИЕ: Не подключайте прибор к электросети до полного завершения работ по установке.

- Электроприбор следует располагать таким образом, чтобы штепсельная вилка была легкодоступна.
- Не прикасайтесь к лампам, если они работали в течение длительного времени. Это может вызвать ожог рук, поскольку лампы очень горячие.
- Следуйте инструкциям, установленным ком-

петентными органами относительно выпуска отработанного воздуха (данное предупреждение касается вентиляционных труб).

- Включите прибор после того, как поставите кастрюлю, сковороду и т. д. на варочную панель. В противном случае высокая температура может привести к деформации некоторых частей изделия.
- Отключайте варочную панель перед тем, как убрать с нее кастрюлю, сковороду и т.д.
- Не оставляйте горячее масло на варочной панели. Сковорода с горячим маслом может стать причиной самовозгорания.
- Следите за шторами и занавесками, поскольку при приготовлении таких блюд, как картофель

1 Важные инструкции по технике безопасности и защите окружающей среды

фри масло может загореться.

- Замену жиросебявателя следует осуществлять, как минимум, раз в месяц. Замену угольного фильтра осуществлять, как минимум, раз в 3 месяца.
- Чистку изделия необходимо выполнять в соответствии с инструкциями руководства пользователя. Если чистка изделия не осуществляется в соответствии с указаниями руководства пользователя, существует риск возникновения пожара.
- Не используйте неогнеупорные фильтрующие материалы вместо текущего фильтра.
- Используйте только оригинальные детали или же рекомендованные производителем детали.
- Не эксплуатируйте изделие без фильтра и не снимайте фильтры во время работы изделия.
- В случае возникновения пожара, отключите питание изделия и кухонной плиты.
- В случае возникновения пожара, накройте источник огня. Применение воды для тушения не допускается.
- Отключайте прибор от электросети перед чисткой, а также когда он не используется.
- Отрицательное давление окружающей среды не должно превышать 4 Па (4 x 10 бар) во время одновременной работы вытяжки для электрической варочной панели и приборов, работающих от другого источника энергии.
- В среде, где используется прибор, выхлопные газы устройств, работающих на жидком то-

1 Важные инструкции по технике безопасности и защите окружающей среды

пливе или газе, таких как комнатный обогреватель, должны быть полностью изолированы, или должны быть герметичными.

- При подсоединении к вытяжной трубе, используйте трубы диаметром 120 или 150 мм. Соединения труб должны быть как можно более короткими и иметь минимальное количество колен.
- Существует опасность удушья! Храните упаковочные материалы в недоступном для детей месте.

О С Т О Р О Ж Н О : Доступные детали прибора могут нагреваться во время использования кухонных плит.

- Выход вытяжки нельзя подключать в воздуховодам, которые заняты отводом других отработанных воздушных масс.

- Вентиляция в помещении может быть недостаточной в случае, если вытяжка для электрической варочной панели используется одновременно с устройствами, работающими на газе или других видах топлива (это не относится к приборам, которые только выпускают воздух обратно в помещение).

- Находящиеся на изделии предметы могут упасть. Не следует класть посторонние предметы на вытяжку.

- Фламбирование блюд под изделием не допускается.

ВНИМАНИЕ: Перед началом работ по установке вытяжки удалите защитную пленку.

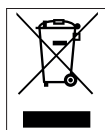
- Никогда не оставляйте открытым высокое пламя под работающей вытяжкой.

1 Важные инструкции по технике безопасности и защите окружающей среды

- Во время использования фритюрниц их необходимо держать под постоянным присмотром: сильно нагретое масло может загореться.

1.2 Соответствие Директиве по утилизации отходов электрического и электронного оборудования и утилизация продукта:

Данное изделие соответствует требованиям Директивы по утилизации отходов электрического и электронного оборудования (2012/19/ЕС). На изделие нанесено условное обозначение для отходов электрического и электронного оборудования (WEEE).



Этот символ означает, что по истечении срока службы данного прибора, он не должен утилизироваться вместе с другими бытовыми отходами.

Бывшее в употреблении устройство необходимо сдать в официальный пункт сбора для утилизации электрического и электронного оборудования. Для получения информации о таких пунктах сбора, пожалуйста, свяжитесь с местными органами власти или розничной торговли, по месту покупки настоящего прибора. В вопросах восстановления и утилизации бывших в употреблении приборов каждый конкретный владелец играет важную роль. Надлежащая утилизация использованного бывшего в употреблении прибора помогает предот-

вратить потенциальные негативные последствия для окружающей среды и здоровья человека.

1.3 Соответствие Директиве ЕС об ограничении содержания вредных веществ (RoHS):

Приобретенное вами изделие соответствует Директиве ЕС о правилах ограничения содержания вредных веществ (2011/65/EU). Оно не содержит вредных и запрещенных материалов, указанных в Директиве.

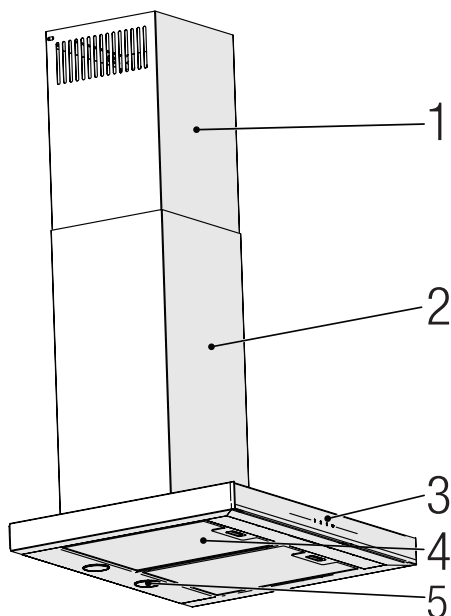
1.4 Информация об упаковке



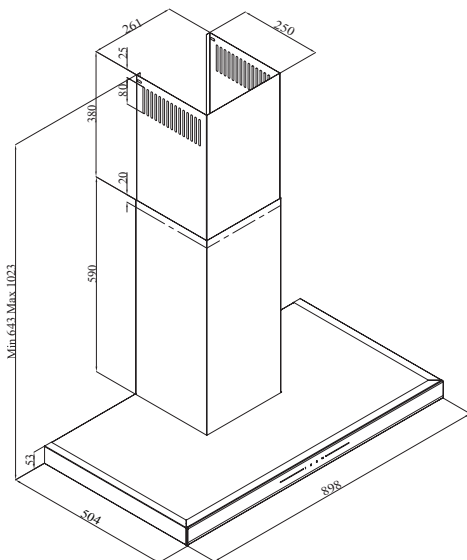
Упаковка прибора изготовлена из вторичного сырья, в соответствии с нашими государственными законами об охране окружающей среды. Не выбрасывайте упаковочные материалы вместе с бытовыми или другими отходами. Отнесите их в пункты приема упаковочных материалов, утвержденные местными органами власти.

2 Общий вид

2.1 Краткое описание



(Рисунок 1)



(Рисунок 2)

ВНСВ 93640 В
ВНСВ 93640 ВН



1. Внутренний дымоход
2. Внешний дымоход
3. Панель управления
4. Аллюминиевый жировой фильтр
5. Освещение

2.2 Технические данные

Модель	ВНСВ 93640 В	ВНСВ 93640 ВН
Напряжение питания	220-240 В / 50 Гц	
Мощность лампы	2 x 3 Вт	
Мощность двигателя	210 W	
Поток - 3. Уровень	645 м³/ч	
Класс изоляции мотора	Класс F	
Класс изоляции	Класс 1	

3 Эксплуатация устройства

3.1 Управление Устройством

 A	 B	 C	 D
КНОПКА	НАЗНАЧЕНИЕ		
A : Вкл / Выкл освещения	Вы можете осветить зону приготовления, нажав эту кнопку. При повторном нажатии данной кнопки лампа выключается.		
B : 1. Кнопка ступени	Включает прибор на 1-й скорости. При повторном нажатии этой кнопки для выключения прибора уровень скорости экрана отключается.		
C : 2. Кнопка ступени	Включает прибор на 2-й скорости. При повторном нажатии этой кнопки для выключения прибора уровень скорости экрана отключается.		
D : Кнопка 3-й ступени	Включает прибор на 3-й скорости. При повторном нажатии этой кнопки для выключения прибора уровень скорости экрана отключается.		

3.2 Энергоэффективное использование

- При использовании вытяжки для экономии электроэнергии устанавливайте скорость в соответствии с интенсивностью образования пара или запаха.
- В обычных условиях используйте низкие скорости (1-2), а при интенсивном образовании пара и запаха – высокую (3).
- Лампы на вытяжке предназначены для освещения места готовки.

- Их использование для освещения помещения приведет к чрезмерному потреблению электроэнергии и будет недостаточным.

3.3 Эксплуатация вытяжки

- В вытяжке имеется мотор, работающий на разных скоростях.
- Для лучшей производительности мы рекомендуем использовать низкие скорости в нормальных условиях и высокие скорости в случае сильного запаха и интенсивного пара.
- Вы можете запустить прибор, нажав кнопку желаемой скорости. (B, C, D)
- Вы можете осветить зону приготовления, нажав на лампу (A).

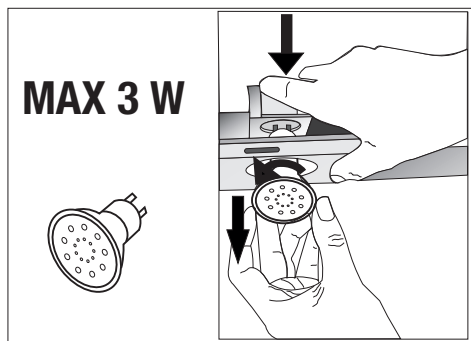
3.4 Автоматическая остановка

В вашем приборе есть функция автоматической остановки, которая позволяет ему проветривать еще немного и удалять нежелательные запахи и пар из окружающей среды, а также автоматически выключаться после завершения приготовления. Чтобы включить функцию автоматической остановки, нажмите кнопку любой ступени скорости (A, B, C) на панели управления и удерживайте более 2 секунд, после этого активируется функция 15-минутного таймера. Когда функция автоматической остановки активна, нажатие той же кнопки скорости отключает функцию автоматической остановки, и двигатель устройства останавливается. Эта функция отключается при переключении между различными степенями скорости. Если вы хотите, чтобы прибор останавливался автоматически, вам не-

3 Эксплуатация устройства

обходимо снова включить функцию автоматической остановки.

3.5 Замена лампы



(Рисунок 3)

Выполните электрические подключения устройства. В вашем приборе используется точечная светодиодная лампа мощностью 3 Вт. Для замены ламп нажмите на держатель вниз, поверните его против часовой стрелки и вытащите его. Выполните описанную выше операцию в обратном порядке, чтобы установить новые лампы (Рисунок 3).

Лампочка	
Мощность лампочки	3 Вт
Держатель / Гнездо	GZ 10
Напряжение лампочки	220 - 240 В
Размер	53 x 50 мм
Код ILCOS	DR/F3-220-240-GZ10-50-53
Световой поток	260 lm

Коррелированная
цветовая
температура

3000 К

Этот продукт содержит источник света класса энергоэффективности «F».

3.6 Работа с подключением к дымоходу

-  Пар выводится через дымоход, который крепится к соединительной головке вытяжки.
- Диаметр дымохода должен быть таким же, как у соединительного кольца. В горизонтальном положении труба должна иметь небольшой наклон вверх (около 10°), чтобы воздух мог легко выходить из комнаты.

3.7 Работа без подключения к дымоходу

-  Воздух фильтруется через угольный фильтр и рециркулирует в помещении. Угольный фильтр применяется, когда в доме нельзя использовать дымоход.
- При использовании без дымохода снимите заслонки внутри переходника дымохода.
- Снимите алюминиевый жировой фильтр. Чтобы установить угольный фильтр, прикрепите фильтр к выступам, центрируя его на пластиковом элементе с обеих сторон корпуса вентилятора. Затяните, повернув вправо или влево.
- Заменить алюминиевый жировой фильтр.

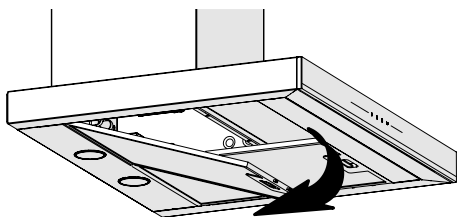
4 Очистка и уход



Отключите устройство от сети или выключите соединения перед чисткой и техническим обслуживанием.

4.1 Очистка алюминиевого жирового фильтра

Алюминиевый жировой фильтр используется для удержания частиц масла в воздухе. Алюминиевый жировой фильтр может изменить цвет после многократной очистки. Это нормально, и вам не нужно менять фильтры.



(Рисунок 4)

- Выдвиньте затвор алюминиевого масляного фильтра вперед.
- Затем слегка потяните вниз и вытаскивайте (Рисунок 4). Иначе вы можете искривить фильтр. Вымойте и прополощите алюминиевые жировые фильтры жидким моющим средством и замените фильтры в их гнездах, выполнив действия, указанные выше, в обратном порядке. Эти алюминиевые жировые фильтры используются для удержания частиц масла в воздухе.

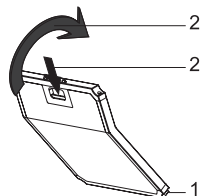


Вы также можете мыть алюминиевый жировой фильтр в посудомоечной машине.



ВНИМАНИЕ: В случае нормальной эксплуатации очищайте алюминиевый жировой фильтр один раз в месяц.

4.2 Замена угольных фильтров



(Рисунок 5)

- Приобретенный прибор подходит для использования с угольными фильтрами.
- Снимите алюминиевый жировой фильтр (Рисунок 4).
- Поместите нижнюю часть угольного фильтра в моторный блок (Рисунок 5).
- Нажмите на язычок угольного фильтра и протолкните его вперед, убедившись, что язычки угольного фильтра зафиксированы и заблокированы. (Рисунок 5).
- Установите алюминиевый жировой фильтр.



ВНИМАНИЕ

- Запрещено мыть угольные фильтры.
- Заменяйте угольные фильтры каждые 3 месяца.
- Вы можете приобрести угольный фильтр в авторизованных сервисах.

5 Установка изделия



ПРЕДУПРЕЖДЕНИЕ:

Перед началом установки прочтите информацию по безопасности в Руководстве пользователя.



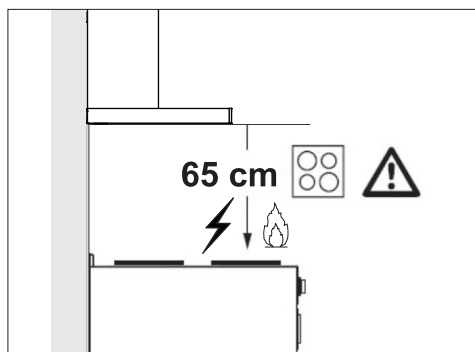
ПРЕДУПРЕЖДЕНИЕ:

Несоблюдение инструкций по установке с помощью винтов и стабилизаторов может привести к поражению электрическим током.

По вопросам установки вытяжки обращайтесь в ближайший авторизованный сервисный центр.

Заказчик несет ответственность за подготовку места и электрического монтажа вытяжки.

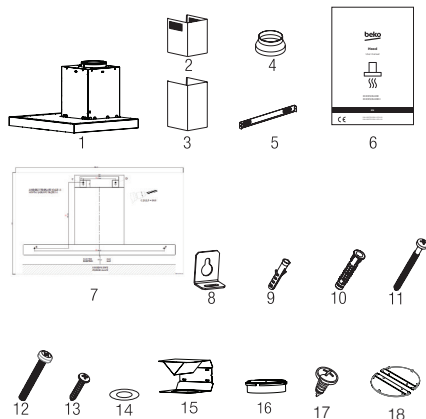
5.1 Положение изделия



(Рисунок 6)

- Перед сборкой необходимо учитывать расстояние между плитой и вытяжкой. Это расстояние должно составлять 65 см (Рисунок 6).
- Расстояние необходимо измерять от поверхности решетки для газовых плит,
- от поверхности стекла для электрических плит.

5.2 Принадлежности для установки



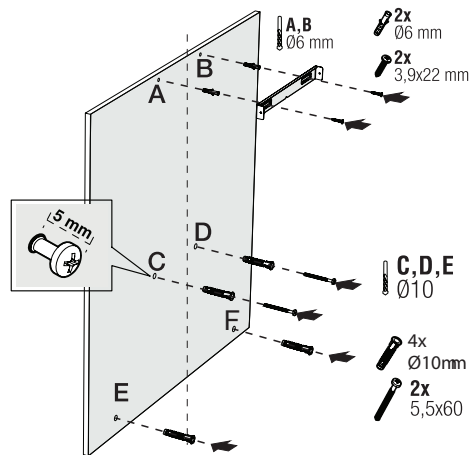
1. Прибор
2. Внутренний дымоход
3. Внешний дымоход
4. Пластиковый переходник дымохода Ø150/120 мм
5. Соединительная пластина вытяжной трубы
6. Руководство по эксплуатации
7. Схема сборки
8. 2 x Подвесные пластины
9. 2 x Пластиковый дюбель Ø6 мм
10. 4 x Пластиковый дюбель Ø10 мм
11. 4 x 5.5 x 60 Винт для настенного крепления
12. 2 x M5 x 35 Соединительный винт подвесной пластины
13. 2 x 3.9 x 22 Винт пластины соединения дымохода
14. 2x M4 Washer
15. Дефлектор воздуха
16. Пластиковый адаптер (воздухоотводчик)
17. 2 x 3.5 x 9.5 Винт пластины соединения дымохода
18. Зажим дымохода

4 Очистка и уход

Информация, необходимая для выбора места, подходящего для установки вытяжки, представлена ниже.

5.3 Настенное крепление

- Стена должна быть плоской, прямой и иметь достаточную несущую способность.
- Длина отверстий для сверления должна соответствовать длине болтов.
- Винты и дюбели, поставляемые с изделием, подходят для кирпичных стен. При установке на стенах из других строительных материалов (например, гипсокартона, плиты, пористого бетона) следует использовать подходящие крепежные дюбели и гайки.



(Рисунок 7)



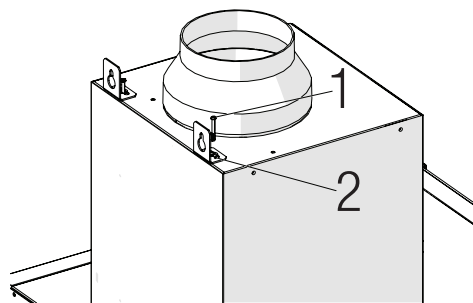
ВНИМАНИЕ: Перед началом сверления убедитесь, что в непосредственной близости от мест сверления нет электрических кабелей, газовых или водопроводных труб.

Нарисуйте среднюю линию от потолка перпендикулярно нижнему краю вытяжки.

Закрепите схему сборки на стене. Для точек А и В возьмите максимальные размеры вытяжки в качестве справочных и просверлите точки А и В, которые вы отметили сверлом $\text{Ø}6$ мм, и вставьте на пластиковые дюбели $\text{Ø}6$ мм. Прикрепите соединительную пластину дымохода к стене двумя винтами $3,9 \times 22$ (Рисунок 8).

Для установки корпуса вытяжки просверлите точки С, D, E, F указанные в установочном шаблоне, сверлом $\text{Ø}10$ мм и вставьте в эти точки пластиковые дюбели $\text{Ø}10$ мм (Рисунок 8).

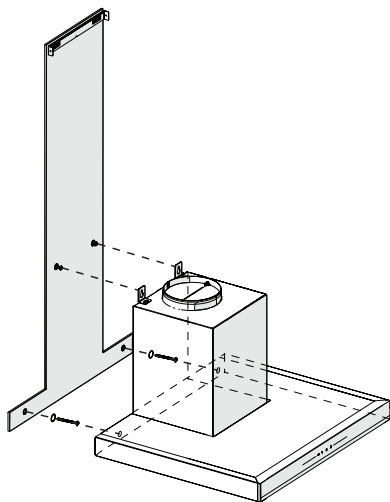
Установите 2 монтажных винта $5,5 \times 60$ в точки С и D с зазором 5 мм между головкой винта и стеной (Рисунок 8).



(Рисунок 8)

Установите две подвесные пластины на корпус вытяжки с помощью крепежных винтов $M5 \times 35$ (Рисунок 8).

5 Установка изделия



(Рисунок 9)

Удерживая изделие за корпус, поместите его на винты для подвешивания на стене и затяните винты (Рисунок 9).

Установите шайбы M4 на подвесные винты 5,5x60. Закрепите вытяжку шурупом 5,5x60 к стене через монтажное отверстие внутри прибора (Рисунок 9).

5.4 Подключение к дымоходу

Если вы собираетесь использовать пластиковый переходник для дымохода \varnothing 120/150 мм, подсоедините один конец трубы к этому переходнику, если вы не собираетесь его использовать, к прямому выходу на изделии. Подключите другой конец трубы к дымоходу. Убедитесь, что эти два соединения достаточно тугие, чтобы они не выскочили, когда прибор будет работать на полную мощность. Проверить, работают ли заслонки внутри дымохода, когда они затянуты зажимами.

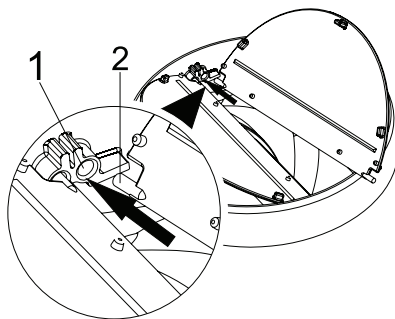
Подсоедините соединительный канал дымохода за пределами адаптера (Рисунок 11/a). Если соединительный канал расположен внутри адаптера, всасывание воздуха не должно происходить, так как заслонка дымохода, препятствующая возврату воздуха, будет оставаться закрытой (Рисунок 11/b). Длина трубы, а также количество колен трубы должны быть минимальными.

A : Труба выхода дымохода

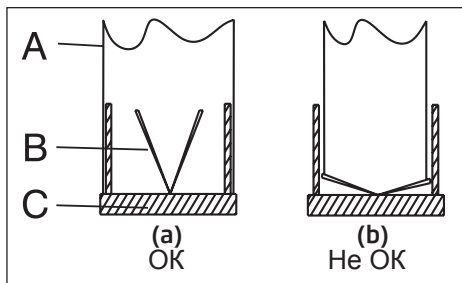
B : Обратные заслонки

C : Пластиковая вытяжная труба

Клапаны закрыты, значит прибор не работает, и предотвращают попадание внутрь возможного запаха извне и пыли.



(Рисунок 10)



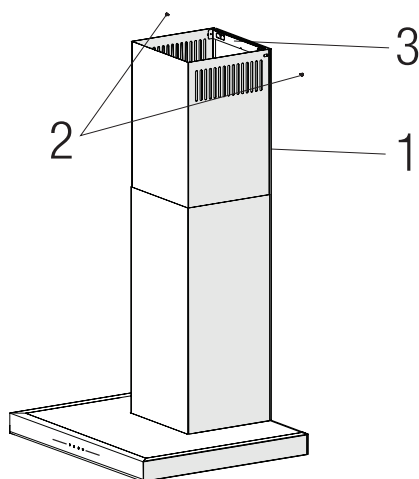
(Рисунок 11)

4 Очистка и уход

5.5 Установка вытяжки на дымоход

Подключите вытяжку к электросети перед установкой дымохода. Наденьте пластины дымохода на корпус.

Установите пластину дымохода на крепежную пластину дымохода, которая крепится к стене с ее верхних внешних краев (Рисунок 12).



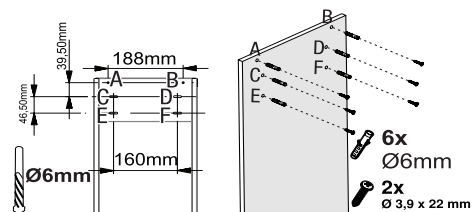
(Рисунок 12)

1. Внутренний дымоход
2. Винт 3,5x9,5
3. Соединительная пластина вытяжной трубы

5.6 Установка воздушной заслонки ВНСВ 93640 ВН

При использовании с угольным фильтром в комплекте с прибором поставляется воздухозаборник, предназначенный для повторного выпуска воздуха, очищенного с помощью угольного фильтра, из перфорированного

отверстия на дымоходе. Соберите дефлектор, как показано ниже.



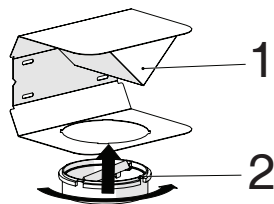
(Рисунок 13)

Посередине соединительной пластины дымохода имеется язычок. Поместите среднюю точку данного язычка на линию, которая нарисована перпендикулярно стене. Выровняйте по горизонтали и отметьте отверстия с помощью ручки, в которых соединительная пластина будет установлена (Рисунок 13/А, В).

Просверлите отмеченные точки $\varnothing 6$ мм сверлом и вставьте два пластиковых штифта в просверленные отверстия (Рисунок 13/А, В).

Прикрепите соединительную пластину дымохода к стене винтами 3,9x22 (Рисунок 13/А, В).

Для сборки воздуховода установите точки С, D, E, F с помощью сверла $\varnothing 6$ мм и пластиковых дюбелей $\varnothing 6$ мм (Рисунок 13).

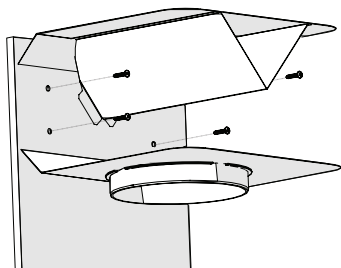


(Рисунок 14)

1. Воздушный дефлектор
2. Пластиковый дымоход

5 Установка изделия

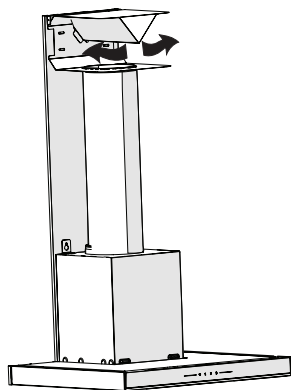
Прикрепите пластмассовый переходник дымохода, входящий в комплект поставки, по направлению к дефлектору. Зафиксируйте переходник дымохода, повернув его в направлении стрелки (Рисунок 14).



(Рисунок 15)

Соберите группу воздуховодов с помощью винтов 3,9 x 22 из точек С, D, E, F, которые вы уже подготовили (Рисунок 13).

Соберите корпус вытяжки (Рисунок 7).



(Рисунок 16)

1.Алюминиевая выпускная труба

Соберите сборку воздуховыпускной трубы (Рисунок 16).



Так как в результате перегибания и перекручивания алюминиевой трубы может иметь место снижение мощности всасывания, следует по возможности избегать перекручиваний и перегибаний.

Установите пластины дымохода вытяжки (Рисунок 12)

6 Устранение неисправностей

Устранение неисправностей	Причина	Решение
Изделие не работает.	Проверить предохранитель.	Предохранитель может быть отключен, включите его.
Изделие не работает.	Проверьте электрическое соединение.	Напряжение в сети должно составлять 220-240 В.
Изделие не работает.	Проверьте электрическое соединение.	Проверьте, работает ли другое оборудование на кухне.
Не горит лампа освещения.	Проверьте электрическое соединение.	Напряжение в сети должно составлять 220-240 В.
Не горит лампа освещения.	Проверьте выключатель лампы.	Выключатель лампы должен находиться в положении «вкл.».
Не горит лампа освещения.	Проверьте лампы.	Лампы изделия должны быть исправны.
Изделие не обеспечивает эффективный забор воздуха.	Проверьте алюминиевый фильтр.	При обычных условиях эксплуатации алюминиевый фильтр необходимо чистить не реже раза в месяц.
Изделие не обеспечивает эффективный забор воздуха.	Проверьте воздушную заслонку вентиляционной трубы.	Заслонка вентиляционной трубы должна находиться в положении «вкл.».
Изделие не обеспечивает эффективный забор воздуха.	Проверьте угольный фильтр.	При обычных условиях эксплуатации в изделиях, оборудованных угольным фильтром, его замену следует производить каждые 3 месяца.

- если изделие, предназначенное для личных (бытовых, семейных) нужд, использовалось для осуществления предпринимательской деятельности, а также в иных целях, не соответствующих его прямому назначению;
 - в случае нарушения правил и условий эксплуатации, установки изделия, изложенных в инструкции по эксплуатации и инструкции по установке;
 - если изделие имеет следы попытки неквалифицированного ремонта;
 - если дефект вызван изменением конструкции или схемы изделия, не предусмотренные изготовителем;
 - если дефект вызван действием непреодолимых сил, несчастными случаями, умышленными или неосторожными действиями потребителя или третьих лиц;
 - если обнаружены повреждения, вызванные попаданием внутрь изделия посторонних предметов, веществ, жидкостей, насекомых;
 - использование неоригинальных расходных материалов автоматически лишает Вас гарантии изготовителя.
5. Гарантийные обязательства и бесплатное сервисное обслуживание не распространяются на следующие недостатки изделия:
- механические повреждения, возникшие после передачи товара потребителю;
 - повреждения, вызванные несоответствием стандартам параметров питающих, телекоммуникационных, кабельных сетей и других подобных внешних факторов;
 - повреждения, вызванные использованием нестандартных и (или) некачественных расходных материалов, принадлежностей, запасных частей;
6. В случае несовершеного (стусия более чем один месяц) извещения о выявленных недостатках изделия, изготовитель оставляет за собой право отказать полностью или частично от удовлетворения предъявляемых требований (ст. 436 ГК РК).

НАЗАР АУДАРЫҢЫЗДАР!


Үш контактілі желілік айыры бар бұйым, міндетті түрде, жерге тұйықталуы тиіс. **ВНИМАНИЕ!** Изделие, имеющее трехконтактную сетевую вилку, обязательно должно быть заземлено.

Қазақстан Республикасы аумағында өрекет етеді. Действует на территории Республики Казахстан.

Покупатель _____ Фамилия, Имя, Отчество	Покупатель _____ Фамилия, Имя, Отчество	Покупатель _____ Фамилия, Имя, Отчество
Адрес _____	Адрес _____	Адрес _____
Тел. _____	Тел. _____	Тел. _____
Дата ремонта _____	Дата ремонта _____	Дата ремонта _____
Серв. центр _____	Серв. центр _____	Серв. центр _____
Мастер _____	Мастер _____	Мастер _____
Фамилия, Имя, Отчество	Фамилия, Имя, Отчество	Фамилия, Имя, Отчество

Дата	Характер неисправности	Принятые меры

М.П. _____
Подпись ответственного лица _____



Қазақстан Республикасы аумағында өрекет етеді
Действует на территории Республики Казахстан

<http://www.beiko.ru>

Адрес: 109004, Россия, Москва, ул. Станиславского д.21, стр.1
Телефоны горячей линии **8-800-200-23-56**
(Звонок бесплатен на всей территории Республики Казахстан)

Гарантийный талон № _____

Дата продажи _____	Серийный номер _____
Компания _____	Дата установки _____
Подпись продавца _____	Компания _____
ПЕЧАТЬ	Подпись мастера _____
	ПЕЧАТЬ

Покупатель _____ **Телефон** _____
Фамилия, Имя, Отчество

Изделие проверилось в присутствии покупателя, покупатель с условиями гарантии ознакомлен. Претензий к внешнему виду и комплектации не имею _____
Подпись Покупателя

! **Отрывные купоны гарантийного талона являются средством отчетности о выполнении сервисным центром гарантийных работ. Купон изымается из гарантийного талона после удовлетворения Ваших претензий.**

beiko	beiko	beiko
серия № _____	серия № _____	серия № _____
Дата продажи _____	Дата продажи _____	Дата продажи _____
ПЕЧАТЬ МАГАЗИНА	ПЕЧАТЬ МАГАЗИНА	ПЕЧАТЬ МАГАЗИНА

Құрметті Сатып алушы!

БЕКО сауда маркасының бұйымның тағдааныңыз үшін алғыс білдіреміз.

БЕКО ір тұрмыстық техникаға тұтынушы тасыған күннен бастап 10 (он) жыл ресми қызмет көрсету мерзімін бөлігеді. Өзге тұрмыстық техникаға, теледидарларға, аудио-видео және радио аппаратураларға, тұрмыста қолдануға арналған, кондиционерлерге пайдалану жөніндегі нұсқаулықты ұстанған жағдайда, 5 (бес) жыл ресми қызмет көрсету мерзімін бөлігеді. БЕКО өнімдерінің жағары сапасын, беріктігі мен құрапсіздік дәрежесін ескерсек, өнімнің қызмет мерзімі ресми пайдалану мерзімінен өтеуір азарады. Белгілі бір мемлекетке сатуға арналған БЕКО өнім сол мемлекеттің пайдалану жөніндегі талаптарына негізделіп отырып жасалған. Соыған кез жеткен уақыт бұйым мен бұйымның орнандырағы ресми белгілердің сәйкестігін тексеруіңізді сұраймыз. Егер қандай да бір сұрақтар туындайтын болса, Олзден міндетті түрде БЕКО қызмет көрсету орталығына хабарлауыңызды сұраймыз. Қызмет көрсету орталығының мекенжайы мен телефон нөмірлерін келіпдік талғонына берілген қошымсалардан көре аласыз (Қазақстан Республикасы аумағында телефон соғу тегі). Соы келіпдік талонымен БЕКО өзге де бұйымда кемшіліктер анықталған жағдайда, тұтынушының құқығын қорғау бойынша заңмен әрекет етілетін тұтынушы талаптарын қанағаттандыру бойынша өзін міндеттемелерді қабылдауын растайды. Алайда, БЕКО компаниясы тұтынушы төменде аталған талаптарды орындамаған жағдайда келіпдіктен, соңдық-ақ бұйымға тегін қызмет көрсетумен де тарту құқығын өзіне қалдырады. Келіпдік міндеттемелер мен тегін қызмет көрсету талаптары Тұтынушылардың құқықтарын қорғау жөніндегі заңнама аясында әрекет етеді.

Келіпдік міндеттемелер мен тегін қызмет көрсету талаптары:

1. Өндірушінің, келіпдік талаптары мен уәкілі етілген қызмет көрсету орталықтары ұсынатын тегін мағына және ҚР мемлекетінің Мемлекеттік Стандартына сәйкес сертифицициялаудан өткен мамлекеттерге таратылады.
2. Өндіруші БЕКО өнімдеріне төмендеп келіпдік мерзімін бөлігеді: ір тұрмыстық техника: тұтынушыға тасыған күннен бастап - 2 (екі) жыл, Өзге тұрмыстық техникаға, теледидарларға, аудио-видео және радио аппаратураларға, тұрмыста қолдануға арналған кондиционерлерге тұтынушыға тасыған күннен бастап - 1 (бір) жыл.
3. Егер бұйымның құрал-жабдықтары оның құрылысынан алуыстыру және бұйымды белшектетеуе байланысты болмаса, төмендегі құрал-жабдықтарға келіпдік міндеттемелер таратылмайды.

Бұйымның барлық түрлері үшін:

- а) қашықтан басқару пульттеріне, аккумуляторлы батареяларға, қоректендіу элементтеріне (батареяларға), қоректендіу блоктарының сыртқы бөліктеріне және қуат бергіш құрылымдарға;
- б) жалғызғаш кабельдерге, антенналарға және оларға арналған еткізгіштерге, құлаққаптарға, микрофондарға;
- в) бұйыммен бірге берілетін қалпақтар, белдіктерге, тасымалдауға арналған ширүлдерға, монтаждау құралыналарға, аспаптарға, құжаттарға;

Төмендегілерді қоса алғанда:

- а) Төңкерішкіларға: иіс сорғыштарға, ауа тазартқыштарға (биодезодораторларға), сүзгілерге;
- б) Қысқа тоқпанды пештерге, табақшаларға, отқа ет қақпайтын ісіктерге, торларға, табақшаларға;
- в) Шаш сорғыштарға, түпкіртерге, шлангтерге, шөккаларға, қондырғыларға, шаң жинағыштарға, сүзгілерге;
4. Кондиционерлерге, ауа тазартқыштарға, сүзгілерге;
4. Өндіруші мынадай жағдайларда бұйымға келіпдік бермейді, және тегін қызмет көрсетпейді: і) еке мұқтаждық үшін қажет болған бұйым (тұрмыстық отбасылық), өндірістік қызметтеді іске асыру үшін және оның негізгі апаратынан қызметіне сәйкес келмейтін басқа да мақсаттарға қолданған жағдайда;
- б) пайдалану әрежелері мен талаптарын, пайдалану жөніндегі нұсқаулықта және бұйымды орнату жөніндегі нұсқаулықта жазылған талаптарды бұзған жағдайда;
- в) Егер бұйымға рұқсат етілмеген жөндеу жұмыстарының ізі анықталса;
- г) бұйымның құрылысы мен жамансында рұқсат етілмеген өзгерістер орын алса;
- д) Егер ақау өсеріліміс күшті іс-әрекет, шөккі және жағдайлармен, тұтынушының немесе үшінші тұлғаның қасақана немесе абабасы іс-әрекетінің арқасында орын алса;
- е) Бұйымның ішіне басқа бір заттардың, сұйықтықтардың, шыбын-шіркейлердің түсіп кетуінен пайда болған зақымданулар табылса;
- ж) Тұтынушы болып саналмайтын шығын материалдарын қолдану Олзден автоматты түрде Өндіруші келіпдік пен атырады.

5. Төмендегі жағдайларда бұйымға келіпдік міндеттемелер таратылмайды және тегін сервістық қызмет көрсетілмейді:

- а) Бұйымды тұтынушы тасығаннан кейін пайда болған механикалық зақымдар;
- б) Қуат және телекоммуникациялық, кабельдік желілер параметрлерінің дұрыс жұмыс істеуі (және немесе) стандарттарға сәйкес келмеуі) және осы сияқты өзге де сыртқы факторлардың салдарынан пайда болған бұзылулар;
- в) Стандарттарға сай келмейтін және (немесе) сапасыз шығыс материалдары, жабдықтар, қосалқы бөлшектер, қуат көзі элементтері, ақпаратты тасымалдаушылар қолданудан пайда болған бұзылулар;
6. Тұтынушы орын алған кемшіліктер жөнінде уақтылы (бір айда) нестам уақыт өткен жағдайда) хабарламаған жағдайда. Өндіруші Тұтынушының талаптарын толық немесе ішінара қанағаттандыра алмауы кұқылы (ҚР АҚ 436-базб).

Уважаемый Покупатель!

Благотворный Вас за выбор изделия торговой марки БЕКО.

БЕКО устанавливает официальную срок службы на крупную бытовую технику 10 (десять) лет со дня передачи потребителю. На прочую бытовую технику, телевизоры, аудио-видео и радио аппаратуру, кондиционеры, предназначенные для использования в быту, устанавливается срок службы 5 (пять) лет, при условии соблюдения правил эксплуатации. Учитывая высокое качество, надежность и степень безопасности продукции БЕКО, фактический срок эксплуатации может значительно превышать официальный. Вся продукция, предназначенная БЕКО для поставок в определенную страну, изготовлена с учетом условий эксплуатации этой страны. Чтобы убедиться в этом, просим Вас проверить наличие на изделии и упаковке официальных знаков соответствия. Если у Вас возникнут какие-либо проблемы, настоятельно рекомендуем Вам обратиться в уполномоченные сервисные центры БЕКО, адреса и телефоны которых Вы можете узнать из приложения к гарантийному талону или по телефону горячей линии (звонок бесплатный на всей территории Республики Казахстан). Данное гарантийное талонное (звонок бесплатный) принятие на себя обязательств по удовлетворению требований потребителя, в случае обнаружения недостатков изделия. Однако БЕКО оставляет за собой право отказать как в гарантийном, так и бесплатном сервисном обслуживании изделия в случае несоблюдения изложенных ниже условий. Все условия гарантийных обязательств и бесплатного сервисного обслуживания действуют в рамках законодательства о защите прав потребителей.

Условия гарантийных обязательств и бесплатного сервисного обслуживания:

1. Гарантийные обязательства устанавливаются и бесплатное сервисное обслуживание предоставляется в течение определенных сервисных центров/адресов. Изготовителя распространяется только на модели, предназначенные БЕКО для поставок и реализации на территории РК, приобретенные на территории РК и прошедшие сертификацию на соответствие ГОСТам РК.
2. Изготовитель устанавливает следующие гарантийные сроки на изделия БЕКО: Крупная бытовая техника: 2 (два) года со дня передачи потребителю. Прочая бытовая техника, телевизоры, аудио-видео радио аппаратура, кондиционеры, предназначенные для использования в быту – 1 (один) год со дня передачи потребителю.
3. Гарантийные обязательства не распространяются на перечисленные ниже принадлежности изделия, если их замена предусмотрена конструкцией и не связана с разборкой изделия.

Для нас виды использования:

- а) на тульыштық диспетчерлік управление, аккумуляторные батареи, элементы питания (батарея), внешние блоки питания и зарядные устройства;
- б) соединительные кабели, антенны и принадлежности для них, наушники, микрофоны;
- в) чехлы, ремни, шнурки для переноски, монтажные приспособления, инструменты, документация, шумо, прилагательные к изделию.

Дополнительно для:

- а) холодильников, на поглотители запахов, очистители воздуха (биодезодораторы), фильтры;
- б) микроволновых печей: на тарелки, вертела, решетки, блюда;
- г) стиральных машин: на шланги, трубки, щетки, насадки, пылесборники, фильтры;
- д) кондиционеров, увлажнители воздуха, пылесосы;
4. Изготовитель не несет гарантийные обязательства и не производит бесплатное сервисное обслуживание изделия в случаях:

Производитель: "Arçelik A.S."
Karaağaç Caddesi No: 2-6 Sötlüce, 34445, Турция

Сделано в Китае

Импортер на территории РФ: ООО «БЕКО»
Юридический адрес: 601021 Россия, Владимирская обл., Киржачский р-н,
дер. Федоровское, ул. Сельская, д. 49

Дата производства включена в серийный номер продукта, указанный на этикетке, расположенной на продукте, а именно:

первые две цифры серийного номера обозначают год производства, а последние две – месяц.

Например, «10-100001-05» обозначает, что продукт произведен в мае 2010 года.

Алдымен осы пайдаланушы нұсқаулығын оқып шығыңыз!

Құрметті тұтынушы,

Осы Веко құрылғысын жөн көргеніңізге рахмет. Жоғары сапалы және заманауи технология арқылы өндірілген құрылғыңыздан ең жақсы нәтижелер аласыз деп үміттенеміз. Осы себепті, құрылғыны пайдалану алдында осы толық пайдаланушы нұсқаулығын және барлық басқа ілеспе құжаттарды мұқият оқып шығыңыз және болашақта пайдаланатын анықтама ретінде сақтаңыз. Құрылғыны басқа біреуге берсеңіз, пайдаланушы нұсқаулығын да беріңіз. Нұсқауларды орындаңыз, пайдаланушы нұсқаулығындағы бүкіл ақпарат пен ескертулерге көңіл бөліңіз.

Сондай-ақ бұл пайдаланушы нұсқаулығы басқа үлгілерге қатысты болуы мүмкін екенін есте сақтаңыз. Үлгілер арасындағы айырмашылықтар нұсқаулықта ашық түрде сипатталған.

Таңбалардың мағыналары

Осы пайдаланушы нұсқаулығының әртүрлі бөлімдерінде келесі таңбалар пайдаланылады:



Маңызды ақпарат және пайдалану туралы пайдалы кеңестер.



ЕСКЕРТУ: Өмір мен мүліктің қауіпсіздігіне қатысты қауіпті жағдайлар туралы ескертулер



ЕСКЕРТУ: Өрт қаупі туралы ескерту.



ЕСКЕРТУ: Ток соғуы туралы ескерту.



ҚАЙТА ӨНДЕЛГЕН ЖӘНЕ
ҚАЙТА ӨНДЕЛМЕЛІ ҚАҒАЗ

Бұл құрылғы экологияға зиянсыз заманауи зауыттарда, табиғатқа ешбір зиян тигізбейтіндей өндірілген.

1 Қауіпсіздік және қоршаған орта туралы маңызды нұсқаулар

1.1 Жалпы қауіпсіздік

Қауіпсіздік туралы маңызды нұсқаулар. Мұқият оқып шығып, болашақта анықтама алу үшін сақтап қйыңыз. Бұл бөлімде өрт, ток соғуы, шағын толқындардың әсері, жарақат алу немесе мүліктің зақымдалуы қауіпінен қорғауға көмектесетін қауіпсіздік туралы нұсқауларды қамтиды. Бұл нұсқауларды орындамау кез келген кепілдіктің күшін жояды.

- Веко өнімдері тиісті қауіпсіздік стандарттарының талаптарына сай; сондықтан, құрылғыда немесе қуат кабелінде кез келген зақым болған жағдайда, кез келген қауіпті болдырмау үшін оны дилер, сервистік орталық немесе маман және солар сияқты өкілетті сервис жөндеуі немесе ауыстыруы керек. Ақаулы немесе білікті емес жөндеу жұ-

мысы қауіпті болуы және пайдаланушыға қауіп төндіруі мүмкін.

- Бұл құрылғы үйде және келесі сияқты ұқсас қолдану жағдайларында пайдалануға арналған:
 - Дүкендердегі, кеңселердегі және басқа жұмыс орталарындағы қызметкерлердің асүй аумақтары;
 - Ферма үйлері
 - Қонақ үйлердегі және басқа тұрмыстық түрге жататын орталардағы клиенттер;
 - Тамақ және таңғы ас түріне жататын орталар.
- Құрылғыны мақсатына сай, тек осы нұсқаулықта сипатталғандай пайдаланыңыз.
- Өндіруші өнімді тиісті емес орнату немесе дұрыс емес пайдалану нәтижесіндегі зақымдарға жауапты болмайды.

1 Қауіпсіздік және қоршаған орта туралы маңызды нұсқаулар

- Бұл құрылғыны 8 жастағы және одан асқан балалар және дене, сезім немесе ақыл-ой қабілеттері төмен, я болмаса тәжірибесі және білімі жоқ адамдар қадағалау астында немесе құрылғыны қауіпсіз жолмен пайдалану туралы нұсқаулар берілсе және қатысты қауіптерді түсінсе пайдалана алады.
- Балаларға құрылғымен ойнауға рұқсат етпеу керек. Балалар тазалауды және пайдаланушылық техникалық қызмет көрсетуді қадағалаусыз орындамаулары керек.
- Жанарғыдағы әзірлеу ыдыстарына арналған тірек беті және өнімнің ең төменгі бөлігі арасындағы ең аз қашықтық кемінде 65 см болуы керек.
- Газ жанарғысын орнату туралы нұсқауларда үлкенірек қашықтық көрсетілген болса, мұны ескеру керек.
- Желілік қуат көзі құрылғының зауыттық тақтайшасында берілген ақпаратқа сай екенін тексеріңіз.
- Қуат кабелі немесе құрылғының өзі зақымдалған болса, құрылғыны ешқашан пайдаланбаңыз.
- Қыспау, майыстырмау немесе үшкір жиектерге үйкемеу арқылы қуат кабелінің зақымын болдырмаңыз. Қуат кабелін ыстық беттерден және ашық жалыннан аулақ ұстаңыз.
- Құрылғыны тек жерге қосылған розеткада пайдаланыңыз.

1 Қауіпсіздік және қоршаған орта туралы маңызды нұсқаулар

ЕСКЕРТУ: Орнату толығымен аяқталғанша құрылғыны желіге қоспаңыз.

- Құрылғыны ашаға әрқашан қол жеткізуге болатындай орналастырыңыз.
- Ұзақ уақыт бойы жұмыс істесе, шамдарға тиемеңіз. Олар қолдарды күйдіруі мүмкін, өйткені олар ыстық болады.
- Құзіретті органдар қолданылған ауаны шығаруға қатысты белгілеген ережелерін сақтаңыз (бұл ескерту түтін тартқышсыз пайдалануға тиісті емес).
- Құрылғыны жанарғыға кәстрөлді, терең емес кәстрөлді, т.б. қойғаннан кейін қосыңыз. Әйтпесе, қатты жылу өнімнің кейбір бөліктерінде деформацияны тудыруы мүмкін.
- Кәстрөлді, терең емес кәстрөлді, т.б. алу ал-

дында жанарғыны өшіріңіз.

- Жанарғыда ыстық майды қалдырмаңыз. Ыстық май бар терең емес кәстрөлдер өзіндік тұтануға әкелуі мүмкін.
- Перделерге және қақпақтарға назар аударыңыз, өйткені қуырылған картоп сияқты тамақты әзірлеу кезінде май өртенуі мүмкін.
- Май сүзгісін кемінде ай сайын ауыстырып тұру керек. Көміртектік сүзгіні кемінде 3 ай сайын ауыстырып тұру керек.
- Өнімді пайдаланушы нұсқаулығына сай тазалау керек. Тазалау пайдаланушы нұсқаулығына сай орындалмаса, өрт қаупі болуы мүмкін.
- Ағымдағы сүзгінің орнына өртке төзімді емес сүзу материалдарын пайдаланбаңыз.

1 Қауіпсіздік және қоршаған орта туралы маңызды нұсқаулар

- Тек түпнұсқалық бөлшектерді немесе өндіруші ұсынған бөлшектерді пайдаланыңыз.
 - Өнімді сүзгісіз қоспаңыз және өнім жұмыс істеп тұрғанда сүзгілерді алмаңыз.
 - Өрт басталған жағдайда, өнімнің және әзірлеу құрылғыларының қуатын өшіріңіз.
 - Өрт басталған жағдайда, жалынды жабыңыз және өртті сөндіру үшін суды ешқашан пайдаланбаңыз.
 - Әр тазалау алдында және құрылғы пайдаланылып жатпағанда, құрылғыны розеткадан ажыратыңыз.
 - Электр жанарғыға арналған ауа сорғыш және электр тогынан басқа энергия түрінен жұмыс істейтін құрылғылар бір уақытта жұмыс істегенде, қоршаған ортадағы теріс қысым 4 Па (4 x 10 бар) мәнінен аспауы керек.
 - Құрылғы пайдаланылып жатқан қоршаған ортада, бөлме жылытқышы сияқты майдан немесе газдан жұмыс істеп жатқан құрылғылардың қолданылған ауасын толығымен оқшаулау керек немесе құрылғы герметикалық болуы керек.
 - Түтін тартқышты жалғағанда, диаметрі 120 немесе 150 мм құбырларды пайдаланыңыз. Құбыр қосылымы мүмкіндігінше қысқа болуы және мүмкіндігінше азырақ буындары болуы керек.
 - Тұншығу қаупі бар! Бүкіл орауыш материалдарын балалардан аулақ ұстаңыз.
- САҚТЫҚ ЕСКЕРТУ:** Әзірлеу құрылғыларымен бірге пайдаланғанда қол жеткізуге болатын бөліктер қызуы мүмкін.

1 Қауіпсіздік және қоршаған орта туралы маңызды нұсқаулар

- Өнім шығысын басқа түтінді қамтитын ауа арналарына жалғамау керек.
- Электр жанарғыға арналған ауа сорғыш газбен немесе басқа отындармен жұмыс істетімін құрылғылармен бір уақытта пайдаланылғанда, бөлмедегі желдету жеткіліксіз болуы мүмкін (бұл тек ауаны бөлмеге қайтадан шығаратын құрылғыларға қатысты емес болуы мүмкін).
- Өнімге қойылған заттар құлауы мүмкін. Өнімге ешбір заттарды қоймаңыз.
- Өнім астында фламбе жасамаңыз.

ЕСКЕРТУ: Ауа сорғышты орнату алдында қорғағыш үлдірлерді алыңыз.

- Жұмыс істеп тұрғанында ауа сорғыштың астында жоғары ашық жалындарды ешқашан қалдырмаңыз

- Пайдалану кезінде терең қуырма ыдыстарды үздіксіз бақылау керек: қызып кеткен май жануы мүмкін.

1.2 WEEE директивасының талаптарына сәйкестік және қоқыс өнімді қоқысқа лақтыру:

Бұл EU WEEE директивасының (2012/19/EU) талаптарына сай. Бұл өнімде қоқыс электр және электрондық жабдық (WEEE) жіктеу таңбасы бар.



Бұл таңба осы өнімді қызмет көрсету мерзімі аяқталғанда басқа тұрмыстық қоқыспен бірге қоқысқа лақтырмау керектігін көрсетеді.

Пайдаланылған құрылғыны электр және электрондық құрылғыларды қайта өңдеуге арналған ресми жинау орнына қайтару керек. Бұл жинау жүйелерін табу үшін жергілікті органдарға немесе өнім сатып алынған дүкенге хабарласыңыз. Өр отбасы ескі құрылғыны қалпына келтіруде және қайта өңдеуде маңызды рөл ойнайды. Пайдаланылған құрылғыны тиісті түрде қоқысқа лақтыру қоршаған ортаға және адамдардың денсаулығына ықтимал теріс салдарларды болдырмайды.

1 Қауіпсіздік және қоршаған орта туралы маңызды нұсқаулар

1.3 RoHS директивасының талаптарына сәйкестік

Сіз сатып алған өнім EU RoHS директивасының (2011/65/EU) талаптарына сай. Ол директивада көрсетілген зиянды және тыйым салынған материалдарды қамтымайды.

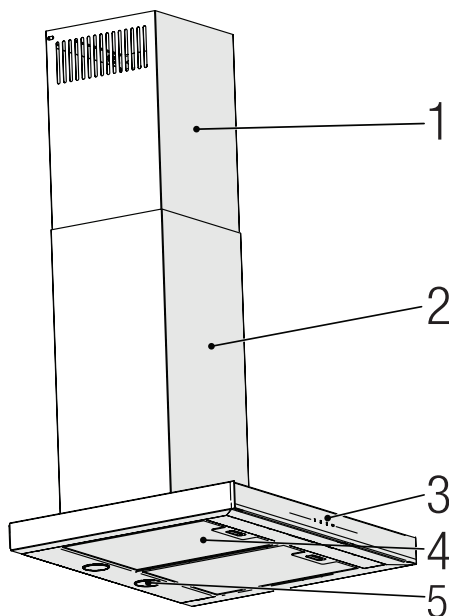
1.4 Орауыш туралы ақпарат



Өнімнің орауыш материалдары ұлттық қоршаған орта туралы ережелерге сай қайта өңдеуге болатын материалдардан өндірілген. Орауыш материалдарын тұрмыстық немесе басқа қоқыстармен бірге қоқысқа лақтырмаңыз. Оларды жергілікті органдар белгілеген орауыш материалдарды жинау орындарына апарыңыз.

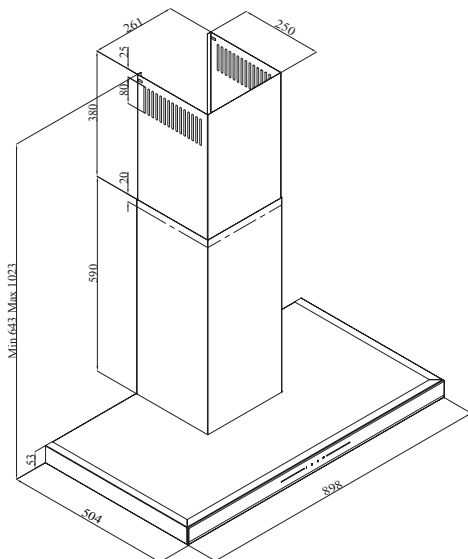
2 Жалпы көрініс

2.1 Шолу



(1 сурет)

1. Ішкі мұржа
2. Сыртқы мұржа
3. Басқару тақтасы
4. Май тұтқыш сүзгі
5. Жарықтандыру



(2 сурет)

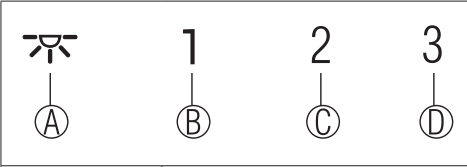
ВНСВ 93640 В
ВНСВ 93640 ВН

2.2 Техникалық деректер

Үлгі	ВНСВ 93640 В	ВНСВ 93640 ВН
Қуат кернеуі және жиілік	220-240 В ~ 50 Гц	
Шамның қуаты	2 x 3 Вт	
Қозғалтқыш қуаты	210 Вт	
Ағын жылдамдығы – 3. Деңгей	645 м³/сағ	
Қозғалтқышты оқшаулау класы	F класы	
Оқшаулау класы	I класы	

3 Құрылғыны пайдалану

3.1 Құрылғыны басқару

	
КІЛТ	ФУНКЦИЯ
A : Жарықты қосу / өшіру	Осы батырманы басу арқылы тамақ дайындау алаңын жарықтандыруға болады. Жарықты өшіру үшін батырманы қайта басыңыз.
B : 1. Кезең батырмасы	Құрылғы 1-ші жылдамдықта қосылады. Құрылғыны өшіру үшін осы батырманы қайта басқан кезде экранның жылдамдық деңгейі сәнетін болады.
C : 2. Кезең батырмасы	Құрылғы 2-ші жылдамдықта қосылады. Құрылғыны өшіру үшін осы батырманы қайта басқан кезде экранның жылдамдық деңгейі сәнетін болады.
D : 3-ші кезең батырмасы	Құрылғы 3-ші жылдамдықта қосылады. Құрылғыны өшіру үшін осы батырманы қайта басқан кезде экранның жылдамдық деңгейі сәнетін болады.

3.2 Энергияны тиімді пайдалану

- Құрылғыны пайдалану кезінде энергияны үнемдеу үшін жылдамдық параметрлерін бұмен иіс қарқындылығына сәйкес реттеңіз.
- Қалыпты жағдайда төмен жылдамдықты (1-2) және қарқынды иіс пен бұ үшін жоғары жылдамдықты (3) пайдаланыңыз.

- Ас үй түтін сорғысындағы шамдар тамақ дайындау алаңын жарықтандыруға арналған.
- Шамдарды қоршаған ортаны жарықтандыру үшін пайдалану энергияның қажетсіз шығынына және жарықтың жеткіліксіздігіне әкеліп соғады.

3.3 Ас үй түтін сорғысын басқару

- Сіздің құрылғыңызда әртүрлі айналу жылдамдығы бар қозғалтқыш орнатылған.
- Өнімділікті арттыру үшін қалыпты жағдайда төмен жылдамдықты және күшті иістер мен қарқынды булану жағдайында жоғары жылдамдықты қолдануды ұсынамыз.
- Қажетті жылдамдықты орнату батырмасын басу арқылы құрылғыны іске қосуға болады. (B, C, D)
- Тамақ дайындау алаңын шамды (A) басу арқылы жарықтандыруға болады.

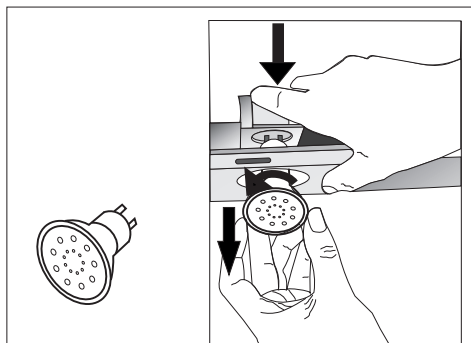
3.4 Автоматты тоқтату

Сіздің құрылғыңыз «Автоматты түрде тоқтату» функциясымен жабдықталған, бұл оны аздап желдетуге, қоршаған ортадан жағымсыз иістер мен түтінді кетіруге және тамақ дайындау аяқталғаннан кейін, автоматты түрде өшіруге мүмкіндік береді. «Автоматты түрде тоқтату» функциясын қосу үшін басқару тақтасындағы кез-келген жылдамдық кезеңінің (B, C, D) батырмасын 2 секундтан артық басып тұрыңыз; 15 минуттық таймер функциясы іске қосылуы керек. «Автоматты түрде тоқтату» функция-

3 Құрылғыны пайдалану

сы белсендірілген кезде, дәл сол жылдамдық батырмасын басу автоматты түрде тоқтату функциясын өшіреді және құрылғының қозғалтқышы тоқтайды. Бұл функция әртүрлі жылдамдық кезеңдері арасында ауысқан кезде өшіріледі. Егер сіз құрылғының автоматты түрде тоқтағанын қаласаңыз, автоматты түрде тоқтату функциясын қайта қосуыңыз керек.

3.5 Шамды ауыстыру



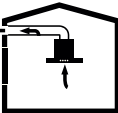
(3 сурет)

Құрылғының электрлік қосылымдарын реттеңіз. Сіздің құрылғыңызда 3 Вт жарық диодты шамы қолданылады. Шамдарды ауыстыру үшін артқы жағындағы ұстағышты қаттырақ басыңыз, оны сағат тіліне қарсы бұрап, төмен қарай алыңыз. Жаңа шамдарды орнату үшін жоғарыда аталған әрекетті кері ретпен орындаңыз (3 сурет).

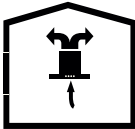
Шам	
Шам қуаты	3 Вт
Ұстағыш / Ұяшық	GZ 10
Шам кернеуі	220 - 240 В
Көлем	53 x 50 мм
ILCOS коды	DR/F3-220-240-GZ10-50-53
Жарық ағыны	260 лм
Корреляцияланған түс температурасы	3000 К

Бұл құрылғыда "F" энергия тиімділік класына жататын жарық көзі бар.

3.6 Мұржаны қосу жұмыстары

-  Түтін ас үй сорғысындағы байланыс басына бекітілген түтін мұржасы арқылы шығарылады.
- Мұржаның диаметрі байланыстырушы сақинаның диаметріне сәйкес келуі керек. Көлденең қалыпта ауа бөлмеден оңай шығып кетуі үшін мұржа аздап жоғарыға (шамамен 10°) иілген болуы керек.

3.7 Мұржаны қоспай пайдалану

-  Ауа көміртек сүзгісі арқылы сүзіледі және бөлмеде қайта циркуляцияланады. Үйде мұржаны

3 Құрылғыны пайдалану

пайдалану мүмкін болмаған кезде көміртек сүзгісі қолданылады.

- Мұржасыз пайдаланған кезде, мұржаның адаптерінің ішіндегі клапандарды алып тастаңыз.
- Май тұтқыш алюминий сүзгісін алып тастаңыз. Көмір сүзгісін орнату үшін сүзгіні желдеткіш корпусының екі жағындағы пластикалық бөліктің орталығына қарай бағыттап, шығыңқы жерлерге орнатыңыз. Оны оңға немесе солға бұру арқылы қатайтыңыз.
- Май тұтқыш алюминий сүзгісін ауыстырыңыз.

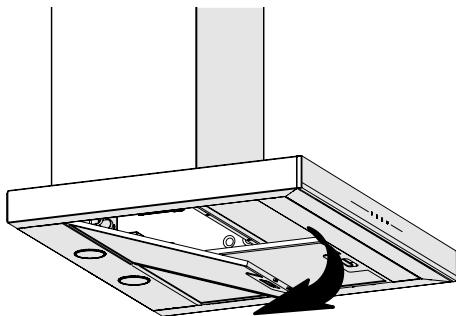
4 Тазалау және техникалық қызмет көрсету



Тазалау және техникалық қызмет көрсету алдында құрылғыны желіден ажыратыңыз немесе өшіріп тастаңыз.

4.1 Май тұтқыш сүзгіні тазалау

Май тұтқыш сүзгіні май бөлшектерін ауада ұстау үшін қолданылады. Май тұтқыш сүзгіні қайта тазалаудан кейін, ол түсін өзгертуі мүмкін. Бұл қалыпты жағдай және бұл үшін сүзгілерді алмастырудың қажеті жоқ.



(4 сурет)

- Май тұтқыш сүзгіні алға қарай итеріңіз.
- Содан кейін оны сәл төмен тартып, шығарып алыңыз (4 -сурет). Әйтпесе, сүзгіні майыстырып алуыңыз мүмкін. Май тұтқыш сүзгіні сұйық жуғыш затпен жуып, шайыңыз, жоғарыда көрсетілген әрекеттерді кері ретпен орындап, май ұстайтын сүзгіні орнына қойыңыз. Бұл май ұстайтын сүзгілер май бөлшектерін ауада ұстау үшін қолданылады.

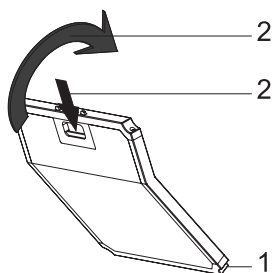


Май ұстайтын сүзгіні кір жуғыш машинада жууға болады.



АБАЙЛАҢЫЗ: Қалыпты жағдайда қолдану кезінде май ұстайтын сүзгіні айына бір рет тазалап тұрыңыз.

4.2 Көмір сүзгілерін ауыстыру



(5 сурет)

- Сіз сатып алған құрылғы көміртек сүзгілерімен бірге пайдалануға жарамды.
- Май тұтқыш сүзгіні алыңыз (4 сурет).
- Көміртек сүзгісінің түбін қозғалтқыш корпусына орнатыңыз (5 сурет).
- Көміртек сүзгісінің тілін басып, оны алға қарай итеріңіз, содан кейін көміртек сүзгісінің тілдері қосылып, құлыпталып тұрғанына көз жеткізіңіз. (5 сурет).
- Май тұтқыш сүзгіні бекітіңіз.



САҚТЫҚ ЕСКЕРТУ

- Көміртек сүзгіні ешқашан жууға болмайды.
- Көміртек сүзгілерді әр 3 ай сайын ауыстырып отырыңыз.
- Сіз көміртек сүзгіні уәкілетті қызмет көрсету орталықтарынан ала аласыз.

5 Құрылғыны орнату



ЕСКЕРТУ: Орнатуды бастамас бұрын пайдаланушы нұсқаулығындағы қауіпсіздік туралы ақпаратпен танысыңыз.

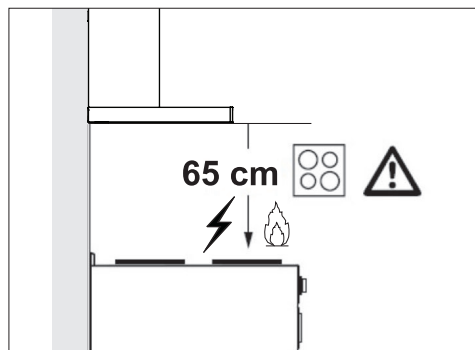


ЕСКЕРТУ: Бұрандалармен және тұрақтандырғыштармен орнату кезінде осы нұсқаулықты орындамау электр тогының соғуына әкелуі мүмкін.

Ас үй түтін сорғысын орнату үшін жақын жердегі уәкілетті қызмет көрсету орталығына хабарласыңыз.

Ас үй түтін сорғысын орнату және қуат көзіне қосу орнын дайындау жауапкершілігі тапсырыс берушіге жүктеледі.

5.1 Құрылғыны орналастыру

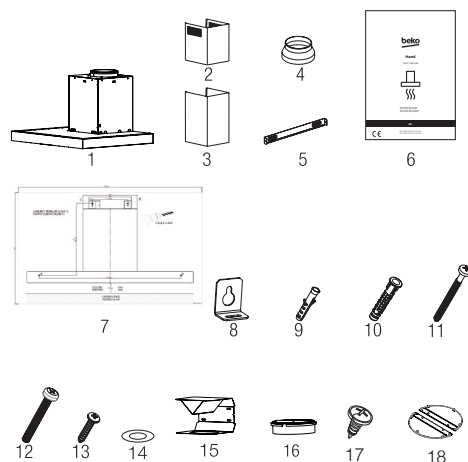


(6 сурет)

- Плита мен ас үй түтін сорғысының арасындағы арақашықтық орнатылғанға дейін ескерілуі керек. Бұл арақашықтық 65 см-ді құрауы керек (6 сурет.).
- Арақашықтық газ плиталарына арналған тор бетінен,

- электр плиталарына арналған шыны бетінен бастап өлшенуі тиіс.

5.2 Орнатылатын керек-жарақтар



1. Өнім
2. Ішкі мұржа
3. Сыртқы мұржа
4. Ø150/120 мм пластикалық түтін адаптері
5. Мұржа қосылымы пластинасы
6. Пайдаланушы нұсқаулығы
7. Құрастыру үлгісі
8. 2x ілгек пластиналары
9. 2x Ø6 мм пластикалық дюбель
10. 4x Ø10 мм пластикалық дюбель
11. 4x5.5x60 қабырғаға бекіту бұрандасы
12. 2x M5x35 аспалы пластинаны жалғауға арналған бұранда
13. 2x 3,9x22 мұржаның байланыстырушы пластинасының бұрандасы
14. 2x M4 шайба

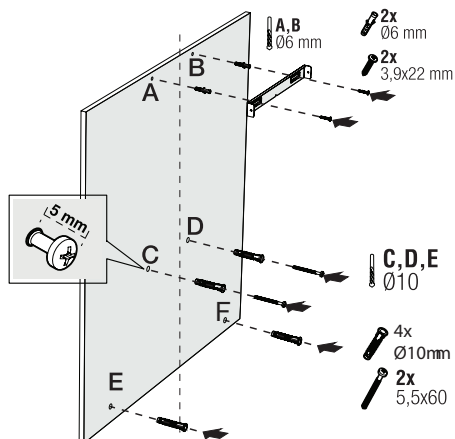
5 Құрылғыны орнату

15. Ауа қалқасы
16. Пластикалық адаптер (ауа бұрғыш)
17. 2x 3,5x9,5 мұржаны байланыстырушы пластинасының бұрандасы
18. Мұржа бекіткіші

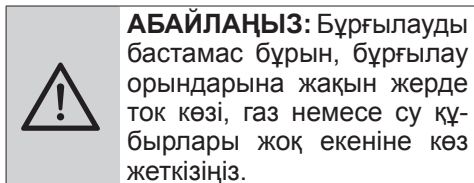
Ас үй түтін сорғысын орнатуға қолайлы орын дайындау үшін қажетті ақпарат төменде келтірілген.

5.3 Қабырғаға орнату

- Қабырға тегіс, түзу және ауыр салмақты көтере алатындай жеткілікті берік болуы керек.
- Бұрғылау саңылауларының тереңдігі болттардың ұзындығына сәйкес келуі керек.
- Бекітілген болттар мен дюбельдер кірпіш қабырғаларға ілуге жарамды болып табылады. Басқа құрылыс материалдары үшін (мысалы, гипсокартон, тақталар, кеукеті бетон) ыңғайлы бекіту дюбельдері мен сомындар қолданылуы керек.



(7 сурет)

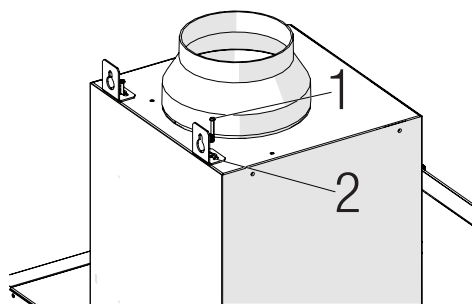


Төбенің ортаңғы сызығын ас үй түтін сорғысының төменгі жиегіне перпендикуляр орнатыңыз.

Құрастыру сызбасын қабырғаға бекітіңіз. А және В нүктелері үшін ас үй түтін сорғысының максималды өлшемдерін сілтеме ретінде алып, Ø6 мм бұрғылаумен белгіленген А және В нүктелерін бұрғылаңыз және Ø6 мм пластикалық бұрандаларды қағыңыз. 2 дана 3,9x22 бұрандаларымен мұржаның байланыстырушы пластиналарын қабырғаға бекітіңіз (8 сурет).

Ас үй түтін сорғысының корпусын орнату үшін орнату үлгісінде көрсетілген С, D, E, F нүктелерін Ø10мм бұрғымен бұрғылаңыз және осы нүктелерге Ø10мм пластикалық дюбельдерді қағыңыз (8 сурет).

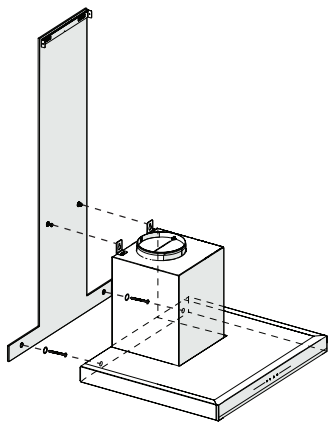
Бұранданың басы мен қабырға арасында 5 мм саңылауы бар С және D нүктелеріне 5,5x60 бекіту бұрандаларының 2 бөлігін орнатыңыз (8 сурет).



(8 сурет)

5 Құрылғыны орнату

Аспалы тақталардың екі бөлігін М5х35 бекіту бұрандаларымен ас үй түтін сорғысының корпусына орнатыңыз (8 сурет).



(9 сурет)

Ас үй түтін сорғысын корпусынан ұстап тұрып, оны қабырғаға бекіту бұрандаларына орнатып, бұрандаларды қатайтыңыз (9 сурет).

М4 шайбаларын 5,5х60 аспалы бұрандаларына орнатыңыз. Ас үй түтін сорғысын қабырғаға 5,5х60 бұрандаларымен құрылғының ішкі жағындағы саңылау арқылы бекітіңіз (9 сурет).

5.4 Мұржамен байланыстыру

Егер сіз Ø 120/150 мм пластикалық мұржалық адаптерді қолданғыңыз келсе, құбырдың бір ұшын осы адаптерге, егер оны қолданғыңыз келмесе, өнімнің тікелей шығу көзіне байланыстырыңыз. Құбырдың екінші ұшын мұржаңызбен байланыстырыңыз. Құрылғы толық қуатта жұмыс істеген кезде бұл екі қосылымның ажырап кетпейтіндей берік орнатылғанына көз жеткізіңіз. Мұржаның ішіндегі қалқалар қысқыштармен тығыздалған

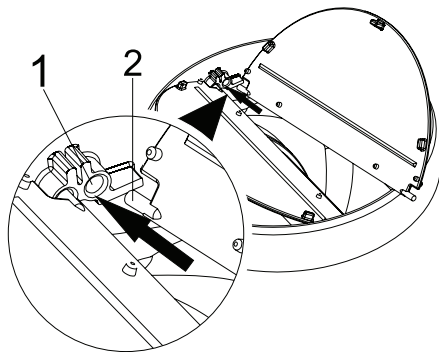
кезде іске қосылатындығына көз жеткізіңіз. Адаптердің сыртынан мұржаның байланыстырушы каналын қосыңыз (11/а сурет). Егер байланыстырушы канал адаптердің ішіне орнатылса, ауа сорылмауы керек, өйткені ауаның қайтуына жол бермейтін мұржа қалқасы жабық күйде қалады (11/б сурет). Құбырлардың қосылу ұзындығы мен бұрылыстар саны мүмкіндігінше аз болуы керек.

А : Мұржаның шығу құбыры

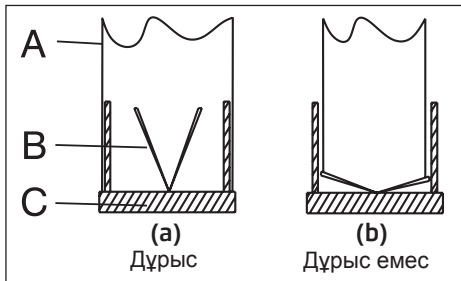
В : Қайтпайтын қалқалар

С : Пластикалық мұржа

Егер құрылғы жұмыс істемесе, клапандар жабық болады және сыртқы иістер мен шаңдардың енуіне жол бермейді.



(10 сурет)



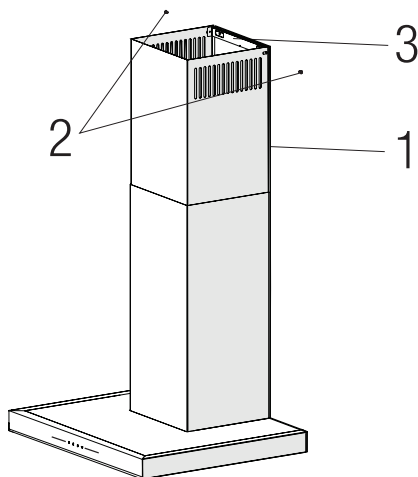
(11 сурет)

5 Құрылғыны орнату

5.5 Ас үй түтін сорғысын мұржаға орнату

Мұржаны орнатуды бастамас бұрын, ас үй түтін сорғысын қуат көзіне қосыңыз. Мұржа тақтасын корпусқа бекітіңіз.

Қабырғаға жоғарғы сыртқы жиектерінен бекітілген мұржаның монтаж тақтасына мұржа тақтасын орнатыңыз (12 сурет).



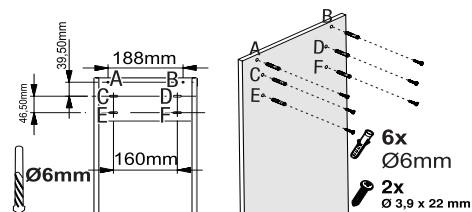
(12 сурет)

1. Ішкі мұржа
2. 3,5x9,5 бұрандасы
3. Мұржаның байланыстырушы тақтасы

5.6 Ауа қалқасын орнату (BNCB 93640 BH)

Көміртек сүзгімен пайдаланған кезде, құрылғыңыздағы түтін мұржасында орналасқан тесілген тесіктен көміртек сүзгімен тазартылған ауаны қайта шығару үшін ауа бөлімі қамтамасыз етіледі.

Ауа қалқанын өменде көрсетілгендей жинаңыз.



(13 сурет)

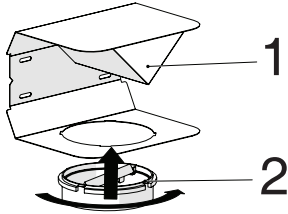
Мұржаның байланыстырушы тақтасының ортасында қойынды бар. Осы қойындының ортаңғы нүктесін қабырғаға перпендикуляр сызылған сызыққа қойыңыз. Келденеңінен тураңыз және байланыстырушы тақта орнатылатын саңылауларды қаламмен белгілеңіз (13/A, B сурет).

Белгіленген нүктелерді Ø6 мм бұрандаларымен бұрғылаңыз және екі Ø6 мм пластикалық дюбельдерді бұрғыланған тесіктерге енгізіңіз (13/A, B сурет).

Мұржаның байланыстырушы тақтасын қабырғаға 3,9x22 бұрандалармен бекітіңіз (13/A, B сурет).

Ауа қалқасын құрастыру үшін Ø6 мм бұрғыларымен C, D, E, F нүктелерін және Ø6 мм пластикалық дюбельдерді орнатыңыз (13 сурет).

5 Құрылғыны орнату

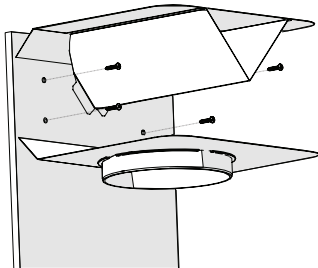


(14 сурет)

1. Ауа қалқасы

2. Пластикалық мұржа

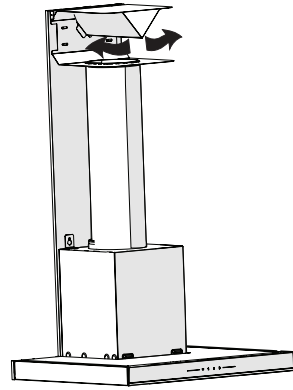
Жинаққа кіретін пластикалық мұржалық адаптерді ауа қалқасына қарай бекітіңіз. Мұржаның адаптерін көрсеткі бағыттаған жаққа қарай бұрап бекітіңіз (14 сурет).



(15 сурет)

Сіз дайындаған С, D, E, F нүктелерінен 3,9 x 22 бұрандалармен ауа қалқаларының тобын жинап алыңыз (13 сурет).

Ас үй түтін сорғысының корпусын жинаңыз (7 сурет).



(16 сурет)

1. Алюминийден жасалған ауа шығаратын құбыр

Ауа шығатын құбырлар жинағын жасаңыз (16 сурет).



Алюминий құбырының бұрылыстары мен иілулері ауа сору қуатын азайтуға әкелетіндіктен, мүмкіндігінше бұрылыстар мен иілуді пайдаланбаңыз.

Ас үй түтін сорғысының мұржаларын орнатыңыз (12 сурет)

6 Ақаулықтарды жою

Ақаулықтарды жою	Себеп	Анықтама
Өнім жұмыс істемейді.	Сақтандырғышты тексеріңіз.	Сақтандырғыш жабық болуы мүмкін, оны қосыңыз.
Өнім жұмыс істемейді.	Электр қосылымды тексеріңіз.	Желілік кернеу 220-240 В арасында болуы керек.
Өнім жұмыс істемейді.	Электр қосылымды тексеріңіз.	Асүйдегі басқа өнімдер жұмыс істеп тұрғанын тексеріңіз.
Жарықтандыру шамы жұмыс істемейді.	Электр қосылымды тексеріңіз.	Желілік кернеу 220-240 В арасында болуы керек.
Жарықтандыру шамы жұмыс істемейді.	Шам ауыстырып-қосқышын тексеріңіз.	Шам ауыстырып-қосқышы қосулы күйінде болуы керек.
Жарықтандыру шамы жұмыс істемейді.	Шамдарды тексеріңіз.	Өнім шамдары ақаулы болмауы керек.
Өнімнің ауа кірісі нашар.	Алюминий сүзгіні тексеріңіз.	Қалыпты жағдайларда алюминий май сүзгісін кемінде айына бір рет тазалау керек.
Өнімнің ауа кірісі нашар.	Түтіндікті тексеріңіз.	Түтіндік қосулы күйінде болуы керек.
Өнімнің ауа кірісі нашар.	Көміртектік сүзгіні тексеріңіз.	Көміртектік сүзгісі бар өнімдер үшін сүзгіні әдетте 3 ай сайын ауыстырып тұру керек.

- если изделие, предназначенное для личных (бытовых, семейных) нужд, использовалось для осуществления предпринимательской деятельности, а также в иных целях, не соответствующих его прямому назначению;
 - в случае нарушения правил и условий эксплуатации, установки изделия, изложенных в инструкции по эксплуатации и инструкции по установке;
 - если изделие имеет следы попытки неквалифицированного ремонта;
 - если дефект вызван изменением конструкции или схемы изделия, не предусмотренные изготовителем;
 - если дефект вызван действием непреодолимых сил, несчастными случаями, умышленными или неосторожными действиями потребителя или третьих лиц;
 - если обнаружены повреждения, вызванные попаданием внутрь изделия посторонних предметов, веществ, жидкостей, насекомых;
 - использование неоригинальных расходных материалов автоматически лишает Вас гарантии изготовителя.
5. Гарантийные обязательства и бесплатное сервисное обслуживание не распространяются на следующие недостатки изделия:
- механические повреждения, возникшие после передачи товара потребителю;
 - повреждения, вызванные несоответствием стандартам параметров питающих, телекоммуникационных, кабельных сетей и других подобных внешних факторов;
 - повреждения, вызванные использованием нестандартных и (или) некачественных расходных материалов, принадлежностей, запасных частей;
6. В случае несовершеного (стусия больше чем один месяц) извещения о выявленных недостатках изделия, изготовитель оставляет за собой право отказаться полностью или частично от удовлетворения предъявляемых требований (ст. 436 ГК РК).

НАЗАР АУДАРЫҢЫЗДАР!

Үш контактілі желілік айыры бар бұйым, міндетті түрде, жерге тұйықталуы тиіс. **ВНИМАНИЕ!** Изделие, имеющее трехконтактную сетевую вилку, обязательно должно быть заземлено.

Қазақстан Республикасы аумағында өрекет етеді. Действует на территории Республики Казахстан.

Покупатель _____ Фамилия, Имя, Отчество	Покупатель _____ Фамилия, Имя, Отчество	Покупатель _____ Фамилия, Имя, Отчество
Адрес _____	Адрес _____	Адрес _____
Тел. _____	Тел. _____	Тел. _____
Дата ремонта _____	Дата ремонта _____	Дата ремонта _____
Серв. центр _____	Серв. центр _____	Серв. центр _____
Мастер _____	Мастер _____	Мастер _____
Фамилия, Имя, Отчество	Фамилия, Имя, Отчество	Фамилия, Имя, Отчество

Дата	Характер неисправности	Принятые меры

М.П. _____ Подпись ответственного лица _____



Қазақстан Республикасы аумағында өрекет етеді
Действует на территории Республики Казахстан

Адрес: 109004, Россия, Москва, ул. Станиславского д.21, стр.1
Телефоны: горячей линии **8-800-200-23-56**
(Звонок бесплатен на всей территории Республики Казахстан)

http://www.beiko.ru

Гарантийный талон № _____

Дата продажи _____	Серийный номер _____
Компания _____	Дата установки _____
Подпись продавца _____	Компания _____
ПЕЧАТЬ	Подпись мастера _____
	ПЕЧАТЬ

Покупатель _____ **Телефон** _____
Фамилия, Имя, Отчество

Изделие проверилось в присутствии покупателя, покупатель с условиями гарантии ознакомлен. Претензий к внешнему виду и комплектации не имею _____
Подпись Покупателя

! **Отрывные купоны гарантийного талона являются средством отчетности о выполнении сервисным центром гарантийных работ. Купон изымается из гарантийного талона после удовлетворения Ваших претензий.**

beiko	beiko	beiko
серия № _____	серия № _____	серия № _____
Дата продажи _____	Дата продажи _____	Дата продажи _____
ПЕЧАТЬ МАГАЗИНА	ПЕЧАТЬ МАГАЗИНА	ПЕЧАТЬ МАГАЗИНА

Құрметті Сатып алушы!

БЕКО сауда маркасының бұйымның тағдағаныңыз үшін алғыс білдіреміз.

БЕКО ір тұрмыстық техникаға тұтынушы тасыған күннен бастап 10 (он) жыл ресми қызмет көрсету мерзімін бөлігеді. Өзге тұрмыстық техникаға, теледидарларға, аудио-видео және радио аппаратураларына, тұрмыста қолдануға арналған, кондиционерлерге пайдалану үшіндеті нұсқаулықты ұстанған жағдайда, 5 (бес) жыл ресми қызмет көрсету мерзімін бөлігеді. БЕКО өнімдерінің жағары сапасын, беріктігі мен құрапсіздік дәрежесін ескерсек, өнімнің қызмет мерзімі ресми пайдалану мерзімінен өтеуір ұзаарды. Белгілі бір мемлекетке сатуға арналған БЕКО өнім сол мемлекеттің пайдалану жөніндегі талаптарына негізделіп отырып жасалған. Осыған кез жеткен үшін бұйым мен бұйымның орнандығы ресми белгілердің сәйкестігін тексеруіңізді сұраймыз. Егер қандай да бір сұрақтар туындайтын болса, Олзден міндетті түрде БЕКО қызмет көрсету орталығына хабарлауыңызды сұраймыз. Қызмет көрсету орталығының мекенжайы мен телефон нөмірлерін келіпдік талқылауны брілген қосымшалардан көре аласыз (Қазақстан Республикасы аумағында телефон қоғу тегі). Осы келіпдік талқылаумен БЕКО өзге де бұйымда кемшіліктер анықталған жағдайда, тұтынушының құқығын қорғау бойынша заңимен әрекет етілетіні тұтынушы талаптарын қанағаттандыру бойынша өзін міндеттемелерді қабылдауын растайды. Алайда, БЕКО компаниясы тұтынушы төменде аталған талаптарды орындамаған жағдайда келіпдіктен, сондай-ақ бұйымға теңі қызмет көрсетумен де тарту құқығын өзіне қалдырады. Келіпдік міндеттемелер мен теңі қызмет көрсету талаптары Тұтынушылардың құқықтарын қорғау жөніндегі заңнама аясында әрекет етеді.

Келіпдік міндеттемелер мен теңі қызмет көрсету талаптары:

1. Өндірушінің, келіпдік талаптары мен уәкілі етіпкен қызмет көрсету орталықтары ұсынатын теңі мағына және ҚР мемлекетінің Мемлекеттік Стандартына сәйкес сертифицициялаудан өткен мамлекеттерге таратылады.
2. Өндіруші БЕКО өнімдеріне төмендеп келіпдік мерзімін бөлігеді: ір тұрмыстық техника: тұтынушыға тасыған күннен бастап - 2 (екі) жыл, Өзге тұрмыстық техникаға, теледидарларға, аудио-видео және радио аппаратураларға, тұрмыста қолдануға арналған кондиционерлерге тұтынушыға тасыған күннен бастап - 1 (бір) жыл.
3. Егер бұйымның құрал-жабдықтары оның құрылысынан алуыстыру және бұйымды бөлшектеуге байланысты болмаса, төмендегі құрал-жабдықтарға келіпдік міндеттемелер таратылмайды.

Бұйымның барлық түрлері үшін:

- а) қышқан басқару пульттеріне, аккумуляторлы батареяларға, қоректендіу элементтеріне (батареяларға), қоректендіу блоктарының сыртқы бөліктеріне және қуат бергіш құрылымдарға;
- б) жалғыз кабельдерге, антенналарға және оларға арналған еткізгіштерге, құлаққаптарға, микрофондарға;
- в) бұйыммен бірге берілетін қаптарға, бөліктіктерге, тасымалдауға арналған ширүлдерға, монтажда құрылыстарға, аспаптарға, құжаттарға;

Төмендегілерді қоса алғанда:

- а) Тұтынушыларға: иіс сорғыштарға, ауа тазартқыштарға (биодезодораторларға), сүзгілерге;
- б) Қысқа тоқимыдай пештерге, табықшаларға, омақ ет қықтайтын ісіктерге, торларға, табықшаларға;
- в) Шаш сорғыштарға, түпкіктерге, шлангтерге, шөккаларға, қондырғыларға, шаң жинағыштарға, сүзгілерге;
4. Кондиционерлерге, ауа тазартқыштарға, сүзгілерге;
4. Өндіруші мынадай жағдайларда бұйымға келіпдік бермейді, және теңі қызмет көрсетпейді: і) жеке мұқтаждық үшін қажет болған бұйым (тұрмыстық, отбасылық), өндірістік қызметтеді іске асыру үшін және оның негізгі апаратынан қызметіне сәйкес келмейтін басқа да мақсаттарға қолданған жағдайда;
- б) пайдалану ережелері мен талаптарын, пайдалану жөніндегі нұсқаулықта және бұйымды орнату жөніндегі нұсқаулықта жазылған талаптарды бұзған жағдайда;
- в) Егер бұйымға рұқсат етілмеген жөндеу жұмыстарының ізі анықталса;
- г) бұйымның құрылысы мен сымсанында рұқсат етілмеген өзгерістер орын алса;
- д) Егер ақау ескерілмес күштің іс-әрекеті, шөккі және жағдайлармен, тұтынушының немесе үшінші тұлғаның қасақана немесе абайсыз іс-әрекетінің арқасында орын алса;
- е) Бұйымның ішіне басқа бір заттардың, сұйықтықтардың, шыбын-шіркейлердің түсіп кетуінен пайда болған зақымданулар табылса;
- ж) Тұтынушы болып саналмайтын шығын материалдарын қолдану Олзді автоматты түрде Өндіруші келіпдікпен алырады.

5. Төмендегі жағдайларда бұйымға келіпдік міндеттемелер таратылмайды және теңі сарнастық қызмет көрсетілмейді:

- а) Бұйымды тұтынушыға тасығаннан кейін пайда болған механикалық зақымдар;
- б) Қуат және телекоммуникациялық, кабельдік, желілер параметрлерінің дұрыс жұмыс істеуі (және немесе) стандарттарға сәйкес келмеуі) және осы сияқты өзге де сыртқы факторлардың салдарынан пайда болған бұзылулар;
- в) Стандарттарға сай келмейтін және (немесе) сапасыз шығыс материалдары, жабдықтар, қосалқы бөлшектер, қуат көзі элементтері, ақпаратты тасымалдаушылар қолданудан пайда болған бұзылулар;
6. Тұтынушы орын алған кемшіліктер жөнінде уақытлы (бір айда) нестам уақыт өткен жағдайда) хабарламаған жағдайда. Өндіруші Тұтынушының талаптарын толық немесе ішінара қанағаттандыра алмауы күйінен (ҚР АҚ 436-базб).

Уважаемый Покупатель!

Благотворный Вас за выбор изделия торговой марки БЕКО.

БЕКО устанавливает официальную срок службы на крупную бытовую технику 10 (десять) лет со дня передачи потребителю. На прочую бытовую технику, телевизоры, аудио-видео и радио аппаратуру, кондиционеры, предназначенные для использования в быту, устанавливается срок службы 5 (пять) лет, при условии соблюдения правил эксплуатации. Учитывая высокое качество, надежность и степень безопасности продукции БЕКО фактический срок эксплуатации может значительно превышать официальный. Вся продукция, предназначенная БЕКО для поставок в определенную страну, изготовлена с учетом условий эксплуатации этой страны. Чтобы убедиться в этом, просим Вас проверить наличие на изделии и упаковке официальных знаков соответствия. Если у Вас возникнут какие-либо проблемы, настоятельно рекомендуем Вам обратиться в уполномоченные сервисные центры БЕКО, адреса и телефоны которых Вы можете узнать из приложения к гарантийному талону или по телефону горячей линии (звонок бесплатный на всей территории Республики Казахстан). Данное гарантийное талончик (звонок подтверждает принятие на себя обязательств по удовлетворению требований потребителя, в случае обнаружения недостатков изделия. Однако БЕКО оставляет за собой право отказать как в гарантийном, так и бесплатном сервисном обслуживании изделия в случае несоблюдения изложенных ниже условий. Все условия гарантийных обязательств и бесплатного сервисного обслуживания действуют в рамках законодательства о защите прав потребителей.

Условия гарантийных обязательств и бесплатного сервисного обслуживания:

1. Гарантийные обязательства. Изготовителя и бесплатное сервисное обслуживание, предоставляемое уполномоченными сервисными центрами, Исполнителя, распространяется только на модели, предназначенные БЕКО для поставок и реализации на территории РК, приобретенные на территории РК и прошедшие сертификацию на соответствие ГОСТам РК.
2. Изготовитель устанавливает следующие гарантийные сроки на изделия БЕКО: Крупная бытовая техника: 2 (два) года со дня передачи потребителю. Прочая бытовая техника, телевизоры, аудио-видео радио аппаратура, кондиционеры, предназначенные для использования в быту – 1 (один) год со дня передачи потребителю.
3. Гарантийные обязательства не распространяются на перечисленные ниже принадлежности изделия, если их замена предусмотрена конструкцией и не связана с разборкой изделия.

Для нас виды использования:

- а) на тульды диспетчерского управления, аккумуляторные батареи, элементы питания (батарея), внешние блоки питания и зарядные устройства;
- б) соединительные кабели, антенны и периферия для них, наушники, микрофоны;
- в) чехлы, ремни, шнурки для переноски, монтажные приспособления, инструменты, документация, цено, прилагаемая к изделию.

Дополнительно для:

- а) холодильников, на поглотители запахов, очистители воздуха (биодезодораторы), фильтры;
- б) микроволновых печей: на тарелки, вертела, решетки, блюда;
- г) стиральных машин: на шланги, трубки, щетки, насадки, пылесборники, фильтры;
- д) кондиционеров, увлажнители воздуха, пылесосы;
4. Изготовитель не несет гарантийные обязательства и не производит бесплатное сервисное обслуживание изделия в случаях:

Arçelik A.Ş.
Karaağaç Caddesi No: 2-6, 34445,
Sütlüce, İstanbul, Türkiye

www.beko.com