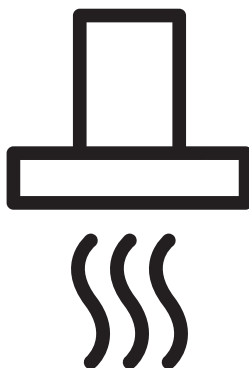




Cooker Hood

User Manual



BRH90CB

EN



01M-9202173200-4121-01

CONTENTS

1 Important safety and environmental instructions 4

- 1.1 General Safety4
- 1.2 Compliance with the WEEE Directive and Disposing of the Waste Product:.....7
- 1.3 Compliance with RoHS Directive7
- 1.4 Package Information8

2 General appearance 9

- 2.1 Overview9
- 2.2 Technical data.....9

3 Operation of the appliance 10

- 3.1 Controlling the appliance10
- 3.2 Efficient use in terms of energy saving10
- 3.3 Operation of the hood.....10
- 3.4 Replacement of lamp11
- 3.5 Operation with flue connection11
- 3.6 Operation without flue connection11

4 Cleaning and maintenance 12

- 4.1 Cleaning of the grease filter12
- 4.2 Replacement of carbon filters12

5 Installation of appliance 13

- 5.1 Position of the appliance13
- 5.2 Installation accessories.....13
- 5.3 Wall mounting.....14
- 5.4 Connecting to flue.....16
- 5.5 Mounting the chimney.....17
- 5.6 Storage17
- 5.7 Handling and transportation.....17

6 Troubleshooting 18

Please read this user manual first!

Dear Valued Customer,

Thank you for preferring this Beko appliance. We hope that you get the best results from your appliance which has been manufactured with high quality and state-of-the-art technology. For this reason, please read this entire user manual and all other accompanying documents carefully before using the appliance and keep it as a reference for future use. If you handover the appliance to someone else, give the user manual as well. Follow the instructions by paying attention to all the information and warnings in the user manual.

Remember that this user manual may also apply to other models. Differences between models are explicitly described in the manual.

Meanings of the Symbols

Following symbols are used in various sections of this user manual:



Important information and useful hints about usage.



WARNING: Warnings against dangerous situations concerning the security of life and property.



WARNING: Warning for danger of fire.



WARNING: Warning for electric shock.



This appliance has been produced in environmentally friendly facilities without harming the nature.

1 Important safety and environmental instructions

1.1 General Safety

Important Safety Instructions
Read Carefully And Keep For Future Reference
This section contains safety instructions that will help protect from risk of fire, electric shock, exposure to leak microwave energy, personal injury or property damage. Failure to follow these instructions shall void any warranty.

- Beko products comply with the applicable safety standards; therefore, in case of any damage on the appliance or power cable, it should be repaired or replaced by the dealer, service center or a specialist and authorized service alike to avoid any danger. Faulty or unqualified repair work may be dangerous and cause risk to the user.
- This appliance is intended to be used in household and similar applications such as:
 - Staff kitchen areas in shops, offices and other working environments;
 - Farm houses
 - By clients in hotels, and other residential type environments;
 - Bed and Breakfast type environments.
- Operate the appliance for its intended purpose only as described in this manual.
- The manufacturer cannot be held liable for damages resulting from improper installation or misuse of the product.
- This appliance can be used by children aged from 8 years and above and persons with reduced physical, sensory or mental capabilities or lack of experience and knowledge if they have been given supervision or instruction concerning use of the appliance in a safe way and understand the hazards involved.
- Children shall not be allowed play with the appliance. Cleaning and user maintenance shall not be made by children without supervision.

1 Important safety and environmental instructions

- The minimum distance between the supporting surface for the cooking vessels on the hob and the lowest part of your product must be at least 65 cm.
 - If the instructions for installation for the gas hob specify a greater distance, this has to be taken into account.
 - Make sure that your mains power supply complies with the information supplied on the rating plate of the appliance.
 - Never use the appliance if the power cable or the appliance itself is damaged.
 - Prevent damage to the power cable by not squeezing, bending, or rubbing it on sharp edges. Keep the power cable away from hot surfaces and naked flame.
 - Use the appliance with a grounded outlet only.
- WARNING:** Do not connect the appliance to the mains until the installation is fully complete.
- Place the appliance in a way so that the plug is always accessible.
 - Do not touch the lamps if they have operated for a long time. They can burn your hands since they will be hot.
 - Follow the regulations set out by competent authorities on discharge of the exhaust air (this warning is not applicable for use without flue).
 - Operate your appliance after putting a pot, pan etc. on the hob. Otherwise, high heat may cause deformation in some parts of your product.
 - Turn off the hob before taking the pot, pan etc. from it.
 - Do not leave hot oil on the hob. Pans with hot oil may cause self combustion.
 - Pay attention to your curtains and covers since oil may catch fire while cooking food such as fries.
 - Grease filter must be cleaned at least monthly. Carbon filter must be replaced at least every 3 months.

1 Important safety and environmental instructions

- Product shall be cleaned accordance with user manual. If cleaning was not carried out in accordance with user manual, there may be fire risk.
- Do not use non-fire-resistant filtering materials instead of the current filter.
- Only use the original parts or parts recommended by the manufacturer.
- Do not operate the product without the filter and do not remove the filters while the product is running.
- In the event of be started any flame, de-energize your product and cooking appliances.
- In the event of be started any flame, cover the flame and never use water to extinguish.
- Unplug the appliance before each cleaning and when the appliance is not in use.
- Be aware there can be health concerns by simultaneously operating vented rangehoods in an environment shared with other non-electric heating sources, such as an open or combustion fireplace or gas water heaters for example.
- The venting action of the rangehood can create a low pressure (maximum allowed negative pressure in this case is 4 Pa / 0.04 mbar) which can impede the standard venting operation of these other devices, such as smoke up a chimney. As such harmful fumes or low oxygen levels can occur within these rooms. To prevent this, it is recommended to provide another alternate source of ventilation to allow fresh air to be drawn into these rooms.
- In the environment where the appliance is being used, the exhaust of devices running on fuel oil or gas, such as room heater must be absolutely isolated or device must be hermetical type.
- When connecting the flue, use pipes with a diameter of 120 or 150 mm. Pipe connection must be as short as possible and have as few elbows as possible.
- Danger of choking! Keep all the packaging materials away from children.

1 Important safety and environmental instructions

CAUTION: Accessible parts may become hot when used with cooking appliances.

- The product outlet must not be connected to air channels that include other smoke.
- The ventilation in the room may be insufficient when the hood for electric hob is used simultaneously with the devices operating on gas or other fuels (this may not apply to appliances that only discharge the air back into the room).
- Objects placed on the product may fall. Do not place any objects on the product.
- Do not flambe under the your product.

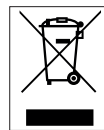
WARNING: Before installing the Hood, remove the protective films.

- Never leave high naked flames under the hood when it is in operation
- Deep fat fryers must be continuously monitored during use: overheated oil can burst into flames.
- Range Hoods and other cooking fume extractors may adversely

affect the safe operation of appliances burning gas or other fuels (including those in other rooms) due to lack of back flow of combustible gases. These gases can potentially result in carbon monoxide poisoning. After installation of a range hood or other cooking fume extractor, the operation of flued gas appliances should be tested by a competent person to ensure that back flow of combustion gases do not occur

1.2 Compliance with the WEEE Directive and Disposing of the Waste Product:

This product complies with EU WEEE Directive (2012/19/EU). This product bears a classification symbol for waste electrical and electronic equipment (WEEE).



This symbol indicates that this product shall not be disposed with other household wastes at the end of its service life. Used device must be returned to official collection point for recycling of electrical and electronic devices. To find these collection systems please contact to your local authorities or retailer where the product was purchased. Each household performs important role in recovering and recycling of old appliance. Appropriate disposal of used appliance helps prevent potential negative consequences for the environment and human health.

1 Important safety and environmental instructions

1.3 Compliance with RoHS Directive

The product you have purchased complies with EU RoHS Directive (2011/65/EU). It does not contain harmful and prohibited materials specified in the Directive.

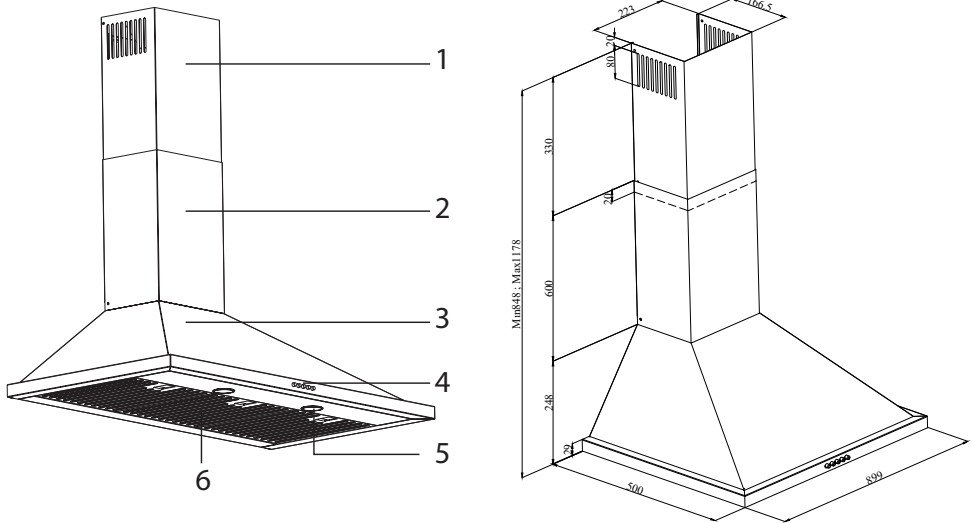
1.4 Package Information



Packaging materials of the product are manufactured from recyclable materials in accordance with our National Environment Regulations. Do not dispose of the packaging materials together with the domestic or other wastes. Take them to the packaging material collection points designated by the local authorities.

2 General appearance

2.1 Overview



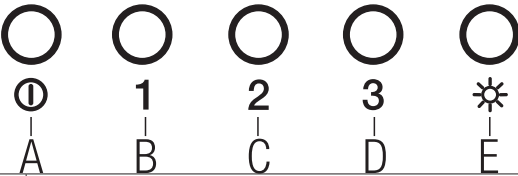
1. Inner chimney
2. Outer chimney
3. Body
4. Control panel
5. Lighting
6. Grease filter

2.2 Technical data

Model	BRH90CB
Supply voltage & frequency	220-240V ~ 50 Hz
Lamp power	2x3 W
Motor power	210 W
Flow rate – 3. Level	615 m ³ /h
Insulation class of motor	Class F
Insulation class	Class I

3 Operation of the appliance

3.1 Controlling the appliance

	
KEY	FUNCTION
A : On / Off	You may switch on and off all functions by pressing this button.
B : 1. Stage button	You may press this button to operate the appliance at the 1st speed stage.
C : 2. Stage button	You may press this button to operate the appliance at the 2nd speed stage.
D : 3. Stage button	You may press this button to operate the appliance at the 3rd speed stage.
E : Light On / Off	You can illuminate the cooking area by pressing this button. To turn of lighting press this button again.

3.2 Efficient use in terms of energy saving

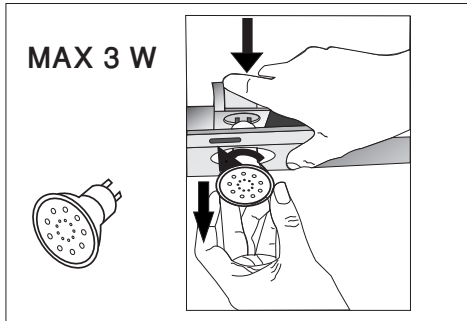
- When using your appliance, adjust the speed settings according to vapour and odour intensity, in order to save energy.
- Use low speeds (1-2) under normal conditions, and high speed (3) for intense odour and vapour.
- The lamps on the hood are placed for illuminating the cooking area.
- Using them for environmental lighting shall cause unnecessary energy expenditure and insufficient lighting.

3.3 Operation of the hood

- Your appliance contains a motor that has various speeds.
- For better performance, we recommend using low speeds under normal conditions and high speeds in cases of strong odours and intense vapour.
- You can start your appliance by pressing on the desired speed setting button. (B,C,D)
- You can illuminate the cooking area by pressing the lamp. (E)

3 Operation of the appliance

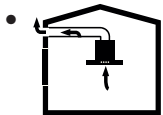
3.4 Replacement of lamp



Make the electrical connections of the appliance. Your appliance uses 3W spot LED lamp. For replacing the lamps, push downwards on the holder from its behind, turn it counter-clockwise, and take it out downwards. Apply the above operation in reverse to install new lamps.

Bulb	
Bulb power	3 W
Holder / Socket	GZ 10
Bulb voltage	220 - 240 V
Size	53x50 mm
ILCOS Code	DR/F3-220-240-GZ10-50-53

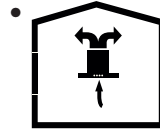
3.5 Operation with flue connection



Vapour is extracted through the flue duct, which is fastened to the connection head on the hood.

- The diameter of the flue duct must be the same as the connection ring. In horizontal settings, the pipe has to have a slight upward slope (around 10°) so that the air can exit the room easily.

3.6 Operation without flue connection



Air is filtered through the carbon filter and recirculated in the room. Carbon filter is used when it is impossible to use a flue in the house.

- In flueless use, remove the flaps inside the flue adapter.
- Remove the grease filter. To install the carbon filter, fit the filter to the tabs by centring it on the plastic piece on both sides of the fan body. Tighten it by turning right or left.
- Replace grease filter.

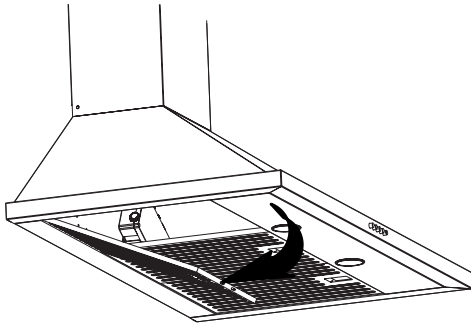
4 Cleaning and maintenance



Before cleaning and maintenance, unplug the product or turn off the switch.

4.1 Cleaning of the grease filter

Grease filter retains the oil particles in the air. Grease filters may change colour after repeated cleaning. This is normal and does not require replacement of filters.



- Push the grease filter lock forward.
- Then pull it slightly down and pull it out. Otherwise, you can bend the filter. Wash and rinse grease filters with liquid detergent and replace grease filters to their sockets by carrying out the steps specified above in reverse order. This filter retains the oil particles in the air.



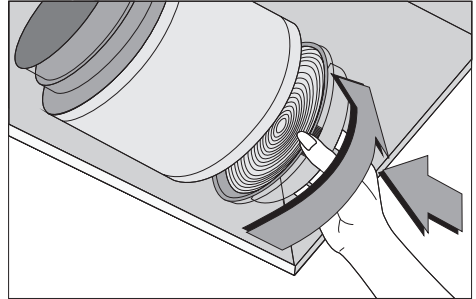
You may wash your grease filters in the dishwasher.



CAUTION: In case of normal use, clean your filter once in a month.

4.2 Replacement of carbon filters

Odour removing filters contain charcoal (Active carbon). Grease filters must be installed in the product, regardless of whether or not charcoal filters are used.



- Remove the grease filter.
- To remove the carbon filter, remove the carbon filter from its housing by rotating it counter-clockwise from the tab.
- Install the new carbon filter.
- Install the grease filter.

CAUTION



- Carbon filter shall never be washed.
- Replace carbon filters once every 3 months.
- You can obtain the carbon filter from the authorized services.

5 Installation of appliance



WARNING: Before starting the installation, read the safety information on User Manual.

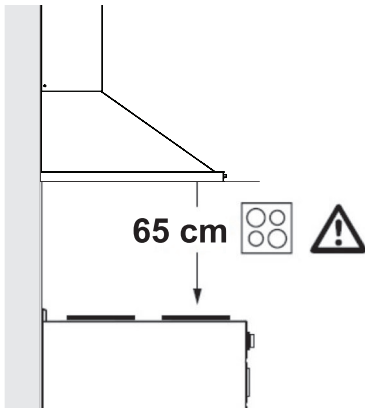


WARNING: Failure to install with screws and stabilizers in accordance with these instructions may result in electric shock.

For the installation of the hood, please contact the nearest Authorized Service.

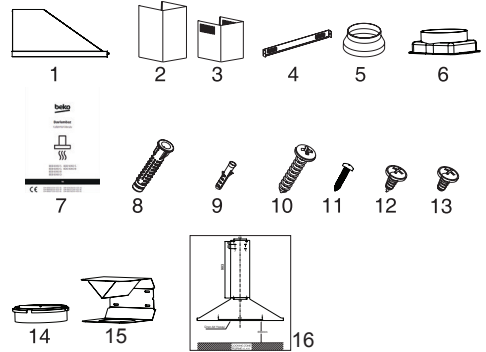
It is the customer's responsibility to prepare the location and electrical installation of the hood.

5.1 Position of the appliance



- Distance between the cooker and the cooker hood must be considered prior to assembly. This distance should be 65 cm.
- Distance must be measured from the surface of grate for gas cookers,
- From surface of glass for electric cookers.

5.2 Installation accessories



1. Product
2. Outer chimney
3. Inner chimney
4. Chimney connection plate
5. 150/120mm adapter
6. Ø150mm plastic flue
7. User manual
8. 4x Ø8mm plastic dowel
9. 6x Ø6mm plastic dowel
10. 4x 4.8x50 wall mount screw
11. 6x 3.9x22 chimney connection plate screw
12. 4x 3.5x9.5 flue connection screw
13. 2x 3.5x9.5 blunt screw
14. Ø120mm plastic flue adapter
15. Air baffle
16. Assembly template

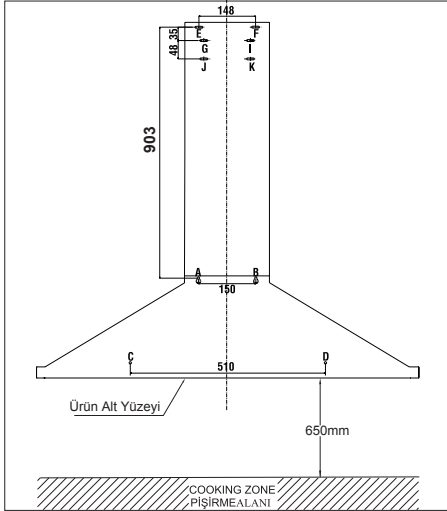
The information required to make the location suitable for the installation of the hood is given below.

5 Installation of appliance

5.3 Wall mounting



Use protective gloves and glasses while performing drilling and cutting operations.

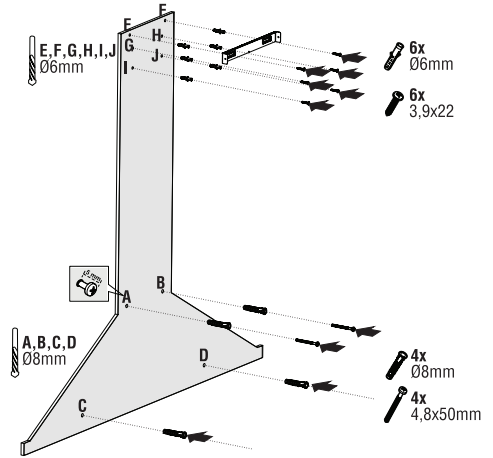


(Figure 1)

- It is important that the wall is straight, upright and has sufficient load-bearing capacity.
- Depth of drilling holes must comply with the length of bolts.
- The bolts and dowels provided are suitable for brick walls. In case of other constructions (e.g. plaster, board, porous concrete), it is necessary to use appropriate dowels and fixing bolts.



ATTENTION: Before drilling, ensure that there are no power, gas or water pipes in the close proximity of the drilling locations.



(Figure 2)

Draw a mid location line from the ceiling perpendicular to the lower edge of the cooker hood.

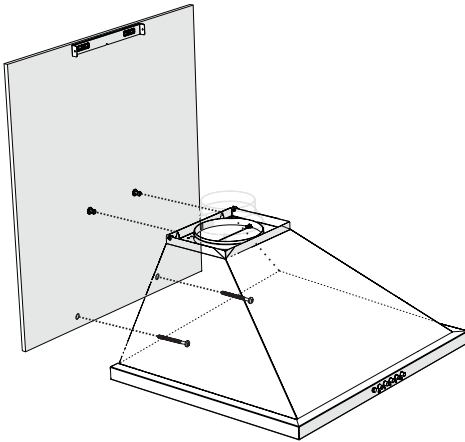
Take the location line you drew as a reference and mark points A,B,C,D,E,F,G,H,I,J according to the measurements in the assembly template (Figure 1).

Drill the marked points E,F,G,H,I,J with $\varnothing 6\text{mm}$ drill and insert 6 $\varnothing 6\text{mm}$ plastic dowels in the drilled holes. Fix the flue connection plate to the wall with 3.9x22 screws (Figure 2).

Drill the marked points A,B,C,D with $\varnothing 8\text{mm}$ drill and insert $\varnothing 8\text{mm}$ plastic dowels in the drilled holes in order to fix the cooker hood body (Figure 2).

Screw 2 4.8x50 suspension screws to points A, B with a clearance of 5 mm between the screw head and the wall (Figure 2).

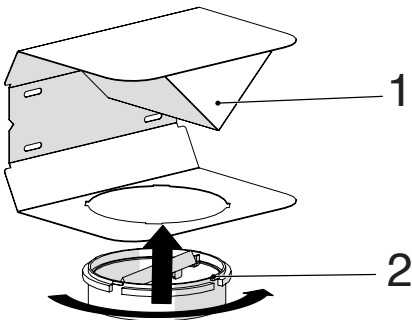
5 Installation of appliance



(Figure 3)

Hold the cooker hood by its body and place it on the suspension screws on the wall and tighten the screws (Figure 3).

Fix the cooker hood with 4.8x50 screws through the mounting holes (C, D) on the interior of the cooker hood (Figure 3).

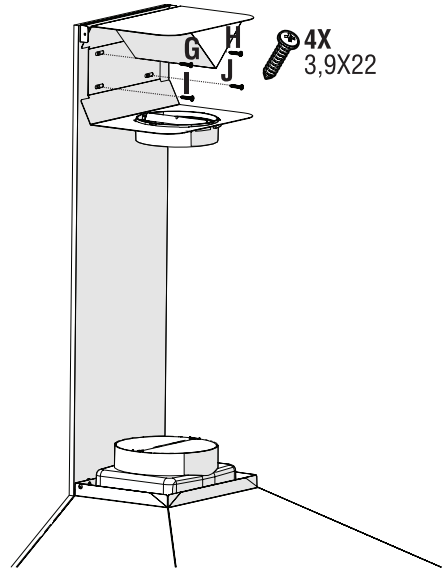


(Figure 4)

1. Air baffle

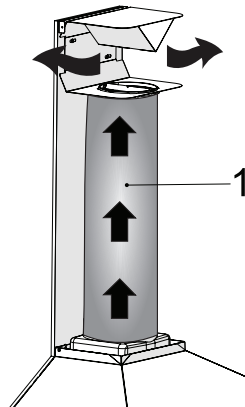
2. Ø120mm plastic flue

Fix the Ø120mm plastic flue adapter included in assembly accessories to the air baffle in the direction of the arrow. Lock the flue adapter by turning it in the direction of the arrow (Figure 6).



(Figure 5)

Assemble the air baffle group with 3.9 x 22 screws from point G, H, I, J that you have already prepared (Figure 5).



(Figure 6)

1. Aluminium air outlet pipe

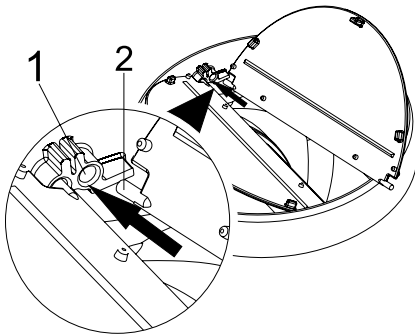
Assemble the 150/120 mm flue adapter to the air exit of the cooker hood. Assemble the air outlet pipe (Figure 6).

5 Installation of appliance



ATTENTION: Since twists and bends in the aluminium pipe will lead to reduction in the air suction power, avoid using twists and bends as much as possible.

5.4 Connecting to flue



(Figure 7)

1. Flap pin socket
2. Flap pin

Insert the plastic pin (Figure 7/area no. 2) on the pin socket on the motor exhaust (Figure 7/area no.1). Then bend the flap lightly to insert the other pin on the flap and insert the other pin to its socket.

If you are going to use the \varnothing 120/150 mm adapter, connect one end of the pipe to this adapter, if you are not going to use it, to the direct output on the product. Connect the other end of the pipe to your flue. Check that these two connections are tight enough so they will not come out when the appliance runs on full power. Ensure that the flaps inside the flue work when tightened with clamp. Connect the flue connection pipe outside the adapter (Figure 8/a). If the connection pipe is fitted inside the adapter, the flue flaps that prevent air return shall remain closed and air won't be sucked in (Figure 8/b).

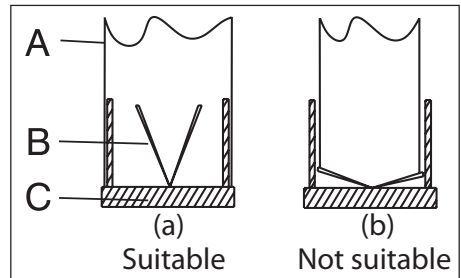
The length of the pipe connection as well as the number of elbows must be as minimum as possible.

A : Flue outlet pipe

B : Flue flaps

C : Plastic flue

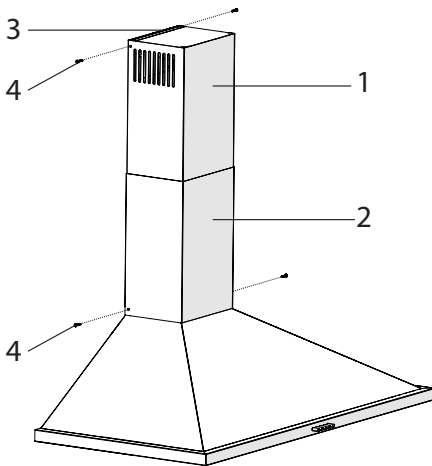
The flue flaps are closed then the appliance is not operating and prevent possible outside odour and dust from entering inside.



(Figure 8)

5 Installation of appliance

5.5 Mounting the chimney



(Figure 9)

1. Inner chimney
2. Outer chimney
3. Flue connection plate
4. 3.5x9.5 screw

Make the electrical connection of your product before starting flue installation. Insert the flue plates Around the body. Screw the outer flue to the outer flue connection openings which on the body (Figure 9). Extend the inner flue to the flue connection plate fixed to the wall from its upper outer edge, and screw (Figure 9).

5.6 Storage

- If you do not intend to use the appliance for a long time, please store it carefully.
- Please make sure that the appliance is unplugged, cooled down and totally dry.
- Store the appliance in a cool and dry place.
- Keep the appliance out of the reach of children

5.7 Handling and transportation

- During handling and transportation, carry the appliance in its original packaging. The packaging of the appliance protects it against physical damages.
- Do not place heavy loads on the appliance or the packaging. The appliance may be damaged.
- Dropping the appliance will render it non-operational or cause permanent damage.

6

Troubleshooting

Troubleshooting	Root Cause	Help
Appliance is not working.	Check your fuses.	Fuse may be blown, inspect and restore it.
Appliance is not working.	Check the electrical connection.	Mains voltage shall be between 220 and 240 V.
Appliance is not working.	Check the electrical connection.	Check if other appliance in your kitchen operate.
Illumination light does not operate.	Check the electrical connection.	Mains voltage shall be between 220 and 240 V.
Illumination light does not operate.	Inspect the lamp switch.	Lamp switch shall be at "on" position.
Illumination light does not operate.	Inspect the lamps.	The lamps of the appliance shall illuminate.
Air inlet of the appliance is inadequate.	Inspect the grease filter.	Under normal operating conditions, grease filter shall be cleaned at least once in a month.
Air inlet of the appliance is inadequate.	Check the air discharge flue.	The air discharge flue shall be at "on" position.
Air inlet of the appliance is inadequate.	Inspect the carbon filter.	The filters of the appliances with carbon filters shall be replaced once in every 3 months under normal conditions.

Arçelik A.Ş.
Karaağaç Caddesi No: 2-6, 34445,
Sütlüce, İstanbul, Türkiye

www.beko.com