



Built-in Hob

User Manual

Einbau-Kochfeld

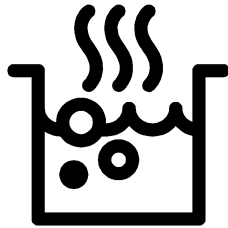
Gebrauchsanleitung

Inbouwkookplaat

Gebruikershandleiding

Table de cuisson encastrable

Manuel de l'utilisateur



HDCG 32221 FX

EN / DE / NL / FR

185.9100.44/R.AD/15.11.2019

7725588608

Please read this user manual first!

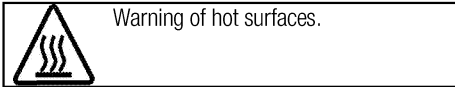
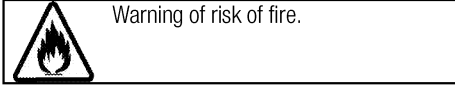
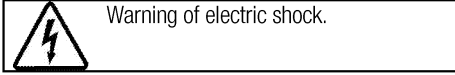
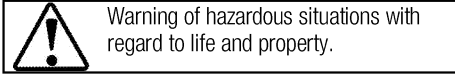
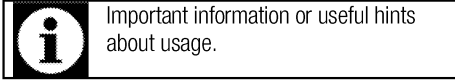
Dear Customer,

Thank you for purchasing this Beko product. We hope that you get the best results from your product which has been manufactured with high quality and state-of-the-art technology. Therefore, please read this entire user manual and all other accompanying documents carefully before using the product and keep it as a reference for future use. If you handover the product to someone else, give the user manual as well. Follow all warnings and information in the user manual.

Remember that this user manual is also applicable for several other models. Differences between models will be identified in the manual.

Explanation of symbols

Throughout this user manual the following symbols are used:



Arçelik A.Ş.
Karaağaç caddesi No:2-6
34445 Söğütözü/İstanbul/TURKEY
Made in TURKEY



This product was manufactured using the latest technology in environmentally friendly conditions.

TABLE OF CONTENTS

1	Important instructions and warnings for safety and environment	4
	General safety	4
	Safety when working with gas.....	4
	Electrical safety	6
	Product safety	6
	Intended use	7
	Safety for children.....	7
	Disposing of the old product.....	8
	Package information	8
2	General information	9
	Overview	9
	Technical specifications	10
	Injector table	10
3	Installation	11
	Before installation	11
	Installation and connection	12
	Gas conversion.....	14
	Future Transportation.....	14
4	Preparation	15
	Tips for saving energy	15
	Initial use.....	15
	First cleaning of the appliance.....	15
5	How to use the hob	16
	General information about cooking	16
	Using the hobs.....	16
6	Maintenance and care	17
	General information.....	17
	Cleaning the hob.....	17
	Cleaning the control panel	17
7	Troubleshooting	18

1 Important instructions and warnings for safety and environment

This section contains safety instructions that will help protect from risk of personal injury or property damage. Failure to follow these instructions shall void any warranty.

General safety

- This appliance can be used by children aged from 8 years and above and persons with reduced physical, sensory or mental capabilities or lack of experience and knowledge if they have been given supervision or instruction concerning use of the appliance in a safe way and understand the hazards involved.

Children shall not play with the appliance. Cleaning and user maintenance shall not be made by children without supervision.

- The appliance is not to be used by persons (including children) with reduced physical, sensory or mental capabilities, or lack of experience and knowledge, unless they have been given supervision or instruction. Children should be supervised and ensure they do not play with the appliance
- If the product is handed over to someone else for personal use or second-hand use purposes, the user manual, product labels and

other relevant documents and parts should be also given.

- Installation and repair procedures must always be performed by Authorised Service Agents. The manufacturer shall not be held responsible for damages arising from procedures carried out by unauthorised persons which may also void the warranty. Before installation, read the instructions carefully.
- Do not operate the product if it is defective or has any visible damage.
- Ensure that the product function knobs are switched off after every use.

Safety when working with gas

- Any works on gas equipment and systems may only be carried out by authorised qualified persons who are Gas Safe registered.
- Prior to the installation, ensure that the local distribution conditions (nature of the gas and gas pressure) and the adjustment of the appliance are compatible.
- This appliance is not connected to a combustion products or evacuation device. It shall be installed and connected in accordance with current installation regulations. Particular

attention shall be given to the relevant requirements regarding ventilation; See *Before installation*, page 11

- CAUTION: The use of gas cooking appliance results in the production of heat and moisture in the room in which it is installed. Ensure that the kitchen is well ventilated: keep natural ventilation holes open or install a mechanical ventilation device (mechanical extractor hood). Prolonged intensive use of the appliance may call for additional ventilation, for example increasing the level of the mechanical ventilation where present.
- Gas appliances and systems must be regularly checked for proper functioning. Regulator, hose and its clamp must be checked regularly and replaced within the periods recommended by its manufacturer or when necessary.
- Clean the gas burners regularly. The flames should be blue and burn evenly.
- This product should be used in a room which incorporates a properly adjusted and functioning Carbon Monoxide sensor. Make sure the Carbon Monoxide sensor works properly and is maintained frequently. Carbon Monoxide sensor should be installed

maximum 2 meters away from the product.

- Good combustion is required in gas appliances. In case of incomplete combustion, carbon monoxide (CO) might develop. Carbon monoxide is a colourless, odourless and very toxic gas, which has a lethal effect even in very small doses.
- Request information about gas emergency telephone numbers and safety measures in case of gas smell from you local gas provider.

What to do when you smell gas

- Do not use open flame or do not smoke. Do not operate any electrical buttons (e.g. lamp button, door bell and etc.) Do not use fixed or mobile phones. Risk of explosion and toxication!
- Open doors and windows.
- Turn off all valves on gas appliances and gas meter at the main control valve, unless it's in a confined space or cellar.
- Check all tubes and connections for tightness. If you still smell gas leave the property.
- Warn the neighbours.
- Call the fire-brigade. Use a telephone outside the house.
- Do not re-enter the property until you are told it is safe to do so.

Electrical safety

- If the product has a failure, it should not be operated unless it is repaired by an Authorised Service Agent. There is the risk of electric shock!
- Only connect the product to a grounded outlet/line with the voltage and protection as specified in the “Technical specifications”. Have the grounding installation made by a qualified electrician while using the product with or without a transformer. Our company shall not be liable for any problems arising due to the product not being earthed in accordance with the local regulations.
- Never wash the product by spreading or pouring water onto it! There is the risk of electric shock!
- Never touch the plug with wet hands! Never unplug by pulling on the cable, always pull out by holding the plug.
- The product must be disconnected during installation, maintenance, cleaning and repairing procedures.
- If the power connection cable for the product is damaged, it must be replaced by the manufacturer, its service agent or similarly qualified persons in order to avoid a hazard.
- The appliance must be installed so that it can be completely disconnected from the mains supply. The separation must be provided by a switch built into the fixed electrical installation, according to construction regulations.
- Any work on electrical equipment and systems should only be carried out by authorised and qualified persons.
- In case of any damage, switch off the product and disconnect it from the mains. To do this, turn off the fuse at home.
- Make sure that fuse rating is compatible with the product.

Product safety

- **WARNING:** The appliance and its accessible parts become hot during use. Care should be taken to avoid touching heating elements. Children less than 8 years of age shall be kept away unless continuously supervised.
- Never use the product when your judgment or coordination is impaired by the use of alcohol and/or drugs.
- Be careful when using alcoholic drinks in your dishes. Alcohol evaporates at high temperatures and may cause fire since it can ignite when it comes into contact with hot surfaces.

- Do not place any flammable materials close to the product as the sides may become hot during use.
- Keep all ventilation slots clear of obstructions.
- Do not use steam cleaners to clean the appliance as this may cause an electric shock.
- **WARNING:** Unattended cooking on a hob with fat or oil can be dangerous and may result in fire. NEVER try to extinguish a fire with water, but switch off the appliance and then cover flame e.g. with a lid or a fire blanket.
- **CAUTION:** The cooking process has to be supervised. A short term cooking process has to be supervised continuously.
- **WARNING:** Danger of fire: Do not store items on the cooking surfaces.
- **WARNING:** If the surface is cracked, switch off the appliance to avoid the possibility of electric shock.
- In case of hotplate glass breakage : Immediately shut off all burners and any electrical heating element and isolate the appliance from the power supply. Do not touch the appliance surface. Do not use the appliance.

Prevention against possible fire risk!

- Ensure all electrical connections are secure and tight to prevent risk of arcing.

- Do not use damaged cables or extension cables.
- Ensure liquid or moisture is not accessible to the electrical connection point.
- To prevent gas leakage ensure that the gas connection is sound.

Intended use

- This product is designed for domestic use. Commercial use will void the guarantee.
- **CAUTION:** This appliance is for cooking purposes only. It must not be used for other purposes, for example room heating.
- The manufacturer shall not be liable for any damage caused by improper use or handling errors.

Safety for children

- **WARNING:** Accessible parts may become hot during use. Young children should be kept away.
- The packaging materials will be dangerous for children. Keep the packaging materials away from children. Please dispose of all parts of the packaging according to environmental standards.
- Electrical and/or gas products are dangerous to children. Keep children away from the product when it is operating and do not allow them to play with the product.
- Do not place any items above the appliance that children may reach for.

Disposing of the old product
Compliance with the WEEE Directive and
Disposing of the Waste Product:



This product complies with EU WEEE Directive (2012/19/EU). This product bears a classification symbol for waste electrical and electronic equipment (WEEE).

This product has been manufactured with high quality parts and materials which can be reused and are suitable for recycling. Do not dispose of the waste product with normal domestic and other wastes at the end of its service life. Take it to the collection center for the recycling of electrical and electronic equipment. Please consult your local authorities to learn about these collection centers.

Compliance with RoHS Directive:

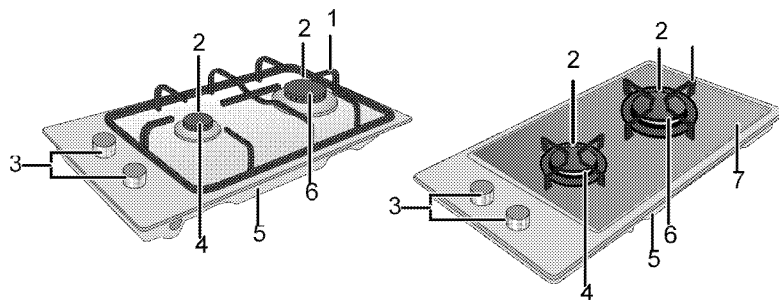
The product you have purchased complies with EU RoHS Directive (2011/65/EU). It does not contain harmful and prohibited materials specified in the Directive.

Package information

- Packaging materials of the product are manufactured from recyclable materials in accordance with our National Environment Regulations. Do not dispose of the packaging materials together with the domestic or other wastes. Take them to the packaging material collection points designated by the local authorities.

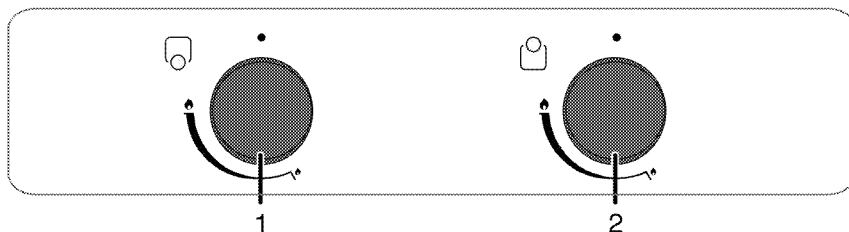
2 General information

Overview



- 1 Pan support
- 2 Spark plug
- 3 Control panel
- 4 Auxiliary burner

- 5 Base cover
- 6 Rapid burner
- 7 Burner plate



- 1 Auxiliary burner Front

- 2 Rapid burner Rear

Technical specifications

Voltage / frequency	220-240 V ~ 50 Hz
Fuse	3 A
Cable type / section	min.H05V2V2 3 x 0,75 mm ²
Category of gas product	II 2E+3+ / I 2E
Gas type / pressure	NG 20/20 mbar
Total gas consumption	3.9 kW
Converting the gas type / pressure ^S	Propane 31 mbar/37 mbar
– optional	LPG 30/28-30 mbar - NG 25/25 mbar
External dimensions (height / width / depth)	75 mm/288 mm/510 mm
Installation dimensions (width / depth)	268 mm/490 mm
Burners	
Front	Auxiliary burner
Power	1000 W
Rear	Rapid burner
Power	2900 W



Technical specifications may be changed without prior notice to improve the quality of the product.



Figures in this manual are schematic and may not exactly match your product.



Values stated on the product labels or in the documentation accompanying it are obtained in laboratory conditions in accordance with relevant standards. Depending on operational and environmental conditions of the product, these values may vary.

Injector table

Position hob zone	1000 W Front	2900 W Rear
Gas type / Gas pressure	Front	Rear
G 20/20 mbar	72	115
G 30/28-30 mbar	50	87
G 25/25 mbar	72	115
G 31/ 37 mbar	50	87

3 Installation

Product must be installed by a qualified person in accordance with the regulations in force. The manufacturer shall not be held responsible for damages arising from procedures carried out by unauthorized persons which may also void the warranty.



Preparation of location and electrical and gas installation for the product is under customer's responsibility.



DANGER:

The product must be installed in accordance with all local gas and/or electrical regulations.



DANGER:

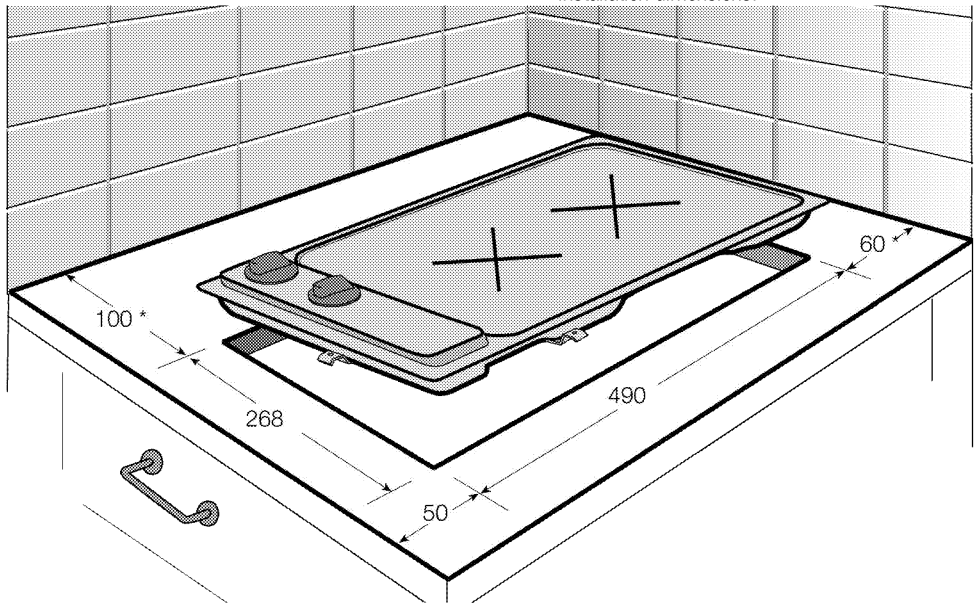
Prior to installation, visually check if the product has any defects on it. If so, do not have it installed.

Damaged products cause risks for your safety.

Before installation

The hob is designed for installation into commercially available work tops. A safety distance must be left between the appliance and the kitchen walls and furniture. See figure (values in mm).

- It can also be used in a free standing position. Allow a minimum distance of 750 mm above the hob surface.
- (*) If a cooker hood is to be installed above the cooker, refer to cooker hood manufacturer' instructions regarding installation height (min 650 mm)
- Remove packaging materials and transport locks.
- Surfaces, synthetic laminates and adhesives used must be heat resistant (100 °C minimum).
- The worktop must be aligned and fixed horizontally.
- Cut aperture for the hob in worktop as per installation dimensions.



* min.

Room ventilation

All rooms require an openable window, or equivalent, and some rooms will require a permanent vent as well. The air for combustion is taken from the room air and the exhaust gases are emitted directly into the room. Good ventilation is essential for safe operation of your appliance.

Rooms with doors and/or windows which open directly to the outer environment

The doors and/or windows that open directly to the outer environment must have a total ventilation opening of the dimensions specified in the table below which is based on the total gas power of the appliance (total gas power consumption of the appliance is shown in the technical specification table of this user manual). If the doors and/or windows do not have a

total ventilation opening corresponding to the total gas consumption of the appliance as specified in the table below, then there must definitely be an additional fixed ventilation opening in the room to ensure that the total minimum ventilation requirements for the total gas consumption of the appliance is achieved. The fixed ventilation opening can include openings for existing airbricks, extraction hood ducting opening dimension etc.

Total gas consumption (kW)	min. Ventilation opening (cm ²)
0-2	100
2-3	120
3-4	175
4-6	300
6-8	400
8-10	500
10-11.5	600
11.5-13	700
13-15.5	800
15.5-17	900
17-19	1000
19-24	1250

Rooms that do not have openable doors and/or windows that open directly to the outer environment

If the room where the appliance is installed does not have a door and/or a window that opens directly to the outer environment, other products shall be sought that definitely provide a fixed nonadjustable and non-closable ventilation opening which meets the total minimum ventilation opening requirements for the total gas consumption of the appliance as indicated in the above table. Also the appropriate building regulations advise should be followed.

Where a room or internal space contains more than one gas appliance, additional ventilation area shall be provided on top of the requirement given in the table above. Size of additional ventilation area shall be appropriate to regulations of other gas appliances. There should also be a minimum clearance of 10mm on the bottom edge of the door that opens to the inner environment in the room where the appliance is installed. You must ensure that items such as carpets and other floorcoverings etc., do not affect the clearance when the door is closed.

The cooker may be located in a kitchen, kitchen/diner or a bed-sitting room, but not in a room containing a bath or a shower. The cooker must not be installed in a bed-sitting room of less than 20m³.

Do not install this appliance in a room below ground level unless it is open to ground level on at least one side.

Installation and connection

- The product must be installed in accordance with all local gas and electrical regulations.

Electrical connection

Connect the product to a grounded outlet/line protected by a miniature circuit breaker of suitable capacity as stated in the "Technical specifications" table. Have the grounding installation made by a qualified electrician while using the product with or without a transformer. Our company shall not be liable for any damages that will arise due to using the product without a grounding installation in accordance with the local regulations.



DANGER:

The product must be connected to the mains supply only by an authorised and qualified person. The product's warranty period starts only after correct installation. Manufacturer shall not be held responsible for damages arising from procedures carried out by unauthorised persons.



DANGER:

The power cable must not be clamped, bent or trapped or come into contact with hot parts of the product. A damaged power cable must be replaced by a qualified electrician. Otherwise, there is risk of electric shock, short circuit or fire!

- Connection must comply with national regulations.
- The mains supply data must correspond to the data specified on the type label of the product. Type label is at the rear housing of the product.
- Power cable of your product must comply with the values in "Technical specifications" table.



DANGER:

Before starting any work on the electrical installation, disconnect the product from the mains supply. There is the risk of electric shock!



Power cable plug must be within easy reach after installation (do not route it above the hob).



While performing the wiring, you must apply with the national/local electrical regulations and must use the appropriate socket outlet/line and plug for oven. In case of the product's power limits are out of current carrying capability of plug and socket outlet/line, the product must be connected through fixed electrical installation directly without using plug and socket outlet/line.

Plug the power cable into the socket.

Gas connection



DANGER:

Product can be connected to gas supply system only by an authorised and qualified person or technician with licence. Risk of explosion or toxication due to unprofessional repairs! Manufacturer shall not be held responsible for damages arising from procedures carried out by unauthorised or unlicensed persons.



DANGER:

Before starting any work on the gas installation, disconnect the gas supply. There is the risk of explosion!

- Gas adjustment conditions and values are stated on labels (or on type label).

Refer to the detailed gas connection and gas conversion information in the user manual supplied with your product.

Refer to the detailed gas connection and gas conversion information in the user manual supplied with your product.

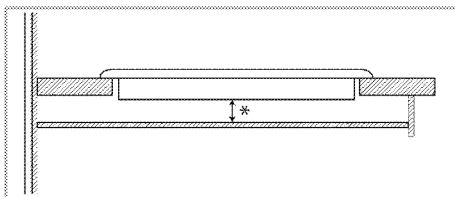
Installing the product

- Remove burners, burner caps and grills on the hob from the product.
- Turning the hob upside down, place it on a flat surface.
- Place the hob on the counter and align it.



When installing the hob onto a cabinet, a shelf must be installed in order to separate the cabinet from the hob as illustrated in the above figure. This is not required when installing onto a built-under oven.

For example, if it is possible to touch the bottom of the product since it is installed onto a drawer, this section must be covered with a wooden plate.

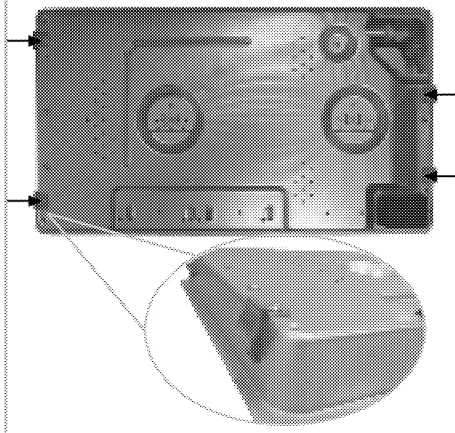


* min. 15 mm

Rear view (connection holes)



Location of the connection holes shown in the below figure are schematic, may vary depending on the product model. Fix them according to connection holes on your product.



Place the burner plates, burner plate caps and grills back to their seating after installation.



DANGER:

Connection clamps will be supplied as installed onto the hob. Making connections to different holes is not a good practice in terms of safety since it can damage the gas and electrical system.



DANGER:

There are gas and electrical components contained within this hob, therefore when fitting the mounting springs/clamps only attach the supplied fixings to the connection holes shown in this manual. Failure to observe this advice may lead to life and property safety

Final check

- Open gas supply.
- Check gas installations for secure fitting and tightness.
- Ignite burners and check appearance of the flame.



Flame must be blue and have a regular shape. If the flame is yellowish, check if the burner cap is seated securely or clean the burner.

Gas conversion



DANGER:

Before starting any work on the gas installation, disconnect the gas supply. There is the risk of explosion!

In order to change your appliance's gas type, change all injectors and make flame adjustment for all valves at reduced flow rate position.

Exchange of injector for the burners

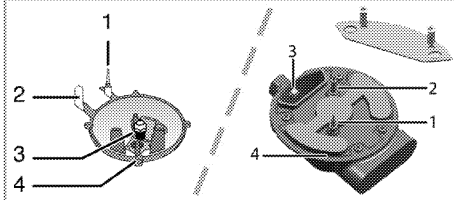
1. Take off burner cap and burner body.
2. Unscrew injectors by turning the counter-clockwise.
3. Fit new injectors.
4. Check all connections for secure fitting and tightness.



New injectors have their position marked on their packing or injector table on *Injector table*, page 10 can be referred to.



((Varies depending on the product model.))
On some hob burners, the injector is covered with a metal piece. This metal cover must be removed for injector replacement.



- 1 Flame failure device (model dependant)
- 2 Spark plug
- 3 Injector
- 4 Burner



Unless there is an abnormal condition, do not attempt to remove the gas burner taps. You must call an Authorised service agent or technician with licence if it is necessary to change the taps.

Reduced gas flow rate setting for hob taps

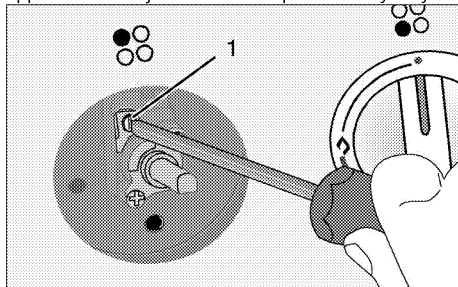
1. Ignite the burner that is to be adjusted and turn the knob to the reduced position.
2. Remove the knob from the gas tap.
3. Use an appropriately sized screwdriver to adjust the flow rate adjustment screw.

For LPG (Butane - Propane) turn the screw clockwise. For the natural gas, you should turn the screw **counter-clockwise** once.

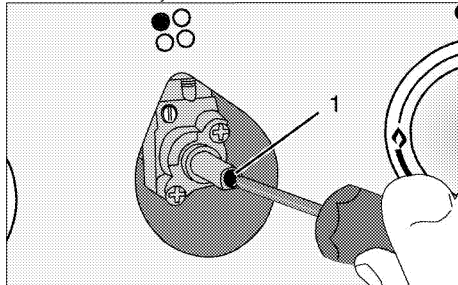
» The normal length of a straight flame in the reduced position should be 6-7 mm.

4. If the flame is higher than the desired position, turn the screw clockwise. If it is smaller turn anticlockwise.
5. For the last control, bring the burner both to high-flame and reduced positions and check whether the flame is on or off.

Depending on the type of gas tap used in your appliance the adjustment screw position may vary.



1 Flow rate adjustment screw



1 Flow rate adjustment screw



If the gas type of the unit is changed, then the rating plate that shows the gas type of the unit must also be changed.

Future Transportation

- Keep the product's original carton and transport the product in it. Follow the instructions on the carton. If you do not have the original carton, pack the product in bubble wrap or thick cardboard and tape it securely.
- Secure the caps and pan supports with adhesive tape.



Check the general appearance of your product for any damages that might have occurred during transportation.

4 Preparation

Tips for saving energy

The following information will help you to use your appliance in an ecological way, and to save energy:

- Defrost frozen dishes before cooking them.
- Use pots/pans with cover for cooking. If there is no cover, energy consumption may increase 4 times.
- Select the burner which is suitable for the bottom size of the pot to be used. Always select the correct pot size for your dishes. Larger pots require more energy.

Initial use

First cleaning of the appliance



The surface might get damaged by some detergents or cleaning materials.

Do not use aggressive detergents, cleaning powders/creams or any sharp objects during cleaning.

Do not use harsh abrasive cleaners or sharp metal scrapers to clean the oven door glass since they can scratch the surface, which may result in shattering of the glass.

1. Remove all packaging materials.
2. Wipe the surfaces of the appliance with a damp cloth or sponge and dry with a cloth.

5 How to use the hob

General information about cooking



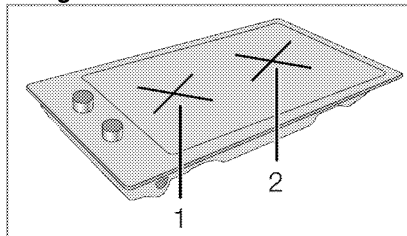
Never fill the pan with oil more than one third of it. Do not leave the hob unattended when heating oil. Overheated oils bring risk of fire. **Never attempt to extinguish a possible fire with water!** When oil catches fire, cover it with a fire blanket or damp cloth. Turn off the hob if it is safe to do so and call the fire department.

- Before frying foods, always dry them well and gently place into the hot oil. Ensure complete thawing of frozen foods before frying.
- Do not cover the vessel you use when heating oil.
- Place the pans and saucepans in a manner so that their handles are not over the hob to prevent heating of the handles. Do not place unbalanced and easily tilting vessels on the hob.
- Do not place empty vessels and saucepans on cooking zones that are switched on. They might get damaged.
- Operating a cooking zone without a vessel or saucepan on it will cause damage to the product. Turn off the cooking zones after the cooking is complete.
- As the surface of the product can be hot, do not put plastic and aluminum vessels on it. Such vessels should not be used to keep foods either.
- Use flat bottomed saucepans or vessels only.
- Put appropriate amount of food in saucepans and pans. Thus, you will not have to make any unnecessary cleaning by preventing the dishes from overflowing.
Do not put covers of saucepans or pans on cooking zones.
Place the saucepans in a manner so that they are centered on the cooking zone. When you want to move the saucepan onto another cooking zone, lift and place it onto the cooking zone you want instead of sliding it.

Gas cooking

- Size of the vessel and the flame must match each other. Adjust the gas flames so that they will not extend the bottom of the vessel and center the vessel on saucepan carrier.

Using the hobs



- 1 Auxiliary burner 12-18 cm
- 2 Rapid burner 22-24 cm is list of advised diameter of pots to be used on related burners.



WARNING

Do not use cooking pans beyond the dimension limits given above. Using larger pans causes risk of carbon monoxide poisoning, overheating of adjacent surfaces and control knobs. Using smaller pans causes your risk of being burned by the flame.

Large flame symbol indicates the highest cooking power and small flame symbol indicates the lowest cooking power. In turned off position (top), gas is not supplied to the burners.

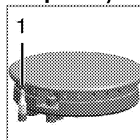
Igniting the gas burners

1. Keep burner knob pressed.
2. Turn it counter clockwise to large flame symbol.
» Gas is ignited with the spark created.
3. Adjust it to the desired cooking power.

Turning off the gas burners

Turn the knob to off (upper) position.

Gas shut off safety system (in models with thermic component)



As a counter measure against blow out due to fluid overflows at burners, safety mechanism trips and shuts off the gas.

1. Gas shut off safety
 - Push the knob inwards and turn it counter clockwise to ignite.
 - After the gas ignites, keep the knob pressed for 3-5 seconds more to engage the safety system.
 - If the gas does not ignite after you press and release the knob, repeat the same procedure by keeping the knob pressed for 15 seconds.



DANGER:

Release the button if the burner is not ignited within 15 seconds.

Wait at least 1 minute before trying again. There is the risk of gas accumulation and explosion!

6 Maintenance and care

General information

Service life of the product will extend and the possibility of problems will decrease if the product is cleaned at regular intervals.

**DANGER:**

Disconnect the product from mains supply before starting maintenance and cleaning works.

There is the risk of electric shock!

**DANGER:**

Allow the product to cool down before you clean it.

Hot surfaces may cause burns!

- Clean the product thoroughly after each use. In this way it will be possible to remove cooking residues more easily, thus avoiding these from burning the next time the appliance is used.
- No special cleaning agents are required for cleaning the product. Use warm water with washing liquid, a soft cloth or sponge to clean the product and wipe it with a dry cloth.
- Always ensure any excess liquid is thoroughly wiped off after cleaning and any spillage is immediately wiped dry.
- Do not use cleaning agents that contain acid or chloride to clean the stainless or inox surfaces and the handle. Use a soft cloth with a liquid detergent (not abrasive) to wipe those parts clean, paying attention to sweep in one direction.



The surface might get damaged by some detergents or cleaning materials.

Do not use aggressive detergents, cleaning powders/creams or any sharp objects during cleaning.

Do not use harsh abrasive cleaners or sharp metal scrapers to clean the oven door glass since they can scratch the surface, which may result in shattering of the glass.



Do not use steam cleaners to clean the appliance as this may cause an electric shock.

Cleaning the hob

Gas hobs

1. Remove and clean the saucepan carriers and burner caps.
2. Clean the hob.
3. Install the burner caps and make sure that they are seated correctly.
4. When installing the upper grills, pay attention to place the saucepan carriers so that the burners are centered.

Glass ceramic surfaces

Wipe the glass ceramic surface using a piece of cloth dampened with cold water in a manner as not to leave any cleaning agent on it. Dry with a soft and dry cloth. Residues may cause damage on the glass ceramic surface when using the hob for the next time.

Dried residues on the glass ceramic surface should under no circumstances be scraped with hook blades, steel wool or similar tools.

Remove calcium stains (yellow stains) by a small amount of lime remover such as vinegar or lemon juice. You can also use suitable commercially available products.

If the surface is heavily soiled, apply the cleaning agent on a sponge and wait until it is absorbed well. Then, clean the surface of the hob with a damp cloth.



Sugar-based foods such as thick cream and syrup must be cleaned promptly without waiting the surface to cool down. Otherwise, glass ceramic surface may be damaged permanently.

Slight color fading may occur on coatings or other surfaces in time. This will not affect operation of the product.

Color fading and stains on the glass ceramic surface is a normal condition, and not a defect.

Cleaning the control panel

Clean the control panel and knobs with a damp cloth and wipe them dry.



If your product is equipped with buttons/knobs do not remove the control buttons/knobs to clean the control panel.

Control panel may get damaged!

7 Troubleshooting

Product emits metal noises while heating and cooling.

- When the metal parts are heated, they may expand and cause noise. >>> *This is not a fault.*

There is no ignition spark.

- No current. >>> *Check fuses in the fuse box.*

There is no gas.

- Main gas valve is closed. >>> *Open gas valve.*
- Gas pipe is bent. >>> *Install gas pipe properly.*

Burners are not burning properly or at all.

- Burners are dirty. >>> *Clean burner components.*
- Burners are wet. >>> *Dry the burner components.*
- Burner cap is not mounted safely. >>> *Mount the burner cap properly.*
- Gas valve is closed. >>> *Open gas valve.*
- Gas cylinder is empty (when using LPG). >>> *Replace gas cylinder.*

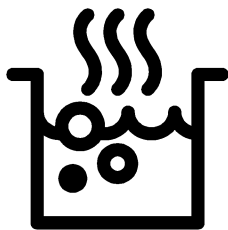


Consult the Authorised Service Agent or technician with licence or the dealer where you have purchased the product if you can not remedy the trouble although you have implemented the instructions in this section. Never attempt to repair a defective product yourself.



Einbau-Kochfeld

Gebrauchsanleitung



DE

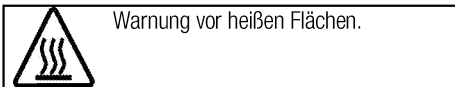
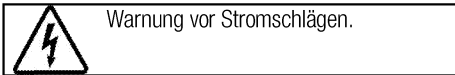
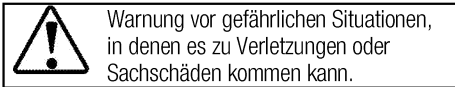
Bitte zuerst diese Bedienungsanleitung lesen!

Sehr geehrte Kundin, sehr geehrter Kunde,
vielen Dank für den Kauf eines Beko-Produktes. Wir hoffen, dass dieses Produkt, das mit hochwertiger und hochmoderner Technologie hergestellt wurde, beste Ergebnisse erzielt. Daher bitte die gesamte Bedienungsanleitung und alle beiliegenden Dokumente aufmerksam durchlesen und zum zukünftigen Nachschlagen aufbewahren. Bei Weitergabe des Produktes auch die Bedienungsanleitung mit aushändigen. Alle Warnungen und Informationen in der Bedienungsanleitung einhalten.

Bitte beachten, dass diese Bedienungsanleitung für unterschiedliche Modelle geschrieben wurde. Unterschiede zwischen den verschiedenen Modellen werden natürlich in der Anleitung erwähnt.

Die Symbole

In dieser Anleitung verwenden wir folgende Symbole:



Arçelik A.Ş.
Karaağaç caddesi No:2-6
34445 Sütlüce/Istanbul/TURKEY
Made in TURKEY

1 Wichtige Sicherheits- und Umwelthinweise **4**

Allgemeine Sicherheit.....	4
Sicherheit beim Umgang mit Gas.....	5
Elektrische Sicherheit.....	6
Produktsicherheit.....	7
Bestimmungsgemäße Verwendung.....	8
Sicherheit von Kindern.....	8
Altgeräte entsorgen.....	9
Verpackungsmaterialien entsorgen.....	9

2 Allgemeine Informationen **10**

Geräteübersicht.....	10
Technische Daten.....	11
Injektortabelle.....	11

3 Installation **12**

Vor der Installation.....	12
Einbauen und Anschließen.....	13
Gasumstellung.....	15
Transport.....	16

4 Vorbereitungen **17**

Tipps zum Energiesparen.....	17
Erste Inbetriebnahme.....	17
Erstreinigung des Gerätes.....	17

5 Bedienung Kochfeld **18**

Allgemeine Hinweise zum Kochen.....	18
Kochfeld verwenden.....	18

6 Reinigung und Wartung **20**

Allgemeine Hinweise.....	20
Kochfeld reinigen.....	20
Bedienfeld reinigen.....	20

7 Problemlösungen **21**

1 Wichtige Sicherheits- und Umwelthinweise

Dieser Abschnitt enthält Hinweise, die für die Sicherheit des Benutzers und anderer Personen unerlässlich sind. Diese Hinweise müssen beachtet werden, damit es nicht zu Verletzungen oder Sachschäden kommt.

Bei Nichteinhaltung dieser Anweisungen erlöschen sämtliche Garantieansprüche.

Allgemeine Sicherheit

- Dieses Gerät darf von Kindern (ab acht Jahren) oder Personen bedient werden, die unter körperlichen, sensorischen oder geistigen Einschränkungen leiden oder denen es an der nötigen Erfahrung und Wissen im Umgang mit solchen Geräten mangelt, wenn solche Personen beaufsichtigt werden und, zuvor gründlich mit der sicheren Bedienung des Gerätes vertraut gemacht wurden und sich der damit verbundenen Gefahren voll und ganz bewusst sind. Kinder dürfen nicht mit dem Gerät spielen. Reinigungs- und Wartungsarbeiten dürfen von Kindern nicht ohne Aufsicht eines Erwachsenen durchgeführt werden.
- Das Gerät darf nicht von Personen genutzt werden, die unter körperlichen oder geistigen Einschränkungen leiden oder denen es an der nötigen Erfahrung im Umgang mit solchen Geräten mangelt. Ausnahmen sind nur dann möglich, wenn solche Personen beaufsichtigt werden oder gründlich über den richtigen Umgang mit dem Gerät aufgeklärt wurden. Dies gilt natürlich auch für Kinder. Kinder müssen stets beaufsichtigt werden, damit sie nicht mit dem Gerät spielen.
- Falls das Produkt an jemand anderen zur persönlichen oder Secondhand-Benutzung übergeben wird, sollten Bedienungsanleitung, Produktetiketten und andere relevante Dokumente und Teile ebenfalls übergeben werden.
- Installation und Reparaturen müssen grundsätzlich vom autorisierten Kundendienst ausgeführt werden. Der Hersteller haftet nicht für Schäden, die durch den Eingriff nicht autorisierter Personen entstehen; zudem kann dadurch die Garantie erlöschen. Vor der Installation aufmerksam alle Anweisungen lesen.
- Gerät nicht nutzen, falls es nicht ordnungsgemäß funktioniert oder

sichtbare Beschädigungen aufweist.

- Nach jeder Benutzung prüfen, ob die Funktionsknöpfe des Produktes ausgeschaltet sind.

Sicherheit beim Umgang mit Gas

- Arbeiten an Gasgeräten und -anlagen dürfen nur von autorisierten Fachkräften durchgeführt werden.
- Vergewissern Sie sich vor der Installation, dass Gasart und Gasdruck mit der Einstellung des Gerätes kompatibel sind.
- Dieses Gerät wird nicht an Ableitvorrichtungen für Verbrennungsgase angeschlossen. Es muss in Übereinstimmung mit gültigen Installationsvorschriften installiert und angeschlossen werden. Besonderes Augenmerk ist auf die zutreffenden Richtlinien zur Belüftung zu legen; siehe *Vor der Installation, Seite 12*
- **VORSICHT:** Die Nutzung eines Gaskochgerätes erzeugt Hitze, Feuchtigkeit und Verbrennungsprodukte in dem Raum, in dem es installiert ist. Stellen Sie eine gute Durchlüftung der Küche sicher; vor allem wenn das Gerät in Betrieb ist: Halten Sie natürliche Belüftungsöffnungen offen oder installieren Sie ein mechanisches

Entlüftungsgerät (mechanische Abzugshaube). Bei längerem und intensivem Einsatz des Gerätes kann eine zusätzliche Belüftung erforderlich sein; beispielsweise die Erhöhung der Intensität des mechanischen Entlüftungssystems (sofern vorhanden).

- Gasgeräte und -anlagen müssen regelmäßig auf einwandfreie Funktion überprüft werden. Regulator, Schlauch und -klemme müssen regelmäßig überprüft und in vom Hersteller vorgegebenen Intervallen oder bei Bedarf ausgetauscht werden.
- Reinigen Sie regelmäßig die Gasbrennstellen. Die Flammen sollen ruhig und blau brennen.
- Dieses Produkt sollte in einem Raum mit einem angemessen angepassten und funktionierenden Kohlenmonoxidsensor verwendet werden. Stellen Sie sicher, dass der Kohlenmonoxidsensor richtig funktioniert und regelmäßig gewartet wird. Der Kohlenmonoxidsensor sollte maximal 2 m vom Produkt installiert sein.
- In Gasgeräten muss eine gute Verbrennung stattfinden. Bei unvollständiger Verbrennung kann es zur Bildung von

Kohlenmonoxid (CO) kommen. Kohlenmonoxid ist ein farbloses, geruchloses und sehr giftiges Gas, welches schon in geringen Mengen tödlich wirkt.

- Informieren Sie sich bei Ihrem Gasversorgungsunternehmen über Gas-Notrufnummern und Sicherheitsmaßnahmen bei Gasgeruch.

Verhaltensregeln bei Gasgeruch

- Keine offenen Flammen nutzen, nicht rauchen. Keinerlei elektrische Schalter (Beleuchtung, Türklingel etc.) nutzen. Keine Telefone/Mobiltelefone nutzen. Explosions- und Vergiftungsgefahr!
- Türen und Fenster öffnen.
- Alle Ventile an Gasgeräten und Gaszählern schließen.
- Alle Schläuche und Verbindungen auf Dichtigkeit überprüfen. Falls Sie immer noch Gasgeruch wahrnehmen, die Wohnung verlassen.
- Nachbarn warnen.
- Feuerwehr rufen. Benutzen Sie ein Telefon außerhalb des Hauses.
- Nähern Sie sich erst dann wieder, wenn Ihnen mitgeteilt wurde, dass keine Gefahr besteht.

Elektrische Sicherheit

- Falls das Produkt einen Fehler aufweist, sollte es bis zur Reparatur durch einen

autorisierten Kundendienstmitarbeiter nicht in Betrieb genommen werden. Es besteht Stromschlaggefahr!

- Schließen Sie das Produkt nur an eine geerdete Steckdose an, deren Spannung und Schutz den Angaben unter „Technische Daten“ entsprechen. Lassen Sie durch einen qualifizierten Elektriker eine Erdung vornehmen. Unser Unternehmen haftet nicht für Probleme, die durch ein nicht entsprechend den örtlichen Richtlinien geerdetes Produkt entstehen.
- Reinigen Sie das Produkt niemals, indem Sie Wasser darauf verteilen oder schütten! Es besteht Stromschlaggefahr!
- Berühren Sie den Stecker niemals mit feuchten oder gar nassen Händen! Trennen Sie das Kabel niemals durch Ziehen am Kabel; greifen und ziehen Sie immer am Stecker.
- Das Produkt darf während Installation, Wartung, Reinigung und Reparatur nicht an eine Steckdose angeschlossen sein.
- Falls das Netzkabel des Produktes beschädigt ist, muss es zur Vermeidung von Gefahren vom Hersteller, einem Kundendienstmitarbeiter oder

- vergleichbar qualifizierten Personen ausgetauscht werden.
- Das Gerät muss so installiert sein, dass es vollständig vom Netzwerk getrennt werden kann. Die Trennung muss entsprechend den Baurichtlinien entweder durch einen Netzstecker oder einen in der festen elektrischen Installation eingebauten Schalter ermöglicht werden.
 - Jegliche Arbeiten an elektrischen Geräten und Systemen sollten von autorisierten und qualifizierten Personen ausgeführt werden.
 - Schalten Sie das Gerät bei Schäden aus, unterbrechen Sie die entsprechende Stromversorgung. Schalten Sie dazu die Sicherungen im Haus ab.
 - Stellen Sie sicher, dass die Sicherungsangaben mit dem Produkt kompatibel sind.

Produktsicherheit

- **WARNUNG:** Das Gerät und seine zugänglichen Teile werden während des Betriebs heiß. Keine Heizelemente berühren. Kinder unter 8 Jahren fernhalten, sofern nicht kontinuierlich beaufsichtigt.
- Produkt niemals nutzen, wenn Urteilsvermögen oder Koordination durch Alkohol und/oder Drogen beeinträchtigt sind.
- Bei alkoholischen Getränken in den Gerichten entsprechend vorsichtig sein. Alkohol verdampft bei hohen Temperaturen und kann durch Entzünden bei Kontakt mit heißen Oberflächen Feuer verursachen.
- Keine brennbaren Materialien in der Nähe des Produktes aufstellen, da die Seiten während des Gebrauchs heiß werden können.
- Darauf achten, dass keine Belüftungsschlitze blockiert werden.
- Zur Reinigung des Gerätes keine Dampfreiniger verwenden; andernfalls besteht Stromschlaggefahr.
- **WARNUNG:** Unbeaufsichtigtes Garen auf einem Kochfeld mit Fett oder Öl kann gefährlich sein und Brände verursachen. Niemals versuchen, ein Feuer mit Wasser zu löschen; stattdessen das Gerät abschalten und Flammen z. B. mit einem Deckel oder einer Feuerlöschdecke abdecken.
- **VORSICHT:** Das Gerät muss beim Kochen im Auge behalten werden. Auch bei kurzen Zubereitungen muss das Gerät ständig im Auge behalten werden.
- **WARNUNG:** Brandgefahr: Keine Gegenstände auf den Kochoberflächen aufbewahren.

- **WARNUNG:** Falls die Oberfläche gesprungen ist, Gerät zur Vermeidung möglicher Stromschlaggefahr abschalten.
- Falls das Glas der Herdplatte springt: Schalten Sie umgehend alle Brenner und elektrischen Heizelemente aus und trennen Sie das Gerät von der Stromversorgung. Geräteoberfläche nicht berühren! Gerät nicht benutzen.
- **VORSICHT:** Dieses Gerät dient ausschließlich der Zubereitung von Speisen. Es darf nicht zu anderen Zwecken eingesetzt werden.
- Der Hersteller haftet nicht für Schäden, die durch unsachgemäßen Gebrauch oder falsche Bedienung verursacht werden.

Sicherheit von Kindern

- **WARNUNG:** Verschiedene Teile des Gerätes werden während des Gebrauchs heiß. Daher kleine Kinder vom Gerät fernhalten.
- Verpackungsmaterialien können eine Gefahr für Kinder darstellen. Sämtliche Verpackungsmaterialien an einem sicheren Ort und außerhalb der Reichweite von Kindern aufbewahren.
- Elektrische- und/oder Gasprodukte können eine Gefahr für Kinder darstellen. Kinder im Betrieb daher unbedingt vom Gerät fernhalten. Kinder nicht mit dem Gerät spielen lassen.
- Keine Gegenstände auf das Gerät stellen, die Kinder erreichen können.

Brandschutzvorkehrungen des Produktes:

- Sicherstellen, dass die elektrische Verbindung richtig in die Steckdose eingesteckt ist und keine Funken erzeugt.
- Keine beschädigten oder abgeschnittenen Kabel bzw. Verlängerungskabel verwenden; nur das Originalkabel einsetzen.
- Beim Anschließen des Produktes sicherstellen, dass sich keine Flüssigkeit oder Feuchtigkeit an der elektrischen Verbindung befindet.
- Sicherstellen, dass der Gasanschluss richtig installiert ist und kein Gas austritt.

Bestimmungsgemäße Verwendung

- Dieses Gerät wurde für den reinen Hausgebrauch entwickelt. Eine gewerbliche Nutzung ist nicht zulässig.

Altgeräte entsorgen

Erfüllung von WEEE-Vorgaben zur Entsorgung von Altgeräten:



Dieses Produkt erfüllt die Vorgaben der EU-WEEE-Direktive (2012/19/EU). Das Produkt wurde mit einem Klassifizierungssymbol für elektrische und elektronische Altgeräte (WEEE) gekennzeichnet. Dieses Gerät wurde aus hochwertigen Materialien hergestellt, die wiederverwendet und recycelt werden können. Entsorgen Sie das Gerät am Ende seiner Einsatzzeit nicht mit dem regulären Hausmüll; geben Sie es stattdessen bei einer Sammelstelle zur Wiederverwertung von elektrischen und elektronischen Altgeräten ab. Ihre Stadtverwaltung informiert Sie gerne über geeignete Sammelstellen in Ihrer Nähe.

Einhaltung von RoHS-Vorgaben:

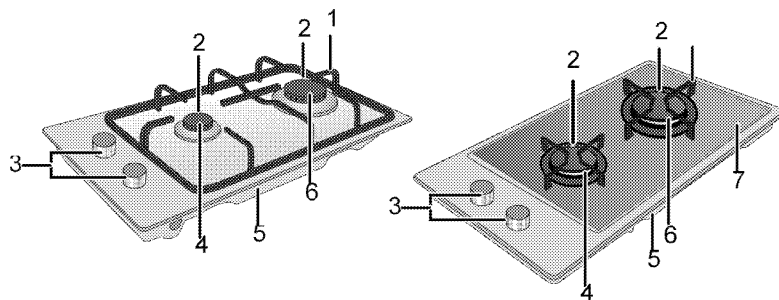
Das von Ihnen erworbene Produkt erfüllt die Vorgaben der EU-RoHS Direktive (2011/65/EU). Es enthält keine in der Direktive angegebenen gefährlichen und unzulässigen Materialien.

Verpackungsmaterialien entsorgen

- Die Verpackung des Gerätes besteht aus wiederverwertbaren Materialien. Entsorgen Sie diese vorschriftsgemäß und entsprechend sortiert. Entsorgen Sie solche Materialien nicht mit dem normalen Hausmüll.

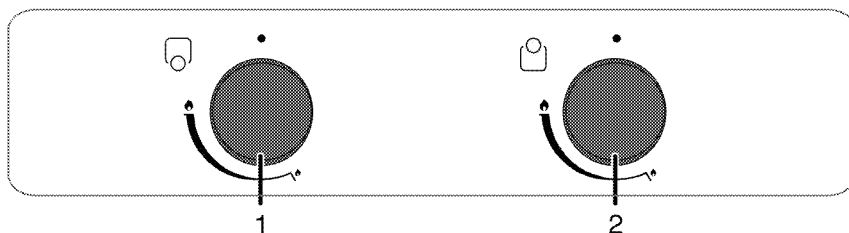
2 Allgemeine Informationen

Geräteübersicht



- 1 Geschirrauflage
- 2 Zündung
- 3 Bedienfeld
- 4 Nebenbrenner

- 5 Basisabdeckung
- 6 Schnellbrenner
- 7 Brennerplatte



- 1 Nebenbrenner Vorne

- 2 Schnellbrenner Hinten

Technische Daten

Spannung/Frequenz	220-240 V ~ 50 Hz
Sicherung	3 A
Kabeltyp/Kabelquerschnitt	MinimumH05V2V2 3 x 0,75 mm ²
Gasproduktkategorie	II 2E+3+ / I 2E
Gastyp/Gasdruck	NG 20/20 mbar
Gasverbrauch gesamt	3,9 kW
Umstellung auf Gastyp/Gasdruck ^S	Propan 31 mbar/37 mbar
– alternativ	LPG 30/28-30 mbar - NG 25/25 mbar
Außenabmessungen (Höhe/Breite/Tiefe)	75 mm/288 mm/510 mm
Einbaumaße (Breite/Tiefe)	268 mm/490 mm
Kochzonen	
Vorne	Nebenbrenner
Leistung	1000 W
Hinten	Schnellbrenner
Leistung	2900 W



Im Zuge der Qualitätsverbesserung können sich technische Daten ohne Vorankündigung ändern.



Die Abbildungen in dieser Anleitung dienen lediglich der Veranschaulichung und können etwas vom tatsächlichen Aussehen des Gerätes abweichen.



Angaben am Produkt oder in der begleitenden Dokumentation wurden unter Laborbedingungen unter Berücksichtigung der zutreffenden Richtlinien ermittelt. Solche Werte können je nach Einsatzumgebung und Nutzungsweise des Gerätes abweichen.

Injektortabelle

Position, Kochfeldzone	1000 W	
	Vorne	Hinten
Gastyp/Gasdruck		
G 20/20 mbar	72	115
G 30/28-30 mbar	50	87
G 25/25 mbar	72	115
G 31/ 37 mbar	50	87

3 Installation

Gerät vom nächstgelegenen autorisierten Kundendienst gemäß gültigen Bestimmungen installieren lassen. Andernfalls erlischt die Garantie. Der Hersteller haftet nicht für Schäden, die durch Aktivitäten nicht autorisierter Personen entstehen; zudem kann dadurch die Garantie erlöschen.



Die Vorbereitung des Aufstellungsortes und der elektrischen und Gasanschlüsse sind Sache des Kunden.



GEFAHR:

Die Installation des Gerätes muss in Übereinstimmung mit sämtlichen zutreffenden Vorschriften zur Gas- und/oder Elektroinstallation erfolgen.



GEFAHR:

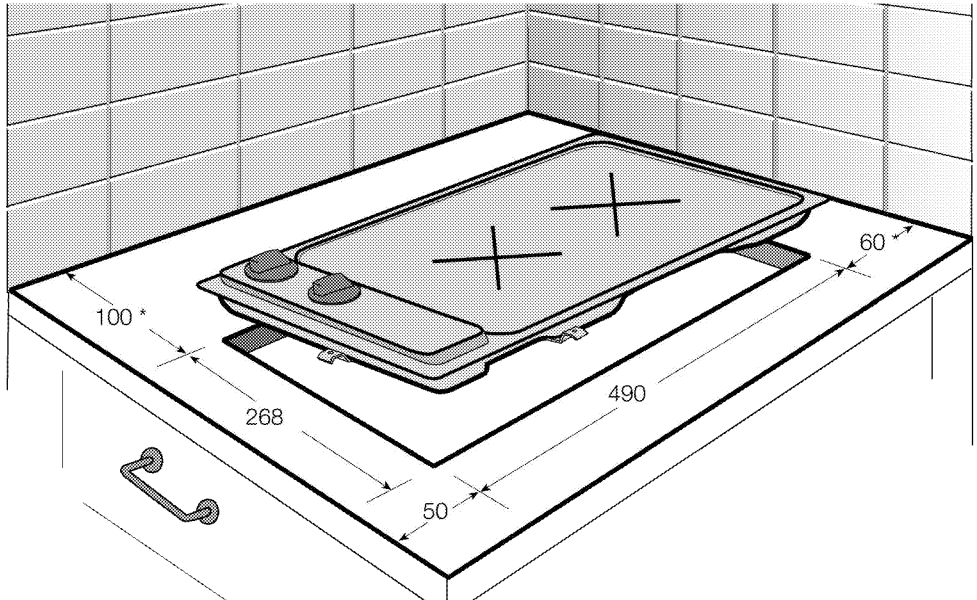
Gerät vor der Installation auf eventuelle, sichtbare Defekte untersuchen. Falls Defekte vorliegen, darf das Gerät nicht installiert werden.

Beschädigte Geräte müssen grundsätzlich als Sicherheitsrisiko betrachtet werden.

Vor der Installation

Das Kochfeld ist für den Einbau in eine handelsübliche Küchenarbeitsplatte vorgesehen. Zwischen Gerät und angrenzenden Küchenwänden und -möbeln muss ein Sicherheitsabstand verbleiben. Siehe Abbildung auf der nächsten Seite (Angaben in mm).

- Das Kochfeld kann auch freistehend benutzt werden. Achten Sie auf einen minimalen Abstand von 750 mm oberhalb des Kochfeldes.
- Wenn eine Dunstabzugshaube über dem Herd installiert werden soll, beachten Sie die Anweisungen des Herstellers zur Installationshöhe (mindestens 650 mm Abstand).
- Verpackungsmaterial und Transportsicherungen entfernen.
- Oberflächen, Kunststoffbeläge und verwendete Kleber müssen hitzebeständig sein (bis mindestens 100 °C).
- Die Küchenarbeitsplatte muss waagrecht ausgerichtet und fixiert sein.
- Die Küchenarbeitsplatte entsprechend den Einbaumaßen ausschneiden.



* Minimum

Raumbelüftung

In sämtlichen Räumen muss ein Fenster zum Öffnen oder eine gleichwertige Belüftungsöffnung vorhanden sein. Bei bestimmten Räumen ist zusätzlich eine

permanente Belüftung erforderlich. Die zur Verbrennung benötigte Luft wird der Raumluft entnommen, Abgase werden direkt in den Raum abgegeben. Eine gute Belüftung ist zum sicheren Betrieb Ihres Gerätes unerlässlich.

Räume mit Türen und/oder Fenstern, die direkt ins Freie führen

Die Öffnung von ins Freie führenden Türen und/oder Fenstern muss den Angaben in nachstehender Tabelle entsprechen. Diese basieren auf der Gasgesamtleistung des Gerätes (den Gasgesamtverbrauch des Gerätes finden Sie in der Tabelle der technischen Daten in dieser Bedienungsanleitung). Falls die gesamte Öffnung der Türen und/oder Fenster nicht dem Gasgesamtverbrauch des Gerätes gemäß nachstehender Tabelle entspricht, muss unbedingt eine zusätzliche Öffnung zur permanenten Belüftung des Raumes geschaffen werden, damit die minimalen Belüftungsvorgaben zum Gasgesamtverbrauch des Gerätes erreicht werden. Die permanente Belüftungsöffnung kann auch mit Hohlblocksteinen, Abzugshaubenrohren etc. realisiert werden.

Gasgesamtverbrauch (kW)	Minimale Belüftungsöffnung (cm ²)
0 – 2	100
2 – 3	120
3 – 4	175
4 – 6	300
6 – 8	400
8 – 10	500
10 – 11,5	600
11,5 – 13	700
13 – 15,5	800
15,5 – 17	900
17 – 19	1000
19 – 24	1250

Räume mit öffnungsfähigen Türen und/oder Fenstern, die direkt ins Freie führen

Falls der Raum, in dem das Gerät installiert wird, über keine direkt ins Freie führenden Fenster/Türen verfügt, müssen zwingend andere Maßnahmen zum Schaffen einer permanenten, nicht verstellbaren und nicht verschließbaren Belüftungsöffnung geschaffen werden, welche den Vorgaben zur minimalen Belüftungsöffnung entsprechend dem Gasgesamtverbrauch des Gerätes gemäß obiger Tabelle entspricht. Zusätzlich sollten entsprechende Gebäudevorgaben berücksichtigt werden.

Wenn Zimmer oder andere Innenräume mit mehreren Gasgeräten ausgestattet werden, müssen zusätzlich zu den Vorgaben der obigen Tabelle weitere Belüftungsmöglichkeiten geschaffen werden. Die

Größe der zusätzlichen Belüftungsfläche muss den Vorgaben für die weiteren Gasgeräte entsprechen. Zusätzlich muss an der Unterkante der zum Raum mit dem aufgestellten Gerät führenden Tür ein Spalt von mindestens 10 mm verbleiben. Sorgen Sie unbedingt dafür, dass dieser Spalt beim Schließen der Tür nicht von Teppichen, anderen Bodenbelägen oder dergleichen blockiert wird.

Der Herd darf in Küchen, offenen Küchen, Esszimmern, Wohn- und Schlafzimmern und dergleichen aufgestellt werden, nicht jedoch in Räumen mit Bad oder Dusche. Der Herd darf nicht in Wohn- und Schlafzimmern mit weniger als 20 m³ Raumvolumen aufgestellt werden.³ Stellen Sie das Gerät nicht in Räumen unter der Erdoberfläche auf, wenn diese nicht an mindestens einer Seite eine Öffnung ins Freie aufweisen.

Einbauen und Anschließen

- Die Installation des Gerätes muss in Übereinstimmung mit sämtlichen zutreffenden Vorschriften zur Gas- und Elektroinstallation erfolgen.

Elektrischer Anschluss

Schließen Sie das Gerät an eine geerdete Schutzkontaktsteckdose/Leitung an, die mit einem Miniatur-Leistungstrennschalter passender Kapazität gemäß der „Technische Daten“-Tabelle abgesichert wird. Lassen Sie durch einen qualifizierten Elektriker eine Erdung vornehmen, egal ob Sie das Produkt mit oder ohne Transformator verwenden. Der Hersteller haftet nicht bei Schäden, die durch den Einsatz des Gerätes ohne vorschriftsmäßige Erdung entstehen.



GEFAHR:

Das Gerät darf nur von einer autorisierten Fachkraft an das Stromnetz angeschlossen werden.

Der Hersteller haftet nicht für Schäden, die durch Aktivitäten nicht autorisierter Dritter entstehen.



GEFAHR:

Das Netzkabel darf nicht eingeklemmt, geknickt oder gequetscht werden und darf nicht mit heißen Geräteteilen in Berührung kommen.

Beschädigte Netzkabel müssen durch einen zugelassenen Elektriker ausgetauscht werden. Andernfalls kann es zu Stromschlägen, Kurzschlüssen und Bränden kommen!

- Der Anschluss muss gemäß nationalen Richtlinien erfolgen.

- Der Netzstecker muss nach der Installation frei zugänglich bleiben, das Netzkabel darf jedoch nicht über das Gerät hinweg verlegt werden.
- Verwenden Sie nur Netzkabel, die den Angaben im Abschnitt „Technische Daten“ entsprechen.



GEFAHR:

Trennen Sie das Gerät vollständig von der Stromversorgung, bevor Sie mit der Elektroinstallation beginnen.
Es besteht Stromschlaggefahr!



Der Netzstecker muss nach der Installation frei zugänglich bleiben, das Netzkabel darf jedoch nicht über das Gerät hinweg verlegt werden.



Beim Ausführen der Elektroinstallation müssen die nationalen/lokalen Elektroinstallationsregeln eingehalten und muss eine korrekte Steckdose und ein passender Stecker für den Ofen verwendet werden. Falls die Anschlusswerte des Geräts zu hoch für den Steckeranschluss sind, muss es ohne Steckverbindung mit direktem Kabelanschluss fest installiert werden.

Stecken Sie den Netzstecker in die Steckdose.

Gasanschluss



GEFAHR:

Das Gerät darf nur durch eine autorisierte und qualifizierte Fachkraft mit der Gasversorgung verbunden werden.
Explosions- und Vergiftungsgefahr durch nicht sachgerechte Reparaturen!
Der Hersteller haftet nicht für Schäden, die durch Aktivitäten nicht autorisierter Dritter entstehen.



GEFAHR:

Vor Arbeiten an der Gasinstallation die Gaszufuhr schließen.
Es besteht Explosionsgefahr!

- Bedingungen und Werte zur Gaseinstellung finden Sie auf den Etiketten (oder auf dem Typenschild).

Beachten Sie die detaillierten Informationen zu Gasanschluss und Umstellung in der beim Produkt mitgelieferten Bedienungsanleitung.

Beachten Sie die detaillierten Informationen zu Gasanschluss und Umstellung in der beim Produkt mitgelieferten Bedienungsanleitung.

Gerät installieren

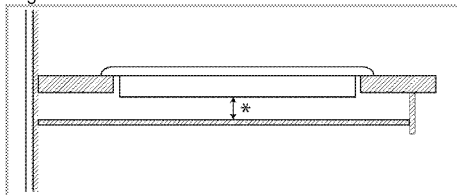
1. Nehmen Sie Brenner, Brennerdeckel und Roste vom Kochfeld des Produktes ab.

2. Drehen Sie das Kochfeld herum; platzieren Sie es auf einem flachen Untergrund.
3. Zentrieren Sie das Produkt auf der Arbeitsplatte.



Bei der Installation des Kochfeldes in einem Möbel muss ein Einlegeboden installiert werden, damit das Möbel vom Kochfeld getrennt wird (vgl. Abbildung oben). Dies ist bei der Installation eines integrierten Ofens nicht erforderlich.

Beispiel: Wenn Sie die Unterseite des Produktes berühren können, da dieses über einer Schublade installiert ist, muss dieser Bereich mit einer Holzplatte abgedeckt werden.

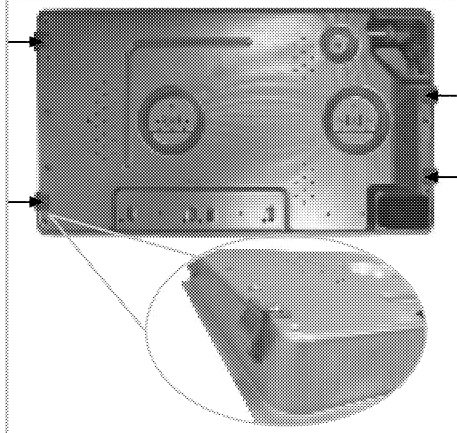


* Minimum 15 mm

Rückansicht (Anschlussöffnungen)



Positionen der nachstehend abgebildeten Verbindungslöcher sind schematisch und können je nach Produktmodell variieren. Befestigen Sie sie entsprechend den Verbindungslöchern an Ihrem Produkt.



Setzen Sie Brennerplatten, Brennerplattenkappen und Gitter nach der Installation wieder an Ort und Stelle.

**GEFAHR:**

Verbindungsklemmen werden (am Kochfeld angebracht) mitgeliefert.
Der Anschluss über mehrere Öffnungen sollte vermieden werden, da es unter Umständen zu Beschädigungen des Gas- und elektrischen Systems kommen kann.

**GEFAHR:**

Das Kochfeld enthält Komponenten, die mit Gas und Strom arbeiten. Aus diesem Grund darf das Kochfeld nur durch die Befestigungslöcher unter ausschließlichem Einsatz der mitgelieferten Befestigungselemente und Schrauben und entsprechend den Anweisungen in der Anleitung an der Arbeitsplatte befestigt werden. Andernfalls besteht eine Gefahr für Leib, Leben und Eigentum.

Endkontrolle

1. Öffnen Sie die Gaszufuhr.
2. Überprüfen Sie die Gasinstallationen auf korrekten Sitz und Dichtigkeit.
3. Entzünden Sie die Kochstellen und kontrollieren das Flammenbild.



Die Flamme muss blau und in regelmäßiger Form brennen. Falls sich die Flamme gelblich färbt, vergewissern Sie sich, dass die Brennerkappe richtig sitzt oder reinigen den Brenner.

Gasumstellung**GEFAHR:**

Vor Arbeiten an der Gasinstallation die Gaszufuhr schließen.
Es besteht Explosionsgefahr!

Zur Umstellung auf eine andere Gasart tauschen Sie sämtliche Injektoren und führen bei sämtlichen Ventilen eine Flammeneinstellung bei geringem Durchfluss durch.

Brennerinjektoren austauschen

1. Brennerdeckel und Brennerkörper abnehmen.
2. Injektoren durch Drehen gegen den Uhrzeigersinn lösen und entfernen.
3. Neue Injektoren einpassen.
4. Alle Verbindungen auf korrekten Sitz und Dichtigkeit überprüfen.

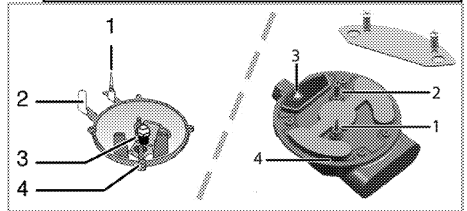


Bei neuen Injektoren orientieren Sie sich an der auf der Verpackung angegebenen Position oder an der Tabelle auf *Injektortabelle, Seite 11*.



((Variiert je nach Produktmodell.))

Bei einigen Brennern ist der Injektor mit einem Metallteil abgedeckt. Diese Metallabdeckung muss bei der Injektorauswechslung entfernt werden.



1. Flammenausfallschutz (je nach Modell)
2. Zündung
3. Injektor
4. Brenner



Falls kein zwingender Grund vorliegt, verzichten Sie auf die Entfernung der Gasbrennerhähne. Zum Austausch der Hähne müssen Sie sich an den autorisierten Kundendienst wenden.

Geringe Gashahn-Gasdurchflusseinstellung

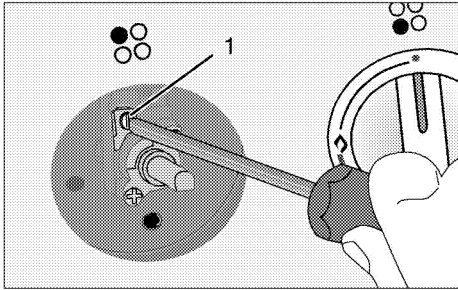
1. Zünden Sie den einzustellenden Brenner, drehen Sie den Bedientopf auf eine geringe Einstellung.
2. Nehmen Sie den Knopf vom Gashahn ab.
3. Gasdurchflusseinstellschraube mit einem passenden Schraubendreher einstellen.

Bei Butan-/Propangas drehen Sie die Schraube im Uhrzeigersinn. Bei Erdgas sollten Sie die Schraube **gegen** den Uhrzeigersinn drehen.

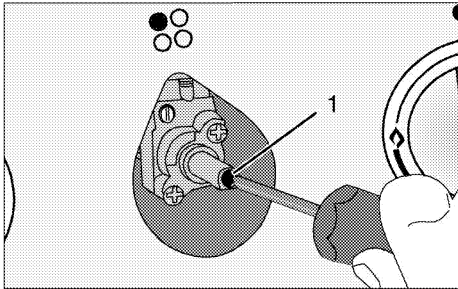
» Die reguläre Flammenhöhe bei reduziertem Durchfluss sollte bei 6 bis 7 mm liegen.

4. Bei höherer Flamme drehen Sie die Schraube im Uhrzeigersinn. Bei kleinerer Flamme drehen Sie gegen den Uhrzeigersinn.
5. Endkontrolle: Stellen Sie den Brenner sowohl auf hohe als auch auf geringe Flammenhöhe ein; die Flamme sollte nicht erlöschen.

Je nach Ausführung des Gasanschlusses Ihres Gerätes kann die Lage der Einstellschraube etwas abweichen.



1 Gasdurchfluss-Einstellschraube



1 Gasdurchfluss-Einstellschraube



Falls die Gasart des Gerätes umgestellt wird, muss auch das Typenschild mit der Gasartangabe entsprechend geändert werden.

Transport

- Bewahren Sie den Originalkarton auf, falls Sie das Gerät künftig transportieren müssen. Halten Sie sich an die Hinweise auf dem Karton. Falls Sie den Originalkarton nicht mehr besitzen sollten, verpacken Sie das Gerät in Luftpolsterfolie oder starken Karton, anschließend gut mit Klebeband sichern.
- Sichern Sie Einschübe, Geschirr und Auflagen mit Klebeband.



Überprüfen Sie das Gerät nach dem Transport genau, überzeugen Sie sich davon, dass es nicht zu Beschädigungen gekommen ist.

4 Vorbereitungen

Tipps zum Energiesparen

Mit den folgenden Hinweisen nutzen Sie Ihr Gerät umweltbewusst und energiesparend:

- Tauen Sie gefrorene Gerichte vor der Zubereitung auf.
- Kochen Sie mit Deckel. Beim Kochen ohne Deckel kann der Energieverbrauch auf das Vierfache ansteigen.
- Wählen Sie stets die zum Bodendurchmesser des Kochgeschirrs passende Kochstelle. Entscheiden Sie sich immer für Kochgeschirr in der passenden Größe. Größeres Kochgeschirr verbraucht mehr Energie.

Erste Inbetriebnahme

Erstreinigung des Gerätes



Durch bestimmte Reinigungsmittel können die Oberflächen des Gerätes beschädigt werden.

Verwenden Sie keine aggressiven Reinigungsmittel, keine Scheuermittel und keine scharfen oder spitzen Gegenstände bei der Reinigung.

1. Entfernen Sie sämtliches Verpackungsmaterial.
2. Geräteoberflächen mit einem feuchten Tuch oder Schwamm abwischen und mit einem Tuch trocknen.

5 Bedienung Kochfeld

Allgemeine Hinweise zum Kochen



Füllen Sie Kochgeschirr maximal bis zu einem Drittel mit Öl. Lassen Sie das Kochfeld niemals unbeaufsichtigt, wenn Sie mit heißem Öl arbeiten. Überhitzte Öle und Fette können Brände verursachen. **Versuchen Sie niemals, Fettbrände mit Wasser zu löschen!** Falls Öle oder Fette Feuer fangen, ersticken Sie die Flammen mit einer Löschdecke, notfalls mit einem leicht feuchten Tuch. Trennen Sie den Herd von der Stromversorgung, falls dies gefahrlos möglich ist. Rufen Sie die Feuerwehr.

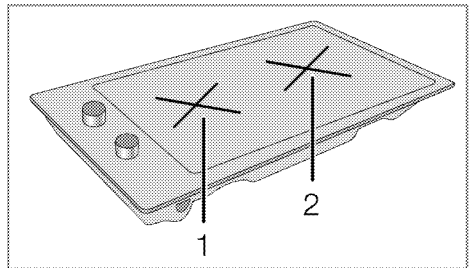
- Vor dem Frittieren trocknen Sie die Lebensmittel gründlich und lassen sie langsam in das heiße Öl hinab. Achten Sie darauf, dass gefrorene Lebensmittel vor dem Frittieren restlos aufgetaut sind.
- Decken Sie das Kochgeschirr beim Frittieren nicht ab.
- Platzieren Sie das Kochgeschirr so auf dem Kochfeld, dass dessen Griffe oder Stiele nicht von anderen Kochstellen erhitzt werden. Stellen Sie keine Behälter auf das Kochfeld, die zum Kippen neigen.
- Stellen Sie kein leeres Kochgeschirr auf eingeschaltete Kochzonen. Es kann zu Beschädigungen kommen.
- Wenn Sie eine Kochzone verwenden, ohne Kochgeschirr darauf zu platzieren, verursacht dies Schäden am Gerät. Schalten Sie die Kochzonen nach dem Gebrauch aus.
- Da sich die Oberfläche des Gerätes erhitzt, legen Sie niemals Gegenstände aus Kunststoff oder Aluminium darauf ab.
- Übrigens sollten Lebensmittel grundsätzlich nicht in solchen Gefäßen gelagert werden.
- Verwenden Sie ausschließlich Kochgeschirr mit flachem Boden.
- Geben Sie die richtige Menge an Lebensmitteln in das jeweilige Kochgeschirr; nicht überfüllen. Dadurch ersparen Sie sich unnötige Reinigungsarbeit durch überlaufende Speisen. Legen Sie die Deckel des Kochgeschirrs nicht auf den Kochzonen ab. Stellen Sie Kochgeschirr so auf das Kochfeld, dass es exakt in der Mitte der Kochzone steht. Wenn Sie Kochgeschirr von einer Kochzone zur

nächsten bewegen möchten, heben Sie das Kochgeschirr an, anstatt es über das Kochfeld zu schieben, da es ansonsten zu Schäden der Glaskeramik kommt.

Mit Gas kochen

- Die Größe von Kochgeschirr und Flamme müssen übereinstimmen. Stellen Sie die Gasflammen so ein, dass sie nicht über den Boden des Kochgeschirrs hinausschlagen; stellen Sie das Kochgeschirr mittig auf den Träger.

Kochfeld verwenden



- 1 Nebenbrenner 12-18 cm
- 2 Schnellbrenner 22-24 cm ist eine Liste mit für die jeweiligen Brenner empfohlenen Geschirrdurchmessern.



WARNUNG

Verwenden Sie kein Kochgeschirr jenseits der obigen Abmessungsgrenzen. Der Einsatz größeren Kochgeschirrs birgt die Gefahr einer Kohlenmonoxidvergiftung sowie einer Überhitzung benachbarter Flächen und Bedienelemente. Kleineres Kochgeschirr birgt das Risiko von Verbrennungen durch die Flamme.

Das große Flammensymbol zeigt die höchste, das kleine Flammensymbol zeigt die geringste Leistungsstufe an. In der Aus-Position (oben) werden die Brenner nicht mit Gas versorgt.

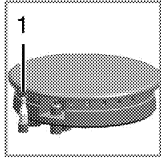
Gasbrenner zünden

1. Halten Sie den Knopf des Brenners gedrückt.
 2. Drehen Sie ihn gegen den Uhrzeigersinn auf das große Flammensymbol.
- » Nun werden Funken erzeugt, die das Gas entzünden.
3. Passen Sie die Leistungsstufe wie gewünscht an.

Gasbrenner abschalten

Drehen Sie den Regler der Warmhaltezone in die Aus-Position (oben).

Sicherheitssystem zur Gasabschaltung (bei Modellen mit Thermokomponente)



1. Sichere Gasabschaltung

Falls Flüssigkeiten überkochen und die Gasflamme zum Erlöschen bringen, greift ein Sicherheitsmechanismus ein und sperrt die Gaszufuhr.

- Drücken Sie den Regler hinein; drehen Sie ihn zum Zünden gegen den Uhrzeigersinn.
- Halten Sie den Regler nach dem Entzünden des Gases noch weitere 3 – 5 Sekunden lang gedrückt; andernfalls schaltet sich der Brenner aus Sicherheitsgründen wieder ab.
- Falls sich das Gas nach Betätigung des Reglers nicht entzündet, wiederholen Sie das Verfahren, indem Sie den Regler weitere 15 Sekunden lang gedrückt halten.



GEFAHR:

Lassen Sie die Taste los, falls der Brenner nicht innerhalb 15 Sekunden zündet. Warten Sie mindestens eine Minute ab, bevor Sie es erneut versuchen. Es besteht Explosionsgefahr durch Gasansammlungen!

6 Reinigung und Wartung

Allgemeine Hinweise

Durch regelmäßiges Reinigen verlängern Sie die Lebenserwartung Ihres Gerätes und beugen Fehlfunktionen vor.



GEFAHR:

Trennen Sie das Gerät von der Stromversorgung, bevor Sie es reinigen. Es besteht Stromschlaggefahr!



GEFAHR:

Lassen Sie das Gerät vor dem Reinigen gründlich abkühlen. Verbrennungsgefahr durch heiße Flächen!

- Reinigen Sie das Gerät nach jedem Gebrauch gründlich. Dadurch lassen sich Speisereste leichter entfernen und können beim nächsten Einsatz des Gerätes nicht einbrennen.
- Zur Reinigung benötigen Sie keine Spezialreiniger. Verwenden Sie am besten warmes Wasser mit etwas herkömmlichem Reiniger, ein weiches Tuch oder einen Schwamm. Anschließend mit einem Tuch trocknen.
- Achten Sie stets darauf, überschüssige und verschüttete Flüssigkeiten nach der Reinigung gründlich ab- bzw. aufzuwischen.
- Wenn Sie Edelstahl und Griffe reinigen verzichten Sie auf Reinigungsmittel, die Säuren oder Chlor enthalten. Reinigen Sie diese Teile mit einem weichen Tuch und etwas Flüssigreiniger (kein Scheuermittel); wischen Sie dabei am besten nur in eine Richtung.



Durch bestimmte Reinigungsmittel können die Oberflächen des Gerätes beschädigt werden. Verwenden Sie keine aggressiven Reinigungsmittel, keine Scheuermittel und keine scharfen oder spitzen Gegenstände bei der Reinigung.



Nutzen Sie keine Dampfreiniger zur Reinigung des Gerätes – es besteht Stromschlaggefahr.

Kochfeld reinigen

Gaskochstellen

1. Entfernen und reinigen Sie die Träger und Brennerdeckel.

2. Kochfeldmulde reinigen.
3. Bringen Sie die Brennerdeckel an; achten Sie darauf, dass sie fest sitzen.
4. Achten Sie bei der Anbringung der oberen Roste darauf, die Träger so zu platzieren, dass sich die Brenner exakt in der Mitte befinden.

Glaskeramik

Wischen Sie die Glaskeramik mit einem mit warmem Wasser angefeuchteten Tuch sauber. Anschließend mit einem weichen Tuch trocknen. Achten Sie darauf, dass keine Rückstände auf der Glaskeramik verbleiben; andernfalls kann das Kochfeld bei der nächsten Nutzung beschädigt werden.

Versuchen Sie niemals, Rückstände mit Messern, Stahlwolle und ähnlichen Hilfsmitteln von der Glaskeramik zu entfernen.

Entfernen Sie Kalkflecken (beige bis gelbe Flecken) mit etwas Kalkentferner; Essig oder Zitronensaft funktionieren ebenfalls. Alternativ können Sie entsprechende handelsübliche Produkte verwenden. Bei hartnäckigen Verschmutzungen tragen Sie Reinigungsmittel mit einem Schwamm auf und warten ab, bis das Mittel richtig in den Schmutz eingezogen ist. Anschließend wischen Sie die Glaskeramik des Kochfeldes mit einem feuchten Tuch sauber.



Stark zuckerhaltige Lebensmittel müssen sofort entfernt werden, bevor die Glaskeramik abkühlt. Andernfalls kann die Glaskeramik dauerhaft beschädigt werden.

Mit der Zeit kann es zu leichten Farbveränderungen der Glaskeramik und der Markierungen kommen. Die Funktion des Gerätes wird dadurch nicht beeinträchtigt. Farbveränderungen und sonstige leichte optische Veränderungen sind bei Glaskeramik normal; es handelt sich nicht um einen Defekt.

Bedienfeld reinigen

Reinigen Sie Bedienfeld und Knöpfe mit einem feuchten Tuch; anschließend trocken reiben.



Falls Ihr Produkt mit mechanischen Tasten oder Knöpfen ausgestattet ist, ziehen Sie die diese zum Reinigen des Bedienfeldes nicht ab. Das Bedienfeld kann beschädigt werden!

7 Problemlösungen

Beim Aufheizen und Abkühlen sind metallische Geräusche zu hören.

- Wenn sich die Temperatur von Metallteilen ändert, dehnen sich diese aus oder ziehen sich zusammen – dabei entstehen Geräusche. >>> *Dies ist kein Fehler.*

Es entsteht kein Zündfunke.

- Kein Strom. >>> *Sicherungen im Sicherungskasten kontrollieren.*

Es gibt kein Gas.

- Der Hauptgashahn ist geschlossen. >>> *Öffnen Sie den Gashahn.*
- Der Gasanschluss ist verbogen. >>> *Installieren Sie den Gasanschluss richtig.*

Die Brenner brennen nicht bzw. nicht richtig.

- Brenner sind verschmutzt. >>> *Reinigen Sie die Brennerkomponenten.*
- Die Brenner sind feucht. >>> *Trocknen Sie die Brennerkomponenten.*
- Die Brennerkappe ist nicht sicher angebracht. >>> *Bringen Sie die Brennerkappe richtig an.*
- Der Gashahn ist geschlossen. >>> *Öffnen Sie den Gashahn.*
- Die Gasflasche ist leer (beim Einsatz von Butangas). >>> *Tauschen Sie die Gasflasche aus.*

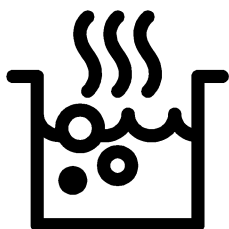


Falls sich ein Problem nicht mit den obigen Hinweisen lösen lassen sollte, wenden Sie sich bitte an den autorisierten Kundendienst oder an den Händler, bei dem Sie das Gerät gekauft haben. Versuchen Sie niemals, ein defektes Gerät selbst zu reparieren.



Inbouwkookplaat

Gebruikershandleiding



NL

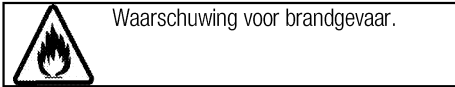
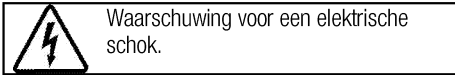
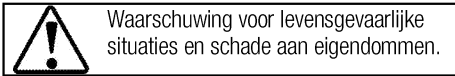
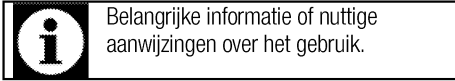
Gelieve eerst deze gebruikershandleiding te lezen!

Beste klant,

Dank u voor het aankopen van een Beko-product. We hopen dat u de beste resultaten verkrijgt uit uw product, dat vervaardigd is met de allernieuwste technologie van hoge kwaliteit. Lees daarom deze volledige gebruikershandleiding en alle andere bijgevoegde documenten zorgvuldig door voordat u het product in gebruik neemt en houd deze ter referentie voor toekomstig gebruik. Als u het product aan iemand anders overdraagt, voeg daar dan de gebruikershandleiding ook bij. Volg alle waarschuwingen en informatie in deze gebruikershandleiding op. Vergeet niet dat deze gebruikershandleiding ook van toepassing kan zijn op verschillende andere modellen. De verschillen tussen de modellen zijn duidelijk aangegeven in de handleiding.

Verklaring van symbolen

In deze gebruikershandleiding worden de volgende symbolen gebruikt:



Arçelik A.Ş.
Karaağaç caddesi No:2-6
34445 Sütlüce/Istanbul/TURKEY
Made in TURKEY

**1 Belangrijke instructies en
waarschuwingen voor veiligheid en
milieu 4**

Algemene veiligheid	4
Veiligheid bij het werken met gas	4
Elektrische veiligheid	6
Productveiligheid	7
Bedoeld gebruik	8
Kindveiligheid	8
Het oude product afvoeren	8
Verpakkingsmateriaal afvoeren	8

2 Algemene informatie 9

Overzicht	9
Technische specificaties	10
Injectortafel	10

3 Installatie 11

Voor installatie	11
Installatie en verbinding	12
Gasomzetting	14
Toekomstig transport	15

4 Voorbereidingen 16

Tips om energie te besparen	16
Het eerste gebruik	16
Eerste reiniging van het toestel	16

5 De kookplaat gebruiken 17

Algemene informatie over koken	17
Gebruik van de kookplaten	17

6 Onderhoud en verzorging 19

Algemene informatie	19
Reiniging van de kookplaat	19
Het bedieningspaneel reinigen	19

7 Problemen oplossen 20

1 Belangrijke instructies en waarschuwingen voor veiligheid en milieu

Dit gedeelte bevat veiligheidsvoorschriften die helpen persoonlijk letsel of schade aan eigendommen te voorkomen. Het niet opvolgen van deze instructies laat alle garantie vervallen.

Algemene veiligheid

- Dit apparaat kan worden gebruikt door kinderen vanaf 8 jaar en personen met verzwakte fysieke, zintuiglijke of mentale toestand, of met een gebrek aan ervaring en kennis, als deze onder toezicht staan of instructies zijn gegeven betreffende het veilige gebruik van het apparaat en op de hoogte zijn van de betrokken gevaren. Laat kinderen niet met het apparaat spelen. Reiniging en gebruikersonderhoud dienen niet zonder toezicht door kinderen uitgevoerd te worden.
- Dit apparaat mag niet worden gebruikt door personen (kinderen inbegrepen) in verzwakte fysieke, zintuiglijke of mentale toestand, of met een gebrek aan ervaring en kennis, tenzij ze onder toezicht staan of instructies hebben gekregen. Zie erop toe dat kinderen niet met het apparaat spelen.

- Indien het product voor persoonlijk of tweedehands gebruik aan iemand anders wordt overgedragen, dienen de gebruikershandleiding, productetiketten en andere relevante documenten en onderdelen ook te worden overhandigd.
- Installatie- en reparatiewerk moet altijd uitgevoerd worden door bevoegde serviceagenten. De fabrikant is niet aansprakelijk voor schade die voortvloeit uit werkzaamheden door onbevoegde personen. Dit kan de garantie ongeldig maken. Lees alvorens de installatie de instructie zorgvuldig door.
- Gebruik het apparaat niet als het defect is of zichtbare schade vertoont.
- Controleer of de functieknoppen van het product na ieder gebruik zijn uitgeschakeld.

Veiligheid bij het werken met gas

- Werk aan gasapparatuur of gassystemen mag uitsluitend worden uitgevoerd door bevoegde gekwalificeerde personen.
- Voor installatie dient u te controleren of de omstandigheden van de

plaatselijke distributie (gastype en gasdruk) en de afstelling van het toestel compatibel zijn.

- Dit toestel is niet verbinden aan een evacuatietoestel voor verbrandingsproducten. Het moet in overeenstemming met de huidige installatievoorschriften worden geïnstalleerd en aangesloten. Er moet in het bijzonder worden gelet op de vereisten betreffende ventilatie; Zie *Voor installatie, pagina 11*
- OPGELET: Een kookgastoestel produceert hitte, vocht en verbrandingsproducten in de kamer waar dit apparaat wordt gebruikt. Zorg ervoor dat de keuken goed geventileerd is vooral bij gebruik van het toestel: zorg voor een natuurlijke ventilatie en laat de ventilatieopening open. Plaats eventueel een extra ventilatietoestel (dampkap). Bij langdurig intensief gebruik van het apparaat kan aanvullende ventilatie nodig zijn, bijvoorbeeld het vergroten van de mechanische ventilatie waar deze aanwezig is.
- Gastoestellen en -systemen moeten regelmatig worden gecontroleerd op correct functioneren. Regelaar, slang en zijn klem dienen regelmatig gecontroleerd te worden en door

de fabrikant binnen aanbevolen termijn of indien nodig vervangen te worden.

- Reinig de gasbranders regelmatig. De vlammen horen blauw te zijn en gelijkmatig te branden.
- Dit product dient te worden gebruikt in een ruimte die is uitgerust met een juist aangepaste en werkende koolmonoxidesensor. Zorg ervoor dat de koolmonoxidesensor correct werkt en regelmatig wordt onderhouden. De koolmonoxidesensor dient maximaal 2 meter van het product geïnstalleerd te worden.
- Goede verbranding is vereist bij gastoestellen. In geval van onvolledige verbranding kan zich koolmonoxide (CO) ontwikkelen. Koolmonoxide is een kleurloos, geurloos en zeer giftig gas, dat een dodelijk effect heeft in zelfs zeer kleine hoeveelheden.
- Vraag bij uw lokale gasleverancier informatie over telefoonnummers bij een gasnoodgeval en veiligheidsvoorschriften in geval van gasgeur.

Wat u moet doen wanneer u gas ruikt

- Gebruik geen open vuur en rook niet. Gebruik geen elektrische knoppen (bijv. lamschakelaar, deurbel en enz.) Gebruik geen

vaste of mobiele telefoons.

Explosie- en vergiftigingsgevaar!

- Open deuren en ramen.
- Sluit alle kleppen op gastoestellen en gasmeters.
- Controleer alle buizen en verbindingen op dichtheid. Indien u nog steeds gas ruikt, verlaat dan het appartement.
- Waarschuw de bureu.
- Bel de brandweer. Gebruik een telefoon buitenshuis.
- Ga de eigendom niet opnieuw binnen tot men u zegt dat het veilig is dit te doen.

Elektrische veiligheid

- Indien het product een defect heeft, moet het niet in gebruik worden genomen zonder dat het gerepareerd is door een bevoegde onderhoudsdienst. Er is kans op elektrische schokken!
- Sluit het product uitsluitend aan op een geaarde uitgang/lijn met een voltage en beveiliging zoals gespecificeerd in de "Technische specificaties". Laat de aardingsinstallatie aanleggen door een bevoegd elektricien terwijl u het product met of zonder transformator gebruikt. Ons bedrijf is niet aansprakelijk voor problemen die zijn ontstaan doordat het product niet geaard is in overeenstemming met de plaatselijke voorschriften.
- Reinig het product nooit door er water overheen te gooien! Er is kans op elektrische schokken!
- Raak de stekker nooit met natte handen aan! Trek de stekker nooit uit aan de kabel, trek altijd aan de stekker.
- Het product moet tijdens installatie, onderhoud, reiniging en reparatiehandelingen losgekoppeld zijn.
- Als het stroomkabel van het product beschadigd is, moet deze om gevaar te voorkomen worden vervangen door de fabrikant, door zijn onderhoudsdienst of door soortgelijke bevoegde personen.
- Het apparaat dient dusdanig geïnstalleerd te zijn dat het volledig van het netwerk afgesloten kan worden. De loskoppeling dient te geschieden door het uittrekken van de stekker of het uitschakelen van een schakelaar die in de vaste elektrische installatie is ingebouwd, volgens de constructievoorschriften.
- Werk aan elektrische apparatuur of systemen mag uitsluitend worden uitgevoerd door bevoegde en gekwalificeerde personen.
- Zet in geval van schade het product uit en sluit het af van het elektriciteitsnet. Verwijder daartoe de zekering in huis.

- Zorg ervoor dat de stroomwaarde van de zekering compatibel is met het product.

Productveiligheid

- **WAARSCHUWING:** Het toestel en de toegankelijke onderdelen worden warm tijdens de werking. Zorg ervoor dat u geen verwarmingselementen aanraakt. Behalve als ze voortdurend onder toezicht staan, moeten kinderen jonger dan 8 jaar uit de buurt worden gehouden.
 - Gebruik het product niet wanneer uw beoordelingsvermogen of coördinatie nadelig beïnvloed worden door het gebruik van drugs en/of alcohol.
 - Wees voorzichtig bij het gebruiken van alcoholische dranken in uw maaltijden. Alcohol verdampt bij hoge temperaturen en kan brand veroorzaken aangezien het vlam vat wanneer het in contact komt met warme oppervlakken.
 - Plaats geen ontvlambare materialen dichtbij het apparaat aangezien de zijkanten heet worden tijdens gebruik.
 - Houd alle ventilatiesleuven vrij van obstakels.
 - Gebruik geen stoomreinigers om het toestel schoon te maken, want dat kan elektrische schokken veroorzaken.
 - **WAARSCHUWING:** Onbeheerd koken op een kookplaat met vet of olie kan gevaarlijk zijn en kan leiden tot brand. Probeer NOOIT een brand met water te blussen, maar schakel het apparaat uit en bedek vervolgens de vlam met bijvoorbeeld, een deksel of een branddeken.
 - **OPGELET:** Er moet worden toegezien op het kookproces. Er moet voortdurend worden toegezien op een kort kookproces.
 - **WAARSCHUWING:** Brandgevaar: Bewaar geen items op de kookplaten.
 - **WAARSCHUWING:** Als het oppervlak gebarsten is, schakel het apparaat uit om de mogelijkheid van een elektrische schok te voorkomen.
 - In geval van een breuk van de glazen kookplaat: Sluit onmiddellijk alle branders en het elektrisch verwarmingselement af en trek de stekker uit het stopcontact. Raak het apparaatoppervlak niet aan. Gebruik het apparaat niet.
- Voor de betrouwbaarheid van de brandbaarheid van het product;
- Zorg ervoor dat de stekker past bij de contactdoos en dat er geen vonken kunnen ontstaan.
 - Gebruik geen beschadigde of gesneden kabel of een

verlengkabel, behalve de originele kabel.

- Zorg ervoor dat er geen vloeistof of vocht zit op de ingestoken stekker van het product.
- Zorg ervoor dat uw gasaansluiting danig is geïnstalleerd dat er geen gaslek kan ontstaan.

Bedoeld gebruik

- Dit product is bedoeld voor huishoudelijk gebruik. Commercieel gebruik is niet toegelaten.
- OPGELET: Dit toestel is uitsluitend bedoeld voor het koken. Het mag niet als verwarmingstoestel worden gebruikt".
- De fabrikant is niet aansprakelijk voor schade veroorzaakt door foutief gebruik of bediening.

Kindveiligheid

- **WAARSCHUWING:** Toegankelijke onderdelen kunnen tijdens gebruik heet worden. Houd jonge kinderen uit de buurt.
- De verpakkingsmaterialen kunnen gevaarlijk zijn voor kinderen. Houd de verpakkingsmaterialen buiten het bereik van kinderen. Doe alle delen van de verpakking weg volgens de milieunormen.

- Elektrische en/of gastoestellen zijn gevaarlijk voor kinderen. Houd kinderen bij het product vandaan als het in gebruik is en sta niet toe dat ze ermee spelen.
- Plaats geen items boven het toestel binnen het bereik van kinderen.

Het oude product afvoeren

Voldoet aan de WEEE-richtlijn en de richtlijnen voor afvoeren van het restproduct:



Dit product voldoet aan de EU-richtlijn WEEE (2012/19/EU). Dit product is voorzien van een classificatiesymbool voor afvalsortering van elektrische en elektronische apparatuur (WEEE).

Dit product werd vervaardigd uit onderdelen en materialen van hoge kwaliteit die hergebruikt kunnen worden en geschikt zijn voor recycling. Gooi het restproduct aan het einde van zijn levensduur niet weg bij normaal huishoudelijk of ander afval. Breng het naar het verzamelpunt voor recycling van elektrische en elektronische apparatuur. Raadpleeg uw plaatselijke autoriteiten om te weten waar u deze verzamelpunten aantreft.

Voldoet aan RoHS-richtlijn:

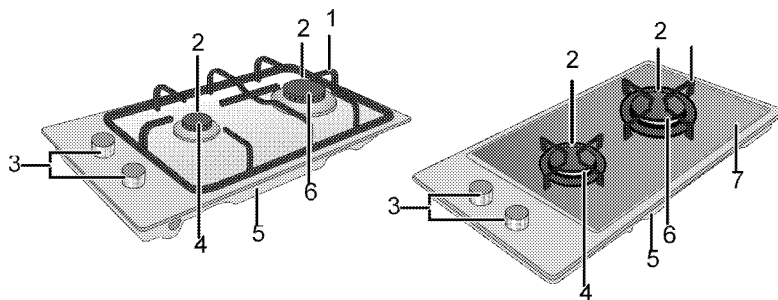
Het door u aangekochte product voldoet aan de EU-richtlijn RoHS (2011/65/EU). Het bevat geen schadelijke en verboden materialen die in deze richtlijn zijn opgenomen.

Verpakkingsmateriaal afvoeren

- Verpakkingsmateriaal is gevaarlijk voor kinderen. Houd verpakkingsmateriaal op een veilige plek buiten het bereik van kinderen. Verpakkingsmateriaal van het product wordt vervaardigd van recyclebaar materiaal. Voer het netjes af en sorteer het overeenkomstig de regels voor recyclebaar afval. Werp het niet weg bij het normale huisafval.

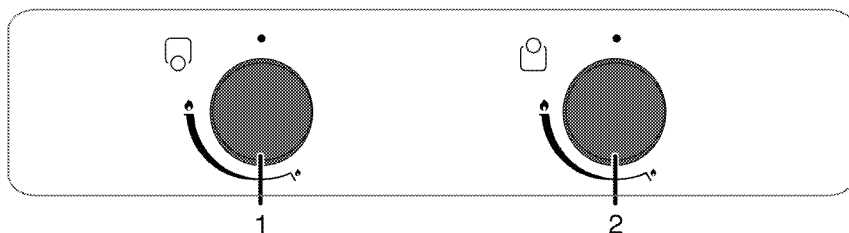
2 Algemene informatie

Overzicht



- 1 Pannendrager
- 2 Ontsteking
- 3 Bedieningspaneel
- 4 hulpbrander

- 5 Basisdeksel
- 6 Snelbrander
- 7 Branderplaat



- 1 hulpbrander Voor

- 2 Snelbrander Achter

Technische specificaties

Elektrische spanning / frequentie	220-240 V ~ 50 Hz
Zekering	3 A
Kabeltype/-functionaliteit	min.H05V2V2 3 x 0,75 mm ²
Categorie van gasproduct	II 2E+3+ / I 2E
Gastype/druk	NG 20/20 mbar
Totaal gasverbruik	3,9 kW
Omzetting naar gas type/druk ^S	Propaan 31 mbar/37 mbar
– optioneel	LPG 30/28-30 mbar - NG 25/25 mbar
Buitenste afmetingen (hoogte/breedte/diepte)	75 mm/288 mm/510 mm
Toestelafmetingen (breedte/diepte)	268 mm/490 mm
Branders	
Voor	hulpbrander
Stroom	1000 W
Achter	Snelbrander
Stroom	2900 W



De technische specificaties mogen zonder voorafgaande kennisgeving gewijzigd worden om de productkwaliteit te verbeteren.



De afbeeldingen in deze handleiding zijn schematisch en komen mogelijk niet exact overeen met uw product.



Waarden vermeld op de productlabels of in de bijgeleverde documentatie worden verkregen onder laboratoriumomstandigheden overeenkomstig de relevante standaarden. Deze waarden kunnen schommelen afhankelijk van de werkings- en omgevingsomstandigheden van het product.

Injectortafel

Position kookplaatzone	1000 W	2900 W
Gastype / Gasdruk	Voor	Achter
G 20/20 mbar	72	115
G 30/28-30 mbar	50	87
G 25/25 mbar	72	115
G 31/ 37 mbar	50	87

3 Installatie

Product dient geïnstalleerd te worden door een bekwaam persoon in overeenstemming met de van kracht zijnde voorschriften. De fabrikant is niet aansprakelijk voor schade die voortvloeit uit werkzaamheden door onbevoegde personen. Mogelijk kan dit de garantie ongeldig maken.



De voorbereiding van de locatie en de elektriciteits- en gasinstallatie voor het product vallen onder de verantwoordelijkheid van de klant.



GEVAAR:

Het product moet aangesloten worden overeenkomstig de lokale gas- en elektriciteitsvoorschriften.



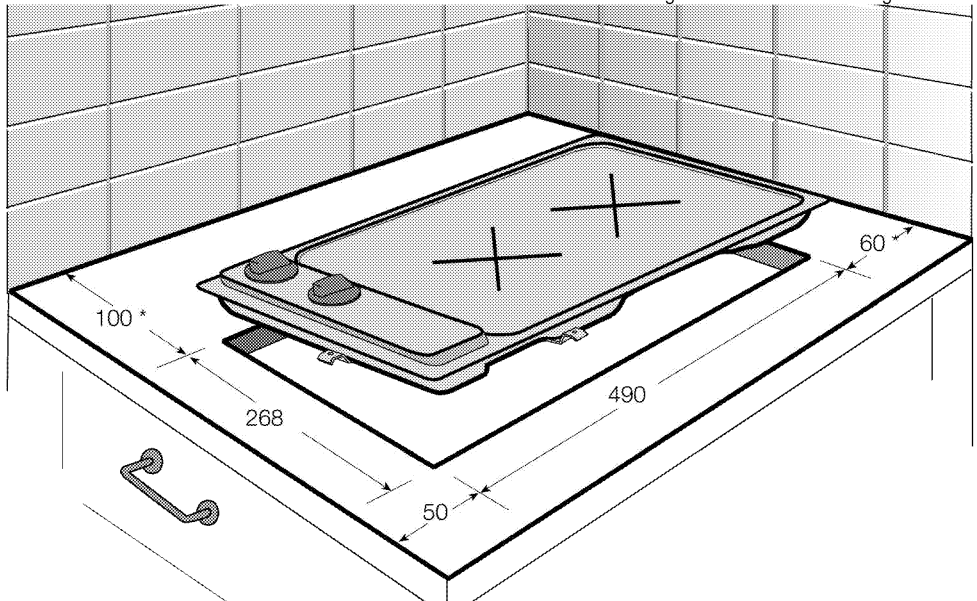
GEVAAR:

Controleer vóór installatie van het product of het zichtbare gebreken heeft. Zo ja, laat het dan niet installeren. Beschadigde producten vormen een gevaar voor uw veiligheid.

Voor installatie

De kookplaat is ontworpen voor installatie in een commercieel werkblad. Er moet een veiligheidsafstand worden gelaten tussen het apparaat en de keukenwanden en het keukenmeubilair. Zie afbeelding (waarden in mm).

- Het fornuis kan ook losstaand worden geplaatst. Voorzie een minimumafstand van 750 mm boven het kookoppervlak.
- (*) Indien boven het fornuis een afzuigkap wordt geplaatst, dient u de instructies van de fabrikant te raadplegen met betrekking tot de installatiehoogte (minstens 650 mm)
- Verwijder verpakkingsmateriaal en transportsloten.
- Oppervlakken, synthetische laminaten en hechtmiddelen die worden gebruikt, moeten warmtebestendig zijn. (100° C minimum).
- Het werkblad moet uitgelijnd zijn en horizontaal bevestigd zijn.
- Maak een opening voor de kookplaat in het werkblad volgens de installatieafmetingen.



* min.

Kamerventilatie

Elke kamer moet worden voorzien van een te openen venster of iets gelijkaardigs. Sommige kamers zullen moeten worden voorzien van een permanente

ventilatie. De lucht voor verbranding wordt opgenomen vanuit de lucht in de kamer en de uitlaatgassen worden rechtstreeks in de kamer uitgestoten. Goede kamerventilatie is essentieel voor de veilige werking van uw apparaat.

Kamers met deuren en/of vensters die rechtstreeks in contact staan met de buitenlucht

De deuren en/of vensters die rechtstreeks naar buiten openen dienen voorzien te zijn van een ventilatieopening met de afmetingen die in de onderstaande tabel worden aangegeven en die gebaseerd is op het totale gasvermogen van het apparaat (totaal gasverbruik van het apparaat wordt aangegeven in de technische specificatietabel van deze gebruikershandleiding). Als de deuren en/of vensters geen totale ventilatieopening hebben die overeenkomt met het totale gasverbruik van het apparaat zoals in onderstaande tabel aangegeven, dan dient de ruimte absoluut van een extra vaste ventilatieopening te worden voorzien om ervoor te zorgen dat aan de totale minimale ventilatievereisten voor het totale gasverbruik van het apparaat wordt voldaan. De vaste ventilatieopening kan bestaan uit bestaande gaatstenen, luchtopeningen voor afzuigkappen, enz.

Totaal gasverbruik (kW)	min. ventilatieopening (cm ²)
0 - 2	100
2 - 3	120
3 - 4	175
4 - 6	300
6 - 8	400
8 - 10	500
10 - 11,5	600
11,5 - 13	700
13 - 15,5	800
15,5 - 17	900
17 - 19	1.000
19 - 24	1.250

Kamers met deuren en/of vensters die niet rechtstreeks in contact staan met de buitenlucht

Als de kamer waar het apparaat wordt geïnstalleerd geen deur en/of venster heeft dat rechtstreeks naar buiten opent, dienen er andere producten te worden gezocht die een vaste, niet-aanpasbare en niet-sluitbare ventilatieopening biedt die voldoet aan de totale minimale ventilatieopeningsvereisten voor het totale gasverbruik van het apparaat, zoals aangegeven in de bovenstaande tabel. Ook dienen de van toepassing zijnde wettelijke adviezen voor gebouwen te worden opgevolgd.

Als een kamer of binnenruimte meer dan één gasapparaat bevat, dient er te worden voorzien in extra

ventilatie ruimte bovenop de vereiste zoals aangegeven in de bovenstaande tabel. De grootte van de extra ventilatie ruimte zal moeten voldoen aan de voorschriften van andere gasapparaten.

Er dient in de kamer waar het apparaat wordt geïnstalleerd ook een minimale ruimte van 10 mm te zitten tussen de onderrand van de deur (die naar binnen opent) en de vloer. U dient ervoor te zorgen dat items zoals vloerkleden en andere vloerbedekkingen enz. deze ruimte niet blokkeren als de deur gesloten is. Het fornuis kan worden geplaatst in een keuken, een keuken/eetkamer of in een slaap-/woonkamer, maar niet in een ruimte met een bad of douche. Het fornuis mag niet worden geplaatst in een slaap-/woonkamer met een oppervlakte van minder dan 20 m³. Installeer dit apparaat niet in een ruimte onder de grond (bijv. kelder) tenzij deze ruimte aan minstens een kant volledig open is naar het grondniveau.

Installatie en verbinding

- Het product moet overeenkomstig de lokale gas- en elektriciteitsvoorschriften aangesloten worden.

Elektrische aansluiting

Sluit het product aan op een geaarde contactdoos die beveiligd is door een zekering met geschikte capaciteit zoals vermeld in de tabel "Technische specificaties". Laat de aardingsinstallatie aanleggen door een bevoegd elektricien terwijl u het product met of zonder transformator gebruikt. Ons bedrijf is niet aansprakelijk voor schade die voortvloeit uit het gebruik van het product zonder een aardingsinstallatie overeenkomstig de plaatselijke voorschriften.



GEVAAR:

Het product mag uitsluitend door een bevoegde en gekwalificeerde persoon op de netvoeding aangesloten worden. De garantieperiode van het product gaat uitsluitend in na correcte installatie. De fabrikant is niet aansprakelijk voor schade die voortvloeit uit werkzaamheden door onbevoegde personen.



GEVAAR:

De stroomkabel mag niet worden vastgeklemd, verbogen of samengedrukt of in contact komen met warme onderdelen van het product. Een beschadigde stroomkabel moet door een bevoegde elektricien worden vervangen. Anders bestaat er een risico op een elektrische schok, kortsluiting of brand!

- De aansluiting moet voldoen aan de landelijke voorschriften.

- De gegevens over de stroomvoorziening moeten overeenkomen met de gegevens vermeld op het typeplaatje van het product. Het modellabel bevindt zich op de achterkant van het product.
- De stroomkabel van uw product moet voldoen aan de waarden in de tabel "Technische specificaties".

GEVAAR:
Koppel het product los van het elektriciteitsnet voordat met werk aan de elektrische installatie begonnen wordt.
Er is kans op elektrische schokken!

i De netstekker moet na de installatie goed te bereiken zijn (niet boven de kookplaat leiden).

i Tijdens het aanleggen van de bedrading dient u de nationale/plaatselijke elektrische voorschriften na te leven en de geschikte contactdoos en stekker voor de oven te gebruiken. In het geval de stroomlimieten van het product de draagcapaciteit van de stekker en contactdoos overschrijden, dient het product direct op de vaste elektrische installatie te worden aangesloten zonder de stekker en contactdoos te gebruiken.

Steek de stroomkabel in de contactdoos.

Gaskoppeling

GEVAAR:
Product mag slechts door een bevoegd en gekwalificeerd persoon aan het gastoevoersysteem worden aangesloten. Explosie- of vergiftigingsgevaar door onprofessionele reparaties!
De fabrikant is niet aansprakelijk voor schade die voortvloeit uit werkzaamheden door onbevoegde personen.

GEVAAR:
Sluit de gastoevoer af voordat u begint te werken aan de gasinstallatie.
Er is explosiegevaar!

- Gasafstelcondities en -waarden zijn aangegeven op labels (of op modellabel).

Raadpleeg de gedetailleerde gasaansluiting- en gasconversie-informatie in de bij dit product geleverde gebruikershandleiding.

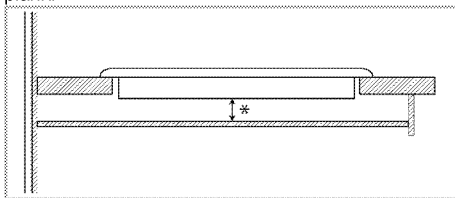
Raadpleeg de gedetailleerde gasaansluiting- en gasconversie-informatie in de bij dit product geleverde gebruikershandleiding.

Het product installeren

1. Verwijder de branders, de branderdeksele en de roosters van de kookplaat van het product.
2. Draai de kookplaat om en leg deze op een vlak oppervlak.
3. Plaats de kookplaat op het aanrecht en lijn deze uit.

i Bij de installatie van de kookplaat op een kastje dient er een plank geïnstalleerd te worden om de kast van de kookplaat af te scheiden, zoals weergegeven in de bovenstaande afbeelding. Dit is niet nodig indien er geïnstalleerd wordt op een inbouwoven.

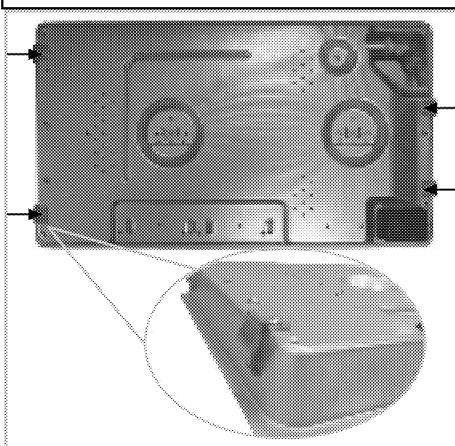
Indien het bijvoorbeeld mogelijk is de onderkant van het product aan te raken bij installatie op een lade dient dit gedeelte afgedekt te worden met een houten plank.



* min. 15 mm

Achteraanzicht (aansluitopeningen)

i De locatie van de verbindingsgaten op onderstaande afbeelding zijn schematisch en kunnen verschillen afhankelijk van het model. Deze moeten worden aangepast in functie van de verbindingsgaten die op uw product zijn aangebracht.



Na montage de branderplaten, de kappen van de branderplaten en grills terug op hun plaats zetten.

**GEVAAR:**

De aansluitingsklemmen worden geleverd zoals geïnstalleerd op de kookplaat. Verbindingen maken naar verschillende openingen is geen goede veiligheidsoefening, aangezien het het gas- en elektriciteitssysteem kan beschadigen.

**GEVAAR:**

Kookplaat bevat onderdelen die op gas en stroom werken. Daarom moet de kookplaat uitsluitend op een werkblad worden bevestigd door middel van de bevestigingsgaten, en uitsluitend met de vergrendelelementen en schroeven die zijn meegeleverd en zoals aangegeven in de handleiding. Anders bestaat er gevaar voor leven en eigendom.

Laatste controle

1. Open de gastoevoer.
2. Controleer gasinstallaties voor veilige installatie en dichtheid.
3. Ontsteek branders en controleer het verschijnen van de vlam.



Vlam dient blauw te zijn en een regelmatig vorm te hebben. Als de vlam geelachtig is, controleer of de branderdekseel goed op zijn plek zit of reinig de brander.

Gasomzetting**GEVAAR:**

Sluit de gastoevoer af voordat u begint te werken aan de gasinstallatie. Er is explosiegevaar!

Om het gastype van uw toestel te wijzigen, wijzigt u alle injectoren en maakt u vlaminstellingen voor alle kleppen bij verminderde stroomsnelheid.

Injector voor de branders verwisselen.

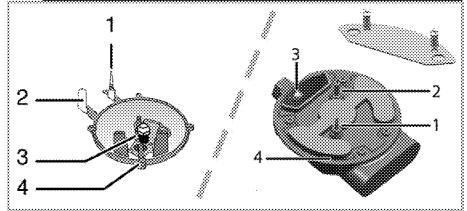
1. Haal het branderdekseel en de branderkern weg.
2. Schroef de injectoren los door deze tegen de klok in te draaien.
3. Plaats nieuwe injectoren.
4. Controleer alle aansluitingen op veilige installatie en dichtheid.



Nieuwe injectoren zijn op de verpakking voorzien van een positiemarkering of er *Injectortafel, pagina 10* werd een tabel bijgevoegd.



((De functies verschillen per productmodel.))
Op sommige branders is de injector afgedekt met een metalen deel. Deze metalen afdekking moet bij vervanging van de injector worden verwijderd.



- 1 Vlambeveiliging (afhankelijk van model)
- 2 Ontsteking
- 3 Injector
- 4 Brander



Probeer de gasbranderkranen niet te verwijderen, tenzij er een abnormale toestand is. U moet een bevoegde serviceagent bellen indien het nodig is de kranen te vervangen.

Instelling verminderde gasstroomsnelheid voor kookplaatkraan.

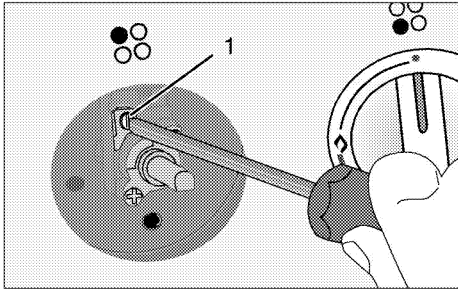
1. Ontsteek de brander die aangepast moet worden en draai de knop naar de laagste stand.
2. Verwijder de knop van de gaskraan.
3. Gebruik een schroevendraaier van de juiste afmeting om de stelschroef voor de stroomsnelheid af te stellen.

Voor lpg (butaan - propaan) draait u de schroef met de klok mee. Voor aardgas moet u de schroef eenmaal **tegen de klok** indraaien.

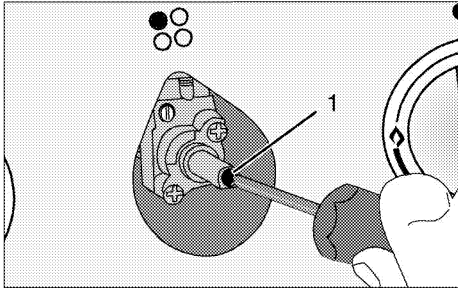
» De normale lengte van een rechte vlam in de laagste stand moet 6-7 mm zijn.

4. Als de vlam groter is dan de gewenste stand, draai de schroef dan met de klok mee. Als de vlam kleiner is, draai dan tegen de klok in.
5. Breng voor de laatste bediening de brander zowel naar hoge vlam als naar de laagste standen en controleer of de vlam aan of uit is.

Afhankelijk van het type gaskraan dat in uw toestel wordt gebruikt, kan de positie van de afstellingsschroef variëren.



1 Stelschroef gasdebiet



1 Stelschroef gasdebiet



Indien het gastype van de eenheid gewijzigd wordt, moet het typeplaatje dat het gastype van de eenheid vermeldt, ook gewijzigd worden.

Toekomstig transport

- Bewaar de originele doos van het product en vervoer het product daarin. Volg de aanwijzingen op de doos. Als u de originele doos niet hebt, verpak het product dan in luchtkussenfolie of dik karton en tape het goed vast.
- Bevestig de deksels en pannendragers met kleefband.



Controleer globaal het uiterlijk van uw product op eventuele schade die tijdens het transport werd veroorzaakt.

4 Voorbereidingen

Tips om energie te besparen

De volgende informatie zal u helpen om uw apparaat op een ecologische manier te gebruiken en energie te besparen:

- Ontdooi bevroren gerechten voor u ze bereidt.
- Gebruik potten/pannen met deksels om te koken. Als u geen deksel gebruikt kan het energieverbruik met 4 keer toenemen.
- Kies de brander die geschikt is voor de bodemmaat van de te gebruiken pan. Kies altijd de juiste pannemaat voor uw gerechten. Grotere pannen behoeven meer energie.

Het eerste gebruik

Eerste reiniging van het toestel



Het oppervlak kan beschadigd geraken door sommige detergenten of reinigingsmaterialen. Gebruik geen agressieve detergenten, reinigingspoeder/melk of scherpe voorwerpen tijdens het reinigen.

1. Verwijder alle verpakkingsmaterialen.
2. Veeg de oppervlakken van het toestel met een vochtige doek of spons en droog het met een doek.

5 De kookplaat gebruiken

Algemene informatie over koken



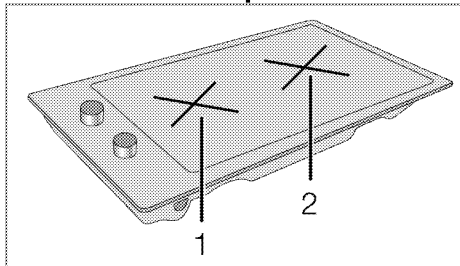
Vul de de pan nooit voor meer dan eenderde met olie. Laat de kookplaat niet onbewaakt achter als u olie verhit. Oververhitte olie geeft brandgevaar. **Probeer een mogelijk vuur nooit te doven met water!** Bedek olie als het in brand vliegt met een branddeken of een vochtige doek. Zet de kookplaat, als dit veilig kan, uit en bel de brandweer.

- Droog eten steeds goed af voor het koken en plaats het voorzichtig in de hete olie. Zorg ervoor dat etenswaren volledig zijn ontdooid voor het koken.
- Dek de kookpot niet af als u olie verwarmt.
- Plaats potten en steelpannen zo op de kookplaat dat de handvatten niet over de kookplaat hangen om te voorkomen dat ze opwarmen. Plaats geen kookpotten op de kookplaat die gemakkelijk overhellen of omvallen.
- Plaats geen lege kookpotten en steelpannen op kookzones die zijn ingeschakeld. Ze kunnen beschadigd raken.
- Een kookzone bedienen zonder kookpot of steelpan zal schade veroorzaken aan het product. Schakel de kookzone uit nadat u klaar bent met koken.
- Plaats geen plastic of aluminium kookpotten op het oppervlak omdat dat heet kan zijn. Dergelijke potten worden best ook niet gebruikt om voedsel in te bewaren.
- Gebruik enkel steelpannen of kookpotten met een vlakke bodem.
- Plaats de aangewezen hoeveelheid voedsel in steelpannen en pannen. Zo hoeft u niet onnodig te reinigen door het overvloeien van voedsel te voorkomen. Plaats geen deksels van steelpannen of pannen op kookzones. Plaats steelpannen zo dat ze gecentreerd staan op de kookzone. Als u een steelpan van één kookzone naar een andere wenst te verplaatsen, heft u ze op in plaats van ze naar de andere kookzone te schuiven.

Koken met gas

- De vlam moet overeenkomen met de grootte van de kookpot. Pas de gasvlam aan zodat deze niet aan de onderkant van de kookpot komt en centreer de kookpot op het opzetstuk.

Gebruik van de kookplaten



- 1 hulpbrander 12-18 cm
- 2 Snelbrander 22-24 cm is een lijst lijst van aanbevolen kookpotdiameters om te gebruiken op de overeenkomstige branders.



WAARSCHUWING

Gebruik geen kookpannen buiten de afmetingslimieten die hierboven zijn gegeven. Het gebruik van grotere pannen kan een gevaar voor koolmonoxidevergiftiging en oververhitting van aangrenzende oppervlakken en bedieningsknoppen opleveren. Het gebruik van kleinere pannen kan ervoor zorgen dat u zich brandt aan de vlam.

Het grote vlamsymbool geeft het hoogste kookvermogen aan en het kleine vlamsymbool duidt op het laagste kookvermogen. In de uit-positie (top) wordt er geen gas naar de branders gevoerd.

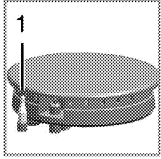
Ontsteking van de gasbranders

1. Houd de branderknop ingedrukt.
 2. Draai het tegen de klok in naar het grote vlamsymbool.
- » Het gas wordt aangestoken met de ontstane vonk.
3. Pas het gewenste kookvermogen aan.

Schakel de gasbranders uit.

Schakel de warmhoudzoneknop in de uit-positie (boven).

Veiligheidssysteem voor gasonderbreking (bij modellen met thermische onderdelen)



1.
Veiligheidsonderbreking van de gastoevoer

Als maatregel tegen uitvallen veroorzaakt door het overvloeien van vloeistoffen in de branders wordt het veiligheidsmechanisme in gang gezet en de gastoevoer afgesloten.

- Druk de knop in en draai hem tegen de klok in om te ontsteken.
- Nadat het gas is ontstoken, moet de knop nog 3 tot 5 seconden ingedrukt blijven om het veiligheidssysteem in te schakelen.
- Als het gas niet wordt ontstoken nadat u de knop indrukt en loslaat, herhaalt u deze procedure en houdt u de knop 15 seconden lang ingedrukt.



GEVAAR:

Laat de knop los als de brander niet binnen 15 seconden vlam vat.

Wacht minstens 1 minuut voor het nogmaals te proberen. Er is gasopeenhopings- en explosiegevaar!

6 Onderhoud en verzorging

Algemene informatie

De levensduur van het product zal worden verlengd en er zullen minder vaak problemen zijn als het product regelmatig wordt gereinigd.



GEVAAR:

Sluit het product van de stroom af voor te beginnen met onderhouds- en reinigingswerk. Er is kans op elektrische schokken!



GEVAAR:

Laat het product afkoelen voordat u het reinigt. Hete oppervlakken kunnen brandwonden veroorzaken!

- Reinig het product grondig na ieder gebruik. Zo kunt u kookresten gemakkelijker verwijderen, en voorkomt u dat ze verbranden als u het apparaat de volgende keer gebruikt.
- Er zijn geen speciale reinigingsmiddelen vereist om het product te reinigen. Gebruik warm water met wasvloeistof, een zachte doek of spons voor het reinigen van het product en een droge doek om het te drogen.
- Zorg er steeds voor dat overvloedige vloeistoffen worden afgeveegd na de reiniging en dat gemorste vloeistoffen steeds meteen worden afgeveegd.
- Gebruik voor het reinigen van roestvrijstalen oppervlakken en de handgreep geen reinigingsmiddelen die zuur of chloride bevatten. Gebruik een zachte doek met een vloeibaar detergent (niet-schurend) om deze onderdelen schoon te vegen, en let erop dat u in één richting veegt.



Het oppervlak kan beschadigd geraken door sommige detergenten of reinigingsmaterialen. Gebruik geen agressieve detergenten, reinigingspoeder/melk of scherpe voorwerpen tijdens het reinigen.



Gebruik geen stoomreinigers om het toestel schoon te maken, want dat kan elektrische schokken veroorzaken.

Reiniging van de kookplaat

Gaskookplaten

1. Verwijder de opzetstukken voor de steelpan en de branderdeksele en reinig ze.

2. Reinig de kookplaat.
3. Installeer de branderdeksele en zorg ervoor dat ze correct geplaatst zijn.
4. Let erop dat de opzetstukken voor de steelpan worden geplaatst dat de branders centraal staan bij de installatie van de bovenste grill.

Glazen keramische oppervlakken

Veeg over het glazen keramische oppervlak met een koude vochtige doek om te voorkomen dat er reinigingsmiddel achterblijft. Droog af met een zachte en droge doek. Resten kunnen het glazen keramische oppervlak beschadigen bij het volgende gebruik van de kookplaat.

Gedroogde restjes mogen nooit van het glazen keramische oppervlak worden gekrast met gebogen messen, staalwol of gelijkaardige gereedschappen. Verwijder calciumvlekken (gele vlekken) met een kleine hoeveelheid ontkalker zoals azijn of citroensap. U kunt ook geschikte commercieel beschikbare producten gebruiken.

Breng het reinigingsmiddel aan op een spons en wacht tot het goed ingetrokken is als het oppervlak erg vervuild is. Reinig daarna het oppervlak van de kookplaat met een vochtige doek.



Voedingswaren op basis van suiker, zoals volle room en siroop moeten meteen worden gereinigd zonder te wachten tot het oppervlak is afgekoeld. Anders kan het glazen keramische oppervlak permanent worden beschadigd.

Na verloop van tijd kan de kleur van de deklaag of andere oppervlakken licht vervagen. Dit heeft geen effect op de werking van het product.

Vervaging van de kleur en vlekken op het glazen keramische oppervlak zijn normaal en dus geen defect.

Het bedieningspaneel reinigen

Reinig bedieningspaneel en knoppen met een vochtige doek en veeg ze droog.



Verwijder de knoppen van uw product niet tijdens het reinigen van het bedieningspaneel. Het bedieningspaneel kan beschadigd worden!

7 Problemen oplossen

Als de oven verwarmt en koelt geeft deze metaalachtige geluiden.

- Wanneer de metalen onderdelen worden verwarmd, kunnen deze uitzetten en geluid veroorzaken. >>> *Dit is geen fout.*

Er is geen ontstekingsvonk.

- Geen stroom. >>> *Controleer zekeringen in de zekeringenkast.*

Er is geen gas.

- Hoofdgaskraan is afgesloten. >>> *Open de gaskraan.*
- De gasleiding is gebogen. >>> *Installeer de gasleiding correct.*

Branders branden niet juist of helemaal niet.

- Branders zijn vuil. >>> *Reinig de branderonderdelen.*
- Branders zijn nat. >>> *Droog de branderonderdelen.*
- De branderdeksel is niet veilig gemonteerd. >>> *Monteer de branderdeksel correct.*
- Gaskraan is afgesloten. >>> *Open de gaskraan.*
- Gascylinder is leeg (bij gebruik van LPG). >>> *Vervang de gascylinder.*

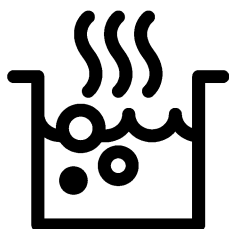


Raadpleeg de bevoegde serviceagent of de dealer waarbij u het product hebt gekocht als u, ondanks het doorvoeren van de aanwijzingen in dit gedeelte, het probleem niet kunt oplossen. Probeer nooit om een product met gebreken zelf te repareren.



Table de cuisson encastrable

Manuel de l'utilisateur



FR

Avant de commencer, merci de bien vouloir lire ce manuel d'utilisation !

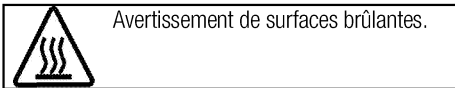
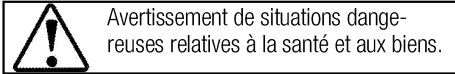
Chère cliente, cher client,

Nous vous remercions d'avoir porté votre choix sur un produit Beko. Nous espérons que vous tirerez le meilleur parti de votre produit, qui a été fabriqué dans des usines de pointe avec des matériaux de qualité. C'est pourquoi nous vous prions de lire attentivement le présent manuel et tous les autres documents connexes dans leur intégralité avant d'utiliser le produit et de les conserver. Si vous cédez l'appareil à une tierce personne, n'oubliez pas de lui fournir le Manuel d'utilisation. Respectez tous les avertissements et informations contenus dans le manuel d'utilisation.

Souvenez-vous que ce Manuel d'utilisation s'applique également à plusieurs autres modèles. Les différences entre les modèles seront identifiées dans le manuel.

Explication des symboles

Vous trouverez les symboles suivants dans ce Manuel d'utilisation :



Arçelik A.Ş.
Karaağaç caddesi No:2-6
34445 Sütlüce/Istanbul/TURKEY
Made in TURKEY

1 Instructions importantes et mises en garde relatives à la sécurité et à l'environnement 4

Sécurité générale.....4
 Sécurité lors de l'installation du gaz4
 Sécurité électrique6
 Sécurité du produit7
 Utilisation prévue8
 Sécurité des enfants8
 Mise au rebut de l'ancien appareil9
 Elimination des emballages9

2 Généralités 10

Vue d'ensemble.....10
 Caractéristiques techniques.....11
 Tableau des injecteurs11

3 Installation 12

Avant l'installation.....12
 Installation et branchement.....13
 Conversion du gaz15
 Déplacement ultérieur16

4 Préparation 17

Conseils pour faire des économies d'énergie 17
 Première utilisation..... 17
 Premier nettoyage de l'appareil 17

5 Utilisation de la table de cuisson 18

Généralités concernant la cuisson 18
 Utilisation des tables de cuisson..... 18

6 Maintenance et entretien 20

Généralités 20
 Nettoyage de la table de cuisson..... 20
 Nettoyage du bandeau de commande..... 20

7 Recherche et résolution des pannes 21

1 Instructions importantes et mises en garde relatives à la sécurité et à l'environnement

Ce chapitre contient les instructions de sécurité qui vous aideront à éviter les risques de blessure corporelle ou de dégâts matériels. Le non respect de ces instructions entraînera l'annulation de toute garantie.

Sécurité générale

- Cet appareil peut être utilisé par des enfants de 8 ans et plus et des personnes aux capacités physiques, sensorielles ou mentales réduites ou des personnes dénuées d'expérience ou de connaissance si elles ont pu bénéficier d'une surveillance ou d'instructions concernant l'utilisation de l'appareil en toute sécurité et comprennent les risques encourus.

Les enfants ne doivent pas jouer avec l'appareil. Le nettoyage et l'entretien ne doivent pas être effectués par un enfant sans surveillance.

- Cet appareil n'est pas conçu pour être utilisé par des personnes (y compris les enfants) présentant des aptitudes physiques, sensorielles et mentales réduites, ou sans expérience et sans connaissances, à moins d'avoir été encadrés ou reçu des consignes d'utilisation.

Les enfants bénéficiant d'un encadrement ne doivent pas jouer avec l'appareil.

- Si l'appareil est confié à une autre personne pour usage personnel ou vendu en seconde main, assurez-vous qu'il est toujours accompagné du manuel d'utilisation, des étiquettes, de tout autre document pertinent et des pièces.
- Les procédures d'installation et de réparation doivent être effectuées par des agents d'entretien qualifiés. Le fabricant ne sera pas responsable des dommages causés à la suite d'une utilisation faite par des personnes non qualifiées, situation susceptible d'annuler aussi la garantie. Avant l'installation, lisez attentivement les instructions.
- Ne faites pas fonctionner l'appareil s'il est défectueux ou présente des dégâts visibles.
- Assurez-vous que les boutons de fonctionnement de l'appareil sont en position d'arrêt après chaque utilisation.

Sécurité lors de l'installation du gaz

- Toutes les opérations sur des équipements et des systèmes de gaz ne peuvent être réalisées que

par des personnes habilitées et qualifiées.

- Avant l'installation, assurez-vous que les conditions de distribution locale (type et pression du gaz) sont compatibles aux réglages de l'appareil.
 - Cet appareil n'est pas raccordé à un dispositif d'évacuation des produits de la combustion. Il doit être installé et raccordé conformément aux règles d'installation en vigueur. Une attention particulière sera accordée aux dispositions applicables en matière de ventilation. *Avant l'installation, page 12.*
 - ATTENTION : L'utilisation d'un appareil de cuisson au gaz conduit à la production de chaleur, d'humidité et de produits de combustion dans le local où il est installé. Veiller à assurer une bonne aération de la cuisine, notamment lors de l'utilisation de l'appareil : maintenir ouverts les orifices d'aération naturelle, ou installer un dispositif d'aération mécanique (hotte de ventilation mécanique). Une utilisation intensive et prolongée de l'appareil peut nécessiter une aération supplémentaire, par exemple en ouvrant une fenêtre, ou une aération plus efficace, par exemple en
- augmentant la puissance de la ventilation mécanique.
 - Les appareils et les systèmes à gaz doivent être vérifiés régulièrement pour assurer leur fonctionnement correct. Le régulateur, le tuyau et son collier de serrage doivent être vérifiés régulièrement et remplacés à la fréquence recommandée par le fabricant ou lorsque nécessaire.
 - Nettoyez régulièrement les brûleurs à gaz. Les flammes doivent être bleues et brûler de manière uniforme.
 - Cet appareil doit être utilisé dans une pièce équipée d'un détecteur de monoxyde de carbone réglé et fonctionnant correctement. Assurez-vous que le détecteur de monoxyde de carbone fonctionne correctement et est entretenu fréquemment. Le détecteur de monoxyde de carbone doit être installé à 2 mètres au maximum de l'appareil.
 - Une bonne combustion est nécessaire dans les appareils à gaz. En cas de combustion incomplète, du monoxyde de carbone (CO) pourrait être généré. Le monoxyde de carbone est incolore, inodore et très toxique, pouvant être mortel même à très petites doses.

- Demandez les informations concernant les numéros de téléphone d'urgence et les mesures de sécurité à prendre en cas d'odeur de gaz auprès de votre fournisseur en gaz.

Que faire si vous sentez une odeur de gaz

- N'utilisez pas de flamme nue et ne fumez pas. N'appuyez sur aucun bouton électrique (p. ex., bouton de l'ampoule, sonnette d'entrée, etc.) N'utilisez pas de téléphone fixe ou de téléphone portable. Risque d'explosion et d'intoxication !
- Ouvrez les portes et fenêtres.
- Fermez toutes les valves sur les appareils à gaz et les compteurs de gaz.
- Vérifiez le branchement de tous les tuyaux et raccords. Si vous sentez toujours une odeur de gaz, quittez l'appartement.
- Avertissez les voisins.
- Contactez les pompiers. Utilisez un téléphone en-dehors de votre domicile.
- Ne rentrez pas dans votre domicile tant qu'on ne vous a pas indiqué que cela pouvait se faire en toute sécurité.

Sécurité électrique

- Si le produit est en panne, ne l'utilisez pas, à moins qu'il ne soit réparé par un Agent d'entretien

agréé. Vous risqueriez un choc électrique !

- Branchez l'appareil uniquement à une sortie/ligne avec mise à la terre ainsi que la tension et la protection spécifiées dans le chapitre « Spécifications techniques ». Faites installer la mise à la terre par un électricien qualifié lorsque vous utilisez l'appareil avec ou sans transformateur. Notre entreprise décline sa responsabilité par rapport à tout problème consécutif à la non mise à la terre de l'appareil suivant la réglementation locale en vigueur.
- Ne lavez jamais l'appareil en y versant de l'eau. Vous risqueriez un choc électrique !
- Ne touchez jamais la prise si vous avez des mains mouillées ! De même, ne débranchez jamais l'appareil en le tirant par le câble. Pour ce faire, il est conseillé de toujours tenir la prise avant de la tirer.
- Débranchez l'appareil pendant les opérations d'installation, d'entretien, de nettoyage et de réparation.
- Si le cordon d'alimentation est endommagé, il doit être remplacé par le fabricant, l'un de ses techniciens ou une personne de qualification similaire afin d'éviter tout risque.

- Installez l'appareil de sorte que l'on puisse le déconnecter complètement du réseau. La séparation doit être effectuée par une prise secteur ou un commutateur intégré à l'installation électrique fixe, suivant la réglementation en matière de construction.
- Toutes les opérations sur des équipements et des systèmes électriques ne peuvent être réalisées que par des personnes habilitées et qualifiées.
- En cas de dégâts, éteignez l'appareil et débranchez-le du secteur. Pour ce faire, coupez le fusible domestique.
- Vérifiez que la tension du fusible est compatible avec l'appareil.

Sécurité du produit

- **AVERTISSEMENT** : Les parties accessibles de l'appareil deviennent chaudes au cours de son utilisation. Des mesures doivent être prises pour éviter de toucher aux éléments de chauffage. Les enfants de moins de 8 ans doivent être maintenus à l'écart, sauf s'ils sont continuellement surveillés.
- Ne jamais utiliser l'appareil sous l'emprise de l'alcool ou de toute autre drogue.
- Prenez garde lorsque vous utilisez des boissons alcoolisées dans vos plats. L'alcool s'évapore à températures élevées et peut provoquer un incendie étant donné qu'il peut s'enflammer lorsqu'il entre en contact avec des surfaces chaudes.
- Assurez-vous qu'aucune substance inflammable ne soit placée à proximité de l'appareil étant donné que les côtés peuvent chauffer pendant son utilisation.
- Évitez d'obstruer les éventuelles sorties d'aération.
- N'utilisez pas de nettoyeurs à vapeur pour le nettoyage de l'appareil, car ceux-ci présentent un risque d'électrocution.
- **AVERTISSEMENT** : Le fait de cuire les aliments contenant de l'huile ou des matières grasses sur une table de cuisson sans surveillance peut s'avérer dangereux, au point de provoquer un incendie. N'essayez JAMAIS d'éteindre le feu avec de l'eau. Coupez plutôt l'alimentation de l'appareil, puis couvrez la flamme avec un couvercle ou une couverture pare-flammes.
- **ATTENTION** : Le processus de cuisson doit être encadré. Les processus de cuisson de courte durée doivent être continuellement encadrés.
- **AVERTISSEMENT** : Danger d'incendie : ne rien conserver sur les surfaces de cuisson.

- **AVERTISSEMENT** : En cas de fissure au niveau de la surface, mettre l'appareil hors tension pour être à l'abri d'une éventuelle électrocution.
- En cas de bris du verre de la plaque de cuisson : Éteignez immédiatement tous les brûleurs et les éventuels éléments chauffants électriques, et débranchez l'appareil de l'alimentation électrique. Évitez de toucher la surface de l'appareil. N'utilisez pas l'appareil.

Pour que votre appareil soit fiable:

- veillez à ce que la fiche soit bien branchée dans la prise afin que des étincelles ne se produisent pas.
- Utilisez uniquement les câbles de rallonge d'origine, et veillez à ce qu'ils ne soient pas coupés ou autrement endommagés.
- Assurez-vous également que la prise ne contient pas de liquide ni de moisissure avant de brancher l'appareil.
- Veillez enfin à ce que votre connexion au gaz soit installée afin d'éviter toute fuite de gaz.

Utilisation prévue

- Cet appareil est conçu pour un usage domestique. L'utilisation commerciale est interdite.
- **ATTENTION** : Cet appareil sert uniquement à des fins de cuisson.

Il ne doit pas être utilisé à d'autres fins, par exemple le chauffage du local.

- Le fabricant ne saurait être tenu responsable des dégâts causés par une utilisation ou une manipulation incorrecte.
- Les pièces détachées d'origine sont disponibles pendant 10 ans, à compter de la date d'achat du produit .

Sécurité des enfants

- **ATTENTION** : Les parties accessibles peuvent s'échauffer pendant l'utilisation. Les enfants doivent être tenus à l'écart.
- Les matériaux d'emballage peuvent présenter un danger pour les enfants. Gardez les matériaux d'emballage hors de portée des enfants. Veuillez jeter les pièces de l'emballage en respectant les normes écologiques.
- Les appareils électriques et/ou à gaz sont dangereux pour les enfants. Tenez les enfants à l'écart de l'appareil lorsqu'il fonctionne et interdisez-leur de jouer avec.
- Ne rangez pas d'objets au dessus de l'appareil que les enfants pourraient atteindre.

Mise au rebut de l'ancien appareil

Conformité avec la directive DEEE et mise au rebut des déchets :



Ce produit est conforme à la directive DEEE (2012/19/UE) de l'Union européenne). Ce produit porte un symbole de classification pour la mise au rebut des équipements électriques et électroniques (DEEE).

Le présent produit a été fabriqué avec des pièces et du matériel de qualité supérieure susceptibles d'être réutilisés et adaptés au recyclage. Par conséquent, nous vous conseillons de ne pas le mettre au rebut avec les ordures ménagères et d'autres déchets à la fin de sa durée de vie. Au contraire, rendez-vous dans un point de collecte pour le recyclage de tout matériel électrique et électronique. Veuillez vous rapprocher des autorités de votre localité pour plus d'informations concernant le point de collecte le plus proche.

Conformité avec la directive LdSD :

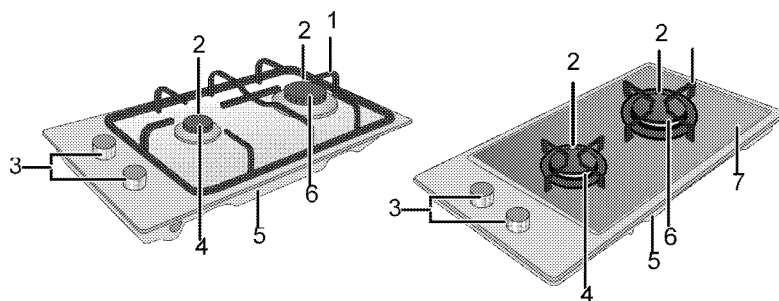
L'appareil que vous avez acheté est conforme à la directive LdSD (2011/65/UE) de l'Union européenne. Il ne comporte pas les matériels dangereux et interdits mentionnés dans la directive.

Élimination des emballages

- Les emballages sont dangereux pour les enfants. Conservez les emballages en lieu sûr à l'écart des enfants. Les emballages de l'appareil sont fabriqués à partir de matériaux recyclés. Éliminez-les de manière appropriée et triez-les en fonction des instructions de recyclage des déchets. Ne les jetez pas avec les déchets domestiques normaux.

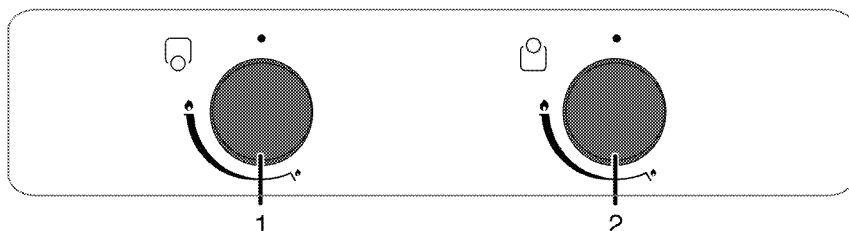
2 Généralités

Vue d'ensemble



- 1 Support de récipient
- 2 Electrode
- 3 Bandeau de commande
- 4 Brûleur auxiliaire

- 5 Fond
- 6 Brûleur rapide
- 7 Plaque d'âtre



- 1 Brûleur auxiliaire Avant

- 2 Brûleur rapide Arrière

Caractéristiques techniques

Tension/fréquence	220-240 V ~ 50 Hz
Fusible	3 A
Type de câble/section	min.H05V2V2 3 x 0,75 mm ²
Catégorie de produit à gaz	II 2E+3+ / I 2E
Type /pression de gaz	NG 20/20 mbar
Consommation totale de gaz	3,9 kW
Type / pression de conversion au gaz ^S	Propane 31 mbar/37 mbar
– en option	LPG 30/28-30 mbar - NG 25/25 mbar
Dimensions extérieures (hauteur/longueur/profondeur)	75 mm/288 mm/510 mm
Dimensions d'installation (longueur/profondeur)	268 mm/490 mm
Brûleurs	
Avant	Brûleur auxiliaire
Puissance	1000 W
Arrière	Brûleur rapide
Puissance	2900 W



Les caractéristiques techniques peuvent changer sans avis préalable afin d'améliorer la qualité de l'appareil.



Les illustrations comprises dans ce manuel sont schématiques et peuvent ne pas correspondre exactement à l'appareil.



Les valeurs mentionnées sur les étiquettes de l'appareil ou dans la documentation qui l'accompagnent sont obtenues dans des conditions de laboratoire conformément aux normes correspondantes. En fonction des conditions de fonctionnement et de l'environnement de l'appareil, ces valeurs peuvent varier.

Tableau des injecteurs

Position de la zone de la table de cuisson	1000 W Avant	2900 W Arrière
Type /pression de gaz		
G 20/20 mbar	72	115
G 30/28-30 mbar	50	87
G 25/25 mbar	72	115
G 31/ 37 mbar	50	87

3 Installation

Le produit doit être installé par une personne qualifiée conformément à la réglementation en vigueur. Dans le cas contraire, la garantie n'est pas valable. Le fabricant se sera pas tenu pour responsable des dégâts consécutifs à des procédures réalisées par des personnes non autorisées et pourra annuler la garantie dans ce cas.



La préparation de l'emplacement et l'installation du gaz et de l'électricité pour l'appareil sont sous la responsabilité du client.



DANGER:

Installez l'appareil conformément aux réglementations en matière de gaz et d'électricité en vigueur dans votre localité.



DANGER:

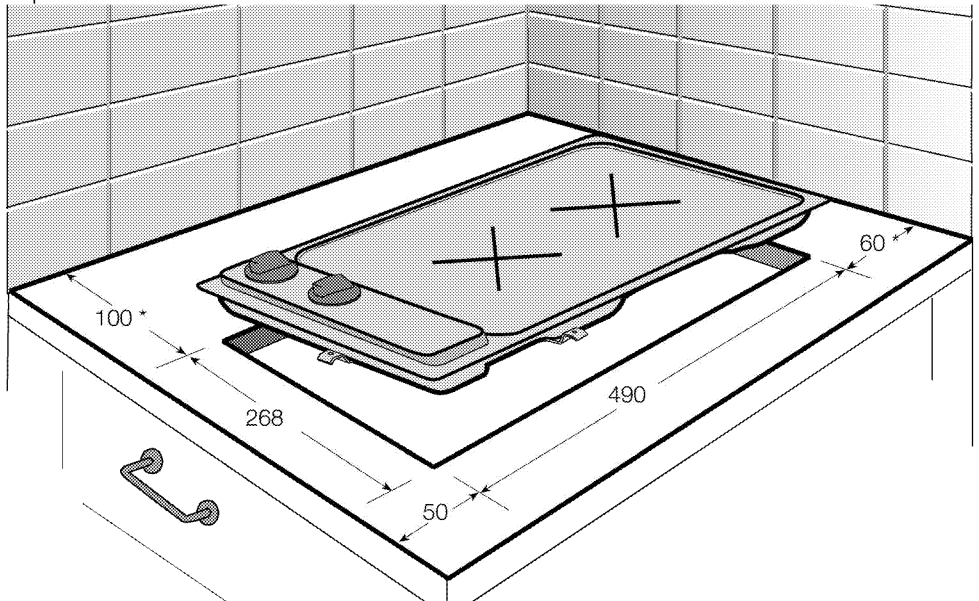
Avant l'installation, regardez si l'appareil présente des défauts. Si tel est le cas, ne le faites pas installer.
Les appareils endommagés présentent des risques pour votre sécurité.

distance de sécurité doit être laissée entre l'appareil et les parois de la cuisine et des meubles. Voir le schéma (valeurs en mm).

- Il peut aussi être utilisé en position debout, de manière autonome. Laissez une distance minimum de 750 mm au-dessus de la surface de la table de cuisson.
- (*) S'il faut encastrer une hotte au-dessus de la cuisinière, reportez-vous aux consignes du fabricant de la hotte concernant la hauteur d'installation (Min 650 mm)
- Retirez les matériaux d'emballage et les sécurités de transport.
- Les surfaces, les feuilles laminées synthétiques et les adhésifs doivent résister à la chaleur (jusqu'à 100 °C min.).
- Le plan de travail doit être à niveau et fixé horizontalement.
- Découpez une ouverture pour la table de cuisson dans le plan de travail en fonction des dimensions d'installation.

Avant l'installation

Cette table de cuisson est destinée à être installée sur un plan de travail en vente dans le commerce. Une



* min.

Ventilation de la pièce

Toutes les pièces nécessitent une fenêtre ouvrable, ou équivalent ; certaines pièces nécessiteront également un orifice d'aération permanent. L'air de combustion est prélevé dans l'air de la pièce. Les gaz émis sont directement rejetés dans la pièce. Une bonne ventilation est essentielle au fonctionnement en toute sécurité de votre appareil.

Pièces avec des portes et/ou fenêtres qui s'ouvrent directement à l'extérieur

Les portes et/ou fenêtres qui s'ouvrent directement à l'extérieur doivent présenter une ouverture de ventilation totale aux dimensions spécifiées dans le tableau ci-dessous en fonction de la puissance aéraulique totale de l'appareil (la puissance aéraulique totale de l'appareil est mentionnée dans le tableau des spécifications techniques de ce manuel d'utilisation). Si les portes et/ou les fenêtres ne présentent pas d'ouverture de ventilation totale correspondant à la consommation totale de gaz tel que spécifié dans le tableau ci-dessous, il devrait certainement avoir une autre ouverture de ventilation fixe dans la pièce pour satisfaire aux exigences minimales de ventilation totale en matière de consommation totale de gaz de l'appareil. L'ouverture de ventilation fixe peut comprendre des ouvertures pour les briques creuses existantes, la dimension d'ouverture du conduit de la hotte d'extraction, etc.

Consommation totale de gaz (kW)	Ouverture de ventilation minimale (cm ²)
0 - 2	100
2 - 3	120
3 - 4	175
4 - 6	300
6 - 8	400
8 - 10	500
10 - 11,5	600
11,5 - 13	700
13 - 15,5	800
15,5 - 17	900
17 - 19	1 000
19 - 24	1 250

Pièces qui ne disposent pas de portes et/ou de fenêtres qui s'ouvrent directement à l'extérieur

Si la pièce dans laquelle l'appareil est installé ne dispose pas de porte ou de fenêtre qui s'ouvre directement à l'extérieur, vous devez absolument rechercher d'autres produits qui fournissent une ouverture de ventilation fixe et non ajustable, conforme aux

exigences minimales de ventilation pour la consommation totale de gaz par l'appareil, tel qu'indiqué dans le tableau ci-dessus. En outre, vous devez scrupuleusement suivre la réglementation pertinente régissant les bâtiments.

Lorsque la pièce ou l'espace intérieur contient plus d'un appareil alimenté au gaz, vous devez prévoir une zone de ventilation supplémentaire, outre la recommandation du tableau ci-dessus. La dimension d'une zone de ventilation supplémentaire doit être conforme à la réglementation sur les autres appareils à gaz. Assurez-vous également de prévoir un dégagement minimal de 10 mm sur le bord inférieur de la porte, qui s'ouvre à l'intérieur, dans la pièce dans laquelle le produit est installé. Vous devez vous assurer que les éléments tels que les tapis et autre revêtements de plancher, etc., n'obstruent pas le dégagement lorsque vous fermez la porte.

Vous pouvez installer votre cuisinière dans une cuisine, une salle à manger ou une chambre-salon, mais pas dans une pièce contenant une colonne de douche ou une baignoire. La cuisinière ne doit pas être installée dans une chambre-salon de moins de 20 m³.

Évitez d'installer cet appareil dans une pièce en dessous du niveau du sol à moins que cette pièce soit ouverte au niveau du sol sur l'un des côtés au moins.

Installation et branchement

- Installez l'appareil conformément à toutes les réglementations en matière de gaz et d'électricité en vigueur.

Raccordement électrique

Branchez l'appareil à une prise mise à la terre protégée par un disjoncteur miniature de capacité suffisante tel qu'indiqué dans le tableau « Caractéristiques techniques ». Faites installer la mise à la terre par un électricien qualifié lors de l'utilisation de l'appareil avec ou sans transformateur. Notre société ne sera pas tenue pour responsable des dégâts résultant de l'utilisation de l'appareil sans une installation de mise à la terre conforme aux réglementations locales en vigueur.



DANGER:

L'appareil doit uniquement être raccordé à l'alimentation électrique par une personne autorisée et qualifiée. La période de garantie de l'appareil démarre uniquement après son installation correcte.

Le fabricant se sera pas tenu pour responsable des dégâts consécutifs à des procédures réalisées par des personnes non autorisées.

**DANGER:**

Le câble d'alimentation ne doit pas être serré, plié ou pincé ou entrer en contact avec des pièces chaudes de l'appareil.
Un câble d'alimentation endommagé doit être remplacé par un électricien qualifié. Dans le cas contraire, il présente un risque d'électrocution, de court-circuit ou d'incendie !

- La connexion doit être conforme aux réglementations nationales en vigueur.
- Les valeurs de l'alimentation électrique doivent correspondre aux valeurs figurant sur la plaque signalétique de l'appareil. La plaque signalétique est à l'arrière du produit.
- Le câble d'alimentation de l'appareil doit être conforme aux valeurs du tableau "Caractéristiques techniques".

**DANGER:**

Avant d'effectuer tout travail sur l'installation électrique, l'appareil doit être débranché du réseau d'alimentation électrique.
Vous risqueriez un choc électrique !



La prise du câble d'alimentation doit être facile d'accès après l'installation (ne le faites pas passer au-dessus de la table de cuisson).



Lors du câblage, vous devez respecter les réglementations nationales/locales en matière d'électricité. Par ailleurs, vous devez utiliser des prises et des fiches recommandées pour fours. Au cas où la limite de puissance de l'appareil est supérieure à la capacité de conduction du courant par la fiche et la prise, branchez l'appareil directement sur une installation électrique fixe sans utiliser de fiche ni de prise.

Branchez le câble d'alimentation dans la prise.

Raccordement au gaz**DANGER:**

L'appareil doit être connecté au système d'alimentation en gaz uniquement par un technicien autorisé et qualifié.
Risque d'explosion et d'intoxication causé par des réparations effectuées par des personnes non professionnelles !
Le fabricant se sera pas tenu pour responsable des dégâts consécutifs à des procédures réalisées par des personnes non autorisées.

**DANGER:**

Avant d'effectuer tout travail sur l'installation de gaz, l'appareil doit être débranché du réseau de distribution du gaz.
Vous risqueriez une explosion !

- Les conditions et valeurs de réglages du gaz sont indiquées sur les plaques signalétiques (ou plaques type ion)

Consultez les informations détaillées sur le raccordement et la conversion au gaz dans le manuel d'utilisateur fourni avec votre produit.

Consultez les informations détaillées sur le raccordement et la conversion au gaz dans le manuel d'utilisateur fourni avec votre produit.

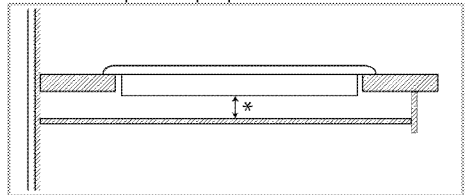
Installation des produits

1. Enlevez de l'appareil les brûleurs, les couvercles des brûleurs et grills de la table de cuisson.
2. Retournez la table de cuisson et placez la sur une surface plane.
3. Placez la table de cuisson sur le plan de travail et alignez-la.



Quand vous installez la table de cuisson sur un meuble encastré, vous devez mettre une planche pour séparer le meuble de la table de cuisson, comme illustré dans la figure suivante. Cela n'est pas nécessaire quand vous installez un four encastré.

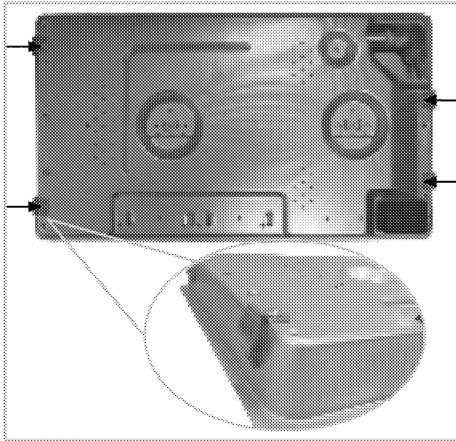
Par exemple, s'il est possible de toucher le bas du produit car il est installé sur un tiroir, cette partie doit être couverte par une plaque en bois.



* min. 15 mm

Vue de derrière (orifices de raccord)

L'emplacement des orifices de raccord montrés dans la figure ci-dessous sont indicatifs et peuvent varier selon le modèle du produit.
Fixez-les en fonction des orifices de raccord sur votre produit.



Placez les plaques des brûleurs, les couvercles des brûleurs et les grilles dans leurs emplacements après l'installation.



DANGER:

Des colliers de serrage seront fournis tels qu'installés sur la table de cuisson. La réalisation des raccords dans d'autres orifices n'est pas une pratique recommandée en termes de sécurité, car cela pourrait endommager le circuit de gaz ou le circuit électrique.



DANGER:

La hotte comporte des éléments fonctionnant à l'électricité et au gaz. À cet effet, il convient de la fixer au plan de travail uniquement par les orifices de fixation, en utilisant seulement les éléments et vis de fixation fournis, et en suivant les instructions du manuel. Au cas contraire, la procédure présenterait des risques pour la sécurité des biens et des personnes.

Vérification finale

1. Ouvrez le robinet de gaz.
2. Vérifiez les raccords de l'installation de gaz.
3. Allumez les brûleurs et vérifiez l'aspect de la flamme.



La flamme doit être bleue et avoir une forme régulière. Si elle est jaunâtre, assurez-vous que le bouchon du brûleur est correctement installé et nettoyez le brûleur.

Conversion du gaz



DANGER:

Avant d'effectuer tout travail sur l'installation de gaz, l'appareil doit être débranché du réseau de distribution du gaz. Vous risqueriez une explosion !

Pour changer le type de gaz de votre appareil, changez tous les injecteurs et réglez les flammes de toutes les valves à la position de débit réduit.

Changement de l'injecteur des brûleurs.

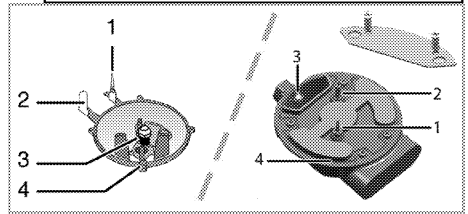
1. Retirez le couvercle de brûleur et le corps du brûleur.
2. Dévissez les injecteurs en tournant dans le sens contraire des aiguilles du montre.
3. Fixez les nouveaux injecteurs.
4. Vérifiez le branchement de tous les raccords.



La position des nouveaux injecteurs est marquée sur leurs emballage ou le tableau de l'injecteur. *Tableau des injecteurs, page 11* peut être consulté.



((Varient en fonction du modèle de four.)) Sur certains brûleurs de la plaque de cuisson, l'injecteur est recouvert d'une pièce métallique. Retirez ce couvercle métallique lors du remplacement de l'injecteur.



- 1 Dispositif de sécurité à l'allumage (modèle dépendant)
- 2 Electrode
- 3 Injecteur
- 4 Brûleur



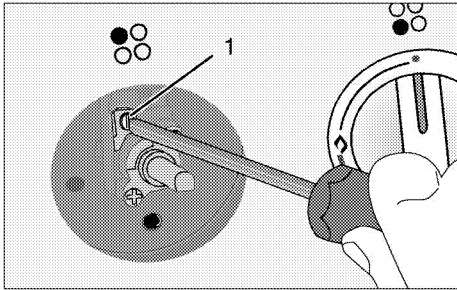
Sauf en cas de condition anormale, ne tentez pas de retirer les robinets des brûleurs de gaz. Vous devez contacter le service agréé s'il est nécessaire de changer les robinets.

Réglage de débit de gaz réduit pour les robinets de la plaque de cuisson

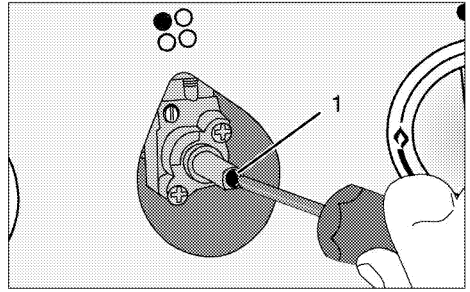
1. Allumez le brûleur à régler et positionnez la manette sur la position inférieure.
2. Enlevez le bouton du robinet de gaz.
3. Utilisez un tournevis conventionnel pour ajuster la vis de réglage du débit.

Pour le LPG (Butane - Propane), tournez le tournevis dans le sens contraire des aiguilles d'une montre. Pour l'alimentation en gaz naturel, tournez une fois la vis **dans le sens inverse des aiguilles d'une montre**.
» La hauteur normale d'une flamme régulière en débit réduit doit être de 6-7 mm.

4. Si la flamme est plus grande que la longueur souhaitée, tournez la vis dans le sens des aiguilles d'une montre. Si elle est plus petite, tournez dans le sens contraire des aiguilles d'une montre.
5. Pour le dernier contrôle, placez le brûleur sur les positions flamme haute et flamme réduite et vérifiez si la flamme est allumée ou éteinte.
6. En fonction du type de robinet de gaz utilisé sur votre appareil, la position de la vis de réglage peut varier.



1 Vis de réglage du débit



1 Vis de réglage du débit

i Si le type de gaz de l'appareil est modifié, alors la plaque signalétique indiquant le type de gaz utilisé par l'appareil doit également être modifiée.

Déplacement ultérieur

- Conservez le carton d'origine de l'appareil et utilisez-le pour déplacer le produit. Suivez les instructions figurant sur le carton. Si vous n'avez plus le carton original, emballez l'appareil dans du film à bulles ou du carton épais avec du ruban adhésif pour maintenir le tout.
- Attachez les couvercles et grilles de support avec du ruban adhésif.

i Inspectez l'aspect général de l'appareil pour déceler les dégâts potentiellement dus au transport.

4 Préparation

Conseils pour faire des économies d'énergie

Les conseils suivants vous permettront d'utiliser votre appareil de façon écologique et d'économiser ainsi de l'énergie :

- Décongelez les plats surgelés avant de les cuire.
- Utilisez des récipients munis de couvercles. Sans couvercle, la consommation d'énergie peut être 4 fois plus importante.
- Sélectionnez le brûleur le mieux adapté à la taille du bas de la casserole utilisée. Sélectionnez toujours la casserole à la taille la plus appropriée pour vos plats. Les grandes casseroles nécessitent davantage d'énergie.

Première utilisation

Premier nettoyage de l'appareil



La surface pourrait être endommagée par certains détergents ou produits de nettoyage. N'utilisez pas de détergents agressifs, de poudre/crèmes de nettoyage ou d'objets tranchants pour le nettoyage.

1. Retirez tous les matériaux d'emballage.
2. Essuyez les surfaces de l'appareil à l'aide d'un chiffon humide ou d'une éponge et terminez avec un chiffon sec.

5 Utilisation de la table de cuisson

Généralités concernant la cuisson



Ne remplissez jamais la poêle à plus d'un tiers. Ne laissez pas la table de cuisson sans surveillance lorsque vous chauffez de l'huile. Une huile surchauffée expose au risque d'incendie. **Ne tentez jamais d'éteindre un éventuel incendie avec de l'eau !** Lorsque l'huile s'enflamme, couvrez-la avec une couverture pare-flammes ou un chiffon humide. Éteignez la table de cuisson si cela ne pose aucun risque et appelez les sapeurs-pompiers.

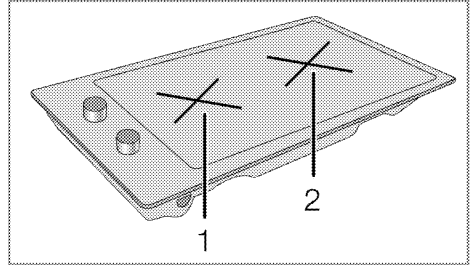
- Avant de faire frire des aliments, séchez-les toujours avant de les tremper dans l'huile chaude. Assurez-vous que les aliments surgelés soient bien décongelés avant de les faire frire.
- Ne couvrez pas le récipient lorsque vous faites chauffer de l'huile.
- Disposez les poêles et casseroles de manière à ce que leur poignée ne se trouve pas au-dessus de la table de cuisson afin d'éviter de faire chauffer les poignées. Ne placez pas de récipients instables et pouvant se renverser facilement sur la table de cuisson.
- Ne placez pas de récipients et de casseroles vides sur les foyers qui sont allumés. Ils pourraient être endommagés.
- Faire chauffer un foyer en l'absence d'un récipient ou d'une casserole peut entraîner des dommages pour l'appareil. Arrêtez les foyers de cuisson une fois la cuisson terminée.
- La surface de l'appareil peut être brûlante, évitez donc de poser des récipients en plastique ou en aluminium dessus. Évitez également d'utiliser ce type de récipients pour y conserver de la nourriture.
- N'utilisez que des casseroles à fond plat.
- Placez la quantité de nourriture appropriée dans les casseroles utilisées. Ainsi, vous n'aurez pas à effectuer un nettoyage superflu en évitant que vos plats ne débordent.
Ne posez pas les couvercles de vos poêles et casseroles sur les foyers de cuisson. Placez les casseroles de manière à ce qu'elles soient centrées sur le foyer de cuisson. Lorsque vous voulez déplacer la casserole sur un autre

foyer de cuisson, soulevez-la et placez-la sur le foyer de cuisson souhaité au lieu de la faire glisser.

Cuisson au gaz

- La taille du récipient et celle de la flamme doivent correspondre. Réglez les flammes du gaz afin qu'elles ne dépassent pas du fond du récipient et centrez ce dernier sur la grille.

Utilisation des tables de cuisson



- 1 Brûleur auxiliaire 12-18 cm
- 2 Brûleur rapide 22-24 cm (Les dimensions indiquées représentent les diamètres recommandés de poêles et casseroles à utiliser.)



AVERTISSEMENT

Évitez d'utiliser les ustensiles de cuisine au-delà des dimensions maximales indiquées ci-dessus. L'utilisation des grandes casseroles présente un danger d'intoxication au monoxyde de carbone, de surchauffe des surfaces adjacentes et des boutons de commande. L'utilisation des petites casseroles représente un risque de brûlure par la flamme.

Le symbole représentant une grande flamme indique la puissance de cuisson la plus élevée et le symbole représentant une petite flamme indique la puissance de cuisson la moins élevée. En position OFF (indicateur vers le haut), les brûleurs ne sont pas alimentés en gaz.

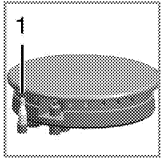
Allumage des brûleurs à gaz

1. Maintenez le bouton du brûleur approprié enfoncé.
2. Tournez-le dans le sens anti-horaire vers le symbole représentant la grande flamme.
» Le gaz s'allume grâce à l'étincelle ainsi générée.
3. Réglez la puissance de cuisson souhaitée.

Arrêt des brûleurs à gaz.

Tournez le bouton de la zone garde-au-chaud sur la position OFF (indicateur vers le haut).

Système de coupure de sécurité du gaz (sur les modèles dotés d'un composant thermique)



1. Sécurité de coupure du gaz

Un mécanisme de sécurité fait office de contre-mesure et se déclenche pour couper l'arrivée de gaz en cas de débordement de liquide sur les brûleurs.

- Appuyez sur le bouton et tournez-le dans le sens anti-horaire pour allumer le gaz.

- Maintenez ensuite le bouton enfoncé pendant 3 à 5 secondes supplémentaires pour activer le système de sécurité.
- Si le gaz ne s'allume pas après avoir appuyé et relâché le bouton, répétez l'opération en maintenant le bouton enfoncé pendant une quinzaine de secondes.



DANGER:

Relâchez le bouton si le brûleur à gaz ne s'allume pas après 15 secondes. Patientez au moins 1 minute avant de réessayer. Vous risqueriez une accumulation de gaz et une explosion !

6 Maintenance et entretien

Généralités

Un nettoyage régulier de l'appareil en rallongera la durée de vie et diminuera l'apparition de problèmes.



DANGER:

Débranchez l'appareil de la prise d'alimentation avant de commencer le nettoyage et l'entretien.
Vous risqueriez un choc électrique !



DANGER:

Laissez l'appareil refroidir avant de le nettoyer.
Les surfaces chaudes peuvent brûler !

- Nettoyez l'appareil après chaque utilisation. Il vous sera ainsi possible d'ôter plus facilement les résidus de nourriture éventuels, évitant ainsi qu'ils ne brûlent lors de l'utilisation suivante.
- Aucun produit nettoyant particulier n'est nécessaire pour nettoyer l'appareil. Utilisez de l'eau tiède avec du détergent, un chiffon doux ou une éponge pour nettoyer l'appareil et essuyez-le à l'aide d'un chiffon sec.
- Veillez toujours à bien essuyer les excès de liquide après le nettoyage et essuyez immédiatement tout déversement.
- N'utilisez pas de détergents contenant de l'acide ou du chlore pour nettoyer les surfaces en acier inoxydable et la poignée. Utilisez un chiffon doux avec un détergent liquide non abrasif pour nettoyer ces parties, en prenant soin de toujours frotter dans le même sens.



La surface pourrait être endommagée par certains détergents ou produits de nettoyage. N'utilisez pas de détergents agressifs, de poudre/crèmes de nettoyage ou d'objets tranchants pour le nettoyage.



N'utilisez pas de nettoyeurs à vapeur pour le nettoyage de l'appareil, car ceux-ci présentent un risque d'électrocution.

Nettoyage de la table de cuisson

Tables de cuisson à gaz

1. Retirez et nettoyez les grilles et les chapeaux de brûleurs.
2. Nettoyez la table de cuisson.

3. Installez les chapeaux de brûleurs et vérifiez qu'ils sont bien posés.
4. Lorsque vous installez la grille supérieure, veillez à bien positionner les grilles afin de centrer les brûleurs.

Surfaces vitrocéramiques

Essuyez la surface vitrocéramique à l'aide d'un chiffon humidifié à l'eau froide pour ne pas laisser de traces du produit de nettoyage. Séchez à l'aide d'un chiffon doux et sec. Les résidus peuvent endommager la surface vitrocéramique lors de l'utilisation suivante de la table de cuisson.

Les résidus séchés sur la surface vitrocéramique ne doivent en aucun cas être grattés au moyen de lames à crochet, de laine d'acier ou d'outils similaires.

Éliminez les traces de calcaire (tâches jaunâtres) avec un détartrant comme le vinaigre ou le jus de citron.

Vous pouvez également utiliser les produits appropriés disponibles dans le commerce.

Si la surface est fortement souillée, appliquez le produit de nettoyage avec une éponge et attendez qu'il soit bien absorbé. Nettoyez ensuite la surface de la table de cuisson avec un chiffon humide.



Les aliments sucrés, crèmes épaisses et sirops par exemple, doivent être nettoyés rapidement avant que la surface ne refroidisse. Dans le cas contraire, la surface vitrocéramique peut être endommagée de manière irréversible.

Avec le temps, une légère décoloration peut se produire sur les revêtements ou d'autres surfaces. Cela n'affecte en rien le fonctionnement du produit.

La surface vitrocéramique se décolore et se tâche dans des conditions normales d'utilisation, il ne s'agit pas d'un défaut.

Nettoyage du bandeau de commande

Nettoyez le bandeau de commande et les boutons de commande avec un chiffon humide et essuyez-les.



Si votre produit est équipé des boutons, ne retirez pas ceux de commande pour nettoyer le panneau de commande. Le panneau de commande pourrait être endommagé !

7 Recherche et résolution des pannes

Le appareil émet des bruits métalliques lors des phases de chauffage et de refroidissement.

- Lorsque les pièces métalliques sont chauffées, elles peuvent se détendre et émettre ces bruits. >>> *Cela n'est pas un défaut.*

Il n'y a pas d'étincelle d'allumage.

- Pas de courant. >>> *Vérifiez les fusibles dans la boîte à fusibles.*

Il n'y a pas de gaz.

- Le robinet de gaz principal est fermé. >>> *Ouvrez le robinet du gaz.*
- Le tuyau du gaz est plié. >>> *Installez le tuyau du gaz correctement.*

Les brûleurs ne s'allument pas correctement ou pas du tout.

- Les brûleurs sont sales. >>> *Nettoyez les composants des brûleurs.*
- Les brûleurs sont humides. >>> *Séchez les composants des brûleurs.*
- Le couvercle du brûleur n'est pas assemblé correctement. >>> *Assemblez le couvercle du brûleur correctement.*
- Le robinet de gaz principal est fermé. >>> *Ouvrez le robinet du gaz.*
- La bonbonne de gaz est vide (en cas d'utilisation du LPG). >>> *Remplacez la bonbonne du gaz.*



Consultez le technicien autorisé ou le revendeur qui vous a vendu l'appareil si vous ne parvenez pas à résoudre le problème après avoir suivi les instructions comprises dans ce chapitre. N'essayez jamais de réparer un appareil défectueux vous-même.

