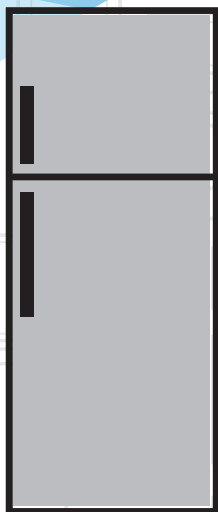


Refrigerator

User manual

الثلاجة
دليل المستخدم



DSE36000
DSE36000 S

EN | AR |

beko

Please read this user manual first!

Dear Customer,

We hope that your product, which has been produced in modern plants and checked under the most meticulous quality control procedures, will provide you an effective service.

Therefore, read this entire user manual carefully before using the product and keep it as a reference. If you handover the product to someone else, give the user manual as well.

The user manual will help you use the product in a fast and safe way.


- Read the manual before installing and operating the product.
- Make sure you read the safety instructions.
- Keep the manual in an easily accessible place as you may need it later.
- Read the other documents given with the product.

Remember that this user manual is also applicable for several other models. Differences between models will be identified in the manual.

Explanation of symbols

Throughout this user manual the following symbols are used:

 Important information or useful tips.

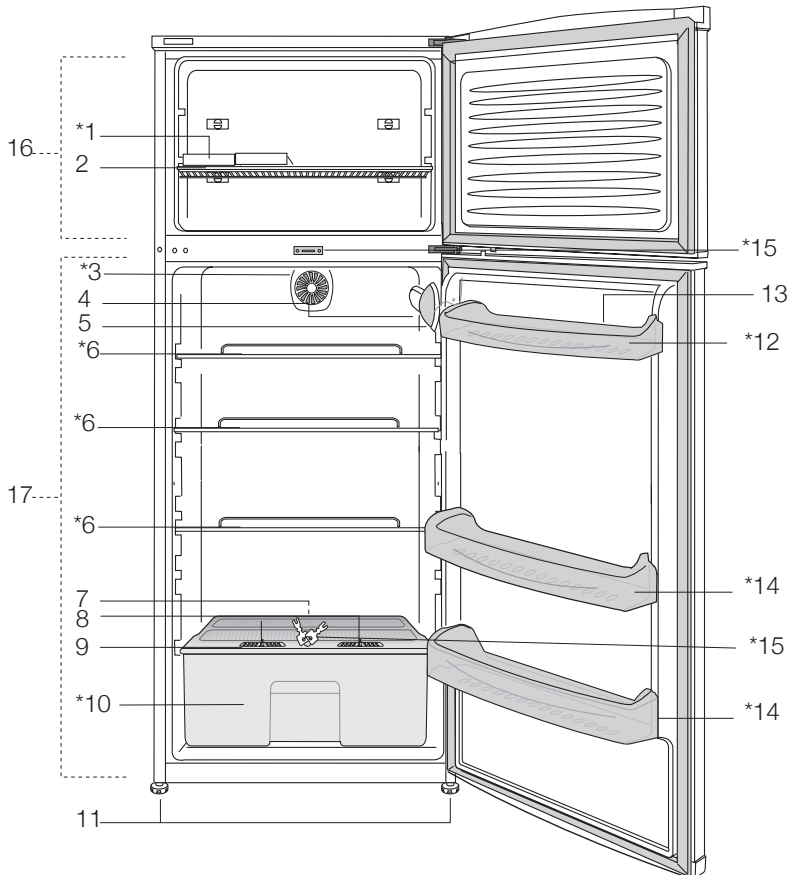
 Warning against dangerous conditions for life and property.

 Warning against electric voltage.

CONTENTS

1 Your refrigerator	3	4 Preparation	17
2 Important Safety Warnings	4	5 Using your refrigerator	18
Intended use	4	Thermostat setting button.....	18
General safety	4	Defrost	18
For products with a	8	Stopping your product.....	19
water dispenser;.....	8	Turbo Cooling Fan	19
Child safety.....	9	Crisper humidity control sliders.....	20
Compliance with WEEE Directive and		Making ice.....	20
Disposing of the Waste Product:	9		
Package information.....	9	6 Maintenance and cleaning	21
HC warning	10	Protection of plastic surfaces	21
Things to be done for energy saving	10		
3 Installation	11	7 Troubleshooting	22
Points to be paid attention to when the			
relocation of the refrigerator	11		
Electrical connection.....	11		
Disposing of the packaging	12		
Disposing of your old refrigerator	12		
Placing and Installation	12		
Adjusting the legs	13		
Changing the illumination lamp	13		
Reversing the doors	14		
Reversing the doors	15		
Reversing the doors	16		

1 Your refrigerator



- | | |
|---|---------------------------|
| 1. Ice cube tray | 9. Crisper cover |
| 2. Freezer shelf | 10. Salad crisper |
| 3. Fan | 11. Adjustable front feet |
| 4. Interior light | 12. Door shelf |
| 5. Thermostat knob | 13. Egg tray |
| 6. Fridge compartment shelves | 14. Bottle shelf |
| 7. Defrost water collection channel
- Drain tube | 15. Key |
| 8. Crisper humidity controls | 16. Freezer compartment |
| | 17. Fridge compartment |

* OPTIONAL

ⓘ Figures that take place in this instruction manual are schematic and may not correspond exactly with your product. If the subject parts are not included in the product you have purchased, then it is valid for other models.

2 Important Safety Warnings

Please review the following information. Failure to observe this information may cause injuries or material damage. Otherwise, all warranty and reliability commitments will become invalid.

The service life of your product is 10 years. During this period, original spare parts will be available to operate the product properly.

Intended use

This product is intended to be used

- indoors and in closed areas such as homes;
- in closed working environments such as stores and offices;
- in closed accommodation areas such as farm houses, hotels, pensions.
- It should not be used outdoors.

General safety

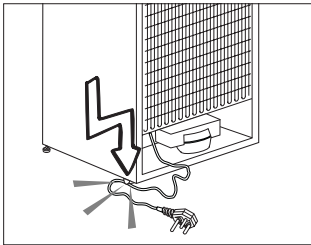
- When you want to dispose/scrap the product, we recommend you to consult the authorized service in order to learn the required information and authorized bodies.
- Consult your authorized service for all your questions and problems related to the refrigerator. Do not intervene or let someone intervene to the refrigerator without notifying the authorised services.
- For products with a freezer compartment; Do not eat cone ice cream and ice cubes immediately after you take them out of the freezer compartment! (This may cause frostbite in your mouth.)
- For products with a freezer compartment; Do not put bottled and canned liquid beverages in the freezer compartment.

Otherwise, these may burst.

- Do not touch frozen food by hand; they may stick to your hand.
- Unplug your refrigerator before cleaning or defrosting.
- Vapor and vaporized cleaning materials should never be used in cleaning and defrosting processes of your refrigerator. In such cases, the vapor may get in contact with the electrical parts and cause short circuit or electric shock.
- Never use the parts on your refrigerator such as the door as a means of support or step.
- Do not use electrical devices inside the refrigerator.
- Do not damage the parts, where the refrigerant is circulating, with drilling or cutting tools. The refrigerant that might blow out when the gas channels of the evaporator, pipe extensions or surface coatings are punctured causes skin irritations and eye injuries.
- Do not cover or block the ventilation holes on your refrigerator with any material.
- Electrical devices must be repaired by only authorised persons. Repairs performed by incompetent persons create a risk for the user.
- In case of any failure or during a maintenance or repair work, disconnect your refrigerator's mains supply by either turning off the relevant fuse or unplugging your appliance.
- Do not pull by the cable when pulling off the plug.
- Ensure highly alcoholic beverages are stored securely with the lid fastened and placed upright.
- Never store spray cans containing flammable and explosive substances in the refrigerator.

- Do not use mechanical devices or other means to accelerate the defrosting process, other than those recommended by the manufacturer.
- This product is not intended to be used by persons with physical, sensory or mental disorders or unlearned or inexperienced people (including children) unless they are attended by a person who will be responsible for their safety or who will instruct them accordingly for use of the product
- Do not operate a damaged refrigerator. Consult with the service agent if you have any concerns.
- Electrical safety of your refrigerator shall be guaranteed only if the earth system in your house complies with standards.
- Exposing the product to rain, snow, sun and wind is dangerous with respect to electrical safety.
- Contact authorized service when there is a power cable damage to avoid danger.
- Never plug the refrigerator into the wall outlet during installation. Otherwise, risk of death or serious injury may arise.
- This refrigerator is intended for only storing food items. It must not be used for any other purpose.
- Label of technical specifications is located on the left wall inside the refrigerator.
- Never connect your refrigerator to electricity-saving systems; they may damage the refrigerator.
- If there is a blue light on the refrigerator, do not look at the blue light with optical tools.
- For manually controlled refrigerators, wait for at least 5 minutes to start the refrigerator after power failure.

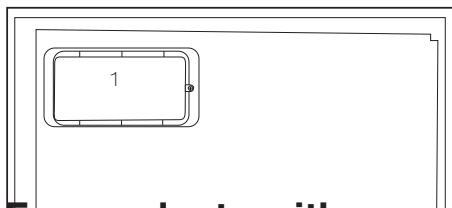
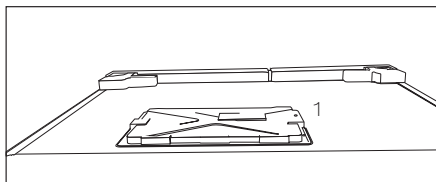
- This operation manual should be handed in to the new owner of the product when it is given to others.
- Avoid causing damage on power cable when transporting the refrigerator. Bending cable may cause fire. Never place heavy objects on power cable. Do not touch the plug with wet hands when plugging the product



- Do not plug the refrigerator if the wall outlet is loose.
- Water should not be sprayed on inner or outer parts of the product for safety purposes.
- Do not spray substances containing inflammable gases such as propane gas near the refrigerator to avoid fire and

- explosion risk.
- Never place containers filled with water on top of the refrigerator; in the event of spillages, this may cause electric shock or fire.
- Do not overload the refrigerator with food. If overloaded, the food items may fall down and hurt you and damage refrigerator when you open the door.
- Never place objects on top of the refrigerator; otherwise, these objects may fall down when you open or close the refrigerator's door.
- As they require a precise temperature, vaccines, heat-sensitive medicine and scientific materials and etc. should not be kept in the refrigerator.
- If not to be used for a long time, refrigerator should be unplugged. A possible problem in power cable may cause fire.
- The plug's tip should be cleaned regularly with a dry cloth; otherwise, it may cause fire.

- Refrigerator may move if adjustable legs are not properly secured on the floor. Properly securing adjustable legs on the floor can prevent the refrigerator to move.
- When carrying the refrigerator, do not hold it from door handle. Otherwise, it may be snapped.
- When you have to place your product next to another refrigerator or freezer, the distance between devices should be at least 8cm. Otherwise, adjacent side walls may be humidified.
- The product shall never be used while the compartment which is located at the top or back of your product and in which electronic boards are available (electronic board box cover) (1) is open.



For products with a water dispenser;

- Pressure for cold water inlet shall be maximum 90 psi (6.2 bar). If your water pressure exceeds 80 psi (5.5 bar), use a pressure limiting valve in your mains system. If you do not know how to check your water pressure, ask for the help of a professional plumber.
- If there is risk of water hammer effect in your installation, always use a water hammer prevention equipment in your installation.

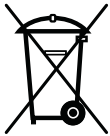
Consult Professional plumbers is you are not sure that there is no water hammer effect in your installation.

- Do not install on the hot water inlet. Take precautions against of the risk of freezing of the hoses. Water temperature operating interval shall be 33°F (0.6°C) minimum and 100°F (38°C) maximum.
- Use only potable water.

Child safety

- If the door has a lock, the key should be kept away from reach of children.
- Children must be supervised to prevent them from tampering with the product.

Compliance with WEEE Directive and Disposing of the Waste Product:



This product complies with EU WEEE Directive (2012/19/EU). This product bears a classification symbol for waste electrical and electronic equipment

(WEEE).

This product has been manufactured with high quality parts and materials which can be reused and are suitable for recycling. Therefore, do not dispose the product with normal domestic waste at the end of its service life. Take it to a collection point for the recycling of electrical and electronic equipment. Please consult your local authorities to learn the nearest collection point. Help protect the environment and natural resources by recycling used products. For children's safety, cut the power cable and break the locking mechanism of the door, if any, so that it will be non-functional before disposing of the product.

Package information

Packaging materials of the product are manufactured from recyclable materials in accordance with our National Environment Regulations. Do not dispose of the packaging materials together with the domestic or other wastes. Take them to the packaging material collection points designated by the local authorities.

Do not forget...

Any recycled substance is an indispensable matter for nature and our national asset wealth.

If you want to contribute to the re-evaluation of the packaging materials, you can consult to your environmentalist organizations or the municipalities where you are located.

HC warning

If your product's cooling system contains R600a:

This gas is flammable. Therefore, pay attention to not damaging the cooling system and piping during usage and transportation. In the event of damage, keep your product away from potential fire sources that can cause the product catch a fire and ventilate the room in which the unit is placed.

Ignore this warning if your product's cooling system contains R134a.

Type of gas used in the product is stated in the type label which is on the left wall inside the refrigerator.

Never throw the product in fire for disposal.

Things to be done for energy saving

- Do not leave the doors of your refrigerator open for a long time.
 - Do not put hot food or drinks in your refrigerator.
 - Do not overload your refrigerator so that the air circulation inside of it is not prevented.
 - Do not install your refrigerator under direct sunlight or near heat emitting appliances such as ovens, dishwashers or radiators. Keep your refrigerator at least 30cm away from heat emitting sources and at least 5cm from electrical ovens.
 - Pay attention to keep your food in closed containers.
- For products with a freezer compartment; You can store maximum amount of food items in the freezer when you remove the shelf or drawer of the freezer. Energy consumption value stated for your refrigerator has been determined by removing freezer shelf or drawer and under maximum load. There is no harm to use a shelf or drawer according to the shapes and size of food to be frozen.
 - Thawing frozen food in fridge compartment will both provide energy saving and preserve the food quality.

3 Installation

⚠ In case the information which are given in the user manual are not taken into account, manufacturer will not assume any liability for this.

Points to be paid attention to when the relocation of the refrigerator

1. Your refrigerator should be unplugged. Before transportation of your refrigerator, it should be emptied and cleaned.

2. Before it is re-packaged, shelves, accessories, crisper, etc. inside your refrigerator should be fixed with adhesive tape and secured against impacts. Package should be bound with a thick tape or sound ropes and the transportation rules on the package should be strictly observed.

3. Original packaging and foam materials should be kept for future transportations or moving.

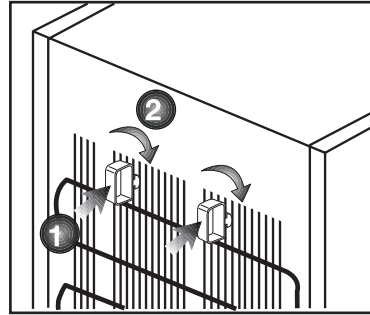
Before you start the refrigerator,

Check the following before you start to use your refrigerator:

1. Attach 2 plastic wedges as illustrated below. Plastic wedges are intended to keep the distance which will ensure the air circulation between your refrigerator and the wall. (The picture is drawn up as a representation and it is not identical with your product.)

2. Clean the interior of the refrigerator as recommended in the "Maintenance and cleaning" section.

3. Connect the plug of the refrigerator to the wall socket. When the fridge door is opened, fridge internal lamp will turn on.



4. When the compressor starts to operate, a sound will be heard. The liquid and gases sealed within the refrigeration system may also give rise to noise, even if the compressor is not running and this is quite normal.

5. Front edges of the refrigerator may feel warm. This is normal. These areas are designed to be warm to avoid condensation.

Electrical connection

Connect your product to a grounded socket which is being protected by a fuse with the appropriate capacity.

Important:

The connection must be in compliance with national regulations.

- The power plug must be easily accessible after installation.
- Electrical safety of your refrigerator shall be guaranteed only if the earth system in your house complies with standards.
- The voltage stated on the label located at left inner side of your product should be equal to your network voltage.
- Extension cables and multi plugs must not be used for connection.

- ⚠ A damaged power cable must be replaced by a qualified electrician.
- ⚠ Product must not be operated before it is repaired! There is the risk of electric shock!

Disposing of the packaging

The packing materials may be dangerous for children. Keep the packing materials out of the reach of children or dispose of them by classifying them in accordance with the waste instructions stated by your local authorities. Do not throw away with regular house waste, throw away on packaging pick up spots designated by the local authorities.

The packing of your refrigerator is produced from recyclable materials.

Disposing of your old refrigerator

Dispose of your old refrigerator without giving any harm to the environment.

- You may consult your authorized dealer or waste collection center of your municipality about the disposal of your refrigerator.

Before disposing of your refrigerator, cut out the electric plug and, if there are any locks on the door, make them inoperable in order to protect children against any danger.

Placing and Installation

⚠ If the entrance door of the room where the refrigerator will be installed is not wide enough for the refrigerator to pass through, then call the authorized service to have them remove the doors of your refrigerator and pass it sideways through the door.

1. Install your refrigerator to a place that allows ease of use.

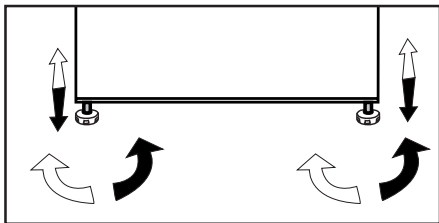
2. Keep your refrigerator away from heat sources, humid places and direct sunlight.

3. There must be appropriate air ventilation around your refrigerator in order to achieve an efficient operation. If the refrigerator is to be placed in a recess in the wall, there must be at least 5 cm distance with the ceiling and at least 5 cm with the wall. Do not place your product on the materials such as rug or carpet.

4. Place your refrigerator on an even floor surface to prevent jolts.

Adjusting the legs

If your refrigerator is unbalanced; You can balance your refrigerator by turning its front legs as illustrated in the figure. The corner where the leg exists is lowered when you turn in the direction of black arrow and raised when you turn in the opposite direction. Taking help from someone to slightly lift the refrigerator will facilitate this process.



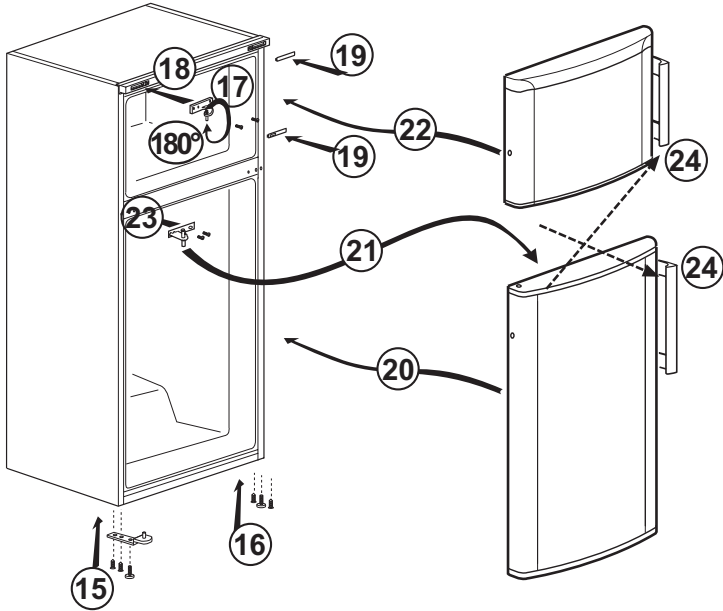
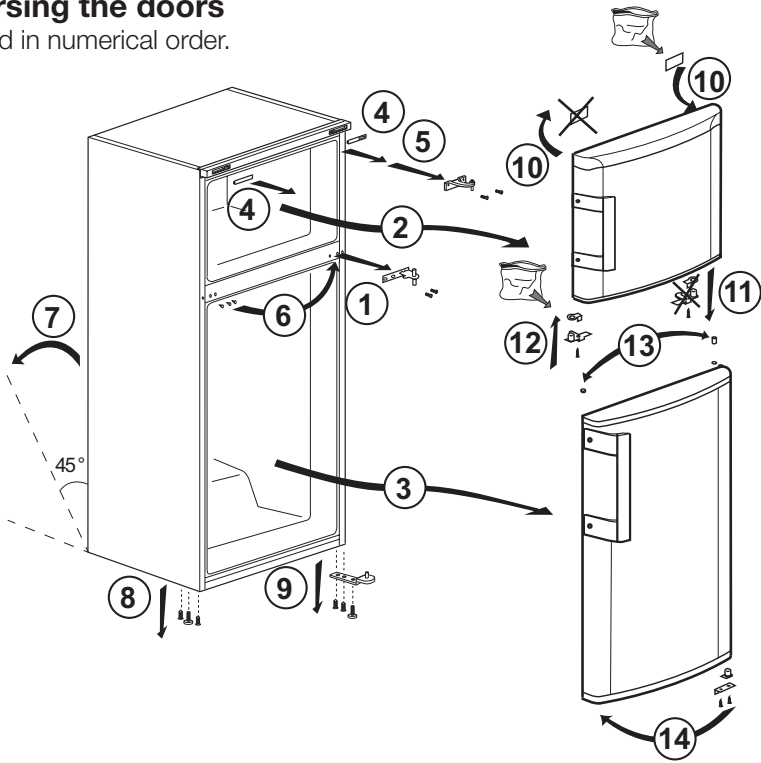
Changing the illumination lamp

To change the Bulb/LED used for illumination of your refrigerator, call your AuthorisedService.

The lamp(s) used in this appliance is not suitable for household room illumination. The intended purpose of this lamp is to assist the user to place foodstuffs in the refrigerator/freezer in a safe and comfortable way. The lamps used in this appliance have to withstand extreme physical conditions such as temperatures below $-20\text{ }^{\circ}\text{C}$. (only chest and upright freezer)

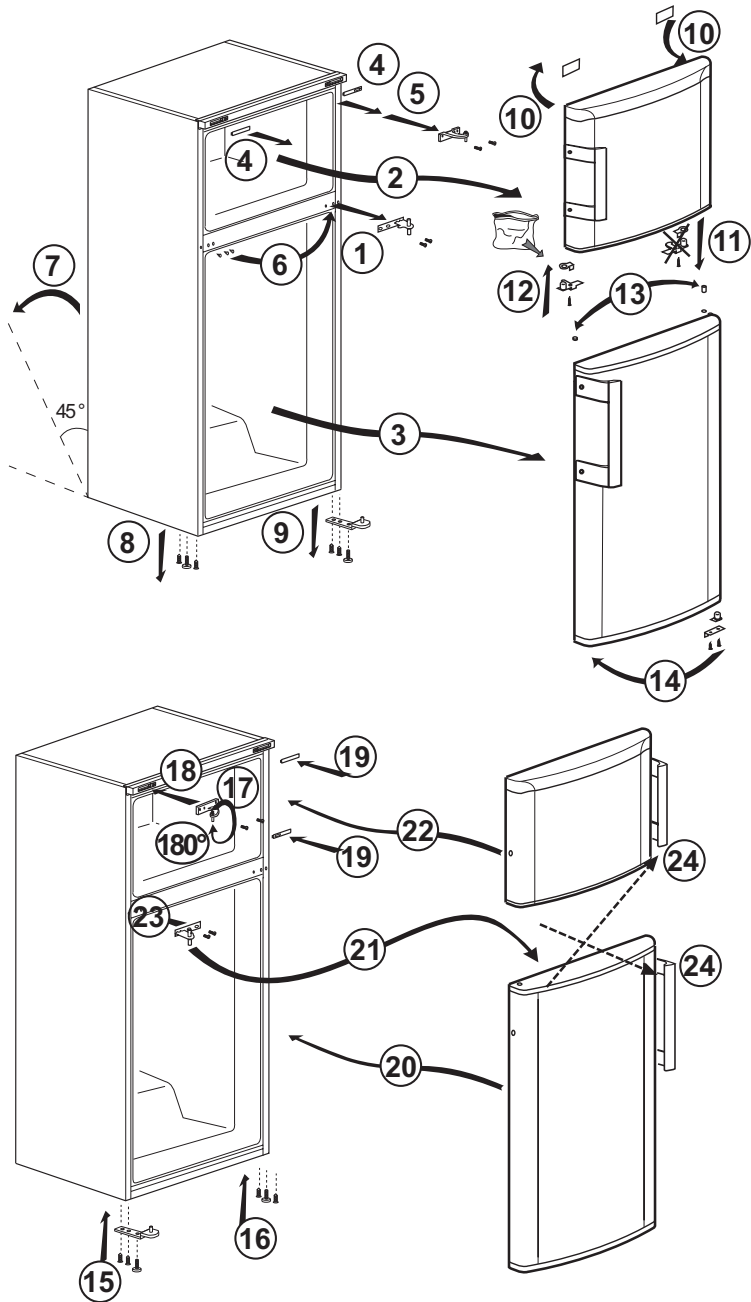
Reversing the doors

Proceed in numerical order.



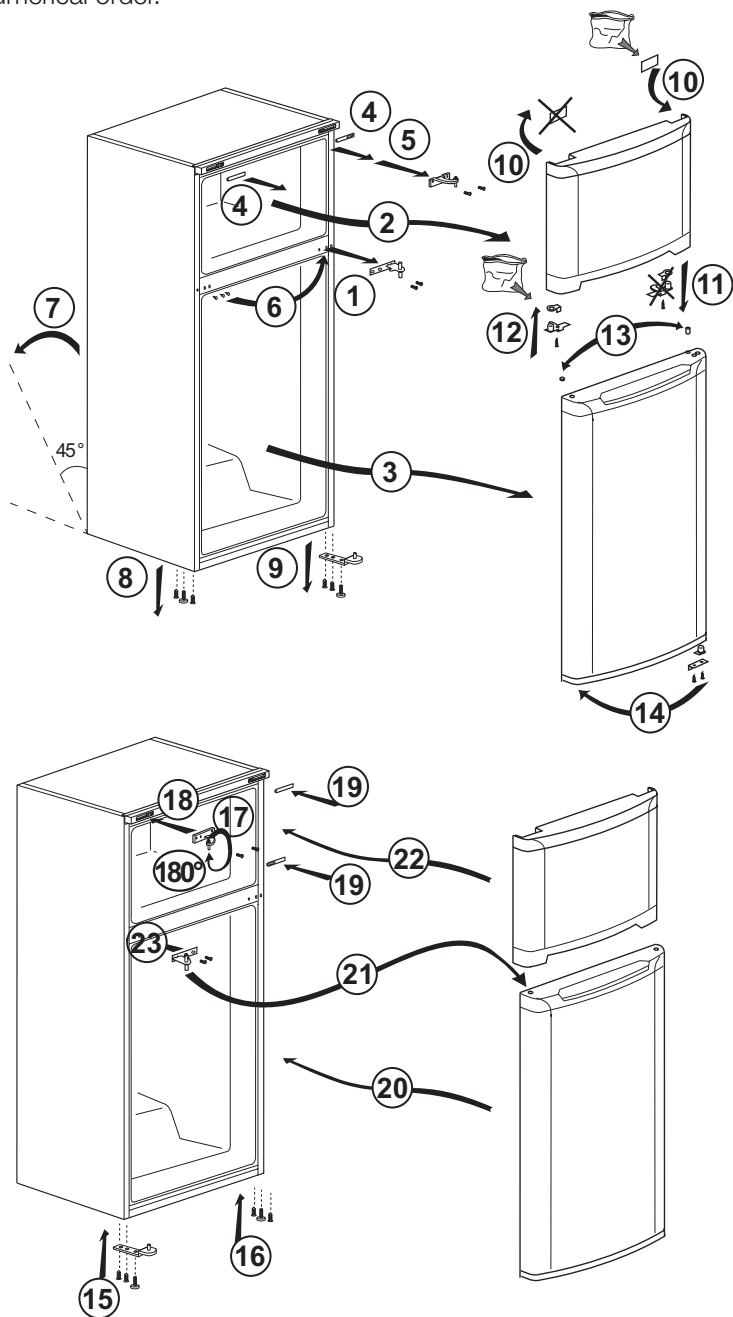
Reversing the doors

Proceed in numerical order.



Reversing the doors

Proceed in numerical order.

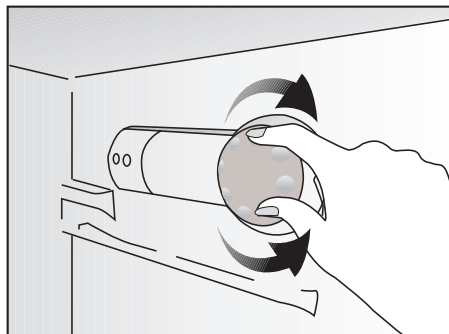


4 Preparation

- Your cooler/freezer should be installed at least 30 cm away from heat sources such as hobs, ovens, central heater and stoves and at least 5 cm away from electrical ovens and should not be located under direct sunlight.
- Please make sure that the interior of your cooler/freezer is cleaned thoroughly.
- If two coolers are to be installed side by side, there should be at least 2 cm distance between them.
- When you operate your cooler/freezer for the first time, please observe the following instructions during the initial six hours.
- Its door should not be opened frequently.
- It must be operated empty without placing any food in it.
- Do not unplug your cooler/freezer. If a power failure occurs out of your control, please see the warnings in the "Recommended solutions for the problems" section.
- The baskets/drawers that are provided with the chill compartment must always be in use for low energy consumption and for better storage conditions.
- Food contact with the temperature sensor in the freezer compartment may increase energy consumption of the appliance. Thus any contact with the sensor(s) must be avoided.
- This product has been designed to function at ambient temperatures up to 43 °C (90 SDgrF). Even if the ambient temperature falls to -15 °C, frozen food in the freezer does not thaw thanks to its Advanced Electronic Temperature Control System. For the first installation, the product should NOT be placed under low ambient temperatures. This is because the freezer cannot go down to standard operation temperature. When reaching continuous operation, the product can be moved to another place. Thus, later you can place your product in the garage or an unheated room without the concern of causing frozen food to get rotten. However, it is likely that above mentioned low temperatures may cause the freezing of the food in the fridge compartment; thus, please consume the food items in the fridge in a controlled way as needed. When ambient temperature goes back to normal, you may change button setting according to your need.
- If the ambient temperature is below 0°C, the food in fridge compartment will freeze. Therefore, we recommend not using the fridge compartment in such low ambient temperatures. You may continue to use the freezer compartment as usual.
- In some models, the instrument panel automatically turns off 5 minutes after the door has closed. It will be reactivated when the door has opened or pressed on any key.
- Due to temperature change as a result of opening/closing the product door during operation, condensation on the door/body shelves and the glass containers is normal.

5 Using your refrigerator

Thermostat setting button



The interior temperature of your refrigerator changes for the following reasons;

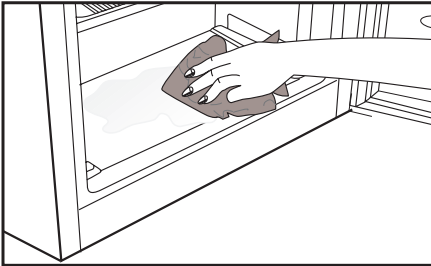
- Seasonal temperatures,
- Frequent opening of the door and leaving the door open for long periods,
- Food put into the refrigerator without cooling down to the room temperature,
- The location of the refrigerator in the room (e.g. exposing to sunlight).
- You may adjust the varying interior temperature due to such reasons by using the thermostat. Numbers around the thermostat button indicates the cooling degrees.
- If the ambient temperature is higher than 32°C, turn the thermostat button to maximum position.
- If the ambient temperature is lower than 25°C, turn the thermostat button to minimum position.

Defrost

Fridge compartment performs full-automatic defrosting. Water resulting from the defrosting passes from the water collection groove and flows into the evaporator through the drain pipe and evaporates here by itself.

- Deep freezer compartment does not perform automatic defrosting in order to prevent decaying of the frozen food.
- Frost formation in the freezer compartment must be defrosted every 6 months. It is recommended to defrost the ice when the deep freezer compartment is not filled too much or is empty.
- To do this, wrap the frozen food by paper and keep them in the coolest place possible or in another refrigerator if available.
- Stop your refrigerator by means of the temperature setting button or unplug the power cord from the outlet. You can place a container filled with hot water into the freezer compartment or leave the door of the freezer compartment open in order to hasten the defrosting.
- Remove the water that accumulates in the lower container of the freezer compartment with an absorbent cloth or sponge.

- Dry the freezer compartment completely and return the temperature setting button to its previous position.
- Operate your refrigerator for 2 hours while it is empty and its doors are closed before replacing your food into the deep freezer.



Stopping your product

If your thermostat is equipped with “0” position:

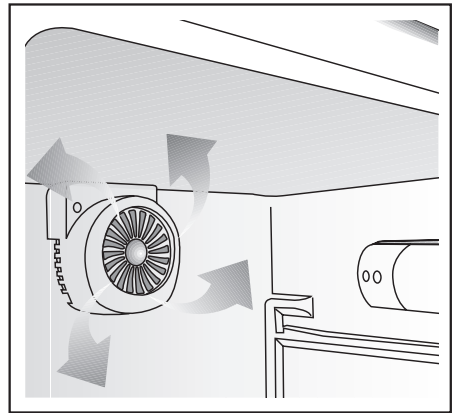
- Your product will stop operating when you turn the thermostat button to “0” (zero) position. Your product will not start unless you turn the thermostat button to position “1” or one of the other positions again.

If your thermostat is equipped with “min” position:

- Unplug your product to stop it.

Turbo Cooling Fan

“Turbo cooling fan is designed to ensure homogenous distribution and circulation of the cold air inside your refrigerator. Operation time of the turbo cooling fan may vary depending on the properties of your product. While the turbo fan works only with the compressor in some products, the control system determines its operation time in some products in accordance with the cooling requirement. This situation is explained on a separate warning and information label attached on the refrigerator in products equipped with turbo fans running under different conditions than the compressor.”



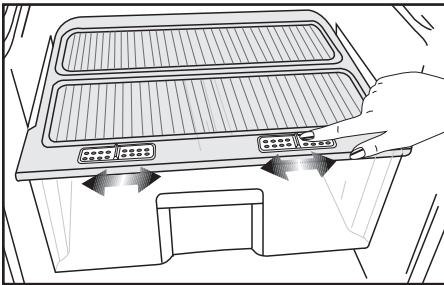
Crisper humidity control sliders

Using the crisper humidity control sliders

Crisper of your refrigerator is designed specially to keep your vegetables fresh without losing their humidity. Cold air circulates basically around the crisper and the amount of the cold air passing through the crisper is controlled by the sliders on the front side of the crisper cover.

You can adjust the humidity control sliders to a suitable position according to the humidity and cooling condition of your food in the crisper.

If you want your food in the crisper to cool more, open the holes of the humidity control sliders and if you want them to cool less and keep their humidity for a longer time, close the holes.

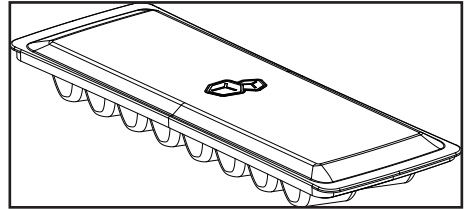


Making ice

*optional

Fill the ice container with water and place it into the freezer compartment. Your ice will be ready approximately in two hours.

You can remove the ice in the ice container by removing it from the freezer and twisting it.



6 Maintenance and cleaning

- ⚠ Never use gasoline, benzene or similar substances for cleaning purposes.
- ⚠ We recommend that you unplug the appliance before cleaning.
- ⚠ Never use any sharp abrasive instrument, soap, household cleaner, detergent and wax polish for cleaning.
- ℹ Use lukewarm water to clean the cabinet of your refrigerator and wipe it dry.
- ℹ Use a damp cloth wrung out in a solution of one teaspoon of bicarbonate of soda to one pint of water to clean the interior and wipe it dry.
- ⚠ Make sure that no water enters the lamp housing and other electrical items.
- ⚠ If your refrigerator is not going to be used for a long period of time, unplug the power cable, remove all food, clean it and leave the door ajar.
- ℹ Check door seals regularly to ensure they are clean and free from food particles.
- ⚠ To remove door racks, remove all the contents and then simply push the door rack upwards from the base.

- ⚠ Never use cleaning agents or water that contain chlorine to clean the outer surfaces and chromium coated parts of the product. Chlorine causes corrosion on such metal surfaces.
- ⚠ Do not use sharp, abrasive tools, soap, household cleaning agents, detergents, kerosene, fuel oil, varnish etc. to prevent removal and deformation of the prints on the plastic part. Use lukewarm water and a soft cloth for cleaning and then wipe it dry.

Protection of plastic surfaces

- ℹ Do not put the liquid oils or oil-cooked meals in your refrigerator in unsealed containers as they damage the plastic surfaces of your refrigerator. In case of spilling or smearing oil on the plastic surfaces, clean and rinse the relevant part of the surface at once with warm water.

7 Troubleshooting

Please review this list before calling the service. It will save your time and money. This list includes frequent complaints that are not arising from defective workmanship or material usage. Some of the features described here may not exist in your product.

The refrigerator does not operate.

- The plug is not inserted into the socket correctly. >>>Insert the plug into the socket securely.
- The fuse of the socket which your refrigerator is connected to or the main fuse have blown out. >>>Check the fuse.

Condensation on the side wall of the fridge compartment (MULTIZONE, COOL CONTROL and FLEXI ZONE).

- Door has been opened frequently. >>>Do not open and close the door of refrigerator frequently.
- Ambient is very humid. >>>Do not install your refrigerator into highly humid places.
- Food containing liquid is stored in open containers. >>>Do not store food with liquid content in open containers.
- Door of the refrigerator is left ajar. >>>Close the door of the refrigerator.
- Thermostat is set to a very cold level. >>>Set the thermostat to a suitable level.

• Compressor is not running

- Protective thermic of the compressor will blow out during sudden power failures or plug-out plug-ins as the refrigerant pressure in the cooling system of the refrigerator has not been balanced yet. The refrigerator will start running approximately after 6 minutes. Please call the service if the refrigerator does not startup at the end of this period.
- The fridge is in defrost cycle. >>>This is normal for a full-automatically defrosting refrigerator. Defrosting cycle occurs periodically.
- The refrigerator is not plugged into the socket. >>>Make sure that the plug is fit into the socket.
- Temperature settings are not made correctly. >>>Select the suitable temperature value.
- There is a power outage. >>>Refrigerator returns to normal operation when the power restores.

The operation noise increases when the refrigerator is running.

- The operating performance of the refrigerator may change due to the changes in the ambient temperature. It is normal and not a fault.

The refrigerator is running frequently or for a long time.

- New product may be wider than the previous one. Larger refrigerators operate for a longer period of time.
- The room temperature may be high. >>>It is normal that the product operates for longer periods in hot ambient.
- The refrigerator might be plugged in recently or might be loaded with food. >>>When the refrigerator is plugged in or loaded with food recently, it will take longer for it to attain the set temperature. This is normal.
- Large amounts of hot food might be put in the refrigerator recently. >>>Do not put hot food into the refrigerator.
- Doors might be opened frequently or left ajar for a long time. >>>The warm air that has entered into the refrigerator causes the refrigerator to run for longer periods. Do not open the doors frequently.
- Freezer or fridge compartment door might be left ajar. >>>Check if the doors are closed completely.
- The refrigerator is adjusted to a very low temperature. >>>Adjust the refrigerator temperature to a warmer degree and wait until the temperature is achieved.
- Door seal of the fridge or freezer may be soiled, worn out, broken or not properly seated. >>>Clean or replace the seal. Damaged/broken seal causes the refrigerator to run for a longer period of time in order to maintain the current temperature.

Freezer temperature is very low while the fridge temperature is sufficient.

- The freezer temperature is adjusted to a very low value. >>>Adjust the freezer temperature to a warmer degree and check.

Fridge temperature is very low while the freezer temperature is sufficient.

- The fridge temperature is adjusted to a very low value. >>>Adjust the fridge temperature to a warmer degree and check.

Food kept in the fridge compartment drawers is frozen.

- The fridge temperature is adjusted to a very high value. >>>Adjust the fridge temperature to a lower value and check.

Temperature in the fridge or freezer is very high.

- The fridge temperature is adjusted to a very high value. >>>Fridge compartment temperature setting has an effect on the temperature of the freezer. Change the temperatures of the fridge or freezer and wait until the relevant compartments attain a sufficient temperature.
- Doors are opened frequently or left ajar for a long time. >>>Do not open the doors frequently.
- Door is ajar. >>>Close the door completely.
- The refrigerator is plugged in or loaded with food recently. >>>This is normal. When the refrigerator is plugged in or loaded with food recently, it will take longer for it to attain the set temperature.
- Large amounts of hot food might be put in the refrigerator recently. >>>Do not put hot food into the refrigerator.

<ul style="list-style-type: none"> • Vibrations or noise.
<ul style="list-style-type: none"> • The floor is not level or stable. >>> If the refrigerator rocks when moved slowly, balance it by adjusting its feet. Also make sure that the floor is strong enough to carry the refrigerator, and level. • The items put onto the refrigerator may cause noise. >>>Remove the items on top of the refrigerator.
There are noises coming from the refrigerator like liquid flowing, spraying, etc.
<ul style="list-style-type: none"> • Liquid and gas flows occur in accordance with the operating principles of your refrigerator. It is normal and not a fault.
Whistle comes from the refrigerator.
<ul style="list-style-type: none"> • Fans are used in order to cool the refrigerator. It is normal and not a fault.
Condensation on the inner walls of refrigerator.
<ul style="list-style-type: none"> • Hot and humid weather increases icing and condensation. It is normal and not a fault. • Doors are opened frequently or left ajar for a long time. >>>Do not open the doors frequently. Close them if they are open. • Door is ajar. >>>Close the door completely.
Humidity occurs on the outside of the refrigerator or between the doors.
<ul style="list-style-type: none"> • There might be humidity in the air; this is quite normal in humid weather. When the humidity is less, condensation will disappear.
Bad odour inside the refrigerator.
<ul style="list-style-type: none"> • No regular cleaning is performed. >>>Clean the inside of the refrigerator regularly with a sponge, lukewarm water or carbonate dissolved in water. • Some containers or package materials may cause the smell. >>>Use a different container or different brand packaging material. • Food is put into the refrigerator in uncovered containers. >>>Keep the food in closed containers. Microorganisms spreading out from uncovered containers can cause unpleasant odours. • Remove the foods that have expired best before dates and spoiled from the refrigerator.
The door is not closing.
<ul style="list-style-type: none"> • Food packages are preventing the door from closing. >>>Replace the packages that are obstructing the door. • The refrigerator is not completely even on the floor. >>>Adjust the feet to balance the refrigerator. • The floor is not level or strong. >>>Make sure that the floor is level and capable to carry the refrigerator.
Crispers are stuck.
<ul style="list-style-type: none"> • The food is touching the ceiling of the drawer. >>>Rearrange food in the drawer.

تحدث الرطوبة في الإطار الخارجي للثلاجة أو بين الأبواب.
<ul style="list-style-type: none"> • قد يكون الطقس رطبًا. هذا شيء طبيعي جدًا في الأجواء الرطبة، وعندما تكون الرطوبة أقل، يختفي التكثف.
توجد رائحة كريهة داخل الثلاجة.
<ul style="list-style-type: none"> • يجب تنظيف الجزء الداخلي من الثلاجة. نظف داخل الثلاجة بقطعة أسفنجية وماء دافئ أو ماء مكرين. • قد تتسبب بعض الأوعية أو مواد التعبئة في هذه الرائحة. استخدم وعاء مختلف أو مواد تعبئة مختلفة.
الباب (الأبواب) لا يغلق.
<ul style="list-style-type: none"> • عبوات الطعام قد تمنع إغلاق الباب. غير وضع عبوات الطعام التي تعيق الباب. • الثلاجة ليست عموديًا تمامًا على الأرض وقد تهتز عند تحريكها قليلاً لضبط مسامير الارتفاع. • الأرض ليست مستوية أو قوية. تأكد من أن الأرض مستوية وتحمل الثلاجة.
الأدراج عالقة.
<ul style="list-style-type: none"> • قد يكون الطعام ملامسًا لسقف الدرج. أعد ترتيب الطعام في الدرج.
إذا كان سطح المنتج ساخنًا
<ul style="list-style-type: none"> • قد يلاحظ ارتفاع درجات الحرارة بين البابين، وعلى الألواح الجانبية والشوابة الخلفية أثناء تشغيل المنتج. وهذا طبيعي ولا يعد ذلك عيبًا يتطلب الصيانة، لكن حذرًا عند لمس هذه الأماكن.

<ul style="list-style-type: none"> • تم ضبط الثلاجة على درجة حرارة عالية جدًا. يؤثر ضبط الثلاجة على درجة حرارة الفريزر. غير درجة حرارة الثلاجة أو الفريزر حتى تصل إلى مستوى مناسب. • قد يكون الباب مفتوح جزئيًا. أغلق الباب تمامًا. • قد تكون هناك كميات كبيرة من الطعام الساخن تم وضعها في الثلاجة مؤخرًا. انتظر حتى تصل الثلاجة أو الفريزر إلى درجة الحرارة المطلوبة. • تم توصيل الثلاجة بالكهرباء مؤخرًا. فتبريد الثلاجة تمامًا يستغرق وقتًا بسبب الحجم.
تشبه الضوضاء الناتجة عن الثلاجة صوت الثواني الذي تصدره ساعة.
<ul style="list-style-type: none"> • تصدر هذه الضوضاء من صمام اللولبي للثلاجة. يعمل هذا الصمام بغرض ضمان تبريد المسار عبر الصندوق والذي يمكن ضبطه على درجات حرارة التبريد أو التجميد. كما أنه يقوم بوظائف التبريد. وهذا أمر طبيعي وليس عيبًا.
ترتفع ضوضاء التشغيل عند تشغيل الثلاجة.
<ul style="list-style-type: none"> • قد تتغير سمات أداء الثلاجة تبعًا للتغيرات في درجة الحرارة المحيطة بالثلاجة، وهذا طبيعي ولا يعد ذلك عيبًا.
اهتزازات أو ضوضاء.
<ul style="list-style-type: none"> • الأرض ليست مستوية أو ليست صلبة. تهتز الثلاجة عند تحريكها ببطء. تأكد من أن الأرض مستوية وقوية وتحمل الثلاجة. • قد يصدر صوت من الأشياء الموضوعة على الثلاجة يجب إزالة هذه الأشياء من على سطح الثلاجة.
تصدر ضوضاء مثل صوت انسكاب سائل أو رشه.
<ul style="list-style-type: none"> • تنساب السوائل والغازات وفقًا لقواعد تشغيل الثلاجة. وهذا طبيعي ولا يعد ذلك عيبًا.
تحدث ضوضاء تشبهه بصفير الرياح.
<ul style="list-style-type: none"> • تستخدم منشطات الهواء (المراوح) للسماح للثلاجة بالتبريد بشكل فعال. وهذا طبيعي ولا يعد ذلك عيبًا.
تكاثف في الحوائط الداخلية للثلاجة.
<ul style="list-style-type: none"> • يزيد الطقس الحار والرطب من التليخ والتكاثف. وهذا طبيعي ولا يعد ذلك عيبًا. • الأبواب مفتوحة جزئيًا. تأكد أن الأبواب مغلقة تمامًا. • قد تكون الأبواب مفتوحة بصورة متكررة جدًا أو قد تكون متروكة مفتوحة لفترة طويلة. افتح الأبواب بتكرار أقل.

7 حلول مقترحة للمشكلات

يرجى مراجعة هذه القائمة قبل الاتصال بمركز الخدمة. فقد يوفر عليك وقتاً ومالاً. تشمل هذه القائمة الشكاوى التي لم تنتج عن عيوب صناعة أو المواد المستخدمة. قد لا تتوافر بعض الميزات الواردة في هذا الدليل في المنتج الخاص بك.

لمعدّل لاجلاً
<ul style="list-style-type: none"> هل الثلاجة متصلة بالتيار الكهربائي؟ توصيل القابس بمنفذ الكهرباء بالحائط. هل احترق منصهر القابس المتصلة به الثلاجة أو المنصهر الرئيسي؟ افحص المنصهر.
<p>تكثف في جانب صندوق الثلاجة. (المنطقة المتعددة، التحكم في التبريد. والمنطقة المرنة)</p> <ul style="list-style-type: none"> الظروف المحيطة باردة جداً. فتح الأبواب وغلقها بشكل متكرر. الظروف المحيطة عالية الرطوبة. تخزين طعام يحتوي على سائل في أوعية مفتوحة. ترك الباب مفتوح جزئياً. تغيير وضع الترموستات إلى الدرجة أكثر برودة. تقليل الوقت الذي ترك الباب فيه مفتوحاً أو استخدامه بصورة أقل. تغطية الطعام المخزن في حاويات مفتوحة بمادة مناسبة. مسح التكثف بقطعة قماش جافة والتحقق من بقائه.
جهاز ضغط الهواء لا يعمل
<ul style="list-style-type: none"> سينصهر العازل الحراري لجهاز ضغط الهواء أثناء الانقطاع المفاجئ للتيار الكهربائي أو توصيل قابس الثلاجة بالتيار الكهربائي أو فصله. لأن ضغط الثلاجة في نظام تبريد الثلاجة لم يتوازن بعد. ستبدأ الثلاجة في العمل بعد 6 دقائق تقريباً. يرجى الاتصال بمركز الصيانة إذا لم تبدأ الثلاجة في العمل بعد انتهاء هذه المدة. الثلاجة في دورة إزالة الثلج. هذا أمر عادي لكل الثلاجات الأوتوماتيكية التي تزيل الثلج. تحدث عملية إزالة الثلج دورياً. الثلاجة غير متصلة بالقابس. تأكد أن القابس موضوع بإحكام في مقبس الحائط. هل تم ضبط درجة الحرارة بشكل صحيح؟ انقطاع التيار الكهربائي. اتصل بشركة الكهرباء. تعمل الثلاجة بصورة متكررة أو لوقت طويل.

<ul style="list-style-type: none"> قد تكون الثلاجة الجديدة أكبر من القديمة. هذا شيء طبيعي تماماً. الثلاجات الكبيرة تعمل لفترات أطول. قد تكون درجة الحرارة المحيطة عالية. وهذا أمر طبيعي جداً. الثلاجة متصلة بالكهرباء منذ قليل أو مليئة بالطعام. قد يستمر تبريد الثلاجة كلبية لساعات أطول. قد تكون هناك كميات كبيرة من الطعام الساخن تم وضعها في الثلاجة مؤخراً. يتسبب الطعام الساخن في تشغيل الثلاجة حتى يصل إلى درجة حرارة التخزين الآمنة. قد تكون الأبواب مفتوحة بصورة متكررة أو مفتوحة جزئياً لفترة طويلة. يتسبب الهواء الساخن الذي دخل الثلاجة في تشغيل الثلاجة لفترة أطول. افتح الأبواب عدداً أقل من المرات. قد يكون باب صندوق الفريزر أو الثلاجة مفتوح جزئياً. تأكد أن الأبواب مغلقة تماماً. تم ضبط الثلاجة على درجة باردة جداً. اضبط درجة حرارة الفريزر على درجة أعلى وانتظر حتى تصل إلى درجة الحرارة المطلوبة. قد يكون عازل باب الثلاجة أو الفريزر متسخاً أو بالياً أو مهتكاً أو مثبت بطريقة غير صحيحة. نظف العازل أو استبدله. لأن العازل الثالف أو المهتك يتسبب في أن تعمل الثلاجة لفترات أطول للحفاظ على درجة الحرارة الحالية.
<p>درجة حرارة الفريزر منخفضة جداً بينما درجة حرارة الثلاجة غير كافية.</p>
<ul style="list-style-type: none"> تم ضبط الفريزر على درجة باردة جداً. اضبط درجة حرارة الفريزر على درجة أعلى ثم تأكد ثانية.
<p>درجة حرارة الثلاجة منخفضة جداً بينما درجة حرارة الفريزر غير كافية.</p>
<ul style="list-style-type: none"> تم ضبط الثلاجة على درجة باردة جداً. اضبط درجة حرارة الثلاجة على درجة أعلى ثم تحقق ثانية.
<p>تجمد الطعام المحفوظ في أدراج صندوق الثلاجة.</p>
<ul style="list-style-type: none"> تم ضبط الثلاجة على درجة باردة جداً. اضبط درجة حرارة الثلاجة على درجة أعلى ثم تحقق ثانية.
<p>درجة حرارة الثلاجة أو الفريزر عالية جداً.</p>

⚠ لا تستخدم الجازولين أو البنزين أو أي مواد مشابهة لأغراض التنظيف.

⚠ نوصي بفصل الجهاز عن التيار الكهربائي قبل تنظيفه.

⚠ لا تستخدم أبداً أي مواد كاشطة أو صابون أو منظفات منزلية أو منظفات غسيل أو شمع التلميع عند التنظيف.

⚠ في غير المنتجات التي تمنع تكون الثلج (No Frost)، يتساقط الماء ويمكن أن يتراكم الثلج بمقدار يصل إلى عرض الإصبع على الجدار الخلفي الداخلي لصندوق الثلاجة. لا تنظفه، ولا تستعمل مطلقاً النفط أو عوامل مماثلة عليه.

⚠ استخدم فقط قطعة قماش من الأنسجة دقيقة رطبة قليلاً لتنظيف السطح الخارجي للمنتج. قد يخدش الإسفنج والأنواع الأخرى من أقمشة التنظيف سطح المنتج.

ⓘ استخدم المياه الفاترة لتنظيف صندوق الثلاجة ثم امسحه ليجف.

ⓘ استخدم قطعة من القماش الملتوية والرطبة مع ملء ملعقة شاي من بيكربونات الصودا مضافة لجالون من الماء لتنظيف الداخل ثم يجفف.

ⓘ تأكد من عدم دخول المياه إلى مبيت المصباح وغيره من العناصر الكهربائية.

ⓘ إذا كانت الثلاجة لن تستعمل لفترة زمنية طويلة، فافصل كابل التيار الكهربائي ثم أفرغ جميع الأطعمة ثم نظفها واترك الباب مفتوح جزئياً.

ⓘ قم بفحص عوازل التبريد في الباب بانتظام للتأكد من سلامتها وخلوها من جزيئات الطعام.

ⓘ لإزالة أرفف الباب، أخرج جميع المحتويات ثم ادفع رف الباب لأعلى بعيداً عن القاعدة.

ⓘ لا تستخدم أبداً مواد التنظيف أو المياه التي تحتوي على الكلورين لتنظيف الأسطح الخارجية والأجزاء المطلوبة بالكروم من المنتج. فالكلورين يتسبب في تآكل هذه الأسطح المعدنية.

ⓘ لا تستخدم الأدوات الحادة والكاشطة أو الصابون، أو مواد التنظيف المنزلية، المنظفات، البنزين، الشمع، الخ، والإستزول الأختام على الأجزاء البلاستيكية ويحدث تشوه. استخدم ماء فاتراً وقماشاً ناعمة للتنظيف والتجفيف.

حماية الأسطح البلاستيكية

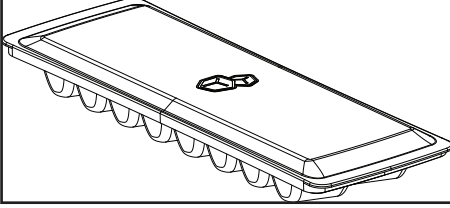
ⓘ لا تضع زيوتاً سائلة أو وجبات مطبوخة بالزيت في الثلاجة في علب غير معزولة، إذ قد تتسبب في تلف الأسطح البلاستيكية للثلاجة. في حالة انسكاب زيت أو تسربه على الأسطح البلاستيكية، نظف هذا الجزء واشطفه فوراً بماء دافئ.

مروحة تبريد تربو

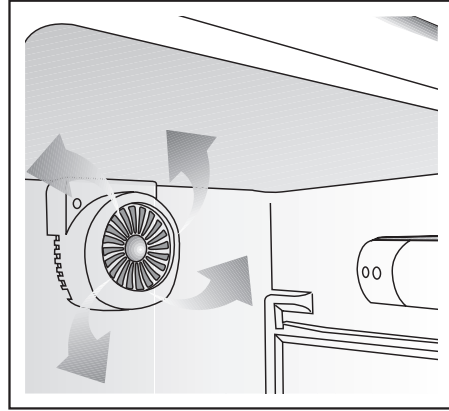
عمل مكعبات الثلج

(في بعض الطرازات)

أملء جهاز عمل الثلج بالمياه وضعه في مكانه. سيتم إعداد الثلج في حوالي ساعتين تقريباً. يمكنك إزالته بسهولة من خلال لف وعاء الثلج



”تم تصميم مروحة التبريد التربو لضمان التوزيع والتدوير المتساوي للهواء البارد داخل الثلاجة. ويختلف وقت تشغيل مروحة التبريد التربو وفقاً لخصائص المنتج. وإذا كانت مروحة التربو تعمل فقط بالضاغط في بعض المنتجات، فإن نظام التحكم يحدد وقت تشغيلها في بعض المنتجات الأخرى وفقاً لمتطلبات التبريد. ويُوضح هذا الأمر على ملصق خاص بالمعلومات والتحذيرات منفصل وملصق على الثلاجات المزودة بمراوح تربو وتعمل في ظروف مختلفة عن الضاغط.“



إيقاف تشغيل الجهاز

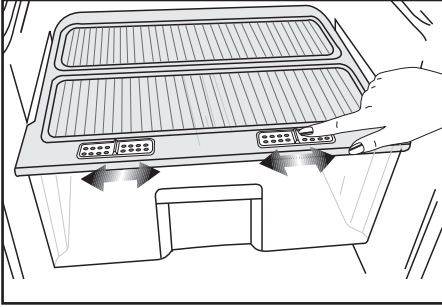
استخدام مزاليق التحكم في الرطوبة بالدرج (في بعض الطرازات)

تم تصميم درج الثلاثة خصيصاً بحيث يحتفظ بالخضروات طازجة دون فقدان رطوبتها. يتم توزيع الهواء البارد بشكل أساسي حول الدرج، كما يتم التحكم في مقدار الهواء البارد الذي يمر من خلال الدرج بواسطة مزاليق بالجانِب الأمامي من غطاء الدرج.

ويمكنك ضبط مزاليق التحكم في الرطوبة على الوضع المناسب طبقاً لحالة الرطوبة والتبريد التي تناسب الطعام الموجود بالدرج.

فإذا رغبت في رفع مستوى تبريد الطعام الموجود بالدرج، افتح فتحات مزاليق التحكم في الرطوبة، وإذا رغبت في تقليل مستوى تبريد الطعام والاحتفاظ به رطباً لفترة أطول، فأغلق تلك الفتحات.

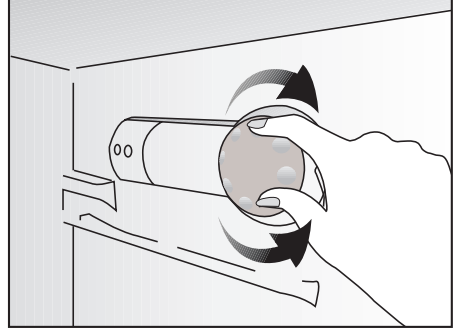
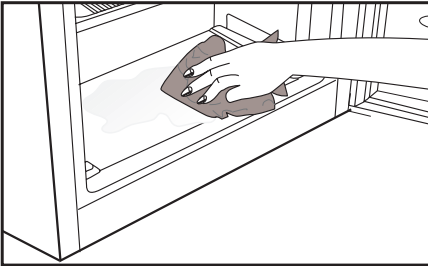
إذا كان الترموستات مزوداً بوضع «0»: يمكنك إيقاف تشغيل الجهاز عن طريق لف مقبض الترموستات إلى الوضع «0» (صفر). سيبدأ تشغيل الجهاز عن طريق لف مقبض الترموستات إلى الوضع «1» أو أي من الأوضاع الأخرى مرة ثانية. إذا كان الترموستات مزوداً بوضع «سالِب»: انزع القابس لإيقاف تشغيل الجهاز.



زر ضبط الترومستات

تغيير درجة حرارة الثلاجة للأسباب التالية:

- لا يقوم صندوق الديب فريزر بإزالة الثلج تلقائياً لمنع فساد الطعام المجمد.
- يجب إزالة الثلج الذي تجمع في صندوق الثلاجة كل 6 أشهر. يوصى بإزالة الثلج عندما يكون صندوق الديب فريزر غير ممتلئ أو فارغاً.
- للقيام بذلك، قم بلف الطعام المجمد بواسطة الورق واحفظه في أبرد مكان ممكن أو في ثلاجة أخرى إن أمكن.
- أوقف تشغيل الثلاجة بواسطة زر ضبط درجة الحرارة أو افصل سلك التيار الكهربائي من منفذ التيار الكهربائي. يمكنك وضع العلبة الممتلئة بماء ساخن في صندوق الفريزر أو اترك باب صندوق الفريزر مفتوحاً لتسريع عملية إزالة الثلج.
- أزل الماء المتجمع في الصندوق السفلي لصندوق الفريزر بواسطة قطعة قماش ماصة أو قطعة إسفنج.
- قم بتجفيف صندوق الفريزر تماماً وأعد زر ضبط درجة الحرارة إلى وضعه السابق.
- قم بتشغيل الثلاجة لمدة 2 ساعتين عندما تكون فارغة وأبوابها مغلقة قبل وضع الطعام في الديب فريزر.



- درجات الحرارة الموسمية
- فتح باب الثلاجة بشكل متكرر وتركه مفتوحاً لفترات طويلة.
- الطعام الذي تم وضعه في الثلاجة بدون تبريده إلى درجة حرارة الغرفة.
- مكان الثلاجة في الغرفة (مثل التعرض لأشعة الشمس).
- يمكنك ضبط درجة حرارة الثلاجة المتغيرة لهذه الأسباب بواسطة الترومستات. تشير الأرقام الموجودة على زر الترومستات إلى درجات التبريد.
- إذا كانت درجة الحرارة المحيطة أعلى من 32 درجة مئوية، أدر زر الترومستات إلى وضع الحد الأقصى.
- إذا كانت درجة الحرارة المحيطة أقل من 25 درجة مئوية، أدر زر الترومستات إلى وضع الحد الأدنى.

إزالة الثلج

يقوم صندوق الثلاجة بإزالة الثلج تلقائياً. يمر الماء الناتج عن إزالة الثلج من تجويف تجميع الماء ويتدفق في المبخار من خلال أنبوب الصرف ويتبخر من تلقاء نفسه.

المحيطة إلى الطبيعية، يمكنك تغيير إعدادات المفتاح وفقاً لحاجتك.

إذا انخفضت درجة الحرارة المحيطة إلى أدنى من 0° مئوية، فسيجمد الطعام في مقصورة الثلاجة.

وبالتالي، ننصح بعدم استخدام مقصورة الثلاجة بمثل هذه الدرجات من درجات الحرارة المنخفضة المحيطة. ويمكنك الاستمرار باستخدام مقصورة الفريزر كالمعتاد.

في بعض الموديلات، تتوقف لوحة الأدوات 5 دقائق بعد إغلاق الباب. سيتم إعادة تفعيلها عند فتح الباب أو الضغط على أي مفتاح.

نظراً لتغير درجات الحرارة نتيجة لفتح / إغلاق باب الجهاز أثناء العملية، فالتكثيف على الباب / والرفوف والعبوات الزجاجية أمر طبيعي.

• يجب تركيب الثلاجة على بعد 30 سم متر على الأقل من مصادر الحرارة مثل المواقد والأفران والسخان المركزي والمواقد وعلى بعد 5 سم متر على الأقل من الأفران الكهربائية ويجب عدم وضعها في ضوء الشمس المباشر.

• تأكد من نظافة الثلاجة من الداخل بالكامل.

• إذا كنت تصدّد تركيب مبردين جنباً إلى جنب، يجب المبادعة بينهما بمسافة 2 سم على الأقل.

• عند تشغيل الثلاجة للمرة الأولى، يرجى مراعاة التعليمات التالية أثناء الساعات الستة الأولى.

• يجب عدم فتح الباب بصورة متكررة.

• يجب تشغيلها وهي خاوية بدون وضع أي أطعمة داخلها.

• لا تنزع قابس التيار الكهربائي للثلاجة. إذا توقف التيار الكهربائي رغماً عنك، يرجى قراءة التحذيرات الواردة في قسم "حلول مقترحة للمشكلات".

• هذا المنتج صمم ليعمل تحت درجات حرارة محيطية تصل إلى 43° مئوية (90 فهرنهايت). حتى إذا انخفضت درجة الحرارة المحيطة إلى 15-° مئوية،

فإن الطعام المجمد في الفريزر لا يذوب بفضل النظام الإلكتروني المتقدم للتحكم بالحرارة. لأول

تركيب، لا ينبغي وضع المنتج تحت درجات حرارة محيطية منخفضة. ذلك بسبب أن الفريزر لا يمكنه أن ينخفض عن درجات حرارة التشغيل المعيارية. عند

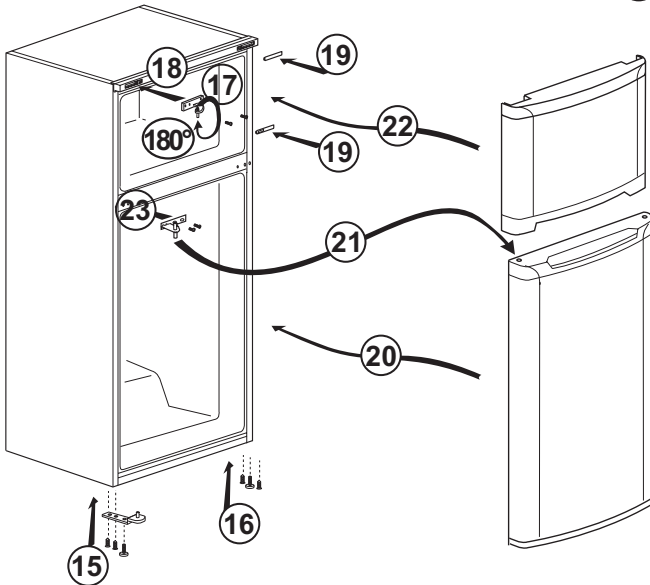
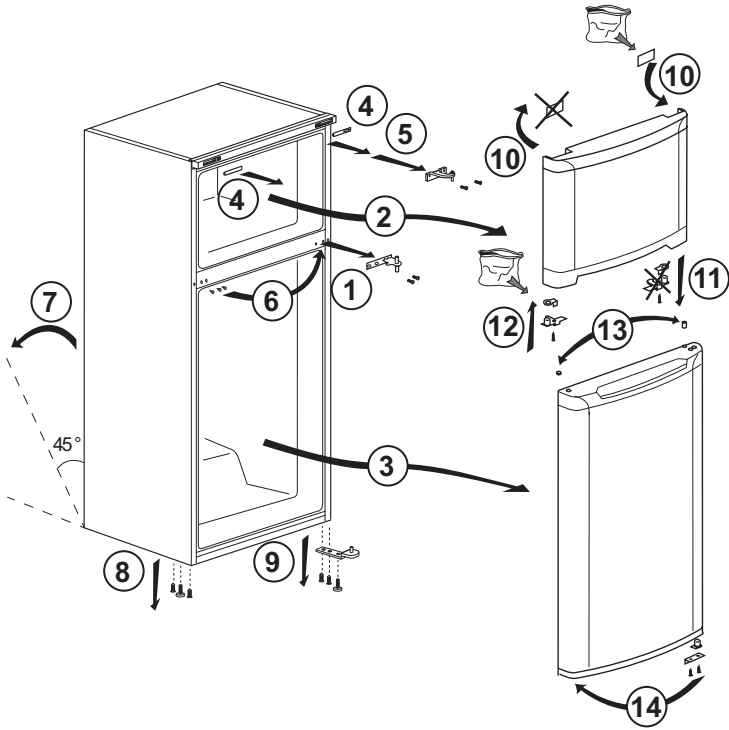
الوصول لتشغيل مستمر، يمكن تحريك المنتج إلى مكان آخر. وبالتالي، يمكنك فيما بعد وضع منتجك

في الجراج أو غرفة غير مدفأة بدون قلق من التسبب في تجمد الطعام حتى يفسد. ومع ذلك، فمن المحتمل

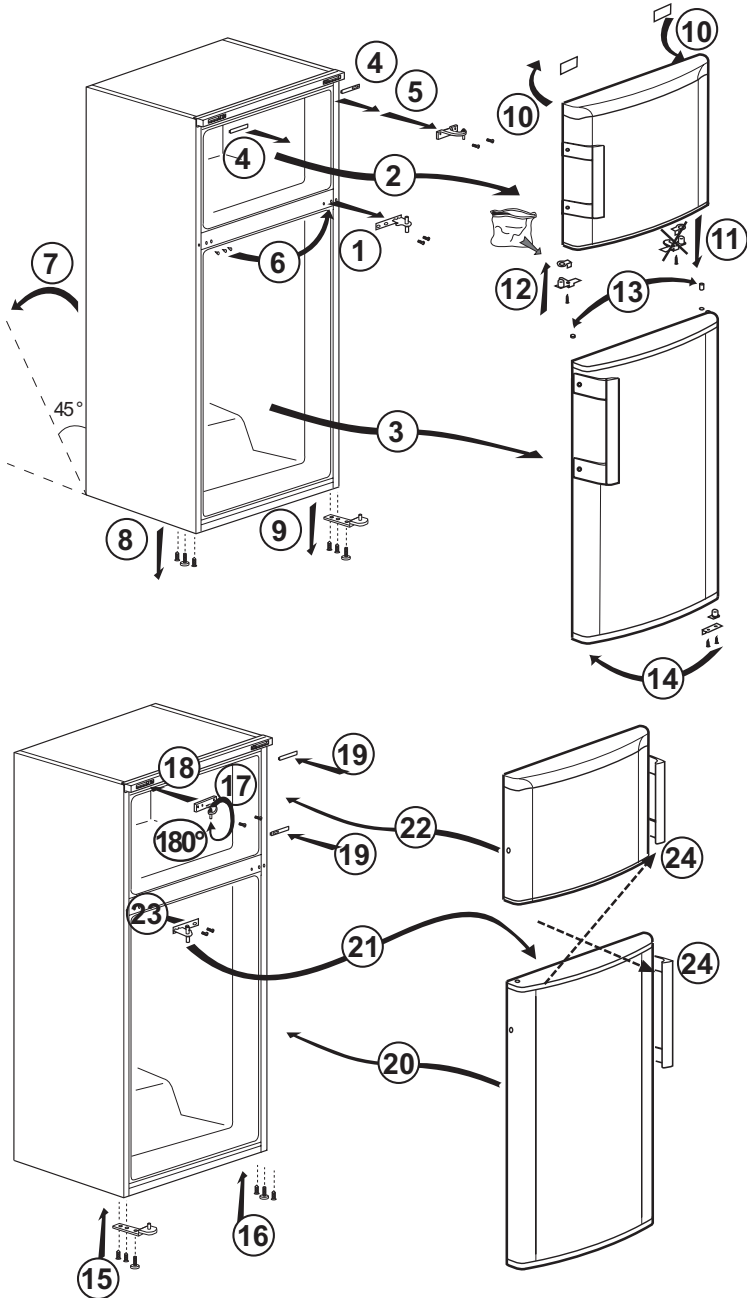
أن تتسبب درجات الحرارة المنخفضة المذكورة أعلاه في تجمد الطعام في مقصورة الثلاجة، ولذلك

يرجى استهلاك الأطعمة في الثلاجة بطريقة مخططة على قدر الحاجة. عندما تعود درجات الحرارة

عكس الأبواب
اتبع الترتيب الرقمي.



عكس الأبواب
اتبع الترتيب الرقمي.



تغيير مصباح الإضاءة

لتغيير المصباح/مصباح الإضاءة الخلفية (LED) المستخدم في إضاءة الثلاجة، يرجى الاتصال بمركز الصيانة المعتمد.

المصباح (المصابيح) المستخدمة في هذا

الجهاز غير مناسبة للإضاءة في الغرف

المنزلية. الغرض الأساسي لهذا المصباح هو

مساعدة المستخدم لوضع أدوات الطعام في

الثلاجة/المجمّد بطريقة سهلة وآمنة

المصابيح المستخدمة في هذا الجهاز لها قدرة

تحمل تتمثل في درجات الحرارة أقل من 20-

درجة مئوية.

ضيق بدرجة لا تسمح بمرور الثلاجة من خلاله، فأتصل بمركز الصيانة المعتمد لإزالة أبواب الثلاجة وتمريضها وهي مائلة من الباب.

1. ركب الثلاجة في مكان يسمح بسهولة الاستخدام.

2. ضع الثلاجة بعيداً عن مصادر الحرارة والمناطق الرطبة وأشعة الشمس المباشرة.

3. يجب أن تتوفر التهوية المناسبة حول الثلاجة للحصول

على تشغيل يتسم بالكفاءة. إذا كانت الثلاجة ستوضع

في تجويف داخل الحائط، فيجب أن يكون بترك 5

سم على الأقل بينها وبين السقف و 5 سم على الأقل

بينها وبين الحائط. لا تضع ثلاجتك على مواد مثل

السجاد أو الموكيت.

4. ضع الثلاجة على سطح مستو لمنع الحركة المفاجئة.

ضبط أقدام الثلاجة

إذا كانت الثلاجة غير متزنة؛

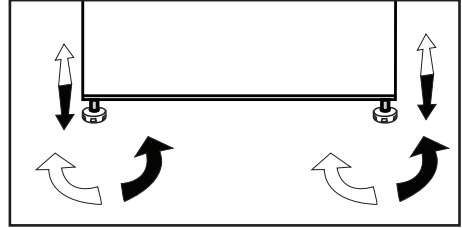
يمكن ضبط اتزان الثلاجة بتدوير الأقدام الأمامية كما

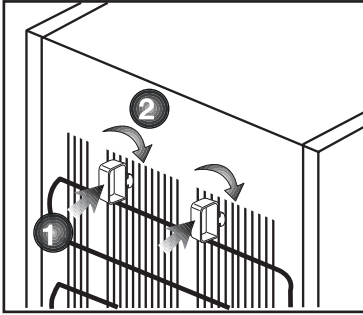
هو موضح بالشكل. يتم خفض الركن الموجود به القدم

عند التدوير باتجاه السهم الأسود ويرتفع عند التدوير

في الاتجاه المعاكس. ستساعد الاستعانة بشخص آخر

في رفع الثلاجة قليلاً في إنجاز هذه العملية.





ليلدب تدر اولاً تامولعملاب نخلأ مدء تلاح في ة
عنصملا لمحتيلا ، رابتعلا في ةمختسما
اذهلا ةجيتت تيلوؤسم يا

نقاط يجب الإهتمام بها عند التلاجة.

1. يجب نزع القابس. قبل نقل التلاجة بالموصلات يجب تفرغها وتنظيفها .
2. قبل إعادة تعيبتها، يجب تثبيت الأرفف والملحقات والدرج... الخ، داخل التلاجة بشرط لاصق وتأمينها ضد الصدمات. يجب لف عبوة التلاجة بشرط يسميك أو بحبال سليمة ويجب الالتزام بقواعد نقل عبوة التلاجة بصراحة.

3. يجب الحفاظ على العبوة الأصلية و مواد التغليف المصاحبة لأغراض النقل المستقبلية أو الانتقال.

قبل بدأ تشغيل التلاجة،

تحقق من التالي قبل بدأ تشغيل التلاجة:

1. أرفق الأسافين البلاستيكية كما هو موضح أدناه. يتم استخدام الأسافين البلاستيكية للحفاظ على وجود مسافة والتي ستؤكد على تدوير الهواء بين التلاجة والحائط. وضعت هذه الصورة كوصف تصويري ولا تتطابق بالكامل مع المنتج الخاص بك.)
2. نظف الجزء الداخلي للتلاجة كما هو موصى به في قسم "الصيانة والتنظيف".
3. قم بتوصيل قابس التلاجة مع مقبس الحائط. عند فتح باب التلاجة، سيضيء المصباح الداخلي.
4. عندما يبدأ المكثف بالعمل، ستسمع صوتاً. قد تؤدي السوائل والغازات المتسربة من جهاز التلاجة إلى إحداث ضوضاء، حتى إن كان جهاز ضغط الهواء لا يعمل وهذا أمر طبيعي.
5. قد يكون ملمس الحواف الأمامية للتلاجة دافئاً. هذا شيء طبيعي. حيث تم تصميم هذه المناطق حتى تكون دافئة تجنباً للتكاثف.

التوصيل الكهربائي

صل المنتج بمنفذ توصيل أرضي محمي بمنصهر ذي سعة مناسبة.

هام:

- يجب أن يتوافق التوصيل مع اللوائح الوطنية.
- يجب أن يكون قابس التيار في مكان يسهل الوصول إليه بعد التركيب.

- يمكن ضمان السلامة الكهربائية للتلاجة فقط إذا كان نظام التوصيل الأرضي في منزلك يتوافق مع

- المعايير.
- جهد التيار الكهربائي المذكور على الملصق الموجود على الجانب الداخلي الأيسر من المنتج يجب أن يكون مساوياً لجهد الشبكة لديك.
- يجب عدم استخدام الوصلات الكهربائية والمقابس متعددة المسالك للتوصيل.

⚠ يجب أن يتم استبدال كابل التيار التالف بواسطة فني الكهرباء المعتمد.

⚠ يجب ألا يتم تشغيل المنتج قبل إصلاحه! حيث يوجد خطر يكمن في التعرض لصدمة كهربائية!

التخلص من عبوة المنتج

قد تكون مواد التغليف خطرة على الأطفال. احتفظ بمواد التغليف بعيداً عن متناول الأطفال أو تخلص منها بتصنيفها وفقاً لتعليمات التخلص من المخلفات المحددة من السلطات المحلية. لا تتخلص من المخلفات مع مخلفات المنزل العادية، قم بالتخلص منها من خلال نقاط التقاط مواد التعبئة والتغليف المحددة من السلطات المحلية.

يتم تصنيع حزمة تعبئة التلاجة من مواد قابلة لإعادة التدوير.

التخلص من التلاجة القديمة

تخلص من الجهاز القديم دون إحداث أي ضرر بالبيئة.

- يمكنك استشارة الوكيل المعتمد لديك أو مركز تجميع النفايات بمدينتك حول التخلص من التلاجة القديمة. قبل التخلص من التلاجة، اقطع القابس الكهربائي، وفي حالة وجود أي أقفال على باب التلاجة، اجعلها غير قابلة للتشغيل لحماية الأطفال من أي خطر.

الوضع والتركيب

⚠ إذا كان باب الحجره التي ستوضع بها التلاجة

بيانات التغليف

الفريرز عندما تقوم بإخراج الرفوف أو الأدرج منه. استهلاك الطاقة المذكورة والخاص بالثلاجة تم تحديده أثناء إخراج الرف والدرج من الفريرز وتحميله بالحد الأقصى للحمولة. ولا توجد خطورة من استخدام الرف أو الدرج وفقاً للأشكال وأحجام الأطعمة المطلوب تجميدها.
إذابة الطعام المجمد في مقصورة الثلاجة ستوفر الطاقة وتحفظ جودة الطعام.

تم تصنيع مواد التغليف الخاصة بهذا المنتج من مواد قابلة لإعادة التصنيع وفقاً للوائح البيئية المحلية الخاصة بنا. لا تتخلص من مواد التغليف مع النفايات المنزلية أو النفايات الأخرى. بل تتخلص منها في نقاط تجميع مواد التغليف المعينة من قبل السلطات المحلية.
لا تنسى...

يجب عدم التخلص من أية مواد قابلة لإعادة التدوير حفاظاً على الطبيعة وثروة الموارد القومية.
إذا كانت تريد أن تشارك في إعادة تقييم مواد التعبئة، يمكنك استشارة منظمات البيئة أو المجالس البلدية التي بجوارك.

تحذير الحرارة والتبريد والتهوية (HC)

إذا كان المنتج مزوداً بنظام تبريد يحتوي على

R600a

هذا الغاز قابل للاشتعال. ولذا، يجب توخي الحذر حتى لا يتم إتلاف نظام التبريد والأنابيب أثناء الاستخدام والنقل. في حالة التلف، لا تتخلص من المنتج بإلقائه في النيران، واحتفظ به بعيداً عن مصادر النيران المحتملة والتي يمكن أن تتسبب في نشوب النيران بالمنتج واحرص على تهوية الحجره التي تحتفظ بالمنتج فيها.

إذا كان المنتج مزوداً بنظام تبريد يحتوي على

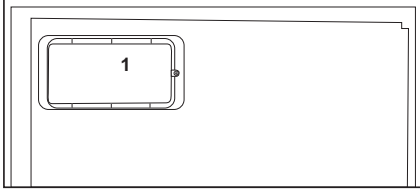
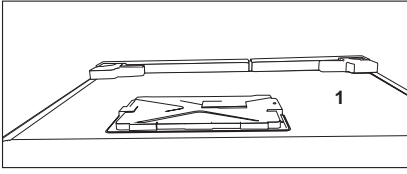
R134a

نوع الغاز المستخدم في هذا المنتج مذكور على ملصق النوع الموجودة على الجانب الأيسر الداخلي للثلاجة.

لا تتخلص من المنتج مطلقاً بإلقائه في النيران.

أشياء يجب عملها لتوفير الطاقة

- لا تترك أبواب الثلاجة مفتوحة لفترة طويلة.
- لا تضع الأطعمة أو الخضروات الساخنة في الثلاجة.
- لا تزيد حمل الثلاجة بحيث لا تمنع دورة الهواء داخلها.
- لا تترك الثلاجة تحت أشعة الشمس المباشرة أو بالقرب من أجهزة تنبعث من حرارة مثل الفرن أو غسالة الأطباق أو المشع. يجب وضع الثلاجة على بعد 30 سم على الأقل من مصادر الحرارة المنبعثة وعلى الأقل 5 سم من المواد الكهربائية.
- يجب وضع الطعام في علب مغلقة.
- بالنسبة للمنتجات المزودة بمقصورة فريرز، يمكنك تخزين الحد الأقصى من كمية الطعام في



تأمين سلامة الأطفال

- إذا كان الباب مزودًا بقلع، فينبغي الاحتفاظ بالمفتاح بعيدًا عن متناول الأطفال.
 - يجب رقابة الأطفال حتى لا يعيثوا بالمنتج.
- متوافق مع تشريعات WEEE في التخلص من المنتجات التالفة.**

هذا الجهاز لا يحتوي على مواد مؤذية أو محرمة من تلك المشار إليها في "تشريعات الرقابة على نفايات الأجهزة الكهربائية والإلكترونية" المصدرة من وزارة البيئة وتخطيط المدن التركية. متوافق مع تشريعات WEEE.

تم تصنيع هذا الجهاز بأجزاء ومواد عالية الجودة يمكن إعادة استخدامها وهي مناسبة لإعادة التدوير. وعلى ذلك، لا تتخلص من الجهاز مع النفايات المنزلية العادية في نهاية فترة حياته. عليك أخذه إلى نقطة التجميع لإعادة تدوير المعدات



الكهربائية والإلكترونية. يرجى التشاور مع السلطات المحلية لمعرفة أقرب نقطة تجميع. ساعد في حماية البيئة والموارد الطبيعية عبر إعادة تدوير المنتجات المستخدمة. لسلامة الأطفال، اقطع كابل الطاقة واكسر آلية القفل للباب، إن وجدت، حتى لا يمكن استخدامها قبل التخلص من الجهاز.

التوافق مع توجيهات RoHS:

يتوافق المنتج الذي قمت بشراؤه مع توجيهات RoHS للاتحاد الأوروبي (EU/2011/65). لا يحتوي على مواد ضارة أو محظورة مشار إليها في التوجيهات.

تقع عند فتح باب الثلاجة أو غلقه. ينبغي عدم حفظ المنتجات التي تحتاج إلى تحكم دقيق في درجات الحرارة (الأمصال أو الأنوية ذات الحساسية للحرارة أو المواد العلمية أو ما شابه) في الثلاجة. إذا لن يتم استخدام الثلاجة لفترة طويلة، فيجب فصلها عن التيار الكهربائي. قد تتسبب أي مشكلة في عزل الكابل في نشوب حريق.

من الممكن أن تتحرك الثلاجة إذا لم يتم تثبيتها بإحكام على الأرض. يمكن للأقدام القابلة للضبط المثبتة بإحكام على الأرض أن تثبت الثلاجة في مكانها ولا تتحرك. عند حمل الثلاجة، لا تمسكها من مقبض الباب. وإلا فيكسر.

يجب أن يكون ضغط مدخل الماء البارد 90psi كحد أقصى (620 kPa). إذا تجاوز ضغط الماء 80 psi (550 kPa) (بار)، استخدم صمام حد الضغط في نظامك الرئيسي. إذا كنت لا تعلم كيف تفحص ضغط الماء الخاص بك، اطلب المساعدة من سمكري متخصص.

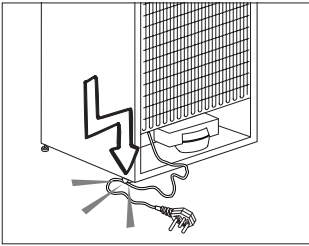
إذا ظهر خطر تأثير الطرق المائي أثناء التركيب، استخدم معدات منع الطرق المائي في التركيب دائمًا. استشر سمكري متخصص إن لم تكن متأكدًا من عدم وجود تأثير للطرق المائي في التركيب.

لا تركبه على مدخل الماء الساخن. يجب أخذ الحيطة من خطر تجمد الخرطوم. يجب أن تكون درجة حرارة الماء 33 ف (0.6 م) كحد أدنى و100 ف (38 م) كحد أقصى.

لا تستخدم الجهاز إذا كان القسم الموجود على سطح الجهاز أو على ظهره الذي يحوي ألواحًا إلكترونية مطبوعة في الداخل مفتوحًا (غطاء

وح الدائرة الإلكترونية المطبوعة) (1).

- تم تصميم هذه الثلاجة فقط لحفظ الطعام. يجب ألا تستخدم لأية أغراض أخرى.
- يوجد ملصق التصنيف الذي يحتوي على المواصفات الفنية للمنتج في الجزء الأيسر الداخلي للثلاجة.
- لا تصل الثلاجة بأي نظم إلكترونية لتوفير الطاقة فقد يتلف المنتج.
- إذا كانت الثلاجة بها لون أزرق، فلا تنتظر إلى اللون الأزرق من خلال أجهزة بصرية. إذا كان هناك ضوء أزرق على الثلاجة، لا تنتظر إليه بالعين المجردة أو بالأدوات البصرية لفترة طويلة.
- ينبغي تسليم دليل التشغيل هذا إلى المالك الجديد للثلاجة عند بيعها للآخرين.
- تجنب تلف كابل الطاقة أثناء نقل الثلاجة. قد يتسبب الكابل المثني في نشوب حريق. لا تضع أي أشياء ثقيلة على كابل الطاقة.
- لا تقم بلمس القابس بأيدي مبتلة عند توصيل قابس الثلاجة.



- تصل الثلاجة إذا كان منفذ التيار الكهربائي غير محكم.
- ينبغي عدم نثر الماء على الأجزاء الداخلية أو الخارجية للثلاجة لدواعي السلامة.
- لا تترس مواد قابلة للاشتعال مثل غاز البروبين بالقرب من الثلاجة بسبب مخاطر نشوب النيران والانفجار.
- لا تضع أشياء مملوئة بماء أعلى الثلاجة، ففي حالة إنسكابها، فقد تؤدي إلى صدمة كهربائية أو نشوب حريق.
- لا تزيد من حمولة الثلاجة بالأطعمة. إذا كانت الثلاجة بها حمل زائد، فقد يسقط الطعام ويصيبك ويتلف الثلاجة عند فتح الباب.
- لا تضع أشياء ثقيلة أعلى الثلاجة حيث قد

- لا تغط فتحات تهوية الثلاجة أو تسدها بأي مواد.
- يجب إجراء الإصلاحات بواسطة شخص مؤهل فقط. فعمليات الإصلاح التي يقوم بها أشخاص غير مؤهلين قد تمثل خطورة على المستخدم.
- في حالة وقوع أي عطل أو أثناء أي عملية صيانة أو أعمال إصلاح، افصل الثلاجة عن مصدر التيار الكهربائي الرئيسي إما بإغلاق المنصهر المعني أو بنزع قابس التيار الكهربائي الخاص بالجهاز.
- لا تجذب الكابل - بل اجذب من المقبس.
- تحقق من أن المشروبات الكحولية مخزنة بشكل آمن، محكمة الإغلاق و في وضع رأسي.
- يجب عدم الاحتفاظ في الثلاجة بالمواد القابلة للاشتعال أو المنتجات التي تحتوي على غازات قابلة للاشتعال (مثل الإسبراي) وكذلك المواد القابلة للانفجار.
- يجب عدم استخدام أدوات ميكانيكية أو أية وسائل أخرى للتسريع من عملية إزالة التجميد، بخلاف الأدوات التي توصي بها الجهة المصنعة.
- هذا الجهاز غير مُعد للاستخدام بواسطة الأفراد (بما في ذلك الأطفال) ذوي القدرات الجسدية والحسية والذهنية المحدودة، أو الأفراد الذين يفتقدون للخبرة والمعرفة ما لم يتم الإشراف عليهم أو إعطائهم تعليمات استخدام الجهاز بواسطة شخص مسؤل عن سلامتهم أو الشخص الذي سيقوم بإعطائهم التعليمات الخاصة باستخدام المنتج.
- لا تقم بتشغيل الثلاجة وهي تالفة. استشر مركز الصيانة إذا لديك أي شك.
- يمكن ضمان السلامة الكهربائية للثلاجة فقط إذا كان نظام التوصيل الأرضي في منزلك يتوافق مع المعايير.
- إن تعريض الجهاز للأمطار والثلج و الشمس والرياح يمثل خطورة فيما يتعلق بالسلامة الكهربائية.
- اتصل بفني خدمة مؤهل في حالة وجود تلف بكابل الطاقة لتجنب المخاطر.
- لا تقم بتوصيل الثلاجة بمنفذ الحائط أبداً أثناء عملية التركيب. وإلا، فهناك خطر أن تلقى مصرعك أو تلحق بك إصابة خطيرة.

2 تحذيرات السلامة المهمة

يرجى فحص المعلومات التالية. ربما يؤدي الإخفاق في اتباع هذه المعلومات إلى إصابات أو تلف للممتلكات. ومن ثم، قد تصبح كل التزامات الفعالية والضمان غير سارية.

- سيتم توفير قطع غيار أصلية لمدة 10 سنوات. أحوالاً، بعد تاريخ الشراء المنتج.

الغرض المخصص

تحذير: حافظ على فتحات التهوية في تجويف الجهاز أو في البنية المدمجة خالية من الانسداد.	⚠
تحذير: لا تستخدم الأجهزة الميكانيكية أو الوسائل الأخرى لتسريع عملية إزالة الصقيع غير تلك التي يوصي بها المصنع.	⚠
تحذير: لا تلتف الدائرة الكهربائية لمادة التبريد.	⚠
تحذير: لا تستخدم الأجهزة الكهربائية في حجرة المون في الجهاز إلا إذا كانت من النوع الذي يوصي بها المصنع.	⚠
تحذير: لا تقم بتخزين المواد المتفجرة مثل لعب الهباء الجوي مع بالوقود قابل للاشتعال في هذا الجهاز	⚠

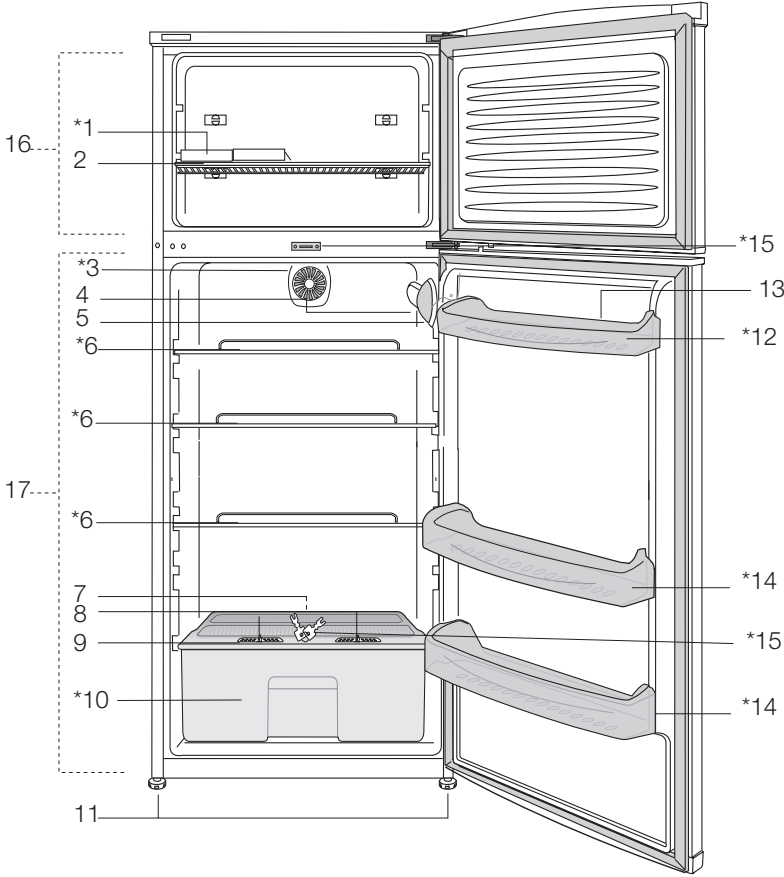
هذا الجهاز مصمم للاستخدام المنزلي والتطبيقات المماثلة مثل مناطق كادر الطبخ في المتاجر والمكاتب

وبيئات العمل الأخرى؛

- المزارع و النزلاء في الفنادق وفنادق الطرق والبيئات السكنية المماثلة؛ أماكن المبيت والإفطار؛
- أماكن المبيت والإفطار؛
- عمليات التموين والتطبيقات المماثلة في غير محلات التجزئة.

السلامة العامة

- إذا أردت التخلص من الجهاز، فيوصى باستشارة مركز الصيانة المعتمد لمعرفة المعلومات المطلوبة والهيئات المعتمدة.
- استشر مركز الصيانة المعتمد حول كل الاستفسارات والمشكلات المتعلقة بالثلاجة. لا تتدخل ولا تدع أحداً يتدخل في صيانة الجهاز دون إخبار مراكز الصيانة المعتمدة. بالنسبة للمنتجات المزودة بمقصورة فريزر، لا تأكل بسكويت الأيس كريم ومكعبات الثلج مباشرة بعد إخراجها من صندوق الفريزر. (فقد يسبب هذا لسعة صقيع داخل فمك.)
- بالنسبة للمنتجات المزودة بمقصورة فريزر، لا تضع المشروبات السائلة المعلبة أو الموضوع في زجاجات في صندوق الفريزر. والإ، فقد تنفجر.
- لا تلمس الطعام المجمد باليد، فقد يلتصق بيديك.
- افصل قلبس التيار الكهربائي قبل تنظيف الثلجة أو إزالة الثلج.
- لا يجب استخدام البخار أو مواد التنظيف بالبخار أبداً في تنظيف أو عمليات إزالة الثلج من الثلجة. ففي مثل هذه الحالة، قد يتفاعل البخار مع القطع الكهربائية ويؤدي إلى قطع التيار الكهربائي أو وقوع صدمة كهربائية.
- لا تستخدم مطلقاً قطع الثلجة، مثل الباب كوسيلة دعم أو للوقوف عليه.
- لا تستخدم أي أجهزة كهربائية داخل الثلجة. لا تتلف الأجزاء حيث يتم تدوير الهواء البارد بأدوات حفر أو قطع. فقد ينفجر المبرد عند ثقب قنوات الغاز أو المبخر أو وصلات الأنابيب أو طلاءات السطح، وقد يتسبب ذلك في حدوث اعتلال للجلد وإصابات للعين.



- 9- غطاء ال
 10- مش الغطاء
 11 أقدام أمامية قابلة للضبط
 12- أرفف الباب
 13- درج البيض
 14- رف الزجاجات
 15- مفتاح
 16 - صندوق الفريزر
 17-صندوق الثلجة

- 1- درج مكعبات الثلج
 2- رف الفريزر
 3- مروحة
 4- باح الداخلي
 5- مقبض الترومستات
 6- أرفف صندوق الثلجة
 7- قناة تجميع ماء الثلج المذاب - أنبوب تصريف
 8- غطاء الدرج

يرايخا *

❏ الأشكال الواردة في دليل التعليمات هذا هي رسومات بيانية وقد لا تتطابق تمامًا مع الجهاز. إذا لم تكن هذه القطع واردة في هذا الجهاز الذي اشتريته، فإنها مناسبة لأنواع أخرى.

1 ثلاجتك

3

2 تحذيرات السلامة المهمة 4

- 4.....الغرض المخصص
4.....السلامة العامة
6.....تأمين سلامة الأطفال
متوافق مع تشريعات WEEE في التخلص من
المنتجات التالفة.....6
التوافق مع توجيهات RoHS:.....6
بيانات التغليف.....7
تحذير الحرارة والتبريد والتهوية (HC)7
أشياء يجب عملها لتوفير الطاقة.....7

3 التركيب 8

- 8.....نقاط يجب الإهتمام بها عند الثلاجة.
8.....قبل بدأ تشغيل الثلاجة،
8.....التوصيل الكهربائي
8.....التخلص من عبوة المنتج
8.....التخلص من الثلاجة القديمة.
8.....الوضع والتركيب
9.....ضبط أقدام الثلاجة
9.....تغيير مصباح الإضاءة
10.....عكس الأبواب
11.....عكس الأبواب
12.....عكس الأبواب

4 الإعداد

13

5 استخدام الثلاجة

14

- 14.....زر ضبط الترومستات
14.....إزالة الثلج
15.....استخدام مزاليق التحكم في الرطوبة بالدرج
16.....عمل مكعبات الثلج

6 الصيانة والتنظيف

17

- 17.....حماية الأسطح البلاستيكية

7 حلول مقترحة للمشكلات

18

يرجى قراءة هذا الدليل أولاً!

عميلنا العزيز،

عميلنا العزيز نأمل أن هذا المنتج والذي تم إنتاجه في مصانع حديثة وفحصه بإجراءات صارمة لرقابة الجودة سيقدم لكم خدمة فعالة.

ولذلك فنحن نوصي بقراءة هذا الدليل بالكامل بعناية قبل استخدامه وحفظه للرجوع إليه في المستقبل.

هذا الدليل

- سيساعدك على استخدام الجهاز بسرعة وبطريقة مأمونة.
- يرجى قراءة هذا الدليل قبل تركيب المنتج وتشغيله.
- يرجى اتباع الإرشادات، خاصة تلك المتعلقة بالسلامة.
- احتفظ بهذا الدليل في مكان يسهل الوصول إليه عند الحاجة إليه في المستقبل.
- وبالإضافة إلى ذلك، يرجى قراءة المستندات الأخرى المرفقة مع المنتج.
- يرجى ملاحظة أن هذا الدليل قد يكون صالحاً لأنواع أخرى أيضاً.

الرموز ومعانيها.

يحتوي دليل التعليمات هذا على الرموز التالية.

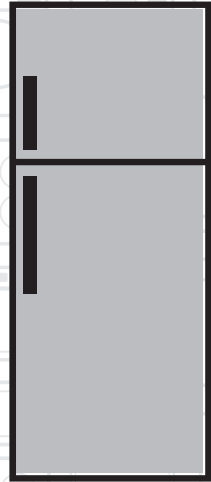
① معلومات مهمة أو تلميحات استخدام مفيدة

⚠ تحذير ضد الأحوال الخطرة على حياة البشر والممتلكات.

⚡ تحذير ضد الفولتية الكهربائية.

الثلاجة

دليل المستخدم



AR

beko



www.beko.com

58 2193 0000/AA
EN-AR