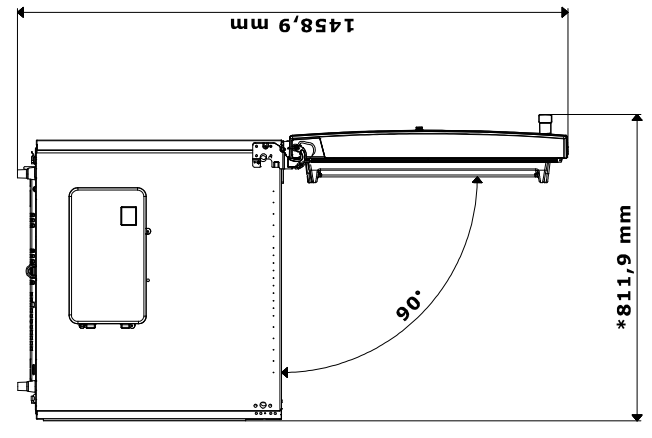
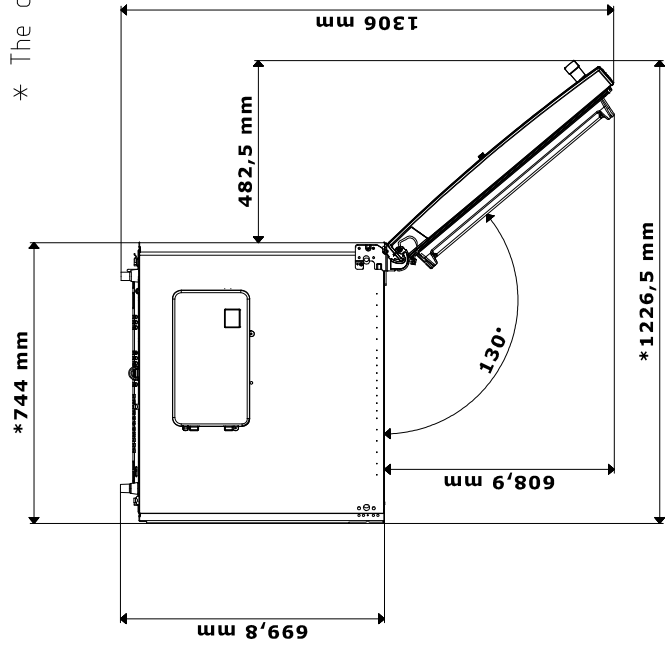


\* The dimension vary in a range of a specified value -40 to +0 depending on the handle type of the appliance.



# D74560NE

