

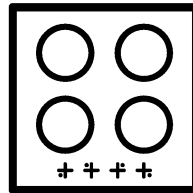
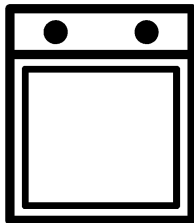


Built-in Oven

User Manual

Рерна за вградување

Упатство за корисникот



BSM25320X

EN / MK

285.4445.12/R.AC/26.11.2019/2-1

7751788311

Please read this user manual first!

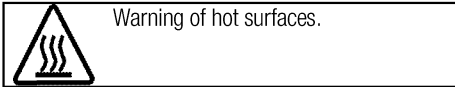
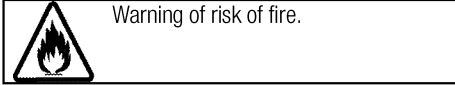
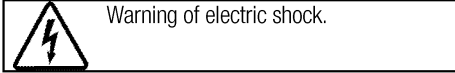
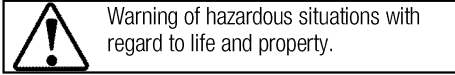
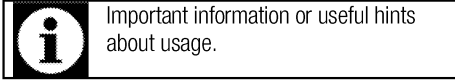
Dear Customer,

Thank you for purchasing this Beko product. We hope that you get the best results from your product which has been manufactured with high quality and state-of-the-art technology. Therefore, please read this entire user manual and all other accompanying documents carefully before using the product and keep it as a reference for future use. If you handover the product to someone else, give the user manual as well. Follow all warnings and information in the user manual.

Remember that this user manual is also applicable for several other models. Differences between models will be identified in the manual.

Explanation of symbols

Throughout this user manual the following symbols are used:



Arçelik A.Ş.
Karaağaç caddesi No:2-6
34445 Sütlüce/İstanbul/TURKEY
Made in TURKEY



This product was manufactured using the latest technology in environmentally friendly conditions.

TABLE OF CONTENTS

1 Important instructions and warnings for safety and environment 4

General safety	4
Electrical safety	4
Product safety	5
Intended use	7
Safety for children.....	7
Disposing of the old product.....	8
Package information	8

2 General information 9

Overview	9
Package contents	10
Technical specifications	11

3 Installation 12

Before installation	12
Installation and connection	14
Future Transportation.....	16

4 Preparation 17

Tips for saving energy	17
Initial use.....	17
Time setting	17
First cleaning of the appliance	17

Initial heating	17
-----------------------	----

5 How to operate the oven 19

General information on baking, roasting and grilling	19
How to operate the electric oven	19
Operating modes.....	20
Using the oven clock	21
Cooking times table.....	23
How to operate the grill.....	25
Cooking times table for grilling.....	25

6 Maintenance and care 26

General information.....	26
Cleaning the control panel	26
Cleaning the oven	26
Removing the oven door	27
Removing the door inner glass	27
Replacing the oven lamp.....	28

7 Troubleshooting 30

1 Important instructions and warnings for safety and environment

This section contains safety instructions that will help protect from risk of personal injury or property damage. Failure to follow these instructions shall void any warranty.

General safety

- This appliance can be used by children aged from 8 years and above and persons with reduced physical, sensory or mental capabilities or lack of experience and knowledge if they have been given supervision or instruction concerning use of the appliance in a safe way and understand the hazards involved.

Children shall not play with the appliance. Cleaning and user maintenance shall not be made by children without supervision.

- The appliance is not to be used by persons (including children) with reduced physical, sensory or mental capabilities, or lack of experience and knowledge, unless they have been given supervision or instruction. Children should be supervised and ensure they do not play with the appliance
- If the product is handed over to someone else for personal use or second-hand use purposes, the

user manual, product labels and other relevant documents and parts should be also given.

- Installation and repair procedures must always be performed by Authorised Service Agents. The manufacturer shall not be held responsible for damages arising from procedures carried out by unauthorised persons which may also void the warranty. Before installation, read the instructions carefully.
- Do not operate the product if it is defective or has any visible damage.
- Ensure that the product function knobs are switched off after every use.

Electrical safety

- If the product has a failure, it should not be operated unless it is repaired by an Authorised Service Agent. There is the risk of electric shock!
- Only connect the product to a grounded outlet/line with the voltage and protection as specified in the “Technical specifications”. Have the grounding installation made by a qualified electrician while using the product with or without a

transformer. Our company shall not be liable for any problems arising due to the product not being earthed in accordance with the local regulations.

- Never wash the product by spreading or pouring water onto it! There is the risk of electric shock!
- The product must be disconnected during installation, maintenance, cleaning and repairing procedures.
- If the power connection cable for the product is damaged, it must be replaced by the manufacturer, its service agent or similarly qualified persons in order to avoid a hazard.
- The appliance must be installed so that it can be completely disconnected from the mains supply. The separation must be provided by a switch built into the fixed electrical installation, according to construction regulations.
- Rear surface of the oven gets hot when it is in use. Make sure that the electrical connection does not contact the rear surface; otherwise, connections can get damaged.
- Do not trap the mains cable between the oven door and frame and do not route it over hot surfaces. Otherwise, cable

insulation may melt and cause fire as a result of short circuit.

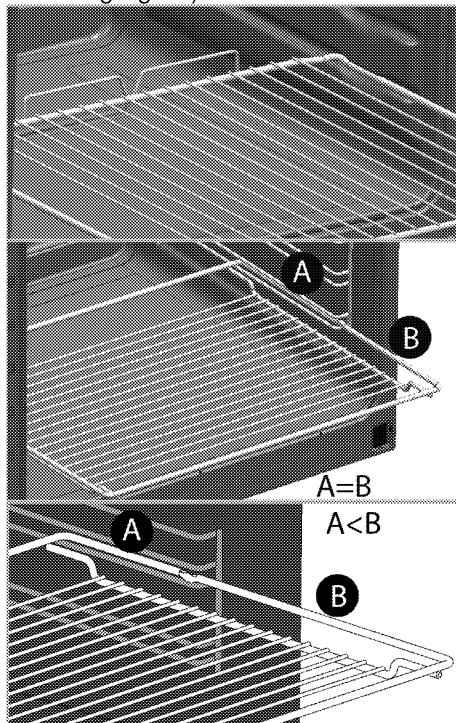
- Any work on electrical equipment and systems should only be carried out by authorised and qualified persons.
- In case of any damage, switch off the product and disconnect it from the mains. To do this, turn off the fuse at home.
- Make sure that fuse rating is compatible with the product.

Product safety

- **WARNING:** The appliance and its accessible parts become hot during use. Care should be taken to avoid touching heating elements. Children less than 8 years of age shall be kept away unless continuously supervised.
- Never use the product when your judgment or coordination is impaired by the use of alcohol and/or drugs.
- Be careful when using alcoholic drinks in your dishes. Alcohol evaporates at high temperatures and may cause fire since it can ignite when it comes into contact with hot surfaces.
- **Food Poisoning Hazard:** Do not let food sit in oven for more than 1 hour before or after cooking. Doing so can result in food poisoning or sickness.

- Do not place any flammable materials close to the product as the sides may become hot during use.
- During use the appliances becomes hot. Care should be taken to avoid touching heating elements inside the oven.
- Keep all ventilation slots clear of obstructions.
- Do not heat closed tins and glass jars in the oven. The pressure that would build-up in the tin/jar may cause it to burst.
- Do not place baking trays, dishes or aluminium foil directly onto the bottom of the oven. The heat accumulation might damage the bottom of the oven.
- Do not use harsh abrasive cleaners or sharp metal scrapers to clean the oven door glass since they can scratch the surface, which may result in shattering of the glass.
- Do not use steam cleaners to clean the appliance as this may cause an electric shock.
- (Varies depending on the product model.)
Placing the wire shelf and tray onto the wire racks properly
It is important to place the wire shelf and/or tray onto the rack properly. Slide the wire shelf or tray between 2 rails and make

sure that it is balanced before placing food on it (Please see the following figure).



- Do not use the product if the front door glass removed or cracked.
- Do not use the oven handle to hang towels for drying. Do not hang up towel, gloves, or similar textile products when the grill function is at open door.
- Always use heat resistant oven gloves when putting in or removing dishes into/from the hot oven.
- Place the baking paper into the cooking pot or on to the oven accessory (tray, wire grill etc) together with the food and then

insert all into the preheated oven. Remove the excess parts of the baking paper overflowing from the accessory or the pot in order to prevent the risk of touching the oven's heating elements. Never use the baking paper in an operating temperature higher than the indicated value for the baking paper. Do not place the baking paper directly on the base of the oven.

- **WARNING:** Ensure that power cord of the appliance is unplugged or circuit breaker is switched off before replacing the lamp to avoid the possibility of electric shock.
- The appliance must not be installed behind a decorative door in order to avoid overheating.

Prevention against possible fire risk!

- Ensure all electrical connections are secure and tight to prevent risk of arcing.
- Do not use damaged cables or extension cables.
- Ensure liquid or moisture is not accessible to the electrical connection point.

Intended use

- This product is designed for domestic use. Commercial use will void the guarantee.
- **CAUTION:** This appliance is for cooking purposes only. It must

not be used for other purposes, for example room heating.

- This product should not be used for warming the plates under the grill, drying towels, dish cloths etc. by hanging them on the oven door handles. This product should also not be used for room heating purposes.
- The manufacturer shall not be liable for any damage caused by improper use or handling errors.
- The oven can be used for defrosting, baking, roasting and grilling food.

Safety for children

- **WARNING:** Accessible parts may become hot during use. Young children should be kept away.
- The packaging materials will be dangerous for children. Keep the packaging materials away from children. Please dispose of all parts of the packaging according to environmental standards.
- Electrical products are dangerous to children. Keep children away from the product when it is operating and do not allow them to play with the product.
- Do not place any items above the appliance that children may reach for.
- When the door is open, do not load any heavy object on it and do not allow children to sit on it. It

may overturn or door hinges may get damaged.

Disposing of the old product

Compliance with the WEEE Directive and Disposing of the Waste Product:



This product complies with EU WEEE Directive (2012/19/EU). This product bears a classification symbol for waste electrical and electronic equipment (WEEE).

This product has been manufactured with high quality parts and materials which can be reused and are suitable for recycling. Do not dispose of the waste product with normal domestic and other wastes at the end of its service life. Take it to the collection center

for the recycling of electrical and electronic equipment. Please consult your local authorities to learn about these collection centers.

Compliance with RoHS Directive:

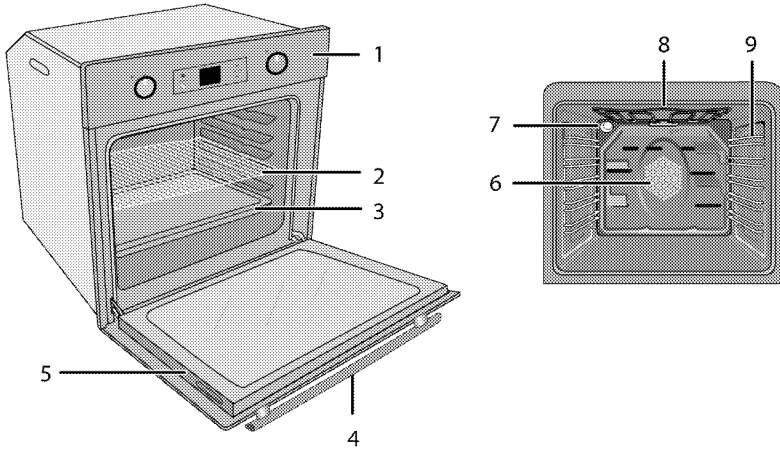
The product you have purchased complies with EU RoHS Directive (2011/65/EU). It does not contain harmful and prohibited materials specified in the Directive.

Package information

- Packaging materials of the product are manufactured from recyclable materials in accordance with our National Environment Regulations. Do not dispose of the packaging materials together with the domestic or other wastes. Take them to the packaging material collection points designated by the local authorities.

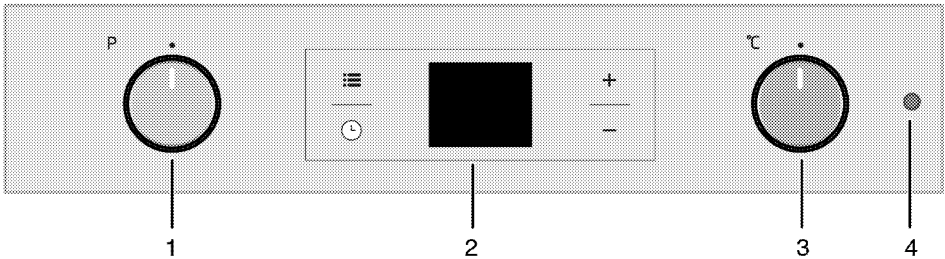
2 General information

Overview



- 1 Control panel
- 2 Wire shelf
- 3 Tray
- 4 Handle
- 5 Door

- 6 Fan motor (behind steel plate)
- 7 Lamp
- 8 Top heating element
- 9 Shelf positions



- 1 Function knob
- 2 Digital timer
- 3 Thermostat knob
- 4 Thermostat lamp

Package contents

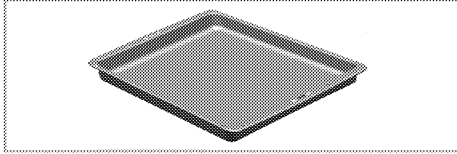


Accessories supplied can vary depending on the product model. Not every accessory described in the user manual may exist on your product.

1. **User manual**

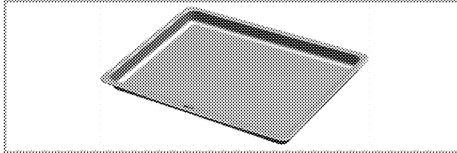
2. **Standard tray**

Used for pastries, frozen foods and big roasts.



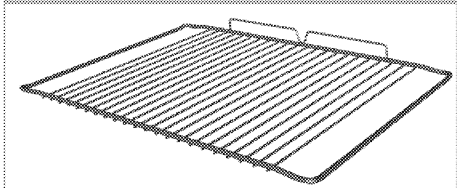
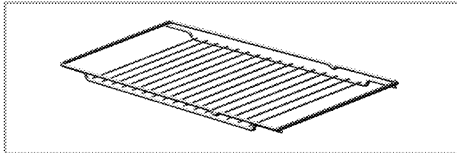
3. **Pastry tray**

Used for pastries such as cookies and biscuits.



4. **Wire grill**

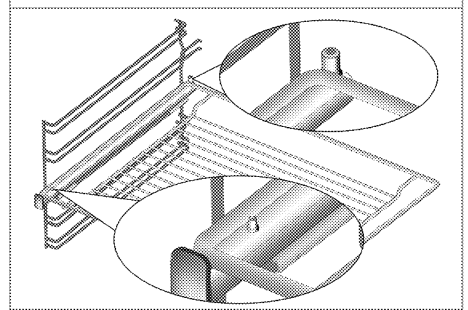
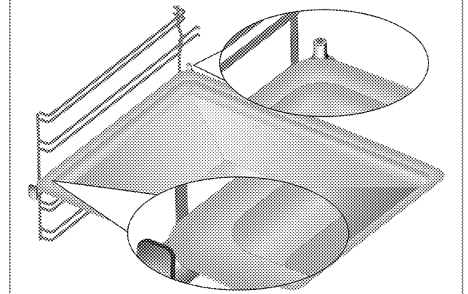
Used for roasting and for placing the food to be baked, roasted or cooked in casserole dishes to the desired rack.



5. **Placing the wire shelf and tray onto the telescopic racks properly**
(This feature is optional. It may not exist on your product.)

Telescopic racks allow you to install and remove the trays and wire shelf easily.

When using the tray and wire shelf with telescopic racks, make sure that the pins at the rear section of the telescopic rack stands against the edges of the wire shelf and tray.




Technical specifications


Voltage / frequency	220-240 V ~ 50/60 Hz
Total power consumption	2.5 kW
Cable type / section	min.H05W-FG 3 x 1,5 mm ²
External dimensions (height / width / depth)	595 mm/594 mm/567 mm
Installation dimensions (height / width / depth)	**590 or 600 mm/560 mm/min. 550 mm
Main oven	Multifunction oven
Inner lamp	15/25 W
Grill power consumption	2.2 kW


Basics: Information on the energy label of electrical ovens is given in accordance with the EN 60350-1 / IEC 60350-1 standard. Those values are determined under standard load with bottom-top heater or fan assisted heating (if any) functions.

Energy efficiency class is determined in accordance with the following prioritization depending on whether the relevant functions exist on the product or not. 1-Cooking with eco-fan, 2- Turbo slow cooking, 3- Turbo cooking, 4- Fan assisted bottom/top heating, 5-Top and bottom heating.

** See. *Installation, page 12.*

 Technical specifications may be changed without prior notice to improve the quality of the product.

 Figures in this manual are schematic and may not exactly match your product.

 Values stated on the product labels or in the documentation accompanying it are obtained in laboratory conditions in accordance with relevant standards. Depending on operational and environmental conditions of the product, these values may vary.

3 Installation

Product must be installed by a qualified person in accordance with the regulations in force. The manufacturer shall not be held responsible for damages arising from procedures carried out by unauthorized persons which may also void the warranty.



Preparation of location and electrical installation for the product is under customer's responsibility.



DANGER:

The product must be installed in accordance with all local electrical regulations.



DANGER:

Prior to installation, visually check if the product has any defects on it. If so, do not have it installed.

Damaged products cause risks for your safety.

Before installation

The appliances must not be installed behind a decorative door in order to avoid overheating. The appliance is intended for installation in commercially available kitchen cabinets. A safety

distance must be left between the appliance and the kitchen walls and furniture. See figure (values in mm).

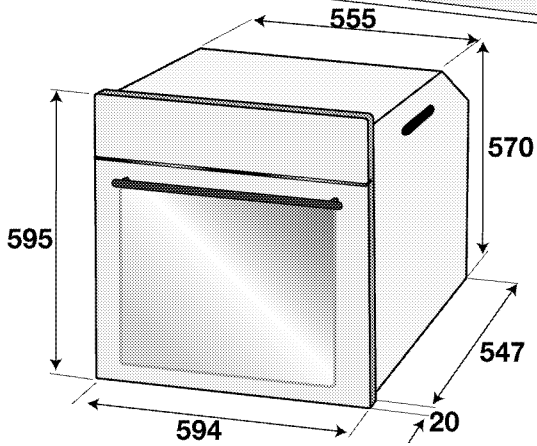
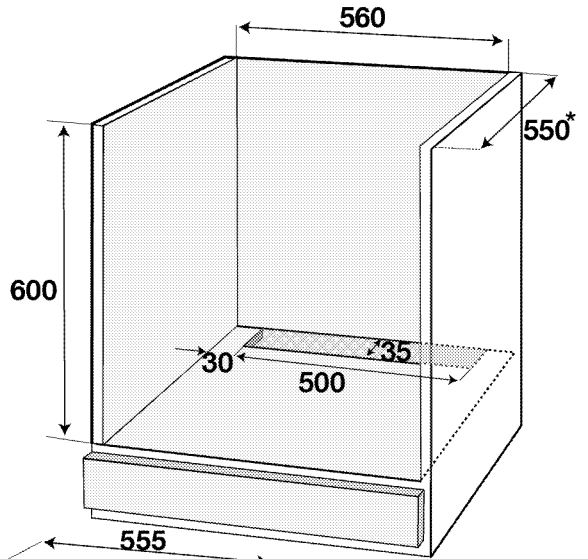
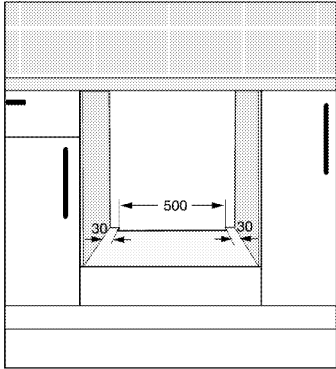
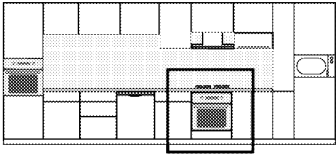
- Surfaces, synthetic laminates and adhesives used must be heat resistant (100 °C minimum).
- Kitchen cabinets must be set level and fixed.
- If there is a drawer beneath the oven, a shelf must be installed in order to separate from the oven and drawer.
- Carry the appliance with at least two persons.
- Hold the oven from the slots for handling on both sides to move it.
- Before installing the product, remove all materials and documents inside.
- Kitchen furniture must be in compliance with the dimensions given in the figure below. At the rear section of the kitchen furniture, an opening must be cut out with the dimensions given in the figure below to ensure sufficient ventilation.



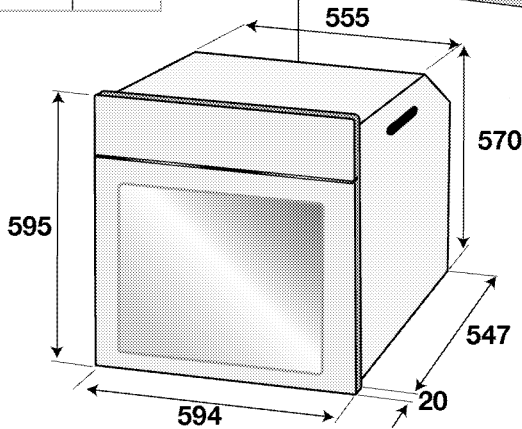
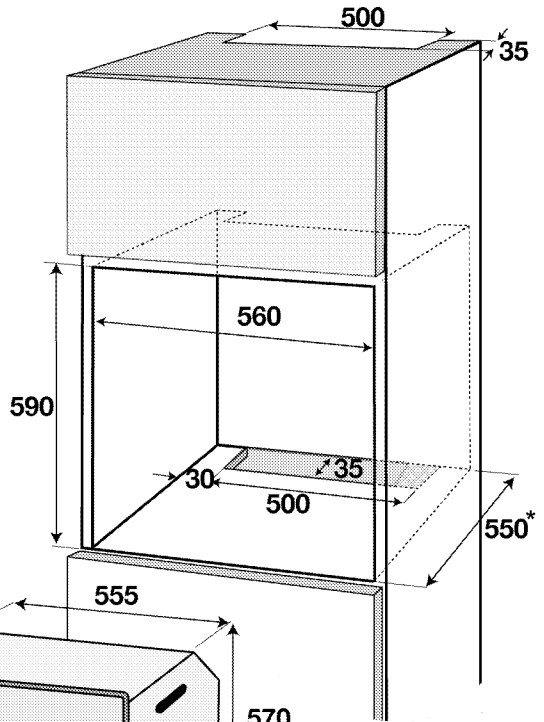
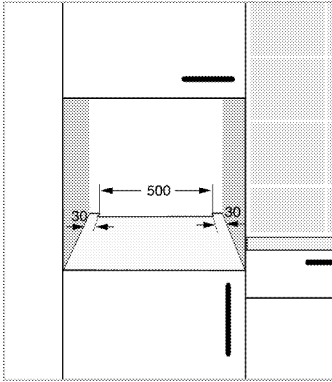
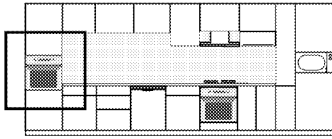
Do not install the appliance next to refrigerators or freezers. The heat emitted by the appliance will lead to an increased energy consumption of cooling appliances.



The door and/or handle must not be used for lifting or moving the appliance.



* min.



* min.

Installation and connection

- The product must be installed in accordance with all local gas and electrical regulations.

Electrical connection

Connect the product to a grounded outlet/line protected by a miniature circuit breaker of suitable capacity as stated in the "Technical specifications" table. Have the grounding installation made by a qualified electrician while using the product with or without a transformer. Our company shall not be liable for any damages that will arise due to using the

product without a grounding installation in accordance with the local regulations.



DANGER:

The product must be connected to the mains supply only by an authorised and qualified person. The product's warranty period starts only after correct installation.

Manufacturer shall not be held responsible for damages arising from procedures carried out by unauthorised persons.

**DANGER:**

The power cable must not be clamped, bent or trapped or come into contact with hot parts of the product.

A damaged power cable must be replaced by a qualified electrician. Otherwise, there is risk of electric shock, short circuit or fire!

- Connection must comply with national regulations.
- The mains supply data must correspond to the data specified on the type label of the product. Open the front door to see the type label.
- Power cable of your product must comply with the values in "Technical specifications" table.

**DANGER:**

Before starting any work on the electrical installation, disconnect the product from the mains supply.

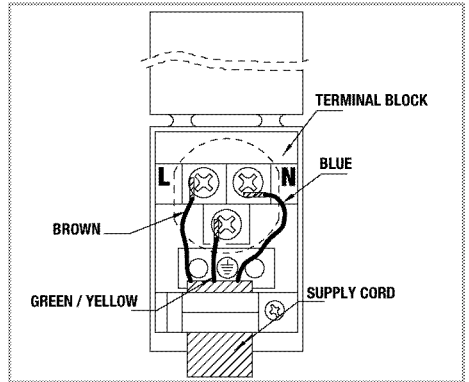
There is the risk of electric shock!

Connecting the power cable

While performing the wiring, you must apply with the national/local electrical regulations and must use the appropriate socket outlet/line and plug for oven. In case of the product's power limits are out of current carrying capability of plug and socket outlet/line, the product must be connected through fixed electrical installation directly without using plug and socket outlet/line.

1. If it is not possible to disconnect all poles in the supply power, a disconnection unit with at least 3 mm contact clearance (fuses, line safety switches, contactors) must be connected and all the poles of this disconnection unit must be adjacent to (not above) the product in accordance with IEE directives. Failure to obey this instruction may cause operational problems and invalidate the product warranty.

Additional protection by a residual current circuit breaker is recommended.

If a cable is supplied with the product:

2. **For single-phase connection**, connect the wires as identified below:

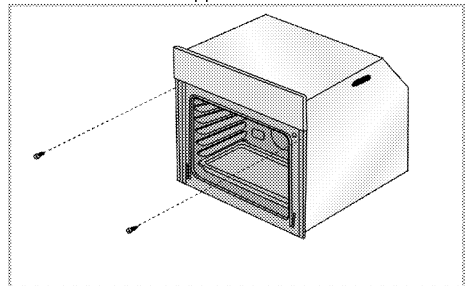
- Brown/Black cable = L (Phase)
- Blue/Grey cable = N (Neutral)
- Green/yellow cable = (E)

» or

- Grey/Black cable = L (Phase)
- Blue/Brown cable = N (Neutral)
- Green/yellow cable = (E)

Installing the product

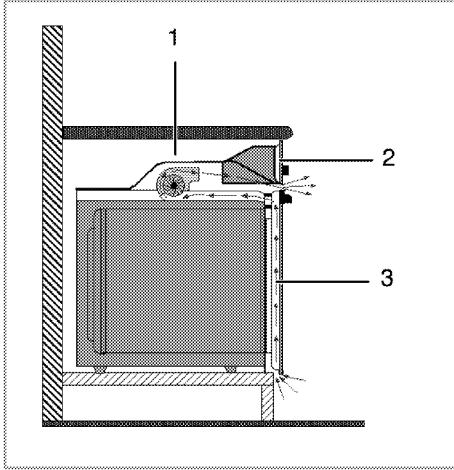
1. Slide the oven into the cabinet, align and secure it while making sure that the power cable is not broken and/or trapped.



Secure the oven with 2 screws as illustrated.

After the installation, make sure that the screws are sufficiently tightened and the oven does not move. Oven may tip over during use if it is not installed as per the instructions and if the screws are not sufficiently tightened.

For products with cooling fan (This may not exist on your product.)



- 1 Cooling fan
- 2 Control panel
- 3 Door

The built-in cooling fan cools both the built-in cabinet and the front of the product.



Cooling fan continues to operate for about 20-30 minutes after the oven is switched off.

If you have cooked by programming the timer of the oven, cooling fan will also be switched off at the end of the cooking time together with all functions.

Final check

1. Operate the product.
2. Check the functions.

Future Transportation

- Keep the product's original carton and transport the product in it. Follow the instructions on the carton. If you do not have the original carton, pack the product in bubble wrap or thick cardboard and tape it securely.
- To prevent the wire grill and tray inside the oven from damaging the oven door, place a strip of cardboard onto the inside of the oven door that lines up with the position of the trays. Tape the oven door to the side walls.
- Do not use the door or handle to lift or move the product.



Do not place any objects onto the product and move it in upright position.



Check the general appearance of your product for any damages that might have occurred during transportation.

4 Preparation

Tips for saving energy

The following information will help you to use your appliance in an ecological way, and to save energy:

- Use dark coloured or enamel coated cookware in the oven since the heat transmission will be better.
- While cooking your dishes, perform a preheating operation if it is advised in the user manual or cooking instructions.
- Do not open the door of the oven frequently during cooking.
- Try to cook more than one dish in the oven at the same time whenever possible. You can cook by placing two cooking vessels onto the wire shelf.
- Cook more than one dish one after another. The oven will already be hot.
- You can save energy by switching off your oven a few minutes before the end of the cooking time. Do not open the oven door.
- Defrost frozen dishes before cooking them.

Initial use


Time setting




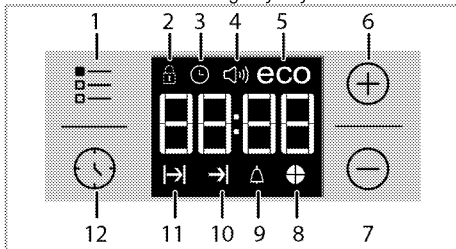
While making any adjustment, related symbols will flash on the display.

Press **+**/**-** keys to set the time of the day after the oven is energized for the first time.



For touch control models, touch  first and then use **+**/**-** to set the time of the day.


Confirm the setting by touching  symbol and wait for 4 seconds without touching any keys to confirm.



- 1 Adjustment key
- 2 Keylock symbol
- 3 Clock symbol
- 4 Alarm volume symbol (This may not exist on your product.)

- 5 Eco mode symbol
- 6 Plus key
- 7 Minus key
- 8 Time slice symbol
- 9 Alarm symbol
- 10 End of Cooking Time symbol
- 11 Cooking Time symbol
- 12 Program key



If the initial time is not set, clock will run starting from **12:00** and  symbol will be displayed. The symbol will disappear once the time is set.



Current time settings are canceled in case of power failure. It needs to be readjusted.

First cleaning of the appliance



The surface might get damaged by some detergents or cleaning materials.

Do not use aggressive detergents, cleaning powders/creams or any sharp objects during cleaning.

Do not use harsh abrasive cleaners or sharp metal scrapers to clean the oven door glass since they can scratch the surface, which may result in shattering of the glass.

1. Remove all packaging materials.
2. Wipe the surfaces of the appliance with a damp cloth or sponge and dry with a cloth.

Initial heating

Heat up the product for about 30 minutes and then switch it off. Thus, any production residues or layers will be burnt off and removed.



WARNING

Hot surfaces cause burns!

Product may be hot when it is in use. Never touch the hot burners, inner sections of the oven, heaters and etc. Keep children away. Always use heat resistant oven gloves when putting in or removing dishes into/from the hot oven.

Electric oven

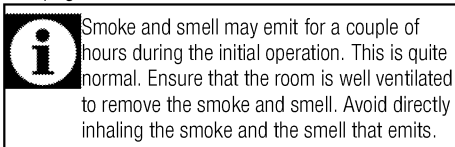
1. Take all baking trays and the wire grill out of the oven.
2. Close the oven door.
3. Select Static position.

4. Select the highest oven power; See *How to operate the electric oven, page 19*.
5. Operate the oven for about 30 minutes.
6. Turn off your oven; See *How to operate the electric oven, page 19*

Grill oven

1. Take all baking trays and the wire grill out of the oven.
2. Close the oven door.

3. Select the highest grill power; see *How to operate the grill, page 25*.
4. Operate the grill about 30 minutes.
5. Turn off your grill; see *How to operate the grill, page 25*



5 How to operate the oven

General information on baking, roasting and grilling



WARNING

Hot surfaces cause burns!
Product may be hot when it is in use. Never touch the hot burners, inner sections of the oven, heaters and etc. Keep children away. Always use heat resistant oven gloves when putting in or removing dishes into/from the hot oven.



DANGER:

Be careful when opening the oven door as steam may escape.
Exiting steam can scald your hands, face and/or eyes.

Tips for baking

- Use non-sticky coated appropriate metal plates or aluminum vessels or heat-resistant silicone moulds.
- Make best use of the space on the rack.
- Place the baking mould in the middle of the shelf.
- Select the correct rack position before turning the oven or grill on. Do not change the rack position when the oven is hot.
- Keep the oven door closed.

Tips for roasting

- Treating whole chicken, turkey and large piece of meat with dressings such as lemon juice and black pepper before cooking will increase the cooking performance.
- It takes about 15 to 30 minutes longer to roast meat with bones when compared to roasting the same size of meat without bones.
- Each centimeter of meat thickness requires approximately 4 to 5 minutes of cooking time.
- Let meat rest in the oven for about 10 minutes after the cooking time is over. The juice is better distributed all over the roast and does not run out when the meat is cut.
- Fish should be placed on the middle or lower rack in a heat-resistant plate.

Tips for grilling

When meat, fish and poultry are grilled, they quickly get brown, have a nice crust and do not get dry. Flat pieces, meat skewers and sausages are particularly suited for grilling as are vegetables with high water content such as tomatoes and onions.

- Distribute the pieces to be grilled on the wire shelf or in the baking tray with wire shelf in such a way that the space covered does not exceed the size of the heater.
- Slide the wire shelf or baking tray with grill into the desired level in the oven. If you are grilling on the wire shelf, slide the baking tray to the lower rack to collect fats. The baking tray to be slid must be of a size that covers the whole grilling area. This tray might not be provided with the product. Add some water in the baking tray for easy cleaning.



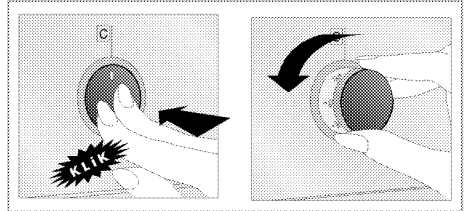
Foods that are not suitable for grilling carry the risk of fire. Only grill food which is suitable for intensive grilling heat.

Do not place the food too far in the back of the grill. This is the hottest area and fatty food may catch fire.

How to operate the electric oven

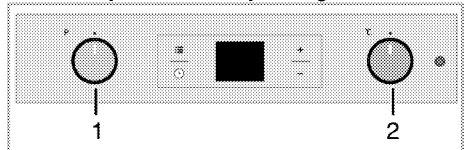
Your oven is equipped with pop-out knobs that protrude when you press them.

1. Press inwards to protrude the knob and then turn it to make the desired setting.



2. When the cooking process is finished, press the knob inwards.

Select temperature and operating mode



1. Function knob
 2. Thermostat knob
1. Set the Function knob to the desired operating mode.
 2. Set the Temperature knob to the desired temperature.

» Oven heats up to the adjusted temperature and maintains it. During heating, temperature lamp stays on.

Switching off the electric oven

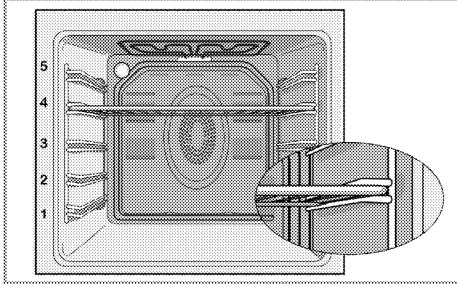
Turn the function knob and temperature knob to off (upper) position.

Rack positions (For models with wire shelf)

It is important to place the wire shelf onto the side rack correctly. Wire shelf must be inserted between the side racks as illustrated in the figure.

Do not let the wire shelf stand against the rear wall of the oven. Slide your wire shelf to the front section of the rack and settle it with the help of the door in order to obtain a good grill performance.

(Varies depending on the product model.)



Operating modes

The order of operating modes shown here may be different from the arrangement on your product.

Top and bottom heating



Top and bottom heating are in operation. Food is heated simultaneously from the top and bottom. For example, it is suitable for cakes, pastries, or cakes and casseroles in baking moulds. Cook with one tray only.

Bottom heating



Only bottom heating is in operation. It is suitable for pizza and for subsequent browning of food from the bottom.



This function must be used for easy steam cleaning as well.

Fan supported bottom/top heating



Top heating, bottom heating plus fan (in the rear wall) are in operation. Hot air is evenly distributed throughout the oven rapidly by means of the fan. Cook with one tray only.

Operating with fan



The oven is not heated. Only the fan (in the rear wall) is in operation. Suitable for thawing frozen granular food slowly at room temperature and cooling down the cooked food.

Fan Heating



Warm air heated by the rear heater is evenly distributed throughout the oven rapidly by means of the fan.



It is suitable for cooking your meals in different rack levels and preheating is not required in most cases. Suitable for cooking with multi trays.



This function must be used for easy steam cleaning as well.

"3D" function



Top heating, bottom heating and fan assisted heating (in the rear wall) are in operation. Food is cooked evenly and quickly all around. Cook with one tray only.

Full grill



Large grill at the ceiling of the oven is in operation. It is suitable for grilling large amount of meat.

- Put big or medium-sized portions in correct rack position under the grill heater for grilling.
- Set the temperature to maximum level.
- Turn the food after half of the grilling time.

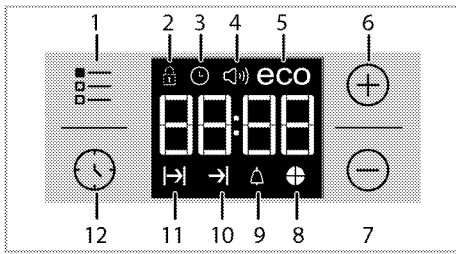
Grill+Fan







Grilling effect is not as strong as in Full Grill

- Put small or medium-sized portions in correct shelf position under the grill heater for grilling.
- Set the desired temperature.
- Turn the food after half of the grilling time.

Using the oven clock

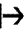

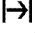


- 1 Adjustment key
- 2 Keylock symbol
- 3 Clock symbol
- 4 Alarm volume symbol (This may not exist on your product.)
- 5 Eco mode symbol
- 6 Plus key
- 7 Minus key
- 8 Time slice symbol
- 9 Alarm symbol
- 10 End of Cooking Time symbol
- 11 Cooking Time symbol
- 12 Program key

	Maximum time that can be set for end of cooking is 5 hours 59 minutes. Program will be cancelled in case of power failure. You must reprogram the oven.
	While making any setting, related symbols will flash on the display. You must wait for a short time for the settings to take effect.
	If no cooking setting is made, time of the day cannot be set.
	Remaining time will be displayed if cooking time is set when the cooking starts.

Cooking by setting the cooking time;

You can set the oven so that it will stop at the end of the specified time by setting the cooking time on the timer.



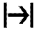


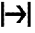

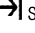
1. Select the function for cooking.
 2. Touch  until  symbol appears on display for cooking time.
 3. Set the cooking time with **+** / **-** keys.
- » » After the cooking time is set,  symbol and the time slice will appear on display continuously.

4. Place the dish into the oven and set the temperature with temperature knob. Cooking will start.

» Cooking time starts to count down on display when cooking starts and all parts of time slice symbol is lit. The set cooking time is divided into 4 equal parts and when the time of each parts ends, the symbol of that parts turns off. So you can understand the ratio of remaining cooking time to total cooking time easily.

Setting the end of cooking time to a later time;

After setting the cooking time on the timer, you can set the end of cooking time to a later time.

1. Select the function for cooking.
 2. Touch  until  symbol appears on display for cooking time.
 3. Set the cooking time with **+** / **-** keys.
- » » Once the Cooking Time is set,  symbol will appear on display continuously.
4. Touch  until  symbol appears on display for the end of cooking time.
 5. Press **+** / **-** keys to set the end of cooking time.
- » After the cooking time is set,  symbol plus  symbol and the time slice will appear on display continuously. Once the cooking starts,  symbol disappears.
6. Place the dish into the oven and set the temperature with temperature knob. Cooking will start.

» **Oven timer calculates the startup time by deducting the cooking time from the end of cooking time you have set.** Selected operating mode is activated when the startup time of cooking has come and the oven is heated up to the set temperature. It maintains this temperature until the end of cooking time.

» Cooking time starts to count down on display when cooking starts and all parts of time slice symbol is lit. The set cooking time is divided into 4 equal parts and when the time of each parts ends, the symbol of that parts turns off. So you can understand the ratio of remaining cooking time to total cooking time easily.

7. After the cooking process is completed, "End" appears on the displayed and the timer gives an audio warning.
8. Audio warning sounds for 2 minutes. To stop the audio warning, just press any key. Audio warning will be silenced and current time will be displayed.



If you press any key at the end of the audio warning, the oven will restart operating. Turn the temperature knob and function knob to "0" (off) position to switch off the oven in order to prevent re-operation of the oven at the end of warning.

Activating the keylock

You can prevent digital timer from being intervened with by activating the key lock function.

1. Touch until symbol appears on display.
» "OFF" will appear on the display.
2. Press **+** to activate the key lock.
» Once the key lock is activated, "On" appears on the display and the symbol remains lit.



Digital timer keys are not functional when the key lock is activated. Key lock will not be cancelled in case of power failure.

To deactivate the keylock

1. Touch until symbol appears on display.
» "On" will appear on the display.
2. Disable the key lock by pressing the **-** key.
» "OFF" will be displayed once the keylock is deactivated.

Setting the alarm clock

You can use the timer of the product for any warning or reminder apart from the cooking program.

The alarm clock has no influence on the functions of the oven. It is only used as a warning. For example, this is useful when you want to turn food in the oven at a certain point of time. Timer will give an audio warning at the end of the set time.

1. Touch until symbol appears on display.



Maximum alarm time can be 23 hours and 59 minutes.

2. Set the alarm duration by using **+** / **-** keys.



Function keys for alarm tone, time of day, display brightness and temperature keys should be at 0 (OFF) position.

- » symbol will remain lit and the alarm time will appear on the display once the alarm time is set.
3. At the end of the alarm time, symbol starts flashing and the audio warning is heard.

Turning off the alarm

1. Audio warning sounds for 2 minutes. To stop the audio warning, just press any key.
» Audio warning will be silenced and current time will be displayed.

Cancelling the alarm;

1. Touch until symbol appears on display in order to cancel the alarm.
2. Press and hold **-** key until "00:00" is displayed.



Alarm time will be displayed. If the alarm time and cooking time are set concurrently, shortest time will be displayed.

Changing alarm tone

1. Touch until symbol appears on display.
2. Adjust the desired alarm tone with **+** / **-** keys.
3. The tone you have set will be activated in a short time.
» Selected alarm tone will appear as "b-01", "b-02" or "b-03" on the display.

Changing the time of the day

To change the time of the day you have previously set:

1. Touch until symbol appears on display.
2. Set the time of the day with **+** / **-** keys.
3. The time you have set will be activated in a short time.

Economy mode

You can save energy with economy mode while cooking by setting cooking time in the oven. This mode completes the cooking with the inner temperature of the oven by switching off the heaters before the end of cooking time.

Setting the economy mode

1. Touch symbol until **eco** symbol appears on display.
» "OFF" will appear on the display.
2. Enable economy mode by touching **+** key.
» Once the economy mode is activated, "On" appears on the display and the eco symbol remains lit.

Disabling economy mode

1. Touch symbol until **eco** symbol appears on display.
» "On" will appear on the display.
2. Disable economy mode by touching **-** key.
» "Off" will be displayed once the eco mode is deactivated.

Setting the screen brightness

(This feature is optional. It may not exist on your product.)

1. Touch until d-01 or d-02 or d-03 appears on display for display brightness.
2. Set the desired brightness with **+** / **-** keys.
» The time you have set will be activated in a short time.

Cooking times table








The timings in this chart are meant as a guide. Timings may vary due to temperature of food, thickness, type and your own preference of cooking.

Baking and roasting



1st rack of the oven is the **bottom** rack.















Dish	Cooking level number	Accessory to use	Operating mode	Rack position	Temperature (°C)	Cooking time (approx. in min.)
Cakes in tray	One level	Standard tray*		3	180	25 ... 30
Cakes in mould	One level	Cake mold on wire grill**		2	180	40 ... 50
Small cakes	One level	Standard tray*		3	160	25 ... 35
	One level	Standard tray*		3	150	30 ... 40
	2 levels	1-Pastry tray* 3-Standard tray*		1 - 3	150	35 ... 50
	3 levels	1-Standard tray* 3-Pastry tray* 5-Deep tray*		1 - 3 - 5	150	35 ... 50
Sponge cake	One level	Round springform pan with a diameter of 26 cm on wire grill**		3	160	25 ... 35
	One level	Round springform pan with a diameter of 26 cm on wire grill**		2	150	30 ... 40
	2 levels	1-Round springform pan with a diameter of 26 cm on wire grill** 4-Round springform pan with a diameter of 26 cm on pastry tray**		1 - 4	150	35 ... 45
	One level	Pastry tray*		3	180	25 ... 30
Cookies	2 levels	1-Pastry tray* 3-Standard tray*		1 - 3	180	30 ... 40
	3 levels	1-Pastry tray* 3-Standard tray* 5-Deep tray*		1 - 3 - 5	180	35 ... 45
Dough pastry	One level	Standard tray*		2	200	30 ... 40
	2 levels	1-Pastry tray* 5-Standard tray*		1 - 5	200	45 ... 55
	3 levels	1-Pastry tray* 3-Standard tray* 5-Deep tray*		1 - 3 - 5	200	55 ... 65
Rich pastry	One level	Standard tray*		2	200	25 ... 35
	2 levels	1-Pastry tray* 3-Standard tray*		1 - 3	200	35 ... 45
	3 levels	1-Pastry tray* 3-Standard tray* 5-Deep tray*		1 - 3 - 5	190	45 ... 55
Leaven	One level	Standard tray*		2	200	35 ... 45
Lasagna	One level	Glass/metal rectangular pan on wire grill**		2 - 3	200	30 ... 40
Pizza	One level	Standard tray*		2	200 ... 220	15 ... 20
Beef steak (whole) / Roast	One level	Standard tray*		3	25 min. 250/max, then 180 ... 190	100 ... 120
	One level	Standard tray*		3	25 min. 250/max, then 190	70 ... 90
Leg of Lamb (casseroles)	One level	Standard tray*		3	25 min. 250/max, then 190	60 ... 80
	One level	Standard tray*		2	15 min. 250/max, then	60 ... 80

kg)					180 ... 190	
	One level	Standard tray*		2	15 min. 250/max, then 180 ... 190	60 ... 80
Turkey (5.5 kg)	One level	Standard tray*		1	25 min. 250/max, then 180 ... 190	150 ... 210
	One level	Standard tray*		1	25 min. 250/max, then 180 ... 190	150 ... 210
Fish	One level	Standard tray*		3	200	20 ... 30
	One level	Standard tray*		3	200	20 ... 30

It is suggested to perform preheating for all foods.
* These accessories may not be supplied with the product.
** These accessories are not supplied with the product. They are commercially available accessories.

Cooking table for test meals

Meals in this cooking table are prepared according to EN 60350-1 to make it easier for control institutes to test the product

Dish	Cooking level number	Accessory to use	Operating mode	Rack position	Temperature (°C)	Cooking time (approx. in min.)
Shortbread	One level	Standard tray*		3	140	20 ... 30
	One level	Standard tray*		3	140	20 ... 30
	2 levels	1-Standard tray* 3-Pastry tray*		1 - 3	140	20 ... 30
Small cakes	3 levels	1-Standard tray* 3-Pastry tray* 5-Deep tray*		1 - 3 - 5	140	25 ... 35
	One level	Standard tray*		3	160	25 ... 35
	One level	Standard tray*		3	150	30 ... 40
Sponge cake	2 levels	1-Pastry tray* 3-Standard tray*		1 - 3	150	35 ... 50
	3 levels	1-Standard tray* 3-Pastry tray* 5-Deep tray*		1 - 3 - 5	150	35 ... 50
	One level	Round springform pan with a diameter of 26 cm on wire grill**		3	160	25 ... 35
Apple pie	One level	Round springform pan with a diameter of 26 cm on wire grill**		2	150	30 ... 40
	2 levels	1-Round springform pan with a diameter of 26 cm on wire grill** 4-Round springform pan with a diameter of 26 cm on pastry tray**		1 - 4	150	35 ... 45
	One level	Round black metal dish with a diameter of 20 cm on wire grill**		2	180	50 ... 60
	One level	Round black metal dish with a diameter of 20 cm on wire grill**		2	170	50 ... 60
	2 levels	1-Round black metal dish with a diameter of 20 cm on wire grill** 4-Round black metal dish with a diameter of 20 cm on pastry tray**		1 - 4	170	50 ... 60

It is suggested to perform preheating for all foods.
* These accessories may not be supplied with the product.
** These accessories are not supplied with the product. They are commercially available accessories.

Tips for baking cake

- If the cake is too dry, increase the temperature by 10°C and decrease the cooking time.
- If the cake is wet, use less liquid or lower the temperature by 10°C.
- If the cake is too dark on top, place it on a lower rack, lower the temperature and increase the cooking time.
- If cooked well on the inside but sticky on the outside use less liquid, lower the temperature and increase the cooking time.

Tips for baking pastry

- If the pastry is too dry, increase the temperature by 10°C and decrease the cooking time. Dampen the layers of dough with a sauce composed of milk, oil, egg and yoghurt.
- If the pastry takes too long to bake, pay care that the thickness of the pastry you have prepared does not exceed the depth of the tray.
- If the upper side of the pastry gets browned, but the lower part is not cooked, make sure that the amount of sauce you have used for the pastry is not too much at the bottom of the pastry. Try to scatter the sauce equally between the dough layers and on the top of pastry for an even browning.



Cook the pastry in accordance with the mode and temperature given in the cooking table. If the bottom part is still not browned enough, place it on one lower rack next time.

Tips for cooking vegetables

- If the vegetable dish runs out of juice and gets too dry, cook it in a pan with a lid instead of a tray. Closed vessels will preserve the juice of the dish.
- If a vegetable dish does not get cooked, boil the vegetables beforehand or prepare them like canned food and put in the oven.

How to operate the grill



WARNING

Close oven door during grilling.
Hot surfaces may cause burns!

Switching on the grill

1. Turn the Function knob to the desired grill symbol.
2. Then, select the desired grilling temperature.
3. If required, perform a preheating of about 5 minutes.

» Temperature light turns on.

Switching off the grill

1. Turn the Function knob to Off (top) position.



Foods that are not suitable for grilling carry the risk of fire. Only grill food which is suitable for intensive grilling heat.

Do not place the food too far in the back of the grill. This is the hottest area and fatty food may catch fire.

Cooking times table for grilling

Grilling with electric grill

Food	Accessory to use	Rack position	Recommended temperature (°C)**	Cooking time (approx. in min.)
Fish	Wire grill	4..5	250/max	20..25 min. #
Sliced chicken	Wire grill	4..5	250/max	25..35 min.
Lamb chops	Wire grill	4..5	250/max	20..25 min.
Roast beef	Wire grill	4..5	250/max	25..30 min. #
Veal chops	Wire grill	4..5	250/max	25..30 min. #
Toast bread*	Wire grill	4	250/max	1..3 min.

#depending on thickness

*Preheat for 5 minutes

**If the grill temperature of your product cannot be adjusted, the grill will work at the maximum temperature.

Meals in this cooking table are prepared according to EN 60350-1 to make it easier for control institutes to test the product

Food	Accessory to use	Rack position	Temperature (°C)	Cooking time (approx. in min.)
Toast bread	Wire grill	4	250/max	1...3 min.
Meatballs (beef) - 12 pieces	Wire grill	4	250/max	25..35 min.

Turn the food after 2/3 of the total grilling time.

It is suggested to perform 5-6 minutes preheating for all foods broiling.

6 Maintenance and care

General information

Service life of the product will extend and the possibility of problems will decrease if the product is cleaned at regular intervals.



DANGER:

Disconnect the product from mains supply before starting maintenance and cleaning works.

There is the risk of electric shock!



DANGER:

Allow the product to cool down before you clean it.

Hot surfaces may cause burns!

- Clean the product thoroughly after each use. In this way it will be possible to remove cooking residues more easily, thus avoiding these from burning the next time the appliance is used.
- No special cleaning agents are required for cleaning the product. Use warm water with washing liquid, a soft cloth or sponge to clean the product and wipe it with a dry cloth.
- Always ensure any excess liquid is thoroughly wiped off after cleaning and any spillage is immediately wiped dry.
- Do not use cleaning agents that contain acid or chloride to clean the stainless or inox surfaces and the handle. Use a soft cloth with a liquid detergent (not abrasive) to wipe those parts clean, paying attention to sweep in one direction.



The surface might get damaged by some detergents or cleaning materials.

Do not use aggressive detergents, cleaning powders/creams or any sharp objects during cleaning.

Do not use harsh abrasive cleaners or sharp metal scrapers to clean the oven door glass since they can scratch the surface, which may result in shattering of the glass.



Do not use steam cleaners to clean the appliance as this may cause an electric shock.

Cleaning the control panel

Clean the control panel and knobs with a damp cloth and wipe them dry.



If your product is equipped with buttons/knobs do not remove the control buttons/knobs to clean the control panel.

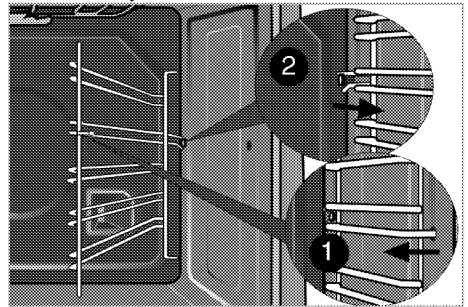
Control panel may get damaged!

Cleaning the oven

To clean the side wall (Varies depending on the product model.)

(This feature is optional. It may not exist on your product.)

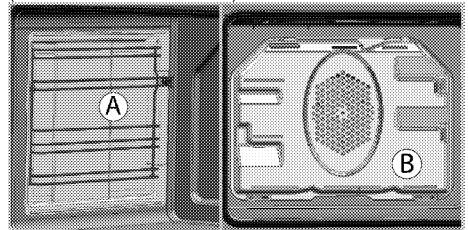
1. Remove the front section of the side rack by pulling it in the opposite direction of the side wall.
2. Remove the side rack completely by pulling it towards you.



Catalytic walls

(This feature is optional. It may not exist on your product.)

The inner side walls (A) and/or the rear wall (B) of your product may be coated with catalytic enamel. Catalytic walls have a light matte colour and a porous surface. Catalytic walls of the oven should not be cleaned. Porous surfaces of the catalytic walls are automatically cleaned by absorbing and converting the spilled oil (steam and carbon dioxide).

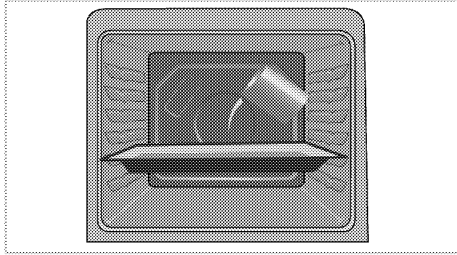


Easy Steam Cleaning

It ensures easy cleaning because the dirt (having waited not for too long) is softened with the steam that forms inside the oven and the water drops condensing on the inner surfaces of the oven.

1. Remove all accessories inside the oven.

- Pour 500 ml of water into the oven tray and place the tray at the 2nd rack of the oven.



- Set the oven to easy steam cleaning mode and run at 100°C for 25 minutes.
- Open the door and wipe the inner surfaces of the oven with a damp sponge or cloth.
- Use warm water with washing liquid, a soft cloth or sponge to clean the persistent dirt and wipe it with a dry cloth.

i During the easy steam cleaning mode, water that is placed in the tray to soften lightly formed residues/dirt within the oven cavity will evaporate and condense in the oven cavity and inner glass of the oven door, therefore water may drip when the oven door is opened. Wipe away the condensation as soon as the oven door is opened.

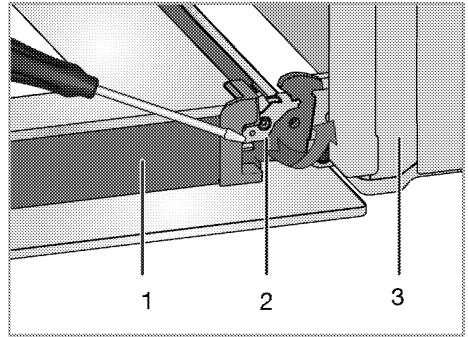
Clean oven door

To clean the oven door, use warm water with washing liquid, a soft cloth or sponge to clean the product and wipe it with a dry cloth.

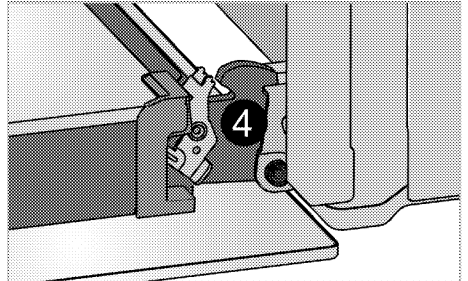
i Don't use any harsh abrasive cleaners or sharp metal scrapers for cleaning the oven door. They could scratch the surface and destroy the glass.

Removing the oven door

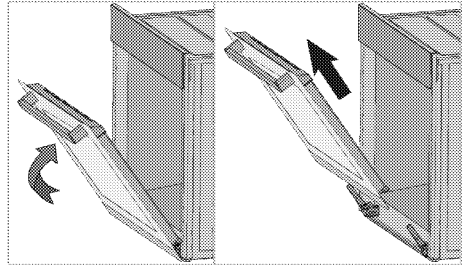
- Open the front door (1).
- Open the clips at the hinge housing (2) on the right and left hand sides of the front door by pressing them down as illustrated in the figure.



- Door
- Hinge lock(closed position)
- Oven
- Hinge lock(open position)



- Move the front door to half-way.



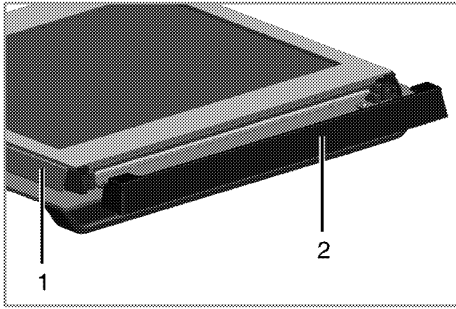
- Remove the front door by pulling it upwards to release it from the right and left hinges.

i Steps carried out during removing process should be performed in reverse order to install the door. Do not forget to close the clips at the hinge housing when reinstalling the door.

Removing the door inner glass

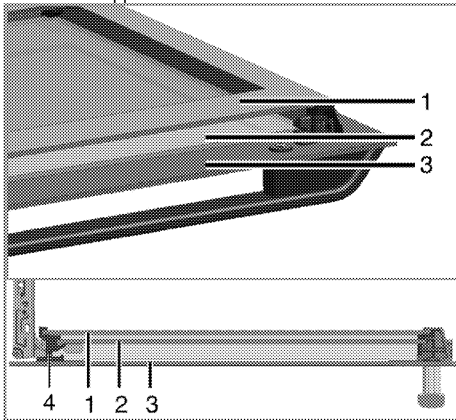
(This feature is optional. It may not exist on your product.)

The inner glass panel of the oven door can be removed for cleaning.
Open the oven door.



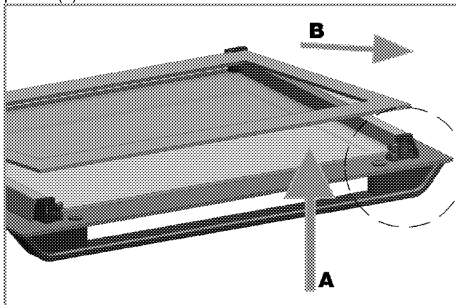
- 1 Frame
- 2 Plastic part

Pull towards yourself and remove the plastic part installed to upper section of the front door.



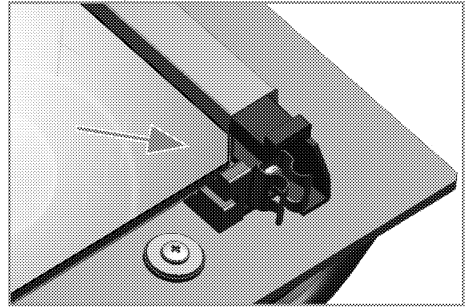
- 1 Innermost glass panel
- 2 Inner glass panel
- 3 Outer glass panel
- 4 Plastic glass panel slot-Lower

As illustrated in figure, raise the innermost glass panel (1) slightly in direction **A** and pull it out in direction **B**. Repeat the same procedure to remove the inner glass panel (2).



The first step to regroup the door is reinstalling inner glass panel (2).

As illustrated in figure, place the chamfered corner of the glass panel so that it will rest in the chamfered corner of the plastic slot.



Inner glass panel (2) must be installed into the plastic slot close the innermost glass panel (1).

When installing the innermost glass panel (1), make sure that the printed side of the panel faces towards the inner glass panel.

It is important to seat lower corner of inner glass panel into the lower plastic slot.

Push the plastic part towards the frame until you hear a "click".

Replacing the oven lamp



DANGER:

Before replacing the oven lamp, make sure that the product is disconnected from mains and cooled down in order to avoid the risk of an electrical shock. Hot surfaces may cause burns!



In this oven, an incandescent lamp with a power of less than 40 W, a height of less than 60 mm, a diameter of less than 30 mm or a halogen lamp with socket type G9, a power of less than 60 W is used. The lamps are suitable for operation at temperatures above 300 °C. Oven lamps can be obtained from Authorised Service Agents or technician with licence.



Position of lamp might vary from the figure.



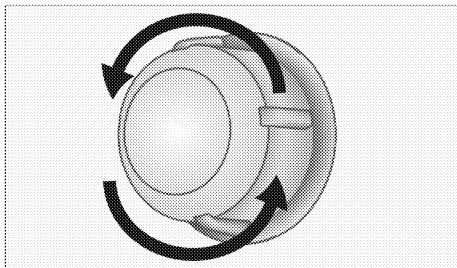
The lamp used in this appliance is not suitable for household room illumination. The intended purpose of this lamp is to assist the user to see foodstuffs.



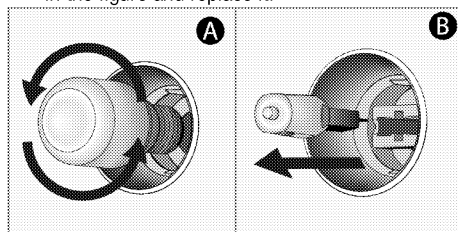
The lamps used in this appliance have to withstand extreme physical conditions such as temperatures above 50 °C.

If your oven is equipped with a round lamp:

1. Disconnect the product from mains.
2. Turn the glass cover counter clockwise to remove it.



3. If your oven lamp is of type (A) shown in the figure below, remove it by rotating as shown and replace it. If it is of type (B), pull and remove it as shown in the figure and replace it.



4. Install the glass cover.

7 Troubleshooting

Oven emits steam when it is in use.

- It is normal that steam escapes during operation. >>> *This is not a fault.*

Product emits metal noises while heating and cooling.

- When the metal parts are heated, they may expand and cause noise. >>> *This is not a fault.*

Product does not operate.

- The mains fuse is defective or has tripped. >>> *Check fuses in the fuse box. If necessary, replace or reset them.*
- Product is not plugged into the (grounded) socket. >>> *Check the plug connection.*

Oven light does not work.

- Oven lamp is defective. >>> *Replace oven lamp.*
- Power is not. >>> *Check if there is power. Check the fuses in the fuse box. If necessary, replace or reset the fuses.*

Oven does not heat.

- Might not be set to a certain cooking function and/or temperature. >>> *Set the oven to a certain cooking function and/or temperature.*
- In models equipped with a timer, the timer is not adjusted. >>> *Adjust the time.*
(In products with microwave oven, timer controls only microwave oven.)
- Power is cut. >>> *Check if there is power. Check the fuses in the fuse box. If necessary, replace or reset the fuses.*

(In models with timer) Clock display is blinking or clock symbol is on.

- A previous power outage has occurred. >>> *Adjust the time / Switch of the product and switch it on again.*

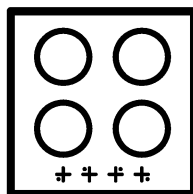
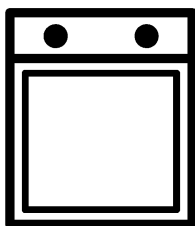


Consult the Authorised Service Agent or technician with licence or the dealer where you have purchased the product if you can not remedy the trouble although you have implemented the instructions in this section. Never attempt to repair a defective product yourself.



Рерна за вградување

Упатство за корисникот



МК

Прочитајте го ова упатство прво!

Почитуван потрошувачу,

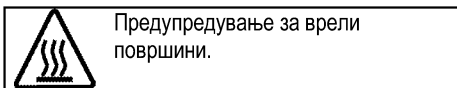
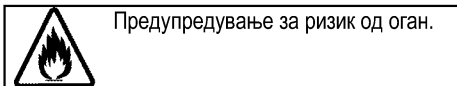
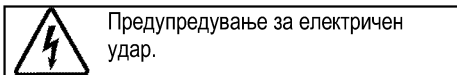
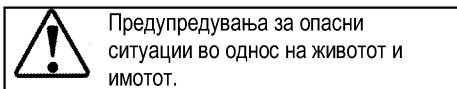
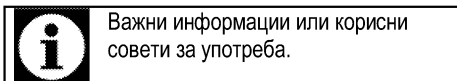
Ви благодариме што избравте производ на Веко. Се надеваме дека производот ќе ви служи најдобро за намената за која е произведен со висок квалитет и со врвна технологија. Затоа, внимателно прочитајте ги целото упатство за корисникот и сите други придружни документи пред да го користите производот и зачувајте го за идни осврти. Ако го давате производот на некој друг, дајте му го и упатството за употреба.

Следете ги сите предупредувања и информации во ова упатство за корисникот.

Запомнете дека ова упатство може да е исто и за неколку други модели. Разликите меѓу моделите ќе бидат посочени во упатството.

Објаснување на симболите

Следните симболи се употребени во ова упатство за употреба:



Arçelik A.Ş.
Karaağaç caddesi No:2-6
34445 Sütlüce/İstanbul/TURKEY
Made in TURKEY

1 Важни упатства и предупредувања за безбедноста и за животната средина **4**

Општа безбедност	4
Електрична безбедност.....	4
Безбедност на производот.....	6
Наменета употреба.....	8
Безбедност за децата	8
Фрлање на стариот производ	8
Фрлање на материјалот за пакување	9

2 Општи информации **10**

Преглед	10
Содржина на пакувањето.....	11
Технички спецификации.....	12

3 Инсталација **13**

Пред поставување	13
Поставување и поврзување	15
Фрлање на стариот производ	17

4 Подготовка **18**

Совети за штедење енергија	18
Првична употреба	18
Поставување на времето	18

Прво чистење на производот	18
Воведно загревање	18

5 Како се ракува со рерната **20**

Општи информации за печење, динстање и печење на грилот.....	20
Како се работи со електричната рерна	20
Работни режими	21
Употреба на часовникот на рерната	22
Табела со времиња за готвење.....	25
Како се работи со грилот.....	27
Табела со времиња на готвење за грил.....	28

6 Одржување и грижа **29**

Општи информации.....	29
Чистење на контролниот панел.....	29
Чистење на рерната	29
Вадење на вратата на рерната	30
Вадење на внатрешното стакло на вратата.....	31
Замена на светилката во рерната.....	32

7 Решавање проблеми **33**

1 Важни упатства и предупредувања за безбедноста и за животната средина

Ова поглавје содржи безбедносни упатства што ќе ви помогнат да се заштитите од ризик за лична повреда или оштетување на имотот. Непочитувањето на овие упатства ја поништува гаранцијата.

Општа безбедност

- Овој уред може да го користат деца што имаат барем 8 години и лица со намалена физичка, чувствителна или ментална способност или со недостаток на искуство или познавања само ако не се под надзор или ако им се дадат упатства за употреба на апаратот за да може да го користат на безбеден начин и само ако ги разбрале сите опасности.
Децата не смее да си играат со апаратот. Чистењето и одржувањето не смеат да го прават деца без надзор.
- Уредот не е наменет да го користат лица (вклучително и деца) со намалена физичка, сензорна или ментална способност или со недостаток на искуство или познавања, освен ако не се под надзор или ако им се дадат упатства.

Децата под надзор не смее да си играат со уредот.

- Доколку производот се дава на некој друг за лична употреба или за повторна употреба (на старо), тој се дава заедно со прирачникот за користење, ознаките на производот и другите релевантни документи и делови.
- Поставувањето и поправката мора да ги изведе овластен сервисер. Производителот нема да се смета за одговорен за оштетувања што се појавиле заради постапки што ги извеле неовластени лица и истото може да ја поништи гаранцијата. Внимателно прочитајте го упатството пред поставување.
- Не вклучувајте го производот ако е расипан или има видливо оштетување.
- Проверете дали регулаторите за функциите на производот се исклучени по секоја употреба.

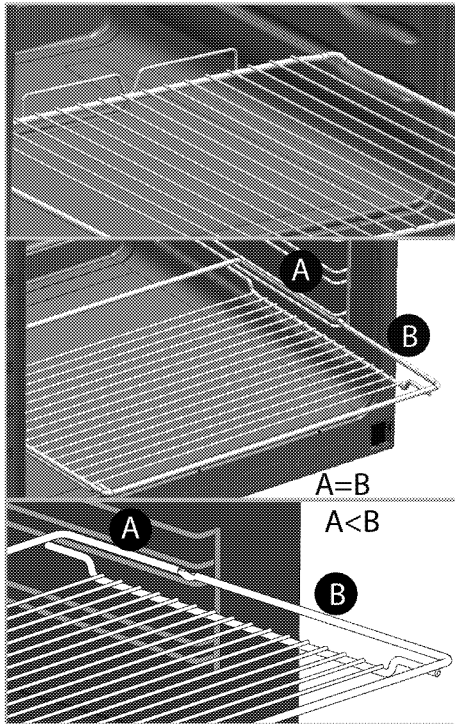
Електрична безбедност

- Ако производот има дефект, не треба да се вклучува освен ако не бил поправен во Овластен сервис. Постои ризик од струен удар!

- Поврзете го производот само за штекер/линија со заземјување со напон и заштита како што е наведено во „Технички спецификации“. Инсталацијата за заземјувањето треба да ја направи квалификуван електричар ако го користите производот со или без трансформатор. Нашата компанија нема да биде одговорна за какви било проблеми што ќе се случат заради тоа што производот не бил заземјен во согласност со локалните регулативи.
- Никогаш не мијте го производот со истурање или прскање вода по него! Постои ризик од струен удар!
- Производот мора да се исклучи од струја за време на поставување, одржување, чистење или поправка.
- Ако кабелот за напојување на производот е оштетен, мора да биде заменет од страна на производителот, овластениот сервисер или слично квалификувано лице за да се избегне опасност од секаков вид.
- Производот мора да се постави на начин којшто ќе овозможува комплетно исклучување со струја. Разделникот мора да постави кај главниот приклучок или како прекинувач вграден во фиксната електрична инсталација во согласност со регулативите за градба.
- Задната површина на рерната е врела кога се употребува. Проверете дали поврзувањето со струја не допира со задната површина. Во спротивно, поврзувањето може да се оштети.
- Не заглавувајте го кабелот за струја меѓу вратата на рерната и рамката и не превиткувајте го преку врелите површини. Во спротивно, изолацијата на кабелот ќе се стопи и ќе предизвика пожар како резултат на краток спој.
- Секоја работа на електричната опрема и на системите смее да ја изведува само овластено и квалификувано лице.
- Во случај на оштетување, исклучете ја рерната и исклучете ја од довод на ел. напојување. За да го направите ова, исклучете ги осигурувачите дома.
- Проверете дали номиналната вредност на осигурувачот е компатибилна со производот.

Безбедност на производот

- ПРЕДУПРЕДУВАЊЕ: Уредот и достапните делови стануваат врели во текот на употребата. Треба да внимавате децата да не ги допираат врелите елементи. Децата помали од 8 години треба да се држат настрана освен ако не сте под надзор.
- Не користете го производот кога резонирањето или координацијата се попречени од употреба на алкохол и/или лекаства.
- Внимавајте кога користите алкохолни пијалаци во јадењата. Алкохолот испарува на високи температури и може да предизвика оган бидејќи ќе се запали кога ќе дојде во контакт со врели површини.
- Проверете дали има запаливи материјали близу до производот бидејќи страните стануваат врели при употреба.
- Апаратот се сврелува кога се користи. Треба да внимавате децата да не ги допираат врелите елементи во рерната.
- Оставете ги сите отвори за вентилација слободни и без препреки.
- Не загревајте затворени конзерви и стаклени тегли во рерната. Може да се набие притисок во конзервата/теглата што предизвикува пукање.
- Не ставајте ги тавите за печење, садовите или алуминиумската фолија директно на дното на рерната. Акумулацијата на топлина може да го оштети дното на рерната.
- Не користете остри абразивни средства за чистење или остри метални сунѓери за чистење на стаклото од вратата на рерната бидејќи може да ја изгребат површината или да предизвикаат пукање на стаклото.
- Не користете чистачи на пареа за да го исчистите апаратот бидејќи тие може да предизвикаат електричен удар.
- (Варира зависно од моделот на производот.)
Правилно ставање на решетката и тавата на решеткастите полици
Важно е правилно да се стави решетката и / или тавата на решетката. Лизнете ги решетката или тавата меѓу 2 шини и проверете дали се рамни пред да ставите храна на нив (видете ја следната слика).



решетка и сл.) заедно со храната и потоа ставете сè заедно во веќе загреаната рерна. Отсечете го прекумерниот дел од хартијата за печење што излегува од додатокот или од садот за да го спречите ризикот таа да се допира со грејачите во рерната. Никогаш не користете хартија за печење при работни температури повисоки од посочената вредност на хартијата за печење. Не ставајте ја хартијата за печење директно на долната страна во рерната.

• ПРЕДУПРЕДУВАЊЕ:

Проверете дали кабелот на уредот е исклучен од струја или дали е исклучено струјното коло пред да ја замените сијаличката со цел да избегнете можност за електричен уред.

• Уредот не смее да се поставува позади декоративна врата за да се одбегне прегревање.

За да обезбедите апаратот да не предизвика пожар:

- Проверете дали приклучокот соодветствува со штекерот и не предизвикува искрење,
- Не користете оштетен, пресечен или продолжен кабел.

- Не користете го производот ако предната стаклена врата е извадена или напукната.
- Рачката на рерната не е сушара за крпи. Не закачувајте крпи, ракавици или слични производи од текстил кога функцијата за грил е вклучена со отворена врата.
- Секогаш користете ракавици за рерна што се отпорни за топлина кога ставате или вадите садови во / од врелата рерна.
- Ставете хартија за печење во садот за готвење или во додатокот за рерната (тава,

Користете го само оригиналниот кабел,

- Проверете дали има течност или влага во штекерот каде што е приклучен производот,

Наменета употреба

- Овој производ е наменет за домашна употреба. Не е дозволена комерцијална употреба.
- **ВНИМАНИЕ:** Овој апарат е наменет само за готвење. Не смее да се користи за други намени, на Пример за загревање на просторија.
- Овој производ не треба да се користи за затоплување на чинии под грилот, за сушење крпи и пешкири и сл. со бесење на рачките и за греење.
- Производителот нема да биде одговорен за каква било штета што ќе биде предизвикана од неправилна употреба или ракување.
- Рерната може да се користи за одмрзнување, печење тесто, печење месо или печење на грилот.

Безбедност за децата

- **ПРЕДУПРЕДУВАЊЕ:**
Достапните делови стануваат врели во текот на употребата. Децата треба да се држат настрана.

- Материјалите за пакување се опасни за децата. Држете ги материјалите за пакување настрана од децата. Фрлете ги сите делови на пакувањето во согласност со стандардите за животна средина.
- Електричните производите се опасни за децата. Држете ги децата подалеку од производот кога тој работи и не дозволувајте им да си играат со него.
- Не ставајте никакви предмети врз апаратот што може да ги дофатат децата.
- Кога вратата е отворена, не ставајте тешки предмети на неа и не дозволувајте децата да седат на неа. Може да се преврти или шарките на вратата може да се оштетат.

Фрлање на стариот производ

Усогласување со Директивата за фрлање на електронска и електрична опрема и за одлагање на отпадот:



Овој отпад е усогласен со Директивата на ЕУ за фрлање на електронска и електрична опрема (2012/19/EU). Овој производ го носи симболот за класификација на отпадот од електрична и електронска опрема (WEEE).

Овој производ е произведен со многу квалитетни делови и материјали коишто може да се користат одново и се соодветни за рециклирање. Не фрлајте го производот со нормалниот домашен отпад и со друг отпад кога веќе нема да го користите. Однесете го во собирен центар за рециклирање на електрична и електронска

опрема. Консултирајте се со овластените тела во општината за да дознаете каде има собирни центри.

Усогласување со Директивата за ограничување на опасните материи:

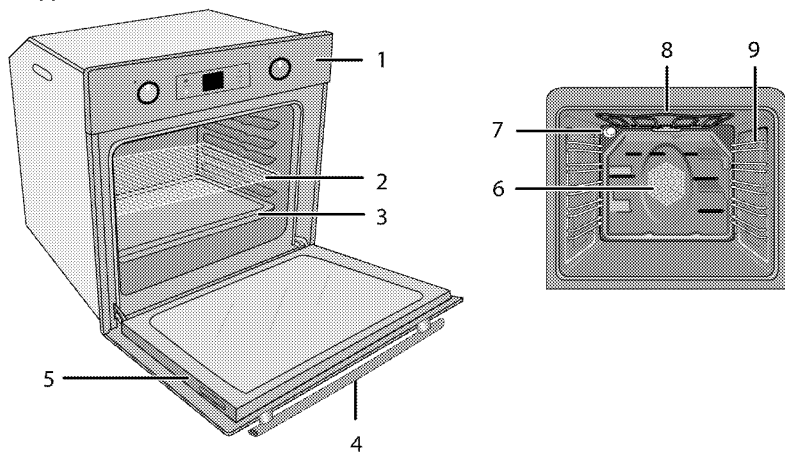
Производот што го купивте е усогласен со отпад е усогласен со Директивата за ограничување на опасните материи (2011/65/EU). Не содржи штетни и забранети материјали коишто се наведени во Директивата.

Фрлање на материјалот за пакување

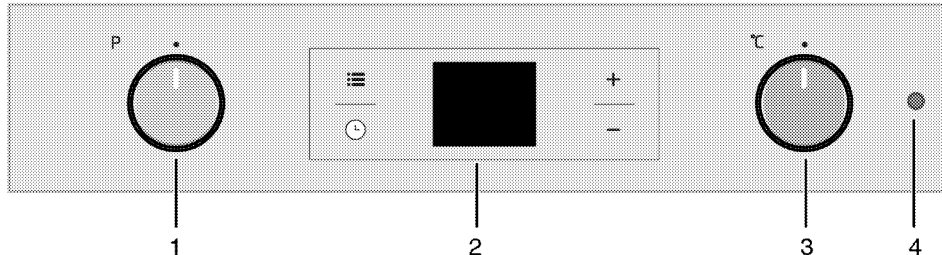
- Материјалот од пакувањето е опасен за децата. Чувајте го на безбедно место и подалеку од дофат на деца. Пакувањето на производот е произведен од рециклирачки материјал. Фрлете го правилно и сортирајте го во согласност со упатствата за рециклирање отпад. Не фрлајте го со домашниот отпад.

2 Општи информации

Преглед



- | | | | |
|---|-------------------|---|---|
| 1 | Контролен панел | 6 | Мотор за вентилаторот (зад челичната плоча) |
| 2 | Полица со решетки | 7 | Светилка |
| 3 | Тава | 8 | Елемент со горен грејач |
| 4 | Рачка | 9 | Позиции на полиците |
| 5 | Врата | | |



- | | |
|---|--------------------------|
| 1 | Регулатор со функции |
| 2 | Дигитален тајмер |
| 3 | Регулатор за термостатот |
| 4 | Светилка за термостатот |

Содржина на пакувањето



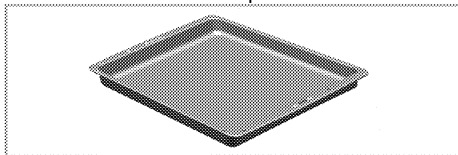
Доставената дополнителна опрема може да зависи од моделот на производот.

Целата дополнителна опрема што е опишана во упатството за употреба може да се доставува со производот.

1. Упатство за корисникот

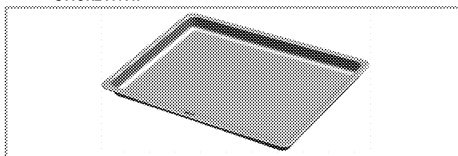
2. Стандардна тава

Користете ја за тесто, замрзната храна и печење на големи парчиња месо.



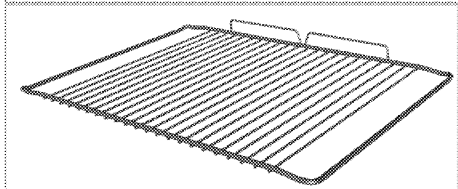
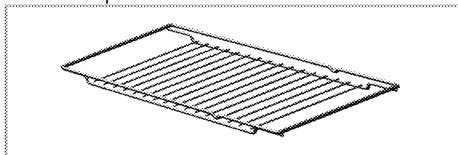
3. Тава за тесто

Користете ја за теста како што се колачи и бисквити.



4. Решетка за грил

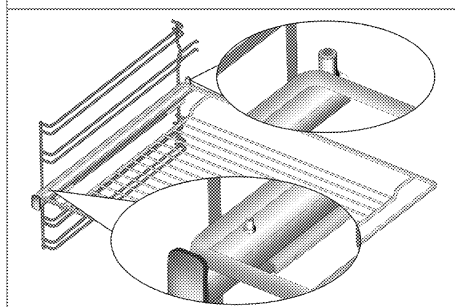
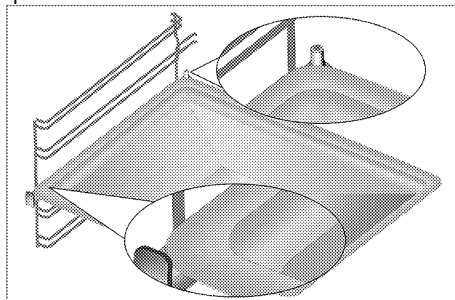
Користете ја за печење и за ставање храна да се пече или готви во тепсии на саканата полица.



5. Правилно ставање на решетката и тавата на телескопските полици (Оваа функција е опционална. Може да не е вклучена со вашиот производ.)

Телескопските решетки ви дозволуваат да ги поставувате и вадите тавите и решетката лесно.

Кога користите тава и решетка со телескопски решетки, проверете дали спојките на задниот дел на телескопската решетка стојат на рабовите на решетката за грилот и тавата.



Технички спецификации

Напон / фреквенција	220-240 V ~ 50/60 Hz
Вкупна потрошувачка на ел. енергија	2.5 kW
Вид кабел / секција	мин. H05VV-FG 3 x 1,5 мм. ²
Надворешни димензии (височина / широчина / длабочина)	595 мм./594 мм./567 мм.
Димензии за инсталација (височина / широчина / длабочина)	**590 или 600 мм./560 мм./мин. 550 мм.
Главна рерна	Повеќенаменска рерна
Внатрешна светилка	15/25 W
Потрошувачка на ел. енергија на грилот	2.2 kW

Основа: Информациите на табличката со енергетски вредности на електричните рерни се дадени во согласност со стандардот EN 60350-1 / IEC 60350-1. Тие вредности се одредени според примената на стандардот со горни и долни грејачи или функции за загревање потпомогнато со вентилатор (ако има).

Енергетската класа за ефикасност е одредена во согласност со следниот приоритет во зависност од тоа дали релевантните функции постојат кај производот или не. 1-Готвење со еко-вентилатор, 2- Турбо бавно готвење, 3- Турбо готвење, 4- Горно /долно загревање потпомогнато со вентилатор, 5-Горно и долно загревање.

** Видете *Инсталација, страница 13.*



Техничките спецификации може да се менуваат без претходно известување со цел да се подобри квалитетот на производот.



Сликите во ова упатство се шематски и можеби нема да соодветствуваат со вашиот производ.



Вредностите што се дадени на табличките на производите или во придружната документација се добиени во лабораториски услови во согласност со соодветните стандарди. Овие вредности може да варираат во зависност од работните и средишните услови за производот.

3 Инсталација

Производот мора да го инсталира квалификувано лице во согласност во регулативите за ел.

Производителот нема да се смета за одговорен за оштетувања што се појавиле заради постапки што ги извеле неовластени лица.



Производот мора да го постави квалификувано лице во согласност со важечките регулативи. Во спротивно, гаранцијата ќе се поништи. Подготовката на локацијата и електричната инсталација за производот е одговорност на потрошувачот.



ОПАСНОСТ:

Производот мора да се постави во согласност со локалните закони за плин и напојување со ел. енергија.



ОПАСНОСТ:

Пред поставување, проверете го производот визуелно за да видите дали има оштетувања. Ако има, не поставувајте го. Оштетените производи предизвикуваат безбедносен ризик.

Пред поставување

Апаратот е наменет за поставување во комерцијално достапни кујнски елементи. Безбедносно растојание мора да се остави меѓу

апаратот и сидовите и елементите во кујната.

Погледнете ја сликата (вредности во мм.).

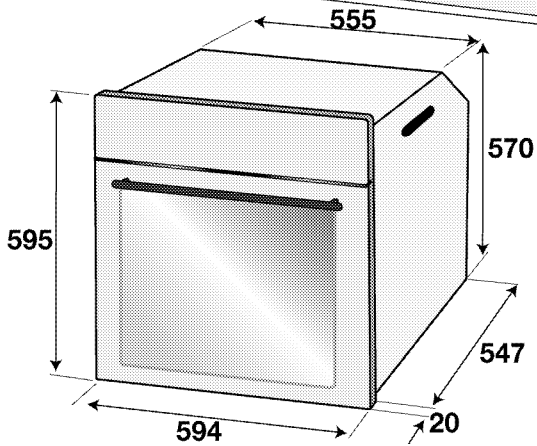
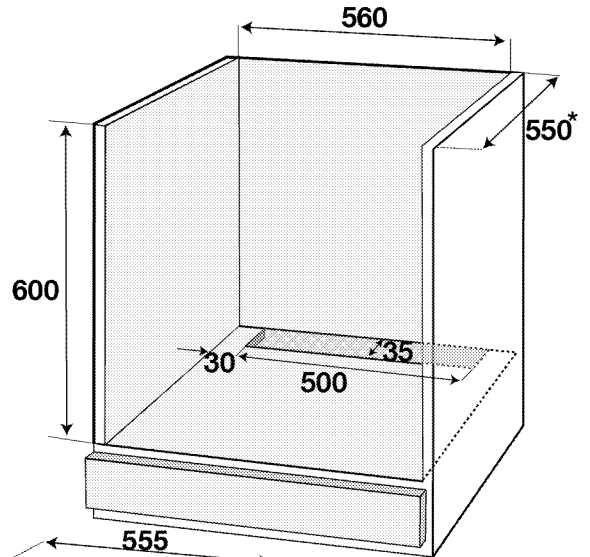
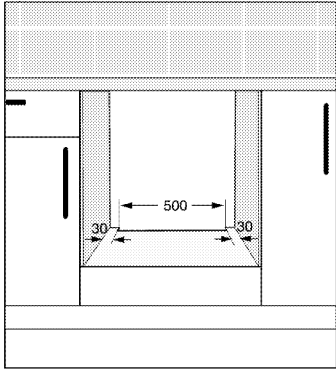
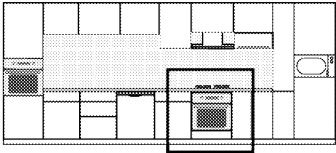
- Површините, синтетичките ламинати и плочките мора да бидат отпорни на топлина (минимум 100 °C).
- Кујнските елементи мора да се поставени рамно и фиксирани.
- Ако има фиока под рерната, мора да се постави полица меѓу рерната и фиоката.
- Носете го апаратот со уште барем две лица.
- Држете ја рерната од отворите за ракување на двете страни за да ја поместите.
- Пред да го инсталирате производот, отстранете ги сите материјали и документи однатре.
- Кујнскиот мебел мора да биде во согласност со димензиите дадени на сликата подолу. На задниот дел од кујнскиот мебел, мора да биде отсечен отвор со димензиите дадени на сликата подолу за да се овозможи доволна вентилација.



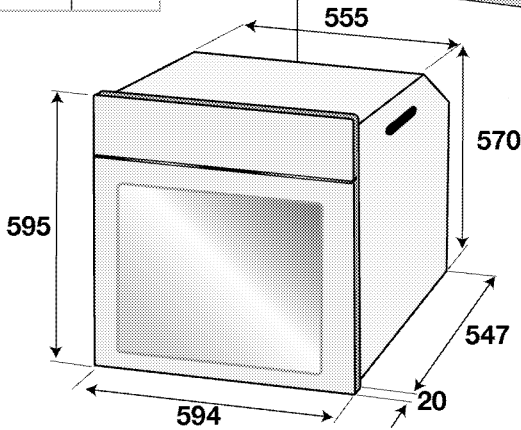
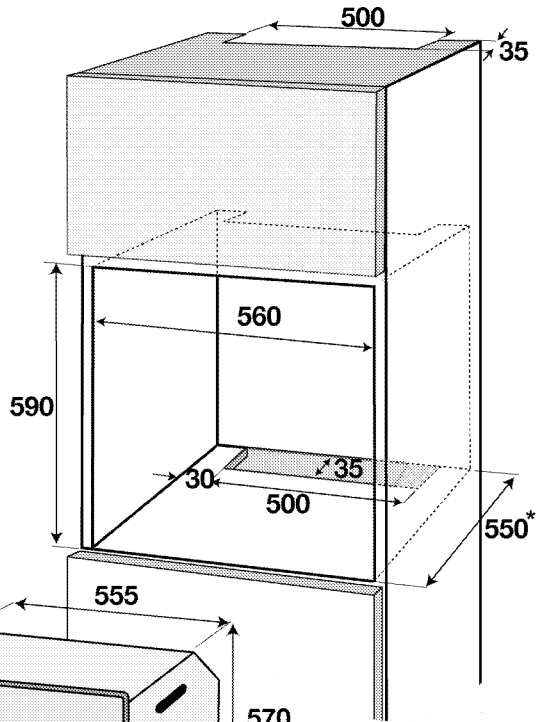
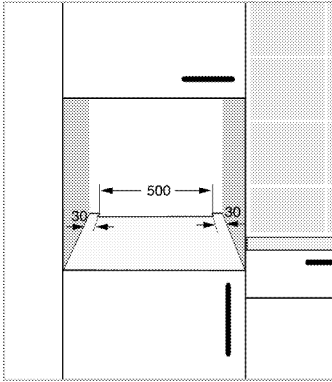
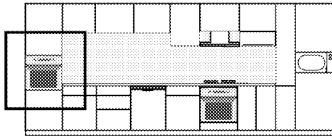
Не поставувајте го производот веднаш до ладилници или замрзнувачи. Топлината што се испушта од производот ќе ја зголеми потрошувачката на струја кај апаратите за ладење.



Не користете ја вратата или рачката за носење или поместување на производот.



* МИН.



* мин.

Поставување и поврзување

- Производот смее да се постави и поврзе само во согласност со статутарните правила за поставување.

Електрично поврзување

Поврзете го производот за заземјен штекер / довод на струја којшто е обезбеден со минијатурен автоматски осигурувач со соодветен капацитет како што е посочено во табелата „Технички спецификации“. Инсталацијата за заземјувањето треба да ја направи квалификуван електричар ако го користите производот со или

без трансформатор. Нашата компанија нема да биде одговорна за какви било оштетувања што ќе се случат заради употреба на производот без инсталација со заземјување во согласност со локалните регулативи.

**ОПАСНОСТ:**

Производот мора да се поврзе со систем за дистрибуција на струја само од страна на овластено квалификувано лице. Гарантниот производ на производот започнува по правилно вклучување. Производителот нема да се смета за одговорен за оштетување што се појавило заради постапки што ги извеле неовластени лица.

**ОПАСНОСТ:**

Кабелот за напојување не смее да се прикештува, превиткува или притиснува или да се допира со врелите делови на апаратот. Оштетениот кабел за напојување мора да се замени од страна на квалификуван електричар. Инаку, постои ризик од електричен удар, краток спој или пожар со непрофесионални поправки!

- Поврзувањето мора да биде усогласено со државните регулативи.
- Податоците за довод на ел. енергија мора да соодветствуваат со податоците што се дадени на плочката со номинални вредности на апаратот. Отворете ја предната врата за да ја видите плочката со номинални вредности.
- Кабелот за напојување за производот мора да е усогласен со вредностите во табелата „Технички спецификации“.

**ОПАСНОСТ:**

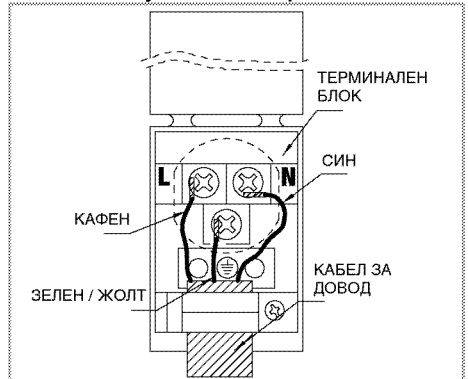
Пред започнување на каква било работа со електричната инсталација, исклучете го апаратот од довод на ел. енергија. Постои ризик од струен удар!

Поврзување на кабелот за напојување

Додека се поврзуваат жиците, мора сè да биде во согласност со националните/локалните регулативи за електрика и мора да се употребуваат соодветните штекери/линии и приклучоци за рерна. Во случај кога можноста на производот е ограничена на помала вредност од капацитетот на приклучокот и штекерот/линијата да пренесуваат струја, мора производот да се поврзе преку фиксна електрична инсталација директно без да се употребува приклучок и штекер/линија.

1. Ако не е можно да се исклучат сите полови во кабелот, мора да се поврзе уред за исклучување со најмалку од 3 мм. зазор меѓу контактите (осигурувачи, безбедносни прекинувачи, контакти) и сите полови во овој уред за исклучување мора да во опсегот на (не повеќе) овој уред во согласност со регулативите на Европската унија. Непочитувањето на ова упатство може да предизвика проблеми во работата и да ја поништи гаранцијата за производот.

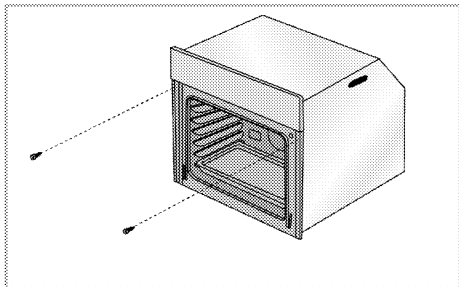
Се препорачува дополнителна заштита од преостаната струја во прекинувачот на колото.

Ако се доставува кабел со производот:

2. **За монофазно поврзување**, поврзете ги жиците како што е посочено подолу:
 - Кафена/Црна жица - L (фаза)
 - Сина/сива жица = N (нулта)
 - Зелено/жолта жица = (E) (заземјување)
 » или
 - сива/Црна жица - L (фаза)
 - Сина/Кафена жица = N (нулта)
 - Зелено/жолта жица = (E) (заземјување)

Инсталација на производот

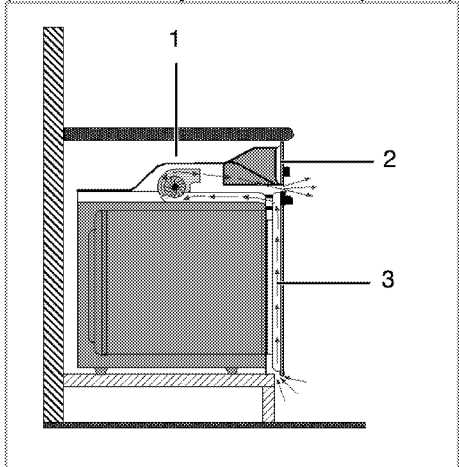
1. Лизнете ја рерната во елементот, порамнете ја и обезбедете ја обезбедувајќи дека кабелот за напојување нема да биде приклезтен и/или заглавен.



Обезбедете ја рерната со 2 шрафа како што е посочено.

По инсталирањето, проверете дали завртките се доволно затegnати и рерната не се поместува. Рерната може да се преврти за време на користењето ако не е инсталирана според инструкциите и ако завртките не се доволно затegnати.

За производите со вентилатор за разладување (Може да не е вклучена со вашиот производ.)



- 1 Вентилатор за разладување
- 2 Контролен панел
- 3 Врата

Вградениот вентилатор за разладување ги лади и елементот за вградување и предницата на производот.



Вентилаторот за разладување продолжува да работи уште 20-30 минути дури и кога е исклучена рерната.

Ако сте готвеле со програмирање на тајмерот на рерната, ќе се исклучи и вентилаторот за ладење по истекот на времето за готвење заедно со сите други функции.

Конечна проверка

1. Работете со производот.
2. Проверете ги функциите.

Фрлање на стариот производ

- Чувајте го оригиналното пакување и транспортирајте го производот во него. Следете ги упатствата на пакувањето. Ако немате оригинално пакување, спакувајте го производот во меуреста пластична опаковка или тврд картон и залепете го со селотејп цврсто.
- За да спречите грилот и решетките во рерната да ја оштетат вратата, ставете парче картон од внатрешната страна на вратата од рерната во иста висина како и решетките. Залепете ја вратата на рерната за страничните ѕидови.
- Не користете ја вратата или рачката за подигнување или поместување на производот.



Не ставајте предмети на производот и поставете го во исправна позиција.



Проверете го општиот изглед на производот за да видите дали има оштетувања што настанале при транспортот.

4 Подготовка

Совети за штедење енергија

Следните совети ќе ви помогнат да го користите производот на еколошки начин и да штедите енергија:

- Користете темни и глазирани садови за готвење бидејќи преносот на топлината е подобар.
- При готвење на јадењата, извршете ја операцијата за претходно загревање ако е препорачано во упатството за користење или во рецептот за готвење.
- Не отворајте ја вратата на рерната често за време на готвењето.
- Гответе повеќе од едно јадење во рерната секогаш кога е тоа можно. Може да готвите со ставање два сада за готвење на жичениот грил.
- Гответе повеќе од едно јадење последователно. Рерната е веќе врела.
- Може да штедите енергија со исклучување на рерната неколку минути пред да истече времето за готвење. Не отворајте ја вратата на рерната.
- Одмрзнете ги замрзнатите јадења пред да ги готвите.

Првична употреба

Поставување на времето



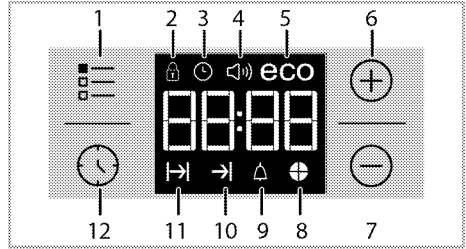
При кое било прилагодување, соодветните симболи ќе трепкаат на екранот.

Притиснете ги копчињата **+**/**-** за да го поставите времето откако рерната ќе се вклучи за првпат.



Кај модели со контроли на допир, прво допрете **⏸**, а потоа употребете **+**/**-** за да го одредите времето од денот.

Потврдете ја поставката со допир на симболот **⌚** и почекајте 4 секунди без да допирате на копчињата за да потврдите.



- 1 Копче за прилагодување
- 2 Симбол за заклучени копчиња
- 3 Симбол за часовник
- 4 Симбол за јачина на алармот (Може да не е вклучена со вашиот производ.)
- 5 Симбол за економичен режим
- 6 Копче за плус
- 7 Копче за минус
- 8 Симбол за печење пита
- 9 Симбол за аларм
- 10 Симбол за крајно време за готвење
- 11 Симбол за време на готвење
- 12 Копче за програми



Ако не се постави времето на почеток, часовникот ќе почне со работа од **12:00** и ќе се прикаже симболот **⌚**. Симболот ќе исчезне штом ќе се постави времето.



Поставките за тековно време се откажуваат ако снема струја. Треба одново да ги прилагодите.

Прво чистење на производот



Површината може да се оштети со детергенти и средства за чистење. Не користете агресивни средства за чистење, прашок за чистење / течности или остри предмети при чистењето.

1. Извадете го целиот материјал за пакување.
2. Избришете ги површините на производот со влажна крпа или сунѓер и исушете ги со крпа.

Воведно загревање

Загревајте ја рерната околу 30 минути и потоа исклучете ја. Така, сите остатоци или наслаги од производството ќе согорат и ќе се тргнат.



ПРЕДУПРЕДУВАЊЕ

Врелите површини предизвикуваат изгореници!

Производот е врел кога се употребува. Никогаш не допирајте ги врелите горилници, внатрешните делови на рерната, грејачите, итн. Држете ги децата настрана.

Секогаш користете ракавици за рерна што се отпорни за топлина кога ставате или вадите садови во / од врелата рерна.

Електрична рерна

1. Извадете ги сите тави за печење и жичениот грил од рерната.
2. Затворете ја врата на рерната.
3. Изберете ја позицијата Статично.
4. Изберете ја најголемата моќност на грилот, видете *Како се работи со електричната рерна, страница 20*.
5. Вклучете ја рерната да работи околу 30 минути.

6. Исклучете ја рерната, видете *Како се работи со електричната рерна, страница 20*

Рерна со грил

1. Извадете ги сите тави за печење и жичениот грил од рерната.
2. Затворете ја врата на рерната.
3. Изберете ја најголемата моќност на грилот, видете *Како се работи со грилот, страница 27*.
4. Вклучете ја рерната да работи околу 30 минути.
5. Исклучете го грилот, видете *Како се работи со грилот, страница 27*



Може да се појават чад и миризба во текот на неколку часа при првата работа. Ова е сосема нормално. Обезбедете добра вентилација на просторијата за да излезат чадот и миризбата. Избегнете директно вдишување на чадот и миризбата што се испушта.

5 Како се ракува со рерната

Општи информации за печење, динстање и печење на грилот.



ПРЕДУПРЕДУВАЊЕ

Врелите површини предизвикуваат изгореници!

Производот е врел кога се употребува. Никогаш не допирајте ги врелите горилници, внатрешните делови на рерната, грејачите, итн. Држете ги децата настрана.

Секогаш користете ракавици за рерна што се отпорни за топлина кога ставате или вадите садови во / од врелата рерна.



ОПАСНОСТ:

Внимавајте кога ја отворате вратата на рерната бидејќи излегува пареа.

Пареата може да ви ги попари рацете, лицето и/или очите.

Совети за печење

- Користете соодветни метални чинии што не е лепат или алуминиумски садови или силиконски калапи отпорни на топлина.
- Искористете ја најдобро внатрешноста на рамката.
- Ставете го калапот за печење на средината на решетката.
- Изберете ја правилната позиција на решетката пред да ги вклучите рерната или грилот. Не менувајте ја положбата на решетката кога рерната е врела.
- Држете ја вратата на рерната затворена.

Совети за печење месо

- Обработката на целото пиле, мисирката или големите парчиња месо со преливи како што се лимон или црн бибер го подобруваат резултатот од готвењето.
- Треба 15 до 30 минути повеќе да се испече место со коски споредено со печење на иста големина месо без коски.
- На секој центиметар од месото во слоевите му треба околу 4-5 минути време за готвење.
- Оставете го месото во рерната околу 10 минути откако ќе заврши времето за готвење. Сокот подобро се дистрибуира низ целото месо и не истекува кога се сече месото.
- Рибата треба да се стави на средина или долната решетка во сад отпорен на топлина.

Совети за печење на грил

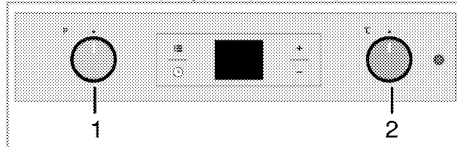
Кога месото, рибата и пилето се печат на грил, тие брзо потемнуваат, имаат вкусна крцкава кора и не се сушат. Рамни парчиња, раженчиња со месо и колбаси се особено погодни за грил, како и зеленчукот што содржи многу вода, како домати и пиперки.

- Распоредете ги парчињата што ќе се печат на грил на решетката за грил или во тава за печење со решеткаст грил така што опфатениот простор не ја надминува големината на грејачот.
- Лизнете ги решетката или тавата за печење со грил на саканото ниво во рерната. Ако печете со решетка, ставете ја тавата за печење на подолната решетка да ги собира маснотиите. Тавата за печење мора да биде со големина колку што е целата површина на печење. Можно е да не ја добиете со производот. Додајте вода во садот за печење за полесно чистење.



Храната што не е соодветна за печење на грил носи ризик од пожар. Користете само храна со грилот што е соодветна за интензивната топлина од грилот. Не ставајте ја храната предалеку назад во грилот. Тоа е највриелиот дел и масната храна може да се запали.

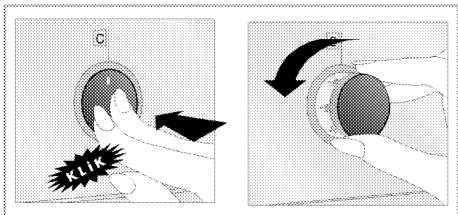
Како се работи со електричната рерна Избор на температура и работен режим



- 1 Регулатор со функции
- 2 Регулатор за термостатот

Рерната е опремена со регулатори на излегување што се појавуваат кога ќе ги притиснете.

1. Притиснете навнатре за да излезе регулаторот и потоа свртете го за да ја направите саканата поставка.



2. Кога е завршен процесот на готвење, притиснете го копчето навнатре.
1. Поставете го регулаторот за функции на саканата температура.
2. Поставете го регулаторот за функции на саканата работна температура.

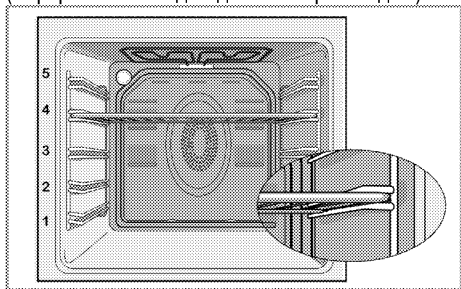
» Рерната се загрева до прилагодената температура и ја одржува. За време на загревањето, сијаличката за температура свети.

Исклучување на електричната рерна

Свртете ги регулаторот за функции и регулаторот за температура во позиција за исклученост (горе). Важно е да го ставите решеткастиот грил правилно на лежиштата. Решеткастиот грил мора да се вметне меѓу лежиштата како што е прикажано на сликата.

Не оставајте решеткастиот грил да се потпира на задниот ѕид во рерната. Лизнете го решеткастиот грил низ предниот дел на лежиштата и наместете го со помош на врата за да се постигне добра работа на грилот.

(Варира зависно од моделот на производот.)



Работни режими

Редоследот на работните режими што е прикажан тука може да се разликува од организацијата на вашиот производ.

Горен и долен грејач



Работат горниот и долниот грејач. Храната се загрева истовремено и од горе и од долу. На пример, соодветно е за торти, тесто или колачи и готвени јадења во калапи за готвење. Гответе само со една тава.

Долен грејач



Работи само долниот грејач. Соодветно е за пица и за последователно потемнување на храната од долната страна.



Оваа функција мора да се користи и за лесно чистење со пара.

Горен/долен грејач потпомогнато со вентилатор



Вклучени се горниот и долниот грејач плус вентилаторот (во задниот ѕид). Врелиот воздух рамномерно и бргу се распределува низ рерната со помош на вентилаторот. Гответе само со една тава.

Работа со вентилатор



Рерната не се загрева. Вклучен е само вентилаторот (во задниот ѕид). Соодветно за бавно одмрзнување замрзната зрнеста храна на собна температура и ладење на зготвената храна.

Загревање со вентилатор



Топлиот воздух загреван со задниот грејач се распределува еднакво и бргу низ рерната со помош на вентилаторот.



Соодветно е за готвење на јадењата на различни нивоа на полиците и не е потребно претходно загревање во повеќето случаи. Соодветно за готвење со повеќе тави.

Оваа функција мора да се користи и за лесно чистење со пара.

„3Д“-функција



Вклучени се горниот и долниот грејач топлењето преку вентилаторот (во задниот ѕид). Храната се готви рамномерно и бргу од сите страни. Гответе само со една тава.

- 6 Копче за плус
- 7 Копче за минус
- 8 Символ за печење пита
- 9 Символ за аларм
- 10 Символ за крајно време за готвење
- 11 Символ за време на готвење
- 12 Копче за програми

Целосен грил



Работи големиот грил на горната страна во рерната. Соодветно е за печење на грил на големи количини месо.

- Ставете големи или средни порции во точната позиција за полицата под грејачот за грилот за печење.
- Поставете ја температурата на максимално ниво.
- Свртете ја храната по половина од времето за печење на грил.



Максималното време за поставување на крајот на процесот на готвење е 5 часа и 59 минути
Програмата се откажува ако снима струја.
Мора одново да ја програмираете рерната.



При кое било поставување, соодветните симболи ќе трепкаат на екранот. Мора до чекате малку за да се активираат поставките.



Времето во денот не може да се постави ако нема направено поставка за готвење.

Грил+вентилатор



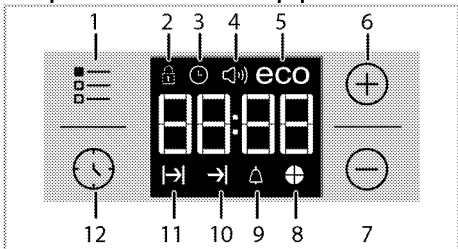
Ефектот на грилот не е толку моќен како со Целосен грил

- Ставете мали или средни порции во точната позиција за полицата под грејачот за грилот за печење.
- Поставете ја саканата температура.
- Свртете ја храната по половина од времето за печење на грил.



Преостанатото време ќе се прикаже ако времето за готвење се постави кога ќе започне готвењето.


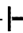
Употреба на часовникот на рерната

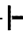


- 1 Копче за прилагодување
- 2 Символ за заклучени копчиња
- 3 Символ за часовник
- 4 Символ за јачина на алармот (Може да не е вклучена со вашиот производ.)
- 5 Символ за економичен режим

Готвење со поставување на времето за готвење;

Може да ја поставите рерната така што таа ќе се исклучи на крајот на одреденото време со поставување на време за готвење на тајмерот.

1. Изберете функција за готвење.
2. Допрете  додека не се појави симболот  на екранот за времето за готвење.
3. Поставете го времето за готвење со копчињата **+** / **-**.


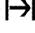


» Откако ќе го поставите времето за готвење, симболот  и времето ќе се прикажуваат постојано.


4. Ставете го садот во рерната и поставете ја температурата преку регулаторот за температура. Готвењето ќе започне.


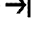


» Кога ќе започне готвењето, на екранот почнува да се одбројува времето и сите делови на симболот со одбрано време почнуваат да светат. Поставеното време на готвење е поделено на 4 еднакви дела, а кога ќе помине времето од секој дел, симболот од тој дел се гаси. Значи, лесно може да разберете уште колку време преостанало од вкупното време за готвење.

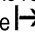
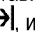
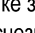
Поставување крај на времето за готвење за подоцна;

По поставување на времето за готвење на тајмерот, може да го поставите времето за крај на готвењето за подоцна.

1. Изберете функција за готвење.
2. Допрете  додека не се појави симболот  на екранот за времето за готвење.
3. Поставете го времето за готвење со копчињата  / .

» Откако ќе го поставите времето за готвење, симболот  ќе се прикажува постојано.

4. Допрете  додека не се појави симболот  на екранот за крајното време за готвење.
5. Притиснете ги копчињата  /  за да го поставите крајното време за готвење.

» Откако ќе го поставите времето за готвење, симболите  и , и времето ќе се прикажуваат постојано. Откако ќе започне готвењето, симболот  ќе исчезне.

6. Ставете го садот во рерната и поставете ја температурата преку регулаторот за температура. Готвењето ќе започне.

» Тајмерот на рерната го пресметува почетното време за готвење со одземање на времето за готвење од крајното време за готвење што го поставивте.

Избранити режим на работа се активира кога почетното време за готвење ќе се достигне и рерната ќе се загрее на поставената температура. Ја одржува оваа температура сè до крајот на времето за готвење.

» Кога ќе започне готвењето, на екранот почнува да се одбројува времето и сите делови на симболот со одбрано време почнуваат да светат. Поставеното време на готвење е поделено на 4 еднакви дела, а кога ќе помине времето од секој дел, симболот од тој дел се гаси. Значи, лесно може да разберете уште колку време преостанало од вкупното време за готвење.


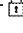
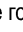
7. Откако ќе заврши процесот на готвење, се прикажува „End“ (крај) на екранот и се огласува тајмерот со аудио предупредување.
8. Аудио предупредувањето ќе се огласува 2 минути. За да го запрете предупредувањето, само притиснете го кое било копче. Предупредувањето нема да се слуша и ќе се прикажува тековното време.

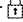


Рерната одново ќе започне со работа ако го притиснете кое било копче за крај на аудио предупредувањето. Свртите ги копчињата за температура и функции на „0“ (исклучена) позиција за да ја исклучите рерната и да спречите таа повторно да почне со работа на крајот на предупредувањето.

Активирање на заштитата за копчињата

Може да спречите рерната да се користи со активирање на функцијата за заштита на копчињата.


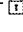

1. Допрете  додека не се појави симболот  на екранот.
- » Ќе се прикаже „OFF“ (исклучено) на екранот.
2. Притиснете го копчето  за да ја активирате заштитата за копчињата.

» Штом ќе се активира заштитата за копчињата, ќе се прикаже „On“ (вклучено) на екранот и ќе свети симболот  за заштитени копчиња.





Копчињата на рерната не се функционални кога е активна заштитата за копчињата. Заштитата за копчињата нема да се откаже ако снеса струја.

За да ја деактивирате заштитата за копчињата

1. Допрете  додека не се појави симболот  на екранот.
- » Ќе се прикаже „On“ (вклучено) на екранот.
2. Деактивирајте ја заштитата за копчињата со притисок на копчето .
- » Се прикажува „OFF“ (исклучено) штом ќе се исклучи заштитата за копчињата.

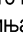
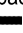
Поставување на алармот

Може да го користите тајмерот на рерната за какво било предупредување или потсетување освен за програмата за готвење. Алармот нема влијание врз функциите на рерната. Се користи само како предупредување. На пример, ова е корисно кога сакате да ја свртите храната во рерната во одреден момент. Тајмерот ќе се огласи со предупредување на крајот на поставеното време.

1. Допрете  додека не се појави симболот  на екранот.



Максималното време за алармот е 23 часа и 59 минути.

2. Поставете го времетраењето на алармот преку копчињата  / .



Функционалните копчиња за тонот на алармот, времето во денот, осветленоста на екранот и копчињата за температура треба да бидат во позиција за исклученост - 0 (OFF).

- » Символот ќе свети и ќе се појави времето за алармот на екранот штом ќе се постави времето за алармот.
- 3. По истекот на времето за алармот, символот ќе започне да трепка и ќе се слушне предупредувањето.

Исклучување на алармот

1. Аудио предупредувањето ќе се огласува 2 минути. За да го запрете предупредувањето, само притиснете го кое било копче.
- » Предупредувањето нема да се слуша и ќе се прикажува тековното време.

Откажување на алармот;

1. Допрете додека не се појави символот на екранот за да го откажете алармот.
2. Притиснете и држете го копчето додека не се прикаже „00:00“.



Се прикажува времето за алармот. Ако времето за алармот и времето за готвење се постават истовремено, ќе се прикажува пократкото време.

Менување на тонот за алармот

1. Допрете додека не се појави символот на екранот.
2. Прилагодете го саканиот тон за аларм со копчињата / .
3. Тонот што го поставивте набрзо ќе се активира.
- » Избраниот тон за алармот ќе се прикаже како „b-01“, „b-02“ или „b-03“ на екранот.

Промена на времето во денот

За менување на времето во денот што сте го поставиле порано:

1. Допрете додека не се појави символот на екранот.
2. Поставете го времето во денот со копчињата / .
3. Времето што го поставивте набрзо ќе се активира.

Економичен режим

Со поставување на времето за готвење во рерната на економичен режим, може да штедите ел. енергија додека готвите.

Во овој режим готвењето привршува со внатрешната температура од рерната, така што грејачите се гасат пред крајното време за готвење.

Поставување на економичен режим

1. Допрете додека не се појави символот **есо** (еко) на екранот.
- » Ќе се прикаже „OFF“ (исклучено) на екранот.
2. Овозможете го економичниот режим допирајќи на копчето .
- » Штом ќе се активира заштитата за копчињата, ќе се прикаже „On“ (вклучено) на екранот, а символот **есо** (еко) ќе продолжи да свети.

Оневозможување на економичниот режим

1. Допрете додека не се појави символот **есо** (еко) на екранот.
- » Ќе се прикаже „On“ (вклучено) на екранот.
2. Оневозможете го економичниот режим допирајќи на копчето .
- » Се прикажува „OFF“ (исклучено) штом ќе се исклучи заштитата за копчињата.

Поставување на осветленоста на екранот (Оваа функција е опционална. Може да не е вклучена со вашиот производ.)

1. За осветленост на екранот, допрете додека да се појават на екранот **d-01** или **d-02**, или **d-03**.
2. Поставете ја саканата осветленост со копчињата / .
- » Времето што го поставивте набрзо ќе се активира.

Табела со времиња за готвење












Времињата на табелата се наменети само како водилки. Времињата може да варираат во однос на температурата на храната, густината, типот, како и вашите навики за готвење.

Печење тесто и месо



1-вата полица во рерната е долната полица.

Јадене	Број на тапи	Додатоци за користење	Режим на работа	Позиција на решетката	Температура во (°C)	Време на готвење (приближно во мин.)
Колачи во тава	Една тава	Стандардна тава*		3	180	25 ... 30
Колач во капап	Една тава	Модпа за колач на решетка за грил**		2	180	40 ... 50
Мали колачи	Една тава	Стандардна тава*		3	160	25 ... 35
	Една тава	Стандардна тава*		3	150	30 ... 40
	2 тапи	1-Тава за тесто* 3-Стандардна тава*		1 - 3	150	35 ... 50
	3 тапи	1-Стандардна тава* 3-Тава за тесто* 5-Длабока тава*		1 - 3 - 5	150	35 ... 50
Пандишпан	Една тава	Кружен капап за колач со дијаметар од 26 см на решетка за грил**		3	160	25 ... 35
	Една тава	Кружен капап за колач со дијаметар од 26 см на решетка за грил**		2	150	30 ... 40
	2 тапи	1-Кружен капап за колач со дијаметар од 26 см на решетка за грил** 4-Кружен капап за колач со дијаметар од 26 см на тава за тесто**		1 - 4	150	35 ... 45
Колачи	Една тава	Тава за тесто*		3	180	25 ... 30
	2 тапи	1-Тава за тесто* 3-Стандардна тава*		1 - 3	180	30 ... 40
	3 тапи	1-Тава за тесто* 3-Стандардна тава* 5-Длабока тава*		1 - 3 - 5	180	35 ... 45
Тесто за крофни	Една тава	Стандардна тава*		2	200	30 ... 40
	2 тапи	1-Тава за тесто* 5-Стандардна тава*		1 - 5	200	45 ... 55
	3 тапи	1-Тава за тесто* 3-Стандардна тава* 5-Длабока тава*		1 - 3 - 5	200	55 ... 65
Богато тесто	Една тава	Стандардна тава*		2	200	25 ... 35
	2 тапи	1-Тава за тесто* 3-Стандардна тава*		1 - 3	200	35 ... 45
	3 тапи	1-Тава за тесто* 3-Стандардна тава* 5-Длабока тава*		1 - 3 - 5	190	45 ... 55
Маја	Една тава	Стандардна тава*		2	200	35 ... 45
Лазањи	Една тава	Стаклена/метална правоаголна тава на решетка за грил**		2 - 3	200	30 ... 40
Пица	Една тава	Стандардна тава*		2	200 ... 220	15 ... 20

Говедски стек (цел) / печенка	Една тава	Стандардна тава*		3	25 мин. 250/мах, потоа, 180 ... 190	100 ... 120
Јагнешки буг (динстан)	Една тава	Стандардна тава*		3	25 мин. 250/мах, потоа, 190	70 ... 90
	Една тава	Стандардна тава*		3	25 мин. 250/мах, потоа, 190	60 ... 80
Печено пилешко (1,8-2 кг.)	Една тава	Стандардна тава*		2	15 мин. 250/мах, потоа, 180 ... 190	60 ... 80
	Една тава	Стандардна тава*		2	15 мин. 250/мах, потоа, 180 ... 190	60 ... 80
Мисирка (5.5 кг.)	Една тава	Стандардна тава*		1	25 мин. 250/мах, потоа, 180 ... 190	150 ... 210
	Една тава	Стандардна тава*		1	25 мин. 250/мах, потоа, 180 ... 190	150 ... 210
Риба	Една тава	Стандардна тава*		3	200	20 ... 30
	Една тава	Стандардна тава*		3	200	20 ... 30

Се препорачува рерната да се загрева пред готвење на која било храна.







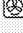


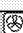

* Додатоците може да не бидат испорачани со производот.




** Додатоците не се испорачуваат со производот. Достапни се за продажба како посебни додатоци.

Табела за готвење за тестирање јадења

Јадењата во оваа табела за готвење се подготвени според EN 60350-1 за да им олесни на

институциите за контрола да го тестираат производот

Јадење	Број на тави	Додатоци за користење	Режим на работа	Позиција на решетката	Температура во (°C)	Време на готвење (приближно во мин.)
Кратконосец	Една тава	Стандардна тава*		3	140	20 ... 30
	Една тава	Стандардна тава*		3	140	20 ... 30
	2 тави	1-Стандардна тава* 3-Тава за тесто*		1 - 3	140	20 ... 30
	3 тави	1-Стандардна тава* 3-Тава за тесто* 5-Длабока тава*		1 - 3 - 5	140	25 ... 35
Мали колачи	Една тава	Стандардна тава*		3	160	25 ... 35
	Една тава	Стандардна тава*		3	150	30 ... 40
	2 тави	1-Тава за тесто* 3-Стандардна тава*		1 - 3	150	35 ... 50
	3 тави	1-Стандардна тава* 3-Тава за тесто* 5-Длабока тава*		1 - 3 - 5	150	35 ... 50
Пандишпан	Една тава	Кружен калап за колач со дијаметар од 26 cm на решетка за грил**		3	160	25 ... 35
	Една тава	Кружен калап за колач со дијаметар од 26 cm на решетка за грил**		2	150	30 ... 40
	2 тави	1-Кружен калап за колач со дијаметар од 26 cm на решетка за		1 - 4	150	35 ... 45

		грил** 4-Кружен капац за колач со дијаметар од 26 см на тава за тесто**				
Пита со јаболка	Една тава	Кружен црн метален сад со дијаметар од 20 см на решетка за грил**		2	180	50 ... 60
	Една тава	Кружен црн метален сад со дијаметар од 20 см на решетка за грил**		2	170	50 ... 60
	2 тави	1-Кружен црн метален сад со дијаметар од 20 см на решетка за грил** 4-Кружен црн метален сад со дијаметар од 20 см на тава за тесто**		1 - 4	170	50 ... 60

Се препорачува рерната да се загрева пред готвење на која било храна.

* Додатоците може да не бидат испорачани со производот.

** Додатоците не се испорачуваат со производот. Достапни се за продажба како посебни додатоци.

Совети за печење колачи

- Ако колачет е многу сув, зголемете ја температурата за околу 10°C и намалете го времето за готвење.
- Ако колачет е влажен, употребете помалку течност или намалете ја температурата за 10°C.
- Ако колачет е многу темен на површината, ставете го на долната полица, намалете ја температурата и зголемете го времето за готвење.
- Ако е добро зготвено внатре, но лепливо однадвор, употребете помалку течност, намалете ја температурата и зголемете го времето за готвење.

Совети за печење тесто

- Ако тестото е многу суво, зголемете ја температурата за околу 10°C и намалете го времето за готвење. Навлажнете ги слоевите тесто со смеса од млеко, масло, јајце и јогурт.
- Ако на тестото му треба многу време да се испече, обрнете внимание дебелината на тестото што сте го подготвиле да не ја надминува длабочината на тавата.
- Ако горната површина на тестото се зацрни, но долниот дел не е зготвен, проверете дали количината сос што сте ја употребиле во тестото е премногу близу до долната страна на тестото. Обидете се да го разнесете сосот еднакво во средината и врз слоевите тесто за изедначено печење.



Печете го тестото во согласност со режимот и температурите што се дадени во табелата за готвење. Ако долниот дел не е доволно испечен, ставете го за една полица подолу следниот пат.

Совети за готвење зеленчук

- Ако јадењето со зеленчук снима сок и се исуши, гответе го во тенџере со капац наместо во тава. Затворените садови ќе го задржат сокот во јадењето.
- Ако јадењето со зеленчук не се зготви, сварете го зеленчукот претходно или подгответе го како конзервирана храна и ставете го во рерната.

Како се работи со грилот



ПРЕДУПРЕДУВАЊЕ

Затворете ја вратата на рерната при употреба на грилот.
Врелите површини предизвикуваат изгореници!

Вклучување на грилот

1. Свртете го регулаторот за функции на саканиот симбол за грил.
 2. Потоа, изберете ја саканата температура за грилот.
 3. Ако е потребно, претходно загревајте 5 минути.
- » Се вклучува сијаличката за температура.

Исклучување на грилот

1. Свртете го регулаторот со функции на позиција за исклученост (горе).



Храната што не е соодветна за печење на грил носи ризик од пожар. Користете само храна со грилот што е соодветна за интензивната топлина од грилот. Не ставајте ја храната предалеку назад во грилот. Тоа е највредиот дел и масната храна може да се запали.

Табела со времиња на готвење за грил

Печење на грил со електричен грил

Храна	Додатоци за користење	Позиција на решетката	Препорачана температура (°C)**	Време на печење на грил (приближно)
Риба	Решетка за грил	4..5	250/max	20..25 мин. #
Пилешко на парчиња	Решетка за грил	4..5	250/max	25..35 мин.
Котлети од јагнешко	Решетка за грил	4..5	250/max	20..25 мин.
Печење говедско	Решетка за грил	4..5	250/max	25..30 мин. #
Телешки котлети	Решетка за грил	4..5	250/max	25..30 мин. #
Леб за тостови *	Решетка за грил	4	250/max	1..3 мин.

во зависност од густината

*Претходно загрејте околу 5 минути.

**Ако може да се приспособи температурата за грил на вашиот производ, тој ќе работи при максимална температура.

Јадењата во оваа табела за готвење се институциите за контрола да го тестираат подготвени според EN 60350-1 за да им олесни на производот

Храна	Додатоци за користење	Позиција на решетката	Температура во (°C)	Време на готвење (приближно во мин.)
Леб за тостови	Решетка за грил	4	250/max	1..3 мин.
Косфиња (говедско) - 12 парчиња	Решетка за грил	4	250/max	25..35 мин.



Свртете ја храната откако ќе изминат 2/3 од вкупното време за грил.

Се препорачува рерната да се загрева 5-6 минути пред готвење на која било храна.



6 Одржување и грижа

Општи информации

Векот на траење ќе се продолжи, а честите проблеми ќе се намалат ако производот се чисти редовно.

	ОПАСНОСТ: Исклучете го производот од довод на ел. енергија пред одржување и чистење. Постои ризик од струен удар!
	ОПАСНОСТ: Оставете апаратот да се излади пред чистење. Врелите површини предизвикуваат изгореници!

- Чистете го производот темелно по секоја употреба. На тој начин остатоците од готвење ќе се отстранат полесно и ќе се избегне нивно горење при следниот пат на вклучување на апаратот.
- Не се потребни специјални средства за чистење за производот. Користете топла вода со средство за миене, мека крпа или сунѓер за чистење на производот и избришете со сува крпа.
- Секогаш избришете ја прекумерната течност темелно по чистењето, а секое претекување мора веднаш да се избрише.
- Не користете средства за чистење што содржат киселина или хлорид за чистење на површините од не`рѓосувачки челик или од инокс, како и рачките. Користете мека крпа со течен детергент (но не абразив) за да ги исчистите овие површини обрнувајќи внимание да бришете во еден правец.

	Површината може да се оштети со детергенти и средства за чистење. Не користете агресивни средства за чистење, прашок за чистење / течности или остри предмети при чистењето.
	Не користете чистачи на пареа за да го исчистите апаратот бидејќи тие може да предизвикаат електричен удар.

Чистење на контролниот панел

Исчистете ги контролниот панел и регулаторите со влажна крпа и избришете ги со сува.

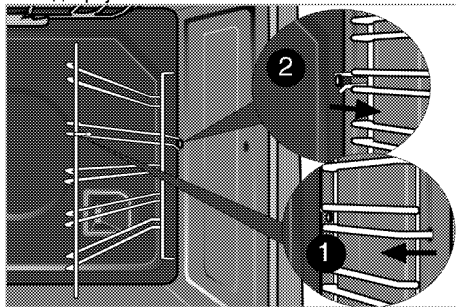


Не отстранувајте ги контролните копчиња/регулатори за да го исчистите контролниот панел.
Контролниот панел може да се оштети!

Чистење на рерната

**Чистење на страничните сидови(Варира зависно од моделот на производот.)
(Оваа функција е опционална. Може да не е вклучена со вашиот производ.)**

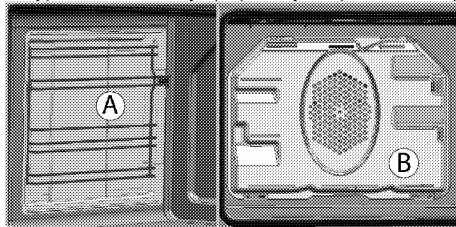
1. Тргнете го предниот дел на страничната рамка со влечење во обратен правец од страничниот сид.
2. Извадете ја страничната рамка со влечење докрај кон вас.



Каталитички сидови

(Оваа функција е опционална. Може да не е вклучена со вашиот производ.)

Внатрешните странични сидови (А) и/или задниот сид (Б) на вашиот производ може да се премачкани со каталитички енавел. Каталитичките сидови имаат светла мат боја и порозна површина. Не треба да се чистат каталитичките сидови на рерната. Порозните површини на каталитичките сидовите се чистат сами со апсорбирање и преобразување на истурената маснотија (пареа и јаглерод диоксид).

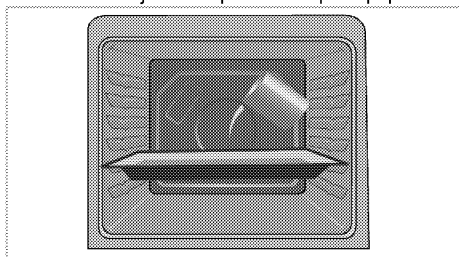


Лесно чистење со пареа

Овозможува лесно чистење бидејќи нечистотијата (под услов ако не сте чекале предолго) се

омекнува со пареата што се создава во рерната, а водените капки се кондензираат на внатрешните површини.

1. Извадете ја целата опрема од рерната.
2. Истурете 500 ml вода во тавата за рерна и поставете ја на втората полица во рерната.



3. Поставете ја рерната во режим за лесно чистење со параа и вклучете ја на 100° C 25 минути.
4. Отворете ја вратата и избришете ги внатрешните површини на рерната со влажен сунѓер или крпа.
5. Користете топла вода со средство за миење, мека крпа или сунѓер за да ја исчистите закоравената нечистотија и избришете со сува крпа.



За време на режимот на лесно чистење параа, водата од тавата за омекнување на лесно обликуваните остатоци/нечистотија во празнината на рерната ќе испари и кондензира во празнината на рерната и внатрешното стакло на вратата на рерната, со што вода може да капе кога е отворена вратата на рерната. Избришете ја кондензацијата додека е отворена вратата.

Чистење на вратата на рерната

За да ја исчистите вратата на рерната, користете топла вода со средство за миење, мека крпа или сунѓер за да ја исчистите производот и избришете го со сува крпа.

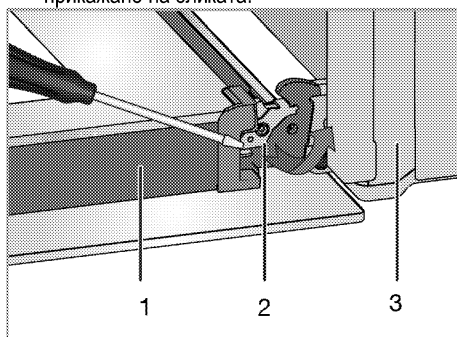


Не користете груби абразивни средства или остри метални жици за чистење на вратат на рерната. Може да ја изгребаат површината и да го уништаат стаклото.

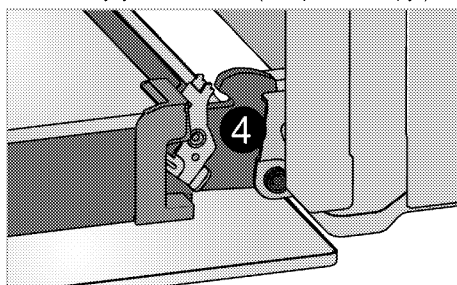
Вадење на вратата на рерната

1. Отворете ја предната врата (1).
2. Отворете ги спојниците на кукиштето за шарките (2) десно и лево напред странично

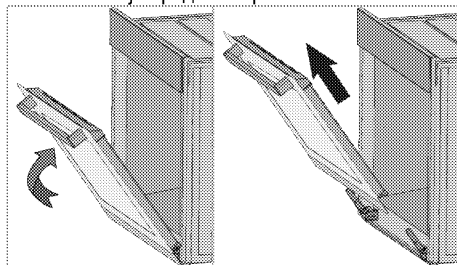
со притиснување надолу како што е прикажано на сликата.



- 1 Врата
- 2 Заклучување на панта(затворена позиција)
- 3 Рерна
- 4 Заклучување на панта(отворена позиција)



3. Поместе ја предната врата половично.



4. Извадете ја предната врата со влечење нагоре за да ја ослободите од шарките лево и десно.



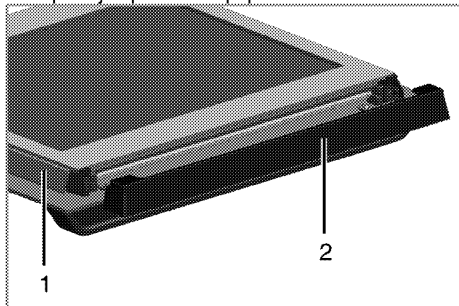
Чекорите што ќе ги направите за време на постапката на вадење, треба да се повторат по обратен редослед за да поставите вратата на место. Не заборавајте да ги затворите спојниците на кукиштето на шарките при повторно поставување на вратата.

Вадење на внатрешното стакло на вратата

(Оваа функција е опционална. Може да не е вклучена со вашиот производ.)

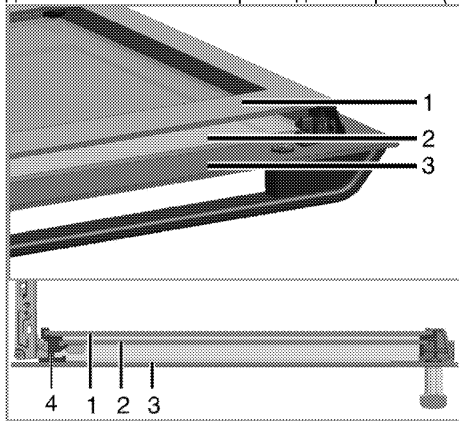
Внатрешното стаклено окно на вратата на рерната може да се извади за чистење.

Отворете ја вратата на рерната.



- 1 Рамка
- 2 Пластичен дел

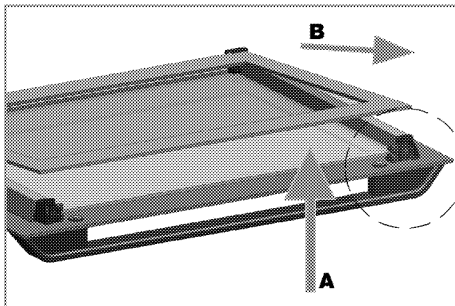
Повлечете кон себе и извадете го пластичниот дел што е поставен на горниот дел на вратата (1).



- 1 Највнатрешно стаклено окно
- 2 Внатрешно стаклено окно
- 3 Надворешно стаклено окно
- 4 Пластичен отвор за стакленото окно - долу

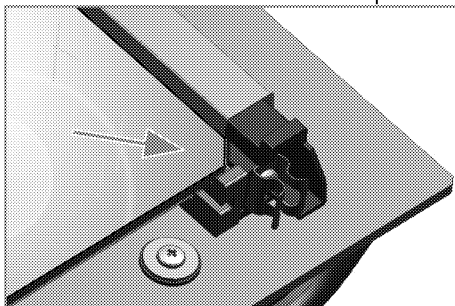
Како што е прикажано на сликата, подигнете го највнатрешното стакло (1) делумно во правец на **A** и повлечете го кон надвор во правец **B**.

Повторете ја истата постапка за да го извадите внатрешното внатрешно стакло (2).



Првиот чекор да ја составите вратата и да го поставите внатрешното стаклено окно на свое место (2).

Како што е прикажано на сликата, ставете го закосениот агол на стакленото окно за да навлезе во закосениот агол на пластичниот отвор.



Внатрешното стаклено окно (2) мора да се постави во пластичниот отвор близу до највнатрешното стаклено окно (1). Кога го поставувате највнатрешното стаклено окно (1), проверете дали печатената страна на окното е насочена кон внатрешното стаклено окно. Важно е да ги поставите долните агли на внатрешното стаклено окно во долниот пластичен отвор (5).

Притискајте го пластичниот дел кон рамката додека не слушнете звук на кликнување.

Замена на светилката во рерната



ОПАСНОСТ:

Пред да ја замените светилката во рерната, проверете дали производот е исклучен од струја и изладен за да избегнете ризик од електричен удар. Врелите површини предизвикуваат изгореници!



Во оваа печка, се користи блескаво светилка со моќност помала од 40 W, висина помала од 60 mm, дијаметар помал од 30 mm или халогена светилка со приклучок тип G9, моќност помала од 60 W. Светилките се погодни за работа на температури над 300 ° C. Светилки во рерната може да се добијат од овластени сервисни агенти или техничар со лиценца.



Позицијата на светилката може да варира од онаа на сликата.



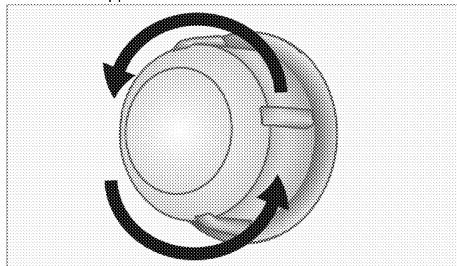
Сијалицата што се користи во овој уред не е соодветна за осветлување простории во домаќинството. Наменетата употреба на оваа сијалица е да му помага на корисникот да ја гледа храната.



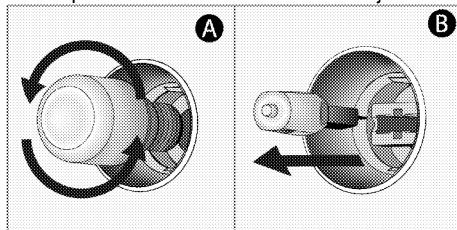
Сијалиците што се користат во овој производ треба да ги издржуваат екстремните физички услови, како што се температурите над 50 °C.

Ако рерната има тркалезна светилка:

1. Исклучете го производот од струја.
2. Свртете го стаклениот капак обратно од движењето на сказалките на часовникот за да го извадите.



3. Ако сијаличката во рерната е од тип (A) како на долната слика, отстранете ја со вртење како што е прикажано и заменете ја. Ако е од тип (B), повлечете ја и отстранете ја како што е прикажано на сликата и заменете ја.



4. Ставете го стаклениот капак одново.

7 Решавање проблеми

Рерната испушта пареа додека работи.

- Нормално е пареа да излегува за време на работата. >>> *Ова не е грешка.*

Производот емитува звук на метал при загревање и ладење.

- Кога ќе се загрејат металните делови, тие може да се прошират и да предизвикаат бука. >>> *Ова не е грешка.*

Производот не работи.

- Осигурувачот за ел. напојување е расипан или паднал. >>> *Проверете ги осигурувачите во кутијата. Ако е неопходно, заменете ги или активирајте ги одново.*
- Производот не е приклучен во (заземјен) штекер. >>> *Проверете го поврзувањето на приклучокот.*

Сијаличката во рерната не работи.

- Сијаличката во рерната е прегорена. >>> *Сменете ја сијаличката.*
- Нема струја. >>> *Проверете дали има струја. Проверете ги осигурувачите во кутијата. Ако е неопходно, заменете ги или активирајте ги осигурувачите.*

Рерната не се загрева.

- Не се поставени функцијата и/или температурата. >>> *Поставете ги функцијата и температурата со регулаторот/копчето за функција/температура.*
- Тајмерот не е наместен кај моделите што се опремени со тајмер. >>> *Прилагодете го времето.*
(Кај производите со микроречка, тајмерот ја контролира само микроречката.)
- Нема струја. >>> *Проверете дали има струја. Проверете ги осигурувачите во кутијата. Ако е неопходно, заменете ги или активирајте ги осигурувачите.*

(Кај моделите со тајмер) Приказот на часовникот трепка или е вклучен симболот за часовник.

- Има прекин на струја. >>> *Прилагодете го времето/прекинувачот на производот и вклучете го одново.*



Консултирајте се со овластен агент за сервисирање или со застапникот од каде што сте го купиле производот ако не можете сами да го решите проблемот иако сте ги примениле упатствата во ова поглавје. Никогаш не обидувајте се сами да го поправате расипаниот уред.

