



## **Upright Freezer**

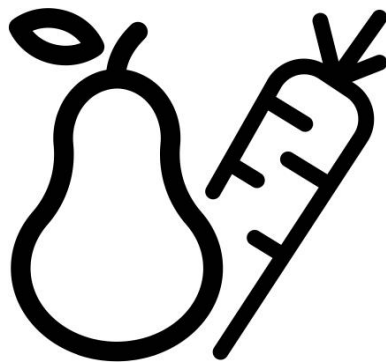
Instruction of use

## **Congélateur Vertical**

Notice d'utilisation

## **Staand Diepvriezer**

Gebruiksaanwijzing



**RFSA240M33XBN**

EN-FR-NL





### **WARNING!**

In order to ensure a normal operation of your refrigerating appliance, which uses a completely environmentally friendly refrigerant the R600a (flammable only under certain conditions) you must observe the following rules:

- Do not hinder the free circulation of the air around the appliance.
- Do not use mechanical devices in order to accelerate the defrosting, others than the ones recommended by the manufacturer.
- Do not destroy the refrigerating circuit.
- Do not use electric appliances inside the food keeping compartment, other than those that might have been recommended by the manufacturer.

### **AVERTISSEMENT !**

Afin de s'assurer du fonctionnement normal de votre réfrigérateur, contenant le réfrigérant R600a qui contribue à la protection de l'environnement (inflammable dans certaines conditions seulement), il convient de respecter les règles suivantes :

- Ne pas empêcher la circulation d'air autour de l'appareil.
- Ne pas utiliser d'outils mécaniques ou autres dispositifs pour accélérer le processus de décongélation autres que ceux qui sont recommandés par le fabricant.
- Ne pas abîmer le circuit réfrigérant.
- Ne pas utiliser d'appareils électriques à l'intérieur des compartiments de conservation de denrées, à moins qu'ils soient conformes au type d'appareils recommandés par le fabricant.

### **WAARSCHUWING!**

U moet de volgende regels in acht nemen om de normale werking van uw koelkast, die het volledig milieuvriendelijke koelmiddel R600a gebruikt, te verzekeren:

- Hindert de vrije luchtcirculatie rond het toestel niet.
- Gebruik geen andere mechanische toestellen om het ontdooien te versnellen dan de toestellen die door de fabrikant worden aangeraden.
- Vernietigt het koelcircuit niet.
- Gebruik geen andere elektrische toestellen in de bewaarlade voor etenswaren dan de toestellen die eventueel door de fabrikant worden aangeraden.

## EN Index

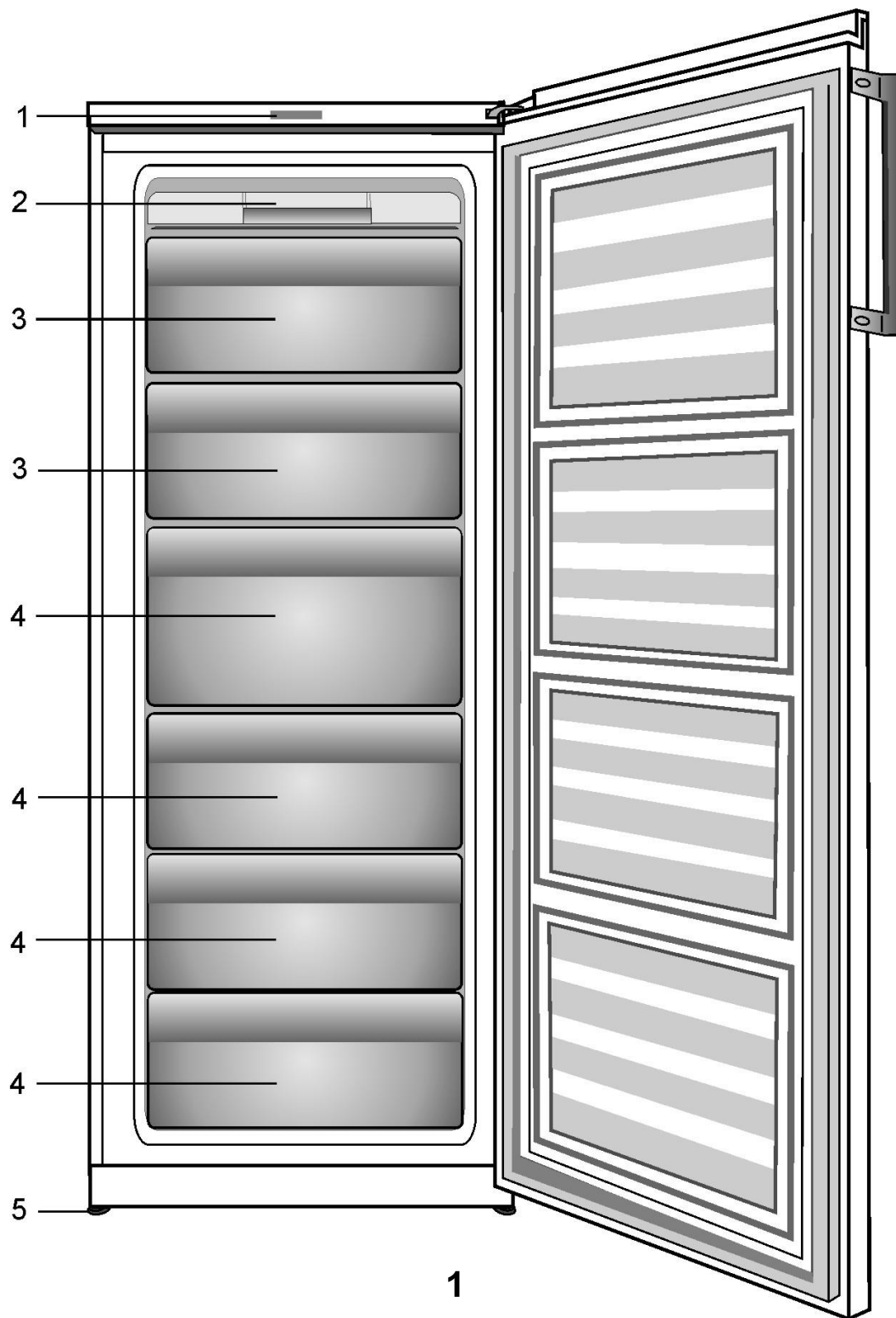
Safety first /1  
Electrical requirements /2  
Transportation instructions /2  
Installation instructions /2  
Temperature control and adjustment /3  
Before operating /3  
Freezer control panel /4  
Fast freeze function /4  
Storing frozen food /4  
Freezing fresh food /4  
Making ice cubes /5  
Getting to know your appliance /5  
Defrosting /5  
Cleaning and care /5  
Repositioning the door /5  
Do's and don'ts /6  
Troubleshooting /7  
Information about operating noises /7

## FR Sommaire

La sécurité d'abord /1  
Conditions électriques /2  
Instructions de transport /2  
Instructions d'installation /2  
Commande de température et réglage /3  
Avant l'utilisation /3  
Bandeau de commande du congélateur /4  
Fonction de congélation rapide /4  
Conservation des denrées surgelées /4  
Congélation des produits frais /5  
Fabrication de glaçons /5  
Apprendre à connaître votre appareil /5  
Dégivrage /5  
Nettoyage et entretien /6  
Repositionnement de la porte /6  
À faire / À éviter /6  
Diagnostic /7  
Informations relatives aux bruits de fonctionnement /7

## NL Inhoud

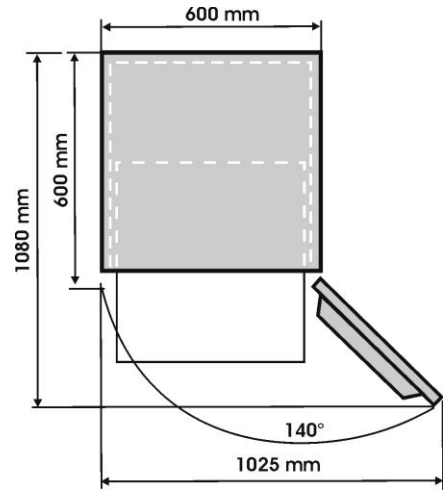
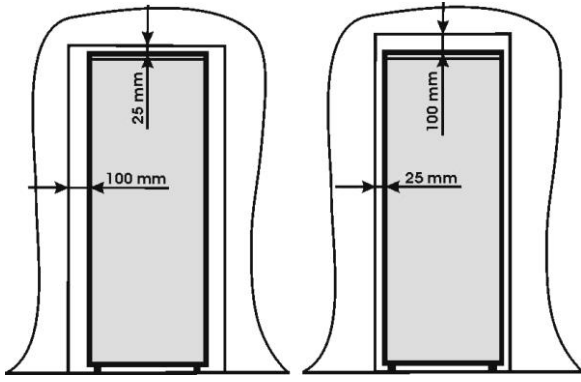
Veiligheid eerst /17  
Elektriciteitsvereisten /18  
Transportinstructies /18  
Installatie-instructies /18  
Opmeting en regeling van de temperatuur /19  
Alvorens de inwerkstelling /19  
Bedieningspaneel diepvriezer /20  
Diepvriesproducten bewaren /20  
Verse etenswaren invriezen /21  
Ijsblokjes maken /21  
Uw toestel leren kennen /21  
Ontdooien /21  
Schoonmaak en onderhoud /22  
De deur verplaatsen /22  
Wel en niet /22  
Problemen oplossen /23  
Informatie over de functiegeluiden /23



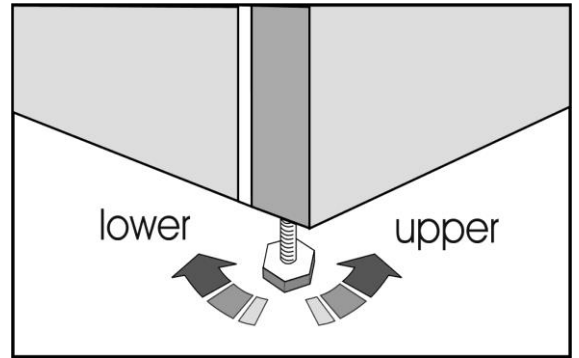
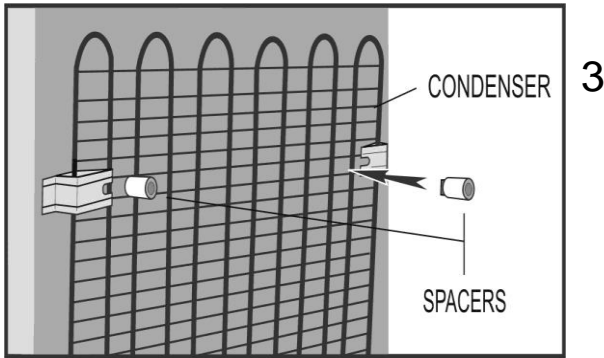
**i** Figures that take place in this instruction manual are schematic and may not correspond exactly with your product. If the subject parts are not included in the product you have purchased, then it is valid for other models.

**i** Les illustrations présentées dans cette notice d'utilisation sont schématiques et peuvent ne pas correspondre exactement à votre produit. Si des pièces présentées ne sont pas comprises dans le produit que vous avez acheté, elles sont valables pour d'autres modèles.

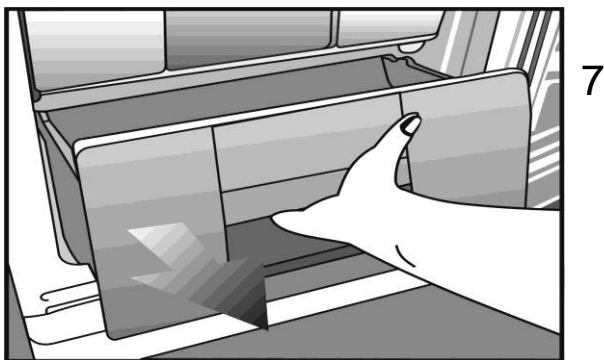
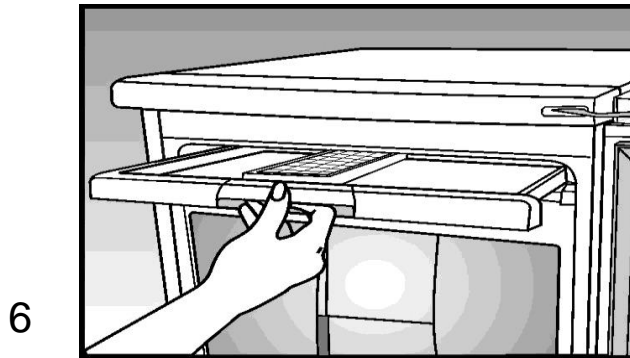
**i** De afbeeldingen in deze gebruiksaanwijzing zijn schematisch en hoeven niet exact met uw product overeen te komen. Wanneer onderdelen niet tot het product behoren dat u hebt gekocht, gelden deze voor andere modellen.

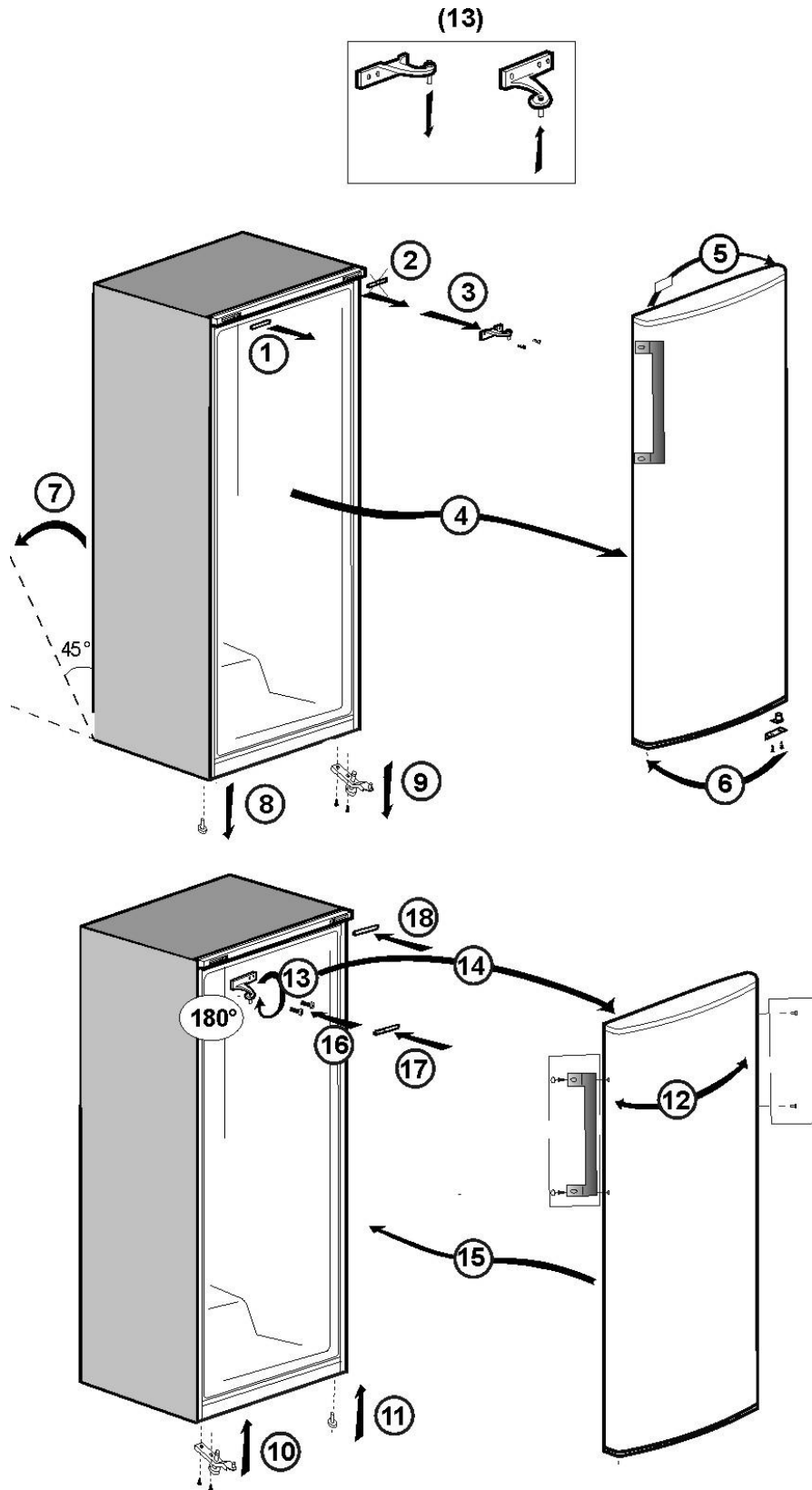


2



5





Congratulations on your choice of a BEKO Quality Appliance, designed to give you many years of service.

### **Safety first!**

Do not connect your appliance to the electricity supply until all packing and transit protectors have been removed.

- Leave to stand for at least 4 hours before switching on, to allow compressor oil to settle, if transported horizontally.
- If you are discarding an old appliance with a lock or latch fitted to the door, ensure that it is left in a safe condition to prevent the entrapment of children.
- This appliance must only be used for its intended purpose.
- Do not dispose of the appliance on a fire. Your appliance contains non CFC substances in the insulation which are flammable. We suggest you contact your local authority for information on disposal and available facilities.
- We do not recommend use of this appliance in an unheated, cold room. (e.g. garage, conservatory, annex, shed, out-house etc.)

To obtain the best possible performance and trouble free operation from your appliance it is very important to read these instructions carefully. Failure to observe these instructions may invalidate your right to free service during the guarantee period.

Please keep these instructions in a safe place for easy reference.

Original Spare parts will be provided for 10 years, following the product purchasing date.

## **i INFORMATION**



The model information as stored in the product data base can be reached by entering following website and searching for your model identifier (\*) found on energy label.

<https://eprel.ec.europa.eu/>

**This appliance is not intended for use by person with reduced physical, sensory or mental capabilities or lack of experience and knowledge unless they have been given supervision or instruction concerning use of the appliance by a person responsible for their safety.  
Children should be supervised to ensure that they do not play with the appliance.**



## Electrical requirements

Before inserting the plug into the wall socket make sure that the voltage and the frequency shown in the rating plate inside the appliance corresponds to your electricity supply.

We recommend that this appliance is connected to the mains supply via a suitably switched and fused socket in a readily accessible position.

The plug has to be accessible after installation in order to allow disconnection of the appliance from the supply after installation.

### **Warning! This appliance must be earthed.**

Repairs to the electrical equipment may only be made by qualified experts. If the power cable is damaged, the manufacturer or customer service must replace it in order to avoid danger.

### **ATTENTION!**

This appliance operates with R 600a which is an environmental friendly but flammable gas. During the transportation and fixing of the product, care must be taken not to damage the cooling system. If the cooling system is damaged and there is a gas leakage from the system, keep the product away from open flame sources and ventilate the room for a while.

**WARNING** - Do not use mechanical devices or other means to accelerate the defrosting process, others than those recommended by the manufacturer.

**WARNING** - Do not damage the refrigerant circuit.

**WARNING** - Do not use electrical appliances inside the food storage compartments of the appliance, unless they are of the type recommended by the manufacturer.

**WARNING** - If the supply cord is damaged, it must be replaced by the manufacturer, its service agent or similarly qualified persons in order to avoid a hazard.

## Transportation instructions

1. The appliance should be transported only in an upright position. The packing as supplied must be intact during transportation.
2. If during the transport the appliance, has been positioned horizontally, it must not be

operated for at least 4 hours, to allow the system to settle.

3. Failure to comply with the above instructions could result in damage to the appliance, for which the manufacturer will not be held liable.

4. The appliance must be protected against rain, moisture and other atmospheric influences.

### **Important!**

- Care must be taken while cleaning/carrying the appliance not to touch the bottom of the condenser metal wires at the back of the appliance, as this could cause injury to fingers and hands.
- Do not attempt to sit or stand on top of your appliance as it is not designed for such use. You could injure yourself or damage the appliance.
- Make sure that the mains cable is not caught under the appliance during and after moving, as this could damage the cable.
- Do not allow children to play with the appliance or tamper with the controls.

## Installation instructions

1. Do not keep your appliance in a room where the temperature is likely to fall below -15 degrees C (5 degrees F) at night and/or especially in winter, as it is designed to operate in ambient temperatures between -15 and +43 degrees C (5 and 109 degrees F). At lower temperatures the appliance may not operate, resulting in a reduction in the storage life of the food.

2. Do not place the appliance near cookers or radiators or in direct sunlight, as this will cause extra strain on the appliance's functions. If installed next to a source of heat or freezer, maintain the following minimum side clearances:

From Cookers 30 mm

From Radiators 300 mm

From Freezers 25 mm

3. Make sure that sufficient room is provided around the appliance to ensure free air circulation (**Item 2**).

- Put the back airing lid to the back of your refrigerator to set the distance between the refrigerator and the wall (**Item 3**).

4. The appliance should be positioned on a smooth surface. The two front feet can be adjusted as required. To ensure that your appliance is standing upright adjust the two front feet by turning clockwise or anti-clockwise, until firm contact is secured with the floor. Correct adjustment of feet prevents excessive vibration and noise (**Item 4**).
5. Refer to "Cleaning and Care" section to prepare your appliance for use.

### **Temperature control and adjustment**

The freezer temperature is influenced by the freezer temperature set button (**recommended are 2 or 3 position**).

Generally, this temperature is below  $-18^{\circ}\text{C}$ . Lower temperatures can be obtained by adjusting the thermostat knob towards position MAX.

We recommend checking the temperature with a thermometer to ensure that the storage compartments are kept to the desired temperature. Remember to take the reading immediately since the thermometer temperature will rise very rapidly after you remove it from the freezer.

Please remember that each time the door is opened cold air escapes and the internal temperature rises. Therefore never leave the door open and ensure it is closed immediately after food is put in or removed.

### **Before operating**

#### **Final Check**

Before you start using the freezer check that:

1. The feet have been adjusted for perfect levelling.
2. The interior is dry and air can circulate freely at the rear.
3. The interior is clean as recommended under "CLEANING AND CARE."
4. The plug is inserted into the wall socket and the electricity supply is switched on. Avoid accidental disconnection by taping over the switch.

#### **And note that:**

5. You will hear a noise as the compressor starts up. The liquid and gases sealed within the refrigeration system may also make some noise, whether the compressor is running or not. This is quite normal.

6. To freeze the fresh foods use the compartment marked with 4 stars (recommended second shelf).

7. Don't put in freezer a too big quantity of foods in the same time. The foods quality is well kept if they are deeply frozen in the shortest time possible. Therefore it is preferable do not exceed the freezing capacity of the appliance shown in "Appliance record". The thermostat knob shall be adjusted in order to obtain the lowest temperature inside the freezer, with the fast freeze function activated and the orange lamp lighting.

8. Do not load the appliance immediately it is switched on. Wait until the correct storage temperature has been reached. We recommend that you check the temperature with an accurate thermometer (see; Temperature Control and Adjustment).

#### **Important Note:**

If there is a power failure do not open the door. Frozen food should not be affected if the failure lasts for less than 16 hours. If the failure is longer, then the food should be checked and either eaten immediately or cooked and then re-frozen.

## Freezer control panel

### Item 5

The control panel adjusts the temperature in the freezer and has the following functions:

#### 1 - Orange led - Fast freeze on

When you turn the freezer temperature set button (4) to the „FAST FREEZE” position, the orange led (1) will lit and the appliance will run in lowest temperature conditions. The orange LED stops to lit after 50 hours of running in lowest temperature conditions.

#### 2 - Green led - electricity on (Voltage)

Lights when the appliance is connected to the network and remains lit as long as it is available power supply. LED green does not provide information on temperature inside the freezer.

#### 3 - Red Led - High Temperature Alarm

#### 4 - Setting temperature button

#### High temperature alarm

After the appliance is turned on for the first time the alarm is not active for 12 hours (red led is off).

After this period, red led can lights (red led is on) in the following cases:

- If the appliance is overloaded with fresh food
- If the door is left open by mistake.

In these cases the red led will remain lit until the appliance reached the preset temperature. If the red led is on wait for 24 hours before to announce the authorized service.

#### **Important:**

The temperatures obtained inside can vary according to the conditions of use of the appliance: location, ambient temperature, frequency of door opening, degree of loading with food. The temperature setting will be modified according to these conditions.

If the red led is on wait for 24 hours before to announce the authorized service.

It could be the warm food placed inside the freezer and/or the door who was left open. In 24 hrs of functioning the allarm for hight temperature (red led) it should be off.

## Fast freeze function

To activate FAST FREEZING function, please adjust the temperature setting knob to „FAST FREEZE” position. It is advised that you place the foodstuffs that you wish to freeze faster in the freezer compartment 24 hours after you activate fast freezing function. While fast freezing is activated, your refrigerator runs at lowest temperature setting for freezer. Fast freeze function lasts for 50 hours. After terminated, your refrigerator reverts to normal use conditions with a temperature setting of 3 even though the knob is still employed at „FAST FREEZE” position. This ecodesign feature provides energy saving when fast freezing function is not cancelled for any reason. Freezing capacity of your refrigerator is measured and declared while fast freezing function is active.

## Storing frozen food

Your freezer is suitable for the long-term storage of commercially frozen foods and also can be used to freeze and store fresh food. If there is a power failure, do not open the door. Frozen food should not be affected if the failure lasts for less than 16 hrs. If the failure is longer, then the food should be checked and either eaten immediately or cooked and then re-frozen.

## Freezing fresh food

Please observe the following instructions to obtain the best results.

Do not freeze too large a quantity at any one time. The quality of the food is best preserved when it is frozen right through to the core as quickly as possible.

If large amounts of fresh food are going to be frozen, adjust the control knob to „FAST FREEZE” position with 24 hours before putting the fresh food in the fast freeze compartment. It is strongly recommended to keep the knob at „FAST FREEZE” position at least 24 hours to freeze maximum amount of fresh food declared as freezing capacity. Take special care not to mix frozen food and fresh food.

Small quantities of food up to 1/2 kg. (1 lb) can be frozen without fast freezer function. Take special care not to mix already frozen food and fresh food.

## **Making ice cubes** (Item 6)

Fill the ice - cube tray 3/4 full with water and place it in the freezer. Loosen frozen trays with a spoon handle or a similar implement; never use sharp-edged objects such as knives or forks.

## **Getting to know your appliance** (Item 1)

- 1 - Control panel, display and adjustment
- 2 - Ice tray support and ice tray
- 3 - Compartment for quickly freezing
- 4 - Compartments for frozen foods keeping
- 5 - Adjustable front feet

## **Defrosting**

Please defrost the freezer compartment at least twice a year or when the ice layer is too thick.

- Ice build-up is a normal phenomenon.
- The ice build-up, especially in the upper side of the compartment is a natural phenomenon and does not affect the good functioning of the appliance.
- It is recommended to defrost the appliance when the quantity of frozen food is not too big.
- Before the defrosting set the adjusting thermostat button on the maximum position in order to strongly freeze the foods. During this time, the temperature in the refrigerator must not be too low.
  - Unplug the appliance
  - Take out the frozen foods, pack them in several paper sheets and put them in a cool place.
  - Let the door open for a quick defrosting and put inside vessels with warm water (max.80°C).

Do not use pointed or sharp-edged objects such as knives or forks to remove the frost. Never use hairdryers, electrical heaters or other such electrical appliances for defrosting. When defrosting has finished, close the defrosting part and dry the interior thoroughly **(Item 7 & 8)**.

## **Cleaning and care**

1. We recommend that you switch off the appliance at the socket outlet and pull out the mains plug before cleaning.
2. Never use any sharp instruments or abrasive substances, soap, household cleaner, detergent or wax polish for cleaning.
3. Use luke warm water to clean the cabinet of the appliance and wipe it dry.
4. Use a damp cloth wrung out in a solution of one teaspoon of bicarbonate of soda to one pint of water to clean the interior and wipe it dry.
5. If the appliance is not going to be used for a long period of time, switch it off, remove all food, clean it and leave the door ajar.
6. We recommend that you polish the metal parts of the product (i.e. door exterior, cabinet sides) with a silicone wax (car polish) to protect the high quality paint finish.
7. Any dust that gathers on the condenser, which is located at the back of the appliance, should be removed once a year with a vacuum cleaner.
8. Check door seals regularly to ensure they are clean and free from food particles.
9. Never:
  - Clean the appliance with unsuitable material; eg petroleum based products.
  - Subject it to high temperatures in any way,
  - Scour, rub etc., with abrasive material.
10. Excess deposit of ice should be removed regularly. Large accumulation of ice will impair the performance of the freezer.
11. To remove a drawer, pull it as far as possible, tilt it upwards and then pull it out completely.

## **Repositioning the door**

Proceed in numerical order **(Item 9)**.

**Do's and don'ts**

- Do-** Check contents of the freezer at regular intervals.
- Do-** Clean and defrost your appliance regularly (See "Defrosting")
- Do-** Keep food for as short a time as possible and adhere to "Best Before" and "Use By" dates.
- Do-** Store commercially frozen food in accordance with the instructions given on the packets.
- Do-** Always choose high quality fresh food and be sure it is thoroughly clean before you freeze it.
- Do-** Prepare fresh food for freezing in small portions to ensure rapid freezing.
- Do-** Wrap frozen food immediately after purchasing and put it in to the freezer as soon as possible.
- Do-** Separate food in the compartments and complete the contents card. This will enable you to find food quickly and avoid excessive door opening, which will save electricity.
- Don't-** Leave the door open for long periods, as this will make the appliance more costly to run and cause excessive ice formation.
- Don't-** Use sharp edged objects such as knives or forks to remove the ice.
- Don't-** Put hot food into the appliance. Let it cool down first.
- Don't-** Put liquid-filled bottles or sealed cans containing carbonated liquids into the freezer, as they may burst.
- Don't-** Store poisonous or any dangerous substances in your appliance. It has been designed for the storage of edible foodstuffs only.
- Don't-** Exceed the maximum freezing loads when freezing fresh food.
- Don't-** Consume ice-cream and water ices direct from the freezer. The low temperature may cause 'freezer burns' on lips.
- Don't-** Freeze fizzy drinks.
- Don't-** Try to keep frozen food which has thawed; it should be eaten within 24 hours or cooked and refrozen.
- Don't-** Remove items from the freezer with wet hands.
- Don't-** Close the door before replacing the fast-freeze compartment cover.

## Troubleshooting

If the appliance does not operate when switched on, check;

- That the plug is inserted properly in the socket and that the power supply is on. (To check the power supply to the socket, plug in another appliance)
- Whether the fuse has blown/circuit breaker has tripped/main distribution switch has been turned off.
- That the temperature control has been set correctly.
- That the new plug is wired correctly, if you have changed the fitted, moulded plug.

If the appliance is still not operating at all after above checks, contact the dealer from whom you purchased the unit.

Please ensure that above checks have been done, as a charge will be made if no fault is found.

## Information about operating noises

To keep the selected temperature constant, your appliance occasionally switches ON the compressor.

The resulting noises are quite normal.

As soon as the appliance has reached the operating temperature, the noises automatically reduce in volume.

The humming noise is emitted by the motor (compressor). When the motor switches ON, the noise may briefly increase in volume.

The bubbling, gurgling or whirring noise is emitted by the refrigerant as it flows through the pipes.

The clicking noise can always be heard when the thermostat switches ON/OFF the motor.

### **A clicking noise may occur when**

- the automatic defrosting system is active.
- the appliance is cooling down or warming up (material expansion).

**If these noises are excessively loud, the causes are probably not serious and are usually very easy to eliminate.**

### **The appliance is not level**

Use the height-adjustable feet or place packing under the feet.

### **The appliance is not free-standing**

Please move the appliance away from kitchen units or other appliances.

### **Shelves are loose or stick**


Please check the detachable components and, if required, refit them.

### **Warning!**

Do not attempt at any time to repair the appliance or its electric components yourself.

Any repair done by an unskilled person is dangerous for the user and can lead to warranty loss.



The symbol  on the product or on packaging indicates that this product may not be treated as household waste. Instead it shall be handed over to the applicable collection point for the recycling of electrical and electronic equipment. By ensuring this product is disposed of correctly, you will help prevent potential negative consequences for the environment and human health, which could otherwise be caused by inappropriate waste handling of this product. For more detailed information about recycling of this product, please contact your local city office, your household waste disposal service or the shop where you purchased the product.

Nous vous félicitons d'avoir choisi un Appareil de qualité BEKO conçu pour vous offrir de nombreuses années de service.

### **La sécurité d'abord !**

Ne connectez pas votre appareil à l'alimentation électrique avant d'avoir enlevé tous les emballages et protections de transport.

- Attendez au moins 4 heures avant de le brancher pour que l'huile du compresseur se stabilise s'il a été transporté couché.
- Si vous vous débarrassez d'un vieil appareil à ressort ou loquet intégré à la porte, prenez soin de le rendre hors de danger pour éviter que les enfants ne s'enferment à l'intérieur.
- L'utilisation de cet appareil s'applique uniquement à l'usage prévu.
- Ne vous débarrassez pas de l'appareil dans un feu. L'isolation de votre appareil contient des substances non CFC qui sont inflammables. Veuillez contacter les autorités locales pour obtenir des renseignements concernant la mise au rebut et les endroits existants.
- L'utilisation de cet appareil dans une pièce froide, non chauffée n'est pas recommandée. (garage, jardin d'hiver, annexe, abri, remise, etc.)

Afin d'obtenir le meilleur résultat possible et un fonctionnement sans encombres de votre appareil, veuillez lire ces instructions attentivement. Le non-respect de ces instructions pourrait annuler votre droit à l'assistance sans frais pendant la période de garantie.

Veuillez conserver ces instructions soigneusement à titre de référence pratique.

Les pièces détachées d'origine sont disponibles pendant 10 ans, à compter de la date d'achat du produit.

## **i** INFORMATIONS



SUPPLIER'S NAME

MODEL IDENTIFIER

(\*)

A

A

Vous pouvez accéder aux informations relatives au modèle telles que sauvegardées dans la base de données des produits en entrant le site internet suivant et en recherchant l'identifiant de votre modèle (\*) qui se trouve sur la vignette énergie

<https://eprel.ec.europa.eu/>

**Cet appareil ne sera pas utilisé par des personnes ayant capacités physiques, sensorielles ou mentales réduites, ou sans expérience concernant l'utilisation de l'appareil, si une personne responsable de leur sécurité ne les a pas instruites pour ce but.**

**Les enfants doivent être surveillés pour avoir la certitude qu'ils ne jouent pas avec l'appareil.**

## Conditions électriques

Avant de brancher l'appareil à la prise murale, vérifiez que la tension et la fréquence indiquées sur la plaque signalétique à l'intérieur de l'appareil correspondent à votre alimentation électrique.

Nous recommandons de connecter cet appareil au réseau électrique par le biais d'une prise dotée d'un commutateur et d'un fusible et placée de façon à être facile d'accès.

La prise doit être accessible après l'installation afin de permettre le débranchement de l'appareil du secteur.

### **Avertissement ! Cet appareil doit être branché à une borne de mise à la terre.**

Les réparations de l'appareillage électrique doivent être réalisées par des techniciens qualifiés. Si le câble d'alimentation est endommagé, il doit être remplacé par le constructeur ou le service clientèle afin d'écartier tout danger.

### **ATTENTION !**

Cet appareil fonctionne avec du R 600a, un gaz qui contribue à la protection de l'environnement mais qui est inflammable. Pendant le transport et l'installation du produit, veillez à ne pas endommager le système réfrigérant. Si le système réfrigérant est abîmé et qu'une fuite de gaz se produit, tenez l'appareil à l'écart des sources de flammes vives et aérer bien la pièce.

**AVERTISSEMENT** - N'utilisez pas d'outils mécaniques ou autres moyens pour accélérer le processus de décongélation autres que ceux qui sont recommandés par le fabricant.

**AVERTISSEMENT**- N'abîmez pas le circuit réfrigérant.

**AVERTISSEMENT**- Ne faites pas fonctionner d'appareils électriques à l'intérieur des compartiments de conservation de denrées, à moins qu'ils soient conformes au type d'appareils recommandés par le fabricant.

**AVERTISSEMENT**- Si le cordon d'alimentation est endommagé, celui-ci doit être remplacé par le fabricant, ses agents agréés ou tout autre agent qualifié afin d'être à l'abri de tout danger.

## Instructions de transport

1. L'appareil doit être transporté en position

debout uniquement. L'emballage fourni doit rester intact pendant le transport.

2. Si l'appareil a été couché pendant le transport, il ne doit pas être mis en service pendant au moins 4 heures pour permettre au système de se stabiliser.

3. Le non-respect des instructions ci-dessus pourrait endommager l'appareil et ne saurait engager la responsabilité du fabricant.

4. L'appareil doit être protégé contre la pluie, l'humidité et autres conditions atmosphériques.

### **Important !**

- Lors du nettoyage/déplacement de l'appareil, prenez soin de ne pas toucher les câbles métalliques du condenseur au dos de l'appareil, cela pouvant occasionner des blessures aux doigts et aux mains.
- N'essayez pas de vous asseoir ou de vous monter sur l'appareil, celui-ci n'étant pas prévu à cet effet. Vous pourriez vous blesser ou endommager l'appareil.
- Assurez-vous que le câble d'alimentation ne soit pas coincé sous l'appareil pendant et après son déplacement car cela pourrait endommager le câble.
- Veillez à ce que les enfants ne jouent pas avec l'appareil et ne touchent pas aux commandes.

## Instructions d'installation

1. N'installez pas votre appareil dans une pièce dont la température peut descendre en dessous de -15 degrés Celsius (5 degrés Fahrenheit) la nuit et/ou particulièrement en hiver. En effet, il est conçu pour fonctionner à des températures ambiantes comprises entre -15 et +43 degrés Celsius (5 et 109 degrés Fahrenheit). En cas de températures inférieures, l'appareil peut ne pas fonctionner correctement et réduire ainsi la durée de conservation des denrées.

2. Ne placez pas l'appareil à proximité de cuisinières, radiateurs ou à la lumière directe du soleil, car cela entraînerait un effort supplémentaire des fonctions de l'appareil. S'il est installé à côté d'une source de chaleur ou d'un congélateur, respectez les dégagements latéraux minimum suivants :

- des Cuisinières 30 mm
- des Radiateurs 300 mm
- des Congélateurs 25 mm



3. Assurez-vous de laisser suffisamment d'espace autour de l'appareil pour que l'air puisse circuler librement (**figure 2**).

• Placez la grille d'aération au dos de votre réfrigérateur pour établir la distance nécessaire entre le réfrigérateur et le mur (**figure 3**).

4. L'appareil doit être posé sur une surface lisse. Les deux pieds avant peuvent se régler si nécessaire. Pour s'assurer que votre appareil est à niveau, ajustez les deux pieds avant en tournant dans le sens des aiguilles d'une montre ou dans le sens inverse jusqu'à ce que l'appareil soit bien calé au sol. Le réglage approprié des pieds évite les vibrations excessives et le bruit (**figure 4**).

5. Référez-vous à la section « Nettoyage et Entretien » pour préparer votre appareil à l'emploi.

### **Commande de température et réglage**

La température du congélateur dépend de la position du bouton de réglage de la température du congélateur (**il est recommandé de le placer sur 2 ou 3**).

Généralement, cette température est inférieure à -18°C. Vous pouvez obtenir des températures plus basses en ajustant la commande du thermostat dans la direction de la Position MAX.

Nous vous conseillons de vérifier la température avec un thermomètre pour s'assurer que les compartiments de conservation soient maintenus à la température souhaitée. Pensez à lire la température sur le thermomètre immédiatement comme elle montera très rapidement après l'avoir sorti du congélateur. Veuillez vous rappeler que l'air froid s'échappe et la température interne monte à chaque ouverture de la porte. Ne laissez donc jamais la porte ouverte et assurez-vous de la fermer immédiatement après avoir introduit ou sorti des denrées.

### **Avant l'utilisation**

#### **Vérification finale**

Avant de commencer à utiliser le congélateur, vérifiez que :

1. Les pieds ont été ajustés et sont parfaitement à niveau.
2. L'intérieur est sec et l'air peut circuler librement derrière l'appareil.

3. L'intérieur est propre comme l'indique la section « NETTOYAGE ET ENTRETIEN ».

4. La prise de l'appareil est branchée à la prise murale et le courant passe. Évitez une coupure accidentelle en collant du ruban adhésif sur la prise.

#### **Et notez que :**

5. Vous remarquerez un bruit lorsque le compresseur se met en marche. Le liquide et les gaz intégrés au système du réfrigérateur peuvent également faire du bruit, que le compresseur soit en marche ou non. Ceci est tout à fait normal.

6. Pour congeler les produits frais, utilisez le compartiment indiqué par 4 étoiles (il est recommandé de le placer sur le second tiroir).

7. N'introduisez pas une trop grande quantité de denrées dans le congélateur à la fois. La qualité des denrées est bien préservée si elles sont entièrement congelées aussi rapidement que possible. Il est donc conseillé de ne pas dépasser le pouvoir de congélation de l'appareil indiqué sur la plaque signalétique. Le thermostat doit être réglé de façon à obtenir la température la plus basse dans le congélateur, le bouton de congélation rapide doit être activé et le témoin jaune doit clignoter.

8. Ne remplissez pas l'appareil immédiatement après l'avoir branché. Attendez que la bonne température de conservation soit atteinte. Nous vous conseillons de vérifier la température à l'aide d'un thermomètre précis (voir Commande de Température et Réglage).

#### **Remarque importante :**

En cas de panne de courant, n'ouvrez pas la porte. Les denrées surgelées ne devraient pas s'abîmer si la coupure dure moins de 16 heures. Si la panne dure plus longtemps, inspectez les denrées et mangez-les immédiatement ou bien faites-les cuire puis congélez-les à nouveau.

## **Bandeau de commande du congélateur**

### **Figure 5**

Le bandeau de commande contrôle la température du congélateur et dispose des fonctions suivantes :

#### **1 - LED orange - Congélation rapide active**

Lorsque vous tournez la molette de réglage de la température du congélateur en position "CONGÉLATION RAPIDE" (bouton 4), le LED orange (1) s'éclairera et l'appareil fonctionnera avec la température la plus basse. Le LED s'éteindra après 50 heures de fonctionnement de l'appareil en mode basse température.

#### **2 - LED verte - alimentation (tension)**

S'allume lorsque l'appareil est connecté au secteur et reste allumé tant qu'il est alimenté en électricité. La LED verte ne fournit aucune information sur la température à l'intérieur du congélateur.

#### **3 - LED rouge - Alarme de température élevée**

#### **4 - Bouton de réglage de fonctionnement**

##### **Alarme de température élevée**

Lorsque l'appareil a été allumé pour la première fois, l'alarme n'est pas active pendant 12 heures (la LED rouge est éteinte). Après cette période, la LED rouge peut s'allumer dans les cas suivants :

- Si l'appareil est surchargé de produits frais.
- Si la porte a été laissée ouverte par mégarde.

Dans ces cas, la LED rouge restera allumée jusqu'à ce que l'appareil atteigne la température prédéfinie.

Si la LED rouge est allumée, attendez 24 heures avant de contacter le service après vente agréé.

##### **Important :**

Les températures obtenues peuvent varier selon les conditions d'utilisation de l'appareil : emplacement, température ambiante, fréquence d'ouverture de la porte, quantité de denrées introduites. Le réglage de la température sera modifié en fonction de ces conditions.

Si la LED rouge est allumée, attendez 24 heures avant de contacter le service après vente agréé.

Des aliments chauds ont pu être introduits dans le congélateur et/ou la porte a été laissée ouverte.

Au bout de 24 heures, le voyant d'alerte de haute température (LED rouge) devrait s'éteindre.

#### **Fonction de congélation rapide**

Pour activer la fonction CONGÉLATION RAPIDE, veuillez positionner la molette de réglage de la température sur le mode "CONGÉLATION RAPIDE". Il est conseillé de ranger les aliments dont vous souhaitez une congélation rapide dans le compartiment de votre congélateur, 24 heures après que la fonction congélation rapide ait été activée. Aussi longtemps que la fonction congélation rapide est activée, votre réfrigérateur fonctionnera en mode température minimum pour le congélateur. La fonction congélation rapide dure 50 heures maximum. Une fois le processus achevé, votre réfrigérateur fonctionnera à nouveau sur un mode normal, avec un réglage de la température sur 3, et ce, même si la molette est toujours positionnée sur "CONGÉLATION RAPIDE". Cette approche d'écoconception a l'avantage d'économiser de l'énergie, au cas où vous omettriez de désactiver la fonction de congélation rapide. La capacité de congélation de votre réfrigérateur est mesurée et déclarée lorsque la fonction de congélation rapide est active.

#### **Conservation des denrées surgelées**

Votre congélateur est destiné à la conservation à long terme d'aliments surgelés du commerce et peut servir également à congeler et conserver des produits frais.

En cas de panne de courant, n'ouvrez pas la porte. Les denrées surgelées ne devraient pas s'abîmer si la coupure dure moins de 16 heures. Si la coupure est plus longue, inspectez les denrées et mangez-les immédiatement ou bien faites-les cuire puis congélez-les à nouveau.

## **Congeler les produits frais**

Veillez respecter les instructions suivantes afin d'obtenir les meilleurs résultats. Ne congélez pas une quantité trop importante à la fois. La qualité des aliments est préservée de façon optimale lorsqu'ils sont entièrement congelés aussi rapidement que possible.

Si vous vous apprêtez à congeler de grandes quantités de produits frais, positionnez le bouton de réglage sur le mode CONGÉLATION RAPIDE, 24 heures avant de ranger les produits frais dans le compartiment de congélation rapide.

Nous vous recommandons fortement de laisser la touche de congélation sur la position CONGÉLATION RAPIDE pendant au moins 24 heures pour congeler un volume maximal de produits frais correspondant au pouvoir de congélation stipulé. Faites très attention de ne pas mélanger les produits congelés avec les produits frais.

De petites quantités de nourriture ne dépassant pas 0,5 kg (1 lb) peuvent être congelées sans la fonction de congélation rapide.

Faites particulièrement attention à ne pas mélanger les produits déjà congelés et les produits frais.

## **Fabrication de glaçons (Figure 6)**

Remplissez les bacs à glaçons d'eau jusqu'aux  $\frac{3}{4}$  et introduisez les dans le congélateur. Dégagez les bacs à glaçons à l'aide du manche d'une cuillère ou outil similaire, n'utilisez jamais d'objets tranchants tels que des couteaux ou fourchettes.

## **Apprendre à connaître votre appareil (Figure 1)**

- 1 - Bandeau de commande, affichage et réglage
- 2 - Bac à glaçons et support
- 3 - Compartiment de congélation rapide
- 4 - Compartiment de conservation des denrées surgelées
- 5 - Pieds avant réglables

## **Dégivrage**

Veillez dégivrer le compartiment congélateur au moins deux fois par an ou lorsque la couche de glace est trop épaisse.

- La formation de glace est un phénomène normal.
- La formation de glace, notamment dans le compartiment supérieur, est normale et n'affecte pas le fonctionnement de l'appareil.
- Il est conseillé de dégivrer l'appareil lorsque la quantité de denrées surgelées n'est pas trop importante.
- Avant de procéder au dégivrage, réglez la commande du thermostat sur la position maximale de façon à bien congeler les denrées. Au cours de cette période, la température dans le réfrigérateur ne doit pas être trop basse.
  - Débranchez l'appareil
  - Sortez les denrées surgelées, enveloppez-les dans plusieurs feuilles de papier et mettez-les dans un endroit frais.
  - Laissez la porte ouverte pour accélérer le dégivrage et introduisez des récipients d'eau chaude (80°C maximum).

N'utilisez pas d'objets pointus ou tranchants tels que couteaux ou fourchettes pour enlever le givre.

N'utilisez jamais de sèche-cheveux, radiateurs électriques ou autres appareils électriques similaires pour dégivrer. Une fois le dégivrage terminé, séchez soigneusement l'intérieur (Figure 7 et 8).

## Nettoyage et entretien

1. Avant de procéder au nettoyage, veuillez déconnecter le réfrigérateur et débrancher la prise d'alimentation.
2. N'utilisez jamais d'ustensiles tranchants ni de substances abrasives, savon, produit de nettoyage domestique, détergent ou cirage pour le nettoyer.
3. Utilisez de l'eau tiède pour nettoyer la carrosserie et séchez soigneusement à l'aide d'un chiffon.
4. Utilisez un chiffon humide imbibé d'une solution composée d'une cuillère à café de bicarbonate de soude pour un demi litre d'eau pour nettoyer l'intérieur et séchez soigneusement.
5. En cas de non utilisation de l'appareil pendant une période prolongée, débranchez-le, sortez toutes les denrées, nettoyez-le et laissez la porte entrouverte.
6. Il est recommandé de polir les parties métalliques de votre appareil (extérieur de la porte, parois latérales de la carrosserie) à l'aide d'une cire en silicone (cire pour voiture) pour protéger la surface peinte de qualité supérieure.
7. Dépoussiérez le condenseur situé à l'arrière de l'appareil une fois par an à l'aide d'un aspirateur.
8. Inspectez les joints de porte régulièrement pour vérifier qu'ils sont propres et qu'il n'y a pas de particules de nourriture.
9. Ne jamais :
  - Nettoyer l'appareil au moyen d'un produit inadapté, à base de pétrole par exemple.
  - L'exposer à de hautes températures en aucune façon.
  - Récuser, frotter etc. avec un matériau abrasif.
10. Le dépôt excessif de glace doit être enlevé régulièrement. Une couche de glace trop épaisse diminuera les résultats du congélateur.
11. Pour sortir un tiroir, tirez-le vers vous autant que possible, soulevez-le et retirez-le ensuite complètement.

## Repositionnement de la porte

Procédez dans l'ordre numérique (**figure 9**).

## À faire / À éviter

- À faire-** Inspecter le contenu du congélateur à intervalles réguliers.
- À faire-** Nettoyer et dégivrer votre appareil régulièrement (voir « Dégivrage »).
- À faire-** Conserver les denrées pendant une durée aussi courte que possible et respecter les « dates limite de conservation » et « dates limite de consommation ».
- À faire-** Stocker les aliments surgelés dans le commerce selon les instructions indiquées sur les emballages.
- À faire-** Toujours Sélectionner des produits frais de bonne qualité et veiller à les nettoyer soigneusement avant de les congeler.
- À faire-** Préparer de petites portions de produits frais à congeler pour permettre une congélation rapide.
- À faire-** Emballer les produits surgelés juste après les avoir achetés et les mettre au congélateur dès que possible.
- À faire-** Répartir les denrées dans les compartiments et remplir la carte du contenu. Cela vous permettra de trouver les aliments rapidement et d'éviter d'ouvrir la porte trop longtemps, ce qui économisera de l'électricité.
- À éviter-** Laisser la porte ouverte pendant une durée prolongée car cela augmentera le coût de fonctionnement de l'appareil et entraînera un dépôt excessif de glace.
- À éviter-** Utiliser des objets tranchants tels que couteaux ou fourchettes pour enlever la glace.
- À éviter-** Introduire des aliments chauds dans l'appareil. Le laisser refroidir au préalable.
- À éviter-** Mettre des bouteilles remplies de liquide ou cannettes fermées hermétiquement contenant des liquides gazeux au congélateur car elles pourraient éclater.

- À éviter-** Conserver des substances toxiques ou dangereuses dans l'appareil. Ce dernier a été conçu pour la conservation de denrées alimentaires uniquement.
- À éviter-** Dépasser le pouvoir de congélation maximal lors de la congélation de produits frais.
- À éviter-** Consommer de la glace et des bâtonnets glacés dès leur sortie du congélateur. La basse température peut provoquer des brûlures aux lèvres.
- À éviter-** Congeler des boissons gazeuses.
- À éviter-** Conserver un produit congelé qui a été dégelé ; il doit être consommé sous 24 heures ou bien cuit puis recongelé.
- À éviter-** Sortir des produits du congélateur avec les mains mouillées.
- À éviter-** Fermer la porte avant de remettre le couvercle du compartiment congélation rapide en place.

### Diagnostic

Si l'appareil ne fonctionne pas quand il est branché, vérifiez :

- Que la prise de l'appareil est branchée correctement à la prise murale et que le courant passe (pour vérifier l'alimentation à la prise murale, branchez un autre appareil)
- Si le fusible a sauté/le disjoncteur s'est déclenché/l'interrupteur du réseau d'alimentation est éteint.
- Que la commande de température soit réglée correctement.
- Que la nouvelle prise soit montée correctement si vous avez changé la prise moulée intégrée.

Si l'appareil ne fonctionne toujours pas après avoir effectué toutes les vérifications ci-dessus, contactez le fournisseur qui vous a vendu le produit.

Veillez vous assurer d'avoir effectué toutes les vérifications ci-dessus car vous serez facturés si aucun défaut n'est détecté.

### Informations relatives aux bruits de fonctionnement

Afin de maintenir la température sélectionnée, votre appareil met le compresseur en marche de temps en temps.

Les bruits correspondants sont tout à fait normaux.

Dès que l'appareil atteint la température de fonctionnement, les bruits sont automatiquement atténués.

Le vrombissement est émis par le moteur (compresseur). Lorsque le moteur se met en marche, le volume sonore peut augmenter brièvement.

Les bruits de bouillonnement, de **gargouillement** ou de **ronronnement** sont émis par le réfrigérant lorsqu'il circule dans les tuyaux.

Un **bruit sec** se fait toujours entendre lorsque le thermostat enclenche/arrête le moteur.

#### Un bruit sec peut être émis lorsque

- le système de dégivrage automatique est activé.
- l'appareil se refroidit ou se réchauffe (expansion des matériaux).

**Si ces bruits sont excessivement forts, leurs causes ne sont probablement pas graves et peuvent être supprimées très facilement.**

#### L'appareil n'est pas à niveau

Utilisez les pieds ajustables ou insérez une cale sous le pied.

#### L'appareil n'est pas indépendant

Veillez séparer l'appareil des meubles de cuisine ou autres appareils.

#### Les clayettes sont desserrées ou coincées

Veillez vérifier les composants amovibles et les réinstaller, le cas échéant.

#### Avertissement !

N'essayez en aucun cas de réparer l'appareil ou l'un de ses composants électriques vous-même. Toute réparation effectuée par une personne non qualifiée est dangereuse pour l'utilisateur et peut entraîner l'annulation de la garantie.

**Recyclage**

Ce produit est marqué du symbole du tri sélectif, relatif aux déchets d'équipements électriques et électroniques. Cela signifie que ce produit doit être pris en charge par un système de collecte sélectif conformément à la directive européenne 2002/96/CE, afin de pouvoir être recyclé ou démantelé dans le but de réduire tout impact sur l'environnement. Attention les produits électroniques n'ayant pas fait l'objet d'un tri sélectif sont potentiellement dangereux pour l'environnement et la santé humaine en raison de la présence potentielle de substances dangereuses.

Gefeliciteerd met uw keuze voor een kwaliteitstoestel van BEKO, ontwikkeld voor vele jaren dienst.

### ***Veiligheid eerst!***

Sluit uw toestel niet op de stroomtoevoer aan totdat alle verpakking en transportbescherming werd verwijderd.

- Laat de koelkast, als ze horizontaal werd vervoerd, minstens 4 uur stilstaan alvorens ze in werking te stellen. Dit dient om de olie van de compressor te laten zakken.
- Als u een oud toestel met een slot of een klink aan de deur vervangt, zorg er dan voor dat het op een veilige manier wordt achtergelaten zodat kinderen er niet in opgesloten kunnen geraken.
- Dit toestel mag enkel worden gebruikt voor het doel waar het voor dient.
- Verbrand uw apparaat niet. Het apparaat bevat bestanddelen zonder C.F.K. in de isolatie. Deze zijn brandbaar. Wij raden u aan om de plaatselijke instanties te contacteren voor informatie over de beschikbare faciliteiten voor het verwijderen van uw toestel.
- Wij raden het gebruik van dit toestel af in een onverwarmde, koude ruimte. (bijv. garage, serre, aanbouw, schuurtje, bijgebouw, enz.)

Het is heel belangrijk deze instructies zorgvuldig te lezen om de best mogelijke en probleemloze werking van uw toestel te bewerkstelligen. Het niet opvolgen van deze instructies kan uw recht op gratis service tijdens de garantieperiode doen vervallen.

Gelieve deze instructies op een veilige plaats te bewaren voor eenvoudige raadpleging.



## INFORMATIE



# ENERG



SUPPLIER'S NAME

MODEL IDENTIFIER

→ (\*)

A

A

De informatie van het model zoals opgeslagen in de product-databank is toegankelijk op de onderstaande website. Zoek uw model identificatie (\*) vermeld op het energielabel.

<https://eprel.ec.europa.eu/>

**Dit toestel is niet geschikt voor gebruik door personen met fysische of mentale problemen of met een gebrek aan ervaring of kennis tenzij er toezicht of uitleg over het product gegeven wordt door de persoon die de verantwoordelijkheid over hun veiligheid draagt.**

**Kinderen moeten onder toezicht staan zodat ze niet met het toestel kunnen spelen.**

## Elektriciteitsvereisten

Vergewis u ervan, alvorens u de stekker in het stopcontact steekt, dat de voltage en de frequentie op de kwalificatieplaat binnenin het toestel overeenkomen met uw stroomtoevoer.

Wij raden u aan dit toestel aan te sluiten op de hoofdtoevoer via een naar behoren aangesloten en verzekerd stopcontact op een onmiddellijk bereikbare plaats.

Na plaatsing van het apparaat moet de stekker eenvoudig toegankelijk blijven, zodat het mogelijk is om het apparaat na installatie van de stroomtoevoer af te sluiten.

**Waarschuwing! Dit toestel moet worden geaard.**

Reparaties aan de elektrische apparatuur mogen alleen door gekwalificeerde deskundigen worden uitgevoerd. Als de stroomkabel beschadigd is, moet deze – om gevaar te voorkomen – door de fabrikant of klantenservice worden vervangen.

### OPGELET!

Dit toestel werkt op R600a. Dit is een milieuvriendelijk, maar brandbaar gas. Tijdens het transport en de plaatsing van het product moet er zorg voor worden gedragen dat het koelsysteem niet wordt beschadigd. Als het koelsysteem toch wordt beschadigd en er ontstaat een gaslek, houd het product dan verwijderd van open vuurbronnen en verlucht de kamer een tijdje.

**WAARSCHUWING** - Gebruik geen andere mechanische toestellen of andere middelen om het ontdooiingproces te versnellen dan die toestellen of middelen die door de fabrikant worden aangeraden.

**WAARSCHUWING** - Beschadig het koelcircuit niet.

**WAARSCHUWING** - Gebruik geen elektrische toestellen in de bewaarladen van het toestel, tenzij ze door de fabrikant worden aangeraden.

**WAARSCHUWING** - Indien het netsnoer beschadigd is, moet dit door de producent, de dealer of een ander gekwalificeerd persoon worden gerepareerd om gevaar te voorkomen.

## Transportinstructies

1. Het toestel mag enkel in staande positie

worden vervoerd. De oorspronkelijke verpakking moet intact blijven tijdens het transport.

2. Als het toestel tijdens het transport horizontaal werd geplaatst, mag het minstens gedurende 4 uur niet in werking worden gesteld zodat het systeem kan stabiliseren.

3. Het niet naleven van de bovenstaande instructies kan het toestel beschadigen.

Hiervoor kan de fabrikant niet verantwoordelijk worden gehouden.

4. Het apparaat moet worden beschermd tegen regen, vochtigheid en andere weersinvloeden.

### Belangrijk!

- Tijdens het schoonmaken/dragen van het toestel dient u ervoor te zorgen dat de metalen draden aan de onderkant van de condensor, die zich aan de achterkant van het toestel bevindt, niet worden aangeraakt. Deze kunnen vingers en handen kwetsen.

- Probeer niet bovenop het toestel te gaan zitten of staan, omdat het daar niet voor werd ontworpen. U zou zichzelf kunnen kwetsen of het toestel beschadigen.

- Zorg ervoor dat de hoofdkabel niet onder het toestel komt vast te zitten tijdens en na het verplaatsen ervan. Dit zou de kabel kunnen beschadigen.

- Laat kinderen niet met het toestel spelen of aan de knoppen komen.

## Installatie-instructies

1. Plaats uw toestel niet in een kamer waar de temperatuur 's nachts en/of vooral 's winters lager dan -15°C (50°F) kan worden. Het werd ontworpen voor een werking in een omgevingstemperatuur tussen -15°C en +43°C (5°F en 109°F). Bij lagere temperaturen zou het apparaat mogelijk niet kunnen werken. Dit zou de bewaartijd van de etenswaren verkorten.

2. Plaats het toestel niet in direct zonlicht of in de nabijheid van een fornuis of een radiator. Dit zou de functies van het toestel extra belasten. Als het toch naast een warmtebron of een diepvriezer wordt geplaatst, neem dan de volgende minimumafstanden in acht:

Van een fornuis 30 mm

Van een radiator 300 mm

Van een diepvriezer 25 mm



3. Zorg voor voldoende ruimte rond het toestel, zodat de lucht er vrij kan circuleren (**Afbeelding 2**).

• Bevestig het verluchtingstokje aan de achterkant van uw koelkast om de afstand tussen de koelkast en de muur te bepalen (**Afbeelding 3**).

4. Het toestel moet op een vlak oppervlak worden geplaatst. De twee voorste voetjes kunnen naar wens worden aangepast. Draai ze met of tegen de richting van de klok, totdat ze veilig en stevig de grond raken en uw toestel goed recht staat. Het juist afstellen van de voetjes voorkomt overdreven trillingen en lawaai (**Afbeelding 4**).

5. Raadpleeg het onderdeel "Schoonmaak en Onderhoud" om uw toestel klaar te maken voor gebruik.

### ***Opmeting en regeling van de temperatuur***

Met de instelknop voor de temperatuur van de diepvriezer kunt u de diepvriezertemperatuur aanpassen (**aanbevolen stand 2 of 3**).

Over het algemeen ligt deze temperatuur onder  $-18^{\circ}\text{C}$ . U kunt een lagere temperatuur verkrijgen door de thermostaatknop in de stand MAX te draaien.

We raden aan om de temperatuur met een thermometer te controleren om ervoor te zorgen dat de opslagvakken de gewenste temperatuur behouden. Lees de thermometer onmiddellijk af want de thermometertemperatuur zal zeer snel stijgen nadat u deze uit de vriezer genomen hebt. Vergeet niet dat telkens de deur wordt geopend, koude lucht ontsnapt en de interne temperatuur stijgt. Laat daarom de deur nooit open staan en sluit de deur onmiddellijk nadat voedsel verwijderd werd of erin werd geplaatst.

### ***Alvorens de inwerkingstelling***

#### ***Laatste controle***

Alvorens u de diepvriezer begint te gebruiken, controleer of:

1. De voetjes zo werden geregeld dat de koelkast perfect recht staat.
2. De binnenkant droog is en dat de lucht achteraan vrij kan circuleren.

3. De binnenkant proper is, zoals aanbevolen onder "SCHOONMAAK EN ONDERHOUD".

4. De stekker in het stopcontact zit en de elektriciteit is aangesloten. Vermijd een toevallige loskoppeling door de schakelaar vast te plakken.

#### ***Ter informatie:***

5. U zult een geluid horen wanneer de compressor opstart. De vloeistof en de gassen die zich in het koelsysteem bevinden, zouden ook wat lawaai kunnen veroorzaken en dit zowel wanneer de compressor aan het werken is of niet. Dit is normaal.

6. Om verse producten in te vriezen, gebruikt u het diepvriesvak dat voorzien is van vier sterren (tweede schap is hiervoor aanbevolen).

7. Plaats geen te grote hoeveelheid voedsel tegelijkertijd in de diepvries. De voedselkwaliteit wordt goed behouden als het op de kortst mogelijk tijd wordt ingevroren. Het is daarom verkieslijk om de vriescapaciteit van het toestel, weergegeven in "Toestelrecord", niet te overschrijden. De thermostaatknop moet worden afgesteld om de laagste temperatuur in de diepvriezer te verkrijgen, met de snelvries-functie geactiveerd en het oranje lampje verlicht.

8. Laad het toestel niet onmiddellijk, nadat het is aangeschakeld. Wacht tot de juiste bewaartemperatuur wordt bereikt. Wij raden u aan de temperatuur op te meten met een accurate thermometer (zie: Opmeting en regeling van de temperatuur).

#### ***Belangrijke opmerking:***

Open de deur niet in geval van een elektriciteitspanne. Ingevroren voedsel wordt niet aangetast indien de panne minder dan 16 uur duurt. Indien de panne langer duurt, moet het voedsel worden gecontroleerd en ofwel onmiddellijk worden opgegeten of worden bereid en opnieuw worden ingevroren.

## **Bedieningspaneel diepvriezer**

### **Afbeelding 5**

Met het bedieningspaneel kunt u de temperatuur in diepvriezer aanpassen en beschikt u over de volgende functies:

#### **1 - Oranje lampje - Fast freeze (snelvriezen) aan**

Als u de knop voor het instellen van de diepvriezertemperatuur (4) op de „FAST FREEZE”(snelvriezen)-stand zet, gaat het oranje lampje (1) branden en het apparaat werken onder de laagste temperatuurcondities. Het oranje LED stopt met branden na 50 uur werken onder de laagste temperatuurcondities.

#### **2 - Groene lampje - elektriciteit aan (Voltage)**

Dit lampje brandt wanneer het toestel op het netwerk is aangesloten en blijft branden zolang er stroomtoevoer is. Het groene lampje geeft geen informatie over de temperatuur binnenin de vriezer.

#### **3 - Rode lampje - Alarm Hoge Temperatuur**

#### **4 - Knop temperatuurinstelling**

##### **Alarm hoge temperatuur**

Nadat het toestel voor de eerste keer is ingeschakeld is het alarm gedurende 12 uur niet actief (rode lampje is uit).

Na deze periode kan het rode lampje in de volgende gevallen gaan branden (rode lampje aan):

- Als het toestel te vol is geladen met verse etenswaren
  - Als de deur onbedoeld is open blijven staan.
- In deze gevallen blijft het rode lampje branden totdat het toestel de vooraf ingestelde temperatuur weer heeft bereikt.

Als het rode lampje brandt, wacht dan 24 uur voordat u een geautoriseerde onderhoudsdienst belt.

##### **Belangrijk:**

De temperatuur die binnenin verkregen wordt, kan variëren afhankelijk van de gebruiksomstandigheden van het toestel: plaats, omgevingstemperatuur, frequentie van het openen van de deur, hoeveelheid voedsel in het toestel. De temperatuurinstelling wordt afhankelijk van deze omstandigheden aangepast.

Als het rode lampje brandt, wacht 24 uur voor u een erkend servicebedrijf contacteert.

Het zou het warme voedsel kunnen zijn dat in het toestel werd geplaatst en/of de deur die werd open gelaten.

Na 24 uur zou het alarm voor te hoge temperatuur (rode lampje) dan uit moeten zijn.

##### **Snelvriesfunctie**

Om de FAST FREEZING (snelvriezen)-functie te activeren, draait u de instelknop voor de temperatuur naar de „FAST FREEZE”(snelvriezen)-stand. Het wordt aanbevolen dat u het voedsel dat u sneller wilt invriezen in het vriesgedeelte plaatst 24 uur nadat u de snelvries-functie heeft geactiveerd. Als de snelvries-functie wordt geactiveerd, werkt uw koelkast op de laagste temperatuur voor de diepvriezer. De snelvries-functie werkt maximaal 50 uur. Na beëindiging schakelt uw koelkast terug naar de normale condities met een temperatuurinstelling van 3, zelfs als de knop op de „FAST FREEZE”(snelvriezen)-stand staat. Deze eco-ontwerpfunctie zorgt voor energiebesparing als de snelvries-functie om welke reden dan ook niet wordt geannuleerd. De vriescapaciteit van uw koelkast wordt gemeten en bepaald als de snelvries-functie actief is.

##### **Diepvriesproducten bewaren**

Uw diepvriezer is geschikt voor het langdurige bewaren van commercieel ingevroren etenswaren en kan ook worden gebruikt om verse etenswaren in te vriezen en te bewaren. Open de deur niet in geval van een elektriciteitspanne. De ingevroren etenswaren zouden niet mogen worden aangetast, als de panne minder dan 16 uur duurt. Als ze langer duurt, moeten de etenswaren worden nagekeken en ofwel onmiddellijk worden opgegeten, ofwel worden klaargemaakt en dan opnieuw ingevroren.

### **Verse etenswaren invriezen**

Gelieve de volgende instructies in acht te nemen om de beste resultaten te bereiken. Vries nooit een al te grote hoeveelheid in één keer in. De kwaliteit van het eten blijft het best geconserveerd wanneer het zo snel mogelijk goed tot in het hart wordt ingevroren.

Als u grote hoeveelheden verse producten gaat invriezen, draait u de bedieningsknop naar de „FAST FREEZE”(snelvriezen)-positie 24 uur voordat u de verse producten in het snelvriesgedeelte legt.

Het wordt sterk aanbevolen de knop minimaal 24 uur op de „FAST FREEZE”(snelvriezen)-stand te houden om de maximale hoeveelheid verse producten in te vriezen zoals bepaald in de vriescapaciteit. Zorg dat u geen diepvriesproducten met verse etenswaren mengt.

Kleine hoeveelheden etenswaren, tot ½ kg. (1 lb.), kunnen zonder de Fast Freeze-knop worden ingevroren.

Zorg er goed voor geen ingevroren producten te mengen met verse etenswaren.

### **Ijsblokjes maken (Afbeelding 6)**

Vul de vorm voor  $\frac{3}{4}$  met water en plaats hem in de diepvriezer. Maak aangevroren vormen los met het uiteinde van een lepel of een gelijkaardig instrument; gebruik nooit scherpe voorwerpen, zoals messen of vorken.

### **Uw toestel leren kennen (Afbeelding 1)**

- 1 - Bedieningspaneel, weergave en aanpassing
- 2 - Houder voor ijschaal en ijsschaal
- 3 - Lade voor snel invriezen
- 4 - Lade voor het bewaren van ingevroren etenswaren
- 5 - Verstelbare voetjes

### **Ontdooien**

We bevelen aan om het diepvriezergedeelte minstens tweemaal per jaar te ontdooien of wanneer de ijslaag te dik is.

- IJsaanslag is een normaal fenomeen.
- De ijsaanslag, vooral in het bovenste gedeelte van het vak, is een natuurlijk fenomeen en beïnvloedt de goede werking van het toestel niet.
- Het is aan te bevelen om het toestel te ontdooien wanneer de hoeveelheid ingevroren voedsel niet te groot is.
- Zet voor het ontdooien de thermostaatknop op de maximum positie om het voedsel diep in te vriezen. Tijdens deze tijd mag de temperatuur van de koelkast niet te laag zijn.
  - Trek de stekker uit het stopcontact.
  - Verwijder de diepgevroren etenswaren, verpak ze in verschillende lagen papier en plaats ze op een koude plaats.
  - Laat de deur open staan voor snel ontdooien en plaats in de kast potten met warm water (max. 80°C).

Gebruik geen puntige of scherpe voorwerpen, zoals messen of vorken, om het ijs te verwijderen.

Gebruik nooit haardrogers, elektrische verwarmingstoestellen of andere gelijkaardige elektrische toestellen om te ontdooien. Wanneer het ontdooien klaar is, sluit het ontdooigedeelte en droog de binnenkant grondig.

**(Afbeelding 7 & 8).**

## Schoonmaak en onderhoud

1. Wij raden u aan het toestel uit te schakelen aan het stopcontact en de hoofdstekker uit te trekken voor het schoonmaken.
2. Gebruik nooit scherpe instrumenten of schurende bestanddelen, zeep, huishoudproducten, afwasmiddel of boenwas om te poetsen.
3. Gebruik lauw water om het kabinet van het toestel schoon te maken en wrijf het droog.
4. Gebruik een vochtige doek, uitgewrongen in een oplossing van één koffielepel natriumbicarbonaat voor 50 cl water, om de binnenkant schoon te maken en wrijf vervolgens droog.
5. Als het toestel voor een lange periode niet zal worden gebruikt, schakel het dan uit, verwijder al de etenswaren, maak het schoon en laat de deur op een kier staan.
6. Wij raden u aan de metalen onderdelen van het product (d.i. de buitenkant van de deur, de wanden van de kast) op te poetsen met een siliconewas (autoboenwas) om de verfafwerking van hoge kwaliteit te beschermen.
7. Al het stof dat zich op de condensator nestelt, die zich achteraan het toestel bevindt, moet één keer per jaar met een stofzuiger worden verwijderd.
8. Kijk de deurgrendels regelmatig na om u ervan te vergewissen dat ze proper en vrij van etensresten zijn.
9. Nooit doen:
  - Maak het toestel nooit schoon met ongeschikt materiaal; vb. producten op basis van petroleum.
  - Stel het toestel nooit bloot aan hoge temperaturen op eender welke manier.
  - Schrob, wrijf, enz. nooit met schurend materiaal.
10. Overdreven ijsaanslag moet regelmatig worden verwijderd. Een grote ophoping van ijs zal afbreuk doen aan de prestatie van de diepvriezer.
11. Om een lade te verwijderen, trekt u hem zo ver mogelijk uit het toestel, licht u hem op en trekt u hem er vervolgens volledig uit.

## De deur verplaatsen

Ga te werk in de volgorde van de getallen (**Afbeelding 9**).

### Wel en niet doen

- Wel-** De inhoud van de diepvriezer regelmatig controleren.
- Wel-** Uw toestel regelmatig schoonmaken en ontdooien (Zie "Ontdooien")
- Wel-** Bewaar etenswaren zo kort mogelijk en houdt u aan de vervaldatum.
- Wel-** Bewaar diepvriesproducten volgens de instructies op de verpakking.
- Wel-** Opteer altijd voor verse etenswaren van hoge kwaliteit en zorg ervoor dat ze volledig proper zijn alvorens u ze invriest.
- Wel-** Verdeel in te vriezen verse etenswaren in kleine porties, zodat ze snel kunnen invriezen.
- Wel-** Pak diepvriesproducten onmiddellijk in na aankoop en plaats ze zo snel mogelijk in de diepvriezer.
- Wel-** Houd de voedingswaren gescheiden in de vakken en vul de inhoudkaarten in. Zo kunt u de voedingswaren snel vinden en vermijden om de deur te lang te openen waardoor u elektriciteit bespaart.
- Niet-** De deur voor een lange tijd open laten staan. Dit zal het toestel kostelijker maken en overdreven ijsaanslag veroorzaken.
- Niet-** Scherpe objecten, zoals messen of vorken, gebruiken om het ijs te verwijderen.
- Niet-** Warm eten in het toestel plaatsen. Laat het eerst afkoelen.
- Niet-** Flessen of luchtdichte blikken met koolzuurhoudende vloeistoffen in de diepvriezer plaatsen. Deze zouden namelijk kunnen barsten.
- Niet-** Giftige of gevaarlijke bestanddelen in uw koelkast bewaren. Het toestel werd namelijk enkel ontworpen voor het bewaren van eetbare producten.
- Niet-** De maximumlading overschrijden wanneer u verse etenswaren invriest.

- Niet-** Ijsjes of ijslolly's, die direct uit de diepvriezer komen, opeten. De lage temperatuur kan 'vriesbrandwonden' veroorzaken op de lippen.
- Niet-** Bruisende dranken diepvriezen.
- Niet-** Ingevroren etenswaren, die zijn ontdooid, proberen te bewaren; zij moeten binnen de 24 uur worden opgegeten of worden klaargemaakt en opnieuw ingevroren.
- Niet-** Items uit de diepvriezer nemen met natte handen.
- Niet-** De deur sluiten voor u het deksel van het snelvriesvak vervangt.

### **Problemen oplossen**

Als het toestel niet werkt wanneer het is aangeschakeld, controleer dan het volgende:

- Of de stekker goed in het stopcontact steekt en of de stroomtoevoer aanstaat. (Om de stroomtoevoer naar het stopcontact te testen, sluit u een ander toestel erop aan)
- Of de zekering is gesprongen / de stroomonderbreker is doorgeslagen / de hoofddistributie werd afgesloten.
- Of de temperatuurregeling juist werd ingesteld.
- Of de nieuwe stekker juist werd aangesloten, als u de aangeleverde standaardstekker heeft vervangen.

Als het toestel nog altijd niet werkt na alle bovenstaande controles, contacteer dan de verdeler van wie u het toestel heeft gekocht. Gelieve ervoor te zorgen dat de bovenstaande controles werden uitgevoerd, aangezien u de verplaatsing zal worden aangerekend als er geen fout wordt vastgesteld.

### **Informatie over de functiegeluiden**

Om de geselecteerde temperatuur constant te houden, schakelt uw toestel nu en dan de compressor AAN.

De resulterende geluiden zijn normaal.

Van zodra het toestel de gewenste temperatuur heeft bereikt, zullen de geluiden automatisch minder luid worden.

Het zoemende geluid wordt voortgebracht door de motor (compressor). Wanneer de motor wordt AANGESCHAKELD, kan het geluid even luider worden.

Het bubbelende, gorgelende of gonzende geluid wordt voortgebracht door de koelvloeistof, wanneer ze door de pijpen stroomt.

Het klikkende geluid kan altijd worden gehoord wanneer de thermostaat de motor AAN/UIT schakelt.

#### **Een klikkend geluid kan voorkomen wanneer**

- het automatische ontdooisysteem is actief.
- het toestel aan het afkoelen of aan het opwarmen is (materiaalexpansie).

**Als deze geluiden overdreven luid zijn, zijn de oorzaken ervan waarschijnlijk niet heel erg. Meestal kan dit heel eenvoudig worden opgelost.**

#### **Het toestel staat niet waterpas**

Gebruik de verstelbare voetjes of plaats verpakking onder de voetjes.

#### **Het toestel staat ergens tegenaan**

Plaats het toestel zo dat het niet tegen keukenkastjes of andere toestellen staat.


#### **Lades liggen los of kleven vast**

Kijk de verwijderbare onderdelen na en plaats ze opnieuw indien nodig.

#### **Waarschuwing!**

Probeer nooit om het toestel of zijn elektrische onderdelen zelf te repareren. Reparaties die worden uitgevoerd door een ongekwalificeerde persoon zijn gevaarlijk voor de gebruiker en kunnen tot garantieverlies leiden.



Het symbool  op het product of op de verpakking geeft aan dat het product niet als huishoudelijke afval kan worden behandeld. In plaats daarvan moet het worden afgegeven in het toepasselijke recyclagecentrum voor het recycleren van elektrische en elektronische apparaten. Door ervoor te zorgen dat dit product op de juiste manier wordt verwijderd, helpt u potentiële negatieve gevolgen te vermijden voor het milieu en de menselijke gezondheid, die anders veroorzaakt zouden kunnen worden door de verkeerde afvalbehandeling van dit product. Voor meer gedetailleerde informatie over het recycleren van dit product, neem contact op met de plaatselijke instanties, uw huishoudafvalverwerkingsdienst of de winkel waar u het product hebt aangekocht.

**i** *De garantie is geldig gedurende de verwachte levensduur.*



