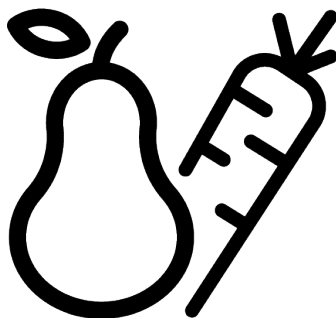


# beko

**Refrigerator** / User Manual  
**Refrigerador** / Manual del usuario  
**Frigorífico** / Manual do utilizador  
**Frigorifero** / Manuale Utente



B3RCNE564HW  
K70561NE

58 9713 0000/ EN/ ES/ PT/ IT/ AC\_1/2/ 22/11/23 08:37  
7295843701



CARTA RICICLATA E  
RICICLABILE



PAPEL RECICLADO E  
RECICLÁVEL



PAPEL RECICLADO Y  
RECICLABLE



RECYCLED &  
RECYCLABLE PAPER

## Please read this manual first!

Dear Customer

**Please read this manual before using the product.**

Thank you for choosing this Beko product. We would like you to achieve the optimal efficiency from this high quality product which has been manufactured with state of the art technology. To do this, carefully read this manual and any other documentation provided before using the product and keep it as a reference.

Heed all information and warnings in the user manual. This way, you will protect yourself and your product against the dangers that may occur.

Keep the user manual. Include this manual with the unit if you hand it over to someone else.

**The following symbols are used in the user manual:**



Hazard that may result in death or injury.



Important information or useful tips on operation.







Read the user manual.



Combustible material, warning against fire hazard.

NOTICE A hazard that may cause material damage to the product or its surroundings

  <b>SUPPLIER'S NAME</b> <b>MODEL IDENTIFIER</b> → (*)  	<p>The model information as stored in the product data base can be reached by entering following website and searching for your model identifier (*) found on energy label.</p> <p><a href="https://eprel.ec.europa.eu/">https://eprel.ec.europa.eu/</a></p>
--	--

<b>1</b>	<b>Safety Instructions.....</b>	<b>4</b>
1.1	Intention of Use .....	4
1.2	Safety of Children, Vulnerable Persons and Pets .....	4
1.3	Electrical Safety.....	5
1.4	Handling Safety .....	5
1.5	Installation Safety.....	6
1.6	Operational Safety.....	8
1.7	Food Storage Safety.....	10
1.8	Maintenance and Cleaning Safety	11
1.9	Disposal of the Old Product.....	12
<b>2</b>	<b>Environmental Instructions.....</b>	<b>12</b>
2.1	Compliance with the WEEE Dir- ective and Disposing of the Waste Product .....	12
<b>3</b>	<b>Your Refrigerator .....</b>	<b>13</b>
<b>4</b>	<b>Installation .....</b>	<b>13</b>
4.1	Right Place For Installation.....	14
4.2	Electrical Connection .....	14
4.3	Attaching the Plastic Wedges .....	14
4.4	Adjusting the Legs.....	15
4.5	Hot Surface Warning.....	15
<b>5</b>	<b>Preparation.....</b>	<b>15</b>
5.1	What To Do For Energy Saving .....	15
5.2	First Use .....	16
5.3	Climate Class and Definitions .....	16
<b>6</b>	<b>Operating the Product.....</b>	<b>16</b>
<b>7</b>	<b>Use of Your Appliance.....</b>	<b>17</b>
7.1	Control Panel of the Product .....	17
7.2	Storing Food in the Cooler Com- partment.....	18
7.3	Dairy Products Cold Storage Area	22
7.4	The ice storage area.....	22
7.5	Reversing the Door Opening Side.	23
7.6	Door Open Alert .....	23
7.7	Replacing the Illumination Lamp..	23
7.8	AeroFlow .....	23
<b>8</b>	<b>Maintenance and Cleaning .....</b>	<b>23</b>
<b>9</b>	<b>Troubleshooting .....</b>	<b>24</b>

## 1 Safety Instructions

- This section includes the safety instructions necessary to prevent the risk of personal injury or material damage.
- Our company shall not be held responsible for damages that may occur if these instructions are not observed.



Always have installation and repair operations performed by manufacturer, authorized service or a person who will be described by importer company.



Use original spare parts and accessories only.



Do not repair or replace any component of the product unless it is clearly specified in the user manual.



Do not perform any modifications on the product.

### 1.1 Intention of Use

- This product is not suitable for commercial use and should not be used for a purpose other than its intended use.
- This product is intended for operating interiors, such as households or similar.

For example;

In the staff kitchens of the stores, offices and other working environments,

In farm houses,  
In the units of hotels, motels or other resting facilities that are used by the customers,  
In hostels, or similar environments,  
In catering services and similar non-retail applications.

- This product shall not be used in open or enclosed external environments such as vessels, camper vans, balconies or terraces. Exposing the product to rain, snow, sunlight and wind may cause risk of fire.



### 1.2 Safety of Children, Vulnerable Persons and Pets

- This product may be used by children aged 8 years and older and persons with underdeveloped physical, sensory or mental capabilities or lack of experience and knowledge if they are being supervised or have been given instruction concerning use of the appliance in a safe way and the hazards involved.
- Children between 3 and 8 years are allowed to put and take out food into/from the cooler product.

- Children and pets must not play with, climb on, or get inside the product.
- Children and pets must be kept away from the cabin area (compressor) where electrical parts are located.
- Cleaning and user maintenance must not be performed by children unless there is someone overseeing them.
- Keep the packaging materials away from children. Risk of injury and suffocation.
- Portable multi-plugs or portable power supplies may overheat and cause fire. Thus, do not have a multi-plug, portable power sources behind or in the vicinity of the product.
- Do not plug the product's power cord in a loose or damaged power outlet. These types of connections may overheat and cause fire.
- The plug shall be easily accessible. If this is not possible, a mechanism that meets the electrical legislation and that disconnects all terminals from the mains (fuse, switch, main switch, etc.) shall be available on the electrical installation.

### 1.3 Electrical Safety

- The product shall not be plugged into the outlet during installation, maintenance, cleaning, repair, and transportation operations.
- If the power cable is damaged, it shall only be replaced by authorized service to avoid any risks that may occur.
- Do not tuck the power cable under the product or to the rear of the product. Do not put heavy items on the power cable. The power cable should not be bent, crushed, and come into contact with any heat source.
- Do not use an extension cord, multi-plug or adaptor to operate your product.
- The product must not be operated with an external switching device such as a timer, or a remote controlled system.
- Do not use the product when your feet are bare or your body is wet.
- Do not touch the plug with wet hands.
- When unplugging the appliance, don't hold the power cord, but the plug.

### 1.4 Handling Safety

- Make sure to unplug the appliance before carrying the product.

- This product is heavy, do not handle it by yourself. Injuries may occur if the product falls on you. Do not bump into places or drop the product while transporting it.
- Always close the doors and do not hold the product by its doors while transporting it.
- Be careful not to damage the cooling system and the pipes while handling the product. Do not operate the product if the pipes are damaged, and contact an authorized service.
- Check for any damage on the product before installing it. Do not have the product installed if it is damaged.
- Always use personal protective equipment (gloves, etc.) during product installation, maintenance and repair. Risk of Injury!
- Place the product on a clean, level and hard surface and balance it with the adjustable legs (by rotating the front feet to the right or left). Otherwise, the refrigerator may tip over and cause injuries.

## 1.5 Installation Safety

- Contact the Authorized Service for the product's installation. To prepare the product for use, see the information in the user manual and make sure the electric and water utilities are as required. If not, call a qualified electrician and plumber to arrange the utilities as necessary. Failure to do so may result in electric shock, fire, problems with the product, or injury.
- This product is designed for use at a maximum altitude of 2000 metres above sea level.
- Keep children away from installation area.
- The product shall be installed in a dry and ventilated environment. Do not keep carpets, rugs or similar covers under the product. This may cause risk of fire as a result of inadequate ventilation!
- Do not block or cover ventilation holes. Otherwise, power consumption increases and your product may be damaged.
- When placing the product, make sure that the supply cable is not damaged or pinched.
- The product must not be connected to supply systems and power sources which may cause sudden voltage changes (i.e. a portable solar-energy power source). Otherwise,

damage to your product may occur as a result of the abrupt voltage fluctuations!

- The more refrigerant a refrigerator contains, the bigger its installation room shall be. In very small rooms, a flammable gas-air mixture may occur in case of a gas leak in the cooling system. At least 1 m<sup>3</sup> of volume is required for each 8 grams of refrigerant. The amount of the refrigerant available in your product is specified in the Type Label.
- The product must never be placed in such a way that power cables, the metal hose of the gas stove, metal gas or water pipes come into contact with the product's rear wall (or the condenser).
- The installation place of the product must not be exposed to direct sunlight and it shall not be in the vicinity of a heat source such as stoves, radiators, etc. If you cannot prevent installation of the product in the vicinity of a heat source, use a suitable insulation plate and make sure the minimum distance to the heat source is as specified below:
  - At least 30 cm away from heat sources such as stoves, ovens, heating units and heaters, etc.,
  - And at least 5 cm away from electrical ovens.
- Your product has the protection class of I.
- Plug the product in a grounded socket that conforms with the Voltage, Current and Frequency values specified in the type label. The socket must have a 10A – 16A fuse. Our firm will not assume responsibility for any damages due to usage without earthing and without power connection in compliance with local and national regulations.
- The product's power cable must be unplugged during installation. Otherwise, risk of electric shock and injury may occur!
- Do not plug the product's power cord in loose, dislocated, broken, dirty, oily power outlets which have a risk of water contact. These types of connections may cause overheating and fire.
- Place the power cable and hoses (if any) of the product so that they shall not cause a risk of tripping over.

- Penetration of humidity and liquid to live parts or to the power cord may cause short circuit. Thus, do not use the product in humid environments or in areas where water may splash (e.g. garage, laundry room, etc.) If the refrigerator is wet by water, unplug it and contact an authorized service.
- Do not ever connect your refrigerator to power saving devices. These systems are harmful for the product.
- There is a risk of contact with electrical parts when removing the electronic board cover and the compressor rear cover (if fitted). Do not remove the electronic board cover and the compressor rear cover (if fitted). There is a risk of electrocution!
- Do not place a source of flame (e.g. candles, cigarettes, etc.) on the product or in the vicinity of it.
- Do not get on the product. Risk of falling and injury!
- Do not cause damage to the pipes of the cooling system using sharp and piercing tools. The refrigerant that sprays out in case of puncturing the gas pipes, pipe extensions or upper surface coatings may cause irritation of skin and injury to the eyes.
- Do not place and operate electrical appliances inside the refrigerator/freezer unless it is advised by the manufacturer.
- Do not jam any parts of your hands or your body to the moving parts inside the product. Be careful to prevent jamming of your fingers between the refrigerator and its door. Be careful while opening or closing the door if there are children around.
- Do not put ice cream, ice cubes or frozen food to your mouth as soon as you take them out of the freezer. Risk of frostbite!

## 1.6 Operational Safety

- Do not ever use chemical solvents on the product. These materials contain an explosion risk.
- In case of a failure of the product, unplug it and do not operate until it is repaired by the authorized service. There is a risk of electric shock!



- Do not touch the inner walls, metal parts of the freezer or food kept inside the freezer with wet hands. Risk of frost-bite!
- Do not place soda cans or cans and bottles that contain fluids that may be frozen to the freezer compartment. Cans or bottles may explode. Risk of injury and material damage!
- Do not use or place materials sensitive against temperature such as flammable sprays, flammable objects, dry ice or other chemical agents in the vicinity of the refrigerator. Risk of fire and explosion!
- Do not store explosive materials such as aerosol cans with flammable materials inside the product.
- Do not place cans containing fluids over the product an open state. Splashing of water on an electrical part may cause an electric shock or a fire.
- Due to risk of breaking, do not store glass containers with liquid inside in the freezer compartment.
- This product is not intended for storage and cooling of medicines, blood plasma, laboratory preparations or similar materials and products that are subject to the Medical Products Directive.
- If the product is used against its intended purpose, it may cause damage to or deterioration of the products stored inside.
- If your refrigerator is equipped with blue light, do not look at this light with optical devices. Do not stare directly at UV LED light for a long time. Ultraviolet rays may cause eye strain.
- Do not fill the product with more contents than its capacity. Injuries or damages may occur if the contents of the refrigerator fall when the door is opened. Similar problems may also occur when an object is placed over the product.
- Ensure that you have removed any ice or water that may have fallen to the floor to prevent injuries.
- Change the locations of the racks/bottle racks on the door of your refrigerator only when the racks are empty. Danger of injury!
- Do not place objects that may fall/tip over on the product. These objects may fall while opening or closing the door and cause injuries and/or material damages.

- Do not hit or exert excessive pressure on glass surfaces. Broken glass may cause injuries and/or material damages.
- The cooling system in your product contains R600a refrigerant. The refrigerant type used in the product is specified in the type label. This gas is flammable. Therefore, be careful not to damage the cooling system and the pipes while operating the product. In case of damage to the pipes;
  1. Do not touch the product or the power cable.
  2. Keep the product away from potential sources of fire that may cause the product to catch fire.
  3. Ventilate the area where the product is placed. Do not use a fan.
  4. Contact Authorized Service.

If the product is damaged and you observe gas leak, please stay away from the gas. Gas may cause frostbite if it contacts your skin.

Before disposing of old products that shall not be used any more:

  1. Unplug the power cord from the mains socket.
  2. Cut the power cable and remove it from the appliance together with the plug.
- 3. Do not remove the racks and drawers from the product to prevent children from getting inside the appliance.
- 4. Remove the doors.
- 5. Store the product so that it shall not be tipped over.
- 6. Do not allow children to play with the scrapped product.
- Do not dispose of the product by throwing it into fire. Risk of explosion.
- If there is a lock available on the product's door, keep the key out of children's reach.

### 1.7 Food Storage Safety

Please pay attention to the following warnings to avoid food spoilage:

- Leaving the doors open for a long time may cause the temperature inside the product to rise.
- Regularly clean the accessible drainage systems in contact with food.
- Clean the water tanks that have not been used for 48 hours and mains-fed water systems that have not been used for more than 5 days.
- Store raw meat and fish products in appropriate compartments within the product.

Thus, it does not drip on or come into contact with other foods.

- Two-star freezer compartments are used for storing pre-filled foods, making and storing ice and ice cream.
- One, two and three-star compartments are not appropriate for freezing fresh food.
- If the cooling product has been left empty for a long time, turn off the product, defrost, clean, and dry the product in order to protect the housing of the product.



## 1.8 Maintenance and Cleaning Safety

- Unplug the refrigerator before cleaning it or starting to perform maintenance.
- Do not pull by the door handle if you shall move the product for cleaning purposes. Handle may cause injuries if it is pulled too hard.
- Do not put your hands etc. under the refrigerator. Jamming may occur or any sharp edge may cause personal injuries.
- Do not clean the product by spraying or pouring water on the product and inside the product. Risk of electric shock and fire.
- When cleaning the product, do not use sharp and abrasive tools or household cleaning agents, detergent, gas, gasoline, thinner, alcohol, varnish, and similar substances. Use only cleaning and maintenance agents that are not harmful for food inside the product.
- Do not ever use steam or steamed cleaning materials for cleaning the product and thawing the ice inside it. Steam contacts the live areas in your refrigerator and causes short circuit or electric shock.
- Do not use any mechanical tools or any other tools than the recommendations of the manufacturer to speed up the defrost operation.
- Take care to keep water away from the ventilation holes, electronic circuits or lighting of the product.
- Use a clean, dry cloth to wipe the dust or foreign material on the tips of the plugs. Do not use a wet or damp piece of cloth to clean the plug. Otherwise, risk of fire or electric shock may occur.

### 1.9 Disposal of the Old Product

When disposing of your old product follow the instructions below:

- To prevent children from accidentally locking themselves into the product, if there is door lock, disable it.
- Splash of coolant is harmful to the eyes. Do not damage any part of the cooling system while disposing of the product.

- It may be fatal if the compressor oil is swallowed or if it penetrates the respiratory tract.
- Cooling system of your product includes R600a gas as specified in the type label. This gas is flammable. Do not dispose of the product by throwing it into fire. Risk of explosion!
- C-Pentane is used as a blowing agent in insulation foam and it is a flammable substance. Do not dispose of the product by throwing it into fire.

## 2 Environmental Instructions

### 2.1 Compliance with the WEEE Directive and Disposing of the Waste Product



This product complies with EU WEEE Directive (2012/19/EU). This product bears a classification symbol for waste electrical and electronic equipment (WEEE).

This symbol indicates that this product shall not be disposed with other household wastes at the end of its service life. Used device must be returned to official collection point for recycling of electrical and electronic devices. To find these collection systems please contact to your local authorities or retailer where the product was purchased. Each household performs important role in recovering and recycling of old appliance. Appropriate disposal of used

appliance helps prevent potential negative consequences for the environment and human health.

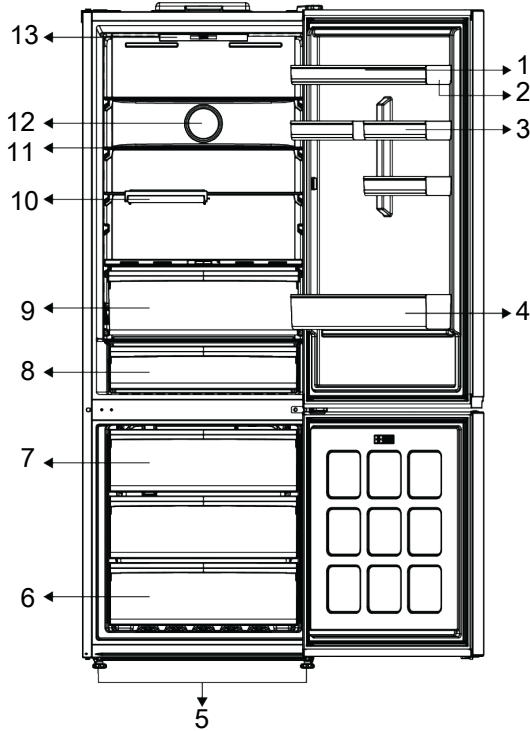
### Compliance with RoHS Directive

The product you have purchased complies with EU RoHS Directive (2011/65/EU). It does not contain harmful and prohibited materials specified in the Directive.



#### Package information

Packaging materials of the product are manufactured from recyclable materials in accordance with our National Environment Regulations. Do not dispose of the packaging materials together with the domestic or other wastes. Take them to the packaging material collection points designated by the local authorities.



- 1 Egg holder
- 2 Adjustable Door Shelf
- 3 \* Small Door Shelf
- 4 Bottle Shelf
- 5 Adjustable Stands
- 6 Freezer Compartment
- 7 Icebox container
- 8 Cold Storage Drawer
- 9 Crisper
- 10 \* Foldable shelf
- 11 Adjustable Shelf
- 12 Fan
- 13 Lighting

**\*Optional:** Figures in this user manual are schematic and may not exactly match your product. If your product does not comprise the relevant parts, the information pertains to other models.

### 4 Installation



Read the "Safety Instructions" section first!

## 4.1 Right Place For Installation

Contact the Authorized Service for the product's installation. To prepare the product for installation, see the information in the user manual and make sure the electric and water utilities are as required. If not, call an electrician and plumber to arrange the utilities as necessary.



### WARNING:

The manufacturer assumes no responsibility for any damages caused by the work carried out by unauthorized persons.



### WARNING:

The product's power cable must be unplugged during installation. Failure to do so may result in death or serious injuries!



### WARNING:

If the door span is too narrow for the product to pass, remove the door and turn the product sideways; if this does not work, contact the authorized service.

- Place the product on a flat surface to avoid vibration.
- Place the product at least 30 cm away from the heater, stove and similar sources of heat and at least 5 cm away from electric ovens.
- Do not expose the product to direct sunlight or keep it in damp environments.
- Your product requires adequate air circulation to function efficiently. If the product will be placed in an alcove, remember to leave at least 5 cm clearance between the product and the ceiling, rear wall and the side walls.
- Check if the rear wall clearance protection component is present at its location (if provided with the product).
- If the component is not available, or if it is lost or fallen, position the product so that at least 5 cm clearance shall be left between the rear surface of the product

and the wall of the room. The clearance at the rear is important for efficient operation of the product.

## 4.2 Electrical Connection



Do not use extension or multi sockets in power connection.



Damaged power cable must be replaced by Authorized Service.



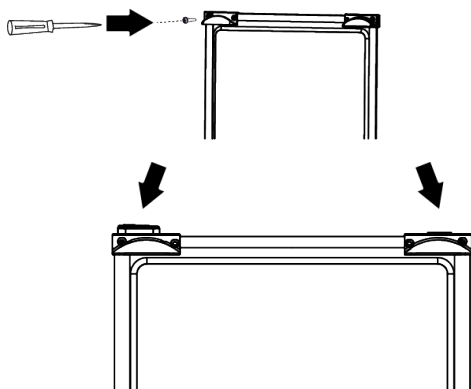
When placing two coolers in adjacent position, leave at least 4 cm distance between the two units.

- Our firm will not assume responsibility for any damages due to usage without earthing and power connection in compliance with national regulations.
- The power cable plug must be easily accessible after installation.
- Do not use multi-group plug with or without extension cable between the wall socket and the refrigerator.

## 4.3 Attaching the Plastic Wedges

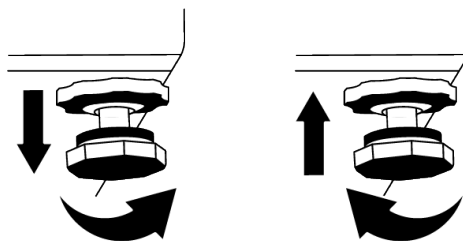
Use the plastic wedges provided with the product to maintain sufficient space for air circulation between the product and the wall.

1. To attach the wedges, remove the screws on the product and use the screws provided with the wedges.
2. Attach 2 plastic wedges on the ventilation cover as shown in the figure.



#### 4.4 Adjusting the Legs

If the product is not in balanced position, adjust the front adjustable legs by rotating them to right or left.




#### 4.5 Hot Surface Warning

The side walls of your product are equipped with cooler pipes to enhance the cooling system. High pressure fluid may flow through these surfaces, and cause hot surfaces on the side walls. This is normal and it does not require servicing. Be careful when you contact these areas.

## 5 Preparation

 Read the "Safety Instructions" section first!

### 5.1 What To Do For Energy Saving

 Connecting the product to electronic energy-saving systems is harmful, as it may damage the product.


- This refrigerating appliance is not intended to be used as a built in appliance.
- Do not keep the refrigerator doors open for long periods.
- Do not place hot food or beverages into the refrigerator.
- Do not overfill the refrigerator; blocking the internal air flow will reduce cooling capacity.
- Since hot and humid air will not directly penetrate into your product when the doors are not opened, your product will optimize itself in conditions sufficient to protect your food. Under these circumstances, functions and components such as compressor, fan, heater, defrost, lighting, display and so on will operate according to the needs by consuming minimum energy.
- In case that multiple options are present, glass shelves must be placed so that the air outlets at the rear wall are not blocked and preferably, in a way that air outlets remain below the glass shelf. This combination may help improving air distribution and energy efficiency.
- Using the below drawer when storing is strongly recommended.
- Depending on the product's features; defrosting frozen foods in the cooler compartment will ensure energy saving and preserve food quality.
- In order to load the maximum quantity of food into the freezer compartment of your refrigerator, the upper drawers may be taken out and the food should be placed onto the wire/glass shelves.
- Food shall be stored using the drawers in the cooler compartment in order to ensure energy saving and protect food in better conditions.


- Food packages shall not be in direct contact with the temperature sensor located in the freezer compartment.


## 5.2 First Use

Before using your refrigerator, make sure the necessary preparations are made in line with the instructions in "Safety and Environmental Instructions" and "Installation" sections.

- Keep the product running without placing any food inside for 6 hours and do not open the door, unless absolutely necessary.
- The temperature change caused by opening and closing of the door while using the product may normally lead to condensation on door/body shelves and glassware placed in the product.

 A sound will be heard when the compressor is engaged. It is normal for the product to make noise even if the compressor is not running, as fluid and gas may be compressed in the cooling system.

 It is normal for the front edges of the refrigerator to be warm. These areas are designed to warm up in order to prevent condensation.


 For some models, indicator panel turns off automatically 1 minute after the door closes. It will be re-activated when the door is opened or any button is pressed.

## 5.3 Climate Class and Definitions

Please refer to the Climate Class on the rating plate of your device. One of the following information is applicable to your device according to the Climate Class.

- **SN:** Long Term Temperate Climate: This cooling device is designed for use at ambient temperatures between 10 °C and 32 °C.
- **N:** Temperate Climate: This cooling device is designed for use at ambient temperatures between 16°C and 32 °C.
- **ST:** Subtropical Climate: This cooling device is designed for use at ambient temperatures between 16°C and 38°C.
- **T:** Tropical Climate: This cooling device is designed for use at ambient temperatures between 16°C and 43°C.

## 6 Operating the Product

 Read the "Safety Instructions" section first!

- Do not use any mechanical tools or any other tools than the recommendations of the manufacturer to speed up the defrost operation.
- Do not use parts of your refrigerator such as the door or drawers as a support or a step. This may cause the product to trip over or its components to be damaged.
- The product shall be used for storing food only.

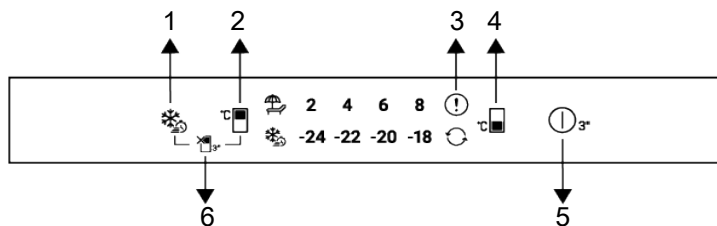
- Turn off the water valve if you will be away from home (e.g. at vacation) and you will not be using the Icematic or the water dispenser for a long period of time. Otherwise, water leaks may occur.

### Unplugging the Product

- If you are not going to use the product for a long time, unplug the product from the socket.
- Remove the food to prevent odours,
- Wait for the ice to melt, clean the interior and let it dry, leave the doors open to avoid damaging the inner body plastics.



### 7.1 Control Panel of the Product



- |  |  |
|--|--|
| <p>1 Quick Freezing Key</p> <p>3 Error Status Indicator</p> <p>5 Product Switch Off Button</p> | <p>2 Cooler Compartment Temperature Setting Key</p> <p>4 Freezer Compartment Temperature Setting Key</p> <p>6 Cooler Compartment Off (Vacation) Function Key</p> |
|--|--|



Read the "Safety Instructions" section first.

Auditory and visual functions on the indicator panel will assist you in using the refrigerator.

**\*Optional:** Shown functions are optional, there may be differences of shape and location in functions found on your appliance's indicator panel.

#### 1. Quick Freezing Key

When the quick freezing key is pressed the quick freezing symbol shall be illuminated and the quick freezing function shall be activated. The freezer compartment temperature is set to  $-27^{\circ}\text{C}$ . Press the key again to cancel the function. The quick freezing function shall be automatically cancelled after a while. To freeze a large amount of fresh food, press the quick freezing key before placing the food in the freezer compartment.

#### 2. Cooler Compartment Temperature

##### Setting Key

Allows setting of temperature for cooler compartment. Pressing the key will enable the cooler compartment temperature to be set at  $8,6,4,2^{\circ}\text{C}$ .

#### 3. Error Condition Indicator

This indicator is enabled when the refrigerator is not cooling sufficiently or when a sensor error occurs. The temperature indicators of the freezer and the refrigerator flash in certain combinations. This notifies the service about the error that has occurred. If you put hot food in the freezer compartment or leave the door open for a long time, the exclamation mark may light up for a while. This is not a fault, this warning will be removed when the food is cooled down or when any key is pressed.

#### 4. Freezer Compartment Temperature

##### Setting Key


Temperature setting is made for freezer compartment. The freezer compartment temperature can be set to  $-18,-20,-22,-24^{\circ}\text{C}$  by pressing the button.

#### 5. Product Switch Off Button

When this button is pressed for 3 seconds, the device switches to the off state. In this state, the refrigerator does not perform cooling; when the button is pressed again for 3 seconds, the refrigerator starts its normal operation.

## 6. Cooler Compartment Off (Vacation)

### Function Key

To activate the holiday function, press the button for 3 sec. The holiday mode is activated and the holiday icon ( lights up. All icons on the cooler compartment temperature indicator turn off and the cooler com-

partment does not perform active cooling. When this function is activated, you are advised against storing food in the refrigerating compartment. The other compartments continue to cool according to their set temperature. Press the key for 3 seconds again to cancel this function.

## 7.2 Storing Food in the Cooler Compartment

### Storing Food in the Cooler Compartment

- Compartment temperatures rise prominently if compartment door is opened and closed frequently and kept open for a long time, this can reduce the life span of the food and cause the food to spoil.
- In order not to cause odour and taste changes, the food should be stored in the closed containers.
- Do not store too much food in your refrigerator. To achieve a better and homogeneous cooling, place the food separately in a way that cold air can wander through them.
- Provide air flow by leaving a space between the food and internal wall. If you lean the food against the rear wall, the food may freeze.
- Bring cooked hot meals to the room temperature before placing them in the refrigerator. Then, you can place the tepid meal in the lower shelves of your refrigerator. Do not place the tepid meals close to the foods which may easily spoil.
- Especially pay attention not to mix the foods sold as frozen with the fresh foods.
- Defrost your frozen food in the fresh food compartment. Thereby, you can cool fresh food compartment by using frozen food and save energy.
- Storing unripe tropical fruits (mango, melon varieties, papaya, banana, pineapple) in the refrigerator may speed up the ripening process. This is not recommended because it will cause shorter storage time.
- You should store onions, garlicks, gingers and other root vegetables in dark and cold room conditions, not in the refrigerator.
- If you notice that a food has spoiled in the refrigerator, throw away that food and clean the accessories which have come into contact with it.
- In order to cool the meals like soups and stews, which are cooked in the large pots, quickly, you can put them in the refrigerator by separating them into their own shallow containers.
- Do not place unpackaged food close to eggs.
- Keep the fruits and vegetables separately and store each variety together (for example; apples with apples, carrots with carrots).
- Take green vegetables out of the plastic bag and place them in the refrigerator after wrapping them in a paper towel or drying cloth. If you wash this type of food before placing them in the refrigerator, remember to dry them.
- You can both create a damp environment and provide an air flow by keeping fruits and vegetables, which are prone to drying, in the perforated or unsealed plastic bags.
- Except the cases where extreme circumstances are available in the environment, if your product (on the recommended set values table) is set to the specified set values, the food keep their freshness for a longer time both in the fresh product compartment and freezer compartment.

Store Foods In The Different Places According To Their Properties:

Food	Location
Egg	Door Shelf
Dairy products (butter, cheese)	If available, zero degree (for breakfast food) compartment
Fruits, vegetables and greenery	Fruit-vegetable compartment, crisper or EverFresh+ compartment (if available)
Fresh meat, poultry, fish, sausage etc. Cooked foods	If available, zero degree (for breakfast food) compartment
Ready to serve foods, packaged products, canned foods and pickles	Top shelves or door shelf
Beverages, bottles, spices and snacks	Door Shelf

### Storing Food In The Freezer Compartment

- You can activate Quick Freezing function 4-6 hours before freezing function and perform a faster cooling.
- Bring hot meals to the room temperature before placing them in the freezer compartment.
- Foods to be frozen must be divided into portions according to a size to be consumed, and frozen in separate packages.
- It is recommended to pack the foods before placing them in the freezer.
- In order to prevent expiration of storage time, write the freezing date, time and name of the product on the package according to the storage times of different foods.
- Consume the foods you have defrosted quickly. Defrosted foods cannot be frozen again unless they are cooked. It is not safe to consume the refrozen fresh foods without cooking after they are defrosted.
- As you freeze fresh foods, do not bring them in contact with already frozen foods. Otherwise, frozen foods will be defrosted.

### Storing The Foods, Which Are Sold Frozen

- Always follow the instructions of the producer in relation to the time during which you are required to store your foods. Do not exceed the time specified in these instructions!

- In order to protect the quality of the food, keep the time interval between purchasing transaction and storing as short as possible.
- Buy frozen food which are stored at  $-18^{\circ}\text{C}$  or lower temperatures.
- Avoid buying foods whose packages are covered with ice etc. This means that the product could be partially defrosted and refrozen. Temperature impacts the quality of the food.
- Do not exceed the storing time recommended by the food producer. Remove only the food as much as you need from the freezer.
- Except the cases where extreme circumstances are available in the environment, if your product (on the recommended set values table) is set to the specified set values, the food keep their freshness for a longer time both in the fresh product compartment and freezer compartment.
- If fresh food compartment is set to a lower temperature, fresh fruits and vegetables may be partially frozen.
- The two-star compartments are suitable for pre-frozen food. Ice cream and ice cubes can be stored.
- Do not freeze food in compartments with one, two and three-stars.

Meat and Fish		Preparation		Longest storage time (month)	
Meat Products	Veal	Steak	By cutting them 2 cm thick and placing foil between them or wrapping tightly with stretch	6-8	
		Roast	By packing the pieces of meat in a refrigerator bag or wrapping them tightly with stretch	6-8	
		Cubes	In small pieces	6-8	
		Schnitzel, chops	By placing foil between cut slices or wrapping individually with stretch	6-8	
	Mutton	Chops	By placing foil between meat pieces or wrapping individually with stretch	4-8	
		Roast	By packing the pieces of meat in a refrigerator bag or wrapping them tightly with stretch	4-8	
		Cubes	By packing the shredded meats in a refrigerator bag or wrapping them tightly with stretch	4-8	
	Beef	Roast	By packing the pieces of meat in a refrigerator bag or wrapping them tightly with stretch	8-12	
		Steak	By cutting them 2 cm thick and placing foil between them or wrapping tightly with stretch	8-12	
		Cubes	In small pieces	8-12	
		Boiled meat	By packaging in small pieces in a refrigerator bag	8-12	
	Mince		Without seasoning, in flat bags	1-3	
	Offal (piece)		In pieces	1-3	
	Fermented sausage - Salami		It should be packaged even if it has casing.	1-3	
Jambon		By placing foil between cut slices	2-3		
Poultry and hunting animals	Chicken and Turkey		By wrapping in foil	4-6	
	Goose		By wrapping in foil (portions should not exceed 2.5 kg)	4-6	
	Duck		By wrapping in foil (portions should not exceed 2.5 kg)	4-6	
	Deer, Rabbit, Roe Deer		By wrapping in foil (portions should not exceed 2.5 kg, and their bones should be separated)	6-8	
Fish and seafood	Freshwater fish (Trout, Carp, Crane, Catfish)		After thoroughly cleaning the inside and scales, it should be washed and dried, and the tail and head parts should be cut when necessary.	2	
	Lean fish (Sea bass, Turbot, Sole)			4-6	
	Fatty fish (Bonito, Mackerel, Bluefish, Red Mullet, Anchovy)			2-4	
	Shellfish			Cleaned and in bags	4-6
	Caviar			In its packaging, in an aluminium or plastic container	2-3

"The storage times specified in the table are based on the storage temperature of -18°C. "

Fruits and Vegetables	Preparation	Longest storage time (month)
String bean and Pole bean	By shock boiling for 3 minutes after washing and cutting into small pieces	10-13
Green pea	By shock boiling for 2 minutes after shelling and washing	10-12
Cabbage	By shock boiling for 1-2 minute(s) after cleaning	6-8
Carrot	By shock boiling for 3-4 minutes after cleaning and cutting into slices	12
Pepper	By boiling for 2-3 minutes after cutting the stem, dividing into two and separating the seeds	8-10
Spinach	By shock boiling for 2 minutes after washing and cleaning	6-9
Leek	By shock boiling for 5 minutes after chopping	6-8
Cauliflower	By shock boiling in a little lemon water for 3-5 minutes after separating the leaves, cutting the core into pieces	10-12
Eggplant	By shock boiling for 4 minutes after washing and cutting into 2cm pieces	10-12
Squash	By shock boiling for 2-3 minutes after washing and cutting into 2cm pieces	8-10
Mushroom	By lightly sauteing in oil and squeezing lemon on it	2-3
Corn	By cleaning and packing in cob or granular	12
Apple and Pear	By shock boiling for 2-3 minutes after peeling and slicing	8-10
Apricot and Peach	Divide in half and extract the seeds	4-6
Strawberry and Raspberry	By washing and shelling	8-12
Baked fruit	By adding 10% sugar in the container	12
Plum, Cherry, Sour Cherry	By washing and shelling the stalks	8-12

"The storage times specified in the table are based on the storage temperature of -18°C. "

Dairy Products	Preparation	Longest Storage Time (Month)	Storage Conditions
Cheese (except feta cheese)	By placing foil therebetween, in slices	6-8	It can be left in its original packaging for short term storage. For long-term storage it should also be wrapped in aluminium or plastic foil.
Butter, margarine	In its own packaging	6	In its own packaging or in plastic containers

"The storage times specified in the table are based on the storage temperature of -18°C. "

"The amount of fresh food that can be frozen for a certain period of time is specified on the type label."

Freezer Compartment Setting	Cooler Compartment Setting	Remarks
-20°C	4°C	This is the default, recommended setting. This setting is recommended if ambient temperature is below 30°C.
-22 or -24 °C	4°C	These settings are recommended for ambient temperatures exceeding 30°C.
Quick Freeze	4°C	Use when you want to freeze your food in a short time. When the process ends, the product's settings will return to previous position.
-18°C or colder	2°C	Use these settings if you believe the cooler compartment is not cold enough due to ambient temperature or frequently opening the door.

### Freezer Details

As per the IEC 62552 standards, the freezer must have the capacity to freeze 4,5 kg of food items at -18°C or lower temperatures at 25°C room temperature in 24 hours for each 100 litres of freezer compartment volume.

Food products can only be preserved for extended periods at or below temperature of -18 °C.

You can keep the foods fresh for months (in freezer at or below temperatures of -18 °C).

The food products to be frozen must not contact the already-frozen food inside to avoid partial defrosting.

Boil the vegetables and filter the water to extend the frozen storage time. Place the food in air-tight packages after filtering and place in the freezer. Bananas, tomatoes, lettuce, celery, boiled eggs, potatoes and similar food items should not be frozen. In case these foods are frozen, only nutritional values and eating qualities will be negatively affected. A rotting that would threaten human health is not in question.

### Placing The Food

**Freezer compartment shelves:**Different frozen foods like meat, fish, ice cream, vegetables etc.

**Cooler compartment shelves:**Food items inside pots, capped plate and capped cases, eggs (in closed case)

**Cooler compartment door shelves:**Small and packaged food or beverages

**Crisper:**Vegetables and fruits

**Fresh food compartment:**Delicatessen (breakfast food, meat products to be consumed in short time)

## 7.3 Dairy Products Cold Storage Area

### Cold Storage Drawer

The Cold Storage Drawer can reach lower temperatures in the cooler compartment. Use this drawer for delicatessen products (salami, sausage, etc.) and dairy products that require colder storage conditions, or for meat, chicken or fish to be consumed quickly. It is not suitable to store fruits and vegetables in this drawer.

## 7.4 The ice storage area

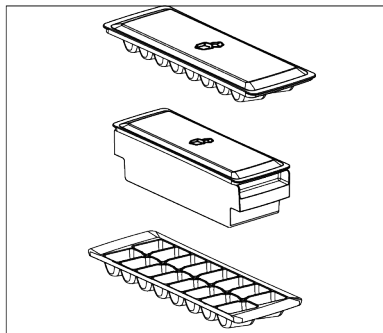
### Ice Container

Ice bucket allows you take ice easily from the refrigerator.

### Using the ice bucket

1. Take the ice bucket out of the freezer compartment.
2. Fill the ice bucket with water.
3. Place the ice bucket into the freezer compartment. The ice will be ready after approximately two hours.

- Take the ice bucket from the freezer compartment and bend in slightly over the holder that you are going to serve. Ice will easily pour into the serving holder.



### 7.5 Reversing the Door Opening Side

The door opening side of your refrigerator can be reversed according to the place you put it. When you need this, you should definitely call the nearest Authorized Service.

### 7.6 Door Open Alert

The door open alert system of your refrigerator may differ depending on the model.

#### Version 1;

If the door of the product remains open for a certain time (between 60 s and 120 s), an audio warning signal sounds; depending on the product model, a visual warning signal (light flash) can also be displayed. If you close the door of the device or press a button on the screen of the device, if any, the warning sound will stop.

#### Version 2;

If the door of the device remains open for a certain period of time (between 60 s and 120 s), the door open alert is sounded. The

door open alert is sounded gradually. First, an audible warning starts to sound. After 4 minutes, if the door is still not closed, a visual warning (lighting flash) is activated. The door open alert will be delayed for a certain period of time (between 60 s and 120 s) when any key on the product screen, if any, is pressed. Then the process will start again. When the device door is closed, the door open alert will be cancelled.

### 7.7 Replacing the Illumination Lamp

Call the Authorized Service when the Bulb/LED used for lighting in your refrigerator will be replaced.

Lamp(s) used in this appliance cannot be used for house lighting. Intended use of this lamp is to help the user place food into the refrigerator / freezer safely and comfortably.

### 7.8 AeroFlow

It is an air distribution system that provides homogeneous temperature distribution. With the air circulation, the homogeneous temperature distribution is ensured in the fresh food storage compartment, and the temperature fluctuations are kept at low levels. No direct air blowing over the food is realized and this helps to reduce moisture loss. It preserves the freshness of the food stored in the fresh food compartment of the refrigerator. In this way, your food is stored at more stable temperatures and the contact with air is reduced. The drying and shrinking of foods by losing moisture is prevented and freshness is provided for a longer time.

## 8 Maintenance and Cleaning



#### WARNING:

Read the "Safety Instructions" section first.



#### WARNING:

Unplug the refrigerator before cleaning it.

- Do not use sharp or abrasive tools to clean the product. Do not use materials such as household cleaning agents, soap, detergents, gas, gasoline, thinner, alcohol, wax, etc.
- The dust shall be removed from the ventilation grill on the rear of the product at least once a year (without opening the cover). Clean the product with a dry cloth.
- Take care to keep water away from the lamp's cover and other electrical parts.
- Clean the door with a damp cloth. Remove all contents to remove the door and body racks. Remove the door racks by lifting them upwards. Clean and dry the shelves, then attach back in place by sliding from above.
- Do not use chlorinated water or cleaning products on the exterior surface and chrome-coated parts of the product. Chlorine will cause rust on such metallic surfaces.
- Do not use sharp and abrasive tools, soap, house cleaning materials, detergents, gas, gasoline, varnish and similar substances to prevent deformation of the plastic part and removal of prints on the part. Use warm water and a soft cloth for cleaning, and then dry it.
- On the products without a No-Frost feature, water droplets and icing up to a thickness of a finger may occur on the rear wall of the freezer compartment. Do not clean, and never apply oils or similar materials.
- Use a mildly dampened micro-fibre cloth to clean the external surface of the product. Sponges and other types of cleaning clothes may cause scratches.
- To clean all removable components during the cleaning of the interior surface of the product, wash these components with a mild solution consisting of soap, water and carbonate. Wash and dry thoroughly. Prevent contact of water with illumination components and the control panel.


**CAUTION:**

Do not use vinegar, rubbing alcohol or other alcohol based cleaning agents on any interior surface.

**Stainless Steel External Surfaces**

Use a non-abrasive stainless steel cleaning agent and apply it with a soft lint-free cloth. To polish, gently wipe the surface with a micro-fibre cloth dampened with water and use dry polishing chamois. Always follow the veins of the stainless steel.

**Preventing Odours**

The product is manufactured free of any odorous materials. However, keeping the food in inappropriate sections and improper cleaning of internal surfaces may lead to odours.

- To avoid this, clean the inside with carbonated water every 15 days.
- Keep the foods in sealed holders, as micro-organisms arising from foods kept in unsealed containers will cause bad odour.
- Do not keep expired and spoiled foods in the refrigerator.

**Protecting Plastic Surfaces**

Oil spilled on plastic surfaces may damage the surface and must be cleaned immediately with warm water.

## 9 Troubleshooting

Check this list before contacting the service. Doing so will save you time and money. This list includes frequent complaints that are not related to faulty workmanship or materials. Certain features mentioned herein may not apply to your product.

**The refrigerator is not working.**

- The power plug is not fully settled. >>> Plug it in to settle completely into the socket.
- The fuse connected to the socket powering the product or the main fuse is blown. >>> Check the fuse.



### **Condensation on the side wall of the cooler compartment (MULTI ZONE, COOL CONTROL and FLEXI ZONE).**

- The door is opened too frequently. >>> Take care not to open the product's door too frequently.
- The environment is too humid. >>> Do not install the product in humid environments.
- Foods containing liquids are kept in unsealed holders. >>> Keep the foods containing liquids in sealed holders.
- The product's door is left open. >>> Do not keep the product's door open for long periods.
- The thermostat is set to a very cool temperature. >>> Set the thermostat to an appropriate temperature.

### **Compressor is not working.**

- In case of sudden power failure or pulling the power plug off and putting back on, the gas pressure in the product's cooling system is not balanced, which triggers the compressor thermic safeguard. The product will restart after approximately 6 minutes. If the product does not restart after this period, contact the service.
- Defrosting is active. >>> This is normal for a fully-automatic defrosting product. The defrosting is carried out periodically.
- The product is not plugged in. >>> Make sure the power cord is plugged in.
- The temperature setting is incorrect. >>> Select the appropriate temperature setting.
- The power is out. >>> The product will continue to operate normally once the power is restored.

### **The refrigerator's operating noise is increasing while in use.**

- The product's operating performance may vary depending on the ambient temperature variations. This is normal and not a malfunction.

### **The refrigerator runs too often or for too long.**

- The new product may be larger than the previous one. Larger products will run for longer periods.
- The room temperature may be high. >>> The product will normally run for long periods in higher room temperature.
- The product may have been recently plugged in or a new food item is placed inside. >>> The product will take longer to reach the set temperature when recently plugged in or a new food item is placed inside. This is normal.
- Large quantities of hot food may have been recently placed into the product. >>> Do not place hot food into the product.
- The doors were opened frequently or kept open for long periods. >>> The warm air moving inside will cause the product to run longer. Do not open the doors too frequently.
- The freezer or cooler door may be ajar. >>> Check that the doors are fully closed.
- The product may be set to a temperature that is too low. >>> Set the temperature to a higher degree and wait for the product to reach the adjusted temperature.
- The cooler or freezer door washer may be dirty, worn out, broken or not properly settled. >>> Clean or replace the gasket. Damaged / torn door washer will cause the product to run for longer periods to preserve the current temperature.

### **The freezer temperature is very low, but the cooler temperature is adequate.**

- The freezer compartment temperature is set to a very low degree. >>> Set the freezer compartment temperature to a higher degree and check again.

### **The cooler temperature is very low, but the freezer temperature is adequate.**

- The cooler compartment temperature is set to a very low degree. >>> Set the cooler compartment temperature to a higher degree and check again.

### **The food items kept in cooler compartment drawers are frozen.**

- The cooler compartment temperature is set to a very low degree. >>> Set the cooler compartment temperature to a higher degree and check again.

### **The temperature in the cooler or the freezer is too high.**

- The cooler compartment temperature is set to a very high degree. >>> Temperature setting of the cooler compartment has an effect on the temperature in the freezer compartment. Wait until the temperature of relevant parts reach the sufficient level by changing the temperature of cooler or freezer compartments.
- The doors were opened frequently or kept open for long periods. >>> Do not open the doors too frequently.
- The door may be ajar. >>> Fully close the door.
- The product may have been recently plugged in or a new food item is placed inside. >>> This is normal. The product will take longer to reach the set temperature when recently plugged in or a new food item is placed inside.
- Large quantities of hot food may have been recently placed into the product. >>> Do not place hot food into the product.

### **Shaking or noise.**

- The surface is not flat or durable >>> If the product is shaking when moved slowly, adjust the stands to balance the product. Also make sure the ground is sufficiently durable to bear the product.
- Any items placed on the product may cause noise. >>> Remove any items placed on the product.
- The product is making noise of liquid flowing, spraying etc.
- The product's operating principles involve liquid and gas flows. >>> This is normal and not a malfunction.

### **There is sound of wind blowing coming from the product.**

- The product uses a fan for the cooling process. This is normal and not a malfunction.

### **There is condensation on the product's internal walls.**

- Hot or humid weather will increase icing and condensation. This is normal and not a malfunction.
- The doors were opened frequently or kept open for long periods. >>> Do not open the doors too frequently; if open, close the door.
- The door may be ajar. >>> Fully close the door.

### **There is condensation on the product's exterior or between the doors.**

- The ambient weather may be humid, this is quite normal in humid weather. >>> The condensation will dissipate when the humidity is reduced.

### **The interior smells bad.**

- The product is not cleaned regularly. >>> Clean the interior regularly using sponge, warm water and carbonated water.
- Certain holders and packaging materials may cause odour. >>> Use holders and packaging materials without free of odour.
- The foods were placed in unsealed holders. >>> Keep the foods in sealed holders. Microorganisms may spread out of unsealed food items and cause bad odour.
- Remove any expired or spoiled foods from the product.

### **The door is not closing.**

- Food packages may be blocking the door. >>> Relocate any items blocking the doors.
- The product is not standing in full upright position on the ground. >>> Adjust the stands to balance the product.
- The surface is not flat or durable >>> Make sure the surface is flat and sufficiently durable to bear the product.

**The crisper is jammed.**

- The food items may be in contact with the upper section of the drawer. >>> Reorganize the food items in the drawer.

**Temperature on the product surface.**

- High temperature may be observed between two doors, on the side panels and on the rear grill area while your product is operated. This is normal and it does not require servicing.

**Fan continues to operate when the door is opened.**

- Fan may continue to operate when the freezer door is open.



**WARNING:** If the problem persists after following the instructions in this section, contact your vendor or an Authorized Service. Do not try to repair the product. This is normal.

**Packaging sorting information**

Please scan the QR code which places on the outer packaging of the product to find all the information relating to the packaging and how to manage the packaging waste.

**DISCLAIMER / WARNING**

Some (simple) failures can be adequately handled by the end-user without any safety issue or unsafe use arising, provided that they are carried out within the limits and in accordance with the following instructions (see the "Self-Repair" section).

Therefore, unless otherwise authorized in the "Self-Repair" section below, repairs shall be addressed to registered professional repairers in order to avoid safety issues. A registered Professional repairer is a professional repairer that has been granted access to the instructions and spare parts list of this product by the manufacturer according to the methods described in legislative acts pursuant to Directive 2009/125/EC.

**However, only the service agent (i.e. authorized professional repairers) that you can reach through the phone number given in the user manual/warranty card or through your authorized dealer may provide service under the guarantee terms. Therefore, please be advised that repairs by professional repairers (who are not authorized by) Beko shall void the guarantee.**

**Self-Repair**

Self-repair can be done by the end-user with regard to the following spare parts: door handles, door hinges, trays, bas-

kets and door gaskets (an updated list is also available support.beko.com as of 1st March 2021).

Moreover, to ensure product safety and to prevent risk of serious injury, the mentioned self-repair shall be done following the instructions in the user manual for selfrepair or which are available in support.beko.com . For your safety, unplug the product before attempting any self-repair. Repair and repair attempts by end-users for parts not included in such list and/or not following the instructions in the user manuals for self-repair or which are available in support.beko.com, might give raise to safety issues not attributable to Beko, and will void the warranty of the product.

Therefore, it is highly recommended that end-users refrain from the attempt to carry out repairs falling outside the mentioned list of spare parts, contacting in such cases authorized professional repairers or registered professional repairers. On the contrary, such attempts by end-users may cause safety issues and damage the product and subsequently cause fire, flood, electrocution and serious personal injury to occur.

By way of example, but not limited to, the following repairs must be addressed to authorized professional repairers or re-

gistered professional repairers:compressor, cooling circuit, main board,inverter board, display board, etc.

The manufacturer/seller cannot be held liable in any case where end-users do not comply with the above.

The spare part availability of the refrigerator that you purchased is 10 years.During this period, original spare parts will be available to operate the refrigerator properly  
The minimum duration of guarantee of the refrigerator that you purchased is 24 months.

This product is equipped with a lighting source of the "G" energy class.

The lighting source in this product shall only be replaced by Professional repairer.

See also

2 DISCLAIMER / WARNING [ ] 28]



# ¡Lea primero este manual!

Estimado cliente,

**Por favor, lea este manual antes de usar el aparato.**

Gracias por elegir este aparato de Beko. Nos gustaría que usted alcanzara la eficiencia óptima de este aparato de alta calidad que fue fabricado utilizando la tecnología más avanzada. A tal fin, antes de utilizar el aparato, lea detenidamente este manual y cualquier otra documentación que se le facilite y consérvela como referencia.

Preste atención a toda la información así como a las advertencias contenidas en el manual de usuario. Esto le permitirá protegerse a sí mismo y a su aparato contra los peligros que puedan surgir.

Guarde el manual de usuario. Incluya este manual con la unidad si se la entrega a otra persona.

**Los siguientes símbolos se utilizan en el manual del usuario:**



Peligro que puede provocar la muerte o lesiones.



Información importante o consejos útiles sobre el funcionamiento.







Lea el manual de instrucciones.



Material combustible, advertencia de riesgo de incendio.

AVISO Peligro que puede causar daños materiales al aparato o a su entorno

  <b>SUPPLIER'S NAME</b> <b>MODEL IDENTIFIER</b> → (*)  	<p>Se puede acceder a la información del modelo almacenada en la base de datos del aparato ingresando al siguiente sitio web y buscando el identificador de su modelo (*) que se encuentra en la etiqueta energética.</p> <p><a href="https://eprel.ec.europa.eu/">https://eprel.ec.europa.eu/</a></p>
--	--

	7.8	aeroflujo .....	52
<b>1</b>		<b>Instrucciones de seguridad .....</b>	<b>32</b>
1.1		Intención de uso .....	32
1.2		Seguridad de Niños, Personas Vulnerables y Mascotas.....	32
1.3		Seguridad eléctrica .....	33
1.4		Seguridad en el manejo .....	34
1.5		Seguridad de la instalación .....	34
1.6		Seguridad Operacional.....	36
1.7		Seguridad en el almacenamiento de alimentos .....	39
1.8		Seguridad de mantenimiento y limpieza.....	39
1.9		Desecho del Producto Usado .....	40
<b>2</b>		<b>Instrucciones medioambientales</b> .....	<b>40</b>
2.1		Cumplimiento de la Directiva RA-EE y eliminación del producto de desecho:.....	40
<b>3</b>		<b>El frigorífico .....</b>	<b>41</b>
<b>4</b>		<b>Instalación .....</b>	<b>42</b>
4.1		Lugar correcto para la instalación	42
4.2		Conexión eléctrica.....	42
4.3		Colocación de las cuñas de plástico.....	43
4.4		Ajuste de las patas.....	43
4.5		Advertencia de superficie caliente.....	43
<b>5</b>		<b>Preparación .....</b>	<b>43</b>
5.1		Qué hacer para ahorrar energía....	43
5.2		Uso de primera vez.....	44
5.3		Clase climática y definiciones .....	44
<b>6</b>		<b>Funcionamiento del producto .....</b>	<b>44</b>
<b>7</b>		<b>Uso de su electrodoméstico.....</b>	<b>45</b>
7.1		Panel de Control del Producto.....	45
7.2		Almacenamiento de alimentos en el compartimento de la nevera.....	46
7.3		Área de almacenamiento en frío de productos lácteos .....	51
7.4		Zona de depósito de hielo .....	51
7.5		Inversión del lado de apertura de la puerta .....	52
7.6		Alarma de puerta abierta .....	52
7.7		Sustitución de la lámpara de iluminación .....	52
<b>8</b>		<b>Mantenimiento y limpieza.....</b>	<b>53</b>
<b>9</b>		<b>Solución de problemas .....</b>	<b>54</b>



## 1 Instrucciones de seguridad

Esta sección incluye las instrucciones de seguridad necesarias para evitar riesgos de lesiones personales o daños materiales. Nuestra empresa no se hace responsable de los daños que puedan ocurrir de no seguir estas instrucciones.

Las operaciones de instalación y reparación deberán ser realizadas siempre por un servicio autorizado.

Utilice únicamente repuestos y accesorios originales.

Las piezas de repuesto originales se proporcionarán durante 10 años, a partir de la fecha de compra del producto.

No repare ni reemplace ningún componente del aparato a menos que esté claramente especificado en el manual del usuario.

No realice ninguna modificación en el producto.



### 1.1 Intención de uso

Este aparato no es apto para uso comercial y no debe usarse para otro fin que no sea el previsto. Este aparato está diseñado para usarse en interiores, en el hogar y lugares similares.

Por ejemplo:

- En las cocinas del personal de las tiendas, oficinas y otros entornos de trabajo,
- En casas de campo,
- En las unidades de hoteles, moteles u otras instalaciones de descanso que sean utilizadas por los clientes,
- En albergues, o ambientes similares,
- En servicios de catering y aplicaciones similares no minoristas.

Este aparato no se debe usar en entornos externos abiertos o cerrados, como embarcaciones, balcones o terrazas. Exponer el aparato a la lluvia, la nieve, la luz solar y el viento puede conllevar un riesgo de incendio.



### 1.2 Seguridad de Niños, Personas Vulnerables y Mascotas

- Este aparato puede ser utilizado por niños mayores de 8 años y personas con capacidades físicas, sensoriales o mentales subdesarrolladas o falta de experiencia y conocimiento si están bajo supervisión o han recibido instrucciones sobre el uso del aparato de manera segura y la peligros involucrados.



- A los niños entre 3 y 8 años se les permite poner y sacar alimentos del frigorífico.
- Los aparatos eléctricos son peligrosos para niños y mascotas. Los niños y los animales domésticos no deben jugar, subirse o entrar en el aparato.
- La limpieza y el mantenimiento por parte del usuario no deben ser realizados por niños, a menos que haya alguien que los supervise.
- Mantenga los materiales de embalaje fuera del alcance de los niños. Riesgo de lesiones y asfixia.

Antes de desechar aparatos viejos que ya no se utilizarán:

1. desenchufe el cable de corriente de la toma de corriente;
  2. Corte el cable de corriente y retírelo del aparato junto con el enchufe.
  3. no retire los estantes y cajones del aparato para así evitar que los niños entren en el aparato;
  4. retire las puertas;
  5. enclaustre el aparato para que no se vuelque;
  6. No permita que los niños jueguen con el aparato viejo;
- no destruya el aparato arrojándolo al fuego. Riesgo de explosión.
  - Si hay una cerradura disponible en la puerta del producto, mantenga la llave fuera del alcance de los niños.



### 1.3 Seguridad eléctrica

- El aparato no debe estar enchufado durante las operaciones de instalación, mantenimiento, limpieza y reparación.
- Si el cable de corriente está dañado, debe ser reemplazado únicamente por un servicio autorizado para evitar cualquier riesgo que pueda ocurrir.
- No meta el cable de corriente debajo del aparato o en la parte trasera del producto. No coloque objetos pesados sobre el cable de corriente. El cable de corriente no debe doblarse, aplastarse ni entrar en contacto con ninguna fuente de calor.
- No utilice un cable extensor, un enchufe múltiple o un adaptador en el funcionamiento de su aparato.
- Los enchufes múltiples portátiles o las fuentes de corriente portátiles pueden sobrecalentarse y provocar incendios. Por lo tanto, no tenga un enchufe múltiple detrás o cerca del aparato.
- El enchufe debe ser fácilmente accesible. Si esto no es posible, la instalación eléctrica de-

berá incluir un mecanismo que cumpla con la reglamentación eléctrica y que desconecte todos los terminales de la red eléctrica (fusible, interruptor, interruptor principal, etc.).

- No toque el enchufe con las manos mojadas.
- Al desenchufar el aparato, no sujete el cable de corriente, sino el enchufe.

#### 1.4 Seguridad en el manejo

- Asegúrese de desenchufar el aparato antes de transportar el producto.
- Este aparato es pesado, no debe ser manipulado por una sola persona. Puede sufrir lesiones si el producto se le cae encima. No golpee ni deje caer el producto durante el transporte.
- Cierre siempre las puertas y no sujete el producto por las puertas mientras lo transporta.
- Tenga cuidado de no dañar el sistema de enfriamiento y las tuberías mientras manipula el aparato. No utilice el aparato si los tubos están dañados y comuníquese con un Servicio autorizado.

#### 1.5 Seguridad de la instalación

- Contacte con el servicio técnico autorizado para la instalación del aparato. Consulte el manual de instrucciones a fin de preparar el aparato para su uso; asegúrese de que la instalación eléctrica y el suministro de agua son correctos. Si no es así, llame a un electricista y a un fontanero especializados para que se encarguen de los servicios necesarios. Si no lo hace, podría sufrir una descarga eléctrica, un incendio, problemas con el aparato o lesiones.
- Este aparato está diseñado para utilizarse a una altitud máxima de 2000 metros sobre el nivel del mar.
- Busque daños en el aparato antes de instalarlo. No instale el aparato si está dañado.
- Utilice siempre equipo de protección personal (guantes, etc.) durante la instalación, el mantenimiento y la reparación del aparato. ¡Riesgo de lesiones!
- Coloque el aparato sobre una superficie limpia, nivelada y dura y equilíbrela con las patas ajustables (girando los pies delanteros hacia la derecha o

hacia la izquierda). De lo contrario, el frigorífico podría volcarse y causar lesiones.

- El aparato deberá ser instalado en un ambiente seco y ventilado. No guarde alfombras, moquetas o cubiertas similares debajo del aparato. ¡Esto puede resultar en un riesgo de incendio debido a una ventilación inadecuada!
- No bloquee ni cubra los orificios de ventilación. De lo contrario, aumenta el consumo de energía y el aparato puede resultar dañado.
- Al colocar el aparato, asegúrese de que el cable de corriente no esté dañado ni pinzado.
- El aparato no debe conectarse a sistemas de suministro como el suministro de energía solar. De lo contrario, su aparato puede dañarse debido a cambios repentinos de voltaje.
- Cuanto más refrigerante contenga un frigorífico, más grande debe ser su espacio de instalación. En habitaciones muy pequeñas, puede producirse una mezcla inflamable de gas aire en caso de una fuga de gas en el sistema de enfriamiento. Se requiere al menos 1 m<sup>3</sup> de volumen por cada 8 gramos de refrigerante. La cantidad de refrigerante disponible en su aparato se especifica en la Etiqueta de tipo.
- El lugar de instalación del aparato no debe estar expuesto a la luz solar directa y no debe estar cerca de una fuente de calor como estufas, radiadores, etc. Si no puede evitar su instalación cerca de una fuente de calor, utilice una placa aislante adecuada y asegúrese de que la distancia mínima a la fuente de calor es la especificada a continuación:
  - Al menos 30 cm de distancia de fuentes de calor como estufas, hornos, calefactores y calefactores, etc.,
  - Y al menos 5 cm de distancia de hornos eléctricos.
- Su aparato tiene la clase de protección I.
- Enchufe el aparato en un enchufe con conexión a tierra que cumpla con los valores de voltaje, corriente y frecuencia especificados en la etiqueta de tipo. El enchufe debe tener un fusible de 10A – 16A. Nuestra empresa no asumirá responsabilidad alguna por daños debidos a un uso sin toma de tierra y sin conexión eléctrica conforme a la normativa local y nacional.

- El cable de corriente del aparato debe ser desenchufado durante la instalación. De lo contrario, puede producirse una descarga eléctrica y lesiones.
- No enchufe el cable de corriente del aparato en tomas sueltas, dislocadas, rotas, sucias, aceitosas y con riesgo de contacto con el agua. Este tipo de conexiones pueden provocar sobrecalentamiento e incendio.
- Coloque el cable de corriente y las mangueras (si las hubiera) del aparato de forma que no provoquen riesgo de tropiezo.
- La penetración de humedad y líquido en las piezas bajo tensión o en el cable de corriente puede provocar un cortocircuito. Por lo tanto, no use el aparato en ambientes húmedos o en áreas donde el agua pueda salpicar (por ejemplo, garaje, lavandería, etc.) Si el frigorífico está mojado por el agua, desenchúfelo y comuníquese con un Servicio autorizado para recibir instrucciones.
- Nunca conecte su frigorífico a dispositivos de ahorro energético. Estos sistemas son perjudiciales para el aparato.
- Existe riesgo de contacto con piezas eléctricas al retirar la cubierta de la placa electróni-

ca y la cubierta trasera del compresor (si está instalada). No retire la cubierta de la placa electrónica ni la cubierta trasera del compresor (si está instalada). Existe riesgo de electrocución.



## 1.6 Seguridad Operacional

- Nunca utilice disolventes químicos en el producto. Estos materiales contienen un riesgo de explosión.
- En caso de falla del aparato, desenchúfelo y no lo opere hasta que sea reparado por el Servicio autorizado. ¡Existe el riesgo de descarga eléctrica!
- No coloque una fuente de llamas (por ejemplo, velas, cigarrillos, etc.) sobre el aparato o cerca de él.
- No se suba en el aparato. ¡Riesgo de caídas y lesiones!
- No provoque daños en las tuberías del sistema de enfriamiento con herramientas afiladas y perforantes. El refrigerante que sale pulverizado en caso de perforar las tuberías de gas, las extensiones de tuberías o los revestimientos de la superficie superior puede causar irritación de la piel y lesiones en los ojos.

- No coloque ni ponga en funcionamiento aparatos eléctricos en el interior del frigorífico/ congelador a menos que así lo aconseje el fabricante.
- No atasque ninguna parte de sus manos o su cuerpo con las partes móviles dentro del aparato. Tenga cuidado de evitar que sus dedos se atasquen entre el frigorífico y su puerta. Tenga cuidado al abrir o cerrar la puerta si hay niños cerca.
- No lleve a su boca helado, cubitos de hielo o alimentos congelados en seguida de que los saque del congelador. ¡Peligro de congelación!
- No toque las paredes internas, las partes metálicas del congelador o los alimentos guardados dentro del congelador con las manos mojadas. ¡Peligro de congelación!
- No coloque latas de refresco o latas y botellas que contengan líquidos que puedan congelarse en el compartimiento del congelador. Las latas o botellas pueden explotar. ¡Peligro de lesiones y daños materiales!
- No use ni coloque materiales sensibles a la temperatura como aerosoles inflamables, objetos inflamables, hielo seco u otros agentes químicos cerca del frigorífico. ¡Peligro de incendio y explosión!
- No guarde materiales explosivos como latas de aerosol con materiales inflamables dentro del aparato.
- No coloque latas que contengan líquidos sobre el producto en estado abierto. Las salpicaduras de agua sobre una pieza eléctrica pueden provocar una descarga eléctrica o un incendio.
- Este aparato no ha sido diseñado para el almacenamiento y enfriamiento de medicamentos, plasma sanguíneo, preparaciones de laboratorio o materiales y productos similares sujetos a la Directiva de productos médicos.
- No usar el aparato para su propósito previsto, puede causar daños o deterioro de los productos que se guardan en su interior.
- Si su frigorífico está equipado con luz azul, no mire esta luz con dispositivos ópticos. No mire directamente a la luz LED UV durante mucho tiempo. Los rayos ultravioleta pueden causar fatiga visual.
- No llene el producto con un contenido superior a su capacidad. Pueden ocurrir lesiones

o daños si el contenido del frigorífico se cae cuando se abre la puerta. También pueden ocurrir problemas similares cuando se coloca un objeto sobre el producto.

- Asegúrese de haber eliminado el hielo o el agua que pueda haber caído al piso para evitar lesiones.
- Cambie la ubicación de las rejillas/rejillas para botellas en la puerta del frigorífico sólo cuando las rejillas estén vacías. ¡Existe peligro de dañarse!
- No coloque objetos que puedan caerse o volcarse sobre el producto. Estos objetos pueden caerse al abrir o cerrar la puerta y causar lesiones y / o daños materiales.
- No golpee ni ejerza una presión excesiva sobre las superficies de vidrio. Los vidrios rotos pueden causar lesiones y / o daños materiales.
- El sistema de enfriamiento de su aparato contiene refrigerante R600a. El tipo de refrigerante utilizado en el producto está especificado en la etiqueta de tipo. Este gas es inflamable. Por lo tanto, tenga cuidado de no dañar el sistema de enfriamiento y las tuberías mientras opera el aparato. En caso de daños a las tuberías:

1. No toque el aparato ni el cable de corriente.
2. Mantenga el aparato alejado de posibles fuentes de fuego que puedan provocar que el aparato se incendie.
3. Ventilar el área donde se coloca el producto. No use un ventilador.
4. Póngase en contacto con el servicio técnico autorizado.

Si el aparato está dañado y observa fugas de gas, manténgase alejado del gas. El gas puede causar congelación si entra en contacto con su piel.

Antes de desechar aparatos viejos que ya no se utilizarán:

1. desenchufe el cable de corriente de la toma de corriente;
  2. Corte el cable de corriente y retírelo del aparato junto con el enchufe.
  3. no retire los estantes y cajones del aparato para así evitar que los niños entren en el aparato;
  4. retire las puertas;
  5. enclaustre el aparato para que no se vuelque;
  6. No permita que los niños jueguen con el aparato viejo;
- no destruya el aparato arrojándolo al fuego. Riesgo de explosión.

- Si la puerta del producto dispone de cerradura, mantenga la llave fuera del alcance de los niños.

### 1.7 Seguridad en el almacenamiento de alimentos

Preste atención a las siguientes advertencias para evitar el deterioro de los alimentos:

- Dejar las puertas abiertas durante mucho tiempo puede hacer que aumente la temperatura en el interior del producto.
- Limpie regularmente los sistemas de drenaje accesibles en contacto con alimentos.
- Limpiar los depósitos de agua que no se hayan utilizado durante 48 horas y los sistemas de agua de red que no se hayan utilizado durante más de 5 días.
- Almacene los productos de carne y pescado crudos en compartimentos apropiados dentro del producto. Así, no gotea ni entra en contacto con otros alimentos.
- Los compartimentos congeladores de dos estrellas se utilizan para almacenar alimentos precargados, hacer y almacenar hielo y helados.

- Los compartimentos de una, dos y tres estrellas no son apropiados para congelar alimentos frescos.
- Si el frigorífico se ha dejado vacío durante mucho tiempo, apáguelo, descongélelo, límpielo y séquelo para proteger la carcasa del aparato.

### 1.8 Seguridad de mantenimiento y limpieza

- No tire de la manija de la puerta si va a mover el aparato para limpiarlo. La manija puede causar lesiones si se le tira con demasiada fuerza.
- No limpie el aparato rociando o vertiendo agua sobre el aparato y dentro del mismo. Riesgo de descarga eléctrica e incendio.
- Al limpiar el producto, no utilice herramientas afiladas y abrasivas ni productos de limpieza domésticos, detergentes, gas, gasolina, diluyentes, alcohol, barnices y sustancias similares. Utilice únicamente productos de limpieza y mantenimiento que no sean nocivos para los alimentos del interior del producto.
- Nunca utilice vapor o productos de limpieza al vapor para limpiar el aparato y desconge-

lar el hielo que contiene. El vapor entra en contacto con las áreas activas de su frigorífico y provoca un cortocircuito o una descarga eléctrica.

- Tenga cuidado de mantener el agua lejos de los circuitos electrónicos o la iluminación del aparato.
- Use un paño limpio y seco para limpiar el polvo o cualquier material extraño en las puntas de los enchufes. No utilice un paño húmedo o mojado para limpiar el enchufe. De lo contrario, puede producirse un incendio o una descarga eléctrica.

- Desconecte la cerradura de la puerta, si existe, para evitar que los niños se queden encerrados accidentalmente en el producto.
- Las salpicaduras de refrigerante son perjudiciales para los ojos. Al desechar el producto, no dañe ninguna pieza del sistema de refrigeración.
- La ingestión del aceite del compresor o su penetración en las vías respiratorias puede ser mortal.
- El sistema de enfriamiento de su producto incluye el gas R600a especificado en la placa de características. Este gas es inflamable. no destruya el aparato arrojándolo al fuego. ¡Riesgo de explosión!

## 1.9 Desecho del Producto Usado

A la hora de desechar el producto usado, respete las siguientes instrucciones:

## 2 Instrucciones medioambientales

### 2.1 Cumplimiento de la Directiva RAEE y eliminación del producto de desecho:



Este aparato cumple con la Directiva WEEE (RAEE) de la UE (2012/19/EU). Este aparato lleva un símbolo de la clasificación de los equipos eléctricos y electrónicos WEEE (RAEE).

Este símbolo indica que este aparato no debe desecharse con otros desechos domésticos al final de su vida útil. El aparato usado debe ser entregado en el punto de

recogida oficial para el reciclaje de aparatos eléctricos y electrónicos. Para encontrar estos puntos de limpieza, por favor, póngase en contacto con las autoridades locales o con la tienda en la que compró el aparato. Cada hogar desempeña un papel importante en la recuperación y el reciclaje de los aparatos viejos. La eliminación apropiada de los aparatos usados ayuda a prevenir posibles consecuencias negativas en el medio ambiente y la salud humana.



### Cumplimiento de la directiva RoHS

El aparato que ha adquirido cumple con la Directiva de UE RoHS (2011/65/UE). No contiene materiales nocivos ni prohibidos especificados en la Directiva.

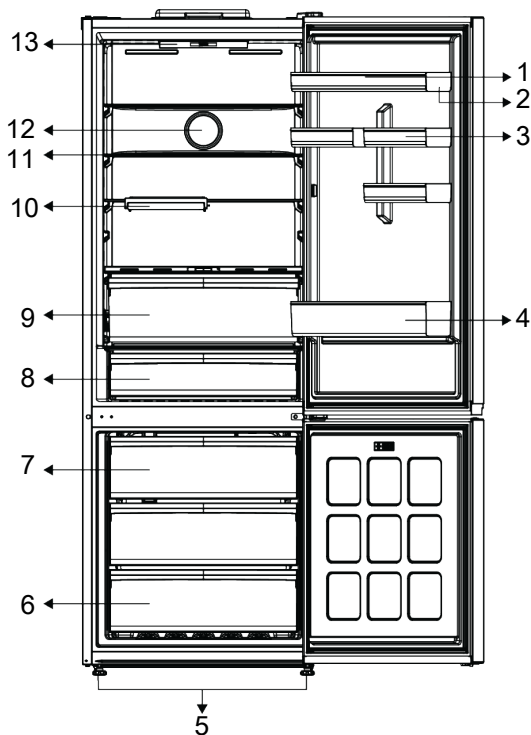


### Información de embalaje

Los materiales de embalaje del aparato se fabrican con material reciclable, de acuerdo con nuestra Reglamentación Nacional para el Medio Ambiente. No desechar el embalaje junto con la basura doméstica ni similares. Llévelos a los puntos de recolección de material de embalaje designados por las autoridades locales.

ES

## 3 El frigorífico



- |                               |                                   |
|-------------------------------|-----------------------------------|
| 1 Huevera                     | 2 Estante de puerta ajustable     |
| 3 * Estante de puerta pequeño | 4 Botellero                       |
| 5 Soportes ajustables         | 6 Congelador                      |
| 7 Cubitera                    | 8 Cajón de almacenamiento en frío |
| 9 Cajón de frutas y verduras  | 10 * Estante plegable             |
| 11 Estante ajustable          | 12 Ventilador                     |
| 13 Iluminación                |                                   |

\*Opcional: Las imágenes de este manual de usuario son esquemáticas; es posible que no coincidan exactamente con su pro-

ducto. Si el aparato no contiene las partes pertinentes, entonces la información pertenece a otros modelos.

## 4 Instalación



¡Primero lea la sección de "Instrucciones de Seguridad"!

### 4.1 Lugar correcto para la instalación

Contacte con el Servicio Autorizado para la instalación del producto. Para preparar el aparato para la instalación, consulte la información en el manual del usuario y asegúrese de que los servicios de electricidad y agua sean los necesarios. De lo contrario, llame a un electricista y plomero para organizar los servicios públicos según sea necesario.



#### ADVERTENCIA:

El fabricante no asume ninguna responsabilidad por los daños causados por el trabajo realizado por personas no autorizadas.



#### ADVERTENCIA:

El cable de corriente del aparato debe ser desenchufado durante la instalación. ¡El no hacerlo puede resultar en la muerte o lesiones graves!



#### ADVERTENCIA:

Si el espacio de la puerta es demasiado estrecho para que el aparato pase, quite la puerta y gire el aparato hacia los lados, y si esto no funciona, póngase en contacto con el servicio técnico autorizado.

- Coloque el aparato sobre una superficie plana para evitar vibraciones.
- Coloque el aparato al menos a 30 cm de distancia del calentador, estufa o fuentes de calor y por lo menos a 5 cm de distancia de hornos eléctricos.
- No exponga el aparato a la luz solar directa ni lo guarde en ambientes húmedos.

- Su aparato requiere una circulación de aire adecuada para funcionar eficientemente. Si el aparato va a ser colocado en un hueco, recuerde dejar al menos 5 cm de espacio entre el aparato y el techo, la pared trasera y las paredes laterales.
- Compruebe si el componente de protección de la parte trasera se encuentra colocado en su lugar (en caso de ser suministrado con el aparato).
- Si el componente no está disponible, o si se pierde o se cae, coloque el aparato de manera que quede un espacio libre, de al menos 5 cm, entre la superficie trasera del aparato y la pared de la habitación. El espacio libre en la parte trasera es importante para el funcionamiento eficiente del aparato.

### 4.2 Conexión eléctrica



No utilice alargadores de cables ni enchufes múltiples, en la conexión de corriente.



Un cable de corriente dañado deberá ser reemplazado por el Servicio Autorizado.



Al colocar dos frigoríficos en posición adyacente, deje al menos 4 cm de distancia entre las dos unidades.

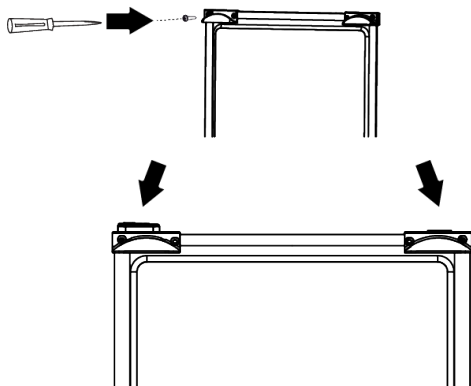
- Nuestra empresa no asumirá la responsabilidad de cualquier daño debido al uso sin conexión de tierra y a la electricidad en el cumplimiento de las normativas nacionales.
- El enchufe del cable de corriente debe ser de fácil acceso después de la instalación.

- No utilice un enchufe multigrupo con o sin cable de extensión entre la toma de pared y el frigorífico.

### 4.3 Colocación de las cuñas de plástico

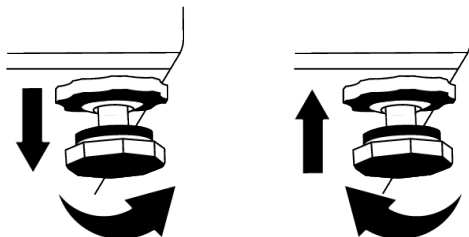
Utilice las cuñas de plástico provistas con el aparato para mantener suficiente espacio para la circulación de aire entre el aparato y la pared.

1. Para colocar las cuñas, quite los tornillos en el aparato y utilice los tornillos provistos con las cuñas.
2. Coloque 2 cuñas de plástico sobre la cubierta de la ventilación como se muestra en la figura.



### 4.4 Ajuste de las patas


Si el aparato no está en una posición equilibrada, ajuste las patas delanteras ajustables girándolas hacia la derecha o hacia la izquierda.




### 4.5 Advertencia de superficie caliente

En las paredes laterales de su aparato existen tubos de enfriamiento para mejorar el sistema de refrigeración. Es posible que el fluido a alta presión fluya a través de estas superficies y ocasione superficies calientes en las paredes laterales. Esto es normal y no requiere servicio. Tenga cuidado cuando toca estas áreas.

## 5 Preparación

 ¡Primero lea la sección de "Instrucciones de Seguridad"!

### 5.1 Qué hacer para ahorrar energía

 La conexión del aparato a sistemas de ahorro de energía electrónica es perjudicial, ya que puede dañar el aparato.

- Este aparato de refrigeración no está diseñado para ser utilizado como un aparato empotrado.
- No mantenga las puertas del refrigerador abiertas por largos periodos.
- No coloque alimentos ni bebidas calientes en el refrigerador.
- No llene demasiado el refrigerador, bloquear el flujo de aire interno reducirá la capacidad de enfriamiento.
- Como el aire caliente y húmedo no penetra directamente en su aparato cuando las puertas no están abiertas, su aparato se optimiza en condiciones suficientes para proteger su comida. En estas circunstancias, las funciones y los componentes como el compresor, el ventilador, la calefacción, el desescarche, la iluminación, la pantalla, etc., funcionarán según las necesidades consumiendo el mínimo de energía.
- En caso de que haya varias opciones, los estantes de cristal deben colocarse de forma que las salidas de aire en la pared

traseira no queden bloqueadas y, preferiblemente, de forma que las salidas de aire queden por debajo del estante de cristal. Esta combinación podría ayudar a mejorar la distribución del aire y la eficiencia energética.

- Se recomienda enfáticamente usar el cajón de abajo cuando se almacene.
- Dependiendo de las características del aparato, descongelar los alimentos congelados en el frigorífico garantizará el ahorro energético y preservará la calidad de los alimentos.
- Para cargar la cantidad máxima de alimentos en el compartimento congelador de su refrigerador, se pueden sacar los cajones superiores y colocar los alimentos en los estantes de alambre/vidrio.
- Para garantizar el ahorro de energía y proteger los alimentos en mejores condiciones los alimentos se almacenarán en los cajones del frigorífico.
- Los paquetes de alimentos no deben estar en contacto directo con el sensor de temperatura ubicado en el compartimento del congelador.

## 5.2 Uso de primera vez

Antes de usar su refrigerador, asegúrese de que se hayan realizado los preparativos necesarios de acuerdo con las instrucciones de las secciones "Instrucciones de seguridad y medio ambiente" e "Instalación".

- Mantenga el aparato en funcionamiento sin colocar comida en su interior durante 6 horas y no abra la puerta, a menos que sea absolutamente necesario.
- El cambio de temperatura causado por abrir y cerrar la puerta mientras se usa el aparato normalmente puede provocar condensación en los estantes de la puerta/cuerpo y la cristalería colocada en el producto.



Un sonido se escuchará cuando el compresor esté activado. Es normal que el aparato haga ruido incluso si el compresor no está funcionando, ya que el líquido y el gas pueden estar comprimidos en el sistema de refrigeración.



Es normal que los bordes delanteros del refrigerador se sientan cálidos. Estas áreas están diseñadas para calentarse con el fin de evitar la condensación.



Para algunos modelos, el panel indicador se apaga automáticamente 1 minuto después de que se cierra la puerta. Se reactivará cuando se abra la puerta o se presione cualquier botón.

## 5.3 Clase climática y definiciones

Consulte la clase climática en la placa de características de su dispositivo. Una de las siguientes informaciones es aplicable a su dispositivo según la clase climática.

- **Número de serie:** Clima templado a largo plazo: Este dispositivo de refrigeración está diseñado para su uso a temperaturas ambiente entre 10 °C y 32 °C.
- **NORTE:** Clima templado: Este dispositivo de refrigeración está diseñado para su uso a temperaturas ambiente entre 16 °C y 32 °C.
- **ST:** Clima subtropical: Este dispositivo de refrigeración está diseñado para su uso a temperaturas ambiente entre 16 °C y 38 °C.
- **T:** Clima tropical: Este dispositivo de refrigeración está diseñado para su uso a temperaturas ambiente entre 16 °C y 43 °C.

## 6 Funcionamiento del producto



¡Primero lea la sección de "Instrucciones de Seguridad"!

- Para agilizar la operación de descongelación, no utilice ninguna herramienta mecánica ni ninguna otra que no sea la recomendada por el fabricante.
- Las partes del frigorífico tales como la puerta y los cajones no se deben utilizar como soporte ni como escalón. Esto podría causar que el aparato se vuelque o que se dañen sus componentes.
- El aparato se utilizará solamente para almacenar alimentos.
- Cierre la válvula de agua si estará fuera de casa (por ejemplo, de vacaciones) y no utilizará el Icematic o el dispensador

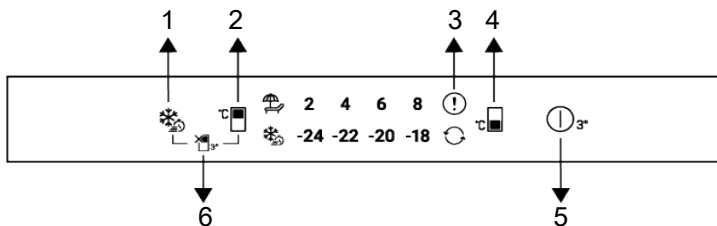
de agua durante un largo período de tiempo. En caso contrario, pueden producirse fugas de agua.

### Pausando el programa

- Si no va a utilizar el aparato durante mucho tiempo, desenchúfelo de la toma de corriente.
- Retire la comida para evitar olores.
- Espere a que se derrita el hielo, limpie el interior y déjelo secar, deje las puertas abiertas para no dañar los plásticos internos de la carrocería.

## 7 Uso de su electrodoméstico

### 7.1 Panel de Control del Producto



1 Botón de Congelación Rápida

3 Indicador de estado de error

5 Botón de apagado del aparato

2 Botón de ajuste de temperatura del frigorífico

4 Botón de ajuste de temperatura del congelador

6 Botón de función de apagado del frigorífico (modo Vacaciones)



En primer lugar, lea la sección "Instrucciones de seguridad".

Las funciones audiovisuales del panel de indicadores le ayudarán a usar el refrigerador.

**\*Opcional:** Las funciones mostradas son opcionales, puede haber diferencias de forma y ubicación en las funciones que se encuentran en el indicador de su aparato.

#### 1. Tecla de Congelación Rápida

Cuando se pulsa la tecla de congelación rápida, se iluminará el símbolo de congelación rápida y se activará la función de con-

gelación rápida. La temperatura del de congelación está ajustada a -27 °C. Pulse de nuevo la tecla para cancelar la función. La función de congelación rápida se cancelará automáticamente después de un tiempo. Para congelar una gran cantidad de alimentos frescos, pulse tecla de congelación rápida antes de colocar éstos en el congelador.

#### 2. Tecla de configuración de la temperatura del compartimento frigorífico

Permite ajustar la temperatura del frigorífico. Al pulsar la tecla se podrá programar la temperatura del frigorífico a 8,6,4,2 °C.

### 3. Indicador de Condición de Fallo

En caso de que el frigorífico no enfríe lo suficiente, o que haya algún error en los sensores, se encenderá este indicador. Los indicadores de temperatura del congelador y del frigorífico parpadean con determinadas combinaciones. Con esto se informa al servicio técnico de que se ha producido un error. Cuando ponga comida caliente en el congelador o la puerta quede abierta durante mucho tiempo, puede que se ilumine un signo de exclamación durante cierto tiempo. Este no es un fallo, esta advertencia desaparecerá cuando los alimentos se enfríen o cuando la tecla se pulsa.

### 4. Tecla de configuración de la temperatura del compartimento del congelador




El ajuste de la temperatura se hace para el congelador. Pulsando el botón, se podrá ajustar la temperatura del congelador a -18,-20,-22, y -24°C.

### 5. Botón de apagado del aparato

El aparato se apagará cuando se mantenga pulsado este botón durante 3 segundos. En este estado, el frigorífico no enfriará; al pulsar de nuevo durante 3 segundos el botón, empezará a funcionar normalmente.

### 6. Tecla de apagado del compartimento frigorífico (vacaciones)

Para activar la función vacaciones, pulse el botón 3 seg. Se activará el modo vacaciones y se encenderá el indicador correspondiente (). Todos los íconos en el indicador de temperatura del compartimento frigorífico se apagan y el compartimento frigorífico no realiza un enfriamiento activo. Al activar esta función, no se recomienda en absoluto guardar comida en el frigorífico. Los demás compartimentos siguen enfriándose según las temperaturas que se hayan fijado. Pulse otra vez la tecla durante 3 segundos para cancelar esta función.

## 7.2 Almacenamiento de alimentos en el compartimento de la nevera

### Almacenamiento de alimentos en el compartimento de la nevera

- La temperatura del compartimento aumenta considerablemente si la puerta del compartimento se abre y se cierra con frecuencia y se mantiene abierta durante mucho tiempo, lo que puede reducir la vida útil de los alimentos y hacer que se estropeen.
- Para que no se produzcan cambios de olor y sabor, los alimentos deben almacenarse en los recipientes cerrados.
- No almacene demasiados alimentos en el refrigerador. Para conseguir un enfriamiento mejor y homogéneo, coloque los alimentos por separado de forma que el aire frío pueda circular por ellos.
- Proporcione un flujo de aire dejando un espacio entre los alimentos y la pared interna. Si apoya los alimentos contra la pared posterior, éstos pueden congelarse.
- Lleve los alimentos calientes cocinados a la temperatura ambiente antes de colocarlos en el refrigerador. A continuación, puede colocar la comida tibia en los estantes inferiores de su refrigerador. No coloque las comidas tibias cerca de los alimentos que pueden estropearse fácilmente.
- Sobre todo, preste atención a no mezclar los alimentos que se venden como congelados con los frescos.
- Descongele los alimentos congelados en el compartimento de alimentos frescos. De este modo, podrá enfriar el compartimento de alimentos frescos con los congelados y ahorrar energía.
- Almacenar las frutas tropicales no maduras (mango, variedades de melón, papaya, plátano, piña) en el refrigerador puede acelerar el proceso de maduración. Esto no es recomendable porque acortaría el tiempo de almacenamiento.

- Las cebollas, los ajos, los jengibres y otras hortalizas de raíz deben almacenarse en condiciones de oscuridad y en cámaras frigoríficas, no en el refrigerador.
- Si observa que un alimento se ha estropeado en el refrigerador, tire ese alimento y limpie los accesorios que hayan estado en contacto con él.
- Para enfriar rápidamente las comidas como sopas y guisos, que se cocinan en las ollas grandes, puedes ponerlas en el refrigerador separándolas en sus propios recipientes poco profundos.
- No coloque alimentos sin envasar cerca de los huevos.
- Guarda las frutas y verduras por separado y almacena cada variedad junta (por ejemplo; las manzanas con las manzanas, las zanahorias con las zanahorias)
- Sacar las verduras verdes de la bolsa de plástico y colócalas en el refrigerador después de envolverlas en una toalla de papel o un paño para secarlas. Si lavas este tipo de alimentos antes de meterlos en el refrigerador, recuerda secarlos.
- Puede crear un ambiente húmedo y proporcionar un flujo de aire guardando las frutas y verduras, que son propensas a secarse, en las bolsas de plástico perforadas o sin cerrar.
- Excepto en los casos en los que se den circunstancias extremas en el entorno, si su producto (en la tabla de valores recomendados) está ajustado a los valores de ajuste especificados, los alimentos mantienen su frescura durante más tiempo tanto en el compartimento de productos frescos como en el del congelador.

Almacene los alimentos en los diferentes lugares según sus propiedades:	
Alimentos	Ubicación
Huevo	Estante de puerta
Productos lácteos (mantequilla, queso)	Si está disponible, compartimento de grado cero (para alimentos de desayuno)
Frutas, verduras y hortalizas	Compartimento para frutas y verduras, cajón de verduras o Compartimento EverFresh+ (si está disponible)
Carne fresca, aves, pescado, embutidos, etc. Alimentos cocinados	Si está disponible, compartimento de grado cero (para alimentos de desayuno)
Alimentos listos para servir, productos envasados, alimentos enlatados y encurtidos	Estantes superiores o estante de la puerta
Bebidas, botellas, especias y aperitivos	Estante de puerta

### Almacenamiento de alimentos en el compartimento del congelador

- Puede activar la función de congelación rápida 4-6 horas antes de la función de congelación y realizar un enfriamiento más rápido.
- Lleve las comidas calientes a la temperatura ambiente antes de colocarlas en el compartimento del congelador.
- Los alimentos que se van a congelar deben dividirse en porciones según el tamaño que se va a consumir, y congelarse en paquetes separados.
- Se recomienda empaquetar los alimentos antes de colocarlos en el congelador.
- Para evitar la caducidad del tiempo de almacenamiento, escriba en el envase la fecha de congelación, la hora y el nombre del producto según los tiempos de almacenamiento de los diferentes alimentos.
- Consuma rápidamente los alimentos que haya descongelado. Los alimentos descongelados no pueden volver a congelarse si no se cocinan. No es seguro consumir los alimentos frescos recongelados sin cocinar una vez descongelados.
- Al congelar alimentos frescos, no los ponga en contacto con alimentos ya congelados. De lo contrario, los alimentos congelados se descongelarán.

### **Guardar comida ya congelada**

- Siga siempre las instrucciones del productor en relación con el tiempo de conservación de los alimentos. No sobrepase el tiempo especificado en estas instrucciones.
- Para proteger la calidad de los alimentos, mantenga el intervalo de tiempo entre la transacción de compra y el almacenamiento lo más corto posible.
- Compre los alimentos congelados que se almacenan a  $-18\text{ }^{\circ}\text{C}$  o a temperaturas inferiores.
- Evite comprar alimentos cuyos envases estén cubiertos de hielo, etc. Esto significa que el producto podría estar parcialmente descongelado y vuelto a congelar. La temperatura influye en la calidad de los alimentos.
- No sobrepase el tiempo de almacenamiento recomendado por el productor del alimento. Saque del congelador sólo los alimentos que necesite.
- Excepto en los casos en los que se den circunstancias extremas en el entorno, si su producto (en la tabla de valores recomendados) está ajustado a los valores de ajuste especificados, los alimentos mantienen su frescura durante más tiempo tanto en el compartimento de productos frescos como en el del congelador.
- Si el compartimento de productos frescos se ajusta a una temperatura más baja, las frutas y verduras frescas pueden congelarse parcialmente.
- Los compartimentos de dos estrellas son adecuados para alimentos precongelados. Se pueden almacenar helados y cubitos de hielo.
- No congele alimentos en los compartimentos con una, dos y tres estrellas.



Carne y Pescado		Preparación	Tiempo máximo de almacenamiento (mes)	
Productos cárnicos	Ternera	Carne de res	Cortarlos en grosor de 2 cm y colocar papel de aluminio entre ellos o envolverlos herméticamente con película estirable.	6-8
		Asado	Embalar los trozos de carne en bolsas de refrigerador o envolverlos herméticamente con película estirable	6-8
		Cubos	En piezas pequeñas	6-8
		Milanesa, chuleta	Colocar papel de aluminio entre rodajas cortadas o envolver cada una de ellas con película estirable	6-8
	Carne de cordero	Chuletas	Colocar papel de aluminio entre piezas de carne o envolver cada una de ellas con película estirable	4-8
		Asado	Embalar los trozos de carne en bolsas de refrigerador o envolverlos herméticamente con película estirable	4-8
		Cubos	Embalar carne machacada en una bolsa de congelador o envolverla herméticamente con película estirable	4-8
	Carne de res	Asado	Embalar los trozos de carne en bolsas de refrigerador o envolverlos herméticamente con película estirable	8-12
		Carne de res	Cortarlos en grosor de 2 cm y colocar papel de aluminio entre ellos o envolverlos herméticamente con película estirable.	8-12
		Cubos	En piezas pequeñas	8-12
		Carne hervida	Embalar como pequeñas cantidades en bolsas de refrigerado.	8-12
	Carne picada		Sin sazonar, en bolsas planas	1-3
	Asadura (pieza)		En piezas	1-3
	Salchicha fermentada - Salami		Debe estar envasado aunque tenga su propia cubierta.	1-3
	Jamón		Colocar papel de aluminio entre las rodajas cortadas	2-3
Aves de corral y animales de caza	Pollo y Pavo		Envolver en papel de aluminio	4-6
	Ganso		Envolver en papel de aluminio (las porciones no deben superar los 2,5 kg)	4-6
	Pato		Envolver en papel de aluminio (las porciones no deben superar los 2,5 kg)	4-6
	Ciervo, Conejo, Corzo		Envolver en papel de aluminio (las porciones no deben superar los 2,5 kg, y sus huesos deben estar apartados)	6-8
Pescado y Marisco	Pescado de agua dulce (Trucha, Carpa, Grulla, Bagre)		2	
	Pescado magro (Róbalo, Rombo, Lenguado)		4-6	
	Pescado graso (Bonito, Mackerel, Pescado Azul, Salmonete, Anchoa)		Tras limpiar a fondo el interior y las escamas, se debe lavar y secar, y cortar las partes de cola y cabeza cuando sea necesario.	2-4
	Mariscos		Limpado y en bolsas	4-6
	Caviar		En su paquete, en contenedor de aluminio o de plástico	2-3

" Los tiempos de almacenamiento especificados en la tabla se basan en la temperatura de almacenamiento de -18°C. "

Frutas y Vegetales	Preparación	Tiempo máximo de almacenamiento (mes)
Judía y Judía trepadora	Hervir y pasar por agua con cubitos de hielo durante 3 minutos después de lavar y cortar en pequeñas piezas	10-13
Guisante	Hervir y pasar por agua con cubitos de hielo durante 2 minutos después de limpiar y lavar	10-12
Repollo	Hervir y pasar por agua con cubitos de hielo durante 1-2 minutos después de limpiar	6-8
Zanahoria	Hervir y pasar por agua con cubitos de hielo durante 3-4 minutos después de limpiar y cortar en piezas	12
Pimiento	Hervir 2-3 minutos después de cortar, partir en dos y limpiar las las semillas	8-10
Espinacas	Hervir y pasar por agua con cubitos de hielo durante 2 minutos después de lavar y limpiar	6-9
Puerro	Hervir y pasar por agua con cubitos de hielo durante 5 minutos después de cortar	6-8
Coliflor	Hervir y pasar por agua con cubitos de hielo y limón durante 3-5 minutos después de cortar en piezas	10-12
Berenjena	Hervir y pasar por agua con cubitos de hielo durante 4 minutos después de lavar y cortar en piezas de 2cm	10-12
Chayote	Hervir y pasar por agua con cubitos de hielo durante 2-3 minutos después de lavar y cortar en piezas de 2cm	8-10
Seta	Saltear levemente en aceite y exprimir limón	2-3
Maíz	Limpiar y envasando en mazorca o granulado	12
Manzana y Pera	Hervir y pasar por agua con cubitos de hielo durante 2-3 minutos después de pelar y cortar	8-10
Albaricoque y Melocotón	Partir por la mitad y quitar las semillas	4-6
Fresa y Frambuesa	Lavar y desgranar	8-12
Fruta cocida	Añadir un 10% de azúcar en el recipiente	12
Ciruela, Cereza, Cereza Agria	Lavar y desgranar los tallos	8-12

" Los tiempos de almacenamiento especificados en la tabla se basan en la temperatura de almacenamiento de -18°C. "

Productos Lácteos	Preparación	Tiempo Mínimo de Almacenamiento (Mes)	Condiciones de Almacenamiento
Queso (excepto queso feta)	Colocar papel de aluminio entre las rodajas	6-8	Puede permanecer en su envase original para almacenamiento a corto plazo. Para almacenamiento a largo plazo se debe envolver también en papel de aluminio o plástico.
Mantequilla, margarina	En su propio envase	6	En su propio envase o en envases de plástico

" Los tiempos de almacenamiento especificados en la tabla se basan en la temperatura de almacenamiento de -18°C. "

"La cantidad de alimentos frescos que pueden congelarse durante un determinado periodo de tiempo se especifica en la etiqueta del tipo".

Congelador Configuración	Frigorífico Configuración	Observaciones
-20°C	4°C	Este es el ajuste predeterminado y recomendado. Este ajuste se recomienda si la temperatura ambiente es inferior a 30°C.
-22 °C o -24 °C	4°C	Estos ajustes se recomiendan para temperaturas superiores a 30°C.
Quick Freeze	4°C	Úselo cuando desee congelar su comida en poco tiempo. Cuando el proceso termine, los ajustes del producto volverán a la posición anterior.
-18°C o más frío	2°C	Use estos ajustes si cree que el frigorífico no está lo suficientemente frío debido a la temperatura ambiental o frecuencia de apertura de la puerta.

### Detalles del congelador

Según la norma IEC 62552, el congelador debe tener capacidad para congelar 4,5 kg de alimentos a -18°C o a temperaturas inferiores a 25°C de temperatura ambiente en 24 horas por cada 100 litros de volumen del compartimento de congelación.

Los alimentos solo se pueden conservar durante períodos prolongados a una temperatura inferior o igual a -18 °C.

Puede mantener los alimentos frescos durante meses (en el congelador a temperaturas inferiores a -18 °C).

Los alimentos a congelar no deben ponerse en contacto con los alimentos ya congelados en el interior para evitar la descongelación parcial.

Hierva las vegetales y filtre el agua para prolongar el tiempo de almacenamiento congelado. Coloque los alimentos en envases herméticos después de la filtración y en el congelador. Los plátanos, tomates, lechuga, apio, huevos, patatas y alimentos similares no se deben congelar. En caso de que estos alimentos se congelen, sólo se verán afectados negativamente los valores nutricionales y las cualidades alimentarias. No se trata de una putrefacción que ponga en peligro la salud humana.

### Colocación de los alimentos

**Estantes del congelador:** diferentes alimentos congelados como carne, pescado, helados, verduras, etc.

**Estantes del frigorífico:** alimentos dentro de ollas, platos con tapa, huevos (en caja con tapa)

**Estantes de la puerta del frigorífico:** alimentos o bebidas pequeños y envasados

**Cajón de verduras:** verduras y frutas

**Compartimento de alimentos frescos:** alimentos delicatessen (alimentos para el desayuno, productos cárnicos para consumir en poco tiempo)

## 7.3 Área de almacenamiento en frío de productos lácteos

### Cajón de almacenamiento en frío

El cajón de almacenamiento en frío puede alcanzar temperaturas más bajas en el compartimento frigorífico. Utilice este cajón para productos delicatessen (salami, salchichas, etc.) y productos lácteos que requieran condiciones de conservación más frías, o para carne, pollo o pescado de consumo rápido. No es adecuado almacenar frutas y verduras en este cajón.

## 7.4 Zona de depósito de hielo

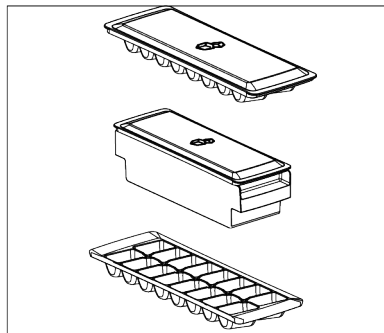
### Cubitera

La cubitera le permite sacar hielo fácilmente del refrigerador.

### Uso de la cubitera

1. Saque la cubitera del congelador.
2. Llene la cubitera con agua.

3. Coloque la cubitera en el congelador. El hielo estará listo después de aproximadamente dos horas.
4. Saque la cubitera del congelador y dóblela ligeramente sobre el soporte que va a servir. El hielo se vierte fácilmente en el soporte para servir.



### 7.5 Inversión del lado de apertura de la puerta

El lado de apertura de la puerta de su refrigerador se puede invertir según el lugar donde lo coloque. Cuando lo necesite, definitivamente debe llamar al Servicio Autorizado más cercano.

### 7.6 Alarma de puerta abierta

En función del modelo, la alarma de puerta abierta del frigorífico puede variar.

#### Versión 1;

Si la puerta del aparato permanece abierta entre 60 y 120 segundos, sonará una señal acústica de advertencia; según el modelo del aparato, también puede aparecer una señal visual de advertencia (parpadeo de la luz). Si cierra la puerta del aparato o pulsa un botón de su pantalla, en su caso, el sonido de advertencia se detendrá.

#### Versión 2;

Si la puerta del aparato permanece abierta entre 60 y 120 segundos, sonará la alarma de puerta abierta. La alarma de puerta abierta suena gradualmente. Primero, em-

pieza a sonar una alarma sonora. Al cabo de 4 minutos, si la puerta sigue sin cerrarse, se activa una advertencia visual (parpadeo de la iluminación). La alarma de puerta abierta se retrasará durante un cierto periodo de tiempo (entre 60 s y 120 s) cuando se pulse cualquier tecla de la pantalla del aparato, si la hubiera. A continuación, el proceso se iniciará de nuevo. Cuando se cierre la puerta del aparato, se cancelará la alarma de puerta abierta.

### 7.7 Sustitución de la lámpara de iluminación

Llame al Servicio Autorizado cuando la Bombilla/LED utilizada para la iluminación de su frigorífico sea reemplazada.

La(s) lámpara(s) utilizada(s) en este aparato no se puede(n) utilizar para la iluminación del hogar. Esta lámpara está pensada para ayudar al usuario a colocar los alimentos en el frigorífico/congelador de forma segura y cómoda.

### 7.8 aeroflujo

Es un sistema de distribución de aire que proporciona una distribución homogénea de la temperatura. Con la circulación del aire, se asegura la distribución homogénea de la temperatura en el compartimento de almacenamiento de alimentos frescos y las fluctuaciones de temperatura se mantienen en niveles bajos. No se realiza ningún soplo de aire directo sobre los alimentos y esto ayuda a reducir la pérdida de humedad. Conserva la frescura de los alimentos almacenados en el compartimento de alimentos frescos del frigorífico. De esta forma, tus alimentos se almacenan a temperaturas más estables y se reduce el contacto con el aire. Se evita el secado y encogimiento de los alimentos por la pérdida de humedad y se proporciona frescura por más tiempo.

## 8 Mantenimiento y limpieza

ES



### ADVERTENCIA:

En primer lugar, lea la sección "Instrucciones de seguridad".



### ADVERTENCIA:

Desenchufe el frigorífico antes de limpiarlo.

- No utilice herramientas afiladas o abrasivas para limpiar el aparato. No utilice materiales como productos de limpieza del hogar, jabón, detergentes, gas, gasolina, diluyente, alcohol, cera, etc.
- Se debe quitar el polvo de la rejilla de ventilación de la parte trasera del aparato al menos una vez al año (sin abrir la tapa). Limpie el aparato con un paño seco.
- Tenga cuidado en mantener el agua lejos de la cubierta de la lámpara y otras partes eléctricas.
- Limpie la puerta con un paño húmedo. Retire todo el contenido para quitar la puerta y las rejillas de la carcasa. Retire las rejillas de la puerta elevándolas hacia arriba. Limpie y seque las estanterías, a continuación, colóquelas de nuevo en su lugar deslizándolas desde arriba.
- No utilice agua clorada ni productos de limpieza en la superficie exterior ni en las partes cromadas del producto. El cloro causará herrumbre en este tipo de superficies metálicas.
- A fin de evitar la deformación de la pieza de plástico y la eliminación de los grabados en la pieza no utilice herramientas afiladas y abrasivas, jabón, materiales de limpieza doméstica, detergentes, gas, gasolina, barniz y sustancias similares. Utilice agua tibia y paño suave para limpiar, y luego seque el aparato.
- En los aparatos que no tienen la función No-Frost, es posible que se produzcan gotas de agua y hielo de un grosor de un dedo en la pared posterior del congelador. No lo limpie, y nunca aplique aceites o materiales similares.

- Utilice un paño de microfibra ligeramente humedecido para limpiar la superficie externa del producto. Las esponjas y otros tipos de trapos de limpieza pueden provocar arañazos.
- Para limpiar todos los componentes removibles durante la limpieza de la superficie interior del producto, lave estos componentes con una solución suave que consista en jabón, agua y carbonato. Llave muy bien y seque. Evite que el agua entre en contacto con los componentes de la iluminación y el panel de control.



### ¡PRECAUCIÓN!

No utilice vinagre, alcohol para frotar u otros agentes de limpieza a base de alcohol en ninguna de las superficies interiores.

### Superficies externas de acero inoxidable

Utilice un producto de limpieza no abrasivo para acero inoxidable y aplíquelo con un paño suave sin pelusas. Para pulir, limpie suavemente la superficie con un paño de microfibra humedecido con agua y use una gamuza de pulido en seco. Siga siempre los hilos del acero inoxidable.

### Prevención de olores

El aparato se fabrica libre de cualquier material oloroso. Sin embargo, mantener la comida en secciones inadecuadas y una limpieza inadecuada de las superficies internas puede causar olor.

- Para evitar esto, limpie el interior con agua carbonatada cada 15 días.
- Mantenga los alimentos en recipientes sellados, ya que los microorganismos que surgen de los alimentos guardados en recipientes sin sellar causarán mal olor.
- No guarde alimentos caducados y en mal estado en el frigorífico.

El aceite derramado en las superficies de plástico puede dañar la superficie y debe ser limpiado inmediatamente con agua tibia.

## 9 Solución de problemas

Revise esta lista antes de contactar con el servicio técnico. Si lo hace, le ahorrará tiempo y dinero. Esta lista incluye quejas frecuentes que no están relacionados con la mano de obra ni materiales defectuosos. Algunas funciones mencionadas en este documento pueden no ser aplicables a su aparato.

### El frigorífico no está funcionando.

- El enchufe no está totalmente en la toma. >>> Conéctelo para asentarlo por completo en la toma.
- El fusible conectado a la toma de corriente del aparato o el fusible principal está fundido. >>> Compruebe el fusible.

### Condensación en la pared lateral del compartimento frigorífico (MULTI ZONE, COOL CONTROL y FLEXI ZONE).

- La puerta se abre con demasiada frecuencia. >>> Tenga cuidado de no abrir la puerta del aparato con demasiada frecuencia.
- El medio ambiente es demasiado húmedo. >>> No instale el aparato en ambientes húmedos.
- Los alimentos que contienen líquidos se mantienen en sus envases sin sellar. >>> Mantenga los alimentos que contengan líquidos en envases sellados.
- La puerta del aparato se deja abierta. >>> No mantenga la puerta del aparato abierta durante largos periodos.
- El termostato está ajustado a una temperatura muy fría. >>> Ajuste el termostato a un nivel apropiado.

### El compresor no está funcionando.

- En caso de fallo de corriente repentino o tirando del enchufe de corriente y poniéndolo de nuevo, la presión del gas en el sistema de refrigeración del aparato no será equilibrada, lo que desencadena la salvaguardia térmica del compresor. El

aparato se reiniciará después de aproximadamente 6 minutos. Si el aparato no se reinicia después de este período, póngase en contacto con el servicio.

- La descongelación está activa. >>> Esto es normal para un aparato de descongelación completamente automático. La descongelación se realiza periódicamente.
- El aparato no está enchufado. >>> Asegúrese de que el cable de corriente esté enchufado.
- El ajuste de la temperatura es incorrecto. >>> Seleccione el ajuste adecuado de la temperatura.
- No hay energía eléctrica. >>> El aparato continuará funcionando con normalidad una vez que se restablezca la corriente.

### El ruido de funcionamiento del frigorífico aumenta mientras está en uso.

- El desempeño operativo del aparato puede variar en función de las variaciones de la temperatura ambiente. Esto es normal y no indica mal funcionamiento.

### El frigorífico funciona demasiado a menudo o por demasiado tiempo.

- El nuevo aparato puede ser más grande que el anterior. Los aparatos de mayor tamaño se ejecutarán por períodos más largos.
- La temperatura ambiente puede ser alta. >>> El aparato normalmente funciona durante largos períodos a mayor temperatura de la habitación.
- El aparato puede haber sido conectado recientemente o un nuevo alimento fue colocado en su interior. >>> El aparato tardará más en alcanzar la temperatura fijada cuando es enchufado recientemente o si un nuevo alimento se coloca en el interior. Esto es normal.

- Grandes cantidades de alimentos calientes pueden haber sido colocados recientemente en el aparato. >>> No coloque alimentos calientes dentro del aparato.
- Las puertas se abren frecuentemente o se mantienen abiertas durante largos períodos. >>> El aire caliente que se mueve adentro hará que el aparato funcione más tiempo. No abra las puertas con demasiada frecuencia.
- La puerta del congelador o del frigorífico puede estar abierta. >>> Compruebe que las puertas estén completamente cerradas.
- Es posible que el aparato esté configurado a una temperatura demasiado baja. >>> Ajuste la temperatura a un grado más alto y espere a que el aparato alcance la temperatura ajustada.
- La arandela de la puerta del frigorífico o el congelador puede estar sucia, desgastada, rota o mal instalada. >>> Limpie o cambie el sello. Una arandela de la puerta dañada / agrietada hará que el aparato funcione durante períodos más largos para preservar la temperatura actual.

**La temperatura del congelador es muy baja, pero la temperatura del frigorífico es adecuada.**

- La temperatura del compartimento congelador se establece a un grado muy bajo. >>> Ajuste la temperatura del compartimento del congelador a un grado más alto y vuelva a intentarlo.

**La temperatura del enfriador es muy baja, pero la temperatura del congelador es adecuada.**

- La temperatura del compartimento congelador se establece a un grado muy bajo. >>> Ajuste la temperatura del compartimento frigorífico a un grado más alto y verifique nuevamente.

**Los alimentos guardados en los cajones del compartimento de refrigeración se congelan.**

- La temperatura del compartimento congelador se establece a un grado muy bajo. >>> Ajuste la temperatura del compartimento frigorífico a un grado más alto y verifique nuevamente.

**La temperatura en el frigorífico o el congelador es demasiado alta.**

- La temperatura del compartimento del congelador se establece a un grado muy bajo. >>> El valor de la temperatura del compartimento de refrigeración tiene un efecto sobre la temperatura en el compartimento congelador. Espere hasta que la temperatura de las partes pertinentes alcancen el nivel suficiente cambiando la temperatura del frigorífico o del congelador.
- Las puertas se abren frecuentemente o se mantienen abiertas durante largos períodos. >>> No abra las puertas con demasiada frecuencia.
- La puerta puede estar abierta. >>> Cierre la puerta por completo.
- El aparato puede haber sido conectado recientemente o un nuevo alimento fue colocado en su interior. >>> Esto es normal. El aparato tardará más en alcanzar la temperatura fijada fue enchufado recientemente o si un nuevo alimento se coloca en el interior.
- Grandes cantidades de alimentos calientes pueden haber sido colocados recientemente en el aparato. >>> No coloque alimentos calientes dentro del aparato.

**Ruido o agitación.**

- La superficie no es plana ni duradera >>> Si el aparato tiembla cuando se mueve lentamente, ajuste los soportes para equilibrar el producto. También asegúrese de que el suelo sea lo suficientemente resistente para soportar el aparato.
- Cualquier artículo colocado sobre el aparato pueden causar ruido. >>> Retire todos los objetos colocados sobre el aparato.

- El aparato está haciendo ruido de flujo de líquido, rociado, etc.
- Los principios de funcionamiento del aparato implican flujos de líquido y gas. >>> Esto es normal y no indica mal funcionamiento.

#### **Hay sonido del viento que sopla procedente del aparato.**

- El aparato utiliza un ventilador para el proceso de enfriamiento. Esto es normal y no indica mal funcionamiento.

#### **Hay condensación en las paredes internas del aparato.**

- El clima caliente o húmedo aumentarán la formación de hielo y de condensación. Esto es normal y no indica mal funcionamiento.
- Las puertas se abren frecuentemente o se mantienen abiertas durante largos períodos. >>> No abra las puertas con demasiada frecuencia, si están abiertas, ciérrelas.
- La puerta puede estar abierta. >>> Cierre la puerta por completo.

#### **Hay condensación en el exterior del aparato o entre las puertas.**

- Puede ser por que el clima ambiental sea húmedo, esto es bastante normal en ambientes húmedos. >>> La condensación se disipará cuando se reduzca la humedad.

#### **El interior huele mal.**

- El aparato es limpiado regularmente. >>> Limpie el interior con regularidad utilizando una esponja, agua caliente y agua carbonatada.
- Ciertos envases y materiales de embalaje pueden causar olor. >>> Utilice envases y materiales de embalaje que sean exentos de olores.

- Los alimentos se colocan en envases no sellado. >>> Mantenga los alimentos en envases sellados. Los microorganismos pueden propagarse fuera de los alimentos sin sellar y causar mal olor.
- Retire todos los alimentos caducados o en mal estado del aparato.

#### **La puerta no se cierra.**

- Los paquetes de alimentos pueden estar bloqueando la puerta. >>> Cambie de lugar los elementos que bloquean las puertas.
- El aparato no está en posición vertical sobre la base. >>> Ajuste los soportes para equilibrar el aparato.
- La superficie no es plana ni duradera >>> Asegúrese de que la superficie sea plana y lo suficientemente duradera para soportar el producto.

#### **El cajón de verduras está atascado.**

- Los alimentos pueden estar en contacto con la parte superior del cajón. >>> Reorganice los alimentos en el cajón.

#### **Temperatura en la superficie del producto.**

- Se pueden observar altas temperaturas entre las dos puertas, en los paneles laterales y en la parrilla trasera mientras el aparato está en funcionamiento. Esto es normal y no requiere servicio.

#### **El ventilador sigue funcionando cuando la puerta está abierta.**

- El ventilador puede seguir funcionando cuando la puerta del congelador está abierta.



**ADVERTENCIA:** Si el problema persiste después de seguir las instrucciones de esta sección, póngase en contacto con su vendedor o un Servicio Autorizado. No trate de reparar el aparato. Esto es normal.

## **DESCARGO DE RESPONSABILIDAD / ADVERTENCIA**

Algunas averías (simples) pueden ser manejadas adecuadamente por el usuario final sin que surja ningún problema de seguridad o uso inseguro, siempre que se reali-

cen dentro de los límites y de acuerdo con las siguientes instrucciones (véase la sección "Autorreparación").



Por lo tanto, a menos que se autorice lo contrario en la sección "Autorreparación", las reparaciones deberán dirigirse a reparadores profesionales registrados para evitar problemas de seguridad. Un reparador profesional registrado es aquel al que el fabricante ha concedido acceso a las instrucciones y la lista de piezas de repuesto de este aparato de acuerdo con los métodos descritos en los actos legislativos de conformidad con la Directiva 2009/125/CE.

**Sin embargo, solo el agente de servicio (es decir, reparadores profesionales autorizados) al que pueda comunicarse a través del número de teléfono proporcionado en el manual del usuario/tarjeta de garantía oa través de su distribuidor autorizado puede brindarle servicio bajo los términos de la garantía. Por lo tanto, tenga en cuenta que las reparaciones realizadas por reparadores profesionales (que no están autorizados por Beko) anularán la garantía.**

#### **Auto-reparación**

El usuario final puede realizar la reparación por sí mismo con respecto a las siguientes piezas de repuesto: manijas de las puertas, bisagras de las puertas, bandejas, cestas y juntas de las puertas (también está disponible una lista actualizada [support.beko.com](http://support.beko.com) a partir del 1 de marzo de 2021). Además, para garantizar la seguridad del aparato y evitar el riesgo de lesiones graves, la autorreparación mencionada debe realizarse siguiendo las instrucciones del manual de usuario para autorreparación o que están disponibles en [support.beko.com](http://support.beko.com). Por su seguridad, desenchufe el aparato antes de intentar cualquier autoreparación.

Los intentos de reparación por parte de los usuarios finales de piezas no incluidas en dicha lista y/o que no sigan las instrucciones de los manuales de usuario para la auto-reparación o que están disponibles en [support.beko.com](http://support.beko.com), podrían dar lugar a problemas de seguridad no imputables a Beko, y anularán la garantía del aparato.

Por lo tanto, se recomienda encarecidamente a los usuarios finales que se abstengan de intentar llevar a cabo reparaciones que queden fuera de la mencionada lista de piezas de repuesto, poniéndose en contacto en tales casos con reparadores profesionales autorizados o con reparadores profesionales registrados. Por el contrario, tales intentos por parte de los usuarios finales pueden causar problemas de seguridad y dañar el aparato y, posteriormente, provocar un incendio, una inundación, una electrocución y lesiones personales graves.

A modo de ejemplo, pero no limitado a, las siguientes reparaciones deben dirigirse a reparadores profesionales autorizados o reparadores profesionales registrados: compresor, circuito de refrigeración, placa principal, placa inverter, placa de visualización, etc.

El fabricante/vendedor no se hace responsable en ningún caso en el que los usuarios finales no cumplan con lo anterior.

La disponibilidad de repuestos del frigorífico que compró es de 10 años. Durante este período, los repuestos originales estarán disponibles para operar el frigorífico correctamente.

La duración mínima de la garantía del refrigerador que ha comprado es de 24 meses. Este aparato está equipado con una fuente de iluminación de clase energética "G".

La fuente de iluminación de este aparato solo debe ser reemplazada por un reparador profesional.

Ver también

2 DISCLAIMER / WARNING [ ] 28]

## Primeiro deve ler este manual!

**Caro Cliente,**


**Deve ler este manual antes de utilizar o produto.**


Agradecemos ter escolhido este produto Beko . Gostaria de obter uma eficiência ótima deste produto de alta qualidade que foi fabricado com a tecnologia mais moderna. Para o fazer, deve ler cuidadosamente este manual e qualquer outra documentação fornecida antes de utilizar o produto e manter a mesma como uma referência.


Deve prestar atenção a toda a informação e todas as advertências no manual do utilizador. Desta forma, irá proteger-se a si mesmo e ao seu produto contra os perigos que podem ocorrer.


Guardar o manual do utilizador. Deve incluir este manual com a unidade caso o produto seja cedido a outra pessoa.

**São usados os símbolos seguintes no manual do utilizador:**




 Risco que pode resultar em morte ou lesões.

 Informações importantes ou dicas úteis sobre o funcionamento.

 Ler o manual do utilizador.

 Material combustível, advertência contra risco de incêndio.

**OBSERVAÇÃO** Um risco que pode causar danos materiais ao produto ou ao seu redor

	<p>A informação do modelo tal como está guardada na base de dados do produto pode ser acedida entrando no seguinte sítio web e procurando o seu identificador de modelo (*) encontrado na etiqueta energética.</p> <p><a href="https://eprel.ec.europa.eu/">https://eprel.ec.europa.eu/</a></p>
<p>SUPPLIER'S NAME                      MODEL IDENTIFIER → (*)</p> <p>                      </p>	

<b>1</b>	<b>Instruções de segurança .....</b>	<b>60</b>
1.1	Uso a que se destina .....	60
1.2	Segurança de crianças, pessoas vulneráveis e animais de estimação .....	60
1.3	Segurança elétrica.....	61
1.4	Segurança de manuseamento .....	62
1.5	Segurança da instalação .....	62
1.6	Segurança de funcionamento .....	65
1.7	Segurança de armazenamento dos alimentos .....	67
1.8	Segurança da manutenção e limpeza.....	68
1.9	Eliminação do produto usado .....	69
<b>2</b>	<b>Instruções ambientais.....</b>	<b>69</b>
2.1	Em conformidade com a Diretiva REEE e Eliminação de Resíduos:..	69
<b>3</b>	<b>O seu Frigorífico .....</b>	<b>70</b>
<b>4</b>	<b>Instalação .....</b>	<b>70</b>
4.1	Lugar correto para a instalação ...	71
4.2	Ligação elétrica .....	71
4.3	Fixar as cunhas de plástico .....	71
4.4	Ajustar os pés.....	72
4.5	Advertência de superfície quente.	72
<b>5</b>	<b>Preparação .....</b>	<b>72</b>
5.1	O que fazer para poupar energia..	72
5.2	Primeira utilização .....	73
5.3	Classe climática e definições.....	73
<b>6</b>	<b>Funcionar com o produto .....</b>	<b>73</b>
<b>7</b>	<b>Uso do seu aparelho .....</b>	<b>74</b>
7.1	Painel de controlo de produto .....	74
7.2	Guardar alimentos no compartimento do congelador.....	75
7.3	Zona de armazenamento de produtos láteos frios.....	80
7.4	Zona de armazenamento de gelo	81
7.5	Inverter o lado de abertura da porta .....	81
7.6	Alerta de porta aberta .....	81
7.7	Substituição da lâmpada de iluminação .....	81
7.8	AeroFlow .....	81
<b>8</b>	<b>Manutenção e limpeza .....</b>	<b>82</b>

## 1 Instruções de segurança

Esta secção inclui as instruções de segurança necessárias para prevenir risco de lesões e danos materiais.

A nossa empresa não será considerada responsável por danos que possam ocorrer caso estas instruções não sejam seguidas.

A instalação e reparação devem ser sempre realizadas por Assistência Autorizada.

Utilizar apenas peças de substituição e acessórios originais.

As peças de substituição serão fornecidas durante 10 anos após a data de compra do produto.

Não reparar ou substituir qualquer componente do produto exceto se especificamente mencionado no manual do utilizador.

Não realizar quaisquer modificações no produto.

### 1.1 Uso a que se destina

Este produto não é adequado para uso comercial e não deve ser usado exceto para o fim a que se destina. Estes produtos é

destinado a ser usado no interior, em habitações e espaços similares.

Por exemplo:

- Nas cozinhas do pessoal de estabelecimentos comerciais e outros ambientes de trabalho,
- Em casa rurais,
- Em unidades hoteleiras, motéis ou outras instalações de lazer que são utilizadas por clientes,
- Em hostels e alojamentos similares,
- Em serviços de restauração e grossistas similares.

Este produto não deve ser usado em ambientes exteriores fechados ou abertos como navios, varandas ou terraços. Expor o produto à chuva, neve, sol e vento pode causar perigo elétrico.

### 1.2 Segurança de crianças, pessoas vulneráveis e animais de estimação

- Este produto pode ser usado por crianças a partir de 8 anos e mais e por pessoas com capacidades físicas, sensoriais ou mentais

reduzidas ou com falta de experiência e conhecimento se lhes tiver sido dada a supervisão ou tiver sido dada instrução relativamente ao uso do produto de uma forma segura e entender os riscos envolvidos.

- Crianças entre 3 e 8 anos podem colocar e retirar alimentos de/para do frigorífico.
- Os produtos elétricos são perigosos para as crianças e para os animais domésticos. As crianças e os animais de estimação não podem brincar, trepar ou entrar dentro do produto.
- A limpeza e manutenção do utilizador não deve ser feita por crianças a menos que sejam supervisionadas.
- Manter o material de embalagem afastado do alcance das crianças. Risco de lesão ou asfixia

Antes de eliminar os produtos antigos que já não devem ser usados:

1. Desligar o cabo de alimentação da tomada elétrica.
2. Cortar o cabo de alimentação e remover o mesmo do aparelho em conjunto com a ficha.

3. Não remover as prateleiras e as gavetas do produto de modo a impedir que as crianças entrem para dentro do mesmo.
  4. Remover as portas.
  5. Armazenar o produto de modo que não possa ser tombado.
  6. Não permitir que as crianças brinquem com o produto desmontado.
- Não eliminar o produto colocando-o no fogo. Risco de explosão.
  - Se existir algum fecho na porta do produto, deve manter a chave longe do alcance das crianças.



### 1.3 Segurança elétrica

- O produto não deve ser ligado à tomada durante as operações de instalação, manutenção, limpeza, reparação e transporte.
- Se o cabo de alimentação estiver danificado, deve ser substituído pela assistência autorizada apenas para evitar qualquer risco que possa ocorrer.
- Não dobrar o cabo de alimentação por baixo do produto ou na parte de trás do produto. Não colocar objetos pesados em cima do cabo de

alimentação. O cabo de alimentação não pode ser dobrado, esmagado ou entrar em contacto com qualquer fonte de calor.

- Não usar um cabo de extensão, uma extensão múltipla ou um adaptador para operar com o seu produto.
- As tomadas múltiplas portáteis ou as fontes de alimentação portáteis podem sobreaquecer ou provocar um incêndio. Portanto, não colocar uma extensão múltipla atrás ou junto ao produto.
- A ficha deve estar facilmente acessível. Se isso não for possível, deve estar disponível na instalação elétrica um mecanismo que esteja em conformidade com a legislação e que desligue todos os terminais da corrente elétrica (fusível, disjuntor, disjuntor geral, etc.).
- Não tocar na ficha com as mãos molhadas.
- Quando desligar o aparelho, não segurar no cabo de alimentação, mas na ficha.

#### 1.4 **Segurança de manuseamento**

- Assegurar que desliga o aparelho antes de transportar o produto.

- Este produto é pesado, não o deve manusear sozinho. Podem ocorrer lesões se o produto cair em cima de si. Não colidir com os espaços ou deixar cair o produto enquanto o transporta.
- Fechar sempre as portas e não segurar o produto pelas portas do mesmo enquanto o transporta.
- Ter o cuidado de não danificar o sistema de refrigeração e as tubagens quando estiver a manusear o produto. Não operar o produto se a tubagem estiver danificada e deve contactar a assistência autorizada.

#### 1.5 **Segurança da instalação**

- Contactar a Assistência Autorizada para a instalação do produto. Para preparar o produto para utilização, consultar a informação no manual do utilizador e assegurar que as ligações elétricas e da água estão conforme é exigido. Se não, contactar um electricista e um canalizador para fazer as adequações necessárias. O incumprimento do referido

- pode resultar em choque elétrico, incêndio, problemas com o produto ou lesões.
- O produto é destinado a utilizar em zonas que se encontrem a uma altitude máxima de 2000 metros acima do nível do mar.
  - Verificar se há algum dano no produto antes de o instalar. Não instalar o produto se estiver danificado.
  - Usar sempre o equipamento de proteção individual (luvas, etc.) durante a instalação, manutenção e reparação do produto. Risco de lesões!
  - Colocar o produto numa superfície dura, nivelada e limpa e equilibrar o mesmo com os pés ajustáveis (rodando o pé da frente para a direita ou para a esquerda). Caso contrário, o frigorífico pode-se tombar e provocar lesões.
  - O produto deve ser instalado num espaço seco e ventilado. Não manter carpetes, tapetes ou revestimentos similares do pavimento por baixo do produto. Isso pode provocar um incêndio em consequência de uma ventilação não adequada!
  - Não bloquear os orifícios de ventilação. Caso contrário, o consumo de energia aumenta e o seu produto pode ficar danificado.
  - Quando colocar o produto, assegurar que o cabo de alimentação não está danificado ou comprimido.
  - O produto não deve ser ligado a sistemas de alimentação como o fornecimento de energia solar. Caso contrário, o produto pode ficar danificado devido a alterações repentinas de tensão!
  - Quanto mais refrigerante um frigorífico tiver, maior deverá ser o espaço para a instalação. Em espaços muito pequenos, pode ocorrer uma mistura de gás-ar inflamável no caso de uma fuga de gás no sistema de refrigeração. É necessário pelo menos 1 m<sup>3</sup> de volume por cada 8 gramas de refrigerante. A quantidade de refrigerante disponível no seu produto é especificada na Etiqueta de Classificação.
  - O local de instalação do produto não deve estar exposto à luz solar direta e não deve estar junto de uma fonte de calor como fogões, radiadores, etc. Se não puder evitar a instalação do produto

junto de uma fonte de calor, deve usar uma placa de isolamento adequada e a distância mínima da fonte de calor como especificado abaixo:

- Pelo menos 30 cm afastada de fontes de calor como fogões, equipamentos de aquecimento e aquecedores, etc.
- E pelo menos 5 cm afastada de fornos elétricos.
- O seu produto tem a classe de proteção de I.
- Ligar o produto numa tomada com ligação terra que esteja de acordo com os valores de tensão, corrente e frequência especificados na etiqueta de classificação. A tomada deve ter um fusível de 10A - 16A. A nossa empresa não assumirá responsabilidade por quaisquer danos devido à utilização sem ligação da alimentação elétrica em conformidade com os regulamentos locais e nacionais.
- O cabo de alimentação do produto deve ser desligado durante a instalação. Caso contrário, pode ocorrer risco de choque elétrico e de danos!
- Não ligar o cabo de alimentação do produto em tomadas soltas, deslocadas, partidas, sujas e com gordura que podem ter um risco de contacto com água. Estes tipos de ligações podem provocar sobreaquecimento e fogo.
- Colocar o cabo de alimentação e as mangueiras (se existirem) do produto de modo a não provocarem um risco de queda.
- A penetração da humidade e de líquido nas partes ativas ou no cabo de alimentação podem provocar um curto-circuito. Portanto, não usar o produto em espaços húmidos ou em áreas onde a água pode salpicar (por ex. garagem, lavandaria, etc.). Se o frigorífico ficar molhado com água, desligar o mesmo e contactar a assistência autorizada.
- Não ligar o seu frigorífico a dispositivos de poupança de energia. Estes sistemas são nocivos para o produto.
- Há um risco de contacto com peças elétricas quando remover a tampa da placa eletrónica e a tampa traseira do compressor (se colocada). Não remover a tampa da placa



eletrónica e a tampa traseira do compressor (se colocada). Há um risco de eletrocussão!



## 1.6 Segurança de funcionamento

- Não usar solventes químicos no produto. Estes materiais implicam um risco de explosão.
- No caso de uma falha do produto, desligar e não operar com o mesmo até que seja reparado pela assistência autorizada. Existe risco de choque elétrico!
- Não colocar uma fonte de chama (por ex. velas, cigarros, etc.) sobre o produto ou próximo do mesmo.
- Não entrar dentro do produto. Risco de queda e de lesões!
- Não provocar danos nas tubagens do sistema de refrigeração quando usar ferramentas afiadas e de perfuração. O refrigerante que é pulverizado no caso de perfuração das tubagens de gás, as extensões das tubagens ou os revestimentos da superfície superior e pode provocar irritação da pele e lesões nos olhos.
- Não colocar e nem operar com aparelhos elétricos dentro dos frigoríficos/congelador exceto se recomendado pelo fabricante.
- Não prender qualquer parte das suas mãos ou corpo em alguma das partes móveis dentro do produto. Ter cuidado para evitar prender os seus dedos entre o frigorífico e a porta respetiva. Ter cuidado quando estiver a abrir ou a fechar a porta se estiver crianças por perto.
- Não colocar gelados, cubos de gelo ou alimentos congelados na boca assim que os retirar do congelador. Risco de queimadura pelo frio!
- Não tocar nas paredes interiores, nas peças metálicas do congelador ou nos alimentos mantidos dentro do congelador com as mãos molhadas. Risco de queimadura pelo frio!
- Não colocar latas e garrafas de refrigerante que contenham líquidos que possam congelar no compartimento do congelador. As garrafas ou as latas podem explodir. Risco de lesões e de danos no material!
- Não usar ou colocar quaisquer substâncias sensíveis à temperatura tais como

pulverizadores inflamáveis, objetos inflamáveis, gelo seco, medicamentos ou produtos químicos próximo ou dentro do frigorífico. Risco de incêndio e explosão!

- Não guardar dentro do produto substâncias explosivas como latas de spray com materiais inflamáveis.
- Não colocar latas abertas contendo líquidos sobre o produto. Os salpicos de água sobre uma peça elétrica podem provocar risco de um choque elétrico ou um incêndio.
- Este produto não se destina ao armazenamento e refrigeração de medicamentos, plasma de sangue, preparações laboratoriais ou materiais similares e produtos que estejam sujeitos à Diretiva de Produtos Médicos.
- Se o produto for usado fora do fim a que se destina, isso pode provocar ou deteriorar os produtos mantidos no interior.
- Se o seu frigorífico estiver equipado com luz azul, não olhar para esta luz com dispositivos óticos. Não olhar diretamente para a luz LED UV durante um longo período de tempo. Os raios ultravioleta podem provocar cansaço ocular.
- Não encher o produto com mais conteúdo do que o previsto na respetiva capacidade. Podem ocorrer lesões ou danos se o conteúdo do frigorífico cair quando a porta for aberta. Podem ocorrer problemas similares quando um objeto é colocado sobre o produto.
- Assegurar que removeu qualquer gelo ou água que possa ter caído no chão para evitar lesões.
- Mudar as localizações das prateleiras/prateleiras de garrafas na porta do seu frigorífico somente enquanto as prateleiras estiverem vazias. Perigo de lesões!
- Não colocar objetos que possam cair/tombar sobre o produto. Estes objetos podem cair quando estiver a abrir ou a fechar a porta e provocar lesões e/ou danos no material.
- Não pressionar ou exercer pressão excessiva nas superfícies de vidro. O vidro partido pode provocar lesões e/ou danos materiais.
- O sistema de refrigeração no seu produto contém refrigerante R600a. O tipo de

refrigerante usado no produto é especificado na etiqueta de classificação. O gás é inflamável. Portanto, deve ter o cuidado de não danificar o sistema de refrigeração e as tubagens quando estiver a manusear o produto. No caso de danos nas tubagens;

1. Não tocar o produto ou o cabo de alimentação.
2. Manter o produto afastado de fontes potenciais de incêndio que possam provocar a ignição do produto.
3. Ventilar o espaço onde o produto é colocado. Não usar uma ventoinha.
4. Contactar o serviço autorizado.

Se o produto estiver danificado e observar uma fuga de gás, deve manter-se afastado do gás. O gás pode provocar queimadura de frio se entrar em contacto com a pele.

Antes de eliminar os produtos antigos que já não devem ser usados:

1. Desligar o cabo de alimentação da tomada elétrica.
2. Cortar o cabo de alimentação e remover o mesmo do aparelho em conjunto com a ficha.

3. Não remover as prateleiras e as gavetas do produto de modo a impedir que as crianças entrem para dentro do mesmo.
  4. Remover as portas.
  5. Armazenar o produto de modo que não possa ser tombado.
  6. Não permitir que as crianças brinquem com o produto desmontado.
- Não eliminar o produto colocando-o no fogo. Risco de explosão.
  - Se existir algum fecho na porta do produto, deve manter a chave longe do alcance das crianças.



### 1.7 Segurança de armazenamento dos alimentos

Deve prestar atenção às seguintes advertências para evitar que os alimentos se estraguem:

- Deixar as portas abertas durante um longo período de tempo pode provocar uma subida da temperatura dentro do produto.
- Limpar regularmente os sistemas de escoamento acessíveis que estão em contacto com os alimentos.

- Limpar os reservatórios de água que não forem usados durante 48 horas e os sistemas principais de alimentação de água que não forem usados durante mais de 5 dias.
  - Armazenar a carne crua e o peixe nos compartimentos apropriados dentro do produto. De modo a que não pingue ou entre em contacto com os outros alimentos.
  - Os compartimentos do congelador de duas estrelas são usados para armazenar alimentos pré-recheados, fazer e armazenar gelo e gelado.
  - Os compartimentos de uma, duas e três estrelas não são apropriados para congelar alimentos frescos.
  - Se o produto de refrigeração tiver sido deixado vazio durante um longo período de tempo, desligar o produto, descongelar, limpar e secar o produto de modo a proteger a estrutura do mesmo.
- 1.8 Segurança da manutenção e limpeza**
- 
- Não puxar pelo manípulo da porta se pretender deslocar o produto para efeitos de limpeza. O manípulo pode provocar lesões se for puxado com demasiada força.
  - Não limpar o produto pulverizando ou despejando água sobre o produto e dentro do produto. Risco de choque elétrico e incêndio.
  - Quando limpar o produto, não usar ferramentas afiadas e abrasivas ou soluções de limpeza doméstica, detergente, gás, gasolina, diluente, álcool, verniz e substâncias similares. Usar apenas soluções de limpeza e de manutenção que não sejam nocivas para os alimentos que estão dentro do produto.
  - Nunca usar vapor ou materiais de limpeza a vapor para limpar o produto e descongelar o gelo dentro do mesmo. O vapor entra em contacto com as áreas condutoras no seu frigorífico e provoca curto-circuito ou choque elétrico.
  - Deve ter cuidado para manter água afastada dos circuitos eletrónicos ou da iluminação do produto.
  - Usar um pano limpo e seco para limpar o pó ou materiais estranhos nos terminais ou nas fichas. Não usar um pano molhado ou húmido quando estiver a limpar a ficha. Caso

contrário, pode ocorrer risco de incêndio ou de choque elétrico.

## 1.9 Eliminação do produto usado

Quando eliminar o seu produto usado deve seguir as instruções abaixo:

- Par impedir que as crianças acidentalmente se fechem dentro do produto, se houver um fecho na porta, deve desativá-lo.

- Os salpicos do refrigerante são nocivos para os olhos. Não deve danificar qualquer parte do sistema de refrigeração enquanto estiver a eliminar o produto.
- O óleo do compressor se for ingerido enquanto estiver a eliminar o produto, pode ser mortal.
- O sistema de refrigeração do seu produto inclui o gás R600a conforme especificado na etiqueta indicadora do tipo. O gás é inflamável. Não eliminar o produto colocando-o no fogo. Risco de explosão!

## 2 Instruções ambientais

### 2.1 Em conformidade com a Diretiva REEE e Eliminação de Resíduos:



Este produto está em conformidade com a Diretiva UE REEE (2012/19/UE). Este produto possui um símbolo de classificação para resíduos de equipamento elétrico e

eletrónico (REEE).

Este símbolo indica que este produto não deve ser eliminado com outros resíduos domésticos no fim da vida útil. O dispositivo usado deve ser entregue num ponto de recolha oficial para reciclagem de dispositivos elétricos e eletrónicos. Para encontrar estes sistemas de recolha deve contactar as autoridades locais ou o revendedor onde o produto foi adquirido. Cada família desempenha um papel importante na recuperação e reciclagem de equipamentos usados. A eliminação

adequada de aparelhos usados ajuda a evitar possíveis consequências negativas para o meio ambiente e a saúde humana.

### Em conformidade com a Diretiva RSP

O produto que comprou cumpre com a Diretiva RoHS UE (2011/65/UE). Não contém materiais nocivos e proibidos especificados na Diretiva.

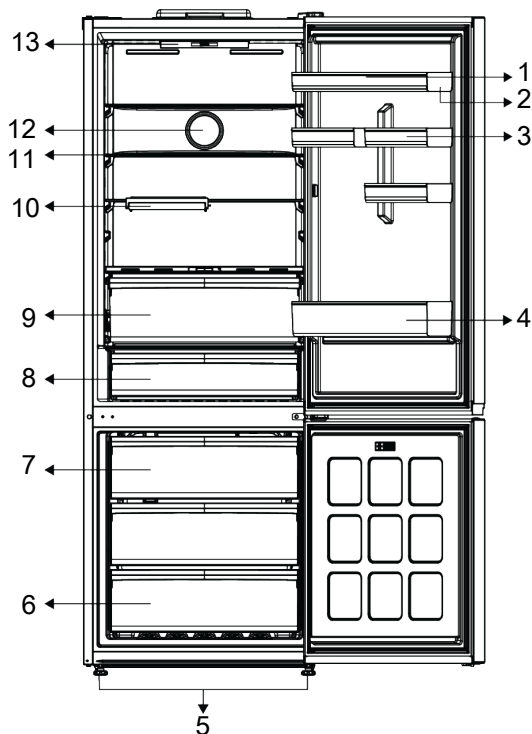


### Informação da embalagem

Os materiais de embalagem do produto são fabricados com materiais recicláveis de acordo com os nossos Regulamentos Ambientais Nacionais. Não eliminar os materiais de embalagem, em conjunto com os resíduos domésticos ou outros. Colocá-los nos pontos de recolha de material de embalagem designados pelas autoridades locais.

### 3 O seu Frigorífico

PT



- |                                 |                                  |
|---------------------------------|----------------------------------|
| 1 Suporte para ovos             | 2 Prateleira ajustável de porta  |
| 3 * Prateleira de porta pequena | 4 Prateleira para garrafas       |
| 5 Suportes ajustáveis           | 6 Compartimento do congelador    |
| 7 Recipiente Icebox             | 8 Gaveta de armazenamento a frio |
| 9 Gaveta para frescos           | 10 * Prateleira dobrável         |
| 11 Prateleira ajustável         | 12 Ventilador                    |
| 13 Iluminação                   |                                  |

**\*Opcional:** As imagens neste manual do utilizador são esquemáticas e podem não coincidir com o seu produto. Se o seu produto não incluir peças relevantes, a informação diz respeito a outros modelos.

### 4 Instalação



Ler primeiro a secção "Instruções de segurança"!

## 4.1 Lugar correto para a instalação

Contactar a Assistência Autorizada para a instalação do produto. Para preparar o produto para a instalação, consultar a informação no manual do utilizador e assegurar que as ligações elétricas e da água estão conforme é exigido. Se não, contactar um electricista e um canalizador para fazer as adequações necessárias.



### ADVERTÊNCIA:

O fabricante não assume qualquer responsabilidade por quaisquer danos causados por trabalho realizado por pessoas não autorizadas.



### ADVERTÊNCIA:

O cabo de alimentação do produto deve ser desligado durante a instalação. Não o fazer pode resultar em morte ou lesões graves!



### ADVERTÊNCIA:

Se o vão da porta for muito estreito para o produto passar, retirar a porta e voltar o produto de lado; se isso não resultar, contactar a assistência autorizada.

- Colocar o produto numa superfície plana para evitar vibração.
- Colocar o produto afastado pelo menos 30 cm de aquecedor, fogão e fontes de calor similares e pelo menos a 5 cm de fornos elétricos.
- Não expor o produto a luz solar direta ou manter o mesmo em ambientes húmidos.
- Este produto exige circulação de ar adequada para funcionar eficientemente. Se o produto for colocado num nicho, devem ser deixados pelo menos 5 cm de espaço entre o produto e o teto, as paredes traseiras e laterais.

- Verificar se o componente de proteção de espaço da parede traseira está presente na sua localização (se fornecido com o produto).
- Se o componente não estiver disponível, ou se se perder ou cair, posicionar o produto de forma a deixar pelo menos 5 cm de espaço entre o produto e as paredes da divisão. O espaço na parte traseira é importante para o funcionamento eficiente do produto.

## 4.2 Ligação elétrica



Não usar extensões ou tomadas múltiplas na ligação elétrica.



Cabo de alimentação danificado deve ser substituído pela assistência autorizada.



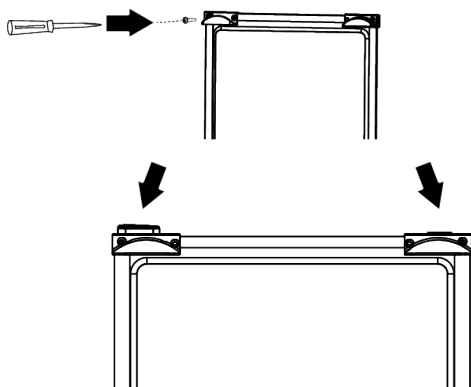
Ao colocar dois frigoríficos em posição adjacente, deixe pelo menos 4 cm de distância entre as duas unidades.

- A nossa empresa não assumirá responsabilidade por quaisquer danos devido à utilização sem ligação da alimentação elétrica e à terra em conformidade com os regulamentos nacionais.
- A ficha do cabo de alimentação deve ser facilmente acessível após a instalação.
- Não usar fichas múltiplas com ou sem cabo de extensão entre a tomada de parede e o frigorífico.

## 4.3 Fixar as cunhas de plástico

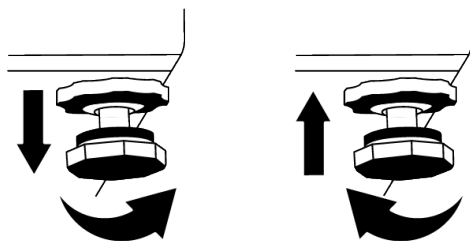
Usar as cunhas de plástico fornecidas com o produto para manter o espaço suficiente para a circulação do ar entre o produto e a parede.

1. Para fixar as cunhas, retirar os parafusos do produto e usar os parafusos fornecidos com as cunhas.
2. Fixar 2 cunhas de plástico na tampa de ventilação, conforme mostrado na figura.



#### 4.4 Ajustar os pés

Se o produto não estiver em posição equilibrada, ajustar os pés frontais ajustáveis rodando-os para a direita ou esquerda.



PT

#### 4.5 Advertência de superfície quente

As paredes laterais do produto encontram-se equipadas com tubos de refrigeração para melhorar o sistema de arrefecimento. O fluido de alta pressão pode fluir através destas superfícies e provocar superfícies quentes nas paredes laterais. Isto é normal e não exige assistência. Deve ter cuidado quando contactar estas zonas.

## 5 Preparação



Ler primeiro a secção "Instruções de segurança"!

### 5.1 O que fazer para poupar energia



Ligar o produto a sistemas eletrónicos de poupança de energia é prejudicial, pois pode danificar o produto.

- Este aparelho de refrigeração não é destinado a ser usado como aparelho de encastrar.
- Não manter as portas do frigorífico abertas durante longos períodos.
- Não colocar alimentos ou bebidas quentes no frigorífico.
- Não encher demasiado o frigorífico; bloquear o fluxo de ar interior reduzirá a capacidade de arrefecimento.
- Dado que o ar húmido e quente não irá penetrar diretamente no seu produto quando as portas não estão abertas, o seu produto irá otimizar-se em condições suficientes para proteger os seus alimentos. Nestas circunstâncias, as

funções e os componentes como o compressor, ventilador, aquecedor, descongelador, iluminação, visor, etc. irão funcionar de acordo com as necessidades através do consumo mínimo de energia.

- No caso de existirem várias opções, as prateleiras de vidro devem ser colocadas de forma a que as saídas de ar na parede posterior não fiquem bloqueadas, de preferência que as saídas de ar fiquem abaixo da prateleira de vidro. Esta combinação pode ajudar a melhorar a distribuição do ar e a eficiência energética.
- É fortemente recomendado usar a gaveta por baixo quando estiver a armazenar alimentos.
- Dependendo das características do produto; descongelar alimentos congelados no compartimento de refrigeração vai garantir poupança de energia e preservar a qualidade dos alimentos.



- De modo a carregar a quantidade máxima de alimentos no compartimento do congelador do seu frigorífico, as gavetas superiores devem ser retiradas e os alimentos devem ser colocados nas prateleiras de vidro/metálicas.
- Os alimentos devem ser armazenados nas gavetas do compartimento frigorífico, de forma a garantir a poupança de energia e proteger os alimentos em melhores condições.
- As embalagens de alimentos não devem estar em contacto direto com o sensor de temperatura localizado no compartimento do congelador.

## 5.2 Primeira utilização

Antes de utilizar o seu frigorífico, assegurar que os preparativos necessários são feitos de acordo com as instruções em "Instruções de segurança e meio ambiente" e as secções da "Instalação".

- Manter o produto a funcionar sem colocar quaisquer alimentos durante 6 horas e não abrir a porta, a menos que seja absolutamente necessário.
- A alteração da temperatura provocada pela abertura e fecho da porta enquanto estiver a usar o produto pode normalmente levar à formação de condensação nas prateleiras da porta/interiores e nos utensílios de vidro colocados no produto.



Será ouvido um som quando o compressor for acionado. É normal para o produto fazer ruído mesmo de o compressor não estiver a funcionar, dado poder existir fluído e gás comprimido no sistema de refrigeração.



É normal que as arestas da frente do frigorífico fiquem quentes. Estas áreas são concebidas para aquecer para impedir a condensação.



Em alguns modelos, o painel indicador desliga automaticamente 1 minuto depois de a porta fechar. Será reativado quando a porta for aberta ou qualquer botão for premido.

## 5.3 Classe climática e definições

Consultar a Classe Climática na placa de classificação do seu aparelho. Uma das informações seguintes é aplicável ao seu aparelho de acordo com a Classe Climática.

- **SN:** Clima temperado longa duração: Este dispositivo foi concebido para usado a temperatura ambiente entre 10 °C e 32°C.
- **N:** Clima temperado: Este dispositivo foi concebido para ser usado a temperatura ambiente entre 16°C e 32°C.
- **ST:** Clima subtropical: Este dispositivo foi concebido para usado a temperatura ambiente entre 16°C e 38°C.
- **T:** Clima tropical: Este dispositivo foi concebido para usado a temperatura ambiente entre 16°C e 43°C.

## 6 Funcionar com o produto



Ler primeiro a secção "Instruções de segurança"!

- Não usar nenhuma ferramenta mecânica ou qualquer outra ferramenta diferente das recomendações do fabricante para acelerar a operação de descongelamento.

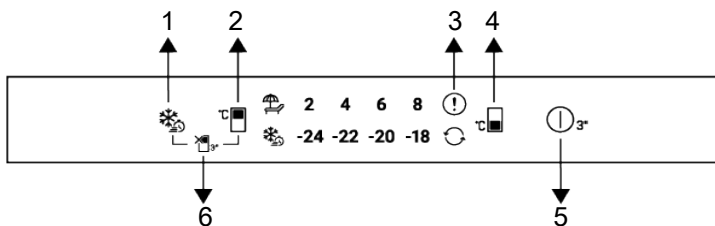
- Não usar peças do frigorífico, tais como a porta ou gavetas, como apoio ou degrau. Isto pode fazer com que o produto tombe ou que os componentes fiquem danificados.
- O produto deve ser usado apenas para armazenar alimentos.
- Fechar a válvula de água se for ficar longe de casa (por ex., nas férias) e não for usar o Icematic ou o dispensador de água durante um longo período de tempo. Caso contrário, podem ocorrer fugas de água.

### Pausar o programa

- Se não for utilizar o produto durante um longo período de tempo, deve desligar o mesmo da tomada.
- Remover os alimentos para evitar odores.
- Aguardar que o gelo derreta, limpar o interior e deixar que o mesmo seque, deixar as portas abertas para evitar danos nos plástico da estrutura interior.

## 7 Uso do seu aparelho

### 7.1 Painel de controlo de produto



- |                                 |   |
|---------------------------------|---|
| 1 Tecla de congelação rápida    | 2 Tecla de definição da temperatura do compartimento do frigorífico |
| 3 Indicador do estado do erro   | 4 Tecla de definição de temperatura do compartimento do congelador  |
| 5 Botão para desligar o produto | 6 Tecla de função desligar compartimento do frigorífico (Férias)    |

Ler primeiro a secção “Instruções de segurança”.

As funções sonoras e visuais no painel indicador ajudarão a usar o frigorífico.

**\*Opcional:** As funções mostradas são opcionais, podem existir diferenças de forma e localização nas funções encontradas no painel indicador do seu aparelho.

#### 1. Tecla de congelação rápida

Quando a tecla de congelação rápida é premida, o símbolo de congelação rápida ( ) deve ser aceso e a função de congelação rápida é ativada. A temperatura do

compartimento do congelador é definida para -27 °C. Premir a tecla de novo para cancelar a função. A função de congelação rápida será cancelada automaticamente após algum tempo. Para congelar uma grande quantidade de alimentos frescos, premir a tecla de congelação rápida antes de colocar os alimentos no compartimento congelador.

## 2. Tecla de definição de temperatura do compartimento do frigorífico

Permite a definição de temperatura para o compartimento do frigorífico. Premir a tecla irá permitir que a temperatura do compartimento do frigorífico seja definida em 8,6,4,2 °C.

## 3. Indicador da condição de erro

Este indicador é ativado quando o frigorífico não está a arrefecer o suficiente ou quando ocorre um erro do sensor. Os indicadores de temperatura do congelador e do frigorífico começam a piscar em determinadas combinações. Isto notifica o serviço acerca do erro que ocorreu. Se colocar comida quente no compartimento do congelador ou deixar a porta aberta durante muito tempo, o ponto de exclamação pode acende durante alguns instantes. Isto não é uma avaria, este aviso será removido quando o alimento for arrefecido ou quando qualquer tecla for premida.

## 4. Tecla de definição de temperatura do compartimento do congelador

A definição de temperatura é feita para o compartimento do congelador. A temperatura do compartimento de congelação podem ser definidas em -18, -20, -22, -24 °C premindo o botão.

## 7.2 Guardar alimentos no compartimento do congelador


### Guardar alimentos no compartimento do congelador

- As temperaturas do compartimento aumentam consideravelmente se a porta do compartimento for aberta e fechada com frequência e mantida aberta durante muito tempo, isto pode reduzir a vida útil dos alimentos e fazer com que os alimentos fiquem deteriorado.
- Para não provocar alterações de odor e sabor, os alimentos devem ser armazenados em recipientes fechados.
- Não guardar demasiados alimentos no seu frigorífico. Para obter um arrefecimento melhor e homogéneo,

## 5. Botão para desligar o produto

Quando este botão for premido durante 3 segundos, o dispositivo muda para o estado desligado. Neste estado, o frigorífico não realiza a refrigeração; quando o botão for premido de novo durante 3 segundos, o frigorífico inicia o funcionamento normal.

## 6. Tecla de função desligar (Férias) do compartimento do frigorífico

Para ativar a função férias, premir o botão durante 3 segundos. O modo férias é ativado e o ícone de férias  acende. Todos os ícones no indicador de temperatura do compartimento do frigorífico desligam-se e o compartimento do frigorífico não realiza uma refrigeração ativa. Quando esta função está ativada, é avisado contra o armazenamento de alimentos no compartimento do frigorífico. Os outros compartimentos continuam a arrefecer de acordo com a respetiva temperatura definida. Premir de novo a tecla durante 3 segundos para cancelar esta função.

colocar os alimentos separadamente de forma que o ar frio possa circular por entre os mesmos.

- Proporcionar fluxo de ar deixando um espaço entre o alimento e a parede interior. Se encostar os alimentos à parede traseira, os alimentos podem congelar.
- Levar as refeições quentes cozinhadas à temperatura ambiente, antes de as colocar no frigorífico. Em seguida, pode colocar a refeição morna nas prateleiras mais baixas do frigorífico. Não colocar refeições mornas junto de alimentos que se possam deteriorar com facilidade.

- Prestar especial atenção para não misturar alimentos vendidos congelados com alimentos frescos.
- Descongelar os alimentos congelados no compartimento de alimentos frescos. Assim, pode arrefecer o compartimento de alimentos frescos usando alimentos congelados e poupar energia.
- O armazenamento de frutas tropicais verdes (manga, variedades de melão, mamão, papaia, banana, ananás) no frigorífico pode acelerar o processo de maturação. Isto não é recomendado porque irá provocar um tempo de armazenamento mais curto.
- Deve armazenar cebolas, alhos, gengibre e outros tubérculos em condições ambientais escuras e frias, não no frigorífico.
- Se observar que um alimento está deteriorado no frigorífico, deve deitá-lo fora e limpar os acessórios que tenham estado em contacto com o mesmo.
- Para arrefecer rapidamente as refeições como sopas e ensopados, que são cozidos em panelas grandes, pode colocá-las no frigorífico separando-os nos seus próprios recipientes rasos.
- Não colocar alimentos não embalados perto de ovos.
- Manter as a frutas e os legumes separados e armazenar cada variedade em conjunto (por exemplo, maçãs com maçãs, cenouras com cenouras).
- Retirar os legumes verdes do saco de plástico e colocar no frigorífico depois de os envolver em papel de cozinha ou pano de secagem. Se lavar este tipo de alimentos antes de os colocar no frigorífico, lembrar-se de os secar.
- Pode criar um ambiente húmido e fornecer um fluxo de ar, mantendo frutas e legumes, que sejam propensos a secar, em sacos de plástico perfurados ou não fechados.
- Exceto nos casos em que circunstâncias extremas estão disponíveis no ambiente, se o seu produto (na tabela de valores definidos recomendados) estiver definido para os valores definidos especificados, os alimentos mantêm a frescura durante mais tempo, tanto no compartimento de produtos frescos como no compartimento do congelador.

Armazenar os alimentos em diferentes locais de acordo com suas propriedades:	
Alimento	Localização
Ovos	Prateleiras da porta
Produtos láteos (manteiga, queijo)	Se disponível, compartimento zero graus (para alimentos para o pequeno-almoço)
Frutos, legumes e hortaliças	Compartimento frutas-legumes, gaveta para frescos ou
	Compartimento EverFresh+ (se disponível)
Carne fresca, aves, peixe, salsichas, etc. Alimentos cozinhados	Se disponível, compartimento zero graus (para alimentos para o pequeno-almoço)
Alimentos prontos a servir, produtos embalados, alimentos enlatados e pickles	Prateleiras superiores ou prateleira da porta
Bebidas, garrafas, especiarias e petiscos	Prateleiras da porta

### Guardar alimentos no Compartimento do congelador

- Pode ativar a função de Congelação Rápida 4-6 horas antes da função de congelação e realizar um arrefecimento mais rápido.
- Levar as refeições quentes à temperatura ambiente, antes de as colocar no compartimento congelador.
- Os alimentos a serem congelados devem ser divididos em porções de acordo com o tamanho a ser consumido e congelados em embalagens separadas.

- É recomendado embalar os alimentos antes de os colocar no congelador.
- A fim de evitar a expiração do tempo de armazenamento, gravar a data de congelação, de tempo e nome do produto na embalagem de acordo com os períodos de armazenamento dos diferentes alimentos.
- Consumir rapidamente os alimentos que descongelou. Os alimentos descongelados não podem ser congelados novamente, exceto se estiverem cozinhados. Não é seguro consumir os alimentos frescos congelados de novo sem os cozinhar depois de descongelados.
- Quando congelar alimentos frescos, não deixar que fiquem em contacto com alimentos já congelados. Caso contrário, os alimentos congelados serão descongelados.
- Comprar os alimentos congelados que são armazenados a  $-18^{\circ}\text{C}$  ou temperaturas inferiores.
- Evitar comprar alimentos cujas embalagens estejam cobertas de gelo, etc. Isto significa que o produto pode ter sido parcialmente descongelado e congelado novamente. A temperatura afeta a qualidade dos alimentos.
- Não exceder o tempo de armazenamento recomendado pelo produtor do alimento. Retirar apenas a quantidade necessária de alimentos do congelador.
- Exceto nos casos em que circunstâncias extremas estão disponíveis no ambiente, se o seu produto (na tabela de valores definidos recomendados) estiver definido para os valores definidos especificados, os alimentos mantêm a frescura durante mais tempo, tanto no compartimento de produtos frescos como no compartimento do congelador.

### **Armazenar alimentos que são vendidos congelados**

- Seguir sempre as instruções do produtor em relação ao tempo durante o qual deve armazenar os seus alimentos. Não exceder o tempo especificado nestas instruções!
- Para proteger a qualidade dos alimentos, manter o intervalo de tempo entre a compra e o armazenamento o mais curto possível.
- Se o compartimento de alimentos frescos estiver definido para uma temperatura mais baixa, frutas e legumes frescos podem ficar parcialmente congelados.
- Os compartimentos de duas estrelas são adequados para alimentos pré-congelados. Podem ser armazenados gelados e cubos de gelo.
- Não congelar alimentos em compartimentos com uma, duas e três estrelas.

Carne e Peixe		Preparação	Prazo mais longo de armazenamento (mês)	
Produtos de carne	Vitela	Bife	Cortar os mesmos com 2 cm de espessura e colocar papel alumínio entre eles ou embrulhar firmemente com película aderente.	6-8
		Assado	Embalar os pedaços de carne num saco para congelador ou embrulhar firmemente com película aderente.	6-8
		Cubos	Em pedaços pequenos	6-8
		Panado, costeletas	Colocar papel alumínio entre as fatias cortadas ou embrulhar individualmente com película aderente.	6-8
	Carneiro	Costeletas	Colocar papel alumínio entre os pedaços de carne ou embrulhar individualmente com película aderente.	4-8
		Assado	Embalar os pedaços de carne num saco para congelador ou embrulhar firmemente com película aderente.	4-8
		Cubos	Embalar a carne cortada num saco para congelador ou embrulhar firmemente com película aderente.	4-8
	Novilho	Assado	Embalar os pedaços de carne num saco para congelador ou embrulhar firmemente com película aderente.	8-12
		Bife	Cortar os mesmos com 2 cm de espessura e colocar papel alumínio entre eles ou embrulhar firmemente com película aderente.	8-12
		Cubos	Em pedaços pequenos	8-12
		Carne cozida	Embalar em pedaços pequenos num saco para congelação.	8-12
	Picada	Sem temperos, em sacos planos.	1-3	
	Miúdos (pedaço)	Em pedaços	1-3	
	Salsicha fermentada - Salame	Deve ser embalada mesmo que tenham um invólucro.	1-3	
	Presunto	Colocar película aderente entre as fatias cortadas	2-3	
	Aves e caça	Frango e peru	Envolver em película aderente	4-6
		Ganso	Envolver em película aderente (as porções não devem exceder 2,5 kg)	4-6
		Pato	Envolver em película aderente (as porções não devem exceder 2,5 kg)	4-6
Veado, coelho, cabrito		Envolver em película aderente (as porções não devem exceder 2,5 kg)	6-8	
Peixe e marisco	Peixe de água-doce (Truta, carpa, peixe-gato)	Depois de limpar bem o interior e as escamas, deve-se lavar e secar, e cortar a cauda e a cabeça quando necessário.	2	
	Peixe magro (robalo, pregado, linguado)		4-6	
	Peixe gordo (bonito, cavala, anchova, salmonete, anchova)		2-4	
	Moluscos e crustáceos		Limpos e em sacos	4-6
	Caviar		Na embalagem respetiva, num recipiente de alumínio ou de plástico	2-3

“Os períodos especificados na tabela são baseados na temperatura de armazenamento de -18°C.”

Frutas e vegetais	Preparação	Prazo mais longo de armazenamento (mês)
Feijão verde e feijão	Ferver por 3 minutos após a lavagem e cortar em pedaços pequenos	10-13
Ervilha	Ferver por 2 minutos depois de descascar e lavar	10-12
Repolho	Ferver por 1-2 minutos depois de lavar	6-8
Cenoura	Ferver por 3-4 minutos depois de lavar e cortar em pedaços	12
Pimenta	Ferver por 2-3 minutos depois de cortar o caule, dividir em dois e separar as sementes	8-10
Espinafre	Ferver por 2 minutos depois de lavar e limpar	6-9
Alho francês	Ferver por 5 minutos depois de cortar em pedaços	6-8
Couve-flor	Ferver num pouco de água com limão por 3-5 minutos depois de separar as folhas, cortar o miolo em pedaços	10-12
Beringela	Ferver por 4 minutos depois de lavar e cortar em pedaços de 2 cm	10-12
Abóbora	Por fervura de choque durante 2-3 minutos depois de lavar e cortar em pedaços de 2 cm	8-10
Cogumelo	Saltear ligeiramente em óleo e espremer um limão sobre o mesmo	2-3
Milho	Limpar e embalar com a espiga ou em grão	12
Maçã e pera	Ferver por 2-3 minutos depois de descascar e de cortar em fatias	8-10
Alperce e pêssego	Dividir ao meio e retirar os caroços	4-6
Morango e framboesa	Lavar e descascar	8-12
Fruta cozida	Adicionar 10% de açúcar no recipiente	12
Ameixa, cereja, ginja	Lavar e retirar os talos	8-12

“Os períodos especificados na tabela são baseados na temperatura de armazenamento de -18°C.”

Produtos láteos	Preparação	Prazo mais longo de armazenamento (mês)	Condições de armazenamento
Queijo (exceto queijo feta)	Colocar película aderente entre as fatias	6-8	Pode ser deixado na embalagem original para armazenamento de curta duração Para armazenamento de longa duração deve ser envolvido em folha alumínio ou de plástico
Manteiga, margarina	Na respetiva embalagem	6	Na respetiva embalagem ou em recipientes de plástico

“Os períodos especificados na tabela são baseados na temperatura de armazenamento de -18°C.”

“A quantidade de alimentos frescos que podem ser congelados durante um determinado período de tempo está especificada na etiqueta de tipo.”

Compartimento do congelador Definição	Compartimento do frigorífico Definição	Observações
-20°C	4°C	Isto é por defeito, definições recomendadas. Esta definição é recomendada se a temperatura ambiente for inferior a 30°C.
-22 ou -24 °C	4°C	Estas definições são recomendadas para temperaturas ambientes excedendo 30°C.
Congelamento Rápido	4°C	Usar quando pretender congelar alimentos num curto espaço de tempo. Quando o processo termina, as definições do produto irão voltar à posição anterior.
-18°C ou mais frio	2°C	Usar estas definições, se acredita que o compartimento de refrigeração não está frio o suficiente devido à temperatura ambiente ou a abertura frequente da porta.

### Detalhes do congelador

De acordo com as normas IEC 62552, o congelador deve ter a capacidade de congelar 4,5 kg de itens alimentares a -18°C ou temperaturas inferiores em temperatura ambiente de 25°C em 24 horas por cada 100 litros do volume do compartimento do congelador.

Os produtos podem somente ser conservados por períodos prolongados a uma temperatura inferior a -18 °C.

Pode manter os alimentos frescos durante meses (no congelador a temperaturas de ou abaixo de -18 °C).

Os produtos alimentares a congelar não devem entrar em contacto com os alimentos já congelados no seu interior para evitar uma descongelação parcial. Ferver os legumes e filtrar a água para aumentar o tempo de armazenamento congelado. Colocar os alimentos em embalagens a vácuo após a filtragem e colocar no congelador. Bananas, tomates, alface, aipo, ovos cozidos, batatas e alimentos semelhantes não devem ser congelados. No caso destes alimentos estarem congelados, somente os valores nutricionais e as qualidades de consumo serão afetadas negativamente. O apodrecimento ameaçador da saúde humana não está em questão.

### Colocar os alimentos

#### Prateleiras do compartimento do congelador:

Diferentes alimentos congelados como carne, peixe, gelado, legumes etc.

#### Prateleiras do compartimento refrigerador:

Alimentos dentro de recipientes, prato com tampa e caixas com tampa, ovos (em caso fechado)

#### Prateleiras da porta do compartimento refrigerador:

Alimentos ou bebidas pequenos e embalados

#### Gaveta para frescos:

Legumes e fruta

#### Compartimento de alimentos frescos:

Charcutaria (pequeno-almoço, produtos de carne a serem consumidos a curto prazo)

### 7.3 Zona de armazenamento de produtos láteos frios

#### Gaveta de armazenamento a frio

A gaveta de armazenamento a frio pode atingir temperaturas mais baixas no compartimento mais frio. Usar esta gaveta para produtos de charcutaria (salame, salsichas, etc.) e produtos láteos que exigem condições de armazenamento mais frias ou para carne, frango ou peixe a ser consumido rapidamente. Não é adequado armazenar frutas e vegetais nesta gaveta.



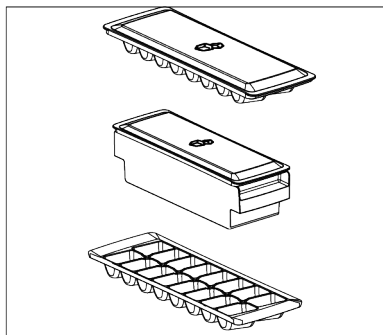
## 7.4 Zona de armazenamento de gelo

### Recipiente de gelo

O balde do gelo permite-lhe retirar facilmente o gelo do frigorífico.

### Usar o balde do gelo

1. Retirar o balde do gelo do compartimento do congelador.
2. Encher o balde de gelo com água.
3. Colocar o balde de gelo no compartimento do congelador. O gelo ficará pronto após aproximadamente duas horas.
4. Retirar o balde de gelo do compartimento do congelador e dobrá-lo ligeiramente sobre o suporte que vai usar. O gelo irá cair facilmente sobre o suporte de serviço.



## 7.5 Inverter o lado de abertura da porta

O lado de abertura da porta do seu frigorífico pode ser invertido de acordo com o local onde o vai colocar. Quando isto é necessário, deve definitivamente contactar o Serviço Autorizado mais próximo.

## 7.6 Alerta de porta aberta

O sistema de alerta de porta aberta do seu frigorífico pode diferir dependendo do modelo.

### Versão 1

Se a porta do produto se mantiver aberta durante um determinado tempo (entre 60 e 120 seg), é emitido um sinal de áudio de

advertência; dependendo do modelo do produto, pode igualmente ser exibido um sinal de visual de advertência (flash de luz). Se fechar a porta do aparelho ou premir um botão no ecrã do aparelho, se houver, o som de advertência irá parar.

### Versão 2

Se a porta do aparelho se mantiver aberta durante um determinado período de tempo (entre 60 e 120 seg), é emitido o alerta de porta aberta. O alerta de porta aberta é emitido gradualmente. Em primeiro lugar, começa a ser emitido uma advertência audível. Após 4 minutos, se a porta se mantiver aberta, é ativada uma advertência visual (flash de luz) O alerta de porta aberta será diferido durante um determinado período de tempo (entre 60 e 120 seg) quando for premida qualquer tecla no ecrã do produto, se existir. Depois, o processo irá iniciar-se novamente. Quando a porta do aparelho for fechada, o alerta de porta aberta será cancelado.

## 7.7 Substituição da lâmpada Iluminação

Contactar o Serviço Autorizado quando a lâmpada/LED usada para iluminar o seu frigorífico for para ser substituída.

A(s) lâmpada(s) usada(s) neste aparelho não pode(m) ser usada(s) para iluminação doméstica. O uso pretendido desta lâmpada é ajudar o utilizador a colocar alimentos no frigorífico/congelador com segurança e conforto.

## 7.8 AeroFlow

É um sistema de distribuição de ar que fornece uma distribuição homogénea da temperatura. Com a circulação de ar, a distribuição homogénea da temperatura é assegurada no compartimento de armazenamento de alimentos frescos e a flutuação da temperatura é mantida em níveis reduzidos. Não é feita a disseminação de ar direto sobre os alimentos e isso ajuda a reduzir a perda de humidade. Isto preserva a frescura dos alimentos armazenados no compartimento

de alimentos frescos do frigorífico. Deste modo, os seus alimentos são armazenados a temperaturas mais estáveis e o contacto com o ar é reduzido. A secagem e a contração dos alimentos ao perderem a

humidade é evitada e a frescura é permitida durante um período de tempo mais longo.

## 8 Manutenção e limpeza



### **ADVERTÊNCIA:**

Ler primeiro a secção “Instruções de segurança”.



### **ADVERTÊNCIA:**

Desligar o frigorífico da ficha antes de o limpar.

- Não usar ferramentas afiadas ou abrasivas para limpar o produto. Não usar materiais tais como produtos de limpeza doméstica, detergentes, sabão, gás, gasolina, álcool, cera, etc.
- O pó deve ser retirado da grade de ventilação na parte traseira do produto pelo menos uma vez por ano (sem abrir a tampa). Limpar o produto com um pano seco.
- Ter cuidado para manter a tampa da lâmpada e outras peças elétricas afastadas da água.
- Limpar a porta com um pano macio e humedecido. Retirar todo o conteúdo para remover as prateleiras da porta e da estrutura. Remover as prateleiras da porta levantando-as para cima. Limpar e secar as prateleiras e, em seguida, voltar a colocá-las no lugar deslizando de cima para baixo.
- Não usar lixívia ou produtos de limpeza na superfície exterior e nas partes revestidas a cromo do produto. A lixívia dá origem a corrosão nas referidas superfícies metálicas.
- Não usar ferramentas afiadas e abrasivas, sabão, materiais de limpeza doméstica, detergentes, gás, gasolina, verniz e substâncias semelhantes para evitar a deformação da peça de plástico e remoção de impressões na peça. Usar água morna e um pano macio para limpar e secar.

- Nos produtos sem a funcionalidade No-Frost, podem ocorrer gotas de água e gelo com a espessura de um dedo na parede traseira do compartimento congelador. Não limpar e nunca aplicar óleos ou soluções similares.
- Usar um pano em microfibra ligeiramente humedecido para limpar a superfície exterior do produto. Esponjas e outros tipos de panos de limpeza podem causar riscos.
- Para limpar todos os componentes amovíveis durante a limpeza da superfície interior do produto, lavar esses componentes com uma solução neutra composta por sabão, água e carbonato. Lavar e secar em profundidade. Evitar o contacto da água com componentes de iluminação e o painel de controlo.



### **CUIDADO:**

Não usar vinagre, álcool isopropílico ou outras soluções de limpeza à base de álcool em qualquer das superfícies interiores.

### **Superfícies exteriores em aço inoxidável**

Usar um agente de limpeza não abrasivo para aço inoxidável e aplicar com um pano macio que não solte cotão. Para polir, limpar suavemente a superfície com um pano em microfibra humedecido com água e usar uma camurça para polir. Deve seguir sempre os veios do aço inoxidável.

### **Evitar odores**

O produto é fabricado livre de quaisquer materiais odoríferos. No entanto, manter os alimentos em secções inadequadas e a limpeza inadequada das superfícies interiores pode causar odores.

- Para evitar isto, limpar o interior com água carbonatada a cada 15 dias.
- Manter os alimentos em recipientes fechados, dado poderem surgir microorganismos a partir dos alimentos em recipientes não fechados que provocarão maus odores.

- Não manter alimentos expirados e estragados no frigorífico.

### **Proteger as superfícies de plástico**

Óleo derramado sobre superfícies de plástico pode danificar a superfície e deve ser limpo imediatamente com água morna.

## **9 Resolução de problemas**

Verificar esta lista antes de contactar o serviço. Ao fazê-lo poupará tempo e dinheiro. Esta lista inclui queixas frequentes que não são relacionadas com mão-de-obra ou materiais. Determinadas funções aqui referidas podem não ser aplicáveis ao seu produto.

### **O frigorífico não está a funcionar.**

- A ficha de alimentação não está totalmente encaixada. >>> Ligar a mesma para a encaixar totalmente na tomada.
- O fusível ligado à tomada para alimentar o produto ou o fusível principal rebentou. >>> Verificar o fusível.

### **A condensação na parede lateral do compartimento de refrigeração (ZONA MÚLTIPLA, CONTROLO FRIO e ZONA FLEXI)**

- A porta é aberta com demasiada frequência. >>> Ter o cuidado para não abrir a porta do produto com demasiada frequência.
- O ambiente é demasiado húmido. >>> Não instalar o produto em ambientes húmidos.
- Os alimentos que contêm líquidos são mantidos em recipientes não fechados. >>> Manter os alimentos que contêm líquidos em recipientes fechados.
- A porta do produto foi deixada aberta. >>> Não manter a porta do produto aberta durante longos períodos.
- O termostato está definido para uma temperatura muito fria. >>> Definir o termostato para uma temperatura apropriada.

### **O compressor não está a funcionar.**

- No caso de uma falha repentina de energia ou de retirar a ficha de alimentação e de a voltar a colocar, a pressão do gás no sistema de refrigeração do produto não está equilibrada, o que faz acionar a proteção térmica do compressor. O produto irá arrancar depois de aproximadamente 6 minutos. Se o produto não arrancar após este período de tempo, deve contactar o serviço.
- A descongelação está ativa. >>> Isto é normal para um produto com descongelação totalmente automática. A descongelação é realizada periodicamente.
- O produto não está ligado. >>> Assegurar que o cabo de alimentação está ligado.
- A definição da temperatura está incorreta. >>> Selecionar a definição apropriada da temperatura.
- A alimentação está desligada. >>> O produto irá continuar a operar normalmente após a alimentação ser reposta.

### **O ruído de funcionamento do frigorífico está a aumentar quando este está a ser utilizado.**

- O desempenho de funcionamento do produto pode variar dependendo das variações da temperatura ambiente. Isto é normal e não é um mau funcionamento.

### **O frigorífico funciona com demasiada frequência ou durante longos períodos.**

- O novo produto pode ser maior que o anterior. Os produtos maiores irão funcionar por períodos mais longos.

- A temperatura ambiente pode estar alta. >>> O produto funcionará normalmente por longos períodos em temperatura ambiente mais elevada.
- O produto pode ter sido ligado recentemente ou foi colocado no seu interior um produto alimentar novo. >>> O produto levará mais tempo a atingir a temperatura definida quando recentemente ligado ou foi colocado no seu interior um novo produto alimentar. Isto é normal.
- Podem ter sido colocados dentro do produto grandes quantidades de alimentos quentes. >>> Não colocar alimentos quentes dentro do produto.
- As portas foram abertas com frequência ou mantidas abertas durante longos períodos. >>> O ar quente que se desloca dentro do produto fará com que o produto funcione durante mais tempo. Não abrir as portas com demasiada frequência.
- A porta do congelador ou do refrigerador podem estar entreabertas. >>> Verificar se as portas estão totalmente fechadas.
- O produto pode estar definido para uma temperatura demasiado baixa. >>> Definir a temperatura para um valor mais alto e aguardar que o produto atinja a temperatura ajustada.
- A anilha do refrigerador ou do congelador pode estar suja, gasta, partida ou incorretamente encaixada. >>> Limpar ou substituir a junta. A anilha da porta danificada/rasgada fará com que o produto funcione durante períodos mais longos para preservar a temperatura atual.

**A temperatura do congelador é muito baixa, mas a temperatura do refrigerador é adequada.**

- A temperatura do compartimento do congelador está definida para um valor muito baixo. >>> Definir a temperatura do compartimento do congelador para um valor mais alto e verificar novamente.

**A temperatura do compartimento de refrigeração é muito baixa, mas a temperatura do congelador é adequada.**

- A temperatura do compartimento de refrigeração está definida para um valor muito baixo. >>> Definir a temperatura do compartimento de refrigeração para um valor mais alto e verificar novamente.

**Os produtos alimentares mantidos nas gavetas do compartimento do refrigerador estão congelados.**

- A temperatura do compartimento de refrigeração está definida para um valor muito baixo. >>> Definir a temperatura do compartimento de refrigeração para um valor mais alto e verificar novamente.

**A temperatura no compartimento de refrigeração ou no congelador é muito alta.**

- A temperatura do compartimento de refrigeração está definida para um valor muito alto. >>> A definição da temperatura do compartimento de refrigeração tem um efeito na temperatura do compartimento do congelador. Aguardar até que a temperatura das partes relevantes atinjam o nível suficiente alterando a temperatura do compartimento de refrigeração ou a temperatura do congelador.
- As portas foram abertas com frequência ou mantidas abertas durante longos períodos. >>> Não abrir a porta com demasiada frequência.
- A porta pode estar entreaberta. >>> Fechar totalmente a porta.
- O produto pode ter sido ligado recentemente ou foi colocado no seu interior um produto alimentar novo. >>> Isto é normal. O produto levará mais tempo a atingir a temperatura definida quando recentemente ligado ou foi colocado no seu interior um novo produto alimentar.
- Podem ter sido colocados dentro do produto grandes quantidades de alimentos quentes. >>> Não colocar alimentos quentes dentro do produto.

### **Vibrar ou ruído.**

- A superfície não está plana ou durável >>> Se o produto vibrar quando deslocado lentamente, ajustar os suportes para equilibrar o produto. Assegurar também que o pavimento é suficientemente durável para suportar o produto.
- Quaisquer itens colocados sobre o produto podem provocar ruído. >>> Remover quaisquer itens colocados em cima do produto.
- O produto a fazer ruído de líquido a correr, a pulverizar, etc.
- Os princípios de funcionamento do produto envolvem fluxos de líquido e de gás. >>> Isto é normal e não é um mau funcionamento.

### **Há um som de vento a soprar vindo do produto.**

- O produto usa um ventilador para o processo de refrigeração. Isto é normal e não é um mau funcionamento.

### **Há condensação nas paredes interiores do produto.**

- O tempo húmido ou quente irá aumentar a formação de gelo ou de condensação. Isto é normal e não é um mau funcionamento.
- As portas foram abertas com frequência ou mantidas abertas durante longos períodos. >>> Não abrir as portas com demasiada frequência; se aberta, fechar a porta.
- A porta pode estar entreaberta. >>> Fechar totalmente a porta.

### **Há condensação no exterior do produto ou entre as portas.**

- O meio ambiente pode estar húmido, o que é bastante normal no tempo húmido. >>> A condensação irá desaparecer quando a humidade é reduzida.

### **O interior tem mau cheiro.**

- O produto não é limpo regularmente. >>> Limpar regularmente o interior usando uma esponja, água quente e água gaseificada.

- Determinados recipientes e materiais de embalagem podem provocar odores. >>> Usar recipientes e materiais de embalagem isentos de odor.
- Os alimentos foram colocados em recipientes não fechados. >>> Manter os alimentos em recipientes fechados. Podem espalhar-se microorganismos de produtos alimentares não fechados e provocarem maus odores.
- Remover do produto todos os alimentos fora de prazo ou que se encontrem estragados.

### **A porta não está a fechar.**

- As embalagens dos alimentos podem estar a bloquear a porta. >>> Colocar noutra posição os itens que estão a bloquear as portas.
- O produto não está totalmente na posição vertical no pavimento. >>> Ajustar os suportes para equilibrar o produto.
- A superfície não está plana ou durável >>> Assegurar que a superfície está plana e é suficientemente durável para suportar o produto.

### **A gaveta para frescos está encravada.**

- Os produtos alimentares podem estar em contacto com a secção superior da gaveta. >>> Reorganizar os produtos alimentares na gaveta.

### **Temperatura na superfície do produto.**

- Entre as duas portas, nos painéis laterais e na zona da grelha traseira pode ser observada uma temperatura elevada enquanto o produto estiver em funcionamento. Isto é normal e não exige assistência.

### **O ventilador continua a funcionar quando a porta é aberta.**

- O ventilador pode continuar a funcionar quando a porta do congelador é aberta.



**ADVERTÊNCIA:** Se o problema persistir após ter seguido as instruções nesta secção, contactar o seu vendedor ou um Serviço Autorizado. Não tentar reparar o produto. Isto é normal.

## ISENÇÃO DE RESPONSABILIDADE /ADVERTÊNCIA

Algumas falhas (simples) podem ser tratadas de forma adequada pelo utilizador final sem que surja qualquer problema de segurança ou de utilização não segura, desde que as mesmas sejam solucionadas dentro dos limites e de acordo com as seguintes instruções (consultar a secção “Reparação Autónoma”.

Portanto, exceto se contrariamente autorizado na secção “Reparação Autónoma” abaixo, as reparações devem ser realizadas por profissionais reparadores registados de modo a evitar problemas de segurança. Um reparador profissional registado é um reparador profissional a quem o fabricante concedeu acesso às instruções e à lista de peças de substituição deste produto de acordo com os métodos descritos na lei nos termos da Diretiva 2009/125/CE.

**No entanto, apenas o agente de reparação (ou seja, os reparadores profissionais autorizados) com quem pode entrar em contacto através do número de telefone fornecido no manual do utilizador/cartão da garantia ou através do seu revendedor autorizado que pode fornecer serviços de acordo com os termos de garantia. Portanto, deve estar ciente de que as reparações feitas por reparadores profissionais (que não estejam autorizados pela )Beko anulam a garantia.**

### Reparação Autónoma

A reparação autónoma pode ser feita pelo utilizador final no que se refere às seguintes peças de substituição: pegas da porta, dobradiça da porta, tabuleiros, cestos e vedantes da porta (também está

disponível uma lista atualizada [support.beko.com](http://support.beko.com) desde 1 de março de 2021).

Além disso, para garantir a segurança do produto e evitar o risco de lesões graves, a reparação autónoma referida deve ser feita seguindo as instruções do manual do utilizador para reparação autónoma ou as que estão disponíveis em [support.beko.com](http://support.beko.com). Para sua segurança, deve desligar o produto antes de tentar fazer qualquer reparação autónoma.

As reparações e tentativas de reparação feitas pelos utilizadores finais de peças não incluídas na referida lista e/ou não seguindo as instruções nos manuais do utilizador relativamente à mesma ou que se encontram disponíveis em [support.beko.com](http://support.beko.com), podem levantar questões de segurança não atribuíveis a Beko, e anularão a garantia do produto.

Portanto, é altamente recomendável que os utilizadores finais evitem tentar realizar reparações que não se enquadrem na lista mencionada de peças de substituição, e nesse caso deverão contactar com reparadores profissionais autorizados ou reparadores profissionais registados. Por outro lado, as referidas tentativas por parte dos utilizadores finais podem provocar problemas de segurança e danificar o produto e, subsequentemente, provocar incêndio, inundações, eletrocussão e ferimentos graves.

A título de exemplo, mas não limitado a, as seguintes reparações devem ser realizadas por reparadores profissionais autorizados ou reparadores profissionais registados: compressor, circuito de refrigeração, placa principal, placa do inversor, placa do visor, etc.

O fabricante/vendedor não pode ser responsabilizado em nenhuma circunstância em que os utilizadores finais não cumpram com o acima referido. A disponibilidade de peças de substituição do frigorífico que comprou é de 10 anos. Durante este período, as peças de substituição originais estarão disponíveis para o funcionamento correto do frigorífico.

A duração mínima da garantia do frigorífico que adquiriu é de 24 meses.

Este produto está equipado uma fonte de iluminação com a classe energética "G".

A fonte de iluminação neste produto será somente substituída por um reparador profissional.

Ver também

2 DISCLAIMER / WARNING [ ] 28]

## Cortesemente leggi prima questo manuale!

Gentile Cliente,

**Cortesemente leggi il presente manuale prima di iniziare ad usare il prodotto.**

Ti ringraziamo per aver scelto questo prodotto Beko. Vorremmo che il prodotto, che è stato realizzato con la tecnologia più avanzata, ti possa offrire l'efficienza ottimale. Per questo, prima di utilizzare il prodotto leggi attentamente questo manuale e qualsiasi altra documentazione fornita e conservali per riferimenti futuri.

Presta particolare attenzione alle informazioni e alle avvertenze contenute nel manuale utente. In questo modo proteggerai te stesso e il tuo prodotto da possibili pericoli.

Conserva il manuale utente. Se dovessi consegnare il prodotto a qualcun altro, non dimenticare di includere questo manuale.

**Nel manuale utente sono utilizzati i seguenti simboli:**



Pericolo che potrebbe causare morte o lesioni.



Informazioni importanti o suggerimenti utili sul funzionamento.





Leggi il manuale utente.



Materiale combustibile, pericolo di incendio.

**AVVISO** Un pericolo che potrebbe causare danni materiali al prodotto o all'ambiente circostante

 	Le informazioni sul modello memorizzate nella banca dati del prodotto possono essere ottenute entrando nel seguente sito web e cercando il proprio identificatore di modello (*) che si trova sull'etichetta energetica. <a href="https://eprel.ec.europa.eu/">https://eprel.ec.europa.eu/</a>
<b>SUPPLIER'S NAME</b> → <b>MODEL IDENTIFIER</b> → (*)  	



	<b>8</b>	<b>Manutenzione e pulizia .....</b>	<b>112</b>
	<b>9</b>	<b>Guida alla risoluzione dei proble- mi .....</b>	<b>113</b>
<b>1</b>		<b>Istruzioni di sicurezza.....</b>	<b>90</b>
1.1		Uso previsto .....	90
1.2		Sicurezza dei bambini, dei disabili e degli animali domestici .....	90
1.3		Sicurezza elettrica .....	91
1.4		Manipolazione in sicurezza .....	92
1.5		Installazione in sicurezza.....	92
1.6		Funzionamento in sicurezza.....	94
1.7		Sicurezza nella conservazione degli alimenti .....	97
1.8		Manutenzione e pulizia in sicu- rezza.....	97
1.9		Smaltimento del vecchio prodot- to.....	98
<b>2</b>		<b>Istruzioni relative all'ambiente.....</b>	<b>99</b>
2.1		Conformità con la direttiva WEEE e con la normativa sullo smalti- mento dei prodotti di scarico. ....	99
<b>3</b>		<b>Il vostro frigorifero .....</b>	<b>100</b>
<b>4</b>		<b>Installazione .....</b>	<b>100</b>
4.1		Luogo idoneo per l'installazione... ..	100
4.2		Collegamenti elettrici .....	101
4.3		Fissaggio dei cunei in plastica .....	101
4.4		Regolazione delle gambe.....	102
4.5		Avvertenza: superficie calda.....	102
<b>5</b>		<b>Preparazione .....</b>	<b>102</b>
5.1		Cosa fare per risparmiare energia .....	102
5.2		Primo utilizzo .....	103
5.3		Classe climatica e definizioni .....	103
<b>6</b>		<b>Funzionamento del prodotto .....</b>	<b>103</b>
<b>7</b>		<b>Uso dell'apparecchio.....</b>	<b>104</b>
7.1		Pannello di controllo del prodotto .....	104
7.2		Conservare il cibo nello scompar- to frigorifero.....	105
7.3		Area di conservazione a freddo dei prodotti lattiero-caseari .....	110
7.4		L'area di conservazione del ghiac- cio.....	110
7.5		Inversione del lato di apertura della porta .....	111
7.6		Avviso di sportello aperto .....	111
7.7		Sostituzione della lampada .....	111
7.8		AeroFlow .....	111

## 1 Istruzioni di sicurezza

Questa sezione include le istruzioni sulla sicurezza necessarie per evitare il rischio di lesioni personali e danni materiali.

La nostra azienda non è da ritenersi responsabile per i danni causati dall'inosservanza delle presenti istruzioni.

Le operazioni di installazione e riparazione dovranno sempre essere eseguite da un servizio di assistenza autorizzato.

Servirsi unicamente di pezzi di ricambio e accessori originali.

I pezzi di ricambio originali saranno forniti per 10 anni dalla data di acquisto del prodotto.

Non riparare o sostituire alcun componente del prodotto a meno che ciò non venga chiaramente specificato nel manuale utente.

Non eseguire modifiche sul prodotto.

### 1.1 Uso previsto

Questo prodotto non è adatto all'uso commerciale e non dovrebbe essere usato per usi diversi da quelli previsti. Questo prodotto è progettato per essere usato in ambienti chiusi, in casa e in luoghi simili.

Ad esempio:

- Nelle cucine del personale di negozi, uffici e altri ambienti di lavoro,
- Nelle cascine,
- Nelle unità di alberghi, motel o altre strutture di riposo utilizzate dai clienti,
- In ostelli o ambienti simili,
- Nei servizi di catering e similari, purché in scenari non retail.

Questo prodotto non deve essere utilizzato in ambienti esterni aperti o chiusi, come navi, balconi o terrazze. L'esposizione del prodotto a pioggia, neve, luce solare e vento potrebbe causare rischi di incendio.

### 1.2 Sicurezza dei bambini, dei disabili e degli animali domestici

- Questo prodotto può essere utilizzato da bambini dagli 8 anni in su e da persone con capacità fisiche, sensoriali o mentali insufficienti o prive di esperienza e conoscenza purché supervisionati o abbiano ricevuto istruzioni sull'uso dell'apparecchio in modo sicuro e sui relativi pericoli connessi.

- I bambini tra i 3 e gli 8 anni sono autorizzati a mettere ed estrarre cibo da/nel prodotto raffreddato.
- I dispositivi elettrici sono pericolosi per i bambini e gli animali domestici. I bambini e gli animali domestici non devono giocare, salire o entrare nel prodotto.
- Gli interventi di pulizia e manutenzione non devono essere eseguiti dai bambini a meno che sotto la supervisione di una persona adulta.
- Tenere i materiali di imballaggio lontano dalla portata dei bambini. Pericolo di lesioni e soffocamento.

Prima di smaltire i vecchi prodotti che non devono più essere utilizzati:

1. Scollegare il cavo di alimentazione dalla presa di corrente.
2. Tagliare il cavo di alimentazione e rimuoverlo dall'apparecchio insieme alla spina.
3. Per evitare che i bambini entrino nell'apparecchio non rimuovere i ripiani e i cassetti dal prodotto.
4. Rimuovere le porte.
5. Conservare il prodotto in modo da non ribaltarlo.

6. Non permettere ai bambini di giocare con il prodotto anche se vecchio e non più utilizzato.

- Non smaltire il prodotto gettandolo nel fuoco. Pericolo di esplosione.
- Se la porta del prodotto dispone di serratura, tenere la chiave fuori dalla portata dei bambini.



### 1.3 Sicurezza elettrica

- Durante le operazioni di installazione, manutenzione, pulizia, riparazione e trasporto, il prodotto non deve essere collegato alla presa di corrente.
- Se il cavo di alimentazione è danneggiato, deve essere sostituito da un servizio di assistenza autorizzato, per evitare qualsiasi rischio.
- Non infilare il cavo di alimentazione sotto il prodotto o sul retro del prodotto. Non appoggiare oggetti pesanti sul cavo di alimentazione. Il cavo di alimentazione non deve essere piegato, schiacciato e non deve venire a contatto con alcuna fonte di calore.
- Non utilizzare prolunghe, multiple o adattatori per azionare il prodotto.
- Le multi prese portatili o gli alimentatori portatili possono surriscaldarsi e causare incen-

di. Pertanto, non disporre una presa multipla dietro o nelle vicinanze del prodotto.

- La spina deve essere facilmente accessibile. Se ciò non è possibile, sull'impianto elettrico deve essere disponibile un meccanismo che soddisfi la regolamentazione in materia di elettricità e che scolleghi tutti i terminali dalla rete elettrica (fusibile, interruttore, interruttore principale, ecc.).
- Non toccare la spina con le mani bagnate.
- Quando si scollega l'apparecchio, non tenere il cavo di alimentazione, ma la spina.

#### **1.4 Manipolazione in sicurezza**

- Prima di trasportare il prodotto, assicurarsi di scollegare l'apparecchio.
- Il prodotto è pesante, non maneggiarlo da soli. La caduta del prodotto potrebbe provocare lesioni. Non urtare o far cadere il prodotto durante il trasporto.
- Chiudere sempre le porte e non tenere il prodotto dalle porte durante il trasporto.
- Fare attenzione a non danneggiare il sistema di raffreddamento e le tubazioni durante la manipolazione del prodotto. Non azionare il prodotto se i

tubi sono danneggiati e contattare il servizio di assistenza autorizzato.

#### **1.5 Installazione in sicurezza**

- Rivolgersi al Servizio Autorizzato per l'installazione del prodotto. Per preparare il prodotto all'uso, consultare le informazioni contenute nel manuale utente e accertarsi che le utenze elettriche e idriche siano conformi a quanto necessario. In caso contrario, chiamare un elettricista qualificato e un idraulico per sistemare le utenze come necessario. Il non rispetto di tali istruzioni potrebbe aumentare il rischio di scosse elettriche, incendi, danni al prodotto o lesioni.
- Questo prodotto è progettato per l'uso in aree ad un massimo di 2000 metri sul livello del mare.
- Controllare che non vi siano danni al prodotto prima di installarlo. Non far installare il prodotto se è danneggiato.
- Utilizzare sempre i dispositivi di protezione individuale (guanti, ecc.) durante l'installazione, la manutenzione e la riparazione del prodotto. Rischio di lesioni!

- Posizionare il prodotto su una superficie pulita, piana e dura e bilanciarlo con le gambe regolabili (ruotando i piedini anteriori a destra o a sinistra). In caso contrario, il frigorifero potrebbe ribaltarsi e causare lesioni.
- Il prodotto deve essere installato in un ambiente asciutto e ventilato. Non tenere tappeti, moquette, o coperture simili sotto il prodotto. In caso contrario, la ventilazione inadeguata potrebbe determinare un rischio di incendio!
- Non bloccare o coprire i fori di ventilazione. In caso contrario, il consumo di energia aumenta e il prodotto potrebbe danneggiarsi.
- Quando si posiziona il prodotto, assicurarsi che il cavo di alimentazione non sia danneggiato o schiacciato.
- Il prodotto non deve essere collegato a sistemi di alimentazione come l'alimentazione solare. Altrimenti, il prodotto potrebbe danneggiarsi a causa di improvvisi cambiamenti di tensione!
- Più refrigerante contiene un frigorifero, più grande deve essere lo spazio necessario per la sua installazione. In locali molto piccoli, in caso di perdita di gas nel sistema di raffreddamento potrebbe verificarsi una miscela gas-aria infiammabile. Per ogni 8 grammi di refrigerante è necessario almeno 1 m<sup>3</sup> di volume. La quantità di refrigerante disponibile nel prodotto è specificata nella targhetta di identificazione.
- Il luogo di installazione del prodotto non dovrà essere esposto alla luce diretta del sole e non dovrà essere nelle vicinanze di una fonte di calore come stufe, radiatori, ecc. Se non è possibile evitare l'installazione del prodotto in prossimità di una fonte di calore, utilizzare una piastra isolante adeguata e assicurarsi che la distanza minima dalla fonte di calore sia quella specificato di seguito:
  - Almeno 30 cm di distanza da fonti di calore come stufe, forni, radiatori, riscaldatori, ecc,
  - Almeno 5 cm di distanza dai forni elettrici.
- Il prodotto ha la classe di protezione I.
- Inserire il prodotto in una presa con messa a terra conforme ai valori di tensione, corrente e frequenza specificati nella targhetta d'identificazione. La presa deve avere un fusibile da

10A - 16A. La nostra azienda non si assumerà alcuna responsabilità per gli eventuali danni dovuti ad un uso senza previa messa a terra e con collegamento elettrico non conforme alle normative locali e nazionali.

- Durante l'installazione, il cavo di alimentazione del prodotto deve essere scollegato. In caso contrario sussiste il pericolo di scosse elettriche e lesioni!
- Non collegare il cavo di alimentazione del prodotto a prese di corrente allentate, dislocate, rotte, sporche, oleose e a rischio di contatto con l'acqua. Questi tipi di collegamenti potrebbero causare surriscaldamento e incendi.
- Collocare il cavo di alimentazione e i tubi flessibili (se disponibili) del prodotto in modo che non comportino il rischio di inciampare.
- La penetrazione dell'umidità e liquidi nelle parti sotto tensione o nel cavo di alimentazione potrebbe causare un cortocircuito. Pertanto, non utilizzare il prodotto in ambienti umidi o in zone in cui l'acqua possa schizzare (ad esempio garage, lavanderia, ecc.) Se il frigorifero viene bagnato dall'acqua,

staccare la spina e contattare il servizio di assistenza autorizzato.

- Non collegare mai il frigorifero a dispositivi di risparmio energetico. Questi sistemi sono dannosi per il prodotto.
- La rimozione del coperchio della scheda elettronica e del coperchio posteriore del compressore (se presente) comporta il rischio di contatto con parti elettriche. Non rimuovere il coperchio della scheda elettronica e il coperchio posteriore del compressore (se presente). Sussiste il rischio di elettrocuzione!



## 1.6 Funzionamento in sicurezza

- Non utilizzare mai solventi chimici sul prodotto. Questi materiali comportano un rischio di esplosione.
- In caso di guasto del prodotto, scollegare la spina e non far funzionare fino a quando non viene riparato dal servizio di assistenza autorizzato. In caso contrario, vi è il rischio di scossa elettrica!
- Non collocare una fonte di fiamma (ad es. candele, sigarette, ecc.) sul prodotto o nelle sue vicinanze.

- Non salire sul prodotto. Pericolo di caduta e lesioni!
- Non danneggiare i tubi dell'impianto di raffreddamento con attrezzi affilati e perforanti. Il refrigerante spruzzato fuori in caso di foratura dei tubi del gas, prolunghe o rivestimenti superficiali potrebbe causare irritazione della pelle e lesioni agli occhi.
- Non collocare e mettere in funzione apparecchi elettrici all'interno dei frigoriferi/congelatore, a meno che non sia stato consigliato dal produttore.
- Non incastrare mani o parti del corpo nelle parti in movimento e all'interno del prodotto. Fare attenzione a non incastrare le dita tra il frigorifero e la sua porta. Prestare attenzione durante l'apertura o la chiusura della porta in presenza di bambini.
- Non mettere in bocca gelati, cubetti di ghiaccio o cibi surgelati non appena tolti dal congelatore. Pericolo di congelamento!
- Non toccare con le mani bagnate le pareti interne, le parti metalliche del congelatore o gli alimenti conservati al suo interno. Pericolo di congelamento!
- Non collocare nello scomparto congelatore lattine o bottiglie contenenti liquidi che possono congelarsi. Lattine o bottiglie possono esplodere. Pericolo di lesioni e danni materiali!
- Non utilizzare o collocare materiali sensibili alla temperatura come spray infiammabili, oggetti infiammabili, ghiaccio secco o altri agenti chimici nelle vicinanze del frigorifero. Pericolo di incendio ed esplosione!
- Non conservare materiali esplosivi come bombolette spray assieme a materiali infiammabili all'interno del prodotto.
- Non collocare lattine aperte contenenti liquidi sopra il prodotto. Gli spruzzi d'acqua su una parte elettrica potrebbero causare scosse elettriche o incendi.
- Questo prodotto non è destinato allo stoccaggio e al raffreddamento di medicinali, plasma sanguigno, preparati o materiali di laboratorio e prodotti simili, soggetti a direttive sui prodotti medici.
- Se il prodotto viene utilizzato in modo non conforme alla sua destinazione, può causare danni o deterioramento dei prodotti conservati al suo interno.

- Se il frigorifero è dotato di luce blu, non guardare questa luce con dispositivi ottici. Non guardare direttamente la luce UV LED per lungo tempo. I raggi ultravioletti possono causare affaticamento visivo.
- Non riempire il prodotto più di quanto consentito dalla sua capacità. Potrebbero verificarsi lesioni o danni se il contenuto del frigorifero cade quando lo sportello è aperto. Problemi simili potrebbero verificarsi anche quando un oggetto viene posto sopra il prodotto.
- Assicurarsi di aver rimosso il ghiaccio o l'acqua che potrebbe essere caduta a terra per evitare lesioni.
- Cambiare la posizione dei ripiani/porta bottiglie sulla porta del frigorifero solo quando i ripiani sono vuoti. Pericolo di lesioni fisiche!
- Non appoggiare oggetti che potrebbero cadere/ribaltarsi sul prodotto. Questi oggetti potrebbero cadere durante l'apertura o la chiusura della porta e causare lesioni e/o danni materiali.
- Non urtare e non esercitare una pressione eccessiva sulle superfici di vetro. La rottura del vetro potrebbe causare lesioni e/o danni materiali.
- Il sistema di raffreddamento del prodotto contiene refrigerante R600a. Il tipo di refrigerante utilizzato nel prodotto è specificato nella targhetta d'identificazione. Questo gas è infiammabile. Pertanto, fare attenzione a non danneggiare il sistema di raffreddamento e le tubazioni durante il funzionamento del prodotto. In caso di danni alle tubazioni:
  1. Non toccare il prodotto o il cavo di alimentazione.
  2. Tenere il prodotto lontano da potenziali fonti di calore che potrebbero causare il surriscaldamento e l'incendio del prodotto.
  3. Assicurare la ventilazione dell'area in cui è collocato il prodotto. Non utilizzare un ventilatore.
  4. Contattare il servizio di assistenza autorizzato.Se il prodotto è danneggiato e si osservano perdite di gas, stare lontani dal gas. Il gas potrebbe causare congelamento se entra in contatto con la pelle. Prima di smaltire i vecchi prodotti che non devono più essere utilizzati:
  1. Scollegare il cavo di alimentazione dalla presa di corrente.



2. Tagliare il cavo di alimentazione e rimuoverlo dall'apparecchio insieme alla spina.
  3. Per evitare che i bambini entrino nell'apparecchio non rimuovere i ripiani e i cassetti dal prodotto.
  4. Rimuovere le porte.
  5. Conservare il prodotto in modo da non ribaltarlo.
  6. Non permettere ai bambini di giocare con il prodotto anche se vecchio e non più utilizzato.
- Non smaltire il prodotto gettandolo nel fuoco. Pericolo di esplosione.
  - Se la porta del prodotto dispone di serratura, tenere la chiave fuori dalla portata dei bambini.

### **1.7 Sicurezza nella conservazione degli alimenti**

Per evitare il deterioramento degli alimenti, si prega di prestare attenzione alle seguenti avvertenze:

- Lasciare gli sportelli aperti per molto tempo potrebbe fare aumentare la temperatura all'interno del prodotto.
- Pulire regolarmente i sistemi di drenaggio accessibili a contatto con gli alimenti.

- Pulire i serbatoi d'acqua che non sono stati usati per 48 ore e i sistemi d'acqua alimentati dalla rete che non sono stati usati per più di 5 giorni.
- Conservare i prodotti crudi di carne e pesce in scomparti appropriati all'interno del prodotto. In tal modo, non sgoccioleranno e non entreranno in contatto con altri alimenti.
- Gli scomparti del congelatore a due stelle sono utilizzati per conservare gli alimenti precotti, fare e conservare il ghiaccio e i gelati.
- Gli scomparti a una, due e tre stelle non sono appropriati per congelare alimenti freschi.
- Se il congelatore è stato lasciato vuoto per molto tempo, spegnerlo, sbrinare, pulire e asciugare il prodotto per proteggere il suo alloggiamento.

### **1.8 Manutenzione e pulizia in sicurezza**

- Non tirare la maniglia della porta se si deve spostare il prodotto per la pulizia. La maniglia potrebbe causare lesioni, se tirata troppo forte.

- Non pulire il prodotto spruzzando o versando acqua sul prodotto e al suo interno. Pericolo di scosse elettriche e incendi.
- Quando si pulisce il prodotto, non usare strumenti taglienti e abrasivi o detersivi domestici, detersivi, gas, benzina, diluente, alcol, vernice e sostanze simili. Utilizzare solo detersivi e agenti per la pulizia che non siano dannosi per gli alimenti contenuti nel prodotto.
- Non utilizzare mai detersivi a vapore o materiali per la pulizia a vapore per pulire il prodotto e scongelare il ghiaccio al suo interno. Il vapore che entra in contatto con le parti sotto tensione del frigorifero provoca cortocircuiti o scosse elettriche.
- Tenere l'acqua lontana dai circuiti elettronici o dal sistema di illuminazione del prodotto.
- Utilizzare un panno pulito e asciutto per rimuovere la polvere o un qualsiasi materiale estraneo sulle spine. Non utilizzare un panno umido o ba-

gnato per pulire la spina. In caso contrario, vi è il rischio di incendio o scossa elettrica.



### **1.9 Smaltimento del vecchio prodotto**

Quando smaltisci il tuo vecchio prodotto segui le istruzioni riportate di seguito:

- Per evitare che i bambini si blocchino accidentalmente nel prodotto, nel caso in cui sia presente la serratura della porta, disattivarla.
- Gli schizzi di fluido refrigerante sono pericolosi per gli occhi. Non danneggiare alcuna parte dell'impianto di raffreddamento durante lo smaltimento del prodotto.
- Potrebbe essere fatale se l'olio del compressore venisse ingerito o se penetrasse nel tratto respiratorio.
- L'impianto di raffreddamento del prodotto include il gas R600 come specificato nell'etichetta informativa. Questo gas è infiammabile. Non smaltire il prodotto gettandolo nel fuoco. Rischio di esplosione!

## 2 Istruzioni relative all'ambiente

### 2.1 Conformità con la direttiva WEEE e con la normativa sullo smaltimento dei prodotti di scarico.



Questo prodotto è conforme alla direttiva WEEE dell'UE (2012/19/EU). Questo prodotto porta un simbolo di classificazione per la strumentazione elettrica ed elettronica di scar-

to (WEEE).

Questo simbolo indica che questo prodotto alla fine della sua vita utile non deve essere smaltito con altri rifiuti domestici. Il dispositivo usato deve essere restituito al punto di raccolta ufficiale per il riciclaggio dei dispositivi elettrici ed elettronici. Per trovare questi sistemi di raccolta si prega di contattare le autorità locali o il rivenditore presso il quale è stato acquistato il prodotto. Ogni famiglia svolge un ruolo importante nel re-

cupero e nel riciclaggio di vecchie apparecchiature. Un adeguato smaltimento dell'apparecchiatura usata aiuta a prevenire potenziali conseguenze negative per l'ambiente e la salute umana.

IT

### Conformità con la direttiva RoHS

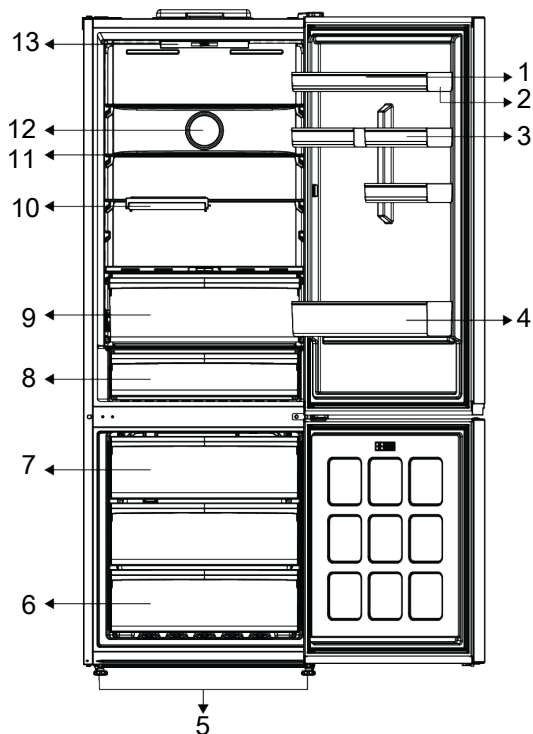
Il prodotto acquistato è conforme con la Direttiva UE RoHS (2011/65/EU). Non contiene materiali dannosi e proibiti e indicati nella Direttiva.



### Informazioni sull'imballaggio

I materiali che compongono l'imballaggio del prodotto sono realizzati a partire da materiali riciclabili in conformità con le nostre Normative Ambientali Nazionali. Non smaltire i materiali dell'imballaggio congiuntamente ai rifiuti domestici o ad altri rifiuti. Portarli presso i punti di raccolta imballaggi indicati dalle autorità locali.

### 3 Il vostro frigorifero



- |    |                             |    |  |
|----|-----------------------------|----|--|
| 1  | Porta uova                  | 2  | Ripiano porta regolabile               |
| 3  | * Ripiano sportello piccolo | 4  | Ripiano per bottiglie                  |
| 5  | Supporti regolabili         | 6  | Scomparto congelatore                  |
| 7  | Contenitore per il ghiaccio | 8  | Cassetto per la conservazione a freddo |
| 9  | Cassetto frutta e verdura   | 10 | * Ripiano ripiegabile                  |
| 11 | Ripiano regolabile          | 12 | Ventola                                |
| 13 | Illuminazione               |    |  |

**\*Opzionale:** Le figure contenute in questo manuale d'uso sono schematiche, e potrebbero non corrispondere esattamente al pro-

dotto. Qualora il prodotto non contenga le parti descritte, l'informazione riguarda altri modelli.

### 4 Installazione



Leggere prima la sezione "Istruzioni di sicurezza"!

#### 4.1 Luogo idoneo per l'installazione

Rivolgersi al Servizio Autorizzato per l'installazione del prodotto. Per preparare il prodotto all'installazione, consultare le in-

formazioni contenute nel manuale utente e accertarsi che le utenze elettriche e idriche siano conformi a quanto necessario. In caso contrario, chiamare un elettricista e un idraulico per sistemare le utenze come necessario.



**AVVERTENZA:**

Il produttore non si assume alcuna responsabilità per gli eventuali danni causati dagli interventi eseguiti da personale non autorizzato.



**AVVERTENZA:**

Durante l'installazione, il cavo di alimentazione del prodotto deve essere scollegato. Il mancato rispetto di queste istruzioni potrebbe provocare morte o altre gravi lesioni!



**AVVERTENZA:**

Qualora la porta fosse troppo stretta per consentire il passaggio del prodotto, togliere la porta e ruotarla; qualora ciò non funzioni, contattare il servizio autorizzato.

- Per evitare vibrazioni, posizionare il prodotto su una superficie piana.
- Collocare il prodotto ad almeno a 30 cm dal termosifone, dalla stufa e da altre fonti di calore e ad almeno 5 cm da eventuali forni elettrici.
- Non esporre il prodotto alla luce solare diretta e non tenerlo in ambienti umidi.
- Il prodotto necessita di adeguata ventilazione per un funzionamento efficiente. Se in prodotto viene collocato in una alcova, lasciare almeno 5 cm di spazio tra il prodotto, il soffitto, i muri laterali e il muro retrostante.
- Controllare se il componente di protezione della parete posteriore è presente e nel suo alloggiamento (se fornito con il prodotto).
- Se il componente non è disponibile, o se è stato smarrito o è caduto, posizionare il prodotto in modo tale da lasciare almeno 5 cm di spazio libero tra il retro del pro-

dotto e le pareti del locale. Lo spazio libero nella parte posteriore è importante per il funzionamento efficiente del prodotto.

## 4.2 Collegamenti elettrici



Non usare prolunghie o multi prese per il collegamento elettrico.



I cavi di alimentazione danneggiati vanno sostituiti dal servizio autorizzato.



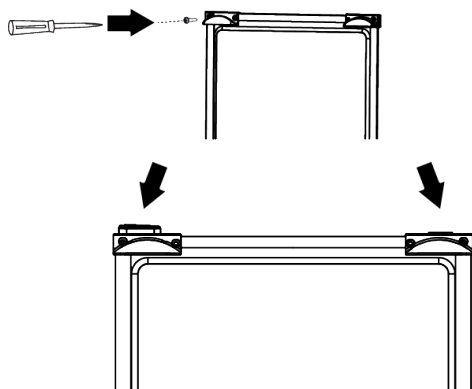
Quando vengono posizionati due frigoriferi l'uno a fianco dell'altro, lasciare una distanza di almeno 4 cm fra le due unità.

- La nostra azienda non si assume alcuna responsabilità per gli eventuali danni dovuti a un uso senza messa a terra e collegamento elettrico non conforme alle normative nazionali.
- Il cavo di corrente deve essere facilmente accessibile dopo l'installazione.
- Non utilizzare la spina multigruppo con o senza prolunga tra la presa a muro e il frigorifero.

## 4.3 Fissaggio dei cunei in plastica

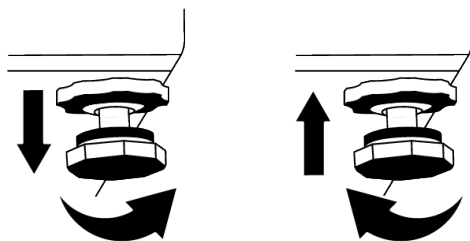
Per garantire una circolazione d'aria sufficiente fra il prodotto e la parete, servirsi dei cunei in plastica forniti in dotazione con il prodotto.

1. Per fissare i cunei, rimuovere le viti sul prodotto e usare le viti fornite in dotazione con i cunei.
2. Fissare 2 cunei in plastica sul coperchio della ventilazione, come indicato nella figura.



#### 4.4 Regolazione delle gambe

Qualora il prodotto non fosse in equilibrio, regolare le gambe anteriori regolabili, ruotandole verso destra o verso sinistra.



IT

#### 4.5 Avvertenza: superficie calda

Le pareti laterali del prodotto sono dotate di tubi di raffreddamento per migliorare il sistema generale di raffreddamento. L'elevata pressione del fluido potrebbe fluire attraverso queste superfici, causando il riscaldamento eccessivo delle superfici sulle pareti laterali. Ciò è normale e non richiede interventi di manutenzione. Fare attenzione quando si toccano queste aree.

## 5 Preparazione



Leggere prima la sezione "Istruzioni di sicurezza"!

### 5.1 Cosa fare per risparmiare energia



Collegare il prodotto a sistemi di risparmio energetico elettronici potrebbe danneggiare il prodotto.

- Questo apparecchio refrigerante non è destinato ad essere utilizzato come apparecchio da incasso.
- Non tenere aperte a lungo le porte del frigorifero.
- Non mettere alimenti caldi o bevande direttamente dentro al frigorifero.
- Non riempire eccessivamente il frigorifero; il blocco del flusso d'aria interno ne ridurrà la capacità di raffreddamento.
- L'aria calda e umida, non penetrando direttamente nel prodotto quando le porte non sono aperte, permetterà al prodotto di ottimizzare la funzione di protezione degli alimenti. In queste circostanze, funzioni e componenti come il compressore, la ventola, il riscaldatore, lo sbrinatorio, l'illuminazione, il display e così via funzioneranno in base alle esigenze di consumo minimo di energia.
- Nel caso in cui siano presenti più opzioni, i ripiani in vetro devono essere posizionati in modo da non bloccare le uscite d'aria sulla parete posteriore e, preferibilmente, in modo che le uscite d'aria rimangano al di sotto del ripiano in vetro. Questa combinazione potrebbe aiutare a migliorare la distribuzione dell'aria e l'efficienza energetica.
- Per la conservazione, si raccomanda vivamente di utilizzare il cassetto sottostante.
- A seconda delle caratteristiche del prodotto, lo scongelamento degli alimenti surgelati nello scomparto raffreddatore garantirà un risparmio energetico preservando al tempo stesso la qualità degli alimenti.

- Per poter caricare la massima quantità di alimenti nello scomparto freezer del frigorifero, i cassetti superiori devono essere estratti e gli alimenti disposti sui ripiani metallici/in vetro.
- Per garantire il risparmio energetico e tenere sempre gli alimenti nelle condizioni migliori, gli alimenti devono essere conservati utilizzando i cassetti dello scomparto raffreddatore.
- Le confezioni di alimenti non dovranno essere a diretto contatto con il sensore di calore situato nello scomparto freezer.

## 5.2 Primo utilizzo

Prima di iniziare a usare il frigorifero, accertarsi che tutti i preparativi necessari vengano eseguiti in conformità con le istruzioni contenute nelle sezioni "Istruzioni di sicurezza e relative all'ambiente" e "Installazione".

- Tenere il prodotto in funzione senza alimenti al suo interno per 6 ore e non aprire la porta a meno che ciò non sia assolutamente necessario.
- La variazione di temperatura causata dall'apertura e dalla chiusura della porta durante l'uso del prodotto potrebbe portare a normale formazione di condensa sul cibo posto sui ripiani della porta/del vano frigo e sui contenitori di vetro posti nel prodotto.



Si sentirà un suono quando viene attivato il compressore. È normale che il prodotto faccia rumore anche se il compressore non è in funzione, poiché il fluido e il gas potrebbero essere compressi nel sistema di raffreddamento.



È normale che le estremità anteriori del frigorifero siano calde. Queste aree sono state progettate per riscaldarsi per evitare la condensa.



Per alcuni modelli, il pannello indicatore si spegne automaticamente 1 minuto dopo la chiusura della porta. Si riattiva quando la porta è aperta o si preme un qualsiasi pulsante.

## 5.3 Classe climatica e definizioni

Si prega di fare riferimento alla classe climatica indicata sulla targhetta del dispositivo. Una delle seguenti informazioni è applicabile al proprio dispositivo secondo la classe climatica.

- **SN:** Clima temperato a lungo termine: Questo dispositivo di raffreddamento è progettato per l'uso a temperature ambiente tra 10 °C e 32 °C.
- **N:** Clima temperato: Questo dispositivo di raffreddamento è progettato per l'uso a temperature ambiente tra 16°C e 32 °C.
- **ST:** Clima subtropicale: Questo dispositivo di raffreddamento è progettato per l'uso a temperature ambiente tra 16°C e 38°C.
- **T:** Clima tropicale: Questo dispositivo di raffreddamento è progettato per l'uso a temperature ambiente tra 16°C e 43°C.

## 6 Funzionamento del prodotto



Leggere prima la sezione "Istruzioni di sicurezza"!

- Per accelerare le operazioni di scongelamento, non utilizzare attrezzi meccanici o altri utensili diversi da quelli raccomandati dal produttore.
- Non utilizzare mai parti del frigorifero, come la porta o i cassetti, come supporto o come gradini. Ciò potrebbe causare il ribaltamento del prodotto o il danneggiamento dei suoi componenti.
- Il prodotto dovrebbe essere usato unicamente per la conservazione di alimenti.

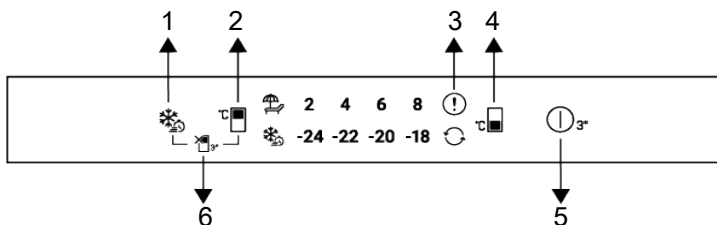
- Spegner la valvola dell'acqua se si è lontani da casa (ad esempio in vacanza) e si prevede di non utilizzare la macchinetta per il ghiaccio o l'erogatore d'acqua per un lungo periodo di tempo. In caso contrario, potrebbero verificarsi perdite d'acqua.

### Messa in pausa del programma


- Se non si intende usare il prodotto per un lungo periodo, scollegarlo dalla presa.
- Rimuovere gli alimenti per evitare cattivi odori.
- Aspettare che il ghiaccio si sciogla, pulire l'interno e lasciarlo asciugare, lasciare le porte aperte per evitare di danneggiare le plastiche interne del corpo dell'apparecchio.

## 7 Uso dell'apparecchio

### 7.1 Pannello di controllo del prodotto



- |  |   |
|--|---|
| 1 Tasto di congelamento rapido             | 2 Tasto di impostazione della temperatura dello scomparto raffreddatore |
| 3 Indicatore di stato d'errore             | 4 * Tasto di impostazione della temperatura dello scomparto congelatore |
| 5 Pulsante per lo spegnimento del prodotto | 6 Tasto funzione dello scomparto raffreddatore Off (funzione vacanza)   |

 Leggere prima la sezione "Istruzioni di sicurezza".

Le funzioni audio e video sul pannello indicatore assisteranno l'utente nell'utilizzo del frigorifero.

**\*Opzionale:** Le funzioni mostrate sono opzionali, ci potrebbero essere differenze di forma e posizione nelle funzioni che si trovano sul pannello indicatore dell'elettrodomestico.

#### 1. Tasto di congelamento rapido

Quando si preme il tasto di congelamento rapido, il simbolo del congelamento rapido ( ) si illumina e si attiva la funzione di congelamento rapido. La temperatura dello scomparto Congelatore è impostata a -27 °C. Premere nuovamente il tasto per annullare la funzione.

La funzione di congelamento rapido sarà automaticamente annullata dopo poco. Per congelare grandi quantitativi di alimenti freschi, premere il tasto di congelamento rapido prima di collocare gli alimenti all'interno dello scomparto congelatore.

#### 2. Tasto di impostazione della temperatura dello scomparto raffreddatore

Per lo scomparto raffreddatore è disponibile l'impostazione della temperatura. La pressione di questo tasto abiliterà l'impostazione della temperatura dello scomparto raffreddatore a 8, 6,4,2 °C.



### 3. Indicatore di condizione di errore

Questo indicatore si attiva quando il frigorifero non si raffredda a sufficienza o quando si verifica un errore del sensore. Gli indicatori di temperatura del congelatore e del frigorifero lampeggiano in determinate combinazioni. Questo informa il personale addetto alla manutenzione circa l'errore che si è verificato. Quando si mette del cibo caldo nello scomparto congelatore o se si lascia lo sportello aperto per un lungo periodo di tempo, il punto esclamativo si potrà illuminare per un po'. Non si tratta di un guasto, questa avvertenza sarà rimossa quando il cibo viene raffreddato o quando viene premuto un tasto qualsiasi.

### 4. Tasto di impostazione della temperatura dello scomparto Congelatore

L'impostazione della temperatura è disponibile per lo scomparto del congelatore. La temperatura dello scomparto congelatore può essere impostata a -18,-20,-22,-24 °C premendo il pulsante.

## 7.2 Conservare il cibo nello scomparto frigorifero

### Conservare il cibo nello scomparto frigorifero

- Le temperature dello scomparto aumentano notevolmente se la porta dello scomparto viene aperta e chiusa frequentemente e tenuta aperta per molto tempo; questo può ridurre la durata degli alimenti e causare il loro precoce deterioramento.
- Per non causare cambiamenti di odore e sapore, gli alimenti dovrebbero essere conservati in contenitori chiusi.
- Non conservare troppi alimenti nel frigorifero. Per ottenere un raffreddamento migliore e omogeneo, disporre gli alimenti separatamente in modo che l'aria fredda possa attraversarli.
- Garantire il flusso d'aria lasciando uno spazio tra gli alimenti e la parete interna. Se gli alimenti vengono appoggiati sulla parete posteriore potrebbero congelarsi.


### 5. Pulsante di spegnimento del prodotto



Quando questo pulsante viene premuto per 3 secondi, il dispositivo passa allo stato spento. In questo stato il frigorifero non esegue il raffreddamento; premendo nuovamente il tasto per 3 secondi il frigorifero riprende il suo normale funzionamento.

### 6. Tasto funzione dello scomparto raffreddatore Off (Vacanza)

Per attivare la funzione vacanza premere il pulsante per 3 sec. La modalità vacanza è

attivata e l'icona vacanza  si accende. Tutte le icone sull'indicatore della temperatura dello scomparto raffreddatore/frigorifero si spengono e lo scomparto non esegue il raffreddamento attivo. Quando questa funzione è attiva, si sconsiglia di conservare alimenti nel vano frigorifero. Gli altri scomparti continuano a raffreddarsi in base alla temperatura impostata. Per annullare questa funzione, premere di nuovo il tasto per 3 secondi.

- Portare i pasti caldi cotti a temperatura ambiente prima di metterli in frigorifero. Quindi, mettere il pasto tiepido nei ripiani inferiori del frigorifero. Non mettere i pasti tiepidi vicino agli alimenti che potrebbero facilmente deperirsi.
- In particolare, prestare attenzione a non mescolare gli alimenti venduti come surgelati con quelli freschi.
- Scongelare gli alimenti congelati nello scomparto degli alimenti freschi. In questo modo, è possibile raffreddare lo scomparto degli alimenti freschi utilizzando gli alimenti congelati così da risparmiare energia.
- Conservare la frutta tropicale acerba (mango, varietà di melone, papaya, banana, ananas) nel frigorifero potrebbe accelerare il processo di maturazione. Questo non è consigliabile, perché causa una riduzione dei tempi di conservazione.

- Cipolle, aglio, zenzero e altri ortaggi a radice dovrebbero essere conservati in condizioni di buio e freddo, non in frigorifero.
- Se si nota che un alimento si è deperito nel frigorifero, buttare via quell'alimento e pulire gli accessori che sono entrati in contatto con esso.
- Per raffreddare rapidamente zuppe e stufati, che sono cucinati in grandi pentole, è possibile metterli in frigorifero distribuendoli in contenitori poco profondi
- Non mettere gli alimenti non confezionati vicino alle uova.
- Conservare la frutta e la verdura separatamente e raggruppandola secondo la varietà (per esempio: mele con mele, carote con carote).
- Togliere le verdure verdi dal sacchetto di plastica e metterle in frigorifero dopo averle avvolte in un tovagliolo di carta o in un panno asciutto. Se prima di metterli in frigorifero questi alimenti sono stati lavati, ricordarsi di asciugarli.
- Per creare un ambiente umido e fornire un flusso d'aria a frutta e verdura, che sono inclini a seccarsi, conservarle nei sacchetti di plastica perforati o non sigillati.
- Tranne i casi in cui vi siano delle circostanze ambientali estreme, se il prodotto (sulla tabella dei valori nominali raccomandati) è impostato sui valori nominali specificati, gli alimenti manterranno la loro freschezza più a lungo sia nello scomparto prodotti freschi che nello scomparto congelatore.

Conservare gli alimenti in luoghi diversi a seconda delle loro proprietà:	
Alimenti	Ubicazione
Uova	Ripiano porta
Prodotti caseari (burro, formaggio)	Se disponibile, scomparto a zero gradi (per il cibo della colazione)
Frutta, vegetali e verdura a foglia verde	Scomparto per frutta e verdura, crisper o Scomparto EverFresh+ (se disponibile)
Carne fresca, pollame, pesce, salsicce, ecc. Cibi cotti	Se disponibile, scomparto a zero gradi (per il cibo della colazione)
Cibi pronti da servire, prodotti confezionati, cibi in scatola e sottaceti	Ripiani superiori o ripiano della porta
Bevande, bottiglie, spezie e snack	Ripiano porta

### Conservare il cibo nello scomparto congelatore (freezer)

- È possibile attivare la funzione di congelamento rapido 4-6 ore prima della funzione di congelamento ed eseguire così un raffreddamento più rapido.
- Prima di metterli nello scomparto congelatore, portare i pasti caldi a temperatura ambiente.
- Gli alimenti da congelare vanno suddivisi in porzioni a seconda della dimensione da consumare e vanno congelati in pacchetti separati.
- Consigliamo di confezionare gli alimenti prima di riporli all'interno del congelatore.
- Al fine di evitarne la scadenza, annotare la data, l'ora di congelamento e il nome dell'alimento sulla confezione, in base ai periodi di conservazione dei diversi prodotti alimentari.
- Consumare rapidamente gli alimenti che sono stati scongelati. Gli alimenti scongelati non possono essere ricongelati, a meno che siano cotti. Non è sicuro consumare i cibi freschi ricongelati senza cottura dopo che sono stati scongelati.
- Quando vengono congelati alimenti freschi, evitare che gli stessi entrino in contatto con alimenti già congelati. Altrimenti, i cibi congelati si scongeleranno.

### **Conservare gli alimenti che sono venduti congelati**

- Seguire sempre le istruzioni del produttore in relazione al tempo di conservazione degli alimenti. Non superare il tempo specificato in queste istruzioni!
- Per proteggere la qualità degli alimenti, mantenere l'intervallo di tempo tra l'acquisto e la conservazione il più breve possibile.
- Acquistare gli alimenti congelati che sono conservati a  $-18^{\circ}\text{C}$  o a temperature inferiori.
- Evitare di acquistare alimenti le cui confezioni sono coperte di ghiaccio ecc. Questo significa che il prodotto potrebbe essere stato parzialmente scongelato e ricongelato. La temperatura influisce sulla qualità degli alimenti.
- Non superare il tempo di conservazione raccomandato dal produttore dell'alimento. Togliere dal congelatore solo il cibo di cui si ha bisogno.
- Tranne i casi in cui vi siano delle circostanze ambientali estreme, se il prodotto (sulla tabella dei valori nominali raccomandati) è impostato sui valori nominali specificati, gli alimenti manterranno la loro freschezza più a lungo sia nello scomparto prodotti freschi che nello scomparto congelatore.
- Se lo scomparto degli alimenti freschi è impostato su una temperatura più bassa, la frutta e la verdura fresche potrebbero subire il parziale congelamento.
- Gli scomparti a due stelle sono adatti per gli alimenti pre-congelati. Al loro interno sarà possibile conservare gelato e cubetti di ghiaccio.
- Non congelare alimenti all'interno degli scomparti con una, due e tre stelle.

Carne e pesce		Preparazione	Tempo di conservazione più lungo (mese)	
Prodotti di carne	Vitello	Bistecca	Tagliandoli con uno spessore di 2 cm e ponendo tra di loro della pellicola o avvolgendoli strettamente con un elastico	6-8
		Arrosto	Confezionando i pezzi di carne in un sacchetto da frigorifero oppure avvolgendoli strettamente con un elastico	6-8
		Cubetti	A pezzettini	6-8
		Cotolette, bracioline	Mettendo della pellicola tra le fette tagliate o avvolgendo singolarmente con un elastico	6-8
	Carne di montone	Bracioline	Mettendo della pellicola tra i pezzi di carne o avvolgendo singolarmente con un elastico	4-8
		Arrosto	Confezionando i pezzi di carne in un sacchetto da frigorifero oppure avvolgendoli strettamente con un elastico	4-8
		Cubetti	Confezionando la carne sminuzzata in un sacchetto da frigorifero oppure avvolgendoli strettamente con un elastico	4-8
	Manzo	Arrosto	Confezionando i pezzi di carne in un sacchetto da frigorifero oppure avvolgendoli strettamente con un elastico	8-12
		Bistecca	Tagliandoli con uno spessore di 2 cm e ponendo tra di loro della pellicola o avvolgendoli strettamente con un elastico	8-12
		Cubetti	A pezzettini	8-12
		Carne bollita	Confezionando i pezzettini in un sacchettino da frigorifero	8-12
	Macinato	Senza condimento, in sacchetti piatti	1-3	
	Frattaglie (pezzi)	A pezzi	1-3	
	Salsiccia fermentata - Salame	Deve essere confezionato anche se ha il budello.	1-3	
	Prosciutto	Mettendo della pellicola tra le fettine tagliate	2-3	
	Pollame e animali da caccia	Pollo e tacchino	Avvolgendo con pellicola	4-6
Oca		Avvolgendo con pellicola (le porzioni non dovrebbero superare i 2,5 kg)	4-6	
Anatra		Avvolgendo con pellicola (le porzioni non dovrebbero superare i 2,5 kg)	4-6	
Cervo, coniglio, capriolo		Avvolgendo con pellicola (le porzioni non dovrebbero superare i 2,5 kg, e le ossa dovrebbero essere conservate separatamente)	6-8	
Pesce e frutti di mare	Pesce d'acqua dolce (Trota, Carpa, Gru, Pesce gatto)	Dopo aver pulito in modo accurato l'interno e le squame, deve essere lavato e asciugato, e le parti della coda e della testa vanno tagliate all'occorrenza.	2	
	Pesce magro (Branzino, Rombo, Sogliola)		4-6	
	Pesce grasso (Bonito, Sgombro, Pesce azzurro, Triglia, Acciuga)		2-4	
	Crostacei	Puliti e in sacchetti	4-6	
	Caviale	Nella sua confezione, in un contenitore di alluminio o di plastica	2-3	

"I tempi di conservazione indicati nella tabella si basano sulla temperatura di conservazione di -18°C. "

Frutta e verdura	Preparazione	Tempo di conservazione più lungo (mese)
Fagiolini e fagioli di Spagna	Sbollentare per 3 minuti dopo il lavaggio e il taglio in piccoli pezzi	10-13
Piselli verdi	Bollire per 2 minuti dopo averli sgranati e lavati	10-12
Cavoli	Bollire per 1-2 minuti dopo averli puliti	6-8
Carote	Sbollentare per 3-4 minuti dopo la pulizia e il taglio a fette	12
Peperoni	Bollire per 2-3 secondi dopo aver tagliato lo stelo, suddividere in due e togliere i semi	8-10
Spinaci	Sbollentare per 2 minuti dopo il lavaggio e la pulizia	6-9
Porri	Sbollentare per 5 minuti dopo il taglio a pezzi	6-8
Cavolfiore	Sbollentare in un po' di acqua e limone per 3-5 minuti dopo aver separato le foglie, tagliando il torsolo a pezzi	10-12
Melanzana	Sbollentare per 4 minuti dopo il lavaggio e il taglio a pezzettini da 2cm	10-12
Belleville di zucca	Dopo averli lavati e tagliati a pezzi di 2 cm, sbollentare per 2-3 minuti.	8-10
Funghi	Saltare delicatamente in olio e spruzzare del limone	2-3
Mais	Pulire o confezionare come pannocchia o in forma granulare	12
Mele e pere	Sbollentare per 2-3 minuti dopo averle sbucciate e tagliate a fette	8-10
Albicocca e pesca	Dividere a metà ed estrarre i semi	4-6
Fragola e lampone	Per lavare e sgusciare	8-12
Frutta al forno	Aggiungere il 10% di zucchero al contenitore	12
Prugne, ciliegie, amarene	Per lavare e sgusciare i gambi	8-12

"I tempi di conservazione indicati nella tabella si basano sulla temperatura di conservazione di -18°C. "

Prodotti lattiero-caseari	Preparazione	Tempo di conservazione più lungo (mese)	Condizioni di conservazione
Formaggio (eccetto la feta)	Mettendo della pellicola tra le fettine tagliate	6-8	Può essere lasciato nel suo imballaggio originale per la conservazione a breve termine. Per la conservazione a lungo termine dovrebbe anche essere avvolto in un foglio di alluminio o di plastica.
Burro, margarina	Nella propria confezione	6	Nella propria confezione o in contenitori di plastica

"I tempi di conservazione indicati nella tabella si basano sulla temperatura di conservazione di -18°C. "

"La quantità di alimenti freschi che è possibile congelare per un certo periodo di tempo è indicata sull'etichetta del tipo".

Scomparto congelatore Impostazione	Scomparto frigorifero Impostazione	Consigli
-20°C	4°C	Questa è l'impostazione predefinita consigliata. Questa impostazione è raccomandata se la temperatura ambiente è inferiore a 30°C.
-22 o -24 °C	4°C	Queste impostazioni sono consigliate quando la temperatura ambiente supera i 30°C.
Congelamento rapido	4°C	Usare quando si desidera congelare alimenti in modo rapido. Al termine del processo, le impostazioni del prodotto torneranno a quelle precedenti.
-18°C o inferiore	2°C	Usare queste impostazioni se si ritiene che lo scomparto del congelatore non sia sufficientemente freddo, a causa della temperatura ambiente, o a causa delle frequenti aperture della porta.

### Dettagli per il congelatore

Conformemente agli standard IEC 62552, il congelatore deve avere la capacità di congelare 4,5 kg di alimenti a -18°C o a temperature inferiori a 25°C in 24 ore per ogni 100 litri di volume dello scomparto congelatore.

Gli alimenti possono essere conservati solo per lunghi periodi di tempo a temperature uguali o inferiori a -18°.

Sarà possibile conservare gli alimenti freschi per mesi (all'interno del congelatore a temperature uguali o inferiori a -18°).

Per evitare uno scongelamento parziale, gli alimenti da congelare non devono entrare in contatto con gli altri alimenti già congelati all'interno del congelatore.

Bollire le verdure e filtrare l'acqua per estendere il tempo di conservazione del congelato. Collocare gli alimenti in sacchetti ermetici, dopo aver eseguito il filtraggio e il posizionamento all'interno del congelatore. Banane, pomodori, lattuga, sedano, uova bollite, patate e altri alimenti simili non dovrebbero essere congelati. Nel caso in cui questi alimenti si congelino, solo i valori nutrizionali e le qualità alimentari ne risentiranno negativamente. Non si tratta di una minaccia per la salute umana.

### Posizionamento degli alimenti

**Ripiani dello scomparto congelatore:** diversi alimenti congelati come carne, pesce, gelato, verdure ecc.

**Ripiani dello scomparto refrigerante:** alimenti all'interno di vasi, piatti e contenitori chiusi, uova (in contenitori chiusi)

**Ripiani dello sportello dello scomparto refrigerante:** alimenti o bevande di piccole dimensioni e confezionati

**Crisper:** Verdure e frutta

**Scomparto alimenti freschi:** Delicatessen (alimenti per la prima colazione, prodotti a base di carne da consumare in poco tempo)

### 7.3 Area di conservazione a freddo dei prodotti lattiero-caseari

#### Cassetto per la conservazione a freddo

Nello scomparto frigorifero, il cassetto per la conservazione a freddo può raggiungere temperature più basse. Utilizzare questo cassetto per prodotti di rosticceria (salumi, salsicce, ecc.) e latticini che richiedono condizioni di conservazione più fredde, o per carne, pollo o pesce da consumare rapidamente. Non conservare frutta e verdura in questo cassetto.

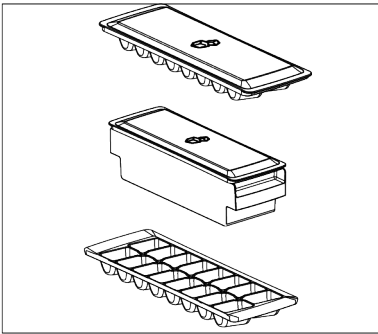
### 7.4 L'area di conservazione del ghiaccio

#### Contenitore del ghiaccio

La vaschetta del ghiaccio permette di prendere il ghiaccio facilmente dal frigorifero.

#### Utilizzo della vaschetta del ghiaccio

1. Estrarre il secchiello del ghiaccio dallo scomparto congelatore.
2. Riempire con acqua la vaschetta del ghiaccio.
3. Posizionare la vaschetta del ghiaccio nello scomparto congelatore. Il ghiaccio sarà pronto all'incirca dopo due ore.
4. Prendere la vaschetta del ghiaccio dallo scomparto congelatore e piegare leggermente sopra il contenitore che si utilizzerà. Il ghiaccio si verserà facilmente.



## 7.5 Inversione del lato di apertura della porta

Il lato di apertura della porta del frigorifero può essere invertito secondo il posto in cui lo si sistema. Nel caso sia necessario invertire il lato di apertura della porta, chiamare il servizio assistenza autorizzato più vicino.

## 7.6 Avviso di sportello aperto

Il sistema di avviso di sportello aperto del frigorifero può differire a seconda del modello.

### Versione 1;

Se lo sportello del prodotto rimane aperto per un determinato periodo di tempo (tra 60 e 120 secondi), viene emesso un segnale acustico di avviso; a seconda del modello di prodotto, può essere visualizzato anche un segnale di avvertimento visivo (luce lampeggiante). Se si chiude lo sportello del dispositivo o se si preme un pulsante sullo schermo del dispositivo, se presente, l'avviso sonoro si arresterà.

### Versione 2;

Se lo sportello del dispositivo resta aperto per un determinato periodo di tempo (tra 60 e 120 secondi) viene emesso l'avviso porta aperta. L'avviso di porta aperta viene emesso gradualmente. Prima un avviso udibile inizia a suonare. Dopo 4 minuti, se lo sportello non è ancora stato chiuso, si attiva un avviso visivo (luce lampeggiante). L'avviso di sportello aperto verrà ritardato per un certo periodo di tempo (tra 60 s e 120 s) quando si preme un qualsiasi tasto sullo schermo del prodotto, se presente. Quindi il processo ricomincerà. Quando lo sportello del dispositivo è chiuso, l'avviso di sportello aperto verrà annullato.

## 7.7 Sostituzione della lampada

Quando la lampadina/LED usata per l'illuminazione del frigorifero deve essere sostituita, chiamare il servizio assistenza autorizzato.

La lampada o le lampade utilizzate in questa apparecchiatura non possono essere utilizzate per l'illuminazione della casa. L'uso previsto di questa lampada è quello di aiutare l'utente a mettere il cibo nel frigorifero/congelatore in modo sicuro e confortevole.

## 7.8 AeroFlow

È un sistema di distribuzione dell'aria che fornisce una distribuzione omogenea della temperatura. La circolazione dell'aria assicura la distribuzione omogenea della temperatura nello scomparto di conservazione degli alimenti freschi, e le fluttuazioni di temperatura sono mantenute a livelli bassi. Non si verifica nessun soffio d'aria diretto sugli alimenti e questo aiuta a ridurre la perdita di umidità. Permette di mantenere la freschezza degli alimenti conservati nello scomparto degli alimenti freschi del frigorifero. In questo modo, gli alimenti sono conservati a temperature più stabili e il contatto con l'aria è ridotto. L'essiccazione e il restringimento degli alimenti a causa della perdita di umidità sono evitati per una maggiore e duratura freschezza.

## 8 Manutenzione e pulizia



### ATTENZIONE:

Leggere prima la sezione "Istruzioni di sicurezza".



### ATTENZIONE:

Scollegare il frigorifero prima di pulirlo.

- Non utilizzare utensili affilati o abrasivi per pulire il prodotto. Non usare materiali come detersivi domestici, sapone, detersivi, gas, benzina, diluenti, alcool, cera, ecc.
- La polvere deve essere rimossa dalla griglia di ventilazione sul retro del prodotto almeno una volta all'anno (senza aprire il coperchio). Pulire il prodotto servendosi di un panno asciutto.
- Fare attenzione a tenere l'acqua lontana dalla copertura delle lampade e dalle altre componenti elettriche.
- Pulire la porta servendosi di un panno umido. Per rimuovere la porta e i vari ripiani, rimuovere prima tutto il contenuto. Rimuovere i ripiani della porta sollevandoli verso l'alto. Pulire e asciugare i ripiani, poi fissare nuovamente in posizione facendo scorrere da sopra.
- Non usare acqua con cloro o prodotti detersivi sulla superficie esterna e sulle componenti rivestite in cromo. Il cloro provoca ruggine su queste superfici metalliche.
- Per evitare la deformazione della parte in plastica e rimuovere le impronte, non utilizzare utensili affilati e abrasivi, sapone, materiali per la pulizia della casa, detersivi, gas, benzina, vernice e sostanze simili. Per pulire, usare acqua tiepida e un panno morbido, quindi asciugare.
- Sui prodotti senza la funzione No-Frost, sulla parete posteriore dello scomparto congelatore potrebbero formarsi goccioline d'acqua e ghiaccio fino allo spessore di un dito. Non pulirla; non applicare mai olio o sostanze simili.

- Per pulire la superficie esterna del prodotto utilizzare un panno in micro-fibra leggermente inumidito. Spugne e altri tipi di panni per la pulizia potrebbero graffiare la superficie.
- Per pulire tutti i componenti rimovibili durante la pulizia della superficie interna del prodotto, lavare questi componenti con una soluzione delicata composta da sapone, acqua e carbonato. Risciacquare e asciugare completamente. Evitare il contatto dell'acqua con i componenti dell'illuminazione e con il pannello di controllo.



### ATTENZIONE:

Non utilizzare aceto, alcool o altri detersivi a base di alcool su nessuna delle superfici interne.

### Superfici esterne in acciaio inossidabile

Utilizzare un detersivo non abrasivo per acciaio inossidabile e applicarlo con un panno morbido privo di pelucchi. Per lucidare, strofinare delicatamente la superficie con un panno in micro-fibra inumidito con acqua e utilizzare una pelle di camoscio per lucidare a secco. Seguire sempre le venature in acciaio inossidabile.

### Prevenzione dei cattivi odori

Il prodotto è stato realizzato con materiali che non emettono cattivi odori. Il posizionamento degli alimenti in sezioni non adeguate e la pulizia delle superfici interne effettuata in modo non corretto potrebbe provocare cattivi odori.

- A tal fine consigliamo di pulire l'interno con acqua gassata ogni 15 giorni.
- Conservare gli alimenti in contenitori sigillati, poiché i microrganismi derivanti da alimenti tenuti in contenitori non sigillati causano cattivi odori.
- Non conservare alimenti scaduti e marci all'interno del frigorifero.



L'olio rovesciato sulle superfici in plastica potrebbe danneggiare la superficie, e deve essere pulito immediatamente servendosi di acqua tiepida.

## 9 Guida alla risoluzione dei problemi

Controllare questo elenco prima di contattare il servizio clienti. Questa operazione vi consentirà di risparmiare soldi. Questo elenco contiene le lamentele più frequenti che non riguardano problemi a livello di manodopera o materiali. Alcune funzioni qui indicate potrebbero non essere valide per il prodotto in questione.

### Il frigorifero non funziona.

- La presa di corrente non è stata inserita correttamente. >>> Spingerla fino a inserirla completamente nella presa.
- Il fusibile collegato alla presa che alimenta il prodotto, oppure il fusibile principale, è bruciato. >>> Controllare il fusibile.

### Condensa sulla parete laterale dello scomparto raffreddatore (MULTI ZONE, COOL, CONTROL e FLEXI ZONE).

- La porta viene aperta troppo spesso. >>> Fare attenzione a non aprire troppo frequentemente la porta del prodotto.
- L'ambiente è troppo umido. >>> Non installare il prodotto in ambienti umidi.
- Gli alimenti contenenti liquidi sono conservati in contenitori non sigillati. >>> Tenere gli alimenti contenenti liquidi in contenitori sigillati.
- La porta del prodotto viene lasciata aperta. >>> Non tenere aperte a lungo le porte del frigorifero.
- Il termostato è impostato su una temperatura molto fredda. >>> Impostare il termostato su una temperatura adeguata.

### Il compressore non funziona.

- In caso di improvviso black out, o nel caso in cui la spina venga tolta e poi reinserita, la pressione del gas nel sistema di raffreddamento del prodotto non è equilibrata, il che fa scattare la protezione termica del compressore. Il prodotto si riav-

vierà dopo circa 6 minuti. Qualora il prodotto non si riavvia dopo questo periodo, contattare l'assistenza.

- La modalità di scongelamento è attiva. >>> Si tratta di una condizione normale per un frigorifero con funzione di sbrinamento completamente automatica. Lo sbrinamento avviene a intervalli periodici.
- Il prodotto non è collegato. >>> Verificare che il cavo di alimentazione sia collegato.
- L'impostazione della temperatura è sbagliata. >>> Selezionare l'impostazione di temperatura adeguata.
- Non c'è corrente. >>> Il prodotto continuerà a funzionare normalmente quando verrà ripristinata la corrente elettrica.

### Il rumore di funzionamento del frigorifero aumenta col passare del tempo.

- Le prestazioni del prodotto potrebbero variare a seconda delle variazioni della temperatura ambiente. Ciò è normale e non è un'anomalia di funzionamento.

### Il frigorifero funziona troppo spesso o troppo a lungo.

- Il nuovo prodotto potrebbe essere più grande di quello precedente. I prodotti più grandi funzioneranno più a lungo.
- La temperatura della stanza potrebbe essere alta. >>> Il prodotto funzionerà normalmente per lunghi periodi di tempo con temperature ambiente superiori.
- Il prodotto potrebbe essere stato di recente collegato alla corrente, oppure al suo interno potrebbero essere stati recentemente aggiunti vari alimenti. >>> Al prodotto servirà più tempo per raggiungere la temperatura impostata, se collegato di recente, oppure nel caso in cui siano stati collocati nuovi alimenti al suo interno. Ciò è normale.

- Forse di recente sono state introdotte nel frigorifero grandi quantità di alimenti caldi. >>> Non mettere alimenti caldi direttamente dentro al frigorifero.
- Le porte sono state aperte frequentemente o tenute aperte a lungo. >>> L'aria calda che si muove all'interno provocherà un funzionamento più prolungato. Non aprire le porte con troppa frequenza.
- Le porte del congelatore o del raffreddatore potrebbero essere socchiuse. >>> Controllare che le porte siano totalmente chiuse.
- Il prodotto potrebbe essere impostato su una temperatura troppo bassa. >>> Impostare la temperatura su un livello più alto e attendere che il prodotto raggiunga la temperatura desiderata.
- La rondella della porta del raffreddatore o del congelatore potrebbe essere sporca, usurata, rotta o non correttamente configurata. >>> Pulire o sostituire la guarnizione. Le rondelle consumate e usurate faranno funzionare il prodotto più a lungo per conservare la temperatura attuale.

**La temperatura del congelatore è molto bassa, ma la temperatura del raffreddatore è corretta.**

- La temperatura dello scomparto congelatore è impostata su un livello molto basso. >>> Impostare la temperatura dello scomparto congelatore su un livello più alto, quindi eseguire un controllo.

**La temperatura del raffreddatore è molto bassa, ma la temperatura del congelatore è corretta.**

- Impostare la temperatura dello scomparto raffreddatore su un livello più alto, quindi eseguire un controllo. >>> Impostare la temperatura dello scomparto raffreddatore su un livello più alto, quindi eseguire un nuovo controllo.

**Gli alimenti conservati nei cassetti dello scomparto raffreddatore sono congelati.**

- Impostare la temperatura dello scomparto raffreddatore su un livello più alto, quindi eseguire un controllo. >>> Impo-

stare la temperatura dello scomparto raffreddatore su un livello più alto, quindi eseguire un nuovo controllo.

**La temperatura nello scomparto raffreddatore e congelatore è troppo alta.**

- La temperatura dello scomparto raffreddatore è impostata su un livello molto alto. >>> L'impostazione della temperatura dello scomparto raffreddatore ha un effetto sulla temperatura dello scomparto congelatore. Attendere che la temperatura delle parti interessate raggiunga il livello sufficiente modificando la temperatura degli scomparti del raffreddatore o del congelatore.
- Le porte sono state aperte frequentemente o tenute aperte a lungo. >>> Non aprire le porte con troppa frequenza.
- La porta potrebbe essere socchiusa. >>> Chiudere completamente la porta.
- Il prodotto potrebbe essere stato di recente collegato alla corrente, oppure al suo interno potrebbero essere stati recentemente aggiunti vari alimenti. >>> Non si tratta di un'anomalia. >>> Al prodotto servirà più tempo per raggiungere la temperatura impostata, se collegato di recente, oppure nel caso in cui siano stati collocati nuovi alimenti al suo interno.
- Forse di recente sono state introdotte nel frigorifero grandi quantità di alimenti caldi. >>> Non mettere alimenti caldi direttamente dentro al frigorifero.

**Vibrazioni o rumore.**

- >>> Se il prodotto vibra quando viene spostato lentamente, regolare i supporti per equilibrarlo. Verificare inoltre che la superficie di appoggio sia sufficientemente resistente per supportarne il peso.
- Gli eventuali oggetti collocati sul prodotto potrebbero causare rumori. >>> Togliere gli eventuali elementi collocati sul prodotto.
- Il prodotto emette rumori, come ad esempio liquido che scorre, spruzzo, eccetera
- I principi operativi del prodotto prevedono flussi di liquido e di gas. >>> Ciò è normale e non è un'anomalia di funzionamento.

### **C'è un rumore, simile a un soffio, che proviene dal prodotto.**

- Il prodotto si serve di una ventola per il processo di raffreddamento. Ciò è normale e non è un'anomalia di funzionamento.

### **Si è formata condensa sulle pareti interne del prodotto.**

- Le temperature calde o umide aumenteranno la formazione di ghiaccio e la condensa. Ciò è normale e non è un'anomalia di funzionamento.
- Le porte sono state aperte frequentemente o tenute aperte a lungo. >>> Non aprire le porte con troppa frequenza; se la porta è aperta, chiuderla.
- La porta potrebbe essere socchiusa. >>> Chiudere completamente la porta.

### **Si è formata condensa sulla superficie esterna del prodotto o fra le porte.**

- Le condizioni ambientali potrebbero essere umide, e ciò è normale. >>> La condensa si dissiperà alla riduzione dell'umidità.

### **L'interno emette cattivi odori.**

- Il prodotto non è stato pulito regolarmente. >>> Pulire la superficie interna a intervalli regolari servendosi di spugna, acqua tiepida, e acqua gassata.
- Alcuni supporti e materiali da confezionamento potrebbero causare cattivi odori. >>> Servirsi di supporti confezionamento che non emettano cattivi odori.
- Gli alimenti sono stati collocati in supporti non sigillati. >>> Tenere gli alimenti in contenitori sigillati. I microrganismi potrebbero fuoriuscire dagli alimenti non sigillati causando così cattivi odori.
- Rimuovere gli eventuali alimenti scaduti o rovinati dal prodotto.

### **La porta non si chiude correttamente.**

- Le confezioni degli alimenti potrebbero bloccare la porta. >>> Trovare una nuova posizione per gli alimenti che bloccano le porte.
- Il prodotto non è in posizione verticale, appoggiato per terra. >>> Regolare i supporti per l'equilibrio del prodotto.
- La superficie non è piatta o resistente >>> Assicurarsi che la superficie sia piatta e sufficientemente resistente per sostenere il prodotto.

### **Il cassetto frutta e verdura è inceppato.**

- Gli alimenti potrebbero entrare in contatto con la sezione superiore del cassetto. >>> Ri-organizzare gli alimenti nel cassetto.

### **Temperatura sulla superficie del prodotto.**

- Mentre il prodotto è in funzione, potrebbero generarsi temperature elevate tra le due porte, sui pannelli laterali e sulla griglia posteriore. Ciò è normale e non richiede interventi di manutenzione.

### **La ventola continua a funzionare quando la porta è aperta.**

- La ventola potrebbe continuare a funzionare quando la porta del congelatore è aperta.



**ATTENZIONE:** Qualora il problema persista dopo aver seguito le istruzioni contenute in questa selezione, contattare il proprio fornitore oppure un Servizio Autorizzato. Evitare in ogni caso di riparare il prodotto. Ciò è normale.

### **Informazioni sulla classificazione dell'imballaggio**

Scansiona il Qrcode che si trova sull'imballo del prodotto per trovare tutte le informazioni relative all'imballo e come gestirne il suo corretto smaltimento.

## **DISCLAIMER/AVVERTIMENTO**

Alcuni guasti (semplici) possono essere gestiti adeguatamente dall'utente finale senza che si verifichino problemi di sicurezza o di

utilizzo non sicuro, a condizione che vengano eseguiti entro i limiti e in conformità alle seguenti istruzioni (vedere la sezione "Autoriparazione").

Pertanto, se non diversamente autorizzato nella sezione "Autoriparazione", per evitare problemi di sicurezza, le riparazioni devono essere effettuate da riparatori professionisti registrati. Un riparatore professionale registrato è un riparatore professionale a cui il produttore ha concesso l'accesso alle istruzioni e all'elenco delle parti di ricambio di questo prodotto secondo i metodi descritti negli atti legislativi ai sensi della direttiva 2009/125/CE.

**Solo gli agenti di assistenza (cioè i riparatori professionali autorizzati) raggiungibili tramite il numero di telefono indicato nel manuale d'uso/scheda di garanzia o tramite il rivenditore autorizzato possono, tuttavia, fornire assistenza in base ai termini della garanzia. Pertanto, si ricorda che le riparazioni effettuate da riparatori professionisti (non autorizzati da) Beko annulleranno la garanzia.**

#### **Autoriparazione**

L'utente finale può effettuare l'autoriparazione dei seguenti pezzi di ricambio: maniglie, cerniere, vassoi, cestini e guarnizioni dello sportello (un elenco aggiornato è disponibile anche su [support.beko.com](http://support.beko.com) a partire dal 1° marzo 2021).

Inoltre, per garantire la sicurezza del prodotto e prevenire il rischio di gravi lesioni, l'autoriparazione menzionata deve essere eseguita seguendo le istruzioni contenute nel manuale d'uso per l'autoriparazione o disponibili su [support.beko.com](http://support.beko.com). Per la sicurezza dell'utente, prima di tentare qualsiasi riparazione, staccare la spina del prodotto.

I tentativi di riparazione da parte degli utenti finali per parti non incluse in tale elenco e/o non seguendo le istruzioni contenute nei manuali d'uso per l'autoriparazione o disponibili su [support.beko.com](http://support.beko.com), potrebbero causare problemi di sicurezza non imputabili a Beko e invalideranno la garanzia del prodotto.

Pertanto, si raccomanda vivamente agli utenti finali di astenersi dal tentare di effettuare riparazioni che non rientrano nell'elenco dei pezzi di ricambio indicati, rivolgendosi in questi casi a riparatori professionali autorizzati o registrati. Al contrario, tali tentativi da parte degli utenti finali potrebbero causare problemi di sicurezza e danneggiare il prodotto, con conseguenti incendi, allagamenti, folgorazioni e gravi lesioni personali.

A titolo esemplificativo, ma non esaustivo, le seguenti riparazioni devono essere affidate a riparatori professionali autorizzati o registrati: compressore, circuito di raffreddamento, scheda principale, scheda inverter, scheda display, ecc.

Il produttore/venditore non può essere ritenuto responsabile in ogni caso di mancata osservanza di quanto sopra da parte degli utenti finali.

La disponibilità dei pezzi di ricambio del frigorifero acquistato è di 10 anni. Durante questo periodo, i pezzi di ricambio originali saranno disponibili per il corretto funzionamento del frigorifero.

La durata minima della garanzia del frigorifero acquistato è di 24 mesi.

Questo prodotto è dotato di una sorgente luminosa di classe energetica "G".

La sorgente luminosa di questo prodotto deve essere sostituita solo da un riparatore professionista

Vedi anche

2 DISCLAIMER / WARNING [ ] 28]