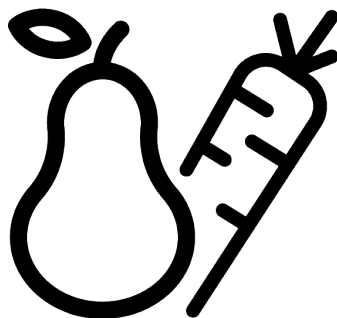


# beko

**Refrigerator** / User Manual  
**Frigorífico** / Manual do utilizador  
**Frigorifero** / Manuale Utente  
**Ψυγείο** / Εγχειρίδιο Χρήστη



B5RCNE405LXP - B5RCNE405LXBR

58 8391 0000/ EN/ PT/ IT/ EL/ AA/ 17/8/2022 5:09 μμ  
7282343701\_7282343702



# Please read this manual first!

Dear Customer

**Please read this manual before using the product.**

Thank you for choosing this Beko product. We would like you to achieve the optimal efficiency from this high quality product which has been manufactured with state of the art technology. To do this, carefully read this manual and any other documentation provided before using the product and keep it as a reference.

Heed all information and warnings in the user manual. This way, you will protect yourself and your product against the dangers that may occur.

Keep the user manual. Include this manual with the unit if you hand it over to someone else.

**The following symbols are used in the user manual:**



Hazard that may result in death or injury.



Important information or useful tips on operation.







Read the user manual.



Combustible material, warning against fire hazard.

NOTICE A hazard that may cause material damage to the product or its surroundings

  <b>SUPPLIER'S NAME</b>  <b>MODEL IDENTIFIER</b> → (*) 	<p>The model information as stored in the product data base can be reached by entering following website and searching for your model identifier (*) found on energy label.</p> <p><a href="https://eprel.ec.europa.eu/">https://eprel.ec.europa.eu/</a></p>
---	--

<b>1</b>	<b>Safety Instructions.....</b>	<b>4</b>
1.1	Intention of Use .....	4
1.2	Safety of Children, Vulnerable Persons and Pets .....	4
1.3	Electrical Safety.....	5
1.4	Handling Safety .....	6
1.5	Installation Safety.....	6
1.6	Operational Safety.....	8
1.7	Food Storage Safety.....	10
1.8	Maintenance and Cleaning Safety	10
<b>2</b>	<b>Environmental Instructions.....</b>	<b>11</b>
2.1	Compliance with the WEEE Dir- ective and Disposing of the Waste Product .....	11
<b>3</b>	<b>Your Refrigerator .....</b>	<b>12</b>
<b>4</b>	<b>Installation .....</b>	<b>12</b>
4.1	Right Place For Installation.....	12
4.2	Electrical Connection .....	13
4.3	Attaching the Plastic Wedges .....	13
4.4	Adjusting the Legs.....	13
4.5	Hot Surface Warning.....	14
<b>5</b>	<b>Preparation.....</b>	<b>14</b>
5.1	What to Do for Energy Saving.....	14
5.2	First Use .....	14
5.3	Climate Class and Definitions .....	15
<b>6</b>	<b>Operating the Product.....</b>	<b>15</b>
<b>7</b>	<b>Use of Your Appliance.....</b>	<b>16</b>
7.1	Control Panel of the Product .....	16
7.2	Storing Food in the Cooler Com- partment.....	18
7.3	Crisper.....	20
7.4	Photocatalytic Module (Fresh- Guard) .....	21
7.5	Dairy Products Cold Storage Area	21
7.6	Reversing the Door Opening Side.	21
7.7	Door Open Alert .....	21
7.8	Foldable Wine Rack.....	21
7.9	Replacing the Illumination Lamp..	22
7.10	AeroFlow .....	22
<b>8</b>	<b>Maintenance and Cleaning .....</b>	<b>22</b>
<b>9</b>	<b>Troubleshooting.....</b>	<b>23</b>

# 1 Safety Instructions

- This section includes the safety instructions necessary to prevent the risk of personal injury or material damage.
- Our company shall not be held responsible for damages that may occur if these instructions are not observed.



Always have installation and repair operations performed by manufacturer, authorized service or a person who will be described by importer company.



Use original spare parts and accessories only.



Do not repair or replace any component of the product unless it is clearly specified in the user manual.



Do not perform any modifications on the product.

## 1.1 Intention of Use

- This product is not suitable for commercial use and should not be used for a purpose other than its intended use.
- This product is intended for operating interiors, such as households or similar.

For example;

In the staff kitchens of the stores, offices and other working environments,

In farm houses,

In the units of hotels, motels or other resting facilities that are used by the customers,

In hostels, or similar environments,

In catering services and similar non-retail applications.

- This product shall not be used in open or enclosed external environments such as vessels, camper vans, balconies or terraces. Exposing the product to rain, snow, sunlight and wind may cause risk of fire.

## 1.2 Safety of Children, Vulnerable Persons and Pets



- This product may be used by children aged 8 years and older and persons with underdeveloped physical, sensory or mental capabilities or lack of experience and knowledge if they are being supervised or have been given instruction concerning use of the appliance in a safe way and the hazards involved.

- Children between 3 and 8 years are allowed to put and take out food into/from the cooler product.
- Electrical products are dangerous for children and pets. Children and pets must not play with, climb on, or enter the product.
- Cleaning and user maintenance should not be performed by children unless there is someone overseeing them.
- Keep the packaging materials away from children. Risk of injury and suffocation.

Before disposing of old products that shall not be used any more:

1. Unplug the power cord from the mains socket.
  2. Cut the power cable and remove it from the appliance together with the plug.
  3. Do not remove the racks and drawers from the product to prevent children from getting inside the appliance.
  4. Remove the doors.
  5. Store the product so that it shall not be tipped over.
  6. Do not allow children to play with the scrapped product.
- Do not dispose of the product by throwing it into fire. Risk of explosion.

- If there is a lock available on the product's door, keep the key out of children's reach.

### 1.3 Electrical Safety

- The product shall not be plugged into the outlet during installation, maintenance, cleaning, repair, and transportation operations.
- If the power cable is damaged, it shall only be replaced by authorized service to avoid any risks that may occur.
- Do not tuck the power cable under the product or to the rear of the product. Do not put heavy items on the power cable. The power cable should not be bent, crushed, and come into contact with any heat source.
- Do not use an extension cord, multi-plug or adaptor to operate your product.
- Portable multi-plugs or portable power supplies may overheat and cause fire. Thus, do not have a multi-plug, portable power sources behind or in the vicinity of the product.
- Do not plug the product's power cord in a loose or damaged power outlet. These types of connections may overheat and cause fire.

- The plug shall be easily accessible. If this is not possible, a mechanism that meets the electrical legislation and that disconnects all terminals from the mains (fuse, switch, main switch, etc.) shall be available on the electrical installation.
- Do not touch the plug with wet hands.
- When unplugging the appliance, don't hold the power cord, but the plug.

#### 1.4 Handling Safety

- This product is heavy, do not handle it by yourself.
- Do not hold the product from its door while handling the product.
- Be careful not to damage the cooling system and the pipes while handling the product. Do not operate the product if the pipes are damaged, and contact an authorized service.

#### 1.5 Installation Safety

- Contact the Authorized Service for the product's installation. To prepare the product for use, see the information in the user manual and make sure the electric and water utilities are as required. If not, call a qualified electrician and plumber to

arrange the utilities as necessary. Failure to do so may result in electric shock, fire, problems with the product, or injury.

- Check for any damage on the product before installing it. Do not have the product installed if it is damaged.
- Place the product on a clean, level and hard surface and balance it with the adjustable legs. Otherwise, the refrigerator may tip over and cause injuries.
- The product shall be installed in a dry and ventilated environment. Do not keep carpets, rugs or similar covers under the product. This may cause risk of fire as a result of inadequate ventilation!
- Do not block or cover ventilation holes. Otherwise, power consumption increases and your product may be damaged.
- The product must not be connected to supply systems such as solar power supply. Otherwise, your product may be damaged due to sudden voltage changes!
- The more refrigerant a refrigerator contains, the bigger its installation room should be. In very small rooms, a flammable

gas-air mixture may occur in case of a gas leak in the cooling system. At least 1 m<sup>3</sup> of volume is required for each 8 grams of refrigerant. The amount of the refrigerant available in your product is specified in the Type Label.

- The installation place of the product shall not be exposed to direct sunlight and it shall not be in the vicinity of a heat source such as stoves, radiators, etc. If you cannot prevent installation of the product in the vicinity of a heat source, use a suitable insulation plate and make sure the minimum distance to the heat source is as specified below:
  - At least 30 cm away from heat sources such as stoves, ovens, heating units and heaters, etc.,
  - And at least 5 cm away from electrical ovens.
- Your product has the protection class of I.
- Plug the product in a grounded socket that conforms with the Voltage, Current and Frequency values specified in the type label. The socket must have a 10A – 16A fuse. Our firm will not assume responsibility for any damages due to usage without earthing and without power connection in compliance with local and national regulations.
- The product's power cable must be unplugged during installation. Otherwise, risk of electric shock and injury may occur!
- Do not plug the product's power cord in loose, dislocated, broken, dirty, oily power outlets which have a risk of water contact. These types of connections may cause overheating and fire.
- Place the power cable and hoses (if any) of the product so that they shall not cause a risk of tripping over.
- Penetration of humidity and liquid to live parts or to the power cord may cause short circuit. Thus, do not use the product in humid environments or in areas where water may splash (e.g. garage, laundry room, etc.) If the refrigerator is wet by water, unplug it and contact an authorized service.
- Do not ever connect your refrigerator to power saving devices. These systems are harmful for the product

## 1.6 Operational Safety

- Do not ever use chemical solvents on the product. These materials contain an explosion risk.
- In case of a failure of the product, unplug it and do not operate until it is repaired by the authorized service. There is a risk of electric shock!
- Do not place a source of flame (e.g. candles, cigarettes, etc.) on the product or in the vicinity of it.
- Do not get on the product. Risk of falling and injury!
- Do not cause damage to the pipes of the cooling system using sharp and piercing tools. The refrigerant that sprays out in case of puncturing the gas pipes, pipe extensions or upper surface coatings may cause irritation of skin and injury to the eyes.
- Do not place and operate electrical appliances inside the refrigerator/freezer unless it is advised by the manufacturer.
- Do not jam any parts of your hands or your body to the moving parts inside the product. Be careful to prevent jamming of your fingers between the refrigerator and its door. Be careful while opening or closing the door if there are children around.
- Do not put ice cream, ice cubes or frozen food to your mouth as soon as you take them out of the freezer. Risk of frostbite!
- Do not touch the inner walls, metal parts of the freezer or food kept inside the freezer with wet hands. Risk of frostbite!
- Do not place soda cans or cans and bottles that contain fluids that may be frozen to the freezer compartment. Cans or bottles may explode. Risk of injury and material damage!
- Do not use or place materials sensitive against temperature such as flammable sprays, flammable objects, dry ice or other chemical agents in the vicinity of the refrigerator. Risk of fire and explosion!
- Do not store explosive materials such as aerosol cans with flammable materials inside the product.
- Do not place cans containing fluids over the product an open state. Splashing of water on an electrical part may cause the risk of an electric shock or a fire.



- This product is not intended for storage and cooling of medicines, blood plasma, laboratory preparations or similar materials and products that are subject to the Medical Products Directive.
- If the product is used against its intended purpose, it may cause damage to or deterioration of the products kept inside.
- If your refrigerator is equipped with blue light, do not look at this light with optical devices. Do not stare directly at UV LED light for a long time. Ultraviolet rays may cause eye strain.
- Do not fill the product with more food than its capacity. Injuries or damages may occur if the contents of the refrigerator fall when the door is opened. Similar problems may also occur when an object is placed over the product.
- Ensure that you have removed any ice or water that may have fallen to the floor to prevent injuries.
- Change the locations of the racks/bottle racks on the door of your refrigerator only when the racks are empty. Danger of injury!
- Do not place objects that may fall/tip over on the product. These objects may fall while opening or closing the door and cause injuries and/or material damages.
- Do not hit or exert excessive pressure on glass surfaces. Broken glass may cause injuries and/or material damages.
- The cooling system in your product contains R600a refrigerant. The refrigerant type used in the product is specified in the type label. This gas is flammable. Therefore, be careful not to damage the cooling system and the pipes while operating the product. In case of damage to the pipes;
  1. Do not touch the product or the power cable.
  2. Keep the product away from potential sources of fire that may cause the product to catch fire.
  3. Ventilate the area where the product is placed. Do not use a fan.
  4. Contact Authorized Service.
  5. If the product is damaged and you observe gas leak, please stay away from the gas. Gas may cause frostbite if it contacts your skin.

## 1.7 Food Storage Safety

Please pay attention to the following warnings to avoid food spoilage:

- Leaving the doors open for a long time may cause the temperature inside the product to rise.
- Regularly clean the accessible drainage systems in contact with food.
- Clean the water tanks that have not been used for 48 hours and mains-fed water systems that have not been used for more than 5 days.
- Store raw meat and fish products in appropriate compartments within the product. Thus, it does not drip on or come into contact with other foods.
- Two-star freezer compartments are used for storing pre-filled foods, making and storing ice and ice cream.
- One, two and three-star compartments are not appropriate for freezing fresh food.
- If the cooling product has been left empty for a long time, turn off the product, defrost, clean, and dry the product in order to protect the housing of the product.

## 1.8 Maintenance and Cleaning Safety

- Unplug the refrigerator before cleaning it or starting to perform maintenance.
- Do not pull by the door handle if you shall move the product for cleaning purposes. Handle may cause injuries if it is pulled too hard.
- Do not put your hands etc. under the refrigerator. Jamming may occur or any sharp edge may cause personal injuries.
- Do not clean the product by spraying or pouring water on the product and inside the product. Risk of electric shock and fire.
- When cleaning the product, do not use sharp and abrasive tools or household cleaning agents, detergent, gas, gasoline, thinner, alcohol, varnish, and similar substances. Use only cleaning and maintenance agents that are not harmful for food inside the product.
- Do not ever use steam or steamed cleaning materials for cleaning the product and thawing the ice inside it. Steam con-

tacts the live areas in your refrigerator and causes short circuit or electric shock.

- Take care to keep water away from the ventilation holes, electronic circuits or lighting of the product.

- Use a clean, dry cloth to wipe the dust or foreign material on the tips of the plugs. Do not use a wet or damp piece of cloth to clean the plug. Otherwise, risk of fire or electric shock may occur.

## 2 Environmental Instructions

### 2.1 Compliance with the WEEE Directive and Disposing of the Waste Product



This product complies with EU WEEE Directive (2012/19/EU). This product bears a classification symbol for waste electrical and electronic equipment (WEEE).

This symbol indicates that this product shall not be disposed with other household wastes at the end of its service life. Used device must be returned to official collection point for recycling of electrical and electronic devices. To find these collection systems please contact to your local authorities or retailer where the product was purchased. Each household performs important role in recovering and recycling of old appliance. Appropriate disposal of used

appliance helps prevent potential negative consequences for the environment and human health.

### Compliance with RoHS Directive

The product you have purchased complies with EU RoHS Directive (2011/65/EU). It does not contain harmful and prohibited materials specified in the Directive.

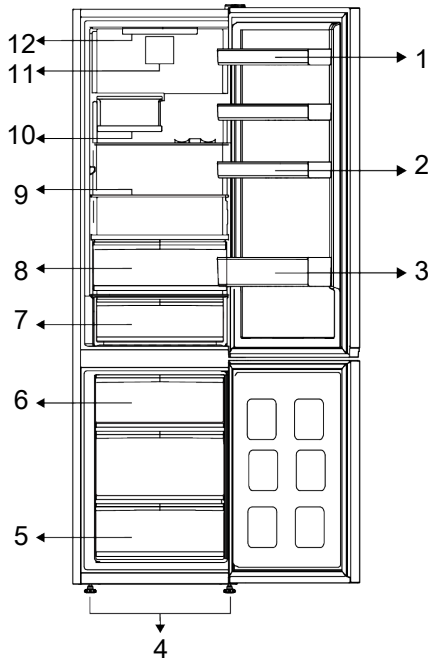


#### Package information

Packaging materials of the product are manufactured from recyclable materials in accordance with our National Environment Regulations. Do not dispose of the packaging materials together with the domestic or other wastes. Take them to the packaging material collection points designated by the local authorities.

### 3 Your Refrigerator

---



- |                             |                           |
|-----------------------------|---------------------------|
| 1 * Adjustable Door Shelves | 2 * Egg Holders           |
| 3 * Bottle Shelf            | 4 * Adjustable Front Legs |
| 5 * Freezer Compartment     | 6 * Ice Container         |
| 7 * Cold Storage Drawer     | 8 * Crisper               |
| 9 * Adjustable Shelves      | 10 * Foldable Wine Bin    |
| 11 * Fan                    | 12 * Illumination Lamp    |

**\*Optional:** Figures in this user manual are schematic and may not exactly match your product. If your product does not comprise the relevant parts, the information pertains to other models.

### 4 Installation

---



Read the "Safety Instructions" section first!

#### 4.1 Right Place For Installation

Contact the Authorized Service for the product's installation. To prepare the product for installation, see the information

in the user manual and make sure the electric and water utilities are as required. If not, call an electrician and plumber to arrange the utilities as necessary.

**WARNING:**

The manufacturer assumes no responsibility for any damages caused by the work carried out by unauthorized persons.

**WARNING:**

The product's power cable must be unplugged during installation. Failure to do so may result in death or serious injuries!

**WARNING:**

If the door span is too narrow for the product to pass, remove the door and turn the product sideways; if this does not work, contact the authorized service.

- Place the product on a flat surface to avoid vibration.
- Place the product at least 30 cm away from the heater, stove and similar sources of heat and at least 5 cm away from electric ovens.
- Do not expose the product to direct sunlight or keep it in damp environments.
- Your product requires adequate air circulation to function efficiently. If the product will be placed in an alcove, remember to leave at least 5 cm clearance between the product and the ceiling, rear wall and the side walls.
- Check if the rear wall clearance protection component is present at its location (if provided with the product).
- If the component is not available, or if it is lost or fallen, position the product so that at least 5 cm clearance shall be left between the rear surface of the product and the wall of the room. The clearance at the rear is important for efficient operation of the product.

## 4.2 Electrical Connection



Do not use extension or multi sockets in power connection.



Damaged power cable must be replaced by Authorized Service.



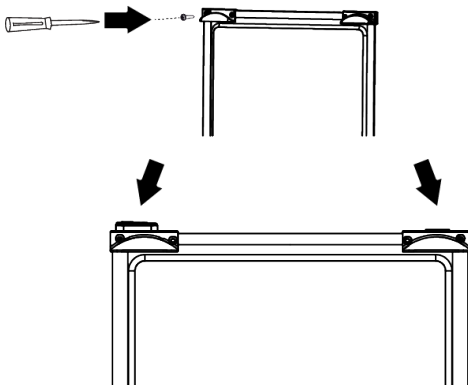
When placing two coolers in adjacent position, leave at least 4 cm distance between the two units.

- Our firm will not assume responsibility for any damages due to usage without earthing and power connection in compliance with national regulations.
- The power cable plug must be easily accessible after installation.
- Do not use multi-group plug with or without extension cable between the wall socket and the refrigerator.

## 4.3 Attaching the Plastic Wedges

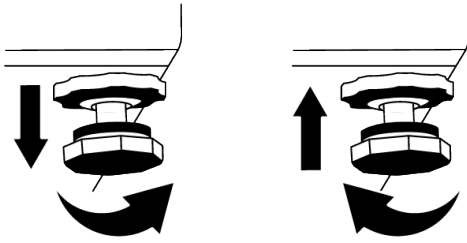
Use the plastic wedges provided with the product to maintain sufficient space for air circulation between the product and the wall.

1. To attach the wedges, remove the screws on the product and use the screws provided with the wedges.
2. Attach 2 plastic wedges on the ventilation cover as shown in the figure.



## 4.4 Adjusting the Legs

If the product is not in balanced position, adjust the front adjustable legs by rotating them to right or left.



## 4.5 Hot Surface Warning

The side walls of your product are equipped with cooler pipes to enhance the cooling system. High pressure fluid may flow through these surfaces, and cause hot surfaces on the side walls. This is normal and it does not require servicing. Be careful when you contact these areas.

## 5 Preparation



Read the "Safety Instructions" section first!

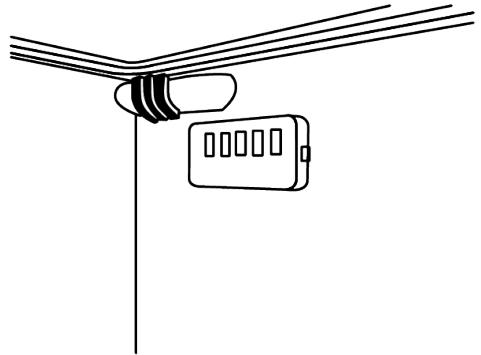
### 5.1 What to Do for Energy Saving



Connecting the product to electronic energy-saving systems is harmful, as it may damage the product.

- This refrigerating appliance is not intended to be used as a built in appliance.
- Do not keep the refrigerator doors open for long periods.
- Do not place hot food or beverages into the refrigerator.
- Do not overfill the refrigerator; blocking the internal air flow will reduce cooling capacity.
- In order to load the maximum quantity of food into the freezer compartment of your refrigerator, the upper drawers should be taken out and the food should be placed onto the wire/glass shelves. Net volume and energy consumption information declared in the energy label of your refrigerator was tested by taking out the upper drawers in the cooler department and the ice bucket, which is easily removable by hand.
- Using the below drawer when storing is strongly recommended.
- Depending on the product's features; defrosting frozen foods in the cooler compartment will ensure energy saving and preserve food quality.

- Make sure the foods are not in contact with the cooler compartment temperature sensor described below.



- If they are in contact with the sensor, energy consumption of the appliance might increase
- Food shall be stored using the drawers in the cooler compartment in order to ensure energy saving and protect food in better conditions.
- Food packages shall not be in direct contact with the temperature sensor located in the freezer compartment.

### 5.2 First Use

Before using your refrigerator, make sure the necessary preparations are made in line with the instructions in "Safety and Environmental Instructions" and "Installation" sections.

- Keep the product running without placing any food inside for 6 hours and do not open the door, unless absolutely necessary.
- The temperature change caused by opening and closing of the door while using the product may normally lead to condensation on door/body shelves and glassware placed in the product.



A sound will be heard when the compressor is engaged. It is normal for the product to make noise even if the compressor is not running, as fluid and gas may be compressed in the cooling system.



It is normal for the front edges of the refrigerator to be warm. These areas are designed to warm up in order to prevent condensation.



For some models, indicator panel turns off automatically 1 minute after the door closes. It will be re-activated when the door is opened or any button is pressed.

### 5.3 Climate Class and Definitions

Please refer to the Climate Class on the rating plate of your device. One of the following information is applicable to your device according to the Climate Class.

- **SN:** Long Term Temperate Climate: This cooling device is designed for use at ambient temperatures between 10 °C and 32 °C.
- **N:** Temperate Climate: This cooling device is designed for use at ambient temperatures between 16°C and 32 °C.
- **ST:** Subtropical Climate: This cooling device is designed for use at ambient temperatures between 16°C and 38°C.
- **T:** Tropical Climate: This cooling device is designed for use at ambient temperatures between 16°C and 43°C.

## 6 Operating the Product



Read the "Safety Instructions" section first!

- Do not use any mechanical tools or any other tools than the recommendations of the manufacturer to speed up the thawing operation.
- Do not use parts of your refrigerator such as the door or drawers as a support or a step. This may cause the product to trip over or its components to be damaged.
- The product shall be used for storing food only.

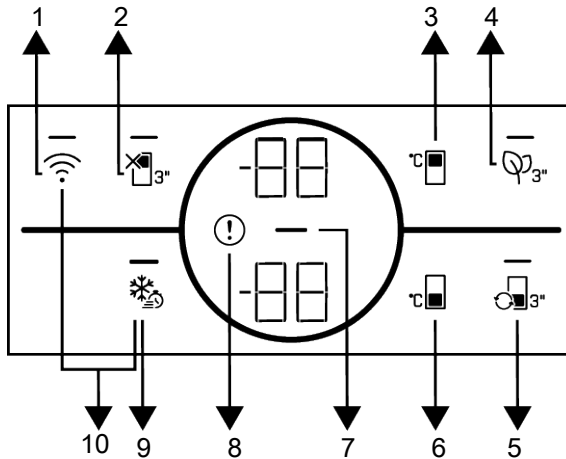
- Turn off the water valve if you will be away from home (e.g. at vacation) and you will not be using the Icematic or the water dispenser for a long period of time. Otherwise, water leaks may occur.

### Unplugging the Product

- If you are not going to use the product for a long time, unplug the product from the socket.
- Remove the food to prevent odours,
- Wait for the ice to melt, clean the interior and let it dry, leave the doors open to avoid damaging the inner body plastics.

## 7 Use of Your Appliance

### 7.1 Control Panel of the Product



- |  |   |
|--|---|
| 1 * Wireless Key                               | 2 * Cooler Compartment OFF (Vacation) Function      |
| 3 * Cooler Compartment Temperature Setting Key | 4 * Deodoriser Module Key                           |
| 5 * Compartment Conversion Key                 | 6 * Freezer Compartment Temperature Setting Key     |
| 7 * Energy Saving (Display Off) Indicator      | 8 * Error Status Indicator                          |
| 9 * Quick Freezing Key                         | 10 * Key for Resetting Wireless Connection Settings |

 Read the "Safety Instructions" section first.

Auditory and visual functions on the indicator panel will assist you in using the refrigerator.

**\*Optional:** Shown functions are optional, there may be differences of shape and location in functions found on your appliance's indicator panel.

#### 1. Wireless Key

This key is used to make a wireless connection with your product via HomeWhiz mobile

app. When you press the key for 3 seconds, the wireless connection symbol on the display/screen flashes slowly (with intervals of 0.5 seconds). The home network is initialized on the product this way. After achieving wireless connection with the product, wireless connection symbol illuminates continuously, you may activate/deactivate the connection with a short press on this key. The wireless connection icon flashes (with the interval of 0.2 seconds) until the connection is established. When the connection is active, LED will remain lit. If the connection cannot be established for a long period, check your connection settings and refer to the "Troubleshooting"



section provided in the user manual. HomeWhiz application will be used for wireless connection. The steps for setup are explained through the application during setup. You can access the application by scanning the QR code on the HomeWhiz label on the appliance. The application can be obtained from App Store or from Play Store for Android devices. For details visit <https://www.homewhiz.com/> address.

## 2. Cooler Compartment Off (Vacation)

### Function Key

Press the key for 3 seconds to activate the vacation function. Vacation mode is activated and the LED on the key is illuminated. "--" shall be displayed on the Cooler Compartment temperature indicator and the cooler compartment does not actively perform cooling. You should not keep your food in the cooler compartment if you activate this function. The other compartments continue to cool according to temperatures set before. Press and hold the key for 3 seconds again to cancel this function.

## 3. Cooler Compartment Temperature

### Setting Key

Allows setting of temperature for cooler compartment. Pressing the key will enable the cooler compartment temperature to be set at 8 °C, 7 °C, 6 °C, 5 °C, 4 °C, 3 °C, 2 °C, and 1 °C.

## 4.\*Deodoriser Module Key

Press this key for 3 seconds to activate/deactivate the deodoriser feature. When the deodoriser feature is active, the LED on the respective key is illuminated. When the feature is active, the deodoriser module will be operated periodically.

## 5. Compartment Conversion Key

Pressing compartment conversion key for 3 seconds, the freezer section switches between cooler, off and freezer modes. If it is operated as the cooler compartment, the temperature of the compartment will be set as 4 °C. In the off mode, compartment temperature indicator shall display "--".

## 6. Freezer Compartment Temperature

### Setting Key

Temperature setting is made for freezer compartment. Pressing the key will enable the freezer compartment temperature to be set at -18 °C, -19 °C, -20 °C, -21 °C, -22 °C, -23 °C, and -24 °C.

## 7. Energy Saving (Display Off) Indicator

Energy saving function is enabled automatically and the energy saving symbol lights up when the door of the product is not opened or closed for some period of time. When the energy saving function is active, all symbols on the screen other than the energy saving symbol shall be turned off. When the energy saving function is active, pressing any key or opening the door will deactivate the energy saving function and the display signals will return to normal. The energy saving function is a function activated ex-factory and cannot be cancelled.

## 8. Error Status Indicator

This indicator shall be active when your refrigerator cannot perform adequate cooling or in case of any sensor error. On the freezer compartment temperature indicator the letter "E" and on the cooler compartment temperature indicator the numbers 1, 2, 3 will be displayed. These numbers on the indicator specify the service regarding the failure. If you place hot food in the freezer compartment or leave its door open for a prolonged time, an exclamation mark can be lit. This is not a fault, this warning shall be removed when the food is cooled down or when any key is pressed.

## 9. Quick Freezing Key

When the quick freezing key is pressed, the LED on the key is illuminated and the quick freezing function shall be activated. The freezer compartment temperature is set to -27 °C. Press the key again to cancel the function. The quick freezing function will be automatically cancelled after 24 hours. To

freeze a large amount of fresh food, press the quick freezing key before placing the food in the freezer compartment.

## 10. Key for Resetting Wireless Connection Settings +

To reset wireless connection settings, Quick freezing and Wireless connection keys should be pressed on

## 7.2 Storing Food in the Cooler Compartment

### Storing Food in the Cooler Compartment

- Compartment temperatures rise prominently if compartment door is opened and closed frequently and kept open for a long time, this can reduce the life span of the food and cause the food to spoil.
- In order not to cause odour and taste changes, the food should be stored in the closed containers.
- Do not store too much food in your refrigerator. To achieve a better and homogeneous cooling, place the food separately in a way that cold air can wander through them.
- Provide air flow by leaving a space between the food and internal wall. If you lean the food against the rear wall, the food may freeze.
- Bring cooked hot meals to the room temperature before placing them in the refrigerator. Then, you can place the tepid meal in the lower shelves of your refrigerator. Do not place the tepid meals close to the foods which may easily spoil.
- Defrost your frozen food in the fresh food compartment. Thereby, you can cool fresh food compartment by using frozen food and save energy.
- Storing unripe tropical fruits (mango, melon varieties, papaya, banana, pineapple) in the refrigerator may speed up the ripening process. This is not recommended because it will cause shorter storage time.
- You should store onions, garlands, gingers and other root vegetables in dark and cold room conditions, not in the refrigerator.
- If you notice that a food has spoiled in the refrigerator, throw away that food and clean the accessories which have come into contact with it.
- In order to cool the meals like soups and stews, which are cooked in the large pots, quickly, you can put them in the refrigerator by separating them into their own shallow containers.
- Do not place unpackaged food close to eggs.
- Keep the fruits and vegetables separately and store each variety together (for example; apples with apples, carrots with carrots)
- Take green vegetables out of the plastic bag and place them in the refrigerator after wrapping them in a paper towel or drying cloth. If you wash this type of food before placing them in the refrigerator, remember to dry them.
- You can both create a damp environment and provide an air flow by keeping fruits and vegetables, which are prone to drying, in the perforated or unsealed plastic bags.
- Except the cases where extreme circumstances are available in the environment, if your product (on the recommended set values table) is set to the specified set values, the food keep their freshness for a longer time both in the fresh product compartment and freezer compartment.

simultaneously for 3 seconds. All user information recorded previously are removed on the product where wireless connection settings are reset/restored to factory defaults.

Store Foods In The Different Places According To Their Properties:

Food	Location
Egg	Door Shelf
Dairy products (butter, cheese)	If available, zero degree (for breakfast food) compartment
Fruits, vegetables and greenery	Fruit-vegetable compartment, crisper or EverFresh+ compartment (if available)
Fresh meat, poultry, fish, sausage etc. Cooked foods	If available, zero degree (for breakfast food) compartment
Ready to serve foods, packaged products, canned foods and pickles	Top shelves or door shelf
Beverages, bottles, spices and snacks	Door Shelf

### Storing Food In The Freezer Compartment

- You can activate Quick Freezing function 4-6 hours before freezing function and perform a faster cooling.
- Bring hot meals to the room temperature before placing them in the freezer compartment.
- Foods to be frozen must be divided into portions according to a size to be consumed, and frozen in separate packages.
- It is recommended to pack the foods before placing them in the freezer.
- In order to prevent expiration of storage time, write the freezing date, time and name of the product on the package according to the storage times of different foods.
- Consume the foods you have defrosted quickly. Defrosted foods cannot be frozen again unless they are cooked. It is not safe to consume the refrozen fresh foods without cooking after they are defrosted.
- As you freeze fresh foods, do not bring them in contact with already frozen foods. Otherwise, frozen foods will be defrosted.

### Storing The Foods, Which Are Sold Frozen

- Always follow the instructions of the producer in relation to the time during which you are required to store your foods. Do not exceed the time specified in these instructions!
- In order to protect the quality of the food, keep the time interval between purchasing transaction and storing as short as possible.
- Buy frozen food which are stored at  $-18^{\circ}\text{C}$  or lower temperatures.
- Avoid buying foods whose packages are covered with ice etc. This means that the product could be partially defrosted and refrozen. Temperature impacts the quality of the food.
- Do not exceed the storing time recommended by the food producer. Remove only the food as much as you need from the freezer.
- Except the cases where extreme circumstances are available in the environment, if your product (on the recommended set values table) is set to the specified set values, the food keep their freshness for a longer time both in the fresh product compartment and freezer compartment.
- If fresh food compartment is set to a lower temperature, fresh fruits and vegetables may be partially frozen.

## Recommended Set Values Table

Freezer Compartment Setting	Fridge Compartment Setting	Remarks
-22 °C	4 °C	This is the default, recommended setting. This setting is recommended if ambient temperature is below 30 °C.
-20 °C	6 °C	This settings is recommended for ambient temperatures exceeding 25 °C.
Quick Freeze	4 °C	Use when you want to freeze your food in a short time. When the process is done, it will go back to its previous position.

### Quick Freezing

1. Activate the quick freezing function 24 hours before placing your fresh foods.
2. After 24 hours after pressing the button, place your food that you want to freeze on the second shelf with higher freezing capacity.
3. The quick freezing function will be automatically deactivated after 48 hours.

### Freezer Details

As per the IEC 62552 standards, the freezer must have the capacity to freeze 4.5 kg of food items at -18 °C or lower temperatures at 25 °C room temperature in 24 hours for each 100 litres of freezer compartment volume.

Food products can only be preserved for extended periods at or below temperature of -18 °C.

You can keep the foods fresh for months (in freezer at or below temperatures of -18 °C).

The food products to be frozen must not contact the already-frozen food inside to avoid partial defrosting.

Boil the vegetables and filter the water to extend the frozen storage time. Place the food in air-tight packages after filtering and place in the freezer. Bananas, tomatoes, lettuce, celery, boiled eggs, potatoes and similar food items should not be frozen. In case these foods are frozen, only nutritional values and eating qualities will be negatively affected. A rotting that would threaten human health is not in question.

### Placing The Food

**Freezer compartment shelves:** Different frozen foods like meat, fish, ice cream, vegetables etc.

**Cooler compartment shelves:** Food items inside pots, capped plate and capped cases, eggs (in closed case)

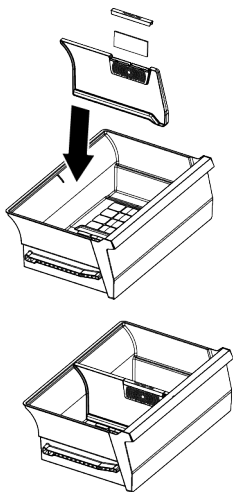
**Cooler compartment door shelves:** Small and packaged food or beverages

**Crisper:** Vegetables and fruits

**Fresh food compartment:** Delicatessen (breakfast food, meat products to be consumed in short time)

### 7.3 Crisper

The refrigerator's crisper is designed to keep vegetables fresh by preserving their humidity. For this purpose, the overall cold air circulation is intensified in the crisper. Keep fruits and vegetables in this compartment. Keep the green-leaved vegetables and fruits separately to prolong their life.



#### 7.4 Photocatalytic Module (Fresh-Guard)

Thanks to this module, which is positioned behind the evaporator cover in the fresh food compartment, the air is actively passed over the titanium dioxide-coated photocatalytic filter and the cleaned air is circulated inside. In this way, bad odours are removed from the interior of the refrigerator before becoming permeated with the food surfaces, and at the same time, a hygienic air circulation is achieved via disinfected air. This feature is driven by the fresh food compartment fan located behind the evaporator cover, the UV-A LED and the titanium dioxide-coated odour filter. To activate/deactivate this module, which provides hygiene and odour-free air circulation in the refrigerator; press and hold the button (P3) for 3 seconds and make sure that the function indicator (P) appears on the screen when it is active, and disappears from the screen when it is deactivated. Once the feature is activated as described, it works periodically without the need to press any key again. If the door of the fresh food compartment is opened while the module is active, the fan and UV-A LED will not operate temporarily, but will resume op-

eration once the door is closed. In case of a power outage while the module is running, the module will resume operation from the point it stopped once the power is restored.

**Note:** To prevent bad odours that may occur with the mixture of odours from different types of food, we recommend you to store aromatic food such as cheese, olives and delicatessen in their packaging and with their lids closed. For the safety of other food stored, hygienic storage conditions and to prevent bad odours, we recommend you to remove the food that you have observed to be spoilt from the refrigerator as soon as possible.

#### 7.5 Dairy Products Cold Storage Area

##### Cold Storage Drawer

The Cold Storage Drawer can reach lower temperatures in the cooler compartment. Use this drawer for delicatessen products (salami, sausage, etc.) and dairy products that require colder storage conditions, or for meat, chicken or fish to be consumed quickly. It is not suitable to store fruits and vegetables in this drawer.

#### 7.6 Reversing the Door Opening Side

The door opening side of your refrigerator can be reversed according to the place you put it. When you need this, you should definitely call the nearest Authorized Service.

#### 7.7 Door Open Alert

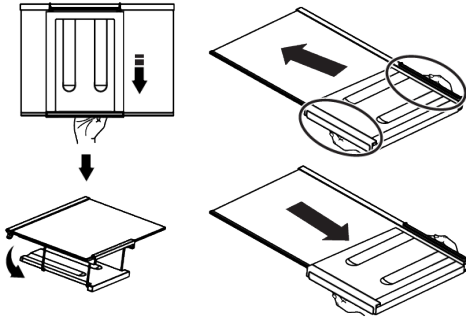
An audible alert will be heard if the product's door remains open for 1 minute. The audible alert will stop when you close the cabinet door or press any button on the display (if available).

#### 7.8 Foldable Wine Rack

It allows the user to store wine bottles if necessary. To use the rack section, grasp the plastic part and gently pull it down. You can now use the foldable wine rack.



It is recommended to store a maximum of 2 wine bottles on the foldable wine rack.



To group the wine rack, first remove the glass shelf from the refrigerator. Place it on the glass shelf by pushing the plastic part through the front and back grooves as shown in the picture. The product will be ready to use with the foldable wine rack. To remove the foldable wine rack, first remove the glass shelf from the refrigerator. Then grab the plastic part and pull it in any direction. You can now use the product without a foldable wine rack when needed.

## 7.9 Replacing the Illumination Lamp

Call the Authorized Service when the Bulb/LED used for lighting in your refrigerator will be replaced.

Lamp(s) used in this appliance cannot be used for house lighting. Intended use of this lamp is to help the user place food into the refrigerator / freezer safely and comfortably.

## 7.10 AeroFlow

It is an air distribution system that provides homogeneous temperature distribution. With the air circulation, the homogeneous temperature distribution is ensured in the fresh food storage compartment, and the temperature fluctuations are kept at low levels. No direct air blowing over the food is realized and this helps to reduce moisture loss. It preserves the freshness of the food stored in the fresh food compartment of the refrigerator. In this way, your food is stored at more stable temperatures and the contact with air is reduced. The drying and shrinking of foods by losing moisture is prevented and freshness is provided for a longer time.

## 8 Maintenance and Cleaning



### WARNING:

Read the "Safety Instructions" section first.



### WARNING:

Unplug the refrigerator before cleaning it.

- Do not use sharp or abrasive tools to clean the product. Do not use materials such as household cleaning agents, soap, detergents, gas, gasoline, thinner, alcohol, wax, etc.
- The dust shall be removed from the ventilation grill on the rear of the product at least once a year (without opening the cover). Clean the product with a dry cloth.
- Take care to keep water away from the lamp's cover and other electrical parts.
- Clean the door with a damp cloth. Remove all contents to remove the door and body panels. Remove the door racks by lifting them upwards. Clean and dry the shelves, then attach back in place by sliding from above.
- Do not use chlorinated water or cleaning products on the exterior surface and chrome-coated parts of the product. Chlorine will cause rust on such metallic surfaces.
- Do not use sharp and abrasive tools, soap, house cleaning materials, detergents, gas, gasoline, varnish and similar substances to prevent deformation of the

plastic part and removal of prints on the part. Use warm water and a soft cloth for cleaning, and then dry it.

- On the products without a No-Frost feature, water droplets and icing up to a thickness of a finger may occur on the rear wall of the freezer compartment. Do not clean, and never apply oils or similar materials.
- Use a mildly dampened micro-fibre cloth to clean the external surface of the product. Sponges and other types of cleaning clothes may cause scratches.
- To clean all removable components during the cleaning of the interior surface of the product, wash these components with a mild solution consisting of soap, water and carbonate. Wash and dry thoroughly. Prevent contact of water with illumination components and the control panel.



**CAUTION:**

Do not use vinegar, rubbing alcohol or other alcohol based cleaning agents on any interior surface.

## 9 Troubleshooting

Check this list before contacting the service. Doing so will save you time and money. This list includes frequent complaints that are not related to faulty workmanship or materials. Certain features mentioned herein may not apply to your product.

### The refrigerator is not working.

- The power plug is not fully settled. >>> Plug it in to settle completely into the socket.
- The fuse connected to the socket powering the product or the main fuse is blown. >>> Check the fuse.

### Stainless Steel External Surfaces

Use a non-abrasive stainless steel cleaning agent and apply it with a soft lint-free cloth. To polish, gently wipe the surface with a micro-fibre cloth dampened with water and use dry polishing chamois. Always follow the veins of the stainless steel.

### Preventing Odours

The product is manufactured free of any odorous materials. However, keeping the food in inappropriate sections and improper cleaning of internal surfaces may lead to odours.

- To avoid this, clean the inside with carbonated water every 15 days.
- Keep the foods in sealed holders, as micro-organisms arising from foods kept in unsealed containers will cause bad odour.
- Do not keep expired and spoiled foods in the refrigerator.

### Protecting Plastic Surfaces

Oil spilled on plastic surfaces may damage the surface and must be cleaned immediately with warm water.

### Condensation on the side wall of the cooler compartment (MULTI ZONE, COOL CONTROL and FLEXI ZONE).

- The door is opened too frequently. >>> Take care not to open the product's door too frequently.
- The environment is too humid. >>> Do not install the product in humid environments.
- Foods containing liquids are kept in unsealed holders. >>> Keep the foods containing liquids in sealed holders.
- The product's door is left open. >>> Do not keep the product's door open for long periods.
- The thermostat is set to a very cool temperature. >>> Set the thermostat to an appropriate temperature.

**Compressor is not working.**

- In case of sudden power failure or pulling the power plug off and putting back on, the gas pressure in the product's cooling system is not balanced, which triggers the compressor thermic safeguard. The product will restart after approximately 6 minutes. If the product does not restart after this period, contact the service.
- Defrosting is active. >>> This is normal for a fully-automatic defrosting product. The defrosting is carried out periodically.
- The product is not plugged in. >>> Make sure the power cord is plugged in.
- The temperature setting is incorrect. >>> Select the appropriate temperature setting.
- The power is out. >>> The product will continue to operate normally once the power is restored.

**The refrigerator's operating noise is increasing while in use.**

- The product's operating performance may vary depending on the ambient temperature variations. This is normal and not a malfunction.

**The refrigerator runs too often or for too long.**

- The new product may be larger than the previous one. Larger products will run for longer periods.
- The room temperature may be high. >>> The product will normally run for long periods in higher room temperature.
- The product may have been recently plugged in or a new food item is placed inside. >>> The product will take longer to reach the set temperature when recently plugged in or a new food item is placed inside. This is normal.
- Large quantities of hot food may have been recently placed into the product. >>> Do not place hot food into the product.

- The doors were opened frequently or kept open for long periods. >>> The warm air moving inside will cause the product to run longer. Do not open the doors too frequently.
- The freezer or cooler door may be ajar. >>> Check that the doors are fully closed.
- The product may be set to a temperature that is too low. >>> Set the temperature to a higher degree and wait for the product to reach the adjusted temperature.
- The cooler or freezer door washer may be dirty, worn out, broken or not properly settled. >>> Clean or replace the gasket. Damaged / torn door washer will cause the product to run for longer periods to preserve the current temperature.

**The freezer temperature is very low, but the cooler temperature is adequate.**

- The freezer compartment temperature is set to a very low degree. >>> Set the freezer compartment temperature to a higher degree and check again.

**The cooler temperature is very low, but the freezer temperature is adequate.**

- The cooler compartment temperature is set to a very low degree. >>> Set the cooler compartment temperature to a higher degree and check again.

**The food items kept in cooler compartment drawers are frozen.**

- The cooler compartment temperature is set to a very low degree. >>> Set the cooler compartment temperature to a higher degree and check again.

**The temperature in the cooler or the freezer is too high.**

- The cooler compartment temperature is set to a very high degree. >>> Temperature setting of the cooler compartment has an effect on the temperature in the freezer compartment. Wait until the temperature of relevant parts reach the sufficient level by changing the temperature of cooler or freezer compartments.



- The doors were opened frequently or kept open for long periods. >>> Do not open the doors too frequently.
- The door may be ajar. >>> Fully close the door.
- The product may have been recently plugged in or a new food item is placed inside. >>> This is normal. The product will take longer to reach the set temperature when recently plugged in or a new food item is placed inside.
- Large quantities of hot food may have been recently placed into the product. >>> Do not place hot food into the product.

#### **Shaking or noise.**

- The surface is not flat or durable >>> If the product is shaking when moved slowly, adjust the stands to balance the product. Also make sure the ground is sufficiently durable to bear the product.
- Any items placed on the product may cause noise. >>> Remove any items placed on the product.
- The product is making noise of liquid flowing, spraying etc.
- The product's operating principles involve liquid and gas flows. >>> This is normal and not a malfunction.

#### **There is sound of wind blowing coming from the product.**

- The product uses a fan for the cooling process. This is normal and not a malfunction.

#### **There is condensation on the product's internal walls.**

- Hot or humid weather will increase icing and condensation. This is normal and not a malfunction.
- The doors were opened frequently or kept open for long periods. >>> Do not open the doors too frequently; if open, close the door.
- The door may be ajar. >>> Fully close the door.

#### **There is condensation on the product's exterior or between the doors.**

- The ambient weather may be humid, this is quite normal in humid weather. >>> The condensation will dissipate when the humidity is reduced.

#### **The interior smells bad.**

- The product is not cleaned regularly. >>> Clean the interior regularly using sponge, warm water and carbonated water.
- Certain holders and packaging materials may cause odour. >>> Use holders and packaging materials without free of odour.
- The foods were placed in unsealed holders. >>> Keep the foods in sealed holders. Microorganisms may spread out of unsealed food items and cause bad odour.
- Remove any expired or spoiled foods from the product.

#### **The door is not closing.**

- Food packages may be blocking the door. >>> Relocate any items blocking the doors.
- The product is not standing in full upright position on the ground. >>> Adjust the stands to balance the product.
- The surface is not flat or durable >>> Make sure the surface is flat and sufficiently durable to bear the product.

#### **The crisper is jammed.**

- The food items may be in contact with the upper section of the drawer. >>> Reorganize the food items in the drawer.

#### **Temperature on the product surface.**

- High temperature may be observed between two doors, on the side panels and on the rear grill area while your product is operated. This is normal and it does not require servicing.

#### **Fan continues to operate when the door is opened.**

- Fan may continue to operate when the freezer door is open.



**WARNING:** If the problem persists after following the instructions in this section, contact your vendor or an Authorized Service. Do not try to repair the product. This is normal.

## DISCLAIMER / WARNING

Some (simple) failures can be adequately handled by the end-user without any safety issue or unsafe use arising, provided that they are carried out within the limits and in accordance with the following instructions (see the "Self-Repair" section).

Therefore, unless otherwise authorized in the "Self-Repair" section below, repairs shall be addressed to registered professional repairers in order to avoid safety issues. A registered Professional repairer is a professional repairer that has been granted access to the instructions and spare parts list of this product by the manufacturer according to the methods described in legislative acts pursuant to Directive 2009/125/EC.

**However, only the service agent (i.e. authorized professional repairers) that you can reach through the phone number given in the user manual/warranty card or through your authorized dealer may provide service under the guarantee terms. Therefore, please be advised that repairs by professional repairers (who are not authorized by) Beko shall void the guarantee.**

### Self-Repair

Self-repair can be done by the end-user with regard to the following spare parts: door handles, door hinges, trays, baskets and door gaskets (an updated list is also available support.beko.com as of 1st March 2021).

Moreover, to ensure product safety and to prevent risk of serious injury, the mentioned self-repair shall be done following the instructions in the user manual for selfrepair

or which are available in support.beko.com . For your safety, unplug the product before attempting any self-repair.

Repair and repair attempts by end-users for parts not included in such list and/or not following the instructions in the user manuals for self-repair or which are available in support.beko.com, might give raise to safety issues not attributable to Beko, and will void the warranty of the product.

Therefore, it is highly recommended that end-users refrain from the attempt to carry out repairs falling outside the mentioned list of spare parts, contacting in such cases authorized professional repairers or registered professional repairers. On the contrary, such attempts by end-users may cause safety issues and damage the product and subsequently cause fire, flood, electrocution and serious personal injury to occur.

By way of example, but not limited to, the following repairs must be addressed to authorized professional repairers or registered professional repairers: compressor, cooling circuit, main board, inverter board, display board, etc.

The manufacturer/seller cannot be held liable in any case where end-users do not comply with the above.

The spare part availability of the refrigerator that you purchased is 10 years. During this period, original spare parts will be available to operate the refrigerator properly

The minimum duration of guarantee of the refrigerator that you purchased is 24 months.

This product is equipped with a lighting source of the "G" energy class.

The lighting source in this product shall only be replaced by Professional repairer.

See also

2 DISCLAIMER / WARNING [; 27]

---

## Primeiro deve ler este manual!

**Caro Cliente,**

**Deve ler este manual antes de utilizar o produto.**

Agradecemos ter escolhido este produto Beko . Gostaria de obter uma eficiência ótima deste produto de alta qualidade que foi fabricado com a tecnologia mais moderna. Para o fazer, deve ler cuidadosamente este manual e qualquer outra documentação fornecida antes de utilizar o produto e manter a mesma como uma referência.

Deve prestar atenção a toda a informação e todas as advertências no manual do utilizador. Desta forma, irá proteger-se a si mesmo e ao seu produto contra os perigos que podem ocorrer.

Guardar o manual do utilizador. Deve incluir este manual com a unidade caso o produto seja cedido a outra pessoa.

**São usados os símbolos seguintes no manual do utilizador:**



Risco que pode resultar em morte ou lesões.



Informações importantes ou dicas úteis sobre o funcionamento.








Ler o manual do utilizador.



Material combustível, advertência contra risco de incêndio.

**OBSERVAÇÃO** Um risco que pode causar danos materiais ao produto ou ao seu redor

 <b>ENERG</b>  	A informação do modelo tal como está guardada na base de dados do produto pode ser acedida entrando no seguinte sítio web e procurando o seu identificador de modelo (*) encontrado na etiqueta energética. <a href="https://eprel.ec.europa.eu/">https://eprel.ec.europa.eu/</a>
<b>SUPPLIER'S NAME</b> <b>MODEL IDENTIFIER</b> → (*)  	

<b>1</b>	<b>Instruções de segurança .....</b>	<b>30</b>
1.1	Uso a que se destina .....	30
1.2	Segurança de crianças, pessoas vulneráveis e animais de estimação .....	30
1.3	Segurança elétrica.....	31
1.4	Segurança de manuseamento .....	32
1.5	Segurança da instalação .....	32
1.6	Segurança de funcionamento .....	34
1.7	Segurança de armazenamento dos alimentos .....	36
1.8	Segurança da manutenção e limpeza.....	37
<b>2</b>	<b>Instruções ambientais .....</b>	<b>38</b>
2.1	Em conformidade com a Diretiva REEE e Eliminação de Resíduos:..	38
<b>3</b>	<b>O seu Frigorífico .....</b>	<b>39</b>
<b>4</b>	<b>Instalação .....</b>	<b>39</b>
4.1	Lugar correto para a instalação ...	39
4.2	Ligação elétrica .....	40
4.3	Fixar as cunhas de plástico .....	40
4.4	Ajustar os pés.....	41
4.5	Advertência de superfície quente.	41
<b>5</b>	<b>Preparação .....</b>	<b>41</b>
5.1	O que fazer para poupar energia..	41
5.2	Primeira utilização .....	42
5.3	Classe climática e definições.....	42
<b>6</b>	<b>Funcionar com o produto .....</b>	<b>42</b>
<b>7</b>	<b>Uso do seu aparelho .....</b>	<b>43</b>
7.1	Painel de controlo de produto .....	43
7.2	Guardar alimentos no Compartimento de refrigeração...	45
7.3	Gaveta para frescos .....	48
7.4	Módulo Fotocatalítico (FreshGuard).....	48
7.5	Zona de armazenamento de produtos láteos frios .....	49
7.6	Inverter o lado de abertura da porta .....	49
7.7	Alerta de porta aberta .....	49
7.8	Prateleira dobrável para vinhos....	49
7.9	Substituição da lâmpada Iluminação .....	49

7.10	AeroFlow .....	49
<b>8</b>	<b>Manutenção e limpeza.....</b>	<b>50</b>
<b>9</b>	<b>Resolução de problemas.....</b>	<b>51</b>

## 1 Instruções de segurança

---

Esta secção inclui as instruções de segurança necessárias para prevenir risco de lesões e danos materiais.

A nossa empresa não será considerada responsável por danos que possam ocorrer caso estas instruções não sejam seguidas.

A instalação e reparação devem ser sempre realizadas por Assistência Autorizada.

Utilizar apenas peças de substituição e acessórios originais.

As peças de substituição serão fornecidas durante 10 anos após a data de compra do produto.

Não reparar ou substituir qualquer componente do produto exceto se especificamente mencionado no manual do utilizador.

Não realizar quaisquer modificações no produto.

### 1.1 Uso a que se destina

Este produto não é adequado para uso comercial e não deve ser usado exceto para o fim a que se destina. Estes produtos é

destinado a ser usado no interior, em habitações e espaços similares.

Por exemplo:

- Nas cozinhas do pessoal de estabelecimentos comerciais e outros ambientes de trabalho,
- Em casa rurais,
- Em unidades hoteleiras, motéis ou outras instalações de lazer que são utilizadas por clientes,
- Em hostels e alojamentos similares,
- Em serviços de restauração e grossistas similares.

Este produto não deve ser usado em ambientes exteriores fechados ou abertos como navios, varandas ou terraços. Expor o produto à chuva, neve, sol e vento pode causar perigo elétrico.

### 1.2 Segurança de crianças, pessoas vulneráveis e animais de estimação

- Este produto pode ser usado por crianças a partir de 8 anos e mais e por pessoas com capacidades físicas, sensoriais ou mentais

reduzidas ou com falta de experiência e conhecimento se lhes tiver sido dada a supervisão ou tiver sido dada instrução relativamente ao uso do produto de uma forma segura e entender os riscos envolvidos.

- Crianças entre 3 e 8 anos podem colocar e retirar alimentos de/para do frigorífico.
- Os produtos elétricos são perigosos para as crianças e para os animais domésticos. As crianças e os animais de estimação não podem brincar, trepar ou entrar dentro do produto.
- A limpeza e manutenção do utilizador não deve ser feita por crianças a menos que sejam supervisionadas.
- Manter o material de embalagem afastado do alcance das crianças. Risco de lesão ou asfixia

Antes de eliminar os produtos antigos que já não devem ser usados:

1. Desligar o cabo de alimentação da tomada elétrica.
2. Cortar o cabo de alimentação e remover o mesmo do aparelho em conjunto com a ficha.

3. Não remover as prateleiras e as gavetas do produto de modo a impedir que as crianças entrem para dentro do mesmo.
  4. Remover as portas.
  5. Armazenar o produto de modo que não possa ser tombado.
  6. Não permitir que as crianças brinquem com o produto desmontado.
- Não eliminar o produto colocando-o no fogo. Risco de explosão.
  - Se existir algum fecho na porta do produto, deve manter a chave longe do alcance das crianças.



### 1.3 Segurança elétrica

- O produto não deve ser ligado à tomada durante as operações de instalação, manutenção, limpeza, reparação e transporte.
- Se o cabo de alimentação estiver danificado, deve ser substituído pela assistência autorizada apenas para evitar qualquer risco que possa ocorrer.
- Não dobrar o cabo de alimentação por baixo do produto ou na parte de trás do produto. Não colocar objetos pesados em cima do cabo de

alimentação. O cabo de alimentação não pode ser dobrado, esmagado ou entrar em contacto com qualquer fonte de calor.

- Não usar um cabo de extensão, uma extensão múltipla ou um adaptador para operar com o seu produto.
- As tomadas múltiplas portáteis ou as fontes de alimentação portáteis podem sobreaquecer ou provocar um incêndio. Portanto, não colocar uma extensão múltipla atrás ou junto ao produto.
- A ficha deve estar facilmente acessível. Se isso não for possível, deve estar disponível na instalação elétrica um mecanismo que esteja em conformidade com a legislação e que desligue todos os terminais da corrente elétrica (fusível, disjuntor, disjuntor geral, etc.).
- Não tocar na ficha com as mãos molhadas.
- Quando desligar o aparelho, não segurar no cabo de alimentação, mas na ficha.



#### **1.4 Segurança de manuseamento**

- Este produto é pesado, não o deve manusear sozinho.

- Quando estiver a manusear o produto, não o segurar pela porta.
- Ter o cuidado de não danificar o sistema de refrigeração e as tubagens quando estiver a manusear o produto. Não operar o produto se a tubagem estiver danificada e deve contactar a assistência autorizada.



#### **1.5 Segurança da instalação**

- Contactar a Assistência Autorizada para a instalação do produto. Para preparar o produto para a instalação, consultar a informação no manual do utilizador e assegurar que as ligações elétricas e da água estão conforme é exigido. Se não, contactar um electricista e um canalizador para fazer as adequações necessárias. O incumprimento do referido pode resultar em choque elétrico, incêndio, problemas com o produto ou lesões.
- Verificar se há algum dano no produto antes de o instalar. Não instalar o produto se estiver danificado.



- Colocar o produto numa superfície nivelada e rija e equilibrar o mesmo com os pés ajustáveis. Caso contrário, o frigorífico pode-se tombar e provocar lesões.
- O produto deve ser instalado num espaço seco e ventilado. Não manter carpetes, tapetes ou revestimentos similares do pavimento por baixo do produto. Isso pode provocar um incêndio em consequência de uma ventilação não adequada!
- Não bloquear os orifícios de ventilação. Caso contrário, o consumo de energia pode aumentar e podem ocorrer danos no seu produto.
- O produto não deve ser ligado a sistemas de alimentação como o fornecimento de energia solar. Caso contrário, o produto pode ficar danificado devido a alterações repentinas de tensão!
- Quanto mais refrigerante um frigorífico tiver, maior deverá ser o espaço para a instalação. Em espaços muito pequenos, pode ocorrer uma mistura de gás-ar inflamável no caso de uma fuga de gás no sistema de refrigeração. É necessário pelo menos 1 m<sup>3</sup> de volume por cada 8 gramas de refrigerante. A quantidade de refrigerante disponível no seu produto é especificada na Etiqueta de Classificação.
- O local de instalação do produto não deve estar exposto à luz solar direta e não deve estar junto de uma fonte de calor como fogões, radiadores, etc. Se não puder evitar a instalação do produto junto de uma fonte de calor, deve usar uma placa de isolamento adequada e a distância mínima da fonte de calor deve ser como abaixo especificada.
  - Pelo menos 30 cm afastada de fontes de calor como fogões, equipamentos de aquecimento e aquecedores, etc.
  - E pelo menos 5 cm afastada de fornos elétricos.
- O seu produto tem a classe de proteção de I.
- Ligar o produto numa tomada com ligação terra que esteja de acordo com os valores de tensão, corrente e frequência especificados na etiqueta de classificação. A tomada deve ter um fusível de 10A - 16A. A nossa empresa não assumirá responsabilidade por quaisquer danos devido à utilização sem ligação da

alimentação elétrica e à terra em conformidade com os regulamentos locais e nacionais.

- O cabo de alimentação do produto deve ser desligado durante a instalação. Caso contrário, pode ocorrer risco de choque elétrico e de danos!
- Não ligar o produto a tomadas soltas, partidas, sujas, com gordura ou a tomadas que estejam fora do lugar ou tomadas com risco de contacto com água.
- Colocar o cabo de alimentação e as mangueiras (se existirem) do produto de modo a não provocarem um risco de queda.
- A penetração da humidade nas partes condutoras ou no cabo de alimentação podem provocar um curto-circuito. Portanto, não usar o produto em espaços húmidos ou em áreas onde a água pode salpicar (por ex. garagem, lavandaria, etc.). Se o frigorífico ficar molhado com água, desligar o mesmo e contactar a assistência autorizada.

- Não ligar o seu frigorífico a dispositivos de poupança de energia. Estes sistemas são nocivos para o produto.



## **1.6 Segurança de funcionamento**

- Não usar solventes químicos no produto. Estes materiais implicam um risco de explosão.
- No caso de uma falha do produto, desligar e não operar com o mesmo até que seja reparado pela assistência autorizada. Existe risco de choque elétrico!
- Não colocar uma fonte de chama (por ex. velas, cigarros, etc.) sobre o produto ou próximo do mesmo.
- Não entrar dentro do produto. Risco de queda e de lesões!
- Não provocar danos nas tubagens do sistema de refrigeração quando usar ferramentas afiadas e de perfuração. O refrigerante que é pulverizado no caso de perfuração das tubagens de gás, as extensões das tubagens ou os revestimentos da superfície superior e pode provocar irritação da pele e lesões nos olhos.

- Não colocar e nem operar com aparelhos elétricos dentro dos frigoríficos/congelador exceto se recomendado pelo fabricante.
- Não prender qualquer parte das suas mãos ou corpo em alguma das partes móveis dentro do produto. Ter cuidado para evitar prender os seus dedos entre o frigorífico e a porta respetiva. Ter cuidado quando estiver a abrir ou a fechar a porta se estiver crianças por perto.
- Não colocar gelados, cubos de gelo ou alimentos congelados na boca assim que os retirar do congelador. Risco de queimadura pelo frio!
- Não tocar nas paredes interiores, nas peças metálicas do congelador ou nos alimentos mantidos dentro do congelador com as mãos molhadas. Risco de queimadura pelo frio!
- Não colocar latas e garrafas de refrigerante que contenham líquidos que possam congelar no compartimento do congelador. As garrafas ou as latas podem explodir. Risco de lesões e de danos no material!
- Não usar ou colocar quaisquer substâncias sensíveis à temperatura tais como pulverizadores inflamáveis, objetos inflamáveis, gelo seco, medicamentos ou produtos químicos próximo ou dentro do frigorífico. Risco de incêndio e explosão!
- Não guardar dentro do produto substâncias explosivas como latas de spray com materiais inflamáveis.
- Não colocar latas contendo líquidos sobre o produto. Os salpicos de água sobre uma peça elétrica podem provocar risco de um choque elétrico ou um incêndio.
- Este produto não se destina ao armazenamento e refrigeração de medicamentos, plasma de sangue, preparações laboratoriais ou materiais similares e produtos que estejam sujeitos à Diretiva de Produtos Médicos.
- Se o produto for usado fora do fim a que se destina, isso pode provocar ou deteriorar os produtos mantidos no interior.
- Se o seu frigorífico estiver equipado com luz azul, não olhar para esta luz com dispositivos óticos. Não olhar diretamente para a luz LED UV durante um longo período de tempo. Os raios ultravioleta podem provocar cansaço ocular.

- Não encher o produto com mais alimentos do que o previsto na respetiva capacidade. Podem ocorrer lesões ou danos se o conteúdo do frigorífico cair quando a porta for aberta. Podem ocorrer problemas similares quando um objeto é colocado sobre o produto.
- Assegurar que removeu qualquer gelo ou água que possa ter caído no chão para evitar lesões.
- Mudar as localizações das prateleiras/prateleiras de garrafas na porta do seu frigorífico somente enquanto as prateleiras estiverem vazias. Perigo de lesões!
- Não colocar objetos que possam cair/tombar sobre o produto. Estes objetos podem cair quando estiver a abrir ou a fechar a porta e provocar lesões e/ou danos no material.
- Não pressionar ou exercer pressão excessiva nas superfícies de vidro. O vidro partido pode provocar lesões e/ou danos materiais.
- O sistema de refrigeração no seu produto contém refrigerante R600a. O tipo de refrigerante usado no produto é especificado na etiqueta do tipo. O gás é inflamável. Portanto, deve ter o cuidado de não danificar o sistema de refrigeração e as tubagens quando estiver a manusear o produto. No caso de danos nas tubagens;
  1. Não tocar o produto ou o cabo de alimentação.
  2. Manter o produto afastado de fontes potenciais de incêndio que possam provocar a ignição do produto.
  3. Ventilar o espaço onde o produto é colocado. Não usar uma ventoinha.
  4. Contactar o serviço autorizado.
  5. Se o produto estiver danificado e observar uma fuga de gás, deve manter-se afastado do gás. O gás pode provocar queimadura de frio se entrar em contacto com a pele.

### 1.7 **Segurança de armazenamento dos alimentos**

Deve prestar atenção às seguintes advertências para evitar que os alimentos se estraguem:

- Deixar as portas abertas durante um longo período de tempo pode provocar uma subida da temperatura dentro do produto.
- Limpar regularmente os sistemas de escoamento acessíveis que estão em contacto com os alimentos.
- Limpar os reservatórios de água que não forem usados durante 48 horas e os sistemas principais de alimentação de água que não forem usados durante mais de 5 dias.
- Armazenar a carne crua e o peixe nos compartimentos apropriados dentro do produto. De modo a que não pingue ou entre em contacto com os outros alimentos.
- Os compartimentos do congelador de duas estrelas são usados para armazenar alimentos pré-recheados, fazer e armazenar gelo e gelado.
- Os compartimentos de uma, duas e três estrelas não são apropriados para congelar alimentos frescos.
- Se o produto de refrigeração tiver sido deixado vazio durante um longo período de tempo, desligar o produto,

descongelar, limpar e secar o produto de modo a proteger a estrutura do mesmo.

## 1.8 Segurança da manutenção e limpeza

- Não puxar pelo manípulo da porta se pretender deslocar o produto para efeitos de limpeza. O manípulo pode provocar lesões se for puxado com demasiada força.
- Não limpar o produto pulverizando ou despejando água sobre o produto e dentro do produto. Risco de choque elétrico e incêndio.
- Quando limpar o produto, não usar ferramentas afiadas e abrasivas ou soluções de limpeza doméstica, detergente, gás, gasolina, diluente, álcool, verniz e substâncias similares. Usar apenas soluções de limpeza e de manutenção que não sejam nocivas para os alimentos que estão dentro do produto.
- Nunca usar vapor ou materiais de limpeza a vapor para limpar o produto e descongelar o gelo dentro do mesmo. O vapor entra em contacto com as

áreas condutoras no seu frigorífico e provoca curto-circuito ou choque elétrico.

- Deve ter cuidado para manter água afastada dos circuitos eletrónicos ou da iluminação do produto.
- Usar um pano limpo e seco para limpar o pó ou materiais estranhos nos terminais ou

nas fichas. Não usar um pano molhado ou húmido quando estiver a limpar a ficha. Caso contrário, pode ocorrer risco de incêndio ou de choque elétrico.

## 2 Instruções ambientais

### 2.1 Em conformidade com a Diretiva REEE e Eliminação de Resíduos:



Este produto está em conformidade com a Diretiva UE REEE (2012/19/UE). Este produto possui um símbolo de classificação para resíduos de equipamento elétrico e

eletrónico (REEE).

Este símbolo indica que este produto não deve ser eliminado com outros resíduos domésticos no fim da vida útil. O dispositivo usado deve ser entregue num ponto de recolha oficial para reciclagem de dispositivos elétricos e eletrónicos. Para encontrar estes sistemas de recolha deve contactar as autoridades locais ou o revendedor onde o produto foi adquirido. Cada família desempenha um papel importante na recuperação e reciclagem de equipamentos usados. A eliminação

adequada de aparelhos usados ajuda a evitar possíveis consequências negativas para o meio ambiente e a saúde humana.

### Em conformidade com a Diretiva RSP

O produto que comprou cumpre com a Diretiva RoHS UE (2011/65/UE). Não contém materiais nocivos e proibidos especificados na Diretiva.

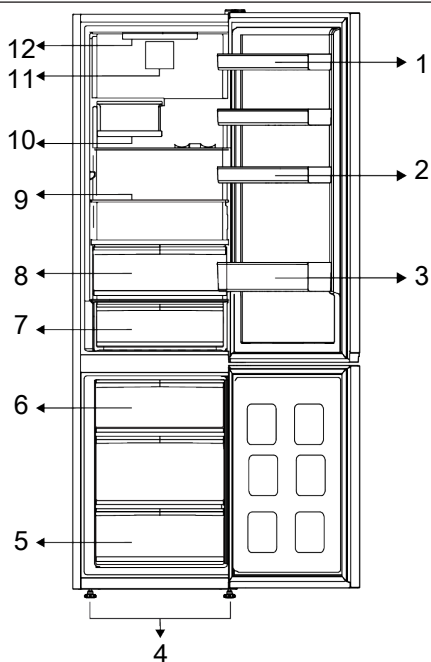


#### Informação da embalagem

Os materiais de embalagem do produto são fabricados com materiais recicláveis de acordo com os nossos Regulamentos Ambientais Nacionais. Não eliminar os materiais de embalagem, em conjunto com os resíduos domésticos ou outros. Colocá-los nos pontos de recolha de material de embalagem designados pelas autoridades locais.

### 3 O seu Frigorífico

PT



- |                                     |                                     |
|-------------------------------------|-------------------------------------|
| 1 * Prateleiras da porta ajustáveis | 2 * Suporte para ovos               |
| 3 * Prateleira para garrafas        | 4 * Pés frontais ajustáveis         |
| 5 * Compartimento do congelador     | 6 * Recipiente de gelo              |
| 7 * Gaveta de armazenamento a frio  | 8 * Gaveta para frescos             |
| 9 * Prateleiras ajustáveis          | 10 * Recipiente dobrável para vinho |
| 11 * Ventilador                     | 12 * Lâmpada de iluminação          |

**\*Opcional:** As imagens neste manual do utilizador são esquemáticas e podem não coincidir com o seu produto. Se o seu produto não incluir peças relevantes, a informação diz respeito a outros modelos.

### 4 Instalação



Ler primeiro a secção "Instruções de segurança"!

#### 4.1 Lugar correto para a instalação

Contactar a Assistência Autorizada para a instalação do produto. Para preparar o produto para a instalação, consultar a

informação no manual do utilizador e assegurar que as ligações elétricas e da água estão conforme é exigido. Se não, contactar um electricista e um canalizador para fazer as adequações necessárias.

**ADVERTÊNCIA:**

O fabricante não assume qualquer responsabilidade por quaisquer danos causados por trabalho realizado por pessoas não autorizadas.

**ADVERTÊNCIA:**

O cabo de alimentação do produto deve ser desligado durante a instalação. Não o fazer pode resultar em morte ou lesões graves!

**ADVERTÊNCIA:**

Se o vão da porta for muito estreito para o produto passar, retirar a porta e voltar o produto de lado; se isso não resultar, contactar a assistência autorizada.

- Colocar o produto numa superfície plana para evitar vibração.
- Colocar o produto afastado pelo menos 30 cm de aquecedor, fogão e fontes de calor similares e pelo menos a 5 cm de fornos elétricos.
- Não expor o produto a luz solar direta ou manter o mesmo em ambientes húmidos.
- Este produto exige circulação de ar adequada para funcionar eficientemente. Se o produto for colocado num nicho, devem ser deixados pelo menos 5 cm de espaço entre o produto e o teto, as paredes traseiras e laterais.
- Verificar se o componente de proteção de espaço da parede traseira está presente na sua localização (se fornecido com o produto).
- Se o componente não estiver disponível, ou se se perder ou cair, posicionar o produto de forma a deixar pelo menos 5 cm de espaço entre o produto e as paredes da divisão. O espaço na parte traseira é importante para o funcionamento eficiente do produto.

## 4.2 Ligação elétrica



Não usar extensões ou tomadas múltiplas na ligação elétrica.



Cabo de alimentação danificado deve ser substituído pela assistência autorizada.



Ao colocar dois frigoríficos em posição adjacente, deixe pelo menos 4 cm de distância entre as duas unidades.

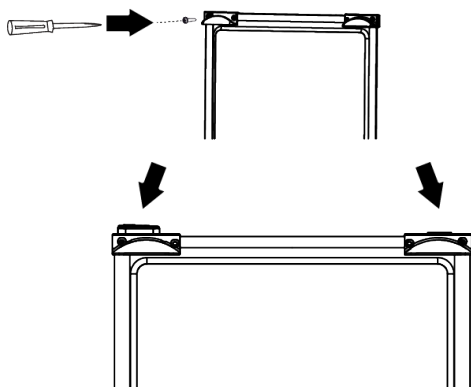
- A nossa empresa não assumirá responsabilidade por quaisquer danos devido à utilização sem ligação da alimentação elétrica e à terra em conformidade com os regulamentos nacionais.
- A ficha do cabo de alimentação deve ser facilmente acessível após a instalação.
- Não usar fichas múltiplas com ou sem cabo de extensão entre a tomada de parede e o frigorífico.

## 4.3 Fixar as cunhas de plástico

Usar as cunhas de plástico fornecidas com o produto para manter o espaço suficiente para a circulação do ar entre o produto e a parede.

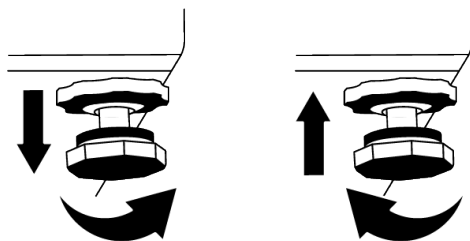
1. Para fixar as cunhas, retirar os parafusos do produto e usar os parafusos fornecidos com as cunhas.
2. Fixar 2 cunhas de plástico na tampa de ventilação, conforme mostrado na figura.





#### 4.4 Ajustar os pés

Se o produto não estiver em posição equilibrada, ajustar os pés frontais ajustáveis rodando-os para a direita ou esquerda.



PT

#### 4.5 Advertência de superfície quente

As paredes laterais do produto encontram-se equipadas com tubos de refrigeração para melhorar o sistema de arrefecimento. O fluido de alta pressão pode fluir através destas superfícies e provocar superfícies quentes nas paredes laterais. Isto é normal e não exige assistência. Deve ter cuidado quando contactar estas zonas.

## 5 Preparação



Ler primeiro a secção "Instruções de segurança"!

### 5.1 O que fazer para poupar energia



Ligar o produto a sistemas eletrónicos de poupança de energia é prejudicial, pois pode danificar o produto.

- Este aparelho de refrigeração não é destinado a ser usado como aparelho de encastrar.
- Não manter as portas do frigorífico abertas durante longos períodos.
- Não colocar alimentos ou bebidas quentes no frigorífico.
- Não encher demasiado o frigorífico; bloquear o fluxo de ar interior reduzirá a capacidade de arrefecimento.
- De modo a carregar a quantidade máxima de alimentos no compartimento do congelador do seu frigorífico, as gavetas superiores devem ser retiradas e os alimentos devem ser colocados nas prateleiras de vidro/metálicas. A informação do volume líquido e do consumo de energia declarada na etiqueta energética do seu frigorífico foi testada retirando as gavetas superiores no departamento do frigorífico e no recipiente para o gelo, que é facilmente retirado manualmente.
- É fortemente recomendado usar a gaveta por baixo quando estiver a armazenar alimentos.
- Dependendo das características do produto; descongelar alimentos congelados no compartimento de refrigeração vai garantir poupança de energia e preservar a qualidade dos alimentos.
- Assegurar que os alimentos não ficam em contacto com o sensor de temperatura do compartimento de refrigeração descrito abaixo.
- Os alimentos devem ser armazenados nas gavetas do compartimento de refrigeração, de forma a garantir a poupança de energia e proteger os alimentos em melhores condições.

- As embalagens de alimentos não devem estar em contacto direto com o sensor de temperatura localizado no compartimento do congelador.
- Se estiverem em contacto com o sensor, o consumo de energia do aparelho pode aumentar.

## 5.2 Primeira utilização

Antes de utilizar o seu frigorífico, assegurar que os preparativos necessários são feitos de acordo com as instruções em "Instruções de segurança e meio ambiente" e as secções da "Instalação".

- Manter o produto a funcionar sem colocar quaisquer alimentos durante 6 horas e não abrir a porta, a menos que seja absolutamente necessário.
- A alteração da temperatura provocada pela abertura e fecho da porta enquanto estiver a usar o produto pode normalmente levar à formação de condensação nas prateleiras da porta/interiores e nos utensílios de vidro colocados no produto.



Será ouvido um som quando o compressor for acionado. É normal para o produto fazer ruído mesmo de o compressor não estiver a funcionar, dado poder existir fluido e gás comprimido no sistema de refrigeração.



É normal que as arestas da frente do frigorífico fiquem quentes. Estas áreas são concebidas para aquecer para impedir a condensação.



Em alguns modelos, o painel indicador desliga automaticamente 1 minuto depois de a porta fechar. Será reativado quando a porta for aberta ou qualquer botão for premido.

## 5.3 Classe climática e definições

Consultar a Classe Climática na placa de classificação do seu aparelho. Uma das informações seguintes é aplicável ao seu aparelho de acordo com a Classe Climática.

- **SN:** Clima temperado longa duração: Este dispositivo foi concebido para usado a temperatura ambiente entre 10 °C e 32°C.
- **N:** Clima temperado: Este dispositivo foi concebido para ser usado a temperatura ambiente entre 16 °C e 32°C.
- **ST:** Clima subtropical: Este dispositivo foi concebido para usado a temperatura ambiente entre 16 °C e 38°C.
- **T:** Clima tropical: Este dispositivo foi concebido para usado a temperatura ambiente entre 16 °C e 43°C.

## 6 Funcionar com o produto



Ler primeiro a secção "Instruções de segurança"!

- Não usar nenhuma ferramenta mecânica ou qualquer outra ferramenta diferente das recomendações do fabricante para acelerar a operação de descongelamento.
- Não usar peças do frigorífico, tais como a porta ou gavetas, como apoio ou degrau. Isto pode fazer com que o produto tombe ou que os componentes fiquem danificados.

- O produto deve ser usado apenas para armazenar alimentos.
- Fechar a válvula de água se for ficar longe de casa (por ex., nas férias) e não for usar o Icematic ou o dispensador de água durante um longo período de tempo. Caso contrário, podem ocorrer fugas de água.

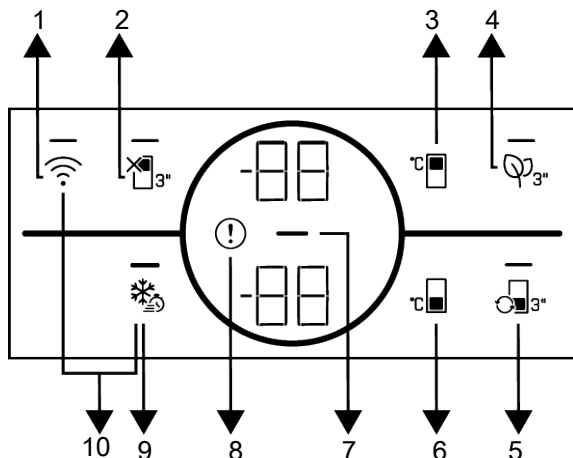
### Pausar o programa

- Se não for utilizar o produto durante um longo período de tempo, deve desligar o mesmo da tomada.


- Remover os alimentos para evitar odores.
- Aguardar que o gelo derreta, limpar o interior e deixar que o mesmo seque, deixar as portas abertas para evitar danos nos plástico da estrutura interior.

## 7 Uso do seu aparelho

### 7.1 Painel de controlo de produto



- |  |  |
|--|--|
| 1 * Tecla sem fios   | 2 * Função do compartimento de refrigeração DESLIGADO (Férias)       |
| 3 * Tecla de definição de temperatura do compartimento de refrigeração | 4 * Tecla do módulo desodorizante                                    |
| 5 * Tecla de conversão do compartimento                                | 6 * Tecla de definição de temperatura do compartimento do congelador |
| 7 * Indicador de poupança de energia (visor desligado)                 | 8 * Indicador do estado do erro                                      |
| 9 * Tecla congelação rápida  | 10 * Tecla para repor definições da ligação sem fios                 |

 Ler primeiro a secção "Instruções de segurança".

As funções sonoras e visuais no painel indicador ajudarão a usar o frigorífico.

**\*Opcional:** As funções mostradas são opcionais, podem existir diferenças de forma e localização nas funções encontradas no painel indicador do seu aparelho.

#### 1. Tecla sem fios

Esta tecla é usada para fazer uma ligação sem fios com o seu produto através da aplicação móvel

HomeWhiz. Quando a tecla for premida durante 3 segundos, o símbolo de ligação sem fios no visor/ecrã pisca lentamente (com intervalos de 0,5 segundos). A rede doméstica é inicializada no produto desta forma. Depois de obter uma ligação sem fios com o produto, o símbolo de ligação sem fios acende continuamente, pode

ativar/desativar a ligação premindo levemente esta tecla. O ícone de ligação sem fios fica a piscar (com o intervalo de 0,2 segundos) até que a ligação seja estabelecida. Quando a ligação estiver ativa, o LED manter-se-á aceso. Se a ligação não puder ser estabelecida durante um longo período, verificar as suas definições de ligação e consultar a secção "Resolução de problemas", previsto no manual do utilizador. A aplicação HomeWizz será usada para a ligação sem fios. Os passos para a configuração são explicados ao longo da aplicação durante a configuração. Pode aceder à aplicação fazendo a leitura do código QR na etiqueta HomeWhiz no aparelho. A aplicação pode ser obtida a partir da App Store para os dispositivos Android. Para detalhes visite <https://www.homewhiz.com/> address.

## 2. Tecla de função desligar compartimento de refrigeração (Férias)



Premir a tecla durante 3 segundos para ativar a função férias. O modo férias é ativado e o LED na tecla acende-se. Será exibido "-.-" no indicador de temperatura do compartimento refrigerador e o compartimento refrigerador não executa ativamente o arrefecimento. Não deve manter os alimentos no compartimento de refrigeração quando esta função for ativada. Os outros compartimentos continuam a arrefecer de acordo com a temperatura definida anteriormente. Premir e manter premida a tecla novamente durante 3 segundos para cancelar esta função.

## 3. Tecla de definição de temperatura do compartimento de refrigeração



Permite definição de temperatura para o compartimento de refrigeração. Premir a tecla irá ativar a temperatura do compartimento de refrigeração para ser definida em 8 °C, 7 °C, 6 °C, 5 °C, 4 °C, 3 °C, 2 °C e 1 °C.

## 4. Tecla do módulo desodorizante



Premir esta tecla durante 3 segundos para ativar/desativar a funcionalidade desodorizante. À medida que a funcionalidade desodorizante odor fica ativa, o LED na tecla respetiva fica aceso. Quando a função está ativa, o módulo desodorizante será operado periodicamente.

## 5. Tecla de conversão do

### compartimento



Ao premir a tecla de conversão do compartimento durante 3 segundos, a secção do congelador alterna entre os modos do refrigerador, desligado e congelador. Se for operado como o compartimento de refrigeração, a temperatura do compartimento será definida como 4 °C. No caso do modo desligado, o indicador de temperatura do compartimento deverá exibir "-.-".

## 6. Tecla de definição de temperatura do

### compartimento do congelador



A definição de temperatura é feita para o compartimento do congelador. Premir a tecla irá ativar a temperatura do compartimento do congelador para ser definido em -18 °C, -19 °C, -20 °C, -21 °C, -22 °C, -23 °C, -24 e °C.

## 7. Indicador de poupança de energia (visor desligado)

A função de poupança de energia é ativada automaticamente e o símbolo de poupança de energia acende quando a porta do produto não for aberta ou fechada durante algum período de tempo. Quando a função de poupança de energia for ativada, todos os símbolos no visor, exceto o símbolo de poupança de energia, apagar-se-ão. Quando a função de poupança de energia for ativada, ao premir qualquer tecla ou abrir a porta desativará a função de poupança de energia e os sinais do visor

voltarão ao normal. A função de poupança de energia é uma função ativada de fábrica e não pode ser cancelada.

### 8. Indicador do Estado do Erro

Este indicador deve estar ativo quando o seu frigorífico não puder realizar a refrigeração adequada no caso de algum erro no sensor. No indicador da temperatura no compartimento do congelador a letra “E” e o indicador da temperatura do compartimento do refrigerador serão exibidos os números 1, 2, 3. Estes números no indicador especificam o serviço relativamente à avaria. Se colocar alimentos quentes no compartimento do congelador ou se deixar a porta do mesmo aberta durante um tempo prolongado, pode acender-se um ponto de exclamação. Isso não é uma avaria, este aviso deve ser removido quando o alimento for arrefecido ou quando qualquer tecla for premida.

## 7.2 Guardar alimentos no Compartimento de refrigeração

### Guardar alimentos no Compartimento de refrigeração

- As temperaturas dos compartimentos aumentam consideravelmente se a porta do compartimento for aberta e fechada com frequência e mantida aberta durante muito tempo, isto pode reduzir a vida útil dos alimentos e fazer com que os alimentos se estraguem.
- Para não provocar alterações de odor e sabor, os alimentos devem ser armazenados em recipientes fechados.
- Não guardar demasiados alimentos no seu frigorífico. Para obter um arrefecimento melhor e homogéneo, colocar os alimentos separadamente de forma que o ar frio possa circular por entre os mesmos.
- Proporcionar fluxo de ar deixando um espaço entre o alimento e a parede interior. Se encostar os alimentos à parede traseira, os alimentos podem congelar.
- Levar as refeições quentes cozinhadas à temperatura ambiente, antes de as colocar no frigorífico. Em seguida, pode colocar a refeição morna nas prateleiras mais baixas do frigorífico. Não colocar as refeições mornas perto de alimentos que se podem estragar facilmente.
- Descongelar os alimentos congelados no compartimento de alimentos frescos. Assim, pode arrefecer o compartimento de alimentos frescos usando alimentos congelados e poupar energia.
- O armazenamento de frutas tropicais verdes (manga, variedades de melão, mamão, banana, abacaxi) no frigorífico

### 9. Tecla de congelação rápida

Quando a tecla de congelação rápida for premida, o LED na tecla acende e a função de congelação rápida deve ser ativada. A temperatura do compartimento do congelador é definida para -27 °C. Premir a tecla de novo para cancelar a função. A função de congelação rápida será cancelada automaticamente após 24 horas. Para congelar uma grande quantidade de alimentos frescos, premir a tecla de congelação rápida antes de colocar os alimentos no compartimento congelador.

### 10. Tecla para repor definições da

### ligação sem fios +

Para repor as definições da ligação sem fios, as teclas de Congelação rápida e Ligação sem fios devem ser premidas simultaneamente durante 3 segundos. Todas as informações do utilizador registadas anteriormente são removidas num produto onde as definições de ligação sem fios são repostas/restauradas para as predefinições.

pode acelerar o processo de maturação. Isto não é recomendado porque causará um tempo de armazenamento menor.

- Deve armazenar cebolas, alhos, gengibre e outros tubérculos em condições ambientais escuras e frias, não no frigorífico.
- Se perceber que um alimento está estragado no frigorífico, deitar fora esse alimento e limpar os acessórios que entraram em contacto com esse alimento.
- Para arrefecer rapidamente as refeições como sopas e ensopados, que são cozidos em panelas grandes, pode colocá-las no frigorífico separando-os nos seus próprios recipientes rasos.
- Não colocar os alimentos não embalados perto dos ovos.
- Manter as a frutas e os legumes separados e armazenar cada variedade junta (por exemplo, maçãs com maçãs, cenouras com cenouras)

- Retirar os legumes verdes do saco de plástico e colocar no frigorífico depois de os envolver em papel de cozinha ou pano de secagem. Se lavar este tipo de alimentos antes de os colocar no frigorífico, lembrar-se de os secar.
- Pode criar um ambiente húmido e fornecer um fluxo de ar, mantendo frutas e legumes, que sejam propensos a secar, em sacos de plástico perfurados ou não fechados.
- Exceto nos casos em que circunstâncias extremas estão disponíveis no ambiente, se o seu produto (na tabela de valores definidos recomendados) estiver definido para os valores definidos especificados, os alimentos mantêm a frescura durante mais tempo, tanto no compartimento de produtos frescos como no compartimento do congelador.

Armazenar os alimentos em diferentes locais de acordo com suas propriedades:	
Alimento	Local
Ovos	Prateleiras da porta
Produtos láteos (manteiga, queijo)	Se disponível, compartimento zero graus (para alimentos para o pequeno-almoço)
Frutos, legumes e hortaliças	Compartimento frutas-legumes, gaveta para frescos ou Compartimento EverFresh+ (se disponível)
Carne fresca, aves, peixe, salsichas, etc. Alimentos cozinhados	Se disponível, compartimento zero graus (para alimentos para o pequeno-almoço)
Alimentos prontos a servir, produtos embalados, alimentos enlatados e pickles	Prateleiras superiores ou prateleira da porta
Bebidas, garrafas, especiarias e petiscos	Prateleiras da porta

### Guardar alimentos no Compartimento do congelador

- Pode ativar a função de Congelação Rápida 4-6 horas antes da função de congelação e realizar um arrefecimento mais rápido.
- Levar as refeições quentes à temperatura ambiente, antes de as colocar no compartimento congelador.

- Os alimentos a serem congelados devem ser divididos em porções de acordo com o tamanho a ser consumido e congelados em embalagens separadas.
- É recomendado embalar os a alimentos antes de os colocar no congelador.
- A fim de evitar a expiração do tempo de armazenamento, gravar a data de congelação, de tempo e nome do

produto na embalagem de acordo com os períodos de armazenamento dos diferentes alimentos.

- Consumir rapidamente os alimentos que descongelou. Os alimentos descongelados não podem ser congelados novamente, exceto se estiverem cozinhados. Não é seguro consumir os alimentos frescos congelados de novo sem os cozinhar depois de descongelados.
- Quando congelar alimentos frescos, não deixar que fiquem em contacto com alimentos já congelados. Caso contrário, os alimentos congelados serão descongelados.

### Armazenar os alimentos, que são vendidos em forma congelada

- Seguir sempre as instruções do produtor em relação ao tempo durante o qual deve armazenar os seus alimentos. Não exceder o tempo especificado nestas instruções!
- Para proteger a qualidade dos alimentos, manter o intervalo de tempo entre a compra e o armazenamento o mais curto possível.

- Comprar os alimentos congelados que são armazenados a  $-18^{\circ}\text{C}$  ou temperaturas inferiores.
- Evitar comprar alimentos cujas embalagens estejam cobertas de gelo, etc. Isto significa que o produto pode ter sido parcialmente descongelado e congelado novamente. A temperatura afeta a qualidade dos alimentos.
- Não exceder o tempo de armazenamento recomendado pelo produtor do alimento. Retirar apenas a quantidade necessária de alimentos do congelador.
- Exceto nos casos em que circunstâncias extremas estão disponíveis no ambiente, se o seu produto (na tabela de valores definidos recomendados) estiver definido para os valores definidos especificados, os alimentos mantêm a frescura durante mais tempo, tanto no compartimento de produtos frescos como no compartimento do congelador.
- Se o compartimento de alimentos frescos estiver definido para uma temperatura mais baixa, frutas e legumes frescos podem ficar parcialmente congelados.

### Tabela de valores definidos recomendados

Definições do Compartimento Congelador	Definições do Compartimento Refrigerador	Descrições
$-22^{\circ}\text{C}$	$4^{\circ}\text{C}$	Isto é por defeito, definições recomendadas. Esta definição é recomendada se a temperatura ambiente for inferior a $30^{\circ}\text{C}$ .
$-20^{\circ}\text{C}$	$6^{\circ}\text{C}$	Estas definições são recomendadas para temperaturas ambientes a exceder $25^{\circ}\text{C}$ .
Congelamento Rápido	$4^{\circ}\text{C}$	Usar quando pretender congelar alimentos num curto espaço de tempo. Quando o processo estiver concluído, voltará à sua posição anterior.

### Congelação rápida

1. Ativar a função de congelação rápida 24 horas antes de colocar os alimentos frescos.
2. 24 horas depois de premir o botão, colocar primeiro os alimentos que pretende congelar na segunda prateleira com maior capacidade de congelação.
3. A função de congelação rápida será automaticamente desativada após 48 horas.

### Detalhes do congelador

De acordo com as normas IEC 62552, o congelador deve ter a capacidade de congelar 4,5 kg de itens alimentares a  $-18^{\circ}\text{C}$  ou temperaturas inferiores em temperatura ambiente de  $25^{\circ}\text{C}$  em 24 horas por cada 100 litros do volume do compartimento do congelador. Os itens alimentares só podem ser preservados por períodos prolongados a ou abaixo da temperatura de  $-18^{\circ}\text{C}$ .

Pode manter os alimentos frescos durante meses (no congelador a temperaturas de ou abaixo de -18 °C).

Os itens alimentares a congelar não devem entrar em contacto com os alimentos já congelados no seu interior para evitar uma descongelação parcial.

Ferver os legumes e filtrar a água para aumentar o tempo de armazenamento congelado. Colocar os alimentos em embalagens a vácuo após a filtragem e colocar no congelador. Bananas, tomates, alface, aipo, ovos cozidos, batatas e alimentos semelhantes não devem ser congelados. Caso este alimento apodreça, apenas os valores nutricionais e as qualidades alimentares serão afetados negativamente. O apodrecimento ameaçador da saúde humana não está em questão.

#### **Colocar os alimentos**

##### **Prateleiras do compartimento do congelador:**

Diferentes alimentos congelados como carne, peixe, gelado, legumes etc.

##### **Prateleiras do compartimento refrigerador:**

Alimentos dentro de recipientes, prato com tampa e caixas com tampa, ovos (em caixa com tampa)

##### **Prateleiras da porta do compartimento refrigerador:**

Alimentos ou bebidas pequenos e embalados

**Gaveta para frescos:** Legumes e fruta

##### **Compartimento de alimentos frescos:**

Charcutaria (pequeno-almoço, produtos de carne a serem consumidos a curto prazo)

### **7.3 Gaveta para frescos**

A gaveta para frescos do frigorífico foi projetada para manter os vegetais, preservando a humidade. Para este efeito, a circulação de ar frio é intensificada na gaveta para frescos. Manter as frutas e vegetais neste compartimento. Manter os vegetais de folhas verdes e as frutas separadamente para lhes prolongar a vida.

### **7.4 Módulo Fotocatalítico (FreshGuard)**

Graças a este módulo, que está posicionado por trás da tampa do evaporador com compartimento dos alimentos frescos, o ar é ativamente passado pelo filtro fotocatalítico revestido a dióxido de titânio e o ar limpo é circulado no interior. Deste modo, os maus odores são removidos do interior do frigorífico antes de ser impregnado nas superfícies dos alimentos e ao mesmo tempo, é obtida uma circulação higiénica de ar através do ar desinfetado. Esta função é acionada pelo ventilador do compartimento dos alimentos frescos localizado por trás da tampa do evaporador, o LED UV-A e o filtro de odores revestido a dióxido de titânio. Para ativar/desativar este módulo, que fornece higiene e uma circulação de ar livre de odores no frigorífico, premir e manter

premido o botão (P<sub>3</sub>) durante 3 segundos e assegurar que o indicador de

função (P) aparece no ecrã quando está ativo e desaparece do ecrã quando está desativado. Depois de esta função ser ativada conforme descrito, a mesma funciona periodicamente sem a necessidade de premir novamente qualquer tecla. Se a porta do compartimento dos alimentos frescos estiver aberta enquanto o módulo estiver ativo, o ventilador e o LED UV-A não será ativado temporariamente, mas irá retomar o funcionamento depois de a porta ser fechada. No caso de interrupção do fornecimento de energia enquanto o módulo está em funcionamento, o módulo irá retomar o funcionamento a partir do ponto onde parou depois de o fornecimento de energia ter sido retomado.

**Nota:** Para evitar maus odores que podem ocorrer com uma mistura de odores de tipos diferentes de alimentos, recomendamos-lhe armazenar os alimentos aromáticos como queijo,



azeitonas e charcutaria nas respetivas embalagens e com as respetivas tampas fechadas. Para a segurança de outros alimentos armazenados, para que haja condições de armazenamento higiénicas e para impedir maus odores, recomendamos que sejam retirados do frigorífico logo que possível os alimentos que tenha verificado estarem estragados.

## 7.5 Zona de armazenamento de produtos láteos frios

### Gaveta de armazenamento a frio

A gaveta de armazenamento a frio pode atingir temperaturas mais baixas no compartimento mais frio. Usar esta gaveta para produtos de charcutaria (salame, salsichas, etc.) e produtos láteos que exigem condições de armazenamento mais frias ou para carne, frango ou peixe a ser consumido rapidamente. Não é adequado armazenar frutas e vegetais nesta gaveta.

## 7.6 Inverter o lado de abertura da porta


O lado de abertura da porta do seu frigorífico pode ser invertido de acordo com o local onde o vai colocar. Quando isto é necessário, deve definitivamente contactar o Serviço Autorizado mais próximo.

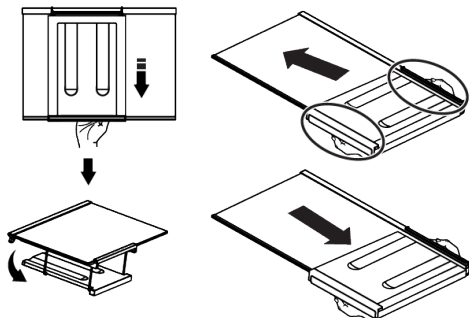
## 7.7 Alerta de porta aberta

Um alerta sonoro será ouvido se a porta do produto permanecer aberta durante 1,5 minuto. O alerta sonoro parará quando a porta for fechada ou premir qualquer botão no visor (se disponível).

## 7.8 Prateleira dobrável para vinhos

Permite ao utilizador armazenar garrafas de vinho se necessário. Para usar a secção da prateleira, segurar na parte plástica e puxar suavemente a mesma para baixo. Pode agora usar a prateleira dobrável de vinhos.

 Recomenda-se armazenar no máximo de 2 garrafas de vinho na prateleira dobrável para vinhos.



Para agrupar a prateleira para vinhos, em primeiro lugar, retirar a prateleira de vidro do frigorífico. Colocar a mesma na prateleira de vidro puxando a parte de plástico através das guias frontal e traseira conforme mostrado na imagem. O produto estará pronto a usar com a prateleira dobrável para vinhos.

Para retirar a prateleira dobrável para vinhos, em primeiro lugar, retirar a prateleira de vidro do frigorífico. Depois segurar a parte de plástico e puxar a mesma em qualquer direção. Pode agora usar o produto sem a prateleira dobrável para vinhos quando for necessário.

## 7.9 Substituição da lâmpada Iluminação

Contactar o Serviço Autorizado quando a lâmpada/LED usada para iluminar o seu frigorífico for para ser substituída.

A(s) lâmpada(s) usada(s) neste aparelho não pode(m) ser usada(s) para iluminação doméstica. O uso pretendido desta lâmpada é ajudar o utilizador a colocar alimentos no frigorífico/congelador com segurança e conforto.

## 7.10 AeroFlow

É um sistema de distribuição de ar que fornece uma distribuição homogénea da temperatura. Com a circulação de ar, a distribuição homogénea da temperatura é

assegurada no compartimento de armazenamento de alimentos frescos e a flutuação da temperatura é mantida em níveis reduzidos. Não é feita a disseminação de ar direto sobre os alimentos e isso ajuda a reduzir a perda de humidade. Isto preserva a frescura dos alimentos armazenados no compartimento de alimentos frescos do frigorífico. Deste

## 8 Manutenção e limpeza



### ADVERTÊNCIA:

Ler primeiro a secção “Instruções de segurança”.



### ADVERTÊNCIA:

Desligar o frigorífico da ficha antes de o limpar.

- Não usar ferramentas afiadas ou abrasivas para limpar o produto. Não usar materiais tais como produtos de limpeza doméstica, detergentes, sabão, gás, gasolina, álcool, cera, etc.
- O pó deve ser retirado da grade de ventilação na parte traseira do produto pelo menos uma vez por ano (sem abrir a tampa). Limpar o produto com um pano seco.
- Ter cuidado para manter a tampa da lâmpada e outras peças elétricas afastadas da água.
- Limpar a porta com um pano macio e humedecido. Retirar todo o conteúdo para remover as prateleiras da porta e da estrutura. Remover as prateleiras da porta levantando-as para cima. Limpar e secar as prateleiras e, em seguida, voltar a colocá-las no lugar deslizando de cima para baixo.
- Não usar lixívia ou produtos de limpeza na superfície exterior e nas partes revestidas a cromo do produto. A lixívia dá origem a corrosão nas referidas superfícies metálicas.
- Não usar ferramentas afiadas e abrasivas, sabão, materiais de limpeza doméstica, detergentes, gás, gasolina,

modo, os seus alimentos são armazenados a temperaturas mais estáveis e o contacto com o ar é reduzido. A secagem e a contração dos alimentos ao perderem a humidade é evitada e a frescura é permitida durante um período de tempo mais longo.

verniz e substâncias semelhantes para evitar a deformação da peça de plástico e remoção de impressões na peça. Usar água morna e um pano macio para limpar e secar.

- Nos produtos sem a funcionalidade No-Frost, podem ocorrer gotas de água e gelo com a espessura de um dedo na parede traseira do compartimento congelador. Não limpar e nunca aplicar óleos ou soluções similares.
- Usar um pano em microfibra ligeiramente humedecido para limpar a superfície exterior do produto. Esponjas e outros tipos de panos de limpeza podem causar riscos.
- Para limpar todos os componentes amovíveis durante a limpeza da superfície interior do produto, lavar esses componentes com uma solução neutra composta por sabão, água e carbonato. Lavar e secar em profundidade. Evitar o contacto da água com componentes de iluminação e o painel de controlo.



### CUIDADO:

Não usar vinagre, álcool isopropílico ou outras soluções de limpeza à base de álcool em qualquer das superfícies interiores.

### Superfícies exteriores em aço inoxidável

Usar um agente de limpeza não abrasivo para aço inoxidável e aplicar com um pano macio que não solte cotão. Para polir, limpar suavemente a superfície com um

pano em microfibra humedecido com água e usar uma camurça para polir. Deve seguir sempre os veios do aço inoxidável.

### Evitar odores

O produto é fabricado livre de quaisquer materiais odoríferos. No entanto, manter os alimentos em secções inadequadas e a limpeza inadequada das superfícies interiores pode causar odores.

- Para evitar isto, limpar o interior com água carbonatada a cada 15 dias.

- Manter os alimentos em recipientes fechados, dado poderem surgir microorganismos a partir dos alimentos em recipientes não fechados que provocarão maus odores.
- Não manter alimentos expirados e estragados no frigorífico.

### Proteger as superfícies de plástico

Óleo derramado sobre superfícies de plástico pode danificar a superfície e deve ser limpo imediatamente com água morna.

## 9 Resolução de problemas

Verificar esta lista antes de contactar o serviço. Ao fazê-lo poupará tempo e dinheiro. Esta lista inclui queixas frequentes que não são relacionadas com mão-de-obra ou materiais. Determinadas funções aqui referidas podem não ser aplicáveis ao seu produto.

### O frigorífico não está a funcionar.

- A ficha de alimentação não está totalmente encaixada. >>> Ligar a mesma para a encaixar totalmente na tomada.
- O fusível ligado à tomada para alimentar o produto ou o fusível principal rebentou. >>> Verificar o fusível.

### A condensação na parede lateral do compartimento de refrigeração (ZONA MÚLTIPLA, CONTROLO FRIO e ZONA FLEXI)

- A porta é aberta com demasiada frequência. >>> Ter o cuidado para não abrir a porta do produto com demasiada frequência.
- O ambiente é demasiado húmido. >>> Não instalar o produto em ambientes húmidos.
- Os alimentos que contêm líquidos são mantidos em recipientes não fechados. >>> Manter os alimentos que contêm líquidos em recipientes fechados.

- A porta do produto foi deixada aberta. >>> Não manter a porta do produto aberta durante longos períodos.
- O termostato está definido para uma temperatura muito fria. >>> Definir o termostato para uma temperatura apropriada.

### O compressor não está a funcionar.

- No caso de uma falha repentina de energia ou de retirar a ficha de alimentação e de a voltar a colocar, a pressão do gás no sistema de refrigeração do produto não está equilibrada, o que faz acionar a proteção térmica do compressor. O produto irá arrancar depois de aproximadamente 6 minutos. Se o produto não arrancar após este período de tempo, deve contactar o serviço.
- A descongelação está ativa. >>> Isto é normal para um produto com descongelação totalmente automática. A descongelação é realizada periodicamente.
- O produto não está ligado. >>> Assegurar que o cabo de alimentação está ligado.
- A definição da temperatura está incorreta. >>> Selecionar a definição apropriada da temperatura.
- A alimentação está desligada. >>> O produto irá continuar a operar normalmente após a alimentação ser reposta.

**O ruído de funcionamento do frigorífico está aumentar quando este está a ser utilizado.**

- O desempenho de funcionamento do produto pode variar dependendo das variações da temperatura ambiente. Isto é normal e não é um mau funcionamento.

**O frigorífico funciona com demasiada frequência ou durante longos períodos.**

- O novo produto pode ser maior que o anterior. Os produtos maiores irão funcionar por períodos mais longos.
- A temperatura ambiente pode estar alta. >>> O produto funcionará normalmente por longos períodos em temperatura ambiente mais elevada.
- O produto pode ter sido ligado recentemente ou foi colocado no seu interior um produto alimentar novo. >>> O produto levará mais tempo a atingir a temperatura definida quando recentemente ligado ou foi colocado no seu interior um novo produto alimentar. Isto é normal.
- Podem ter sido colocados dentro do produto grandes quantidades de alimentos quentes. >>> Não colocar alimentos quentes dentro do produto.
- As portas foram abertas com frequência ou mantidas abertas durante longos períodos. >>> O ar quente que se desloca dentro do produto fará com que o produto funcione durante mais tempo. Não abrir as portas com demasiada frequência.
- A porta do congelador ou do refrigerador podem estar entreabertas. >>> Verificar se as portas estão totalmente fechadas.
- O produto pode estar definido para uma temperatura demasiado baixa. >>> Definir a temperatura para um valor mais alto e aguardar que o produto atinja a temperatura ajustada.
- A anilha do refrigerador ou do congelador pode estar suja, gasta, partida ou incorretamente encaixada. >>> Limpar ou substituir a junta. A anilha da

porta danificada/rasgada fará com que o produto funcione durante períodos mais longos para preservar a temperatura atual.

**A temperatura do congelador é muito baixa, mas a temperatura do refrigerador é adequada.**

- A temperatura do compartimento do congelador está definida para um valor muito baixo. >>> Definir a temperatura do compartimento do congelador para um valor mais alto e verificar novamente.

**A temperatura do compartimento de refrigeração é muito baixa, mas a temperatura do congelador é adequada.**

- A temperatura do compartimento de refrigeração está definida para um valor muito baixo. >>> Definir a temperatura do compartimento de refrigeração para um valor mais alto e verificar novamente.

**Os produtos alimentares mantidos nas gavetas do compartimento do refrigerador estão congelados.**

- A temperatura do compartimento de refrigeração está definida para um valor muito baixo. >>> Definir a temperatura do compartimento de refrigeração para um valor mais alto e verificar novamente.

**A temperatura no compartimento de refrigeração ou no congelador é muito alta.**

- A temperatura do compartimento de refrigeração está definida para um valor muito alto. >>> A definição da temperatura do compartimento de refrigeração tem um efeito na temperatura do compartimento do congelador. Aguardar até que a temperatura das partes relevantes atinjam o nível suficiente alterando a temperatura do compartimento de refrigeração ou a temperatura do congelador.
- As portas foram abertas com frequência ou mantidas abertas durante longos períodos. >>> Não abrir a porta com demasiada frequência.

- A porta pode estar entreaberta. >>> Fechar totalmente a porta.
- O produto pode ter sido ligado recentemente ou foi colocado no seu interior um produto alimentar novo. >>> Isto é normal. O produto levará mais tempo a atingir a temperatura definida quando recentemente ligado ou foi colocado no seu interior um novo produto alimentar.
- Podem ter sido colocados dentro do produto grandes quantidades de alimentos quentes. >>> Não colocar alimentos quentes dentro do produto.

### **Vibrar ou ruído.**

- A superfície não está plana ou durável >>> Se o produto vibrar quando deslocado lentamente, ajustar os suportes para equilibrar o produto. Assegurar também que o pavimento é suficientemente durável para suportar o produto.
- Quaisquer itens colocados sobre o produto podem provocar ruído. >>> Remover quaisquer itens colocados em cima do produto.
- O produto a fazer ruído de líquido a correr, a pulverizar, etc.
- Os princípios de funcionamento do produto envolvem fluxos de líquido e de gás. >>> Isto é normal e não é um mau funcionamento.

### **Há um som de vento a soprar vindo do produto.**

- O produto usa um ventilador para o processo de refrigeração. Isto é normal e não é um mau funcionamento.

### **Há condensação nas paredes interiores do produto.**

- O tempo húmido ou quente irá aumentar a formação de gelo ou de condensação. Isto é normal e não é um mau funcionamento.
- As portas foram abertas com frequência ou mantidas abertas durante longos períodos. >>> Não abrir as portas com demasiada frequência; se aberta, fechar a porta.

- A porta pode estar entreaberta. >>> Fechar totalmente a porta.

### **Há condensação no exterior do produto ou entre as portas.**

- O meio ambiente pode estar húmido, o que é bastante normal no tempo húmido. >>> A condensação irá desaparecer quando a humidade é reduzida.

### **O interior tem mau cheiro.**

- O produto não é limpo regularmente. >>> Limpar regularmente o interior usando uma esponja, água quente e água gaseificada.
- Determinados recipientes e materiais de embalagem podem provocar odores. >>> Usar recipientes e materiais de embalagem isentos de odor.
- Os alimentos foram colocados em recipientes não fechados. >>> Manter os alimentos em recipientes fechados. Podem espalhar-se microorganismos de produtos alimentares não fechados e provocarem maus odores.
- Remover do produto todos os alimentos fora de prazo ou que se encontrem estragados.

### **A porta não está a fechar.**

- As embalagens dos alimentos podem estar a bloquear a porta. >>> Colocar noutra posição os itens que estão a bloquear as portas.
- O produto não está totalmente na posição vertical no pavimento. >>> Ajustar os suportes para equilibrar o produto.
- A superfície não está plana ou durável >>> Assegurar que a superfície está plana e é suficientemente durável para suportar o produto.

### **A gaveta para frescos está encravada.**

- Os produtos alimentares podem estar em contacto com a secção superior da gaveta. >>> Reorganizar os produtos alimentares na gaveta.

### **Temperatura na superfície do produto.**

- Entre as duas portas, nos painéis laterais e na zona da grelha traseira pode ser observada uma temperatura elevada

enquanto o produto estiver em funcionamento. Isto é normal e não exige assistência.

### **O ventilador continua a funcionar quando a porta é aberta.**

- O ventilador pode continua a funcionar quando a porta do congelador é aberta.



**ADVERTÊNCIA:** Se o problema persistir após ter seguido as instruções nesta secção, contactar o seu vendedor ou um Serviço Autorizado. Não tentar reparar o produto. Isto é normal.

## **ISENÇÃO DE RESPONSABILIDADE /ADVERTÊNCIA**

Algumas falhas (simples) podem ser tratadas de forma adequada pelo utilizador final sem que surja qualquer problema de segurança ou de utilização não segura, desde que as mesmas sejam solucionadas dentro dos limites e de acordo com as seguintes instruções (consultar a secção “Reparação Autónoma”.

Portanto, exceto se contrariamente autorizado na secção “Reparação Autónoma” abaixo, as reparações devem ser realizadas por profissionais reparadores registados de modo a evitar problemas de segurança. Um reparador profissional registado é um reparador profissional a quem o fabricante concedeu acesso às instruções e à lista de peças de substituição deste produto de acordo com os métodos descritos na lei nos termos da Diretiva 2009/125/CE.

**No entanto, apenas o agente de reparação (ou seja, os reparadores profissionais autorizados) com quem pode entrar em contacto através do número de telefone fornecido no manual do utilizador/cartão da garantia ou através do seu revendedor autorizado que pode fornecer serviços de acordo com os termos de garantia. Portanto, deve estar ciente de que as reparações feitas por reparadores profissionais (que não estejam autorizados pela )Beko anulam a garantia.**

### **Reparação Autónoma**

A reparação autónoma pode ser feita pelo utilizador final no que se refere às seguintes peças de substituição: pegas da porta, dobradiça da porta, tabuleiros,

cestos e vedantes da porta (também está disponível uma lista atualizada [support.beko.com](http://support.beko.com) desde 1 de março de 2021).

Além disso, para garantir a segurança do produto e evitar o risco de lesões graves, a reparação autónoma referida deve ser feita seguindo as instruções do manual do utilizador para reparação autónoma ou as que estão disponíveis em [support.beko.com](http://support.beko.com) . Para sua segurança, deve desligar o produto antes de tentar fazer qualquer reparação autónoma.

As reparações e tentativas de reparação feitas pelos utilizadores finais de peças não incluídas na referida lista e/ou não seguindo as instruções nos manuais do utilizador relativamente à mesma ou que se encontram disponíveis em [support.beko.com](http://support.beko.com), podem levantar questões de segurança não atribuíveis a Beko, e anularão a garantia do produto. Portanto, é altamente recomendável que os utilizadores finais evitem tentar realizar reparações que não se enquadrem na lista mencionada de peças de substituição, e nesse caso deverão contactar com reparadores profissionais autorizados ou reparadores profissionais registados. Por outro lado, as referidas tentativas por parte dos utilizadores finais podem provocar problemas de segurança e danificar o produto e, subsequentemente, provocar incêndio, inundação, eletrocussão e ferimentos graves.

A título de exemplo, mas não limitado a, as seguintes reparações devem ser realizadas por reparadores profissionais autorizados

ou reparadores profissionais registados: compressor, circuito de refrigeração, placa principal, placa do inversor, placa do visor, etc.

O fabricante/vendedor não pode ser responsabilizado em nenhuma circunstância em que os utilizadores finais não cumpram com o acima referido. A disponibilidade de peças de substituição do frigorífico que comprou é de 10 anos. Durante este período, as peças de

substituição originais estarão disponíveis para o funcionamento correto do frigorífico.

A duração mínima da garantia do frigorífico que adquiriu é de 24 meses.

Este produto está equipado uma fonte de iluminação com a classe energética "G".

A fonte de iluminação neste produto será somente substituída por um reparador profissional.

Ver também

2 DISCLAIMER / WARNING [; 27]

## Cortesemente leggi prima questo manuale!

Gentile Cliente,

**Cortesemente leggi il presente manuale prima di iniziare ad usare il prodotto.**

Ti ringraziamo per aver scelto questo prodotto Beko. Vorremmo che il prodotto, che è stato realizzato con la tecnologia più avanzata, ti possa offrire l'efficienza ottimale. Per questo, prima di utilizzare il prodotto leggi attentamente questo manuale e qualsiasi altra documentazione fornita e conservali per riferimenti futuri.

Presta particolare attenzione alle informazioni e alle avvertenze contenute nel manuale utente. In questo modo proteggerai te stesso e il tuo prodotto da possibili pericoli.

Conserva il manuale utente. Se dovessi consegnare il prodotto a qualcun altro, non dimenticare di includere questo manuale.

**Nel manuale utente sono utilizzati i seguenti simboli:**



Pericolo che potrebbe causare morte o lesioni.



Informazioni importanti o suggerimenti utili sul funzionamento.







Leggi il manuale utente.



Materiale combustibile, pericolo di incendio.

**AVVISO** Un pericolo che potrebbe causare danni materiali al prodotto o all'ambiente circostante

  SUPPLIER'S NAME      MODEL IDENTIFIER → (*)  	Le informazioni sul modello memorizzate nella banca dati del prodotto possono essere ottenute entrando nel seguente sito web e cercando il proprio identificatore di modello (*) che si trova sull'etichetta energetica. <a href="https://eprel.ec.europa.eu/">https://eprel.ec.europa.eu/</a>
--	---



<b>1 Istruzioni di sicurezza.....</b>	<b>58</b>
1.1 Uso previsto.....	58
1.2 Sicurezza dei bambini, dei disabili e degli animali domestici.....	58
1.3 Sicurezza elettrica.....	59
1.4 Manipolazione in sicurezza.....	60
1.5 Installazione in sicurezza.....	60
1.6 Funzionamento in sicurezza.....	62
1.7 Sicurezza nella conservazione degli alimenti.....	64
1.8 Manutenzione e pulizia in sicurezza.....	65
<b>2 Istruzioni relative all'ambiente.....</b>	<b>66</b>
2.1 Conformità con la direttiva WEEE e con la normativa sullo smaltimento dei prodotti di scarico. ....	66
<b>3 Il vostro frigorifero.....</b>	<b>67</b>
<b>4 Installazione.....</b>	<b>67</b>
4.1 Luogo idoneo per l'installazione...	67
4.2 Collegamenti elettrici.....	68
4.3 Fissaggio dei cunei in plastica.....	68
4.4 Regolazione delle gambe.....	69
4.5 Avvertenza: superficie calda.....	69
<b>5 Preparazione.....</b>	<b>69</b>
5.1 Cosa fare per risparmiare energia	69
5.2 Uso previsto.....	70
5.3 Classe climatica e definizioni.....	70
<b>6 Funzionamento del prodotto.....</b>	<b>70</b>
<b>7 Uso dell'apparecchio.....</b>	<b>71</b>
7.1 Pannello di controllo del prodotto	71
7.2 Conservare il cibo nello scomparto frigorifero.....	73
7.3 Crisper (Cassetto frutta e verdura).....	76
7.4 Modulo fotocatalitico (Fresh-Guard).....	76
7.5 Area di conservazione a freddo dei prodotti lattiero-caseari.....	77
7.6 Inversione del lato di apertura della porta.....	77
7.7 Avviso di porta aperta.....	77
7.8 Ripiano porta-vino pieghevole.....	77
7.9 Sostituzione della lampada.....	78

7.10 AeroFlow.....	78
<b>8 Manutenzione e pulizia.....</b>	<b>78</b>
<b>9 Guida alla risoluzione dei problemi.....</b>	<b>79</b>

## 1 Istruzioni di sicurezza

Questa sezione include le istruzioni sulla sicurezza necessarie per evitare il rischio di lesioni personali e danni materiali.

La nostra azienda non è da ritenersi responsabile per i danni causati dall'inosservanza delle presenti istruzioni.

Le operazioni di installazione e riparazione dovranno sempre essere eseguite da un servizio di assistenza autorizzato.

Servirsi unicamente di pezzi di ricambio e accessori originali.

I pezzi di ricambio originali saranno forniti per 10 anni dalla data di acquisto del prodotto.

Non riparare o sostituire alcun componente del prodotto a meno che ciò non venga chiaramente specificato nel manuale utente.

Non eseguire modifiche sul prodotto.

### 1.1 Uso previsto

Questo prodotto non è adatto all'uso commerciale e non dovrebbe essere usato per usi diversi da quelli previsti. Questo prodotto è progettato per essere usato in ambienti chiusi, in casa e in luoghi simili.

Ad esempio:

- Nelle cucine del personale di negozi, uffici e altri ambienti di lavoro,
- Nelle cascine,
- Nelle unità di alberghi, motel o altre strutture di riposo utilizzate dai clienti,
- In ostelli o ambienti simili,
- Nei servizi di catering e similari, purché in scenari non retail.

Questo prodotto non deve essere utilizzato in ambienti esterni aperti o chiusi, come navi, balconi o terrazze. L'esposizione del prodotto a pioggia, neve, luce solare e vento potrebbe causare rischi di incendio.

### 1.2 Sicurezza dei bambini, dei disabili e degli animali domestici

- Questo prodotto può essere utilizzato da bambini dagli 8 anni in su e da persone con capacità fisiche, sensoriali o mentali insufficienti o prive di esperienza e conoscenza purché supervisionati o abbiano ricevuto istruzioni sull'uso dell'apparecchio in modo sicuro e sui relativi pericoli connessi.

- I bambini tra i 3 e gli 8 anni sono autorizzati a mettere ed estrarre cibo da/nel prodotto raffreddato.
- I dispositivi elettrici sono pericolosi per i bambini e gli animali domestici. I bambini e gli animali domestici non devono giocare, salire o entrare nel prodotto.
- Gli interventi di pulizia e manutenzione non devono essere eseguiti dai bambini a meno che sotto la supervisione di una persona adulta.
- Tenere i materiali di imballaggio lontano dalla portata dei bambini. Pericolo di lesioni e soffocamento.

Prima di smaltire i vecchi prodotti che non devono più essere utilizzati:

1. Scollegare il cavo di alimentazione dalla presa di corrente.
2. Tagliare il cavo di alimentazione e rimuoverlo dall'apparecchio insieme alla spina.
3. Per evitare che i bambini entrino nell'apparecchio non rimuovere i ripiani e i cassetti dal prodotto.
4. Rimuovere le porte.
5. Conservare il prodotto in modo da non ribaltarlo.

6. Non permettere ai bambini di giocare con il prodotto anche se vecchio e non più utilizzato.

- Non smaltire il prodotto gettandolo nel fuoco. Pericolo di esplosione.
- Se la porta del prodotto dispone di serratura, tenere la chiave fuori dalla portata dei bambini.



### 1.3 Sicurezza elettrica

- Durante le operazioni di installazione, manutenzione, pulizia, riparazione e trasporto, il prodotto non deve essere collegato alla presa di corrente.
- Se il cavo di alimentazione è danneggiato, deve essere sostituito da un servizio di assistenza autorizzato, per evitare qualsiasi rischio.
- Non infilare il cavo di alimentazione sotto il prodotto o sul retro del prodotto. Non appoggiare oggetti pesanti sul cavo di alimentazione. Il cavo di alimentazione non deve essere piegato, schiacciato e non deve venire a contatto con alcuna fonte di calore.
- Non utilizzare prolunghe, multiple o adattatori per azionare il prodotto.
- Le multi prese portatili o gli alimentatori portatili possono surriscaldarsi e causare incen-

di. Pertanto, non disporre una presa multipla dietro o nelle vicinanze del prodotto.

- La spina deve essere facilmente accessibile. Se ciò non è possibile, sull'impianto elettrico deve essere disponibile un meccanismo che soddisfi la regolamentazione in materia di elettricità e che scolleghi tutti i terminali dalla rete elettrica (fusibile, interruttore, interruttore principale, ecc.).
- Non toccare la spina con le mani bagnate.
- Quando si scollega l'apparecchio, non tenere il cavo di alimentazione, ma la spina.



#### **1.4 Manipolazione in sicurezza**

- Il prodotto è pesante, non maneggiarlo da soli.
- Non tenere il prodotto dalla porta durante la manipolazione dello stesso.
- Fare attenzione a non danneggiare il sistema di raffreddamento e le tubazioni durante la manipolazione del prodotto. Non azionare il prodotto se i tubi sono danneggiati e contattare il servizio di assistenza autorizzato.



#### **1.5 Installazione in sicurezza**

- Rivolgersi al Servizio Autorizzato per l'installazione del prodotto. Per preparare il prodotto all'installazione, consultare le informazioni contenute nel manuale utente e accertarsi che le utenze elettriche e idriche siano conformi a quanto necessario. In caso contrario, chiamare un elettricista e un idraulico per sistemare le utenze come necessario. Il non rispetto di tali istruzioni potrebbe aumentare il rischio di scosse elettriche, incendi, danni al prodotto o lesioni.
- Controllare che non vi siano danni al prodotto prima di installarlo. Non far installare il prodotto se è danneggiato.
- Posizionare il prodotto su una superficie piana, solida e bilanciata coi piedini regolabili. In caso contrario, il frigorifero potrebbe ribaltarsi e causare lesioni.
- Il prodotto deve essere installato in un ambiente asciutto e ventilato. Non tenere tappeti, moquette, o simili sotto il prodotto. In caso contrario, la ventilazione inadeguata potrebbe determinare un rischio di incendio!

- Non bloccare o coprire i fori di ventilazione. In caso contrario, il consumo energetico potrebbe aumentare e il prodotto potrebbe danneggiarsi.
- Il prodotto non deve essere collegato a sistemi di alimentazione come l'alimentazione solare. Altrimenti, il prodotto potrebbe danneggiarsi a causa di improvvisi cambiamenti di tensione!
- Più refrigerante contiene un frigorifero, più grande deve essere lo spazio necessario per la sua installazione. In locali molto piccoli, in caso di perdita di gas nel sistema di raffreddamento potrebbe verificarsi una miscela gas-aria infiammabile. Per ogni 8 grammi di refrigerante è necessario almeno 1 m<sup>3</sup> di volume. La quantità di refrigerante disponibile nel prodotto è specificata nella targhetta di identificazione.
- Il luogo di installazione del prodotto non dovrà essere esposto alla luce diretta del sole e non dovrà essere nelle vicinanze di una fonte di calore come stufe, radiatori, ecc. Se non è possibile evitare l'installazione del prodotto in prossimità di una fonte di calore, si dovrà utilizzare una piastra isolante adeguata e la distanza minima dalla fonte di calore dovrà essere come specificato di seguito.
- Almeno 30 cm di distanza da fonti di calore come stufe, termosifoni, radiatori, riscaldatori, ecc,
- Almeno 5 cm di distanza dai forni elettrici.
- Il prodotto ha la classe di protezione I.
- Inserire il prodotto in una presa con messa a terra conforme ai valori di tensione, corrente e frequenza specificati nella targhetta d'identificazione. La presa deve avere un fusibile da 10A - 16A. La nostra azienda non si assumerà alcuna responsabilità per gli eventuali danni dovuti ad un uso senza previa messa a terra e collegamento elettrico non conforme alle normative locali e nazionali.
- Durante l'installazione, il cavo di alimentazione del prodotto deve essere scollegato. In caso contrario sussiste il pericolo di scosse elettriche e lesioni!
- Non collegare il prodotto a prese allentate, rotte, sporche o piene di grasso, che fuoriescono dalla mascherina o prese a contatto con l'acqua.

- Collocare il cavo di alimentazione e i tubi flessibili (se disponibili) del prodotto in modo che non comportino il rischio di inciampare.
- La penetrazione dell'umidità nelle parti sotto tensione o nel cavo di alimentazione potrebbe causare un cortocircuito. Pertanto, non utilizzare il prodotto in ambienti umidi o in zone in cui l'acqua possa schizzare (ad esempio garage, lavanderia, ecc.) Se il frigorifero viene bagnato dall'acqua, staccare la spina e contattare il servizio di assistenza autorizzato.
- Non collegare mai il frigorifero a dispositivi di risparmio energetico. Questi sistemi sono dannosi per il prodotto
- Non collocare una fonte di fiamma (ad es. candele, sigarette, ecc.) sul prodotto o nelle sue vicinanze.
- Non salire sul prodotto. Pericolo di caduta e lesioni!
- Non danneggiare i tubi dell'impianto di raffreddamento con attrezzi affilati e perforanti. Il refrigerante spruzzato fuori in caso di foratura dei tubi del gas, prolunghe o rivestimenti superficiali potrebbe causare irritazione della pelle e lesioni agli occhi.
- Non collocare e mettere in funzione apparecchi elettrici all'interno dei frigoriferi/congelatore, a meno che non sia stato consigliato dal produttore.
- Non incastrare mani o parti del corpo nelle parti in movimento e all'interno del prodotto. Fare attenzione a non incastrare le dita tra il frigorifero e la sua porta. Prestare attenzione durante l'apertura o la chiusura della porta in presenza di bambini.
- Non mettere in bocca gelati, cubetti di ghiaccio o cibi surgelati non appena tolti dal congelatore. Pericolo di congelamento!

## 1.6 Funzionamento in sicurezza

- Non utilizzare mai solventi chimici sul prodotto. Questi materiali comportano un rischio di esplosione.
- In caso di guasto del prodotto, scollegare la spina e non far funzionare fino a quando non viene riparato dal servizio di assistenza autorizzato. In caso contrario, vi è il rischio di scossa elettrica!

- Non toccare con le mani bagnate le pareti interne, le parti metalliche del congelatore o gli alimenti conservati al suo interno. Pericolo di congelamento!
- Non collocare nello scomparto congelatore lattine o bottiglie contenenti liquidi che possono congelarsi. Lattine o bottiglie possono esplodere. Pericolo di lesioni e danni materiali!
- Non utilizzare o collocare materiali sensibili alla temperatura come spray infiammabili, oggetti infiammabili, ghiaccio secco o altri agenti chimici nelle vicinanze del frigorifero. Pericolo di incendio ed esplosione!
- Non conservare materiali esplosivi come bombolette spray assieme a materiali infiammabili all'interno del prodotto.
- Non collocare lattine contenenti liquidi sopra il prodotto. Gli spruzzi d'acqua su una parte elettrica possono causare il rischio di scosse elettriche o incendi.
- Questo prodotto non è destinato allo stoccaggio e al raffreddamento di medicinali, plasma sanguigno, preparati o materiali di laboratorio e prodotti simili, soggetti a direttive sui prodotti medici.
- Se il prodotto viene utilizzato in modo non conforme alla sua destinazione, può causare danni o deterioramento dei prodotti conservati al suo interno.
- Se il frigorifero è dotato di luce blu, non guardare questa luce con dispositivi ottici. Non guardare direttamente la luce UV LED per lungo tempo. I raggi ultravioletti possono causare affaticamento visivo.
- Non riempire il prodotto con più alimenti di quanto consentito dalla sua capacità. Potrebbero verificarsi lesioni o danni se il contenuto del frigorifero cade quando lo sportello è aperto. Problemi simili potrebbero verificarsi anche quando un oggetto viene posto sopra il prodotto.
- Assicurarsi di aver rimosso il ghiaccio o l'acqua che potrebbe essere caduta a terra per evitare lesioni.
- Cambiare la posizione dei ripiani/porta bottiglie sulla porta del frigorifero mentre i ripiani sono vuoti. Pericolo di lesioni fisiche!
- Non appoggiare oggetti che potrebbero cadere/ribaltarsi sul prodotto. Questi oggetti po-

trebbero cadere durante l'apertura o la chiusura della porta e causare lesioni e/o danni materiali.

- Non urtare e non esercitare una pressione eccessiva sulle superfici di vetro. La rottura del vetro potrebbe causare lesioni e/o danni materiali.
- Il sistema di raffreddamento del prodotto contiene refrigerante R600a Il tipo di refrigerante usato nel prodotto è specificato nella targhetta identificativa. Questo gas è infiammabile. Pertanto, fare attenzione a non danneggiare il sistema di raffreddamento e le tubazioni durante il funzionamento del prodotto. In caso di danni alle tubazioni:
  1. Non toccare il prodotto o il cavo di alimentazione.
  2. Tenere il prodotto lontano da potenziali fonti di calore che potrebbero causare il surriscaldamento e l'incendio del prodotto.
  3. Assicurare la ventilazione dell'area in cui è collocato il prodotto. Non utilizzare un ventilatore.
  4. Contattare il servizio di assistenza autorizzato.

5. Se il prodotto è danneggiato e si osservano perdite di gas, stare lontani dal gas. Il gas potrebbe causare congelamento se entra in contatto con la pelle.



### **1.7 Sicurezza nella conservazione degli alimenti**

Per evitare il deterioramento degli alimenti, si prega di prestare attenzione alle seguenti avvertenze:

- Lasciare gli sportelli aperti per molto tempo potrebbe fare aumentare la temperatura all'interno del prodotto.
- Pulire regolarmente i sistemi di drenaggio accessibili a contatto con gli alimenti.
- Pulire i serbatoi d'acqua che non sono stati usati per 48 ore e i sistemi d'acqua alimentati dalla rete che non sono stati usati per più di 5 giorni.
- Conservare i prodotti crudi di carne e pesce in scomparti appropriati all'interno del prodotto. In tal modo, non sgoccioleranno e non entreranno in contatto con altri alimenti.



- Gli scomparti del congelatore a due stelle sono utilizzati per conservare gli alimenti precotti, fare e conservare il ghiaccio e i gelati.
- Gli scomparti a una, due e tre stelle non sono appropriati per congelare alimenti freschi.
- Se il congelatore è stato lasciato vuoto per molto tempo, spegnerlo, sbrinare, pulire e asciugare il prodotto per proteggere il suo alloggiamento.



### **1.8 Manutenzione e pulizia in sicurezza**

- Non tirare la maniglia della porta se si deve spostare il prodotto per la pulizia. La maniglia potrebbe causare lesioni, se tirata troppo forte.
- Non pulire il prodotto spruzzando o versando acqua sul prodotto e al suo interno. Pericolo di scosse elettriche e incendi.
- Quando si pulisce il prodotto, non usare strumenti taglienti e abrasivi o detersivi domestici, detersivi, gas, benzina, diluente, alcol, vernice e sostanze simili. Utilizzare solo detersivi e agenti per la pulizia che non siano dannosi per gli alimenti contenuti nel prodotto.
- Non utilizzare mai detersivi a vapore o materiali per la pulizia a vapore per pulire il prodotto e scongelare il ghiaccio al suo interno. Il vapore che entra in contatto con le parti sotto tensione del frigorifero provoca cortocircuiti o scosse elettriche.
- Tenere l'acqua lontana dai circuiti elettronici o dal sistema di illuminazione del prodotto.
- Utilizzare un panno pulito e asciutto per rimuovere la polvere o un qualsiasi materiale estraneo sulle spine. Non utilizzare un panno umido o bagnato per pulire la spina. In caso contrario, vi è il rischio di incendio o scossa elettrica.

## 2 Istruzioni relative all'ambiente

### 2.1 Conformità con la direttiva WEEE e con la normativa sullo smaltimento dei prodotti di scarico.



Questo prodotto è conforme alla direttiva WEEE dell'UE (2012/19/EU). Questo prodotto porta un simbolo di classificazione per la strumentazione elettrica ed elettronica di scar-

to (WEEE).

Questo simbolo indica che questo prodotto alla fine della sua vita utile non deve essere smaltito con altri rifiuti domestici. Il dispositivo usato deve essere restituito al punto di raccolta ufficiale per il riciclaggio dei dispositivi elettrici ed elettronici. Per trovare questi sistemi di raccolta si prega di contattare le autorità locali o il rivenditore presso il quale è stato acquistato il prodotto. Ogni famiglia svolge un ruolo importante nel re-

cupero e nel riciclaggio di vecchie apparecchiature. Un adeguato smaltimento dell'apparecchiatura usata aiuta a prevenire potenziali conseguenze negative per l'ambiente e la salute umana.

### Conformità con la direttiva RoHS

Il prodotto acquistato è conforme con la Direttiva UE RoHS (2011/65/EU). Non contiene materiali dannosi e proibiti e indicati nella Direttiva.

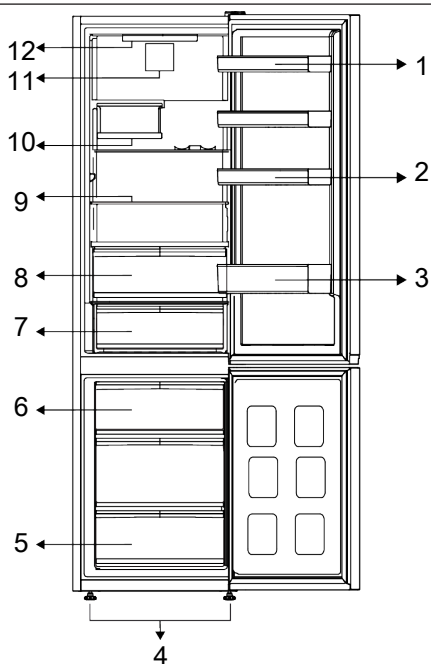


#### Informazioni sull'imballaggio

I materiali che compongono l'imballaggio del prodotto sono realizzati a partire da materiali riciclabili in conformità con le nostre Normative Ambientali Nazionali. Non smaltire i materiali dell'imballaggio congiuntamente ai rifiuti domestici o ad altri rifiuti. Portarli presso i punti di raccolta imballaggi indicati dalle autorità locali.

### 3 Il vostro frigorifero

IT




- 1 \* Ripiani porta regolabili
- 2 \* Porta uova
- 3 \* Ripiano per bottiglie
- 4 \* Gambe anteriori regolabili
- 5 \* Scomparto congelatore
- 6 \* Contenitore del ghiaccio
- 7 \* Cassetto per la conservazione a freddo
- 8 \* Crisper (Cassetto frutta e verdura)
- 9 \* Ripiani regolabili
- 10 \* Cestello porta-vino pieghevole
- 11 \* Ventola
- 12 \* Lampada di illuminazione

**\*Opzionale:** Le figure in questo manuale utente sono schematiche, e potrebbero non corrispondere esattamente al prodotto.

Qualora il prodotto non contenga le parti descritte, l'informazione riguarda altri modelli.

### 4 Installazione

 Leggere prima la sezione "Istruzioni di sicurezza"!

#### 4.1 Luogo idoneo per l'installazione

Rivolgersi al Servizio Autorizzato per l'installazione del prodotto. Per preparare il prodotto all'installazione, consultare le in-

formazioni contenute nel manuale utente e accertarsi che le utenze elettriche e idriche siano conformi a quanto necessario. In caso contrario, chiamare un elettricista e un idraulico per sistemare le utenze come necessario.

**AVVERTENZA:**

Il produttore non si assume alcuna responsabilità per gli eventuali danni causati dagli interventi eseguiti da personale non autorizzato.

**AVVERTENZA:**

Durante l'installazione, il cavo di alimentazione del prodotto deve essere scollegato. Il mancato rispetto di queste istruzioni potrebbe provocare morte o altre gravi lesioni!

**AVVERTENZA:**

Qualora la porta fosse troppo stretta per consentire il passaggio del prodotto, togliere la porta e ruotarla; qualora ciò non funzioni, contattare il servizio autorizzato.

- Per evitare vibrazioni, posizionare il prodotto su una superficie piana.
- Collocare il prodotto ad almeno a 30 cm dal termosifone, dalla stufa e da altre fonti di calore e ad almeno 5 cm da eventuali forni elettrici.
- Non esporre il prodotto alla luce solare diretta e non tenerlo in ambienti umidi.
- Il prodotto necessita di adeguata ventilazione per un funzionamento efficiente. Se in prodotto viene collocato in una alcova, lasciare almeno 5 cm di spazio tra il prodotto, il soffitto, i muri laterali e il muro retrostante.
- Controllare se il componente di protezione della parete posteriore è presente e nel suo alloggiamento (se fornito con il prodotto).
- Se il componente non è disponibile, o se è stato smarrito o è caduto, posizionare il prodotto in modo tale da lasciare almeno 5 cm di spazio libero tra il retro del prodotto e le pareti del locale. Lo spazio libero nella parte posteriore è importante per il funzionamento efficiente del prodotto.

## 4.2 Collegamenti elettrici



Non usare prolunghes o multi prese per il collegamento elettrico.



I cavi di alimentazione danneggiati vanno sostituiti dal servizio autorizzato.



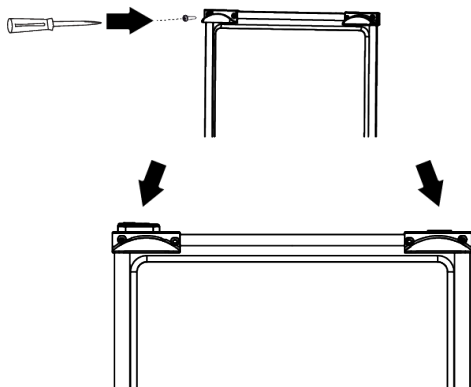
Quando vengono posizionati due frigoriferi l'uno a fianco dell'altro, lasciare una distanza di almeno 4 cm fra le due unità.

- La nostra azienda non si assume alcuna responsabilità per gli eventuali danni dovuti a un uso senza messa a terra e collegamento elettrico non conforme alle normative nazionali.
- Il cavo di corrente deve essere facilmente accessibile dopo l'installazione.
- Non utilizzare la spina multigruppo con o senza prolunga tra la presa a muro e il frigorifero.

## 4.3 Fissaggio dei cunei in plastica

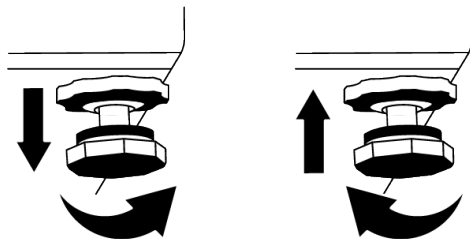
Per garantire una circolazione d'aria sufficiente fra il prodotto e la parete, servirsi dei cunei in plastica forniti in dotazione con il prodotto.

1. Per fissare i cunei, rimuovere le viti sul prodotto e usare le viti fornite in dotazione con i cunei.
2. Fissare 2 cunei in plastica sul coperchio della ventilazione, come indicato nella figura.



#### 5.4 Regolazione delle gambe

Qualora il prodotto non fosse in equilibrio, regolare le gambe anteriori regolabili, ruotandole verso destra o verso sinistra.



IT

#### 5.5 Avvertenza: superficie calda

Le pareti laterali del prodotto sono dotate di tubi di raffreddamento per migliorare il sistema generale di raffreddamento. L'elevata pressione del fluido potrebbe fluire attraverso queste superfici, causando il riscaldamento eccessivo delle superfici sulle pareti laterali. Ciò è normale e non richiede interventi di manutenzione. Fare attenzione quando si toccano queste aree.

## 5 Preparazione



Leggere prima la sezione "Istruzioni di sicurezza"!

### 5.1 Cosa fare per risparmiare energia

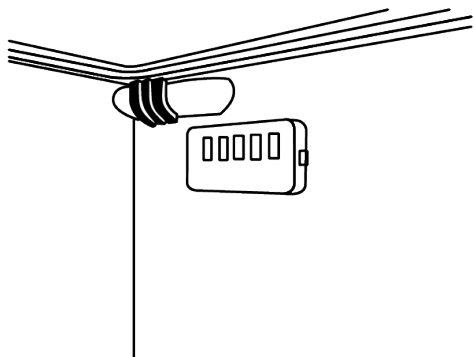


Collegare il prodotto a sistemi di risparmio energetico elettronici potrebbe danneggiare il prodotto.

- Questo apparecchio refrigerante non è destinato ad essere utilizzato come apparecchio da incasso.
- Non tenere aperte a lungo le porte del frigorifero.
- Non mettere alimenti caldi o bevande direttamente dentro al frigorifero.
- Non riempire eccessivamente il frigorifero; il blocco del flusso d'aria interno ne ridurrà la capacità di raffreddamento.
- Per poter caricare la massima quantità di cibo nello scomparto freezer del frigorifero, i cassetti superiori devono essere

estratti e il cibo deve essere collocato sui ripiani metallici/in vetro. Le informazioni sul volume netto e sul consumo energetico dichiarate nell'etichetta energetica del frigorifero sono state testate togliendo i cassetti superiori del reparto frigorifero e il secchiello del ghiaccio, facilmente rimovibile a mano.

- Per la conservazione, si raccomanda vivamente di utilizzare il cassetto sottostante.
- A seconda delle caratteristiche del prodotto, lo scongelamento degli alimenti surgelati nello scomparto raffreddatore garantirà un risparmio energetico preservando al tempo stesso la qualità degli alimenti.
- Accertarsi che gli alimenti non siano in contatto con il sensore di temperatura dello scomparto raffreddatore di seguito descritto.




- Il loro contatto con il sensore potrebbe aumentare, infatti, il consumo energetico dell'apparecchio
- Per garantire il risparmio energetico e tenere sempre gli alimenti nelle condizioni migliori, gli alimenti devono essere conservati utilizzando i cassetti dello scomparto raffreddatore.
- Le confezioni di alimenti non dovranno essere a diretto contatto con il sensore di calore situato nello scomparto freezer.


## 5.2 Uso previsto


Prima di iniziare a usare il frigorifero, accertarsi che tutti i preparativi necessari vengano eseguiti in conformità con le istruzioni contenute nelle sezioni "Istruzioni di sicurezza e relative all'ambiente" e "Installazione".


- Tenere il prodotto in funzione senza alimenti al suo interno per 6 ore e non aprire la porta a meno che ciò non sia assolutamente necessario.
- La variazione di temperatura causata dall'apertura e dalla chiusura della porta durante l'uso del prodotto potrebbe portare a normale formazione di condensa sul cibo posto sui ripiani della porta/del vano frigo e sui contenitori di vetro posti nel prodotto.

## 6 Funzionamento del prodotto

 Leggere prima la sezione "Istruzioni di sicurezza"!

 Si sentirà un suono quando viene attivato il compressore. È normale che il prodotto faccia rumore anche se il compressore non è in funzione, poiché il fluido e il gas potrebbero essere compressi nel sistema di raffreddamento.

 È normale che le estremità anteriori del frigorifero siano calde. Queste aree sono state progettate per riscaldarsi per evitare la condensa.

 Per alcuni modelli, il pannello indicatore si spegne automaticamente 1 minuto dopo la chiusura della porta. Si riattiva quando la porta è aperta o si preme un qualsiasi pulsante.

## 5.3 Classe climatica e definizioni

Si prega di fare riferimento alla classe climatica indicata sulla targhetta del dispositivo. Una delle seguenti informazioni è applicabile al proprio dispositivo secondo la classe climatica.

- **SN:** Clima temperato a lungo termine: Questo dispositivo di raffreddamento è progettato per l'uso a temperature ambiente tra 10 °C e 32 °C.
- **N:** Clima temperato: Questo dispositivo di raffreddamento è progettato per l'uso a temperature ambiente tra 16°C e 32 °C.
- **ST:** Clima subtropicale: Questo dispositivo di raffreddamento è progettato per l'uso a temperature ambiente tra 16°C e 38°C.
- **T:** Clima tropicale: Questo dispositivo di raffreddamento è progettato per l'uso a temperature ambiente tra 16°C e 43°C.

- Per accelerare le operazioni di scongelamento, non utilizzare attrezzi meccanici o altri utensili diversi da quelli raccomandati dal produttore.
- Non utilizzare mai parti del frigorifero, come la porta o i cassetti, come supporto o come gradini. Ciò potrebbe causare il ribaltamento del prodotto o il danneggiamento dei suoi componenti.
- Il prodotto dovrebbe essere usato unicamente per la conservazione di alimenti.
- Spegnerne la valvola dell'acqua se si è lontani da casa (ad esempio in vacanza) e si prevede di non utilizzare la macchinetta

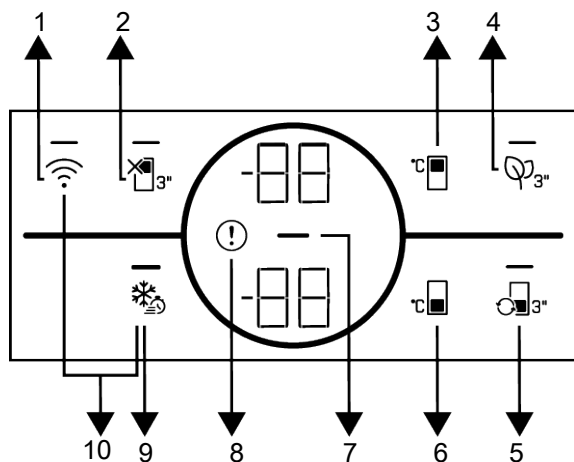
per il ghiaccio o l'erogatore d'acqua per un lungo periodo di tempo. In caso contrario, potrebbero verificarsi perdite d'acqua.

### Messa in pausa del programma

- Se non si intende usare il prodotto per un lungo periodo, scollegarlo dalla presa.
- Rimuovere gli alimenti per evitare cattivi odori.
- Aspettare che il ghiaccio si sciogla, pulire l'interno e lasciarlo asciugare, lasciare le porte aperte per evitare di danneggiare le plastiche interne del corpo dell'apparecchio.

## 7 Uso dell'apparecchio

### 7.1 Pannello di controllo del prodotto



- |   |  |
|---|--|
| 1 * Tasto wireless  | 2 * Funzione dello scomparto refrigeratore OFF (Vacanza)                   |
| 3 * Tasto di impostazione della temperatura dello scomparto refrigeratore | 4 * Tasto del modulo deodorante  |
| 5 * Tasto di conversione dello scomparto                                  | 6 * Tasto di impostazione della temperatura dello scomparto congelatore    |
| 7 * Indicatore della funzione di risparmio energetico (display off)       | 8 * Indicatore di stato d'errore   |
| 9 * Tasto di congelamento rapido  | 10 * Tasto per il ripristino delle impostazioni della connessione wireless |



Leggere prima la sezione "Istruzioni di sicurezza".

Le funzioni audio e video sul pannello indicatore assisteranno l'utente nell'utilizzo del frigorifero.

**\*Opzionale:** Le funzioni mostrate sono opzionali, ci potrebbero essere differenze di forma e posizione nelle funzioni che si trovano sul pannello indicatore dell'elettrodomestico.

## 1. Tasto wireless

Questo tasto viene utilizzato per effettuare una connessione wireless con il proprio prodotto tramite l'applicazione mobile HomeWhiz. Quando si preme il tasto per 3 secondi, sul display/schermo il simbolo di connessione wireless lampeggia lentamente (con intervalli di 0,5 secondi). A questo punto sul prodotto viene visualizzata la rete domestica. Dopo aver eseguito la connessione wireless con il prodotto, il simbolo della connessione wireless si illumina in modo fisso ed sarà possibile attivare/disattivare la connessione con una breve pressione su questo tasto. L'icona della connessione wireless lampeggia (con un intervallo di 0,2 secondi) fino a quando non viene stabilita la connessione. Quando la connessione è attiva, il LED rimane illuminato. Se la connessione non può essere stabilita per un lungo periodo di tempo, controllare le impostazioni per la connessione e consultare la sezione "Risoluzione dei problemi" del manuale utente. Per la connessione wireless sarà utilizzata l'applicazione HomeWhiz. I passaggi per eseguire la configurazione vengono spiegati attraverso l'applicazione durante il processo di configurazione. Sarà possibile accedere all'applicazione scansionando il codice QR sull'etichetta HomeWhiz dell'apparecchiatura. L'applicazione può essere scaricata dall'App Store o dal Play Store per dispositivi Android. Per i dettagli in merito visitare il sito <https://www.homewhiz.com/>.

## 2. Tasto funzione dello scomparto raffreddatore Off (Vacanza)

Per attivare la funzione vacanza premere il tasto per 3 secondi. La modalità vacanza è attivata e il LED sul tasto è illuminato. Sull'indicatore della temperatura dello scomparto di raffreddatore sarà visualizzato "-.-" e quindi non eseguirà il raffreddamento. Se viene attivata questa funzione, non si devono tenere gli alimenti nello scomparto raffreddatore. Gli altri scomparti continuano a raffreddare secondo le temperature impostate in precedenza. Tenere premuto nuovamente il tasto per 3 secondi per annullare questa funzione.

## 3. Tasto di impostazione della temperatura dello scomparto raffreddatore

Per lo scomparto raffreddatore è disponibile l'impostazione della temperatura. La pressione di questo tasto abiliterà l'impostazione della temperatura dello scomparto raffreddatore a 8 °C, 7 °C, 6 °C, 5 °C, 4 °C, 3 °C, 2 °C, e 1 °C.

## 4. Tasto del modulo deodorante

Premere questo tasto per 3 secondi per attivare/disattivare la funzione deodorante. Quando la funzione deodorante è attiva, il LED sul rispettivo tasto è illuminato. Quando la funzione è attiva, il modulo deodorante sarà azionato periodicamente.

## 5. Tasto di conversione dello scomparto

Premendo il tasto di conversione dello scomparto per 3 secondi, la sezione congelatore cambia modalità fra frigorifero/raffreddatore, off e congelatore (freezer). Quando funziona come scomparto frigorifero/raffreddatore, la temperatura dello scomparto sarà impostata a 4°C. In caso di modalità OFF, l'indicatore della temperatura dello scomparto visualizzerà "-.-".



## 6. Tasto di impostazione della temperatura dello scomparto Congelatore

L'impostazione della temperatura è disponibile per lo scomparto del congelatore. La pressione di questo tasto abiliterà l'impostazione della temperatura dello scomparto congelatore (freezer) a -18°C, -19°C, -20°C, -21°C, -22°C, -23°C e -24°C.

## 7. Indicatore della funzione di risparmio energetico (display off)

Quando la porta del prodotto non viene aperta o chiusa per un certo periodo di tempo, la funzione di risparmio energetico viene attivata automaticamente e il simbolo del risparmio energetico si illumina. Quando la funzione di risparmio energetico è attiva, tutti i simboli sul display, ad eccezione del simbolo del risparmio energetico, saranno spenti. Quando la funzione di risparmio energetico è attiva, la pressione di qualsiasi tasto o l'apertura della porta disattiverà la funzione di risparmio energetico e i segnali del display torneranno ai livelli normali. La funzione di risparmio energetico è una funzione attiva per impostazione predefinita e non può essere annullata.

## 8. Indicatore di stato d'errore

Questo indicatore sarà attivo quando il frigorifero non è in grado di eseguire un raffreddamento adeguato o in caso di errore del sensore. Sull'indicatore della temperatura dello scomparto congelatore verrà visualizzata la lettera "E"; sull'indicatore della temperatura dello scomparto refrigerante, invece, verranno visualizzati i numeri 1, 2, 3.

## 7.2 Conservare il cibo nello scomparto frigorifero

### Conservare il cibo nello scomparto frigorifero

- Le temperature dello scomparto aumentano notevolmente se la porta dello scomparto viene aperta e chiusa frequentemente e tenuta aperta per molto tempo; questo può ridurre la durata degli alimenti e causare il loro precoce deterioramento.

Questi numeri sull'indicatore definiscono il tipo di intervento necessario per lo specifico guasto. Se viene messo cibo caldo nello scomparto congelatore o si lascia la porta aperta per un periodo tempo prolungato, si illumina un punto esclamativo. Non si tratta di un guasto, questa avvertenza dovrà essere rimossa quando il cibo viene raffreddato o quando viene premuto un tasto qualsiasi.

## 9. Tasto di congelamento rapido

Quando si preme il tasto di congelamento rapido, il LED del tasto si illumina e si attiva la funzione di congelamento rapido. La temperatura dello scomparto Congelatore è impostata a -27°C. Premere nuovamente il tasto per annullare la funzione. La funzione di congelamento rapido sarà automaticamente annullata dopo 24 ore. Per congelare grandi quantitativi di alimenti freschi, premere il tasto di congelamento rapido prima di collocare gli alimenti all'interno dello scomparto congelatore.

## 10. Tasto per il ripristino delle impostazioni della connessione wireless



Per ripristinare le impostazioni di connessione wireless, i tasti Congelamento rapido e Connessione wireless devono essere premuti

simultaneamente per 3 secondi. Tutte le informazioni dell'utente registrate in precedenza vengono rimosse dal prodotto e le impostazioni della connessione wireless vengono ripristinate ai valori di fabbrica.

- Per non causare cambiamenti di odore e sapore, gli alimenti dovrebbero essere conservati in contenitori chiusi.
- Non conservare troppi alimenti nel frigorifero. Per ottenere un raffreddamento migliore e omogeneo, disporre gli alimenti separatamente in modo che l'aria fredda possa attraversarli.

- Garantire il flusso d'aria lasciando uno spazio tra gli alimenti e la parete interna. Se gli alimenti vengono appoggiati sulla parete posteriore potrebbero congelarsi.
- Portare i pasti caldi cotti a temperatura ambiente prima di metterli in frigorifero. Quindi, mettere il pasto tiepido nei ripiani inferiori del frigorifero. Non mettere i pasti tiepidi vicino agli alimenti che potrebbero facilmente deperirsi.
- Scongelare gli alimenti congelati nello scomparto degli alimenti freschi. In questo modo, è possibile raffreddare lo scomparto degli alimenti freschi utilizzando gli alimenti congelati così da risparmiare energia.
- Conservare la frutta tropicale acerba (mango, varietà di melone, papaya, banana, ananas) nel frigorifero potrebbe accelerare il processo di maturazione. Questo quindi non è raccomandato perché farà ridurre i tempi di conservazione.
- Cipolle, aglio, zenzero e altri ortaggi a radice dovrebbero essere conservati in condizioni di buio e freddo, non in frigorifero.
- Se si nota che un alimento si è deperito nel frigorifero, buttare via quell'alimento e pulire gli accessori che sono entrati in contatto con esso.
- Per raffreddare rapidamente zuppe e stufati, che sono cucinati in grandi pentole, è possibile metterli in frigorifero distribuendoli in contenitori poco profondi
- Non mettere gli alimenti non confezionati vicino alle uova.
- Conservare la frutta e la verdura separatamente e raggruppandola secondo la varietà (per esempio: mele con mele, carote con carote)
- Togliere le verdure verdi dal sacchetto di plastica e metterle in frigorifero dopo averle avvolte in un tovagliolo di carta o in un panno asciutto. Se prima di metterli in frigorifero questi alimenti sono stati lavati, ricordarsi di asciugarli.
- Per creare un ambiente umido e fornire un flusso d'aria a frutta e verdura, che sono inclini a seccarsi, conservarle nei sacchetti di plastica perforati o non sigillati.
- Tranne i casi in cui vi siano delle circostanze ambientali estreme, se il prodotto (sulla tabella dei valori nominali raccomandati) è impostato sui valori nominali specificati, gli alimenti manterranno la loro freschezza più a lungo sia nello scomparto prodotti freschi che nello scomparto congelatore.

Conservare gli alimenti in luoghi diversi a seconda delle loro proprietà:	
Alimenti	Posizione
Uova	Ripiano porta
Prodotti caseari (burro, formaggio)	Se disponibile, scomparto a zero gradi (per il cibo della colazione)
Frutta, vegetali e verdura a foglia verde	Scomparto per frutta e verdura, crisper o Scomparto EverFresh+ (se disponibile)
Carne fresca, pollame, pesce, salsicce, ecc. Cibi cotti	Se disponibile, scomparto a zero gradi (per il cibo della colazione)
Cibi pronti da servire, prodotti confezionati, cibi in scatola e sottaceti	Ripiani superiori o ripiano della porta
Bevande, bottiglie, spezie e snack	Ripiano porta

## Conservare il cibo nello scomparto congelatore (freezer)

- È possibile attivare la funzione di congelamento rapido 4-6 ore prima della funzione di congelamento ed eseguire così un raffreddamento più rapido.
- Prima di metterli nello scomparto congelatore, portare i pasti caldi a temperatura ambiente.
- Gli alimenti da congelare vanno suddivisi in porzioni a seconda della dimensione da consumare e vanno congelati in pacchetti separati.
- Consigliamo di confezionare gli alimenti prima di riporli all'interno del congelatore.
- Al fine di evitarne la scadenza, annotare la data, l'ora di congelamento e il nome dell'alimento sulla confezione, in base ai periodi di conservazione dei diversi prodotti alimentari.
- Consumare rapidamente gli alimenti che sono stati scongelati. Gli alimenti scongelati non possono essere ricongelati, a meno che siano cotti. Non è sicuro consumare i cibi freschi ricongelati senza cottura dopo che sono stati scongelati.
- Quando vengono congelati alimenti freschi, evitare che gli stessi entrino in contatto con alimenti già congelati. Altrimenti, i cibi congelati si scongeleranno.

## Conservare gli alimenti che sono venduti congelati

- Seguire sempre le istruzioni del produttore in relazione al tempo di conservazione degli alimenti. Non superare il tempo specificato in queste istruzioni!
- Per proteggere la qualità degli alimenti, mantenere l'intervallo di tempo tra l'acquisto e la conservazione il più breve possibile.
- Acquistare gli alimenti congelati che sono conservati a  $-18^{\circ}\text{C}$  o a temperature inferiori.
- Evitare di acquistare alimenti le cui confezioni sono coperte di ghiaccio ecc. Questo significa che il prodotto potrebbe essere stato parzialmente scongelato e ricongelato. La temperatura influisce sulla qualità degli alimenti.
- Non superare il tempo di conservazione raccomandato dal produttore dell'alimento. Togliere dal congelatore solo il cibo di cui si ha bisogno.
- Tranne i casi in cui vi siano delle circostanze ambientali estreme, se il prodotto (sulla tabella dei valori nominali raccomandati) è impostato sui valori nominali specificati, gli alimenti manterranno la loro freschezza più a lungo sia nello scomparto prodotti freschi che nello scomparto congelatore.
- Se lo scomparto degli alimenti freschi è impostato su una temperatura più bassa, la frutta e la verdura fresche potrebbero subire il parziale congelamento.

## Tabella dei valori di impostazione consigliati

Impostazione dello scomparto congelatore	Impostazione dello scomparto frigorifero	Consigli
$-22^{\circ}\text{C}$	$4^{\circ}\text{C}$	Questa è l'impostazione predefinita consigliata. Questa impostazione è raccomandata se la temperatura ambiente è inferiore a $30^{\circ}\text{C}$ .
$-20^{\circ}\text{C}$	$6^{\circ}\text{C}$	Queste impostazioni sono consigliate quando le temperature ambiente superano i $25^{\circ}\text{C}$ .
Congelamento rapido	$4^{\circ}\text{C}$	Usare quando si desidera congelare alimenti in modo rapido. Quando il processo è finito, tornerà alla sua posizione precedente.

## Congelamento rapido

1. Attivare la funzione di congelamento rapido 24 ore prima di inserire gli alimenti freschi.

2. 24 ore dopo aver premuto il pulsante, mettere gli alimenti che si desidera congelare sul ripiano superiore, che ha una capacità di congelamento superiore
3. La funzione di congelamento rapido verrà automaticamente disattivata dopo 48 ore.

### Dettagli per il congelatore

Conformemente agli standard IEC 62552, il congelatore deve avere la capacità di congelare 4,5 kg di alimenti a -18°C o a temperature inferiori a 25°C in 24 ore per ogni 100 litri di volume dello scomparto congelatore. Gli alimenti possono essere preservati solo per lunghi periodi di tempo a temperature uguali o inferiori a -18°.

Sarà possibile conservare gli alimenti freschi per mesi, all'interno del congelatore a temperature uguali o inferiori a -18°).

Per evitare uno scongelamento parziale, gli alimenti da congelare non devono entrare in contatto con gli altri alimenti già congelati all'interno del congelatore.

Bollire le verdure e filtrare l'acqua per estendere il tempo di conservazione del congelato. Collocare gli alimenti in sacchetti ermetici, dopo aver eseguito il filtraggio e il posizionamento all'interno del congelatore. Banane, pomodori, lattuga, sedano, uova bollite, patate e altri alimenti simili non dovrebbero essere congelati. Nel caso in cui questi alimenti si congelino, solo i valori nutrizionali e le qualità alimentari ne risentiranno negativamente. Non si tratta di una minaccia per la salute umana.

### Posizionamento degli alimenti

**Ripiani dello scomparto congelatore:** diversi alimenti congelati come carne, pesce, gelato, verdure ecc.

**Ripiani dello scomparto raffreddatore:** alimenti all'interno di pentole, piatti e contenitori con coperchio, uova (all'interno di un contenitore chiuso)

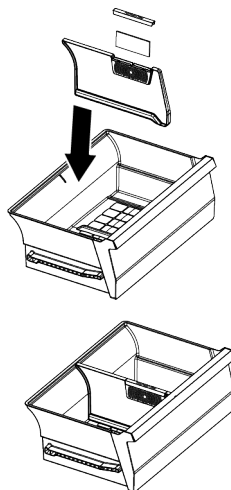
**Ripiani della porta dello scomparto refrigerante:** cibo o bevande piccole e confezionate

**Crisper:** Verdure e frutta

**Scomparto alimenti freschi:** prodotti di rosticceria (cibo per la colazione, prodotti a base di carne da consumare in breve tempo)

### 7.3 Crisper (Cassetto frutta e verdura)

Il cassetto frutta e verdura del frigorifero è stato pensato per tenere fresche le verdure preservando al tempo stesso il loro grado di umidità. A tal fine, all'interno del cassetto, la circolazione complessiva dell'aria fredda è più intensa. Consigliamo di tenere frutta e verdura all'interno di questo scomparto. Tenere le verdure con foglie verdi e i frutti in luoghi separati, al fine di prolungarne la durata.



### 7.4 Modulo fotocatalitico (Fresh-Guard)

Grazie a questo modulo, che è posizionato dietro il coperchio dell'evaporatore nello scomparto degli alimenti freschi, l'aria viene fatta passare attivamente sul filtro fotocatalitico rivestito di biossido di titanio e l'aria pulita viene fatta circolare all'interno. In questo modo, prima di permearsi con le superfici degli alimenti, i cattivi odori vengono rimossi dall'interno del frigorifero, e

allo stesso tempo, si ottiene una circolazione dell'aria igienica attraverso l'aria disinfettata. Questa funzione è guidata dalla ventola dello scomparto degli alimenti freschi situata dietro il coperchio dell'evaporatore, dal LED UV-A e dal filtro anti-odore rivestito di biossido di titanio. Per attivare/disattivare questo modulo, che garantisce l'igiene e la circolazione dell'aria senza odori nel frigorifero, premere e tenere premuto il pulsante (P3) per 3 secondi e assicurarsi che l'indicatore di funzione (P) appaia sullo schermo quando è attivo, e scompare dallo schermo quando è disattivo. Una volta attivata la funzione come descritto, essa opera periodicamente senza la necessità di premere nuovamente alcun tasto. Se lo sportello dello scomparto degli alimenti freschi viene aperto mentre il modulo è attivo, la ventola e il LED UV-A non funzioneranno temporaneamente, ma riprenderanno a funzionare una volta chiuso lo sportello. Nel caso di un'interruzione di corrente mentre il modulo è in funzione, il modulo riprenderà a funzionare dal punto in cui si è fermato una volta ripristinata la corrente.

**Nota:** Per prevenire i cattivi odori che potrebbero determinarsi con la miscela di odori provenienti da diversi tipi di alimenti, si consiglia di conservare gli alimenti aromatici come formaggio, olive e salumi nelle loro confezioni e con i coperchi chiusi. Per la sicurezza degli altri alimenti conservati e per prevenire i cattivi odori, raccomandiamo di togliere il più presto possibile dal frigorifero gli alimenti che potrebbero apparire rovinati.

**7.5 Area di conservazione a freddo dei prodotti lattiero-caseari**

**Cassetto per la conservazione a freddo**  
Nello scomparto frigorifero, il cassetto per la conservazione a freddo può raggiungere temperature più basse. Utilizzare questo cassetto per prodotti di rostitteria (salumi, salsicce, ecc.) e latticini che richiedono condizioni di conservazione più fredde, o

per carne, pollo o pesce da consumare rapidamente. Non conservare frutta e verdura in questo cassetto.

**7.6 Inversione del lato di apertura della porta**


Il lato di apertura della porta del frigorifero può essere invertito secondo il posto in cui lo si sistema. Nel caso sia necessario invertire il lato di apertura della porta, chiamare il servizio assistenza autorizzato più vicino.

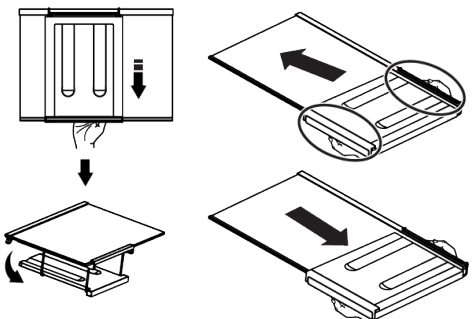
**7.7 Avviso di porta aperta**

Se la porta del prodotto rimane aperta per 1 minuto verrà emesso un allarme udibile. L'allarme sonoro si fermerà quando la porta dell'elettrodomestico viene chiusa oppure quando viene premuto qualsiasi pulsante sul display (se disponibile).

**7.8 Ripiano porta-vino pieghevole**

Permette all'utente di conservare le bottiglie di vino se necessario. Per utilizzare la sezione del ripiano, afferrare la parte in plastica e tirarla delicatamente verso il basso. Ora è possibile usare il porta-vino pieghevole.

 Si consiglia di riporre al massimo 2 bottiglie di vino sul ripiano porta-vino pieghevole.



Per raggruppare il ripiano porta-vino, rimuovere anzitutto il ripiano in vetro dal frigorifero. Posizionarlo sul ripiano in vetro spingendo la parte di plastica attraverso le scanala-

ture anteriori e posteriori come mostrato nella foto. Il prodotto sarà pronto all'uso con il porta-vino pieghevole.

Per togliere il ripiano porta-vino pieghevole, rimuovere anzitutto il ripiano in vetro dal frigorifero. Quindi, tenere la parte in plastica e tirarla in una qualsiasi direzione. Ora è possibile utilizzare il prodotto anche senza il porta-vino pieghevole.

## 7.9 Sostituzione della lampada

Quando la lampadina/LED usata per l'illuminazione del frigorifero deve essere sostituita, chiamare il servizio assistenza autorizzato.

La lampada o le lampade utilizzate in questa apparecchiatura non possono essere utilizzate per l'illuminazione della casa. L'uso previsto di questa lampada è quello di aiutare l'utente a mettere il cibo nel frigorifero/congelatore in modo sicuro e confortevole.

## 8 Manutenzione e pulizia



### ATTENZIONE:

Leggere prima la sezione "Istruzioni di sicurezza".



### ATTENZIONE:

Scollegare il frigorifero prima di pulirlo.

- Non utilizzare utensili affilati o abrasivi per pulire il prodotto. Non usare materiali come detersivi domestici, sapone, detersivi, gas, benzina, diluenti, alcool, cera, ecc.
- La polvere deve essere rimossa dalla griglia di ventilazione sul retro del prodotto almeno una volta all'anno (senza aprire il coperchio). Pulire il prodotto servendosi di un panno asciutto.
- Fare attenzione a tenere l'acqua lontana dalla copertura delle lampade e dalle altre componenti elettriche.
- Pulire la porta servendosi di un panno umido. Per rimuovere la porta e i vari ripiani, rimuovere prima tutto il contenuto.


## 7.10 AeroFlow

È un sistema di distribuzione dell'aria che fornisce una distribuzione omogenea della temperatura. La circolazione dell'aria assicura la distribuzione omogenea della temperatura nello scomparto di conservazione degli alimenti freschi, e le fluttuazioni di temperatura sono mantenute a livelli bassi. Non si verifica nessun soffio d'aria diretto sugli alimenti e questo aiuta a ridurre la perdita di umidità. Permette di mantenere la freschezza degli alimenti conservati nello scomparto degli alimenti freschi del frigorifero. In questo modo, gli alimenti sono conservati a temperature più stabili e il contatto con l'aria è ridotto. L'essiccazione e il restringimento degli alimenti a causa della perdita di umidità sono evitati per una maggiore e duratura freschezza.

Rimuovere i ripiani della porta sollevandoli verso l'alto. Pulire e asciugare i ripiani, poi fissare nuovamente in posizione facendo scorrere da sopra.

- Non usare acqua con cloro o prodotti detersivi sulla superficie esterna e sulle componenti rivestite in cromo. Il cloro provoca ruggine su queste superfici metalliche.
- Per evitare la deformazione della parte in plastica e rimuovere le impronte, non utilizzare utensili affilati e abrasivi, sapone, materiali per la pulizia della casa, detersivi, gas, benzina, vernice e sostanze simili. Per pulire, usare acqua tiepida e un panno morbido, quindi asciugare.
- Sui prodotti senza la funzione No-Frost, sulla parete posteriore dello scomparto congelatore potrebbero formarsi goccioline d'acqua e ghiaccio fino allo spessore di un dito. Non pulirla; non applicare mai olio o sostanze simili.

- Per pulire la superficie esterna del prodotto utilizzare un panno in micro-fibra leggermente inumidito. Spugne e altri tipi di panni per la pulizia potrebbero graffiare la superficie.
- Per pulire tutti i componenti rimovibili durante la pulizia della superficie interna del prodotto, lavare questi componenti con una soluzione delicata composta da sapone, acqua e carbonato. Risciacquare e asciugare completamente. Evitare il contatto dell'acqua con i componenti dell'illuminazione e con il pannello di controllo.



**ATTENZIONE:**  
Non utilizzare aceto, alcool o altri detersivi a base di alcool su nessuna delle superfici interne.

### **Superfici esterne in acciaio inossidabile**

Utilizzare un detergente non abrasivo per acciaio inossidabile e applicarlo con un panno morbido privo di pelucchi. Per lucidare, strofinare delicatamente la superficie

con un panno in micro-fibra inumidito con acqua e utilizzare una pelle di camoscio per lucidare a secco. Seguire sempre le venature in acciaio inossidabile.

### **Prevenzione dei cattivi odori**

Il prodotto è stato realizzato con materiali che non emettono cattivi odori. Il posizionamento degli alimenti in sezioni non adeguate e la pulizia delle superfici interne effettuata in modo non corretto potrebbe provocare cattivi odori.

- A tal fine consigliamo di pulire l'interno con acqua gassata ogni 15 giorni.
- Conservare gli alimenti in contenitori sigillati, poiché i microrganismi derivanti da alimenti tenuti in contenitori non sigillati causano cattivi odori.
- Non conservare alimenti scaduti e marci all'interno del frigorifero.

### **Protezione delle superfici in plastica**

L'olio rovesciato sulle superfici in plastica potrebbe danneggiare la superficie, e deve essere pulito immediatamente servendosi di acqua tiepida.

## **9 Guida alla risoluzione dei problemi**

Controllare questo elenco prima di contattare il servizio clienti. Questa operazione vi consentirà di risparmiare soldi. Questo elenco contiene le lamentele più frequenti che non riguardano problemi a livello di manodopera o materiali. Alcune funzioni qui indicate potrebbero non essere valide per il prodotto in questione.

### **Il frigorifero non funziona.**

- La presa di corrente non è stata inserita correttamente. >>> Spingerla fino a inserirla completamente nella presa.
- Il fusibile collegato alla presa che alimenta il prodotto, oppure il fusibile principale, è bruciato. >>> Controllare il fusibile.

### **Condensa sulla parete laterale dello scomparto raffreddatore (MULTI ZONE, COOL, CONTROL e FLEXI ZONE).**

- La porta viene aperta troppo spesso. >>> Fare attenzione a non aprire troppo frequentemente la porta del prodotto.

- L'ambiente è troppo umido. >>> Non installare il prodotto in ambienti umidi.
- Gli alimenti contenenti liquidi sono conservati in contenitori non sigillati. >>> Tenere gli alimenti contenenti liquidi in contenitori sigillati.
- La porta del prodotto viene lasciata aperta. >>> Non tenere aperte a lungo le porte del frigorifero.
- Il termostato è impostato su una temperatura molto fredda. >>> Impostare il termostato su una temperatura adeguata.

### **Il compressore non funziona.**

- In caso di improvviso black out, o nel caso in cui la spina venga tolta e poi reinserita, la pressione del gas nel sistema di raffreddamento del prodotto non è equilibrata, il che fa scattare la protezione termica del compressore. Il prodotto si riavvierà dopo circa 6 minuti. Qualora il prodotto non si riavvii dopo questo periodo, contattare l'assistenza.

- La modalità di scongelamento è attiva. >>> Si tratta di una condizione normale per un frigorifero con funzione di sbrinamento completamente automatica. Lo sbrinamento avviene a intervalli periodici.
- Il prodotto non è collegato. >>> Verificare che il cavo di alimentazione sia collegato.
- L'impostazione della temperatura è sbagliata. >>> Selezionare l'impostazione di temperatura adeguata.
- Non c'è corrente. >>> Il prodotto continuerà a funzionare normalmente quando verrà ripristinata la corrente elettrica.

### **Il rumore di funzionamento del frigorifero aumenta col passare del tempo.**

- Le prestazioni del prodotto potrebbero variare a seconda delle variazioni della temperatura ambiente. Ciò è normale e non è un'anomalia di funzionamento.

### **Il frigorifero funziona troppo spesso o troppo a lungo.**

- Il nuovo prodotto potrebbe essere più grande di quello precedente. I prodotti più grandi funzioneranno più a lungo.
- La temperatura della stanza potrebbe essere alta. >>> Il prodotto funzionerà normalmente per lunghi periodi di tempo con temperature ambiente superiori.
- Il prodotto potrebbe essere stato di recente collegato alla corrente, oppure al suo interno potrebbero essere stati recentemente aggiunti vari alimenti. >>> Al prodotto servirà più tempo per raggiungere la temperatura impostata, se collegato di recente, oppure nel caso in cui siano stati collocati nuovi alimenti al suo interno. Ciò è normale.
- Forse di recente sono state introdotte nel frigorifero grandi quantità di alimenti caldi. >>> Non mettere alimenti caldi direttamente dentro al frigorifero.
- Le porte sono state aperte frequentemente o tenute aperte a lungo. >>> L'aria calda che si muove all'interno provocherà un funzionamento più prolungato. Non aprire le porte con troppa frequenza.

- Le porte del congelatore o del raffreddatore potrebbero essere socchiuse. >>> Controllare che le porte siano totalmente chiuse.
- Il prodotto potrebbe essere impostato su una temperatura troppo bassa. >>> Impostare la temperatura su un livello più alto e attendere che il prodotto raggiunga la temperatura desiderata.
- La rondella della porta del raffreddatore o del congelatore potrebbe essere sporca, usurata, rotta o non correttamente configurata. >>> Pulire o sostituire la guarnizione. Le rondelle consumate e usurate faranno funzionare il prodotto più a lungo per conservare la temperatura attuale.

### **La temperatura del congelatore è molto bassa, ma la temperatura del raffreddatore è corretta.**

- La temperatura dello scomparto congelatore è impostata su un livello molto basso. >>> Impostare la temperatura dello scomparto congelatore su un livello più alto, quindi eseguire un controllo.

### **La temperatura del raffreddatore è molto bassa, ma la temperatura del congelatore è corretta.**

- Impostare la temperatura dello scomparto raffreddatore su un livello più alto, quindi eseguire un controllo. >>> Impostare la temperatura dello scomparto raffreddatore su un livello più alto, quindi eseguire un nuovo controllo.

### **Gli alimenti conservati nei cassetti dello scomparto raffreddatore sono congelati.**

- Impostare la temperatura dello scomparto raffreddatore su un livello più alto, quindi eseguire un controllo. >>> Impostare la temperatura dello scomparto raffreddatore su un livello più alto, quindi eseguire un nuovo controllo.

### **La temperatura nello scomparto raffreddatore e congelatore è troppo alta.**

- La temperatura dello scomparto raffreddatore è impostata su un livello molto alto. >>> L'impostazione della temperatura dello scomparto raffreddatore ha un ef-



fetto sulla temperatura dello scomparto congelatore. Attendere che la temperatura delle parti interessate raggiunga il livello sufficiente modificando la temperatura degli scomparti del raffreddatore o del congelatore.

- Le porte sono state aperte frequentemente o tenute aperte a lungo. >>> Non aprire le porte con troppa frequenza.
- La porta potrebbe essere socchiusa. >>> Chiudere completamente la porta.
- Il prodotto potrebbe essere stato di recente collegato alla corrente, oppure al suo interno potrebbero essere stati recentemente aggiunti vari alimenti. >>> Non si tratta di un'anomalia. >>> Al prodotto servirà più tempo per raggiungere la temperatura impostata, se collegato di recente, oppure nel caso in cui siano stati collocati nuovi alimenti al suo interno.
- Forse di recente sono state introdotte nel frigorifero grandi quantità di alimenti caldi. >>> Non mettere alimenti caldi direttamente dentro al frigorifero.

#### **Vibrazioni o rumore.**

- >>> Se il prodotto vibra quando viene spostato lentamente, regolare i supporti per equilibrarlo. Verificare inoltre che la superficie di appoggio sia sufficientemente resistente per supportarne il peso.
- Gli eventuali oggetti collocati sul prodotto potrebbero causare rumori. >>> Togliere gli eventuali elementi collocati sul prodotto.
- Il prodotto emette rumori, come ad esempio liquido che scorre, spruzzo, eccetera
- I principi operativi del prodotto prevedono flussi di liquido e di gas. >>> Ciò è normale e non è un'anomalia di funzionamento.

#### **C'è un rumore, simile a un soffio, che proviene dal prodotto.**

- Il prodotto si serve di una ventola per il processo di raffreddamento. Ciò è normale e non è un'anomalia di funzionamento.

#### **Si è formata condensa sulle pareti interne del prodotto.**

- Le temperature calde o umide aumenteranno la formazione di ghiaccio e la condensa. Ciò è normale e non è un'anomalia di funzionamento.
- Le porte sono state aperte frequentemente o tenute aperte a lungo. >>> Non aprire le porte con troppa frequenza; se la porta è aperta, chiuderla.
- La porta potrebbe essere socchiusa. >>> Chiudere completamente la porta.

#### **Si è formata condensa sulla superficie esterna del prodotto o fra le porte.**

- Le condizioni ambientali potrebbero essere umide, e ciò è normale. >>> La condensa si dissiperà alla riduzione dell'umidità.

#### **L'interno emette cattivi odori.**

- Il prodotto non è stato pulito regolarmente. >>> Pulire la superficie interna a intervalli regolari servendosi di spugna, acqua tiepida, e acqua gassata.
- Alcuni supporti e materiali da confezionamento potrebbero causare cattivi odori. >>> Servirsi di supporti confezionamento che non emettano cattivi odori.
- Gli alimenti sono stati collocati in supporti non sigillati. >>> Tenere gli alimenti in contenitori sigillati. I microrganismi potrebbero fuoriuscire dagli alimenti non sigillati causando così cattivi odori.
- Rimuovere gli eventuali alimenti scaduti o rovinati dal prodotto.

#### **La porta non si chiude correttamente.**

- Le confezioni degli alimenti potrebbero bloccare la porta. >>> Trovare una nuova posizione per gli alimenti che bloccano le porte.
- Il prodotto non è in posizione verticale, appoggiato per terra. >>> Regolare i supporti per l'equilibrio del prodotto.
- La superficie non è piatta o resistente >>> Assicurarsi che la superficie sia piatta e sufficientemente resistente per sostenere il prodotto.

### **Il cassetto frutta e verdura è inceppato.**

- Gli alimenti potrebbero entrare in contatto con la sezione superiore del cassetto.  
>>> Ri-organizzare gli alimenti nel cassetto.

### **Temperatura sulla superficie del prodotto.**

- Mentre il prodotto è in funzione, potrebbero generarsi temperature elevate tra le due porte, sui pannelli laterali e sulla griglia posteriore. Ciò è normale e non richiede interventi di manutenzione.

### **La ventola continua a funzionare quando la porta è aperta.**

- La ventola potrebbe continuare a funzionare quando la porta del congelatore è aperta.



**ATTENZIONE:** Qualora il problema persista dopo aver seguito le istruzioni contenute in questa selezione, contattare il proprio fornitore oppure un Servizio Autorizzato. Evitare in ogni caso di riparare il prodotto. Ciò è normale.

## **DISCLAIMER/AVVERTIMENTO**

Alcuni guasti (semplici) possono essere gestiti adeguatamente dall'utente finale senza che si verifichino problemi di sicurezza o di utilizzo non sicuro, a condizione che vengano eseguiti entro i limiti e in conformità alle seguenti istruzioni (vedere la sezione "Autoriparazione").

Pertanto, se non diversamente autorizzato nella sezione "Autoriparazione", per evitare problemi di sicurezza, le riparazioni devono essere effettuate da riparatori professionisti registrati. Un riparatore professionale registrato è un riparatore professionale a cui il produttore ha concesso l'accesso alle istruzioni e all'elenco delle parti di ricambio di questo prodotto secondo i metodi descritti negli atti legislativi ai sensi della direttiva 2009/125/CE.

**Solo gli agenti di assistenza (cioè i riparatori professionali autorizzati) raggiungibili tramite il numero di telefono indicato nel manuale d'uso/scheda di garanzia o tramite il rivenditore autorizzato possono, tuttavia, fornire assistenza in base ai termini della garanzia. Pertanto, si ricorda che le riparazioni effettuate da riparatori professionisti (non autorizzati da) Beko annulleranno la garanzia.**

### **Autoriparazione**

L'utente finale può effettuare l'autoriparazione dei seguenti pezzi di ricambio: maniglie, cerniere, vassoi, cestini e guarnizioni

dello sportello (un elenco aggiornato è disponibile anche su [support.beko.com](http://support.beko.com) a partire dal 1° marzo 2021).

Inoltre, per garantire la sicurezza del prodotto e prevenire il rischio di gravi lesioni, l'autoriparazione menzionata deve essere eseguita seguendo le istruzioni contenute nel manuale d'uso per l'autoriparazione o disponibili su [support.beko.com](http://support.beko.com). Per la sicurezza dell'utente, prima di tentare qualsiasi riparazione, staccare la spina del prodotto.

I tentativi di riparazione da parte degli utenti finali per parti non incluse in tale elenco e/o non seguendo le istruzioni contenute nei manuali d'uso per l'autoriparazione o disponibili su [support.beko.com](http://support.beko.com), potrebbero causare problemi di sicurezza non imputabili a Beko e invalideranno la garanzia del prodotto.

Pertanto, si raccomanda vivamente agli utenti finali di astenersi dal tentare di effettuare riparazioni che non rientrano nell'elenco dei pezzi di ricambio indicati, rivolgendosi in questi casi a riparatori professionali autorizzati o registrati. Al contrario, tali tentativi da parte degli utenti finali potrebbero causare problemi di sicurezza e danneggiare il prodotto, con conseguenti incendi, allagamenti, folgorazioni e gravi lesioni personali.

A titolo esemplificativo, ma non esaustivo, le seguenti riparazioni devono essere affidate a riparatori professionali autorizzati o registrati: compressore, circuito di raffreddamento, scheda principale, scheda inverter, scheda display, ecc.

Il produttore/venditore non può essere ritenuto responsabile in ogni caso di mancata osservanza di quanto sopra da parte degli utenti finali.

La disponibilità dei pezzi di ricambio del frigorifero acquistato è di 10 anni. Durante questo periodo, i pezzi di ricambio originali saranno disponibili per il corretto funzionamento del frigorifero.

La durata minima della garanzia del frigorifero acquistato è di 24 mesi.

Questo prodotto è dotato di una sorgente luminosa di classe energetica "G".

La sorgente luminosa di questo prodotto deve essere sostituita solo da un riparatore professionista

IT

Vedi anche

2 DISCLAIMER / WARNING [; 27]

## Παρακαλούμε διαβάστε πρώτα αυτό το εγχειρίδιο!

### Αγαπητέ Πελάτη





#### Παρακαλούμε διαβάστε αυτό το εγχειρίδιο πριν τη χρήση του προϊόντος.

Σας ευχαριστούμε που επιλέξατε αυτό το προϊόν Beko. Θα θέλαμε να επιτύχετε τη βέλτιστη απόδοση από αυτό το υψηλής ποιότητας προϊόν που έχει κατασκευαστεί με την τελευταία τεχνολογία. Για να το επιτύχετε αυτό, διαβάστε προσεκτικά αυτό το εγχειρίδιο και οποιαδήποτε άλλη τεκμηρίωση παρέχεται μαζί με το προϊόν πριν χρησιμοποιήσετε το προϊόν και φυλάξτε τα για μελλοντική αναφορά.





Τηρείτε όλες τις πληροφορίες και προειδοποιήσεις στο εγχειρίδιο χρήσης. Με αυτό τον τρόπο, θα προστατέψετε τον εαυτό σας και το προϊόν από κινδύνους που μπορεί να προκύψουν.

Φυλάξτε το εγχειρίδιο χρήσης. Συμπεριλάβετε αυτό το εγχειρίδιο με τη μονάδα, αν την παραδώσετε σε επόμενο κάτοχο.

#### Στο εγχειρίδιο χρήσης χρησιμοποιούνται τα παρακάτω σύμβολα:

- |  |  |
|--|--|
|  | Κίνδυνος που μπορεί να επιφέρει θάνατο ή τραυματισμό.                  |
|  | Σημαντικές πληροφορίες ή χρήσιμες συμβουλές σχετικά με την λειτουργία. |
|  | Διαβάστε το εγχειρίδιο χρήσης.   |
|  | Καύσιμα υλικά, προειδοποίηση για κίνδυνο φωτιάς.                       |

**ΕΙΔΟΠΟΙΗΣΗ** Ένας κίνδυνος που μπορεί να προκαλέσει υλικές ζημιές στο προϊόν ή στον περιγύρό του

		Η πρόσβαση στις πληροφορίες για το μοντέλο όπως είναι αποθηκευμένες στη βάση δεδομένων προϊόντων είναι εφικτή με την είσοδο στον ακόλουθο ιστότοπο και την αναζήτηση του αναγνωριστικού του μοντέλου (*) της συσκευής σας, που αναφέρεται στην ετικέτα ενεργειακής σήμανσης. <a href="https://eprel.ec.europa.eu/">https://eprel.ec.europa.eu/</a>
SUPPLIER'S NAME	MODEL IDENTIFIER → (*)	
		

<b>1</b>	<b>Οδηγίες Ασφαλείας .....</b>	<b>86</b>
1.1	Προβλεπόμενη χρήση .....	86
1.2	Ασφάλεια παιδιών, ευάλωτων ατόμων και κατοικίδιων .....	86
1.3	Ασφάλεια χρήσης ηλεκτρικού ρεύματος .....	87
1.4	Ασφάλεια χειρισμών .....	88
1.5	Ασφάλεια κατά την εγκατάσταση.	88
1.6	Ασφάλεια κατά τη λειτουργία .....	90
1.7	Ασφάλεια φύλαξης τροφίμων .....	93
1.8	Ασφάλεια κατά τη συντήρηση και τον καθαρισμό .....	93
<b>2</b>	<b>Οδηγίες σχετικά με το περιβάλ- λον.....</b>	<b>94</b>
2.1	Συμμόρφωση με την Οδηγία WEEE και τελική διάθεση του προϊόντος στο τέλος της ωφέλι- μης ζωής του .....	94
<b>3</b>	<b>Το ψυγείο σας .....</b>	<b>95</b>
<b>4</b>	<b>Εγκατάσταση .....</b>	<b>96</b>
4.1	Σωστή θέση εγκατάστασης .....	96
4.2	Σύνδεση στο ηλεκτρικό ρεύμα .....	96
4.3	.....	97
4.4	Ρύθμιση των ποδιών .....	97
4.5	Προειδοποίηση για θερμές επι- φάνειες .....	97
<b>5</b>	<b>Προετοιμασία .....</b>	<b>97</b>
5.1	Τι να κάνετε για να εξοικονομήτε ενέργεια .....	97
5.2	Πρώτη χρήση .....	98
5.3	Κατηγορία κλίματος και ορισμοί ..	98
<b>6</b>	<b>Χειρισμός του προϊόντος.....</b>	<b>98</b>
<b>7</b>	<b>Χρήση της συσκευής σας .....</b>	<b>99</b>
7.1	Πίνακας ελέγχου του προϊόντος ..	99
7.2	Φύλαξη τροφίμων στον θάλαμο συντήρησης .....	101
7.3	Συρτάρι λαχανικών .....	104
7.4	Φωτοκαταλυτική μονάδα (FreshGuard).....	104
7.5	Περιοχή Ψυχρής φύλαξης Γαλα- κτοκομικών Προϊόντων .....	105
7.6	Αντιστροφή της πλευράς ανοίγ- ματος των θυρών .....	105
7.7	Ειδοποίηση ανοιχτής πόρτας .....	105
7.8	Αναδιπλούμενη βάση κρασιών....	105

7.9	Αντικατάσταση του λαμπτήρα φωτισμού .....	106
7.10	AeroFlow .....	106
<b>8</b>	<b>Συντήρηση και καθαρισμός.....</b>	<b>106</b>
<b>9</b>	<b>Αντιμετώπιση προβλημάτων.....</b>	<b>107</b>

## 1 Οδηγίες Ασφαλείας

- Η ενότητα αυτή περιλαμβάνει τις οδηγίες ασφαλείας που είναι απαραίτητες για την αποτροπή του κινδύνου τραυματισμού ατόμων ή υλικών ζημιών.
- Η εταιρεία μας δεν θα φέρει καμία ευθύνη για ζημιές που ενδέχεται να προκύψουν αν δεν τηρηθούν οι παρούσες οδηγίες.



Πάντα αναθέτετε τις εργασίες εγκατάστασης και επισκευής στον κατασκευαστή, σε εξουσιοδοτημένο σέρβις ή σε ένα άτομο που θα ορίσει η εταιρεία εισαγωγής.



Χρησιμοποιείτε μόνο γνήσια ανταλλακτικά και αξεσουάρ.



Μην επισκευάσετε ή αντικαταστήσετε μόνοι σας οποιοδήποτε εξάρτημα του προϊόντος, εκτός αν αυτό προβλέπεται ρητά στο εγχειρίδιο χρήσης.



Μην πραγματοποιήσετε καμία τροποποίηση στο προϊόν.

### 1.1 Προβλεπόμενη χρήση

- Αυτό το προϊόν δεν είναι κατάλληλο για επαγγελματική χρήση και δεν πρέπει να χρησιμοποιηθεί για σκοπό άλλον από την προβλεπόμενη χρήση του.

- Το προϊόν αυτό προορίζεται για χρήση σε εσωτερικούς χώρους, όπως κατοικίες, ή παρόμοιους.

Για παράδειγμα:

Σε κουζίνες προσωπικού καταστημάτων, γραφείων και άλλων χώρων εργασίας.

Σε αγροικίες.

Σε χώρους ξενοδοχείων, μοτέλ ή άλλων εγκαταστάσεων διαμονής που χρησιμοποιούνται από τους πελάτες.

Σε ξενώνες ή παρόμοια περιβάλλοντα.

Σε υπηρεσίες κέτερινγκ και παρόμοιες εφαρμογές μη λιανικής πώλησης.

- Το προϊόν αυτό δεν πρέπει να χρησιμοποιείται σε ανοικτά ή περικλειστά εξωτερικά περιβάλλοντα, όπως σε σκάφη, τροχόσπιτα, μπαλκόνια ή βεράντες. Η έκθεση του προϊόντος σε βροχή, χιόνι, ήλιο ή άνεμο μπορεί να προκαλέσει κίνδυνο πυρκαγιάς.



### 1.2 Ασφάλεια παιδιών, ευάλωτων ατόμων και κατοικιδίων

- Το προϊόν αυτό επιτρέπεται να χρησιμοποιείται από παιδιά ηλικίας 8 ετών και άνω και από άτομα με ανεπαρκώς ανεπτυγμένες σωματικές, αισθητηρια-

κές ή διανοητικές ικανότητες ή με έλλειψη εμπειρίας και γνώσης, αν τα άτομα αυτά βρίσκονται υπό επιτήρηση ή στα άτομα αυτά έχει δοθεί εκπαίδευση σχετικά με την ασφαλή χρήση της συσκευής και τους κινδύνους που ενέχονται.

- Παιδιά μεταξύ 3 και 8 ετών επιτρέπεται να τοποθετούν και να αφαιρούν τρόφιμα μέσα στο/ από το ψυκτικό προϊόν.
- Τα ηλεκτρικά προϊόντα είναι επικίνδυνα για παιδιά και κατοικίδια. Τα παιδιά και τα κατοικίδια δεν πρέπει να παίζουν με το προϊόν, ούτε να ανεβαίνουν πάνω του ή να μπαίνουν μέσα.
- Οι εργασίες καθαρισμού και συντήρησης από τον χρήστη δεν πρέπει να γίνονται από παιδιά, εκτός αν αυτά βρίσκονται υπό επίβλεψη ενήλικα.
- Κρατάτε τα υλικά συσκευασίας μακριά από παιδιά. Κίνδυνος τραυματισμού και ασφυξίας.

Πριν απορρίψετε παλιά προϊόντα που δεν θα χρησιμοποιηθούν πια:

1. Αποσυνδέστε το καλώδιο ρεύματος από την πρίζα ρεύματος δικτύου.
2. Κόψτε το καλώδιο ρεύματος και αφαιρέστε το από τη συσκευή μαζί με το φιλ.

3. Μην αφαιρέσετε τα ράφια και τα συρτάρια του προϊόντος, για να αποτρέψετε την είσοδο παιδιών στη συσκευή.
  4. Αφαιρέστε τις πόρτες.
  5. Αποθηκεύστε το προϊόν ώστε να μην μπορεί να ανατραπεί.
  6. Μην επιτρέπετε σε παιδιά να παίζουν με το αχρηστευμένο προϊόν.
- Μην απορρίψετε το προϊόν σε φωτιά. Κίνδυνος έκρηξης.
  - Αν η πόρτα του προϊόντος διαθέτει κλειδαριά, κρατήστε το κλειδί μακριά από παιδιά.



### 1.3 Ασφάλεια χρήσης ηλεκτρικού ρεύματος

- Το προϊόν δεν πρέπει να είναι συνδεδεμένο στην πρίζα κατά τις εργασίες εγκατάστασης, συντήρησης, καθαρισμού, επισκευής και μεταφοράς.
- Αν υποστεί ζημιά το καλώδιο ρεύματος, αυτό πρέπει να επισκευαστεί μόνο από εξουσιοδοτημένο σέρβις, για την αποφυγή τυχόν κινδύνων.
- Μην συμπιέσετε το καλώδιο κάτω από το προϊόν ή στο πίσω μέρος του προϊόντος. Μην τοποθετείτε βαριά αντικείμενα πάνω στο καλώδιο ρεύματος. Το καλώδιο ρεύματος δεν πρέπει να είναι λυγισμένο, συμπιεσμένο ούτε να έρχεται σε επαφή με οποιαδήποτε πηγή θερμότητας.

- Μη χρησιμοποιείτε καλώδιο επέκτασης, πολύπριζο ή τροφοδοτικό για τη λειτουργία του προϊόντος.
- Τα φορητά πολύπριζα ή τα φορητά τροφοδοτικά μπορεί να υπερθερμανθούν και να προκαλέσουν φωτιά. Επομένως, μην έχετε πολύπριζο ή φορητά τροφοδοτικά πίσω από το προϊόν ή κοντά σε αυτό.
- Μη συνδέσετε το καλώδιο ρεύματος του προϊόντος σε πρίζα που δεν είναι καλά στερεωμένη ή που έχει υποστεί ζημιά. Αυτοί οι τύποι συνδέσεων μπορεί να υπερθερμανθούν και να προκαλέσουν φωτιά.
- Το φως θα πρέπει να είναι εύκολα προσβάσιμο. Αν δεν είναι εφικτό αυτό, πρέπει να υπάρχει διαθέσιμος στην ηλεκτρική εγκατάσταση ένα μηχανισμός που συμμορφώνεται με τη νομοθεσία περί ηλεκτρικών εγκαταστάσεων και αποσυνδέει όλους τους ακροδέκτες από την παροχή ρεύματος δικτύου (ασφάλεια, διακόπτης, γενικός διακόπτης κλπ.).
- Μην αγγίζετε το φως ρευματοληψίας με υγρά χέρια.
- Κατά την αποσύνδεση της συσκευής από την πρίζα, μην τραβάτε το καλώδιο ρεύματος, αλλά το φως.



#### **1.4 Ασφάλεια χειρισμών**

- Το προϊόν είναι βαρύ, μην το χειρίζεστε μόνοι σας.
- Μην κρατάτε το προϊόν από την πόρτα του κατά τους χειρισμούς του.
- Προσέχετε να μην προξενήσετε ζημιά στο σύστημα ψύξης και στους σωλήνες, κατά τον χειρισμό του προϊόντος. Μη χρησιμοποιείτε το προϊόν αν οι σωλήνες έχουν υποστεί ζημιά, αλλά επικοινωνήστε με ένα εξουσιοδοτημένο σέρβις.



#### **1.5 Ασφάλεια κατά την εγκατάσταση**

- Για την εγκατάσταση του προϊόντος επικοινωνήστε με το Εξουσιοδοτημένο Σέρβις. Για να προετοιμάσετε το προϊόν για χρήση, δείτε τις πληροφορίες στο εγχειρίδιο χρήσης και βεβαιωθείτε ότι οι παροχές ρεύματος και νερού συμμορφώνονται με τις απαιτήσεις. Αν όχι, καλέστε έναν εξειδικευμένο ηλεκτρολόγο και υδραυλικό για να διαμορφώσουν τις παροχές όπως χρειάζεται. Σε αντίθετη περίπτωση μπορεί να προκληθούν ηλεκτροπληξία, φωτιά, προβλήματα με το προϊόν ή τραυματισμός.



- Ελέγξτε το προϊόν για τυχόν ζημιά, πριν την εγκατάστασή του. Μην επιτρέψετε την εγκατάσταση του προϊόντος αν έχει υποστεί ζημιά.
- Τοποθετήστε το προϊόν πάνω σε μια καθαρή, επίπεδη και σκληρή επιφάνεια και ισοροπήστε το χρησιμοποιώντας τα ρυθμιζόμενα πόδια του. Διαφορετικά, το ψυγείο μπορεί να ανατραπεί και να προκαλέσει τραυματισμούς.
- Το προϊόν πρέπει να εγκατασταθεί σε ένα ξηρό και καλά αεριζόμενο περιβάλλον. Μην έχετε χαλιά, πατάκια ή παρόμοια καλύμματα δαπέδου κάτω από το προϊόν. Αυτό μπορεί να προκαλέσει κίνδυνο φωτιάς λόγω ανεπαρκούς αερισμού!
- Μην φράζετε ή καλύπτετε τα ανοίγματα αερισμού. Διαφορετικά, η κατανάλωση ρεύματος αυξάνεται, και μπορεί να προκληθεί ζημιά στο προϊόν.
- Το προϊόν δεν πρέπει να συνδέεται σε συστήματα παροχής ρεύματος όπως ηλιακά συστήματα. Διαφορετικά, το προϊόν μπορεί να υποστεί ζημιά λόγω απότομων αλλαγών της ηλεκτρικής τάσης!
- Όσο περισσότερο ψυκτικό μέσο περιέχει ένα ψυγείο, τόσο μεγαλύτερο θα πρέπει να είναι το δωμάτιο εγκατάστασης. Σε πολύ μικρά δωμάτια μπορεί να προκύψει εύφλεκτο μείγμα αερίου-αέρα σε περίπτωση διαρροής αερίου από το ψυκτικό σύστημα. Απαιτείται τουλάχιστον 1 m<sup>3</sup> όγκου για κάθε 8 γραμμάρια ψυκτικού μέσου. Η ποσότητα ψυκτικού μέσου που περιέχεται στο προϊόν αναφέρεται στην Πινακίδα Τύπου του.
- Η θέση εγκατάστασης του προϊόντος δεν πρέπει να είναι εκτεθειμένη σε άμεση ηλιακή ακτινοβολία και δεν πρέπει να είναι κοντά σε πηγή θερμότητας όπως κουζίνες μαγειρέματος, σώματα καλοριφέρ κλπ. Αν δεν μπορείτε να αποφύγετε την εγκατάσταση του προϊόντος κοντά σε πηγή θερμότητας, πρέπει να χρησιμοποιήσετε μια κατάλληλη μονωτική πλάκα και να βεβαιωθείτε ότι η ελάχιστη απόσταση από την πηγή θερμότητας πρέπει να συμμορφώνεται με τα παρακάτω:
  - Τουλάχιστον 30 cm από πηγές θερμότητας όπως κουζίνες μαγειρέματος, φούρνους, θερμαντικά σώματα και συσκευές θέρμανσης κλπ.
  - Και τουλάχιστον 5 cm από ηλεκτρικούς φούρνους.
- Το προϊόν σας διαθέτει κλάση προστασίας I.

- Συνδέετε το προϊόν σε γειωμένη πρίζα που συμμορφώνεται με τις τιμές τάσης, ρεύματος και συχνότητας που αναφέρονται στην πινακίδα τύπου του. Η πρίζα πρέπει να προστατεύεται από ασφάλεια 10 A – 16 A. Η εταιρία μας δεν φέρει ευθύνη για τυχόν ζημιές λόγω χρήσης χωρίς γείωση και χωρίς σύνδεση ρεύματος που συμμορφώνεται με τους τοπικούς και εθνικούς κανονισμούς.
- Το καλώδιο παροχής ρεύματος του προϊόντος πρέπει να είναι αποσυνδεδεμένο κατά την εγκατάσταση. Διαφορετικά, μπορεί να προκύψει κίνδυνος ηλεκτροπληξίας και τραυματισμού!
- Μη συνδέετε το καλώδιο ρεύματος του προϊόντος σε πρίζες που δεν είναι καλά στερεωμένες, έχουν φύγει από τη θέση τους, είναι σπασμένες ή έχουν λερωθεί με ακαθαρσίες ή λάδια. Αυτοί οι τύποι συνδέσεων μπορεί να προκαλέσουν υπερθέρμανση και φωτιά.
- Τοποθετήστε το καλώδιο ρεύματος και τους εύκαμπτους σωλήνες (αν υπάρχουν) του προϊόντος με τρόπο ώστε να μην κινδυνεύουν να προκαλέσουν παραπάτημα.
- Η διείδυση υγρασίας και υγρών σε εξαρτήματα υπό τάση ή στο καλώδιο ρεύματος μπορεί να προκαλέσει βραχυκύκλωμα. Για το λόγο αυτό, μη χρησιμοποιείτε το προϊόν σε περιβάλλον με υγρασία ή σε περιοχές όπου μπορεί να πισιλιστεί νερό (π.χ. γκαράζ, δωμάτιο πλυντηρίου κλπ.). Αν το ψυγείο βραχεί με νερό, αποσυνδέστε το από την πρίζα και επικοινωνήστε με ένα εξουσιοδοτημένο σέρβις.
- Μη συνδέσετε ποτέ το ψυγείο σας σε διατάξεις εξοικονόμησης ενέργειας. Αυτά τα συστήματα είναι επιβλαβή για το προϊόν

### **1.6 Ασφάλεια κατά τη λειτουργία**

- Ποτέ μη χρησιμοποιήσετε χημικούς διαλύτες στο προϊόν. Αυτά τα υλικά δημιουργούν κίνδυνο έκρηξης.
- Σε περίπτωση βλάβης του προϊόντος, αποσυνδέστε το από την πρίζα και μην το θέσετε πάλι σε λειτουργία έως ότου επισκευαστεί από το εξουσιοδοτημένο σέρβις. Υπάρχει κίνδυνος ηλεκτροπληξίας!
- Μην τοποθετείτε πάνω ή κοντά στο προϊόν πηγές φλόγας (π.χ. κεριά, τσιγάρα κλπ.).

- Μην ανεβαίνετε πάνω στο προϊόν. Κίνδυνος πτώσης και τραυματισμού!
- Μην προξενήσετε ζημιά στους σωλήνες του συστήματος ψύξης χρησιμοποιώντας αιχμηρά και μυτερά αντικείμενα. Το ψυκτικό μέσο που εκτοξεύεται σε περίπτωση διάτρησης των σωλήνων αερίου, των επεκτάσεων σωλήνων ή των επιστρώσεων της πάνω επιφάνειας, μπορεί να προκαλέσει ερεθισμό του δέρματος και τραυματισμό των ματιών.
- Μην τοποθετείτε και χρησιμοποιείτε ηλεκτρικές συσκευές μέσα σε ψυγεία/καταψύκτες εκτός αν αυτό υποδεικνύεται από τον κατασκευαστή.
- Αποφεύγετε την παγίδευση οποιοδήποτε τμήματος των χεριών ή του σώματός σας σε οποιαδήποτε κινούμενα μέρη στο εσωτερικό του προϊόντος. Προσέχετε να μην πιαστούν τα δάκτυλά σας ανάμεσα στο ψυγείο και την πόρτα του. Προσέχετε όταν ανοίγετε και κλείνετε την πόρτα ενώ υπάρχουν γύρω παιδιά.
- Μην τοποθετείτε παγωτό, παγάκια ή κατεψυγμένα τρόφιμα στο στόμα σας αμέσως μόλις αφαιρέσετε αυτά τα είδη από τον καταψύκτη. Κίνδυνος κρουσπαγήματος!
- Μην αγγίζετε με υγρά χέρια τα εσωτερικά τοιχώματα, τα μεταλλικά μέρη του καταψύκτη ή τρόφιμα που φυλάσσετε μέσα στον καταψύκτη. Κίνδυνος κρουσπαγήματος!
- Μην τοποθετείτε στον θάλαμο καταψύκτη κουτιά αναψυκτικών ή μεταλλικά κουτιά και μπουκάλια που περιέχουν υγρά που μπορεί να παγώσουν. Τα μεταλλικά κουτιά ή τα μπουκάλια μπορούν να εκραγούν. Κίνδυνος τραυματισμού και υλικών ζημιών!
- Μη χρησιμοποιείτε ή τοποθετείτε κοντά στο ψυγείο υλικά που είναι ευαίσθητα στη θερμοκρασία όπως εύφλεκτα σπρέι, εύφλεκτα αντικείμενα, ξηρό πάγο ή άλλα χημικά. Κίνδυνος φωτιάς και έκρηξης!
- Μη φυλάσσετε μέσα στο προϊόν εκρηκτικά υλικά όπως δοχεία αεροζόλ που περιέχουν εύφλεκτα υλικά.
- Μην τοποθετείτε πάνω στο προϊόν ανοικτά δοχεία που περιέχουν υγρά. Τυχόν πιπίλισμα νερού πάνω σε ένα ηλεκτρικό εξάρτημα μπορεί να προκαλέσει κίνδυνο ηλεκτροπληξίας ή φωτιάς.
- Το προϊόν αυτό δεν προορίζεται για φύλαξη και ψύξη φαρμάκων, πλάσματος αίματος, εργαστηριακών παρασκευασμάτων ή παρόμοιων υλικών

- και προϊόντων που υπόκεινται στην Οδηγία περί Ιατροτεχνολογικών προϊόντων.
- Αν το προϊόν χρησιμοποιηθεί αντίθετα με την προβλεπόμενη χρήση του, μπορεί να προκαλέσει ζημιά ή αλλοίωση των προϊόντων που φυλάσσονται στο εσωτερικό του.
  - Αν το ψυγείο σας διαθέτει μπλε φως, μην κοιτάζετε αυτό το φως με χρήση οπτικών διατάξεων. Μην κοιτάζετε παρατεταμένα απευθείας σε φως LED UV (υπεριώδους ακτινοβολίας). Οι υπεριώδεις ακτίνες μπορεί να προκαλέσουν καταπόνηση των ματιών.
  - Μην τοποθετείτε μέσα στο προϊόν περισσότερα τρόφιμα από τη χωρητικότητά του. Μπορεί να προκύψουν τραυματισμοί ή ζημιές αν πέσουν τα περιεχόμενα του ψυγείου καθώς ανοίγει η πόρτα. Παρόμοια προβλήματα μπορεί επίσης να προκύψουν αν τοποθετηθεί αντικείμενο πάνω στο προϊόν.
  - Για την αποφυγή τραυματισμών, να βεβαιώνετε ότι έχετε καθαρίσει όλον τον πάγο και το νερό που μπορεί να έχει πέσει ή χυθεί στο δάπεδο.
  - Αλλάζετε θέσεις στα ράφια/στις θήκες μπουκαλιών στην πόρτα του ψυγείου μόνο όταν αυτά είναι κενά. Κίνδυνος τραυματισμού!
  - Μην τοποθετείτε πάνω στο προϊόν αντικείμενα που μπορεί να πέσουν ή να ανατραπούν. Αυτά τα αντικείμενα μπορεί να πέσουν κατά το άνοιγμα ή κλείσιμο της πόρτας και να προκαλέσουν τραυματισμούς και/ή υλικές ζημιές.
  - Μην χτυπάτε τις γυάλινες επιφάνειες και μην τους ασκείτε υπερβολική πίεση. Αν σπάσει το γυαλί μπορεί να προκαλέσει τραυματισμούς και/ή υλικές ζημιές.
  - Το σύστημα ψύξης του προϊόντος περιέχει το ψυκτικό μέσο R600a. Ο τύπος ψυκτικού μέσου που χρησιμοποιείται στο προϊόν αναφέρεται στην πινακίδα τύπου. Αυτό το αέριο είναι εύφλεκτο. Επομένως, προσέχετε να μην προξενήσετε ζημιά στο σύστημα ψύξης και στους σωλήνες κατά τους χειρισμούς του προϊόντος. Σε περίπτωση ζημιών στους σωλήνες:
    1. Μην αγγίζετε το προϊόν ή το καλώδιο ρεύματος.

2. Κρατάτε το προϊόν μακριά από δυνητικές πηγές φωτιάς που μπορούν να προκαλέσουν ανάφλεξη του προϊόντος.
3. Αερίστε την περιοχή όπου είναι τοποθετημένο το προϊόν. Μη χρησιμοποιήσετε ανεμιστήρα.
4. Επικοινωνήστε με Εξουσιοδοτημένο Σέρβις.
5. Αν το προϊόν έχει υποστεί ζημιά και παρατηρήσετε διαρροή αερίου, μείνετε μακριά από το αέριο. Το αέριο μπορεί να προκαλέσει κρουσπάγμα αν έρθει σε επαφή με το δέρμα σας.

### 1.7 Ασφάλεια φύλαξης τροφίμων

Παρακαλούμε να λάβετε σοβαρά υπόψη σας τις ακόλουθες προειδοποιήσεις, για να αποφύγετε αλλοίωση των τροφίμων:

- Αν αφήνετε τις πόρτες ανοιχτές για πολύ χρόνο, μπορεί να προκληθεί αύξηση της θερμοκρασίας στο εσωτερικό του προϊόντος.
- Καθαρίζετε τακτικά τα προσπελάσιμα συστήματα αποστράγγισης που έρχονται σε επαφή με τρόφιμα.
- Καθαρίζετε τα δοχεία νερού που δεν έχουν χρησιμοποιηθεί για 48 ώρες και τα συστήματα που τροφοδοτούνται με νερό

δικτύου αν δεν έχουν χρησιμοποιηθεί για περισσότερες από 5 ημέρες.

- Φυλάσσετε τα νωπά προϊόντα κρέατος και ψαριών στα κατάλληλα διαμερίσματα στο εσωτερικό του προϊόντος. Με αυτόν τον τρόπο δεν θα στάζουν πάνω σε άλλα τρόφιμα ούτε θα έρχονται σε επαφή με αυτά.
- Χρησιμοποιούνται διαμερίσματα καταψύκτη δύο αστέρων για αποθήκευση προ-κατεψυγμένων τροφίμων και για την παρασκευή και φύλαξη πάγου και παγωτού.
- Τα διαμερίσματα ενός, δύο και τριών αστέρων δεν είναι κατάλληλα για την κατάψυξη νωπών τροφίμων.
- Αν το ψυκτικό προϊόν έχει παραμείνει κενό για μεγάλο χρονικό διάστημα, απενεργοποιήστε το, πραγματοποιήστε απόψυξη, καθαρίστε και στεγνώστε το, για προστασία του περιβλήματος του προϊόντος.

### 1.8 Ασφάλεια κατά τη συντήρηση και τον καθαρισμό

- Αποσυνδέστε το προϊόν από την πρίζα πριν το καθαρίσετε και πριν αρχίσετε εργασίες συντήρησης.
- Μην τραβάτε τη λαβή της πόρτας του προϊόντος για να το μετακινήσετε όπως π.χ. για να

το καθαρίσετε. Η λαβή μπορεί να προκαλέσει τραυματισμούς αν τραβηχτεί πολύ δυνατά.

- Μη βάζετε τα χέρια σας κλπ. κάτω από το ψυγείο. Μπορεί να σφηνώσουν ή να προκληθεί τραυματισμός σε αιχμηρές ακμές.
- Μην ψεκάζετε ή χύνετε νερό πάνω ή μέσα στο προϊόν όταν θέλετε να το καθαρίσετε. Κίνδυνος ηλεκτροπληξίας και φωτιάς.
- Όταν καθαρίζετε το προϊόν, μη χρησιμοποιείτε αιχμηρά εργαλεία ή εργαλεία και οικιακά καθαριστικά που χαράζουν, ούτε απορρυπαντικά, αέρια, βενζίνη, αραιωτικά χρωμάτων, οινόπνευμα, βερνίκι και παρόμοιες ουσίες. Στο εσωτερικό του προϊόντος χρησιμοποιείτε μόνο προϊόντα καθαρισμού και συντήρησης που δεν είναι επιβλαβή για τρόφιμα.

- Μη χρησιμοποιείτε ποτέ ατμό ή μέσα καθαρισμού που παράγουν ατμό για τον καθαρισμό του προϊόντος και την τήξη πάγου στο εσωτερικό του. Ο ατμός έρχεται σε επαφή με τις ηλεκτροφόρες περιοχές του ψυγείου σας και προκαλεί βραχυκύκλωμα ή ηλεκτροπληξία.
- Προσέχετε να κρατάτε το νερό μακριά από οπές αερισμού, ηλεκτρονικά κυκλώματα ή κυκλώματα φωτισμού του προϊόντος.
- Χρησιμοποιήστε ένα καθαρό, στεγνό πανί για να σκουπίσετε τη σκόνη ή τα ξένα υλικά από τους πόλους των φισ. Μη χρησιμοποιήσετε βρεγμένο ή υγρό πανί για να καθαρίσετε το φισ. Διαφορετικά μπορεί να προκύψει κίνδυνος πυρκαγιάς ή ηλεκτροπληξίας.

## 2 Οδηγίες σχετικά με το περιβάλλον

### 2.1 Συμμόρφωση με την Οδηγία WEEE και τελική διάθεση του προϊόντος στο τέλος της ωφέλιμης ζωής του



■  
(ΑΗΗΕ).

Το προϊόν αυτό συμμορφώνεται με την οδηγία ΑΗΗΕ της ΕΕ (2012/19/ΕΕ). Το προϊόν αυτό φέρει ένα σύμβολο ταξινόμησης για απόβλητα ηλεκτρικού και ηλεκτρονικού εξοπλισμού

Αυτό το σύμβολο υποδεικνύει ότι το προϊόν αυτό δεν πρέπει να απορριφθεί με τα οικιακά απορρίμματα στο τέλος της ωφέλιμης ζωής του. Η χρησιμοποιημένη συσκευή πρέπει να επιστραφεί σε επίσημο σημείο συλλογής για την ανακύκλωση ηλεκτρικών και ηλεκτρονικών συσκευών. Για να βρείτε αυτά τα συστήματα συλλογής, επικοινωνήστε με τις τοπικές σας αρχές, ή με το σημείο που αγοράσατε το προϊόν. Κάθε νοικοκυριό παίζει σημαντικό ρόλο στην ανάκτηση και ανακύκλωση των παλιών συσκευών. Η σωστή τελική διάθεση της χρησιμοποιη-

μένης συσκευής συμβάλλει στην πρόληψη πιθανών αρνητικών συνεπειών για το περιβάλλον και την ανθρώπινη υγεία.

### Συμμόρφωση με την Οδηγία RoHS

Το προϊόν που έχετε προμηθευτεί συμμορφώνεται με την Οδηγία RoHS της ΕΕ (2011/65/ΕΕ). Δεν περιέχει επιβλαβείς και απαγορευμένες ουσίες που καθορίζονται στην Οδηγία αυτή.

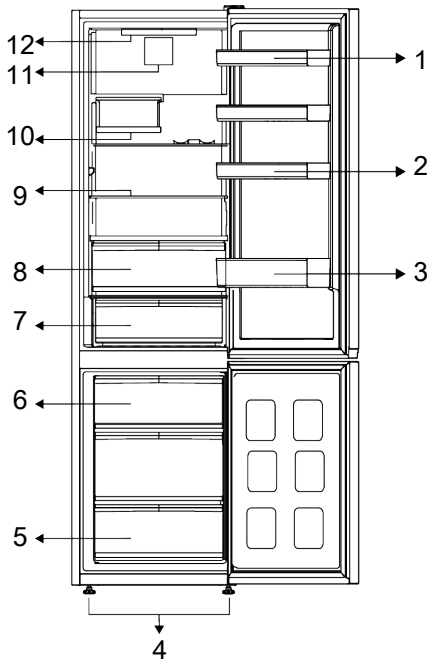


### Πληροφορίες για τη συσκευασία

Τα υλικά συσκευασίας του προϊόντος κατασκευάζονται από ανακυκλώσιμα υλικά σύμφωνα με τους Εθνικούς μας Περιβαλλοντικούς Κανονισμούς. Μην απορρίπτετε τα υλικά συσκευασίας μαζί με οικιακά ή άλλου είδους απορρίμματα. Μεταφέρετέ τα στα σημεία συλλογής υλικών συσκευασίας τα οποία έχουν καθοριστεί από τις τοπικές αρχές.

EL

## 3 Το ψυγείο σας



- 1 \* Ρυθμιζόμενα ράφια πόρτας
- 3 \* Ράφι μπουκαλιών
- 5 \* Θάλαμος καταψύκτη
- 7 \* Συρτάρι έντονης ψύξης
- 9 \* Ρυθμιζόμενα ράφια
- 11 \* Ανεμιστήρας

- 2 \* Αυγοθήκες
- 4 \* Ρυθμιζόμενα μπροστινά πόδια
- 6 \* Δοχείο πάγου
- 8 \* Συρτάρι λαχανικών
- 10 \* Αναδιπλούμενη υποδοχή κρασιών
- 12 \* Λαμπτήρας φωτισμού

**\*Προαιρετικός εξοπλισμός:** Οι εικόνες στο παρόν εγχειρίδιο χρήσης είναι σχηματικές και ενδέχεται να μη συμφωνούν ακρι-

βώς με το προϊόν που έχετε. Αν το προϊόν δεν περιλαμβάνει τα σχετικά εξαρτήματα, οι πληροφορίες αφορούν άλλα μοντέλα.

## 4 Εγκατάσταση



Διαβάστε πρώτα την ενότητα "Οδηγίες Ασφαλείας"!

### 4.1 Σωστή θέση εγκατάστασης

Για την εγκατάσταση του προϊόντος επικοινωνήστε με το Εξουσιοδοτημένο Σέρβις. Για να προετοιμάσετε το προϊόν για εγκατάσταση, δείτε τις πληροφορίες στο εγχειρίδιο χρήσης και βεβαιωθείτε ότι οι παροχές ρεύματος και νερού συμμορφώνονται με τις απαιτήσεις. Αν όχι, καλέστε έναν ηλεκτρολόγο και υδραυλικό για να διαμορφώσετε τις παροχές όπως χρειάζεται.



#### ΠΡΟΕΙΔΟΠΟΙΗΣΗ:

Ο κατασκευαστής δεν φέρει ευθύνη για τυχόν ζημιές που μπορεί να προκληθούν από εργασίες που διενεργούνται από μη εξουσιοδοτημένα άτομα.



#### ΠΡΟΕΙΔΟΠΟΙΗΣΗ:

Το καλώδιο παροχής ρεύματος του προϊόντος πρέπει να είναι αποσυνδεδεμένο κατά την εγκατάσταση. Το αντίθετο μπορεί να οδηγήσει σε θάνατο ή σοβαρούς τραυματισμούς!



#### ΠΡΟΕΙΔΟΠΟΙΗΣΗ:

Αν το προϊόν δεν χωράει να περάσει από την πόρτα του δωματίου εγκατάστασης, αφαιρέστε την πόρτα και γυρίστε το προϊόν στο πλάι: αν αυτό δεν αρκεί, επικοινωνήστε με την εξουσιοδοτημένη υπηρεσία σέρβις.

- Τοποθετήστε το προϊόν πάνω σε μία επίπεδη επιφάνεια, για να αποφύγετε τη δημιουργία κραδασμών.
- Τοποθετήστε το προϊόν τουλάχιστον 30 cm μακριά από σόμπα, συσκευή κουζίνας και παρόμοιες πηγές θερμότητας και τουλάχιστον 5 cm από ηλεκτρικούς φούρνους.

- Μην εκθέτετε το προϊόν σε άμεση ηλιακή ακτινοβολία και μην το φυλάσσετε σε περιβάλλον με υγρασία.
- Το προϊόν χρειάζεται επαρκή κυκλοφορία αέρα για να λειτουργεί αποδοτικά. Αν το προϊόν πρόκειται να τοποθετηθεί μέσα σε εσοχή τοίχου, μην παραλείψετε να αφήσετε ελεύθερη απόσταση τουλάχιστον 5 cm ανάμεσα στο προϊόν και την οροφή, τον πίσω τοίχο και τους πλευρικούς τοίχους.
- Ελέγξτε αν υπάρχει στη θέση του το εξάρτημα διασφάλισης της απόστασης από τον πίσω τοίχο (αν παρέχεται με το προϊόν).
- Αν το εξάρτημα δεν είναι διαθέσιμο, ή αν έχει χαθεί ή πέσει, ρυθμίστε τη θέση του προϊόντος έτσι ώστε να παραμένει διάκενο τουλάχιστον 5 cm ανάμεσα στην πίσω επιφάνεια του προϊόντος και τον τοίχο του δωματίου. Ο ελεύθερος χώρος στην πίσω πλευρά είναι σημαντικός για την αποδοτική λειτουργία του προϊόντος.

### 4.2 Σύνδεση στο ηλεκτρικό ρεύμα



Μη χρησιμοποιείτε επεκτάσεις ή πολύπριζα για την σύνδεση στην παροχή ρεύματος.



Αν το καλώδιο ρεύματος έχει υποστεί ζημιά, πρέπει να αντικατασταθεί από Εξουσιοδοτημένο Σέρβις.



Όταν τοποθετείτε δύο ψυγεία το ένα δίπλα στο άλλο, αφήστε απόσταση τουλάχιστον 4 cm ανάμεσα στις δύο μονάδες.

- Η εταιρία μας δεν φέρει ευθύνη για τυχόν βλάβες λόγω χρήσης χωρίς γείωση ή χωρίς παροχή ρεύματος που συμμορφώνεται με τους εθνικούς κανονισμούς.
- Το φινιρίσμα του καλωδίου ρεύματος πρέπει να είναι εύκολα προσβάσιμο μετά την εγκατάσταση.

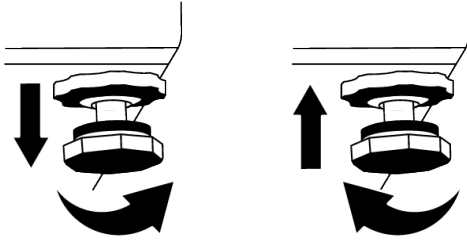


- Μη χρησιμοποιείτε πολύπριζο με ή χωρίς καλώδιο επέκτασης ανάμεσα στην πρίζα και το ψυγείο.

### 4.3

### 4.4 Ρύθμιση των ποδιών

Αν το προϊόν δεν είναι οριζόντιο και σε ευσταθή θέση, ρυθμίστε τα μπροστινά ρυθμιζόμενα πόδια του, περιστρέφοντάς τα δεξιόστροφα ή αριστερόστροφα.



## 5 Προετοιμασία



Διαβάστε πρώτα την ενότητα "Οδηγίες Ασφαλείας"!

### 5.1 Τι να κάνετε για να εξοικονομήτε ενέργεια



Η σύνδεση του προϊόντος σε ηλεκτρονικά συστήματα εξοικονόμησης ενέργειας είναι επιβλαβής, και ενδέχεται να προκαλέσει ζημιά στο προϊόν.

- Αυτή η ψυκτική συσκευή δεν προορίζεται για χρήση ως εντοιχιζόμενη συσκευή.
- Μην αφήνετε τις πόρτες του ψυγείου ανοιχτές για μεγάλα χρονικά διαστήματα.
- Μην τοποθετείτε θερμά τρόφιμα ή ποτά μέσα στο ψυγείο.
- Μη γεμίζετε υπερβολικά το ψυγείο: η παρεμπόδιση της εσωτερικής ροής αέρα θα μειώσει την ικανότητα ψύξης.
- Για να τοποθετήσετε τη μέγιστη ποσότητα τροφίμων στον θάλαμο καταψύκτη του ψυγείου σας, πρέπει να αφαιρέσετε τα πάνω συρτάρια και να τοποθετήσετε τα τρόφιμα πάνω στα συρμάτινα/γυάλινα ράφια. Οι πληροφορίες καθαρού όγκου και κατανάλωσης ενέργειας που δηλώνονται στην ενεργειακή ετικέτα του ψυγείου

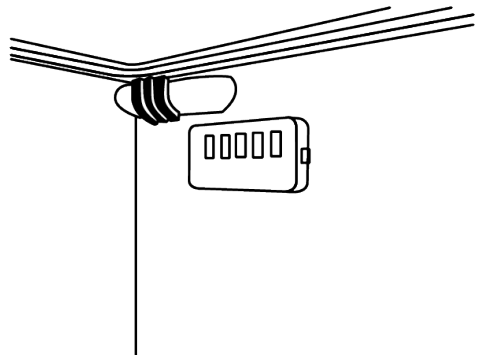
### 4.5 Προειδοποίηση για θερμές επιφάνειες

Τα πλευρικά τοιχώματα του προϊόντος διαθέτουν σωληνές ψύξης για την ενίσχυση του συστήματος ψύξης. Αυτές οι επιφάνειες ενδέχεται να διατρέχονται από υγρό υψηλής πίεσης, το οποίο θερμαίνει τις επιφάνειες των πλευρικών τοιχωμάτων. Αυτό αποτελεί μέρος της φυσιολογικής λειτουργίας και δεν απαιτείται σέρβις. Προσέχετε κατά την επαφή με αυτές τις επιφάνειες.


EL


σας δοκιμάστηκαν αφού αφαιρέθηκαν τα πάνω συρτάρια στον θάλαμο συντήρησης και ο κάδος πάγου, που αφαιρούνται εύκολα με τα χέρια.

- Συνιστάται ιδιαίτερα η χρήση του κάτω συρταριού κατά τη φύλαξη τροφίμων.
- Ανάλογα με τα χαρακτηριστικά του προϊόντος: η απόψυξη κατεψυγμένων τροφίμων στο θάλαμο συντήρησης θα εξασφαλίσει την εξοικονόμηση ενέργειας και θα διαφυλάξει την ποιότητα των τροφίμων.
- Βεβαιωθείτε πως τα τρόφιμα δεν βρίσκονται σε επαφή με τον αισθητήρα θερμοκρασίας του θαλάμου συντήρησης ο οποίος περιγράφεται παρακάτω.



- Αν είναι σε επαφή με τον αισθητήρα, η κατανάλωση ενέργειας της συσκευής μπορεί να αυξηθεί
- Τα τρόφιμα θα πρέπει να αποθηκεύονται στα συρτάρια του θαλάμου συντήρησης για να εξασφαλιστεί η εξοικονόμηση ενέργειας και η διατήρηση των τροφίμων σε καλύτερες συνθήκες.
- Οι συσκευασίες τροφίμων δεν πρέπει να είναι σε άμεση επαφή με τον αισθητήρα θερμοκρασίας που βρίσκεται μέσα στον θάλαμο καταψύκτη.


 Είναι φυσιολογικό να είναι θερμές οι μπροστινές άκρες του ψυγείου. Η θέρμανση αυτών των περιοχών είναι μέρος του σχεδιασμού με σκοπό την αποτροπή συμπύκνωσης.

 Σε κάποια μοντέλα, ο πίνακας ενδείξεων απενεργοποιείται αυτόματα 1 λεπτό μετά το κλείσιμο της πόρτας. Ενεργοποιείται ξανά όταν ανοιχτεί η πόρτα ή όταν πατηθεί οποιοδήποτε κουμπί.


## 5.2 Πρώτη χρήση

Πριν χρησιμοποιήσετε το ψυγείο σας, βεβαιωθείτε πως έχουν γίνει οι απαραίτητες προετοιμασίες σύμφωνα με τις οδηγίες στις ενότητες "Ασφάλεια και οδηγίες σχετικά με το περιβάλλον" και "Εγκατάσταση".

- Αφήστε το προϊόν σε λειτουργία για 6 ώρες χωρίς να τοποθετήσετε τρόφιμα μέσα και μην ανοίξετε την πόρτα του, εκτός αν αυτό είναι απολύτως απαραίτητο.
- Η αλλαγή θερμοκρασίας που προκαλείται από το άνοιγμα και κλείσιμο της πόρτας κατά τη χρήση του προϊόντος μπορεί κανονικά να έχει σαν συνέπεια συμπύκνωση πάνω σε ράφια της πόρτας/του κυρίως σώματος και σε γυάλινες συσκευασίες που είναι τοποθετημένες μέσα στο προϊόν.

 Θα ακουστεί ένας ήχος όταν ο συμπίεστής τεθεί σε λειτουργία. Είναι φυσιολογικό να παράγονται θόρυβοι στο προϊόν ακόμα και αν ο συμπίεστής δεν λειτουργεί, καθώς μπορεί να υπάρχει συμπιεσμένο υγρό και αέριο μέσα στο ψυκτικό σύστημα.

## 6 Χειρισμός του προϊόντος

 Διαβάστε πρώτα την ενότητα "Οδηγίες Ασφαλείας"!

## 5.3 Κατηγορία κλίματος και ορισμοί

Παρακαλούμε ανατρέξτε στην πληροφορία Κατηγορία κλίματος (Climate Class) πάνω στην πινακίδα στοιχείων της συσκευής σας. Μία από τις ακόλουθες πληροφορίες έχει εφαρμογή στη συσκευή σας σύμφωνα με την κατηγορία κλίματος.

- **SN:** Μακροπρόθεσμα εύκρατο κλίμα: Αυτή η ψυκτική συσκευή έχει σχεδιαστεί για χρήση σε θερμοκρασίες περιβάλλοντος μεταξύ 10 °C και 32 °C.
- **N:** Εύκρατο κλίμα: Αυτή η ψυκτική συσκευή έχει σχεδιαστεί για χρήση σε θερμοκρασίες περιβάλλοντος μεταξύ 16 °C και 32 °C.
- **ST:** Υποτροπικό κλίμα: Αυτή η ψυκτική συσκευή έχει σχεδιαστεί για χρήση σε θερμοκρασίες περιβάλλοντος μεταξύ 16 °C και 38 °C.
- **T:** Τροπικό κλίμα: Αυτή η ψυκτική συσκευή έχει σχεδιαστεί για χρήση σε θερμοκρασίες περιβάλλοντος μεταξύ 16 °C και 43 °C.

- Μη χρησιμοποιείτε κανενός είδους μηχανικά εργαλεία ή οποιαδήποτε άλλα εργαλεία που δεν συνιστώνται από τον κατασκευαστή για να επιταχύνετε την διαδικασία απόψυξης.

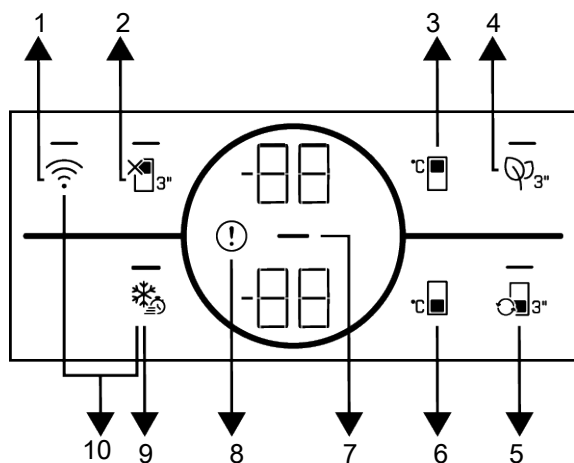
- Μη χρησιμοποιείτε μέρη του ψυγείου σας όπως η πόρτα ή τα συρτάρια για στήριξη ή για να πατάτε πάνω τους. Αυτό μπορεί να προκαλέσει ανατροπή του προϊόντος ή βλάβη στα εξαρτήματά του.
- Το προϊόν θα πρέπει να χρησιμοποιείται μόνο για αποθήκευση τροφίμων.
- Κλείστε την βαλβίδα νερού αν βρίσκεστε μακριά από το σπίτι (π.χ. σε διακοπές) και δεν πρόκειται να χρησιμοποιήσετε το Icematic ή τον διανομέα νερού για μεγάλο χρονικό διάστημα. Διαφορετικά, ενδέχεται να υπάρξουν διαρροές νερού.

## Αποσύνδεση του προϊόντος από την πρίζα

- Αν δεν πρόκειται να χρησιμοποιήσετε το προϊόν για μεγάλο διάστημα, αποσυνδέστε το από την πρίζα.
- Αφαιρέστε τα τρόφιμα για να αποφύγετε δυσοσμία.
- Περιμένετε να λιώσει ο πάγος, καθαρίστε το εσωτερικό και αφήστε το να στεγνώσει, αφήστε τις πόρτες ανοικτές για να αποφύγετε ζημιά στα εσωτερικά πλαστικά μέρη του κορμού του προϊόντος.

## 7 Χρήση της συσκευής σας

### 7.1 Πίνακας ελέγχου του προϊόντος



- |  |   |
|--|---|
| 1 * Πλήκτρο ασύρματης σύνδεσης                       | 2 * Λειτουργία Απενεργοποίησης θαλάμου Συντήρησης (λειτουργία Διακοπών) |
| 3 * Πλήκτρο ρύθμισης θερμοκρασίας θαλάμου Συντήρησης | 4 * Πλήκτρο μονάδας καταπολέμησης οσμών                                 |
| 5 * Πλήκτρο μετατροπής θαλάμου                       | 6 * Πλήκτρο ρύθμισης θερμοκρασίας θαλάμου Καταψύκτη                     |
| 7 * Ένδειξη εξοικονόμησης ενέργειας (οθόνη ανενεργή) | 8 * Ένδειξη κατάστασης σφάλματος  |
| 9 * Πλήκτρο Ταχείας Κατάψυξης                        | 10 * Πλήκτρο επαναφοράς ρυθμίσεων ασύρματης σύνδεσης                    |



Διαβάστε πρώτα την ενότητα "Οδηγίες Ασφαλείας".

Οι ηχητικές και οπτικές λειτουργίες του πίνακα ενδείξεων θα σας βοηθήσουν στη χρήση του ψυγείου.

**\*Προαιρετικός εξοπλισμός:** Οι εμφανιζόμενες λειτουργίες είναι προαιρετικές, ενδέχεται να υπάρχουν διαφορές σε σχήμα και θέση στις λειτουργίες που υπάρχουν στον πίνακα ενδείξεων της συσκευής σας.

## 1. Πλήκτρο ασύρματης σύνδεσης

Το πλήκτρο χρησιμοποιείται για τη δημιουργία ασύρματης σύνδεσης με το προϊόν

σας μέσω της εφαρμογής HomeWhiz για κινητά. Αν πατήσετε το πλήκτρο για 3 δευτερόλεπτα, το σύμβολο ασύρματης σύνδεσης στην οθόνη/πίνακα θα αναβοσβήνει αργά (σε διαστήματα 0,5 δευτερολέπτων). Με αυτό τον τρόπο γίνεται η αρχική σύνδεση του προϊόντος με το οικιακό δίκτυο. Μετά την επίτευξη της ασύρματης σύνδεσης με το προϊόν, το σύμβολο ασύρματης σύνδεσης παραμένει σταθερά αναμμένο. Μπορείτε να ενεργοποιήσετε/ απενεργοποιήσετε τη σύνδεση με ένα σύντομο πάτημα στο πλήκτρο αυτό. Το εικονίδιο ασύρματης σύνδεσης θα αναβοσβήνει (σε διαστήματα 0,2 δευτερολέπτων) έως ότου δημιουργηθεί η σύνδεση. Όταν η σύνδεση είναι ενεργή, η LED θα είναι μόνιμα αναμμένη. Αν δεν μπορεί να επιτευχθεί σύνδεση για μεγάλο χρονικό διάστημα, ελέγξτε τις ρυθμίσεις σύνδεσής σας και ανατρέξτε στην ενότητα "Αντιμετώπιση προβλημάτων" η οποία περιέχεται στο Εγχειρίδιο Χρήστη. Η εφαρμογή HomeWhiz θα χρησιμοποιείται για την ασύρματη σύνδεση. Τα βήματα για την αρχική διαμόρφωση εξηγούνται στην ίδια την εφαρμογή κατά την πορεία της διαμόρφωσης. Μπορείτε να αποκτήσετε πρόσβαση στην εφαρμογή σκανάροντας τον κωδικό QR ο οποίος βρίσκεται στην ετικέτα HomeWhiz πάνω στη συσκευή. Μπορείτε να αποκτήσετε την εφαρμογή από το App Store, ή από το Play Store για συσκευές Android. Για λεπτομέρειες επισκεφθείτε τη διεύθυνση <https://www.homewhiz.com/>.

## 2. Πλήκτρο λειτουργίας Απενεργοποίησης θαλάμου συντήρησης (Λειτουργίας

Διακοπών) 


Πατήστε το πλήκτρο για 3 δευτερόλεπτα για να ενεργοποιήσετε τη λειτουργία διακοπών. Η λειτουργία διακοπών ενεργοποιείται και η ενδεικτική λυχνία LED στο πλήκτρο ανάβει. Θα εμφανιστεί το σύμβολο "- -" στην ένδειξη θερμοκρασίας του θαλάμου συντήρησης και ο θάλαμος συντήρησης δεν πραγματοποιεί ενεργά ψύξη. Δεν θα πρέπει να φυλάσσετε τα τρόφιμά σας μέσα στον θάλαμο συντήρησης αν ενεργοποιήσετε αυτή τη λειτουργία. Οι άλλοι θάλαμοι θα συνεχίσουν να ψύχονται σύμφωνα με τις θερμοκρασίες που είχαν ρυθμιστεί. Για να ακυρώσετε αυτή τη λειτουργία, πατήστε πάλι και κρατήστε πατημένο το πλήκτρο για 3 δευτερόλεπτα.

## 3. Πλήκτρο ρύθμισης θερμοκρασίας θα-

λάμου συντήρησης 

Επιτρέπει την ρύθμιση της θερμοκρασίας για τον θάλαμο συντήρησης. Με το πάτημα του πλήκτρου μπορείτε να ρυθμίσετε τη θερμοκρασία θαλάμου συντήρησης σε θερμοκρασία 8 °C, 7 °C, 6 °C, 5 °C, 4 °C, 3 °C, 2 °C, ή 1 °C.

## 4.\*Πλήκτρο μονάδας καταπολέμησης

οσμών 

Πατήστε αυτό το πλήκτρο για 3 δευτερόλεπτα για να ενεργοποιήσετε/ απενεργοποιήσετε τη λειτουργία καταπολέμησης οσμών. Όταν είναι ενεργή η λειτουργία καταπολέμησης οσμών, είναι αναμμένη η LED στο αντίστοιχο πλήκτρο. Όταν είναι ενεργή η λειτουργία, η μονάδα καταπολέμησης οσμών θα ενεργοποιείται περιοδικά.

## 5. Πλήκτρο μετατροπής θαλάμου

Αν πατήσετε για 3 δευτερόλεπτα το πλήκτρο μετατροπής θαλάμου, το τμήμα καταψύκτη μεταβαίνει κυκλικά από λειτουργία συντήρησης, σε απενεργοποιημένη κατάσταση και σε λειτουργία καταψύκτη. Αν χρησιμοποιείται σαν θάλαμος συντήρησης, η θερμοκρασία του θαλάμου θα ρυθμιστεί

σε 4 °C. Στην απενεργοποιημένη κατάσταση, η ένδειξη θερμοκρασίας του θαλάμου θα είναι "- -".

## 6. Πλήκτρο ρύθμισης θερμοκρασίας θαλάμου Καταψύκτη

Η ρύθμιση θερμοκρασίας γίνεται για το θάλαμο καταψύκτη. Πατώντας αυτό το πλήκτρο μπορείτε να ρυθμίσετε τη θερμοκρασία του θαλάμου καταψύκτη στους -18 °C, -19°C, -20 °C, -21 °C, -22 °C, -23 °C και -24 °C.

## 7. Ένδειξη εξοικονόμησης ενέργειας (οθόνη ανενεργή)

Η λειτουργία εξοικονόμησης ενέργειας ενεργοποιείται αυτόματα και το σύμβολο εξοικονόμησης ενέργειας ανάβει όταν η πόρτα του προϊόντος δεν ανοίξει ή κλείσει για ορισμένο χρονικό διάστημα. Όταν είναι ενεργή η λειτουργία εξοικονόμησης ενέργειας, θα σβήσουν όλα τα σύμβολα στην οθόνη, εκτός από το σύμβολο εξοικονόμησης ενέργειας. Όταν είναι ενεργή η λειτουργία εξοικονόμησης ενέργειας, αν πατήσετε κάποιο πλήκτρο ή ανοίξετε την πόρτα, η λειτουργία εξοικονόμησης ενέργειας θα απενεργοποιηθεί, και τα σύμβολα στην οθόνη θα επιστρέψουν στην φυσιολογική τους κατάσταση. Η λειτουργία εξοικονόμησης ενέργειας έχει οριστεί ως ενεργή από το εργοστάσιο και δεν μπορεί να ακυρωθεί.

## 8. Ένδειξη κατάστασης σφάλματος

Αυτή η ένδειξη θα είναι ενεργή αν το ψυγείο σας δεν μπορεί να παρέχει επαρκή ψύξη ή σε περίπτωση τυχόν σφάλματος αισθητήρα. Στην οθόνη ενδείξεων θερμοκρασίας θαλάμου καταψύκτη θα εμφανίζεται το

## 7.2 Φύλαξη τροφίμων στον θάλαμο συντήρησης

### Φύλαξη τροφίμων στον θάλαμο συντήρησης

- Οι θερμοκρασίες των θαλάμων αυξάνονται έντονα αν η πόρτα του θαλάμου ανοίγει και κλείνει συχνά και διατηρείται ανοιχτή για μεγάλο χρονικό διάστημα. Αυτό μπορεί να μειώσει τη διάρκεια ζωής των τροφίμων και να προκαλέσει αλλοίωσή τους.

γράμμα "E" και στην οθόνη ενδείξεων θερμοκρασίας θαλάμου συντήρησης θα εμφανίζονται οι αριθμοί 1, 2, 3. Αυτοί οι αριθμοί στην οθόνη ενδείξεων πληροφορούν το σέρβις σχετικά με τη βλάβη. Αν τοποθετήσετε ζεστά τρόφιμα στο θάλαμο καταψύκτη ή αν αφήσετε την πόρτα του ανοιχτή για πολλή ώρα, μπορεί να εμφανιστεί ένα σήμα θαυμαστικού. Δεν πρόκειται για σφάλμα, η προειδοποίηση θα πάψει να εμφανίζεται όταν τα τρόφιμα ψυχθούν ή αν πατήσετε οποιοδήποτε πλήκτρο.

## 9. Πλήκτρο Ταχείας Κατάψυξης

Όταν πατηθεί το πλήκτρο ταχείας κατάψυξης, ανάβει η λυχνία LED στο πλήκτρο και ενεργοποιείται η λειτουργία ταχείας κατάψυξης. Η θερμοκρασία θαλάμου καταψύκτη ρυθμίζεται στους -27 °C. Για να ακυρώσετε τη λειτουργία, πατήστε πάλι το πλήκτρο. Η λειτουργία ταχείας κατάψυξης θα απενεργοποιηθεί αυτόματα μετά από 24 ώρες. Για να καταψύξετε μια μεγάλη ποσότητα νωπών τροφίμων, πατήστε το πλήκτρο ταχείας κατάψυξης πριν τοποθετήσετε τα τρόφιμα στον θάλαμο καταψύκτη.

## 10. Πλήκτρο επαναφοράς ρυθμίσεων

### ασύρματης σύνδεσης +

Για επαναφορά των ρυθμίσεων ασύρματης σύνδεσης, πρέπει να πατηθούν τα πλήκτρα Ταχείας Κατάψυξης

Ταχείας Κατάψυξης και Ασύρματης Σύνδεσης ταυτόχρονα για 3 δευτερόλεπτα. Όλες οι πληροφορίες χρήστη οι οποίες έχουν καταγραφεί καταργούνται από το προϊόν όταν γίνει επαναφορά/αποκατάσταση των εργασιακών ρυθμίσεων.

- Για να μην προκαλούνται δυσοσμίες και αλλαγές γεύσης μέσα στη συσκευή, τα τρόφιμα θα πρέπει να φυλάσσονται σε κλειστούς περιέκτες.
- Μην αποθηκεύετε υπερβολικές ποσότητες τροφίμων στο ψυγείο. Για να επιτύχετε καλύτερη και ομοιόμορφη ψύξη, τοποθετείτε τα τρόφιμα σε αποστάσεις μεταξύ τους ώστε να μπορεί να κυκλοφορεί ανάμεσά τους ο αέρας.

- Διευκολύνετε τη ροή του αέρα αφήνοντας διάκενα ανάμεσα στα τρόφιμα και το εσωτερικό τοίχωμα. Αν στηρίζετε τρόφιμα στο πίσω τοίχωμα, τα τρόφιμα αυτά μπορεί να παγώσουν.
- Αφήνετε τα μαγειρεμένα ζεστά φαγητά να κρυώσουν σε θερμοκρασία δωματίου πριν τα τοποθετήσετε μέσα στο ψυγείο. Κατόπιν μπορείτε να τοποθετήσετε το προς ψύξη φαγητό στα κάτω ράφια του ψυγείου σας. Μην τοποθετείτε τα προς ψύξη φαγητά κοντά σε τρόφιμα που μπορούν να αλλοιωθούν εύκολα.
- Αποψύχετε τα κατεψυγμένα σας τρόφιμα μέσα στον θάλαμο συντήρησης. Με αυτόν τον τρόπο μπορείτε να ψύξετε τον θάλαμο συντήρησης με χρήση των κατεψυγμένων τροφίμων και να εξοικονομήτε ενέργεια.
- Η φύλαξη στο ψυγείο μη ώριμων τροπικών φρούτων (όπως μάνγκο, ποικιλίες πεπονιών, παπάγια, μπανάνες, ανανάς) μπορεί να επιταχύνει τη διαδικασία ωρίμανσης. Αυτό δεν συνιστάται γιατί θα προκαλέσει μικρότερο χρόνο φύλαξης.
- Θα πρέπει να φυλάσσετε κρεμμύδια, σκόρδα, τζίντζερ και άλλα ριζώδη λαχανικά σε σκοτεινές και δροσερές συνθήκες, όχι μέσα στο ψυγείο.
- Αν διαπιστώσετε ότι ένα τρόφιμο μέσα στο ψυγείο έχει αλλοιωθεί, πετάξτε το και καθαρίστε τα αξεσουάρ που έχουν έρθει σε επαφή μεταξύ τους.
- Για να ψύξετε γρήγορα φαγητά όπως σουπές και ραγού, που μαγειρεύονται μέσα σε μεγάλες κασαρόλες, μπορείτε να τα τοποθετείτε μέσα στο ψυγείο χωρίζοντάς τα σε άλλα δικά σας ρηχά δοχεία.
- Μην τοποθετείτε μη συσκευασμένα τρόφιμα κοντά σε αυγά.
- Φυλάσσετε τα φρούτα και τα λαχανικά ξεχωριστά και αποθηκεύετε κάθε είδος μαζί, για παράδειγμα μήλα με μήλα, καρότα με καρότα.
- Αφαιρείτε τα πράσινα λαχανικά από τις πλαστικές σακούλες και τοποθετείτε τα μέσα στο ψυγείο αφού τα τυλίξετε σε χαρτί κουζίνας ή χαρτί στεγνώματος. Αν πλένετε τα τρόφιμα αυτά πριν τα τοποθετήσετε στο ψυγείο, μην ξεχνάτε να τα στεγνώνετε πριν τη φύλαξη.
- Μπορείτε και να δημιουργήσετε ένα υγρό περιβάλλον και να παρέχετε ροή αέρα διατηρώντας φρούτα και λαχανικά που είναι ευπαθή σε ξήρανση, σε διάτρητες ή μη στεγανές πλαστικές σακούλες.
- Εκτός από περιπτώσεις όπου υπάρχουν ακραίες συνθήκες στο περιβάλλον, αν το προϊόν σας (στον πίνακα συνιστώμενων τιμών ρύθμισης) έχει ρυθμιστεί στις προβλεπόμενες τιμές ρύθμισης, τα τρόφιμα διατηρούν τη φρεσκάδα τους για περισσότερο χρόνο, τόσο στον θάλαμο συντήρησης όσο και στον θάλαμο καταψύκτη.

Φυλάσσετε τα τρόφιμα σε ξεχωριστές θέσεις σύμφωνα με τις ιδιότητές τους:	
Τροφή	Θέση
Αυγό	Ράφι πόρτας
Γαλακτοκομικά προϊόντα (βούτυρο, τυρί)	Αν διατίθεται, σε διαμέρισμα μηδέν βαθμών Κελσίου (για τρόφιμα πρωινού)
Φρούτα, λαχανικά και φυλλώδη είδη	Διαμέρισμα φρούτων-λαχανικών, διαμέρισμα λαχανικών ή διαμέρισμα EverFresh+ (αν διατίθεται)
Νωπό κρέας, πουλερικά, ψάρια, λουκάνικα κλπ. Μαγειρεμένα τρόφιμα	Αν διατίθεται, σε διαμέρισμα μηδέν βαθμών Κελσίου (για τρόφιμα πρωινού)
Τρόφιμα έτοιμα για σερβίρισμα, συσκευασμένα προϊόντα, τρόφιμα σε κονσέρβα και πίκλες	Πάνω ράφια ή ράφι πόρτας
Αναψυκτικά, μπουκάλια, μπαχαρικά και σνακ	Ράφι πόρτας

## Φύλαξη τροφίμων στον θάλαμο καταψύκτη

- Μπορείτε να ενεργοποιήσετε τη λειτουργία Ταχεία Κατάψυξη 4-6 ώρες πριν τη λειτουργία κατάψυξης, και να επιτύχετε ταχύτερη ψύξη των τροφίμων.
- Αφήνεται τα ζεστά φαγητά να κρυώσουν σε θερμοκρασία δωματίου πριν τα τοποθετήσετε μέσα στο θάλαμο καταψύκτη.
- Τα τρόφιμα προς κατάψυξη πρέπει να τα χωρίζετε σε μερίδες ανάλογα με την ποσότητα που θα καταναλωθεί, και να τα καταψύχετε σε ξεχωριστές συσκευασίες.
- Συνιστάται να συσκευάζετε τα τρόφιμα πριν τα τοποθετήσετε μέσα στον καταψύκτη.
- Για να αποφύγετε τη λήξη των περιόδων αποθήκευσης, σημειώνετε στη συσκευασία την ημερομηνία ψύξης, το χρονικό όριο και το όνομα του τροφίμου, σύμφωνα με τις περιόδους αποθήκευσης των διαφόρων τροφίμων.
- Καταναλώνετε γρήγορα τα τρόφιμα που έχετε αποψύξει. Τα τρόφιμα που έχουν αποψυχθεί δεν επιτρέπεται να καταψυχθούν πάλι εκτός αν μαγειρευτούν πρώτα. Δεν είναι ασφαλές να καταναλώνετε νωπά τρόφιμα που επανακαταψύχθηκαν χωρίς να τα μαγειρέψετε αφού αποψύχθηκαν.
- Όταν καταψύχετε νωπά τρόφιμα, αποφύγετε να τα φέρνετε σε επαφή με ήδη κατεψυγμένα τρόφιμα. Διαφορετικά, τα ήδη κατεψυγμένα τρόφιμα θα αποψυχθούν.

## Φύλαξη κατεψυγμένων προϊόντων

- Πάντα τηρείτε τις οδηγίες του παραγωγού των τροφίμων σε σχέση με το χρόνο που μπορείτε να φυλάξετε τα τρόφιμα. Μην υπερβαίνεται τον χρόνο που καθορίζεται στις οδηγίες αυτές!
- Για να προστατεύετε την ποιότητα των τροφίμων, διατηρείτε όσο το δυνατόν μικρότερο το διάστημα μεταξύ της αγοράς και τη φύλαξης των τροφίμων.
- Αγοράζετε κατεψυγμένα τρόφιμα που έχουν αποθηκευτεί σε  $-18^{\circ}\text{C}$  ή χαμηλότερες θερμοκρασίες.
- Αποφεύγετε να αγοράζετε τρόφιμα των οποίων οι συσκευασίες καλύπτονται από πάγο κλπ. Αυτό σημαίνει ότι το προϊόν ενδεχομένως είχε αποψυχθεί εν μέρει και καταψυχθεί πάλι. Η θερμοκρασία έχει μεγάλες επιπτώσεις στην ποιότητα των τροφίμων.
- Μην υπερβαίνετε τον χρόνο φύλαξης που συνιστά ο παραγωγός των τροφίμων. Αφαιρείτε από τον καταψύκτη μόνο όσα τρόφιμα χρειάζεστε.
- Εκτός από περιπτώσεις όπου υπάρχουν ακραίες συνθήκες στο περιβάλλον, αν το προϊόν σας (στον πίνακα συνιστώμενων τιμών ρύθμισης) έχει ρυθμιστεί στις προβλεπόμενες τιμές ρύθμισης, τα τρόφιμα διατηρούν τη φρεσκάδα τους για περισσότερο χρόνο, τόσο στον θάλαμο συντήρησης όσο και στον θάλαμο καταψύκτη.
- Αν ο θάλαμος συντήρησης ρυθμιστεί σε χαμηλότερη θερμοκρασία, τα νωπά φρούτα και λαχανικά μπορεί να είναι εν μέρει παγωμένα.

## Πίνακας συνιστώμενων τιμών ρύθμισης

Ρύθμιση θαλάμου καταψύκτη	Ρύθμιση θαλάμου συντήρησης	Παρατηρήσεις
$-22^{\circ}\text{C}$	$4^{\circ}\text{C}$	Αυτή είναι η προεπιλεγμένη, συνιστώμενη ρύθμιση. Αυτή η ρύθμιση συνιστάται αν η θερμοκρασία περιβάλλοντος είναι κάτω από $30^{\circ}\text{C}$ .
$-20^{\circ}\text{C}$	$6^{\circ}\text{C}$	Αυτές οι ρυθμίσεις συνιστώνται για θερμοκρασίες περιβάλλοντος που υπερβαίνουν τους $25^{\circ}\text{C}$ .
Ταχεία Κατάψυξη	$4^{\circ}\text{C}$	Χρησιμοποιείτε αυτή τη λειτουργία όταν θέλετε να καταψύξετε τρόφιμα σε σύντομο χρόνο. Όταν ολοκληρωθεί η διαδικασία, η συσκευή θα επιστρέψει στην προηγούμενη ρύθμιση.

### Ταχεία Κατάψυξη

1. Ενεργοποιήστε τη λειτουργία ταχεία κατάψυξης 24 ώρες πριν τοποθετήσετε τα νωπά τρόφιμα.

2. Μετά από 24 ώρες από το πάτημα του κουμπιού, τοποθετήστε τα τρόφιμα που θέλετε να καταψύξετε στο δεύτερο ράφι με τη μεγαλύτερη ικανότητα κατάψυξης.

3. Η λειτουργία ταχείας κατάψυξης θα απενεργοποιηθεί αυτόματα μετά από 48 ώρες.

### Λεπτομέρειες Καταψύκτη

Σύμφωνα με τα πρότυπα IEC 62552, ο καταψύκτης θα πρέπει να έχει την ικανότητα να διατηρεί παγωμένα 4,5 kg τροφίμων σε θερμοκρασία -18 °C ή χαμηλότερη, για θερμοκρασία δωματίου 25 °C, σε 24 ώρες για κάθε 100 λίτρα χωρητικότητας του θαλάμου καταψύκτη.

Τα τρόφιμα μπορούν να διατηρούνται για μεγάλα χρονικά διαστήματα μόνο σε θερμοκρασίες μικρότερες των -18 °C.

Μπορείτε να διατηρήσετε τα τρόφιμα φρέσκα για μήνες (σε βαθιά κατάψυξη ή σε θερμοκρασίες μικρότερες των -18 °C).

Τα τρόφιμα προς κατάψυξη δεν πρέπει να έρχονται σε επαφή με τα ήδη κατεψυγμένα τρόφιμα, ώστε να αποφευχθεί η μερική απόψυξη των δεύτερων.

Βράστε τα λαχανικά και φιλτράρετε το νερό για να επεκτείνετε τη διάρκεια φύλαξης. Τοποθετήστε τα τρόφιμα σε αεροστεγείς συσκευασίες μετά το φιλτράρισμα και τοποθετήστε τα στην κατάψυξη. Μπανάνες, ντομάτες, μαρούλι, σέλινο, βραστά αυγά, πατάτες και παρόμοια τρόφιμα δεν θα πρέπει να καταψύχονται. Σε περίπτωση που αυτά τα τρόφιμα καταψυχθούν, μόνο η διατροφική αξία και οι οργανοληπτικές τους δυνατότητες θα επηρεαστούν αρνητικά. Δεν υπάρχει πιθανότητα αλλοίωσης που θα μπορούσε να απειλήσει την ανθρώπινη υγεία.

### Τοποθέτηση των τροφίμων

**Ράφια θαλάμου καταψύκτη:** Διάφορα κατεψυγμένα τρόφιμα, στα οποία περιλαμβάνονται κρέας, ψάρια, παγωτό, λαχανικά κλπ.

**Ράφια θαλάμου συντήρησης:** Τρόφιμα σε δοχεία φύλαξης, πιάτα ή θήκες με κάλυμμα, αυγά (σε θήκη με κάλυμμα)

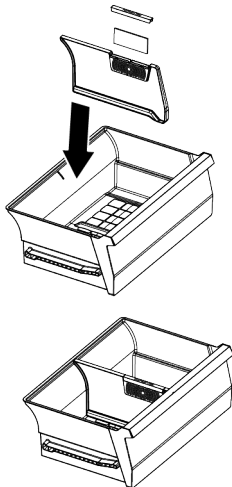
**Ράφια πόρτας θαλάμου συντήρησης:** Μικρά και συσκευασμένα τρόφιμα ή ποτά

**Συρτάρι λαχανικών:** Λαχανικά και φρούτα

**Θάλαμος συντήρησης:** Ντελικατέσεν (τρόφιμα για πρωινό, προϊόντα κρέατος που θα καταναλωθούν σύντομα)

## 7.3 Συρτάρι λαχανικών

Το συρτάρι λαχανικών του ψυγείου έχει σχεδιαστεί για να διατηρεί τα λαχανικά φρέσκα διατηρώντας την υγρασία. Για αυτό τον λόγο, η γενική κυκλοφορία ψυχρού αέρα είναι εντονότερη μέσα στο συρτάρι λαχανικών. Φυλάξτε φρούτα και λαχανικά σε αυτό τον θάλαμο. Κρατήστε τα πράσινα λαχανικά και τα φρούτα σε διαφορετικά σημεία μεταξύ τους, για να μεγιστοποιήσετε τον χρόνο ζωής τους.



## 7.4 Φωτοκαταλυτική μονάδα (FreshGuard)

Χάρη στη μονάδα αυτή, τοποθετημένη πίσω από το κάλυμμα εξατμιστή στον θάλαμο συντήρησης, ο αέρας περνά ενεργά πάνω από το φωτοκαταλυτικό φίλτρο με επικάλυψη διοξειδίου του τιτανίου ώστε στο εσωτερικό του ψυγείου να ανακυκλοφορεί καθαρισμένος αέρας. Με αυτόν τον τρόπο απομακρύνονται οι δυσάρεστες οσμές από το εσωτερικό του ψυγείου πριν αυτές διεισδύσουν στις επιφάνειες των τροφίμων. Ταυτόχρονα επιτυγχάνεται η κυκλοφορία υγιεινού, απολυμασμένου αέρα. Η λειτουργία αυτή επιτυγχάνεται χάρη στον ανεμιστήρα θαλάμου συντήρησης που βρίσκεται πίσω από το κάλυμμα εξατμιστή, τη LED UV-A και το φίλτρο οσμών με επικάλυψη διοξειδίου του τιτανίου. Για ενεργοποίηση/ απενε-



γοποίηση αυτής τη μονάδας, η οποία προσφέρει κυκλοφορία στο ψυγείο αέρα υγιεινού και απαλλαγμένου από οσμές, πατήστε

παρατεταμένα το κουμπί (P<sub>3</sub>) για 3 δευτερόλεπτα. Βεβαιωθείτε ότι όταν είναι ενεργή η λειτουργία, εμφανίζεται στην οθόνη η ένδειξη (P), και η ένδειξη παύει να εμφανίζεται όταν απενεργοποιηθεί η λειτουργία.

Αφού ενεργοποιηθεί η λειτουργία όπως περιγράφηκε, αυτή λειτουργεί κατά διαστήματα χωρίς να χρειαστεί να πατήσετε πάλι οποιοδήποτε πλήκτρο. Αν ανοίξετε την πόρτα του θαλάμου συντήρησης ενώ είναι ενεργή η μονάδα αυτή, σταματά προσωρινά η λειτουργία του ανεμιστήρα και της LED UV-A, ενώ η λειτουργία τους συνεχίζεται αφού κλείσει η πόρτα. Σε περίπτωση διακοπής ρεύματος ενώ είναι ενεργή η λειτουργία, αφού αποκατασταθεί η παροχή ρεύματος η μονάδα θα συνεχίσει τη λειτουργία της από το σημείο που σταμάτησε.

**Σημείωση:** Για την αποτροπή δυσάρεστων οσμών από την ανάμειξη των οσμών διαφόρων τύπων τροφίμων, συνιστούμε να φυλάσσετε τρόφιμα που εκλύουν οσμές όπως τυρί, ελιές και αλλαντικά, μέσα στη συσκευασία τους και με κλειστά τα καλύμματα των δοχείων φαγητού όπου περιέχονται. Για την ασφάλεια άλλων τροφίμων που φυλάσσονται στον ίδιο θάλαμο, την εξασφάλιση υγιεινών συνθηκών φύλαξης και την αποτροπή δυσάρεστων οσμών, συνιστούμε να απομακρύνετε το συντομότερο δυνατόν από το ψυγείο τρόφιμα που διαπιστώνετε ότι έχουν αλλοιωθεί.

## 7.5 Περιοχή Ψυχρής φύλαξης Γαλακτοκομικών Προϊόντων

### Συρτάρι έντονης ψύξης

Το συρτάρι έντονης ψύξης μπορεί να επιτύχει χαμηλότερες θερμοκρασίες στο διαμέρισμα συντήρησης. Χρησιμοποιείτε αυτό το συρτάρι για να φυλάσσετε αλλαντικά και άλλα ευπαθή τρόφιμα (σαλάμι, λουκάνικα κλπ.) και γαλακτοκομικά προϊόντα που χρειάζονται χαμηλότερη θερμοκρασία φύλαξης ή για να φυλάσσετε κρέας, κοτόπουλο ή ψάρια που προορίζονται για κατα-

άλωση σε σύντομο χρονικό διάστημα. Αυτό το συρτάρι δεν είναι κατάλληλο για φύλαξη φρούτων και λαχανικών.

## 7.6 Αντιστροφή της πλευράς ανοίγματος των θυρών

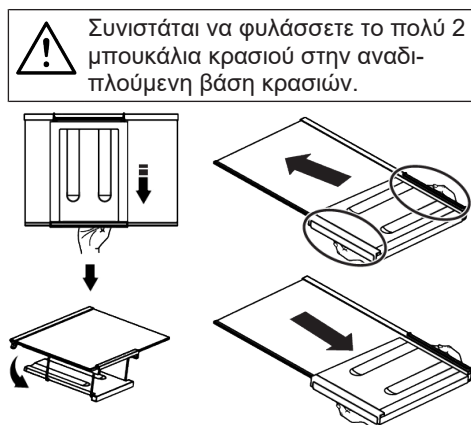
Η πλευρά ανοίγματος των θυρών του ψυγείου σας μπορεί να αντιστραφεί, ενδεχομένως για να ταιριάζει στη θέση όπου θέλετε να το τοποθετήσετε. Όταν χρειάζεται να γίνει αυτό, θα πρέπει οπωσδήποτε να καλέσετε το πλησιέστερο Εξουσιοδοτημένο Σέρβις.

## 7.7 Ειδιοποίηση ανοιχτής πόρτας

Ένας ηχητικός συναγερμός θα ηχήσει αν η πόρτα του προϊόντος παραμείνει ανοιχτή για 1 λεπτό. Ο ηχητικός συναγερμός θα σταματήσει όταν κλείσετε την πόρτα του θαλάμου ή αν πατήσετε οποιοδήποτε κουμπί στην οθόνη (αν διατίθεται).

## 7.8 Αναδιπλούμενη βάση κρασιών

Επιτρέπει τη φύλαξη μπουκαλιών κρασιών αν χρειάζεται. Για να χρησιμοποιήσετε το τμήμα της βάσης, πιάστε το πλαστικό τμήμα και τραβήξτε το προσεκτικά προς τα κάτω. Τώρα μπορείτε να χρησιμοποιήσετε την αναδιπλούμενη βάση κρασιών.



Για να τοποθετήσετε την αναδιπλούμενη βάση κρασιών, πρώτα αφαιρέστε το γυάλινο ράφι από το ψυγείο. Τοποθετήστε την πάνω στο γυάλινο ράφι απτρωχοντας το πλαστικό τμήμα μέσα από τις μπροστινές

και πίσω αυλακώσεις όπως δείχνει η εικόνα. Το προϊόν θα είναι έτοιμο για χρήση με την αναδιπλούμενη βάση κρασιών. Για να αφαιρέσετε την αναδιπλούμενη βάση κρασιών, πρώτα αφαιρέστε το γυάλινο ράφι από το ψυγείο. Κατόπιν, πιάστε το πλαστικό τμήμα και τραβήξτε το προς οποιαδήποτε κατεύθυνση. Τώρα μπορείτε να χρησιμοποιήσετε το προϊόν χωρίς αναδιπλούμενη βάση κρασιών όταν χρειάζεται.

## 7.9 Αντικατάσταση του λαμπτήρα φωτισμού

Καλέστε το Εξουσιοδοτημένο Σέρβις όταν πρέπει να αντικατασταθεί ο λαμπτήρας/η μονάδα LED που χρησιμοποιείται για φωτισμό του ψυγείου σας.

Ο λαμπτήρας (οι λαμπτήρες) που χρησιμοποιούνται σε αυτή την συσκευή δεν μπορούν να χρησιμοποιηθούν για οικιακό φωτισμό. Ο σκοπός αυτού του λαμπτήρα είναι να βοηθά τον χρήστη να τοποθετεί τρόφιμα μέσα στο ψυγείο / καταψύκτη με ασφάλεια και άνεση.

## 8 Συντήρηση και καθαρισμός



### ΠΡΟΕΙΔΟΠΟΙΗΣΗ:

Διαβάστε πρώτα την ενότητα "Οδηγίες Ασφαλείας".



### ΠΡΟΕΙΔΟΠΟΙΗΣΗ:

Αποσυνδέστε το ψυγείο από το ρεύμα πριν το καθαρίσετε.

- Μη χρησιμοποιείτε για τον καθαρισμό του προϊόντος αιχμηρά εργαλεία ή εργαλεία που χαράζουν. Μη χρησιμοποιείτε ουσίες όπως οικιακά προϊόντα καθαρισμού, σαπούνι, απορρυπαντικά, πετρέλαιο, βενζίνη, αραιωτικό χρωμάτων, ιονόπνευμα, κερί κλπ.
- Θα πρέπει να αφαιρείτε την σκόνη από την σχάρα αερισμού στο πίσω μέρος του προϊόντος τουλάχιστον μία φορά το χρόνο (χωρίς να ανοίξετε το κάλυμμα). Καθαρίζετε το προϊόν με ένα ελαφρά υγρό πανί.

## 7.10 AeroFlow

Είναι ένα σύστημα διανομής του αέρα που προσφέρει ομοιόμορφη κατανομή της θερμοκρασίας. Με την κυκλοφορία του αέρα εξασφαλίζεται η ομοιόμορφη κατανομή της θερμοκρασίας στο διαμέρισμα φύλαξης νωπών τροφίμων, και οι διακυμάνσεις της θερμοκρασίας διατηρούνται σε χαμηλά επίπεδα. Δεν υπάρχει απευθείας φύσημα αέρα πάνω από τα τρόφιμα και αυτό βοηθά να μειώνεται η απώλεια υγρασίας. Με αυτόν τον τρόπο διατηρείται η φρεσκάδα των τροφίμων που φυλάσσονται στον θάλαμο συντήρησης του ψυγείου. Με αυτόν τον τρόπο τα τρόφιμά σας φυλάσσονται σε πιο σταθερές θερμοκρασίες και μειώνεται η επαφή με αέρα. Αποτρέπεται το στέγνωμα και η συρρίκνωση των τροφίμων από απώλεια υγρασίας και εξασφαλίζεται φρεσκάδα που διαρκεί περισσότερο.

- Φροντίστε να κρατήσετε το νερό μακριά από το κάλυμμα του λαμπτήρα και από άλλα ηλεκτρικά εξαρτήματα.
- Καθαρίστε την πόρτα της συσκευής με ένα ελαφρώς υγρό πανί. Αφαιρέστε όλα τα περιεχόμενα για να αφαιρέσετε τα ράφια της πόρτας και του κορμού. Αφαιρέστε τα ράφια της πόρτας τραβώντας τα προς τα πάνω. Καθαρίστε και στεγνώστε τα ράφια, και στην συνέχεια τοποθετήστε τα στην θέση τους από το πάνω μέρος.
- Μη χρησιμοποιείτε χλωρίνη ή παρόμοια καθαριστικά προϊόντα στην εξωτερική επιφάνεια και στα επιχρωμιωμένα εξαρτήματα του προϊόντος. Η χλωρίνη θα οδηγήσει σε δημιουργία σκουριάς σε αυτές τις μεταλλικές επιφάνειες.
- Μη χρησιμοποιείτε αιχμηρά εργαλεία και εργαλεία που χαράζουν, σαπούνι, προϊόντα καθαρισμού οικιακής χρήσης, απορρυπαντικά, πετρέλαιο, βενζίνη, βερνίκι και παρόμοιες ουσίες, για να προστατεύσετε τα πλαστικά εξαρτήματα από παρα-

μόρφωση και από αφαίρεση τυπωμένων ενδείξεων. Χρησιμοποιείτε χλιαρό νερό και ένα απαλό ύφασμα για τον καθαρισμό, και στην συνέχεια στεγνώνετε τη συσκευή.

- Σε μοντέλα χωρίς λειτουργία No-Frost, μπορεί να προκύψει σχηματισμός σταγονιδίων νερού και δημιουργία πάγου με πάχος έως ενός δαχτύλου στο πίσω τοίχωμα του θαλάμου καταψύκτη. Μην το καθαρίζετε, και ποτέ μη χρησιμοποιήσετε λάδια ή παρόμοια υλικά.
- Χρησιμοποιείτε ένα ελαφρώς υγρό ύφασμα από μικροΐνες για να καθαρίσετε την εξωτερική επιφάνεια του προϊόντος. Σφουγγάρια και άλλα είδη καθαριστικών υφασμάτων μπορεί να προκαλέσουν γρατσουνιές.
- Για να καθαρίσετε όλα τα αφαιρούμενα εξαρτήματα κατά τον καθαρισμό της εσωτερικής επιφάνειας του προϊόντος, πλύνετε αυτά τα μέρη με ένα ήπιο διάλυμα το οποίο αποτελείται από σαπούνι, νερό και μαγειρική σόδα. Καθαρίστε και σκουπίστε προσεκτικά. Αποτρέψτε την επαφή νερού με τα εξαρτήματα φωτισμού και τον πίνακα ελέγχου.



#### ΠΡΟΣΟΧΗ:

Μη χρησιμοποιείτε ξύδι, μετουσιωμένο οινόπνευμα ή άλλα αλκοολούχα υλικά σε οποιαδήποτε εσωτερική επιφάνεια.

## 9 Αντιμετώπιση προβλημάτων

Ελέγξτε αυτή τη λίστα πριν απευθυνθείτε στο σέρβις. Αν το κάνετε αυτό, θα εξοικονομήσετε χρόνο και χρήματα. Αυτή η λίστα περιλαμβάνει συχνά παράπονα που δεν έχουν σχέση με ελαττωματική εργασία ή υλικά. Ορισμένες λειτουργίες που αναφέρονται εδώ ίσως να μην έχουν εφαρμογή στο προϊόν που έχετε.

### Το ψυγείο δεν λειτουργεί.

- Το φινις ρευματοληψίας δεν έχει εισαχθεί πλήρως. >>> Συνδέστε το ώστε να εισέλθει πλήρως στην πρίζα.

### Εξωτερικές επιφάνειες από ανοξείδωτο χάλυβα

Χρησιμοποιήστε ένα καθαριστικό που δεν χαράζει και εφαρμόστε το με ένα απαλό ύφασμα που δεν αφήνει χνούδι. Για να γυαλίσετε την επιφάνεια, σκουπίστε την απαλά με ένα ύφασμα μικροΐνων που έχετε υγράνει ελαφρά με νερό και χρησιμοποιήστε σαμουά για στεγνό γυάλισμα. Πάντα να ακολουθείτε τα νερά στον ανοξείδωτο χάλυβα.

### Καταπολέμηση δυσάρεστων οσμών

Το προϊόν έχει κατασκευαστεί χωρίς την χρήση προϊόντων που προκαλούν δυσοσμία. Ωστόσο, η διατήρηση τροφίμων σε ακατάλληλα τμήματα του προϊόντος και ο λανθασμένος καθαρισμός των εσωτερικών επιφανειών μπορεί να οδηγήσουν σε δυσοσμία.

- Για να το αποφύγετε, καθαρίζετε το εσωτερικό του με ανθρακούχο νερό κάθε 15 μέρες.
- Διατηρείτε τα τρόφιμα σε σφραγισμένα δοχεία, επειδή μικροοργανισμού από δοχεία που φυλάσσονται σε μη σφραγισμένα δοχεία θα προκαλέσουν την ανάπτυξη δυσάρεστων οσμών.
- Μη διατηρείτε μέσα στο ψυγείο τρόφιμα που έχουν αλλοιωθεί ή λήξει.

### Προστασία των πλαστικών επιφανειών

Αν χυθεί λάδι σε πλαστικές επιφάνειες, αυτό μπορεί να προκαλέσει ζημιά στην επιφάνεια και θα πρέπει να καθαριστεί άμεσα με χλιαρό νερό.

- Έχει καεί η ασφάλεια που συνδέεται στην πρίζα που τροφοδοτεί το προϊόν ή η γενική ασφάλεια. >>> Ελέγξτε την ασφάλεια.

### Η συμπίκνωση του πλευρικού τοιχώματος του θαλάμου συντήρησης (MULTI ZONE, COOL CONTROL και FLEXI ZONE).

- Η πόρτα ανοίγεται πολύ συχνά. >>> Προσέχετε να μην ανοίγετε πολύ συχνά την πόρτα του προϊόντος.
- Το περιβάλλον είναι πολύ υγρό. >>> Μην εγκαθιστάτε το προϊόν σε υγρό περιβάλλον.

- Τρόφιμα που περιέχουν υγρά φυλάσσονται σε μη σφραγισμένα δοχεία. >>> Διατηρείτε σε σφραγισμένα δοχεία τα τρόφιμα που περιέχουν υγρά.
- Η πόρτα του προϊόντος έχει μείνει ανοικτή. >>> Μην αφήνετε την πόρτα του προϊόντος ανοικτή για μεγάλα χρονικά διαστήματα.
- Ο θερμοστάτης έχει ρυθμιστεί σε πολύ κρύα θερμοκρασία. >>> Ρυθμίστε τον θερμοστάτη σε κατάλληλη θερμοκρασία.

### **Ο συμπιεστής δεν λειτουργεί.**

- Σε περίπτωση αιφνίδιας διακοπής ρεύματος ή αποσύνδεσης του φιν ρευματοληψίας από την πρίζα και επανασύνδεσής του, η πίεση αερίου στο ψυκτικό σύστημα του προϊόντος δεν είναι ισορροπημένη, με αποτέλεσμα να ενεργοποιείται η θερμική προστασία του συμπιεστή. Το προϊόν θα αρχίσει πάλι να λειτουργεί μετά από περίπου 6 λεπτά. Αν η λειτουργία του προϊόντος δεν ξεκινήσει πάλι μετά από αυτό το χρονικό διάστημα, απευθυνθείτε στο σέρβις.
- Η απόψυξη είναι ενεργή. >>> Αυτό είναι φυσιολογικό για προϊόν με πλήρως αυτόματη απόψυξη. Η απόψυξη λαμβάνει χώρα περιοδικά.
- Το προϊόν δεν έχει συνδεθεί στην πρίζα. >>> Βεβαιωθείτε ότι έχει συνδεθεί το καλώδιο ρεύματος.
- Η ρύθμιση θερμοκρασίας είναι λανθασμένη. >>> Επιλέξτε την κατάλληλη ρύθμιση θερμοκρασίας.
- Έγινε διακοπή ρεύματος. >>> Το προϊόν θα συνεχίσει να λειτουργεί κανονικά όταν αποκατασταθεί η παροχή ρεύματος.

### **Ο θόρυβος λειτουργίας του ψυγείου αυξάνεται κατά τη χρήση.**

- Η απόδοση λειτουργίας του προϊόντος μπορεί να διαφέρει, ανάλογα με τις μεταβολές της θερμοκρασίας περιβάλλοντος. Αυτό είναι φυσιολογικό και δεν οφείλεται σε βλάβη.

### **Το ψυγείο τίθεται σε λειτουργία πολύ συχνά ή όχι για πολύ χρόνο.**

- Το καινούργιο προϊόν μπορεί να είναι μεγαλύτερο από το προηγούμενο. Οι μεγαλύτερες συσκευές τίθενται σε λειτουργία για μεγαλύτερα χρονικά διαστήματα.
- Η θερμοκρασία του χώρου μπορεί να είναι υψηλή. >>> Το προϊόν κανονικά θα λειτουργεί για μεγαλύτερα χρονικά διαστήματα αν είναι μεγαλύτερη η θερμοκρασία του χώρου.
- Το προϊόν μπορεί να έχει συνδεθεί πρόσφατα στην πρίζα ή μπορεί να τοποθετήθηκαν νέα τρόφιμα στο εσωτερικό του. >>> Θα χρειαστεί περισσότερος χρόνος για να φθάσει το προϊόν τη ρυθμισμένη θερμοκρασία αν συνδέθηκε πρόσφατα στην πρίζα ή τοποθετήθηκαν νέα τρόφιμα στο εσωτερικό του. Αυτό είναι φυσιολογικό.
- Μπορεί να τοποθετήθηκαν πρόσφατα μεγάλες ποσότητες ζεστών τροφίμων μέσα στο προϊόν. >>> Μην τοποθετείτε ζεστά τρόφιμα μέσα στο προϊόν.
- Οι πόρτες του προϊόντος ανοίγονταν συχνά ή έμειναν ανοικτές πολλή ώρα. >>> Ο ζεστός αέρας που εισέρχεται, θα κάνει το προϊόν να λειτουργεί περισσότερη ώρα. Μην ανοίγετε την πόρτα υπερβολικά συχνά.
- Η πόρτα του καταψύκτη ή του ψυγείου μπορεί να μην έχει κλείσει καλά. >>> Ελέγξτε ότι οι πόρτες έχουν κλείσει καλά.
- Το προϊόν μπορεί να έχει ρυθμιστεί σε πολύ χαμηλή θερμοκρασία. >>> Ρυθμίστε μεγαλύτερη θερμοκρασία και περιμένετε να επιτύχει το προϊόν τη ρυθμισμένη θερμοκρασία.
- Η στεγανοποίηση της πόρτας του θαλάμου συντήρησης ή καταψύκτη μπορεί να είναι λερωμένη, φθαρμένη, σπασμένη ή να μην εδράζει σωστά. >>> Καθαρίστε ή αντικαταστήστε τη στεγανοποίηση. Αν η στεγανοποίηση της πόρτας του προϊόντος έχει υποστεί ζημιά / φθορά, το προϊόν θα λειτουργεί για μεγαλύτερα διαστήματα, για να διατηρήσει την τρέχουσα θερμοκρασία.

### **Η θερμοκρασία του θαλάμου καταψύκτη είναι πολύ χαμηλή, αλλά η θερμοκρασία του θαλάμου συντήρησης είναι επαρκής.**

- Η θερμοκρασία του θαλάμου καταψύκτη έχει ρυθμιστεί σε πολύ χαμηλή τιμή. >>> Ρυθμίστε τη θερμοκρασία του θαλάμου καταψύκτη σε υψηλότερη τιμή και ελέγξτε πάλι.

### **Η θερμοκρασία του θαλάμου συντήρησης είναι πολύ χαμηλή, αλλά η θερμοκρασία του θαλάμου καταψύκτη είναι επαρκής.**

- Η θερμοκρασία του θαλάμου συντήρησης έχει ρυθμιστεί σε πολύ χαμηλή τιμή. >>> Ρυθμίστε τη θερμοκρασία του θαλάμου συντήρησης σε υψηλότερη τιμή και ελέγξτε πάλι.

### **Τα τρόφιμα που φυλάσσονται στα συμπάρκια του θαλάμου συντήρησης είναι παγωμένα.**

- Η θερμοκρασία του θαλάμου συντήρησης έχει ρυθμιστεί σε πολύ χαμηλή τιμή. >>> Ρυθμίστε τη θερμοκρασία του θαλάμου συντήρησης σε υψηλότερη τιμή και ελέγξτε πάλι.

### **Η θερμοκρασία στον θάλαμο συντήρησης ή καταψύκτη είναι πολύ υψηλή.**

- Η θερμοκρασία του θαλάμου συντήρησης έχει ρυθμιστεί σε πολύ υψηλή τιμή. >>> Η ρύθμιση θερμοκρασίας του θαλάμου συντήρησης έχει επίδραση στη θερμοκρασία του θαλάμου καταψύκτη. Αλλάξτε τη θερμοκρασία του θαλάμου συντήρησης ή καταψύκτη και περιμένετε έως ότου η θερμοκρασία του αντίστοιχου τμήματος φθάσει σε ικανοποιητικό επίπεδο.
- Οι πόρτες του προϊόντος ανοίγονταν συχνά ή έμεναν ανοικτές πολλή ώρα. >>> Μην ανοίγετε τις πόρτες της συσκευής υπερβολικά συχνά.
- Η πόρτα μπορεί να είναι μισάνοιχτη. >>> Κλείστε τελείως την πόρτα.
- Το προϊόν μπορεί να έχει συνδεθεί πρόσφατα στην πρίζα ή μπορεί να τοποθετήθηκαν νέα τρόφιμα στο εσωτερικό του. >>> Αυτό είναι φυσιολογικό. Θα χρειαστεί περισσότερος χρόνος για να φθάσει το προϊόν τη ρυθμισμένη θερμο-

κρασία, αν συνδέθηκε πρόσφατα στην πρίζα ή τοποθετήθηκαν νέα τρόφιμα στο εσωτερικό του.

- Μπορεί να τοποθετήθηκαν πρόσφατα μεγάλες ποσότητες ζεστών τροφίμων μέσα στο προϊόν. >>> Μην τοποθετείτε ζεστά τρόφιμα μέσα στο προϊόν.

### **Κραδασμοί ή θόρυβοι.**

- Η επιφάνεια δεν είναι επίπεδη ή δεν είναι ανθεκτική >>> Αν το προϊόν ταλαντεύεται όταν το μετακινείτε ελαφρά, ρυθμίστε τις βάσεις του για να ο ισορροπήσετε. Επίσης βεβαιωθείτε ότι το δάπεδο έχει αρκετή φέρουσα ικανότητα ώστε να αντέχει το βάρος του προϊόντος.
- Είδη που έχουν τοποθετηθεί πάνω στο προϊόν μπορεί να προκαλούν θόρυβο. >>> Αφαιρέστε οποιαδήποτε είδη έχουν τοποθετηθεί πάνω στο προϊόν.
- Το προϊόν παράγει θόρυβο ροής υγρού, ψεκασμού κλπ.
- Οι αρχές λειτουργίας του προϊόντος περιλαμβάνουν ροή υγρού και αερίου. >>> Αυτό είναι φυσιολογικό και δεν οφείλεται σε βλάβη.

### **Ακούγεται φύσημα αέρα από το προϊόν.**

- Το προϊόν χρησιμοποιεί ανεμιστήρα ως μέρος της διαδικασίας ψύξης. Αυτό είναι φυσιολογικό και δεν οφείλεται σε βλάβη.

### **Υπάρχει συμπύκνωση στα εσωτερικά τοιχώματα του προϊόντος.**

- Ο θερμός ή υγρός καιρός μπορεί να αυξήσει τη συσσώρευση πάγου και τη συμπύκνωση. Αυτό είναι φυσιολογικό και δεν οφείλεται σε βλάβη.
- Οι πόρτες του προϊόντος ανοίγονταν συχνά ή έμεναν ανοικτές πολλή ώρα. >>> Μην ανοίγετε τις πόρτες του προϊόντος πολύ συχνά, αν υπάρχει ανοικτή πόρτα κλείστε την.
- Η πόρτα μπορεί να είναι μισάνοιχτη. >>> Κλείστε τελείως την πόρτα.

### **Υπάρχει συμπύκνωση στις εξωτερικές επιφάνειες του προϊόντος ή ανάμεσα στις πόρτες του.**

- Ο καιρός μπορεί να είναι υγρός, αυτό είναι φυσιολογικό φαινόμενο σε υγρό καιρό. >>> Η συμπύκνωση θα πάψει όταν μειωθεί η υγρασία.

## **Δυσοσμία στο εσωτερικό του προϊ- όντος.**

- Το προϊόν δεν καθαρίζεται τακτικά. >>> Καθαρίζετε το εσωτερικό τακτικά με σφουγγάρι, χλιαρό νερό και διάλυμα μαγειρικής σόδας σε νερό.
- Ορισμένα δοχεία και υλικά συσκευασίας μπορεί να προκαλέσουν τη δημιουργία οσμών. >>> Χρησιμοποιείτε δοχεία και υλικά συσκευασίας που δεν παράγουν οσμές.
- Τα τρόφιμα τοποθετήθηκαν σε μη σφραγισμένα δοχεία. >>> Διατηρείτε τα τρόφιμα σε σφραγισμένα δοχεία. Από τα μη σφραγισμένα τρόφιμα μπορεί να εξαπλωθούν μικροοργανισμοί που προκαλούν δυσοσμία.
- Απομακρύνετε από το προϊόν τυχόν τρόφιμα που έχουν λήξει ή αλλοιωθεί.

## **Η πόρτα του προϊόντος δεν κλείνει.**

- Ενδεχομένως η πόρτα εμποδίζεται από συσκευασίες τροφίμων. >>> Αλλάξτε θέση σε τυχόν είδη που εμποδίζουν τις πόρτες του προϊόντος.
- Το προϊόν δεν στέκεται σε τελείως όρθια θέση πάνω στο δάπεδο. >>> Ρυθμίστε τα πόδια του προϊόντος για να το ισορροπήσετε σωστά.
- Η επιφάνεια δεν είναι επίπεδη ή δεν είναι ανθεκτική >>> Βεβαιωθείτε ότι η επιφάνεια είναι επίπεδη και αρκετά ανθεκτική για το βάρος του προϊόντος.

## **ΑΠΟΠΟΙΗΣΗ ΕΥΘΥΝΩΝ / ΠΡΟΕΙΔΟΠΟΙΗΣΗ**

Ορισμένα (απλά) προβλήματα μπορούν να αντιμετωπιστούν ικανοποιητικά από τον τελικό χρήστη χωρίς να προκύπτει κάποιο πρόβλημα ασφάλειας ή μη ασφαλής χρήσης, εφόσον οι διορθωτικές ενέργειες πραγματοποιούνται μέσα στα όρια και σύμφωνα με τις οδηγίες που ακολουθούν (δείτε την ενότητα "Εξ ιδίων επισκευή").

Επομένως, εκτός αν επιτρέπεται διαφορετικά στην παρακάτω ενότητα "Εξ ιδίων επισκευή", οι επισκευές θα πρέπει να ανατίθενται σε αναγνωρισμένους επαγγελματίες τεχνικούς επισκευών, για την αποφυγή προβλημάτων όσον αφορά την ασφάλεια. Ένας αναγνωρισμένος επαγγελματίας τεχνικός επισκευών είναι ένας επαγγελματίας τεχνι-

## **Το συρτάρι λαχανικών έχει σφηνώσει.**

- Τα τρόφιμα μπορεί να έρχονται σε επαφή με το πάνω τμήμα του συρταριού. >>> Αναδιατάξτε τα τρόφιμα μέσα στο συρτάρι.

## **Θερμοκρασία στην επιφάνεια του προϊ- όντος**

- Μπορεί να παρατηρείται υψηλή θερμοκρασία ανάμεσα στις δύο πόρτες του προϊόντος, στα πλευρικά πλαίσια και στην πίσω σχάρα, όταν είναι σε ενεργή λειτουργία το προϊόν. Αυτό αποτελεί μέρος της φυσιολογικής λειτουργίας και δεν απαιτείται σέρβις.

## **Ο ανεμιστήρας συνεχίζει να λειτουργεί όταν είναι ανοικτή η πόρτα του προϊ- όντος.**

- Ο ανεμιστήρας μπορεί να παραμένει σε λειτουργία όταν είναι ανοικτή η πόρτα του θαλάμου καταψύκτη.



**ΠΡΟΕΙΔΟΠΟΙΗΣΗ:** Αν το πρόβλημα επιμένει αφού ακολουθήσετε τις οδηγίες στην ενότητα αυτή, επικοινωνήστε με τον τοπικό σας έμπορο ή με ένα Εξουσιοδοτημένο Σέρβις. Μην επιχειρήσετε να επισκευάσετε μόνοι σας το προϊόν. Αυτό είναι φυσιολογικό.

κός επισκευών στον οποίο έχει δοθεί από τον κατασκευαστή πρόσβαση στις οδηγίες και στον κατάλογο ανταλλακτικών του προϊόντος σύμφωνα με τις μεθόδους που περιγράφονται σε νομοθετικές πράξεις με βάση την Οδηγία 2009/125/EK.

**Ωστόσο, μόνο ο εκπρόσωπος σέρβις (δηλ. εξουσιοδοτημένοι επαγγελματίες τεχνικοί επισκευών) με τον οποίο μπορείτε να επικοινωνήσετε μέσω του αριθμού τηλεφώνου που αναφέρεται στο εγχειρίδιο χρήσης/στην κάρτα εγγύησης ή μέσω του τοπικού σας εξουσιοδοτημένου καταστήματος μπορεί να παρέχει σέρβις σύμφωνα με τους όρους της εγγύησης. Επομένως, έχετε υπόψη σας**

**ΌΤΙ ΟΙ ΕΠΙΣΚΕΥΕΣ ΑΠΟ ΕΠΑΓΓΕΛΜΑΤΙΕΣ ΤΕΧΝΙΚΟΥΣ ΕΠΙΣΚΕΥΩΝ (ΟΙ ΟΠΟΙΟΙ ΔΕΝ ΕΙΝΑΙ ΕΞΟΥΣΙΟΔΟΤΗΜΕΝΟΙ ΑΠΟ ΤΗ ΒΕΚΟ) ΘΑ ΚΑΤΑΣΤΗΣΟΥΝ ΑΚΥΡΗ ΤΗΝ ΕΓΓΥΗΣΗ.**

### **ΕΞ ΙΔΙΩΝ ΕΠΙΣΚΕΥΗ**

Εξ ιδίων επισκευή μπορεί να γίνει από τον τελικό χρήστη όσον αφορά τα εξής ανταλλακτικά: λαβές θυρών, μεντεσέδες θυρών, δίσκοι, καλάθια και στεγανοποιήσεις πόρτας (ενημερωμένος κατάλογος είναι διαθέσιμος και στη διεύθυνση [support.beko.com](http://support.beko.com) από την 1η Μαρτίου 2021).

Επιπλέον, για τη διασφάλιση της ασφάλειας του προϊόντος και για την αποτροπή κινδύνου σοβαρού τραυματισμού, η αναφερθείσα εξ ιδίων επισκευή θα πρέπει γίνεται με τήρηση των οδηγιών στο εγχειρίδιο χρήστη σχετικά με την εξ ιδίων επισκευή ή των οδηγιών που είναι διαθέσιμες στη διεύθυνση [support.beko.com](http://support.beko.com). Για την ασφάλειά σας, αποσυνδέστε από την πρίζα το προϊόν πριν επιχειρήσετε οποιαδήποτε εξ ιδίων επισκευή.

Επισκευή και προσπάθειες επισκευής από τελικούς χρήστες για εξαρτήματα που δεν περιλαμβάνονται σε έναν τέτοιο κατάλογο και/ή χωρίς τήρηση των οδηγιών στα εγχειρίδια χρήστη για εξ ιδίων επισκευή ή οι οποίες είναι διαθέσιμες στη διεύθυνση [support.beko.com](http://support.beko.com), μπορεί να δημιουργήσουν προβλήματα ασφάλειας που δεν μπορούν να αποδοθούν στη Beko, και θα ακυρώσουν την εγγύηση του προϊόντος.

Επομένως, συνιστάται ιδιαίτερα, οι τελικοί χρήστες να απέχουν από προσπάθειες διενέργειας επισκευών που δεν εμπίπτουν στον αναφερθέντα κατάλογο ανταλλακτικών, απευθυνόμενοι σε αυτές τις περι-

πτώσεις σε εξουσιοδοτημένους επαγγελματίες τεχνικούς επισκευών ή σε αναγνωρισμένους επαγγελματίες τεχνικούς επισκευών. Αντιθέτως, τέτοιου είδους προσπάθειες από τελικούς χρήστες μπορεί να προκαλέσουν προβλήματα ασφάλειας και να προξενήσουν ζημιά στο προϊόν και κατά συνέπεια να προκαλέσουν πυρκαγιά, πλημμύρα, ηλεκτροπληξία και σοβαρό τραυματισμό.

Για παράδειγμα, αλλά χωρίς περιορισμό σε αυτές, οι ακόλουθες επισκευές πρέπει να ανατίθενται σε εξουσιοδοτημένους επαγγελματίες τεχνικούς επισκευών ή σε αναγνωρισμένους επαγγελματίες τεχνικούς επισκευών: επισκευές σε συμπιεστή, ψυκτικό κύκλωμα, κύρια πλακέτα, πλακέτα αντιστροφέα, πλακέτα οθόνης κλπ.

Ο κατασκευαστής/πωλητής δεν μπορεί να θεωρηθεί υπεύθυνος σε καμία περίπτωση μη συμμόρφωσης των τελικών χρηστών με τα οριζόμενα παραπάνω.

Ο χρόνος διαθεσιμότητας ανταλλακτικών για το ψυγείο που προμηθευτήκατε ανέρχεται σε 10 έτη. Στη διάρκεια αυτής της περιόδου θα υπάρχουν διαθέσιμα γνήσια ανταλλακτικά για τη σωστή λειτουργία του ψυγείου

Η ελάχιστη διάρκεια της εγγύησης του ψυγείου που προμηθευτήκατε είναι 24 μήνες. Το προϊόν αυτό είναι εξοπλισμένο με πηγή φωτισμού ενεργειακής κλάσης "G".

Η πηγή φωτισμού στο προϊόν αυτό θα πρέπει να αντικαθίσταται μόνο από επαγγελματία τεχνικό επισκευών

Δείτε επίσης

2 DISCLAIMER / WARNING [ ] 27]

