

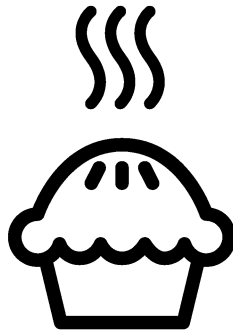


Oven

User Manual

Tungku Pemasak

Panduan pengguna



GG 15115 DX-GG 15114 DX-GG 15114 DW
GG 15114 GX-GG 15114 GW

EN / IN

485.9307.94/R.AC/24.09.2020/2-1

7759888908-7759888960-7759888961-7759888901-7759888903

Please read this user manual first!

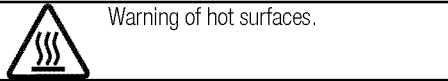
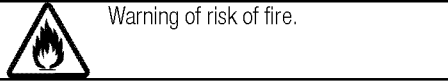
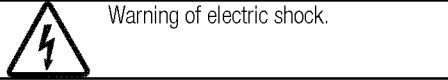
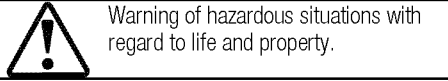
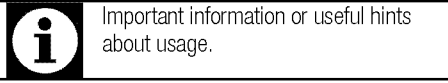
Dear Customer,

Thank you for purchasing this Beko product. We hope that you get the best results from your product which has been manufactured with high quality and state-of-the-art technology. Therefore, please read this entire user manual and all other accompanying documents carefully before using the product and keep it as a reference for future use. If you handover the product to someone else, give the user manual as well. Follow all warnings and information in the user manual.

Remember that this user manual is also applicable for several other models. Differences between models will be identified in the manual.

Explanation of symbols

Throughout this user manual the following symbols are used:



Arçelik A.Ş.

Karaağaç caddesi No:2-6
34445 Sütlüce/İstanbul/TURKEY

Made in TURKEY



TABLE OF CONTENTS

1 Important instructions and warnings for safety and environment 4

General safety	4
Safety when working with gas.....	4
Electrical safety	6
Product safety	7
Intended use	9
Safety for children.....	9
Disposing of the old product.....	9
Package information	10
Future Transportation.....	10

2 General information 11

Overview	11
Package contents	12
Technical specifications	13
Injector table	13

3 Installation 14

Before installation	14
Installation and connection	16

4 Preparation 20

Tips for saving energy	20
Initial use.....	20
First cleaning of the appliance	20
Initial heating.....	20

5 How to use the hob 21

General information about cooking	21
Using the hobs.....	21

6 How to operate the oven 23

General information on baking, roasting and grilling.....	23
How to use the gas oven.....	23
Cooking times table.....	24
How to operate the gas grill	25
Cooking times table.....	26

7 Maintenance and care 27

General information.....	27
Cleaning the hob	27
Cleaning the control panel	27
Cleaning the oven	28
Removing the oven door	28
Removing the door inner glass	29
Replacing the oven lamp.....	29

8 Troubleshooting 31

1 Important instructions and warnings for safety and environment

This section contains safety instructions that will help protect from risk of personal injury or property damage. Failure to follow these instructions shall void any warranty.

General safety

- This appliance can be used by children aged from 8 years and above and persons with reduced physical, sensory or mental capabilities or lack of experience and knowledge if they have been given supervision or instruction concerning use of the appliance in a safe way and understand the hazards involved.

Children shall not play with the appliance. Cleaning and user maintenance shall not be made by children without supervision.

- The appliance is not to be used by persons (including children) with reduced physical, sensory or mental capabilities, or lack of experience and knowledge, unless they have been given supervision or instruction. Children should be supervised and ensure they do not play with the appliance
- If the product is handed over to someone else for personal use or second-hand use purposes, the

user manual, product labels and other relevant documents and parts should be also given.

- Never place the product on a carpet-covered floor. Otherwise, lack of airflow beneath the product will cause electrical parts to overheat. This will cause problems with your product.
- Installation and repair procedures must always be performed by Authorised Service Agents. The manufacturer shall not be held responsible for damages arising from procedures carried out by unauthorised persons which may also void the warranty. Before installation, read the instructions carefully.
- Do not operate the product if it is defective or has any visible damage.
- Ensure that the product function knobs are switched off after every use.

Safety when working with gas

- Any works on gas equipment and systems may only be carried out by authorised qualified persons who are Gas Safe registered.
- Prior to the installation, ensure that the local distribution conditions (nature of the gas and

- gas pressure) and the adjustment of the appliance are compatible.
- This appliance is not connected to a combustion products or evacuation device. It shall be installed and connected in accordance with current installation regulations. Particular attention shall be given to the relevant requirements regarding ventilation; See *Before installation, page 14*
 - CAUTION: The use of gas cooking appliance results in the production of heat and moisture in the room in which it is installed. Ensure that the kitchen is well ventilated: keep natural ventilation holes open or install a mechanical ventilation device (mechanical extractor hood). Prolonged intensive use of the appliance may call for additional ventilation, for example increasing the level of the mechanical ventilation where present.
 - Gas appliances and systems must be regularly checked for proper functioning. Regulator, hose and its clamp must be checked regularly and replaced within the periods recommended by its manufacturer or when necessary.
 - Clean the gas burners regularly. The flames should be blue and burn evenly.
 - This product should be used in a room which incorporates a properly adjusted and functioning Carbon Monoxide sensor. Make sure the Carbon Monoxide sensor works properly and is maintained frequently. Carbon Monoxide sensor should be installed maximum 2 meters away from the product.
 - Good combustion is required in gas appliances. In case of incomplete combustion, carbon monoxide (CO) might develop. Carbon monoxide is a colourless, odourless and very toxic gas, which has a lethal effect even in very small doses.
 - Request information about gas emergency telephone numbers and safety measures in case of gas smell from you local gas provider.

What to do when you smell gas

- Do not use open flame or do not smoke. Do not operate any electrical buttons (e.g. lamp button, door bell and etc.) Do not use fixed or mobile phones. Risk of explosion and toxication!
- Open doors and windows.
- Turn off all valves on gas appliances and gas meter at the main control valve, unless it's in a confined space or cellar.

- Check all tubes and connections for tightness. If you still smell gas leave the property.
- Warn the neighbours.
- Call the fire-brigade. Use a telephone outside the house.
- Do not re-enter the property until you are told it is safe to do so.

Electrical safety

- If the product has a failure, it should not be operated unless it is repaired by an Authorised Service Agent. There is the risk of electric shock!
- Only connect the product to a grounded outlet/line with the voltage and protection as specified in the "Technical specifications". Have the grounding installation made by a qualified electrician while using the product with or without a transformer. Our company shall not be liable for any problems arising due to the product not being earthed in accordance with the local regulations.
- Never wash the product by spreading or pouring water onto it! There is the risk of electric shock!
- Never touch the plug with wet hands! Never unplug by pulling on the cable, always pull out by holding the plug.
- The product must be disconnected during installation, maintenance, cleaning and repairing procedures.
- If the power connection cable for the product is damaged, it must be replaced by the manufacturer, its service agent or similarly qualified persons in order to avoid a hazard.
- The appliance must be installed so that it can be completely disconnected from the mains supply. The separation must be provided by a switch built into the fixed electrical installation, according to construction regulations.
- Rear surface of the oven gets hot when it is in use. Make sure that the gas/electrical connection does not contact the rear surface; otherwise, connections can get damaged.
- Do not trap the mains cable between the oven door and frame and do not route it over hot surfaces. Otherwise, cable insulation may melt and cause fire as a result of short circuit.
- Any work on electrical equipment and systems should only be carried out by authorised and qualified persons.
- In case of any damage, switch off the product and disconnect it from the mains. To do this, turn off the fuse at home.

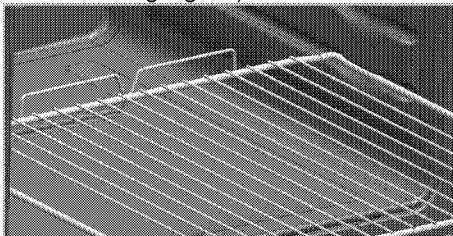
- Make sure that fuse rating is compatible with the product.

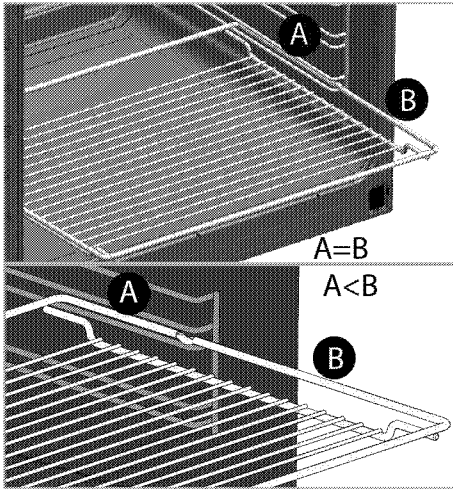
Product safety

- **WARNING:** The appliance and its accessible parts become hot during use. Care should be taken to avoid touching heating elements. Children less than 8 years of age shall be kept away unless continuously supervised.
- Never use the product when your judgment or coordination is impaired by the use of alcohol and/or drugs.
- Be careful when using alcoholic drinks in your dishes. Alcohol evaporates at high temperatures and may cause fire since it can ignite when it comes into contact with hot surfaces.
- Food Poisoning Hazard: Do not let food sit in oven for more than 1 hour before or after cooking. Doing so can result in food poisoning or sickness.
- Do not place any flammable materials close to the product as the sides may become hot during use.
- During use the appliances becomes hot. Care should be taken to avoid touching heating elements inside the oven.
- Keep all ventilation slots clear of obstructions.

- Do not heat closed tins and glass jars in the oven. The pressure that would build-up in the tin/jar may cause it to burst.
- Do not place baking trays, dishes or aluminium foil directly onto the bottom of the oven. The heat accumulation might damage the bottom of the oven.
- Do not use harsh abrasive cleaners or sharp metal scrapers to clean the oven door glass since they can scratch the surface, which may result in shattering of the glass.
- Do not use steam cleaners to clean the appliance as this may cause an electric shock.
- (Varies depending on the product model.)

Placing the wire shelf and tray onto the wire racks properly
It is important to place the wire shelf and/or tray onto the rack properly. Slide the wire shelf or tray between 2 rails and make sure that it is balanced before placing food on it (Please see the following figure).





- Do not use the product if the front door glass removed or cracked.
- Do not use the oven handle to hang towels for drying. Do not hang up towel, gloves, or similar textile products when the grill function is at open door.
- Always use heat resistant oven gloves when putting in or removing dishes into/from the hot oven.
- Place the baking paper into the cooking pot or on to the oven accessory (tray, wire grill etc) together with the food and then insert all into the preheated oven. Remove the excess parts of the baking paper overflowing from the accessory or the pot in order to prevent the risk of touching the oven's heating elements. Never use the baking paper in an operating temperature higher than the indicated value for the

baking paper. Do not place the baking paper directly on the base of the oven.

- **WARNING:** Ensure that power cord of the appliance is unplugged or circuit breaker is switched off before replacing the lamp to avoid the possibility of electric shock.
- Do not close the top cover before the hotplates or burners cool down.
Wipe the top cover dry before opening it in order to avoid water leakage to the rear and inner sections of the oven.
- The appliance must not be installed behind a decorative door in order to avoid overheating.
- Product must be placed directly on the floor. It must not be placed onto a base or a pedestal.
- **WARNING:** Unattended cooking on a hob with fat or oil can be dangerous and may result in fire. NEVER try to extinguish a fire with water, but switch off the appliance and then cover flame e.g. with a lid or a fire blanket.
- **CAUTION:** The cooking process has to be supervised. A short term cooking process has to be supervised continuously.
- **WARNING:** Danger of fire: Do not store items on the cooking surfaces.

Prevention against possible fire risk!

- Ensure all electrical connections are secure and tight to prevent risk of arcing.
- Do not use damaged cables or extension cables.
- Ensure liquid or moisture is not accessible to the electrical connection point.
- To prevent gas leakage ensure that the gas connection is sound.

Intended use

- This product is designed for domestic use. Commercial use will void the guarantee.
- **CAUTION:** This appliance is for cooking purposes only. It must not be used for other purposes, for example room heating.
- This product should not be used for warming the plates under the grill, drying towels, dish cloths etc. by hanging them on the oven door handles. This product should also not be used for room heating purposes.
- The manufacturer shall not be liable for any damage caused by improper use or handling errors.
- The oven can be used for defrosting, baking, roasting and grilling food.

Safety for children

- **WARNING:** Accessible parts may become hot during use. Young children should be kept away.

- The packaging materials will be dangerous for children. Keep the packaging materials away from children. Please dispose of all parts of the packaging according to environmental standards.
- Electrical and/or gas products are dangerous to children. Keep children away from the product when it is operating and do not allow them to play with the product.
- An additional protective means to avoid contact with the oven door is available. This part should be fitted when young children are likely to be present.
- Do not place any items above the appliance that children may reach for.
- When the door is open, do not load any heavy object on it and do not allow children to sit on it. It may overturn or door hinges may get damaged.

Disposing of the old product

Compliance with the WEEE Directive and Disposing of the Waste Product:



This product complies with EU WEEE Directive (2012/19/EU). This product bears a classification symbol for waste electrical and electronic equipment (WEEE).

This product has been manufactured with high quality parts and materials which can be reused and are suitable for recycling. Do not dispose of the waste product with normal domestic and other wastes at the end of its service life. Take it to the collection center for the recycling of electrical and electronic equipment.

Please consult your local authorities to learn about these collection centers.

Compliance with RoHS Directive:

The product you have purchased complies with EU RoHS Directive (2011/65/EU). It does not contain harmful and prohibited materials specified in the Directive.



Package information

- Packaging materials of the product are manufactured from recyclable materials in accordance with our National Environment Regulations. Do not dispose of the packaging materials together with the domestic or other wastes. Take them to the packaging material collection points designated by the local authorities.

Future Transportation

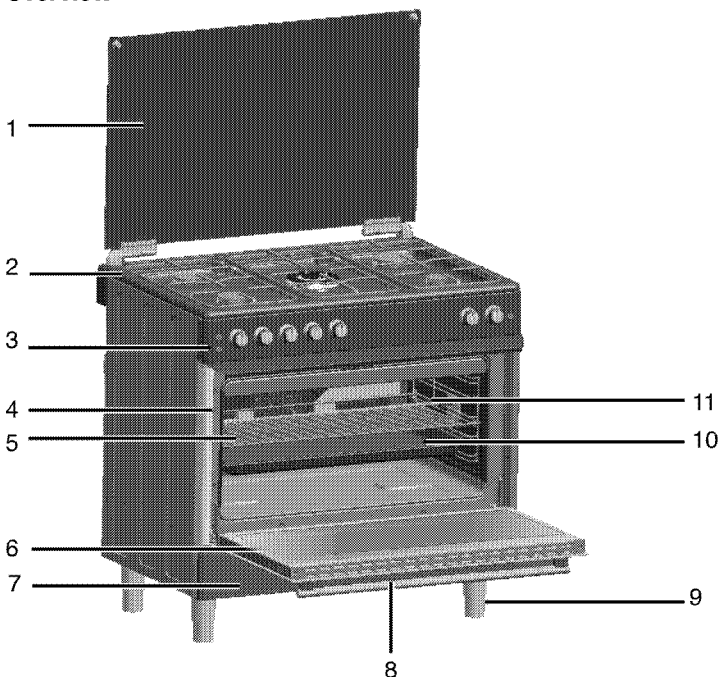
- Keep the product's original carton and transport the product in it. Follow the instructions on the carton. If you do not have the original carton, pack the product in bubble wrap or thick cardboard and tape it securely.

- To prevent the wire grill and tray inside the oven from damaging the oven door, place a strip of cardboard onto the inside of the oven door that lines up with the position of the trays. Tape the oven door to the side walls.
- Secure the caps and pan supports with adhesive tape.
- Do not use the door or handle to lift or move the product.

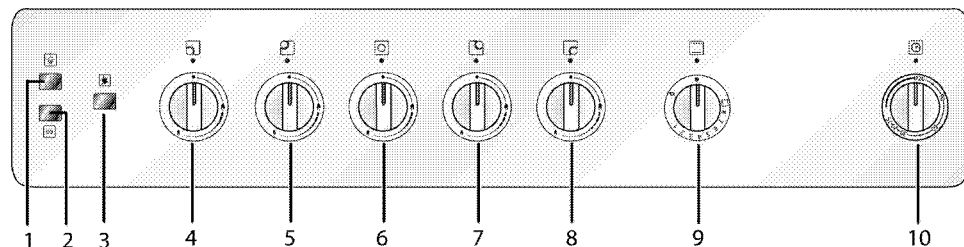
	Do not place any objects onto the product and move it in upright position.
	Check the general appearance of your product for any damages that might have occurred during transportation.

2 General information

Overview



- | | | | |
|---|-----------------|----|---------------------|
| 1 | Top lid | 7 | Storage Compartment |
| 2 | Burner plate | 8 | Handle |
| 3 | Control panel | 9 | Foot |
| 4 | Shelf positions | 10 | Tray |
| 5 | Wire shelf | 11 | Turnspit |
| 6 | Front door | | |



- | | | | |
|---|--------------------------|----|------------------------------|
| 1 | Lamp button | 6 | Wok burner Middle |
| 2 | Turnspit button | 7 | Rapid burner Rear right |
| 3 | Ignition button | 8 | Auxiliary burner Front right |
| 4 | Normal burner Front left | 9 | Oven knob |
| 5 | Normal burner Rear left | 10 | Mechanical timer |

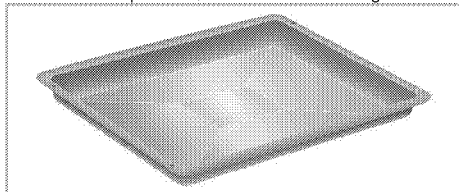
Package contents



Accessories supplied can vary depending on the product model. Not every accessory described in the user manual may exist on your product.

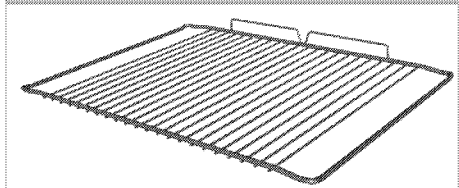
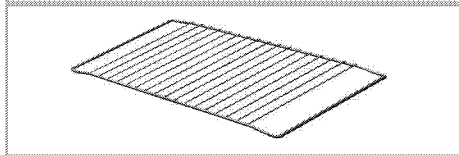
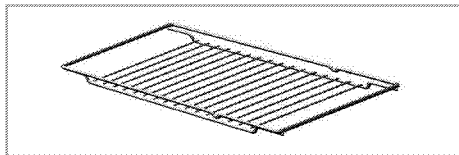
1. **User manual**
2. **Standard tray**

Used for pastries, frozen foods and big roasts.



3. **Wire grill**

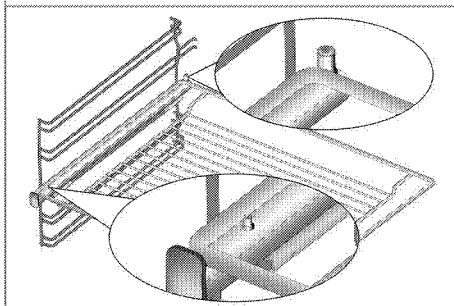
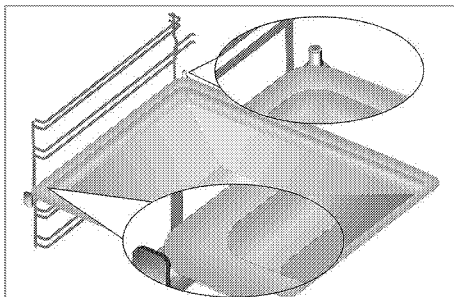
Used for roasting and for placing the food to be baked, roasted or cooked in casserole dishes to the desired rack.



4. **Placing the wire shelf and tray onto the telescopic racks properly (This feature is optional. It may not exist on your product.)**

Telescopic racks allow you to install and remove the trays and wire shelf easily.

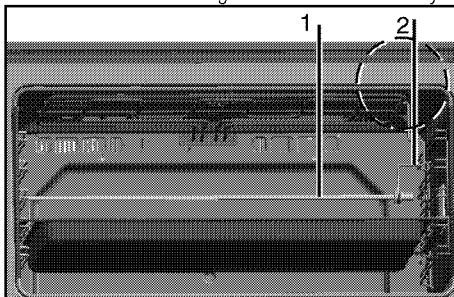
When using the tray and wire shelf with telescopic racks, make sure that the pins at the rear section of the telescopic rack stands against the edges of the wire shelf and tray.



5. **Rotisserie chicken**

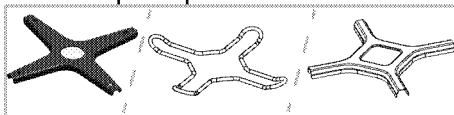
Used to grill meat, poultry and fish evenly from all sides.

- Fix the food to be grilled to the turn spit with the forks.
- Insert sharp edge of the turn spit into the driver on the left side of the oven cavity and hang up the other end into the turn spit hook on the right side of the oven cavity.



- 1 Turn spit
- 2 Turn spit hook

6. **Coffee pot adaptor**



Used for coffee pots.

Technical specifications

GENERAL	
External dimensions (height / width / depth)	850 mm/900 mm/600 mm
Voltage / frequency	220-240 V ~ 50 Hz
Cable type / section	min.H05VV-FG 3 x 0,75 mm ²
Gas type / pressure	G 30/28-30 mbar
Total gas consumption	15.5 kW
HOB	
Burners	
Front left	Normal burner
Power	2 kW
Rear left	Normal burner
Power	2 kW
Middle	Wok burner
Power	3.6 kW
Rear right	Rapid burner
Power	2.9 kW
Front right	Auxiliary burner
Power	1 kW
OVEN/GRILL	
Main oven	Gas oven
Inner lamp	230 V/15–25 W/E14 SES/T 300 °C
Grill power consumption	3.8 kW
Gas consumption of oven	4.0 kW



Technical specifications may be changed without prior notice to improve the quality of the product.



Figures in this manual are schematic and may not exactly match your product.



Values stated on the product labels or in the documentation accompanying it are obtained in laboratory conditions in accordance with relevant standards. Depending on operational and environmental conditions of the product, these values may vary.

Injector table

Position hob zone	2 kW Front left	2 kW Rear left	3.6 kW Middle	2.9 kW Rear right	1 kW Front right
Gas type / Gas pressure					
G 30/28-30 mbar	72	72	96	87	50
Gas type / Gas pressure	Gas oven			Grill	
G 30/28-30 mbar	100			96	

3 Installation

Product must be installed by a qualified person in accordance with the regulations in force. The manufacturer shall not be held responsible for damages arising from procedures carried out by unauthorized persons which may also void the warranty.



Preparation of location and electrical and gas installation for the product is under customer's responsibility.



DANGER:

The product must be installed in accordance with all local gas and/or electrical regulations.



DANGER:

Prior to installation, visually check if the product has any defects on it. If so, do not have it installed.

Damaged products cause risks for your safety.

Before installation

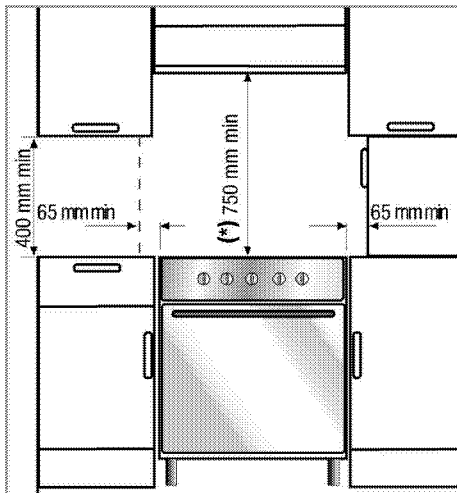
Please note the product is packed without the feet fitted, therefore please ensure the feet are fitted as per the instructions; see *Installation and connection*, page 16 before the appliance is placed in its final position.

To ensure that critical air gaps are maintained under the appliance, we recommend that this appliance is mounted on a solid base and that the feet do not sink into any carpet or soft flooring.

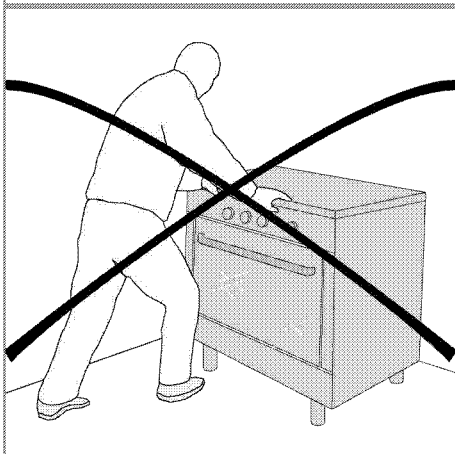
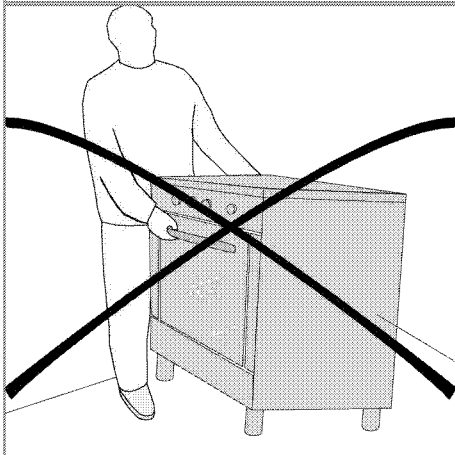
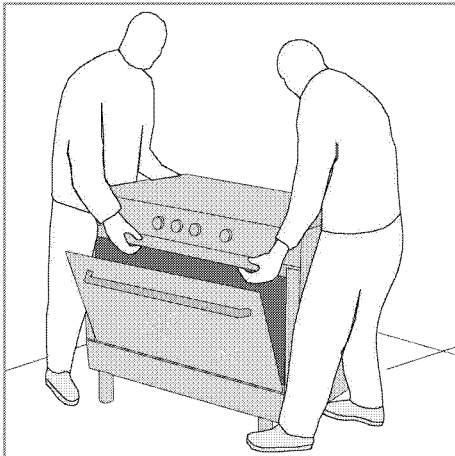
The kitchen floor must be able to carry the weight of the appliance plus the additional weight of cookware and bakeware and food.

If the range is placed on a base, measures have to be taken to prevent the appliance slipping from the base.

The appliances must not be installed behind a decorative door in order to avoid overheating.



- It can be used with cabinets on either side but in order to have a minimum distance of 400mm above hotplate level allow a side clearance of 65mm between the appliance and any wall, partition or tall cupboard.
- It can also be used in a free standing position. Allow a minimum distance of 750 mm above the hob surface.
- (*) If a cooker hood is to be installed above the cooker, refer to cooker hood manufacturer' instructions regarding installation height (min 650 mm).
- Movement of your appliance is most easily achieved by lifting the front as indicated in the drawing. Open the oven door sufficiently to allow a comfortable and safe grip on the underside of the oven roof avoid causing any damage to the grill element or any internal parts of the oven. Do not move by pulling on the door handle or knobs. Move the appliance a bit at a time until placed in the position required.



- The appliance corresponds to device class 1, i.e. it may be placed with the rear and **one** side to

kitchen walls, kitchen furniture or equipment of any size. The kitchen furniture or equipment on the **other** side may only be of the same size or smaller.

- Any kitchen furniture next to the appliance must be heat-resistant (100 °C min.).

i LP Gas Only
 Don't install this appliance in a room below ground level unless it is oven to ground level on at least one side.
 Failure to install appliances correctly is dangerous and could result in prosecution.

Room ventilation

All rooms require an openable window, or equivalent, and some rooms will require a permanent vent as well. The air for combustion is taken from the room air and the exhaust gases are emitted directly into the room. Good ventilation is essential for safe operation of your appliance.

Rooms with doors and/or windows which open directly to the outer environment

The doors and/or windows that open directly to the outer environment must have a total ventilation opening of the dimensions specified in the table below which is based on the total gas power of the appliance (total gas power consumption of the appliance is shown in the technical specification table of this user manual). If the doors and/or windows do not have a total ventilation opening corresponding to the total gas consumption of the appliance as specified in the table below, then there must definitely be an additional fixed ventilation opening in the room to ensure that the total minimum ventilation requirements for the total gas consumption of the appliance is achieved. The fixed ventilation opening can include openings for existing airbricks, extraction hood ducting opening dimension etc.

Total gas consumption (kW)	min. Ventilation opening (cm ²)
0-2	100
2-3	120
3-4	175
4-6	300
6-8	400
8-10	500
10-11.5	600
11.5-13	700
13-15.5	800
15.5-17	900
17-19	1000
19-24	1250

Rooms that do not have openable doors and/or windows that open directly to the outer environment

If the room where the appliance is installed does not have a door and/or a window that opens directly to the outer environment, other products shall be sought that definitely provide a fixed nonadjustable and non-closable ventilation opening which meets the total minimum ventilation opening requirements for the total gas consumption of the appliance as indicated in the above table. Also the appropriate building regulations advise should be followed.

Where a room or internal space contains more than one gas appliance, additional ventilation area shall be provided on top of the requirement given in the table above. Size of additional ventilation area shall be appropriate to regulations of other gas appliances. There should also be a minimum clearance of 10mm on the bottom edge of the door that opens to the inner environment in the room where the appliance is installed. You must ensure that items such as carpets and other floorcoverings etc., do not affect the clearance when the door is closed.

The cooker may be located in a kitchen, kitchen/diner or a bed-sitting room, but not in a room containing a bath or a shower. The cooker must not be installed in a bed-sitting room of less than 20m³.

Do not install this appliance in a room below ground level unless it is open to ground level on at least one side.

Installation and connection

Product can only be installed and connected in accordance with the statutory installation rules.



Do not install the product next to refrigerators or freezers. The heat emitted by the product will increase the energy consumption of cooling appliances.

- Carry the product with at least two persons.
- Product must be placed directly on the floor. It must not be placed onto a base or a pedestal.



Do not use the door and/or handle to carry or move the product. The door, handle or hinges get damaged.

Electrical connection

Connect the product to a grounded outlet/line protected by a miniature circuit breaker of suitable capacity as stated in the "Technical specifications" table. Have the grounding installation made by a qualified electrician while using the product with or without a transformer. Our company shall not be liable for any damages that will arise due to using the

product without a grounding installation in accordance with the local regulations.



DANGER:

The product must be connected to the mains supply only by an authorised and qualified person. The product's warranty period starts only after correct installation. Manufacturer shall not be held responsible for damages arising from procedures carried out by unauthorised persons.



DANGER:

The power cable must not be clamped, bent or trapped or come into contact with hot parts of the product. A damaged power cable must be replaced by a qualified electrician. Otherwise, there is risk of electric shock, short circuit or fire!

The mains supply data must correspond to the data specified on the type label of the product. The rating plate is either seen when the door or the lower cover is opened or it is located at the rear wall of the unit depending on the unit type.

Power cable of your product must comply with the values in "Technical specifications" table.



Power cable plug must be within easy reach after installation (do not route it above the hob).



While performing the wiring, you must apply with the national/local electrical regulations and must use the appropriate socket outlet/line and plug for oven. In case of the product's power limits are out of current carrying capability of plug and socket outlet/line, the product must be connected through fixed electrical installation directly without using plug and socket outlet/line.



DANGER:

Before starting any work on the electrical installation, disconnect the product from the mains supply. There is the risk of electric shock!

Connect the power cable into the socket.

Gas connection



DANGER:

Product can be connected to gas supply system only by an authorised and qualified person or technician with licence.
Risk of explosion or toxication due to unprofessional repairs!
Manufacturer shall not be held responsible for damages arising from procedures carried out by unauthorised or unlicensed persons.



DANGER:

Before starting any work on the gas installation, disconnect the gas supply.
There is the risk of explosion!

- Gas adjustment conditions and values are stated on labels (or ion type label).
- Procure the plastic gas hose and installation clamp before making the gas connection. Inner diameter of the plastic gas hose must be max. 10 mm and its length must be max. 150 cm.



Your product is equipped for liquefied petroleum gas (LPG).

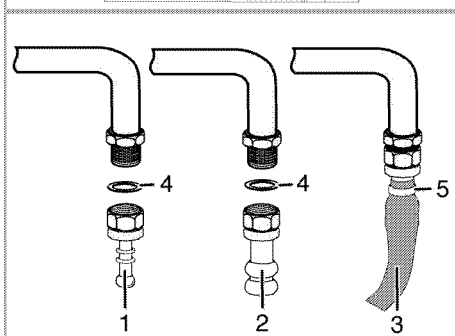
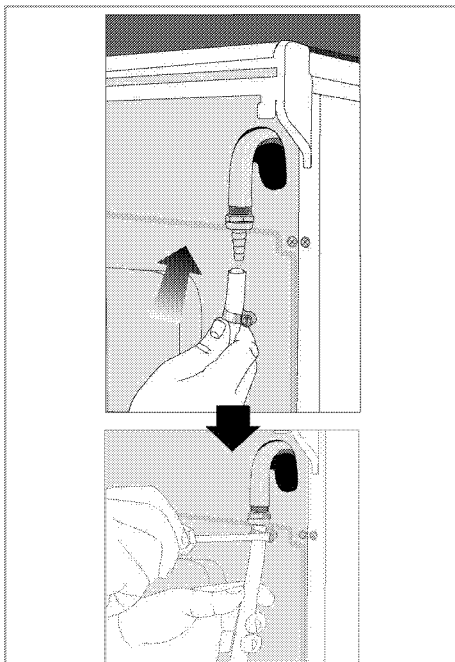
Connecting the gas hose

- Gas connection of your product will be performed by the authorised service.
- Have your product connected in a way that it will be close to the gas connection and not gas leakage will exist.
- Fit the installation clamp onto one end of the hose. Soak the hose end fitted with clamp into boiling water for one minute to soften it.
- Slip the softened end of the hose completely onto the sharp hose tip of your product. Finally, tighten the clamp completely with a screwdriver.
- Repeat the same procedure for the other end of the hose and complete the gas regulator connection.
- Never forget to make the gas leakage control.
- If you need to use your product later with a different type of gas, you must consult the authorised service for the related conversion procedure.



DANGER:

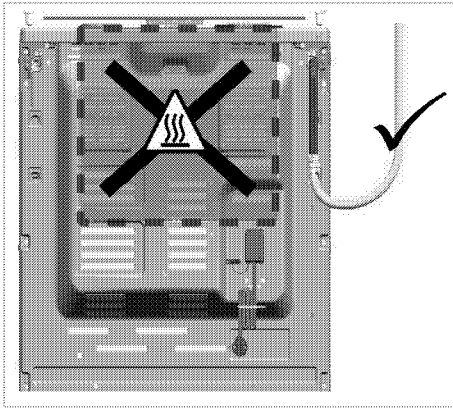
Risk of explosion and suffocation!
Do not keep LPG cylinders in home.



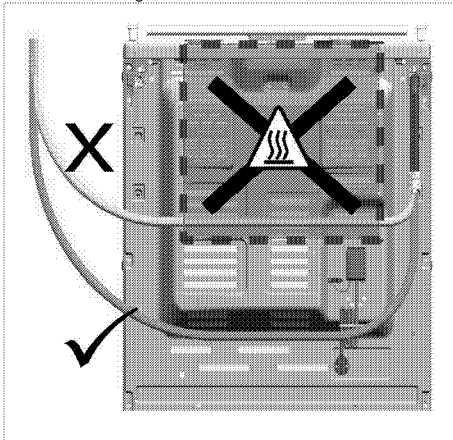
- 1 Hose tip-LPG
- 2 Hose tip-NG
- 3 Safety hose
- 4 O-ring (gasket)
- 5 Clamp

If your product has only one gas outlet;

- Before connecting the gas hose, make sure that the gas hose outlet at the back of the product is on the same side of the product as the LPG cylinder.

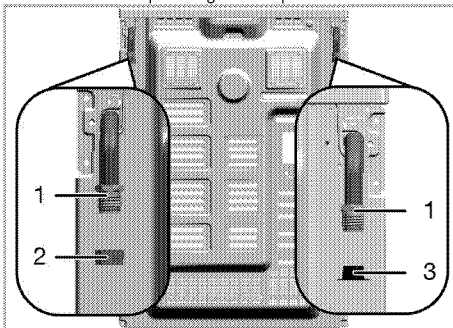


- If the gas hose outlet and the LPG cylinder do not face on the same side, make sure that the hose does not pass through the hot area when connecting it.

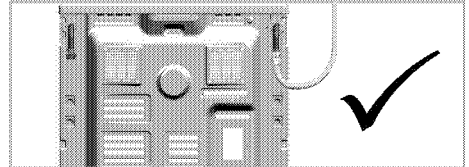


If your product has two gas outlets;

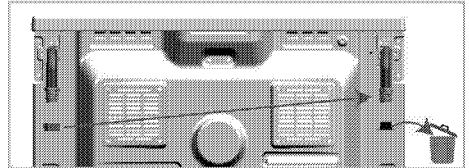
- One of the two outlets is sealed with a blind plug and the other one with a plastic plug. Locations of the blind plug and plastic plug may be different depending on the product.



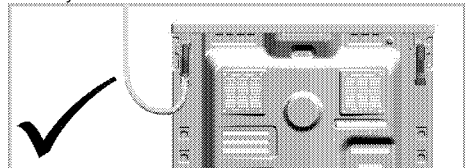
- 1 Gas hose outlet
 - 2 Blind plug
 - 3 Plastic plug
- Before gas connection, make sure that the LPG cylinder and the gas hose outlet of the product to be connected to the gas is on the same side.
 - If the LPG cylinder and the gas hose outlet sealed with plastic plug face on the same side, make the gas connection as shown in the figure below.



- If the LPG cylinder and the gas hose sealed with blind plug face on the same side, remove and dispose the plastic plug. Take out the blind plug and close the gas hose outlet where gas connection will not be made with a new (unused) sealing gasket.



- Make the gas connection as shown in the figure below on the gas hose outlet near the LPG cylinder.





Risk of fire:

If you do not make the connection according to the instructions below, there will be the risk of gas leakage and fire. **Our company cannot be held responsible for damages resulting from this.**

- Gas connection must be made by the authorised service provider only.
- Gas connection of the product must definitely be made through the gas hose outlet near the LPG cylinder.
- Plastic plug must be disposed, and the gas hose outlet that will not be used must be sealed with the blind plug.

- When closing the gas hose outlet that will not be used, you must definitely use a new and unused sealing gasket.

DANGER:
 The flexible gas hose must be connected in a way that it does not contact the moving parts around it and is not trapped when the moving parts are travelling. (e.g. drawers). Besides, it should not be placed in spaces where it might get squeezed.

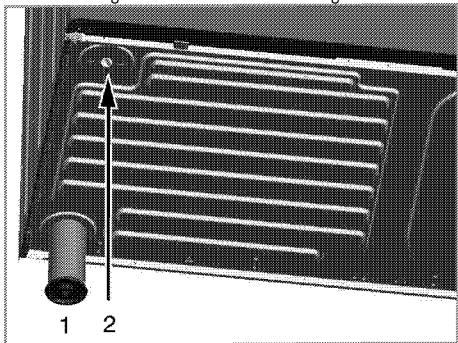
DANGER:
 The gas hose must not be clamped, bent or trapped or come into contact with hot parts of the product. There is the risk of explosion due to damaged gas hose.

Leakage check at the connection point

- Make sure that all knobs on the product are turned off. Make sure that the gas supply is open. Prepare soapy foam and apply it onto the connection point of the hose for gas leakage control.
- Soapy part will froth if there is a gas leakage. In this case, inspect the gas connection once again.
- **If your product has two gas hose outlets,** make sure that the unused gas outlet is sealed with a blind plug. Prepare soapy foam and apply it onto the connection point of the blind plug to check for gas leaks. Soapy part will froth if there is a gas leakage. In this case, inspect the blind plug connection again.
- Instead of soap, you can use commercially available sprays for gas leak check.

i Never use a match or lighter to make the gas leakage control.

- Push the product towards the kitchen wall.
- **Adjusting the feet of oven**
 4 feet are supplied together with your oven. Each foot must be installed into respective slots located at 4 corners under the oven. Screw the thread of the foot by turning in clockwise.
 For your safety, make sure that they are level when screwing all 4 feet. Unbalance of the legs has negative influence on cooking.



- 1 Foot
- 2 Foot slot

Final check

1. Open gas supply.
2. Check gas installations for secure fitting and tightness.
3. Ignite burners and check appearance of the flame.

i Flame must be blue and have a regular shape. If the flame is yellowish, check if the burner cap is seated securely or clean the burner.

4 Preparation

Tips for saving energy

The following information will help you to use your appliance in an ecological way, and to save energy:

- Use dark coloured or enamel coated cookware in the oven since the heat transmission will be better.
- While cooking your dishes, perform a preheating operation if it is advised in the user manual or cooking instructions.
- Do not open the door of the oven frequently during cooking.
- Try to cook more than one dish in the oven at the same time whenever possible. You can cook by placing two cooking vessels onto the wire shelf.
- Cook more than one dish one after another. The oven will already be hot.
- Defrost frozen dishes before cooking them.
- Use pots/pans with cover for cooking. If there is no cover, energy consumption may increase 4 times.
- Select the burner which is suitable for the bottom size of the pot to be used. Always select the correct pot size for your dishes. Larger pots require more energy.

Initial use

First cleaning of the appliance



The surface might get damaged by some detergents or cleaning materials.

Do not use aggressive detergents, cleaning powders/creams or any sharp objects during cleaning.

Do not use harsh abrasive cleaners or sharp metal scrapers to clean the oven door glass since they can scratch the surface, which may result in shattering of the glass.

1. Remove all packaging materials.

2. Wipe the surfaces of the appliance with a damp cloth or sponge and dry with a cloth.

Initial heating

Heat up the product for about 30 minutes and then switch it off. Thus, any production residues or layers will be burnt off and removed.



WARNING

Hot surfaces cause burns!

Product may be hot when it is in use. Never touch the hot burners, inner sections of the oven, heaters and etc. Keep children away. Always use heat resistant oven gloves when putting in or removing dishes into/from the hot oven.

Gas oven

1. Take all baking trays and the wire grill out of the oven.
2. Close the oven door.
3. Select the highest flame of the gas oven; see *How to use the gas oven, page 23*.
4. Operate the oven about 30 minutes.
5. Turn off your oven; See *How to use the gas oven, page 23*

Grill oven

1. Take all baking trays and the wire grill out of the oven.
2. Close the oven door.
3. Select the highest flame of the grill oven; see *How to operate the gas grill, page 25*.
4. Operate the oven about 30 minutes.



Smoke and smell may emit for a couple of hours during the initial operation. This is quite normal. Ensure that the room is well ventilated to remove the smoke and smell. Avoid directly inhaling the smoke and the smell that emits.

5 How to use the hob

General information about cooking



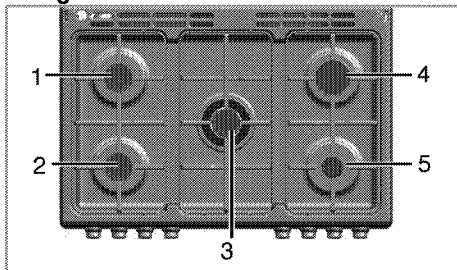
Never fill the pan with oil more than one third of it. Do not leave the hob unattended when heating oil. Overheated oils bring risk of fire. **Never attempt to extinguish a possible fire with water!** When oil catches fire, cover it with a fire blanket or damp cloth. Turn off the hob if it is safe to do so and call the fire department.

- Before frying foods, always dry them well and gently place into the hot oil. Ensure complete thawing of frozen foods before frying.
- Do not cover the vessel you use when heating oil.
- Place the pans and saucepans in a manner so that their handles are not over the hob to prevent heating of the handles. Do not place unbalanced and easily tilting vessels on the hob.
- Do not place empty vessels and saucepans on cooking zones that are switched on. They might get damaged.
- Operating a cooking zone without a vessel or saucepan on it will cause damage to the product. Turn off the cooking zones after the cooking is complete.
- As the surface of the product can be hot, do not put plastic and aluminum vessels on it. Such vessels should not be used to keep foods either.
- Use flat bottomed saucepans or vessels only.
- Put appropriate amount of food in saucepans and pans. Thus, you will not have to make any unnecessary cleaning by preventing the dishes from overflowing.
Do not put covers of saucepans or pans on cooking zones.
Place the saucepans in a manner so that they are centered on the cooking zone. When you want to move the saucepan onto another cooking zone, lift and place it onto the cooking zone you want instead of sliding it.

Gas cooking

- Size of the vessel and the flame must match each other. Adjust the gas flames so that they will not extend the bottom of the vessel and center the vessel on saucepan carrier.

Using the hobs



- 1 Normal burner 20-22 cm
- 2 Normal burner 20-22 cm
- 3 Wok burner 22-24 cm
- 4 Rapid burner 22-24 cm
- 5 Auxiliary burner 12-18 cm is list of advised diameter of pots to be used on related burners.



WARNING

Do not use cooking pans beyond the dimension limits given above. Using larger pans causes risk of carbon monoxide poisoning, overheating of adjacent surfaces and control knobs. Using smaller pans causes your risk of being burned by the flame.

Large flame symbol indicates the highest cooking power and small flame symbol indicates the lowest cooking power. In turned off position (top), gas is not supplied to the burners.

Igniting the gas burners



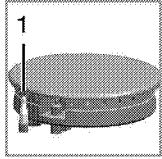
Gas burners are ignited with ignition buttons.

1. Keep burner knob pressed.
2. Turn it counter clockwise to large flame symbol.
3. Press and release the ignition button. Repeat the procedure until the released gas is ignited.
4. Adjust it to the desired cooking power.

Turning off the gas burners

Turn the keep warm zone knob to off (upper) position.

Gas shut off safety system (in models with thermic component)



1. Gas shut off safety

As a counter measure against blow out due to fluid overflows at burners, safety mechanism trips and shuts off the gas.

- Push the knob inwards and turn it counter clockwise to ignite.
- After the gas ignites, keep the knob pressed for 3-5 seconds more to engage the safety system.
- If the gas does not ignite after you press and release the knob, repeat the same procedure by keeping the knob pressed for 15 seconds.



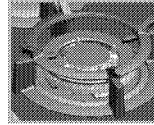
DANGER:

Release the button if the burner is not ignited within 15 seconds.

Wait at least 1 minute before trying again.

There is the risk of gas accumulation and explosion!

Wok burner



Wok burners help you to cook faster. Wok, which is particularly used in Asian kitchen is a kind of deep and flat fry-pan made of sheet metal, which is used to cook minced vegetable and meat at strong flame in a short time.

Since meals are cooked at strong flame and in a very short time in such fry-pans that conduct the heat rapidly and evenly, the nutrition value of the food is preserved and vegetables remain crispy. You can use wok burner for regular saucepans as well.

6 How to operate the oven

General information on baking, roasting and grilling



WARNING

Hot surfaces cause burns!
Product may be hot when it is in use. Never touch the hot burners, inner sections of the oven, heaters and etc. Keep children away. Always use heat resistant oven gloves when putting in or removing dishes into/from the hot oven.



DANGER:

Be careful when opening the oven door as steam may escape.
Exiting steam can scald your hands, face and/or eyes.

Tips for baking

- Use non-sticky coated appropriate metal plates or aluminum vessels or heat-resistant silicone moulds.
- Make best use of the space on the rack.
- Place the baking mould in the middle of the shelf.
- Select the correct rack position before turning the oven or grill on. Do not change the rack position when the oven is hot.
- Keep the oven door closed.

Tips for roasting

- Treating whole chicken, turkey and large piece of meat with dressings such as lemon juice and black pepper before cooking will increase the cooking performance.
- It takes about 15 to 30 minutes longer to roast meat with bones when compared to roasting the same size of meat without bones.
- Each centimeter of meat thickness requires approximately 4 to 5 minutes of cooking time.
- Let meat rest in the oven for about 10 minutes after the cooking time is over. The juice is better distributed all over the roast and does not run out when the meat is cut.
- Fish should be placed on the middle or lower rack in a heat-resistant plate.

Tips for grilling

When meat, fish and poultry are grilled, they quickly get brown, have a nice crust and do not get dry. Flat pieces, meat skewers and sausages are particularly suited for grilling as are vegetables with high water content such as tomatoes and onions.

- Distribute the pieces to be grilled on the wire shelf or in the baking tray with wire shelf in such

a way that the space covered does not exceed the size of the heater.

- Slide the wire shelf or baking tray with grill into the desired level in the oven. If you are grilling on the wire shelf, slide the baking tray to the lower rack to collect fats. Add some water in the tray for easy cleaning.



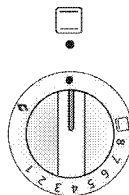
Foods that are not suitable for grilling carry the risk of fire. Only grill food which is suitable for intensive grilling heat.

Do not place the food too far in the back of the grill. This is the hottest area and fatty food may catch fire.

How to use the gas oven



Product is equipped with a security valve. When the flame goes out, gas supply is cut automatically. Thus, gas accumulation is prevented.

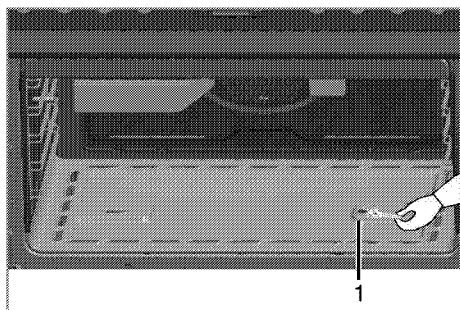


The gas oven is operated by the gas oven control knob. In off position (top) the gas supply is Off.

Switch on the gas oven

The gas oven is ignited with the ignition button.

1. Open oven door.
2. Keep gas oven control knob pressed and turn it **counterclockwise**.
3. Press ignition button and release it again.
4. Keep the gas oven control knob pressed for 3 to 5 seconds.
» Repeat the process until the emanating gas is ignited.
5. Keep the gas oven control knob pressed for another 3 to 5 seconds. Be sure that gas has ignited and flame is present.
6. Select the desired baking power/ gas mark.
7. If there is no electricity; ignite the gas with the gas lighter from the ignition control hole.



1 Ignition control hole



DANGER:

There is the risk of gas compression and explosion!

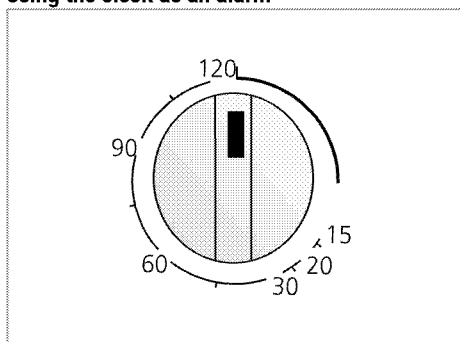
Do not attempt to ignite the gas more than 15 seconds. If the burner is not ignited within 15 seconds, turn off the knob and wait for 1 minute. Ventilate the room before reattempting to ignite the burner. There is the risk of gas compression and explosion!

Switch off the gas oven

1. Turn gas oven control knob to off position (top). Gas level temperature chart

Gas level	1	2	3	4	5	6	7	8
Temperature °C	165	170	173	175	185	195	225	250

Using the clock as an alarm



The alarm clock has no influence on the functions of the oven. It is only used as a warning. For example, this is useful when you want to turn food in the oven at a certain point of time. Alarm clock will give a signal once the time you set is over.

Setting the alarm clock

1. Turn the Time Adjustment knob clockwise to determine for how long the alarm will sound.

Baking and roasting

Food	Accessory to use	Preheating *	Insertion level	Control knob position	Cooking time
Grape pie	Round black metal dish with a diameter of 20 cm on wire grill***	10 min.	4...5	4...5	25...30 min.
Apple pie	Round black metal dish with a diameter of 20 cm on wire grill***	10 min.	4...5	4...5	20...30 min.
Fruit tart	Round black metal dish with a diameter of 20 cm on wire grill***	10 min.	4...5	3...4	25...30 min.
Pie	Round black metal dish with a diameter of 20 cm on wire grill***	10 min.	4...5	3...4	30...40 min.
Cookies	Standard tray**	-	5	2...3	25...35 min.
Pastry	Standard tray**	10 min.	4...5	4...5	25...35 min.
Cake	Cake mold on wire grill***	10 min.	4	1...2	50 min.
Biscuits	Standard tray**	10 min.	5	1...2	20...30 min.
Roast lamb	Standard tray**	10 min.	4...5	7...8	25...30 min. per 450 g + 30 min.
Roast Beef	Standard tray**	10 min.	3...4	8	30...35 min. per 450 g + 30 min.



Turn the Function knob counter clockwise to off position to turn off the oven.

Cooking times table



1st rack of the oven is the **bottom** rack.



Maximum load capacity of oven tray: 4 kg (8.8 lb).



The timings in this chart are meant as a guide. Timings may vary due to temperature of food, thickness, type and your own preference of cooking.

Stand dishes on a baking sheet to prevent spillages onto oven base and help keep oven clean.

Turkey	Standard tray**	10 min.	2	7...8	50...60 min.per 450 g + 30 min.
Poultry	Standard tray**	10 min.	2	7...8	25...30 min.per 450 g + 25 min.
Casseroles	Standard tray**	–	4	6...7	90...120 min. ^S
Fish	Standard tray**	10 min.	3	6...7	30...40 min.
Macaroni	Standard tray**	10 min.	4	2...3	20 min.
Victoria sandwich	Standard tray**	10 min.	4	4...5	22...28 min.

* at control knob position 7 / ^S depending on quantity / ^R depending on size

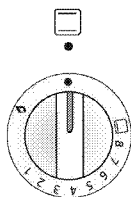
** These accessories may not be supplied with the product.

*** These accessories are not supplied with the product. They are commercially available accessories.

How to operate the gas grill



Product is equipped with a security valve. When the flame goes out, gas supply is cut automatically. Thus, gas accumulation is prevented.



Grill is operated with Grill control knob. In turned off position (top), gas is not supplied.



WARNING

Hot surfaces may cause burns! Keep children away from the product. Oven door remains slightly inclined when opened full and thus, possible splashes to not reach you.



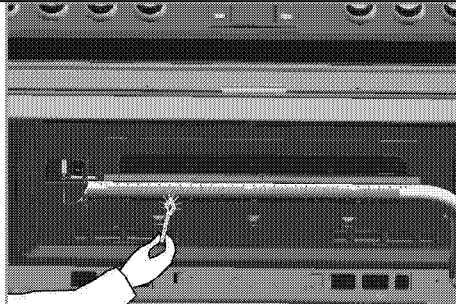
WARNING

Close oven door during grilling. Hot surfaces may cause burns!

Switching on the grill

Gas grill is ignited with the ignition button.

1. Open the oven door.
2. Keep the knob pressed and turn it **clockwise** to the Grill symbol.
3. Press and release the ignition button.
» Repeat the procedure until the gas is ignited.
4. Keep the knob pressed for 3 to 5 seconds more.
5. Make sure that the grill is ignited.
6. If the electricity is cut-off, ignite the grill burner with a lighter or match.



DANGER:

There is the risk of gas compression and explosion!

Do not attempt to ignite the gas more than 15 seconds. If the burner is not ignited within 15 seconds, turn off the knob and wait for 1 minute. Ventilate the room before reattempting to ignite the burner. There is the risk of gas compression and explosion!

Switching off the grill

1. Turn the Grill control knob to Off (upper) position.



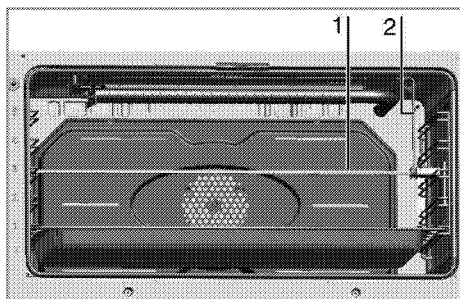
Foods that are not suitable for grilling carry the risk of fire. Only grill food which is suitable for intensive grilling heat.

Do not place the food too far in the back of the grill. This is the hottest area and fatty food may catch fire.

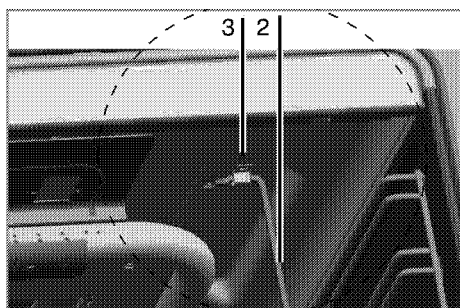
Turnspit function

Used to grill meat, poultry and fish evenly from all sides.

After selecting the Grill function, press Turn Spit button.



- 1 Turnspit
- 2 Turn spit hook



- 3 Turnspit slot
- Fix the food to be grilled to the turn spit with the forks.

- Insert the turn spit into the driver on the left side of the oven cavity and hang up the other end into the turn spit hook on the right side of the oven cavity.
Make sure that the turn spit hook is inserted into the turn spit slot.
- Place a tray to one of the lower racks in order to collect the fats. Put some water into the tray for ease of cleaning.
- **Do not forget to remove the plastic handle of the turn spit.**
- When cooking completes, attach the plastic handle and remove your food from the oven.



Maximum weight of a chicken or turkey that will be cooked with rotisserie function can not exceed 5 kg.

Cooking times table



The timings in this chart are meant as a guide. Timings may vary due to temperature of food, thickness, type and your own preference of cooking.



1st rack of the oven is the **bottom** rack.

Grilling with gas grill

Food	Preparation/setting	Grilling time [#]
Toasting of bread products	3...10 min.
Small cuts of meat, sausages, bacon, etc.	15...20 min.
Chops, gammon steaks, chicken pieces, etc.	Chicken with wire rack in upturned position.	20...25 min.
Whole fish, fish fillets, fish fingers	Whole fish and fish filets placed in the base of the grill pan.	10...20 min.
Fish in breadcrumbs	15...20 min.
Pre-cooked potato products	15...20 min.
Pizza	Placed in the base of the grill pan.	12...15 min.
Grilling/browning of food	Dish placed directly on the base of the grill compartment.	8...10 min.

[#] depending on size resp. thickness

7 Maintenance and care

General information

Service life of the product will extend and the possibility of problems will decrease if the product is cleaned at regular intervals.



DANGER:

Disconnect the product from mains supply before starting maintenance and cleaning works.

There is the risk of electric shock!



DANGER:

Allow the product to cool down before you clean it.

Hot surfaces may cause burns!

- Clean the product thoroughly after each use. In this way it will be possible to remove cooking residues more easily, thus avoiding these from burning the next time the appliance is used.
- No special cleaning agents are required for cleaning the product. Use warm water with washing liquid, a soft cloth or sponge to clean the product and wipe it with a dry cloth.
- Always ensure any excess liquid is thoroughly wiped off after cleaning and any spillage is immediately wiped dry.
- Do not use cleaning agents that contain acid or chloride to clean the stainless or inox surfaces and the handle. Use a soft cloth with a liquid detergent (not abrasive) to wipe those parts clean, paying attention to sweep in one direction.
- **(This feature is optional. It may not exist on your product.)**
Do not use solid metal scrapers or abrasive cleaning materials to clean the glass cover. Glass surface can get damaged.



The surface might get damaged by some detergents or cleaning materials.

Do not use aggressive detergents, cleaning powders/creams or any sharp objects during cleaning.

Do not use harsh abrasive cleaners or sharp metal scrapers to clean the oven door glass since they can scratch the surface, which may result in shattering of the glass.



Do not use steam cleaners to clean the appliance as this may cause an electric shock.

Cleaning the hob

Cleaning the burner

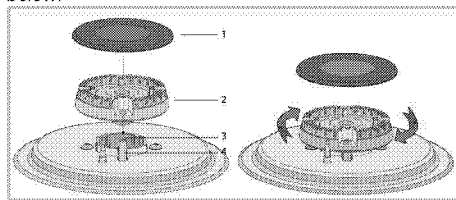
1. Remove the saucepan carriers from the hob.
2. Remove all removable parts of the burner and clean only by hand with sponge, some detergent and hot water.
3. Clean the non-removable parts of the burner with a wet cloth.
4. Clean the plug and thermal element (in models with ignition and thermal element) with a slightly moist cloth. Afterwards, dry with a clean cloth. Make sure that flame holes and plug are totally dry.

Otherwise, no spark occurs at the end of ignition.

5. When placing the pan supports, pay attention to place the pan supports so that the burners are centered.

Assembling the burner parts

After cleaning the burner, place the parts as shown below.



- 1 Burner cap
- 2 Burner head
- 3 Burner chamber
- 4 Spark plug (in products with igniter)

1. Place the burner head ensuring that it passes through the burner spark plug (4). Turn the burner head right and left to make sure that it is seated in the burner chamber.
2. Place the burner cap on the burner head.

Cleaning the control panel

Clean the control panel and knobs with a damp cloth and wipe them dry.



If your product is equipped with buttons/knobs do not remove the control buttons/knobs to clean the control panel.

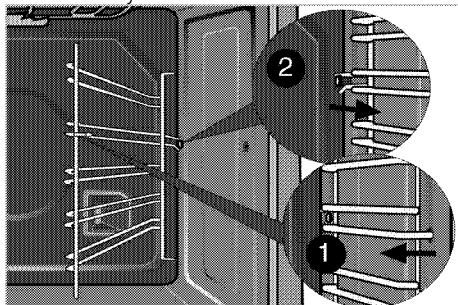
Control panel may get damaged!

Cleaning the oven

To clean the side wall (Varies depending on the product model.)

(This feature is optional. It may not exist on your product.)

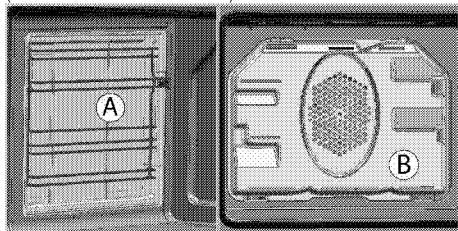
1. Remove the front section of the side rack by pulling it in the opposite direction of the side wall.
2. Remove the side rack completely by pulling it towards you.



Catalytic walls

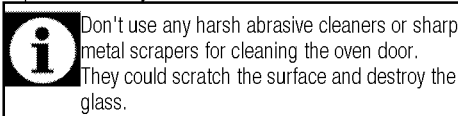
(This feature is optional. It may not exist on your product.)

The inner side walls (A) and/or the rear wall (B) of your product may be coated with catalytic enamel. Catalytic walls have a light matte colour and a porous surface. Catalytic walls of the oven should not be cleaned. Porous surfaces of the catalytic walls are automatically cleaned by absorbing and converting the spilled oil (steam and carbon dioxide).



Clean oven door

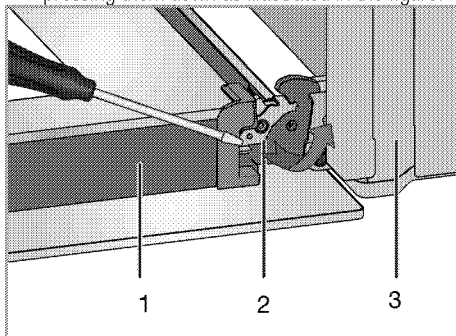
To clean the oven door, use warm water with washing liquid, a soft cloth or sponge to clean the product and wipe it with a dry cloth.



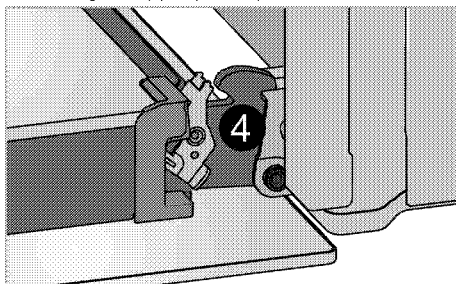
Removing the oven door

1. Open the front door (1).

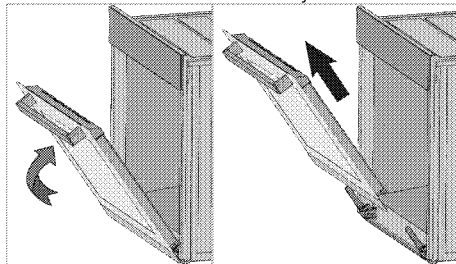
2. Open the clips at the hinge housing (2) on the right and left hand sides of the front door by pressing them down as illustrated in the figure.



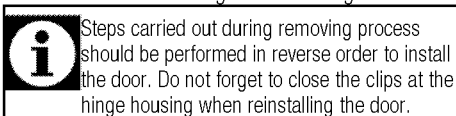
- 1 Door
- 2 Hinge lock(closed position)
- 3 Oven
- 4 Hinge lock(open position)



3. Move the front door to half-way.



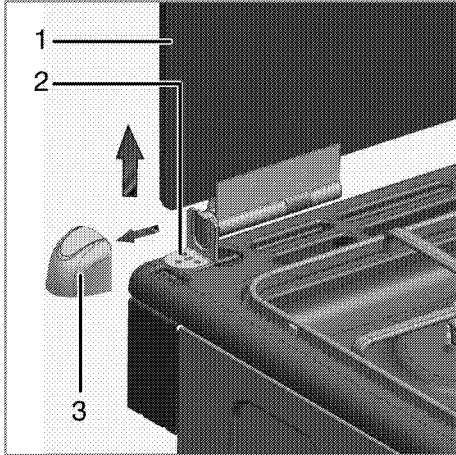
4. Remove the front door by pulling it upwards to release it from the right and left hinges.



Removing the top cover

Pull and remove the plastic part located at right and left sides of the glass top cover.

Pull up and release the cover from right and left hinges in order to detach it from the burner table.

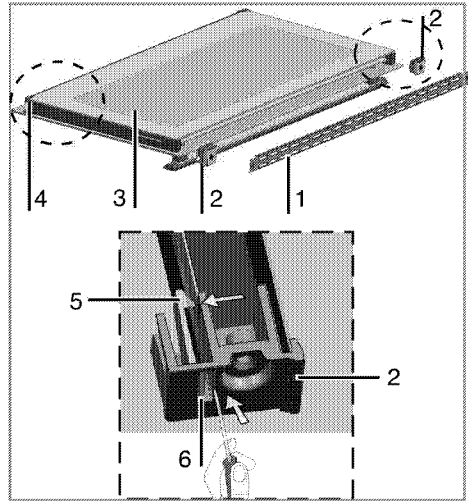


- 1 Glass cover
- 2 Hinge plate
- 3 Plastic part

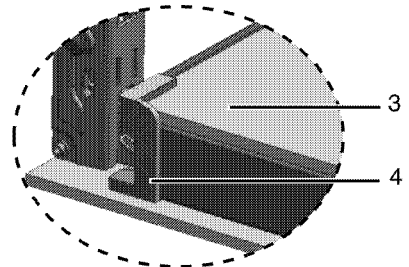
Removing the door inner glass (This feature is optional. It may not exist on your product.)

The inner glass panel of the oven door can be removed for cleaning.

- Open the oven door.
- Remove the metal part (1) by removing three screws that secure it.
- To remove the plastic holders (2), use a flat metal or plastic, e.g., a knife, slotted screwdriver, to free the fixing foot (5). Push the fixing foot through the window (6) in arrow direction.



- 1 Metal part
- 2 Plastic carrier
- 3 Inner glass panel
- 4 Lower plastic slot
- 5 Fixing foot
- 6 Window



- Pull the inner glass panel (3) towards yourself until it detaches from its plastic slots (4).
- When reinstalling the glass panel, make sure that it is seated into the plastic slots.

Replacing the oven lamp



DANGER:

Before replacing the oven lamp, make sure that the product is disconnected from mains and cooled down in order to avoid the risk of an electrical shock.
Hot surfaces may cause burns!



In this oven, an incandescent lamp with a power of less than 40 W, a height of less than 60 mm, a diameter of less than 30 mm or a halogen lamp with socket type G9, a power of less than 60 W is used. The lamps are suitable for operation at temperatures above 300 °C. Oven lamps can be obtained from Authorised Service Agents or technician with licence.



Position of lamp might vary from the figure.



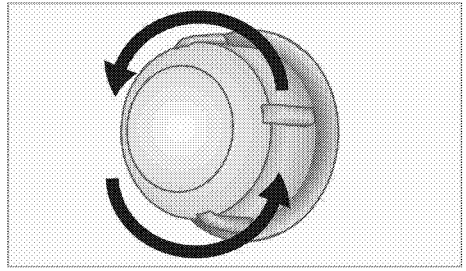
The lamp used in this appliance is not suitable for household room illumination. The intended purpose of this lamp is to assist the user to see foodstuffs.



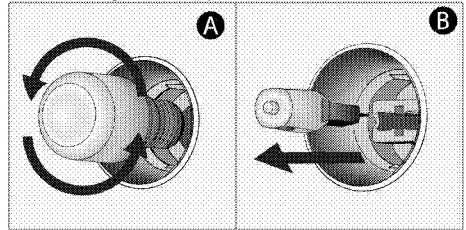
The lamps used in this appliance have to withstand extreme physical conditions such as temperatures above 50 °C.

If your oven is equipped with a round lamp:

1. Disconnect the product from mains.
2. Turn the glass cover counter clockwise to remove it.



3. If your oven lamp is of type (A) shown in the figure below, remove it by rotating as shown and replace it. If it is of type (B), pull and remove it as shown in the figure and replace it.



4. Install the glass cover.

8 Troubleshooting

Oven emits steam when it is in use.

- It is normal that steam escapes during operation. >>> *This is not a fault.*

Product emits metal noises while heating and cooling.

- When the metal parts are heated, they may expand and cause noise. >>> *This is not a fault.*

There is no ignition spark.

- No current. >>> *Check fuses in the fuse box.*

There is no gas.

- Main gas valve is closed. >>> *Open gas valve.*
- Gas pipe is bent. >>> *Install gas pipe properly.*

Burners are not burning properly or at all.

- Burners are dirty. >>> *Clean burner components.*
- Burners are wet. >>> *Dry the burner components.*
- Burner cap is not mounted safely. >>> *Mount the burner cap properly.*
- Gas valve is closed. >>> *Open gas valve.*
- Gas cylinder is empty (when using LPG). >>> *Replace gas cylinder.*



Consult the Authorised Service Agent or technician with licence or the dealer where you have purchased the product if you can not remedy the trouble although you have implemented the instructions in this section. Never attempt to repair a defective product yourself.



Tungku Pemasak

Panduan pengguna



<p>Kulkas Mesin Cuci Air Conditioner Cooking & Kitchen </p>	 Home Appliances
<p>INFO & LAYANAN BEBAS PULSA</p>	<p>0 800 100 2356</p>
<p><i>Produk ini diimport oleh :</i> PT. BEKO APPLIANCES INDONESIA <i>The Plaza Office Tower, 22th Floor F2-F3, Jakarta 10350</i></p>	

Nomor : I.43.BAI7.01223.1118

IN

Harap baca manual pengguna terlebih dulu!

Yth. Pengguna,

Terima kasih Anda telah membeli produk Beko ini. Kami harap Anda mendapatkan hasil terbaik dari produk Anda yang telah dibuat dengan bermutu tinggi dan teknologi canggih. Dengan demikian, harap baca keseluruhan manual pengguna dan semua dokumen lain yang disertakan secara hati-hati sebelum menggunakan produk dan simpan sebagai bahan rujukan untuk penggunaan di masa yang akan datang. Jika Anda menyerahkan produk ke orang lain, berikan juga manual pengguna ini. Ikuti semua peringatan dan informasi dalam manual pengguna.

Ingat bahwa manual pengguna ini juga berlaku untuk beberapa model lain. Perbedaan antar model akan disebutkan dalam manual tersebut.

Penjelasan simbol-simbol

Di seluruh bagian manual pengguna ini, digunakan simbol-simbol sebagai berikut:



Informasi penting atau petunjuk berguna mengenai penggunaan.



Peringatan keadaan-keadaan berbahaya terkait dengan nyawa dan barang Anda.



Peringatan sengatan listrik.



Peringatan risiko kebakaran.



Peringatan permukaan panas.



Arçelik A.Ş.
Karaağaç caddesi No:2-6
34445 Sütlüce/Istanbul/TURKEY
Made in TURKEY

1 Petunjuk dan peringatan penting untuk keselamatan dan lingkungan4

Keselamatan umum4
 Keselamatan saat bekerja dengan gas5
 Keamanan kelistrikan6
 Keamanan produk7
 Penggunaan yang diinginkan10
 Keamanan untuk anak-anak10
 Membuang produk lama11
 Informasi kemasan11
 Pengangkutan di lain waktu11

2 Informasi Umum 12

Ulasan Singkat12
 Isi kemasan13
 Spesifikasi teknis14
 Tabel *Injector*14

3 Pemasangan 15

Sebelum pemasangan15
 Pemasangan dan penghubungan17

4 Persiapan 22

Tips untuk menghemat energi22
 Penggunaan awal22
 Membersihkan perangkat untuk pertama kalinya ...22
 Pemanasan awal22

5 Bagaimana cara menggunakan hob23

Umum informasi mengenai memasak 23
 Menggunakan *hob* 23

6 Bagaimana cara mengoperasikan oven 25

Informasi umum mengenai *baking, roasting dan grilling* 25
 Bagaimana cara menggunakan oven gas 25
 Tabel waktu memasak 26
 Bagaimana cara menggunakan *grill gas* 27
 Tabel waktu memasak 28

7 Pemeliharaan dan perawatan 29

Informasi umum 29
 Membersihkan *hob* 29
 Membersihkan *control panel* 29
 Membersihkan oven 29
 Melepaskan pintu oven 30
 Melepaskan kaca dalam dari pintu 31
 Mengganti lampu oven 32

8 Pemecahan masalah 33

1 Petunjuk dan peringatan penting untuk keselamatan dan lingkungan

Bagian ini berisi petunjuk-petunjuk keselamatan yang akan membantu melindungi dari risiko cedera badan dan kerusakan barang. Apabila Anda tidak mengikuti petunjuk-petunjuk ini maka garansi produk tidak berlaku lagi.

Keselamatan umum

- Perangkat ini dapat digunakan oleh anak-anak mulai dari umur 8 tahun ke atas dan orang-orang yang memiliki keterbatasan fisik, syaraf atau mental atau kurang berpengalaman atau tidak memiliki pengetahuan apabila mereka diawasi atau diberitahu cara penggunaan perangkat ini dengan cara yang aman dan memahami bahaya yang mungkin terjadi.

Anak-anak tidak boleh bermain dengan perangkat ini. Pembersihan dan pemeliharaan pengguna tidak boleh dilakukan oleh anak-anak tanpa pengawasan.

- Perangkat ini bukan untuk digunakan oleh orang-orang (termasuk anak-anak) dengan keterbatasan fisik, syaraf atau mental, atau kurang berpengalaman dan memiliki

pengetahuan, kecuali diawasi atau diberi petunjuk.

Anak-anak harus diawasi dan dipastikan bahwa mereka tidak bermain dengan perangkat ini.

- Apabila produk diserahkan kepada orang lain untuk penggunaan pribadi atau tujuan penggunaan barang bekas, maka manual pengguna, label-label produk dan dokumen-dokumen terkait lainnya serta suku cadangnya harus juga diberikan.
- Jangan pernah meletakkan produk di atas lantai yang ditutupi dengan karpet. Jika tidak, kurangnya sirkulasi udara di bawah produk akan mengakibatkan komponen-komponen panas secara berlebihan. Hal ini akan mengakibatkan permasalahan pada produk Anda.
- Prosedur-prosedur pemasangan dan perbaikan harus selalu dilaksanakan oleh Teknisi Servis Resmi. Produsen tidak bertanggungjawab atas kerusakan yang timbul dari prosedur yang dilaksanakan oleh orang-orang yang tidak berwenang yang juga dapat membuat garansi menjadi tidak berlaku. Sebelum pemasangan,

baca petunjuk-petunjuk dengan seksama.

- Jangan menggunakan produk apabila produk cacat atau terlihat ada kerusakan.
- Pastikan bahwa tombol-tombol fungsi produk dimatikan setiap kali setelah selesai digunakan.

Keselamatan saat bekerja dengan gas

- Setiap pekerjaan pada peralatan dan sistem gas hanya boleh dilakukan oleh orang yang berwenang dan memenuhi syarat melaksanakannya yang memiliki sertifikat Keselamatan Gas.
- Sebelum pemasangan, pastikan bahwa kondisi-kondisi pendistribusian lokal (sifat gas dan tekanan gas) serta penyesuaian perangkat cocok.
- Perangkat ini tidak terhubung ke produk-produk pembakaran atau perangkat evakuasi. Perangkat harus dipasang dan dihubungkan sesuai dengan peraturan pemasangan yang berlaku saat ini. Perhatian khusus harus diberikan pada persyaratan ventilasi terkait ini; Lihat *Sebelum pemasangan, halaman 15*
- Penggunaan perangkat masak gas mengakibatkan timbulnya panas dan lembab di tempat dipasangnya perangkat ini. Pastikan bahwa di dapur juga terdapat ventilasi: jaga agar lobang-lobang ventilasi alam tetap terbuka atau pasang alat ventilasi mekanis (*mechanical extractor hood*). Penggunaan perangkat secara intensif dalam waktu lama mungkin memerlukan ventilasi tambahan, misalnya dengan meningkatkan tingkat ventiasi mekanis jika ada.
- Perangkat dan sistem gas harus diperiksa secara berkala agar berfungsi dengan baik. Regulator, selang dan klemnya harus diperiksa secara rutin dan diganti dalam jangka waktu yang disarankan oleh produsen atau jika diperlukan.
- Bersihkan *burner* gas secara rutin. Api gas harus berwarna biru dan merata.
- Produk ini harus digunakan di ruangan yang memiliki sensor Karbon Monoksida yang disesuaikan dan berfungsi dengan baik. Pastikan bahwa sensor Karbon Monoksida bekerja dengan baik dan sering dirawat. Sensor Karbon Monoksida harus dipasang minimal 2 meter dari produk.
- Pembakaran yang baik diperlukan dalam perangkat-perangkat gas. Apabila terjadi pembakaran yang tidak sempurna, Karbon Monoksida (CO) dapat terbentuk.

Karbon Monoksida adalah gas yang sangat beracun, tidak memiliki wana dan bau dan, yang memiliki dampak mematikan meskipun dalam dosis yang sedikit.

- Minta informasi dari penyedia gas setempat mengenai nomor telepon darurat gas dan langkah-langkah keselamatan apabila tercium gas.

Apa yang harus dilakukan ketika Anda mencium bau gas:

- Jangan menyalakan api atau merokok. Jangan menggunakan tombol listrik apa pun (misalnya tombol lampu, bel pintu, dll.) Jangan menggunakan telepon kabel atau telepon seluler. Risiko ledakan dan keracunan!
- Buka pintu dan jendela.
- Matikan semua klep pada perangkat-perangkat gas dan meteran gas pada klep kontrol utama, kecuali ada di ruangan tertutup atau ruang bawah tanah.
- Periksa semua tabung dan sambungan untuk melihat kekencangannya. Jika Anda masih mencium bau gas, segera tinggalkan tempat Anda tersebut.
- Peringatkan para tetangga.
- Telepon pemadam kebakaran. Gunakan telepon di luar rumah.

- Jangan masuk kembali ke rumah Anda hingga rumah dinyatakan aman.

Keamanan kelistrikan

- Apabila produk tidak berfungsi, produk tidak boleh digunakan kecuali telah diperbaiki oleh Teknisi Servis Resmi. Terdapat risiko sengatan listrik!
- Produk hanya boleh dihubungkan ke stop kontak yang dibumikan dengan tegangan dan perlindungan sebagaimana yang disebutkan dalam “Spesifikasi teknis”. Lakukan instalasi pembumian oleh teknisi listrik yang memenuhi syarat saat menggunakan produk dengan atau tanpa trafo. Perusahaan kami tidak bertanggungjawab atas setiap permasalahan yang timbul karena produk tidak dibumikan sesuai dengan peraturan setempat.
- Jangan pernah mencuci produk dengan menyeprotkan atau mengucurkan air terhadap produk! Terdapat risiko sengatan listrik!
- **Jangan pernah menyentuh steker dengan tangan basah! Jangan mencabut steker dengan menarik kabelnya, selalu tarik steker dengan memegang steker tersebut.**

- Produk harus diputuskan dari sumber listrik selama melaksanakan prosedur pemasangan, pemeliharaan, pembersihan dan perbaikan.
- Apabila kabel listrik untuk produk rusak, maka harus diganti dengan kabel listrik dari pembuat produk, teknisi servisnya atau teknisi lain dengan kualifikasi yang sama guna menghindari bahaya.
- Perangkat harus dipasang sedemikian rupa sehingga sewaktu-waktu dapat diputuskan dari pasokan listrik utama. Pemisahan hubungan listrik harus dilakukan dengan menggunakan stop kontak yang dipasang pada instalasi listrik permanen, sesuai dengan peraturan konstruksi.
- Permukaan belakang oven panas saat digunakan. Pastikan bahwa sambungan gas/listrik tidak bersentuhan dengan permukaan belakang produk; jika tidak, sambungan listrik/gas tersebut dapat rusak.
- Jangan sampai kabel utama terjepit di antara pintu dan rangka oven dan jangan mengurai kabel di atas permukaan panas. Jika tidak, insulasi kabel dapat meleleh dan menyebabkan kebakaran sebagai akibat dari korsleting.
- Setiap pekerjaan pada peralatan dan sistem listrik harus dilakukan oleh orang yang berwenang dan memenuhi syarat.
- Apabila terjadi kerusakan, matikan produk dan putuskan sambungan listrik dari sumber listrik utama. Untuk melakukannya, matikan sekering di rumah.
- Pastikan *rating* sekering sesuai dengan produk.

Keamanan produk

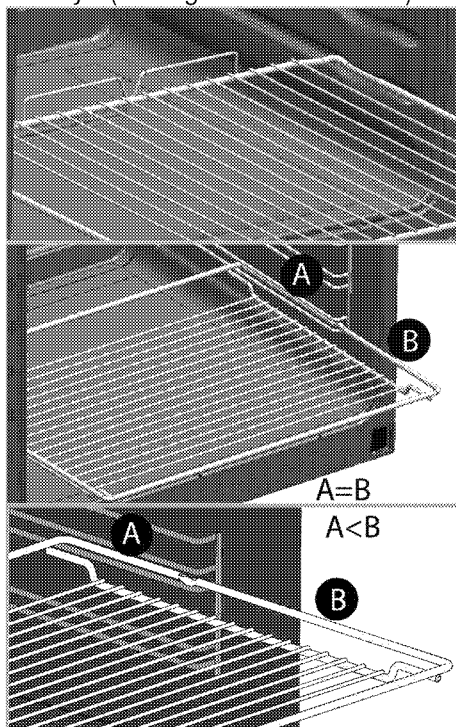
- **PERINGATAN:** Perangkat dan komponen-komponennya yang dapat diakses akan panas selama penggunaan. Hati-hati jangan sampai menyentuh komponen-komponen yang panas. Jauhkan anak-anak kurang dari 8 tahun kecuali terus diawasi.
- Jangan pernah menggunakan produk apabila pikiran atau fisik Anda terganggu karena meminum alkohol dan/atau menggunakan obat-obatan terlarang.
- Hati-hati apabila Anda peralatan Anda digunakan untuk minuman beralkohol. Alkohol akan menguap pada suhu tinggi dan dapat mengakibatkan kebakaran karena dapat menyala jika bersentuhan dengan permukaan panas.

- Bahaya Keracunan Makanan: Jangan meninggalkan makanan tetap berada di oven selama lebih dari 1 jam sebelum atau setelah memasak. Hal tersebut dapat mengakibatkan keracunan makanan atau sakit.
- Jangan meletakkan bahan yang mudah terbakar dekat dengan produk karena bagian sisi produk dapat menjadi panas selama digunakan.
- Selama penggunaan, perangkat akan menjadi panas. Hati-hati jangan sampai menyentuh bagian-bagian yang panas di dalam oven.
- Jaga semua lobang ventilasi tidak terhalang.
- Jangan memanaskan kaleng timah dan toples kaca tertutup dalam oven. Tekanan yang akan terbentuk dalam kaleng timah dan toples kaca dapat mengakibatkan kaleng/toples meledak.
- Jangan meletakkan loyang, piring atau aluminium foil langsung di atas dasar oven. Akumulasi panas dapat merusak dasar oven.
- Jangan menggunakan pembersih yang kasar atau penggaruk logam yang tajam untuk membersihkan kaca pintu oven karena dapat menggores permukaannya, yang

dapat mengakibatkan kacanya pecah.

- Jangan menggunakan pembersih uap untuk membersihkan perangkat karena dapat menyebabkan sengatan listrik.
- (Berbeda-beda tergantung model produk.)

Memasang rak kawat dan loyang pada rak sisi kawat dengan benar. Penting untuk memasang rak kawat dan/atau loyang pada rak sisi dengan benar. Geser rak kawat atau loyang di antara 2 rel dan pastikan seimbang sebelum menempatkan makanan di atasnya (Lihat gambar berikut ini).



- Jangan menggunakan produk apabila kaca pintu depan dilepaskan atau retak.
- Jangan menggunakan pegangan oven untuk menggantungkan handuk dengan tujuan mengeringkannya. Jangan menggantungkan handuk, sarung tangan, atau produk kain serupa pada saat fungsi pemanggang dalam posisi pintu terbuka.
- Selalu gunakan sarung tangan tahan panas saat memasukkan atau mengeluarkan piring ke dalam/dari oven yang panas.
- Letakkan kertas panggang ke dalam panci masak atau di atas aksesoris oven (loyang, kawat pemanggang, dll.) bersama dengan makanan kemudian masukkan semuanya ke dalam oven yang sudah dipanaskan. Buang bagian kertas panggang berlebih yang keluar dari aksesoris atau panci untuk mencegah risiko bersentuhan dengan bagian-bagian pemanas oven. Jangan pernah menggunakan kertas panggang pada suhu operasi yang lebih tinggi dari nilai yang tercantum dalam kertas panggang tersebut. Jangan meletakkan kertas panggang langsung di atas dasar oven.
- PERINGATAN: Pastikan bahwa perangkat dimatikan sebelum mengganti lampu untuk menghindari kemungkinan sengatan listrik.
- Jangan menutup penutup atas sebelum kompor atau *burner* dingin. Seka penutup atas hingga kering sebelum membukanya guna menghindari kebocoran air ke bagian belakang dan bagian dalam oven.
- Perangkat tidak boleh dipasang di belakang pintu dekoratif untuk menghindari panas berlebihan.
- Produk harus ditempatkan langsung di atas lantai. Produk tidak boleh ditempatkan di atas bantalan atau alas lain.
- PERINGATAN: Proses memasak lemak atau minyak pada hob dan tidak ditunggu dapat berbahaya dan mengakibatkan kebakaran. JANGAN PERNAH mencoba memadamkan api dengan air, tapi matikan perangkat kemudian tutupi api misalnya dengan penutup atau selimut api.
- PERHATIAN: Proses memasak harus diawasi. Proses memasak dalam jangka waktu yang singkat harus terus diawasi.
- PERINGATAN: Bahaya kebakaran: Jangan menyimpan item-item di

atas permukaan tempat memasak.

Pencegahan dari kemungkinan risiko kebakaran!

- Pastikan semua sambungan listrik kuat dan kencang guna mencegah risiko timbulnya busur api.
- Jangan menggunakan kabel atau penyambung kabel yang rusak.
- Pastikan cairan atau embun tidak dapat masuk ke titik sambungan listrik.
- Untuk mencegah kebocoran gas pastikan bahwa sambungan gas dalam keadaan baik.

Penggunaan yang diinginkan

- Produk ini dirancang untuk penggunaan rumah tangga. Penggunaan secara komersil akan membuat garansi tidak berlaku.
- Perangkat ini dibuat hanya untuk tujuan memasak. Perangkat ini tidak boleh digunakan untuk tujuan lain, misalnya memanaskan ruangan.
- Produk ini tidak boleh digunakan untuk memanaskan piringan di bawah kisi-kisi pembakaran, mengeringkan handuk, lap piringan, dll. Dengan menggantungkannya pada pegangan pintu oven. Produk ini juga tidak boleh digunakan untuk tujuan memanaskan ruangan.

- Produsen tidak bertanggungjawab atas setiap kerusakan yang disebabkan oleh penggunaan yang tidak semestinya atau kesalahan penanganan.
- Oven dapat digunakan untuk mencairkan es, membakar dan memanggang makanan.

Keamanan untuk anak-anak

- **PERINGATAN:** Bagian-bagian yang dapat diakses dapat menjadi panas pada saat digunakan. Jauhkan anak-anak kecil dari oven.
- Bahan-bahan kemasan dapat berbahaya bagi anak-anak. Jauhkan bahan-bahan kemasan dari anak-anak. Buang semua bagian kemasan menurut standar lingkungan.
- Produk-produk listrik dan/atau gas berbahaya bagi anak-anak. Jauhkan anak-anak dari produk saat digunakan dan jangan biarkan mereka bermain dengan produk.
- Sarana pelindung tambahan untuk mencegah kontak dengan pintu oven disediakan. Bagian ini harus dipasang apabila ada anak-anak kecil.
- Jangan meletakkan item apa pun di atas perangkat yang dapat diraih oleh anak-anak.
- Pada saat pintu oven terbuka, jangan meletakkan benda berat di

atasnya dan jangan biarkan anak-anak duduk di atasnya. Oven dapat terguling atau engsel pintu dapat rusak.

Membuang produk lama

Kepatuhan terhadap Arahan dan Pembuangan Produk Limbah WEEE:



Produk ini mematuhi Arahan WEEE UE (2012/19/EU). Produk ini mencantumkan simbol penggolongan untuk peralatan listrik dan elektronik bekas (WEEE). Produk ini telah dibuat dengan komponen-komponen dan bahan-bahan bermutu tinggi yang dapat digunakan kembali dan cocok untuk daur ulang. Jangan membuang produk bekas bersama dengan sampah rumah tangga biasa dan sampah lainnya setelah masa gunanya berakhir. Bawa ke pusat penampungan untuk daur ulang peralatan listrik dan elektronik. Konsultasikan dengan otoritas setempat untuk mengetahui pusat-pusat penampungan ini.

Kepatuhan terhadap Arahan RoHS:

Produk yang telah Anda beli memenuhi Arahan RoHS UE (2011/65/EU). Produk ini tidak mengandung bahan berbahaya dan dilarang yang disebutkan dalam Arahan tersebut.



Informasi kemasan

- Bahan-bahan kemasan produk terbuat dari bahan-bahan yang dapat didaur ulang sesuai

dengan Peraturan Lingkungan Nasional kita. Jangan membuang bahan kemasan bersama dengan limbah rumah tangga atau limbah lainnya. Bawa ke titik-titik pengumpulan bahan kemasan yang disediakan khusus oleh otoritas setempat.

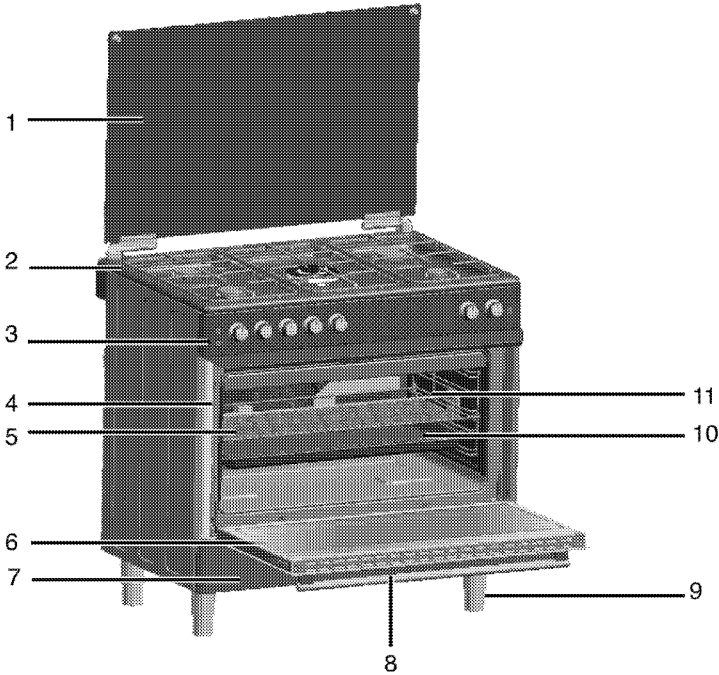
Pengangkutan di lain waktu

- Simpan karton asli kemasan produk dan masukkan produk ke dalamnya apabila Anda ingin mengangkut produk. Ikuti petunjuk-petunjuk pada karton. Apabila karton asli tersebut tidak ada, kemas produk dengan *bubble wrap* atau kardus tebal dan segel dengan menggunakan selotip dengan kencang.
- Untuk mencegah kawat pemanggang dan loyang di dalam oven merusak pintu oven, pasang selembur kardus pada bagian dalam pintu oven sehingga menghalanginya dari bersentuhan dengan loyang. Pasang selotip pada pintu oven hingga dinding sisi.
- Amankan tutup dan dan dudukan panci dengan tape pelekat.
- Jangan menggunakan pintu atau pegangan untuk mengangkat atau memindahkan produk.

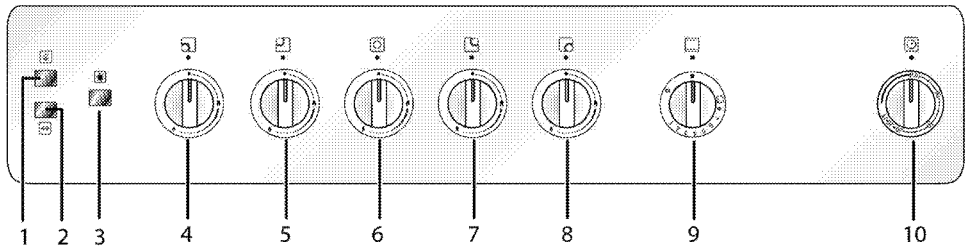
	Jangan meletakkan benda apa pun di atas produk dan Anda harus memindahkannya dengan posisi tegak.
	Periksa fisik luar produk Anda apakah ada kerusakan yang mungkin terjadi selama pengangkutan.

2 Informasi Umum

Ulasan Singkat



- | | | | |
|---|----------------------|----|------------------|
| 1 | Tutup atas | 7 | Laci penyimpanan |
| 2 | Plat burner | 8 | Pegangan |
| 3 | <i>Control panel</i> | 9 | Kaki |
| 4 | Posisi rak | 10 | Loyang |
| 5 | Rak kawat | 11 | <i>Turnspit</i> |
| 6 | Pintu depan | | |



- | | | | |
|---|------------------------------------|----|------------------------------------|
| 1 | Tombol lampu | 7 | <i>Rapid burner</i> Kanan Belakang |
| 2 | Tombol <i>Turnspit</i> | 8 | <i>Burner</i> tambahan Kanan Depan |
| 3 | Tombol penyalaan | 9 | Knob <i>Oven</i> |
| 4 | <i>Burner</i> Normal Kiri Depan | 10 | Timer mekanis |
| 5 | <i>Burner</i> Normal Kiri Belakang | | |
| 6 | <i>Wok burner</i> Tengah | | |

Isi kemasan

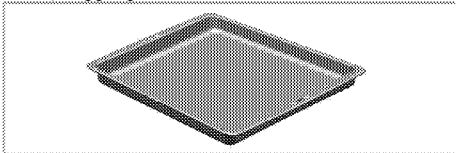


Aksesoris yang diberikan dapat berbeda tergantung pada model produk. Tidak semua aksesoris yang dijelaskan dalam manual pengguna ada pada produk anda.

1. Manual pengguna

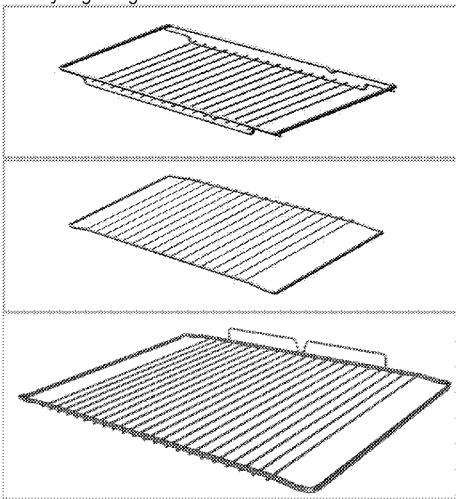
2. Loyang oven

Digunakan untuk kue, makanan beku dan daging panggang ukuran besar.



3. Rak kawat

Digunakan untuk memanggang dan untuk meletakkan makanan untuk *baking*, *roasting* atau *grilling* dalam pinggan *casserole* pada rak yang diinginkan.

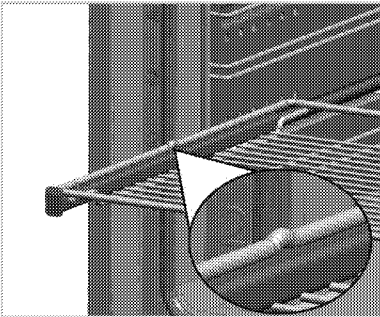
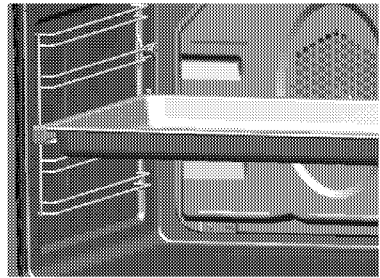


4. Memasang rak kawat dan loyang pada rak sisi dengan benar

(Fitur ini adalah pilihan. Fitur ini bisa saja terdapat pada produk Anda.)

Rak sisi memungkinkan Anda dapat memasang dan mengeluarkan loyang dan rak kawat dengan mudah.

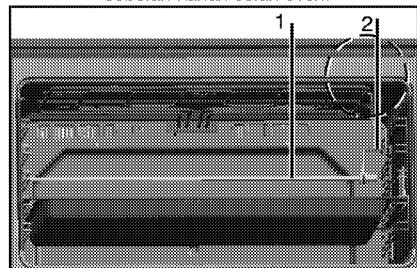
Saat menggunakan loyang dan rak kawat dengan rak sisi, pastikan pin pada bagian belakang rak sisi tegak lurus terhadap ujung rak kawat dan loyang.



5. *Rotisserie chicken*

Digunakan untuk memanggang daging sapi, ayam dan ikan dengan merata pada semua sisinya.

- Pasang makanan yang akan dipanggang pada *turnspit* dengan garpu.
- Masukkan sisi tajam dari *turnspit* ke dalam pendorong di sisi kiri velah oven dan kaitkan ujung lainnya ke kaitan *turnspit* di sebelah kanan velah oven.

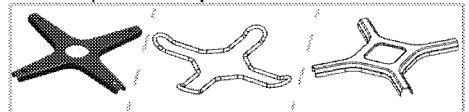


1 *Turnspit*

2 Kaitan *turnspit*

3 Garpu

6. *Adaptor teko kopi*



Used for coffee pots.

Spesifikasi teknis

UMUM	
Ukuran luar (tinggi/panjang/lebar)	850 mm/900 mm/600 mm
Tegangan/frekuensi	220-240 V ~ 50 Hz
Sekering	3 A
Jenis/bagian kabel	Min.H05VV-FG 3 x 0,75 mm ²
Jenis/tekanan gas	LPG G 30/28-30 mbar
Total konsumsi gas	15,5 kW
HOB	
Burner	
Kiri depan	Burner normal
Daya	2 kW
Kiri belakang	Burner normal
Daya	2 kW
Tengah	Wok Burner
Daya	3,6 kW
Kanan belakang	Rapid Burner
Daya	2,9 kW
Kanan depan	Burner tambahan
Daya	1 kW
OVEN/GRILL	
Oven utama	Oven gas
Lampu dalam	230 V/15-25 W/E14 SES/T 300°C
Konsumsi daya <i>Grill</i>	3,8 kW
Konsumsi gas oven	4,0 kW



Spesifikasi teknis dapat berubah tanpa pemberitahuan sebelumnya untuk meningkatkan mutu produk.



Angka-angka dalam manual ini hanya skema dan mungkin tidak sama persis dengan produk Anda.



Nilai-nilai yang disebutkan pada label-label produk atau dalam dokumen yang disertakan didapatkan berdasarkan kondisi-kondisi laboratorium sesuai dengan standar-standar terkait. Tergantung pada kondisi-kondisi operasional dan lingkungan produk, nilai-nilai ini bisa saja berbeda.

Tabel *Injector*

Posisi zona <i>hob</i>	2 kW Kiri depan	2 kW Kiri belakang	3,6 kW Tengah	2,9 kW Kanan belakang	1 kW Kanan dean
Jenis gas / Tekanan gas					
G 30/28-30 mbar	72	72	96	87	50
Jenis gas / Tekanan gas	Oven gas			<i>Grill</i>	
G 30/28-30 mbar	100			96	

3 Pemasangan

Produk harus dipasang oleh orang yang memenuhi syarat sesuai dengan peraturan yang berlaku. Produsen tidak bertanggungjawab atas kerusakan yang timbul dari prosedur-prosedur yang dilakukan oleh orang yang tidak berwenang dan juga dapat mengakibatkan garansi menjadi tidak berlaku.



Persiapan lokasi dan instalasi listrik dan gas untuk produk merupakan tanggung jawab konsumen.



BAHAYA:

Produk harus dipasang sesuai dengan semua peraturan gas dan/atau listrik setempat.



BAHAYA:

Sebelum pemasangan, lihat apakah terdapat cacat pada produk. Jika ya, jangan lanjutkan pemasangan.

Produk yang rusak dapat menimbulkan bahaya bagi keselamatan Anda.

Sebelum pemasangan

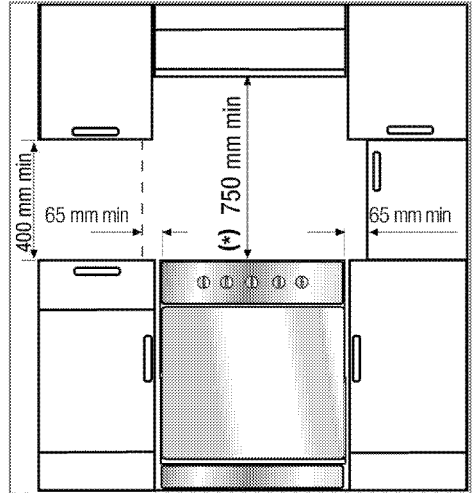
Harap diperhatikan bahwa produk dikemas tanpa kaki yang terpasang, oleh karena itu pastikan Anda memasang kakinya sesuai dengan instruksi yang diberikan; lihat *Pemasangan dan penyambungan*, halaman 22 sebelum perabot ditempatkan di tempat yang Anda pilih.

Pastikan bahwa udara celah udara yang dibutuhkan di bawah perangkat tetap terjaga, kami sarankan perangkat ini dipasang di atas permukaan yang stabil dan kaki perangkat ini tidak masuk ke dalam karpet atau lantai yang lunak.

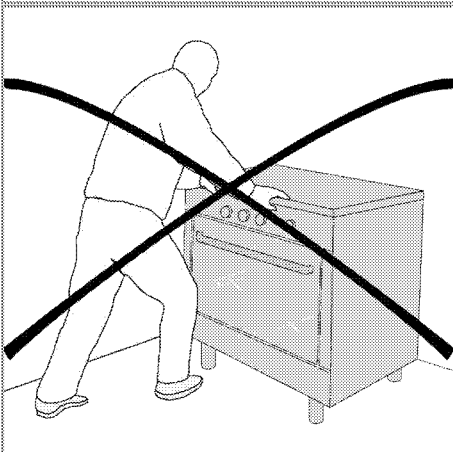
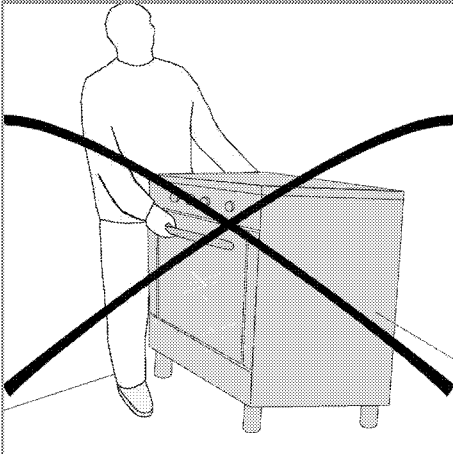
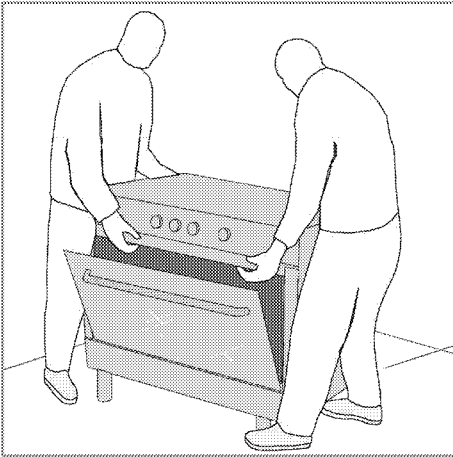
Lantai dapur harus dapat menopang bobot perangkat dan beban tambahan dari alat masak dan alat panggang serta makanan.

Apabila diletakkan diletakkan di atas alas, langkah-langkah harus dilakukan untuk mencegah perangkat tergelincir dari alas tersebut.

Perangkat tidak boleh dipasang di belakang pintu dekoratif guna mencegah panas berlebihan.



- Perangkat dapat diletakkan dengan lemari berada di salah satu sisinya namun harus diberi jarak minimal 400mm di atas permukaan kompor dan celah pinggir 65mm di antara perangkat dan dinding, partisi atau lemari yang tinggi.
- Perangkat juga dapat digunakan dengan posisi tegak lurus. Dengan jarak minimal 750 mm di atas permukaan *hob*.
- (*) Apabila *cooker hood* akan dipasang di atas *cooker*, lihat petunjuk-petunjuk dari produsen *cooker hood* mengenai ketinggian instalasi (min 650 mm).
- Untuk memindahkan perangkat Anda, paling mudah adalah dengan mengangkat bagian depannya sebagaimana yang ditunjukkan pada gambar. Buka pintu oven cukup untuk membuat tangan Anda dapat memegang bagian bawah atap oven untuk menghindari kerusakan pada komponen *grill* atau bagian dalam lain dari oven. Jangan menarik pegangan pintu atau *knob*. Pindahkan perangkat secara bertahap hingga ditempatkan di posisi yang Anda inginkan.



- Perangkat sesuai untuk kelas perangkat 1, yaitu perangkat dapat ditempatkan dengan sisi

belakang dan **satu** sisi menghadap dinding dapur, furnitur atau peralatan dapur dengan segala ukuran. Sisi **lainnya** dapat menghadap furnitur atau peralatan dapur yang memiliki ukuran yang sama atau lebih kecil.

- Furnitur apa pun yang ada di sebelah perangkat harus tahan panas (minimal 100 °C).

i **Hanya LPG**
 Jangan memasang perangkat ini di sebuah ruangan bawah tanah kecuali oven sejajar dengan permukaan tanah pada salah satu sisinya.
 Kegagalan untuk memasang perangkat dengan benar merupakan hal yang berbahaya dan dapat menimbulkan tuntutan hukum.

Ventilasi ruangan

Semua ruangan harus memiliki jendela yang dapat dibuka, atau fasilitas serupa, dan beberapa ruangan juga akan memerlukan ventilasi permanen. Udara untuk pembakaran diambil dari udara dalam ruangan dan gas buang dikeluarkan langsung ke ruangan. Ventilasi yang baik penting sekali untuk pengoperasian perangkat Anda dengan aman.

Ruangan dengan pintu dan/atau jendela yang terbuka langsung ke lingkungan luar

Pintu dan/atau jendela yang terbuka langsung ke lingkungan luar harus memiliki bukaan ventilasi total dengan ukuran-ukuran yang disebutkan dalam tabel di bawah ini yang dibuat berdasarkan total daya gas perangkat (konsumsi total daya gas perangkat ditunjukkan dalam tabel spesifikasi teknis manual pengguna ini). Apabila pintu dan/atau jendela tidak memiliki pembukaan total yang sesuai dengan total konsumsi gas dari perangkat sebagaimana yang disebutkan dalam tabel di bawah, maka harus ada pembukaan ventilasi permanen tambahan di ruangan tersebut guna memastikan bahwa total kebutuhan ventilasi minimal untuk total konsumsi gas perangkat terpenuhi. Pembukaan ventilasi permanen dapat meliputi pembukaan untuk bata berlobang yang ada, ukuran pembukaan saluran *extraction hood*, dll.

Total konsumsi gas (kW)	Pembukaan ventilasi minimal (cm ²)
0-2	100
2-3	120
3-4	175
4-6	300
6-8	400
8-10	500
10-11,5	600
11,5-13	700

13-15,5	800
15,5-17	900
17-19	1000
19-24	1250

Ruangan yang tidak memiliki pintu dan/atau jendela yang tidak dapat dibuka langsung ke lingkungan luar

Apabila ruangan tempat perangkat dipasang tidak memiliki pintu dan/atau jendela yang dapat dibuka langsung ke lingkungan luar, maka produk-produk lain harus dicari sehingga memberikan pembukaan ventilasi permanen yang tidak dapat disesuaikan dan tidak dapat ditutup sehingga memenuhi persyaratan total pembukaan ventilasi minimal untuk total konsumsi gas perangkat sebagaimana yang tercantum dalam tabel di atas. Selain itu, saran peraturan bangunan yang tepat harus diikuti.

Apabila suatu ruangan atau ruang internal berisi lebih dari satu perangkat gas, area ventilasi tambahan harus disediakan di atas peralatan dengan mempertimbangkan tabel di atas. Ukuran dari area ventilasi tambahan harus sesuai dengan peraturan perangkat-perangkat gas lain.

Harus ada celah minimal 10mm pada pinggiran bawah pintu yang terbuka ke lingkungan dalam di ruangan di mana perangkat dipasang. Anda harus memastikan bahwa item-item seperti karpet dan alas penutup lantai lainnya, dll., tidak mempengaruhi celah tersebut pada saat pintu ditutup.

Cooker dapat ditempatkan di dapur, dapur dengan meja makan atau dapur yang menyatu dengan ruang duduk dan tempat tidur, namun bukan ruangan yang terdapat kamar mandi atau *shower*. *Cooker* tidak boleh dipasang di ruang yang terdapat tempat duduk dan tempat tidur dengan ukuran kurang dari 20m³. Jangan memasang perangkat ini di ruangan bawah tanah kecuali salah satu sisi ruangan rata dengan tanah.

Pemasangan dan penghubungan

Produk hanya dapat dipasang dan dihubungkan sesuai dengan aturan perundang-undangan tentang instalasi.



Jangan memasang produk di sebelah lemari es atau *freezer*. Panas yang dipancarkan oleh produk akan meningkatkan konsumsi daya perangkat pendingin tersebut.

- Pengangkutan produk setidaknya dilakukan oleh dua orang.
- Produk harus ditempatkan langsung di atas lantai. Produk tidak boleh ditempatkan di atas alas atau bantalan.



Jangan menggunakan pintu dan/atau pegangan pada saat mengangkat atau memindahkan produk. Karena dapat mengakibatkan pintu, pegangan atau engselnya rusak.

Sambungan listrik

Hubungkan produk ke stop kontak yang dibumikan dan dilindungi dengan pemutus sirkuit kecil dengan kapasitas memadai sebagaimana yang tercantum dalam tabel "Spesifikasi teknis". Instalasi pembumian harus dilakukan oleh teknisi listrik yang memenuhi syarat apabila menggunakan produk dengan atau tanpa trafo. Perusahaan kami tidak bertanggungjawab atas kerusakan apa pun yang timbul akibat dari penggunaan produk tanpa instalasi pembumian yang sesuai dengan peraturan setempat.



BAHAYA:

Produk harus dihubungkan ke pasokan listrik utama hanya oleh orang yang berwenang dan memenuhi syarat. Periode garansi produk hanya dimulai setelah pemasangan dengan cara yang benar.

Produsen tidak bertanggungjawab atas kerusakan yang timbul dari prosedur-prosedur yang dilakukan oleh orang yang tidak berwenang.



BAHAYA:

Kabel listrik tidak boleh terjepit, tertekuk atau tertindih atau bersentuhan dengan bagian-bagian yang panas dari produk. Kabel listrik yang rusak harus diganti oleh teknisi listrik yang memenuhi syarat. Jika tidak, terdapat risiko sengatan listrik, korsleting atau kebakaran!

Data pasokan listrik utama harus sesuai dengan data yang tercantum pada label jenis dari produk. Plat *rating* akan terlihat pada saat pintu atau tutup bawah dibuka atau berada di permukaan bagian belakang dari unit tergantung pada jenis unit.

Kabel listrik produk Anda harus memenuhi nilai-nilai yang tercantum dalam tabel "Spesifikasi teknis".



BAHAYA:

Steker kabel listrik harus mudah diraih setelah pemasangan (jangan mengurainya di atas *hob*).



Saat melakukan pekerjaan kabel, Anda harus menerapkan peraturan kelistrikan tingkat nasional/daerah dan harus menggunakan stop kontak serta steker yang baik untuk oven. Apabila limit daya produk berada di luar kemampuan beban arus dari steker dan stop kontak, maka produk harus dihubungkan melalui instalasi listrik permanen secara langsung tanpa menggunakan steker dan stop kontak.



BAHAYA:

Sebelum memulai pekerjaan apa pun pada instalasi listrik, putuskan produk dari pasokan listrik utama.
Terdapat risiko sengatan listrik!

Hubungkan steker kabel listrik ke stop kontak

Sambungan Gas



BAHAYA:

Produk dapat dihubungkan ke sistem pasokan gas hanya oleh orang yang berwenang dan memenuhi syarat atau teknisi berizin. Risiko ledakan atau keracunan karena perbaikan yang tidak dilakukan secara profesional!
Produsen tidak bertanggungjawab atas kerusakan yang timbul dari prosedur-prosedur yang dilakukan oleh orang yang tidak berwenang atau tidak memiliki izin.



BAHAYA:

Sebelum memulai pekerjaan apa pun pada pemasangan gas, putuskan pasokan gas.
Terdapat risiko ledakan!

- Kondisi-kondisi dan nilai-nilai penyesuaian gas tercantum pada label (atau label jenis ion).



Produk Anda dirancang untuk menggunakan elpiji (LPG).

Menghubungkan selang gas

- Sambungkan produk Anda sedemikian rupa sehingga dekat ke sambungan gas dan tidak akan ada kebocoran gas.
- Selang plastik yang digunakan tidak boleh lebih dari 125 cm.
- Pasang klem pada selang. Rendam salah satu sisi selang (dengan diameter dalam 15 mm) dengan air mendidih selama satu menit untuk membuatnya lembek.
- Kemudian, masukkan ujung selang yang sudah dilembekkan tersebut sepenuhnya ke ujung selang yang meruncing dari produk Anda.

Alhinya, kencangkan klem dengan kuat menggunakan obeng.

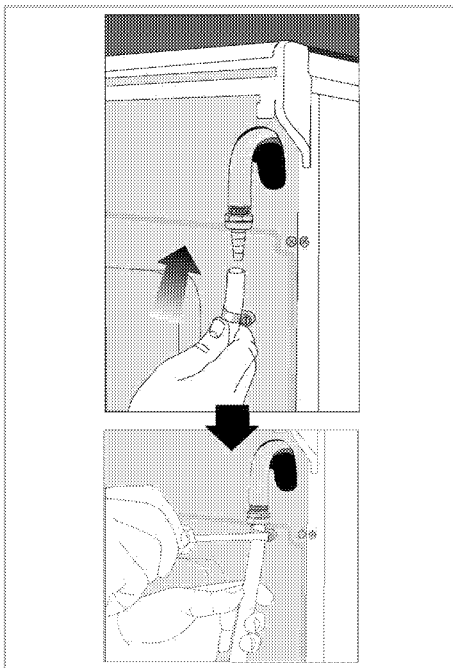
- Ulangi prosedur sama untuk ujung yang lain dari selang tersebut dan selesaikan prosedur penyambungan tabung gas.
- Jangan lupa memeriksa kebocoran gas.

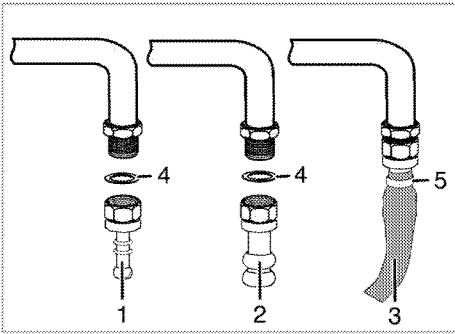


BAHAYA:

Risiko ledakan dan kehabisan udara!
Jangan menyimpan tabung LPG di rumah.

- Jika Anda selanjutnya ingin menggunakan produk Anda dengan jenis gas yang berbeda, Anda harus mengkonsultasikannya dengan Teknisi Servis Resmi untuk prosedur konversi terkait.

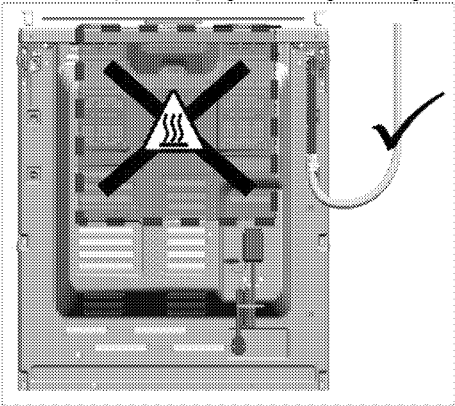




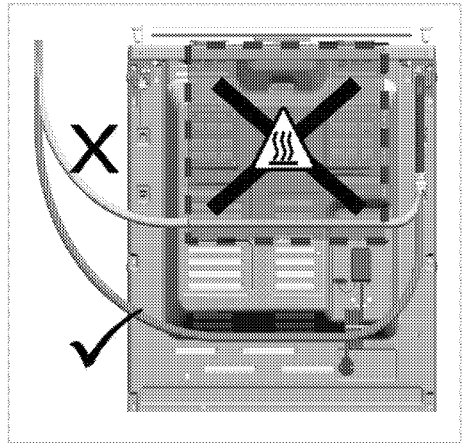
- 1 Ujung selang - LPG
- 2 Ujung selang - NG
- 3 Selang pengaman
- 4 O-ring (gasket)
- 5 Klem

Jika produk Anda hanya memiliki satu outlet gas;

- Sebelum menyambungkan selang gas, pastikan outlet selang gas di bagian belakang produk berada pada sisi yang sama dengan tabung LPG.

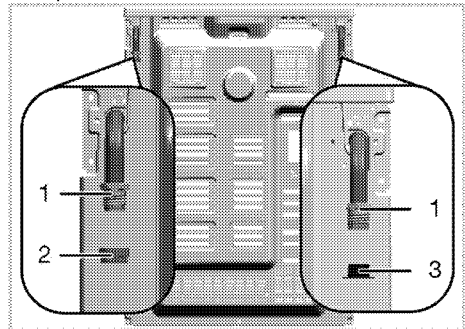


- Jika outlet selang gas dan tabung LPG tidak berhadapan pada sisi yang sama, pastikan selang tidak melintang melalui daerah yang panas ketika selang disambungkan.



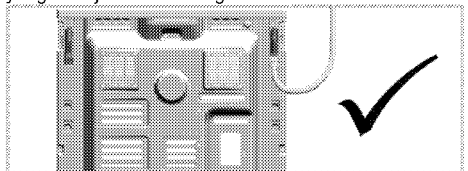
Jika produk Anda memiliki dua outlet gas;

- Salah satu outlet ditutup blind plug dan satunya ditutup dengan plastic plug. Lokasi blind plug dan plastic plug bisa berbeda tergantung pada produk.

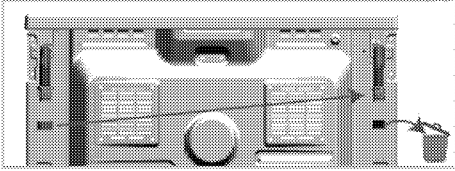


- 1 Outlet selang gas
- 2 Blind plug
- 3 Plastic plug

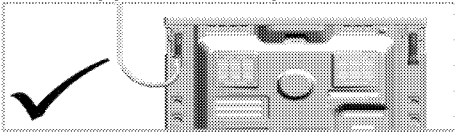
- Sebelum penyambungan gas, pastikan tabung LPG and dan outlet selang gas produk yang akan disambungkan ke gas berada pada sisi yang sama.
- Jika tabung LPG dan outlet selang gas yang disegel dengan plastic plug berhadapan pada sisi yang sama, pastikan sambungan gas seperti yang ditunjukkan dalam gambar di bawah.



- Jika tabung LPG dan selang gas yang disegel dengan *blind plug* berhadapan pada sisi yang sama, lepas dan buang *plastic plug*. Lepas *blind plug* dan tutup *outlet* selang gas di tempat yang tidak akan dilakukan penyambungan gas dengan gasket sil baru (belum digunakan).




- Lakukan penyambungan gas seperti yang ditunjukkan pada gambar di bawah di *outlet* selang gas di dekat tabung LPG.




Risiko kebakaran:

Jika Anda tidak melakukan penyambungan sesuai dengan petunjuk di bawah, akan ada risiko kebocoran dan kebakaran. **Perusahaan kami tidak dapat dimintai pertanggungjawaban atas kerugian yang diakibatkan risiko ini.**

- Sambungan gas harus dilakukan hanya oleh penyedia layanan resmi.
- Sambungan gas produk harus dipastikan dilakukan melalui *outlet* selang gas di dekat tabung LPG.
- *Plastic plug* harus dilepas, dan *outlet* selang gas yang tidak digunakan harus disegel dengan *blind plug*.
- Ketika menutup *outlet* selang gas yang tidak akan digunakan, Anda harus memastikan menggunakan gasket sil baru yang belum digunakan.



BAHAYA:
Outlet selang gas fleksibel harus digunakan disambungkan dengan suatu cara sehingga selang tersebut tidak bersentuhan dengan bagian-bagian yang bergerak di sekitarnya sehingga tidak tersangkut ketika bagian yang bergerak sedang bergerak. (misal laci). Selain itu, *outlet* selang ini jangan diletakkan di ruang yang mungkin mengakibatkan *outlet* selang ini terhimpit.




BAHAYA:
 Selang gas tidak boleh diklem, ditebuk atau tersangkut, atau bersentuhan dengan bagian yang panas pada produk. Ada risiko ledakan akibat kerusakan selang gas.

Pemeriksaan kebocoran di titik sambungan


- Pastikan semua kenop pada produk dimatikan. Pastikan pasokan gas terbuka. Siapkan busa sabun dan oleskan di titik sambungan selang untuk kontrol kebocoran gas.
- Bagian yang terkena busa sabun akan berbuih jika terdapat kebocoran gas. Dalam hal ini, periksa lagi sambungan gas.
- **Jika produk Anda memiliki dua outlet selang gas,** pastikan *outlet* gas yang belum digunakan ditutup dengan *blind plug*. Siapkan busa sabun dan oleskan di titik sambungan *blind plug* untuk memeriksa kebocoran gas. Bagian yang terkena busa sabun akan berbuih jika terdapat kebocoran gas. Dalam hal ini, periksa lagi sambungan gas.
- Sebagai ganti sabun, Anda dapat menggunakan *spray* (semprotan) yang tersedia secara komersial untuk memeriksa kebocoran gas.

Pemeriksaan kebocoran pada titik penyambungan

- Pastikan bahwa semua *knob* pada produk dimatikan. Pastikan bahwa pasokan gas dibuka. Siapkan air sabun dan oleskan pada titik penyambungan selang untuk memeriksa kebocoran gas.
- Bagian yang diolesi air sabun akan berbuih apabila terjadi kebocoran gas. Dalam hal ini, periksa sambungan gas sekali lagi.



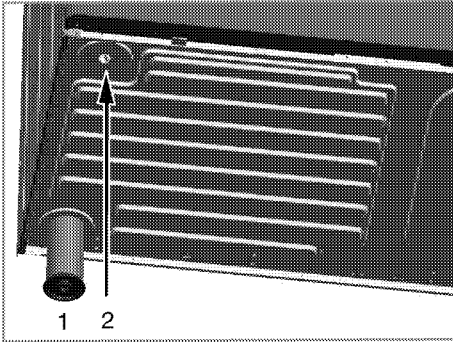
Jangan pernah menggunakan korek api atau geretan api untuk melakukan pemeriksaan kebocoran gas.



BAHAYA:
 Selang gas tidak boleh terjepit, tertekuk atau tertindih atau bersentuhan dengan bagian-bagian yang panas dari produk. Terdapat risiko ledakan karena selang gas yang rusak.

- Dorong produk ke arah dinding dapur.
- **Mengatur kaki oven**
 Oven Anda dilengkapi dengan 4 kaki. Masing-masing kaki harus dipasang pada slot masing-masing yang berada di 4 sudut di bawah oven. Putar kaki searah jarum jam untuk memasukkannya ke dalam ulir yang disediakan. Untuk keselamatan Anda, pastikan saat memasang keempat kaki tersebut, semuanya rata. Ka-

ki-kaki yang tidak seimbang dapat berpengaruh buruk terhadap proses memasak.



i Api harus berwarna biru dan merata. Apabila api berwarna kekuning-kuningan, periksa apakah tutup *burner* terpasang dengan kuat, atau bersihkan *burner*.

- 1 Kaki
- 2 Slot kaki

Pemeriksaan akhir

1. Buka pasokan gas.
2. Periksa pemasangan gas apakah kencang dan kuat.
3. Nyalakan *burner* dan periksa nyala api.

4 Persiapan


Tips untuk menghemat energi

Informasi berikut ini akan membantu Anda dalam menggunakan perangkat Anda agar ramah lingkungan, dan hemat energi:

- Gunakan alat masak berwarna gelap atau memiliki lapisan enamel, dalam oven karena pancaran panas akan lebih baik.
- Saat Anda memasak, lakukan pemanasan terlebih dulu apabila disarankan dalam manual pengguna atau petunjuk-petunjuk memasak.
- Jangan membuka pintu oven terlalu sering pada saat Anda memasak.
- Cobalah memasak dengan menggunakan lebih dari satu piringan di oven pada saat yang sama jika dimungkinkan. Anda dapat memasak dengan memasukkan dua panci masak ke rak kawat.
- Lakukan proses memasak dengan memasukkan lebih dari satu piringan secara bergiliran. Karena oven sudah panas.
- Lumurkan makanan beku sebelum memasaknya.
- Gunakan panci/wajan dengan penutup untuk memasak. Jika tidak memiliki penutup, konsumsi energi dapat habis empat kali lipat.
- Pilih *burner* yang sesuai dengan ukuran dasar panci yang akan digunakan. Selalu pilih ukuran panci yang benar untuk makanan Anda. Panci yang lebih besar memerlukan energi yang lebih banyak.

Penggunaan awal

Membersihkan perangkat untuk pertama kalinya

 Permukaan dapat rusak oleh beberapa deterjen atau bahan pembersih. Jangan menggunakan deterjen yang terlalu keras, serbuk/krim pembersih atau benda tajam apa pun selama melakukan pembersihan. Jangan menggunakan alat pembersih yang keras dan kasar atau penggaruk logam yang tajam untuk membersihkan kaca pintu oven karena dapat menggores permukaannya, yang dapat mengakibatkan kaca pecah.

1. Lepaskan semua bahan kemasan.

2. Seka permukaan perangkat dengan kain basah atau spon dan keringkan dengan kain.

Pemanasan awal

Panaskan produk selama sekitar 30 menit kemudian matikan. Sehingga, sisa-sisa atau laporan produksi akan terbakar dan terbuang.



PERINGATAN

Permukaan panas dapat mengakibatkan luka bakar!

Produk bisa saja dalam keadaan panas saat digunakan. Jangan pernah menyentuh *burner*, bagian dalam oven, *heater* yang panas, dll. Jauhkan anak-anak dari perangkat. Selalu gunakan sarung tangan oven tahan panas saat memasukkan atau mengeluarkan piringan ke dalam/dari oven yang panas.

Oven gas

1. Keluarkan semua loyang dan kawat pemanggang dari oven.
2. Tutup pintu oven.
3. Pilih nyala api paling besar; lihat *Bagaimana cara menggunakan oven gas, halaman Error! Bookmark not defined.*
4. Operasikan oven sekitar 30 menit.
5. Matikan oven Anda; Lihat *Bagaimana cara menggunakan oven gas, halaman Error! Bookmark not defined.*

Oven grill

1. Keluarkan semua loyang bakar dan kawat pemanggang dari oven.
2. Tutup pintu oven.
3. Pilih nyala api paling besar dari oven *grill*; lihat *Bagaimana cara menggunakan grill gas, halaman Error! Bookmark not defined.*
4. Operasikan oven sekitar 30 menit.



Asap dan bau dapat keluar selama dua jam selama pengoperasian awal. Ini normal.

Pastikan bahwa ruangan memiliki ventilasi yang baik untuk menghilangkan asap dan bau. Hindari menghirup langsung asap dan bau yang dikeluarkan.

5 Bagaimana cara menggunakan *hob*

Umum informasi mengenai memasak



Jangan pernah mengisi panci dengan minyak lebih dari sepertiga volumenya. Jangan mengoperasikan *hob* tanpa diawasi pada saat memanaskan minyak. Minyak yang terlalu panas dapat menimbulkan risiko kebakaran.

Jangan pernah mencoba memadamkan api dengan air!

Apabila minyak terbakar, tutup dengan selimut api atau kain basah. Matikan *hob* apabila aman untuk melakukannya dan hubungi pemadam kebakaran.

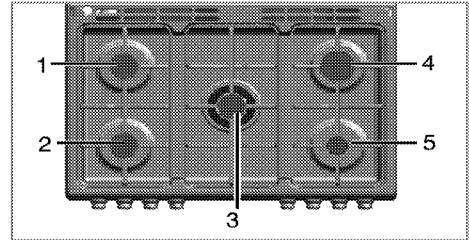
- Sebelum menggoreng makanan, selalu keringkan dengan baik dan perlahan-lahan masukkan ke dalam minyak panas. Pastikan makanan beku lumer dengan baik sebelum digoreng.
- Jangan menutup panci pada saat Anda memanaskan minyak.
- Tempatkan panci dan *saucepan* sedemikian rupa sehingga pegangannya tidak berada di atas *hob* agar pegangan tidak panas. Jangan meletakkan panci yang tidak seimbang dan mudah miring di atas *hob*.
- Jangan meletakkan panci dan *saucepan* kosong yang berat di tempat masak yang menyala karena dapat rusak.
- Menyalakan kompor tanpa panci atau *saucepan* di atasnya dapat mengakibatkan produk rusak. Matikan kompor setelah selesai memasak.
- Karena permukaan produk dapat saja dalam keadaan panas, jangan meletakkan wadah plastik dan aluminium di atasnya. Wadah tersebut tidak boleh digunakan juga untuk menyimpan makanan.
- Gunakan panci atau wadah sup dengan bagian dasar yang rata.
- Masukkan makanan dalam jumlah yang semestinya dalam *saucepan* dan panci. Sehingga, Anda tidak perlu melakukan pembersihan akibat melubernya makanan. Jangan meletakkan tutup *saucepan* atau panci di atas kompor. Letakkan *saucepan* dengan cara sedemikian rupa sehingga berada di tengah-tengah kompor. Saat Anda ingin memindahkan *saucepan* ke kompor lain, angkat dan tempatkan di atas

kompor yang Anda inginkan dan jangan menggesernya.

Memasak dengan gas

- Ukuran antara panci dan api harus sesuai. Sesuaikan nyala api gas sehingga api tidak melewati pinggiran bawah panci dan letakkan wajan di tengah-tengah *saucepan*.

Menggunakan *hob*



- 1 *Burner Normal* 20-22 cm
- 2 *Burner Normal* 20-22 cm
- 3 *Wok burner* 22-24 cm
- 4 *Rapid burner* 22-24 cm
- 5 *Burner tambahan* 12-18 cm adalah daftar diameter teko yang disarankan digunakan pada *burner* terkait.



PERINGATAN

Jangan menggunakan panci masak dengan ukuran yang tidak sesuai dengan batasan yang diberikan di atas. Penggunaan panci yang lebih besar dapat mengakibatkan Anda keracunan Karbon Monoksida, kelebihan panas pada permukaan di sekitarnya dan *knob* kontrol. Penggunaan panci yang lebih kecil dapat menimbulkan risiko Anda terbakar oleh nyala api.

Simbol api besar menunjukkan nyala api terbesar dan simbol api kecil menunjukkan nyala api terkecil. Pada posisi mati (atas), gas tidak dipasok ke *burner*.

Menyalakan *burner* gas



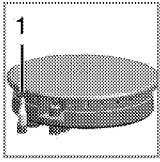
Bumer gas dinyalakan dengan tombol penyalakan.

1. Tekan dan tahan *burner knob*.
2. Putar berlawanan arah jarum jam ke arah simbol api besar.
3. Tekan dan lepaskan tombol penyalakan. Ulangi langkah ini hingga gas yang dilepaskan menyala.
4. Atur nyala api sesuai keinginan Anda.

Mematikan *burner* gas

Putar *knob* ke posisi *off* (atas).

Sistem *gas shut off safety* (pada model-model dengan komponen pengatur suhu)



1. *Gas shut off safety*

Sebagai suatu tindakan pencegahan dari ledakan karena cairan yang meluap ke atas *burner*, mekanisme pengaman akan menghentikan dan mematikan gas.

- Tekan *knob* ke arah dalam dan putar berlawanan arah jarum jam untuk menyalakan.
- Setelah gas nyala, tetap tekan *knob* selama 3-5 detik untuk mengaktifkan sistem pengaman.
- Apabila gas tidak menyala setelah Anda menekan dan melepaskan *knob*, ulangi sekali lagi dengan tetap menekan *knob* selama 15 detik.

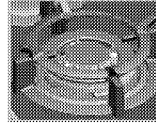


BAHAYA:

Lepaskan tombol apabila *burner* tidak menyala dalam waktu 15 detik.

Tunggu minimal 1 menit sebelum mencobanya kembali. Terdapat risiko akumulasi gas dan ledakan!

Wok burner



Wok burner membantu Anda memasak lebih cepat.

Wok, yang biasanya digunakan di dapur di Asia adalah sejenis panci *wok* berbentuk datar yang terbuat dari lembaran logam, yang digunakan untuk memasak sayuran dan daging yang dicincang dengan api yang sangat besar dalam waktu yang singkat.

Karena makanan dimasak dengan api yang sangat besar dan dalam waktu yang singkat dengan *fry-pan* tersebut, maka *wok* menghantarkan panas dengan rata dan cepat, kandungan nutrisi dari makanan yang disajikan terjaga dengan baik dan sayuran masih terasa renyah.

Anda dapat menggunakan *Wok burner* untuk *saucepan* biasa juga.

6 Bagaimana cara mengoperasikan oven

Informasi umum mengenai *baking*, *roasting* dan *grilling*



PERINGATAN

Permukaan panas menyebabkan luka bakar! Produk bisa saja dalam keadaan panas saat digunakan. Jangan pernah menyentuh *burner*, bagian dalam oven, *heater*, dan bagian lain yang panas. Jauhkan anak-anak dari oven. Selalu gunakan sarung tangan oven tahan panas saat memasukkan atau mengeluarkan makanan ke dalam/dari oven yang panas.



BAHAYA:

Hati-hati saat membuka pintu oven karena uap dapat saja keluar. Uap yang keluar dapat membuat melukai tangan, muka dan/atau mata anda.

Tips untuk *baking*

- Gunakan piring atau wadah logam yang dilapisi bahan anti lengket atau wadah aluminium atau cetakan silikon tahan panas.
- Manfaatkan ruang pada rak dengan maksimal.
- Letakkan cetakan *baking* di tengah-tengah rak.
- Pilih posisi rak yang benar sebelum menyalakan oven atau *grill*. Jangan mengganti posisi rak saat oven sudah panas.
- Jaga agar pintu oven tetap tertutup.

Tips untuk *roasting*

- Perlakuan ayam, kalkun utuh dan daging berukuran besar dengan kuah seperti jus lemon dan lada hitam sebelum memasak akan meningkatkan kualitas hasil memasak.
- Memerlukan waktu yang lebih lama sekitar 15 hingga 30 menit untuk *roasting* daging dengan tulang jika dibandingkan *roasting* daging tanpa tulang dengan ukuran yang sama.
- Setiap 1 cm ketebalan daging memerlukan waktu memasak sekitar 4 hingga 5 menit.
- Biarkan daging berada di oven sekitar 10 menit setelah selesai memasak. Kuah akan lebih merata dan tidak keluar pada saat daging diiris.
- Ikan harus diletakkan di rak tengah atau bawah dengan menggunakan piring tahan panas.

Tips untuk *roasting*

Ketika daging sapi, ikan dan daging unggas diolah dengan metode *grilling*, maka warnanya akan cepat berubah menjadi cokelat, berkerak dan tidak kering. Irisan yang rata, sate dan sosis khususnya cocok

untuk *roasting* sebagaimana sayuran dengan kandungan air yang tinggi seperti tomat dan bawang.

- Letakkan yang akan dibakar dengan cara *grilling* di atas rak kawat atau dalam loyang *baking* dengan rak kawat sedemikian rupa sehingga ruang yang tertutup tidak melebihi ukuran *heater*.
- Geser rak kawat atau loyang *baking* dengan *grill* ke tingkat yang diinginkan dalam oven. Apabila Anda melakukan *roasting* dengan rak kawat, geser *loyang baking* ke rak paling bawah untuk menampung tetesan lemak. Tambahkan sedikit air pada loyang agar mudah dibersihkan.



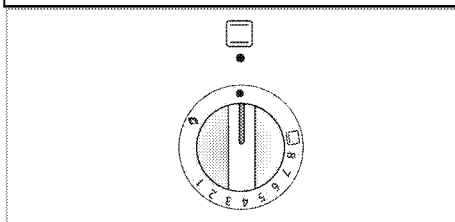
Makanan yang tidak cocok untuk *roasting* dapat menimbulkan risiko kebakaran. Hanya makanan bakar yang cocok untuk dipanaskan secara intensif melalui *roasting*.

Jangan meletakkan makanan terlalu jauh di bagian belakang *grill*. Ini adalah bagian yang paling panas dan makanan berlemak dapat memantik api.

Bagaimana cara menggunakan oven gas



Produk dilengkapi dengan klep pengaman. Saat api padam, pasokan gas diputus secara otomatis. Sehingga, akumulasi gas dapat dihindari.



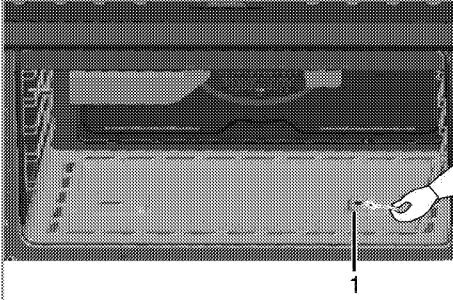
Oven gas dioperasikan dengan *knob* kendali oven gas. Saat berada di posisi *off* (atas), maka pasokan gas juga mati.

Menyalakan oven gas

Oven gas dinyalakan dengan menggunakan tombol penyalakan.

1. Buka pintu oven.
2. Tekan dan tahan *knob* kendali oven gas dan putar berlawanan arah jarum jam.
3. Tekan tombol penyalakan dan lepaskan lagi.

4. Tekan dan tahan *knob* kendali oven gas selama 3 hingga 5 detik.
- » Ulangi langkah-langkah di atas hingga gas yang keluar berhasil dinyalakan.
5. Tekan dan tahan *knob* kendali oven gas selama 3 hingga 5 detik lagi. Pastikan gas telah dipantik dan api sudah menyala.
6. Pilih tanda *baking power* gas yang diinginkan.
7. Jika tidak ada listrik; nyalakan gas dengan menggunakan korek gas dari lobang kendali pemantikan.



1 lobang kendali penyalaan



BAHAYA:

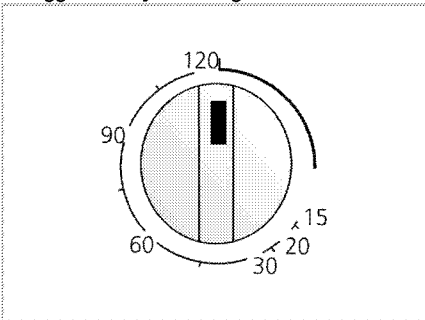
Terdapat risiko tekanan gas dan ledakan! Jangan mencoba menyalakan gas lebih dari 15 detik. Apabila *burner* tidak terpantik dalam waktu 15 detik, matikan *knob* dan tunggu 1 menit. Buka ventilasi ruangan sebelum mencoba kembali menyalakan *burner*. Terdapat risiko tekanan gas dan ledakan!

Matikan oven gas

1. Putar *knob* kendali oven gas ke posisi *off* (atas).
Tabel suhu tingkat gas

Tingkat gas	1	2	3	4	5	6	7	8
Suhu °C	165	170	173	175	185	195	225	250

Menggunakan jam sebagai alarm



Jam alarm tidak berpengaruh apa pun terhadap fungsi-fungsi oven. Jam alarm hanya digunakan sebagai pengingat. Misalnya, jam alarm akan berguna jika Anda ingin membalikkan makanan yang ada di dalam oven pada rentang waktu tertentu. Jam alarm akan memberi sinyal setelah waktu yang Anda setel berakhir.

Menyetel jam alarm

1. Putar *knob* Pengaturan Waktu searah jarum jam untuk menentukan berapa lama alarm akan berbunyi.

2. *Knob* akan berputar berlawanan arah jarum jam pada akhir waktu memasak dan alarm akan berbunyi. Jam alarm tidak mematikan oven.



Putar *knob* Fungsi berlawanan arah jarum jam ke posisi *off* untuk mematikan oven.

Tabel waktu memasak



Rak ke-1 dari oven adalah rak **bawah**.



Kapasitas beban maksimal loyang oven: 4 kg (8,8 lb).



Penentuan waktu dalam diagram ini hanyalah sebagai panduan. Penentuan waktu dapat berbeda tergantung suhu makanan, ketebalan, jenis dan kesukaan Anda dalam memasak.

Letakkan piring di atas lembaran *baking* untuk mencegah tetesan ke atas dasar oven dan membantu untuk menjaga agar oven tetap bersih.

Baking dan roasting

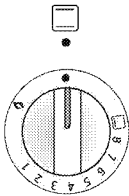
Makanan	Pemanasan awal *	Tingkat rak	Posisi knob kendali	Waktu memasak
Pastel anggur	10 menit	4..5	4..5	25..30 menit
Paster apel	10 menit	4..5	4..5	20..30 menit
Tart buah	10 menit	4..5	3..4	25..30 menit
Paster	10 menit	4..5	3..4	30..40 menit
Kue	-	5	2..3	25..35 menit
Kue kering	10 menit	4..5	4..5	25..35 menit
Keik	10 menit	4	1..2	50 menit
Biskuit	10 menit	5	1..2	20..30 menit
Kambing panggang	10 menit	4..5	7..8	25..30 menit per 450 g + 30 menit
Sapi panggang	10 menit	3..4	8	30..35 menit per 450 g + 30 menit
Kalkun	10 menit	2	7..8	50..60 menit per 450 g + 30 menit
Ayam	10 menit	2	7..8	25..30 menit per 450 g + 25 menit
Casseroles	-	4	6..7	90..120 menit ⁹
Ikan	10 menit	3	6..7	30..40 menit
Makaroni	10 menit	4	2..3	20 menit
Keik kecil	10 menit	4	1..2	45 menit
Victoria sandwich	10 menit	4	4..5	22..28 menit

* Pada posisi knob kendali 7 / ⁹ tergantung banyaknya / * tergantung ukuran

Bagaimana cara menggunakan grill gas



Produk dilengkapi dengan klep pengaman. Saat api padam, pasokan gas diputus secara otomatis. Sehingga, akumulasi gas dapat dihindari.



Grill dioperasikan dengan knob kendali Grill. Dalam posisi off (atas), gas tidak dipasok.



PERINGATAN

Permukaan panas dapat mengakibatkan luka bakar! Jauhkan anak-anak dari produk. Biarkan pintu oven tetap sedikit miring saat dibuka penuh sehingga, cipratan yang mungkin terjadi tidak akan mengenai Anda.



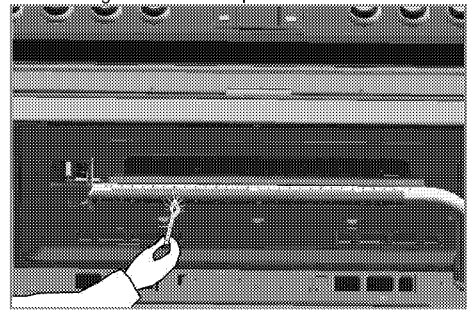
PERINGATAN

Tutup pintu oven selama proses grilling. Permukaan yang panas dapat mengakibatkan luka bakar!

Menyalakan grill

Grill gas dinyalakan dengan menggunakan tombol penyalakan.

1. Buka pintu oven.
2. Tekan dan tahan knob kemudian putar searah jarum jam ke simbol Grill.
3. Tekan dan lepaskan tombol penyalakan.
» Ulangi langkah-langkah tersebut hingga gas menyala.
4. Tekan dan tahan knob selama 3 hingga 5 detik lagi.
5. Pastikan grill menyala.
6. Apabila listrik mati, nyalakan grill burner dengan korek gas atau korek api.





BAHAYA:

Terdapat risiko tekanan gas dan ledakan! Jangan mencoba menyalakan gas lebih dari 15 detik. Apabila *burner* tidak berhasil dinyalakan dalam waktu 15 detik, matikan *knob* dan tunggu 1 menit. Buka ventilasi ruangan sebelum mencoba kembali menyalakan *burner*. Terdapat risiko tekanan gas dan ledakan!

Mematikan grill

1. Putar knob kendali Grill ke posisi Off (atas).

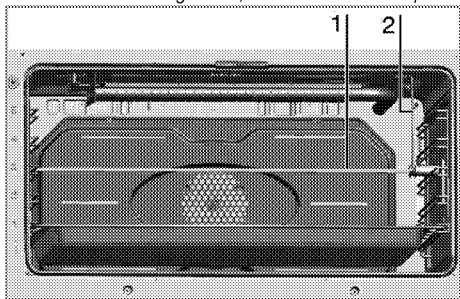


Makanan yang tidak cocok untuk *roasting* dapat menimbulkan risiko kebakaran. Hanya makanan bakar yang cocok untuk *roasting* dengan panas yang intensif. Jangan meletakkan makanan terlalu jauh di belakang *grill*. Ini adalah bagian terpanas dan makanan berlemak dapat memantik api.

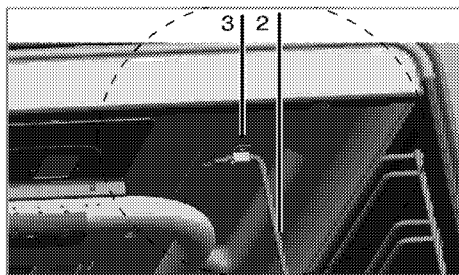
Fungsi Turnspit

Digunakan untuk *grilling* daging sapi, ayam dan ikan secara merata dari semua sisinya.

Setelah memilih fungsi Grill, tekan tombol Turnspit.



- 1 Turnspit
- 2 Kaitan turnspit



3. Slot turnspit
 - Tusukkan makanan yang akan di-grill pada turnspit dengan garpu.
 - Masukkan turnspit pada pendorong di sisi kiri celah open dan kaitkan ujung lainnya ke kaitan turnspit di sebelah kanan celah oven. Pastikan kaitan turnspit dimasukkan ke dalam slot turnspit.
 - Tempatkan sebuah loyang pada salah satu rak di bawahnya untuk menampung tetesan lemak. Tuangkan sedikit air loyang agar mudah dibersihkan.
 - **Jangan lupa untuk melepaskan pegangan plastik turnspit.**
 - Setelah selesai memasak, pasang pegangan plastik dan keluarkan makanan Anda dari oven.

i Bobot maksimal ayam atau kalkun yang akan dimasak dengan fungsi *roisserie* tidak dapat lebih dari 5 kg.

Tabel waktu memasak

i Penentuan waktu dalam diagram ini hanyalah sebagai panduan. Penentuan waktu dapat berbeda tergantung suhu makanan, ketebalan, jenis dan kesukaan Anda dalam memasak.

i Rak ke-1 dari oven adalah rak bawah.

Roasting dengan Grill gas

Makanan	Persiapan	Waktu Roasting*
produk roti bakar	3..10 menit
Potongan kecil daging sapi, sosis, daging asap, dll.	15..20 menit
Potongan daging, steak <i>gammon</i> , irisan ayam, dll.	Ayam dengan rak kawat diposisikan menghadap ke atas.	20..25 menit
Ikan utuh, <i>fillet</i> ikan, stik ikan	Ikan utuh dan <i>fillet</i> ikan ditempatkan di dasar <i>grill pan</i> .	10..20 menit
Ikan dalam tepung roti	15..20 menit
Produk kentang setengah matang	15..20 menit
Pizza	Ditempatkan di dasar <i>grill pan</i> .	12..15 menit
<i>Roasting/browning</i> makanan	Pinggan ditempatkan di dasar kotak <i>grill</i> .	8..10 menit

* tergantung pada ukuran dan ketebalan

7 Pemeliharaan dan perawatan

Informasi umum

Umur guna produk akan diperpanjang dan kemungkinan masalah akan menurun apabila produk dibersihkan secara rutin.



BAHAYA:

Putuskan produk dari pasokan listrik utama sebelum memulai pekerjaan pemeliharaan dan pembersihan.
Terdapat risiko sengatan listrik!



BAHAYA:

Biarkan produk dingin sebelum Anda membersihkannya.
Permukaan panas dapat mengakibatkan luka bakar!

- Bersihkan produk secara menyeluruh setiap kali setelah digunakan. Dengan cara ini maka dimungkinkan untuk membuang sisa masak lebih mudah, agar tidak terbakar pada saat perangkat digunakan kembali.
- Tidak diperlukan pembersih khusus untuk membersihkan produk. Gunakan air hangat dengan cairan pembersih, kain lembut atau spon untuk membersihkan produk dan seka dengan kain kering.
- Selalu pastikan setiap kelebihan cairan diseka dengan tuntas setelah pembersihan dan setiap tumpahan segera diseka dengan kering.
- Jangan menggunakan cairan pembersih yang mengandung asam atau klorida untuk membersihkan permukaan stainless atau *inox* dan pegangan. Gunakan kain lembut dengan deterjen cair (tidak kasar) untuk menyeka bagian-bagian tersebut dengan bersih, dengan hati-hati menyapu ke satu arah.
- **(Fitur ini adalah fitur pilihan. Fitur ini dapat saja tidak ada pada produk Anda.)**
Jangan menggunakan penggaruk logam yang kaku atau bahan pembersih kasar untuk membersihkan kaca penutup. Permukaan kaca dapat rusak.



Permukaan dapat rusak karena beberapa deterjen atau bahan pembersih. Jangan menggunakan deterjen yang terlalu keras, serbuk/krim pembersih atau benda tajam apa pun selama melakukan pembersihan.
Jangan menggunakan alat pembersih yang keras dan kasar atau penggaruk logam yang tajam untuk membersihkan kaca pintu oven karena dapat menggores permukaannya, yang dapat mengakibatkan kaca pecah.



Jangan menggunakan pembersih uap untuk membersihkan perangkat karena dapat menyebabkan sengatan listrik.

Membersihkan *hob*

Hob gas

1. Lepaskan dan bersihkan dudukan *saucepan* dan tutup *burner*.
2. Bersihkan *hob*.
3. Pasang tutup *burner* dan pastikan terpasang dengan benar.
4. Saat memasang *grill* atas, hati-hati untuk memasang dudukan *saucepan* sehingga *burner* berada di tengah.

Membersihkan *control panel*

Bersihkan *control panel* dan *knob* dengan kain basah dan seka hingga kering.



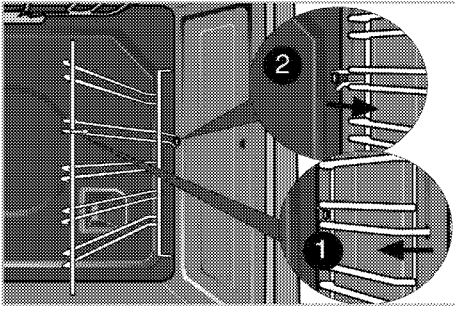
Apabila produk Anda dilengkapi dengan tombol-tombol/*knob*, jangan melepaskan tombol-tombol/*knob* kendali untuk membersihkan *control panel*.
Control panel dapat rusak!

Membersihkan oven

Membersihkan dinding oven

(Fitur ini adalah fitur pilihan. Fitur ini dapat saja tidak ada pada produk Anda.)

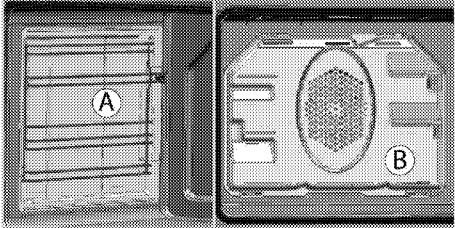
1. Lepaskan bagian rak sisi dengan menarik ke arah berlawanan dinding oven.
2. Lepaskan rak sisi dengan penuh dengan menariknya ke arah Anda.



Dinding katalis

(Fitur ini adalah fitur pilihan. Fitur ini dapat saja tidak ada pada produk Anda.)

Dinding bagian dalam (A) dan/atau dinding bagian belakang (B) produk Anda dapat saja dilapisi dengan enamel katalis. Dinding katalis berwarna *matte* cerah dan permukaan bertobang. Dinding katalis oven harus dibersihkan. Permukaan bertobang dari dinding katalis secara otomatis dibersihkan dengan menyerap dan mengubah tetesan minyak (uap dan karbon dioksida).



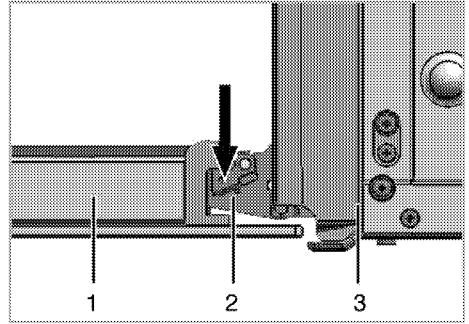
Membersihkan pintu oven

Untuk membersihkan pintu oven, gunakan air hangat dengan cairan pembersih, kain lembut atau spon untuk membersihkan produk dan seka dengan kain kering.

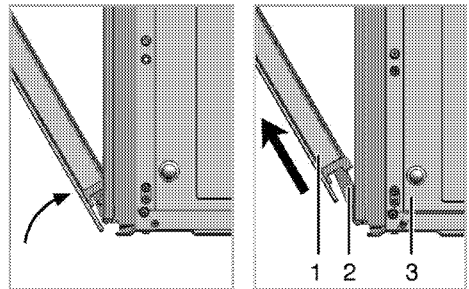
i Jangan menggunakan alat pembersih yang keras dan kasar atau penggaruk logam yang tajam untuk membersihkan pintu oven karena dapat menggores permukaannya, yang dapat mengakibatkan kaca pecah.

Melepaskan pintu oven

1. Buka pintu depan (1).
2. Buka klip pada rumah engsel (2) di sisi kanan dan sisi kiri dari pintu depan dengan mendorongnya ke bawah sebagaimana yang diilustrasikan dengan gambar di bawah.



- 1 Pintu depan
- 2 Engsel
- 3 Oven

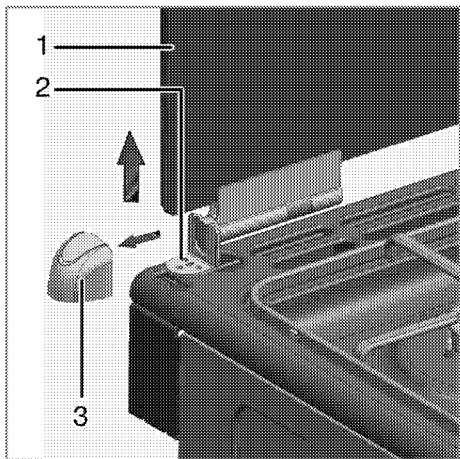


3. Muka pintu depan setengahnya.
4. Lepaskan pintu depan dengan menariknya ke atas untuk melepaskannya dari engsel kanan dan kiri.

i Langkah-langkah yang dilaksanakan selama proses pelepasan dilakukan dengan urutan terbalik apabila Anda ingin memasangnya kembali. Jangan lupa menutup klip pada rumah engsel saat memasang kembali pintu.

Melepaskan penutup atas

Tarik dan lepaskan bagian plastik yang berada di sebelah kanan dan kiri dari penutup atas kaca. Tarik ke atas dan lepaskan penutup dari engsel kiri dan kanan untuk melepaskannya dari meja burner.



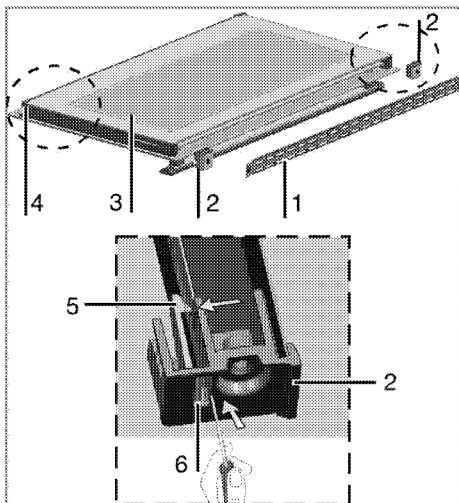
- 1 Penutup kaca
- 2 Plat engsel
- 3 Bagian plastik

Melepaskan kaca dalam dari pintu (Fitur ini adalah fitur pilihan. Fitur ini dapat saja tidak ada pada produk Anda.)

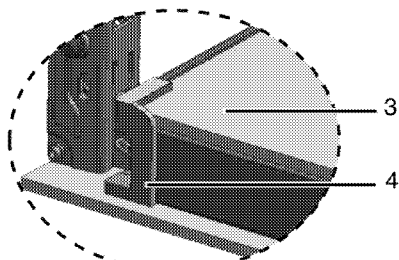
Panel kaca bagian dalam dari pintu oven dapat dilepaskan untuk dibersihkan.

- Buka pintu oven.
- Lepaskan bagian logam (1) dengan melepaskan ketiga sekrup yang menahannya.
- Untuk melepaskan pegangan plastik (2), gunakan logam atau plastik yang rata, misalnya, pisau, obeng pipih, untuk melepaskan kaki pengunci (5).

Dorong kaki pengunci melalui jendela (6) sesuai arah tanda panah.



- 1 Bagian logam
- 2 Carrier plastik
- 3 Panel kaca bagian dalam
- 4 Slot plastik bawah
- 5 Kaki pengunci
- 6 Jendela



- Tarik panel kaca bagian dalam (3) ke arah Anda hingga lepas dari slot plastik (4).
- Saat memasang kembali panel kaca, pastikan panel kaca terpasang pada slot plastik.

Mengganti lampu oven



BAHAYA:

Sebelum mengganti lampu oven, pastikan sambungan listrik produk ke sumber listrik diputus dan dibiarkan dingin untuk menghindari risiko sengatan listrik. Permukaan panas dapat mengakibatkan luka bakar!



Dalam oven ini, lampu pijar dengan daya kurang dari 40 W, tinggi kurang dari 60 mm, diameter kurang dari 30 mm atau lampu halogen dengan tipe soket G9, daya kurang dari 60 W digunakan. Lampu cocok untuk pengoperasian pada suhu di atas 300 °C. Lampu oven dapat diperoleh dari Agen Servis Resmi atau teknisi berlisensi.



Posisi lampu dapat berbeda dari gambar yang diberikan.



Lampu yang digunakan dalam perangkat ini tidak cocok untuk penerangan ruangan rumah tangga. Tujuan penggunaan lampu ini adalah untuk membantu pengguna melihat makanan.

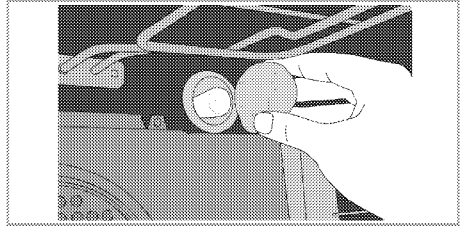


Lampu yang digunakan dalam perangkat ini harus tahan kondisi fisik ekstrim seperti suhu di atas 50 °C.

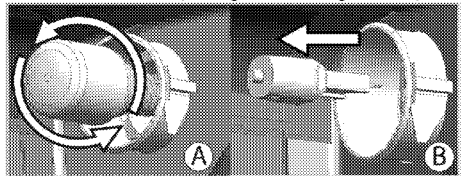
Apabila oven Anda dilengkapi dengan lampu bulat:

1. Putuskan produk dari sambungan listrik utama.

2. Putar penutup kaca berlawanan arah jarum jam untuk melepaskannya.



3. Apabila lampu oven Anda merupakan jenis (A) sebagaimana yang ditunjukkan dalam gambar di bawah ini, lepaskan dengan cara memutarinya sesuai instruksi pada gambar kemudian ganti. Apabila memiliki jenis (B), tarik dan lepaskan sesuai instruksi pada gambar dan ganti lampu.



4. Pasang penutup kaca.

8 Pemecahan masalah

Oven mengeluarkan uap saat digunakan

- Normal sekali apabila ada uap yang keluar selama oven digunakan. >>> *Ini bukan karena kerusakan.*

Produk mengeluarkan bunyi logam saat pemanasan dan pendinginan.

- Saat bagian logam dipanaskan, logam dapat memuai dan berbunyi. >>> *Ini bukan kerusakan.*

Tidak ada percikan saat menyalakan.

- Tidak ada arus. >>> *Periksa sekering pada kotak sekering.*

Tidak ada gas.

- Klep gas utama ditutup. >>> *Buka klep gas.*
- Pipa gas bengkok. >>> *Pasang pipa gas dengan semestinya.*

Burner tidak menyala dengan baik atau tidak menyala sama sekali.

- Burner kotor. >>> *Bersihkan komponen burner.*
- Burner basah. >>> *Bersihkan komponen burner.*
- Tutup Burner tidak terpasang dengan benar. >>> *Pasang tutup burner dengan benar.*
- Klep gas ditutup. >>> *Buka klep gas.*
- Tabung gas kosong (saat menggunakan LPG). >>> *Ganti tabung gas.*



Konsultasikan dengan Teknisi Servis Resmi atau teknisi berizin atau dealer tempat Anda membeli produk apabila Anda tidak dapat memecahkan permasalahan meskipun Anda telah melaksanakan petunjuk-petunjuk dalam bagian ini. Jangan mencoba memperbaiki produk cacat oleh Anda sendiri.

Produk ini diimport oleh:

PT. BEKO APPLIANCES INDONESIA,
The Plaza Office Tower Lt. 22 Unit F2-F3
Jl. MH. Thamrin Kav 28-30 Jakarta, Indonesia 10350
Telp : 021-2918-9229, Fax. : 021-2918-9228
Servis Beko : 0800 -100 - 2356

Produk ini dibuat oleh:

Arcelik A.S., Cooking Appliances Plant,
Yukarisoku Mah. Arcelik Sk No:1
14300 Bolu, Turkey
MADE in Turkey