



Oven

User Manual

Cuisinière

Manuel d'utilisation



FSGT61121DXL

EN / FR

285.3057.14/R.AB/20.06.2023/3-1

7738482806



RECYCLED &
RECYCLABLE PAPER

Please read this user manual first!

Dear Customer,

Thank you for purchasing this Beko product. We hope that you get the best results from your product which has been manufactured with high quality and state-of-the-art technology. Therefore, please read this entire user manual and all other accompanying documents carefully before using the product and keep it as a reference for future use. If you handover the product to someone else, give the user manual as well. Follow all warnings and information in the user manual.

Remember that this user manual is also applicable for several other models. Differences between models will be identified in the manual.

Explanation of symbols

Throughout this user manual the following symbols are used:



Important information or useful hints about usage.



Warning of hazardous situations with regard to life and property.



Warning of electric shock.



Warning of risk of fire.



Warning of hot surfaces.



Arçelik A.Ş.
Karaağaç caddesi No:2-6
34445 Sülüce/Istanbul/TURKEY
Made in TURKEY

TABLE OF CONTENTS

1 Important instructions and warnings for safety and environment **4**

General safety	4
Safety when working with gas	5
Electrical safety	6
Product safety	7
Intended use	10
Safety for children	10
Disposing of the old product	10
Package information	11

2 General information **12**

Overview	12
Package contents	13
Technical specifications	14
Injector table	15

3 Installation **17**

Before installation	17
Installation and connection	19
Future Transportation	23

4 Preparation **25**

Tips for saving energy	25
Initial use	25

First cleaning of the appliance	25
Initial heating	25

5 How to use the hob **26**

General information about cooking	26
Using the hobs	26

6 How to operate the oven **28**

General information on baking, roasting and grilling	28
How to use the gas oven	29
Cooking times table	30
How to operate the gas grill	30
Cooking times table	31

7 Maintenance and care **32**

General information	32
Cleaning the hob	32
Cleaning the control panel	32
Cleaning the oven	33
Cleaning the oven door	33
Removing the door inner glass	34
Replacing the oven lamp	35

8 Troubleshooting **36**

1 Important instructions and warnings for safety and environment

This section contains safety instructions that will help protect from risk of personal injury or property damage. Failure to follow these instructions shall void any warranty.

General safety

- This appliance can be used by children aged from 8 years and above and persons with reduced physical, sensory or mental capabilities or lack of experience and knowledge if they have been given supervision or instruction concerning use of the appliance in a safe way and understand the hazards involved.
Children shall not play with the appliance. Cleaning and user maintenance shall not be made by children without supervision.
- The appliance is not to be used by persons (including children) with reduced physical, sensory or mental capabilities, or lack of experience and knowledge, unless they have been given supervision or instruction. Children should be supervised and ensure they do not play with the appliance
- If the product is handed over to someone else for personal use or second-hand use purposes, the user manual, product labels and other relevant documents and parts should be also given.
- Never place the product on a carpet-covered floor. Otherwise, lack of airflow beneath the product will cause electrical parts to overheat. This will cause problems with your product.
- Installation and repair procedures must always be performed by Authorised Service Agents. The manufacturer shall not be held responsible for damages arising from procedures carried out by unauthorised persons which may also void the warranty. Before installation, read the instructions carefully.

- Do not operate the product if it is defective or has any visible damage.
- Ensure that the product function knobs are switched off after every use.

Safety when working with gas

- Any works on gas equipment and systems may only be carried out by authorised qualified persons who are Gas Safe registered.
- Prior to the installation, ensure that the local distribution conditions (nature of the gas and gas pressure) and the adjustment of the appliance are compatible.
- This appliance is not connected to a combustion products or evacuation device. It shall be installed and connected in accordance with current installation regulations. Particular attention shall be given to the relevant requirements regarding ventilation; See *Before installation*, page 17
- **CAUTION:** The use of gas cooking appliance results in the production of heat and moisture in the room in which it is installed. Ensure that the kitchen is well

ventilated: keep natural ventilation holes open or install a mechanical ventilation device (mechanical extractor hood). Prolonged intensive use of the appliance may call for additional ventilation, for example increasing the level of the mechanical ventilation where present.

- Gas appliances and systems must be regularly checked for proper functioning. Regulator, hose and its clamp must be checked regularly and replaced within the periods recommended by its manufacturer or when necessary.
- Clean the gas burners regularly. The flames should be blue and burn evenly.
- This product should be used in a room which incorporates a properly adjusted and functioning Carbon Monoxide sensor. Make sure the Carbon Monoxide sensor works properly and is maintained frequently. Carbon Monoxide sensor should be installed maximum 2 meters away from the product.
- Good combustion is required in gas appliances. In case of

incomplete combustion, carbon monoxide (CO) might develop. Carbon monoxide is a colourless, odourless and very toxic gas, which has a lethal effect even in very small doses.

- Request information about gas emergency telephone numbers and safety measures in case of gas smell from you local gas provider.
- Conditions and values for gas adjustment of this product are provided on the rating/type label.

What to do when you smell gas

- Do not use open flame or do not smoke. Do not operate any electrical buttons (e.g. lamp button, door bell and etc.) Do not use fixed or mobile phones. Risk of explosion and toxication!
- Open doors and windows.
- Turn off all valves on gas appliances and gas meter at the main control valve, unless it's in a confined space or cellar.
- Check all tubes and connections for tightness. If you still smell gas leave the property.

- Warn the neighbours.
- Call the fire-brigade. Use a telephone outside the house.
- Do not re-enter the property until you are told it is safe to do so.

Electrical safety

- If the product has a failure, it should not be operated unless it is repaired by an Authorised Service Agent. There is the risk of electric shock!
- Only connect the product to a grounded outlet/line with the voltage and protection as specified in the "Technical specifications". Have the grounding installation made by a qualified electrician while using the product with or without a transformer. Our company shall not be liable for any problems arising due to the product not being earthed in accordance with the local regulations.
- Never wash the product by spreading or pouring water onto it! There is the risk of electric shock!
- The product must be disconnected during installation, maintenance, cleaning and repairing procedures.

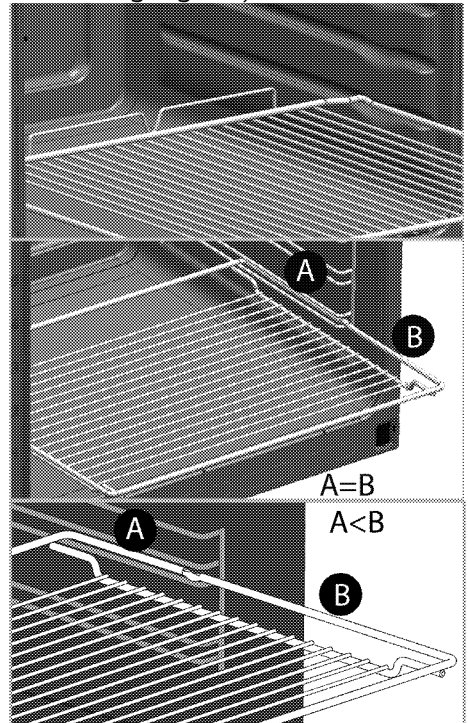
- If the power connection cable for the product is damaged, it must be replaced by the manufacturer, its service agent or similarly qualified persons in order to avoid a hazard.
- The appliance must be installed so that it can be completely disconnected from the mains supply. The separation must be provided by a switch built into the fixed electrical installation, according to construction regulations.
- Rear surface of the oven gets hot when it is in use. Make sure that the gas/electrical connection does not contact with the rear surface; otherwise, connections can get damaged.
- Do not trap the mains cable between the oven door and frame and do not route it over hot surfaces. Otherwise, cable insulation may melt and cause fire as a result of short circuit.
- Any work on electrical equipment and systems should only be carried out by authorised and qualified persons.
- In case of any damage, switch off the product and disconnect it from the mains. To do this, turn off the fuse at home.
- Make sure that fuse rating is compatible with the product.

Product safety

- **WARNING:** The appliance and its accessible parts become hot during use. Care should be taken to avoid touching heating elements. Children less than 8 years of age shall be kept away unless continuously supervised.
- Never use the product when your judgment or coordination is impaired by the use of alcohol and/or drugs.
- Be careful when using alcoholic drinks in your dishes. Alcohol evaporates at high temperatures and may cause fire since it can ignite when it comes into contact with hot surfaces.
- Food Poisoning Hazard: Do not let food sit in oven for more than 1 hour before or after cooking. Doing so can result in food poisoning or sickness.

- Do not place any flammable materials close to the product as the sides may become hot during use.
- During use the appliances becomes hot. Care should be taken to avoid touching heating elements inside the oven.
- Keep all ventilation slots clear of obstructions.
- Do not heat closed tins and glass jars in the oven. The pressure that would build-up in the tin/jar may cause it to burst.
- Do not place baking trays, dishes or aluminium foil directly onto the bottom of the oven. The heat accumulation might damage the bottom of the oven.
- Do not use harsh abrasive cleaners or sharp metal scrapers to clean the oven door glass since they can scratch the surface, which may result in shattering of the glass.
- Do not use steam cleaners to clean the appliance as this may cause an electric shock.
- (Varies depending on the product model.)
Placing the wire shelf and tray onto the wire racks properly

It is important to place the wire shelf and/or tray onto the rack properly. Slide the wire shelf or tray between 2 rails and make sure that it is balanced before placing food on it (Please see the following figure).



- Do not use the product if the front door glass is removed or cracked.
- Do not use the oven handle to hang towels for drying. Do not hang up towel, gloves, or similar textile products when the grill function is at open door.

- Always use heat resistant oven gloves when putting in or removing dishes into/from the hot oven.
 - Place the baking paper into the cooking pot or on to the oven accessory (tray, wire grill etc) together with the food and then insert all into the preheated oven. Remove the excess parts of the baking paper overflowing from the accessory or the pot in order to prevent the risk of touching the oven's heating elements. Never use the baking paper in an operating temperature higher than the indicated value for the baking paper. Do not place the baking paper directly on the base of the oven.
 - **WARNING:** Ensure that power cord of the appliance is unplugged or circuit breaker is switched off before replacing the lamp to avoid the possibility of electric shock.
 - Do not close the top cover before the hotplates or burners cool down. Wipe the top cover dry before opening it in order to avoid water leakage to the rear and inner sections of the oven.
 - The appliance must not be installed behind a decorative door in order to avoid overheating.
 - Product must be placed directly on the floor. It must not be placed onto a base or a pedestal.
 - **WARNING:** Unattended cooking on a hob with fat or oil can be dangerous and may result in fire. NEVER try to extinguish a fire with water, but switch off the appliance and then cover flame e.g. with a lid or a fire blanket.
 - **CAUTION:** The cooking process has to be supervised. A short term cooking process has to be supervised continuously.
 - **WARNING:** Danger of fire: Do not store items on the cooking surfaces.
- Prevention against possible fire risk!
- Ensure all electrical connections are secure and tight to prevent risk of arcing.
 - Do not use damaged cables or extension cables.
 - Ensure liquid or moisture is not accessible to the electrical connection point.

- To prevent gas leakage ensure that the gas connection is sound.

Intended use

- This product is designed for domestic use. Commercial use will void the guarantee.
- **CAUTION:** This appliance is for cooking purposes only. It must not be used for other purposes, for example room heating.
- This product should not be used for warming the plates under the grill, drying towels, dish cloths etc. by hanging them on the oven door handles. This product should also not be used for room heating purposes.
- The manufacturer shall not be liable for any damage caused by improper use or handling errors.
- The oven can be used for defrosting, baking, roasting and grilling food.

Safety for children

- **WARNING:** Accessible parts may become hot during use. Young children should be kept away.
- The packaging materials will be dangerous for children. Keep the packaging materials away from children.

Please dispose of all parts of the packaging according to environmental standards.

- Electrical and/or gas products are dangerous to children. Keep children away from the product when it is operating and do not allow them to play with the product.
- An additional protective means to avoid contact with the oven door is available. This part should be fitted when young children are likely to be present.
- Do not place any items above the appliance that children may reach for.
- When the door is open, do not load any heavy object on it and do not allow children to sit on it. It may overturn or door hinges may get damaged.

Disposing of the old product

Compliance with the WEEE Directive and Disposing of the Waste Product:



This product complies with EU WEEE Directive (2012/19/EU). This product bears a classification symbol for waste electrical and electronic equipment (WEEE).

This product has been manufactured with high quality parts and materials which can be reused and are suitable for recycling. Do not dispose of the waste product with normal domestic and other wastes at the

end of its service life. Take it to the collection center for the recycling of electrical and electronic equipment. Please consult your local authorities to learn about these collection centers.

Compliance with RoHS Directive:

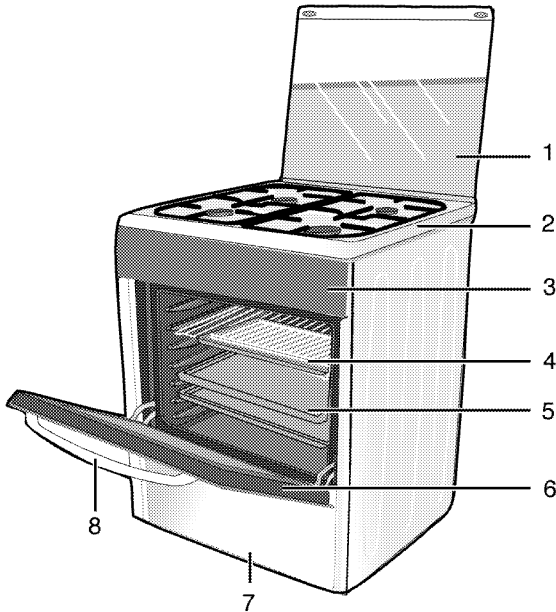
The product you have purchased complies with EU RoHS Directive (2011/65/EU). It does not contain harmful and prohibited materials specified in the Directive.

Package information

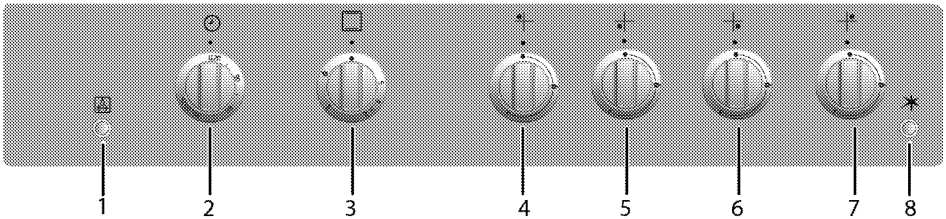
- Packaging materials of the product are manufactured from recyclable materials in accordance with our National Environment Regulations. Do not dispose of the packaging materials together with the domestic or other wastes. Take them to the packaging material collection points designated by the local authorities.

2 General information

Overview



- | | |
|-----------------|--------------|
| 1 Top lid | 5 Tray |
| 2 Burner plate | 6 Front door |
| 3 Control panel | 7 Lower part |
| 4 Wire shelf | 8 Handle |



- | |
|--------------------------------|
| 1 Lamp and Turnspit button |
| 2 Mechanical timer |
| 3 Oven knob |
| 4 Normal burner Rear left |
| 5 Wok burner Front left |
| 6 Auxiliary burner Front right |
| 7 Normal burner Rear right |
| 8 Ignition button |

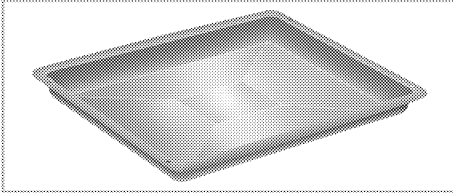
Package contents

i Accessories supplied can vary depending on the product model. Not every accessory described in the user manual may exist on your product.

1. User manual

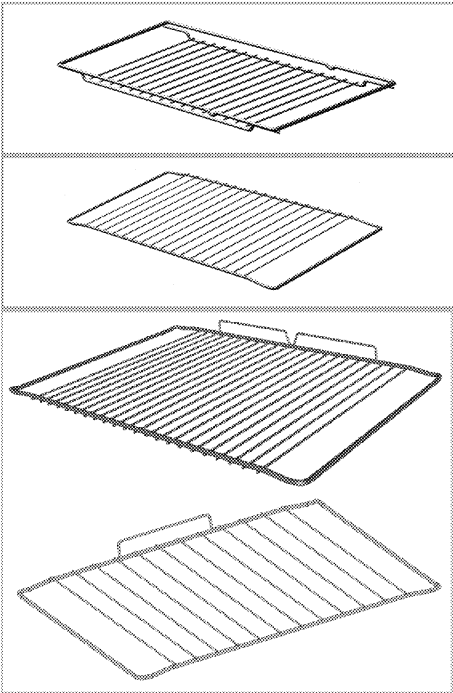
2. Standard tray

Used for pastries, frozen foods and big roasts.



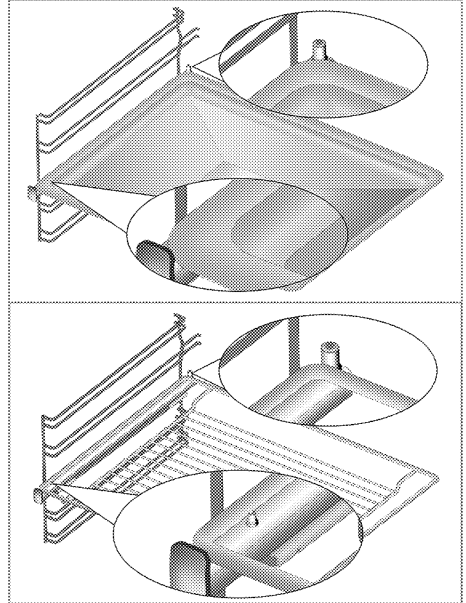
3. Wire grill

Used for roasting and for placing the food to be baked, roasted or cooked in casserole dishes to the desired rack.



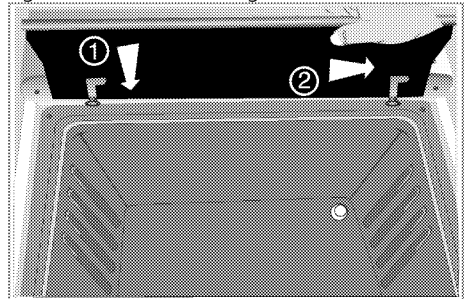
4. Placing the wire shelf and tray onto the telescopic racks properly (This feature is optional. It may not exist on your product.)

Telescopic racks allow you to install and remove the trays and wire shelf easily. When using the tray and wire shelf with telescopic racks, make sure that the pins at the rear section of the telescopic rack stand against the edges of the wire shelf and tray.



5. Knob protection sheet

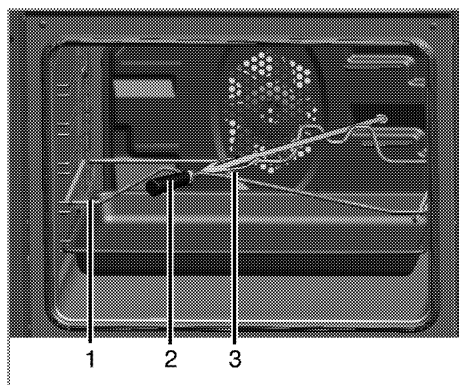
Used for grilling with the oven door open. Protects the control panel and buttons against heat and soiling.



6. Rotisserie chicken

Used to grill meat, poultry and fish evenly from all sides.

- Fix the food to be grilled to the turn spit with the forks.
- Place the turn spit frame into the oven by aligning it with the turn spit driver.
- Insert the sharp edge of the turn spit into the turn spit driver and place the turn spit onto the turn spit frame.
- Remove the spit handle while grilling.



- 1 Turn spit frame
 - 2 Plastic handle *
 - 3 Fork
- * (Varies depending on the product model.)

Technical specifications

GENERAL	
External dimensions (height / width / depth)	850 mm/600 mm/600 mm
Voltage / frequency	220-240 V ~ 50/60 Hz
Cable type / section	min.H05VV-FG 3 x 1,5 mm ²
Category of gas product	Cat I 3B/P
Installed gas type / pressure of the product	G 30/30 mbar
Total gas consumption	10,8 kW (785 g/h)
HOB	
Burners	
Rear left	Normal burner
Power	2 kW (145 g/h)
Front left	Wok burner
Power	3,3 kW (240 g/h)
Front right	Auxiliary burner
Power	1 kW (73 g/h)
Rear right	Normal burner
Power	2 kW (145 g/h)
OVEN/GRILL	
Main oven	Gas oven
Inner lamp	15 25 W
Grill power consumption	2,5 kW (182 g/h)
Gas consumption of oven	2,5 kW (182 g/h)

i Technical specifications may be changed without prior notice to improve the quality of the product.

i Figures in this manual are schematic and may not exactly match your product.

i Values stated on the product labels or in the documentation accompanying it are obtained in laboratory conditions in accordance with relevant standards. Depending on operational and environmental conditions of the product, these values may vary.

Injector table

Position hob zone	2 kW (145 g/h) Rear left	3,3 kW (240 g/h) Front left	1 kW (73 g/h) Front right	2 kW (145 g/h) Rear right
Gas type / Gas pressure				
G 30/28-30 mbar	72	96	50	72
Gas type / Gas pressure	Gas oven		Grill	
G 30/28-30 mbar	77		73	

You can obtain the injectors which were not provided with your product, from the authorised service provider.

Country gas categories/types/pressure

You can find the gas type, pressure and gas category that can be used for the country where the product will be installed in the table below.

COUNTRY CODES	CATEGORY		GAS TYPE AND PRESSURE			
FR	Cat II	2E+3+	G20,20 mbar	G25,25 mbar	G30,28 30 mbar	G31,37 mbar
BE	Cat II	2E+3+	G20,20 mbar	G25,25 mbar	G30,28 30 mbar	G31,37 mbar
RU	Cat II	2H3B/P	G20,20 mbar	G30,30 mbar	G20,13 mbar	G20,10 mbar
CZ	Cat II	2H3+	G20,20 mbar	G30,28 30 mbar	G31,37 mbar	
NL	Cat II	2E(43.46 - 45.3 MJ/m ³ (0°C))3B/P	G25.3,25 mbar	G20,20 mbar	G30,30 mbar	
	Cat II	2L3B/P	G25,25 mbar	G20,20 mbar	G30,30 mbar	
GB	Cat II	2H3+	G20,20 mbar	G30,28 30 mbar	G31,37 mbar	
IE	Cat II	2H3+	G20,20 mbar	G30,28 30 mbar	G31,37 mbar	
ES	Cat II	2H3+	G20,20 mbar	G30,28 30 mbar	G31,37 mbar	
PT	Cat II	2H3+	G20,20 mbar	G30,28 30 mbar	G31,37 mbar	
CH	Cat II	2H3+	G20,20 mbar	G30,28 30 mbar	G31,37 mbar	
IT	Cat II	2H3+	G20,20 mbar	G30,28 30 mbar	G31,37 mbar	
SK	Cat II	2H3+	G20,20 mbar	G30,28 30 mbar	G31,37 mbar	
CY	Cat II	2H3+	G20,20 mbar	G30,28 30 mbar	G31,37 mbar	
SI	Cat II	2H3+	G20,20 mbar	G30,28 30 mbar	G31,37 mbar	
GR	Cat II	2H3+	G20,20 mbar	G30,28 30 mbar	G31,37 mbar	
PL	Cat II	2ELS3B/P	G20,20 mbar	G2.350,13 mbar	G30,37 mbar	
	Cat II	2E3P(B/P)	G20,20 mbar	G30,37 mbar		
DE	Cat II	2E3B/P	G20,20 mbar	G30,50 mbar		
AT	Cat II	2H3B/P	G20,20 mbar	G30,50 mbar		
SE	Cat II	2H3B/P	G20,20 mbar	G30,30 mbar		

COUNTRY CODES	CATEGORY		GAS TYPE AND PRESSURE			
LT	Cat II	2H3B/P	G20,20 mbar	G30,30 mbar		
NO	Cat II	2H3B/P	G20,20 mbar	G30,30 mbar		
RO	Cat II	2H3B/P	G20,20 mbar	G30,30 mbar		
DK	Cat II	2H3B/P	G20,20 mbar	G30,30 mbar		
EE	Cat II	2H3B/P	G20,20 mbar	G30,30 mbar		
MA	Cat II	2H3B/P	G20,20 mbar	G30,30 mbar		
FI	Cat II	2H3B/P	G20,20 mbar	G30,30 mbar		
HR	Cat II	2H3B/P	G20,20 mbar	G30,30 mbar		
TR	Cat II	2H3B/P	G20,20 mbar	G30,30 mbar		
MT	Cat I	3B/P	G30,30 mbar			
IS	Cat I	2H	G20,20 mbar			
LV	Cat I	2H	G20,20 mbar			
LU	Cat I	2E	G20,20 mbar			
BG	Cat I	2H	G20,20 mbar			
	Cat I	3B/P	G30,30 mbar			
HU	Cat I	2H	G20,25 mbar			
	Cat I	3B/P	G30,30 mbar			

3 Installation

Product must be installed by a qualified person in accordance with the regulations in force. The manufacturer shall not be held responsible for damages arising from procedures carried out by unauthorized persons which may also void the warranty.

i Preparation of location and electrical and gas installation for the product is under customer's responsibility.

! The product must be installed in accordance with all local gas and/or electrical regulations.

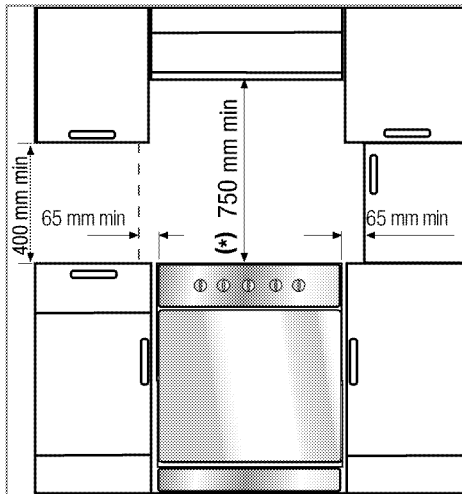
! Prior to installation, visually check if the product has any defects on it. If so, do not have it installed. Damaged products cause risks for your safety.

Before installation

To ensure that critical air gaps are maintained under the appliance, we recommend that this appliance is mounted on a solid base and that the feet do not sink into any carpet or soft flooring.

The kitchen floor must be able to carry the weight of the appliance plus the additional weight of cookware and bakeware and food. If the range is placed on a base, measures have to be taken to prevent the appliance slipping from the base.

The appliances must not be installed behind a decorative door in order to avoid overheating.

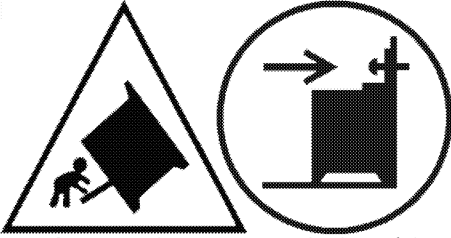


- This product is a class 1 device according to EN 30-1-1 standard, i.e. it may be placed with the rear and **one** side to kitchen walls, kitchen furniture or equipment of any size. The kitchen furniture or equipment on the **other** side may only be of the same size or smaller.
- It can be used with cabinets on either side but in order to have a minimum distance of 400mm above hotplate level allow a side clearance of 65mm between the appliance and any wall, partition or tall cupboard.
- It can also be used in a free standing position. Allow a minimum distance of 750 mm above the hob surface.
- (*) If a cooker hood is to be installed above the cooker, refer to cooker hood manufacturer' instructions regarding installation height. If not defined any size in the hood manual, this height should be at least 750 mm.
- Any kitchen furniture next to the appliance must be heat-resistant (100 °C min.).

i **LP Gas Only**
Don't install this appliance in a room below ground level unless it is oven to ground level on at least one side. Failure to install appliances correctly is dangerous and could result in prosecution.



Warning - Risk of tipping!



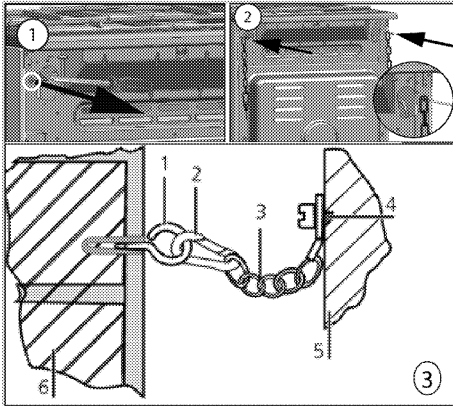
Warning: In order to prevent tipping of the appliance, this stabilizing means must be installed. Refer to the instructions for installation.

Safety chain

If your product has 2 safety chains;

The appliance must be secured against overbalancing by using the supplied two safety chains on your oven.

Fasten hook (1) by using a proper peg to the kitchen wall (6) and connect safety chain (3) to the hook via the locking mechanism (2).

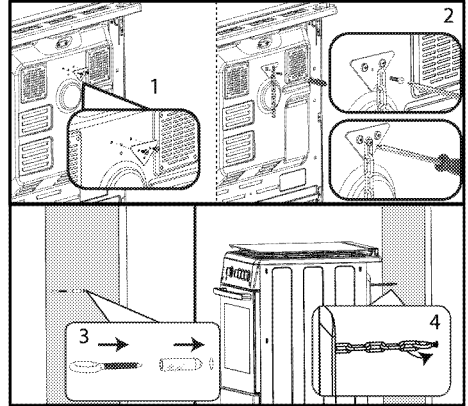


- 1 Stability hook
- 2 Locking mechanism
- 3 Safety chain (supplied and mounted to oven)
- 4 Firmly fix chain to cooker rear
- 5 Rear of cooker
- 6 Kitchen wall

If your product has 1 safety chain;

The appliance must be secured against overbalancing by using the supplied one safety chain on your oven.

Follow below steps in the picture to secure the safety chain to your product.



Stability chain to be as short as practicable to avoid oven tilting forward and diagonal to avoid oven side tilting.

Cooker stability chain for cookers is not designed with bracket engagement slot.

Room ventilation

All rooms require an openable window, or equivalent, and some rooms will require a permanent vent as well. The air for combustion is taken from the room air and the exhaust gases are emitted directly into the room. Good ventilation is essential for safe operation of your appliance.

Rooms with doors and/or windows which open directly to the outer environment

The doors and/or windows that open directly to the outer environment must have a total ventilation opening of the dimensions specified in the table below which is based on the total gas power of the appliance (total gas power consumption of the appliance is shown in the technical specification table of this user manual). If the doors and/or windows do not have a total ventilation opening corresponding to the total gas consumption of the appliance as specified in the table below, then there must definitely be an additional fixed ventilation opening in the room to ensure that the total minimum ventilation requirements for the total gas consumption

of the appliance is achieved. The fixed ventilation opening can include openings for existing airbricks, extraction hood ducting opening dimension etc.

Total gas consumption (kW)	min. Ventilation opening (cm ²)
0-2	100
2-3	120
3-4	175
4-6	300
6-8	400
8-10	500
10-11.5	600
11.5-13	700
13-15.5	800
15.5-17	900
17-19	1000
19-24	1250

Rooms that do not have openable doors and/or windows that open directly to the outer environment

If the room where the appliance is installed does not have a door and/or a window that opens directly to the outer environment, other products shall be sought that definitely provide a fixed nonadjustable and non-closable ventilation opening which meets the total minimum ventilation opening requirements for the total gas consumption of the appliance as indicated in the above table. Also the appropriate building regulations advise should be followed.

Where a room or internal space contains more than one gas appliance, additional ventilation area shall be provided on top of the requirement given in the table above. Size of additional ventilation area shall be appropriate to regulations of other gas appliances.


There should also be a minimum clearance of 10mm on the bottom edge of the door that opens to the inner environment in the room where the appliance is installed. You must ensure that items such as carpets and other floorcoverings etc., do not affect the clearance when the door is closed.

The cooker may be located in a kitchen, kitchen/diner or a bed-sitting room, but not in a room containing a bath or a shower. The cooker must not be installed in a bed-sitting room of less than 20m³.


Do not install this appliance in a room below ground level unless it is open to ground level on at least one side.

Installation and connection

Product can only be installed and connected in accordance with the statutory installation rules.


 Do not install the product next to refrigerators or freezers. The heat emitted by the product will increase the energy consumption of cooling appliances.

- Carry the product with at least two persons.
- Product must be placed directly on the floor. It must not be placed onto a base or a pedestal.

 Do not use the door and/or handle to carry or move the product. The door, handle or hinges get damaged.

Electrical connection

Connect the product to a grounded outlet/line protected by a miniature circuit breaker of suitable capacity as stated in the "Technical specifications" table. Have the grounding installation made by a qualified electrician while using the product with or without a transformer. Our company shall not be liable for any damages that will arise due to using the product without a grounding installation in accordance with the local regulations.

 The product must be connected to the mains supply only by an authorised and qualified person. The product's warranty period starts only after correct installation. Manufacturer shall not be held responsible for damages arising from procedures carried out by unauthorised persons.

! The power cable must not be clamped, bent or trapped or come into contact with hot parts of the product.

A damaged power cable must be replaced by a qualified electrician. Otherwise, there is risk of electric shock, short circuit or fire!

The mains supply data must correspond to the data specified on the type label of the product. The rating plate is either seen when the door or the lower cover is opened or it is located at the rear wall of the unit depending on the unit type.

Power cable of your product must comply with the values in "Technical specifications" table.

! Before starting any work on the electrical installation, disconnect the product from the mains supply. There is the risk of electric shock!

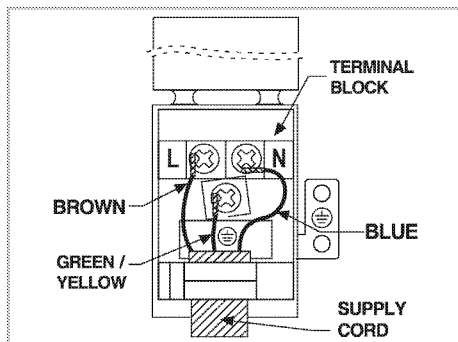
Connecting the power cable

i While performing the wiring, you must apply with the national/local electrical regulations and must use the appropriate socket outlet/line and plug for oven. In case of the product's power limits are out of current carrying capability of plug and socket outlet/line, the product must be connected through fixed electrical installation directly without using plug and socket outlet/line.


1. If it is not possible to disconnect all poles in the supply power, a disconnection unit with at least 3 mm contact clearance (fuses, line safety switches, contactors) must be connected and all the poles of this disconnection unit must be adjacent to (not above) the product in accordance with IEE directives. Failure to obey this instruction may cause operational problems and invalidate the product warranty.

Additional protection by a residual current circuit breaker is recommended.

If a cable is supplied with the product:



2. **For single-phase connection**, connect as identified below:

- Brown cable = L (Phase)
- Blue cable = N (Neutral)
- Green/yellow cable = (E)  (Ground)

Gas connection

! **General warnings**

- There is risk of explosion, fire and toxication could be occur if installation, repair or connection are made from unauthorised/unlicensed/ unqualified person or technician.
- Before placing the product, make sure that the local distribution conditions (gas type and pressure) and whether the product gas setting complies with these conditions. Gas adjustment conditions and values of the product are located on the labels (or type label).
- If your country code is not on the label, follow the local technical instructions for your country for gas connection and conversion.
- Product can be connected to gas supply system only by an authorised/licensed/ qualified person or technician.
- Manufacturer shall not be held responsible for damages arising from procedures carried out by unauthorised/unlicensed/ unqualified person or technician.
- Before starting any work on the gas installation, disconnect the gas supply. There is the risk of explosion!
- **If you need to use your product later with a different type of gas, you must consult the authorised/licensed/ qualified**

person or technician for the related conversion procedure.

- Make sure that the gas connection is checked well for tightness after each use. The manufacturer cannot be held responsible for any damages that may arise due to gas leakage that may occur as a result of gas connection or conversion made by unauthorized/non-licensed persons.



Risks of fire:

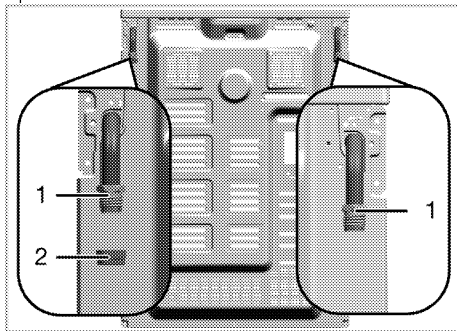
If you do not make the connection according to the instructions below, there will be the risk of gas leakage and fire. **Our company cannot be held responsible for damages resulting from this.**

- Gas connection must be made by an authorised/licensed/ qualified person or technician only.
- Make sure that the gas hose to be used in the gas connection complies with the local gas standards.
- The flexible gas hose must be connected in a way that it does not contact the moving parts and hot surfaces (shown below figures) around it and is not trapped when the moving parts are travelling. (e.g. drawers). Besides, it should not be placed in spaces where it might get squeezed.
- Do not move the product whose gas connection is complete. If it is moved, there may be a risk of gas leakage.
- The gas hose should be connected by making wide-angle turns against the possibility of breaking and folding during the connection.
- The gas hose should not be crushed, folded, pinched, touched by sharp corners or come into contact with hot parts of the product and cookware on the product. There is a risk of explosion due to damage to the gas hose!
- The gas hose should not come into contact with parts that can reach a temperature of 70 C above room temperature.
- A spanner must be used for gas connection and conversion.

Choosing the gas connection side

If your product has two gas outlets; the connection direction can be changed according to the direction of the gas main source.

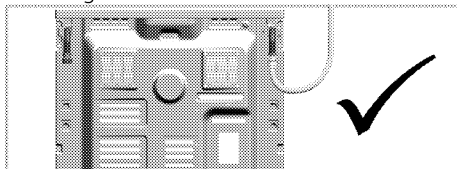
- One of the two outlets is sealed with a blind plug. The end of the other outlet is open.



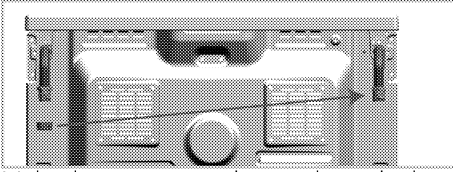
- 1 Gas hose outlet
- 2 Blind plug

(The outlet to which the blind plug is attached may vary depending on the product model.)

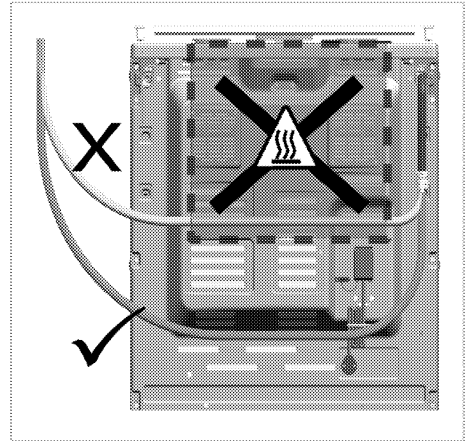
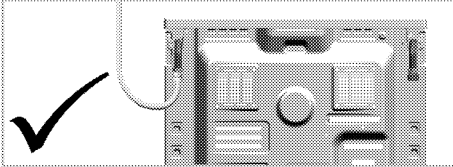
- Before gas connection, make sure that the gas main supply and the gas hose outlet of the product to be connected to the gas is on the same side.
- If the gas main supply and the open-ended gas hose outlet are on the same side, make the gas connection as shown in the figure below.



- If the gas main supply and the gas hose outlet sealed with the blind plug face on the same side, remove the blind plug from the gas hose outlet using two wrenches. Close the gas hose outlet with this blind plug where gas connection will not be made with a new (unused) sealing gasket.
- You must sure that the sealing gasket is correctly positioned in place.

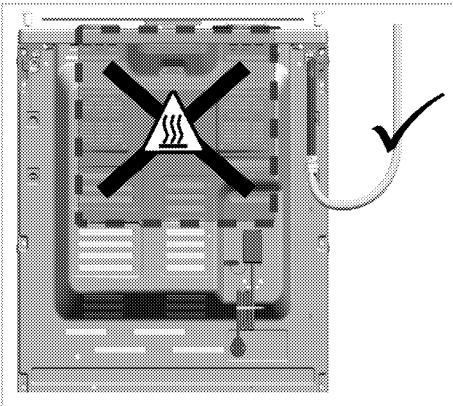


- Make the gas connection as shown in the figure below on the gas hose outlet near the gas main supply.



If your product has only one gas outlet;


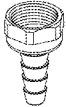

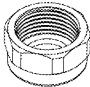
- Before gas connection, make sure that the gas main supply and the gas hose outlet of the product to be connected to the gas is on the same side.



- If the gas hose outlet and the gas main supply do not face on the same side, make sure that the hose does not pass through the hot area when connecting it.

Parts for Gas Connection

The parts and tools visuals, may be required for the gas connection are given below. Depending on the model, these parts may not be given with the product. The gas connections parts to be used may vary according to the gas type and country regulations.

	Leakage Seal
	Connection piece for liquid gas (G30,G31)
	Gas outlet connection piece
	Blind plug

Making the gas connection - LPG

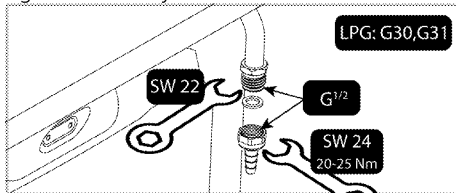
- Your product should be connected in a way that it will be close to the gas connection to prevent gas leakage.
- Before making your gas connection, provide a plastic gas hose and suitable mounting clamp. The inner diameter of the plastic gas hose must be 10 mm and the length should not be longer than 150

cm. The plastic hose must be leak-proof and inspectable.

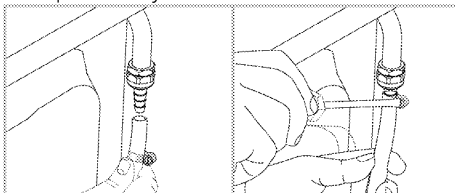
- Gas appliances and systems must be regularly checked for proper functioning. Regulator, hose and its clamp must be checked regularly and replaced within the periods recommended by its manufacturer or when necessary.
- A new sealing gasket must be used while making the gas connection.
- The gas connection must be made via a gas hose or a fixed connection.

Connection with gas hose

1. Place the new seal in the connection piece for liquid gas and make sure the seal is seated correctly.
2. Secure the gas connection outlet of the product with a 22 mm spanner, connect the connecting piece to the gas outlet of the product with a 24 mm spanner and tighten securely.



3. Fit the mounting clamp to one end of the gas hose. Soften the end of the gas hose to which you have attached the clamp by placing it in boiling water for one minute.
4. Insert the softened gas hose all the way into the connection piece. Tighten the clamp securely with a screwdriver.



5. You must check for leakage of the connection part after connection.

Leakage check at the connection point

- Make sure that all knobs on the product are turned off. Make sure that the gas supply is open. Prepare soapy foam and apply it onto the connection point of the hose for gas leakage control.

- Soapy part will froth if there is a gas leakage. In this case, inspect the gas connection once again.
- **If your product has two gas hose outlets**, make sure that the unused gas outlet is sealed with a blind plug. Prepare soapy foam and apply it onto the connection point of the blind plug to check for gas leaks. Soapy part will froth if there is a gas leakage. In this case, inspect the blind plug connection again.
- Instead of soap, you can use commercially available sprays for gas leak check.
- If there is gas leak, shut off the gas supply and ventilate the room.

i Never use a match or lighter to make the gas leakage control.

- Push the product towards the kitchen wall.
- **Adjusting the feet of oven**
Vibrations during use may cause cooking vessels to move. This dangerous situation can be avoided if the product is level and balanced.
For your own safety please ensure the product is level by adjusting the four feet at the bottom by turning left or right and align level with the work top.

Final check

1. Reconnect the product to the mains.
2. Open gas supply.
3. Check gas installations for secure fitting and tightness.
4. Ignite burners and check appearance of the flame.

i Flame must be blue and have a regular shape. If the flame is yellowish, check if the burner cap is seated securely or clean the burner.

Future Transportation

- Keep the product's original carton and transport the product in it. Follow the instructions on the carton. If you do not have the original carton, pack the product in bubble wrap or thick cardboard and tape it securely.
- To prevent the wire grill and tray inside the oven from damaging the oven door, place a strip of cardboard onto the inside of the oven door that lines up with the

position of the trays. Tape the oven door to the side walls.

- Secure the caps and pan supports with adhesive tape.
- Do not use the door or handle to lift or move the product.



Do not place any objects onto the product and move it in upright position.



Check the general appearance of your product for any damages that might have occurred during transportation.

4 Preparation

Tips for saving energy

The following information will help you to use your appliance in an ecological way, and to save energy:

- Use dark coloured or enamel coated cookware in the oven since the heat transmission will be better.
- While cooking your dishes, perform a preheating operation if it is advised in the user manual or cooking instructions.
- Do not open the door of the oven frequently during cooking.
- Try to cook more than one dish in the oven at the same time whenever possible. You can cook by placing two cooking vessels onto the wire shelf.
- Cook more than one dish one after another. The oven will already be hot.
- Defrost frozen dishes before cooking them.
- Use pots/pans with cover for cooking. If there is no cover, energy consumption may increase 4 times.
- Select the burner which is suitable for the bottom size of the pot to be used. Always select the correct pot size for your dishes. Larger pots require more energy.
- Information on energy efficiency according to EU 66/2014 can be found on the product fiche given with the product.

Initial use

First cleaning of the appliance

- i** The surface might get damaged by some detergents or cleaning materials.
Do not use aggressive detergents, cleaning powders/creams or any sharp objects during cleaning.
Do not use harsh abrasive cleaners or sharp metal scrapers to clean the oven door glass since they can scratch the surface, which may result in shattering of the glass.

1. Remove all packaging materials.
2. Wipe the surfaces of the appliance with a damp cloth or sponge and dry with a cloth.

Initial heating

Heat up the product for about 30 minutes and then switch it off. Thus, any production residues or layers will be burnt off and removed.



Hot surfaces cause burns!

Product may be hot when it is in use. Never touch the hot burners, inner sections of the oven, heaters and etc. Keep children away.
Always use heat resistant oven gloves when putting in or removing dishes into/from the hot oven.

Gas oven

1. Take all baking trays and the wire grill out of the oven.
2. Close the oven door.
3. Select the highest flame of the gas oven; see *How to use the gas oven, page 29*.
4. Operate the oven about 30 minutes.
5. Turn off your oven; See *How to use the gas oven, page 29*

Grill oven

1. Take all baking trays and the wire grill out of the oven.
2. Close the oven door.
3. Select the grill; see *How to operate the gas grill, page 30*.
4. Operate the oven about 30 minutes.



Smoke and smell may emit for a couple of hours during the initial operation. This is quite normal. Ensure that the room is well ventilated to remove the smoke and smell. Avoid directly inhaling the smoke and the smell that emits.

5 How to use the hob

General information about cooking



Never fill the pan with oil more than one third of it. Do not leave the hob unattended when heating oil.

Overheated oils bring risk of fire.

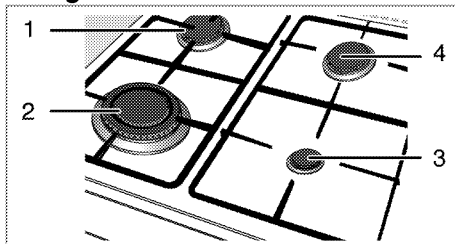
Never attempt to extinguish a possible fire with water! When oil catches fire, cover it with a fire blanket or damp cloth. Turn off the hob if it is safe to do so and call the fire department.

- Before frying foods, always dry them well and gently place into the hot oil. Ensure complete thawing of frozen foods before frying.
- Do not cover the vessel you use when heating oil.
- Place the pans and saucepans in a manner so that their handles are not over the hob to prevent heating of the handles. Do not place unbalanced and easily tilting vessels on the hob.
- Do not place empty vessels and saucepans on cooking zones that are switched on. They might get damaged.
- Operating a cooking zone without a vessel or saucepan on it will cause damage to the product. Turn off the cooking zones after the cooking is complete.
- As the surface of the product can be hot, do not put plastic and aluminum vessels on it. Such vessels should not be used to keep foods either.
- Use flat bottomed saucepans or vessels only.
- Put appropriate amount of food in saucepans and pans. Thus, you will not have to make any unnecessary cleaning by preventing the dishes from overflowing. Do not put covers of saucepans or pans on cooking zones. Place the saucepans in a manner so that they are centered on the cooking zone. When you want to move the saucepan onto another cooking zone, lift and place it onto the cooking zone you want instead of sliding it.

Gas cooking

- Size of the vessel and the flame must match each other. Adjust the gas flames so that they will not extend the bottom of the vessel and center the vessel on saucepan carrier.

Using the hobs



- 1 Normal burner 18-20 cm
- 2 Wok burner 22-24 cm
- 3 Auxiliary burner 12-18 cm
- 4 Normal burner 18-20 cm is list of advised diameter of pots to be used on related burners.



Do not use cooking pans beyond the dimension limits given above. Using larger pans causes risk of carbon monoxide poisoning, overheating of adjacent surfaces and control knobs. Using smaller pans causes your risk of being burned by the flame.



Parts or components of your product may be damaged due to high heat during cooking with similar accessories used for making embers and not recommended in the manual. Damage caused by such use is the responsibility of the user.

Large flame symbol indicates the highest cooking power and small flame symbol indicates the lowest cooking power. In turned off position (top), gas is not supplied to the burners.

Igniting the gas burners

1. Keep burner knob pressed.

2. Turn it counter clockwise to large flame symbol.

» Gas is ignited with the spark created.

3. Adjust it to the desired cooking power.

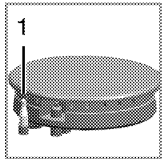
Turning off the gas burners

Turn the keep warm zone knob to off (upper) position.



In the event of the burner flames being accidentally extinguished, turn off the burner control and do not attempt to re-ignite the burner for at least 1 min.

Gas shut off safety system (in models with thermic component)



1. Gas shut off safety

As a counter measure against blow out due to fluid overflows at burners, safety mechanism trips and shuts off the gas.

- Push the knob inwards and turn it counter clockwise to ignite.
- After the gas ignites, keep the knob pressed for 3-5 seconds more to engage the safety system.

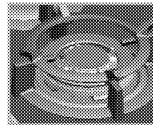
- If the gas does not ignite after you press and release the knob, repeat the same procedure by keeping the knob pressed for 15 seconds.



Release the button if the burner is not ignited within 15 seconds.

Wait at least 1 minute before trying again. There is the risk of gas accumulation and explosion!

Wok burner




Wok burners help you to cook faster. Wok, which is particularly used in Asian kitchen is a kind of deep and flat fry-pan made of sheet metal, which is used to cook minced vegetable and meat at strong flame in a short time.


Since meals are cooked at strong flame and in a very short time in such fry-pans that conduct the heat rapidly and evenly, the nutrition value of the food is preserved and vegetables remain crispy.

You can use wok burner for regular saucepans as well.

6 How to operate the oven

General information on baking, roasting and grilling

-  Hot surfaces cause burns! Product may be hot when it is in use. Never touch the hot burners, inner sections of the oven, heaters and etc. Keep children away. Always use heat resistant oven gloves when putting in or removing dishes into/from the hot oven.

-  Be careful when opening the oven door as steam may escape. Exiting steam can scald your hands, face and/or eyes.

Tips for baking

- Use non-sticky coated appropriate metal plates or aluminum vessels or heat-resistant silicone moulds.
- Make best use of the space on the rack.
- Place the baking mould in the middle of the shelf.
- Select the correct rack position before turning the oven or grill on. Do not change the rack position when the oven is hot.
- Keep the oven door closed.

Tips for roasting

- Treating whole chicken, turkey and large piece of meat with dressings such as lemon juice and black pepper before cooking will increase the cooking performance.
- It takes about 15 to 30 minutes longer to roast meat with bones when compared to roasting the same size of meat without bones.
- Each centimeter of meat thickness requires approximately 4 to 5 minutes of cooking time.
- Let meat rest in the oven for about 10 minutes after the cooking time is over. The juice is better distributed all over the roast and does not run out when the meat is cut.
- Fish should be placed on the middle or lower rack in a heat-resistant plate.

Tips for grilling

When meat, fish and poultry are grilled, they quickly get brown, have a nice crust and do not get dry. Flat pieces, meat skewers and sausages are particularly suited for grilling as are vegetables with high water content such as tomatoes and onions.

- Distribute the pieces to be grilled on the wire shelf or in the baking tray with wire shelf in such a way that the space covered does not exceed the size of the heater.
- Slide the wire shelf or baking tray with grill into the desired level in the oven. If you are grilling on the wire shelf, slide the baking tray to the lower rack to collect fats. The baking tray to be slid must be of a size that covers the whole grilling area. This tray might not be provided with the product. Add some water in the baking tray for easy cleaning.



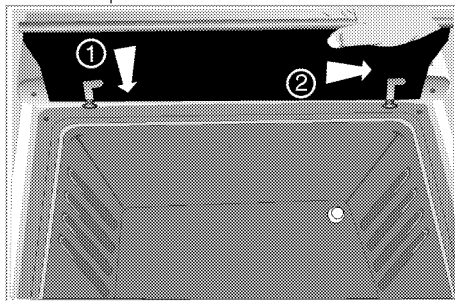
Foods that are not suitable for grilling carry the risk of fire. Only grill food which is suitable for intensive grilling heat.

Do not place the food too far in the back of the grill. This is the hottest area and fatty food may catch fire.

Install knob protection sheet.

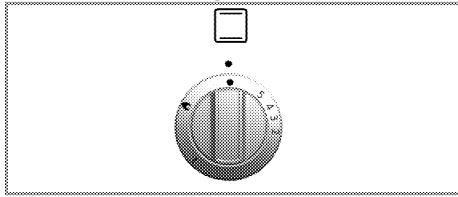
Knob protection sheet is used for grilling with the oven door open. Protects the control panel and buttons against heat and soiling.

1. Open the oven door and place the knob protection sheet onto the pins under the control panel.



» When knob protection sheet is installed, oven door remains open.

How to use the gas oven



The gas oven is operated by the gas oven control knob. In off position (top) the gas supply is Off.

Switch on the gas oven

The gas oven is ignited with the ignition button.

1. Open oven door.
2. Keep gas oven control knob pressed and turn it **counterclockwise**.
3. Press ignition button and release it again.
4. Keep the gas oven control knob pressed for 3 to 5 seconds.

» Repeat the process until the emanating gas is ignited.

5. Keep the gas oven control knob pressed for another 3 to 5 seconds. Be sure that gas has ignited and flame is present.
6. Select the desired baking power/ gas mark.
7. If there is no electricity; ignite the gas with the gas lighter from the ignition control hole.



There is the risk of gas compression and explosion!

Do not attempt to ignite the gas more than 15 seconds. If the burner is not ignited within 15 seconds, turn off the knob and wait for 1 minute.

Ventilate the room before reattempting to ignite the burner.

There is the risk of gas compression and explosion!

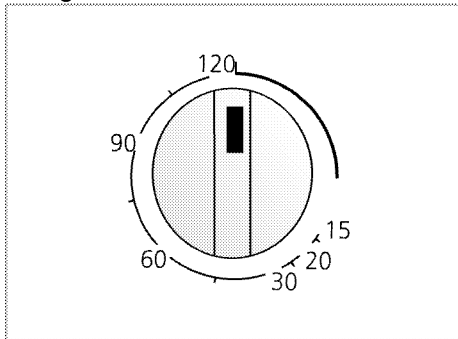
Switch off the gas oven

1. Turn gas oven control knob to off position (top).

Gas level temperature chart

Gas level	1	2	3	4	5
Temperature in °C	170	180	200	230	280

Using the clock as an alarm



The alarm clock has no influence on the functions of the oven. It is only used as a warning. For example, this is useful when you want to turn food in the oven at a certain point of time. Alarm clock will give a signal once the time you set is over.

Setting the alarm clock

1. Turn the Time Adjustment knob clockwise to determine for how long the alarm will sound.
2. The knob will turn counterclockwise at the end of the cooking time and the alarm will sound. Alarm clock does not turn off the oven.



Turn the Function knob counter clockwise to off position to turn off the oven.

Cooking times table

i 1st rack of the oven is the **bottom** rack.

i Maximum load capacity of oven tray: 4 kg (8.8 lb).

i The timings in this chart are meant as a guide. Timings may vary due to temperature of food, thickness, type and your own preference of cooking.

Stand dishes on a baking sheet to prevent spillages onto oven base and help keep oven clean.

Baking and roasting

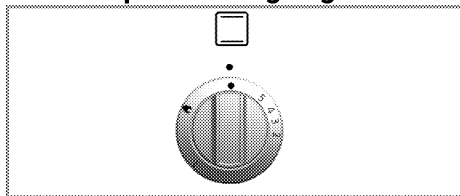
Food	Accessory to use	Preheating *	Insertion level	Control knob position	Cooking time
Apple pie	Round black metal dish with a diameter of 20 cm on wire grill***	10 min.	3	1	60...70 min.
Fruit tart	Round black metal dish with a diameter of 20 cm on wire grill***	10 min.	3	1	60...70 min.
Pie	Round black metal dish with a diameter of 20 cm on wire grill***	10 min.	3	1	60...70 min.
Cookies	Standard tray**	10 min.	4	1...2	30...40 min.
Pastry	Standard tray**	10 min.	3..4	1...2	40...50 min.
Cake	Cake mold on wire grill***	10 min.	3	1...2	60...70 min.
Biscuits	Standard tray**	10 min.	4	1...2	30...40 min.
Roast lamb	Standard tray**	10 min.	4..5	3	35...45 min.per 450 g + 30 min.
Roast Beef	Standard tray**	10 min.	3..4	3	100...130 min.per 450 g + 30 min.
Turkey	Standard tray**	10 min.	3	3	100...130 min.per 450 g + 30 min.
Poultry	Standard tray**	10 min.	3	1...2	100...130 min.per 450 g + 25 min.
Casseroles	Standard tray**	10 min.	4	1...2	90...120 min. [§]
Fish	Standard tray**	10 min.	3	1...2	45...55 min.
Macaroni	Standard tray**	10 min.	4	1...2	50...55 min.
Victoria sandwich	Standard tray**	10 min.	3	1	30...35 min.

* at control knob position 5 / [§] depending on quantity / [#] depending on size

** These accessories may not be supplied with the product.

*** These accessories are not supplied with the product. They are commercially available accessories.

How to operate the gas grill



Grill is operated with Grill control knob. In turned off position (top), gas is not supplied. Oven door must remain open while grilling.



Hot surfaces may cause burns! Keep children away from the product.

Oven door remains slightly inclined when opened full and thus, possible splashes to not reach you.

Switching on the grill

Gas grill is ignited with the ignition button.

1. Open the oven door.
2. Keep the knob pressed and turn it **clockwise** to the Grill symbol.
3. Press and release the ignition button.

- » Repeat the procedure until the gas is ignited.
4. Keep the knob pressed for 3 to 5 seconds more.
 5. Make sure that the grill is ignited.
 6. If the electricity is cut-off, ignite the grill burner with a lighter or match.



There is the risk of gas compression and explosion!

Do not attempt to ignite the gas more than 15 seconds. If the burner is not ignited within 15 seconds, turn off the knob and wait for 1 minute.

Ventilate the room before reattempting to ignite the burner.

There is the risk of gas compression and explosion!

Switching off the grill

1. Turn the Grill control knob to Off (upper) position.



Foods that are not suitable for grilling carry the risk of fire. Only grill food which is suitable for intensive grilling heat.

Do not place the food too far in the back of the grill. This is the hottest area and fatty food may catch fire.

Grilling with gas grill

Turnspit function

After selecting the Grill function, press Turn Spit button.

- After selecting the Grill function, skewer the meat or chicken onto the spit.
- Insert the turn spit into its slot in the rotation motor located at the rear wall of the oven.
Place the turn spit onto the spit frame.
- Place the frame to the relevant rack of the oven.
- Place a tray to one of the lower racks in order to collect the fats. Put some water into the tray for ease of cleaning.
- **Do not forget to remove the plastic handle of the turn spit.**
- When cooking completes, attach the plastic handle and remove your food from the oven.

Cooking times table



The timings in this chart are meant as a guide. Timings may vary due to temperature of food, thickness, type and your own preference of cooking.



1st rack of the oven is the **bottom** rack.

Food	Preparation/setting	Grilling time *
Toasting of bread products	3...10 min.
Small cuts of meat, sausages, bacon, etc.	15...20 min.
Chops, gammon steaks, chicken pieces, etc.	Chicken with wire rack in upturned position.	20...25 min.
Whole fish, fish fillets, fish fingers	Whole fish and fish fillets placed in the base of the grill pan.	10...20 min.
Fish in breadcrumbs	15...20 min.
Pre-cooked potato products	15...20 min.
Pizza	Placed in the base of the grill pan.	12...15 min.
Grilling/browning of food	Dish placed directly on the base of the grill compartment.	8...10 min.

* depending on size resp. thickness

7 Maintenance and care

General information

Service life of the product will extend and the possibility of problems will decrease if the product is cleaned at regular intervals.

! Disconnect the product from mains supply before starting maintenance and cleaning works.
There is the risk of electric shock!

! Allow the product to cool down before you clean it.
Hot surfaces may cause burns!

- Clean the product thoroughly after each use. In this way it will be possible to remove cooking residues more easily, thus avoiding these from burning the next time the appliance is used.
- No special cleaning agents are required for cleaning the product. Use warm water with washing liquid, a soft cloth or sponge to clean the product and wipe it with a dry cloth.
- Always ensure any excess liquid is thoroughly wiped off after cleaning and any spillage is immediately wiped dry.
- Do not use cleaning agents that contain acid or chloride to clean the stainless or inox surfaces and the handle. Use a soft cloth with a liquid detergent (not abrasive) to wipe those parts clean, paying attention to sweep in one direction.
- **(This feature is optional. It may not exist on your product.)**
Do not use solid metal scrapers or abrasive cleaning materials to clean the glass cover. Glass surface can get damaged.

i The surface might get damaged by some detergents or cleaning materials.

Do not use aggressive detergents, cleaning powders/creams or any sharp objects during cleaning.
Do not use harsh abrasive cleaners or sharp metal scrapers to clean the oven door glass since they can scratch the surface, which may result in shattering of the glass.

i Do not use steam cleaners to clean the appliance as this may cause an electric shock.

Cleaning the hob

Cleaning the burner

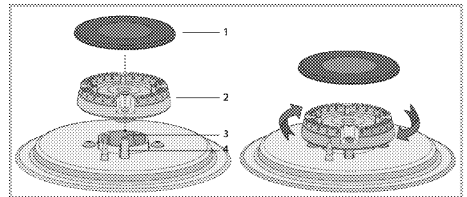
1. Remove the saucepan carriers from the hob.
2. Remove all removable parts of the burner and clean only by hand with sponge, some detergent and hot water.
3. Clean the non-removable parts of the burner with a wet cloth.
4. Clean the plug and thermal element (in models with ignition and thermal element) with a slightly moist cloth. Afterwards, dry with a clean cloth. Make sure that flame holes and plug are totally dry.

Otherwise, no spark occurs at the end of ignition.

5. When placing the pan supports, pay attention to place the pan supports so that the burners are centered.

Assembling the burner parts

After cleaning the burner, place the parts as shown below.



- 1 Burner cap
- 2 Burner head
- 3 Burner chamber
- 4 Spark plug (in products with igniter)

1. Place the burner head ensuring that it passes through the burner spark plug (4). Turn the burner head right and left to make sure that it is seated in the burner chamber.
2. Place the burner cap on the burner head.

Cleaning the control panel

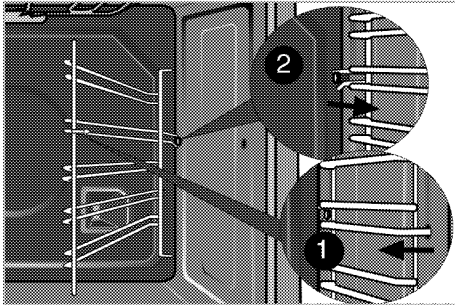
Clean the control panel and knobs with a damp cloth and wipe them dry.

- i** If your product is equipped with buttons/knobs do not remove the control buttons/knobs to clean the control panel.
Control panel may get damaged!

Cleaning the oven

To clean the side wall (Varies depending on the product model.) (This feature is optional. It may not exist on your product.)

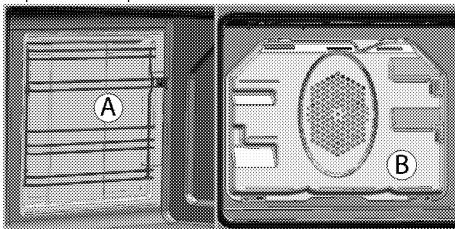
1. Remove the front section of the side rack by pulling it in the opposite direction of the side wall.
2. Remove the side rack completely by pulling it towards you.



Catalytic walls

(This feature is optional. It may not exist on your product.)

The inner side walls (A) and/or the rear wall (B) of your product may be coated with catalytic enamel. Catalytic walls have a light matte colour and a porous surface. Catalytic walls of the oven should not be cleaned. Thanks to their perforated structure, catalytic surfaces absorb grease and once the surface is filled with grease, they start to shine. In this case, it is recommended to replace the parts.



Clean oven door

To clean the oven door, use warm water with washing liquid, a soft cloth or sponge to clean the product and wipe it with a dry cloth.

Wipe the glass with vinegar and then rinse it against lime residues that may occur on the oven glass.

- i** Don't use any harsh abrasive cleaners or sharp metal scrapers for cleaning the oven door. They could scratch the surface and destroy the glass.

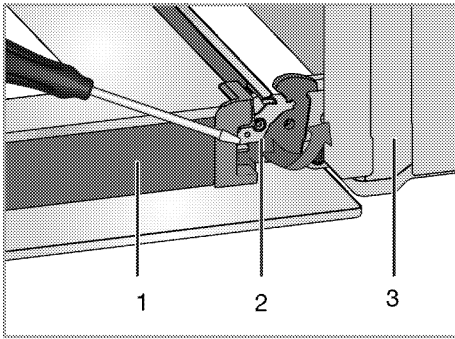
Cleaning the oven door

- i** Do not use harsh abrasive cleaners, metal scrapers, wire wool or bleach materials to clean the oven door and glass.

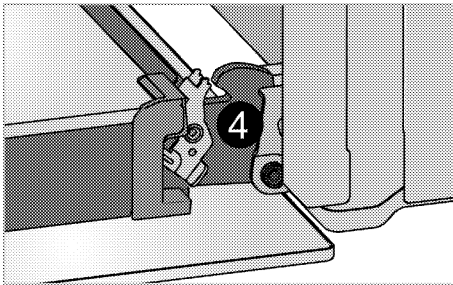
You can remove your oven door and door glasses to clean them. How to remove the doors and windows is explained in the sections "Removing the oven door" and "Removing the inner glasses of the door". After removing the door inner glasses, clean them using a dishwashing detergent, warm water and a soft cloth or sponge and dry them with a dry cloth. Wipe the glass with vinegar and then rinse it against lime residues that may occur on the oven glass.

Removing the oven door

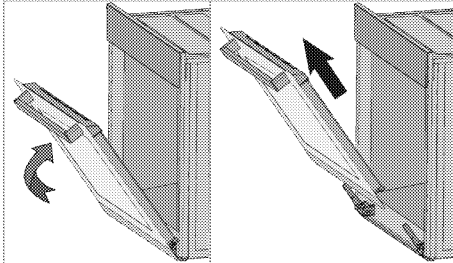
1. Open the front door (1).
2. Open the clips at the hinge housing (2) on the right and left hand sides of the front door by pressing them down as illustrated in the figure.



- 1 Door
- 2 Hinge lock(closed position)
- 3 Oven
- 4 Hinge lock(open position)



3. Move the front door to half-way.



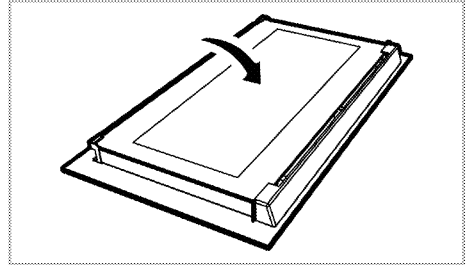
4. Remove the front door by pulling it upwards to release it from the right and left hinges.

i Steps carried out during removing process should be performed in reverse order to install the door. Do not forget to close the clips at the hinge housing when reinstalling the door.

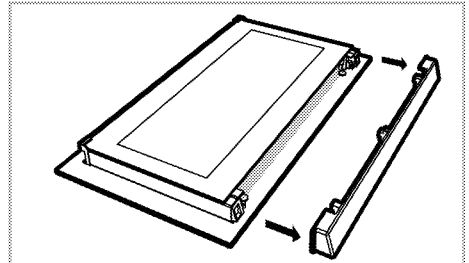
Removing the door inner glass
(This feature is optional. It may not exist on your product.)

The inner glass panel of the oven door can be removed for cleaning.

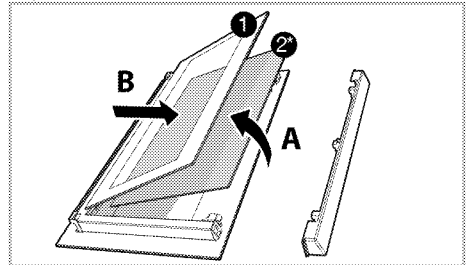
1. Open the oven door.



2. Pull towards yourself and remove the plastic part installed to upper section of the front door.



3. As illustrated in figure, raise the innermost glass panel (1) slightly in direction A and pull it out in direction B.



- 1 Innermost glass panel
- 2* Inner glass panel (This may not exist on your product.)
- 4. If your product is equipped with an inner glass panel; repeat the same procedure to remove the inner glass panel (2).
- 5. The first step to regroup the door is reinstalling inner glass panel (2). Place the chamfered corner of the glass panel so that it will rest in the chamfered corner of the plastic slot. (If your product is equipped with an inner glass panel). Inner

glass panel (2) must be installed into the plastic slot close the innermost glass panel (1).

- When installing the innermost glass panel (1), make sure that the printed side of the panel faces towards the inner glass panel. It is important to seat lower corner of innermost glass panel (1) into the lower plastic slot.
- Push the plastic part towards the frame until you hear a "click".

Replacing the oven lamp

! Before replacing the oven lamp, make sure that the product is disconnected from mains and cooled down in order to avoid the risk of an electrical shock.
Hot surfaces may cause burns!

i In this oven, an incandescent lamp with a power of less than 40 W, a height of less than 60 mm, a diameter of less than 30 mm or a halogen lamp with socket type G9, a power of less than 60 W is used. The lamps are suitable for operation at temperatures above 300 °C. Oven lamps can be obtained from Authorised Service Agents or technician with licence. This product contains a lamp of energy class G.

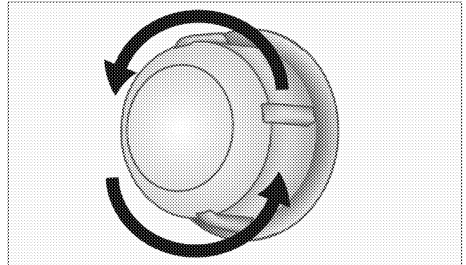
i Position of lamp might vary from the figure.

i The lamp used in this appliance is not suitable for household room illumination. The intended purpose of this lamp is to assist the user to see foodstuffs.

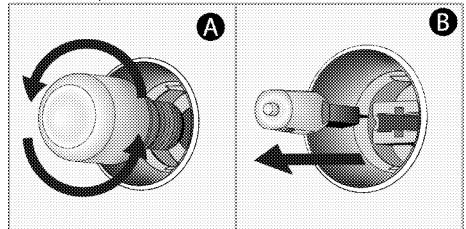
i The lamps used in this appliance have to withstand extreme physical conditions such as temperatures above 50 °C.

If your oven is equipped with a round lamp:

- Disconnect the product from mains.
- Turn the glass cover counter clockwise to remove it.



- If your oven lamp is of type (A) shown in the figure below, remove it by rotating as shown and replace it. If it is of type (B), pull and remove it as shown in the figure and replace it.



- Install the glass cover.

8 Troubleshooting

Oven emits steam when it is in use.

- It is normal that steam escapes during operation. >>> *This is not a fault.*

Product emits metal noises while heating and cooling.

- When the metal parts are heated, they may expand and cause noise. >>> *This is not a fault.*

There is no ignition spark.

- No current. >>> *Check fuses in the fuse box.*

There is no gas.

- Main gas valve is closed. >>> *Open gas valve.*
- Gas pipe is bent. >>> *Install gas pipe properly.*

Burners are not burning properly or at all.

- Burners are dirty. >>> *Clean burner components.*
- Burners are wet. >>> *Dry the burner components.*
- Burner cap is not mounted safely. >>> *Mount the burner cap properly.*
- Gas valve is closed. >>> *Open gas valve.*
- Gas cylinder is empty (when using LPG). >>> *Replace gas cylinder.*



Consult the Authorised Service Agent or technician with licence or the dealer where you have purchased the product if you can not remedy the trouble although you have implemented the instructions in this section. Never attempt to repair a defective product yourself.



Cuisinière
Manuel d'utilisation



FR



PAPIER ENTÈREMENT
RECYCLÉ ET RECYCLABLE

Avant de commencer, merci de bien vouloir lire ce manuel d'utilisation !

Chère cliente, cher client,

Nous vous remercions d'avoir porté votre choix sur un produit Beko. Nous espérons que vous tirerez le meilleur parti de votre produit, qui a été fabriqué dans des usines de pointe avec des matériaux de qualité. C'est pourquoi nous vous prions de lire attentivement le présent manuel et tous les autres documents connexes dans leur intégralité avant d'utiliser le produit et de les conserver. Si vous cédez l'appareil à une tierce personne, n'oubliez pas de lui fournir le Manuel d'utilisation. Respectez tous les avertissements et informations contenus dans le manuel d'utilisation.

Souvenez-vous que ce Manuel d'utilisation s'applique également à plusieurs autres modèles. Les différences entre les modèles seront identifiées dans le manuel.

Explication des symboles

Vous trouverez les symboles suivants dans ce Manuel d'utilisation :



Informations importantes ou astuces utiles d'utilisation.



Avertissement de situations dangereuses relatives à la santé et aux biens.



Avertissement de risque de choc électrique.



Avertissement de risque d'incendie.



Avertissement de surfaces brûlantes.



Arçelik A.Ş.
Karaağaç caddesi No:2-6
34445 Sütlüce/Istanbul/TURKEY
Made in TURKEY

1 Instructions importantes et mises en garde relatives à la sécurité et à l'environnement 4

Sécurité générale..... 4
 Sécurité lors de l'installation du gaz..... 5
 Sécurité électrique..... 7
 Sécurité du produit..... 8
 Utilisation prévue..... 10
 Sécurité des enfants 11
 Mise au rebut de l'ancien appareil..... 11
 Elimination des emballages 12

2 Généralités 13

Vue d'ensemble 13
 Contenu de l'emballage..... 14
 Caractéristiques techniques 15
 Tableau des injecteurs 16

3 Installation 18

Avant l'installation..... 18
 Installation et branchement 21
 Déplacement ultérieur 25

4 Préparation 26

Conseils pour faire des économies d'énergie 26
 Première utilisation 26

Premier nettoyage de l'appareil26
 Première cuisson..... 26

5 Utilisation de la table de cuisson 27

Généralités concernant la cuisson.....27
 Utilisation des tables de cuisson.....27

6 Utilisation du four 29

Informations générales concernant la pâtisserie, la rôtisserie et les grillades29
 Utilisation du four à gaz.....30
 Tableau des temps de cuisson31
 Utilisation du grill à gaz32
 Tableau des temps de cuisson.....33

7 Maintenance et entretien 34

Généralités34
 Nettoyage du brûleur34
 Nettoyage du bandeau de commande.....35
 Nettoyage du four.....35
 Nettoyage de la porte du four.....35
 Retrait de la vitre de la porte.....36
 Remplacement de l'ampoule du four.....37

8 Recherche et résolution des pannes 39

I Instructions importantes et mises en garde relatives à la sécurité et à l'environnement

Ce chapitre contient les instructions de sécurité qui vous aideront à éviter les risques de blessure corporelle ou de dégâts matériels. Le non respect de ces instructions entraînera l'annulation de toute garantie.

Sécurité générale

- Cet appareil est destiné à être utilisé dans des applications domestiques et analogues telles que : - les coins cuisines réservés au personnel des magasins, bureaux et autres environnements professionnels ; - les fermes et l'utilisation par les clients des hôtels, motels et autres environnements à caractère résidentiel ; - les environnements de type chambres d'hôtes ; - la restauration et autres applications similaires hormis la vente au détail.
- Cet appareil peut être utilisé par des enfants âgés d'au moins 8 ans et par des personnes ayant des capacités physiques, sensorielles ou mentales réduites ou dénuées d'expérience ou de connaissance, s'ils (si elles) sont correctement surveillé(e)s ou si des instructions relatives à l'utilisation de l'appareil en toute sécurité leur ont été données et si les risques encourus ont été appréhendés.
- Les enfants ne doivent pas jouer avec l'appareil. Le nettoyage et l'entretien ne doivent pas être effectués par des enfant sans surveillance.
- Si l'appareil est confié à une autre personne pour usage personnel ou vendu en seconde main, assurez-vous qu'il est toujours accompagné du manuel d'utilisation, des étiquettes, de tout autre document pertinent et des pièces.
- Ne jamais poser l'appareil sur un sol recouvert de moquette. Dans le cas contraire, l'absence de circulation d'air en-dessous de l'appareil entraînera la surchauffe des pièces électriques. Cette surchauffe causera des dommages à votre appareil.
- Les procédures d'installation et de réparation doivent être effectuées par des agents d'entretien qualifiés. Le fabricant ne sera pas respon-

sable des dommages causés à la suite d'une utilisation faite par des personnes non qualifiées, situation susceptible d'annuler aussi la garantie. Avant l'installation, lisez attentivement les instructions.

- Ne faites pas fonctionner l'appareil s'il est défectueux ou présente des dégâts visibles.
- Assurez-vous que les boutons de fonctionnement de l'appareil sont en position d'arrêt après chaque utilisation.

Sécurité lors de l'installation du gaz

- Toutes les opérations sur des équipements et des systèmes de gaz ne peuvent être réalisées que par des personnes habilitées et qualifiées.
- Avant l'installation, assurez-vous que les conditions de distribution locale (type et pression du gaz) sont compatibles aux réglages de l'appareil.
- Cet appareil n'est pas raccordé à un dispositif d'évacuation des produits de la combustion. Il doit être installé et raccordé confor-

mément aux règles d'installation en vigueur. Une attention particulière sera accordée aux dispositions applicables en matière de ventilation. *Avant l'installation, page 18.*

- **ATTENTION** : L'utilisation d'un appareil de cuisson au gaz conduit à la production de chaleur, d'humidité et de produits de combustion dans le local où il est installé. Veiller à assurer une bonne aération de la cuisine, notamment lors de l'utilisation de l'appareil : maintenir ouverts les orifices d'aération naturelle, ou installer un dispositif d'aération mécanique (hotte de ventilation mécanique). Une utilisation intensive et prolongée de l'appareil peut nécessiter une aération supplémentaire, par exemple en ouvrant une fenêtre, ou une aération plus efficace, par exemple en augmentant la puissance de la ventilation mécanique.
- Les appareils et les systèmes à gaz doivent être vérifiés régulièrement pour assurer leur fonctionnement correct. Le régulateur, le tuyau et son collier de serrage doivent être vérifiés ré-

gulièrement et remplacés à la fréquence recommandée par le fabricant ou lorsque nécessaire.

- Nettoyez régulièrement les brûleurs à gaz. Les flammes doivent être bleues et brûler de manière uniforme.
- Cet appareil doit être utilisé dans une pièce équipée d'un détecteur de monoxyde de carbone réglé et fonctionnant correctement. Assurez-vous que le détecteur de monoxyde de carbone fonctionne correctement et est entretenu fréquemment. Le détecteur de monoxyde de carbone doit être installé à 2 mètres au maximum de l'appareil.
- Une bonne combustion est nécessaire dans les appareils à gaz. En cas de combustion incomplète, du monoxyde de carbone (CO) pourrait être généré. Le monoxyde de carbone est incolore, inodore et très toxique, pouvant être mortel même à très petites doses.
- Demandez les informations concernant les numéros de téléphone d'urgence et les mesures de sécurité à prendre en cas d'odeur de

gaz auprès de votre fournisseur en gaz.

- Les conditions et les valeurs pour le réglage du gaz de ce produit sont fournies sur la plaque signalétique/de type.

Que faire si vous sentez une odeur de gaz

- N'utilisez pas de flamme nue et ne fumez pas. N'appuyez sur aucun bouton électrique (p. ex., bouton de l'ampoule, sonnette d'entrée, etc.) N'utilisez pas de téléphone fixe ou de téléphone portable. Risque d'explosion et d'intoxication !
- Ouvrez les portes et fenêtres.
- Fermez toutes les valves sur les appareils à gaz et les compteurs de gaz.
- Vérifiez le branchement de tous les tuyaux et raccords. Si vous sentez toujours une odeur de gaz, quittez l'appartement.
- Avertissez les voisins.
- Contactez les pompiers. Utilisez un téléphone en-dehors de votre domicile.
- Ne rentrez pas dans votre domicile tant qu'on ne vous a pas indiqué que cela pouvait se faire en toute sécurité.

Sécurité électrique

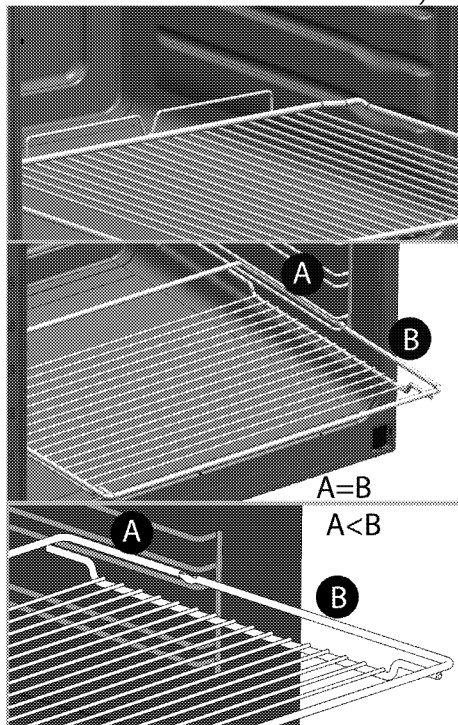
- Si le produit est en panne, ne l'utilisez pas, à moins qu'il ne soit réparé par un Agent d'entretien agréé. Vous risqueriez un choc électrique !
- Branchez l'appareil uniquement à une sortie/ligne avec mise à la terre ainsi que la tension et la protection spécifiées dans le chapitre « Spécifications techniques ». Faites installer la mise à la terre par un électricien qualifié lorsque vous utilisez l'appareil avec ou sans transformateur. Notre entreprise décline sa responsabilité par rapport à tout problème consécutif à la non mise à la terre de l'appareil suivant la réglementation locale en vigueur.
- Ne lavez jamais l'appareil en y versant de l'eau. Vous risqueriez un choc électrique !
- Débranchez l'appareil pendant les opérations d'installation, d'entretien, de nettoyage et de réparation.
- Si le câble d'alimentation est endommagé, il doit être remplacé par le fabricant, son service après-vente ou des personnes de qualification similaire afin d'éviter un danger.
- Installez l'appareil de sorte que l'on puisse le déconnecter complètement du réseau. La séparation doit être effectuée par une prise secteur ou un commutateur intégré à l'installation électrique fixe, suivant la réglementation en matière de construction.
- La surface arrière du four devient chaude pendant l'utilisation. Vérifiez que le raccordement de gaz/électrique n'est pas en contact avec la surface arrière, cela pourrait endommager les connexions.
- Ne pas coincer le câble d'alimentation entre la porte du four et le châssis et ne pas le faire passer sur des surfaces brûlantes. Dans le cas contraire, l'isolation du câble pourrait fondre et provoquer un incendie suite à un court-circuit.
- Toutes les opérations sur des équipements et des systèmes électriques ne peuvent être réalisées que par des personnes habilitées et qualifiées.
- En cas de dégâts, éteignez l'appareil et débranchez-le du secteur. Pour ce faire, coupez le fusible domestique.

- Vérifiez que la tension du fusible est compatible avec l'appareil.

Sécurité du produit

- **AVERTISSEMENT** : En cours d'utilisation, l'appareil et ses parties accessibles deviennent chauds. Il convient de veiller à ne pas toucher les éléments chauffants. Les enfants de moins de 8 ans doivent être maintenus à distance, à moins qu'ils ne soient sous une surveillance continue.
- Ne jamais utiliser l'appareil sous l'emprise de l'alcool ou de toute autre drogue.
- Prenez garde lorsque vous utilisez des boissons alcoolisées dans vos plats. L'alcool s'évapore à températures élevées et peut provoquer un incendie étant donné qu'il peut s'enflammer lorsqu'il entre en contact avec des surfaces chaudes.
- Assurez-vous qu'aucune substance inflammable ne soit placée à proximité de l'appareil étant donné que les côtés peuvent chauffer pendant son utilisation.
- Lors de son utilisation, l'appareil devient chaud. Il convient de faire attention à ne pas toucher les éléments chauffants situés à l'intérieur du four.
- Évitez d'obstruer les éventuelles sorties d'aération.
- Ne pas faire chauffer de boîtes de conserves et de bocaux en verre clos dans le four. La pression qui s'accumulerait dans la boîte/le bocal pourrait le faire éclater.
- Ne placez pas de plaques de cuisson, de plats ou de feuille d'aluminium directement sur le bas du four. L'accumulation de chaleur pourrait endommager le fond du four.
- Ne pas utiliser de produits d'entretien abrasifs ou de grattoirs métalliques durs pour nettoyer la porte en verre du four/ le verre des couvercles à charnières de la table de cuisson (le cas échéant), ce qui pourrait érafler la surface et entraîner l'éclatement du verre.
- N'utilisez pas de nettoyeurs à vapeur pour le nettoyage de l'appareil, car ceux-ci présentent un risque d'électrocution.
- (Varient en fonction du modèle de four.)
Placer correctement la grille et le lèchefrite sur les gradins

Faites coulisser la grille ou le lèchefrite entre 2 glissières de coulissement et vérifiez-en l'équilibre avant de placer des aliments dessus (Observez l'illustration ci-dessous).



- Ne pas utiliser l'appareil si la porte en verre est absente ou fendue.
- La poignée du four n'est pas un sèche-serviettes. Ne penchez pas de serviettes, gants ou produits textiles similaires lorsque la porte est ouverte avec la fonction gril.
- Utilisez toujours des gants de protection thermique

- lorsque vous placez ou retirez des plats du four chaud.
- Placez le papier de cuisson contenant les aliments dans la casserole ou sur l'accessoire du four (plateau, grille métallique, etc.) et insérez l'ensemble dans le four préchauffé. Retirez le surplus de papier de cuisson qui débordé de l'accessoire ou de la casserole afin d'éviter tout contact avec les éléments chauffants du four. N'utilisez jamais le papier de cuisson à une température de fonctionnement supérieure à la valeur recommandée pour un papier de cuisson. Évitez de placer le papier de cuisson directement sur la base du four.
- **AVERTISSEMENT** : Assurer que le câble d'alimentation de l'appareil est débranché ou que le coupe-circuit est désactivé avant de remplacer la lampe pour éviter tout risque de choc électrique.
- Ne refermez pas la plaque de recouvrement supérieure avant que les plaques chauffantes ou les brûleurs n'aient refroidi. Essuyez la plaque de recouvrement supérieure avant de l'ouvrir afin d'éviter tout

écoulement d'eau vers l'arrière ou l'intérieur du four.

- L'appareil ne doit pas être installé derrière une porte décorative, afin d'éviter une surchauffe.
- L'appareil doit être placé à même le sol. Il ne doit être placé ni sur un socle ni sur un piédestal.
- **AVERTISSEMENT** : Le fait de cuire les aliments contenant de l'huile ou des matières grasses sur une table de cuisson sans surveillance peut s'avérer dangereux, au point de provoquer un incendie. N'essayez JAMAIS d'éteindre le feu avec de l'eau. Coupez plutôt l'alimentation de l'appareil, puis couvrez la flamme avec un couvercle ou une couverture pare-flammes.
- **ATTENTION** : Le processus de cuisson doit être encadré. Les processus de cuisson de courte durée doivent être continuellement encadrés.
- **AVERTISSEMENT** : Danger d'incendie : ne rien conserver sur les surfaces de cuisson.

Pour que votre appareil soit fiable:

- Veillez à ce que la fiche soit bien branchée dans la prise

afin que des étincelles ne se produisent pas.

- Utilisez uniquement les câbles de rallonge d'origine, et veillez à ce qu'ils ne soient pas coupés ou autrement endommagés.
- Assurez-vous également que la prise ne contient pas de liquide ni de moisissure avant de brancher l'appareil.
- Veillez enfin à ce que votre connexion au gaz soit installée afin d'éviter toute fuite de gaz.

Utilisation prévue

- Cet appareil est conçu pour un usage domestique. L'utilisation commerciale est interdite.
- **ATTENTION** : Cet appareil sert uniquement à des fins de cuisson. Il ne doit pas être utilisé à d'autres fins, par exemple le chauffage du local.
- Évitez d'utiliser cet appareil pour réchauffer les assiettes sous le grill, accrocher des serviettes et des torchons, etc. sur les poignées, sécher et réchauffer quoi que ce soit.
- Le fabricant ne saurait être tenu responsable des dégâts causés par une utilisation ou une manipulation incorrecte.

- Le four peut être utilisé pour décongeler, cuire, rôtir et griller des aliments.
- Les pièces détachées d'origine sont disponibles pendant 10 ans, à compter de la date d'achat du produit .
- Ne rangez pas d'objets au dessus de l'appareil que les enfants pourraient atteindre.
- Sur la porte ouverte du four : Ne pas poser de charge lourde, s'assurer qu'aucun enfant ne puisse monter ni s'asseoir dessus.

Sécurité des enfants

- **ATTENTION** : Les parties accessibles peuvent s'échauffer pendant l'utilisation. Les enfants doivent être tenus à l'écart.
- Les matériaux d'emballage peuvent présenter un danger pour les enfants. Gardez les matériaux d'emballage hors de portée des enfants. Veuillez jeter les pièces de l'emballage en respectant les normes écologiques.
- Les appareils électriques et/ou à gaz sont dangereux pour les enfants. Tenez les enfants à l'écart de l'appareil lorsqu'il fonctionne et interdisez-leur de jouer avec.
- Un moyen de protection supplémentaire permettant d'éviter tout contact avec le four est disponible. Cette pièce doit être fixée en cas de présence probable d'enfants en bas âge.

En ce qui concerne les informations pour l'installation, la manipulation, l'entretien et la mise au rebut de l'appareil, référez-vous au paragraphe ci-après de la notice.

En ce qui concerne les informations détaillées sur la manière de nettoyer les surfaces en contact avec les aliments, référez-vous au paragraphe ci-après de la notice.

En ce qui concerne les informations pour la méthode de remplacement des lampes d'éclairage, référez-vous au paragraphe ci-après de la notice.

Mise au rebut de l'ancien appareil Conformité avec la directive DEEE et mise au rebut des déchets :



Ce produit est conforme à la directive DEEE (2012/19/UE) de l'Union européenne). Ce produit porte un symbole de classification pour la mise au rebut des équipements électriques et électroniques (DEEE).

Le présent produit a été fabriqué avec des pièces et du matériel de qualité supérieure

susceptibles d'être réutilisés et adaptés au recyclage. Par conséquent, nous vous conseillons de ne pas le mettre au rebut avec les ordures ménagères et d'autres déchets à la fin de sa durée de vie. Au contraire, rendez-vous dans un point de collecte pour le recyclage de tout matériel électrique et électronique. Veuillez vous rapprocher des autorités de votre localité pour plus d'informations concernant le point de collecte le plus proche.

Conformité avec la directive ROHS :

L'appareil que vous avez acheté est conforme à la directive ROHS (2011/65/UE) de

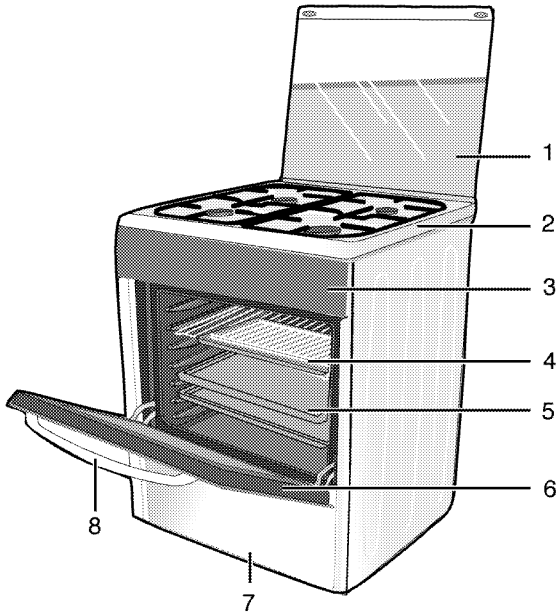
l'Union européenne. Il ne comporte pas les matériels dangereux et interdits mentionnés dans la directive.

Élimination des emballages

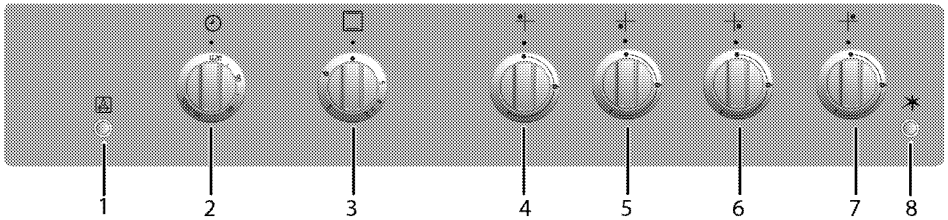
- Les emballages sont dangereux pour les enfants. Conservez les emballages en lieu sûr à l'écart des enfants. Les emballages de l'appareil sont fabriqués à partir de matériaux recyclés. Éliminez-les de manière appropriée et triez-les en fonction des instructions de recyclage des déchets. Ne les jetez pas avec les déchets domestiques normaux.

2 Généralités

Vue d'ensemble



- | | | | |
|---|---------------------|---|-------------------|
| 1 | Couvercle supérieur | 5 | Lèche-frite |
| 2 | Plaque d'âtre | 6 | Porte frontale |
| 3 | Bandeau de commande | 7 | Partie inférieure |
| 4 | Grille | 8 | Poignée |



- | | |
|---|-----------------------------------|
| 1 | Ampoule et Bouton du tournebroche |
| 2 | Minuteur mécanique |
| 3 | Manette du four |
| 4 | Brûleur normal Arrière gauche |
| 5 | Brûleur à wok Avant gauche |
| 6 | Brûleur auxiliaire Avant droit |
| 7 | Brûleur normal Arrière droit |
| 8 | Bouton d'allumage |

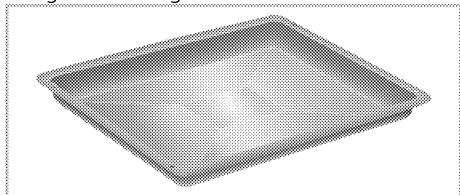
Contenu de l'emballage

i Les accessoires fournis peuvent varier selon le modèle de l'appareil. Tous les accessoires décrits dans le manuel d'utilisation peuvent ne pas faire partie de votre appareil.

1. Manuel de l'utilisateur

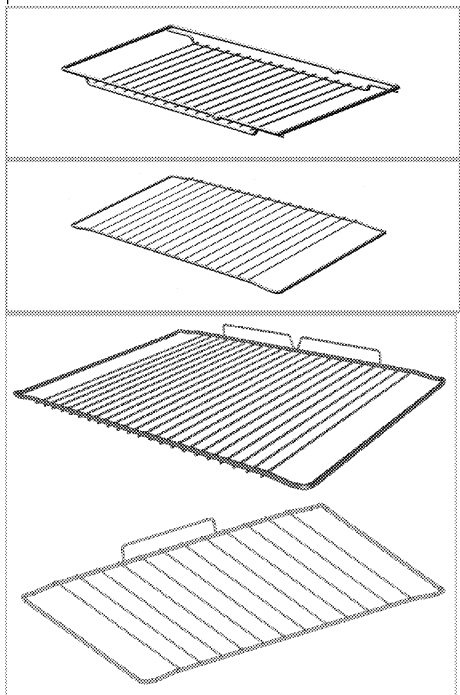
2. Plaque standard

Utilisée pour les pâtisseries, les aliments congelés et les grands rôtis.



3. Grille métallique

Utilisée pour les rôtis et pour les aliments à cuire, rôtir ou pour les ragoûts, elle se place dans le four à la hauteur souhaitée.

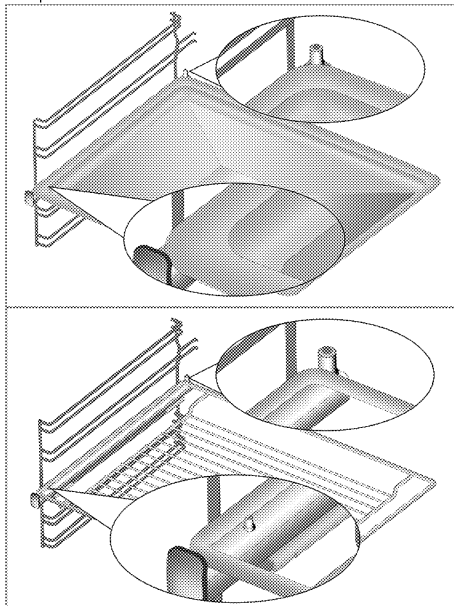


4. Placer correctement l'étagère métallique et la plaque sur les châssis télescopiques

(Cette fonction est optionnelle. Elle peut ne pas être disponible sur votre produit.)

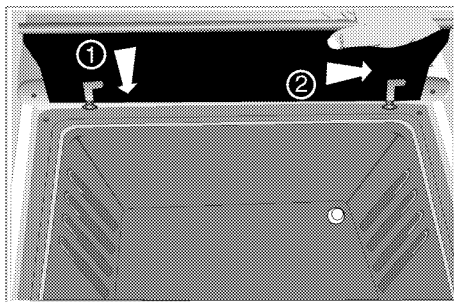
Les châssis télescopiques vous permettent d'installer et de retirer facilement les plaques et l'étagère métallique.

Lorsque vous utilisez la plaque et l'étagère métallique avec les châssis télescopiques, vérifiez que les goupilles situées à l'arrière du châssis télescopique reposent contre les bords de l'étagère métallique et du plateau.



5. Plaque de protection du bouton

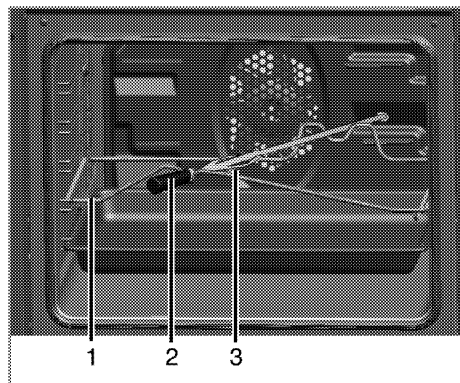
Utilisée pour griller avec la porte du four ouverte. Protège le bandeau de commande et les boutons de la chaleur et de la saleté.



6. Rôtissoire

Utilisée pour faire griller la viande, les volailles et le poisson de manière uniforme sur tous les côtés.

- Fixez la nourriture à griller sur le tournebroche avec les broches.
- Placez le châssis du tournebroche dans le four dans l'alignement du moteur d'entraînement du tournebroche.
- Insérez l'extrémité pointue du tournebroche dans le moteur d'entraînement du tournebroche et placez ce dernier sur son châssis.
- Retirez la poignée du tournebroche quand le grill est en route.



- 1 Châssis du tournebroche
 - 2 Poignée en plastique *
 - 3 Broche
- * (Varient en fonction du modèle de four.)

Caractéristiques techniques

GENERALITES	
Dimensions extérieures (hauteur/longueur/profondeur)	850 mm/600 mm/600 mm
Tension/fréquence	220-240 V ~ 50/60 Hz
Type de câble/section	min.H05VV-FG 3 x 1,5 mm ²
Catégorie de produit à gaz	Cat I 3B/P
Type de gaz installé / pression du produit	G 30/30 mbar
Consommation totale de gaz	10,8 kW (785 g/h)
Table de cuisson	
Brûleurs	
Arrière gauche	Brûleur normal
Puissance	2 kW (145 g/h)
Avant gauche	Brûleur à wok
Puissance	3,3 kW (240 g/h)
Avant droit	Brûleur auxiliaire
Puissance	1 kW (73 g/h)
Arrière droit	Brûleur normal
Puissance	2 kW (145 g/h)
FOUR/GRILL	
Four principal	Four à gaz
Ampoule interne	15 25 W
Consommation énergétique du grill	2,5 kW (182 g/h)
Consommation de gaz du four	2,5 kW (182 g/h)

i Les caractéristiques techniques peuvent changer sans avis préalable afin d'améliorer la qualité de l'appareil.

i Les illustrations comprises dans ce manuel sont schématiques et peuvent ne pas correspondre exactement à l'appareil.

i Les valeurs mentionnées sur les étiquettes de l'appareil ou dans la documentation qui l'accompagnent sont obtenues dans des conditions de laboratoire conformément aux normes correspondantes. En fonction des conditions de fonctionnement et de l'environnement de l'appareil, ces valeurs peuvent varier.

Tableau des injecteurs

Position de la zone de la table de cuisson	2 kW (145 g/h) Arrière gauche	3,3 kW (240 g/h) Avant gauche	1 kW (73 g/h) Avant droit	2 kW (145 g/h) Arrière droit
Type /pression de gaz				
G 30/28-30 mbar	72	96	50	72
Type /pression de gaz	Four à gaz		GRILL	
G 30/28-30 mbar	77		73	

Vuillet Vous pouvez vous procurer les injecteurs non fournis avec votre produit auprès du service après-vente de votre revendeur.

Pays catégories/types/pression de gaz

Vous pouvez trouver le type de gaz, la pression et la catégorie de gaz qui peuvent être utilisés pour le pays où le produit sera installé dans le tableau ci-dessous.

CODES PAYS	CATÉGORIE		TYPE DE GAZ ET PRESSION			
FR	Cat II	2E+3+	G20,20 mbar	G25,25 mbar	G30,28 30 mbar	G31,37 mbar
BE	Cat II	2E+3+	G20,20 mbar	G25,25 mbar	G30,28 30 mbar	G31,37 mbar
RU	Cat II	2H3B/P	G20,20 mbar	G30,30 mbar	G20,13 mbar	G20,10 mbar
CZ	Cat II	2H3+	G20,20 mbar	G30,28 30 mbar	G31,37 mbar	
NL	Cat II	2E(43.46 - 45.3 MJ/m3 (0°C))3B/P	G25.3,25 mbar	G20,20 mbar	G30,30 mbar	
	Cat II	2L3B/P	G25,25 mbar	G20,20 mbar	G30,30 mbar	
GB	Cat II	2H3+	G20,20 mbar	G30,28 30 mbar	G31,37 mbar	
IE	Cat II	2H3+	G20,20 mbar	G30,28 30 mbar	G31,37 mbar	
ES	Cat II	2H3+	G20,20 mbar	G30,28 30 mbar	G31,37 mbar	
PT	Cat II	2H3+	G20,20 mbar	G30,28 30 mbar	G31,37 mbar	
CH	Cat II	2H3+	G20,20 mbar	G30,28 30 mbar	G31,37 mbar	
IT	Cat II	2H3+	G20,20 mbar	G30,28 30 mbar	G31,37 mbar	
SK	Cat II	2H3+	G20,20 mbar	G30,28 30 mbar	G31,37 mbar	
CY	Cat II	2H3+	G20,20 mbar	G30,28 30 mbar	G31,37 mbar	
SI	Cat II	2H3+	G20,20 mbar	G30,28 30 mbar	G31,37 mbar	
GR	Cat II	2H3+	G20,20 mbar	G30,28 30 mbar	G31,37 mbar	
PL	Cat II	2ELS3B/P	G20,20 mbar	G2.350,13 mbar	G30,37 mbar	
	Cat II	2E3P(B/P)	G20,20 mbar	G30,37 mbar		

CODES PAYS	CATÉGORIE		TYPE DE GAZ ET PRESSION			
DE	Cat II	2E3B/P	G20,20 mbar	G30,50 mbar		
AT	Cat II	2H3B/P	G20,20 mbar	G30,50 mbar		
SE	Cat II	2H3B/P	G20,20 mbar	G30,30 mbar		
LT	Cat II	2H3B/P	G20,20 mbar	G30,30 mbar		
NO	Cat II	2H3B/P	G20,20 mbar	G30,30 mbar		
RO	Cat II	2H3B/P	G20,20 mbar	G30,30 mbar		
DK	Cat II	2H3B/P	G20,20 mbar	G30,30 mbar		
EE	Cat II	2H3B/P	G20,20 mbar	G30,30 mbar		
MA	Cat II	2H3B/P	G20,20 mbar	G30,30 mbar		
FI	Cat II	2H3B/P	G20,20 mbar	G30,30 mbar		
HR	Cat II	2H3B/P	G20,20 mbar	G30,30 mbar		
TR	Cat II	2H3B/P	G20,20 mbar	G30,30 mbar		
MT	Cat I	3B/P	G30,30 mbar			
IS	Cat I	2H	G20,20 mbar			
LV	Cat I	2H	G20,20 mbar			
LU	Cat I	2E	G20,20 mbar			
BG	Cat I	2H	G20,20 mbar			
	Cat I	3B/P	G30,30 mbar			
HU	Cat I	2H	G20,25 mbar			
	Cat I	3B/P	G30,30 mbar			

3 Installation

Le produit doit être installé par une personne qualifiée conformément à la réglementation en vigueur. Dans le cas contraire, la garantie n'est pas valable. Le fabricant se sera pas tenu pour responsable des dégâts consécutifs à des procédures réalisées par des personnes non autorisées et pourra annuler la garantie dans ce cas.

i La préparation de l'emplacement et l'installation du gaz et de l'électricité pour l'appareil sont sous la responsabilité du client.

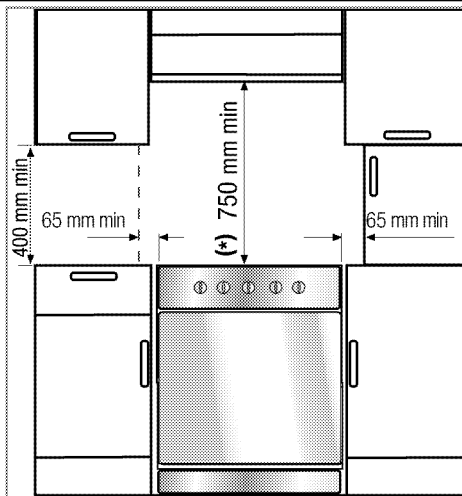
! Installez l'appareil conformément aux réglementations en matière de gaz et d'électricité en vigueur dans votre localité.

! Avant l'installation, regardez si l'appareil présente des défauts. Si tel est le cas, ne le faites pas installer. Les appareils endommagés présentent des risques pour votre sécurité.

Avant l'installation

Pour veiller à ce qu'une distance libre soit conservée sous l'appareil, nous vous recommandons de monter l'appareil sur une base solide et de veiller à ce que ses pieds ne transpercent pas le tapis, la moquette, ou tout autre revêtement de sol.

Le sol de la cuisine doit pouvoir supporter le poids de l'appareil plus le poids des instruments de cuisine et de la nourriture.



- Ce produit est un appareil de classe 1 selon la norme EN 30-1-1. En d'autres termes, il peut être placé avec le côté arrière et **un** côté contre les murs de la cuisine, des meubles ou des équipements de toute taille. Les meubles ou les équipements de cuisine situés sur **l'autre** côté doivent être de taille inférieure ou égale.
- Vous pouvez l'utiliser avec des meubles de part et d'autre, mais en prévoyant une distance minimale de 400 mm au-dessus du niveau de la plaque chauffante ; prévoyez un écart de 65 mm entre l'appareil et le mur, la cloison ou le placard.
- Laissez une distance minimum de 750 mm au-dessus de la surface de la table de cuisson.
- S'il faut encastrier une hotte au-dessus de la cuisinière, reportez-vous aux consignes du fabricant de la hotte concernant la hauteur d'installation. Si aucune taille n'est définie dans le manuel de la hotte, cette hauteur doit être d'au moins 650 mm.
- Tout meuble de cuisine situé à côté de l'appareil doit résister à la chaleur (100 °C min.).

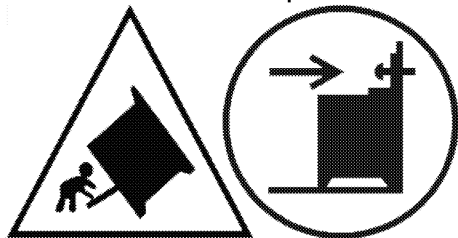
i Réservez au gaz de pétrole liquéfié

Évitez d'installer cet appareil dans une pièce en dessous du niveau du sol à moins que cette pièce soit ouverte au niveau du sol sur l'un des côtés au moins.

La mauvaise installation des appareils représente un danger et pourrait exposer le contrevenant à des poursuites judiciaires.



Avertissement - Risque de!



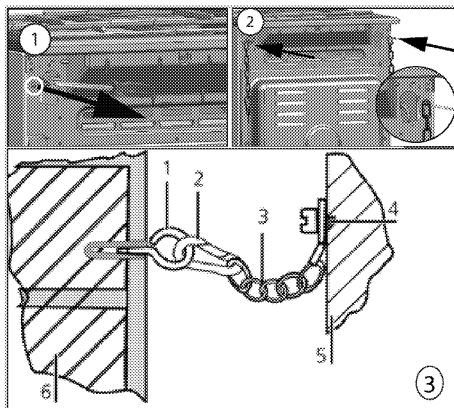
Avertissement : Ce système de stabilisation doit être installé pour empêcher l'appareil de basculer. Consultez les instructions pour l'installation.

Chaîne de sécurité

Si votre appareil présente 2 chaînes de sécurité;

L'appareil doit être sécurisé contre le basculement par les deux chaînes de sécurité fournies avec votre cuisinière.

Fixez le crochet (1) sur le mur de la cuisine (6) en utilisant la cheville appropriée (non fournie) et connectez la chaîne de sécurité (3) sur le crochet via le mécanisme de verrouillage (2).

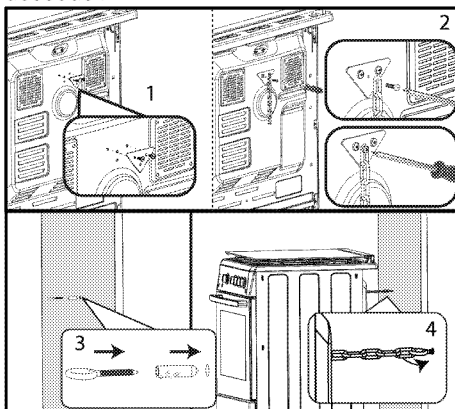


- 1 Stabilité du crochet
- 2 Mécanisme de verrouillage
- 3 Chaîne de sécurité
- 4 Fixez fermement la chaîne à la partie arrière de la cuisinière
- 5 Partie arrière de la cuisinière
- 6 Mur de la cuisine

Si votre appareil en présente une seule ;

L'appareil doit être sécurisé contre tout basculement par la chaîne de sécurité fournie avec votre four.

Pour sécuriser la chaîne de votre produit, suivez les étapes décrites dans l'image ci-dessous :



i La chaîne de stabilité doit être aussi courte que possible pour éviter que la cuisinière ne bascule vers l'avant et en diagonale. Grâce à cette précaution, la cuisinière ne s'incline pas sur le côté.

La chaîne de stabilité de la cuisinière conçue pour les plaques de cuisson, n'est pas fournie avec une encoche comme support.

Ventilation de la pièce

Toutes les pièces nécessitent une fenêtre ouvrable, ou équivalent ; certaines pièces nécessiteront également un orifice d'aération permanent. L'air de combustion est prélevé dans l'air de la pièce. Les gaz émis sont directement rejetés dans la pièce. Une bonne ventilation est essentielle au fonctionnement en toute sécurité de votre appareil.

Pièces avec des portes et/ou fenêtres qui s'ouvrent directement à l'extérieur

Les portes et/ou fenêtres qui s'ouvrent directement à l'extérieur doivent présenter une ouverture de ventilation totale aux dimensions spécifiées dans le tableau ci-dessous en fonction de la puissance aéroulque totale de l'appareil (la puissance aéroulque totale de l'appareil est mentionnée dans le tableau des spécifications techniques de ce manuel d'utilisation). Si les portes et/ou les fenêtres ne présentent pas d'ouverture de ventilation totale correspondant à la consommation totale de gaz tel que spécifié dans le tableau ci-dessous, il devrait certainement avoir une autre ouverture de ventilation fixe dans la pièce pour satisfaire aux exigences minimales de ventilation totale en matière de consommation totale de gaz de l'appareil. L'ouverture de ventilation fixe peut comprendre des ouvertures pour les briques creuses existantes, la dimension d'ouverture du conduit de la hotte d'extraction, etc.

Consommation totale de gaz (kW)	Ouverture de ventilation minimale (cm ²)
13 - 15,5	800
15,5 - 17	900
17 - 19	1 000
19 - 24	1 250

Pièces qui ne disposent pas de portes et/ou de fenêtres qui s'ouvrent directement à l'extérieur

Si la pièce dans laquelle l'appareil est installé ne dispose pas de porte ou de fenêtre qui s'ouvre directement à l'extérieur, vous devez absolument rechercher d'autres produits qui fournissent une ouverture de ventilation fixe et non ajustable, conforme aux exigences minimales de ventilation pour la consommation totale de gaz par l'appareil, tel qu'indiqué dans le tableau ci-dessus. En outre, vous devez scrupuleusement suivre la réglementation pertinente régissant les bâtiments.

Lorsque la pièce ou l'espace intérieur contient plus d'un appareil alimenté au gaz, vous devez prévoir une zone de ventilation supplémentaire, outre la recommandation du tableau ci-dessus. La dimension d'une zone de ventilation supplémentaire doit être conforme à la réglementation sur les autres appareils à gaz.

Assurez-vous également de prévoir un dégagement minimal de 10 mm sur le bord inférieur de la porte, qui s'ouvre à l'intérieur, dans la pièce dans laquelle le produit est installé. Vous devez vous assurer que les éléments tels que les tapis et autre revêtements de plancher, etc., n'obstruent pas le dégagement lorsque vous fermez la porte. Vous pouvez installer votre cuisinière dans une cuisine, une salle à manger ou une chambre-salon, mais pas dans une pièce contenant une colonne de douche ou une baignoire. La cuisinière ne doit pas être installée dans une chambre-salon de moins de 20 m³.

Évitez d'installer cet appareil dans une pièce en dessous du niveau du sol à moins que cette pièce soit ouverte au niveau du sol sur l'un des côtés au moins.

Consommation totale de gaz (kW)	Ouverture de ventilation minimale (cm ²)
0 - 2	100
2 - 3	120
3 - 4	175
4 - 6	300
6 - 8	400
8 - 10	500
10 - 11,5	600
11,5 - 13	700

Installation et branchement

L'appareil doit être installé et raccordé conformément aux réglementations d'installation en vigueur.

i N'installez pas l'appareil à proximité de réfrigérateurs ou congélateurs. La chaleur émise par l'appareil augmenterait la consommation d'énergie des dispositifs de refroidissement.

- Transportez l'appareil avec au moins deux personnes.
- L'unité doit être placée directement au sol. Elle ne doit pas être placée sur une base ou un socle.

i N'utilisez pas la porte et/ou la poignée pour porter ou déplacer l'appareil. Cela endommage la porte, la poignée et les charnières.

Raccordement électrique

Branchez l'appareil à une prise mise à la terre protégée par un disjoncteur miniature de capacité suffisante tel qu'indiqué dans le tableau « Caractéristiques techniques ».

Faites installer la mise à la terre par un électricien qualifié lors de l'utilisation de l'appareil avec ou sans transformateur.

Notre société ne sera pas tenue pour responsable des dégâts résultant de l'utilisation de l'appareil sans une installation de mise à la terre conforme aux réglementations locales en vigueur.

! L'appareil doit uniquement être raccordé à l'alimentation électrique par une personne autorisée et qualifiée. La période de garantie de l'appareil démarre uniquement après son installation correcte.

Le fabricant se sera pas tenu pour responsable des dégâts consécutifs à des procédures réalisées par des personnes non autorisées.

! Le câble d'alimentation ne doit pas être serré, plié ou pincé ou entrer en contact avec des pièces chaudes de l'appareil.

Un câble d'alimentation endommagé doit être remplacé par un électricien qualifié. Dans le cas contraire, il présente un risque d'électrocution, de court-circuit ou d'incendie !

Les valeurs de l'alimentation électrique doivent correspondre aux valeurs figurant sur la plaque signalétique de l'appareil. La plaque signalétique est visible lorsque la porte ou le couvercle inférieur sont ouverts, ou elle est située sur la paroi arrière de l'appareil, en fonction du type de l'appareil.

Le câble d'alimentation de l'appareil doit être conforme aux valeurs du tableau "Caractéristiques techniques".

! Avant d'effectuer tout travail sur l'installation électrique, l'appareil doit être débranché du réseau d'alimentation électrique. Vous risqueriez un choc électrique !

Raccordement du câble d'alimentation

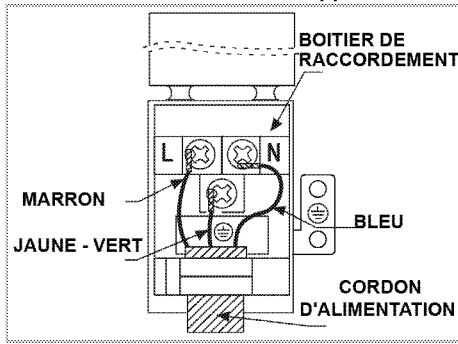
i Lors du câblage, vous devez respecter les réglementations nationales/locales en matière d'électricité. Par ailleurs, vous devez utiliser des prises et des fiches recommandées pour fours. Au cas où la limite de puissance de l'appareil est supérieure à la capacité de conduction du courant par la fiche et la prise, branchez l'appareil directement sur une installation électrique fixe sans utiliser de fiche ni de prise.

1. S'il n'est pas possible de débrancher tous les pôles de la source d'alimentation, une unité de déconnexion avec une ouverture minimale de 3 mm (fusibles, interrupteurs de sécurités, contacts) doit être connectée et tous les pôles de cette unité de déconnexion doivent être adjacents au produit (et non au-dessus), conformément aux directives IEE. Le non respect de ces instructions risque de causer des pro-


blèmes de fonctionnement et d'invalider la garantie du produit.

Une protection supplémentaire par un disjoncteur de courant résiduel est recommandée.

Si un câble est fourni avec l'appareil :



2. **Pour une connexion monophasée**, branchez comme indiqué ci-dessous:

- Câble marron = L (phase)
- Câble Bleu = N (Neutre)
- Câble vert/jaune = (E)  (Terre)

Connexion de gaz



Avertissements généraux

- Il existe un risque d'explosion, d'incendie et de toxicité si l'installation, la réparation ou le raccordement sont effectués par une personne ou un technicien non autorisé/non agréé/non qualifié.
- Avant de placer le produit, assurez-vous que les conditions de distribution locales (type et pression du gaz) et que le réglage du gaz du produit sont conformes à ces conditions. Les conditions de réglage des gaz et les valeurs du produit se trouvent sur les étiquettes (ou la plaque signalétique).
- Si le code de votre pays ne figure pas sur l'étiquette, suivez les instructions techniques locales de votre pays pour le raccordement et la conversion au gaz.
- Le produit ne peut être raccordé au système d'alimentation en gaz que par une personne ou un technicien autorisé/licencié/qualifié.
- Le fabricant ne peut être tenu responsable des dommages résultant de procédures

effectuées par une personne ou un technicien non autorisé/non licencié/non qualifié.

- Avant de commencer tout travail sur l'installation de gaz, coupez l'alimentation en gaz. Il y a un risque d'explosion !
- **Si vous devez utiliser votre produit ultérieurement avec un autre type de gaz, vous devez consulter la personne ou le technicien autorisé/licencié/qualifié pour la procédure de conversion correspondante.**
- Veillez à bien vérifier l'étanchéité du raccord de gaz après chaque utilisation. Le fabricant ne peut être tenu responsable de tout dommage pouvant survenir en raison d'une fuite de gaz résultant d'un raccordement au gaz ou d'une conversion effectués par des personnes non autorisées/non agréées.



Risques d'incendie :

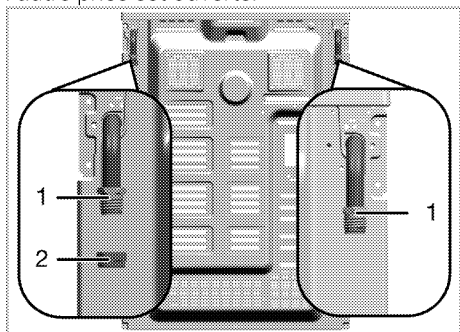
Si vous n'effectuez pas le raccordement conformément aux instructions ci-dessous, il y aura un risque de fuite de gaz et d'incendie. **Notre société ne saurait être tenue responsable des dommages qui en résulteraient.**

- Le raccordement au gaz doit être effectué par une personne ou un technicien autorisé/licencié/qualifié uniquement.
- Assurez-vous que le tuyau de gaz à utiliser dans le raccordement au gaz est conforme aux normes locales en la matière.
- Le tuyau flexible de gaz doit être raccordé de manière à ne pas entrer en contact avec les pièces mobiles et les surfaces chaudes (indiquées sur les figures ci-dessous) qui l'entourent et à ne pas être coincé lorsque les pièces mobiles se déplacent. (par exemple, les tiroirs). En outre, il ne doit pas être placé dans des espaces susceptibles de provoquer sa compression.
- Ne déplacez pas le produit dont le raccordement au gaz est terminé. S'il est déplacé, il peut y avoir un risque de fuite de gaz.
- Le tuyau de gaz doit être raccordé en effectuant des virages à grand angle pour éviter toute possibilité de rupture et de pliage pendant le raccordement.

- Le tuyau de gaz ne doit pas être écrasé, plié, pincé, touché par des coins pointus ou entrer en contact avec des parties chaudes du produit et des ustensiles de cuisine sur le produit. Il existe un risque d'explosion dû à l'endommagement du tuyau de gaz !
- Le tuyau de gaz ne doit pas entrer en contact avec des pièces qui peuvent atteindre une température de 70 C au-dessus de la température ambiante.
- Une clé à molette doit être utilisée pour le raccordement et la conversion du gaz.

Choix du côté du raccordement au gaz
Si votre appareil dispose de deux sorties de gaz ; le sens de raccordement peut être modifié en fonction de la direction de la source principale de gaz.

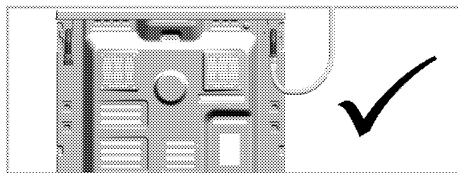
- L'une des deux sorties est scellée à l'aide d'un bouchon aveugle. L'extrémité de l'autre prise est ouverte.



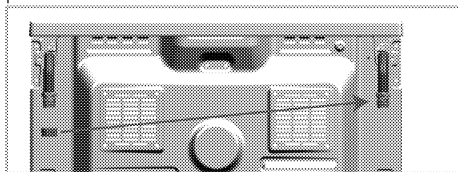
- 1 Sortie du tuyau à gaz
 2 Prise pour le raccord

(La prise à laquelle le bouchon aveugle est fixé peut varier selon le modèle du produit.)

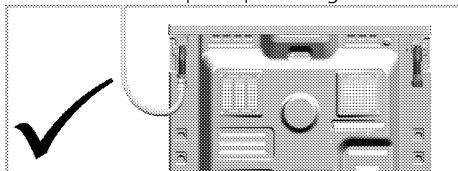
- Avant de connecter le gaz, assurez-vous que la bouteille de votre alimentation principale et la sortie du tuyau de gaz de l'appareil à raccorder au gaz se trouvent du même côté.
- Si la vanne vanne principale de gaz et la sortie de tuyau de gaz à extrémité ouverte se trouvent du même côté, effectuez le raccordement de gaz comme indiqué dans la figure ci-dessous.



- Si la vanne principale de gaz naturel et la sortie du tuyau de gaz sont scellées par la face du bouchon aveugle et se trouvent du même côté, retirez le bouchon aveugle de la sortie du tuyau de gaz à l'aide de deux clés. Fermez la sortie du tuyau de gaz à l'aide de ce bouchon aveugle à l'endroit où le raccordement du gaz ne sera pas effectué avec un nouveau joint d'étanchéité (non utilisé).
- Vous devez vous assurer que le joint d'étanchéité est correctement mis en place.

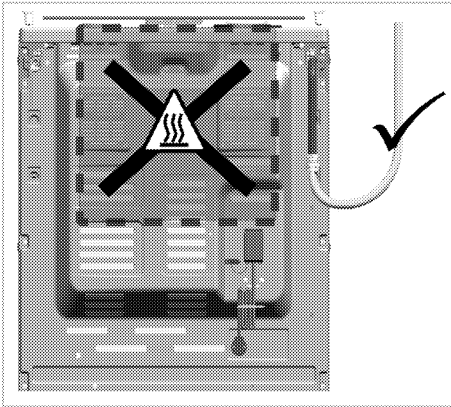


- Effectuez le raccordement de gaz comme indiqué sur la figure ci-dessous sur la sortie du tuyau de gaz près de la bouteille de l'alimentation principale de gaz..

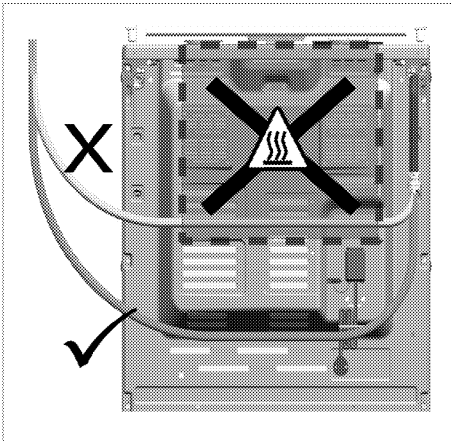


Si votre appareil ne dispose que d'une seule sortie de gaz ;

- Avant de connecter le gaz, assurez-vous que la bouteille de votre alimentation principale et la sortie du tuyau de gaz de l'appareil à raccorder au gaz se trouvent du même côté.



- Si la sortie du tuyau de gaz et l'alimentation principale de gaz ne sont pas du même côté, assurez-vous que le tuyau ne traverse pas la zone chaude lors du raccordement.



Pièces pour le raccordement au gaz

Les visuels des pièces et outillages éventuellement nécessaires au raccordement gaz sont donnés ci-dessous. Selon le modèle, ces pièces peuvent ne pas être fournies avec le produit. Les pièces de raccordement au gaz à utiliser peuvent varier selon le type de gaz et la réglementation du pays.


	Pièce de raccordement pour gaz liquide (G30, G31)
	Pièce de raccordement de la sortie de gaz
	Bouchon aveugle

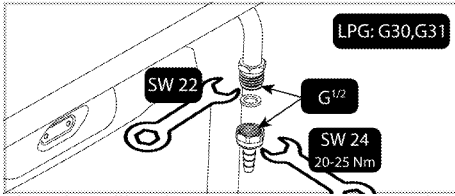
Réalisation du raccordement au gaz - LPG

- Votre produit doit être raccordé de manière à ce qu'il soit proche du raccord de gaz pour éviter toute fuite de gaz.
- Avant d'effectuer votre raccordement au gaz, prévoyez un tuyau de gaz en plastique et un collier de fixation approprié. Le diamètre intérieur du tuyau de gaz en plastique doit être de 10 mm et sa longueur ne doit pas dépasser 150 cm. Le tuyau en plastique doit être étanche et inspectable.
- Les appareils et systèmes à gaz doivent être régulièrement vérifiés pour s'assurer de leur bon fonctionnement. Le détendeur, le tuyau et son collier doivent être vérifiés régulièrement et remplacés dans les délais recommandés par son fabricant ou lorsque cela est nécessaire.
- Un nouveau joint d'étanchéité doit être utilisé lors de la réalisation du raccordement au gaz.
- Le raccordement au gaz doit être effectué par un tuyau de gaz ou un raccord fixe.

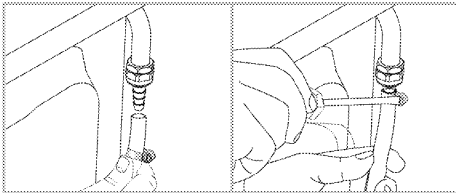
Connexion avec le tuyau de gaz

1. Placez le nouveau joint dans la pièce de raccordement pour le gaz liquide et assurez-vous que le joint est correctement placé.
2. Fixez la sortie de gaz du produit avec une clé de 22 mm, raccordez la pièce de raccordement à la sortie de gaz du produit avec une clé de 24 mm et serrez fermement.

	Joint de fuite
---	----------------



- Fixez le collier de montage à une extrémité du tuyau de gaz. Ramollissez l'extrémité du tuyau de gaz auquel vous avez fixé le collier de serrage en le plaçant dans de l'eau bouillante pendant une minute.
- Insérez le tuyau de gaz ramolli jusqu'au bout dans la pièce de raccordement. Serrez fermement le collier de serrage à l'aide d'un tournevis.



- Vous devez vérifier l'étanchéité de la pièce de raccordement après le raccordement.

Contrôle des fuites au point de connexion

- Veillez à ce que tous les boutons de l'appareil soient éteints. Veillez à ce que l'alimentation en gaz soit ouverte. Préparez une mousse savonneuse et appliquez-la sur le point de connexion du tuyau pour contrôler les fuites de gaz.
- La partie savonneuse mousse en cas de fuite de gaz. Dans ce cas, inspectez une nouvelle fois la connexion de gaz.
- Si votre appareil dispose de deux sorties de tuyau de gaz**, assurez-vous que la sortie de gaz inutilisée est scellée à l'aide d'une prise pour le raccord. Préparez de la mousse savonneuse et appliquez-la sur le point de raccordement de la prise pour le raccord pour vérifier l'absence de fuites de gaz. Des bulles apparaîtront s'il y a une fuite de gaz. Dans ce cas, vérifiez à nouveau le raccordement de la prise pour le raccord.
- À la place du savon, vous pouvez utiliser des sprays disponibles dans le commerce pour vérifier les fuites de gaz.
- S'il y a une fuite de gaz, coupez l'alimentation en gaz et ventilez la pièce.

i N'utilisez jamais d'allumette ou de briquet pour effectuer le contrôle des fuites.

- Poussez le produit vers le mur de la cuisine.
- Réglages des pieds de la cuisinière**
Les vibrations pendant l'usage peuvent faire bouger les plats de cuisson. Cette situation dangereuse peut être évitée si le produit est équilibré et stable. Pour votre sécurité; veuillez vérifier que le produit est stable en réglant les quatre pieds en bas en les tournant vers la gauche et la droite et en les alignant avec le haut.

Vérification finale

- Rebranchez le produit au secteur.
- Ouvrez le robinet de gaz.
- Vérifiez les raccords de l'installation de gaz.
- Allumez les brûleurs et vérifiez l'aspect de la flamme.

i La flamme doit être bleue et avoir une forme régulière. Si elle est jaunâtre, assurez-vous que le bouchon du brûleur est correctement installé et nettoyez le brûleur.

Déplacement ultérieur

- Conservez le carton d'origine de l'appareil et utilisez-le pour déplacer le produit. Suivez les instructions figurant sur le carton. Si vous n'avez plus le carton original, emballez l'appareil dans du film à bulles ou du carton épais avec du ruban adhésif pour maintenir le tout.
- Afin d'éviter que la grille et la lèchefrite situés à l'intérieur du four n'endommagent la porte, placez une bande de carton sur la contre-porte à hauteur des plaques. Attachez la porte du four aux parois latérales à l'aide de ruban adhésif.
- Attachez les couvercles et grilles de support avec du ruban adhésif.
- N'utilisez pas la porte ou la poignée pour soulever ou déplacer l'appareil.

i Ne placez aucun objet sur l'appareil et déplacez-le bien à plat.

i Inspectez l'aspect général de l'appareil pour déceler les dégâts potentiellement dus au transport.

4 Préparation

Conseils pour faire des économies d'énergie

Les conseils suivants vous permettront d'utiliser votre appareil de façon écologique et d'économiser ainsi de l'énergie :

- Utilisez des ustensiles de cuisine recouverts d'émail car la transmission de chaleur sera améliorée.
- Lorsque vous cuisinez, lancez un préchauffage si cela est conseillé dans le manuel d'utilisation ou la description de la recette.
- N'ouvrez pas la porte du four trop souvent pendant la cuisson.
- Essayez de faire cuire plusieurs plats simultanément dans le four lorsque vous le pouvez. Vous pouvez placer deux plats de cuisson sur le châssis métallique.
- Faites cuire plusieurs plats successivement. Le four sera déjà à température.
- Décongelez les plats surgelés avant de les cuire.
- Utilisez des récipients munis de couvercles. Sans couvercle, la consommation d'énergie peut être 4 fois plus importante.
- Sélectionnez le brûleur le mieux adapté à la taille du bas de la casserole utilisée. Sélectionnez toujours la casserole à la taille la plus appropriée pour vos plats. Les grandes casseroles nécessitent davantage d'énergie.
- Des informations sur l'efficacité énergétique selon EU 66/2014 peuvent être trouvées sur la fiche produit fournie avec le produit.

Première utilisation

Premier nettoyage de l'appareil



La surface pourrait être endommagée par certains détergents ou produits de nettoyage.

N'utilisez pas de détergents agressifs, de poudre/crèmes de nettoyage ou d'objets tranchants pour le nettoyage.

1. Retirez tous les matériaux d'emballage.
2. Essuyez les surfaces de l'appareil à l'aide d'un chiffon humide ou d'une éponge et terminez avec un chiffon sec.

Première cuisson

Faites chauffer l'appareil pendant 30 minutes puis éteignez-le. De cette manière, tous les résidus de production ou les couches de conservation seront brûlés et supprimés.



Les surfaces chaudes peuvent provoquer des brûlures !

L'appareil peut être très chaud pendant son utilisation. Ne touchez jamais les brûleurs, sections internes du four, résistances, etc. lorsqu'ils sont chauds. Tenez les enfants à l'écart.

Utilisez toujours des gants de protection thermique lorsque vous placez ou retirez des plats du four chaud.

Four à gaz

1. Sortez toutes les plaques de cuisson et la grille métallique du four.
2. Fermez la porte du four.
3. Sélectionnez la flamme la plus forte pour le four à gaz ; voir *Utilisation du four à gaz*, page 30.
4. Faites fonctionner le four environ 30 minutes.
5. Eteignez votre four ; voir *Utilisation du four à gaz*, page 30

Four à grill

1. Sortez toutes les plaques de cuisson et la grille métallique du four.
2. Fermez la porte du four.
3. Sélectionnez le grill ; voir *Utilisation du grill à gaz*, page 32.
4. Faites fonctionner le four environ 30 minutes.



Une odeur et de la fumée peuvent se dégager pendant quelques heures au cours de la première utilisation. Ce phénomène est tout à fait normal. Assurez-vous que la pièce est bien aérée pour évacuer l'odeur et la fumée. Évitez de respirer la fumée et l'odeur qui se dégagent.

5 Utilisation de la table de cuisson

Généralités concernant la cuisson



Ne remplissez jamais la poêle à plus d'un tiers. Ne laissez pas la table de cuisson sans surveillance lorsque vous chauffez de l'huile. Une huile surchauffée expose au risque d'incendie. **Ne tentez jamais d'éteindre un éventuel incendie avec de l'eau !** Lorsque l'huile s'enflamme, couvrez-la avec une couverture pare-flammes ou un chiffon humide. Éteignez la table de cuisson si cela ne pose aucun risque et appelez les sapeurs-pompiers.

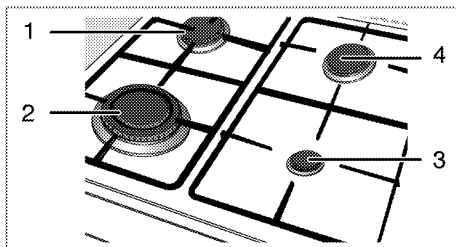
- Avant de faire frire des aliments, séchez-les toujours avant de les tremper dans l'huile chaude. Assurez-vous que les aliments surgelés soient bien décongelés avant de les faire frire.
- Ne couvrez pas le récipient lorsque vous faites chauffer de l'huile.
- Disposez les poêles et casseroles de manière à ce que leur poignée ne se trouve pas au-dessus de la table de cuisson afin d'éviter de faire chauffer les poignées. Ne placez pas de récipients instables et pouvant se renverser facilement sur la table de cuisson.
- Ne placez pas de récipients et de casseroles vides sur les foyers qui sont allumés. Ils pourraient être endommagés.
- Faire chauffer un foyer en l'absence d'un récipient ou d'une casserole peut entraîner des dommages pour l'appareil. Arrêtez les foyers de cuisson une fois la cuisson terminée.
- La surface de l'appareil peut être brûlante, évitez donc de poser des récipients en plastique ou en aluminium dessus. Évitez également d'utiliser ce type de récipients pour y conserver de la nourriture.
- N'utilisez que des casseroles à fond plat.
- Placez la quantité de nourriture appropriée dans les casseroles utilisées. Ainsi, vous n'aurez pas à effectuer un nettoyage superflu en évitant que vos plats ne débordent.
Ne posez pas les couvercles de vos poêles et casseroles sur les foyers de cuisson.

Placez les casseroles de manière à ce qu'elles soient centrées sur le foyer de cuisson. Lorsque vous voulez déplacer la casserole sur un autre foyer de cuisson, soulevez-la et placez-la sur le foyer de cuisson souhaité au lieu de la faire glisser.

Cuisson au gaz

- La taille du récipient et celle de la flamme doivent correspondre. Réglez les flammes du gaz afin qu'elles ne dépassent pas du fond du récipient et centrez ce dernier sur la grille.


Utilisation des tables de cuisson



- 1 Brûleur normal 18-20 cm
- 2 Brûleur à wok 22-24 cm
- 3 Brûleur auxiliaire 12-18 cm
- 4 Brûleur normal 18-20 cm (Les dimensions indiquées représentent les diamètres recommandés de poêles et casseroles à utiliser.)



Évitez d'utiliser les ustensiles de cuisine au-delà des dimensions maximales indiquées ci-dessus. L'utilisation des grandes casseroles au monoxyde de carbone, de surchauffe des surfaces adjacentes et des boutons de commande. L'utilisation des petites casseroles représente un risque de brûlure par la flamme.

 Des pièces ou des composants de votre produit peuvent être endommagés en raison de la chaleur élevée pendant la cuisson avec des accessoires similaires utilisés pour la fabrication de braises et non recommandés dans le manuel. Les dommages causés par une telle utilisation sont à la charge de l'utilisateur.


Le symbole représentant une grande flamme indique la puissance de cuisson la plus élevée et le symbole représentant une petite flamme indique la puissance de cuisson la moins élevée. En position OFF (indicateur vers le haut), les brûleurs ne sont pas alimentés en gaz.

Allumage des brûleurs à gaz

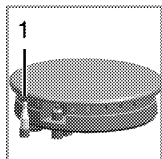
1. Maintenez le bouton du brûleur approprié enfoncé.
2. Tournez-le dans le sens anti-horaire vers le symbole représentant la grande flamme.
» Le gaz s'allume grâce à l'étincelle ainsi générée.
3. Réglez la puissance de cuisson souhaitée.

Arrêt des brûleurs à gaz.

Tournez le bouton de la zone garde-à-chaud sur la position OFF (indicateur vers le haut).

 En cas d'extinction accidentelle des flammes du brûleur, éteignez la commande du brûleur et n'essayez pas de rallumer le brûleur pendant au moins 1 min.


Système de coupure de sécurité du gaz (sur les modèles dotés d'un composant thermique)



1. Sécurité de coupure du gaz

Un mécanisme de sécurité fait office de contre-mesure et se déclenche pour couper l'arrivée de gaz en cas de débordement de liquide sur les brûleurs.

- Appuyez sur le bouton et tournez-le dans le sens anti-horaire pour allumer le gaz.
- Maintenez ensuite le bouton enfoncé pendant 3 à 5 secondes supplémentaires pour activer le système de sécurité.
- Si le gaz ne s'allume pas après avoir appuyé et relâché le bouton, répétez l'opération en maintenant le bouton enfoncé pendant une quinzaine de secondes.

 Relâchez le bouton si le brûleur à gaz ne s'allume pas après 15 secondes. Patientez au moins 1 minute avant de réessayer. Vous risqueriez une accumulation de gaz et une explosion !

Brûleur à wok



Les brûleurs à wok vous permettent de cuire vos aliments plus rapidement. Le wok s'apparente à une poêle à frire profonde et plate en métal. Il est surtout utilisé dans la cuisine asiatique pour cuire des légumes et de la viande émincés à feu vif en très peu de temps.

Dans ce type de poêle à frire qui conduit la chaleur rapidement et de manière uniforme, les plats sont cuits à feu vif en très peu de temps, la valeur nutritionnelle des aliments est ainsi préservée et les légumes restent croquants.

Vous pouvez également utiliser le brûleur à wok pour vos casseroles normales.

6 Utilisation du four

Informations générales concernant la pâtisserie, la rôtisserie et les grillades



Les surfaces chaudes peuvent provoquer des brûlures !

L'appareil peut être très chaud pendant son utilisation. Ne touchez jamais les brûleurs, sections internes du four, résistances, etc. lorsqu'ils sont chauds. Tenez les enfants à l'écart.

Utilisez toujours des gants de protection thermique lorsque vous placez ou retirez des plats du four chaud.



Faites attention lors de l'ouverture du four car de la vapeur peut s'en échapper.

La vapeur peut provoquer des brûlures sur vos mains, votre visage et/ou vos yeux.

Conseils pour la pâtisserie

- Utilisez des plats en métal anti-adhérent adaptés ou des ustensiles en aluminium ou des moules en silicone résistant à la chaleur.
- Utilisez l'espace de la plaque au mieux.
- Placez le moule de cuisson au milieu.
- Sélectionnez l'emplacement adapté avant d'allumer le four ou le grill. Ne changez pas d'emplacement lorsque le four est chaud.
- Gardez la porte du four fermée.

Conseils pour rôtir

- Assaisonner les poulets entiers, dindes et gros morceaux de viande avec du jus de citron et du poivre noir avant la cuisson augmentera la performance de cuisson.
- La viande rôtie met 15 à 30 minutes de plus à cuire avec des os par rapport à un rôti équivalent sans os.
- Chaque centimètre d'épaisseur de viande requiert environ 4 à 5 minutes de temps de cuisson.
- Laissez la viande reposer dans le four pendant environ 10 minutes après le temps de cuisson. Le jus se répartira sur

l'ensemble de la viande et ne coulera pas à sa découpe.

- Le poisson doit être placé au milieu du four ou plus bas dans un plat résistant au feu.

Conseils pour les grillades

Lorsque la viande, poissons et volailles sont grillés, ils brunissent rapidement, deviennent croustillants et ne sèchent pas. Les morceaux minces, les brochettes de viandes et les saucisses mais également les légumes à forte teneur en liquide (par exemple les tomates et les oignons) sont particulièrement adaptés à cette cuisson.

- Répartissez les morceaux à griller sur la grille métallique ou la plaque de cuisson avec la grille métallique de manière à ce que l'espace couvert ne dépasse pas la taille de la résistance.
- Glissez l'étagère métallique ou la plaque de cuisson avec la grille dans le four au niveau souhaité. Si vous faites des grillades sur l'étagère, glissez la plaque de cuisson sur le châssis pour recueillir les graisses. La plaque de cuisson à glisser doit pouvoir couvrir toute la surface du grill. Cette plaque peut ne pas être fournie avec le produit. Ajoutez un peu d'eau dans la plaque de cuisson pour faciliter le nettoyage.



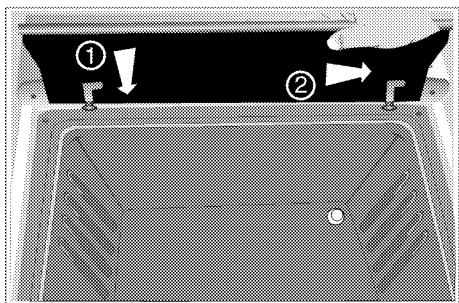
Les aliments non adaptés pour le grill exposent à des risques d'incendie. N'utilisez que des aliments à griller adaptés à une chaleur de grill intense.

Ne placez pas la nourriture trop au fond du grill. Il s'agit de la zone la plus chaude et les aliments gras pourraient prendre feu.

Installation de l'écran thermique

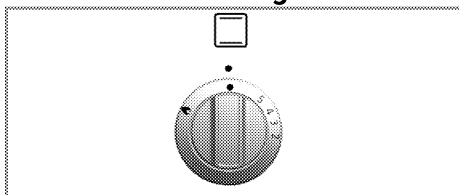
L'écran thermique est utilisé pour griller avec la porte du four ouverte. Protège le bandeau de commande et les boutons de la chaleur et de la saleté.

1. Ouvrez la porte du four et insérez l'écran thermique dans les fentes sous le bandeau de commandes.



» Quand l'écran thermique est installé, la porte du four reste ouverte.

Utilisation du four à gaz



Le four à gaz est actionné par la manette de commande du four à gaz. Dans la position arrêt (haut) l'alimentation en gaz est coupée.

Allumage du four à gaz

Le four à gaz s'allume avec un bouton d'allumage.

1. Ouvrez la porte du four.
2. Maintenez la manette de commande du four à gaz enfoncée et tournez-la dans le **sens inverse des aiguilles d'une montre**.
3. Appuyez sur la commande d'allumage et relâchez-la de nouveau.

4. Maintenez la manette de commande du four à gaz enfoncée pendant 3 à 5 secondes.

» Répétez l'opération jusqu'à ce que le gaz s'échappant s'enflamme.

5. Maintenez la manette de commande du four à gaz enfoncée pendant 3 à 5 secondes supplémentaires. Assurez-vous que le gaz s'est allumé et que la flamme est présente.

6. Réglez la puissance de cuisson/gaz souhaitée.

7. S'il n'y a pas d'électricité, allumez le gaz avec le briquet dans le trou de commande d'allumage.



Vous risqueriez une compression de gaz et une explosion !

N'essayez pas d'allumer le gaz pendant plus de 15 secondes. Si le brûleur à gaz ne s'allume pas après 15 secondes, relâchez le bouton et patientez pendant 1 minute. Aérez la salle avant de réessayer d'allumer le brûleur à gaz. Vous risqueriez une compression de gaz et une explosion !

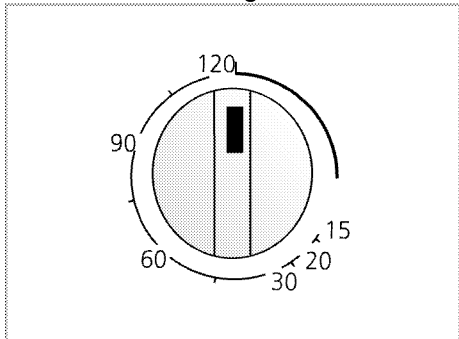
Arrêt du four à gaz

1. Tournez la manette de commande du four à gaz sur la position arrêt (haut).

Les niveaux de gaz signifient :

Niveau de gaz	1	2	3	4	5
Température en °C	170	180	200	230	280

Utilisation de l'horloge comme alarme



L'alarme n'a aucune influence sur les fonctions du four. Elle sert uniquement d'avertissement. Cela peut être utile, par exemple, lorsque vous voulez retourner les aliments dans le four après un certain temps. L'alarme émettra un signal une fois l'heure réglée achevée.

Définir l'alarme

1. Tournez la manette de réglage de l'heure dans le sens des aiguilles d'une montre pour déterminer la durée de la sonnerie de l'alarme.

2. La manette tournera dans le sens contraire des aiguilles d'une montre à la fin du temps de cuisson et l'alarme résonnera. L'alarme n'éteint pas le four.

i Tournez la manette Fonction dans le sens contraire des aiguilles d'une montre sur Arrêt pour arrêter le four.

Tableau des temps de cuisson

i Le 1er étage du four est l'emplacement du premier gradin.

i Capacité de charge maximale pour la plaque de four : 4 kg.

i Les durées indiquées dans ce tableau ne servent que d'exemple. Elles peuvent varier selon la température, l'épaisseur et le type d'aliments, ainsi que vos préférences de cuisson.

Placez les plats sur du papier sulfurisé pour empêcher des écoulements sur la base du four et garder le four propre.

Cuisson au four et rôtisserie

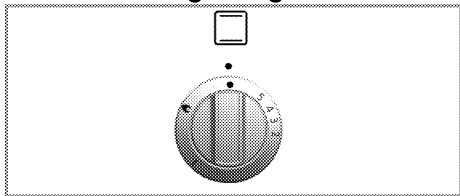
Aliments	Accessoires à utiliser	Préchauffage +	Niveaux de d'insertion	Position de manette de contrôle	Temps de cuisson
Tourte aux pommes	Plat rond en métal d'un diamètre de 20 cm sur grille métallique***	10 min.	3	1	60...70 min.
Tarte aux fruits	Plat rond en métal d'un diamètre de 20 cm sur grille métallique***	10 min.	3	1	60...70 min.
Tourte	Plat rond en métal d'un diamètre de 20 cm sur grille métallique***	10 min.	3	1	60...70 min.
Cookies	Plaque standard**	10 min.	4	1...2	30...40 min.
Pâtisserie	Plaque standard**	10 min.	3...4	1...2	40...50 min.
Gâteau	Moule à cake sur grille métallique***	10 min.	3	1...2	60...70 min.
Biscuits	Plaque standard**	10 min.	4	1...2	30...40 min.
Agneau rôti	Plaque standard**	10 min.	4...5	3	35...45 min.par 450 g + 30 min.
Rôti de bœuf	Plaque standard**	10 min.	3...4	3	100...130 min.par 450 g + 30 min.
Dinde	Plaque standard**	10 min.	3	3	100...130 min.par 450 g + 30 min.
Volaille	Plaque standard**	10 min.	3	1...2	100...130 min.par 450 g + 25 min.
Ragoûts	Plaque standard**	10 min.	4	1...2	90...120 min. [§]
Poisson	Plaque standard**	10 min.	3	1...2	45...55 min.
Macaronis	Plaque standard**	10 min.	4	1...2	50...55 min.
Victoria sandwich (Génoise)	Plaque standard**	10 min.	3	1	30...35 min.

* en position de la manette de contrôle 5 / [§] selon la quantité / [#] selon la taille

** Ces accessoires ne sont pas forcément fournis avec le produit.

*** Ces accessoires ne sont pas fournis avec le produit. Il s'agit d'accessoires disponibles dans le commerce.

Utilisation du grill à gaz



Le grill est activé avec la manette de contrôle du grill. En position Arrêt (indicateur vers le haut), il n'y a pas d'alimentation en gaz.

La porte du four doit restée ouverte pendant le grill.



Les surfaces chaudes peuvent brûler ! Tenez les enfants à l'écart de l'appareil.

Laissez la porte du four légèrement inclinée lorsqu'elle est grandement ouverte, afin d'être à l'abri des éclaboussures.

Allumage du grill

Le four à gaz s'allume avec un bouton d'allumage.

1. Ouvrez la porte du four.
2. Maintenez la manette enfoncée et tournez-la **dans le sens des aiguilles d'une montre** sur le symbole grill.
3. Appuyez sur le bouton d'allumage et relâchez-le.
» Répétez l'opération jusqu'à ce que le gaz s'enflamme.
4. Maintenez la commande du brûleur enfoncée pendant 3 à 5 secondes de plus.
5. Vérifiez que le grill est allumé.
6. Si l'électricité est coupée, allumez le brûleur du grill avec un briquet ou une allumette.



Vous risqueriez une compression de gaz et une explosion !

N'essayez pas d'allumer le gaz pendant plus de 15 secondes. Si le brûleur à gaz ne s'allume pas après 15 secondes, relâchez le bouton et patientez pendant 1 minute. Aérez la salle avant de réessayer d'allumer le brûleur à gaz. Vous risqueriez une compression de gaz et une explosion !

Extinction du grill

1. Tournez la manette de contrôle du grill sur Arrêt (indicateur vers le haut)



Les aliments non adaptés pour le grill exposent à des risques d'incendie. N'utilisez que des aliments à griller adaptés à une chaleur de grill intense.

Ne placez pas la nourriture trop au fond du grill. Il s'agit de la zone la plus chaude et les aliments gras pourraient prendre feu.

Fonction tournebroche

Après avoir sélectionné la fonction Grill, appuyez sur le bouton Tournebroche.

- Après avoir sélectionné la fonction grill, embrochez la viande ou le poulet.
- Insérez le tournebroche dans son encoche dans le moteur de rotation situé sur la paroi arrière du four. Placez la tournebroche dans le cadre de la broche.
- Placez le cadre sur le châssis du four choisi.
- Placez une plaque sur l'un des châssis inférieur pour recueillir la graisse. Mettez de l'eau dans la plaque pour faciliter le nettoyage.
- **N'oubliez pas d'enlever la poignée en plastique du tournebroche.**
- Quand la cuisson est achevée, attachez la poignée en plastique et enlevez votre plat du four.

Tableau des temps de cuisson

i Les durées indiquées dans ce tableau ne servent que d'exemple. Elles peuvent varier selon la température, l'épaisseur et le type d'aliments, ainsi que vos préférences de cuisson.

i Le 1er étage du four est l'emplacement du premier gradin.

Grillade avec le grill à gaz

Aliments	Préparation/ajustement	Temps de grillage [#]
Faire griller du pain	3...10 min.
Petits morceaux de viande, saucisses, bacon, etc.	15...20 min.
Côtelettes, tranches de jambon fumé, morceaux de poulet, etc.	Poulet avec grille dans la position retournée.	20...25 min.
Poisson entier, filets de poissons, bâtonnets de poisson	Poisson entier et filets de poisson placés sur le fond de la lèche-frite.	10...20 min.
Poisson pané	15...20 min.
Produits précuits à base de pommes de terre	15...20 min.
Pizza	Placés dans la base de la lèche-frite.	12...15 min.
Faire dorer/griller des aliments	Plat posé directement au fond du compartiment grill.	8...10 min.

selon la taille et l'épaisseur

7 Maintenance et entretien

Généralités

Un nettoyage régulier de l'appareil rallongera la durée de vie et diminuera l'apparition de problèmes.



Débranchez l'appareil de la prise d'alimentation avant de commencer le nettoyage et l'entretien.

Vous risqueriez un choc électrique !



Laissez l'appareil refroidir avant de le nettoyer.

Les surfaces chaudes peuvent brûler !

- Nettoyez l'appareil après chaque utilisation. Il vous sera ainsi possible d'ôter plus facilement les résidus de nourriture éventuels, évitant ainsi qu'ils ne brûlent lors de l'utilisation suivante.
- Aucun produit nettoyant particulier n'est nécessaire pour nettoyer l'appareil. Utilisez de l'eau tiède avec du détergent, un chiffon doux ou une éponge pour nettoyer l'appareil et essuyez-le à l'aide d'un chiffon sec.
- Veillez toujours à bien essuyer les excès de liquide après le nettoyage et essuyez immédiatement tout déversement.
- N'utilisez pas de détergents contenant de l'acide ou du chlore pour nettoyer les surfaces en acier inoxydable et la poignée. Utilisez un chiffon doux avec un détergent liquide non abrasif pour nettoyer ces parties, en prenant soin de toujours frotter dans le même sens.
- (Cette fonction est optionnelle. Elle peut ne pas être disponible sur votre produit.)** N'utilisez pas de grattoirs métalliques ou de matériaux de nettoyage abrasifs pour nettoyer le couvercle en verre. La surface en verre pourrait être endommagée.



La surface pourrait être endommagée par certains détergents ou produits de nettoyage.

N'utilisez pas de détergents agressifs, de poudre/crèmes de nettoyage ou d'objets tranchants pour le nettoyage.



N'utilisez pas de nettoyeurs à vapeur pour le nettoyage de l'appareil, car ceux-ci présentent un risque d'électrocution.

Nettoyage du brûleur

Nettoyage du brûleur

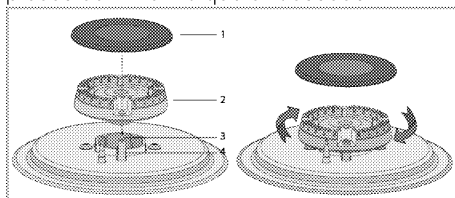
- Retirez les grilles de la table de cuisson.
- Retirez toutes les pièces amovibles du brûleur et nettoyez uniquement à la main à l'aide d'une éponge, un peu de détergent et de l'eau chaude.
- Nettoyez les pièces fixes du brûleur avec un chiffon humide.
- Nettoyez la fiche et l'élément thermique (pour les modèles avec systèmes d'allumage et thermique) à l'aide d'un chiffon légèrement humidifié. Puis, séchez en utilisant un chiffon propre. Assurez-vous que les trous pour flamme et la fiche ont bien séchés.

Dans le cas contraire, aucune étincelle ne se produira à la fin de l'allumage.

- Lorsque vous installez les grilles supérieures, veillez à bien positionner les grilles afin de centrer les brûleurs.

Assemblez les pièces du brûleur

Après avoir nettoyé le brûleur, placez les pièces comme indiqué ci-dessous.



1 Couvercle du brûleur

- 2 Tête du brûleur
 - 3 Chambre du brûleur
 - 4 Bougie (produits internes avec allumeur)
1. Placez la tête du brûleur de telle sorte qu'elle passe à travers la bougie du brûleur (4). Tournez la tête du brûleur vers la droite et vers la gauche pour vous assurer qu'elle est bien en place dans la chambre du brûleur.
 2. Placez le couvercle du brûleur sur la tête du brûleur.

Nettoyage du bandeau de commande

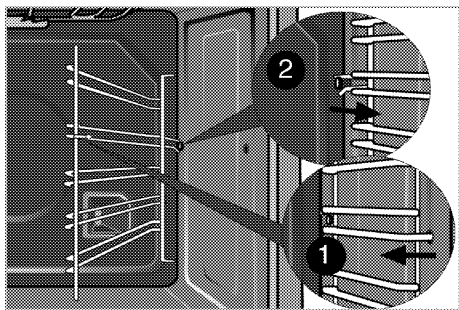
Nettoyez le bandeau de commande et les boutons de commande avec un chiffon humide et essuyez-les.

- i** Si votre produit est équipé des boutons, ne retirez pas ceux de commande pour nettoyer le panneau de commande.
- Le panneau de commande pourrait être endommagé !

Nettoyage du four

Pour nettoyer la paroi latérale (Varient en fonction du modèle de four.) (Cette fonction est optionnelle. Elle peut ne pas être disponible sur votre produit.)

1. Retirez la partie avant du rail latéral en le tirant vers le côté opposé de la paroi latérale.
2. Retirez le rail latéral complètement en le tirant vers vous.

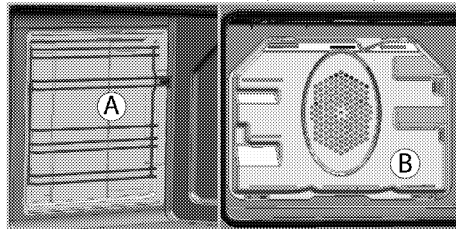


Parois catalytiques

(Cette fonction est optionnelle. Elle peut ne pas être disponible sur votre produit.)

Les parois latérales internes (A) et/ou la paroi arrière (B) de votre produit peuvent

être revêtues d'un émail catalytique. Les parois catalytiques ont une couleur matte claire et une surface poreuse. Ne nettoyez pas les parois catalytiques du four. Grâce à leur structure perforée, les surfaces catalytiques absorbent la graisse et lorsqu'elles commencent à briller, cela signifie qu'elles sont couvertes de graisse. Dans ce cas, il est recommandé de remplacer les pièces.



Nettoyage de la porte du four.

Utilisez de l'eau tiède avec du détergent, un chiffon doux ou une éponge pour nettoyer la porte du four et essuyez l'appareil à l'aide d'un chiffon sec.

Essuyez le verre avec du vinaigre. Rincez-le ensuite pour éliminer les résidus de calcaire qui peuvent se trouver sur la vitre du four.

- i** N'utilisez pas de détergents abrasifs ou de grattoirs en métal dur pour nettoyer la porte du four. Vous pourriez rayer la surface et endommager la vitre.

Nettoyage de la porte du four

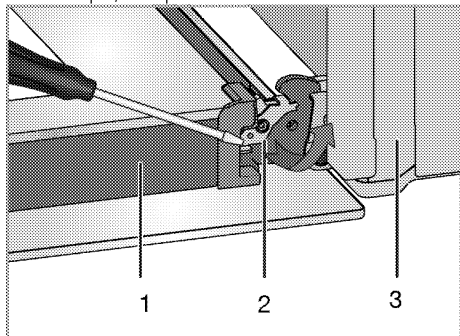
- i** N'utilisez pas de produits de nettoyage abrasifs durs, de grattoirs métalliques, de fil de laine métallique ou de produits d'eau de Javel pour nettoyer la porte et le verre du four.

Vous pouvez retirer la porte de votre four et les vitres de la porte pour les nettoyer. La procédure de retrait des portes et des fenêtres est expliquée dans les sections « Retrait de la porte du four » et « Retrait des vitres intérieures de la porte ». Après avoir retiré les vitres intérieures de la porte, nettoyez-les à l'aide d'un détergent à vaisselle, d'eau chaude et d'un chiffon doux ou d'une éponge et séchez-les à l'aide d'un chiffon sec. Essuyez le verre avec du vinaigre. Rin-

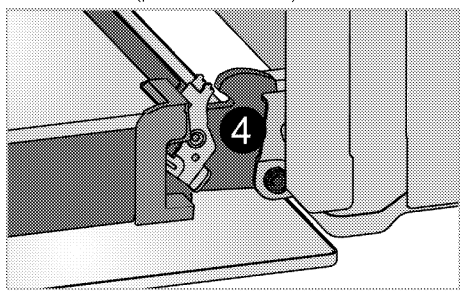
cez-le ensuite pour éliminer les résidus de calcaire qui peuvent se trouver sur la vitre du four.

Retirer la porte du four

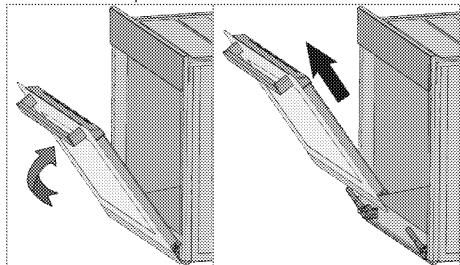
1. Ouvrez la porte frontale (1).
2. Ouvrez les clips sur le logement de la charnière (2) sur les côtés droit et gauche de la porte frontale en faisant pression sur les clips, tel qu'illustré dans le schéma.



- 1 Porte
- 2 Charnière(position fermée)
- 3 Four
- 4 Charnière(position ouverte)



3. Ouvrez la porte frontale à moitié.



4. Retirez la porte frontale en la tirant vers le haut pour la libérer des charnières droite et gauche.

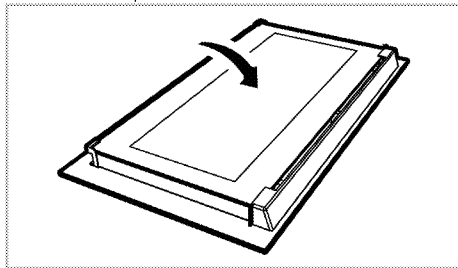
i Les étapes effectuées pendant le processus de retrait doivent être suivies dans l'ordre inverse pour installer la porte. N'oubliez pas de fermer les clips du logement de la charnière lors de la réinstallation de la porte.

Retrait de la vitre de la porte

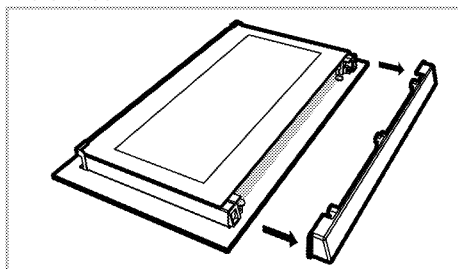
(Cette fonction est optionnelle. Elle peut ne pas être disponible sur votre produit.)

Le panneau vitré interne de la porte du four peut être retiré pour le nettoyage.

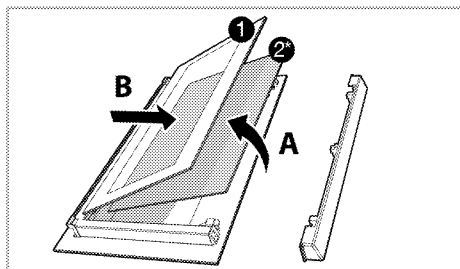
1. Ouvrez la porte du four.



2. Tirez vers vous et retirez le morceau en plastique placé sur le haut de la porte d'entrée.



3. Comme illustré sur la figure, soulevez le panneau de verre du fond (1) légèrement dans la direction A et retirez-le dans la direction B.



- 1 Panneau vitré du fond
- 2* Panneau vitré du fond (Elle peut ne pas être disponible sur votre produit.)
4. Si votre appareil est équipé d'un panneau vitré intérieur (2), répétez cette opération pour enlever le panneau en verre intérieur (2).
5. La première étape pour réassembler la porte est de réinstaller le panneau de verre intérieur (2). Placez le coin chanfreiné du panneau en verre pour qu'il reste sur le coin chanfreiné de l'encoche en plastique. (Si votre appareil est équipé d'un panneau vitré intérieur). Le panneau de verre intérieur (2) doit être installé dans l'encoche en plastique près du panneau en verre du fond (1).
6. Quand vous installez le panneau en verre de derrière (1), vérifiez que le côté imprimé du panneau fait face au second panneau en verre. Il est important d'asseoir les coins inférieurs de tous les panneaux en verre intérieurs (1) dans l'encoche en plastique inférieure.
7. Poussez le morceau en plastique dans le cadre jusqu'à ce que vous entendiez un "click".

Remplacement de l'ampoule du four



Avant de remplacer l'ampoule de four, vérifiez que l'appareil est débranché de l'alimentation et froid afin d'éviter tout risque de choc électrique. Les surfaces chaudes peuvent brûler !

i Dans ce four, une lampe à incandescence d'une puissance inférieure à 40 W, d'une hauteur inférieure à 30 mm ou une lampe halogène à culot de type G9, d'une puissance inférieure à 60 W est utilisée. Les lampes conviennent pour un fonctionnement à des températures supérieures à 300 °C. Les lampes du four peuvent être obtenues auprès d'agents de service agréés ou d'un technicien titulaire d'une licence. Ce produit contient une lampe de classe énergétique G.

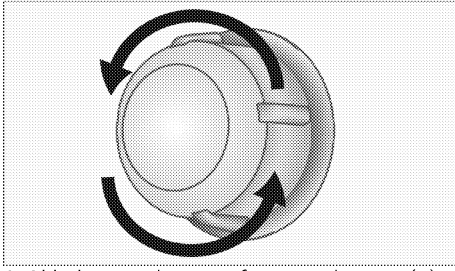
i L'emplacement de la source lumineuse peut varier par rapport à l'illustration.

i L'ampoule utilisée dans cet appareil n'est pas appropriée à l'éclairage d'une pièce d'un ménage. Cette ampoule est destinée à aider l'utilisateur à distinguer les denrées alimentaires.

i Les ampoules utilisées dans cet appareil doivent résister à des conditions physiques extrêmes telles que des températures supérieures à 50 °C.

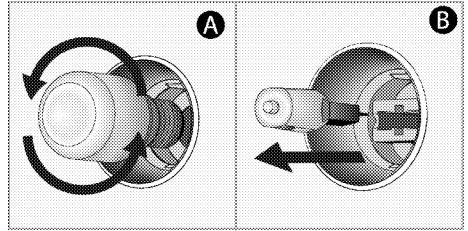
Si votre four est équipé d'une lampe ronde :

1. Débranchez l'appareil de l'alimentation.
2. Dévissez le cache de l'ampoule en le tournant dans le sens contraire des aiguilles d'une montre pour l'enlever.



3. Si la lampe de votre four est de type (A) comme l'indique le schéma ci-après, ôtez-la en la faisant pivoter comme illustré, avant de la remplacer. Si, par contre, elle est de type (B), tirez-la pour l'ôter

comme illustré sur le schéma avant de la remplacer.



4. Remettez en place le cache de l'ampoule.

8 Recherche et résolution des pannes

Le four émet de la vapeur lorsqu'il est en marche.

- Il est normal que de la vapeur s'échappe pendant le fonctionnement. >>> *Cela n'est pas un défaut.*

Le appareil émet des bruits métalliques lors des phases de chauffage et de refroidissement.

- Lorsque les pièces métalliques sont chauffées, elles peuvent se détendre et émettre ces bruits. >>> *Cela n'est pas un défaut.*

Il n'y a pas d'étincelle d'allumage.

- Pas de courant. >>> *Vérifiez les fusibles dans la boîte à fusibles.*

Il n'y a pas de gaz.

- Le robinet de gaz principal est fermé. >>> *Ouvrez le robinet du gaz.*
- Le tuyau du gaz est plié. >>> *Installez le tuyau du gaz correctement.*

Les brûleurs ne s'allument pas correctement ou pas du tout.

- Les brûleurs sont sales. >>> *Nettoyez les composants des brûleurs.*
- Les brûleurs sont humides. >>> *Séchez les composants des brûleurs.*
- Le couvercle du brûleur n'est pas assemblé correctement. >>> *Assemblez le couvercle du brûleur correctement.*
- Le robinet de gaz principal est fermé. >>> *Ouvrez le robinet du gaz.*
- La bonbonne de gaz est vide (en cas d'utilisation du LPG). >>> *Remplacez la bonbonne du gaz.*



Consultez le technicien autorisé ou le revendeur qui vous a vendu l'appareil si vous ne parvenez pas à résoudre le problème après avoir suivi les instructions comprises dans ce chapitre. N'essayez jamais de réparer un appareil défectueux vous-même.

