

beko

Refrigerator

User manual

Kühlschrank/Gefrierschrank

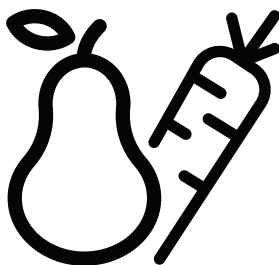
Bedienungsanleitung

Réfrigérateur

Manuel d'utilisation

Frigorífico

Manual do Utilizador



RCHE300K30WN

EN / DE / FR / PT



RECYCLED &
RECYCLABLE PAPER



RECYCELTES UND
RECYCELBARES PAPIER



PAPIER ENTIEREMENT
RECYCLÉ ET RECYCLABLE



PAPEL RECICLADO E
RECICLÁVEL

Please read this manual before using the product!

Dear Customer,

We'd like you to make the best use of our product, which has been manufactured in modern facilities with care and meticulous quality controls.

Thus, we advise you to read the entire user manual before you use the product. In case the product changes hands, do not forget to hand the guide to its new owner along with the product.

This guide will help you use the product quickly and safely.

- Please read the user guide carefully before installing and operating the product.
- Always observe the applicable safety instructions.
- Keep the user guide within easy reach for future use.
- Please read any other documents provided with the product.

Keep in mind that this user guide may apply to several product models. The guide clearly indicates any variations of different models.

	Important information and useful tips.
	Risk of life and property.
	Risk of electric shock.
	The product's packaging is made of recyclable materials, in accordance with the National Environment Legislation.

INFORMATION



SUPPLIER'S NAME

MODEL IDENTIFIER → (*)

A

A

The model information as stored in the product data base can be reached by entering following website and searching for your model identifier (*) found on energy label.





<https://eprel.ec.europa.eu/>

1.Safety and environment instructions	5
General safety	5
Intended use	7
Child safety	7
Compliance with WEEE Directive and Disposing of the Waste Product	8
Compliance with RoHS Directive.....	8
Package information.....	8
2 Your Refrigerator	9
3 Installation	10
Appropriate Installation Location.....	10
4 Preparation	12

5 Using your refrigerator	14
Freezing fresh food	16
Recommendations for preservation of frozen food.....	16
Placing the food.....	16
Deep-freeze information	17
Open door warning.....	18
Changing the illumination lamp	18
6Maintenance and cleaning	20
7Troubleshooting	21

This section provides the safety instructions necessary to prevent the risk of injury and material damage. Failure to observe these instructions will invalidate all types of product warranty.

Intended use

	WARNING: Keep ventilation openings, in the appliance enclosure or in the built-in structure, clear of obstruction.
	WARNING: Do not use mechanical devices or other means to accelerate the defrosting process, other than those recommended by the manufacturer.
	WARNING: Do not damage the refrigerant circuit.
	WARNING: Do not use electrical appliances inside the food storage compartments of the appliance, unless they are of the type recommended by the manufacturer.

This appliance is intended to be used in household and similar applications such as

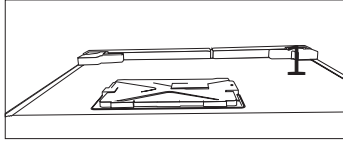
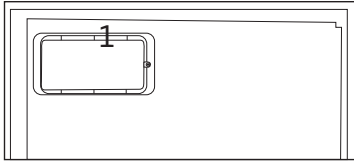
- staff kitchen areas in shops, offices and other working environments;

- farm houses and by clients in hotels, motels and other residential type environments;
- bed and breakfast type environments;
- catering and similar non-retail applications.

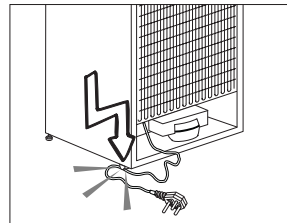
1.1. General safety

- This product should not be used by persons with physical, sensory and mental disabilities, without sufficient knowledge and experience or by children. The device can only be used by such persons under supervision and instruction of a person responsible for their safety. Children should not be allowed to play with this device.
- In case of malfunction, unplug the device.
- After unplugging, wait at least 5 minutes before plugging in again.
- Unplug the product when not in use.
- Do not touch the plug with wet hands! Do not pull the cable to plug off, always hold the plug.
- Do not plug in the refrigerator if the socket is loose.
- Unplug the product during installation, maintenance, cleaning and repair.
- If the product will not be used for a while, unplug the product and remove any food inside.
- Do not use the product when the compartment with circuit cards located on the upper back part of the product (electrical card box cover) (1) is open.

Safety and environment instructions



- Do not use steam or steamed cleaning materials for cleaning the refrigerator and melting the ice inside. Steam may contact the electrified areas and cause short circuit or electric shock!
 - Do not wash the product by spraying or pouring water on it! Danger of electric shock!
 - In case of malfunction, do not use the product, as it may cause electric shock. Contact the authorised service before doing anything.
 - Plug the product into an earthed socket. Earthing must be done by a qualified electrician.
 - If the product has LED type lighting, contact the authorised service for replacing or in case of any problem.
 - Do not touch frozen food with wet hands! It may adhere to your hands!
 - Do not place liquids in bottles and cans into the freezer compartment. They may explode.
 - Place liquids in upright position after tightly closing the lid.
- Do not spray flammable substances near the product, as it may burn or explode.
 - Do not keep flammable materials and products with flammable gas (sprays, etc.) in the refrigerator.
 - Do not place containers holding liquids on top of the product. Splashing water on an electrified part may cause electric shock and risk of fire.
 - Exposing the product to rain, snow, sunlight and wind will cause electrical danger. When relocating the product, do not pull by holding the door handle. The handle may come off.
 - Take care to avoid trapping any part of your hands or body in any of the moving parts inside the product.
 - Do not step or lean on the door, drawers and similar parts of the refrigerator. This will cause the product to fall down and cause damage to the parts.
 - Take care not to trap the power cable.



Safety and environment instructions

1.1.1 HC warning

If the product comprises a cooling system using R600a gas, take care to avoid damaging the cooling system and its pipe while using and moving the product. This gas is flammable. If the cooling system is damaged, keep the product away from sources of fire and ventilate the room immediately.



The label on the inner left side indicates the type of gas used in the product.

1.1.2 For models with water dispenser

- Pressure for cold water inlet shall be maximum 90 psi (6.2 bar). If your water pressure exceeds 80 psi (5.5 bar), use a pressure limiting valve in your mains system. If you do not know how to check your water pressure, ask for the help of a professional plumber.
- If there is risk of water hammer effect in your installation, always use a water hammer prevention equipment in your installation. Consult Professional plumbers if you are not sure that there is no water hammer effect in your installation.
- Do not install on the hot water inlet. Take precautions against of the risk of freezing of the hoses. Water temperature operating interval shall be 33°F (0.6°C) minimum and 100°F (38°C) maximum.
- Use drinking water only.

1.2. Intended use

- This product is designed for home use. It is not intended for commercial use.
- The product should be used to store food and beverages only.
- Do not keep sensitive products requiring controlled temperatures (vaccines, heat sensitive medication, medical supplies, etc.) in the refrigerator.
- The manufacturer assumes no responsibility for any damage due to misuse or mishandling.
- Original spare parts will be provided for 10 years, following the product purchasing date.

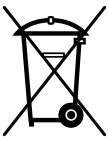
1.3. Child safety

- Keep packaging materials out of children's reach.
- Do not allow the children to play with the product.
- If the product's door comprises a lock, keep the key out of children's reach.

Safety and environment instructions

1.4. Compliance with WEEE Directive and Disposing of the Waste Product

This product complies with EU WEEE Directive (2012/19/EU). This product bears a classification symbol for waste electrical and electronic equipment (WEEE).



This product has been manufactured with high quality parts and materials which can be reused and are suitable for recycling. Do not dispose of the waste product with normal domestic and other wastes at the end of its service life. Take it to the collection center for the recycling of electrical and electronic equipment. Please consult your local authorities to learn about these collection centers.

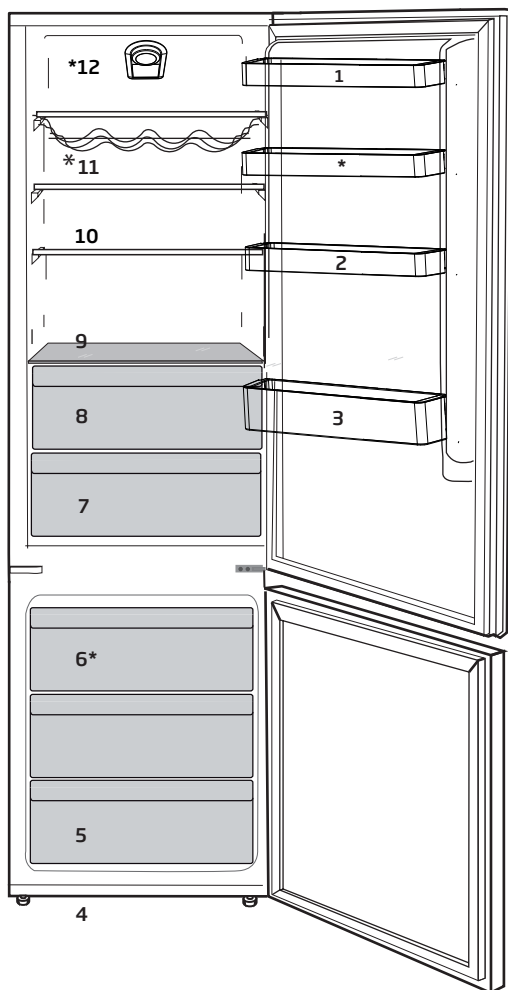
1.5. Compliance with RoHS Directive

- This product complies with EU WEEE Directive (2011/65/EU). It does not contain harmful and prohibited materials specified in the Directive.

1.6. Package information

Packaging materials of the product are manufactured from recyclable materials in accordance with our National Environment Regulations. Do not dispose of the packaging materials together with the domestic or other wastes. Take them to the packaging material collection points designated by the local authorities.

2 Your Refrigerator



- | | |
|----------------------------|---|
| 1. Adjustable door shelves | 7. Crisper |
| 2. Egg tray | 8. The dairy (cold storage) compartment |
| 3. Bottle shelf | 9. Chiller cover and glass |
| 4. Adjustable front feet | 10. Adjustable shelves |
| 5. Freezer compartment | 11. Wine cellar |
| 6. Freezer fan | 12. Indicator Panel |

***May not be available in all models**



Figures that take place in this instruction manual are schematic and may not correspond exactly with your product. If the subject parts are not included in the product you have purchased, then it is valid for other models.

3.1. Appropriate Installation Location

Contact an Authorized Service for the installation of the product. In order to prepare the product for use, refer the information in the user manual and ensure that electrical installation and water installation are appropriate. If not, call a qualified electrician and technician to have any necessary arrangements carried out.

	<p>WARNING: Manufacturer shall not be held liable for damages that may arise from procedures carried out by unauthorized persons.</p>
	<p>WARNING: Product must not be plugged in during installation. Otherwise, there is the risk of death or serious injury!</p>
	<p>WARNING: If the door clearance of the room where the product shall be placed is so tight to prevent passing of the product, remove the door of the room and pass the product through the door by turning it to its side; if this does not work, contact the authorized service.</p>

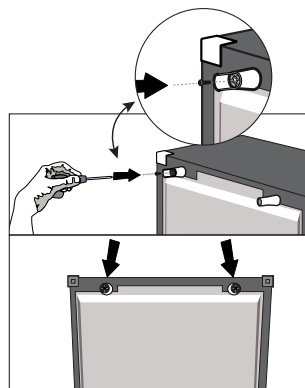
- Place the product on an even floor surface to prevent jolts.
- Install the product at least 30 cm away from heat sources such as hobs, heater cores and stoves and at least 5 cm away from electrical ovens.
- Product must not be subjected to direct sun light and kept in humid places.

- Appropriate air ventilation must be provided around your product in order to achieve an efficient operation. If the product is to be placed in a recess in the wall, pay attention to leave at least 5 cm distance with the ceiling and side walls.
- Please provide at least 5cm distance for air circulation between the back side of your product and the wall to avoid condensation on the rear panel of product.
- Your product requires adequate air circulation to function efficiently. If the product will be placed in an alcove, remember to leave at least 5 cm clearance between the product and the ceiling, rear wall and the side walls.

3.2 Attaching the plastic wedges

Use the plastic wedges in the provided with the product to provide sufficient space for air circulation between the product and the wall.

1. To attach the wedges, remove the screws on the product and use the screws provided with the wedges.
2. Attach 2 plastic wedges on the ventilation cover as shown in the figure.

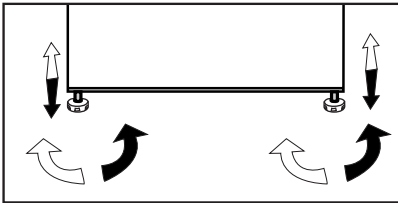


Installation

- If the product will be placed in an alcove, remember to leave at least 5 cm clearance between the product and the ceiling, rear wall and the side walls. Check if the rear wall clearance protection component is present at its location (if provided with the product). If the component is not available, or if it is lost or fallen, position the product so that at least 5 cm clearance shall be left between the rear surface of the product and the wall of the room. The clearance at the rear is important for efficient operation of the product.
- Our company shall not be liable for any damages that will arise when the product is used without grounding and electrical connection in accordance with the national regulations.
- Power cable plug must be within easy reach after installation.
- Do not extension cords or cordless multiple outlets between your product and the wall outlet.

3.3 Adjusting the Feet

If the product stands unbalanced after installation, adjust the feet on the front by rotating them to the right or left.



3.4 Electrical Connection

	WARNING: Do not make connections via extension cables or multi-plugs.
	WARNING: Damaged power cable must be replaced by the Authorized Service Agent.
	If two coolers are to be installed side by side, there should be at least 4 cm distance between them.

Hot Surface Warning!

Side walls of your product is equipped with refrigerant pipes to improve the cooling system. Refrigerant with high temperatures may flow through these areas, resulting in hot surfaces on the side walls. This is normal and does not need any servicing. Please pay attention while touching these areas.

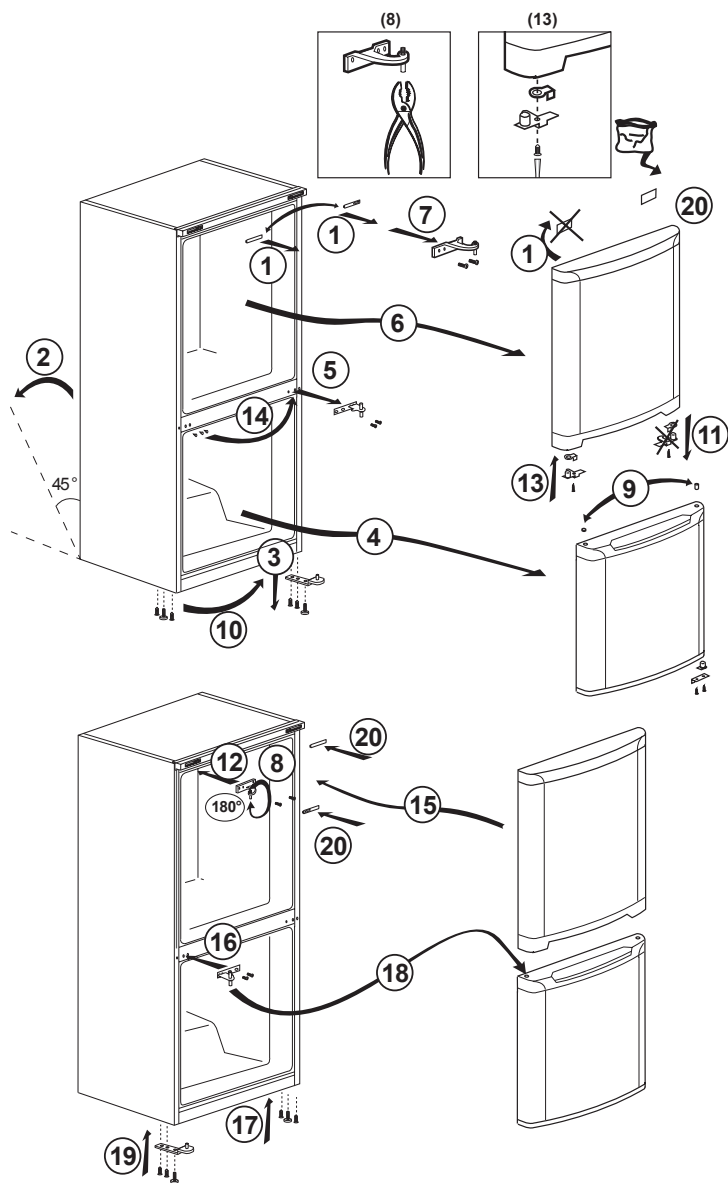


4 Preparation

- For a freestanding appliance; 'this refrigerating appliance is not intended to be used as a built-in appliance.
- Your refrigerator should be installed at least 30 cm away from heat sources such as hobs, ovens, central heater and stoves and at least 5 cm away from electrical ovens and should not be located under direct sunlight.
- The ambient temperature of the room where you install your refrigerator should at least be -5°C. Operating your refrigerator under cooler conditions is not recommended with regard to its efficiency.
- Please make sure that the interior of your refrigerator is cleaned thoroughly.
- If two refrigerators are to be installed side by side, there should be at least 2 cm distance between them.
- When you operate your refrigerator for the first time, please observe the following instructions during the initial six hours.
- The door should not be opened frequently.
- It must be operated empty without any food in it.
- Do not unplug your refrigerator. If a power failure occurs out of your control, please see the warnings in the "Recommended solutions for the problems" section.
- Original packaging and foam materials should be kept for future transportations or moving.
- The baskets/drawers that are provided with the chill compartment must always be in use for low energy consumption and for better storage conditions.
- Food contact with the temperature sensor in the freezer compartment may increase energy consumption of the appliance. Thus any contact with the sensor(s) must be avoided.
- In some models, the instrument panel automatically turns off 5 minutes after the door has closed. It will be reactivated when the door has opened or pressed on any key.
- Due to temperature change as a result of opening/closing the product door during operation, condensation on the door/body shelves and the glass containers is normal
- Since hot and humid air will not directly penetrate into your product when the doors are not opened, your product will optimize itself in conditions sufficient to protect your food. Functions and components such as compressor, fan, heater, defrost, lighting, display and so on will operate according to the needs to consume minimum energy under these circumstances.

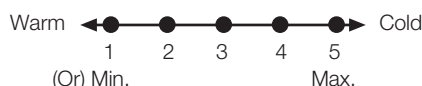
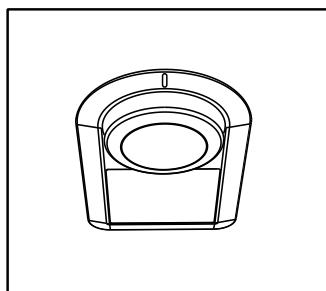
Réversibilité des portes

Procédez dans l'ordre numérique



5 Using your refrigerator

The operating temperature is regulated by the temperature control.



0=System cooling is off.

1=Lowest cooling setting (Warmest setting).

5=Highest cooling setting (Coldest setting).

The average temperature inside the fridge should be around +5°C.

Please choose the setting according to the desired temperature.

Please note that there will be different temperatures in the cooling area.

The coldest region is immediately above the vegetable compartment.

The interior temperature also depends on ambient temperature, the frequency with which the door is opened and the amount of foods kept inside.

Frequently opening the door causes the interior temperature to rise.

For this reason, it is recommended to close the door again as soon as possible after use.

The interior temperature of your refrigerator changes for the following reasons;

- Seasonal temperatures,
- Frequent opening of the door and leaving the door open for long periods,
- Food put into the refrigerator without cooling down to the room temperature,
- The location of the refrigerator in the room (e.g. exposing to sunlight),
- You may adjust the varying interior temperature due to such reasons by using the thermostat.



Figures in this user manual are schematic and may not match the product exactly. If the subject parts are not included in the product you have purchased, then those parts are valid for other models.

Operating the product

Cooling

Food storage

The fridge compartment is for the short-term storage of fresh food and drinks.

Store milk products in the intended compartment in the cooler/freezer.

Bottles can be stored in the bottle holder or in the bottle shelf of the door.

Raw meat is best kept in a polyethylene bag in the compartment at the very bottom of the cooler/freezer.

Allow hot foods and beverages to cool to room temperature prior to placing them in the cooler/freezer.

- Attention

Store concentrated alcohol only standing upright and tightly closed.

- Attention

Do not store explosive substances or containers with flammable propellant gases (canned cream, spray cans etc.) in the freezer. There is a danger of explosion.

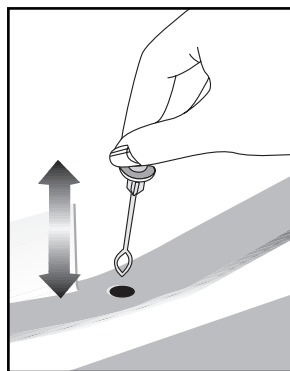
Placing the food

Egg tray	Egg
Fridge compartment shelves	Food in pans, covered plates and closed containers
Fridge compartment door shelves	Small and packaged food or drinks (such as milk, fruit juice and beer)
Crisper	Vegetables and fruits

Defrosting of the appliance

The appliance defrosts automatically.

Check regularly to see if the drain pipe is clogged or not and clear it with the stick in the hole when necessary.



Operating the product

5.1. Freezing fresh food

- It must be preferred to wrap or cover the food before placing them in the refrigerator.
- Hot food must cool down to the room temperature before putting them in the refrigerator.
- The foodstuff that you want to freeze must be fresh and in good quality.
- Foodstuff must be divided into portions according to the family's daily or meal based consumption needs.
- The foodstuff must be packaged in an airtight manner to prevent them from drying even if they are going to be kept for a short time.
- Materials to be used for packaging must be tear-proof and resistant to cold, humidity, odor, oils and acids and they must also be airtight. Moreover, they must be well closed and they must be made from easy-to-use materials that are suitable for deep freeze usage.
- Frozen food must be used immediately after they are thawed and they should never be re-frozen.
- Please observe the following instructions to obtain the best results.

1. Do not freeze too large quantities of food at one time. The quality of the food is best preserved when it is frozen right through to the core as quickly as possible.

2. Placing warm food into the freezer compartment causes the cooling system to operate continuously until the food is frozen solid.

3. Take special care not to mix already frozen food and fresh food.

5.2. Recommendations for preservation of frozen food

- Prepacked commercially frozen food should be stored in accordance with the frozen food manufacturer's instructions for a  (4 star) frozen food storage compartment.
- To ensure that the high quality achieved by the frozen food manufacturer and the food retailer is maintained, the following should be remembered:
 - 1.** Put packages in the freezer as quickly as possible after purchase.
 - 2.** Ensure that contents are labeled and dated.
 - 3.** Do not exceed "Use By", "Best Before" dates on the packaging.

Defrosting

The freezer compartment defrosts automatically.

5.3. Placing the food

Freezer compartment shelves	Various frozen food such as meat, fish, ice cream, vegetables and etc.
Egg tray	Egg
Fridge compartment shelves	Food in pans, covered plates and closed containers
Fridge compartment door shelves	Small and packaged food or drinks (such as milk, fruit juice and beer)

Operating the product

Crisper	Vegetables and fruits
Freshzone compartment	Delicatessen products (cheese, butter, salami and etc.)

5.4. Deep-freeze information

Food must be frozen as rapidly as possible when they are put in a refrigerator in order to keep them in good quality.

It is possible to keep the food for a long time only at -18°C or lower temperatures.

You can keep the freshness of food for many months (at -18°C or lower temperatures in the deep freeze).

WARNING!

- Foodstuff must be divided into portions according to the family's daily or meal based consumption needs.
- Foodstuff must be packaged in an airtight manner to prevent them from drying even if they are going to be kept for a short time.
- Materials necessary for packaging:
- Cold resistant adhesive tape
- Self adhesive label
- Rubber rings
- Pen

Materials to be used for packaging the foodstuff must be tear-proof and resistant to cold, humidity, odor, oils and acids.

Foodstuff to be frozen should not be allowed to come in contact with the previously frozen items to prevent their partial thawing.

Frozen food must be used immediately after they are thawed and they should never be re-frozen.

5.5. Open door warning

An audio warning will be given when the fridge or freezer compartment door of your product is left open for a certain period of time. This audio warning signal will mute when any button on the indicator is pressed or when the door is closed.

5.6. Changing the illumination lamp

To change the Bulb/LED used for illumination of your refrigerator, call your AuthorisedService.

The lamp(s) used in this appliance is not suitable for household room illumination. The intended purpose of this lamp is to assist the user to place foodstuffs in the refrigerator/freezer in a safe and comfortable way.

The lamps used in this appliance have to withstand extreme physical conditions such as temperatures below -20 °C.

(only chest and upright freezer)

5.9 Deodoriser Module (FreshGuard)

The deodoriser module quickly eliminates the bad smells in your refrigerator before they permeate the surfaces. Thanks to this module, which is placed on the ceiling of the fresh food compartment, the bad odours dissolve while the air is actively being passed on the odour filter, then the air that has been cleaned by the filter is re-emitted to the fresh food compartment. This way, the unwanted odours that may emerge during the storage of foods in the refrigerator are eliminated before they permeate the surfaces.

This is achieved thanks to the fan, LED and the odour filter integrated into the module. In daily use, the deodoriser module will turn on automatically on a periodic basis. To maintain efficient performance, it is recommended to have the filter in the deodoriser module by the authorised service provider every 5 years. Due to the fan integrated into the module, the noise you will hear during operation is normal. If you open the door of the fresh food compartment while the module is active, the fan will pause temporarily and resume where it has left off after some time the door is closed again. In case of power failure, the deodoriser module will resume where it has left off in the total operation duration once the power is back.

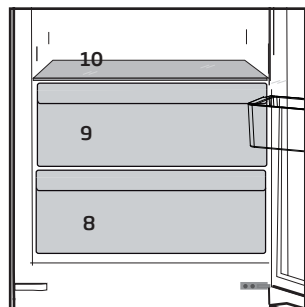
Info: It is recommended to store aromatic foods (such as cheese, olives and delicatessen foods) in their packaging and sealed to avoid bad odours that may result when smells of various foods get mixed. Besides, it is recommended to take spoiled foods out of the refrigerator quickly to prevent the other foods from getting spoiled and

avoid bad odours.

Operating the product

5.10 The dairy (cold storage) compartment

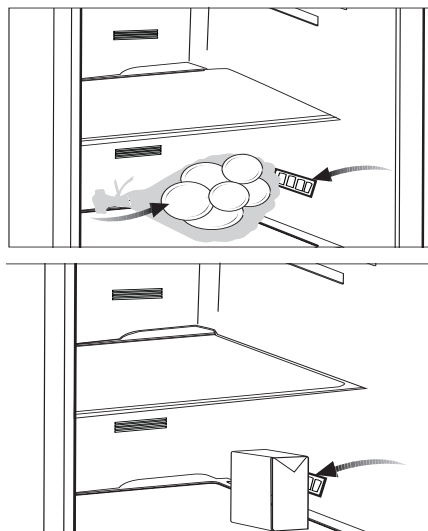
Provides lower temperature than the refrigerator compartment. Use this compartment to store delicatessen (salami, sausages, dairy products and etc.) that requires lower storage temperature or meat, chicken or fish products for immediate consumption. Do not store fruits and vegetables in this compartment.



5.11 Recommendations for freshfood compartment

***May not be available in all models**

- In case of multiple options are present glass shelves must be placed so that the air outlets at the backwall are not blocked, preferably air outlets are remaining below the glass shelf. This combination may help improving air distribution and energy efficiency.



Cleaning your fridge at regular intervals will extend the service life of the product.



WARNING:

Unplug the product before cleaning it.

- Never use gasoline, benzene or similar substances for cleaning purposes.
- Never use any sharp and abrasive tools, soap, household cleaners, detergent and wax polish for cleaning.
- For non-No Frost products, water drops and frosting up to a fingerbreadth occur on the rear wall of the Fridge compartment. Do not clean it; never apply oil or similar agents on it.
- Only use slightly damp microfiber cloths to clean the outer surface of the product. Sponges and other types of cleaning cloths may scratch the surface
- Dissolve one teaspoon of bi-carbonate in half litre of water. Soak a cloth with the solution and wrung it thoroughly. Wipe the interior of the refrigerator with this cloth and the dry thoroughly.
- Make sure that no water enters the lamp housing and other electrical items.
- If you will not use the refrigerator for a long period of time, unplug it, remove all food inside, clean it and leave the door ajar.
- Check regularly that the door gaskets are clean. If not, clean them.
- To remove door and body shelves, remove all of its contents.
- Remove the door shelves by pulling them up. After cleaning, slide them from top to bottom to install.
- Never use cleaning agents or water that contain chlorine to clean the outer

surfaces and chromium coated parts of the product. Chlorine causes corrosion on such metal surfaces.

6.1 Avoiding bad odours

- Materials that may cause odour are not used in the production of our refrigerators. However, due to inappropriate food preserving conditions and not cleaning the inner surface of the refrigerator as required can bring forth the problem of odour. Pay attention to following to avoid this problem:
- Keeping the refrigerator clean is important. Food residuals, stains, etc. can cause odour. Therefore, clean the refrigerator with bi-carbonate dissolved in water every few months. Never use detergents or soap.
- Keep the food in closed containers. Microorganisms spreading out from uncovered containers can cause unpleasant odours.
- Never keep the food that have passed best before dates and spoiled in the refrigerator.

6.2 Protecting the plastic surfaces

Do not put liquid oils or oil-cooked meals in your refrigerator in unsealed containers as they damage the plastic surfaces of the refrigerator. If oil is spilled or smeared onto the plastic surfaces, clean and rinse the relevant part of the surface at once with warm water.

7 Troubleshooting

Check this list before contacting the service. Doing so will save you time and money. This list includes frequent complaints that are not related to faulty workmanship or materials. Certain features mentioned herein may not apply to your product.

The refrigerator is not working.

- The power plug is not fully settled. >>> Plug it in to settle completely into the socket.
- The fuse connected to the socket powering the product or the main fuse is blown. >>> Check the fuses.

Condensation on the side wall of the cooler compartment (MULTI ZONE, COOL, CONTROL and FLEXI ZONE).

- The door is opened too frequently >>> Take care not to open the product's door too frequently.
- The environment is too humid. >>> Do not install the product in humid environments.
- Foods containing liquids are kept in unsealed holders. >>> Keep the foods containing liquids in sealed holders.
- The product's door is left open. >>> Do not keep the product's door open for long periods.
- The thermostat is set to too low temperature. >>> Set the thermostat to appropriate temperature.

Compressor is not working.

- In case of sudden power failure or pulling the power plug off and putting back on, the gas pressure in the product's cooling system is not balanced, which triggers the compressor thermic safeguard. The product will restart after approximately 6 minutes. If the product does not restart after this period, contact the service.

- Defrosting is active. >>> This is normal for a fully-automatic defrosting product. The defrosting is carried out periodically.
- The product is not plugged in. >>> Make sure the power cord is plugged in.
- The temperature setting is incorrect. >>> Select the appropriate temperature setting.
- The power is out. >>> The product will continue to operate normally once the power is restored.

The refrigerator's operating noise is increasing while in use.

- The product's operating performance may vary depending on the ambient temperature variations. This is normal and not a malfunction.

The refrigerator runs too often or for too long.

- The new product may be larger than the previous one. Larger products will run for longer periods.
- The room temperature may be high. >>> The product will normally run for long periods in higher room temperature.
- The product may have been recently plugged in or a new food item is placed inside. >>> The product will take longer to reach the set temperature when recently plugged in or a new food item is placed inside. This is normal.
- Large quantities of hot food may have been recently placed into the product. >>> Do not place hot food into the product.
- The doors were opened frequently or kept open for long periods. >>> The warm air moving inside will cause the product to run longer. Do not open the doors too frequently.

Troubleshooting

- The freezer or cooler door may be ajar. >>> Check that the doors are fully closed.
- The product may be set to temperature too low. >>> Set the temperature to a higher degree and wait for the product to reach the adjusted temperature.
- The cooler or freezer door washer may be dirty, worn out, broken or not properly settled. >>> Clean or replace the washer. Damaged / torn door washer will cause the product to run for longer periods to preserve the current temperature.
- The sufficient level by changing the temperature of cooler or freezer compartments.
- The doors were opened frequently or kept open for long periods. >>> Do not open the doors too frequently.
- The door may be ajar. >>> Fully close the door.
- The product may have been recently plugged in or a new food item is placed inside. >>> This is normal. The product will take longer to reach the set temperature when recently plugged in or a new food item is placed inside.
- Large quantities of hot food may have been recently placed into the product. >>> Do not place hot food into the product.

The freezer temperature is very low, but the cooler temperature is adequate.

- The freezer compartment temperature is set to a very low degree. >>> Set the freezer compartment temperature to a higher degree and check again.

The cooler temperature is very low, but the freezer temperature is adequate.

- The cooler compartment temperature is set to a very low degree. >>> Set the freezer compartment temperature to a higher degree and check again.

The food items kept in cooler compartment drawers are frozen.

- The cooler compartment temperature is set to a very low degree. >>> Set the freezer compartment temperature to a higher degree and check again.

The temperature in the cooler or the freezer is too high.

- The cooler compartment temperature is set to a very high degree. >>> Temperature setting of the cooler compartment has an effect on the temperature in the freezer compartment. Wait until the temperature of relevant parts reach

Shaking or noise.

- The ground is not level or durable. >>> If the product is shaking when moved slowly, adjust the stands to balance the product. Also make sure the ground is sufficiently durable to bear the product.
- Any items placed on the product may cause noise. >>> Remove any items placed on the product.

The product is making noise of liquid flowing, spraying etc.

- The product's operating principles involve liquid and gas flows. >>> This is normal and not a malfunction.

There is sound of wind blowing coming from the product.

- The product uses a fan for the cooling process. This is normal and not a malfunction.

Troubleshooting

There is condensation on the product's internal walls.

- Hot or humid weather will increase icing and condensation. This is normal and not a malfunction.
- The doors were opened frequently or kept open for long periods. >>> Do not open the doors too frequently; if open, close the door.
- The door may be ajar. >>> Fully close the door.

There is condensation on the product's exterior or between the doors.

- The ambient weather may be humid, this is quite normal in humid weather. >>> The condensation will dissipate when the humidity is reduced.

The interior smells bad.

- The product is not cleaned regularly. >>> Clean the interior regularly using sponge, warm water and carbonated water.
- Certain holders and packaging materials may cause odour. >>> Use holders and packaging materials without free of odour.
- The foods were placed in unsealed holders. >>> Keep the foods in sealed holders. Micro-organisms may spread out of unsealed food items and cause malodour. Remove any expired or spoilt foods from the product.

The door is not closing.

- Food packages may be blocking the door. >>> Relocate any items blocking the doors.
- The product is not standing in full upright position on the ground. >>> Adjust the stands to balance the product.

- The ground is not level or durable. >>> Make sure the ground is level and sufficiently durable to bear the product.

The vegetable bin is jammed.

- The food items may be in contact with the upper section of the drawer. >>> Reorganize the food items in the drawer.

If The Surface Of The Product Is Hot.

- High temperatures may be observed between the two doors, on the side panels and at the rear grill while the product is operating. This is normal and does not require service maintenance! Be careful when touching these areas.



WARNING:

If the problem persists after following the instructions in this section, contact your vendor or an Authorised Service. Do not try to repair the product.

DISCLAIMER / WARNING

Some (simple) failures can be adequately handled by the end-user without any safety issue or unsafe use arising, provided that they are carried out within the limits and in accordance with the following instructions (see the "Self-Repair" section).

Therefore, unless otherwise authorized in the "Self-Repair" section below, repairs shall be addressed to registered professional repairers in order to avoid safety issues. A registered professional repairer is a professional repairer that has been granted access to the instructions and spare parts list of this product by the manufacturer according to the methods described in legislative acts pursuant to Directive 2009/125/EC.

However, only the service agent (i.e. authorized professional repairers) that you can reach through the phone number given in the user manual/warranty card or through your authorized dealer may provide service under the guarantee terms. Therefore, please be advised that repairs by professional repairers (who are not authorized by Beko) shall void the guarantee.

Self-Repair

Self-repair can be done by the end-user with regard to the following spare parts: door handles, door hinges, trays, baskets and door gaskets (an updated list is also available in support.beko.com as of 1st March 2021).

Moreover, to ensure product safety and to prevent risk of serious injury, the mentioned self-repair shall be done following the instructions in the user manual for self-repair or which are available in support.beko.com. For your safety, unplug the product before attempting any self-repair.

Repair and repair attempts by end-users for parts not included in such list and/or not following the instructions in the user manuals for self-repair or which are available in support.beko.com, might give rise to safety issues not attributable to Beko, and will void the warranty of the product.

Therefore, it is highly recommended that end-users refrain from the attempt to carry out repairs falling outside the mentioned list of spare parts, contacting in such cases authorized professional repairers or registered professional repairers. On the contrary, such attempts by end-users may cause safety issues and damage the product and subsequently cause fire, flood, electrocution and serious personal injury to occur.

By way of example, but not limited to, the following repairs must be addressed to authorized professional repairers or registered professional repairers: compressor, cooling circuit, main board, inverter board, display board, etc.

The manufacturer/seller cannot be held liable in any case where end-users do not comply with the above.

The spare part availability of the refrigerator that you purchased is 10 years.

During this period, original spare parts will be available to operate the refrigerator properly. The minimum duration of guarantee of the refrigerator that you purchased is 24 months.

This product is equipped with a lighting source of the "G" energy class.

The lighting source in this product shall only be replaced by professional repairers.

Sehr geehrter Kunde,

Wir möchten Ihnen eine optimale Effizienz Ihres Produkts bieten, welches in modernen Betrieben mit akribischen Qualitätskontrollen hergestellt wurde.

Hierzu bitten wir Sie die Bedienungsanleitung vollständig und gründlich durchzulesen und das Handbuch als Referenzquelle aufzubewahren. Wenn Sie das Produkt wiederum an eine andere Person weitergeben, geben Sie auch dieses Handbuch zusammen mit dem Produkt weiter.

Das Benutzerhandbuch gewährleistet die schnelle und sichere Anwendung des Produkts.

- Vor der Installation und Anwendung des Produkts, lesen Sie bitte diese Bedienungsanleitung sorgfältig durch.
- Beachten Sie auf alle Fälle die Anleitung im Zusammenhang mit der Sicherheit.
- Da Sie diese Bedienungsanleitung auch in der Zukunft benötigen werden, sollte es leicht zugänglich aufbewahrt werden.
- Lesen Sie auch die, mit dem Produkt mitgelieferten, sonstigen Belege durch.






Beachten Sie, dass diese Anleitung für mehrere Produktmodelle anwendbar ist. Differenzen zwischen den Modellen sind eindeutig aufgeführt.

Symbole und Erläuterungen

In dieser Bedienungsanleitung befinden sich folgende Symbole:

	Wichtige Informationen oder hilfreiche Tipps.
	Risiken für Gesundheit und Produkt.
	Stromschlagrisiko.
	Verpackung des Produktes, produziert aus wiederverwertbarem Materialien entsprechend der nationalen Umweltschutzgesetze.

ANGABEN

 ENERGY 		Die Modellinformationen, wie sie in der Produktdatenbank gespeichert sind, können durch Eingabe der folgenden Webseite und Suche nach Ihrer Modellkennung (*) auf dem Energieetikett erreicht werden. https://eprel.ec.europa.eu/
SUPPLIER'S NAME 	MODEL IDENTIFIER 	

1 Hinweise zu Sicherheit und Umwelt **4**

- 1.1 Allgemeine Sicherheitshinweise 4
 - 1.1.1 Wichtige Hinweise zum Kältemittel 6
 - 1.1.2 Modelle mit Wasserspender 6
- 1.2 Bestimmungsgemäßer Einsatz 7
- 1.3 Sicherheit von Kindern 7
- 1.4 Einhaltung von WEEE-Vorgaben und Altgeräteentsorgung 7
- 1.5 Einhaltung von RoHS-Vorgaben 7
- 1.6 Hinweise zur Verpackung 8

2 Ihr Kühlschrank/ Gefrierschrank **9**

3 Installation **10**

- 3.1. Wenn Sie den Kühlschrank versetzen möchten: 10
- 3.2. Vor dem Einschalten 10
- 3.3 Kunststoffkeile anbringen 10
- 3.4 Elektrischer Anschluss 11
- 3.5 Verpackungsmaterialien entsorgen 11
- 3.6 Altgeräte entsorgen 11
- 3.7 Aufstellung und Installation 11
- 3.8 FüÙe einstellen 12

4 Vorbereitung **13**

- 4.1 Tipps zum Energiesparen 13
- 4.2 Erste Inbetriebnahme 14

5 So bedienen Sie Ihren Kühlschrank **16**

- 5.1. Kühlen 17
- 5.2. Lebensmittel einlagern 17
- 5.3. Doppeltes Kühlsystem: 18
- 5.4. Frische Lebensmittel tiefkühlen .. 18
- 5.5. Empfehlungen zur Konservierung von gefrorenen Lebensmitteln 18
- 5.6. Lebensmittel einlagern 19
- 5.7. Hinweise zum Tiefkühlen 19
- 5.8. Wechseln des Türanschlags 20
- 5.9. Tür-offen-Warnung 20
- 5.10. Empfehlungen zum Kühlbereich 21
- 5.11. Beleuchtung auswechseln 21
- 5.12 Geruchvernichtungsmodul 21
- 5.13 Der Milchbehälter (Kühlagerung) 22

6 Pflege und Reinigung **23**

7 Problemlösung **24**

Dieser Abschnitt bietet die zur Vermeidung von Verletzungen und Materialschäden erforderlichen Sicherheitsanweisungen. Bei Nichtbeachtung dieser Anweisungen erlöschen jegliche Garantieansprüche. Bestimmungsgemäßer Einsatz

ACHTUNG:

Stellen Sie sicher, dass die Entlüftungsöffnungen am Aufstellort des Gerätes nicht blockiert sind.

ACHTUNG:

Um den Auftauvorgang zu beschleunigen, keine anderen mechanischen Geräte oder Geräte verwenden, die nicht vom Hersteller empfohlen sind.

ACHTUNG:

Dem Kühlmittelkreislauf keine Schäden zufügen.

ACHTUNG:

In den Lebensmittelaufbewahrungsfächern keine Geräte verwenden, die nicht vom Hersteller empfohlen sind.



Dieses Gerät ist für die private Nutzung oder für den Gebrauch bei folgenden ähnliche Anwendungen konzipiert worden

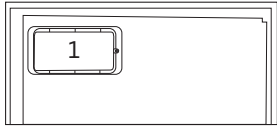
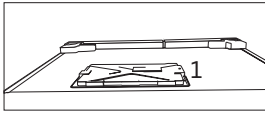
- In Personalküchen in Geschäften, Büros und anderen Arbeitsumgebungen;
- In Bauernhöfen, Hotels, Motels und anderen Unterkünften, für den Gebrauch der Kunden;
- Umgebungen mit Übernachtung und Frühstück;
- Bei Catering und ähnliche Non-Retail-Anwendungen.

1.1 Allgemeine Sicherheitshinweise

- Dieses Produkt darf nicht von Personen mit körperlichen, sensorischen oder mentalen Einschränkungen, einem Mangel an Erfahrung und Wissen oder von Kindern verwendet werden. Das Gerät darf nur dann von solchen Personen benutzt werden, wenn diese von einer für ihre Sicherheit verantwortlichen Person beaufsichtigt werden oder angeleitet worden. Kinder dürfen nicht mit diesem Gerät spielen.
- Ziehen Sie bei Fehlfunktionen den Netzstecker des Gerätes.
- Warten Sie nach Ziehen des Netzsteckers mindestens 5 Minuten, bevor Sie ihn wieder anschließen.
- Ziehen Sie den Netzstecker, wenn Sie das Gerät nicht nutzen.
- Berühren Sie den Netzstecker niemals mit feuchten oder gar nassen Händen. Ziehen Sie beim Trennen niemals am Kabel, greifen Sie immer am Stecker.
- Wischen Sie den Netzstecker vor dem Einstecken mit einem trockenen Tuch ab.
- Schließen Sie den Kühlschrank nicht an lose Steckdosen an.
- Das Gerät muss bei Aufstellung, Wartungsarbeiten, Reinigung und bei Reparaturen vollständig vom Stromnetz getrennt werden.
- Falls das Produkt längere Zeit nicht benutzt wird, ziehen Sie den Netzstecker und nehmen Sie sämtliche Lebensmittel aus dem Kühlschrank.
- Verwenden Sie das Produkt nicht, wenn das Fach mit Leiterplatten im

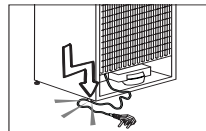
Sicherheits- und Umweltschutzanweisungen

unteren hinteren Bereich des Gerätes (Abdeckung des Fachs mit der elektrischen Karte) (1) geöffnet ist.



- Benutzen Sie keine Dampfreiniger oder ähnliche Gerätschaften zum Reinigen oder Abtauen Ihres Gerätes. Der Dampf kann in Bereiche eindringen, die unter Spannung stehen. Kurzschlüsse oder Stromschläge können die Folge sein!
- Lassen Sie niemals Wasser direkt auf das Gerät gelangen; auch nicht zum Reinigen! Es besteht Stromschlaggefahr!
- Verwenden Sie das Produkt bei Fehlfunktionen nicht; es besteht Stromschlaggefahr! Wenden Sie sich als erstes an den autorisierten Kundendienst.
- Stecken Sie den Netzstecker des Gerätes in eine geerdete Steckdose. Die Erdung muss durch einen qualifizierten Elektriker vorgenommen werden.
- Falls das Gerät über eine LED-Beleuchtung verfügt, wenden Sie sich zum Auswechseln sowie im Falle von Problemen an den autorisierten Kundendienst.
- Berühren Sie gefrorene Lebensmittel nicht mit feuchten Händen! Sie können an Ihren Händen festfrieren!
- Geben Sie keine Flüssigkeiten in Flaschen oder Dosen in den Tiefkühlbereich. Sie können platzen!

- Geben Sie Flüssigkeiten in aufrechter Position in den Kühlschrank; zuvor den Deckel sicher verschließen.
- Sprühen Sie keine entflammaren Substanzen in die Nähe des Gerätes, da sie Feuer fangen oder explodieren könnten.
- Bewahren Sie keine entflammaren Materialien oder Produkte mit entflammaren Gasen (Sprays etc.) im Kühlschrank auf.
- Stellen Sie keine mit Flüssigkeiten gefüllten Behälter (z. B. Vasen) auf dem Gerät ab. Falls Wasser oder andere Flüssigkeiten an unter Spannung stehende Teile gelangen, kann es zu Stromschlägen oder Bränden kommen.
- Setzen Sie das Gerät keinem Regen, Schnee, direkten Sonnenlicht oder Wind aus; dies kann die elektrische Sicherheit gefährden. Verschieben Sie das Gerät nicht durch Ziehen an den Türgriffen. Die Griffe könnten sich lösen.
- Achten Sie darauf, dass weder Ihre Hände noch andere Körperteile von beweglichen Teilen im Inneren des Gerätes eingeklemmt oder gequetscht werden.
- Achten Sie darauf, nicht auf die Tür, Schubladen oder ähnliche Teile des Kühlschranks zu treten; lehnen Sie sich nicht daran. Andernfalls könnte das Gerät umkippen, Teile könnten beschädigt werden.
- Achten Sie darauf, das Netzkabel nicht einzuklemmen.



Sicherheits- und Umweltschutzanweisungen

- Ihr Side by Side Kühl-Gefrierkombination benötigt einen Festwasseranschluss. Sollte kein Wasserhahn in der Umgebung des Gerätes verfügbar sein und Sie müssen ihn nachträglich durch einen Fachmann installieren lassen, beachten Sie bitte, dass bei Fußbodenheizungen keine Löcher in die Betondecke gebohrt werden können, da ansonsten die Heizungsanlage beschädigt werden kann.
- Kinder im Alter von 3 bis 8 Jahren dürfen Kühlgeräte ein- und ausräumen.
- Vermeiden Sie durch Einhaltung der folgenden Anweisungen Lebensmittelkontamination:
 - Durch langes Öffnen der Tür kann die Temperatur in den Fächern des Gerätes drastisch ansteigen.
 - Reinigen Sie die Oberflächen, die mit Lebensmitteln in Berührung kommen, sowie zugängliche Ableitungssysteme regelmäßig.
 - Reinigen Sie Wassertanks, wenn diese 48 Stunden lang nicht benutzt wurden; spülen Sie das an die Wasserversorgung angeschlossene Wassersystem durch, falls 5 Tage lang kein Wasser entnommen wurde.
- Bewahren Sie rohes Fleisch und Fisch in geeigneten Behältern im Kühlschrank auf, damit diese nicht mit anderen
- Lebensmitteln in Berührung kommen.
- Zwei-Sterne-Gefrierfächer eignen sich zur Aufbewahrung von Tiefkühlkost, zur Lagerung oder Herstellung von Speiseeis und zur Herstellung von Eiswürfeln.
- Ein-, Zwei- und Drei-Sterne-Fächer eignen sich nicht zum Einfrieren frischer Lebensmittel.
- Falls das Kühlgerät lange Zeit leer bleibt, sollten Sie es abschalten, abtauen, reinigen, trocknen und die
- Tür geöffnet lassen, damit sich kein Schimmel im Gerät bildet.
- Achten Sie beim Aufstellen des Gerätes darauf, dass das Netzkabel nicht eingeklemmt oder anderweitig beschädigt wird.
- Platzieren Sie nicht mehrere Mehrfachsteckdosen oder Netzteile hinter dem Gerät.

1.1.1 Wichtige Hinweise zum Kältemittel

Wenn das Gerät über ein Kühlsystem mit R600a-Gas verfügt, achten Sie darauf, das Kühlsystem und den dazugehörigen Schlauch während der Benutzung und des Transports nicht zu beschädigen. Dieses Gas ist leicht entflammbar. Bei Beschädigungen des Kühlsystems halten Sie das Gerät von potenziellen Zündquellen (z. B. offenen Flammen) fern und sorgen für eine gute Belüftung des Raumes.



Das Typenschild an der linken Innenwand des Kühlschranks gibt die Art des im Gerät verwendeten Gases an.

1.1.2 Modelle mit Wasserspender

- Der Druck für die Kaltwasserzufuhr sollte maximal 90 psi (620kPa) betragen. Wenn der Wasserdruck in Ihrem Haushalt 80 psi (550 kPa) übersteigt, verwenden Sie bitte ein Druckbegrenzungsventil in Ihrem Leitungssystem. Sollten Sie nicht wissen, wie der Wasserdruck

Sicherheits- und Umweltschutzanweisungen

gemessen wird, ziehen Sie bitte einen Fachinstallateur hinzu.

- Sollte für Ihr Leitungssystem das Risiko eines Wasserschlags (Druckstoß) bestehen, verwenden Sie stets eine geeignete Druckstoßsicherung. Wenden Sie sich bitte an einen Fachinstallateur, falls Sie sich über die Wasserschlaggefährdung in Ihrem Leitungssystem nicht sicher sein sollten.
- Nutzen Sie niemals die Warmwasserzufuhr für den Einbau. Treffen Sie geeignete Vorsichtsmaßnahmen zum Schutz der Leitungen gegen mögliches Einfrieren. Die für den Betrieb zulässige Wassertemperatur liegt im Bereich von mindestens 0,6°C (33°F) bis hin zu maximal 38°C (100°F).
- Nutzen Sie ausschließlich Trinkwasser.

1.2 Bestimmungsgemäßer Einsatz

- Dieses Gerät ist für den Einsatz im Haushalt vorgesehen. Er eignet sich nicht zum kommerziellen Einsatz.
- Das Produkt sollte ausschließlich zum Lagern von Lebensmitteln und Getränken verwendet werden.
- Bewahren Sie keine empfindlichen Produkte, die kontrollierte Temperaturen erfordern (z. B. Impfstoffe, wärmeempfindliche Medikamente, Sanitätsartikel etc.) im Kühlschrank auf.
- Der Hersteller haftet nicht für jegliche Schäden, die durch Missbrauch oder falsche Handhabung entstehen.
- Originalersatzteile stehen für einen Zeitraum von 10 Jahre beginnend mit dem Kaufdatum zur Verfügung.

1.3 Sicherheit von Kindern

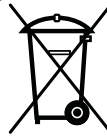
Bewahren Sie Verpackungsmaterialien außerhalb der Reichweite von Kindern auf.

Lassen Sie Kinder nicht mit dem Gerät spielen.

Falls das Gerät mit einer abschließbaren Tür ausgestattet ist, bewahren Sie den Schlüssel außerhalb der Reichweite von Kindern auf.

1.4 Einhaltung von WEEE-Vorgaben und Altgeräteentsorgung

Dieses Gerät erfüllt die Vorgaben der EU-WEEE-Direktive (2012/19/EU). Das Gerät wurde mit einem Klassifizierungssymbol für elektrische und elektronische Altgeräte (WEEE) gekennzeichnet.



Dieses Gerät wurde aus hochwertigen Materialien hergestellt, die wiederverwendet und recycelt werden können.

Entsorgen Sie das Gerät am Ende seiner Einsatzzeit nicht mit dem regulären Hausmüll. Bringen Sie das Gerät zu einer Sammelstelle zum Recycling von elektrischen und elektronischen Geräten.

Ihre Stadtverwaltung informiert Sie gerne über geeignete Sammelstellen in Ihrer Nähe.

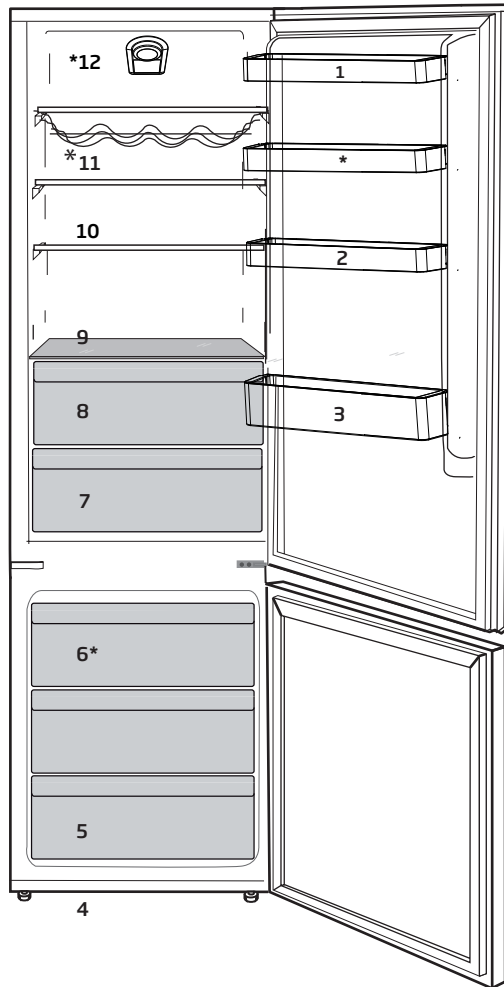
1.5 Einhaltung von RoHS-Vorgaben

- Dieses Gerät erfüllt die Vorgaben der EU-WEEE-Direktive (2011/65/EU). Es enthält keine in der Direktive angegebenen gefährlichen und unzulässigen Materialien.

1.6 Hinweise zur Verpackung

- Die Verpackungsmaterialien des Gerätes worden gemäß nationalen Umweltschutzbestimmungen aus recyclingfähigen Materialien hergestellt. Entsorgen Sie Verpackungsmaterialien nicht mit dem regulären Hausmüll oder anderen Abfällen. Bringen Sie Verpackungsmaterialien zu geeigneten Sammelstellen; Ihre Stadtverwaltung berät Sie gern.

2 Ihr Kühlschrank/Gefrierschrank



- | | |
|----------------------|------------------------------------|
| 1. Türablage | 7. Gemüsefächer |
| 2. Eierhalter | 8. Der Milchbehälter (Kühlagerung) |
| 3. Flaschenablage | 9. Gemüsefachabdeckung |
| 4. Einstellbare Füße | 10. Türablage |
| 5. Tiefkühlbereich | 11. Weinkeller |
| 6. Lüfter | 12. Bedienfeld |

***Möglicherweise nicht für alle Modelle verfügbar**



Abbildungen und Angaben in dieser Anleitung sind schematisch und können etwas von Ihrem Produkt abweichen. Wenn die Teile nicht im gekauften Produkt enthalten sind, gelten sie für andere Modelle.

3 Installation



HINWEIS:

Der Hersteller haftet nicht, falls die Angaben in dieser Anleitung nicht berücksichtigt werden.

3.1. Wenn Sie den Kühlschrank versetzen möchten:

1. Ziehen Sie zuvor den Netzstecker. Der Kühlschrank sollte geleert und gesäubert werden, bevor Sie ihn transportieren oder versetzen.
2. Sichern Sie die beweglichen Teile im Inneren (z. B. Ablagen, Zubehör, Gemüsefach etc.) vor dem Verpacken mit Klebeband, schützen Sie solche Teile vor Stößen. Umwickeln Sie die Verpackung mit kräftigem Klebeband oder stabilen Schnüren, beachten Sie die Transporthinweise auf der Verpackung.
3. Originalverpackung und Schaumstoffmaterialien sollten zum zukünftigen Transport des Gerätes aufbewahrt werden.

3.2. Vor dem Einschalten

Beachten Sie Folgendes, bevor Sie Ihren Kühlschrank benutzen:

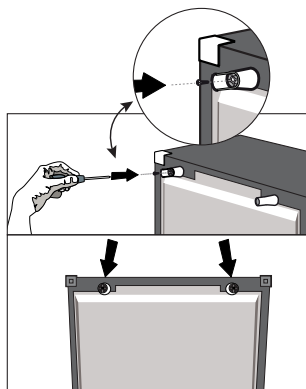
1. Reinigen Sie das Innere des Kühlschranks wie im Abschnitt „Wartung und Reinigung“ beschrieben.
2. Schließen Sie den Netzstecker des Kühlschranks an eine Steckdose an. Beim Öffnen der Tür leuchtet die Innenbeleuchtung auf.
3. Beim Anspringen des Kompressors sind Geräusche zu hören. Die Flüssigkeiten und Gase im Kühlsystem können auch leichte Geräusche erzeugen, wenn der Kompressor nicht läuft. Dies ist völlig normal.

4. Die Vorderkanten des Kühlgerätes können sich warm anfühlen. Dies ist normal. Diese Bereiche wärmen sich etwas auf, damit sich kein Kondenswasser bildet.

3.3 Kunststoffkeile anbringen

Sorgen Sie zur Gewährleistung einer angemessenen Luftzirkulation mit Hilfe der mitgelieferten Kunststoffkeile für genügend Platz zwischen dem Gerät und der Wand.

1. Zur Befestigung der Keile entfernen Sie die Schrauben am Produkt und verwenden die mit den Keilen gelieferten Schrauben.
2. Befestigen Sie die beiden Kunststoffkeile wie in der Abbildung gezeigt an der Abdeckung der Belüftungsöffnungen.



3.4 Elektrischer Anschluss

Schließen Sie das Gerät an eine geerdete (Schuko-) Steckdose an. Diese Steckdose muss mit einer passenden Sicherung abgesichert werden.

Wichtig:

- Der Anschluss muss gemäß lokaler Vorschriften erfolgen.
- Der Netzstecker muss nach der Installation frei zugänglich bleiben.
- Die elektrische Sicherheit des Gerätes ist nur dann gewährleistet, wenn das hausinterne Erdungssystem den zutreffenden Normen entspricht.
- Die auf dem Typenschild an der linken Innenwand des Gerätes angegebene Spannung muss mit Ihrer Netzspannung übereinstimmen.
- **Zum Anschluss dürfen keine Verlängerungskabel oder Mehrfachsteckdosen verwendet werden.**



HINWEIS:

Ein beschädigtes Netzkabel muss unverzüglich durch einen qualifizierten Elektriker ausgetauscht werden.



HINWEIS: Das Gerät darf vor Abschluss der Reparaturen nicht mehr betrieben werden! Es besteht Stromschlaggefahr!

3.5 Verpackungsmaterialien entsorgen

Das Verpackungsmaterial kann eine Gefahr für Kinder darstellen. Halten Sie Verpackungsmaterialien von Kindern fern oder entsorgen Sie das Verpackungsmaterial gemäß gültigen

Entsorgungsbestimmungen. Entsorgen Sie das Verpackungsmaterial über geeignete Sammelstellen (Ihre Stadtverwaltung informiert Sie gerne), nicht über den regulären Hausmüll.

Die Verpackung Ihres Gerätes wurde aus recyclingfähigen Materialien hergestellt.

3.6 Altgeräte entsorgen

Entsorgen Sie Altgeräte auf umweltfreundliche Weise.

- Bei Fragen zur richtigen Entsorgung wenden Sie sich bitte an Ihren Händler, an eine Sammelstelle oder an Ihre Stadtverwaltung.

Bevor Sie das Gerät entsorgen, schneiden Sie den Netzstecker ab und machen die Türverschlüsse (sofern vorhanden) unbrauchbar, damit Kinder nicht in Gefahr gebracht werden.

3.7 Aufstellung und Installation



HINWEIS: Falls die Türbreite nicht breit genug ist, um das Gerät durchzuführen, heben Sie die Tür des Geräts aus und versuchen Sie es seitlich durch zuschieben; falls dies auch nicht funktioniert, wenden Sie sich an den Kundendienst.

1. Stellen Sie Ihren Kühlschrank an einer gut erreichbaren Stelle auf.
2. Platzieren Sie den Kühlschrank nicht in der Nähe von Wärmequellen oder dort, wo er Feuchtigkeit oder direktem Sonnenlicht ausgesetzt ist.
3. Damit das Gerät richtig arbeiten kann, müssen Sie ausreichend Platz um das Gerät herum freilassen, damit eine ordentliche Belüftung gewährleistet ist. Wenn Sie den Kühlschrank in

Installation

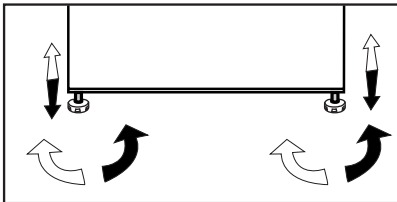
einer Nische aufstellen, müssen Sie einen Abstand von mindestens 5 cm zur Decke und 5 cm zu den Wänden einhalten. Stellen Sie das Gerät nicht auf Materialien wie Teppichen oder Teppichböden auf.

4. Stellen Sie Ihren Kühlschrank auf einem ebenen Untergrund auf, damit er nicht wackelt.

3.8 FüÙe einstellen

Wenn Ihr Kühlschrank nicht absolut gerade steht:

Sie können den Kühlschrank - wie in der Abbildung gezeigt - durch Drehen der FrontfüÙe ausbalancieren. Wenn Sie in Richtung des schwarzen Pfeils drehen, senkt sich die Ecke, an der sich der Fuß befindet. Beim Drehen in Gegenrichtung wird die Ecke angehoben. Diese Arbeit fällt erheblich leichter, wenn ein Helfer das Gerät etwas anhebt.



Achtung: Warnung vor heißen Oberflächen

Die Seitenwände Ihres Geräts sind mit Kühlmittleitungen für ein verbessertes Kühlsystem ausgestattet.

Kühlmittel mit hohen Temperaturen können in diesen Bereichen 2der Seitenwände fließen.

Das ist normal und erfordert keinerlei Reparatur oder Wartung.

Bitte seien Sie vorsichtig, wenn Sie diese Bereiche berühren.



4.1 Tipps zum Energiesparen



Der Anschluss des Gerätes an Energiesparsysteme birgt Risiken, da Schäden am Gerät auftreten können.

- Für ein freistehendes Gerät; „Dieses Kühlgerät darf nicht als Einbaugerät verwendet werden.
- Halten Sie die Kühlschrank/ Gefrierschrank- türen nur möglichst kurz geöffnet. Bei geöffneten Türen dringt warme Luft in den Kühl- oder Tiefkühlbereich ein, das Gerät braucht mehr Energie zum Kühlen der Lebensmittel.
- Geben Sie keine warmen Speisen oder Getränke in den Kühlschrank/ Gefrierschrank.
- Überladen Sie den Kühlschrank/ Gefrierschrank nicht. Die Kühlungsleistung nimmt ab, wenn die freie Luftzirkulation im Inneren behindert wird.
- Stellen Sie den Kühlschrank/ Gefrierschrank nicht im prallen Sonnenlicht auf. Stellen Sie das Gerät mindestens 30 cm von Wärmequellen wie Herden, Öfen, Zentralheizungen und ähnlichen Geräten entfernt auf.
- Achten Sie darauf, Ihre Lebensmittel in verschlossenen Behältern im Kühlschrank/ Gefrierschrank aufzubewahren.
- Für einen energieeffizienten Betrieb und die qualitätsgerechte Lagerung des Gefriergut sind stets die mit dem Gefrierschrank gelieferten Körbe/ Schübe zu verwenden.
- Ein direkter Kontakt des Gefrierguts mit dem Temperatursensor im Gefrierschrank kann zu einem erhöhten Energieverbrauch des Geräts führen. Daher muss solch ein


Kontakt mit einem oder mehreren Sensoren vermieden werden


- Wenn Sie die Ablagen oder Schubladen aus dem Tiefkühlbereich herausnehmen, können Sie das Volumen des Tiefkühlbereiches vollständig nutzen. Die angegebenen Energieverbrauchswerte Ihres Kühlschranks/ Gefrierschranks wurden unter maximaler Beladung bei rausgenommenen Ablagen oder Schubladen ermittelt. Ansonsten ist es Ihnen völlig freigestellt, mit Ausnahme der Klappe des oberen Fachs und der unteren Schublade die Ablagen oder Schubladen zu verwenden.
- Achten Sie darauf, dass das Tiefkühlflüster-Gitter nicht durch Lebensmittel blockiert wird.
- Bitte setzen Sie die beiden mitgelieferten Kühlakkus an den empfohlenen Stellen (siehe Abbildung) ein, wenn Sie Lebensmittel im Tiefkühlbereich lagern. Dadurch bleiben Ihre Lebensmittel auch länger gekühlt, falls der Strom ausfallen sollte oder Sie den Netzstecker des Gerätes ziehen. Die Temperaturanstiegszeit wurde mit Kühlakkus ermittelt.





Die Temperatur des Raumes, in dem der Kühlschrank/ Gefrierschrank aufgestellt wird, sollte mindestens -5 °C betragen. Im Hinblick auf den Wirkungsgrad ist der Betrieb des Kühlschrank/ Gefrierschranks bei geringerer Umgebungstemperatur nicht ratsam.


Vorbereitung

 Das Innere des Kühlschranks/ Gefrierschranks muss gründlich gereinigt werden.

 Falls zwei Kühlschränke nebeneinander aufgestellt werden sollen, achten Sie darauf, dass mindestens 4 cm Abstand zwischen den Geräten verbleibt.

 In solchen Fällen kommt es zu höherem Energieverbrauch und zu schlechterer Kühlungsleistung (und somit zu reduzierter Haltbarkeit der Lebensmittel).

 Sie hören ein Geräusch, wenn sich der Kompressor einschaltet. Die Flüssigkeiten und Gase im Kühlsystem können auch leichte Geräusche erzeugen, wenn der Kompressor nicht läuft. Dies ist völlig normal.

 Die Vorderkanten des Kühlschranks/ Gefrierschranks können sich warm anfühlen. Dies ist normal. Diese Bereiche sollen sich bewusst etwas aufwärmen, damit sich kein Kondenswasser bildet.

4.2 Erste Inbetriebnahme

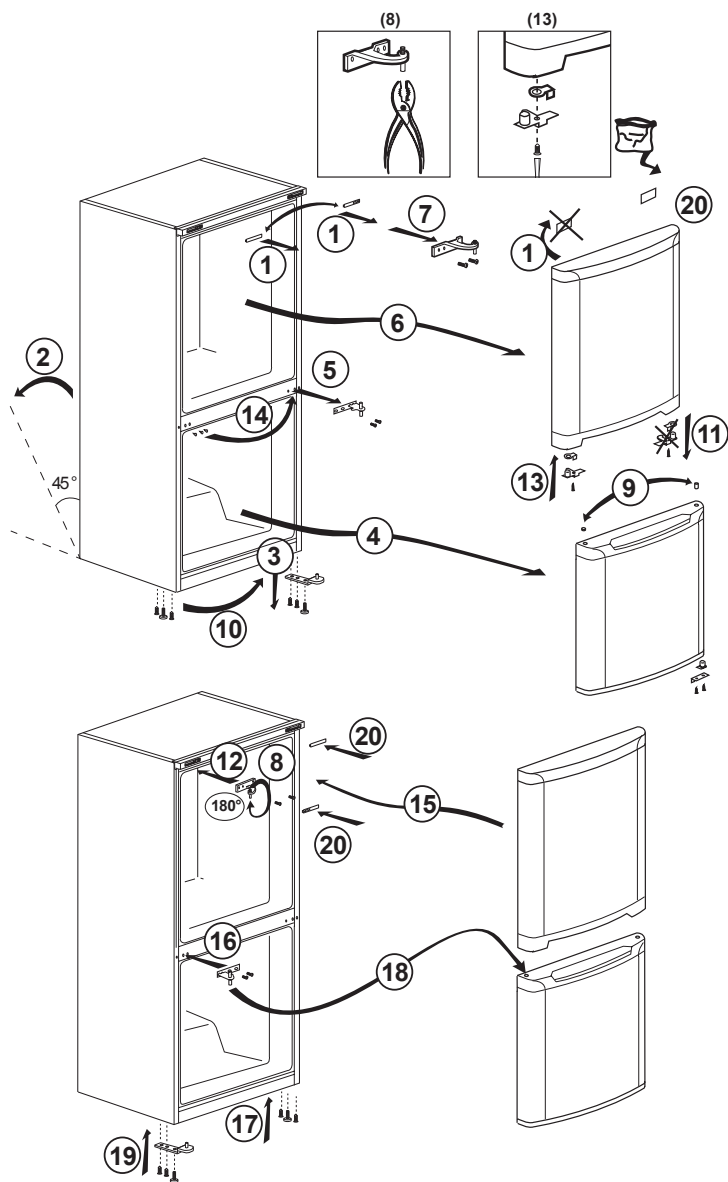
Bevor Sie das Gerät zum ersten Mal benutzen, vergewissern Sie sich, dass sämtliche Vorkehrungen wie in den Abschnitten „Wichtige Sicherheits- und Umwelthinweise“ und „Installation“ getroffen wurden.

- Reinigen Sie das Innere des Kühlschranks/ Gefrierschranks wie im Abschnitt „Reinigung und Wartung“ beschrieben. Sorgen Sie dafür, dass der Innenraum komplett trocken ist, bevor Sie das Gerät benutzen.
- Stecken Sie den Netzstecker des Kühlschranks/ Gefrierschranks in eine geerdete Steckdose. Bei geöffneter Tür schaltet sich die Beleuchtung im Innenraum ein.
- Lassen Sie den Kühlschrank/ Gefrierschrank etwa 6 Stunden lang leer arbeiten; verzichten Sie in dieser Zeit möglichst vollständig auf das Öffnen der Türen.

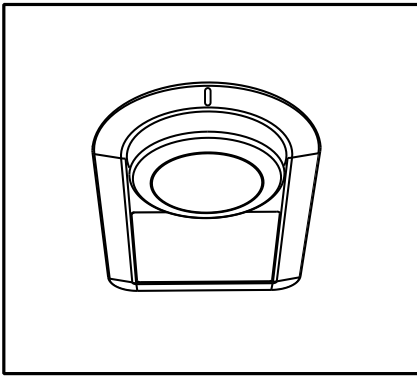
Da bei geöffneten Türen heiße und feuchte Luft nicht direkt in Ihr Produkt eindringt, optimiert sich Ihr Produkt unter ausreichenden Bedingungen zum Schutz Ihrer Lebensmittel. Funktionen und Komponenten wie Kompressor, Gebläse, Heizgerät, Abtaufunktion, Beleuchtung, Anzeige usw. arbeiten entsprechend den Anforderungen, um unter diesen Bedingungen minimale Energie zu verbrauchen.

Türanschlag umkehren

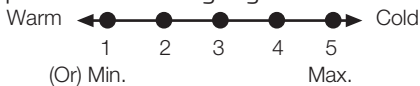
Gehen Sie der Reihe nach vor.



5 So bedienen Sie Ihren Kühlschrank



Die Betriebstemperatur wird über die Temperatursteuerung reguliert.



0=Systemkühlung ist deaktiviert.
1=Schwächste Kühlung (wärmste Einstellung)
5=Stärkste Kühlung (kälteste Einstellung)

Die Durchschnittstemperatur im Inneren des Kühlschranks sollte bei etwa +5 °C liegen.

Bitte wählen Sie die der gewünschten Temperatur entsprechende Einstellung.

Bitte beachten Sie, dass im Kühlbereich unterschiedliche Temperaturen herrschen.

Der kälteste Bereich befindet sich unmittelbar über dem Gemüsefach.

Die Innentemperatur hängt auch von der Umgebungstemperatur ab, außerdem davon, wie oft die Tür geöffnet wird und wie viel Lebensmittel im Inneren gelagert werden.

Beim häufigen Öffnen der Tür steigt die Innentemperatur an.

Aus diesem Grund empfehlen wir, die Tür möglichst schnell wieder zu schließen.

Die Innentemperatur Ihres Kühlschranks hängt teilweise von folgenden Einflüssen ab:

- Saisonale Temperaturen,
- Häufige Türöffnungen, Offenstehen der Tür über längere Zeit,
- Einlagern von Lebensmitteln, ohne diese zuvor auf Raumtemperatur abkühlen zu lassen,
- Platzierung des Kühlschranks innerhalb des Raumes (z. B. im direkten Sonnenlicht).
- Zum Anpassen der Innentemperatur an solche Einflüsse benutzen Sie das Thermostat. Die Zahlen rund um die Thermostateinstelltaste zeigen die Kühlungsleistung an.
- Falls die Umgebungstemperatur mehr als 32 °C beträgt, wählen Sie die höchstmögliche Thermostateinstellung.
- Sofern die Umgebungstemperatur weniger als 25 °C beträgt, wählen Sie die geringste Thermostateinstellung.
- Kontrollieren Sie den Tauwasserfluss von Zeit zu Zeit. Dieser kann gelegentlich zum Stocken kommen. Reinigen Sie es mit einem Pfeifenreiniger oder ähnlichem.



Abbildungen und Angaben in dieser Anleitung sind schematisch und können etwas von Ihrem Produkt abweichen. Wenn die Teile nicht im gekauften Produkt enthalten sind, gelten sie für andere Modelle.

Nutzung des Kühlschranks/Gefrierschranks

5.1. Kühlen

Lebensmitteln lagern

Der Kühlbereich ist für die kurzfristige Lagerung von frischen Lebensmitteln und Getränken vorgesehen.

Lagern Sie Milchprodukte im dafür vorgesehenen Bereich des Kühl-/Gefrierschranks.

Flaschen können Sie im Flaschenhalter oder in der Flaschenablage der Tür aufbewahren.

Rohes Fleisch geben Sie am besten in einen Polyethylen-Beutel (PE) und lagern es im untersten Bereich des Kühl-/Gefrierschranks.

Lassen Sie heiße Speisen und Getränke immer erst auf Raumtemperatur abkühlen, bevor Sie diese in den Kühl-/Gefrierschranks stellen.

- Achtung

Lagern Sie hochprozentigen Alkohol nur aufrecht stehend und fest verschlossen.

- Achtung

Lagern Sie keine explosiven Substanzen oder Behälter mit brennbaren Treibgasen (Sprühsahne, Sprühdosen usw.) im Kühlgerät. Es besteht Explosionsgefahr.

5.2. Lebensmittel einlagern

Eierbehälter	Eier
Kühlbereich-Ablagen	Lebensmittel in Pfannen, Töpfen, auf abgedeckten Tellern, in geschlossenen Behältern
Kühlbereich-Türablagen	Kleine, verpackte Lebensmittelprodukte oder Getränke (zum Beispiel Milch, Saft und Bier)
Gemüsefach	Gemüse und Früchte

Gerät abtauen

Das Gerät taut automatisch ab.

Nutzung des Kühlschranks/Gefrierschranks

5.3. Doppeltes Kühlsystem:

Ihr Kühlgerät ist mit zwei getrennten Kühlsystemen für Kühl- und Tiefkühlbereich ausgestattet. Dadurch vermischt sich die Luft im Kühlbereich nicht mit der Luft im Tiefkühlbereich. Durch die Trennung der Kühlsysteme kühlt Ihr Gerät erheblich schneller als viele andere Kühlgeräte. Auch die Gerüche der beiden Kühlbereiche bleiben getrennt. Darüber hinaus sparen Sie Energie, da auch das Abtauen getrennt erfolgt.

5.4. Frische Lebensmittel tiefkühlen

Es ist ratsam, die Lebensmittel einzuwickeln oder abzudecken, bevor sie im Kühlschrank gelagert werden.

Heiße Spiesen müssen auf Raumtemperatur abgekühlt sein, ehe sie in den Kühlschrank gegeben werden.

Lebensmittel, die Sie einfrieren möchten, sollten frisch und von guter Qualität sein.

Verteilen Sie die Lebensmittel / Gerichte auf familienfreundliche oder sonstige sinnvolle Portionen.

Lebensmittel sollten luftdicht verpackt sein, damit sie nicht austrocknen. Dies gilt auch dann, wenn Sie Lebensmittel nur kurze Zeit lagern möchten.


Geeignete Verpackungsmaterialien müssen reißfest, luftdicht und unempfindlich gegenüber Kälte, Feuchtigkeit, Gerüchen, Ölen und Säuren sein. Darüber hinaus müssen sie sich leicht verschließen lassen, unkompliziert in der Handhabung und natürlich zum Tiefkühlen geeignet sein.

Verbrauchen Sie eingefrorene Lebensmittel nicht direkt nach dem Auftauen und frieren Sie sie nicht wieder ein.

Bitte beachten Sie die folgenden Hinweise, um beste Resultate zu erzielen.

1. Frieren Sie nicht zu große Mengen auf einmal ein. Die Qualität der Lebensmittel bleibt am besten erhalten, wenn sie so schnell wie möglich bis in den Kern tiefgekühlt werden.
2. Wenn Sie noch warme Speisen in das Tiefkühlfach stellen, bewirken Sie damit, dass das Kühlsystem ununterbrochen arbeitet, bis die Speisen komplett tiefgekühlt sind.
3. Achten Sie besonders darauf, bereits tiefgekühlte und frische Speisen nicht zu vermischen.

5.5. Empfehlungen zur Konservierung von gefrorenen Lebensmitteln

Handelsübliche, verpackte Tiefkühlkost sollte gemäß den Hinweisen des Herstellers zur Lagerung in Viersterne-Fächern  gelagert werden.

Um besonders gute Ergebnisse zu erzielen und zu erhalten, sollten Sie Folgendes berücksichtigen:

1. Geben Sie Lebensmittel so schnell wie möglich nach dem Kauf in den Tiefkühlbereich.
2. Sorgen Sie dafür, dass sämtliche Lebensmittel beschriftet und mit einem Datum versehen werden.
3. Achten Sie darauf, dass das Mindesthaltbarkeitsdatum auf der Verpackung nicht überschritten wird.

Nutzung des Kühlschranks/Gefrierschranks

Bei Stromausfall halten Sie die Tür des Tiefkühlbereiches geschlossen. Gefrorene Lebensmittel nehmen keinen Schaden, solange der Stromausfall nicht länger als unter „Haltezeit nach Ausfall“ (siehe Technische Daten) angegeben andauert. Falls der Stromausfall länger andauern sollte, müssen Sie die Lebensmittel überprüfen und nötigenfalls entweder sofort konsumieren oder kochen und danach wieder einfrieren.

Abtauen

Der Tiefkühlbereich taut automatisch ab.

5.6. Lebensmittel einlagern

Tiefkühlbereich-Ablagen	Verschiedene gefrorene Lebensmittel wie Fleisch, Fisch, Speiseeis, Gemüse, etc.
Eierhalter	Eier
Kühlbereich-Ablagen	Lebensmittel in Pfannen, Töpfen, auf abgedeckten Tellern, in geschlossenen Behältern
Kühlbereich-Türablagen	Kleine, verpackte Lebensmittelprodukte oder Getränke (zum Beispiel Milch, Saft und Bier)
Gemüsefach	Gemüse und Früchte
Frischefach	Milchprodukte (Käse, Butter, ...), Salami, und so weiter

5.7. Hinweise zum Tiefkühlen

Lebensmittel sollten schnellstmöglich eingefroren werden, damit sie nicht an Qualität verlieren.

Nur bei Temperaturen von -18°C oder weniger ist es möglich, Lebensmittel lange Zeit zu lagern.

Sie können die Frische von Lebensmitteln viele Monate bewahren (bei einer Temperatur von -18°C oder weniger im Tiefkühlbereich).



WARNUNG!

- Verteilen Sie die Lebensmittel / Gerichte auf familienfreundliche oder sonstige sinnvolle Portionen.
- Lebensmittel sollten luftdicht verpackt sein, damit sie nicht austrocknen. Dies gilt auch dann, wenn Sie Lebensmittel nur kurze Zeit lagern möchten.

Benötigtes Verpackungsmaterial:

- Kältebeständiges Klebeband
- Selbstklebende Etiketten
- Gummiringe
- Stift

Geeignete Verpackungsmaterialien müssen reißfest und unempfindlich gegenüber Kälte, Feuchtigkeit, Gerüchen, Ölen und Säuren sein.

Einzufrierende Lebensmittel sollten keinen direkten Kontakt zu bereits gefrorenen Lebensmitteln haben, damit diese nicht anzutauen.

Die Gefrierkapazität Ihres Kühlschranks können Sie im Abschnitt „Technische Daten“ im ersten Teil nachlesen.

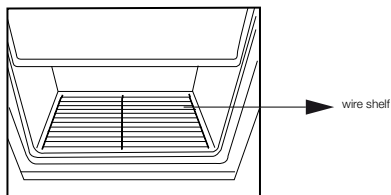
Halten Sie sich hinsichtlich der Aufbewahrungsdauer immer an die Tabellenwerte.

Verbrauchen Sie eingefrorene

Nutzung des Kühlschranks/Gefrierschranks

Lebensmittel nicht direkt nach dem Auftauen und frieren Sie sie nicht wieder ein.

- Das maximale TK-Stauvolumen wird ohne Schubladen und obere Ablage im Tiefkühlfach erzielt. Der Energieverbrauch Ihres Gerätes wurde bei komplett gefüllten Ablagen im Tiefkühlfach ohne Schubladen und obere Ablage ermittelt. Verwendet den vorgegebenen Gitterrost am Boden des Gefrierfaches für eine bessere Leistung Energieverbrauch.
- Frieren Sie Lebensmittel am besten auf der oberen Tiefkühlablage ein.
- Wir empfehlen, die mitgelieferten Kühlakkus wie nachstehend beschrieben einzusetzen, bevor Sie die Schnellgefrierfunktion verwenden. Dies verbessert die Lebensmittellagerung und das Schnellgefrieren im Tiefkühlbereich.



5.8. Wechseln des Türanschlags

*** Möglicherweise nicht für alle Modelle verfügbar.**

Der Türanschlag des Gerätes kann nur von einem Fachmann gewechselt werden. Bei Bedarf wenden Sie sich bitte an unsere Service-Hotline. Der Einsatz des Servicetechnikers ist kostenpflichtig.

5.9. Tür-offen-Warnung

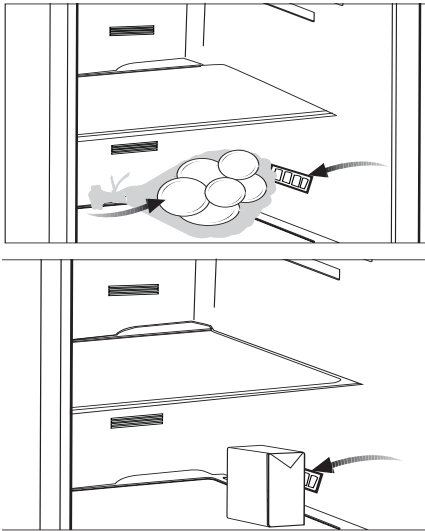
*** Möglicherweise nicht für alle Modelle verfügbar.**

Ein Signal ertönt, wenn die Tür des Kühlschranks / Gefrierschranks oder des Tiefkühlfachs für eine bestimmte Zeit geöffnet bleibt. Dieses Tonsignal verstummt, sobald Sie eine beliebige Taste drücken oder die Tür wieder schließen.

5.10 Empfehlungen zum Kühlbereich

*** Möglicherweise nicht für alle Modelle verfügbar.**

Wenn mehrere Optionen vorhanden sind, müssen Glasregale so platziert werden, dass die Luftauslässe an der Rückwand nicht blockiert werden. Vorzugsweise verbleiben Luftauslässe unter dem Glasregal. Diese Kombination kann dazu beitragen, die Luftverteilung und die Energieeffizienz zu verbessern.



5.11 Beleuchtung auswechseln

Die Innenbeleuchtung Ihres Kühlschranks sollte ausschließlich vom autorisierten Kundendienst ausgetauscht werden.

Die Glühbirnen für dieses Haushaltsgerät sind für Beleuchtungszwecke nicht geeignet. Die beabsichtigte Aufgabe dieser Lampe ist es den Benutzer zu ermöglichen die Platzierung der Lebensmittel in den Kühlschrank / Eiskühltruhe sicher und bequem vorzunehmen.

Die in diesem Gerät verwendeten Lampen müssen extremen physikalischen Bedingungen, wie z. B. Temperaturen von $-20\text{ }^{\circ}\text{C}$, standhalten.

5.12 Geruchvernichtungsmodul (FreshGuard)

Das Geruchvernichtungsmodul beseitigt schlechte Gerüche in Ihrem Kühlschrank noch bevor sie in die Lebensmittel eindringen können. Dank dieses an der Decke des Fachs für frische Lebensmittel angebrachten Moduls werden unangenehme Gerüche abgeführt, indem die Luft aktiv zum Geruchsfilter geleitet wird. Anschließend wird die vom Filter gereinigte Luft wieder in das Fach für frische Lebensmittel zurückgeleitet. Auf diese Weise werden während der Lagerung von Lebensmitteln entstehende unerwünschte Gerüche beseitigt, bevor sie in die Lebensmittel eindringen.

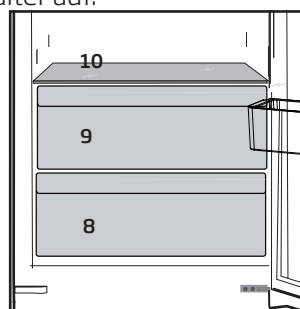
Nutzung des Kühlschranks/Gefrierschranks

Dies wird durch das Gebläse, die LED und den im Modul integrierten Geruchsfilter erzielt. Im täglichen Einsatz wird das Geruchvernichtungsmodul automatisch regelmäßig eingeschaltet. Zur Beibehaltung einer effizienten Leistung sollten Sie den Filter im Geruchvernichtungsmodul alle 5 Jahre vom autorisierten Kundendienst auswechseln lassen. Durch das im Modul integrierte Gebläse ist es normal, dass Sie im Betrieb Geräusche hören. Wenn Sie die Tür des Fachs für frische Lebensmittel öffnen, während das Modul aktiv ist, stoppt das Gebläse vorübergehend; einige Zeit nach dem Schließen der Tür setzt es den Betrieb fort. Bei einem Stromausfall setzt das Geruchvernichtungsmodul den Betrieb bei Wiederherstellung der Stromversorgung an der Stelle fort, an der er unterbrochen wurde.

Info: Sie sollten aromatische Lebensmittel (wie Käse, Oliven und Feinkost) gut abgedichtet in ihrer Verpackung aufbewahren, damit keine unangenehmen Gerüche durch die Vermischung der Ausdünstungen verschiedener Lebensmittel entstehen. Darüber hinaus sollten Sie verdorbene Lebensmittel schnell aus dem Kühlschrank entfernen; andernfalls könnten andere Lebensmittel ebenfalls verderben und unangenehme Gerüche entstehen.

5.13 Der Milchbehälter (Kühllagerung)

Sorgt für eine niedrigere Temperatur im Kühlschrankfach. Verwenden Sie diesen Behälter, um Delikatessen (Salami, Würstchen, Milchprodukte usw.) aufzubewahren, die eine niedrigere Lagertemperatur erfordern, oder Fleisch-, Hühner- oder Fischprodukte für den sofortigen Verzehr. Bewahren Sie kein Obst und Gemüse in diesem Behälter auf.



Eine regelmäßige Reinigung erhöht die Lebensdauer des Geräts.



HINWEIS:

Trennen Sie Ihren Kühlschrank vor der Reinigung vom Netz.

- Verwenden Sie zur Reinigung auf keinen Fall scharfen oder spitzen Gegenstände, Seife, Hausreinigungsmittel, Reinigungsmittel, Gas, Benzin, Lack u. Ä.
- Schütten Sie ein Teelöffel Karbonat in einen halben Liter Wasser. Nehmen Sie ein Tuch, tauchen Sie es in diese Flüssigkeit und wringen Sie es gut kräftig. Wischen Sie mit diesem Tuch das Innere des Geräts und trocknen Sie es gründlich.
- Achten Sie darauf, dass das Gehäuse der Leuchte und sonstige elektrischen Teile nicht mit Wasser in Berührung kommen.
- Reinigen Sie die Tür mit einem feuchten Tuch. Entnehmen Sie den Inhalt vom Innenraum und den Türen. Entfernen Sie die Regale nach oben hebend. Nach der Reinigung und dem Trocknen legen Sie es wieder ein, indem Sie es nach unten schieben.
- Verwenden Sie auf keinen Fall bei der Reinigung der Außenfläche des Geräts und den verchromten Teilen chlorhaltigem Wasser oder Reinigungsmittel. Chlor führt bei dieser Art von Oberflächen zur Verrostungen.

6.1. Vermeidung von schlechtem Geruch

Bei der Herstellung Ihres Geräts wurden keinerlei Materialien verwendet, die Geruch verursachen könnten. Jedoch können aufgrund von ungeeigneter Lagerung von Lebensmitteln und unsachgemäßer Reinigung der Innenseite Gerüche entstehen.

Zur Vermeidung dieses Problems reinigen Sie es regelmäßig alle 15 Tage.

- Bewahren Sie die Speisen in geschlossenen Behältern auf. Lebensmittel, die in offenen Behältern aufbewahrt werden, können durch die Verbreitung von Mikroorganismen Gerüche verursachen.
- Keine Lebensmittel deren Aufbewahrungsdauer abgelaufen ist im Kühlschrank aufbewahren.

6.2. Schutz von Kunststoffoberflächen

Das Ausschütten von Öl kann den Kunststoffoberflächen Schaden zufügen, daher sollte hier mit lauwarmem Wasser gereinigt werden.

7 Problemlösung

Bitte arbeiten Sie diese Liste durch, bevor Sie sich an den Kundendienst wenden. Dies kann Ihnen Zeit und Geld sparen. In der Liste finden Sie häufiger auftretende Probleme, die nicht auf Verarbeitungs- oder Materialfehler zurückzuführen sind. Nicht alle hier beschriebenen Funktionen sind bei jedem Modell verfügbar.

Der Kühlschrank arbeitet nicht.

- Der Netzstecker ist nicht richtig eingesteckt. >>> Stecken Sie den Netzstecker bis zum Anschlag in die Steckdose.
- Die entsprechende Haussicherung ist herausgesprungen oder durchgebrannt. >>> Überprüfen Sie die Sicherung.

Kondensation an den Seitenwänden des Kühlbereiches (Multizone, Kühlkontrolle und FlexiZone).

- Die Tür wurde häufig geöffnet. >>> Verzichten Sie auf häufiges Öffnen der Kühlschranktür.
- Die Luftfeuchtigkeit in der Umgebung ist zu hoch. >>> Stellen Sie Ihren Kühlschrank nicht an Orten mit hoher Luftfeuchtigkeit auf.
- Lebensmittel mit hohem Flüssigkeitsanteil werden in offenen Behältern aufbewahrt. >>> Bewahren Sie Lebensmittel mit hohem Flüssigkeitsanteil nicht in offenen Behältern auf.
- Die Kühlschranktür steht offen. >>> Schließen Sie die Kühlschranktür.
- Das Thermostat ist auf eine sehr geringe Temperatur eingestellt. >>> Stellen Sie das Thermostat entsprechend nach.

Der Kompressor läuft nicht.

- Eine Schutzschaltung stoppt den Kompressor bei kurzzeitigen Unterbrechungen der Stromversorgung und wenn das Gerät zu oft und schnell ein- und ausgeschaltet wird, da der Druck des Kühlmittels eine Weile lang ausgeglichen werden muss. Der Kühlschrank beginnt nach etwa sechs Minuten wieder zu arbeiten. Bitte wenden Sie sich an den Kundendienst, falls Ihr Kühlschrank nach Ablauf dieser Zeit nicht wieder zu arbeiten beginnt.
- Der Kühlschrank taut ab. >>> Dies ist bei einem vollautomatisch abtauenden Kühlschrank völlig normal. Das Gerät taut von Zeit zu Zeit ab.
- Der Netzstecker ist nicht eingesteckt. >>> Überprüfen Sie, ob der Netzstecker richtig eingesteckt wurde.
- Die Temperatur ist nicht richtig eingestellt. >>> Wählen Sie eine geeignete Temperatur.
- Der Strom ist ausgefallen. >>> Sobald die Stromversorgung wiederhergestellt ist, nimmt der Kühlschrank den Betrieb wieder auf.

Das Betriebsgeräusch nimmt zu, wenn der Kühlschrank arbeitet.

- Das Leistungsverhalten des Kühlgerätes kann sich je nach Umgebungstemperatur ändern. Dies ist völlig normal und keine Fehlfunktion.

Problemlösung

Der Kühlschrank arbeitet sehr intensiv oder über eine sehr lange Zeit.

- Ihr neues Gerät ist vielleicht etwas breiter als sein Vorgänger. Große Kühlgeräte arbeiten oft etwas länger.

- Die Umgebungstemperatur ist eventuell sehr hoch. >>> Bei hohen Umgebungstemperaturen arbeitet das Gerät etwas länger.

- Der Kühlschrank wurde möglicherweise erst vor Kurzem in Betrieb genommen oder mit Lebensmitteln gefüllt. >>> Wenn der Kühlschrank erst vor Kurzem in Betrieb genommen oder mit Lebensmitteln gefüllt wurde, dauert es einige Zeit, bis er die eingestellte Temperatur erreicht. Dies ist normal.

- Kurz zuvor wurden größere Mengen warmer Speisen in den Kühlschrank gestellt. >>> Geben Sie keine warmen oder gar heißen Speisen in den Kühlschrank.

- Die Türen wurden häufig geöffnet oder längere Zeit nicht richtig geschlossen. >>> Der Kühlschrank muss länger arbeiten, weil warme Luft in den Innenraum eingedrungen ist. Verzichten Sie auf häufiges Öffnen der Türen.

- Die Türen des Kühl- oder Tiefkühlbereiches wurden nicht richtig geschlossen. >>> Vergewissern Sie sich, dass die Türen richtig geschlossen wurden.

- Die Kühlschranktemperatur ist sehr niedrig eingestellt. >>> Stellen Sie die Kühlschranktemperatur höher ein. Warten Sie dann ab, bis die gewünschte Temperatur erreicht ist.

- Die Türdichtungen von Kühl- oder Gefrierbereich sind verschmutzt, verschlissen, beschädigt oder sitzen nicht richtig. >>> Reinigen oder ersetzen Sie die Dichtung. Beschädigte oder defekte Dichtungen führen dazu, dass der Kühlschrank länger arbeiten muss, um die Temperatur halten zu können.

Die Temperatur im Tiefkühlbereich ist sehr niedrig, während die Temperatur im Kühlbereich normal ist.

- Die Tiefkühltemperatur ist sehr niedrig eingestellt. >>> Stellen Sie die Tiefkühltemperatur wärmer ein, prüfen Sie die Temperatur nach einer Weile.

Die Temperatur im Kühlbereich ist sehr niedrig, während die Temperatur im Tiefkühlbereich normal ist.

- Die Kühltemperatur ist sehr niedrig eingestellt. >>> Stellen Sie die Kühlbereichtemperatur wärmer ein, prüfen Sie die Temperatur nach einer Weile.

Im Kühlbereich gelagerte Lebensmittel frieren ein.

- Die Kühltemperatur ist sehr niedrig eingestellt. >>> Wählen Sie eine höhere Kühlbereichtemperatur, prüfen Sie die Temperatur nach einer Weile.

Die Temperatur im Kühl- oder Tiefkühlbereich ist sehr hoch.

- Die Kühltemperatur ist sehr hoch eingestellt. >>> Die Kühlbereichtemperatur wirkt sich auf die Temperatur des Tiefkühlbereiches aus. Ändern Sie die Temperatur des Kühl- oder Tiefkühlbereiches und warten Sie, bis die entsprechenden Fächer eine geeignete Temperatur erreicht haben.

- Türen wurden häufig geöffnet oder längere Zeit nicht richtig geschlossen. >>> Verzichten Sie auf häufiges Öffnen der Türen.

- Die Tür steht offen. >>> Schließen Sie die Tür komplett.

- Der Kühlschrank wurde möglicherweise erst vor Kurzem in Betrieb genommen oder mit Lebensmitteln gefüllt. >>> Dies ist normal. Wenn der Kühlschrank erst vor Kurzem in Betrieb genommen oder mit Lebensmitteln gefüllt wurde, dauert es einige Zeit, bis er die eingestellte Temperatur erreicht.

- Kurz zuvor wurden größere Mengen warmer Speisen in den Kühlschrank gestellt. >>> Geben Sie keine warmen oder gar heißen Speisen in den Kühlschrank.

Problemlösung

Vibrationen oder Betriebsgeräusche.

- Der Boden ist nicht eben oder nicht stabil genug. >>> Falls der Kühlschrank bei leichten Bewegungen wackelt, gleichen Sie ihn mit Hilfe seiner Füße aus. Achten Sie außerdem darauf, dass der Boden eben ist und das Gewicht des Kühlschranks problemlos tragen kann.
- Gegenstände, die auf dem Kühlschrank abgestellt wurden, können Geräusche verursachen. >>> Nehmen Sie die Gegenstände vom Kühlschrank.

Fließ- oder Spritzgeräusche sind zu hören.

- Aus technischen Gründen bewegen sich Flüssigkeiten und Gase innerhalb des Gerätes. Dies ist völlig normal und keine Fehlfunktion.

Der Kühlschrank pfeift.

- Zum gleichmäßigen Kühlen werden Ventilatoren eingesetzt. Dies ist völlig normal und keine Fehlfunktion.

Kondensation an den Kühlschrankinnenflächen.

- Bei heißen und feuchten Wetterlagen treten verstärkt Eisbildung und Kondensation auf. Dies ist völlig normal und keine Fehlfunktion.
- Türen wurden häufig geöffnet oder längere Zeit nicht richtig geschlossen. >>> Verzichten Sie auf häufiges Öffnen der Türen. Schließen Sie geöffnete Türen.
- Die Tür steht offen. >>> Schließen Sie die Tür komplett.

Feuchtigkeit sammelt sich an der Außenseite des Kühlschranks oder an den Türen.

- Eventuell herrscht hohe Luftfeuchtigkeit; dies ist je nach Wetterlage völlig normal. Die Kondensation verschwindet, sobald die Feuchtigkeit abnimmt.

Unangenehmer Geruch im Kühlschrank.

- Der Kühlschrank wurde nicht regelmäßig gereinigt. >>> Reinigen Sie das Innere des Kühlschranks regelmäßig mit einem Schwamm, den Sie mit lauwarmem Wasser oder einer Natron-Wasser-Lösung angefeuchtet haben.
- Bestimmte Behälter oder Verpackungsmaterialien verursachen den Geruch. >>> Verwenden Sie andere Behälter oder Verpackungsmaterial einer anderen Marke.
- Lebensmittel wurden in offenen Behältern in den Kühlschrank gegeben. >>> Lagern Sie Lebensmittel in geschlossenen Behältern. Mikroorganismen, die aus unverschlossenen Behältern entweichen, können üble Gerüche verursachen.
- Nehmen Sie Lebensmittel mit abgelaufenem Mindesthaltbarkeitsdatum sowie verdorbene Lebensmittel aus dem Kühlschrank.

Die Tür lässt sich nicht schließen.

- Lebensmittelpackungen verhindern ein vollständiges Schließen der Tür. >>> Entfernen Sie die Verpackungen, welche die Tür blockieren.
- Der Kühlschrank steht nicht vollständig eben auf dem Boden. >>> Gleichen Sie den Kühlschrank mit Hilfe der Füße aus.
- Der Boden ist nicht eben oder nicht stabil genug. >>> Achten Sie darauf, dass der Boden eben ist und das Gewicht des Kühlschranks problemlos tragen kann.

Das Gemüsefach klemmt.

- Lebensmittel berühren eventuell den oberen Teil der Schublade. >>> Ordnen Sie die Lebensmittel in der Schublade anders an.

Wenn Die Produktoberfläche Heiss Ist.

- Die Bereiche zwischen den beiden Türen, an den Seitenflächen und hinten am Grill können im Betrieb sehr heiß werden. Dies ist völlig normal und weist nicht auf eine Fehlfunktion hin.

HAFTUNGSAUSSCHLUSS / WARNUNG

Einige (einfache) Fehler können vom Endbenutzer angemessen behandelt werden, ohne dass Sicherheitsprobleme oder unsichere Verwendung auftreten, sofern sie innerhalb der Grenzen und gemäß den folgenden Anweisungen ausgeführt werden (siehe Abschnitt „Selbstreparatur“).

Sofern im Abschnitt „Selbstreparatur“ unten nichts anderes autorisiert ist, sind Reparaturen an registrierte professionelle Reparaturtechniker zu richten, um Sicherheitsprobleme zu vermeiden. Ein registrierter professioneller Reparaturbetrieb ist ein professioneller Reparaturtechniker, dem vom Hersteller Zugang zu den Anweisungen und der Ersatzteilliste dieses Produkts gemäß den in den Rechtsakten entsprechend der Richtlinie 2009/125/EG beschriebenen Methoden gewährt wurde.

Allerdings kann nur der Dienstleister (d.h. autorisierte professionelle Reparaturtechniker), den Sie über die in der Bedienungsanleitung/Garantiekarte angegebene Telefonnummer oder über Ihren autorisierten Händler erreichen können, einen Service gemäß den Garantiebedingungen anbieten. Bitte beachten Sie daher, dass Reparaturen durch professionelle Reparaturtechniker (die nicht von Bekoautorisiert sind) zum Erlischen der Garantie führen.

Selbstreparatur

Die Selbstreparatur kann vom Endbenutzer in Bezug auf folgende Ersatzteile durchgeführt werden: Dichtungen, Filter, Türscharniere, Körbe, Propeller, Kunststoffzubehör usw. (eine aktualisierte Liste ist ab dem 1. März 2021 ebenfalls in support.beko.com verfügbar).

Um die Produktsicherheit zu gewährleisten und das Risiko schwerer Verletzungen zu vermeiden, muss die erwähnte Selbstreparatur gemäß den Anweisungen im Benutzerhandbuch zur Selbstreparatur durchgeführt werden, die unter support.beko.com verfügbar sind. Ziehen Sie zu Ihrer Sicherheit den Stecker aus der Steckdose,

bevor Sie eine Selbstreparatur durchführen.

Reparatur- und Reparaturversuche von Endbenutzern für Teile, die nicht in dieser Liste enthalten sind und/oder die Anweisungen in den Benutzerhandbüchern zur Selbstreparatur nicht befolgen oder die auf support.beko.com verfügbar sind, können zu Sicherheitsproblemen führen, die nicht auf Bekozurückzuführen sind, und führt zum Erlöschen der Garantie des Produkts.

Deshalb wird dringend empfohlen, dass Endbenutzer nicht versuchen, Reparaturen durchzuführen, die außerhalb der genannten Ersatzteilliste liegen, und sich in solchen Fällen an autorisierte professionelle Reparaturtechniker oder registrierte professionelle Reparaturtechniker wenden. Ansonsten können solche Versuche von Endbenutzern Sicherheitsprobleme verursachen und das Produkt beschädigen und anschließend Brand, Überschwemmungen, Stromschläge und schwere Personenschäden verursachen.

Beispielsweise müssen, ohne darauf beschränkt zu sein, die folgenden Reparaturen an autorisierte professionelle Reparaturtechniker oder registrierte professionelle Reparaturtechniker gerichtet werden: Kompressor, Kühlkreislauf, Hauptplatine, Wechselrichterplatine, Anzeigetafel usw.

Der Hersteller/Verkäufer kann in keinem Fall haftbar gemacht werden, in dem Endbenutzer die oben genannten Bestimmungen nicht einhalten.

Die Ersatzteilverfügbarkeit des von Ihnen gekauften Kühlschranks beträgt 10 Jahre. Während dieser Zeit stehen Originalersatzteile zur Verfügung, um den Kühlschrank ordnungsgemäß zu betreiben.

Die Mindestgarantiedauer für den von Ihnen gekauften Kühlschrank beträgt 24 Monate. Dieses Produkt ist mit einer Lichtquelle der Energieklasse „G“ ausgestattet.

Die Lichtquelle in diesem Produkt darf nur von professionellen Reparaturtechnikern ersetzt werden.

Veillez d'abord lire ce manuel d'utilisation !

Chère cliente, cher client,

Nous aimerions que vous soyez entièrement satisfait de notre appareil, fabriqué dans des infrastructures modernes et ayant fait l'objet d'un contrôle de qualité minutieux.

À cet effet, veuillez lire en intégralité le manuel d'utilisation avant d'utiliser cet appareil, et conservez-le pour références ultérieures. Si vous offrez cet appareil à une autre personne, remettez-lui également le manuel d'utilisation.


Le manuel d'utilisation garantit l'utilisation rapide et sécurisée du réfrigérateur.






- Veuillez lire le manuel d'utilisation avant d'installer et d'utiliser le réfrigérateur,
- Respectez toujours les instructions de sécurité en vigueur,
- Tenez le manuel d'utilisation à portée pour références ultérieures,
- Veuillez lire tous les autres documents fournis avec l'appareil,

Veillez noter que ce manuel d'utilisation peut se rapporter à plusieurs modèles de cet appareil. Le manuel indique clairement toutes les différences entre les modèles.

Symboles et commentaires

Les symboles suivants sont utilisés dans le manuel d'utilisation :

	Informations importantes et renseignements utiles,
	Avertissement relatif aux conditions dangereuses pour la vie et la propriété,
	Risque d'électrocution,
	L'emballage de l'appareil a été fabriqué à partir de matériaux recyclables, conformément à la législation nationale en matière d'environnement,

 ANGABEN	
 SUPPLIER'S NAME:  MODEL IDENTIFIER:  → (*) 	Die Modellinformationen, wie sie in der Produktdatenbank gespeichert sind, können durch Eingabe der folgenden Website und Suche nach Ihrer Modellkennung (*) auf dem Energietikett erreicht werden. https://eprel.ec.europa.eu/

1	Instructions en matière de sécurité et d'environnement	4	4	Préparation	11
1.1.	Sécurité Générale	4	5	Utilisation de votre réfrigérateur	13
1.1.1	Avertissement HC	6	5.1.	Réfrigération	13
1.1.2	Pour les Modèles Avec Distributeur D'eau.	6	5.2.	Disposition des aliments	14
1.2.	Utilisation Prévue.	6	5.3.	Système de réfrigération NeoFrost :	15
1.3.	Sécurité Enfants	6	5.4.	Congélation des produits frais	15
1.4.	Conformité Avec la Directive DEEE et Mise Au Rebut de Votre Ancien Appareil	7	5.5.	Recommandations concernant la conservation des aliments congelés	15
1.5.	Conformité Avec la Directive RoHS	7	5.6.	Disposition des aliments	16
1.6.	Informations Relatives à L'emballage	7	5.7.	Informations concernant la congélation	16
2	Votre Réfrigérateur	8	5.8.	Le compartiment des produits laitiers (entrepôt frigorifique)	17
3	Installation	9	6	Entretien et nettoyage	18
3.1.	Lieu Idéal D'installation	9	6.1.	Prévention des mauvaises odeurs	18
3.2.	Fixation des Cales en Plastique	9	6.2.	Protection des surfaces en plastique	18
3.3.	Réglage Des Pieds	10	7	Dépannage	19
3.4.	Branchement Électrique	10			

Cette section fournit les instructions de sécurité nécessaires à la prévention des risques de blessures ou de dommage matériel. Le non-respect de ces instructions annule tous les types de garantie de l'appareil.

Utilisation Préconisée

	<p>AVERTISSEMENT: Assurez-vous que les trous d'aération ne sont pas fermés quand le dispositif est dans son boîtier ou est installé à sa place.</p>
	<p>AVERTISSEMENT: Ne pas utiliser tout dispositif mécanique ou un autre dispositif hors des recommandations du fabricant pour accélérer le processus de décongeler.</p>
	<p>AVERTISSEMENT: Ne pas endommager le circuit de fluide du réfrigérateur.</p>
	<p>AVERTISSEMENT: Ne pas utiliser des appareils électriques non prévus par le fabricant dans les compartiments de conservation des aliments.</p>
	<p>AVERTISSEMENT: Ne conservez pas de substances explosives comme des aérosols avec un liquide inflammable dans cet appareil.</p>

Ce dispositif est conçu pour l'usage domestique ou les applications similaires suivantes :

- Pour être utilisé dans la cuisine de personnel dans les magasins, bureaux et autres environnements de travail ;
- Pour être utilisé par les clients dans les maisons de campagne et hôtels et les autres environnements d'hébergement ;

- Dans des environnements de type de pension de famille
- Dans des applications similaires n'ayant pas de service alimentaire et non détaillants

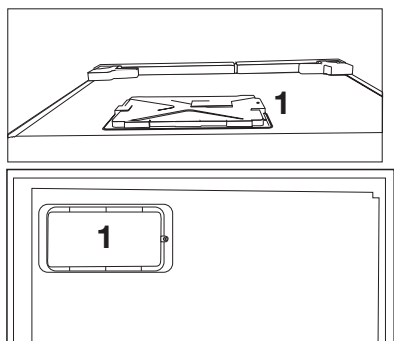
1.1. Sécurité Générale

- Cet appareil ne doit pas être utilisé par des personnes atteintes de déficience physique, sensorielle ou mentale, des personnes sans connaissances suffisantes et inexpérimentées ou par des enfants. Il ne doit être utilisé par ces personnes que si elles sont supervisées ou sous les instructions d'une personne responsable de leur sécurité. Ne laissez pas les enfants jouer avec l'appareil.
- En cas de dysfonctionnement, débranchez l'appareil.
- Après avoir débranché l'appareil, patientez 5 minutes avant de le rebrancher. Débranchez l'appareil lorsqu'il n'est pas utilisé. Évitez de toucher le cordon d'alimentation avec des mains humides ! Ne le débranchez jamais en tirant le câble, mais plutôt en tenant la prise.
- Nettoyez la fiche du câble d'alimentation à l'aide d'un chiffon sec, avant de le brancher.
- Évitez de brancher le réfrigérateur lorsque la prise est instable.
- Débranchez l'appareil pendant l'installation, l'entretien, le nettoyage et la réparation.
- Si l'appareil ne sera pas utilisé pendant une longue période, débranchez-le et videz l'intérieur.
- N'utilisez pas la vapeur ou de matériel de nettoyage à vapeur pour nettoyer le réfrigérateur et faire fondre la glace.

Instructions en matière de sécurité et d'environnement

La vapeur peut atteindre les zones électrifiées et causer un court-circuit ou l'électrocution !

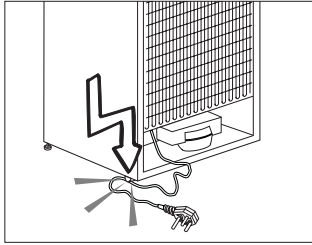
- Ne lavez pas l'appareil par pulvérisation ou aspersion d'eau ! Risque d'électrocution !
- Ne jamais utiliser le produit si la section située dans sa partie supérieure ou inférieure avec cartes de circuits imprimés électroniques à l'intérieur est ouverte (couvercle de cartes de circuits imprimés électroniques) (1).



- En cas de dysfonctionnement, n'utilisez pas l'appareil car il peut entraîner une électrocution. Contactez le service agréé avant de procéder à toute intervention.
- Branchez votre appareil à une prise de mise à la terre. La mise à la terre doit être effectuée par un technicien qualifié.
- Si l'appareil possède un éclairage de type LED, contactez le service agréé pour tout remplacement ou en cas de problème.
- Évitez de toucher les aliments congelés avec des mains humides ! Ils pourraient coller à vos mains !
- Ne placez pas de boissons en bouteille ou en canette dans le compartiment de congélation. Elles risquent d'exploser !
- Placez les boissons verticalement, dans des récipients convenablement fermés.
- Ne pulvérisez pas de substances contenant des gaz inflammables près du réfrigérateur pour éviter tout risque d'incendie et d'explosion.
- Ne conservez pas de substances et produits inflammables (vaporisateurs, etc.) dans le réfrigérateur.
- Ne placez pas de récipients contenant des liquides au-dessus du réfrigérateur. Les projections d'eau sur des pièces électrifiées peuvent entraîner des électrocutions et un risque d'incendie.
- L'exposition du produit à la pluie, à la neige, au soleil et au vent présente des risques pour la sécurité électrique. Quand vous transportez le réfrigérateur, ne le tenez pas par la poignée de la porte. Elle peut se casser.
- Évitez que votre main ou toute autre partie de votre corps ne se retrouve coincée dans les parties amovibles de l'appareil.
- Évitez de monter ou de vous appuyer contre la porte, les tiroirs ou toute autre partie du réfrigérateur. Cela peut faire tomber l'appareil et l'endommager.

Instructions en matière de sécurité et d'environnement

- Évitez de coincer le câble d'alimentation.



1.1.1 Avertissement HC

Si votre réfrigérateur possède un système de refroidissement utilisant le gaz R600a, évitez d'endommager le système de refroidissement et sa tuyauterie pendant l'utilisation et le transport de l'appareil. Ce gaz est inflammable. Si le système de refroidissement est endommagé, éloignez l'appareil des flammes et aérez la pièce immédiatement.



L'étiquette sur la paroi intérieure gauche de l'appareil indique le type de gaz utilisé.

1.1.2 Pour les Modèles Avec Distributeur D'eau

- La pression de l'eau froide à l'entrée ne doit pas excéder 90 psi (6.2 bar). Si votre pression d'eau dépasse 80 psi (5,5 bar), utilisez une soupape de limitation de pression sur votre réseau de conduite. Si vous ne savez pas comment vérifiez la pression de l'eau, demandez l'assistance d'un plombier professionnel.
- S'il existe un risque d'effet coup de bélier sur votre installation, utilisez systématiquement un équipement de protection contre l'effet coup de bélier sur celle-ci. Consultez des plombiers

professionnels si vous n'êtes pas sûr de la présence de cet effet sur votre installation.

- Ne l'installez pas sur l'entrée d'eau chaude. Prenez des précautions contre le risque de congélation des tuyaux. L'intervalle de fonctionnement de la température des eaux doit être de 33 F (0,6°C) au moins et de 100 F (38 C) au plus.
- Utilisez uniquement de l'eau potable.

1.2. Utilisation Prévue

- Cet appareil est exclusivement conçu pour un usage domestique. Il n'est pas destiné à un usage commercial.
- Il doit être exclusivement utilisé pour le stockage des denrées et des boissons.
- Les produits qui nécessitent un contrôle de température précis (vaccins, médicaments sensibles à la chaleur, matériels médicaux, etc.) ne doivent pas être conservés dans le réfrigérateur.
- Le fabricant ne sera pas tenu responsable de tout dommage résultant d'une mauvaise utilisation ou manipulation.
- Les pièces détachées d'origine sont disponibles pendant 10 ans, à compter de la date d'achat du produit.

1.3. Sécurité Enfants

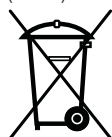
- Conservez les matériaux d'emballage hors de la portée des enfants.
- Ne laissez pas les enfants jouer avec l'appareil.

Instructions en matière de sécurité et d'environnement

- Si la porte de l'appareil est dotée d'une serrure, gardez la clé hors de la portée des enfants.

1.4. Conformité Avec la Directive DEEE et Mise Au Rebut de Votre Ancien Appareil

Cet appareil est conforme à la directive DEEE de l'Union européenne (2012/19/UE). Il porte un symbole de classification pour la mise au rebut des équipements électriques et électroniques (DEEE).



Le présent produit a été fabriqué avec des pièces et du matériel de qualité supérieure susceptibles d'être réutilisés et adaptés au recyclage. Ne le mettez pas au rebut avec les ordures ménagères et d'autres déchets à la fin de sa

durée de vie. Rendez-vous dans un point de collecte pour le recyclage de tout matériel électrique et électronique. Rapprochez-vous des autorités de votre localité pour plus d'informations concernant ces points de collecte.

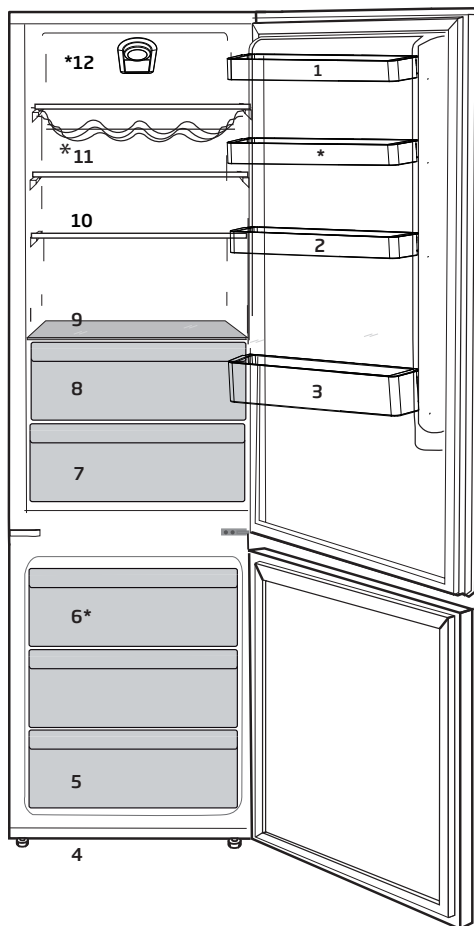
1.5. Conformité Avec la Directive RoHS

- Cet appareil est conforme à la directive DEEE de l'Union européenne (2011/65/UE). Il ne comporte pas les matériaux dangereux et interdits mentionnés dans la directive.

1.6. Informations Relatives à L'emballage

- Les matériaux d'emballage de cet appareil sont fabriqués à partir de matériaux recyclables, conformément à nos réglementations nationales en matière d'environnement. Ne mettez pas les matériaux d'emballage au rebut avec les ordures ménagères et d'autres déchets. Amenez-les plutôt aux points de collecte des matériaux d'emballage, désignés par les autorités locales.

2 Votre Réfrigérateur



1. Balconnet de porte
2. Réservoir du distributeur d'eau
3. Clayette range-bouteilles
4. Pieds réglables
5. Compartiment congélateur
6. Ventilateur de congélateur
7. Bac à légumes
8. Le compartiment des produits laitiers (entrepôt frigorifique)
9. Couvercle du bac à légumes
10. Etagères
11. Clayettes porte-bouteilles
12. Bouton du thermostat

***Peut ne pas être possible dans tous les modèles.**



Les images présentées dans ce manuel sont fournies à titre indicatif et elles peuvent ne pas correspondre exactement à votre appareil. Si votre appareil ne dispose pas des parties citées, alors l'information s'applique à d'autres modèles.

3 Installation

3.1. Lieu Idéal D'installation

Contactez le service agréé pour l'installation de votre réfrigérateur. Pour préparer l'installation du réfrigérateur, lisez attentivement les instructions du manuel d'utilisation et assurez-vous que les équipements électriques et d'approvisionnement d'eau sont installés convenablement. Si non, contactez un électricien et un plombier pour effectuer les réparations nécessaires.

	AVERTISSEMENT : Le fabricant ne sera pas tenu responsable en cas de problèmes causés par des travaux effectués par des personnes non autorisées.
	AVERTISSEMENT : Débranchez le câble d'alimentation du réfrigérateur pendant l'installation. Le non-respect de cette consigne peut entraîner la mort ou des blessures graves !
	AVERTISSEMENT : Si le cadre de la porte est trop étroit pour laisser passer l'appareil, retirez la porte et faites passer l'appareil sur les côtés ; si cela ne fonctionne pas, contactez le service agréé.

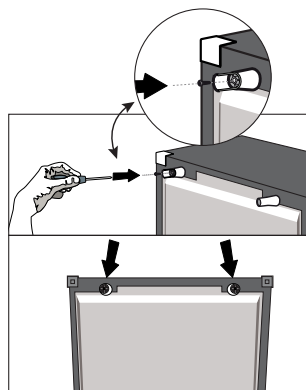
- Placez l'appareil sur une surface plane pour éviter les vibrations.
- Placez le produit à 30 cm du chauffage, de la cuisinière et des autres sources de chaleur similaires et à au moins 5 cm des fours électriques.
- N'exposez pas le produit directement à lumière du soleil et ne le laissez pas dans des environnements humides.
- Le bon fonctionnement de votre réfrigérateur nécessite la bonne circulation de l'air.
- Si le réfrigérateur est placé dans un encastrement mural, assurez-vous de laisser un espace d'au moins 5 cm avec le plafond et le mur.
- Ne placez pas le réfrigérateur dans des environnements avec des températures inférieures à -5 °C.
- Veuillez prévoir une distance d'au moins 5 cm pour la circulation de l'air entre la partie arrière de votre produit et le mur afin d'éviter la condensation sur le panneau arrière du produit.

- Votre produit nécessite une circulation d'air adéquate pour pouvoir fonctionner efficacement. S'il est placé dans une alcôve, n'oubliez pas de laisser un espace d'au moins 5 cm entre l'appareil, le plafond, la paroi arrière et les parois latérales.
- S'il est placé dans une alcôve, n'oubliez pas de laisser un espace d'au moins 5 cm entre l'appareil, le plafond, la paroi arrière et les parois latérales. Vérifiez que l'élément de protection d'espace de la façade arrière est présent à son emplacement (au cas où il est fourni avec l'appareil). Si l'élément n'est pas disponible, perdu ou tombé, positionnez l'appareil de manière à laisser un espace d'au moins 5 cm entre la surface arrière de l'appareil et les murs de la pièce. L'espace prévu à l'arrière est important pour le fonctionnement efficace de l'appareil.

3.2. Fixation des Cales en Plastique

Utilisez les cales en plastiques fournies avec le réfrigérateur pour créer une circulation d'air suffisante entre le réfrigérateur et le mur.

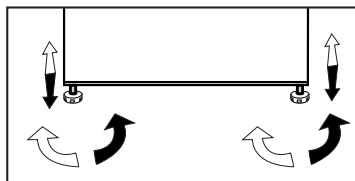
1. Pour fixer les cales, retirez les vis du réfrigérateur et utilisez celles fournies avec les cales,
2. Fixez 2 cales en plastique sur le couvercle de ventilation tel qu'illustré par l'image.



Installation

3.3. Réglage Des Pieds

Si le réfrigérateur n'est pas équilibré, réglez les pieds avant en les tournant vers la gauche ou la droite.



3.4. Branchement Électrique

	AVERTISSEMENT : Ne branchez pas le réfrigérateur sur une rallonge ou une multiprise.
	AVERTISSEMENT : Les câbles d'alimentation endommagés doivent être remplacés par le service agréé.
	Lorsque deux réfrigérateurs sont installés côte à côte, ils doivent être séparés par au moins 4 cm.

- Notre entreprise ne sera pas tenue responsable de tout dommage résultant de l'utilisation de l'appareil sans prise de mise à la terre ou branchement électrique conforme à la norme nationale en vigueur.
- Gardez la fiche du câble d'alimentation à portée de main après l'installation.
- Branchez votre réfrigérateur à une prise de mise à la terre de 220-240 V/50 Hz de tension. La fiche doit posséder un fusible de 10-16 A.
- N'utilisez pas de fiches multiples avec ou sans câble d'extension entre la prise murale et le réfrigérateur.

AVERTISSEMENT relatif à la surface chaude!

Les parois latérales de votre appareil sont équipées de conduits frigorifiques visant à améliorer le système de refroidissement. Le réfrigérant porté à des températures élevées peut jaillir à travers ces zones, entraînant ainsi le réchauffement des parois latérales. Ce phénomène est normal et ne nécessite aucun entretien. Soyez prudent au moment de toucher à ces zones.



4 Préparation

- Pour un appareil amovible, 'cet appareil de réfrigération n'est pas conçu pour être utilisé comme un appareil à encastrer.
- Votre congélateur / réfrigérateur doit être installé à au moins 30 cm des sources de chaleur telles que les plaques de cuisson, les fours, appareils de chauffage ou cuisinières, et à au moins 5 cm des fours électriques. De même, il ne doit pas être exposé à la lumière directe du soleil.
- Veuillez vous assurer que l'intérieur de votre appareil est soigneusement nettoyé.
- La température ambiante de la pièce où vous installez le congélateur / réfrigérateur doit être d'au moins -5°C. Faire fonctionner l'appareil sous des températures inférieures n'est pas recommandé et pourrait nuire à son efficacité.
- Si deux congélateur / réfrigérateurs sont installés côte à côte, ils doivent être séparés par au moins 2 cm.
- Lorsque vous faites fonctionner le congélateur / réfrigérateur pour la première fois, assurez-vous de suivre les instructions suivantes pendant les six premières heures.
- La porte ne doit pas être ouverte fréquemment.
- Le congélateur / réfrigérateur doit fonctionner à vide, sans denrées à l'intérieur.
- Ne débranchez pas le congélateur / réfrigérateur. Si une panne de courant se produit, veuillez vous reporter aux avertissements dans la section « Solutions recommandées aux problèmes ».
- L'emballage et les matériaux de protection d'emballage doivent être conservés pour les éventuels transports ou déplacements à venir.
- Les paniers/tiroirs fournis avec le compartiment rafraîchissement doivent être utilisés de manière continue pour une consommation énergétique minimale et de meilleures conditions de conservation.
- Le contact entre le capteur de température et les denrées alimentaires à l'intérieur du compartiment de congélation peut augmenter

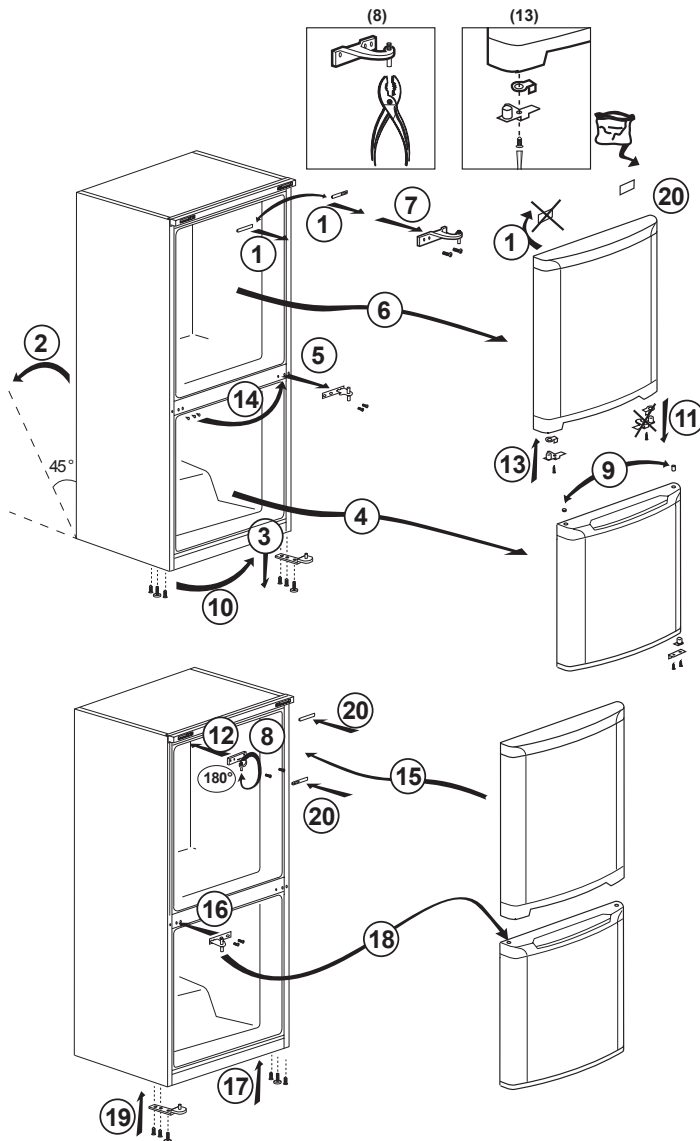
la consommation énergétique de l'appareil. Pour cette raison, les contacts avec les capteurs doivent être évités.

- Dans certains modèles, le tableau de bord s'éteint automatiquement 5 minutes après la fermeture de la portière. Il est réactivé à l'ouverture de la portière ou lorsqu'on appuie sur n'importe quelle touche.
- En raison des variations de température dues à l'ouverture ou à la fermeture de la porte de l'appareil en fonctionnement, il est normal que la condensation se forme sur la porte, les étagères ou les récipients en verre.
- Comme l'air chaud et humide ne pénètre pas directement dans votre produit lorsque les portes ne sont pas ouvertes, votre produit optimisera son fonctionnement en fonction des conditions pour protéger vos aliments. Les fonctions et les composants tels que le compresseur, le ventilateur, le chauffage, le dégivrage, l'éclairage, l'affichage, etc. fonctionneront en fonction des besoins pour consommer un minimum d'énergie dans de telles circonstances.

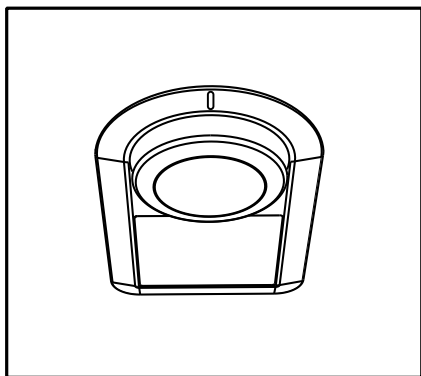
Utilisation de l'appareil

Réversibilité des portes

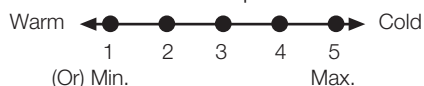
Procédez dans l'ordre numérique



5 Utilisation de votre réfrigérateur



La température de fonctionnement est réglée à l'aide de la commande de température.



0= L'appareil est hors fonction.

1 = Réglage de réfrigération le plus faible (Réglage le moins froid).

5 = Réglage de réfrigération le plus fort (Réglage le plus froid).

La température moyenne à l'intérieur du réfrigérateur doit être proche de +5 °C.

Veuillez choisir le réglage en fonction de la température désirée.

Vous remarquerez qu'il y a plusieurs températures différentes dans la zone de réfrigération.

La zone la plus froide est située directement au-dessus du bac à légumes.

La température intérieure est également fonction de la température ambiante, la fréquence d'ouverture de la porte et la quantité de denrées stockées à l'intérieur.

Si la porte est ouverte fréquemment, la température intérieure monte.

Pour cette raison, il est recommandé de refermer la porte aussitôt que possible après utilisation.

La température intérieure de votre réfrigérateur change pour les raisons suivantes:

- Températures saisonnières,
- Ouverture fréquente de la porte et porte laissée ouverte pendant de longues périodes,
- Denrées introduites dans le réfrigérateur sans refroidissement à la température ambiante,
- Emplacement du réfrigérateur dans la pièce (ex. : exposition à la lumière du soleil).
- Vous pouvez régler les différentes températures intérieures dues à de telles raisons en utilisant le thermostat. Les numéros entourant le bouton du thermostat indiquent le niveau de refroidissement.

5.1. Réfrigération

Conservation des aliments

Le compartiment réfrigérateur est destiné à la conservation à court terme d'aliments frais et boissons.

Conservez les produits laitiers dans le compartiment prévu à cet effet dans le réfrigérateur/congérateur.

Les bouteilles peuvent être stockées sur la clayette support bouteilles ou dans le balconnet range bouteilles de la porte.



Les images présentées dans ce manuel sont fournies à titre indicatif et elles peuvent ne pas correspondre exactement à votre appareil. Si votre appareil ne dispose pas des parties citées, alors l'information s'applique à d'autres modèles.

Utilisation de l'appareil

La viande crue sera conservée de manière optimale dans un sac en polyéthylène dans le compartiment situé tout en bas du réfrigérateur/congélateur.

Laissez refroidir les aliments et boissons à la température ambiante avant de les mettre dans le réfrigérateur/congélateur.

- Attention

Conservez l'alcool à forte concentration debout et bien fermé uniquement.

- Attention

Ne conservez pas de substances explosives ni de récipients à gaz propulseurs inflammables (crème en bombe, bombes aérosols etc.) Un risque d'explosion existe.

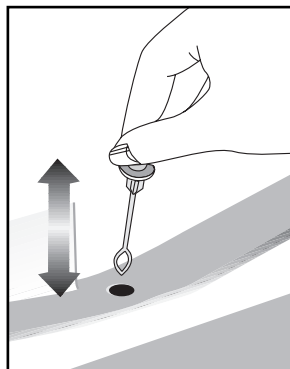
5.2. Disposition des aliments

Casier à œufs	Œufs
Clayettes du compartiment de réfrigération	Nourriture dans des casseroles, assiettes couvertes et récipients fermés
Balconnets de la porte du compartiment de réfrigération	Produits ou boissons de petite taille et sous emballage (comme du lait, des jus de fruits ou de la bière)
Bac à légumes	Fruits et légumes

Dégivrage de l'appareil

L'appareil dégivre automatiquement.

Vérifiez régulièrement le tuyau de vidange pour vous assurer qu'il n'est pas obstrué et débouchez-le en introduisant un bâton dans le trou si nécessaire.



Utilisation de l'appareil

5.3. Système de réfrigération NeoFrost :

Votre réfrigérateur est équipé de deux systèmes de réfrigération séparés destinés à refroidir le compartiment des aliments frais et le compartiment de congélation du réfrigérateur. Ainsi, l'air du compartiment des produits frais et l'air du compartiment de congélation ne sont pas mélangés. Grâce à ce système de réfrigération séparée, les vitesses de réfrigération sont beaucoup plus élevées que pour des réfrigérateurs normaux. Par ailleurs, les odeurs des compartiments ne sont pas mélangées. Par ailleurs, une économie d'énergie supplémentaire est fournie car la décongélation se fait individuellement.


5.4. Congélation des produits frais

- Enveloppez ou couvrez vos aliments avant de les placer au réfrigérateur.
- Laissez refroidir les aliments à la température ambiante avant de les placer au congélateur.
- Les denrées que vous souhaitez surgeler doivent être fraîches et en bon état.
- Il est conseillé de séparer les denrées en portions en fonction des besoins quotidiens de votre famille ou par repas.
- Les denrées doivent être emballées hermétiquement afin d'éviter qu'elles ne s'assèchent, même si elles ne doivent être conservées qu'une courte période.
- Les matériaux utilisés pour l'emballage doivent résister aux déchirures, au froid, à l'humidité, et doivent être imperméables aux odeurs, aux graisses et aux acides et être hermétiques. Par ailleurs, ils doivent fermer correctement et être composés de matériaux simples d'utilisation et adaptés à un usage dans un congélateur.
- Les denrées congelées doivent être consommées immédiatement après leur décongélation et elles ne doivent jamais être recongelées.

- Veuillez respecter les instructions suivantes afin d'obtenir les meilleurs résultats.

1. Ne congelez pas une quantité trop importante à la fois. La qualité des aliments est préservée de façon optimale lorsqu'ils sont entièrement congelés aussi rapidement que possible.
2. Le fait d'introduire des aliments chauds dans le congélateur entraîne le fonctionnement du système de refroidissement en continu jusqu'à ce que les aliments soient entièrement congelés.
3. Faites particulièrement attention à ne pas mélanger les produits déjà congelés et les produits frais.

5.5. Recommandations concernant la conservation des aliments congelés

- Pour un compartiment des denrées congelées  (4 étoiles), les aliments préemballés et surgelés, destinés à un usage commercial, doivent être conservés conformément aux instructions du fabricant de produits congelés.
 - Afin de veiller à ce que la qualité supérieure recherchée par le fabricant et le détaillant des produits congelés soit atteinte, il convient de se rappeler les points suivants :
 1. Mettre les emballages dans le congélateur aussi rapidement que possible après achat.
 2. S'assurer que le contenu est étiqueté et daté.
 3. Ne pas dépasser les dates « à consommer avant le » et « à consommer de préférence avant le » figurant sur l'emballage.

Dégivrage

Le compartiment congélateur se dégivre automatiquement.

Utilisation de l'appareil

5.6. Disposition des aliments

Clayettes du compartiment congélation	la viande, du poisson, des crèmes glacées, des légumes, etc.
Casier à œufs	Œufs
Clayettes du compartiment de réfrigération	Nourriture dans des casseroles, assiettes couvertes et récipients fermés
Balconnets de la porte du compartiment de réfrigération	Produits ou boissons de petite taille et sous emballage (comme du lait, des jus de fruits ou de la bière)
Bac à légumes	Fruits et légumes
Compartiment Fraîcheur	Produits délicats (fromage, beurre, salami, etc.)

- Matériaux nécessaires à l'emballage :
- Bande adhésive résistant au froid
- Etiquette autocollante
- Élastiques en caoutchouc
- Stylo

Les matériaux utilisés pour l'emballage des denrées doivent résister aux déchirures, au froid, à l'humidité, et doivent être imperméables aux odeurs, aux graisses et aux acides.

Il faut éviter que les denrées à congeler n'entrent en contact avec des aliments déjà congelés afin d'empêcher le dégel partiel de ces aliments.

Les denrées congelées doivent être consommées immédiatement après leur décongélation et elles ne doivent jamais être recongelées.

5.7. Informations concernant la congélation

Les denrées doivent être congelées le plus rapidement possible lorsqu'elles sont placées dans un réfrigérateur, afin de préserver leur qualité.

Il n'est possible de conserver des denrées sur de longues périodes qu'avec des températures inférieures ou égales à -18°C .

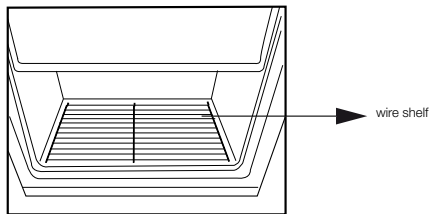
Vous pouvez conserver vos aliments surgelés pendant plusieurs mois (à des températures inférieures ou égales à -18°C dans le surgélateur).



AVERTISSEMENT !

- Il est conseillé de séparer les denrées en portions en fonction des besoins quotidiens de votre famille ou par repas.
- Les denrées doivent être emballées hermétiquement afin d'éviter qu'elles ne s'assèchent, même si elles ne doivent être conservées qu'une courte période.

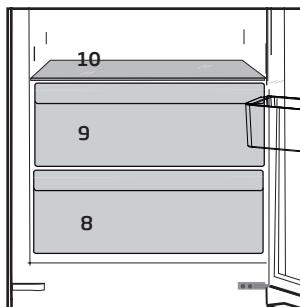
Utilisation de l'appareil



Nous vous conseillons d'utiliser les plaques réfrigérantes fournies conformément à la procédure ci-dessous avant l'activation de la fonction de congélation rapide. La capacité de conservation et de congélation rapide du compartiment congélateur s'en trouve ainsi améliorée.

5.8. Le compartiment des produits laitiers (entrepôt frigorifique)

Fournit une température plus basse que celle du compartiment réfrigérateur. Utilisez ce compartiment pour conserver les charcuteries (salami, saucisses, produits laitiers, etc.) qui nécessitent une température de conservation plus basse ou des produits à base de viande, de poulet ou de poisson destinés à une consommation immédiate. Ne conservez pas les fruits et les légumes dans ce compartiment.



6 Entretien et nettoyage

Le nettoyage régulier du produit prolonge sa durée de vie.



AVERTISSEMENT: Débranchez l'alimentation avant de nettoyer le réfrigérateur.

- N'utilisez jamais d'outils pointus et abrasifs, de savon, de produits nettoyage domestiques, d'essence, de carburant, du cirage ou des substances similaires pour le nettoyage du produit.
- Pour des appareils qui ne sont pas de la marque No Frost, des gouttes d'eau et une couche de givre pouvant atteindre la largeur d'un doigt se forment sur la paroi arrière du compartiment réfrigérateur. Ne les nettoyez pas et évitez d'y utiliser de l'huile ou des produits similaires.
- Utilisez uniquement des tissus en microfibras légèrement mouillés pour nettoyer la surface externe de l'appareil. Les éponges et autres tissus de nettoyage sont susceptibles de rayer la surface.
- Faites dissoudre une cuillerée à café de bicarbonate dans de l'eau. Trempez un morceau de tissu dans cette eau et essorez-le. Nettoyez soigneusement l'appareil avec ce chiffon et ensuite avec un chiffon sec.
- Veillez à ne pas mouiller le logement de la lampe ainsi que d'autres composants électriques.
- Nettoyez la porte à l'aide d'un torchon humide. Retirez tous les aliments de l'intérieur afin de démonter la porte et les étagères du châssis. Relevez les étagères de la porte pour les démonter. Nettoyez et séchez les étagères, puis refixez-les en les faisant glisser à partir du haut.
- N'utilisez pas d'eau contenant du chlore, ou des produits de nettoyage pour les surfaces externes et les pièces chromées de l'appareil. Le chlore entraîne la corrosion de ce type de surfaces métalliques.

- Évitez d'utiliser des objets tranchants ou abrasifs, du savon, des produits ménagers de nettoyage, des détergents, de l'essence, du benzène, de la cire, ect. ; autrement, les marques sur les pièces en plastique pourraient s'effacer et les pièces elles-mêmes pourraient présenter des déformations. Utilisez de l'eau tiède et un torchon doux pour nettoyer et sécher.

6.1. Prévention des mauvaises odeurs

À sa sortie d'usine, cet appareil ne contient aucun matériau odorant. Cependant; la conservation des aliments dans des sections inappropriées et le mauvais nettoyage de l'intérieur peuvent donner lieu aux mauvaises odeurs.

Pour éviter cela, nettoyez l'intérieur à l'aide de bicarbonate dissout dans l'eau tous les 15 jours.

- Conservez les aliments dans des récipients fermés. Des micro-organismes peuvent proliférer des récipients non fermés et émettre de mauvaises odeurs.
- Ne conservez pas d'aliments périmés ou avariés dans le réfrigérateur.

6.2. Protection des surfaces en plastique

Si de l'huile se répand sur les surfaces en plastique, il faut immédiatement les nettoyer avec de l'eau tiède, sinon elles seront endommagées.

7 Dépannage

Parcourez la liste ci-après avant de contacter le service de maintenance. Cela devrait vous éviter de perdre du temps et de l'argent. Cette liste répertorie les plaintes fréquentes ne provenant pas de vices de fabrication ou des défauts de pièces. Certaines fonctionnalités mentionnées dans ce manuel peuvent ne pas exister sur votre modèle.

Le réfrigérateur ne fonctionne pas.

- La prise d'alimentation n'est pas bien fixée. >>> Branchez-la en l'enfonçant complètement dans la prise.
- Le fusible branché à la prise qui alimente l'appareil ou le fusible principal est grillé. >>> Vérifiez le fusible.

Condensation sur la paroi latérale du congélateur (MULTI ZONE, COOL, CONTROL et FLEXI ZONE).

- La porte est ouverte trop fréquemment >>> Évitez d'ouvrir trop fréquemment la porte de l'appareil.
- L'environnement est trop humide. >>> N'installez pas l'appareil dans des endroits humides.
- Les aliments contenant des liquides sont conservés dans des récipients non fermés. Conservez ces aliments dans des emballages scellés.
- La porte de l'appareil est restée ouverte. >>> Ne laissez pas la porte du réfrigérateur ouverte longtemps.
- Le thermostat est réglé à une température trop basse. >>> Réglez le thermostat à la température appropriée.

Le compresseur ne fonctionne pas.

- En cas de coupure soudaine de courant ou de débranchement intempestif, la pression du gaz dans le système de réfrigération de l'appareil n'est pas équilibrée, ce qui déclenche la fonction de conservation thermique du compresseur. L'appareil se remet en marche au bout de 6 minutes environ. Dans le cas contraire, veuillez contacter le service de maintenance.
- L'appareil est en mode dégivrage. >>> Ce processus est normal pour un appareil à dégivrage complètement automatique. Le dégivrage se déclenche périodiquement.
- L'appareil n'est pas branché. >>> Vérifiez que le cordon d'alimentation est connecté à la prise.
- Le réglage de température est inapproprié. >>> Sélectionnez le réglage de température approprié.
- Cas de coupure de courant. >>> L'appareil continue de fonctionner normalement dès le retour du courant.

Le bruit du réfrigérateur en fonctionnement s'accroît pendant son utilisation.

- Le rendement de l'appareil en fonctionnement peut varier en fonction des fluctuations de la température ambiante. Ceci est normal et ne constitue pas un dysfonctionnement.

Dépannage

Le réfrigérateur fonctionne fréquemment ou pendant de longues périodes.

- Il se peut que le nouvel appareil soit plus grand que l'ancien. Les appareils plus grands fonctionnent plus longtemps.
- La température de la pièce est probablement élevée. Il est normal que l'appareil fonctionne plus longtemps lorsque la température de la pièce est élevée.
- L'appareil vient peut-être d'être branché ou chargé de nouveaux aliments. >>> L'appareil met plus longtemps à atteindre la température réglée s'il vient d'être branché ou récemment rempli d'aliments. Ce phénomène est normal.
- Il est possible que des quantités importantes d'aliments chauds aient été récemment placées dans l'appareil. >>> Ne placez pas d'aliments chauds dans votre appareil.
- Les portes étaient ouvertes fréquemment ou sont restées longtemps ouvertes. >>> L'air chaud circulant à l'intérieur de l'appareil le fera fonctionner plus longtemps. N'ouvrez pas les portes trop régulièrement.
- Le congélateur ou le réfrigérateur est peut-être resté entrouvert. >>> Vérifiez que les portes sont bien fermées.
- L'appareil peut être réglé à une température trop basse. >>> Réglez la température à un degré supérieur et patientez que l'appareil atteigne la nouvelle température.
- Le joint de la porte du réfrigérateur ou du congélateur peut être sale, usé, brisé ou mal positionné. >>> Nettoyez ou remplacez le joint. Si le joint de la porte est endommagé ou arraché, l'appareil mettra plus de temps à conserver la température actuelle.

La température du réfrigérateur est très basse, alors que celle du congélateur est appropriée.

- La température du compartiment congélateur est réglée à un degré très bas. >>> Réglez la température du compartiment congélateur à un degré supérieur et procédez de nouveau à la vérification.

La température du réfrigérateur est très basse, alors que celle du congélateur est appropriée.

- La température du compartiment réfrigérateur est réglée à un degré très bas. >>> Réglez la température du compartiment congélateur à un degré supérieur et procédez de nouveau à la vérification.

Les aliments conservés dans le compartiment réfrigérateur sont congelés.

- La température du compartiment réfrigérateur est réglée à un degré très bas. >>> Réglez la température du compartiment congélateur à un degré supérieur et procédez de nouveau à la vérification.

La température du compartiment réfrigérateur ou congélateur est très élevée.

- La température du compartiment réfrigérateur est réglée à un degré très élevé. >>> Le réglage de la température du compartiment réfrigérateur a un effet sur la température du compartiment congélateur. Patientez que la température des parties concernées atteigne le niveau suffisant en changeant la température des compartiments réfrigérateur et congélateur.
- Les portes étaient ouvertes fréquemment ou sont restées longtemps ouvertes. >>> N'ouvrez pas les portes trop régulièrement.
- La porte est peut-être restée ouverte. >>> Fermez hermétiquement la porte du réfrigérateur.
- L'appareil vient peut-être d'être branché ou chargé de nouveaux aliments. >>> Ce phénomène est normal. L'appareil met plus longtemps à atteindre la température réglée s'il vient d'être branché ou récemment rempli d'aliments.
- Il est possible que des quantités importantes d'aliments chauds aient été récemment placées dans l'appareil. >>> Ne placez pas d'aliments chauds dans votre appareil.

Dépannage

En cas de vibrations ou de bruits.

- Le sol n'est pas plat ou stable. >>> Si l'appareil n'est pas stable, ajustez les supports afin de le remettre en équilibre. Vérifiez également que le sol est assez solide pour supporter le poids de l'appareil.
- Des éléments placés dans le réfrigérateur pourraient faire du bruit. >>> Veuillez les retirer.

L'appareil émet un bruit d'écoulement de liquide ou de pulvérisation, etc.

- Le fonctionnement de l'appareil implique des écoulements de liquides et des émissions de gaz. >>> Ce phénomène est normal et ne constitue pas un dysfonctionnement.

L'appareil émet un sifflement.

- L'appareil effectue le refroidissement à l'aide d'un ventilateur. Ceci est normal et ne constitue pas un dysfonctionnement.

Les parois internes de l'appareil présentent une condensation.

- Un climat chaud ou humide accélère le processus de givrage et de condensation. Ceci est normal et ne constitue pas un dysfonctionnement.
- Les portes étaient ouvertes fréquemment ou sont restées longtemps ouvertes. >>> N'ouvrez pas les portes trop fréquemment ; fermez-les lorsqu'elles sont ouvertes.
- La porte est peut-être restée ouverte. >>> Fermez hermétiquement la porte du réfrigérateur.

Il y a de la condensation sur les parois externes ou entre les portes de l'appareil.

- Il se peut que le climat ambiant soit humide, auquel cas cela est normal. >>> La condensation se dissipe lorsque l'humidité baisse.

Présence d'une odeur désagréable dans l'appareil.

- L'appareil n'est pas nettoyé régulièrement. >>> Nettoyez régulièrement l'intérieur du réfrigérateur en utilisant une éponge, de l'eau chaude et du bicarbonate.
- Certains récipients et matériaux d'emballage sont peut-être à l'origine de mauvaises odeurs. >>> Utilisez des récipients et des emballages exempts de toute odeur.
- Les aliments ont été placés dans des récipients non fermés. >>> Conservez les aliments dans des récipients fermés. Les micro-organismes pourraient se propager sur les produits alimentaires non fermés et émettre de mauvaises odeurs. Retirez tous les aliments périmés ou avariés de l'appareil.

La porte ne se ferme pas.

- Des emballages d'aliments peuvent bloquer la porte. >>> Déplacez tout ce qui bloque les portes.
- L'appareil ne se tient pas parfaitement droit sur le sol. >>> Ajustez les pieds afin de remettre l'appareil en équilibre.
- Le sol n'est pas plat ou stable. >>> Assurez-vous que le sol est plat et assez solide pour supporter le poids de l'appareil.

Le bac à légumes est engorgé.

- Il est possible que les aliments soient en contact avec la section supérieure du tiroir. >>> Reclassez les aliments dans le tiroir.

Si La Surface De L'appareil Est Chaude

- Vous pouvez observer une élévation de la température entre les deux portes, sur les panneaux latéraux et au niveau de la grille arrière pendant le fonctionnement de l'appareil. Ce phénomène est normal et ne nécessite aucune opération d'entretien !



AVERTISSEMENT :

Si le problème persiste même après observation des instructions contenues dans cette partie, contactez votre fournisseur ou un service de maintenance agréé. N'essayez pas de réparer l'appareil de vous-même.

CLAUDE DE NON-RESPONSABILITÉ / AVERTISSEMENT

Il est possible de remédier à certaines défaillances (simples) de manière adéquate par l'utilisateur final sans qu'il y ait de problème de sécurité ou d'utilisation dangereuse, à condition qu'elles soient effectuées dans les limites et conformément aux instructions suivantes (voir la section « Auto-réparation »).

Dès lors, sauf autorisation contraire dans la section « Auto-réparation » ci-dessous, les réparations doivent être adressées à des réparateurs professionnels agréés afin d'éviter les problèmes de sécurité. Un réparateur professionnel agréé est un réparateur professionnel à qui le fabricant a donné accès aux instructions et à la liste des pièces détachées de ce produit selon les méthodes décrites dans les actes législatifs en application de la directive 2009/125/CE.

Par contre, tel que mentionné dans le manuel d'utilisation/carte de garantie, seul l'agent de service (c'est-à-dire les réparateurs professionnels agréés) que vous pouvez joindre au numéro de téléphone indiqué dans le manuel d'utilisation/carte de garantie ou par l'intermédiaire de votre revendeur agréé peut fournir un service dans le cadre des conditions de garantie. Par conséquent, veuillez noter que les réparations effectuées Beko par des réparateurs professionnels (qui ne sont pas autorisés par) annuleront la garantie.

Auto-réparation

L'utilisateur final peut lui-même réparer les pièces de rechange ci-après : poignées de porte, charnières de porte, plateaux, paniers et joints de porte (une liste mise à jour est également disponible à l'adresse support.beko.com au 1er mars 2021).

En outre, pour garantir la sécurité du produit et éviter tout risque de blessure grave, l'autoréparation mentionnée doit

être effectuée en suivant les instructions du manuel d'utilisation pour l'autoréparation ou qui sont disponibles dans support.beko.com. Pour votre sécurité, débranchez le produit avant de tenter toute autoréparation.

Les réparations et tentatives de réparation par les utilisateurs finaux pour les pièces ne figurant pas dans cette liste et/ou ne suivant pas les instructions des manuels d'utilisation pour l'autoréparation ou qui sont disponibles dans support.beko.com, pourrait donner lieu à des problèmes de sécurité non imputables à Beko, et annulera la garantie du produit.

Il est donc fortement recommandé aux utilisateurs finaux de s'abstenir de tenter d'effectuer des réparations ne figurant pas sur la liste des pièces de rechange mentionnée, en s'adressant dans ce cas à des réparateurs professionnels autorisés ou à des réparateurs professionnels agréés.

Au contraire, de telles tentatives de la part des utilisateurs finaux peuvent causer des problèmes de sécurité et endommager le produit et, par la suite, provoquer un incendie, une inondation, une électrocution et des blessures corporelles graves.

Sans être exhaustives, les réparations suivantes par exemple doivent être effectuées par des personnes qualifiées : les réparateurs professionnels ou les réparateurs professionnels agréés : compresseur, circuit de refroidissement, carte mère, carte de convertisseur, carte d'affichage, etc.

Le fabricant/vendeur ne peut être tenu responsable dans tous les cas où les utilisateurs finaux ne se conforment pas à ce qui précède.

La disponibilité des pièces de rechange du réfrigérateur que vous avez acheté est de 10 ans.

Pendant cette période, des pièces de rechange originales seront disponibles pour faire fonctionner correctement le réfrigérateur.

La durée minimale de garantie du réfrigérateur que vous avez acheté est de 24 mois.

Cet appareil est doté d'une source d'éclairage de classe énergétique «G». Seuls des réparateurs qualifiés sont autorisés à procéder au remplacement de la source d'éclairage de cet appareil.



FR
Cet appareil et ses accessoires se recyclent

REPRISE À LA LIVRAISON À DÉPOSER EN MAGASIN À DÉPOSER EN DÉCHÈTERIE

Points de collecte sur www.quefairedemesdechets.fr
Privilégiez la réparation ou le don de votre appareil !



FR
ÉLÉMENT(S)
PAPIER

Caro Cliente,

Gostaríamos que aproveitasse a óptima eficiência do nosso produto, fabricado em modernas instalações segundo controlos de qualidade meticulosos.

Para este propósito, ler integralmente o guia do utilizador antes de utilizar o produto e manter o guia como fonte de referência. Se ceder este produto a outra pessoa, fornecer este guia em conjunto com o produto.

O guia do utilizador assegura a utilização rápida e segura do produto.



- Ler o guia do utilizador antes de instalar e operar com o produto.
- Observar sempre as instruções de segurança aplicáveis.
- Manter o guia do utilizador em local de fácil acesso para uso futuro.
- Ler quaisquer outros documentos fornecidos com o produto.

Ter em mente que este guia do utilizador é aplicável a vários modelos do produto. O guia indica claramente quaisquer variações de modelos diferentes.

Símbolos e Observações

No guia do utilizador são usados os símbolos seguintes:

	Informações importantes e dicas úteis.
	Risco de vida e do equipamento.
	Risco de choque eléctrico.
	A embalagem do produto é feita com materiais recicláveis, de acordo com a Legislação Ambiental Nacional.

 INFORMAÇÃO	
	A informação do modelo conforme memorizada na base de dados do produto pode ser acedida entrando no seguinte sítio web e através da busca do identificador do seu modelo (*) que se encontra na etiqueta de classificação energética. https://eprel.ec.europa.eu/

Conteúdo

1 Instruções de segurança e ambientais 3

- 1.1. Segurança geral 3
 - 1.1.1 Advertência HC 5
 - 1.1.2 Para modelos com dispensador de água 5
- 1.2. Utilização prevista 5
- 1.3. Segurança das crianças 5
- 1.4. Em conformidade com a Directiva REEE e Eliminação de Resíduos 5
- 1.5. Em conformidade com a Directiva RSP 6
- 1.6. Informação da embalagem 6

2 Frigorífico 7

3 Instalação 8

- 3.1. Pontos a serem considerados ao transportar novamente o seu frigorífico 8
- 3.2. Antes de funcionar o seu frigorífico 8
- 3.3 Instalar os calços de plástico 8
- 3.4 Ligação eléctrica 9
- 3.5 Eliminação da embalagem 9
- 3.6 Eliminação do seu frigorífico velho. . 9
- 3.7 Colocação e instalação 9
- 3.8 Aviso de porta aberta. 10
- 3.9 Alterar a direcção da abertura da porta 10
- 3.10 Substituir a lâmpada de iluminação 10
- 3.11 Módulo desodorizador 11

4 Preparação 12

5 Utilizar o seu refrigerador 13

- Aviso de porta aberta 14
- Substituir a lâmpada de iluminação ... 14
- Arrefecimento 14
- Colocação dos alimentos 14
- O compartimento de laticínios (armazenamento frio) 17
- Recomendações para o compartimento de alimentos frescos 17

6 Manutenção e limpeza 18

- 6.1. Prevenir maus cheiros 18
- 6.2. Proteger superfícies de plástico ... 18

7. Resolução de problemas 19

1 Instruções de segurança e ambientais

Esta secção fornece as instruções de segurança necessárias para prevenir risco de lesões e danos materiais. O não cumprimento destas instruções invalidará todos os tipos de garantia do produto.

1.1. Segurança geral

AVISO:

Manter as aberturas de ventilação, na caixa de proteção do aparelho ou na estrutura embutida, sem obstruções.

ADVERTÊNCIA:

Não usar dispositivos mecânicos nem outros meios para acelerar o processo de descongelação, exceto os recomendados pelo fabricante.

AVISO:

Não danificar o circuito de refrigeração.

ADVERTÊNCIA:

Não usar aparelhos eléctricos no interior dos compartimentos de armazenamento de alimentos do aparelho, a menos que sejam do tipo recomendado pelo fabricante.

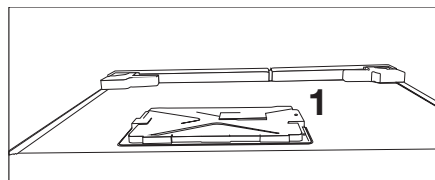
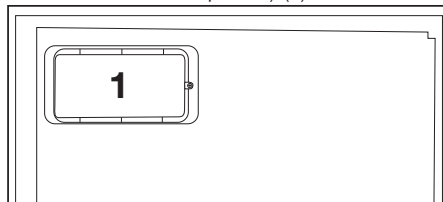


Este aparelho é destinado a ser usado em uso doméstico e aplicações similares como

- zonas de cozinha em estabelecimentos comerciais, escritórios ou outros ambientes laborais;
- casas rurais e pelos clientes em hotéis, motéis e outros ambientes de tipo residencial;
- ambientes de tipo alojamento e pequeno almoço;
- utilizações de refeições e outros não-retalhistas similares.

- Este produto não deve ser usado por pessoas com deficiências físicas, sensoriais e mentais, sem conhecimento e experiência suficiente ou por crianças. O dispositivo apenas pode ser usado por estas pessoas sob supervisão e instrução de uma pessoa responsável pela sua segurança. As crianças não devem ser autorizadas a brincar com este aparelho.

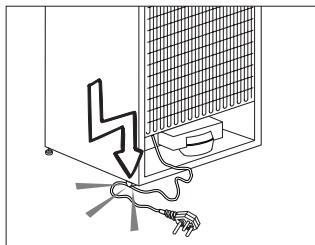
- Em caso de mau funcionamento, desligue o aparelho.
- Depois de desligar, aguarde pelo menos 5 minutos antes de ligar novamente. Desligar o produto quando não está em uso. Não tocar na ficha com as mãos molhadas! Não puxar pelo cabo para desligar, segurar sempre pela ficha.
- Não ligar o frigorífico se a tomada estiver solta.
- Desligar o produto durante a instalação, manutenção, limpeza e reparação.
- Se o produto não for usado por uns tempos, desligar o produto e retirar quaisquer alimentos do interior.
- Não utilizar materiais de limpeza a vapor ou vapor para limpar o frigorífico e derreter o gelo no interior. O vapor pode entrar em contacto com as áreas electrificadas e causar curto-circuito ou choque eléctrico!
- Não lavar o produto pulverizando-o ou deitando água sobre o mesmo! Perigo de choque eléctrico!
- Nunca usar o produto se a secção localizada na parte superior ou traseira do seu produto com placas de circuitos impressos electrónicos no interior estiver aberta (tampa da placa de circuito electrónico impresso) (1).



- Em caso de mau funcionamento, não usar o produto, porque pode provocar um choque eléctrico. Contactar a assistência autorizada antes de fazer alguma coisa.
- Ligar o produto a uma tomada com ligação à terra. A ligação à terra deve ser feita por um electricista qualificado.

Instruções de segurança e ambientais

- Se o produto tem luz tipo LED, contactar a assistência autorizada para substituir ou em caso de quaisquer problemas.
- Não tocar em alimentos congelados com as mãos molhadas! Podem aderir às suas mãos!
- Não colocar líquidos em garrafas e latas no compartimento de congelação. Podem explodir!
- Colocar os líquidos em posição vertical depois de fechar a tampa firmemente.
- Não pulverizar substâncias inflamáveis perto do produto, podem incendiar ou explodir.
- Não manter no frigorífico materiais inflamáveis e produtos com gás inflamável (sprays, etc.).
- Não colocar recipientes com líquidos em cima do produto. Pulverizar água sobre as partes eléctricas pode causar choque eléctrico e risco de incêndio.
- Expor o produto à chuva, neve, sol e vento pode causar perigo eléctrico. Quando recolocar o produto, não puxar pelo puxador da porta. O puxador pode soltar-se.
- Ter cuidado para evitar prender qualquer parte das suas mãos ou corpo em alguma das partes móveis dentro do produto.
- Não pisar ou apoiar-se nas portas, gavetas e peças similares do frigorífico. Isto pode causar avaria do produto e danificar as partes.
- Ter cuidado para não prender o cabo de alimentação.
- **Ao instalar o eletrodoméstico, certifique-se de que o cabo de alimentação não fica entalado nem danificado.**
- **Não coloque tomadas múltiplas nem fontes de alimentação portáteis junto à parte traseira do eletrodoméstico.**
- **O seu frigorífico Side-by-Side requer uma ligação de água. Se ainda não existir uma torneira de água disponível e se for necessário chamar um canalizador, ter em atenção que: No caso da sua casa estar equipada com um sistema de aquecimento do pavimento, deve ter em atenção que fazer furos no teto em betão pode danificar este sistema de aquecimento.**
- As crianças com idade entre 3 e 8 anos podem colocar e retirar cargas de aparelhos de refrigeração.
- Para evitar a contaminação dos alimentos, respeite as instruções a seguir apresentadas:
 - – abrir a porta durante longos períodos de tempo pode causar um aumento de temperatura significativo nos compartimentos do aparelho;
 - – limpe regularmente as superfícies que podem entrar em contacto com alimentos, assim como os sistemas de drenagem acessíveis;
 - – limpe os reservatórios de água se não forem utilizados durante 48 horas; lave o sistema de ligação ao fornecimento de água, se não tiver sido extraída água durante 5 dias;
 - – armazene carne e peixe crus em recipientes adequados, no frigorífico, para que não entrem em contacto ou pinguem para os outros alimentos;
 - – os compartimentos para congelação de alimentos de duas estrelas são adequados para armazenar alimentos pré-congelados, armazenar ou fazer gelados e fazer cubos de gelo;
 - – os compartimentos de uma, duas e três estrelas não são adequados para congelar alimentos frescos;
 - – se o aparelho de refrigeração ficar vazio durante longos períodos de tempo, desligue, descongele, limpe, seque e deixe a porta aberta para evitar a formação de bolor no interior do aparelho.



Instruções de segurança e ambientais

1.1.1 Advertência HC

Se o produto inclui um sistema de refrigeração com gás R600a, ter cuidado para não danificar o sistema de arrefecimento e a sua tubagem durante a utilização e movimentação do produto. O gás é inflamável. Se o sistema de refrigeração estiver danificado, manter o produto longe de fontes de ignição e ventilar imediatamente o espaço onde o frigorífico se encontra.



A etiqueta no lado esquerdo interior indica o tipo de gás usado no produto.

1.1.2 Para modelos com dispensador de água

- A pressão para a entrada de água fria deve ser no máximo de 90 psi (620 kPa). Se a sua pressão de água exceder 80 psi (550 kPa, utilize uma válvula limitadora de pressão no seu sistema de alimentação. Se não sabe como verificar a sua pressão de água, deve solicitar a ajuda de um canalizador profissional.
- Se existir o risco de o golpe de ariete afetar a sua instalação, deve utilizar sempre um equipamento de prevenção do golpe de ariete na sua instalação. Deve consultar os canalizadores profissionais se não tiver a certeza se existe o efeito de golpe de ariete na sua instalação.
- Não instalar na entrada de água quente. Deve tomar precauções relativamente ao risco de congelamento nas tubagens. O intervalo de funcionamento de temperatura da água deve ser 33°F (0,6°C) de mínimo e 100°F (38°C) de máximo.
- Usar apenas água potável.

1.2. Utilização prevista

- Este produto é concebido para utilização doméstica. Não está previsto para utilização comercial.

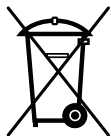
- O produto deve ser utilizado apenas para armazenar alimentos e bebidas.
- Não manter no frigorífico produtos sensíveis que requerem temperaturas controladas (vacinas, medicamentos sensíveis ao calor, equipamentos médicos, etc.).
- O fabricante não assume responsabilidades por qualquer dano devido a uso indevido ou inadequado.
- O tempo de vida do produto é de 10 anos. As peças sobresselentes necessárias ao funcionamento do produto estarão disponíveis durante o referido período de tempo.

1.3. Segurança das crianças

- Manter os materiais de embalagem fora do alcance das crianças.
- Não permitir que as crianças brinquem com o produto.
- Se a porta do produto incluir uma fechadura, manter a chave fora do alcance das crianças.

1.4. Em conformidade com a Directiva REEE e Eliminação de Resíduos

Este produto está em conformidade com a Directiva UE REEE (2012/19/UE). Este produto tem um símbolo de classificação de resíduos de equipamentos eléctricos e electrónicos (REEE).



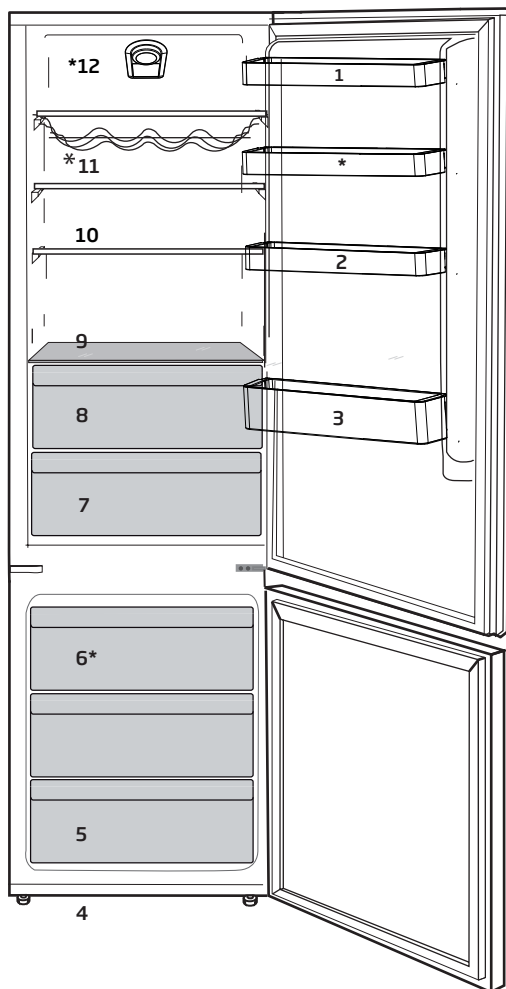
Este produto foi fabricado com peças de alta qualidade e materiais que podem ser reutilizados e são adequados para reciclagem. Não eliminar os resíduos como resíduos domésticos normais ou outros no fim da vida útil. Colocar no centro de recolha para a reciclagem de equipamentos eléctricos e electrónicos. Consultar as autoridades locais para indicação destes centros de recolha.

1.5. Em conformidade com a Directiva RSP

- Este produto está em conformidade com a Directiva UE REEE (2011/65/UE). Não contém materiais nocivos e proibidos especificados na Directiva.

1.6. Informação da embalagem

- Os materiais de embalagem do produto são fabricados com materiais recicláveis de acordo com os nossos Regulamentos Ambientais Nacionais. Não eliminar os materiais de embalagem junto com lixos domésticos ou outros. Colocar nos pontos de recolha de material de embalagem designados pelas autoridades locais.



- | | |
|--|--|
| <ol style="list-style-type: none"> 1. Prateleira da porta 2. Suportes para ovos 3. Prateleira para garrafas 4. Pés ajustáveis 5. Compartimento do congelador 6. Ventilador de congelador 7. Gavetas para frutos e legumes | <ol style="list-style-type: none"> 8. O compartimento de laticínios (armazenamento frio) 9. Chiller cover and glass 10. Tampa da gaveta para frutos e legumes 11. Garrafeira 12. Painel de controlo |
|--|--|

***OPCIONAL**



*Opcional: As imagens neste guia do utilizador são esquemáticas e podem não coincidir exactamente com o seu produto. Se o seu produto não incluir partes relevantes, a informação diz respeito a outros modelos.

3 Instalação



Por favor, lembre-se de que o fabricante não pode ser responsabilizado se não forem observadas as informações fornecidas no manual de instruções.

3.1. Pontos a serem considerados ao transportar novamente o seu frigorífico

1. O seu frigorífico deve ser esvaziado e limpo antes de ser transportado.
2. As prateleiras, acessórios, gaveta para frutas e legumes, etc. do seu frigorífico devem ser firmemente presos com fita adesiva, devido aos solavancos antes de voltar a empacotá-lo.
3. A embalagem deve ser amarrada com fitas grossas e cordas fortes e devem ser seguidas as normas de transporte indicadas na mesma.

Não se esqueça...

Todo material reciclado é uma fonte indispensável para a natureza e para os nossos recursos nacionais.

Se quiser contribuir para a reciclagem dos materiais da embalagem, pode obter mais informações nos organismos relativos ao ambiente ou junto das autoridades locais.

3.2. Antes de funcionar o seu frigorífico

Antes de iniciar a utilização do seu frigorífico, verifique o seguinte:

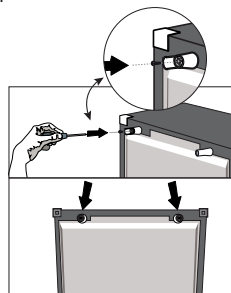
1. Limpe o interior do frigorífico conforme recomendado na secção "Manutenção e limpeza".

2. Ligue o frigorífico à tomada eléctrica. A luz interior acender-se-á quando a porta do frigorífico for aberta.
3. Ouvirá um ruído quando o compressor começar a trabalhar. O líquido e os gases no interior do sistema de refrigeração também podem fazer algum ruído, mesmo que o compressor não esteja a funcionar, o que é perfeitamente normal.
4. As arestas da frente do frigorífico podem ficar quentes. Isto é normal. Estas arestas são projectadas para ficarem quentes, a fim de evitar a condensação.
5. Deve deixar uma distância de pelo menos 5 cm para circulação do ar entre a parte traseira do seu produto e a parede para evitar a formação de condensação no painel traseiro do produto

3.3 Instalar os calços de plástico

Os calços de plástico fornecidos com o produto são usados para criar a distância para a circulação de ar entre o produto e a parede de trás.

1. Para instalar os calços, retirar os parafusos no produto e usar os parafusos fornecidos em conjunto com os calços.
2. Inserir os 2 calços de plástico na tampa de ventilação de trás como mostrado na figura.



3.4 Ligação eléctrica

Ligue o seu produto a uma tomada de terra, que esteja protegida por um fusível com a capacidade apropriada. Importante:

- A ligação deve estar em concordância com os regulamentos nacionais.
- A ficha do cabo de alimentação deve estar facilmente acessível após a instalação.
- A voltagem especificada deve ser igual à sua voltagem eléctrica.
- Não devem ser usados cabos de extensão e fichas multiusos para a ligação.



Um cabo de alimentação danificado deve ser substituído por um electricista qualificado.



O produto não deve ser utilizado antes de ser reparado! Há risco de choque eléctrico!

3.5 Eliminação da embalagem

Os materiais de embalagem podem ser perigosos para as crianças. Guarde os materiais da embalagem fora do alcance das crianças ou elimine-os, classificando-os de acordo com as instruções sobre o lixo. Não os elimine juntamente com o lixo doméstico normal.

A embalagem do seu frigorífico é produzida com materiais recicláveis.

3.6 Eliminação do seu frigorífico velho

Elimine o seu frigorífico velho sem causar qualquer perigo ao meio ambiente.

- Pode consultar o seu revendedor autorizado ou o centro de recolha do lixo do seu município a respeito da eliminação do seu frigorífico.

Antes de se desfazer do seu frigorífico, corte a ficha eléctrica e, se houver trincos nas portas, deixe-os inutilizados, a fim de proteger as crianças contra qualquer perigo.

3.7 Colocação e instalação



Se a porta de entrada do compartimento onde o frigorífico será instalado não for o suficientemente larga para que ele passe, chame o serviço de assistência autorizado para que possam remover as portas do seu frigorífico e passá-lo de forma inclinada através da porta.

1. Instale o seu frigorífico num local que permita fácil acesso.
2. Mantenha o seu frigorífico longe das fontes de calor, lugares húmidos e luz solar directa.
3. Deve existir uma circulação de ar adequada à volta do seu frigorífico, para que obtenha um funcionamento eficiente. Se o frigorífico for colocado numa reentrância da parede, deve haver uma distância mínima de 5cm do tecto e, pelo menos, 5 cm da parede. Se o piso for coberto por alcatifa, o seu produto deve ter uma elevação de 2,5 cm do chão.
4. Coloque o seu frigorífico num pavimento uniforme para evitar solavancos.



ADVERTÊNCIA: Advertência de Superfície Quente

As paredes laterais do seu produto estão equipadas com tubos refrigerantes para melhorar o sistema de refrigeração. O refrigerante com altas temperaturas pode fluir através destas áreas, resultando em superfícies quentes nas paredes laterais. Isto é normal e não exige qualquer reparação. Deve ter cuidado quando tocar nestas áreas.

3.8 Aviso de porta aberta

Um aviso sonoro será dado quando a porta do frigorífico ou do congelador do seu produto for deixada aberta durante um certo período de tempo. O aviso sonoro silenciará ao premir qualquer botão no indicador ou ao fechar a porta.

3.9 Alterar a direcção da abertura da porta

A direcção de abertura da porta do seu frigorífico pode ser modificada de acordo com o local em que o está a utilizar. Se necessário, contacte a sua Assistência técnica mais próxima.

3.10 Substituir a lâmpada de iluminação

Para substituir a lâmpada utilizada para a iluminação do seu frigorífico, por favor chame o seu Serviço de Assistência Autorizado.

A(s) lâmpada(s) usada(s) neste aparelho não é ou não são adequada(s) para a iluminação do espaço. A finalidade desta lâmpada é auxiliar o utilizador a colocar produtos alimentares no frigorífico/ congelador, de uma forma confortável e segura.

As lâmpadas usadas neste aparelho têm de suportar condições físicas extremas, tais como temperaturas abaixo de -20°C.

3.11 Módulo desodorizador (FreshGuard) *opcional

O módulo desodorizador elimina rapidamente os maus cheiros do seu frigorífico antes que eles penetrem nas superfícies. Graças a este módulo, que é colocado no teto do compartimento de alimentos frescos, os maus odores dissolvem-se enquanto o ar está a ser passado ativamente no filtro de odores, depois o ar que foi limpo pelo filtro é reemitido para o compartimento de alimentos frescos. Desta forma, os odores indesejados que podem surgir durante o armazenamento dos alimentos no frigorífico são eliminados antes de penetrarem nas superfícies.

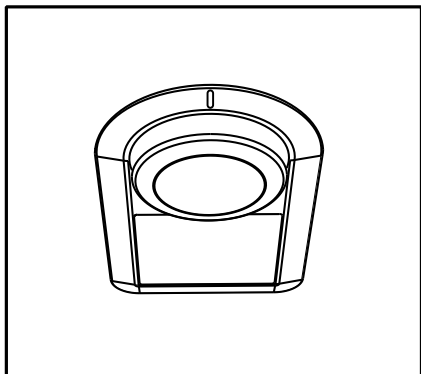
Isto é conseguido graças à ventoinha, ao LED e ao filtro de odores integrados no módulo. No uso diário, o módulo desodorizador será ligado automaticamente numa base periódica. Para manter um desempenho eficiente, recomenda-se solicitar ao prestador de assistência técnica autorizado que faça a manutenção do filtro no módulo do desodorizador a cada 5 anos. Devido à ventoinha integrada no módulo, o ruído que ouvirá durante o funcionamento é normal. Se abrir a porta do compartimento de alimentos frescos enquanto o módulo estiver ativo, a ventoinha fará uma pausa temporária e continuará de onde parou algum tempo depois da porta se novamente fechada. Em caso de falha de energia, o módulo do desodorizador retomará de onde parou na duração total de funcionamento quando a energia voltar.

Info: Recomenda-se armazenar alimentos aromáticos (como queijo, azeitonas e alimentos de charcutaria) nas suas embalagens e seladas para evitar odores desagradáveis que podem resultar quando se misturam odores de vários alimentos. Além disso, recomenda-se retirar rapidamente os alimentos estragados do frigorífico para evitar que os outros alimentos fiquem estragados e para se evitar os maus odores.

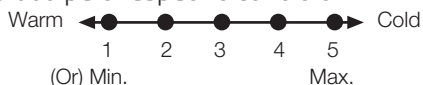
4 Preparação

- Para um aparelho de instalação independente: "este frigorífico não se destina a ser usado como um aparelho de encastrar.
- O seu frigorífico deverá ser instalado a uma distância mínima de 30 cm de quaisquer fontes de calor, tais como placas, fornos, aquecimento central e fogões e de 5 cm de fornos eléctricos e não deverá ficar exposto directamente à luz solar.
- A temperatura ambiente do compartimento onde está instalado o seu frigorífico não deve ser inferior a - 5 °C. Utilizar o seu frigorífico em condições de temperatura mais baixas não é recomendado em atenção à sua eficiência.
- Certifique-se de que o interior do seu frigorífico esteja completamente limpo.
- Se forem instalados dois frigoríficos lado a lado, deverá existir uma distância mínima de 2 cm entre eles.
- Quando utilizar o seu frigorífico pela primeira vez, por favor, observe as seguintes instruções durante as seis horas iniciais.
- A porta não deverá ser aberta frequentemente.
- Deve começar a funcionar vazio, sem alimentos no interior.
- Não retire a ficha da tomada do seu frigorífico. Se houver uma falha de energia inesperada, por favor, consulte os avisos na secção "Soluções recomendadas para os problemas".
- A embalagem original e os materiais de esponja deverão ser guardados para transportes ou deslocações futuras.
- Os cestos/gavetas que são fornecidos com o compartimento para os frescos têm de ser sempre utilizados para um menor consumo de energia e para melhores condições de armazenamento.
- O contacto dos alimentos com o sensor de temperatura no compartimento do congelador pode aumentar o consumo de energia do aparelho. Assim deve ser evitado qualquer contacto com o(s) sensor(es).
- Nalguns modelos, o painel de instrumentos desliga-se automaticamente 5 minutos depois da porta ter sido fechada. Será reactivado quando a porta for aberta ou quando for premida qualquer tecla.
- Devido a mudanças de temperatura, em consequência da abertura/ fecho da porta do produto durante o funcionamento, é normal que se produza condensação na porta/ prateleiras e recipientes de vidro da estrutura.
- Já que o ar quente e húmido não irá penetrar diretamente o seu produto enquanto as portas não estiverem abertas, o seu produto irá otimizar-se por si próprio para possuir condições suficientes para proteger os seus alimentos. As funções e os componentes como o compressor, a ventoinha, o aquecedor, o descongelador, a iluminação, o visor, entre outros, funcionarão de acordo com as necessidades para o consumo mínimo de energia nestas circunstâncias.

5 Utilizar o seu refrigerador



A temperatura de funcionamento é regulada pelo respetivo controlo.



0=0 arrefecimento do sistema está desligado.

1 = Definição de arrefecimento mais baixa (Definição mais quente).

5 = Definição de arrefecimento mais elevada (Definição mais fria)

A temperatura média dentro do frigorífico deve ser cerca de +5°C.

Escolha a definição de acordo com a temperatura pretendida.

Note que existem temperaturas diferentes na área de arrefecimento.

A área mais fria está imediatamente acima do compartimento para vegetais.

A temperatura inferior também depende da temperatura ambiente, da frequência com que a porta é aberta e da quantidade de alimentos mantidos no interior do equipamento.

A abertura frequente da porta faz subir a temperatura inferior.

Assim, recomendamos o fecho da porta o mais rapidamente possível após a utilização.

A temperatura interior do seu frigorífico altera-se pelas seguintes razões:

- Temperaturas sazonais,
- Abertura frequente da porta e deixar porta aberta durante longos períodos,
- Alimentos guardados no frigorífico sem que estejam arrefecidos até a temperatura ambiente,
- A localização do frigorífico na divisão da casa (por exemplo: exposição à luz solar).
- Deve ajustar a variação da temperatura interior devido a esses motivos, usando o termóstato. Os números em volta do botão do termóstato indicam os graus de arrefecimento.
- Se a temperatura ambiente estiver mais alta do que 32°C, rode o botão do termóstato até à posição máxima.
- Se a temperatura ambiente for inferior a 25°C, rode o botão do termóstato para a posição mínima.



*Opcional: As imagens neste guia do utilizador são esquemáticas e podem não coincidir exactamente com o seu produto. Se o seu produto não incluir partes relevantes, a informação diz respeito a outros modelos.

Utilizar o produto

Arrefecimento

Armazenamento de alimentos

O compartimento do frigorífico destinase a armazenar, durante um curto período de tempo, alimentos frescos e bebidas.

Guarde os produtos lácteos no compartimento destinado para o efeito no refrigerador/congelador.

As garrafas podem ser guardadas no respectivo suporte, ou na prateleira para garrafas existente na porta.

A carne crua deve ser guardada num saco de polietileno, na parte mais inferior do refrigerador/congelador.

Deixe as bebidas e alimentos quentes arrefecerem antes de os colocar no refrigerador/congelador.

- Atenção

Guarde álcool concentrado apenas na vertical e hermeticamente fechado.

- Atenção

Não guarde substâncias explosivas nem recipientes com gases inflamáveis (natas enlatadas, aerossóis, etc.) no equipamento. Existe perigo de explosão.

Colocação dos alimentos

Bandeja para ovos	Ovo
Prateleiras do compartimento do frigorífico	Alimentos em panelas, pratos cobertos e recipientes fechados
Prateleiras da porta do compartimento do frigorífico	Pequenos alimentos embalados ou bebidas (tais como leite, sumo de frutas e cerveja)

Gaveta para frutos e legumes	Legumes e frutas
------------------------------	------------------

Descongelação do equipamento

O aparelho descongela automaticamente.

Aviso de porta aberta

Um aviso sonoro será dado quando a porta do frigorífico ou do congelador do seu produto for deixada aberta durante um certo período de tempo. O aviso sonoro silenciará ao premir qualquer botão no indicador ou ao fechar a porta.

Substituir a lâmpada de iluminação

Para substituir a lâmpada utilizada para a iluminação do seu frigorífico, por favor chame o seu Serviço de Assistência Autorizado.

A(s) lâmpada(s) usada(s) neste aparelho não é ou não são adequada(s) para a iluminação do espaço. A finalidade desta lâmpada é auxiliar o utilizador a colocar produtos alimentares no frigorífico/congelador, de uma forma confortável e segura.

As lâmpadas usadas neste aparelho têm de suportar condições físicas extremas, tais como temperaturas abaixo de -20°C.

Congelar alimentos frescos

- É preferível envolver ou cobrir os alimentos antes de colocá-los no frigorífico.

- Os alimentos quentes devem ser arrefecidos à temperatura ambiente antes de serem colocados no frigorífico.

- Os alimentos que pretende congelar devem ser frescos e de boa qualidade.

- Os alimentos devem estar repartidos em porções de acordo com o quotidiano familiar ou as necessidades de consumo de refeições.

- Os alimentos deverão ser embalados de uma forma hermética para evitar que sequem mesmo que venham a ser guardados durante pouco tempo.

- Os materiais a serem utilizados para embalar os alimentos deverão ser à prova de rompimento e resistentes ao frio, humidade, cheiros, óleos e ácidos e também devem ser herméticos. Além disso, devem estar bem fechados e devem ser feitos de materiais fáceis de manusear, que sejam apropriados para fins de congelação.

- Os alimentos a congelar devem ser colocados no compartimento do congelador. (Não deverão entrar em contacto com os itens congelados anteriormente para evitar a sua descongelação parcial. A capacidade de congelação do seu produto é fornecida nas especificações técnicas do seu frigorífico).

- Os períodos dados na informação sobre congelação devem ser observados nos momentos de armazenamento.

- Os alimentos congelados deverão ser usados imediatamente depois de serem descongelados e nunca deverão ser recongelados.


- Para obter os melhores resultados, as instruções a seguir apresentadas devem ser tomadas em linha de conta.

- 1.** Não congele grandes quantidades de alimento de uma só vez. A qualidade dos alimentos é melhor preservada quando a congelação atinge o interior no menor tempo possível.

- 2.** A colocação de alimentos quentes no compartimento do congelador obriga o sistema de refrigeração a um funcionamento contínuo até à completa congelação dos alimentos.

- 3.** Tenha um cuidado especial para não misturar alimentos já congelados com alimentos frescos.

Recomendação para a preservação de alimentos congelados

- Os alimentos embalados pré-congelados devem ser armazenados de acordo com as instruções do fabricante do alimento, para um compartimento de armazenamento de alimentos congelados de  (4 estrelas).

- Para garantir que é atingida e mantida a alta qualidade dos alimentos congelados, deverá ter em conta o seguinte:

- 1.** Coloque as embalagens no congelador o mais rapidamente possível após a aquisição.

- 2.** Verifique se os recipientes estão etiquetados e datados.

- 3.** Não ultrapasse as datas de validade mencionadas nas embalagens.

No caso de ocorrer uma falha de energia, não abra a porta do congelador. Mesmo que uma falha eléctrica se prolongue até ao indicado no “Tempo de aumento da temperatura” na secção “Especificações técnicas do seu frigorífico”, os alimentos

Utilizar o produto

congelados não serão afectados. No caso de faltar energia por mais tempo, os alimentos devem ser verificados e se for necessário, devem ser consumidos imediatamente ou então congelados depois de serem cozinhados.

Descongelação

Os compartimentos do congelador e do frigorífico descongelam automaticamente.

Colocação dos alimentos

Prateleiras do compartimento do congelador	Diversos alimentos congelados, tais como carne, peixe, gelado, legumes, etc.
Suporte para ovos	Ovo
Prateleiras do compartimento do refrigerador	Alimentos em panelas, pratos, recipientes fechados
Prateleiras da porta do compartimento do refrigerador	Pequenos alimentos embalados ou bebidas (tais como leite, sumo de frutas e cerveja)
Gaveta para frutos e legumes	Legumes e frutas
Compartimento de resfriamento	Carne e peixe a ser descongelado

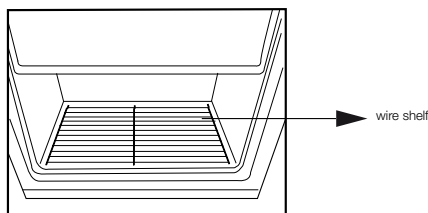
Substituição do módulo da luz interior

Para substituir o módulo de luz do seu frigorífico, contacte a Assistência técnica autorizada.

O que se pode fazer para economizar energia

1. Não deixe as portas do seu frigorífico abertas por um longo tempo.
2. Não coloque alimentos ou bebidas quentes no seu frigorífico.
3. Não sobrecarregue o seu frigorífico para que a circulação do ar no interior não seja dificultada.
4. Não instale o seu frigorífico sob a luz solar directa ou próximo de aparelhos que emitem calor tais como fornos, máquinas de lavar louça ou radiadores.
5. Tenha o cuidado de manter os seus alimentos em recipientes fechados.

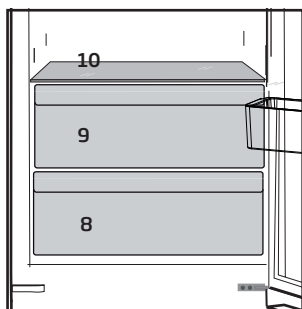
- É obtido o volume máximo de armazenamento de alimentos congelados sem usar as gavetas e a tampa da prateleira superior que existem no compartimento do congelador. O consumo de energia do seu aparelho é o indicado quando o compartimento do congelador está totalmente carregado nas prateleiras sem usar as gavetas e a tampa da prateleira superior. Deve utilizar a prateleira de arame do compartimento do congelador para um melhor desempenho energético.
- É recomendado colocar os produtos alimentares na prateleira superior do congelador para uma congelação inicial.



Utilizar o produto

O compartimento de laticínios (armazenamento frio)

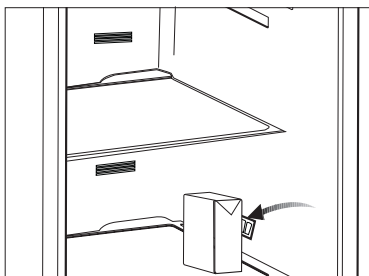
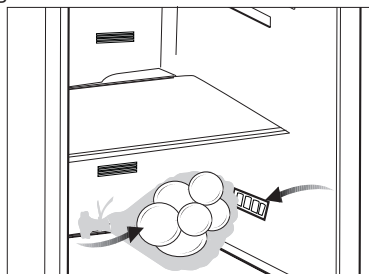
Fornecer temperatura mais baixa no compartimento do frigorífico. Usar este compartimento para armazenamento de charcutaria (salame, salsichas, produtos lácteos e etc.) que necessitam de temperatura de armazenagem mais baixa, ou produtos de carne, frango ou peixe para consumo imediato. Não armazenar frutas e vegetais neste compartimento.



Recomendações para o compartimento de alimentos frescos

*Pode não estar disponível em todos os modelos

- No caso de existirem várias opções, as prateleiras de vidro devem ser colocadas de forma a que as saídas de ar na parede posterior não fiquem bloqueadas, de preferência que as saídas de ar fiquem abaixo da prateleira de vidro. Esta combinação pode ajudar a melhorar a distribuição do ar e a eficiência energética.



6 Manutenção e limpeza

Limpar o produto regularmente prolongará a sua vida útil.



RECOMENDAÇÕES:

Desligar a alimentação antes de limpar o frigorífico.

- Não usar ferramentas afiadas e abrasivas, sabão, materiais de limpeza doméstica, detergentes, gás, gasolina, vernizes e substâncias similares para limpar.
- Para produtos não No Frost, gotas de água e uma congelação com a largura de um dedo podem ocorrer na parede posterior do compartimento do frigorífico. Não limpe; nunca aplique óleo ou agentes similares.
- Utilize apenas panos macios de microfibra ligeiramente humedecidos para limpar a superfície do produto. Esponjas e outros tipos de panos de limpeza poderão riscar a superfície.
- Dissolver uma colher de chá de carbonato na água. Molhar um pedaço de pano na água e torcer. Limpar o dispositivo com este pano e secar completamente.
- Cuidado em manter a água longe da protecção da lâmpada e outras partes eléctricas.
- Limpar a porta usando um pano húmido. Retirar todos os itens do interior para tirar as prateleiras da porta e do interior do frigorífico. Levantar as prateleiras da porta para retirar. Limpar e secar as prateleiras, depois volta a colocar no lugar fazendo deslizar de cima pra baixo.

- Não usar água clorada ou produtos de limpeza na superfície exterior e peças cromadas do produto. O cloro irá enferrujar essas superfícies metálicas.
- Não usar ferramentas aguçadas e abrasivas ou sabão, agentes de limpeza doméstica, detergentes, gasolina, benzina, cera, etc., podem danificar os carimbos nas partes plásticas, que podem desaparecer ou ficarem deformadas. Usar água quente e um pano macio para limpar e secar com um pano seco.

6.1. Prevenir maus cheiros

O produto é fabricado livre de quaisquer materiais odorantes. No entanto, manter os alimentos em seções inadequadas e limpeza inadequada das superfícies interiores pode causar mau cheiro. Para evitar isto, limpar o interior com água de carbonato a cada 15 dias.

- Manter os alimentos em recipientes fechados. Os microrganismos podem disseminar-se dos alimentos não fechados e causar mau cheiro.
- Não manter alimentos fora de prazo e estragados no frigorífico.

6.2. Proteger superfícies de plástico

Óleo derramado em superfícies de plástico pode danificar a superfície e deve ser limpo imediatamente com água morna.

7. Resolução de problemas

Verificar a lista antes de contactar a assistência. Fazer isto poupa-lhe tempo e dinheiro. Esta lista inclui queixas frequentes que não estão relacionadas com o fabrico ou materiais defeituosos. Certas características mencionadas neste documento podem não ser aplicáveis ao seu produto.

O frigorífico não está a funcionar.

- A ficha de alimentação não está totalmente ajustada. >>> Ligá-la para a ajustar completamente à tomada.
- O fusível ligado à tomada de ligação do produto ou o fusível principal está queimado. >>> Verificar os fusíveis.

Condensação na parede lateral do compartimento refrigerador (ZONA MÚTIPLA, ZONA DE FRESCOS, CONTROLO e FLEXIVEL).

- A porta é aberta com muita frequência >>> Ter cuidado para não abrir a porta do produto tão frequentemente.
- O ambiente está demasiado húmido. >>> Não instalar o produto em ambientes húmidos.
- Alimentos contendo líquidos estão colocados em recipientes não fechados. >>> Manter os alimentos contendo líquidos em recipientes fechados.
- A porta do produto foi deixada aberta. >>> Não manter a porta do produto aberta por períodos longos.
- O termostato está definido para temperatura demasiado baixa. >>> Definir o termostato para temperatura adequada.

O compressor não está a funcionar.

- Em caso de falta de energia repentina ou retirar a ficha de alimentação e colocar de novo, a pressão do gás no sistema de refrigeração do produto não é equilibrada, o que desencadeia a salvaguarda térmica do compressor. O produto voltará a ligar-se depois de aproximadamente 6 minutos. Se o produto não se voltar a ligar depois deste período, contactar a assistência.
- Descongelação está activa. >>> Isto é normal para um produto de descongelação totalmente automática. A descongelação é executada periodicamente.
- O produto não está ligado. >>> Assegurar que o cabo de alimentação está ligado.
- A definição de temperatura é incorrecta. >>> Seleccionar a definição de temperatura adequada.
- Não há energia. >>> O produto continuará a funcionar normalmente assim que a energia seja restabelecida.

O ruído de funcionamento do frigorífico aumenta durante a utilização.

- O desempenho de funcionamento do produto pode variar dependendo das variações de temperatura do ambiente. Isto é normal e não é um mau funcionamento.

Resolução de problemas

O frigorífico funciona muito frequentemente ou por muito tempo.

- O novo produto pode ser maior do que o anterior. Produtos maiores funcionam por períodos mais longos.
- A temperatura da sala pode ser elevada. >>> O produto funcionará normalmente por períodos mais longos com temperaturas de sala mais elevadas.
- O produto foi ligado recentemente ou foi colocado no interior um novo alimento. >>> O produto levará mais tempo a atingir a temperatura definida quando recentemente ligado ou quando é colocado um novo alimento no interior. Isto é normal.
- Grandes quantidades de alimentos quentes podem ter sido colocadas recentemente no produto. >>> Não colocar alimentos quentes no produto.
- As portas foram abertas frequentemente ou deixadas abertas por períodos longos. >>> O ar quente que se move no interior fará o produto funcionar mais tempo. Não abrir as portas com demasiada frequência.
- A porta do congelador ou refrigerador pode estar entreaberta. >>> Verificar se as portas estão completamente fechadas.
- O produto pode estar definido para temperatura demasiado baixa. >>> Definir a temperatura para um grau mais elevado e aguardar que o produto atinja a temperatura ajustada.
- A junta da porta do congelador ou refrigerador pode estar suja, desgastada, partida ou não ajustada adequadamente. >>> Limpar ou substituir a junta. A junta da porta danificada / cortada fará o produto funcionar por períodos mais longos para preservar a temperatura actual.

A temperatura do congelador está muito baixa, mas a temperatura do refrigerador é adequada.

- A temperatura do compartimento de congelação está definida para um grau muito baixo. >>> Definir a temperatura do compartimento de congelação para um grau mais elevado e verificar de novo.

A temperatura do refrigerador está muito baixa, mas a temperatura do congelador é adequada.

- A temperatura do compartimento de refrigeração está definida para um grau muito baixo. >>> Definir a temperatura do compartimento de refrigeração para um grau mais elevado e verificar de novo.

Os alimentos guardados em gavetas do compartimento de refrigeração estão congelados.

- A temperatura do compartimento de refrigeração está definida para um grau muito baixo. >>> Definir a temperatura do compartimento de congelação para um grau mais elevado e verificar de novo.

A temperatura no refrigerador ou congelador é demasiado elevada.

Resolução de problemas

- A temperatura do compartimento de refrigeração está definida para um grau muito elevado. >>> A definição de temperatura do compartimento de refrigeração influencia a temperatura do compartimento de congelação. Altere a temperatura do compartimento de refrigeração ou congelação e aguarde até que os referidos compartimentos atinjam o nível de temperatura ajustado.
- As portas foram abertas frequentemente ou deixadas abertas por períodos longos. >>> Não abrir as portas com demasiada frequência.
- A porta pode estar entreaberta. >>> Fechar completamente a porta.
- O produto foi ligado recentemente ou foi colocado no interior um novo alimento. >>> Isto é normal. O produto levará mais tempo a atingir a temperatura definida quando recentemente ligado ou um novo alimento é colocado no interior.
- Grandes quantidades de alimentos quentes podem ter sido colocadas recentemente no produto. >>> Não colocar alimentos quentes no produto.

Vibração ou ruído.

- O chão não está nivelado ou não é resistente. >>> Se o produto vibra quando movido lentamente, ajustar os pés para equilibrar o produto. Assegurar também que o chão é suficientemente resistente para suportar o produto.
- Alguns itens colocados no produto podem causar ruídos. >>> Retirar alguns itens colocados no produto.

O produto está a fazer ruído de líquido a fluir, pulverização, etc.

- Os princípios de funcionamento do produto incluem fluídos líquidos e gasosos. >>> Isto é normal e não um mau funcionamento.

Há som de vento a soprar proveniente do produto.

- O produto usa uma ventoinha no processo de refrigeração. Isto é normal e não é um mau funcionamento.

Há condensação nas paredes internas do produto.

- Meio ambiente quente ou húmido aumentará a formação de gelo e condensação. Isto é normal e não é um mau funcionamento.
- As portas foram abertas frequentemente ou deixadas abertas por períodos longos. Não abrir as portas com demasiada frequência; se aberta, fechar a porta.
- A porta pode estar entreaberta. >>> Fechar completamente a porta.

Resolução de problemas

Há condensação no exterior do produto ou entre as portas.

- O meio ambiente pode estar húmido, isto é perfeitamente normal com tempo húmido. >>> A condensação dissipa quando a humidade diminuir.

O interior cheira mal.

- O produto não é limpo regularmente. >>> Limpar o interior regularmente usando uma esponja, água quente e água com carbonato.
- Alguns recipientes e materiais de embalagem podem provocar odores. >>> Usar recipientes e materiais de embalagem isentos de odor.
- Os alimentos foram colocados em recipientes não vedados. >>> Manter os alimentos em recipientes fechados. Os microrganismos podem disseminar-se dos alimentos não fechados e causar mau cheiro.
- Retirar quaisquer alimentos fora de prazo e estragados do frigorífico.

A porta não está a fechar.

- Embalagens de alimentos podem bloquear a porta. >>> Recolocar quaisquer itens que bloqueiem as portas.
- O produto não está colocado em posição vertical no chão. >>> Ajustar os pés para equilibrar o produto.
- O chão não está nivelado ou não é resistente. >>> Assegurar que o chão é nivelado e suficientemente resistente para suportar o produto.

A gaveta para vegetais está presa.

- Os alimentos podem estar em contacto com a secção superior da gaveta. >>> Reorganizar os alimentos na gaveta.

Se a superfície do produto estiver quente.

- Podem notar-se temperaturas elevadas entre as duas portas, nos painéis laterais e na grelha traseira quando o produto está a funcionar. Esta situação é normal e não exige serviço de manutenção!



RECOMENDAÇÕES: Se os problemas persistirem depois de seguir as instruções nesta secção, contactar o seu vendedor ou uma Assistência Autorizada. Não tentar reparar o produto.

ISENÇÃO DE RESPONSABILIDADE / ADVERTÊNCIA

Algumas falhas (simples) podem ser tratadas de forma adequada pelo utilizador final sem que surja qualquer problema de segurança ou de utilização não segura, desde que as mesmas sejam solucionadas dentro dos limites e de acordo com as seguintes instruções (consultar a secção “Reparação Autónoma”.

Portanto, exceto se contrariamente autorizado na secção “Reparação Autónoma” abaixo, as reparações devem ser realizadas por profissionais reparadores registados de modo a evitar problemas de segurança. Um reparador profissional registado é um reparador profissional a quem o fabricante concedeu acesso às instruções e à lista de peças de substituição deste produto de acordo com os métodos descritos na lei nos termos da Diretiva 2009/125/CE.

No entanto, apenas o agente de reparação (ou seja, os reparadores profissionais autorizados) com quem pode entrar em contacto através do número de telefone fornecido no manual do utilizador/ cartão da garantia ou através do seu revendedor autorizado que pode fornecer serviços de acordo com os termos de garantia. Portanto, deve estar ciente de que as reparações feitas por reparadores profissionais (não autorizados por Beko) anulam a garantia.

Reparação Autónoma

A reparação autónoma pode ser feita pelo utilizador final em relação à seguintes peças de substituição: porta, manípulos, dobradiças das portas, tabuleiros, cestos e vedantes da porta (é disponibilizada uma lista atualizada em support.beko.com) a partir de 1 de março de 2021).

Além disso, para garantir a segurança do produto e evitar o risco de ferimentos graves, a reparação autónoma referida deve ser feita seguindo as instruções do manual do utilizador para reparação autónoma ou as que estão disponíveis em support.beko.com Para sua segurança, deve desligar o produto antes de tentar fazer qualquer reparação autónoma.

As tentativas de reparação feitas pelos utilizadores finais de peças não incluídas na referida lista e/ou não seguindo as instruções nos manuais do utilizador relativamente à mesma ou que se encontram disponíveis em support.beko.com, podem levantar questões de segurança não atribuíveis a Beko, e anularão a garantia do produto.

Portanto, é altamente recomendável que os utilizadores finais evitem tentar realizar reparações que não se enquadrem na lista mencionada de peças de substituição, e nesse caso deverão contactar com reparadores profissionais autorizados ou reparadores profissionais registados. Por outro lado, as referidas tentativas por parte dos utilizadores finais podem provocar problemas de segurança e danificar o produto e, subseqüentemente, provocar incêndio, inundação, eletrocussão e ferimentos graves.

Por exemplo, mas não limitado a, as seguintes reparações devem ser realizadas por Reparadores profissionais autorizados ou registados: compressor, circuito de refrigeração, placa de circuitos, placa do inversor, placa do visor, etc. O fabricante/vendedor não pode ser responsabilizado em circunstâncias em que os utilizadores finais não cumpram com o acima referido.

A disponibilidade de peças de substituição da frigorífico que comprou é de 10 anos.

Durante este período, as peças de substituição originais estarão disponíveis para operar corretamente a frigorífico.

A duração mínima da garantia do frigorífico que adquiriu é de 24 meses.

Este produto está equipado com uma fonte de iluminação da classe energética "G"

A fonte de iluminação neste produto deve somente ser substituída por reparadores profissionais.

beko

Refrigerador

Manual del usuario

Koelkast

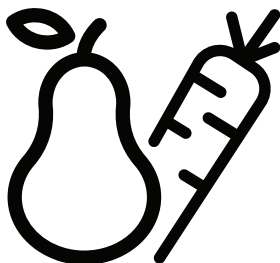
Gebruikershandleiding

Køleskab

Brugervejledning

Kylskåp

Bruksanvisning



RCHE300K30WN

ES / NL / DA / SV



PAPEL RECICLADO Y
RECICLABLE



GERECYCLED &
RECYCLEBAAR PAPIER



GENBRUGT OG
GENBRUGELIGT PAPIR



ÅTERVUNNET &
ÅTERVINNINGSBART
PAPPER

Lea este manual de usuario antes de utilizar el aparato.

Estimado cliente:

Esperamos que este aparato, que ha sido fabricado en plantas dotadas de la más avanzada tecnología y sometido a los más estrictos procedimientos de control de calidad, le preste un servicio eficaz.

Por lo tanto, lea detenidamente este manual de instrucciones antes de utilizar el aparato y guardar el manual como referencia. Si entrega el aparato a otro propietario, no olvide incluir el manual de usuario.





El manual del usuario le ayudará a usar el aparato de manera rápida y segura.





- Lea el manual antes de instalar y poner en funcionamiento el aparato.
- Asegúrese de haber leído las instrucciones de seguridad.
- Conserve el manual en un sitio de fácil acceso, ya que podría necesitarlo en el futuro.
- Lea los otros documentos incluidos con el producto.

Recuerde que este manual de usuario también es aplicable a otros modelos. Las diferencias entre los modelos se identificarán en el manual.

Explicación de los símbolos

En este manual se utilizan los siguientes símbolos:

	Información importante o consejos de utilidad.
	Existe un riesgo de lesiones y de daños a la propiedad.
	Existe riesgo de descargas eléctricas.
	El embalaje del aparato se fabrica con materiales reciclables, de acuerdo con nuestro Reglamento Nacional sobre Medio Ambiente.

 INFORMACIÓN	
 SUPPLIER'S NAME:  MODEL IDENTIFIER:  (*)	La información del modelo, tal como está almacenada en la base de datos de productos, puede ser consultada en la página web siguiente introduciendo el identificador del modelo (*) que se encuentra en la etiqueta de clasificación energética. https://eprel.ec.europa.eu/


Contenidos

1. Instrucciones de seguridad y medio ambiente	4	4 Preparación	11
1.1. Seguridad general.....	4	5 Uso del frigorífico/ congelador	13
1.1.2 Para los modelos con dispensador de agua.....	6	5.1. Refrigeración.....	14
1.2. Uso previsto.....	6	5.2. Colocar los alimentos.....	14
1.3. Seguridad para niños.....	7	5.3. Recomendaciones para la conservación de alimentos congelados.....	15
1.4. En cumplimiento de la Directiva RAEE, y la eliminación del aparato.....	7	5.4. Colocación de los alimentos....	15
1.5. En cumplimiento de la Directiva RoHS.....	7	5.5. Información sobre la congelación	16
1.6. Información sobre el paquete...	7	5.6. Aviso de puerta abierta.....	17
2 Familiarizarse con el electrodoméstico	8	5.7. Cambio de la dirección de apertura de la puerta.....	17
3 Instalación	9	5.8. Luz azul.....	17
3.1. Lugar adecuado para la instalación.....	9	5.9. Cambio de la dirección de apertura de la puerta.....	17
3.2 Antes de usar el frigorífico.....	9	5.10. Compartimento para verduras con control de humedad....	18
3.3 Ajuste de los pies.....	10	5.11. Recomendaciones para el compartimento de alimentos frescos.....	19
3.4 Conexión eléctrica.....	10	5.12. El contenedor de productos lácteos (almacenamiento frío)	19
		6 Mantenimiento y limpieza	20
		7 Solución de problemas	21

1 Instrucciones de seguridad y medio ambiente

Esta sección proporciona las instrucciones de seguridad necesarias para evitar el riesgo de lesión y daños materiales. El incumplimiento de estas instrucciones puede invalidar cualquier tipo de garantía del aparato.

Finalidad prevista

	ADVERTENCIA: Asegúrese de que cuando el dispositivo está en su custodia o durante su montaje en el alojamiento, los orificios de ventilación no están cerrados.
	ADVERTENCIA: Con el fin de acelerar la operación de derretimiento del hielo, no utilice cualquier dispositivo o aparato mecánico que no es recomendado por el fabricante
	ADVERTENCIA: No dañe el circuito de fluido refrigerante.
	ADVERTENCIA: No utilice dispositivos eléctricos que no estén recomendados por el fabricante en los compartimentos del dispositivo para la conservación de alimentos.

Este dispositivo está diseñado para ser utilizado en el hogar o en las siguientes aplicaciones similares:

- Con el fin de ser utilizado en las cocinas para el personal de las tiendas, oficinas y otros lugares de trabajo;
- Con el fin de ser utilizado por los clientes en casas de campo y hoteles, moteles y otros lugares de alojamiento:
- en entornos tales pensiones;
- en lugares similares que no ofrecen servicios de restauración y no es al por menor.

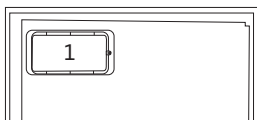
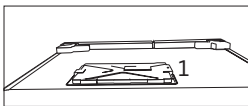
1.1. Seguridad general

- Este aparato no debe ser utilizado por personas con discapacidades físicas, sensoriales y mentales, sin el conocimiento y la experiencia suficiente o por los niños. El aparato solo puede ser utilizado por estas personas bajo la supervisión y la instrucción de una persona responsable de su seguridad. A los niños no se les debe permitir jugar con este dispositivo.
- En caso de mal funcionamiento, desconecte el dispositivo.
- Después de desconectar, espere por lo menos 5 minutos antes de conectar de nuevo. Desenchufe el aparato cuando no esté en uso. ¡No toque el enchufe con las manos mojadas! No tire del cable

Instrucciones para la seguridad y el medio ambiente

para enchufar para sacarlo de la toma de la pared, hágalo tomándolo de la cabeza del enchufe.

- No enchufe el refrigerador si la toma de corriente está floja.
- Desenchufe el aparato durante la instalación, el mantenimiento, limpieza y reparación.
- Si el aparato no se utiliza durante un tiempo, desenchufe el aparato y elimine cualquier alimento en el interior.
- No utilice vapor ni materiales de limpieza al vapor para la limpieza del refrigerador y el derretimiento del hielo en el interior. ¡El vapor podría contactar las zonas electrificadas y causar un cortocircuito o una descarga eléctrica!
- ¡No lave el aparato rociando ni vertiendo agua sobre él! ¡Riesgo de descarga eléctrica!
- Nunca utilice el producto si la sección situada en la parte superior o posterior del producto que tiene las placas de circuitos impresos electrónicos en el interior está abierta (cubierta de la placa del circuito electrónico impreso) (1).

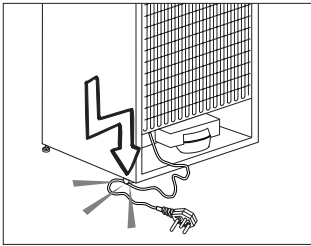


- En caso de mal funcionamiento, no utilice el aparato, ya que puede causar una descarga eléctrica. Póngase en contacto con el servicio técnico autorizado antes de hacer cualquier cosa.
- Conecte el aparato a una toma de tierra. La puesta a tierra debe ser realizada por un electricista calificado.
- Si el aparato tiene un LED de iluminación y requiere sustituirlo, póngase en contacto con el servicio técnico autorizado para sustituirlo o en caso de cualquier problema.
- ¡No toque la comida congelada con las manos mojadas! ¡Se podría adherir a sus manos!
- No coloque líquidos en botellas ni latas en el compartimento del congelador. ¡Podrían estallar!
- Coloque los líquidos en posición vertical después cerrar bien la tapa.
- No rocíe sustancias inflamables cerca del aparato, ya que podría quemarse o explotar.
- No guarde materiales ni aparatos con gases inflamables (sprays, etc.) en el refrigerador.
- No ponga recipientes que contengan líquido encima del aparato. Salpicar agua en una parte electrificada podría provocar descargas eléctricas y riesgos de incendio.
- La exposición del aparato a la lluvia, la nieve, la luz directa del sol y el viento causarán un peligro eléctrico. Cuando

Instrucciones para la seguridad y el medio ambiente

traslade el aparato, no tire sujetando la manija de la puerta. El mango se podría salir.

- Tenga cuidado de no atrapar ninguna parte de sus manos o de su cuerpo en cualquiera de las partes móviles en el interior del aparato.
- No se pare ni se apoye en las puertas, cajones y partes similares de la nevera. Esto causará que el aparato se caiga hacia y dañe sus partes.
- Tenga cuidado de no tropezar con el cable de alimentación.



1.1.1 Aviso HC

Si el aparato dispone de un sistema de refrigeración que utilizan gas R600a, tenga cuidado de no dañar el sistema de refrigeración y su tubería mientras se utiliza o mueva el aparato. Este gas es inflamable. Si el sistema de refrigeración está dañado, mantenga el aparato alejado de fuentes de incendio y ventile la habitación inmediatamente.



La etiqueta en la parte interior izquierda indica el tipo de gas utilizado en el aparato.

1.1.2 Para los modelos con dispensador de agua

- La presión en la entrada de agua fría sera a un máximo de 90 psi (620 kPa). Si la presión del agua es superior a 80 psi (550 kPa), utilice una válvula limitadora de presión en el sistema de red. Si usted no sabe cómo controlar la presión del agua, pida la ayuda de un plomero profesional. Si hay riesgo de golpe de ariete en la instalación, siempre utilice un equipo de prevención contra golpes de ariete en la instalación. Consulte a un fontanero profesional si no está seguro de que no hay un efecto del golpe de ariete en la instalación.
- No instale en la entrada de agua caliente. Tome precauciones contra del riesgo de congelación en las mangueras. El intervalo de funcionamiento de la temperatura del agua debe ser un mínimo de 33°F (0.6°C) y un máximo de 100°F (38°C).
- Solo use agua potable apta para beber.

1.2. Uso previsto

- Este aparato está diseñado para uso en el hogar. No es adecuado para un uso comercial.
- El aparato debe utilizarse para solamente para almacenar alimentos y bebidas.
- No guarde aparatos sensibles que requieran temperatura controlada (vacunas, medicamentos sensibles al calor, equipos médicos, etc.) en el refrigerador.

Instrucciones para la seguridad y el medio ambiente

- El fabricante no asume ninguna responsabilidad por los daños debidos al mal uso o mal manejo.
- Se proporcionarán piezas de recambio originales durante 10 años, después de la fecha de compra del producto.

1.3. Seguridad para niños

- Guarde los materiales de embalaje fuera del alcance de los niños.
- A los niños no se les debe permitir jugar con el aparato.
- Si la puerta del aparato usa una cerradura, guarde la llave fuera del alcance de los niños.

1.4. En cumplimiento de la Directiva RAEE, y la eliminación del aparato

Este aparato cumple con la Directiva WEEE (RAEE) de la UE (2012/19/EU). Este aparato lleva el símbolo de clasificación de los equipos eléctricos y electrónicos (WEEE/RAEE).



Este aparato ha sido fabricado con piezas y materiales de alta calidad que pueden ser reutilizados y son aptos para el reciclaje. No deseche el aparato de junto con los desechos domésticos normales al final de su vida útil. Llévelo al centro de recolección para reciclaje de aparatos eléctricos y electrónicos. Consulte a las autoridades locales para obtener información acerca de estos centros de acopio.

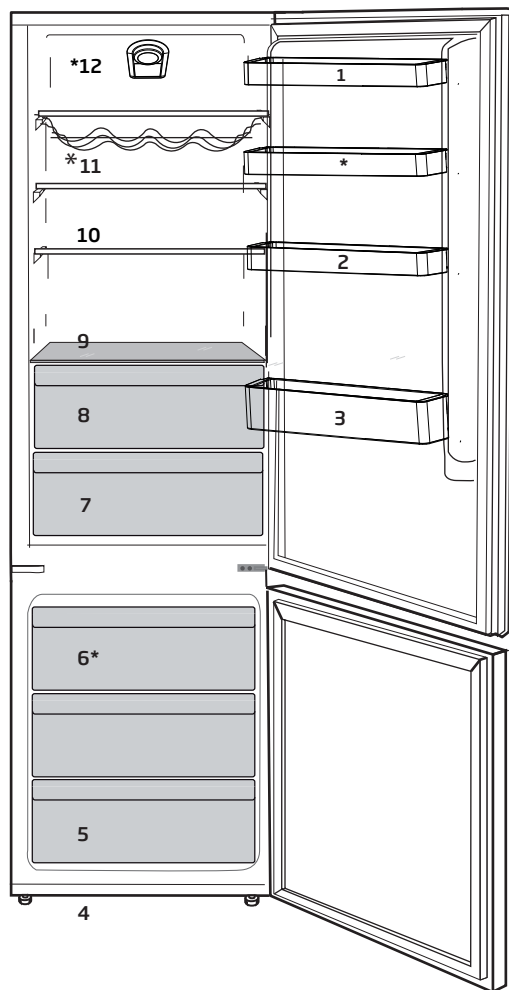
1.5. En cumplimiento de la Directiva RoHS

- El producto que ha adquirido es conforme con la directiva de la UE sobre la restricción de sustancias peligrosas (RoHS) (2011/65/UE). No contiene ninguno de los materiales nocivos o prohibidos especificados en la directiva.

1.6. Información sobre el paquete

- Los materiales de embalaje del aparato son fabricados a partir de materiales reciclables, de acuerdo con nuestra Reglamentación Nacional para el Medio Ambiente. No se deshaga de los materiales de embalaje junto con los desechos domésticos o de otro tipo. Llévelos a los puntos de recolección de material de embalaje designados por las autoridades locales.

2 Familiarizarse con el electrodoméstico



1. Estante de la puerta
2. Hueveras
3. Estante para botellas
4. Pies ajustables
5. Compartimento congelador
6. Ventilador del congelador
7. Cajones de frutas y verduras
8. El contenedor de productos lácteos (almacenamiento frío)
9. Tapa del cajón de frutas y verduras
10. Estante de vidrio
11. Bodega para vinos
12. Panel de control

* **Ei ole saadaval kõigil mudelitel**



Las ilustraciones de este manual se proporcionan a modo de ejemplo y podrían no corresponderse exactamente con su aparato. Si determinadas partes no están presentes en el aparato que usted ha adquirido, indica que la figura corresponde a otro modelo.

3 Instalación

3.1. Lugar adecuado para la instalación

Contacte con un Servicio Técnico autorizado para la instalación del aparato. Para tener el aparato a punto para la instalación, vea la información en la guía de usuario y asegúrese de que las herramientas eléctricas y de agua sean las adecuadas. Si no lo son, llame a un electricista y a un fontanero para que hagan las modificaciones necesarias.

	ADVERTENCIA: El fabricante no se responsabiliza de ningún daño causado por el trabajo llevado a cabo por personas no autorizadas.
	ADVERTENCIA: El aparato debe estar desenchufado durante la instalación. ¡No hacerlo podría causar la muerte o lesiones graves!
	ADVERTENCIA: Si la extensión de la puerta es demasiado estrecha para permitir el paso del aparato, retire la puerta y gire el aparato de lado; si esto no funciona, contacte con el servicio técnico autorizado.

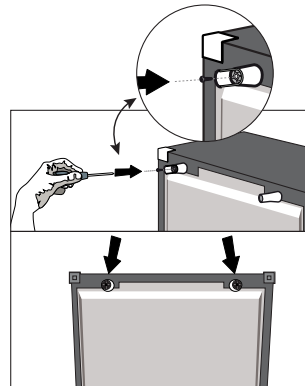
- Coloque el aparato sobre una superficie lisa para evitar sacudidas.
- Instale el aparato a una distancia no inferior de 30 cm de radiadores, estufas y fuentes de calor similares y una distancia no inferior a 5 cm de cualquier horno eléctrico.
- No exponga el aparato directamente a la luz solar en ambientes húmedos.
- El producto requiere una circulación de aire adecuada para funcionar de manera eficiente.
- Si va a colocar el aparato en un hueco de la pared, no olvide dejar una distancia mínima de 5 cm con respecto al techo y las paredes.

- No instale el aparato en ambientes con una temperatura por debajo de -5°C .
- Por favor, deje al menos 5 cm de separación para la circulación de aire entre la parte trasera de su producto y la pared, para así evitar la condensación en el panel trasero del producto.

3.2 Antes de usar el frigorífico

Antes de empezar a usar el frigorífico, verifique lo siguiente:

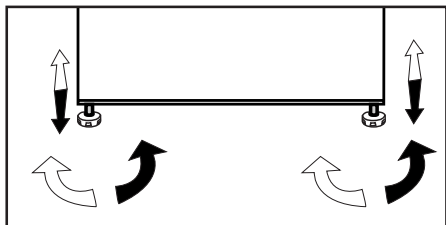
1. El interior del frigorífico está seco y el aire puede circular con libertad por su parte posterior.
2. Introduzca 2 cuñas plásticas en la ventilación trasera, como se muestra en la figura siguiente. Las cuñas de plástico proporcionarán la distancia requerida entre su frigorífico y la pared para una correcta circulación del aire.



Instalación

3.3 Ajuste de los pies

Si el aparato no queda equilibrado tras su instalación, ajuste las patas frontales girándolos de la derecha a la izquierda.



3.4 Conexión eléctrica

	ADVERTENCIA: No utilice cables de extensión ni ladrones para realizar la conexión eléctrica.
	ADVERTENCIA: Deje en manos de un servicio técnico autorizado la sustitución de un cable de alimentación dañado.
	En caso de que vaya a instalar dos frigoríficos uno al lado del otro, debe dejar una separación no inferior a 4 cm entre ellos.

- Nuestra empresa no se hará responsable de daños provocados por el uso del aparato sin una toma de tierra conforme a las normativas nacionales.
- Tras la instalación, el enchufe del cable de alimentación debe quedar al alcance de la mano.
- No use cables de extensión ni múltiples tomacorrientes sin cable entre el aparato y la toma de pared.

Advertencia de superficie caliente

Las paredes laterales de su producto están equipadas con tubos de refrigerante para mejorar el sistema de refrigeración. El refrigerante con altas temperaturas puede fluir a través de estas áreas, lo que resulta en superficies calientes en las paredes laterales. Esto es normal y no necesita ningún mantenimiento. Por favor, tenga cuidado al tocar estas áreas.



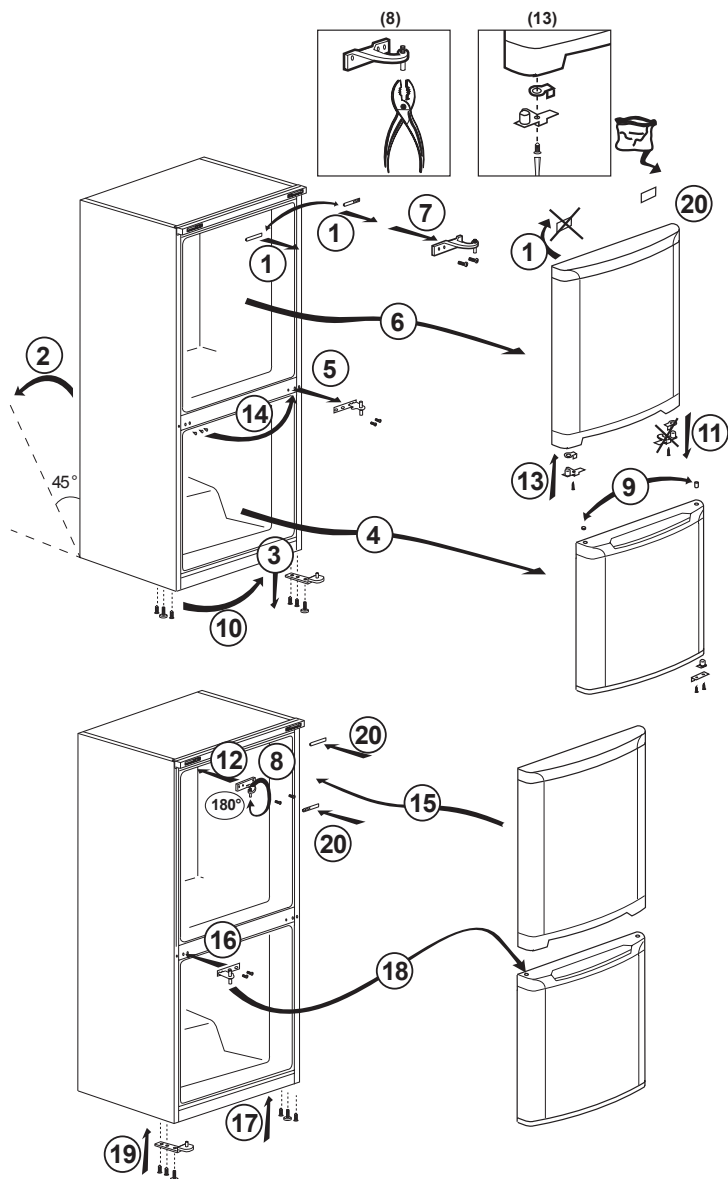
4 Preparación

- Para uso no empotrado: "este aparato de refrigeración no está destinado a ser utilizado como electrodoméstico empotrado.
- El frigorífico debe instalarse dejando una separación no inferior a 30 cm respecto a fuentes de calor tales como quemadores, hornos, calefacciones o estufas y no inferior a 5 cm con respecto a hornos eléctricos, evitando asimismo su exposición directa a la luz solar.
- La temperatura ambiente de la estancia donde instale el frigorífico no debe ser inferior a -5 °C. A temperaturas inferiores, el frigorífico puede ver reducida su eficacia.
- Asegúrese de limpiar meticulosamente el interior del frigorífico.
- En caso de que vaya a instalar dos frigoríficos uno al lado del otro, debe dejar una separación no inferior a 2 cm entre ellos.
- Al utilizar el frigorífico por primera vez, siga las siguientes instrucciones referentes a las primeras seis horas.
- No abra la puerta con frecuencia.
- No deposite alimentos en el interior.
- No desenchufe el frigorífico. En caso de corte del suministro eléctrico ajeno a su voluntad, consulte las advertencias de la sección "Sugerencias para la solución de problemas".
- Guarde el embalaje original para futuros traslados.
- Para un consumo eléctrico reducido y mejores condiciones de almacenamiento, las cestas y cajones incluidos con el congelador deberán estar siempre en uso.
- Si los alimentos entran en contacto con el sensor de temperatura del congelador, el consumo eléctrico puede incrementarse. Por tanto, es aconsejable evitar cualquier tipo de contacto con el sensor.
- En algunos modelos, el panel de instrumentos se apaga automáticamente 5 minutos después de cerrar la puerta. Se reactivará cuando se abra la puerta o se pulse cualquier botón.
- Debido al cambio de temperatura como resultado de la apertura/clausura de la puerta del producto durante el funcionamiento, la condensación en los estantes de la puerta/cuerpo y los contenedores de cristal es normal.
- Puesto que el aire caliente y húmedo no penetra directamente en su producto cuando las puertas no están abiertas, su producto se optimiza en condiciones suficientes para proteger sus alimentos. Las funciones y componentes como el compresor, ventilador, calentador, descongelador, iluminación, pantalla, etc. funcionarán de acuerdo con las necesidades de consumo mínimo de energía en estas circunstancias.

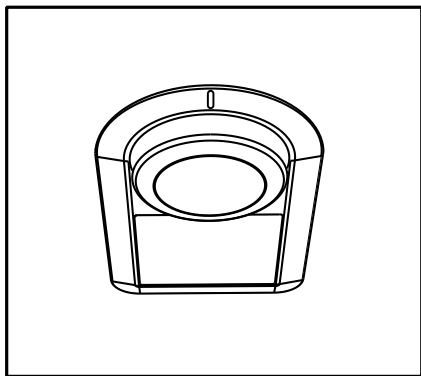
Funcionamiento del aparato

Inversión de las puertas

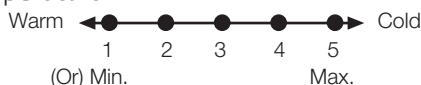
Proceder en orden numérico



5 Uso del frigorífico/congelador



La temperatura de funcionamiento se regula mediante el mando de control de temperatura.



0=El sistema de refrigeración está apagado.

1=el ajuste de enfriamiento más bajo (el ajuste más caliente).

5=El ajuste de refrigeración más alto (el ajuste más frío).

La temperatura media en el interior del frigorífico debería ser de unos +5 °C.

Seleccione el ajuste en función de la temperatura deseada.

Tenga en cuenta que habrá diferentes temperaturas en el área de refrigeración.

La zona más fría se encuentra situada justo encima del compartimento de las verduras.

La temperatura interior depende asimismo de la temperatura ambiente, la frecuencia de apertura de la puerta y la cantidad de alimentos almacenados.

Una apertura frecuente de la puerta provoca un aumento de la temperatura del interior.

Por este motivo, se recomienda cerrar la puerta lo antes posible después de cada uso.

La temperatura interior del frigorífico varía por diversos motivos, entre ellos:

- Temperaturas estacionales,
- Abrir la puerta frecuentemente y dejarla abierta durante largos periodos de tiempo,
- Ponga alimentos en la nevera sin tener que enfriarlos hasta la temperatura ambiente,
- La ubicación del frigorífico en la estancia (por ejemplo, que esté expuesto a la luz solar).
- Puede ajustar las variaciones de la temperatura a causa de tales motivos usando el termostato. Los números alrededor del botón del termostato indican los grados de enfriamiento.
- Si la temperatura ambiente es superior a 32 °C, coloque el termostato al máximo.
- Si la temperatura ambiente es inferior a 25°C, coloque el termostato al mínimo.



Las ilustraciones de este manual se proporcionan a modo de ejemplo y podrían no corresponderse exactamente con su aparato. Si determinadas partes no están presentes en el aparato que usted ha adquirido, indica que la figura corresponde a otro modelo.

Funcionamiento del aparato

5.1. Refrigeración

Almacenamiento de los alimentos

El compartimento refrigerador está destinado al almacenamiento de alimentos frescos y bebidas por un periodo de tiempo breve.

Almacene los productos lácteos en el compartimento refrigerador/congelador a.

Las botellas pueden guardarse en el portabotellas o en el estante para botellas de la puerta.

La carne cruda se conserva mejor en bolsas de polietileno dentro del compartimento inferior del refrigerador/congelador.

Deje enfriar los alimentos y las bebidas calientes antes de introducirlos en el frigorífico/congelador.

- Atención

El alcohol concentrado debe depositarse únicamente en posición vertical y firmemente cerrado.

- Atención

No guardar en el frigorífico sustancias explosivas ni productos que contengan gases inflamables (botes de nata a presión, aerosoles, etc.). Existe riesgo de explosión.

5.2. Colocar los alimentos

Huevera	Huevos
Estantes del compartimento frigorífico	Alimentos en cazuelas, platos cubiertos y recipientes cerrados
Estantes de la puerta del compartimento frigorífico	Alimentos o bebida en envases pequeños (leche, zumos de frutas, cerveza, etc.)
Cajón de frutas y verduras	Verduras y frutas

Deshielo del aparato

El aparato dispone de deshielo automático.

Funcionamiento del aparato

5.3.Recomendaciones para la conservación de alimentos congelados

- Los alimentos congelados ya envasados disponibles en los comercios deben almacenarse de acuerdo con las instrucciones de su fabricante respecto de la conservación en un compartimento congelador de *** ** *** (4 estrellas).
- Si desea garantizar el mantenimiento de la calidad de los alimentos congelados proporcionada por el fabricante y por el comercio, tenga en cuenta lo siguiente:
 1. Coloque los paquetes de alimentos congelados en el congelador lo antes posible tras su compra.
 2. Asegúrese de que todos los contenidos tengan etiqueta y fecha.
 3. Respete las fechas de "Usar antes de" o "Consumir antes de" indicadas en los envases. Si se produce un corte de corriente, no abra la puerta del congelador. Incluso si el corte de corriente tiene una duración superior al "Tiempo de aumento de temperatura" indicado en la sección de las "Especificaciones técnicas de su frigorífico", los alimentos congelados se verán afectados. En caso de que la avería dure más, deberá comprobar el estado de los alimentos y en los casos necesarios consumirlos inmediatamente o bien cocinarlos y posteriormente volverlos a congelar.

Deshielo

El compartimento del congelador se deshuela de manera automática.

5.4. Colocación de los alimentos

Estantes del compartimento congelador	Alimentos congelados diversos tales como carnes, pescados, helados, verduras, etc.
Huevera	Huevos
Estantes del compartimento refrigerador	Alimentos en cazuelas, platos cubiertos y recipientes cerrados
Estantes de la puerta del compartimento refrigerador	Alimentos o bebida en envases pequeños (leche, zumos de frutas, cerveza, etc.)
Cajón de frutas y verduras	Verduras y frutas
Compartimento de alimentos frescos	Productos delicados (queso, mantequilla, embutidos, etc.)

Funcionamiento del aparato

5.5. Información sobre la congelación

Los alimentos deben congelarse lo más rápido posible con el fin de mantenerlos en las mejores condiciones de calidad.

Los alimentos sólo pueden conservarse durante periodos prolongados de tiempo a temperaturas de -18°C o menos.

A -18°C o menos es posible mantener los alimentos frescos durante muchos meses en el congelador.

ADVERTENCIA

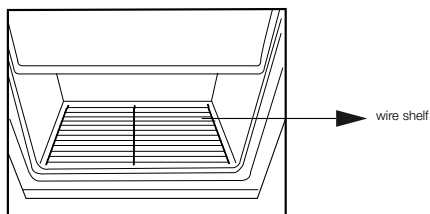
- Los alimentos deben dividirse en porciones basadas en las necesidades de consumo de la familia.
- Los alimentos deben empaquetarse herméticamente para evitar que se sequen, incluso si van a guardarse durante poco tiempo.
- Materiales necesarios para el empaquetado:
- Cinta adhesiva resistente al frío
- Etiquetas autoadhesivas
- Gomas elásticas
- Bolígrafo
- Los materiales utilizados para empaquetar alimentos deben ser a prueba de desgarrones y resistentes al frío, la humedad, los olores, los aceites y los ácidos.

No deje que los alimentos entren en contacto con alimentos previamente congelados, con el fin de evitar que éstos puedan descongelarse parcialmente.

Respete siempre los valores especificados en las tablas para los periodos de conservación.

Consuma inmediatamente los alimentos recién descongelados, y en ningún caso los vuelva a congelar.

- El volumen máximo de almacenamiento de alimentos congelados se obtiene sin utilizar los cajones y la cubierta del estante superior presente en el compartimento congelador. El consumo energético declarado para el frigorífico corresponde al funcionamiento con el compartimento congelador lleno y sin utilizar los cajones ni la cubierta del estante superior. Use la bandeja de rejilla en la parte inferior del compartimento congelador para un mejor consumo energético.
- Se recomienda que coloque alimentos en la parte superior del congelador para el primer congelado.



Funcionamiento del aparato

5.6. Aviso de puerta abierta

El frigorífico emitirá una señal acústica de aviso cuando la puerta del compartimento del frigorífico permanezca abierta durante un cierto periodo de tiempo. Esta señal acústica de aviso cesará cuando se pulse cualquier botón del indicador o se cierre la puerta.

5.7. Cambio de la dirección de apertura de la puerta

Puede cambiar la dirección de apertura de la puerta de su frigorífico en función del lugar en donde lo use. En tal caso, póngase en contacto con el servicio técnico autorizado más próximo.

5.8. Luz azul

Ei ole saadaval kõigil mudelitel

El efecto de la longitud de onda de la luz azul hace que los alimentos almacenados en el cajón de frutas y verduras prolonguen su proceso de fotosíntesis, conservando de esta manera su frescura e incrementando su contenido vitamínico.

5.9. Cambio de la dirección de apertura de la puerta

Puede cambiar la dirección de apertura de la puerta de su frigorífico en función del lugar en donde lo use. En tal caso, póngase en contacto con el servicio técnico autorizado más próximo.

Funcionamiento del aparato

5.10. Compartimento para verduras con control de humedad (FreSHelf)

Ei ole saadaval kõigil mudelitel

Los niveles de humedad de las frutas y de las verduras se mantienen bajo control con la función del cajón de frutas y verduras con control de humedad y se garantiza que los alimentos se mantengan frescos por más tiempo.

Le recomendamos colocar las verduras de hoja, tales como lechuga, espinaca y aquellas hortalizas sensibles a la pérdida de humedad, en posición horizontal en la medida de lo posible, dentro del cajón, no sobre sus raíces en posición vertical.

Mientras se guardan las frutas y verduras, tenga en cuenta su peso específico. Las frutas y verduras más duras y pesadas deben colocarse en el fondo del cajón y aquellas más blandas y livianas deben ubicarse arriba.

Nunca deje las hortalizas dentro del cajón de frutas y verduras en sus bolsas. Si las hortalizas se dejan dentro de sus bolsas, se descompondrán en un breve período de tiempo. En caso de que no desee que las frutas y verduras estén en contacto entre sí por cuestiones de higiene, utilice un papel perforado, espuma u otros materiales de embalaje similares en lugar de una bolsa.

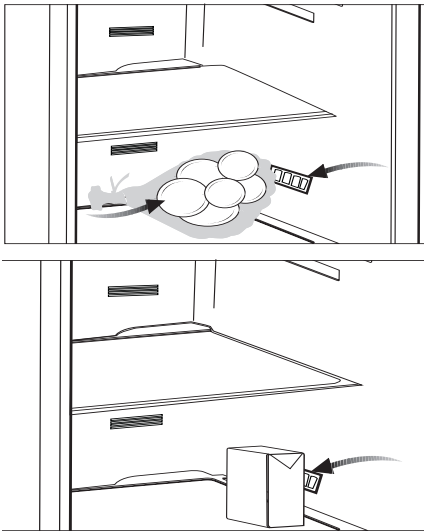
No coloque juntos peras, albaricoques, melocotones, etc. y manzanas, en particular, en el mismo cajón que otras frutas y verduras, ya que tienen un alto nivel de generación de gas etileno. El gas etileno emitido por estas frutas puede ocasionar que las otras frutas maduren más rápido y se echen a perder en poco tiempo.

Funcionamiento del aparato

5.11. Recomendaciones para el compartimento de alimentos frescos

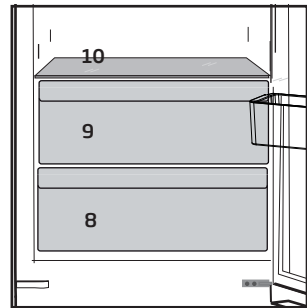
* OPCIONAL

- Cuando existen varias opciones, los estantes de vidrio se deben colocar de forma que no se bloqueen las salidas de aire en la pared posterior, preferiblemente las salidas de aire permanecen debajo del estante de vidrio.
- Esta combinación podría ayudar a mejorar la distribución del aire y la eficiencia energética.



5.12. El contenedor de productos lácteos (almacenamiento frío)

Proporciona una temperatura más baja dentro del compartimento del frigorífico. Utilice este contenedor con el fin de almacenar productos de charcutería (salami, salchichas, productos lácteos, etc.) que requieren una temperatura de almacenamiento más baja o productos de carne, pollo o pescado para su consumo inmediato. No almacene frutas y vegetales dentro de este compartimento.



6 Mantenimiento y limpieza

- ⚠ No utilice nunca gasolina, benceno o sustancias similares para la limpieza.
- ⚠ Le recomendamos desenchufar el aparato antes de proceder a su limpieza.
- i** No utilice nunca para la limpieza instrumentos afilados o sustancias abrasivas, jabones, limpiadores domésticos, detergentes ni ceras abrillantadoras.
- i** En el caso de productos con sistema de enfriamiento cíclico o estático, se pueden producir gotas de agua y una capa de hielo en la pared trasera del compartimento del frigorífico. No lo limpie, nunca aplique aceite o agentes similares en el mismo.
- i** Utilice solo paños de microfibra ligeramente humedecidos para limpiar la superficie exterior del producto. Las esponjas u otro tipo de paños de limpieza pueden rayar la superficie.
- i** Limpie el armario del frigorífico con agua tibia y séquelo con un paño.
- i** Para limpiar el interior, utilice un paño humedecido en un vaso grande de agua con una cucharadita de bicarbonato sódico disuelta y séquelo con un trapo.
- ⚠ Asegúrese de que no penetre agua en el alojamiento de la lámpara ni en otros elementos eléctricos.
- ⚠ Si no va a utilizar el frigorífico durante un periodo prolongado, desenchúfelo, retire todos los alimentos, límpielo y deje la puerta entreabierta.
- i** Compruebe regularmente los cierres herméticos de la puerta para asegurarse de que estén limpios y sin restos de alimentos.
- i** Para extraer las bandejas de la puerta, retire todo su contenido y, a continuación, simplemente empuje la bandeja hacia arriba desde su base.
- i** Nunca use agentes de limpieza o agua que contengan cloro para limpiar las superficies exteriores y los cromados del producto, ya que el cloro corroe dichas superficies metálicas.
- i** No utilice herramientas afiladas y abrasivas ni jabón, productos de limpieza domésticos, detergentes, gasolina, benceno, cera, etc., de lo contrario los sellos en las piezas de plástico se caerán y deformarán. Use agua tibia y un paño suave para limpiar y secar.

Protección de las superficies de plástico

- i** No deposite aceites líquidos o alimentos aceitosos en recipientes no cerrados ya que dañarán las superficies de plástico de su frigorífico. En caso de derrame de aceite sobre las superficies de plástico, limpie y enjuague con agua caliente la parte afectada de inmediato.

Revise esta lista antes de contactar con el servicio técnico. Si lo hace, le ahorrará tiempo y dinero. Esta lista incluye quejas frecuentes que no están relacionados con la mano de obra ni materiales defectuosos. Algunas funciones mencionadas en este documento pueden no ser aplicables a su aparato.

El refrigerador no está funcionando.

- El enchufe no está totalmente en la toma. >>> Basta conectarlo para asentarlo por completo en la toma.
- El fusible conectado a la toma de alimentación del aparato o el fusible principal está fundido. >>> Revise los fusibles.

Condensación en la pared lateral del compartimento de enfriamiento (MULTI ZONA, REFRIGERADOR, CONTROL y FLEXI ZONA).

- La puerta se abre con demasiada frecuencia >>> Tenga cuidado de no abrir la puerta del aparato con demasiada frecuencia.
- El medio ambiente es demasiado húmedo. >>> No instale el aparato en ambientes húmedos.
- Los alimentos que contienen líquidos se mantienen en sus envases sin sellar. >>> Mantenga los alimentos que contengan líquidos en los envases sellados.
- La puerta del aparato se deja abierta. >>> No mantenga la puerta del aparato abierta durante largos periodos.
- El termostato está ajustado a una temperatura demasiado baja. >>> Ajuste el termostato a la temperatura adecuada.

El compresor no está funcionando.

- En caso de fallo de alimentación repentino o tirando del enchufe de alimentación y poniéndolo de nuevo, la presión del gas en el sistema de refrigeración del aparato no será equilibrada, lo que desencadena la salvaguardia térmica del compresor. El aparato se reiniciará después de aproximadamente 6 minutos. Si el aparato no se reinicia después de este período, póngase en contacto con el servicio.
- La descongelación está activa. >>> Esto es normal para un aparato de descongelación completamente automático. La descongelación se realiza periódicamente.
- El aparato no está enchufado >>> Asegúrese de que el cable de alimentación esté enchufado.
- El ajuste de la temperatura es incorrecto. >>> Seleccione el ajuste de la temperatura adecuado.
- No hay energía eléctrica. >>> El aparato continuará funcionando con normalidad una vez que se restablezca la alimentación.

El ruido de funcionamiento del refrigerador aumenta mientras está en uso.

- El desempeño operativo del aparato puede variar en función de las variaciones de la temperatura ambiente. Esto es normal y no indica mal funcionamiento.

Resolución de problemas

El refrigerador funciona demasiado a menudo o por demasiado tiempo.

La temperatura del congelador es muy baja, pero la temperatura del refrigerador es adecuada.

- La temperatura del compartimento congelador se establece a un grado muy bajo. >>> Ajuste la temperatura del compartimento del congelador a un grado más alto y vuelva a intentarlo.

La temperatura del refrigerador es muy baja, pero la temperatura del congelador es adecuada.

- La temperatura del compartimento congelador se establece a un grado muy bajo. >>> Ajuste la temperatura del compartimento del refrigerador a un grado más alto y vuelva a intentarlo.

Los alimentos guardados en los cajones del compartimento de refrigeración se congelan.

- La temperatura del compartimento congelador se establece a un grado muy bajo. >>> Ajuste la temperatura del compartimento del congelador a un grado más alto y vuelva a intentarlo.

La temperatura en el refrigerador o el congelador es demasiado alta.

- La temperatura del compartimento del congelador se establece a un grado muy bajo. >>> El ajuste de temperatura del compartimento del refrigerador influye en la temperatura del compartimento del congelador. Cambie la temperatura del compartimento del refrigerador o congelador y espere a que los compartimentos pertinentes alcancen el nivel de temperatura ajustado.
- Las puertas se abren frecuentemente o se mantienen abiertas durante largos períodos. >>> No abra las puertas con demasiada frecuencia.
- La puerta puede estar abierta. >>> Cierre la puerta por completo.
- El aparato puede haber sido conectado recientemente o un nuevo alimento fue colocado en su interior. >>> Esto es normal. El aparato tardará más en alcanzar la temperatura fijada fue enchufado recientemente o si un nuevo alimento se coloca en el interior.
- Grandes cantidades de alimentos calientes pueden haber sido colocados recientemente en el aparato. >>> No coloque alimentos calientes en el interior del aparato.

Resolución de problemas

Ruido o agitación.

- El suelo no está nivelado o no es firme. >>> Si el aparato está temblando cuando se mueve lentamente, ajuste las patas para equilibrar el aparato. También asegúrese de que el suelo sea lo suficientemente resistente para soportar el aparato.
- Cualquier artículo colocado sobre el aparato pueden causar ruido. >>> Retire todos los objetos colocados sobre el aparato.

El aparato está haciendo ruido de flujo de líquido, rociado, etc.

- Los principios de funcionamiento del aparato implican flujos de líquido y gas. >>> Esto es normal y no indica mal funcionamiento.

Hay sonido del viento que sopla procedente del aparato.

- El aparato utiliza un ventilador para el proceso de enfriamiento. Esto es normal y no indica mal funcionamiento.

Hay condensación en las paredes internas del aparato.

- El clima caliente o húmedo aumentarán la formación de hielo y de condensación. Esto es normal y no indica mal funcionamiento.
- Las puertas se abren frecuentemente o se mantienen abiertas durante largos períodos. >>> No abra las puertas con demasiada frecuencia, si están abiertas, ciérrelas.
- La puerta puede estar abierta. >>> Cierre la puerta por completo.

Hay condensación en el exterior del aparato o entre las puertas.

- Puede ser por que el clima ambiental sea húmedo, esto es bastante normal en ambientes húmedos. >>> La condensación se disipará cuando se reduzca la humedad.

El interior huele mal.

- El aparato es limpiado regularmente. >>> Limpie el interior con regularidad utilizando una esponja, agua caliente y agua carbonatada.
- Ciertos envases y materiales de embalaje pueden causar olor. >>> Utilice envases y materiales de embalaje que sean exentos de olores.
- Los alimentos se colocan en envases no selladas. >>> Mantenga los alimentos en envases sellados. Los microorganismos pueden propagarse fuera de los alimentos no sellados y causar mal olor.
- Retire todos los alimentos caducados o en mal estado del aparato.

La puerta no se cierra.

- Los paquetes de alimentos pueden estar bloqueando la puerta. >>> Cambie de lugar los elementos que bloqueen las puertas.
- El aparato no está en posición vertical sobre la base. >>> Ajuste los soportes para equilibrar el aparato.
- El suelo no está nivelado o no es firme. >>> Asegúrese de que el suelo esté nivelado y sea lo suficientemente resistente para soportar el aparato.

Resolución de problemas

La bandeja de las vegetales se ha atascado.

- Los alimentos pueden estar en contacto con la parte superior del cajón. >>> Reorganice los alimentos en el cajón.

Si la superficie del producto está caliente.

- Pueden observarse altas temperaturas entre las dos puertas, en los paneles laterales y en la parrilla trasera mientras el producto esté en funcionamiento. Se trata de algo normal y no requiere mantenimiento del servicio.



ADVERTENCIA: Si el problema persiste después de seguir las instrucciones de esta sección, póngase en contacto con su vendedor o un Servicio Autorizado. No trate de reparar el aparato.

EXENCIÓN DE RESPONSABILIDADES / ADVERTENCIA

Es posible que algunas fallas (simples) sean tratadas de manera adecuada por el usuario final sin que se plantee ningún problema de seguridad o uso no seguro, siempre y cuando se lleven a cabo dentro de los límites y de conformidad con las siguientes instrucciones (véase la sección "Autorreparación").

En consecuencia, siempre y cuando no se autorice lo contrario en la sección "Autorreparación" que se encuentra a continuación, las reparaciones deben ser dirigidas a los reparadores profesionales registrados para evitar problemas de seguridad. Se considera un reparador profesional registrado el que ha tenido acceso a las instrucciones y a la lista de piezas de repuesto de este producto por parte del fabricante de acuerdo con los métodos descritos en los actos legislativos en virtud de la Directiva 2009/125/CE.

No obstante, según las condiciones de la garantía, sólo el agente de servicio (por ejemplo, los reparadores profesionales autorizados) al que puede llamar utilizando el número de teléfono que figura en el manual de usuario/tarjeta de garantía o bien a través de su distribuidor autorizado puede prestar servicio. Por consiguiente, por favor, tenga en cuenta que las reparaciones realizadas por reparadores profesionales (no autorizados por Beko) anularán la garantía.

Autorreparación

El usuario final puede realizar la reparación por su cuenta con respecto a las siguientes piezas de repuesto: manijas de puertas, bisagras de puertas, bandejas, cestas y juntas de puertas (una lista actualizada

también estará disponible en support.beko.com a partir del 1 de Marzo de 2021).

Por otra parte, con el fin de garantizar la seguridad del producto y prevenir el riesgo de lesiones graves, la autorreparación citada se llevará a cabo siguiendo las instrucciones del manual de usuario para la autorreparación o las que están disponibles en support.beko.com. Para su seguridad, desenchufe el producto antes de intentar cualquier autorreparación.

La reparación y los intentos de reparación por parte de los usuarios finales de piezas no incluidas en dicha lista y/o no seguir las instrucciones contenidas en los manuales de usuario para la autorreparación o que están disponibles en support.beko.com, podrían causar problemas de seguridad no atribuibles a Beko, y anularían la garantía del producto.

Por ello, es muy recomendable que los usuarios finales se abstengan de intentar realizar las reparaciones que estén fuera de la lista de piezas de repuesto mencionada, comunicándose en tales casos con los reparadores profesionales autorizados o con los reparadores profesionales registrados. Al contrario, dichos intentos por parte de los usuarios finales pueden provocar problemas de seguridad y dañar el producto y, en consecuencia, provocar incendios, inundaciones, electrocución y lesiones personales graves.

Con carácter ejemplar, pero no limitado a ello, las siguientes reparaciones deben dirigirse a los autorizados reparadores profesionales o reparadores profesionales registrados: compresor, circuito de refrigeración, placa principal, tablero del inversor, tablero de la pantalla, etc.

En caso de que los usuarios finales no cumplan con lo anterior, el fabricante/ vendedor no podrá ser considerado responsable.

La disponibilidad de piezas de repuesto del refrigerador que ha adquirido es de 10 años.

Durante este período, las piezas de repuesto originales estarán disponibles para el funcionamiento apropiado del refrigerador.

La duración mínima de la garantía del refrigerador que ha comprado es de 24 meses.

Este producto está equipado con una fuente de iluminación de la clase energética "G".

La fuente de iluminación de este producto sólo debe ser sustituida por reparadores profesionales.

Lees deze handleiding voor u het product gebruikt!

Beste klant,

We willen optimale prestaties bereiken met onze producten die in moderne faciliteiten worden gefabriceerd met nauwgezette kwaliteitscontroles.

We raden daarom ook aan de volledige handleiding door te nemen voor u het product in gebruik neemt. Als het product wordt doorgegeven aan een derde persoon mag men niet vergeten de handleiding ook te overhandigen aan de nieuwe eigenaar samen met het product.

Deze handleiding helpt u uw product snel en veilig te gebruiken.

- Lees de gebruikershandleiding voor de installatie en bediening van het product.
- U moet de geldige veiligheidsinstructies altijd naleven.
- Bewaar de handleiding binnen handbereik voor een eventuele raadpleging in de toekomst.
- Lees alle andere documenten die worden geleverd met het product.

Vergeet niet dat deze handleiding van toepassing kan zijn op meerdere productmodellen. De handleiding vermeldt eventuele variaties tussen de verschillende modellen heel duidelijk.



Belangrijke informatie en handige tips.



Risico van fatale gevolgen en schade aan eigendom.



Risico van elektrische schokken.



De verpakking van het product is vervaardigd uit recyclebaar materiaal, in overeenstemming met de Nationale Milieuwetgeving.



INFORMATIE



ENERGY



SUPPLIER'S NAME

MODEL IDENTIFIER

(*)

A

A

De informatie van het model zoals opgeslagen in de productdatabank is toegankelijk op de onderstaande website. Zoek uw model identificatie (*) vermeld op het energielabel.

<https://eprel.ec.europa.eu/>

1 Belangrijke Veiligheids- en omgevingsinstructies	4	5 Gebruik van uw koelkast/ diepvriezer	13
1.1. Algemene veiligheid	4	5.1. Koelen.	14
1.1.1 HC waarschuwing	6	5.2. Het plaatsen van de levensmiddelen	14
1.1.2 Voor modellen met een waterfontein	6	5.3. Verse voedingsmiddelen invriezen.	15
1.2. Bedoeld gebruik.	7	5.4. Aanbeveling voor het bewaren van diepvriesvoedsel	15
1.3. Kinderveiligheid	7	5.5. Het plaatsen van de voedingsmiddelen	16
1.4. Conformiteit met de WEEE-richtlijn en Verwijdering van afvalproducten.	7	5.6. Diepvriesinformatie	16
1.5. Conformiteit met de RoHS-richtlijn	7	5.7. Vochtgecontroleerd groentevak.	17
1.6. Informatie op de verpakking	7	5.8. Blauw licht	17
2 Uw koelkast	8	5.9. Waterdispenser	17
3 Installatie	9	5.10. Gebruik van de waterdispenser	17
3.1. Correcte plaats voor de installatie	9	5.11. De lade voor zuivelproducten (koude opberging)	18
3.2. De voetjes aanpassen	9	5.12. Aanbevelingen voor het vak voor verse etenswaren.	18
De plastic spieën bevestigen	9	6 Onderhoud en reiniging	19
3.3. Stroomaansluiting	10	6.1. Onaangename geurtjes vermijden.	19
4 Voorbereiding	11	6.2. Plastic oppervlakten beschermen	19
4.1. Wat u kunt doen om energie te besparen	11	6.3. Glas in de deur	19
4.2. Eerste gebruik	11	7 Probleemoplossen	20

1 Belangrijke Veiligheids- en omgevingsinstructies

Deze sectie bevat de noodzakelijke veiligheidsinstructies om risico op letsels of materiële schade te vermijden. Het niet naleven van deze instructies resulteert in de nietigverklaring van alle mogelijke productgaranties.

Bedoeld gebruik

	WAARSCHUWING : Indien het apparaat in zijn beschermingskap is of geplaatst is, zorg ervoor dat de ventilatieopeningen niet gedekt zijn.
	WAARSCHUWING : Gebruik geen mechanische apparaten of andere apparaten behalve apparaten welke door de producent worden geadviseerd om het proces voor ontdooien te versnellen.
	WAARSCHUWING : Beschadig koelmiddelstroom circuit niet.
	WAARSCHUWING : Gebruik geen elektrische apparaten welke niet aanbevolen worden door de producent binnen de opslag ruimten voor voedsel.
	WAARSCHUWING: Bewaar geen explosieve stoffen, zoals spuitbussen met een ontvlambaar drijfgas, in dit apparaat.

Dit apparaat is ontworpen om huishelijk gebruik of bij onderstaande soortgelijke gevallen gebruikt te worden.

- Voor het gebruik in personeel keukens bij winkels, bureaus en overige werkplaatsen;

- Voor het gebruik door klanten bij boerderijen en hotels, motels en overige plaatsen waar klanten kunnen verblijven.

1.1. Algemene veiligheid

- Dit product mag niet worden gebruikt door personen met fysieke, gevoelsmatige en mentale handicaps, door personen met onvoldoende kennis en ervaring of door kinderen. Het apparaat mag enkel worden gebruikt door dergelijke personen als ze onder toezicht en instructies staan van een persoon die verantwoordelijk is voor hun veiligheid. Kinderen mogen niet met dit apparaat spelen.

- Als er een defect optreedt, moet u de stekker verwijderen uit het stopcontact.

- Nadat u de stekker hebt verwijderd, moet u 5 minuten wachten voor u hem opnieuw in het stopcontact voert.

- Verwijder de stekker van het product uit het stopcontact als u het niet gebruikt.

- U mag het product niet aanraken met natte handen! Trek niet aan het netsnoer maar houd het steeds vast bij de stekker.

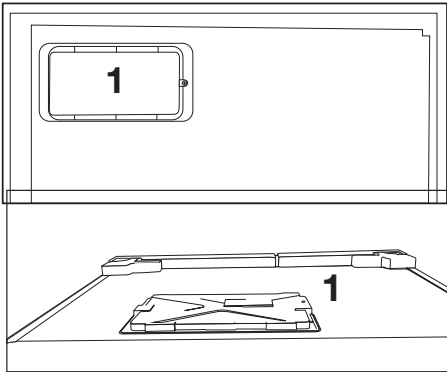
- U mag de stekker van de koelkast niet invoeren als het stopcontact los zit.

- Verwijder de stekker uit het stopcontact tijdens de installatie, onderhoudswerken, reiniging en reparaties.

- Als u het product gedurende een lange periode niet gebruikt, moet u de stekker van het product uit het stopcontact verwijderen en alle etenswaren verwijderen.

- Gebruik het product niet als het compartiment met circuitkaarten op het bovenste deel achteraan van het product (elektrische kaart doos deksel) (1) open is.

Veiligheids- en omgevingsinstructies



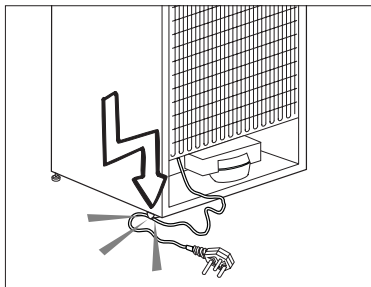
- Gebruik geen stoom of stoomreinigers om de koelkast te reinigen en het ijs te smelten. Stoom kan in contact komen met de geëlektrificeerde zones en kortsluitingen of elektrische schokken veroorzaken!
- U mag het product niet reinigen door er water op te verstuiwen of te gieten! Gevaar van elektrische schokken!
- Als er een defect optreedt, mag u het product niet gebruiken want dit kan elektrische schokken veroorzaken. Neem contact op met de geautoriseerde dienst voor u iets doet.
- Voer de stekker in een geaard stopcontact. De aarding moet worden uitgevoerd door een gekwalificeerde elektricien.
- Als het product voorzien is van een LED-type verlichting moet u contact opnemen met de geautoriseerde dienstverlening om

het te vervangen als er een probleem optreedt.

- Raak geen bevroren goederen aan met natte handen! Ze kunnen blijven plakken aan uw handen!
- Plaats geen vloeistoffen in flessen en blikjes in het vriesvak. Deze kunnen namelijk barsten!
- Plaats vloeistoffen rechtop nadat u het deksel stevig hebt gesloten.
- U mag geen ontvlambare stoffen in de buurt van het product verstuiwen want deze kunnen branden of ontploffen.
- Bewaar geen ontvlambaar materiaal en producten met ontvlambaar gas (sprays, etc.) in de koelkast.
- Plaats geen containers met vloeistof bovenop het product. Water spatten op een geëlektrificeerd onderdeel kan elektrische schokken veroorzaken en fataal aflopen.
- Het product blootstellen aan regen, sneeuw, zonlicht en wind veroorzaakt elektrisch gevaar. Als u het product verplaatst, mag u er niet aan trekken bij het handvat. Het handvat kan los komen.
- Zorg ervoor uw handen of lichaam niet te klemmen in een van de bewegende delen van het product.
- U mag niet stappen of leunen op de deur, laden of gelijkaardige delen van de koelkast. Dit kan er toe leiden dat het product valt en het kan schade veroorzaken aan de onderdelen.
- Let erop het netsnoer niet te klemmen.
- **Zorg er bij het plaatsen van het apparaat voor dat het stroomsnoer niet ingeklemd of beschadigd is.**

Veiligheids- en omgevingsinstructies

- Plaats geen stekkerdozen of draagbare stroomvoorzieningen aan de achterkant van het apparaat.



- Kinderen tussen de 3 en 8 jaar mogen koelapparatuur in- en uitladen.
- Om besmetting met levensmiddelen te vermijden, dienen de volgende instructies te worden nageleefd:
 - – Het langdurig openen van de deur kan een behoorlijke temperatuurstijging in de schappen van het apparaat veroorzaken.
 - – Reinig regelmatig oppervlakken die in contact komen met levensmiddelen en toegankelijke afvoersystemen.
 - – Reinig waterreservoirs indien deze 48 uur niet gebruikt zijn; spoel het watersysteem dat aangesloten is op een watertoevoer door indien er 5 dagen geen water is getapt.
 - – Bewaar rauw vlees en rauwe vis in geschikte schalen in de koelkast, zodat het niet in contact kan komen met of kan druppelen op andere levensmiddelen.

- – Diepvriesvakken met twee sterren zijn geschikt voor het bewaren van diepvriesproducten, het bewaren en maken van ijs en ijsblokjes.
- – Diepvriesvakken met een, twee en drie sterren zijn niet geschikt voor het invriezen van verse levensmiddelen.
- – Indien het koelapparaat langdurig leeg blijft, schakel het dan uit, ontdooi, reinig en droog het en laat de deur open ter voorkoming dat er zich in het apparaat schimmel ontwikkelt.

1.1.1 HC waarschuwing

Als het product voorzien is van een koelsysteem met R600 gas moet u er op letten het koelsysteem en de leiding niet te beschadigen wanneer u het product gebruikt of verplaatst. Dit gas is ontvlambaar. Als het koelsysteem beschadigd is, moet u het product uit te buurt van brandhaarden houden en de ruimte onmiddellijk ventileren.



Het label links aan de binnenzijde geeft het type gas aan dat in het product wordt gebruikt.

1.1.2 Voor modellen met een waterfontein

- De druk van de koud waterinlaat mag maximum 90psi (620 kPa) bedragen. Als uw waterdruk hoger is dan 80psi (550 kPa) moet u een drukkbegrenzer gebruiken in uw netwerk. Als u niet weet hoe u uw waterdruk kunt controleren, moet u hulp vragen van een professionele loodgieter.

Veiligheids- en omgevingsinstructies

- Als het risico bestaat op een waterslageffect in uw installatie moet u altijd een waterslag preventie apparatuur installeren. Raadpleeg een professionele loodgieter als u niet zeker bent of er een waterslageffect aanwezig is in uw installatie.
- Installeer deze niet op de warme waterinlaat. Neem de nodige maatregelen tegen het bevroren van de leidingen. De watertemperatuur bedrijfsinterval moet minimum 330F (0,6°C) en maximum 1000F (38°C) zijn.
- Gebruik enkel drinkwater.

1.2. Bedoeld gebruik

- Dit product is ontworpen voor huishoudelijk gebruik. Het is niet bedoeld voor commercieel gebruik.
- Het product mag enkel worden gebruikt om etenswaren en dranken op te slaan.
- U mag geen gevoelige producten bewaren die een gecontroleerde temperatuur vereisen (vaccins, warmtegevoelige medicatie, medische producten, etc.) in de koelkast.
- De fabrikant aanvaardt geen verantwoordelijkheid voor eventuele schade als het gevolg van misbruik of een incorrecte hantering.
- Originele reserveonderdelen worden gedurende 10 jaar geleverd na de aankoopdatum van het product.

1.3. Kinderveiligheid

- Houd de verpakking uit de buurt van kinderen.
- Laat kinderen nooit spelen met het product.

- Als de deur van het product voorzien is van een slot moet u ze uit de buurt van kinderen houden.

1.4. Conformiteit met de WEEE-richtlijn en Verwijdering van afvalproducten

Dit product is conform met de EU WEEE-richtlijn (2012/19/EU). Dit product draagt een classificatiesymbool voor afval elektrische en elektronische apparatuur (WEEE).



Dit product werd vervaardigd met kwalitatief hoogstaande onderdelen en materialen die opnieuw kunnen worden gebruikt en die geschikt zijn voor recycling. U mag het afvalproduct niet verwijderen met het normale huishoudelijke en andere afval

aan het einde van de levensduur. Breng het naar een inzamelcentrum voor de recycling van elektrische en elektronische apparatuur. Raadpleeg uw lokale autoriteiten voor meer informatie over deze inzamelcentra.

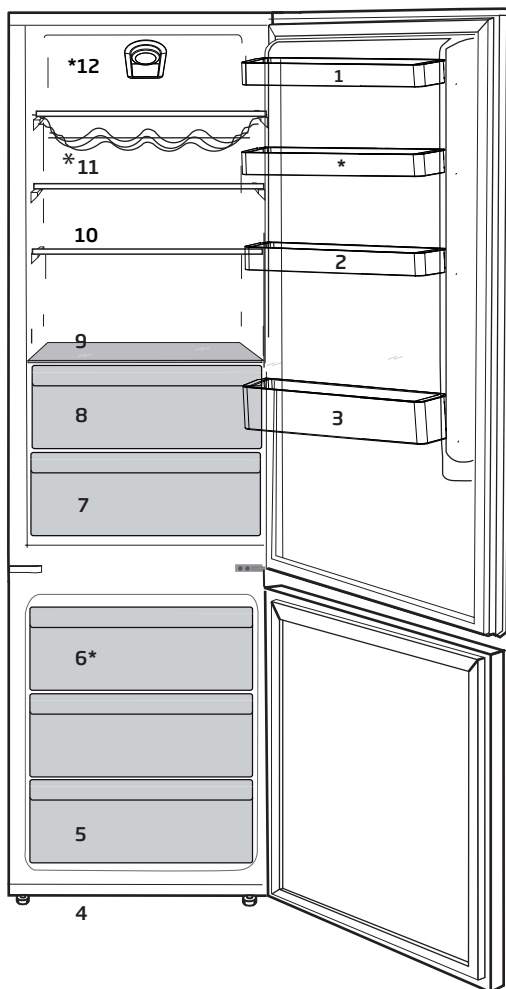
1.5. Conformiteit met de RoHS-richtlijn

- Dit product is conform met de EU WEEE-richtlijn (2011/65/EU). Het bevat geen schadelijk en verboden materiaal zoals gespecificeerd in de Richtlijn.

1.6. Informatie op de verpakking

- Het verpakkingsmateriaal van het product is gefabriceerd van recyclebaar materiaal in overeenstemming met onze Nationale Milieuwetgeving. U mag het verpakkingsmateriaal niet samen met het huishoudelijke of ander afval weggooien. Breng het naar de inzamelpunten voor verpakkingsmateriaal aangewezen door de lokale autoriteiten.

2 Uw koelkast



1. Ovihyll
2. Eiergedeelte
3. Flessenrek
4. Stelvoetjes
5. Diepvriesgedeelte
6. Ventilator vriezer
7. Groenteladen
8. Chillervak
9. Deksel van groentelad
10. Aanpasbare schappen
11. Wijnkelder
12. Bouton du thermostat

***Is mogelijk niet beschikbaar in alle modellen**



Foto's in deze handleiding dienen enkel als voorbeeld en zijn mogelijk niet exact hetzelfde als uw product. Als de betrokken vakken niet aanwezig zijn in uw product verwijst de informatie naar andere modellen.

3 Installatie

3.1. Correcte plaats voor de installatie

Neem contact op met de Geautoriseerde Dienst voor de installatie van het product. Om het product voor te bereiden voor de installatie kunt u de informatie raadplegen in de handleiding en ervoor zorgen dat de elektrische en watervoorzieningen correct zijn uitgevoerd. Zo niet moet u een elektricien en loodgieter aanspreken om de voorzieningen correct uit te voeren.



WAARSCHUWING: De fabrikant aanvaardt geen verantwoordelijkheid voor eventuele schade veroorzaakt door werkzaamheden die worden uitgevoerd door niet-geautoriseerde personen.



WAARSCHUWING: Het netsnoer van het product moet uit het stopcontact worden verwijderd tijdens de installatie. Zo niet kan dit fataal aflopen of resulteren in ernstige letsels!



WAARSCHUWING: Als de deuropening te nauw is om het product door te laten, moet u de deur verwijderen en het product zijdelings draaien; als dit niet werkt, kunt u contact opnemen met de geautoriseerde dienst.

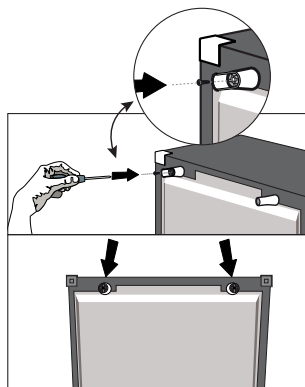
- Plaats het product op een vlakke ondergrond om trillingen te vermijden.
- Plaats het product minimum 30 cm verwijderd van de radiator, het fornuis en gelijkaardige warmtebronnen en minimum 5 cm van elektrische ovens.
- U mag het product niet blootstellen aan direct zonlicht en u mag het niet bewaren in een vochtige omgeving.
- Het product vereist voldoende luchtcirculatie voor een efficiënte werking.
- Als het product in een muurholte wordt geplaatst, mag u niet vergeten minimum 5 cm tussenruimte te laten tussen het product en het plafond en de muren.
- Installeer het product niet in omgevingen met temperaturen van minder dan -5°C .

- U moet ten minste 5 cm vrije ruimte laten tussen de achterzijde van uw product en de muur om een goede luchtcirculatie mogelijk te maken en condensatie te vermijden op het achterpaneel van het product.

De plastic spieën bevestigen

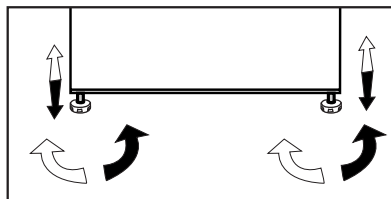
Gebruik de plastic spieën die worden geleverd met het product om voldoende ruimte te laten voor de luchtcirculatie tussen het product en de muur.

1. Om de spieën te bevestigen, verwijdert u de schroeven van het product en gebruikt u de schroeven die worden geleverd met de spieën.
2. Bevestig 2 plastic spieën op het ventilatiedeksel zoals aangetoond in de afbeelding.



3.2. De voetjes aanpassen

Als het product niet in evenwicht staat, moet u de voorste instelbare voetjes aanpassen door ze naar rechts of links te draaien.



3.3. Stroomaansluiting



WAARSCHUWING: Gebruik geen verlengsnoer of meervoudige stopcontacten voor de stroomverbinding.



WAARSCHUWING: Een beschadigd netsnoer moet worden vervangen door een Geautoriseerde Dienst.



Als u twee koelers naast elkaar plaatst, moet u minimum 4 cm afstand laten tussen beide toestellen.

- Ons bedrijf aanvaardt geen verantwoordelijkheid voor eventuele schade door het gebruik zonder aarding en stroomverbinding conform de nationale wetgeving.
- De netstekker moet gemakkelijk toegankelijk blijven na de installatie.
- Gebruik geen multi-groep stekker met of zonder verlengsnoer tussen het stopcontact en de koelkast.



Warm oppervlak waarschuwing
De zijwanden van uw product zijn uitgerust met koelleidingen om het koelsysteem te verbeteren. Er kan koelmiddel met heel hoge temperaturen door deze zones stromen en dit kan resulteren in warme oppervlakken op de zijwanden. Dit is normaal en vereist geen onderhoudswerken. Wees voorzichtig wanneer u deze zones aanraakt.

4 Voorbereiding

4.1. Wat u kunt doen om energie te besparen



Het product verbinden met elektronische energiebesparende systemen is schadelijk want het kan uw product beschadigen.

- Voor een vrijstaand apparaat; “dit koelend apparaat is niet bedoeld voor gebruik als een ingebouwd apparaat.
- Houd de deur van de koelkast niet te lang open.
- Plaats geen warme dranken in de koelkast.
- U mag de koelkast niet te veel opvullen; als u de interne luchtcirculatie blokkeert, vermindert het koelvermogen.
- Om een maximale hoeveelheid etenswaren op te slaan in het koelvak van uw koelkast kunt u de bovenste laden verwijderen en ze op het glazen rek plaatsen. Het vermelde energieverbruik van uw koelkast werd bepaald door het koelvak, ijslade en bovenste laden te verwijderen op een wijze die een optimale bewaring toelaat. Het is aangeraden de onderste lade te gebruiken om etenswaren te bewaren. De energiebesparingsfunctie moet worden ingeschakeld voor een optimaal energieverbruik.
- U mag de luchtstroom niet blokkeren door etenswaren voor de ventilator te plaatsen. U moet minimum 3cm vrij laten voor het rooster van de ventilator wanneer u etenswaren in de koelkast plaatst.
- Afhankelijk van de kenmerken van het product; ingevroren etenswaren ontdooien in het koelvak resulteert in energiebesparing en bewaart de kwaliteit van de etenswaren.
- Etenswaren moeten worden bewaard op de laden in het koelvak om energie te besparen en etenswaren in betere omstandigheden te beschermen.
- Pakketten met etenswaren mogen niet in direct contact staan met de warmtesensor in het koelvak. Als ze in contact staan met de sensor kan het energieverbruik van het apparaat stijgen.

- Zorg ervoor dat de etenswaren niet in contact komen met de hieronder beschreven temperatuursensor van het koelvak.

4.2. Eerste gebruik

Voor u de koelkast in gebruik neemt, moet u ervoor zorgen dat u de nodige voorbereidingen treft in overeenstemming met de instructies vermeld in de “Veiligheids- en omgevingsinstructies” en “Installatie” secties.

- Schakel het product in zonder etenswaren en laat het werken gedurende 6 uur. Open de deur niet tenzij absoluut noodzakelijk.



Een geluidssignaal weerklinkt wanneer de compressor wordt ingeschakeld. Het is normaal dat u geluid hoort, zelfs als de compressor niet ingeschakeld is, omwille van de perslucht en gassen in het koelsysteem.



De voorste randen van het apparaat kunnen opwarmen. Dit is normaal. Deze zones zijn ontworpen om op te warmen en condensatie te vermijden.

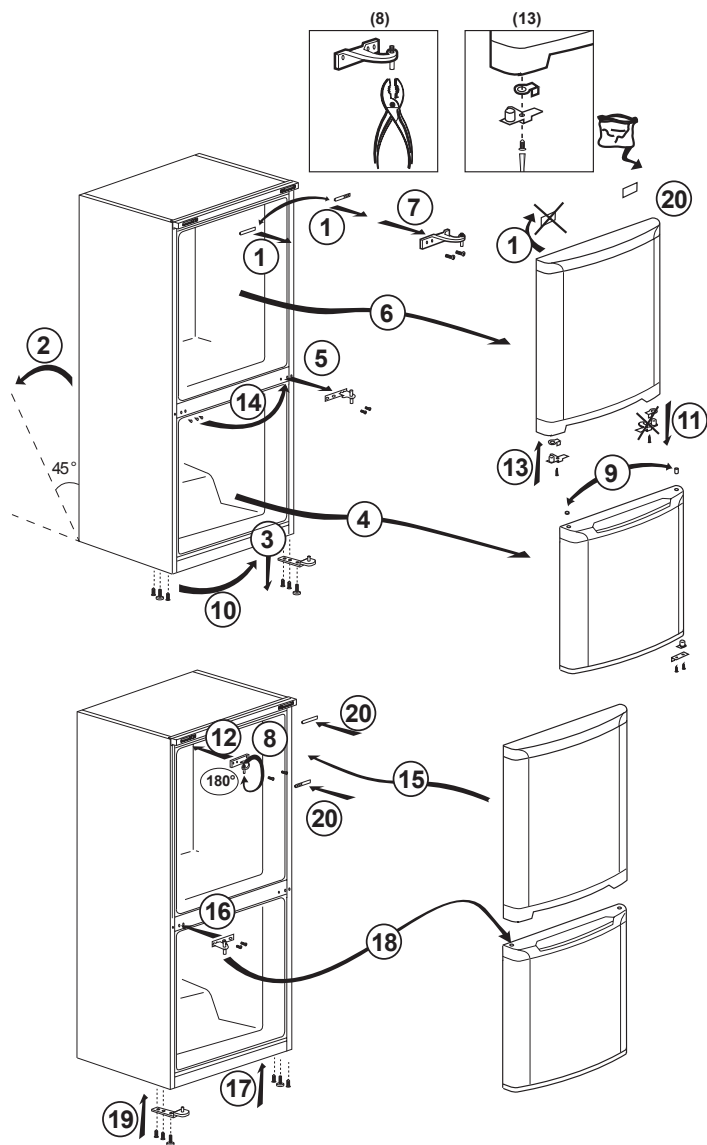


In sommige modellen schakelt het indicatorpaneel automatisch uit 5 minuten nadat de deur sluit. Ze wordt opnieuw ingeschakeld wanneer de deur geopend wordt of een toets ingedrukt wordt.

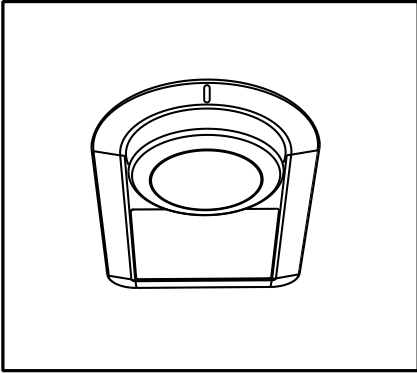
- Aangezien warme en vochtige lucht niet direct in uw product doordringt als de deuren niet geopend zijn, zal uw product zichzelf optimaliseren in omstandigheden die voldoende zijn om uw voedsel te beschermen. Functies en onderdelen zoals een compressor, ventilator, verwarmers, ontdooien, verlichting, display enzovoort zullen werken volgens de behoeften om in deze omstandigheden een minimum aan energie te verbruiken.

De deuren omkeren

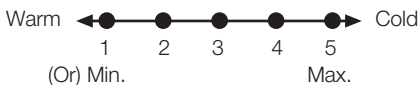
Ga verder in numerieke volgorde.



5 Gebruik van uw koelkast/diepvriezer



De werkingstemperatuur wordt geregeld via de temperatuurbediening.



0 = Systeemkoeling staat uit.

1 = Laagste koelstand (warmste instelling)

5 = Hoogste koelstand (koudste instelling)

De gemiddelde koelkasttemperatuur moet ongeveer +5 °C bedragen.

Kies een stand afhankelijk van de gewenste temperatuur.

Merk op dat er in het koelgebied verschillende temperaturen zijn.

Het koudste gedeelte bevindt zich onmiddellijk boven het groentevak.

De binnentemperatuur hangt ook af van de omgevingstemperatuur, hoe vaak de deur geopend wordt en de hoeveelheid voedsel die in de koelkast wordt bewaard.

Wanneer u de deur vaak opent, stijgt de binnentemperatuur.

Het is daarom raadzaam om de deur na elk gebruik zo snel mogelijk te sluiten.

De binnentemperatuur van uw koelkast verandert om de volgende redenen;

- Seizoenstemperaturen,
- Frequent openen van de deur of de deur lang open laten staan,
- Etenswaar dat in de koelkast wordt geplaatst zonder dat deze tot kamertemperatuur is zijn afgekoeld,
- De plaats van de koelkast in de kamer (bijv. blootgesteld aan zonlicht).
- Met de thermostaat kunt u een als gevolg van deze redenen variërende binnentemperatuur aanpassen. De cijfers rond de thermostaatknop geven de mate van koeling aan.
- Wanneer de omgevingstemperatuur hoger is dan 32°C, draait u de thermostaatknop in de maximumpositie.
- Wanneer de omgevingstemperatuur lager is dan 25°C, draait u de thermostaatknop naar de minimumpositie.



De afbeeldingen in deze handleiding zijn bedoeld als schetsen en het is mogelijk dat ze niet perfect overeenstemmen met uw product. Als de betrokken vakken niet aanwezig zijn in uw product verwijst de informatie naar andere modellen.

Het gebruik van het product

5.1. Koelen

Bewaren van voedsel

Het koelkastgedeelte dient voor het bewaren van verse etenswaren en dranken.

Bewaar melkproducten in het daartoe bedoelde vak in de koelkast/diepvriezer.

Flessen kunnen in de flessenhouder worden gezet of in het flessenvak van de deur.

Rauw vlees kan het best worden bewaard in een polyethyleen zak onderin de koelkast/diepvriezer.

Laat hete voedingswaren en dranken eerst afkoelen tot kamertemperatuur voor u ze in de koelkast/diepvriezer plaatst.

- Let op

Bewaar geconcentreerde alcohol enkel rechtopstaand en goed afgesloten.

- Let op

Bewaar geen explosieve bestanddelen of containers met ontvlambaar drijfgas (slagroomverdelers, spuitbussen, enz.) in het apparaat. Er bestaat een kans op explosie.

5.2. Het plaatsen van de levensmiddelen

Eierrek	Eieren
Schappen van het koelgedeelte	Levensmiddelen in pannen, bedekte borden, gesloten bakjes
Deurvakken koelgedeelte	Kleine en verpakte levensmiddelen of drank (zoals melk, vruchtensap en bier)
Groentelade	Groente en fruit

Ontdooien van het apparaat

Het apparaat ontdooit automatisch.

Het gebruik van het product

5.3. Verse voedingsmiddelen invriezen

- Het wordt aanbevolen om voedingsmiddelen te verpakken of af te dekken voordat u deze in de koelkast plaatst.
- Warme voedingsmiddelen en dranken moeten eerst afkoelen tot kamertemperatuur voor u ze in de koelkast plaatst.
- De voedingsmiddelen die u wenst in te vriezen dienen vers en van goede kwaliteit te zijn.
- De voedingsmiddelen dienen in porties te worden verdeeld op basis van de dagelijkse of maaltijdgebaseerde consumptiebehoeften van het gezin.
- Voedingsmiddelen moeten luchtdicht worden verpakt om uitdroging te voorkomen, zelfs wanneer ze slechts gedurende een korte periode worden bewaard.
- Materialen die voor verpakking worden gebruikt moeten scheurvast zijn en bestand zijn tegen koude, vocht, geuren, olie en zuren en moeten luchtdicht zijn. Daarnaast moeten ze goed afgesloten worden en gemaakt zijn van eenvoudig te gebruiken materialen geschikt voor gebruik in een diepvriezer.
- Bevroren voedingsmiddelen moeten onmiddellijk na ontdooiing worden gebruikt en mogen nooit opnieuw worden ingevroren.

- Gelieve de volgende instructies in acht te nemen om de beste resultaten te bereiken.
1. Vries nooit te grote hoeveelheden voedingsmiddelen in één keer in. De kwaliteit van het eten blijft het best geconserveerd wanneer het zo snel mogelijk goed tot in het hart wordt ingevroren.
 2. Warm eten in de diepvriezer plaatsen, heeft tot gevolg dat het koelsysteem aan één stuk door blijft werken totdat het eten vast is diepgevroren.
 3. Zorg er goed voor geen diepvriesproducten te mengen met verse voedingsmiddelen.

5.4. Aanbeveling voor het bewaren van diepvriesvoedsel

- Voorverpakte commerciële diepvriesproducten dienen conform de instructies van de fabrikant te worden bewaard gedurende  (4 ster) in het vak voor diepvriesproducten.
 - Om de kwaliteit van de fabrikant van de diepvriesproducten en voedingswinkels te behouden, dient u het volgende in acht te nemen:
1. Plaats de diepvriesproducten na aankoop zo snel mogelijk in de diepvriezer.
 2. Zorg dat de inhoud gelabeld is en van datum is voorzien.
 3. Overschrijd nooit de "Te gebruiken voor" of "Tenminste houdbaar tot" data op de verpakking.

Het gebruik van het product

Ontdooien

Het diepvriesgedeelte ontdooit automatisch.

5.5. Het plaatsen van de voedingsmiddelen

Schappen van het diepvriesgedeelte	Verschillende ingevroren voedingsmiddelen zoals vlees, vis, ijs, groenten enz.
Eierrek	Eieren
Schappen van het koelgedeelte	Voedingsmiddelen in pannen, bedekte borden, gesloten bakjes.
Deurvakken koelgedeelte	Kleine en verpakte eetwaar of drank (zoals melk, vruchtensap en bier)
Groentelade	Groente en fruit
Vershoudgedeelte	Delicatessen (kaas, boter, salami enz.)

5.6. Diepvriesinformatie

Om voedingsmiddelen in goede kwaliteit te houden, moeten ze zo snel mogelijk worden ingevroren wanneer ze in een koelkast worden geplaatst. De TSE norm vereist (volgens bepaalde meetcondities) dat de koelkast minimaal 4,5 kg voedingsmiddelen met een omgevingstemperatuur van 32°C kan vriezen tot -18°C of lager binnen 24 uur voor iedere 100 liter vriezerinhoud.

Het is mogelijk om de voedingsmiddelen gedurende lange tijd op een temperatuur van -18°C of lager te bewaren.

U kunt de versheid van voedingsmiddelen gedurende vele maanden bewaren (bij een temperatuur van -18°C of lager in de diepvriezer).

WAARSCHUWING!



• De voedingsmiddelen dienen in porties te worden verdeeld op basis van de dagelijkse of maaltijd gebaseerde consumptiebehoeften van het gezin.

* Voedingsmiddelen moeten luchtdicht worden verpakt om uitdroging te voorkomen, zelfs wanneer ze slechts gedurende een korte periode worden bewaard.

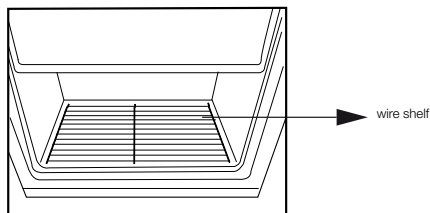
Benodigde materialen voor verpakking:

- Plakband dat bestand is tegen koude
- Zelfplakende etiketten
- Elastiekjes
- Pen

Materialen die voor verpakking worden gebruikt moeten scheurvast zijn en bestand zijn tegen koude, vocht, geuren, olie en zuren.

In te vriezen voedingsmiddelen mogen niet in aanraking komen met eerder ingevroren stukken om gedeeltelijke ontdooiing daarvan te voorkomen.

Bevroren voedingsmiddelen moeten onmiddellijk na ontdooiing worden gebruikt en mogen nooit opnieuw worden ingevroren.



Nous vous conseillons d'utiliser les plaques réfrigérantes fournies conformément à la procédure ci-dessous avant l'activation de la fonction de congélation rapide. La capacité de conservation et de congélation rapide du compartiment congélateur s'en trouve ainsi améliorée.

Het gebruik van het product

5.7. Vochtgecontroleerd groentevak

(Optioneel)

Met de vochtigheidscontrolefunctie wordt de vochtigheidsgraad van groenten en fruit onder controle gehouden en dit garandeert langer verse etenswaren

Het is aanbevolen bladgroenten zoals sla en spinazie en gelijkaardige groenten die vocht kunnen verliezen niet op hun wortels te leggen maar zo veel mogelijk in een horizontale positie in het groentevak.

Wanneer u groenten in het vak plaatst, moet u de zware en harde groenten onderaan leggen en de lichte en zachte groenten bovenaan, rekening houdend met de specifieke gewichten van de groenten.

Laat geen groenten in het groentevak in een plastic zak. Als u ze in een plastic zak laat, kunnen ze snel bederven. In situaties waar contact met andere groenten niet wenselijk is, kunt u verpakkingsmateriaal gebruiken, zoals papier, met een zekere porositeit voor hygiënische redenen.

Plaats geen fruit die veel ethyleengas produceren zoals peren, abrikozen, perziken en in het bijzonder appels in hetzelfde groentevak met andere groenten en fruit. Het ethyleengas dat ontsnapt uit dit fruit kan ertoe leiden dat groenten en fruit sneller rijpen en bederven.

5.8. Blauw licht

*optioneel

Voedingsmiddelen die worden bewaard in de groenteladen en met een blauw licht worden verlicht, blijven doorgaan met hun fotosynthese door middel van het golflengte-effect van het blauwe licht. Zo behouden zij hun versheid en neemt hun vitaminegehalte toe.

5.9. Waterdispenser

* Is mogelijk niet beschikbaar in alle modellen

De waterdispenser is erg bruikbaar om koud water te krijgen zonder de deur van de koelkast te openen. Omdat u minder regelmatig de koelkast open doet, spaart u energie.

5.10. Gebruik van de waterdispenser

Druk met uw glas tegen de hefboom van de waterdispenser. De dispenser stopt met werken zodra u de hefboom los laat.

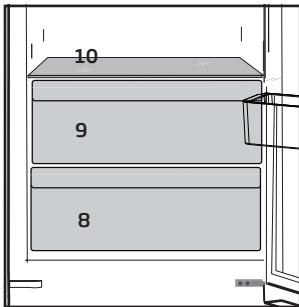
Wanneer u de waterdispenser bedient, kan het maximale debiet worden bekomen door de hefboom volledig in te drukken. Vergeet niet dat de debiethoeveelheid van de dispenser afhankelijk is van de mate waarin u de hefboom indrukt.

Met de stijging van het waterpeil in uw glas/container, vermindert u de druk op de hefboom om te voorkomen dat het recipiënt overloopt. Wanneer u de hefboom slechts lichtjes indrukt druppelt het water, dit is normaal en is geen storing.

Het gebruik van het product

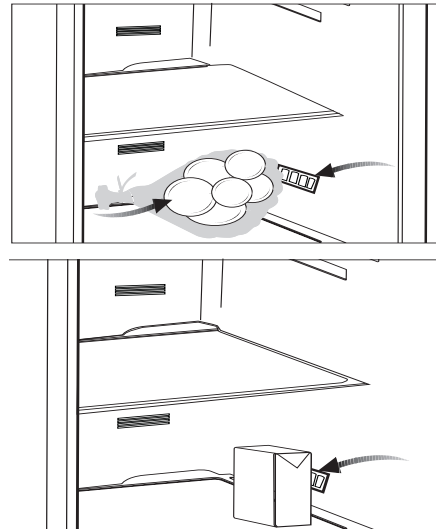
5.11. De lade voor zuivelproducten (koude opberging)

Biedt een lagere temperatuur in het koelvak. Gebruik deze lade om delicatessen te bewaren (salami, worst, zuivelproducten, etc.) die een lagere bewaartemperatuur of vlees, kip of visproducten voor onmiddellijk verbruik. Bewaar geen fruit en groenten in deze lade.



5.12. Aanbevelingen voor het vak voor verse etenswaren OPTIONEEL

Als er meerdere opties zijn, moeten de glazen platen zodanig worden geplaatst dat ze de luchtuitlaten op de achterwand niet blokkeren. De luchtuitlaten moeten bij voorkeur onder de glazen platen blijven. Deze combinatie kan bijdragen tot de luchtcirculatie en energie-efficiëntie.



6 Onderhoud en reiniging

De levensduur van het product verhoogt als het regelmatig wordt gereinigd.



WAARSCHUWING: Verwijder eerst de stekker uit het stopcontact voor u uw koelkast reinigt.

- Gebruik nooit scherpe of schurende middelen, zeep, huishoudelijke reinigingsproducten, oplosmiddelen en was om het product te reinigen.
- Los een theelepel koolzuurzout op in een halve liter water. Giet de oplossing op een doek en wring de doek grondig uit. Wrijf de binnenzijde van het apparaat met deze doek en droog grondig.
- Zorg ervoor dat er geen water in de lampbehuizing en andere elektrische items binnendringt.
- Reinig de deur met een vochtige doek. Verwijder alle inhoud voor u de deur en laden verwijdert. Verwijder de deurladen door ze omhoog te tillen. Na de reiniging, schuift u ze van boven naar onder om ze te installeren.
- Gebruik nooit reinigingsmiddelen of water met chloor om de externe oppervlakken en verchroomde onderdelen van het product te reinigen. Chloor veroorzaakt corrosie op dergelijke metalen oppervlakken.
- Gebruik geen scherp schurend gereedschap, zeep, huishoudelijke reinigingsmiddelen, oplosmiddelen, kerosine, brandstofolie, vernis, etc. om te voorkomen dat de afdruk op het plastic deel zou verwijderd worden of loskomen. Gebruik lauw water en een zachte doek om het te reinigen en wrijf droog.

6.1. Onaangename geurtjes vermijden.

Materiaal dat geurtjes kan veroorzaken, worden niet gebruikt tijdens de productie van onze apparaten. Hoewel, omwille van slechte bewaaromstandigheden van etenswaren en het niet reinigen van het interne oppervlak van het apparaat zoals vereist, kan geurproblemen veroorzaken.

Om die reden moet u de koelkast reinigen met koolzuurzout opgelost in water elke 15 dagen.

- Bewaar de etenswaren in gesloten containers. Micro-organismen verspreiden zich uit onbedekte containers kan onaangename geurtjes veroorzaken.
- Bewaar nooit etenswaren met "tenminste houdbaar tot" data die verstreken zijn of bedorven etenswaren in de koelkast.

6.2. Plastic oppervlakten beschermen

Reinig onmiddellijk met warm water omdat de olie schade kan veroorzaken op het oppervlak als het op plastic oppervlakken wordt gegoten.

6.3. Glas in de deur

Verwijder de beschermende laag van het glas.

Er is een laag aangebracht op het oppervlak van het glas. Deze laag minimaliseert de opbouw van vlekken en helpt mogelijke vlekken en vuil gemakkelijk te verwijderen.

Glas dat niet beschermd wordt met een dergelijke laag kan onderworpen worden aan hardnekkige verbindingen van lucht- of watergebaseerd organisch of anorganisch vuil zoals ketelsteen, onverbrande waterkoolstoffen, metaaloxiden en siliconen die gemakkelijk en snel vlekken of materiële schade kan veroorzaken. Het glas schoon houden wordt te moeilijk ondanks regelmatige reiniging. Als resultaat gaat het uiterlijk en de doorzichtigheid van het glas achteruit. Harde en corrosieve reinigingsmethoden en samenstellingen versterken deze defecten en versnellen de achteruitgang. Watergebaseerde reinigingsproducten die niet alkalisch en corrosief zijn, moeten worden gebruikt voor regelmatige reinigingsprocessen.

Niet-alkalische en niet corrosieve materialen moeten worden gebruikt voor de reiniging zodat de levensduur van deze laag zo lang mogelijk duurt.

Dit glas is getemperd om de duurzaamheid en bestendigheid tegen impact en breken te verhogen.

Er is ook een beschermende laag aangebracht op de achterzijde als een extra veiligheidsmaatregel om schade aan de omgeving te voorkomen in het geval van breken.

*Alkali is een base die hydroxide-ionen (OH⁻) vormt wanneer het oplost in water.

Li (Lithium), Na (Natrium), K (Kalium) Rb (Rubidium), Cs (Cesium) en kunstmatige en radioactieve Fr (Francium) metalen worden ALKALIMETALEN genoemd.

7 Probleemoplossen

Controleer deze lijst voor u contact opneemt met de dienst. Dit kan u tijd en geld besparen. Deze lijst omvat regelmatig voorkomende klachten die niet het resultaat zijn van gebrekkig vakmanschap of materiaal. Sommige functies die hier worden vermeld zijn mogelijk niet van toepassing op uw product.

De koelkast werkt niet.

- De stekker is niet volledig ingevoerd. >>> Voer de stekker volledig in het stopcontact.
- De zekering verbonden met de aansluiting die het product van stroom voorziet of de hoofdzekering is gesprongen. >>> Controleer de zekeringen.

Condensatie op de zijwand van het koelvak (MULTI ZONE, COOL, CONTROL en FLEXI ZONE).

- De deur werd te vaak geopend >>> Zorg ervoor de deur van het product niet te vaak wordt geopend.
- De omgeving is te vochtig. >>> Installeer het product niet in vochtige omgevingen.
- Etenswaren met vloeistoffen worden bewaard in niet afgedekte containers. >>> Bewaar de etenswaren die vloeistof bevatten in afgedekte containers.
- De deur van het product werd open gelaten. >>> Houd de deur van het product niet te lang open.
- De thermostaat is ingesteld op een te lage temperatuur. >>> Stel de thermostaat in op de gewenste temperatuur.

De compressor werkt niet.

- In het geval van een plotse stroompanne of als het netsnoer wordt verwijderd en opnieuw ingevoerd, is de gasdruk in het koelproduct van het product niet in evenwicht en dit schakelt de thermische beveiliging van de compressor in. Het product start opnieuw op na circa 6 minuten. Als het product na deze periode niet opnieuw start, moet u contact opnemen met de dienst.
- De ontdooifunctie is actief. >>> Dit is normaal voor een volledig automatisch ontdooiend product. Het ontdooien wordt periodiek uitgevoerd.
- De stekker van het product zit niet in het stopcontact. >>> Zorg ervoor dat de stekker in het stopcontact zit.
- De temperatuurinstelling is incorrect. >>> Selecteer de correcte temperatuurinstelling.
- De stroom is uitgeschakeld. >>> Het product blijft normaal werken zodra de stroom opnieuw wordt ingeschakeld.

Het operationele lawaai van de koelkast wordt erger als ze in gebruik is.

- De operationele prestaties van het product kunnen variëren naargelang de wisselingen in de omgevingstemperatuur. Dit is normaal en houdt geen defect in.

De koelkast schakelt te vaak in of schakelt te lang in.

Probleemoplossing

- Het nieuwe product kan groter zijn dan het vorige. Grotere producten werken gedurende langere perioden.
- De temperatuur in de ruimte kan hoog zijn. >>> Het product zal normaal werken gedurende lange perioden bij hogere kamertemperaturen.
- Het is mogelijk dat de stekker van het product recent in het stopcontact werd gevoerd of dat nieuwe etenswaren in het product werden geplaatst. >>> Het duurt langer voor het product om de ingestelde temperatuur te bereiken als het recent in het stopcontact werd gestoken of als er nieuwe etenswaren in het product werden geplaatst. Dit is normaal.
- Het is mogelijk dat er recent grote hoeveelheden warme etenswaren in het product werden geplaatst. >>> Plaats geen warme etenswaren in het product.
- De deuren werden vaak geopend of open gehouden voor lange perioden. >>> De warm lucht die in het product circuleert, zal ervoor zorgen dat het product langer moet werken. Open de deur niet te vaak.
- De deur van de diepvriezer of het koelvak kan op een kier staan. >>> Controleer of de deur volledig gesloten is.
- Het product kan ingesteld zijn op een te lage temperatuur. >>> Stel de temperatuur hoger in en wacht tot het product de ingestelde temperatuur bereikt.
- De sluitring van de koelvak of vriesvak deur kan vuil zijn, versleten of stuk zijn of incorrect aangebracht. >>> Reinig of vervang de sluitring. Een beschadigde / versleten deur sluitring kan er toe leiden dat het product langere perioden werkt om de huidige temperatuur te handhaven.

De temperatuur in het vriesvak is uiterst laag maar de temperatuur in het koelvak is geschikt.

- De temperatuur in het vriesvak is bijzonder laag ingesteld. >>> Stel de temperatuur van het vriesvak in op een hogere temperatuur en controleer opnieuw.

De temperatuur in het vriesvak is uiterst laag maar de temperatuur in het vriesvak is geschikt.

- De temperatuur in het koelvak is bijzonder laag ingesteld. >>> Stel de temperatuur van het vriesvak in op een hogere temperatuur en controleer opnieuw.

De etenswaren in de laden van het koelvak zijn bevroren.

- De temperatuur in het koelvak is bijzonder laag ingesteld. >>> Stel de temperatuur van het vriesvak in op een hogere temperatuur en controleer opnieuw.

De temperatuur in het koelvak of de diepvriezer is te hoog.

- De temperatuur in het koelvak is bijzonder hoog ingesteld. >>> Temperatuurstellingen van het koelvak heeft een invloed op de temperatuur in het vriesvak. Wacht tot de temperatuur van de relevante onderdelen het correcte niveau bereikt door de temperatuur van het koel- en vriesvak te wijzigen.
- De deuren werden vaak geopend of open gehouden voor lange perioden. >>> Open de deur niet te vaak.
- De deur mag niet op een kier staan. >>> Sluit de deur volledig.
- Het is mogelijk dat de stekker van het product recent in het stopcontact werd gevoerd of dat nieuwe etenswaren in het product werden geplaatst. >>> Dit is normaal. Het duurt langer voor het product om de ingestelde temperatuur te bereiken als het recent in het stopcontact werd gestoken of als er nieuwe etenswaren in het product werden geplaatst.
- Het is mogelijk dat er recent grote hoeveelheden warme etenswaren in het product werden geplaatst. >>> Plaats geen warme etenswaren in het product.

Schudden of lawaai.

Probleemoplossing

- De grond is niet horizontaal of duurzaam. >>> Als het product schudt wanneer het langzaam wordt verplaatst, moet u de voetjes instellen om het product in evenwicht te brengen. Zorg er ook voor dat de vloer voldoende duurzaam is om het product te kunnen dragen.
- Alle voorwerpen die op het product zijn geplaatst, kunnen lawaai veroorzaken. >>> Verwijder alle voorwerpen die op het product werden geplaatst.

Het product maakt lawaai van stromende vloeistof, sprays, etc.

- De operationele principes van het product omvatten vloeistoffen en gassen. >>> Dit is normaal en houdt geen defect in.

Er komt een windgeluid voort uit het product.

- Het product gebruikt een ventilator voor de koelprocedure. Dit is normaal en houdt geen defect in.

Er is condensatie op de interne wanden van het product.

- Warme of vochtige weersomstandigheden verhogen ijsvorming en condensatie. Dit is normaal en houdt geen defect in.
- De deuren werden vaak geopend of open gehouden voor lange perioden. >>> U mag de deur niet te vaak openen; als ze open staat, moet u de deur sluiten.
- De deur mag niet op een kier staan. >>> Sluit de deur volledig.

Er is condensatie aanwezig op de buitenzijde van het product of tussen de deuren.

- Het weer kan vochtig zijn. Dit is normaal in vochtige weersomstandigheden. >>> De condensatie zal verdwijnen naarmate de vochtigheidsgraad daalt.

De binnenzijde ruikt slecht.

- Het product wordt niet regelmatig gereinigd. >>> Maak de binnenzijde regelmatig schoon met een spons, warm water en koolzuurhoudend water.
- Sommige containers en verpakkingsmateriaal kunnen geurtjes afgeven. >>> Gebruik de containers en het verpakkingsmateriaal zonder geurtjes.
- De etenswaren werden in niet afgedekte containers geplaatst. >>> Bewaar de etenswaren in afgedekte containers. Micro-organismen kunnen zich verspreiden uit niet afgedekte etenswaren en onaangename geurtjes veroorzaken. Verwijder alle verstreken of bedorven etenswaren uit het product.

De deur sluit niet.

- De verpakkingen van etenswaren mogen de deur niet blokkeren. >>> Verplaats alle voorwerpen die de deur blokkeren.
- Het product staat niet recht op de vloer. >>> Pas de voetjes aan om het product in evenwicht te brengen.
- De grond is niet horizontaal of duurzaam. >>> Zorg ervoor dat de vloer horizontaal is en voldoende duurzaam om het product te kunnen dragen.

Het groentevak is geblokkeerd.

- De etenswaren kunnen in contact komen met de bovenste sectie van de lade. >>> Herschik de etenswaren in de lade.

Als Het Oppervlak Van Het Product Heet Is

- Tijdens de werking kunnen tussen de twee deuren, de zijpanelen en de achterste grill hoge temperaturen worden waargenomen. Dit is normaal en behoeft geen serviceonderhoud! Wees voorzichtig bij het aanraken van deze zones.



WAARSCHUWING: Als het probleem aanhoudt nadat u de instructies in deze sectie hebt gevolgd, kunt u contact opnemen met uw verkoper of een Geautoriseerde Dienst. Probeer het product niet te repareren.

DISCLAIMER / WAARSCHUWING

Sommige (eenvoudige) defecten kunnen correct worden behandeld door de eindgebruiker zonder dat dit aanleiding geeft tot veiligheidsproblemen of een onveilig gebruik, op voorwaarde dat ze worden uitgevoerd binnen de limieten en in overeenstemming met de volgende instructies (zie het hoofdstuk "Zelf-reparatie").

Om die reden, tenzij anderzijds toegelaten in het onderstaande hoofdstuk "Zelf-reparatie", moeten reparaties worden uitgevoerd door geregistreerde professionele monteurs om veiligheidsproblemen te voorkomen. Een geregistreerde professionele monteur is een professionele monteur die toegang heeft gekregen tot de instructies en de lijst met reserveonderdelen van dit product door de fabrikant, in overeenstemming met de methoden beschreven in wetsbesluiten in overeenstemming met Richtlijn 2009/125/EC.

Hoewel, de onderhouds- en reparatiewerken in het kader van de garantievoorwaarden mogen uitsluitend worden uitgevoerd door de gespecialiseerd vertegenwoordiger (m.a.w. geautoriseerde professionele monteurs) die u kunt bereiken via het telefoonnummer vermeld in de gebruikshandleiding/garantiekaart of via uw geautoriseerde verdeler. Om die reden zullen reparaties die worden uitgevoerd door professionele monteurs (die niet zijn geautoriseerd door Beko) de garantie nietig verklaren.

Zelf-reparatie

De eindgebruiker kan de volgende reserveonderdelen zelf repareren: deur handgrepen, deur scharnieren, laden, manden en deurpakkingen (een bijgewerkte lijst is ook beschikbaar op support.beko.com op 1 maart 2021).

Bovendien, om de veiligheid van het product te garanderen en het risico van ernstig letsel te voorkomen, moet de vermelde zelf-reparatie worden uitgevoerd in overeenstemming met de instructies in de handleiding voor zelf-reparatie of die beschikbaar is in support.beko.com. Uit veiligheidsoverwegingen moet u de stekker van het product loskoppelen voor u een zelf-reparatie probeert uit te voeren.

Reparaties en pogingen tot reparatie door eindgebruikers van onderdelen die niet zijn omvat in deze lijst en/of waarbij de instructies in de handleiding voor zelf-reparatie of die beschikbaar zijn in support.beko.com niet worden nageleefd, kunnen resulteren in veiligheidsproblemen die niet kunnen worden toegewezen aan Beko Beko en deze zullen de garantie van het product nietig verklaren.

Om die reden raden wij ten stelligste af dat eindgebruikers op eigen houtje reparaties proberen uit te voeren die buiten de vermelde lijst van reserveonderdelen vallen en in dergelijke situaties beroep doen op een geautoriseerde professionele monteur of geregistreerde professionele monteurs. Dergelijke pogingen van eindgebruikers kunnen daarentegen veiligheidsproblemen en schade aan het product veroorzaken en resulteren in brand, overstromingen, elektrische schokken en ernstig persoonlijk letsel.

Als voorbeeld, maar niet beperkt tot, de volgende reparaties moeten worden uitgevoerd door geautoriseerde professionele servicemonteurs of geregistreerde professionele monteurs: compressor, koelcircuit, moederbord, omzetter bord, weergavebord, etc.

De fabrikant/verkoper kan niet aansprakelijk worden gesteld wanneer eindgebruikers de bovenstaande instructies niet naleven.

De beschikbaarheid van de reserveonderdelen van de koelkast die u hebt gekocht is 10 jaar. Tijdens deze periode zijn de originele reserveonderdelen beschikbaar voor de correcte werking van uw koelkast.

De minimale duur van de garantie van de koelkast die u hebt gekocht, is 24 maanden.

Dit product is uitgerust met een lichtbron van de "G"-energieklasse.

De lichtbron in dit product mag enkel worden vervangen door professionele reparateurs.

Læs venligst denne vejledning først!

Kære kunde

Vi håber, at dit produkt, der er produceret i moderne produktionsanlæg og kontrolleret under de grundigste kvalitetskontrolprocedurer, vil give yde dig en effektiv service.

Derfor anbefaler vi dig grundigt at læse hele vejledningen for produktet, inden du tager det i anvendelse, og gemmer det tilgængeligt for fremtidige opslag.

Denne vejledning

- Vil hjælpe dig med at bruge køle-/fryseskabet hurtigt og sikkert.
- Læs denne vejledning, inden du installerer og betjener produktet.
- Følg instruktionerne, især sikkerhedsinstruktionerne.
- Opbevar denne manual på et nemt tilgængeligt sted, da du kan få brug for den senere.
- Derudover skal du også læse de andre dokumenter, der er fulgt med produktet.
- Bemærk at denne vejledning også kan være gældende for andre modeller.

Symboler og deres beskrivelse

Denne brugsvejledning indeholder følgende symboler:



Vigtige informationer eller brugbare tips.



Advarsel mod farlige forhold for liv og ejendom.



Advarsel mod strømspænding.



Advarsel: Brandrisiko / Brændbare materialer






i INFORMATION	
	Modeloplysninger, som er gemt i produktbasen, kan nås ved at gå ind på følgende websted og søge efter din modelidentifikator (*), der findes på energimærket.
SUPPLIER'S NAME A	MODEL IDENTIFIER (*) A https://eprel.ec.europa.eu/

1	Sikkerheds- og miljøanvisninger	4	4	Klargøring	11
1.1.	Generel sikkerhed	4	4.1.	Sådan opnås energibesparelser	11
1.1.1	HC-advarsel	6	4.2.	Førstegangsbrug	11
1.1.2	For modeller med vanddispenser	6	5	Anvendelse af køleskabet	13
1.2.	Tilsluttet anvendelse	6	6	Vedligeholdelse og rengøring	17
1.3.	Beskyttelse af børn	6	6.1.	Forebyggelse dårlig lugt	17
1.4.	Overholdelse af WEEE-direktivet og bortskaffelse af affaldsprodukt	7	6.2.	Beskyttende plastoverflader	17
1.5.	Overholdelse af RoHS-direktivet	7	7	Fejlfinding	18
1.6.	Yderligere oplysninger	7			
2	Køleskab	8			
3	Montering	9			
3.1.	Korrekt monteringssted	9			
3.2.	Montering af plastkiler	9			
3.3.	Justering af benene	10			
3.4.	Strømtilslutning	10			

1 Sikkerheds- og miljøanvisninger

Dette afsnit indeholder de sikkerhedsanvisninger, der er nødvendige for at forebygge risikoen for kvæstelser og materielle skader. Manglende overholdelse af disse anvisninger vil opheve alle typer af produktgarantier.

Tilsigtet brug

	ADVARSEL: Hold ventilationsåbninger i apparatets kabinet eller i den indbyggede struktur fri for forhindringer.
	ADVARSEL: Brug ikke mekanisk udstyr eller andre midler til at fremskynde afrimningen, ud over dem, der er anbefalet af producenten.
	ADVARSEL: Undgå at beskadige kølekredsløbet.
	ADVARSEL: Brug ikke elektriske apparater inden i rummet til opbevaring af fødevarer i apparatet, medmindre de er af en type anbefalet af producenten.
	ADVARSEL: Opbevar ikke eksplosive stoffer, såsom spraydåser med brændbare drivgasser i køleskabet.

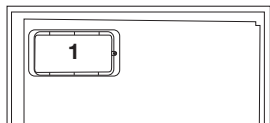
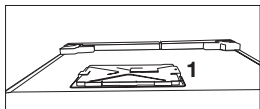
Dette apparat er beregnet til brug i husholdningen og lignende anvendelser såsom

- Personalekøkkenområder i butikker, kontorer og andre arbejdsmiljøer;
- landbrug og hos kunder på hoteller, moteller og andre typer af boligmiljøer;
- bed and breakfast miljøer;
- catering og lignende ikke-detailbutikanvendelser.

1.1. Generel sikkerhed

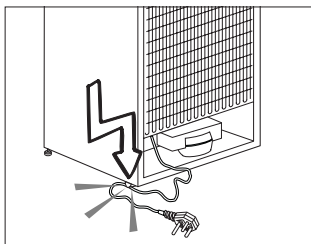
- Dette produkt må ikke anvendes af personer med fysiske, sensoriske og mentale handicap, uden tilstrækkelig viden og erfaring eller af børn. Apparatet må kun benyttes af sådanne personer under tilsyn og vejledning af en person med ansvar for deres sikkerhed. Børn bør ikke have lov til at lege med dette apparat.
- I tilfælde af funktionsfejl skal produktet frakobles.
- Når stikket er trukket ud, skal du vente mindst 5 minutter, før du sætter stikket i igen. Tag ledningen ud af stikkontakten, når produktet ikke er i brug. Rør ikke ved opladeren med våde hænder! Frakobl aldrig stikket ved at trække i kablet. Tag altid fat i stikket.
- Tør stikkets spids med en tør klud, før det sættes i.
- Tilslut ikke i køleskabet, hvis stikkontakten er løs.
- Frakobl produktet under installation, vedligeholdelse, rengøring og reparation.
- Hvis produktet ikke skal bruges i et stykke tid, skal produktet frakobles, og alle fødevarer tages ud af køleskabet.
- Brug ikke damp eller dampede rengøringsmidler til rengøring af køleskabet og/eller smeltning af is i køleskabet. Damp kan komme i kontakt de elektrificerede områder og forårsage kortslutning eller elektrisk stød!
- Produktet må ikke vaskes ved at sprøjte eller hælde vand på det! Fare for elektrisk stød!
- Benyt aldrig produktet, hvis afsnittet øverst eller på bagsiden af dit produkt med elektroniske printkort indeni er åbent (printkort-dæksel) (1).

Sikkerheds- og miljøanvisninger



- I tilfælde af funktionsfejl må du ikke bruge produktet, da det kan forårsage elektrisk stød. Kontakt det autoriserede servicecenter, før du foretager dig noget.
- Sæt netledningen i en stikkontakt med jord. Jording skal udføres af en autoriseret elektriker.
- ADVARSEL: Når du placerer apparatet, så sørg for at forsyningsledningen ikke kommer i klemme eller bliver beskadiget
- ADVARSEL: Placer ikke flere stikdåser eller transportable stik bag apparatet.
- Hvis produktet har LED-belysning, skal du kontakte det autoriserede servicecenter for udskiftning eller i tilfælde af ethvert problem.
- Rør aldrig ved frosne fødevarer med våde hænder! Fødevarerne kan klæbe til dine hænder!
- Anbring ikke væsker i flasker og dåser ind i fryseren. De kan sprænge!
- Anbring væsker i oprejst position efter låget er strammet til.
- Sprøjt ikke brandfarlige stoffer i nærheden af produktet, da det kan brænde eller eksplodere.

- Opbevar ikke brændbare materialer og produkter med brændbar gas (spray osv.) i køleskabet.
- Undlad at anbringe væskeholdige beholdere oven på apparatet. Vandstænk på en strømførende del kan forårsage elektrisk stød og risiko for brand.



- Hvis apparatet udsættes for regn, sne, sol og vind, vil det forårsage elektrisk fare. Hvis du flytter produktet, må du ikke trække ved at holde i dørens håndtag. Håndtaget kan brække af.
- Pas på du ikke får en del af dine hænder eller organer i klemme i nogen af de bevægelige dele inden i produktet.
- Undlad at træde på eller læne dig op ad døren, skuffer og lignende dele af køleskabet. Dette vil medføre, at apparatet vælter og forårsager skade på de dele.
- Pas på du ikke beskadiger strømkablet.

Sikkerheds- og miljøanvisninger

1.1.1 HC-advarsel

Hvis produktet omfatter et kølesystem, der bruger R600a-gas, skal du passe på ikke at beskadige kølesystem og dets rør, mens du bruger og flytter produktet. Denne gas er brandfarlig. Hvis kølesystemet er beskadiget, skal produktet holdes væk fra antændelseskilder og rummet ventileres med det samme.



Etiketten på den indvendige venstre side angiver typen af gas, der anvendes i produktet.

1.1.2 For modeller med vanddispenser

- Tryk i koldtands-indtag skal være maksimum 90 psi (6.2 bar). Hvis vandtrykket overstiger 80 psi (5.5 bar), så anvend en trykbegrænsningsventil i dit hovedsystem. Hvis du ikke ved, hvordan du skal kontrollere dit vandtryk, så spørg en professionel VVS-tekniker om hjælp.
- Hvis der er risiko for vand-hammereffekt i din installation, så brug altid et vandhammerforhindringsudstyr i din installation. Spørg professionelle VVS-teknikere til råds, hvis du ikke er sikker på at der ikke er en vandhammer-effekt i din installation.
- Installer ikke på varmtvands-indtaget. Tag forholdsregler imod risiko for frysning i rørene. Vandtemperaturens drifts-interval skal ligge imellem 33°F

(0.6°C) minimum og 100°F (38°C) maksimum.

- Brug kun postevand.

1.2. Tilsigtet anvendelse

- Dette apparat er konstrueret til privat brug. Det er ikke beregnet til erhvervsmæssig brug.
- Apparatet må kun bruges til at opbevare mad og drikkevarer.
- Der må ikke opbevares følsomme produkter, der kræver kontrolleret temperatur (vacciner, varmfølsom medicin, medicinske forsyninger, osv.) i køleskabet.
- Producenten påtager sig intet ansvar for skader som følge af forkert brug eller forkert håndtering.
- Originale reservedele kan leveres i 10 år efter produktets købsdato.

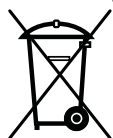
1.3. Beskyttelse af børn

- Opbevar emballagematerialer utilgængeligt for børn.
- Lad ikke børn lege med apparatet.
- Hvis produktets dør inkluderer en lås, skal nøglen opbevares utilgængeligt for børn.

Sikkerheds- og miljøanvisninger

1.4. Overholdelse af WEEE-direktivet og bortskaffelse af affaldsprodukt

Dette produkt er i overensstemmelse med EUs WEEE-direktiv (2012/19/EU). Dette produkt er forsynet med et klassifikationssymbol for affald af elektrisk og elektronisk udstyr (WEEE).



Dette produkt er fremstillet med dele og materialer af høj kvalitet, der kan genbruges, og som er egnet til genbrug.

Bortskaf ikke affaldsproduktet sammen

med normalt husholdnings- og andet affald ved slutningen af dets levetid. Produktet skal returneres til de korrekte centraler til genanvendelse af elektrisk og elektronisk udstyr. Kontakt venligst de lokale myndigheder for at lære om disse affaldscentraler.

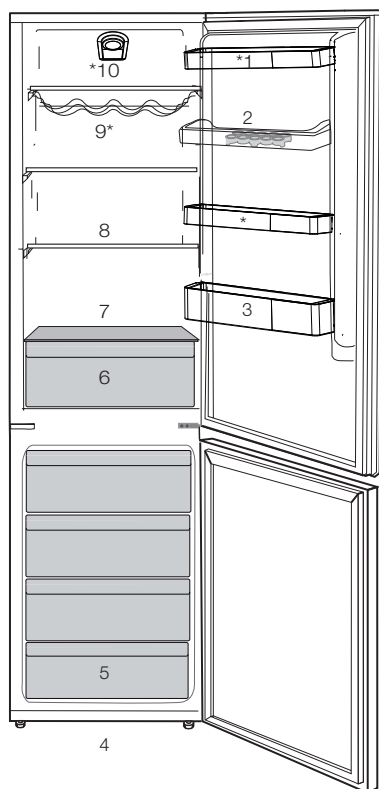
1.5. Overholdelse af RoHS-direktivet

- Dette produkt er i overensstemmelse med EUs WEEE-direktiv (2011/65/EU). Det indeholder ikke skadelige eller forbudte stoffer, der er angivet i direktivet.

1.6. Yderligere oplysninger

- Produktets emballagematerialer er fremstillet af genbrugsmaterialer i overensstemmelse med vores nationale miljøbestemmelser. Bortskaf ikke emballagen sammen med husholdningsaffald eller andet affald. Indlever emballagen på de indsamlingssteder, der udpeges af de lokale myndigheder.

2 Køleskab



1. Lågehylde
2. Æggehylde
3. Flaskehylde
4. Justerbare Ben
5. Fryser
6. Køleafdeling
7. Låg Til Grøntsagsskuffe
8. Justerbare Hylder
9. Vinkælder
10. Termostatknop

***Er måske ikke tilgængelig på alle modeller**



Tallene i denne brugervejledning er skematiske og matcher muligvis ikke præcist dit produkt. Hvis dit produkt ikke omfatter de relevante dele, gælder oplysningerne for andre modeller.

3 Montering

3.1. Korrekt monteringssted

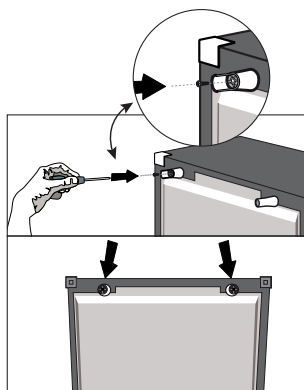
Kontakt det autoriserede servicecenter vedrørende produktets montering. For klargøring af produktet til montering, henvises til oplysningerne i brugervejledningen. Sørg endvidere for de fornødne vand- og strømtilslutninger. Hvis du ikke har de fornødne tilslutninger, skal du kontakte en elektriker og en blikkenslager for at arrangere etablering af de fornødne tilslutninger.

	ADVARSEL: Producenten påtager sig intet ansvar for eventuelle skader forårsaget af arbejde, der udføres af uautoriserede personer.
	ADVARSEL: Produktets strømkabel skal frakoblet under montering. Hvis dette ikke gøres, kan det medføre alvorlige kvæstelser!
	ADVARSEL: Hvis døråbningen er for smal til at produktet kan komme igennem, tag døren af og vend produktet sidelæns; hvis det ikke virker, kontakt den autoriserede service.

3.2. Montering af plastkiler

Brug de medfølgende plastkiler til at give tilstrækkelig plads til luftcirkulation mellem produktet og væggen.

1. For at fastgøre kilerne, skal du fjerne skruerne på produktet og bruge de medfølgende skruer til kilerne.
2. Fastgør to plastkiler på ventilations-skærmen som vist i figuren.

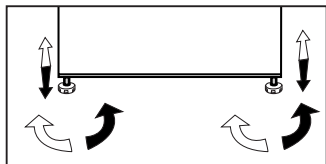


- Anbring produktet på en flad overflade for at undgå rystelser.
- Anbring produktet mindst 30 cm væk fra varmelegemer, komfur og lignende varmekilder og mindst 5 cm væk fra elektriske ovne.
- Udsæt ikke produktet for direkte sollys eller andre varmekilder.
- Produktet kræver tilstrækkelig luftcirkulation for at fungere effektivt.
- Hvis produktet placeres i en niche, husk at der skal være en afstand på 5 cm mellem produktet, væggene og loftet.
- Monter ikke produktet i omgivelser med temperaturer under -5 °C.

Montering

3.3. Justering af benene

Hvis produktet ikke er står lige, skal du justere de forreste justerbare ben ved at dreje dem til højre eller venstre.



3.4. Strømtilslutning

	ADVARSEL: Brug ikke forlænger- eller multistiktil strømtilslutning.
	ADVARSEL: Beskadigede strømkabler skal udskiftes af et autoriseret serviceværksted.
	Hvis du placerer to køleskabe ved siden af hinanden, skal der være mindst 4 cm afstand mellem de to apparater.



Advarsel om varm overflade
Sidevæggen i dit produkt er forsynet med kølerør til forbedring af kølesystemet. Kølevæske med høje temperaturer kan flyde gennem disse områder, og resultere i høje temperaturer på sidevæggene. Dette er normalt og kræver ingen service. Venligst pas på, når du berører disse områder.

- Vores virksomhed vil ikke påtage sig ansvaret for eventuelle skader som følge af brug uden jordforbindelse eller strømtilslutning, som ikke er i overensstemmelse med gældende regler.
- Strømkabelstikket skal være let tilgængeligt efter installationen.
- Tilslut køleskabet til en jordet stikkontakt med 220-240V/50 Hz spænding. Stikket skal omfatte en 10-16A sikring.
- Brug ikke multi-gruppestik med eller uden forlængerledning mellem stikkontakten og køleskabet.

4.1. Sådan opnås energibesparelser



Tilslutning af produktet til elektroniske energibesparende systemer frarådes, da det kan beskadige produktet.

- Køleskabsdørene må ikke holdes åbne i længere perioder.
- Anbring ikke varm mad eller drikke i køleskabet.
- Overfyld ikke køleskabet. Hvis den indvendige luftstrøm blokeres, vil det reducere kølekapacitet.
- Du kan tage de øverste skuffer ud og placere dem på glashylden for at kunne opbevare den maksimale mængde mad i kølerummet i dit køleskab. Dit køleskabs angivne energiforbrug blev fastsat ved at tage køleren, isbakken og de øverste skuffer ud for at få maksimal opbevaringsplads. Det anbefales at bruge skuffen nedenfor. Funktionen til at spare energi skal aktiveres for at få det bedste energiforbrug.
- Du må ikke blokere ventilatoren ved at placere mad foran den. Der skal være mindst 3 cm afstand til ventilatoren når der sættes mad i køleskabet.
- Afhængig af produktets funktioner, vil optøning frosne fødevarer i køleskabet vil sikre energibesparelser og bevare fødevarer kvaliteten.
- Mad skal opbevares i skufferne for at sikre energibesparelse og beskytte mad i bedre tilstande.
- Madpakker må ikke placeres i direkte kontakt med varmesensoren der er i køleskabet. Hvis de rører ved sensoren, kan energiforbruget øges.

- Sørg for at fødevarerne ikke er i kontakt med den køleskabets temperaturføler, der er beskrevet nedenfor.
- Da der ikke vil trænge varm og fugtig luft direkte ind i dit produkt, når dørene ikke åbnes, vil produktet optimere sig selv under forhold, der er tilstrækkelige til at beskytte dine fødevarer. Funktioner og komponenter, som f.eks. kompressor, blæser, varmelegeme, afrimning, lys, display og så videre, vil fungere i overensstemmelse med behovet for at forbruge så lidt strøm som muligt under disse omstændigheder.

4.2. Førstegangsbrug

Før du bruger dit køleskab, skal du sørge for, at de nødvendige forberedelser er udført i overensstemmelse med instruktionerne i afsnittene "Sikkerheds- og miljøanvisninger" og "Montering".

- Hold køleskabet i gang uden mad i 6 timer og luk ikke døren op, med mindre det er absolut nødvendigt.



Der høres en bi lyd, når kompressoren er indstillet. Det er normalt at høre lyde, selv når kompressoren er inaktiv, på grund af de komprimerede væsker og gasser i kølesystemet.



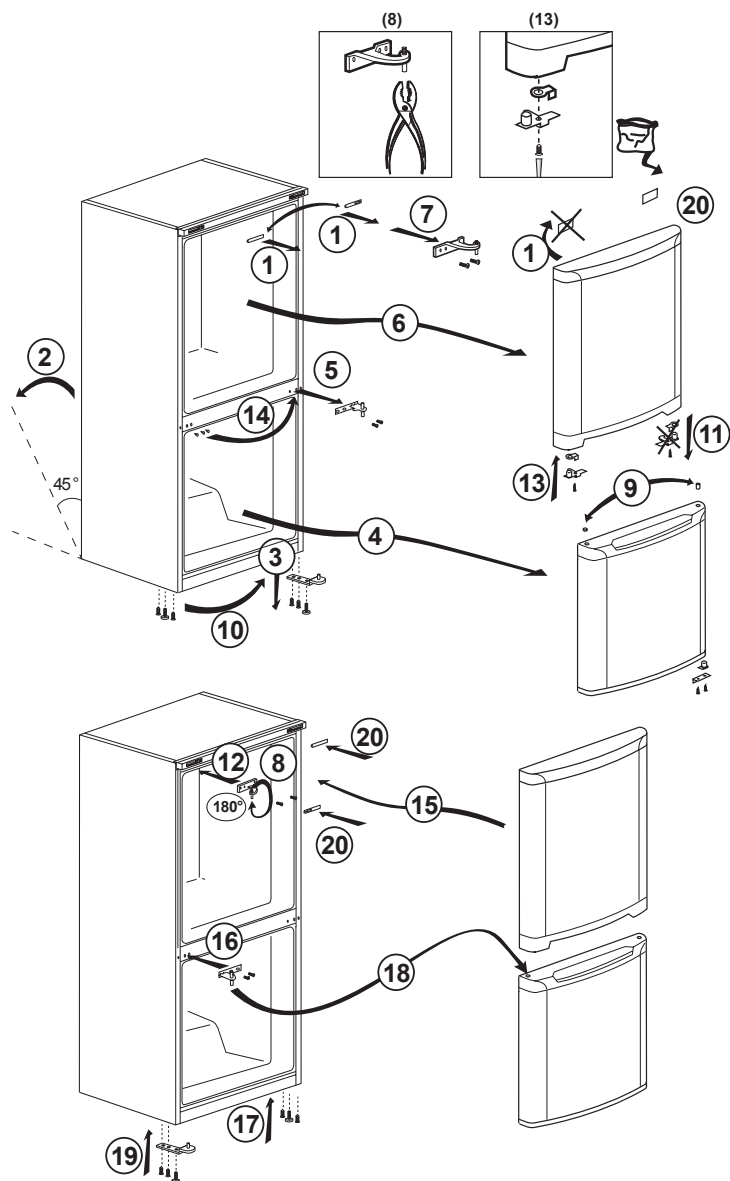
Forkanterne på køleskabet kan blive varme. Dette er helt normalt. Disse områder er udviklet til at varme op for at undgå dannelse af kondens.



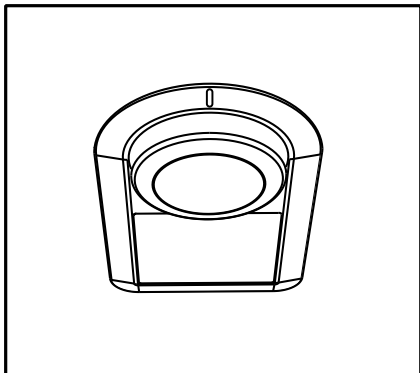
På nogle modeller slukker lyspanelet automatisk 5 minutter efter døren lukkes. Det vil blive genaktiveret når døren åbnes eller hvis der trykkes på en knap.

Vende dørene

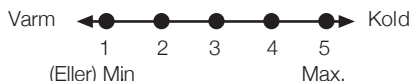
Fortsæt i numerisk rækkefølge



5 Anvendelse af køleskabet



Temperaturen reguleres med termostatknapen.



0 = Kølesystemet er slukket.

1 = Laveste indstilling af køling
(varmeste indstilling).

5 = Højeste indstilling af køling
(koldeste indstilling).

Gennemsnitstemperaturen inde i køleskabet bør være omkring +5 °C

Vælg indstilling efter ønsket temperatur.

Bemærk venligst, at der er forskellige temperaturer i køleområdet.

Det koldeste område er umiddelbart over grøntsagsrummet.

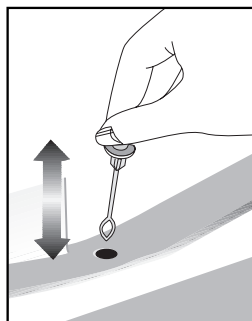
Den indvendige temperatur afhænger også af rumtemperaturen, hvor ofte lågen åbnes, og mængden af madvarer, der opbevares i køleskabet.

Hvis lågen åbnes ofte, får det den indvendige temperatur til at stige.

Det anbefales derfor at lukke lågen så hurtigt som muligt efter brug.

Køleskabets indvendige temperatur kan ændre sig pga. følgende:

- Sæsonbetonede temperaturer,
- Hyppig åbning af lågen, og hvis lågen efterlades åben i længere perioder,
- Mad, der sættes ind i køleskabet, uden at være kølet ned til rumtemperatur,
- Placering af køleskabet i rummet (f.eks. udsættelse for sollys).
- Du kan justere de varierende indvendige temperaturer, der er opstået af disse årsager, ved at bruge termostaten. Tallene rundt om termostatknapen angiver kølegraderne.
- Vand, der opstår som følge af afrimningen, passerer fra vandopsamlingsrenden og flyder ind i fordamperen gennem drænrøret og fordamper af sig selv.



Tallene i denne brugervejledning er skematiske og matcher muligvis ikke præcist dit produkt. Hvis dit produkt ikke omfatter de relevante dele, gælder oplysningerne for andre modeller.

Brug af produktet

Køling

Opbevaring af mad

Køleskabssektionen er beregnet til kortvarig opbevaring af friske mad- og drikkevarer.

Opbevar mælkeprodukter i den tilsigtede sektion i køleskabet.

Flasker kan opbevares i flaskeholderen eller i lågens flaskehylde.

Lad varme mad- og drikkevarer afkøle i rumtemperatur, inden de sættes ind i køleskabet.

- Bemærk

Opbevar ikke ekspositive stoffer eller beholdere med brændbare drivgasser (flødeskum på dåse, spraydåser osv.) i køleskabet. Der er fare for eksplosion.

Placering af maden

Æggebakke	Æg
Hylde til køleskab	Mad i skåle, overdækkede tallerkener og lukkede beholdere
Lågehylde til køleskab	Små og pakkede madvarer eller drinks (f.eks. mælk, frugtjuice og øl)
Grøntsagsskuffe	Frugt og grønt

Afrimning af apparatet

Køleskabet har automatisk afrimning. Dvs. det arbejder i en cyklus, hvor det skiftevis køler, hvor der dannes rim på bagvæggen, og afrimer, hvor der løber vand ned ad bagvæggen. Den rim, der dannes på bagvæggen, tørres af med en blød klud. Ved afrimning kan vandet, som indeholder urenheder, tilstoppe afløbet. Sker det, renses åbningen med en vatpind. Kontrollér fra tid til anden strømmen af optøet vand. Det kan blive tilstoppet en gang imellem.

Brug af produktet

Udskiftning af belysningslampen

For at skifte pæren, der belyser køleskabet, bedes du ringe til den autoriserede service.

Pærene for dette husholdningsapparat er ikke egnet til belysningsformål. Det tiltænkte formål med denne pære er at gøre det muligt for brugeren at placere levnedsmidler i køleskabet/fryseren på en sikker og bekvem måde.

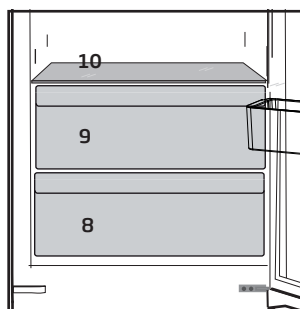
De pærer der anvendes i enheden, skal kunne modstå ekstreme fysiske forhold som eksempelvis temperaturer under -20°C .

Vende dørens åbningsretning

Dørens åbningsretning kan ændres alt afhængigt af, hvor det skal bruges. Hvis det er nødvendigt, skal du kontakte service.

Kurv til mejerivarer (køleopbevaring)

Giver lavere temperatur inde i køleskabet. Brug denne kurv til opbevaring af delikatesser (salami, pølser, mejeriprodukter osv.), som kræver lavere opbevaringstemperatur eller kød, kylling eller fisk til øjeblikkeligt forbrug. Opbevar ikke frugt og grøntsager i dette rum.

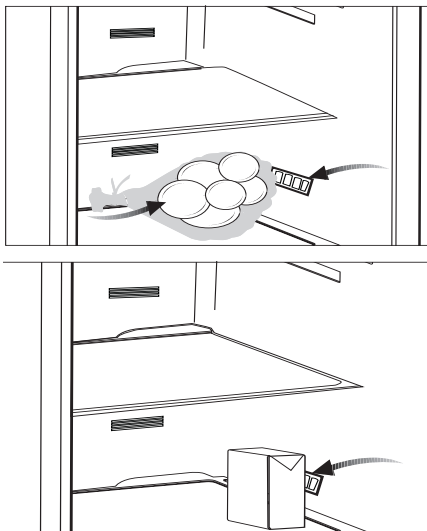


Brug af produktet

Anbefalinger til ferskvare- rummet

*VALGFRI

- Lad ikke nogen fødevarer komme i kontakt med temperaturføleren i ferskvare-rummet. For at opretholde den optimale temperatur i ferskvare-rummet, må føleren ikke blokeres af fødevarer.
- Sæt ikke varm mad ind i dit køle-/fryseskab.



Regelmæssig rengøring af produktet vil forlænge dets levetid.



ADVARSEL: Afbryd strømmen før køleskabet rengøres.

- Brug ikke skarpe og slibende værktøjer, sæbe, rengøringsmaterialer, rengøringsmidler, gas, benzin, lak og lignende stoffer til rengøring.
- For produkter, der ikke er No Frost, forekommer der vanddråber og rimfrost på op til en fingers bredde på kølerummets bagvæg. Rengør det ikke. Brug aldrig olie eller lignende midler på det.
- Brug kun let fugtede mikrofiberklude til at rengøre produktets overflade. Svampe og andre typer rengøringsklude kan give ridser i overfladen.
- Hæld en teskefuld carbonat i vandet. Fugt en klud i vandet og vrid den op. Aftør produktet med denne klud og tør grundigt efter.
- Vær omhyggelig med at holde vandet væk fra lampedækslet og andre elektriske dele.
- Rengør døren med en våd klud. Fjern alle fødevarer indeni for at løsne dør og hylder. Løft dørens hylder op for at tage dem ud. Rengør og tør hylderne og sæt dem på plads ved at skubbe fra oven.
- Brug ikke klorholdigt vand eller rengøringsmidler på produktets udvendige flade og krombelagte dele. Klor vil danne rust på sådanne metaloverflader.

- Brug ikke skarpe eller slibende værktøjer eller sæbe, rengøringsmidler til husholdning, vaskemidler, benzin, benzen, voks osv., ellers vil stempler på plasticdelene forsvinde, og de vil blive deformere. Brug varmt vand og en blød klud til rensning og tørring.

6.1. Forebyggelse dårlig lugt

Produktet er fremstillet uden lugtende materialer. Dog kan opbevaring af fødevarer i upassende sektioner og forkert rengøring af indvendige overflader forårsage dårlig lugt.

For at undgå dette, skal du rengøre indersiden med kulsyreholdigt vand hver 15. dag.

- Opbevar fødevarer i forseglede holdere. Mikroorganismer kan spredes ud af uforseglede fødevarer og forårsage dårlig lugt.
- Opbevare aldrig gamle eller rådne fødevarer i køleskabet.

6.2. Beskyttende plastoverflader

Olie spildt på plastoverflader kan beskadige overfladen og skal omgående rengøres med varmt vand.

7 Fejlfinding

Tjek denne liste, før du kontakter servicecenteret. Dette vil spare dig tid og penge. Denne liste omfatter hyppige problemer, der ikke er relateret til fabrikationsfejl eller materialefejl. Visse funktioner nævnt heri, gælder muligvis ikke for dit produkt.

Køleskabet virker ikke.

- Stikket er ikke sat helt i >>> Sæt det helt ind i stikkontakten.
- Sikringen, der forsyner produktets stikkontakt, eller hovedsikringen er sprunget. <<<>> Kontrollér sikringerne

Kondens på køleskabets sidevæg (MULTIZONE, KØL, KONTROL OG FLEXI-ZONE).

- Døren åbnes for ofte >>> Pas på ikke at åbne produktets dør for ofte.
- Omgivelserne er for fugtige >>> Installer ikke produktet i fugtige miljøer.
- Fødevarer, der indeholder væsker, opbevares i ulukkede holdere. >>> Opbevar fødevarer, der indeholder væsker, i lukkede holdere.
- Døren er åben: >>> Hold ikke produktets dør åben i for lange perioder.
- Termostaten er indstillet til for lav temperatur. >>> Indstil termostaten til en passende temperatur.

Kompressoren virker ikke.

- I tilfælde af pludselige strømsvigt, eller hvis stikket trækkes ud og sættes i igen, kan gastrykket i produktets kølesystem komme ud af balance, hvilket udløser kompressorens termiske sikkerhedsforanstaltning. Produktet genstarter efter cirka 6 minutter. Hvis produktet ikke genstarter efter denne periode, skal du kontakte servicecenteret.
- Afrimning er aktiveret >>> Dette er normalt for et fuldautomatiseret afrimningsprodukt. Afrimningen gennemføres regelmæssigt.
- Produktet er ikke tilsluttet. >>> Sørg for at ledningen er sat i.
- Temperaturindstillingen er forkert. >>> Vælg den relevante temperaturindstilling.
- Strømmen er gået. >>> Produktet vil fortsætte med at fungere som normalt, når strømforsyningen er genoprettet.

Køleskabets driftsstøj stiger mens det er i brug.

- Produktet driftsresultater kan variere afhængigt af temperaturudsving. Dette er normalt og ikke en fejl.

Fejlfinding

Køleskabet kører for ofte eller for længe.

- Det nye produkt kan være større end det foregående. Større produkter vil køre i længere perioder.
- Rumtemperaturen kan være høj. >>> Produktet vil normalt køre i lange perioder ved højere rumtemperatur.
- Produktet kan være tilsluttet for nylig eller en ny fødevarer kan være anbragt i produktet. >>> Produktet vil tage længere tid om at nå den indstillede temperatur, når hvis en ny fødevarer lægges i køleskabet. Dette er normalt.
- Store mængder af varme fødevarer kan være lagt i produktet for nylig. >>> Anbring ikke varme fødevarer i produktet.
- Dørene blev åbnet ofte eller holdt åbne i lange perioder. >>> Den varme luft, der bevæger sig indeni, vil få produktet til at køre længere. Åbn ikke dørene for ofte.
- Fryser- eller køleskabsdørene er muligvis ikke lukket helt. >>> Kontrollér, om dørene er lukket helt.
- Produktet kan være indstillet til en for lav temperatur. >>> Indstil temperaturen til en højere grad og vent på, at produktet når den indstillede temperatur.
- Køleskabs- eller fryserdørens pakning kan være beskidt, slidt, defekt eller justeret forkert. >>> Rens eller udskift pakningen. En beskadiget/revne pakning vil få produktet til at køre i længere perioder for at bevare den aktuelle temperatur.

Frysertemperaturen er meget lav, men køletemperaturen er passende.

- Temperaturen i fryseren er indstillet til en meget lav grad. >>> Indstil temperaturen i fryseren til en højere grad, og tjek igen.

Køleskabets temperatur er meget lav, men fryserens temperatur er passende.

- Køleskabets temperatur er indstillet til en meget lav grad. >>> Indstil køleskabets temperatur til en højere grad, og tjek igen.

De fødevarer, der opbevares holdes i køleskabets skuffer er frosne.

- Køleskabets temperatur er indstillet til en meget lav grad. >>> Indstil temperaturen i fryseren til en højere grad, og tjek igen.

Temperaturen i køleskabet og fryseren er for høj.

- Køleskabets temperatur er indstillet til en meget høj grad. >>> Køleskabets temperatur påvirker temperaturen i fryseren. Regulér temperaturen i køleskabet eller fryseren og vent, indtil de relevante rum nå det indstillede temperaturniveau.
- Dørene blev åbnet ofte eller holdt åbne i lange perioder. >>> Dørene må ikke åbnes for ofte.
- Døren er muligvis ikke lukket helt. >>> Luk døren helt.
- Produktet kan være tilsluttet for nylig eller en ny fødevarer lagt i køleskabet. >>> Dette er normalt. Produktet vil tage længere tid om at nå den indstillede temperatur, hvis det er tilsluttet for nylig, eller hver der laget nye fødevarer i det.
- Store mængder af varme fødevarer kan være lagt i produktet for nylig. >>> Anbring ikke varme fødevarer i produktet.

Fejlfinding

Rysten eller støj.

- Underlaget er ikke plant eller holdbart. >>> Hvis produktet ryster når det flyttes langsomt, skal benene justeres for at balancere produktet. Sørg også for, at underlaget er tilstrækkelig stærkt til at bære produktet.
- Eventuelle genstande, der sættes på produktet, kan forårsage støj. >>> Fjern eventuelle genstande, der er placeret på produktet.

Produktet afgiver lyde af væske, der flyder, sprøjter osv.

- Produktets driftsprincipper indebærer væske- og gasstrømme. >>> Dette er normalt og ikke en fejl.

Der kommer en vindlyd fra produktet.

- Produktet bruger en blæser til køleprocessen. Dette er normalt og ikke en fejl.

Der er kondens på produktets indvendige vægge.

- Varmt eller fugtigt vejr vil øge isdannelse og kondens. Dette er normalt og ikke en fejl.
- Dørene blev åbnet ofte eller holdt åbne i lange perioder. >>> Dørene må ikke åbnes for ofte, og hvis dørene er åbne, skal de lukkes.
- Døren kan være åben. >>> Luk døren helt.

Der er kondens på produktets yderside eller mellem dørene.

- Vejrforholdene kan være fugtige, og denne tilstand er helt normalt i fugtigt vejr. >>> Kondensen forsvinder, når luftfugtigheden falder

Produktet lugter dårligt indvendigt.

- Produktet er ikke rengjort regelmæssigt. >>> Rengør indvendigt regelmæssigt med svamp, varmt vand og kulsyreholdigt vand.
- Visse holdere og emballager kan forårsage lugt. >>> Brug holdere og emballage, der er fri for lugt.
- Fødevarerne blev anbragt i ulukkede beholdere. >>> Opbevar fødevarer i forseglede beholdere. Mikroorganismer kan spredes ud af uforsegledede fødevarer og forårsage dårlig lugt.
- Fjern eventuelle udløbne eller rådne fødevarer fra produktet.

Døren lukker ikke

- Fødevepakker kan blokere døren. >>> Flyt eventuelle produkter, der blokerer dørene.
- Produktet står ikke helt lige position på gulvet. >>> Juster benene for at balancere produktet.
- Gulvet er ikke plant eller robust. >>> Sørg underlaget er plant og tilstrækkelig robust til at bære produktet.

Hvis Produktets Overflade Er Varm

- Der kan opleves varme temperaturer mellem de to løber, på sidepanelerne og ved risten bagtil, når produktet er i brug. Dette er normalt og kræver ikke vedligeholdelse af servicepersonale. Vær forsigtig, når du rører ved disse områder.



ADVARSEL: Hvis problemet fortsætter, efter du har fulgt anvisningerne i dette afsnit, skal du kontakte din forhandler eller et autoriseret servicecenter. Forsøg ikke at skille produktet ad.

ANSVARSRASKRIVELSE / ADVARSEL

Nogle (enkle) fejl kan i tilstrækkelig grad håndteres af slutbrugeren uden sikkerhedsproblemer eller usikker anvendelse, forudsat at de udføres inden for grænserne og i overensstemmelse med følgende instruktioner (se afsnittet "Selvreparation").

Derfor medmindre andet er tilladt i afsnittet "Selvreparation" nedenfor, skal reparationer rettes til registrerede professionelle reparatører for at undgå sikkerhedsproblemer. En registreret professionel reparatør er en professionel reparatør, som producenten har givet adgang til listen over instruktioner og reservedele til dette produkt i henhold til metoderne beskrevet i lovgivningsmæssige retsakter i henhold til direktiv 2009/125/EF.

Imidlertid er det kun serviceagenten (dvs. autoriserede professionelle reparatører), som du kan nå gennem det telefonnummer, der er angivet i brugervejledningen/garantikortet eller gennem din autoriserede forhandler, der kan levere service under garantibetingelserne. Vær derfor opmærksom på, at reparationer udført af professionelle reparatører (som ikke er godkendt af Beko) annullerer garantien.

Selvreparation

Selvreparation kan udføres af slutbrugeren med hensyn til følgende reservedele: dørhåndtag, dørhængsler, bakker, kurve og dørpakninger (en opdateret liste er også tilgængelig på support.beko.com pr. 1. marts 2021).

For at sikre produktsikkerhed og for at forhindre risiko for alvorlig personskade skal den nævnte selvreparation desuden udføres efter instruktionerne i brugervejledningen til selvreparation, eller som findes på support.beko.com. For din sikkerhed skal du trække stikket ud af produktet, inden du prøver selvreparation.

Slutbrugeres reparations- og reparationsforsøg på dele, der ikke er med på en sådan liste og/eller ikke følger instruktionerne i brugervejledningerne til selvreparation, eller som findes på support.beko.com kan give anledning til sikkerhedsproblemer, der ikke kan henføres til Beko og annullerer produktets garanti.

Derfor anbefales det stærkt, at slutbrugere afstår fra forsøget på at udføre reparationer, der falder uden for den nævnte liste over reservedele, og i sådanne tilfælde kontakter autoriserede professionelle reparatører eller registrerede professionelle reparatører. Tværtimod kan sådanne forsøg fra slutbrugere medføre sikkerhedsproblemer og beskadige produktet og derefter forårsage brand, oversvømmelse, elektrisk stød og alvorlig personskade.

Som eksempel, men ikke begrænset til, skal følgende reparationer udføres ved henvendelse til rettes til autoriserede, professionelle reparatører eller registrerede professionelle reparatører: kompressor, kølekredsløb, hovedkort, inverterkort, displaykort osv.

Producenten/sælgeren kan ikke holdes ansvarlig i tilfælde, hvor slutbrugerne ikke overholder ovenstående .

Reservedeles tilgængelighed for den køleskabet, du har købt, er 10 år. I denne periode vil originale reservedele være tilgængelige for at betjene køleskabet korrekt.

Garantiens minimumsvarighed for køleskabet, som du har købt, er 24 måneder.

Dette produkt er forsynet med en lyskilde i energiklasse "G".

Lyskilden i dette produkt må kun udskiftes af professionelle reparatører.

Läs den här bruksanvisningen först!

Kära kund!

Vi hoppas att produkten, som har tillverkats på en modern anläggning och genomgått de allra noggrannaste kvalitetsprocesser, kommer att erbjuda effektiv service.





Vi rekommenderar därför att du läser igenom hela bruksanvisningen noggrant innan du använder den och att du förvarar den nära till hands för framtida referens.



Den här bruksanvisningen

- Hjälper dig använda enheten på ett snabbt och säkert sätt.
 - Läs bruksanvisningen innan du installerar och använder produkten.
 - Följ instruktionerna, speciellt säkerhetsanvisningarna.
 - Förvara bruksanvisningen på en lättåtkomlig plats där du kan hämta den senare.
 - Läs även övriga dokument som tillhandahålls tillsammans med produkten.
- Observera att den här bruksanvisningen även kan gälla för andra modeller.

Symboler och beskrivningar för dem

Den här bruksanvisningen innehåller följande symboler:

-  Viktig information eller användbara tips.
-  Varning för risker för liv och egendom.
-  Varning för elektrisk spänning.
-  Varning: Brandfara / lättantändliga materia

i INFORMATION	
 SUPPLIER'S NAME A	 MODEL IDENTIFIER (*) A
Modellinformationen, som är lagrad i produkt databasen, kan nås från webbsidan och genom att söka för modellidentifikationen (*), som finns i energimärkningen.	
https://eprel.ec.europa.eu/	

1. Säkerhets- och miljöanvisningar	3	4 Förberedelser	10
1.1. Avsedd användning	3	4.1. Energibesparande åtgärder	10
1.1.1 HC-varning	4	4.2. Första användning	10
1.1.2 För modeller med vattenbehållare	5	5 Använda kylskåpet	12
1.2. Avsedd användning	5	6 Underhåll och rengöring	16
1.3. Barnsäkerhet	5	6.1. Förhindra obehagliga dofter	16
1.4. I enlighet med WEEE-direktivet och avyttring av avfallsprodukter	5	6.2. Skydda plastytor	16
1.5. I enlighet med RoHS-direktivet	6	7 Felsökning	17
1.6. Paketeringsinformation	6		
2 Kyl	7		
3 Installation	8		
3.1. Rätt plats för installation	8		
3.2. Fästa plastklämmorna	8		
3.3. Justera fötterna	9		
3.4. Elanslutning	9		

1 Säkerhets- och miljöanvisningar

Det här avsnittet innehåller säkerhetsanvisningar som krävs för att förebygga risken för person- och materialskador. Underlåtenhet att följa dessa anvisningar upphäver alla garanti- och tillförlitlighetsåtaganden.

1.1. Avsedd användning

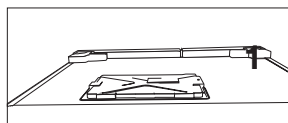
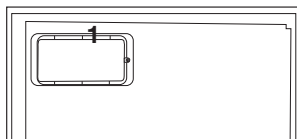
	VARNING: Håll ventilationsöppningar i apparatens hölje eller i den inbyggda strukturen fritt från hinder.
	VARNING: Använd inte mekaniska anordningar eller andra medel för att påskynda avfrostningsprocessen, annat än de som rekommenderas av tillverkaren.
	VARNING: Skada inte kylmedelskretsen.
	VARNING: Använd inte elektriska apparater inuti matvaruförvaringsutrymmena i apparaten, såvida de inte är av den typ som rekommenderas av tillverkaren.

Denna apparat är avsedd att användas i hushåll och liknande användning såsom

- personalkök i butiker, kontor och andra arbetsmiljöer;
- Bondgårdar och av kunder på hotell, motell och andra bostadsmiljöer;
- Bed and breakfast-miljöer;
- Catering och liknande icke-detaljhandelsanvändning.

Allmän säkerhet

- Den här produkten är inte avsedd att användas av personer med nedsatt fysisk, psykisk eller mental förmåga, av oerfarna personer eller av barn. Enheten får bara användas av sådana personer om de övervakas av en person som ger dem instruktioner och ansvarar för deras säkerhet. Tillåt inte att barn leker med denna enhet.
- Vid felfunktion, koppla ur strömkällan.
- Efter att ha kopplat ur, vänta minst fem minuter innan du återansluter.
- Koppla ur produkten när den inte används.
- Rör inte stickkontakten med våta händer! Drag inte i kabeln, drag alltid i stickkontakten.
- Anslut inte kylskåpet till ett eluttag som sitter löst.
- Koppla ur produkten före installation, underhåll, rengöring och reparation.
- Koppla ur produkten om den inte används under en längre tid och plocka ut eventuell mat.
- Använd aldrig produkten när locket till kylskåpets "elskåp" (1) ovanpå eller bakom produkten, är öppet.

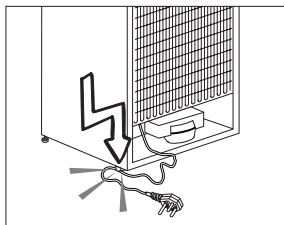


Säkerhets- och miljöinstruktioner

- Använd inte lättflyktiga material vid rengöring eller avfrostning av kylskåpet. Ånga kan komma i kontakt med elektriska delar och orsaka kortslutning eller elektriska stötar!
- Rengör inte produkten genom att spreja eller hälla vatten på den! Risk för elektriska stötar!
- Vid felfunktion ska produkten inte användas eftersom det finns risk för elektriska stötar. Kontakta auktoriserad service innan du gör något.
- **WARNING!** Kontrollera när apparaten placeras, att strömkabeln inte fastnar eller skadas.
- **WARNING!** Placera inte flera grenuttag eller bärbara elapparater bakom apparaten.
- Anslut produkten till ett jordat uttag. Jordning måste utföras av en behörig elektriker.
- Om produkten har LED-belysning som behöver bytas, kontakta auktoriserad service. Gör likadant vid eventuella problem.
- Rör inte vid fryst mat med händerna! Den kan fastna på dina händer!
- Placera inte vätskefyllda flaskor och burkar i frysacket. De kan explodera!
- Placera drycker ordentligt stängda i upprätt position.
- Spreja inte lättantändliga material nära produkten, det kan orsaka brand eller explosion.
- Förvara inte lättantändliga delar eller produkter med lättantändlig gas (som sprayer osv) i kylskåpet.
- Placera inte vätskefyllda behållare ovanpå produkten. Stänkande vatten på en strömförande del kan orsaka elektriska stötar och risk för brand.
- Det är farligt att utsätta produkten för regn, snö, sol och vind med tanke på elsäkerheten. Förflytta inte produkten genom att dra i handtaget. Det kan lossna.
- Var försiktig så att inte någon del av dina händer eller kropp fastnar i någon av de rörliga delarna inuti produkten.
- Du får inte kliva på eller luta dig mot dörren, lådorna eller andra delar av kylskåpet. Det skulle få produkten att tippa och orsaka skador på delarna.
- Se till att inte klämma strömkabeln.

1.1.1 HC-varning

Om produkten är utrustad med ett kylsystem som innehåller R600a-gas, var försiktig så att du inte skadar kylsystemet och dess rör medan du använder och förflyttar produkten. Gasen är lättantändlig. Om kylsystemet är skadat ska produkten hållas borta från potentiella eldkällor och rummet omedelbart ventileras



Säkerhets- och miljöinstruktioner



Typskylten som är placerad på insidan till vänster indikerar vilken gas som används i produkten.

1.1.2 För modeller med vattenbehållare

- Trycket titt ingående vatten ska vara minst 90 psi (6.2 bar). Om vattentrycket överstiger 80 psi (5.5 bar), använd en tryckbegränsande ventil i ditt huvudsysteem. Om du inte vet hur du kontrollerar trycket ska du fråga en yrkesrörmokare.
- Om det finns en risk för att vattenhammaren påverkas i din installation, använd alltid en vattenhammarförhindrande utrustning i din installation. Konsultera en yrkesrörmokare om du inte är säker på om vattnet påverkar din installation.
- Installera inte på varmvattenintaget. Vidtag åtgärder mot frysrisker i slangarna. Vattentemperaturens driftsintervall ska vara minst 33°F (0,6°C) och mest 100°F (38°C).
- Använd endast dricksvatten.

1.2. Avsedd användning

- Denna produkt är utformad för hemmabruk. Den är inte avsedd för kommersiellt bruk.
- Produkten ska enbart användas för att lagra mat och dryck.
- Förvara inte produkter som behöver en exakt temperaturkontroll (vaccin, värmekänslig medicin, medicinska förnödenheter osv) i kylskåpet.
- Tillverkaren ansvarar inte för eventuella skador på grund

av felaktig användning eller felhantering.

- Originalreservdelar kommer att tillhandahållas i 10 år efter produktens inköpsdatum.

1.3. Barnsäkerhet

- Förpackningsmaterial är farliga för barn och ska därför förvaras utom deras räckhåll.
- Tillåt inte att barn leker med produkten.
- Om produktens dörr har ett lås ska nyckeln vara utom räckhåll för barn.

1.4. I enlighet med WEEE-direktivet och avyttring av avfallsprodukter

Den här produkten är i enlighet med EUs WEEE-direktiv (2012/19/EU). Den här produkten har en klassifikationssymbol som elektroniskt avfall och elektronisk utrustning (WEEE).



Den här produkten har tillverkats med högkvalitativa delar och material som kan återanvändas och är passande för återvinning. Avyttra inte den uttjänta produkten i det normala hushållsavfallet eller annat avfall vid slutet av dess tjänstliv. Ta den till en återvinningsstation för återvinning av elektrisk- och elektronisk utrustning. Vänligen rådgör med ditt kommunalkontor för att få mer information om dessa återvinningsstationer.

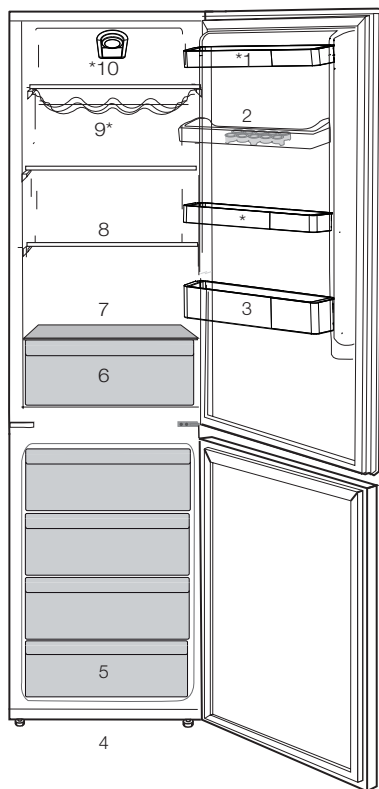
Säkerhets- och miljöinstruktioner

1.5. I enlighet med RoHS-direktivet

Den här produkten är i enlighet med EUs WEEE-direktiv (2011/65/EU). Den innehåller inte skadliga och förbjudna material som anges i direktivet.

1.6. Paketeringsinformation

Paketeringsmaterialet för produkten är tillverkat av återvunnet material i enlighet med nationella miljöbestämmelser. Avyttra inte paketeringsmaterial tillsammans med hushållsavfall eller annat avfall. Ta det till en återvinningsstation för paketeringsmaterial såsom angivits av de lokala myndigheterna.



- | | |
|-------------------|---------------------------|
| 1. Dörrhylla | 7. Lock Till Grönsakslåda |
| 2. Ägghållare | 8. Justerbara Hyllor |
| 3. Flaskställ | 9. Vinkällare |
| 4. Justerbara Ben | 10. Termostattratt |
| 5. Frysack | |
| 6. Kylfack | |




***Finns kanske inte tillgänglig i alla modeller**



Bilderna i den här användarguiden är schematiska och kanske inte exakt efterliknar din produkt. Om din produkt inte innehåller de relevanta delarna, kommer informationen att gälla andra modeller.

3.1. Rätt plats för installation

Kontakta auktoriserad service när produkten ska installeras. Se informationen i bruksanvisningen för att förbereda produkten för installation och säkerställ att el- och vattenverk är i enlighet med kraven. Om inte, låt en elektriker och en rörmokare vidta nödvändiga åtgärder för att dessa krav ska uppfyllas.

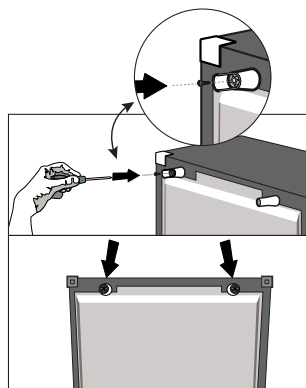
	VARNING: Tillverkaren tar inget ansvar för skador som orsakas av arbete som utförs av obehöriga.
	VARNING: Produktens strömkabel måste vara urkopplad under installation. Att försumma denna varning kan resultera i allvarliga skador eller dödsfall!
	VARNING: Om dörröppningen är för smal för att produkten ska kunna passera, prova att ta bort dörren och vrida produkten i sidled. Om inte det fungerar, ring auktoriserad service.

- Placera produkten på en plan yta för att undvika vibrationer.
- Placera produkten minst 30 cm från värmeelement, spis och liknande värmekällor samt minst fem cm från elektriska ugnar.
- Exponera inte produkten för direkt solljus eller fuktig miljö.
- Produkten kräver god ventilation för att fungera effektivt.
- Om produkten placeras i en alkov måste det finnas minst 5 cm avstånd mellan produkten och tak och väggar.
- Installera inte produkten i miljöer med temperaturer under -5°C.

3.2. Fästa plastklämmorna

Använd plastkilarna som medföljer produkten, för att ge tillräckligt med utrymme för luftcirkulation mellan produkten och väggen.

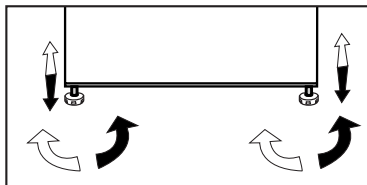
1. För att fästa klämmorna, ta bort skruvarna på produkten och använd de skruvar som medföljer klämmorna.
2. Fäst två plastklämmor på ventilationskyddet enligt bilden.



Installation

3.3. Justera fötterna

Om produkten är obalanserad, justera de främre justerbara fötterna genom att vrida dem till höger eller vänster.



Varning för het yta
Sidoväggarna i din produkt är utrustad med kylmedelsrör för att förbättra kylsystemet. Kylmedel med höga temperaturer kan strömma genom dessa områden vilket resulterar i heta ytor på sidoväggarna. Detta är normalt och behöver inte lagas. Var uppmärksam när du rör dessa områden.

3.4. Elanslutning

	WARNING: Använd inte förlängningsladdar eller grenuttag till elanslutningen.
	WARNING: Skadade kablar måste bytas ut av auktoriserad service.
	När du placerar två kylare nära varandra ska det vara minst fyra cm mellan de två enheterna.

- Vårt företag tar inte ansvar för eventuella skador på grund av användning utan jordning eller elanslutning som inte är i enlighet med nationella regler.
- Strömkabelns kontakt måste vara lätt att komma åt efter installationen.
- Anslut kylskåpet till ett jordat uttag med 220-240 V / 50 Hz spänning. Kontakten måste innefatta en 10-16A säkring.
- Förlängningskablar och grenkontakter får inte användas för anslutningen.

4.1. Energibesparande åtgärder



Att ansluta produkten till elektroniska energisparssystem är skadligt och kan skada produkten.

- Låt inte kylskåpets dörrar stå öppna långa stunder.
- Placera inte varm mat eller dryck i kylskåpet.
- Lasta inte kylskåpet proppfullt. Att blockera det invändiga luftflödet minskar kyleffekten.
- För att kunna förvara maximal mängd mat i kylskåpets kylfack måste de övre lådorna tas bort och i stället placeras på glasstället. Kylskåpets deklarerade energiförbrukning bestämdes genom att ta ut kylaren, islådan och de övre lådorna på ett sätt som möjliggjorde maximal lagringskapacitet. Det rekommenderas att använda den nedre lådan vid förvaring. Aktivera energisparfunktionen för lägsta möjliga energiförbrukning.
- Placera inte mat framför kylarfläkten, det blockerar luftflödet. När du placerar mat måste du komma ihåg att det ska finnas minst 3 cm fritt utrymme framför fläktskyddsgallret.
- Beroende på produktens egenskaper garanterar upptining av fryst mat i kylfacket energibesparingar och bevarar livsmedelskvalitet.
- Mat ska lagras i kylfackens lådor för att garantera energibesparing och mer skyddande förhållanden.
- Matförpackningar får inte komma i direktkontakt med värmesensorn i kylfacket. Om de kommer i kontakt med värmesensorn kan produktens energiförbrukning bli högre.
- Kontrollera att matvarorna inte är i kontakt med kylfackets temperatursensor enligt nedan.

4.2. Första användning

Innan du använder kylskåpet ska du se till att nödvändiga förberedelser vidtas i enlighet med instruktionerna i avsnitten "Säkerhets- och miljöanvisningar" och "Installation".

- Håll produkten i drift utan mat i den, i 6 timmar och öppna inte dörren, om det inte är absolut nödvändigt.



Ett ljud kommer att höras när kompressorn startas. Det är normalt att höra ljud även när kompressorn är inaktiv på grund av komprimerade vätskor och gaser i kylsystemet.



Produktens framkanter kan bli varma. Detta är normalt. För att förhindra kondensation är dessa områden konstruerade att värmas upp.

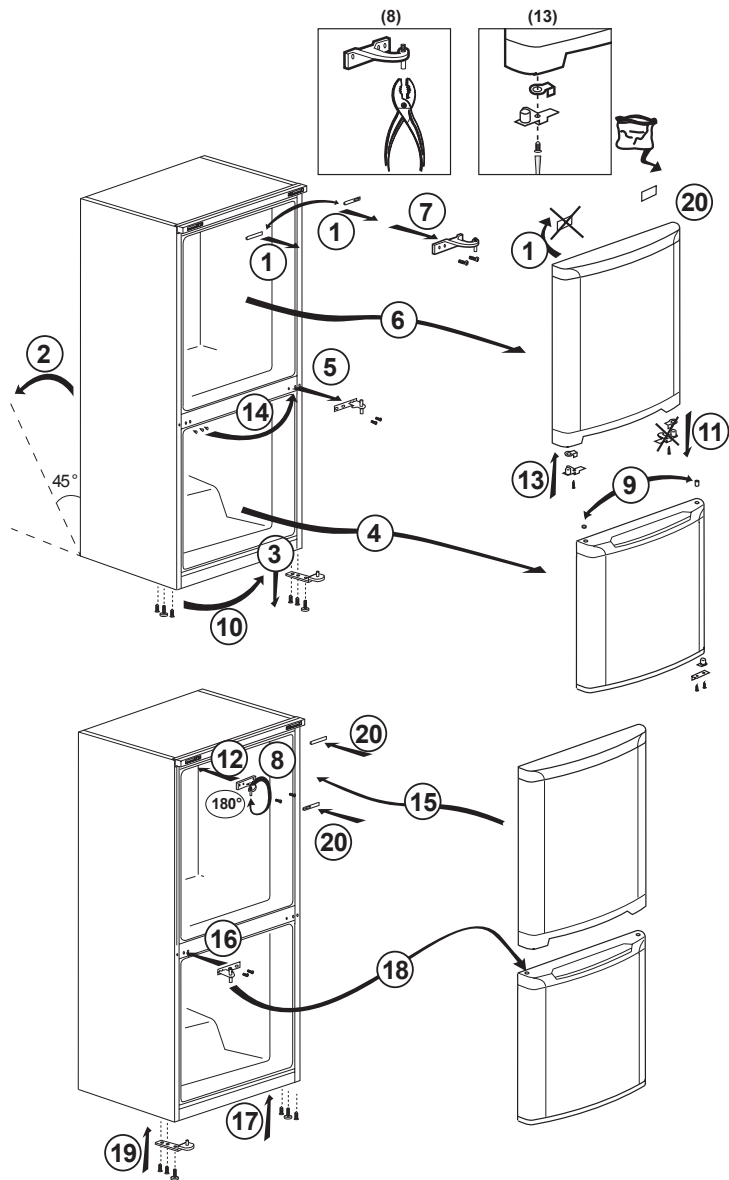


I vissa modeller stängs indikatorpanelen av automatiskt 5 minuter efter att dörren stängts. Den återaktiveras när dörren öppnas eller någon knapp trycks in.

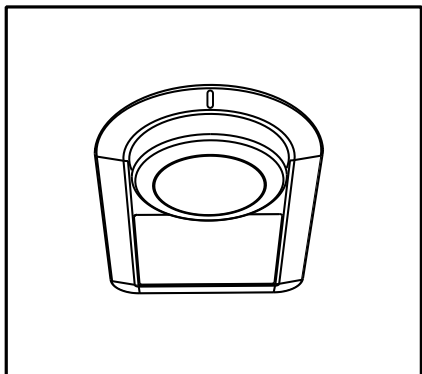
- Eftersom varm och fuktig luft inte direkt kommer att tränga in i din produkt när dörrarna inte är öppna, kommer din produkt att optimera sig själv under förhållanden som är tillräckliga för att skydda din mat. Funktioner och komponenter som kompressor, fläkt, värmare, avfrostning, belysning, display och så vidare fungerar enligt behovet för att konsumera minsta möjliga energi under dessa omständigheter.

Omhängning av dörrar

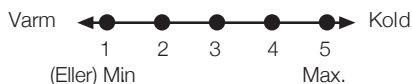
Gå tillväga i nummerordning



5 Använda kylskåpet



Drifttemperaturen regleras med temperaturkontrollen.



- 0 = Systemkyllning avstängd.**
- 1 = Nedersta kylinställningen**
(varmaste inställningen)
- 5 = Högsta kylinställning**
(kallaste inställningen).

Medeltemperaturen inuti kylskåpet bör ligga runt +5°C

Välj inställning enligt önskad temperatur.

Observera att det förekommer olika temperaturer i kylområdet.

Det kallaste området är placerat precis ovanför grönsakshyllan.

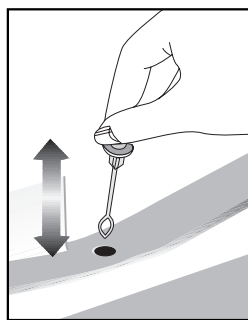
Den invändiga temperaturen beror också på den omgivande temperaturen, hur ofta dörren öppnas och hur mycket mat som förvaras i kylskåpet.

Frekvent öppnande av dörren gör att den invändiga temperaturen stiger.

Av denna anledning bör man stänga dörren så fort som möjligt efter användning.

Kylskåpets invändiga temperatur ändras när följande händer;

- Säsongsvariationer i temperatur,
- Om dörren ofta öppnas och den lämnas öppen under längre perioder,
- Mat som placeras i kylskåpet utan att kylas ned till rumstemperatur,
- Placeringen av kylskåpet i i rummet där (det., utsätts för solljus).
- Du kan justera den invändiga temperaturen efter detta med hjälp av termostaten. Nummer runt termostatknappen indikerar köldgrader.
- Vatten till följd av avfrostningsprocessen passerar genom vattenbehållarskåran och överförs till avdunstningsapparaten genom dräneringsröret för att förångas där.



Bilderna i den här användarguiden är schematiska och kanske inte exakt efterliknar din produkt. Om din produkt inte innehåller de relevanta delarna, kommer informationen att gälla andra modeller.

Använda produkten

Kylning

Matförvaring

Kylen är till för kortvarig förvaring av färsk mat och dryck.

Förvara mejeriprodukter i avsett fack i kyl/frys.

Flaskor kan förvaras i flaskhållaren eller på flaskyllan i dörren.

Låt varma drycker och mat svalna till rumstemperatur innan du lägger in dem i kyl/frys.

- Observera

Förvara inte explosiva ämnen eller behållare med lättantändliga drivmedel (gräddespray i sprayform, sprayburkar etc.) i enheten. Detta kan orsaka explosion.

Placering av mat

Avfrostning av enheten

Kylen avfrostas automatiskt. Avfrostningsvattnet rinner till dräneringsröret via en uppsamlingsbehållare på enhetens baksida. Under avfrostning formas droppar på baksidan av frysen p.g.a. avdunstningsapparaten. Om inte alla droppar rinner ner, kan de frysa på nytt efter avfrostning. Avlägsna dessa med en varm, fuktig trasa, men aldrig med ett hårt eller vasst föremål. Kontrollera flödet med tinat vatten då och då. Det kan ibland täppas till.

Äggbehållare	Ägg
Kylhyllor	Mat i grytor, tallrikar, stängda behållare
Dörrhyllor för kylfack	Små produkter och förpackad mat eller drycker (såsom mjölk, fruktjuice och öl)
Grönsakslåda	Grönsaker och frukt

Använda produkten

Ändra dörröppningsriktning

Dörröppningsriktningen på kylskåpet kan ändras beroende på den plats där du använder den. Om detta är nödvändigt ska du kontakta närmaste auktoriserade service.

Byta lampan

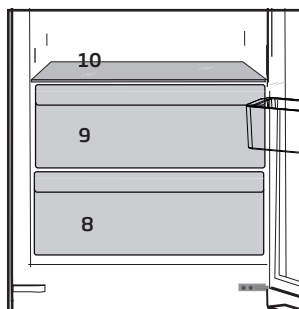
Ring auktoriserad service när du vill byta lampa.

Lamporna som används i utrustningen är inte anpassade som rumsbelysning. Det avsedda ändamålet för lamporna är att hjälpa användaren placera mat i kylskåpet/frysaren på ett säkert och bekvämt sätt.

Lamporna i apparaten måste kunna tåla extrema fysiska förhållanden såsom temperaturer under -20°C .

“Mjölksprodukt (kallförvaring) facket”

Ger lägre temperatur inuti kylskåpsfacket. Använd detta fack till att förvara delikatesser (salami, korv, mjölkprodukter osv.), som kräver lägre förvaringstemperatur eller kött-, kycklings- eller fiskprodukter för omedelbar konsumtion. Förvara inte frukt och grönsaker i detta fack.

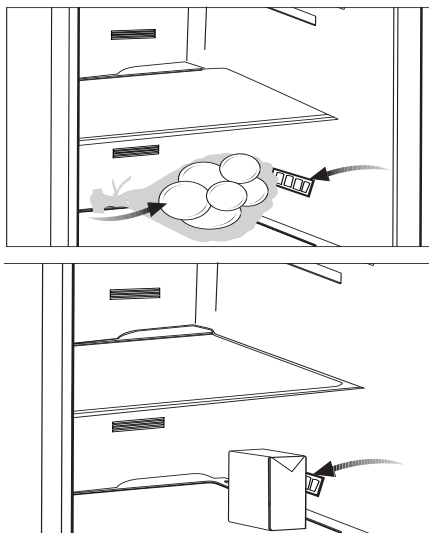


Använda produkten

Rekommendationer för förvaring av färskvaror

*TILLBEHÖR

- Låt ingen mat komma i kontakt med temperatursensorn i facket för färskvaror. För att hålla optimal förvaringstemperatur i facket för färskvaror får inte sensorn blockeras av livsmedel.
- Placera inte varm mat i enheten.



Att rengöra produkten regelbundet kommer förlänga dess tjänsteliv.



WARNING: Koppla bort strömmen innan du rengör kylan.

- Använd inte skarpa, skrapande verktyg, tvålar, rengöringsmedel, rengöringsämnen, gaser, bensen, lack och liknande ämnen för rengöring.
- För icke-No Frost-produkter kan vattendroppar och frost upp till en fingerbredd högt förekomma på den bakre väggen av kylutrymmet. Rengör den inte; använd aldrig olja eller liknande medel på den.
- Använd endast lätt fuktad mikrofibertrasa för att rengöra produktens yta. Svampar och andra typer av rengöringsprodukter kan repa produktens yta.
- Smält ner en tesked karbonat i vattnet. Fukta en trasa i vattnet och vrid ur. Torka rent enheten med den här trasan och torka av ordentligt.
- Var noga med att hålla undan vatten ifrån lampocket och över de elektriska delarna.
- Rengör dörren med hjälp av en blöt trasa. Ta bort alla saker inuti och ta bort dörren och de isatta hyllorna. Lyft upp dörrhyllorna för att ta bort dem. Rengör och torka hyllorna, fäst dem sedan igen genom att låta dem glida på, ovanifrån.
- Använd inte klorerat vatten eller rengöringsprodukter på de externa utorna och krombeklädda delarna av produkten. Klorin kommer att orsaka rost på sådana ytor.

- Använd inte vassa och skrapande verktyg, eller tvål, rengöringsmedel för hemmabruk, rengöringsmedel, bensen, bensen, vax eller liknande, klistermärkena på plastdelarna lossnar då och deformation kan ske. Använd varmt vatten och en mjuk trasa för rengöring, torka sedan rent.

6.1. Förhindra obehagliga dofter

Produkten är tillverkad av doftfria material. Men, ha mat i avdelningarna och inte rengör noga i de interna utrymmena kan det leda till dofter.

För att undvika detta, rengör insidan med kolsyrat vatten var 15:e dag.

- Ha maten i slutna behållare. Mikroorganismer kan spridas utifrån de livsmedel som inte är täckta och orsaka dofter.
- Ha inte utgångna och gamla livsmedel i kylan.

6.2. Skydda plastytor

Olja som spills på plastytor kan skada ytorna och måste rengöras direkt med varmt vatten.

7 Felsökning

Kolla den här listan innan du kontaktar servicestället. Genom att göra detta kan du bespara dig både tid och pengar. Den här listan inkluderar de vanligaste klagomålen som inte är relaterade till felaktig tillverkning eller materialfel. Vissa funktioner som anges här i kanske inte gäller din produkt.

Kylen fungerar inte.

- Strömkabeln är inte isatt ordentligt. >>> Fäst den ordentligt i uttaget.
- Säkringen som är ansluten till uttaget har gått sönder. >>> Kontrollera säkringen.

Kondensation på sidoväggen i kylfacket (FLERZON, COOL, CONTROL och FLEXI ZONE.).

- Dörren öppnas för ofta >>> öppna inte dörren så ofta.
- Miljön är för fuktig. >>> Installera inte produkten i en fukrig miljö.
- Livsmedel som innehåller vätskor står förpackade i förpackningar som inte är förslutna. >>> Ha livsmedlen som innehåller vätskor i burkar med lock.
- Produktens dörr är öppen. >>> Ha inte produktens dörr öppen länge.
- Termostaten är inställd på för låg temperatur. >>> Ställ in termostaten på rätt temperatur.

Kompressorn fungerar inte.

- Om det plötsligt sker ett strömavbrott eller om du drar ur kontakten och sätter i den igen kan fastrycket i produktens kylsystem komma i obalans och det utlöser kompressorns termiska skyddsmekanism. Produkten kommer starta om efter cirka 6 minuter. Om produkten inte startar om efter den här tiden, kontakta servicestället.
- Avfrostning är aktiv. >>> Detta är normalt för en fullt automatiskt avfrostande produkt. Avfrostningen utförs regelbundet.
- Produkten är inte ansluten. >>> Kontrollera att strömkabeln är ansluten.
- Temperaturinställningen är inkorrekt. >>> Välj lämplig temperaturinställning.
- Strömmen är av. >>> Produkten kommer fortsätta att drivas normalt när strömmen återkommer.

Kylens driftsljud ökar vid användning.

- Produktens driftsljud beror på den omgivande temperaturens variationer. Detta är normalt och inte ett fel.

Felsökning

Kylen kör för ofta eller för länge.

- Den nya produkten kan vara större än den föregående. Större produkter kommer köra under längre perioder.
- Rumstemperaturen kan vara hög. >>> **Produkten kommer normalt köra under längre perioder i högre rumstemperatur.**
- Produkten kan ha anslutits nyligen eller ett nytt livsmedel kan ha placerats i kylen. >>> **Produkten kommer ta längre tid att nå den angivna temperaturen när den nyligen har anslutits eller om nya livsmedel placerats i den. Det är normalt.**
- Stora kvantiteter med varm mat kan nyligen ha placerats i produkten. >>> **Placera inte varm mat i produkten.**
- Dörrarna kan nyligen ha varit öppna ofta eller länge. >>> **Den varma luften rör sig inne i produkten och orsakar att den körs längre. Öppna inte dörrarna för ofta.**
- Frys- eller kyldörrarna kan vara på glänt. >>> **Kontrollera att dörrarna är helt stängda.**
- Produkten kan vara inställd på en för låg temperatur. >>> **Ställ in temperaturen på en högre grad och vänta på att produkten ska nå den justerade temperaturen.**
- Kyl- eller frys-dörrens list kan vara smutsig, sliten, trasig eller inte rätt fäst. >>> **Rengör eller byt ut listen. Skadad/riven dörrlist kan få produkten att köra under längre perioder för att hålla den aktuella temperaturen.**

Frysens temperatur är mycket låg, men kyltemperaturen är ok.

- Drysfackets temperatur är inställt på en mycket låg nivå. >>> **Ställ in frysfackets temperatur till en högre grad och kontrollera igen.**

Kylens temperatur är mycket låg, men frystemperaturen är ok.

- Kylfackets temperatur är inställt på en mycket låg nivå. >>> **Ställ in kylfackets temperatur till en högre grad och kontrollera igen.**

Livsmedlen som är i kylfackets lådor är fryst.

- Kylfackets temperatur är inställt på en mycket låg nivå. >>> **Ställ in frysfackets temperatur till en högre grad och kontrollera igen.**

Temperaturen i kylen eller frysen är för hög.

- Kylfackets temperatur är inställt på en mycket hög nivå. >>> **Kylfackets temperaturinställning påverkar frysfackets temperatur. Förändra kylens eller frysens facktemperatur och vänta till det berörda facket har nått den justerade temperaturen.**
- Dörrarna kan nyligen ha varit öppna ofta eller länge. >>> **Öppna inte dörrarna för ofta.**
- Dörren kan vara på glänt. >>> **Stäng dörren helt.**
- Produkten kan ha anslutits nyligen eller ett nytt livsmedel kan ha placerats i kylen. >>> **Det är normalt. Produkten kommer ta längre tid att nå den angivna temperaturen när den nyligen har anslutits eller om nya livsmedel placerats i den.**
- Stora kvantiteter med varm mat kan nyligen ha placerats i produkten. >>> **Placera inte varma livsmedel i**

Felsökning

Skakningar eller ljud

- Underlaget är inte i nivå eller hållbart. >>> Om produkten skakar när den rörs långsamt, justera ställen för att balansera produkten. Kontrollera också att underlaget är hållbart att bära produkten.
- Allt som placeras på produkten kan orsaka ljud. >>> Ta bort allt som är placerat på produkten.

Produkten låter som flytande vätska sprayande m.m.

- Produktens drift innehåller vätske- och gasflöden. >>> Detta är normalt och inte ett fel.

Det låter som vind blåser ifrån produkten.

- Produkten använder en fläkt i kylprocessen. Detta är normalt och inte ett fel.

Det är kondensations på produktens interna väggar.

- Varmt eller fuktigt väder kommer öka isbildningen och kondensationen. Detta är normalt och inte ett fel.
- Dörrarna kan nyligen ha varit öppna ofta eller länge. >>> Öppna inte dörrarna för ofta, om den är öppen, stäng dörren.
- Dörren kan vara på glänt. >>> Stäng dörren helt.

Det är kondensationen på produktens exteriör mellan dörrarna.

- Det omgivande vädren kan vara fuktigt, det är ganska vanligt i fuktigt väder. >>> Kondensationen kommer att försvinna när fuktigheten minskar.

Interiören luktar illa.

- Produkten rengörs inte regelbundet. >>> Rengör interiören på produkten degelbundet genom att använda svamp, varmvatten och kolsyrat vatten.
- Vissa hållare och paketeringsmaterial kan orsaka dofter. >>> Använd hållare och paketeringsmaterial utan dofter.
- Livsmedlen placerades i behållare som inte förseglats. >>> Ha maten i slutna behållare. Mikroorganismer kan spridas utifrån de livsmedel som inte är täckta och orsaka dofter.
- Ta bort alla utgånga eller gamla livsmedel ifrån produkten.

Dörren stängs inte.

- Livsmedelspaket kan blockera dörren. >>> Placera om sakerna som blockerar dörren.
- Produkten står inte helt rakt på underlaget. >>> Justera ställen för att balansera produkten.
- Underlaget är inte i nivå eller hållbart. >>> Kontrollera att underlaget är hållbart att bära produkten.

Grönsakslådan sitter fast.

- Livsmedlen kan ha kommit i kontakt med övre delen av lådan. >>> Omorganisera livsmedlen i lådan.



WARNING: Om problemen fortgår efter att du följt instruktionerna i det här avsnittet, kontakta din återförsäljare eller godkända serviceställe. Försök inte reparera produkten.

ANSVARSRISKRVNING/VARNING

Slutanvändaren kan lösa en del (enkla) fel utan att det leder till säkerhetsproblem eller osäker användning, förutsatt att de utförs inom begränsningarna och enligt följande instruktioner (se sektion "Självreparation").

Därför ska, om inte annat angetts, reparationerna som i sektionen "Självreparation" överlätas till registrerad professionell reparatör, för att undvika säkerhetsproblem. En registrerad professionell reparatör är en person, som tillverkaren har gett åtkomst till denna produkts instruktioner och reservdelslista enligt metoder som beskrivits i Direktivets 2009/125/EC laghandlingar.

Emellertid kan endast servicerepresentant (auktoriserad professionell reparatör), som kan nås genom telefonnumret i bruksanvisningen/garantikortet eller auktoriserad återförsäljare utföra service under garantitiden. Märk därför, att reparationer utförda av professionell reparatör (som inte är auktoriserad avBeko) kommer att upphäva garantin.

Självreparationer

Slutanvändaren kan utföra självreparationer angående följande reservdelar: dörrhandtag, dörrgångjärn, hyllor, korgar och dörrtätningar (en uppdaterad lista finns tillgänglig på adress support.beko.com fr o m. 1:a Mars 2021).

För att försäkra produktens säkerhet och förhindra allvarlig personskada, ska nämnda självreparationer utföras enligt instruktionerna för självreparationer i bruksanvisningen eller som finns tillgängliga på adressen support.beko.com. Koppla ur produkten innan självreparationer utförs.

Alla självreparationer eller försök till dessa utförda av slutanvändaren av delar som inte inkluderats i nämnda lista och/eller

att instruktionerna i bruksanvisningen eller som finns tillgängliga på adressen support.beko.com inte åtföljs, kan leda till säkerhetsproblem utanför Beko kontroll och upphäva garantin.

Därför rekommenderar vi att slutanvändaren avstår från att utföra reparationer, som inte nämnts i reservdelslistan, utan kontaktar istället auktoriserad professionell reparatör eller registrerad professionell reparatör. Å andra sidan kan dessa reparationer utförda av slutanvändare leda till säkerhetsproblem och skador på produkten och orsaka brand, översvämning, elchock och andra allvarliga personskador.

Tillexempel måste följande, men inte begränsade till, utföras av auktoriserad professionell reparatör eller registrerad professionell reparatör: kompressor, kylkrets, elektronikort, inverterkort, displaykort etc.

Tillverkaren/säljaren kan inte hållas ansvarig i fall, där slutanvändaren inte följer ovan nämnda regler.

Reservdelar till kylskåpet finns tillgängliga i 10 år.

Under denna period kommer reservdelar att finnas tillgängliga, för att kylskåpet ska fungera på korrekt sätt.

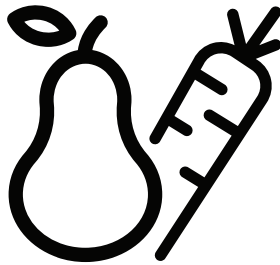
Minimigarantitiden för kylskåpet som du köpt är 24 månader.

Denna produkt är utrustad med ljuskälla i "G" energiklass.

Endast en professionell montör får byta produktens ljuskälla.

beko

Kjøleskap
Bruksanvisning
Jääkaappi
Käyttöopas



RCHE300K30WN

NO / FIN /



RESIRKULERT OG
RESIRKULERTBART PAPIR



KIERRÄTETTY JA
KIERRÄTETTÄVÄ PAPERI

Vennligst les denne veiledningen først!

Kjære kunde,

Vi håper at produktet ditt, som er produsert ved moderne fabrikker og som har gått igjennom strenge kvalitetskontrollprosedyrer, fullt ut vil dekke dine behov.





Derfor ber vi deg lese nøye gjennom denne veiledningen før du bruker produktet, og beholde denne for fremtidig bruk.






Bruksanvisningen

- Vil hjelpe deg til å bruke apparatet på en hurtig og sikker måte.
 - Vennligst les bruksanvisningen før du installerer og bruker produktet.
 - Følg instruksjonene, spesielt de som angår sikkerheten.
 - Hold veiledningen lett tilgjengelig, siden du kan ha behov for den senere.
 - Les også de andre dokumentene som ble levert sammen med produktet.
- Vennligst merk at denne bruksanvisningen kan gjelde for flere andre modeller.

Symboler og beskrivelser av disse

Denne veiledningen inneholder følgende symboler:

-  Viktig informasjon eller nyttige tips om bruk.
-  Advarsel om farlige tilstander for liv og eiendom.
-  Advarsel om elektrisk spenning.
-  Advarsel: Brannfare / Brannfarlige materialer

 INFORMASJON	
 	Modellinformasjonen som er lagret i produkt databasen kan nås ved å gå inn på følgende nettsted og søke etter din modellidentifikator (*) som finnes på energimerket.
SUPPLIER'S NAME 	MODEL IDENTIFIER (*) 
https://eprel.ec.europa.eu/	

1. Sikkerhets- og miljøinstrukser	4	5. Bruk av ditt kjøleskap	13
1.1. Generell sikkerhet	4	Apen dør-alarm	14
1.1.1 HC-advarsel	6	Å endre dørens åpningsretning	14
1.1.2 For modeller med vannfontene	6	Innvendig lys	14
1.2. Forutsatt bruk	6	6. Vedlikehold og rengjøring	16
1.3. Barnesikring	7	6.1. Hindre dårlig lukt	16
1.4. Overholdelse av WEEE-direktivet og avhending av avfallsproduktet	7	6.2. Beskytte plastoverflater	16
1.5. Overholdelse av RoHS-direktivet	7	7. Feilsøking	17
1.6. Emballasjeinformasjon	7		
2 Kjøleskap	8		
3 Montering	9		
3.1. Riktig sted for montering	9		
3.2. Feste plastkilene	9		
3.3. Justering av stativer	10		
3.4. Strømtilkobling	10		
4 Forberedelse	11		
4.1. Hva du bør gjøre for å spare energi	11		
4.2. Første gangs bruk	11		

1 Sikkerhets- og miljøinstrukser

Dette avsnittet gir sikkerhetsinstruksene som er nødvendige for å hindre fare for person- og materiell skade. Unnlattelse av å følge disse instruksene vil ugyldiggjøre alle former for produktgaranti.

Beregnet bruk

	ADVARSEL: Sørg for at ventilasjonsåpningene i apparatets kabinett eller i den innebygde strukturen ikke blokkeres.
	ADVARSEL: Bruk ikke andre mekaniske innretninger eller midler for å akselerere avisingsprosessen enn det som er anbefalt av produsenten.
	ADVARSEL: Ikke skad kjølekretsen.
	ADVARSEL: Ikke bruk elektriske apparater inne i oppbevaringsrommene for mat i apparatet, med mindre de er av en type som anbefales av produsenten.
	ADVARSEL: Ikke oppbevar eksplosive stoffer, slik som aerosolbokser med antennelig drivmiddel i dette apparatet.
	ADVARSEL: Ikke oppbevar eksplosive stoffer, slik som aerosolbokser med antennelig drivmiddel i dette apparatet.

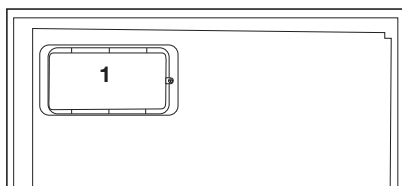
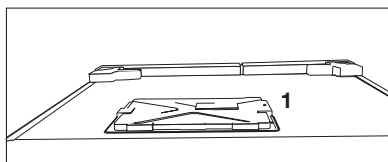
Dette apparatet er beregnet til bruk i husholdninger og lignende bruksområder som f.eks.

- kjøkkenområder med ansatte i butikker, kontorer og andre arbeidsmiljøer;
- gårdshus og av kunder i hoteller, moteller og andre typer boligmiljøer;

- overnattingssteder med frokost;
- catering og lignende bruksområder utenom detaljhandel.

1.1. Generell sikkerhet

- Dette produktet skal ikke brukes av personer med redusert fysisk, sensorisk og mentale evne uten tilstrekkelig kunnskap og erfaring, eller av barn. Apparatet kan bare brukes av slike personer under tilsyn og instruering av en person som er ansvarlig for deres sikkerhet. Barn må ikke få lov til å leke med dette apparatet.
- I tilfelle feil, koble fra apparatet.
- Etter at du har koblet fra apparatet, venter du minst fem minutter før du plugges det inn igjen.
- Koble fra produktet når det ikke er i bruk.
- Støpselet må ikke berøres med våte hender! Ikke trekk i kablen ved frakobling. Hold alltid støpselet.
- Ikke koble til kjøleskapet hvis kontakten er løs.
- Koble fra produktet under montering, vedlikehold, rengjøring og reparasjon.
- Hvis produktet ikke skal brukes på en stund, kobler du fra produktet og tømmer det for mat.
- Bruk aldri produktet når dekslet på boksen til elektronikkortet (1) øverst eller bak på produktet, er åpent.



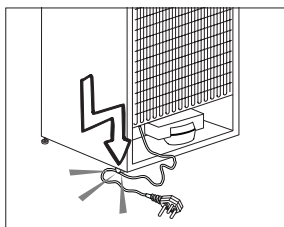
- Ikke bruk damp eller dampede rengjøringsmaterialer til å rengjøre kjøleskapet og smelte innvendig is. Damp kan komme

Sikkerhets- og miljøinstruksjoner

i kontakt med elektriske områder og forårsake kortslutning eller elektrisk støt!

- Ikke vask produktet ved å spraye eller helle vann på det! Fare for elektrisk støt!
- I tilfelle feil, ikke bruk produktet. Dette kan føre til elektrisk støt. Ta kontakt med et autorisert servicesenter før du gjør noe.
- Koble produktet til en jordnet stikkontakt. Jording må utføres av en kvalifisert tekniker.
- Hvis produktet bruker LED-lys, må du kontakte det autoriserte servicesenteret i tilfelle lamper må byttes ut eller problemer oppstår.
- Ikke ta på frossen mat med bare hender! Den kan sette seg fast i hendene dine!
- Ikke plasser flasker eller bokser med væske i fryseren. De kan eksplodere!
- Sett inn væske i oppreist stilling etter at du lukker lokket skikkelig.
- Ikke spray brennbare stoffer i nærheten av produktet, da de kan ta fyr eller eksplodere.
- Ikke oppbevar brennbare materialer og produkter med brannfarlig gass (sprayer, osv.) i kjøleskapet.
- Ikke plasser væskefylte beholdere på toppen av produktet. Vann som sprutes på en elektrisk del kan forårsake elektrisk støt eller brannfare.
- Å utsette produktet for regn, snø, sollys og vind vil medføre elektrisk fare. Ikke dra i dørhandtaket når du omplasserer produktet. Håndtaket kan løsne.
- Vær forsiktig så du ikke klemmer noen del av hendene eller kroppen i noen av de bevegelige delene inne i produktet.
- Ikke trakk eller len deg på døren, skuffer og lignende deler av kjøleskapet. Dette kan føre til at produktet faller og forårsake skade på delene.
- Vær forsiktig så du ikke klemmer strømkabelen.

- ADVARSEL: Sørg for at strømledningen ikke er fanget eller skadet når du plasserer apparatet.
- ADVARSEL: Ikke plasser flere bærbare stikkontakter eller bærbare strømforsyninger på baksiden av apparatet.
- Når du plasserer apparatet, må du sørge for at strømledningen ikke er fast eller skadet.
- Finn ikke flere bærbare stikkontakter eller bærbare strømforsyninger på baksiden av apparatet.



- Finn ikke flere bærbare stikkontakter eller bærbare strømforsyninger på baksiden av apparatet.
- Sideved side-kjøleskapet trenger vanntilkobling. Hvis ingen vannkran er tilgjengelig ennå og du må ringe etter en rørlegger, vær oppmerksom på: I tilfelle huset ditt er utstyrt med et gulvvarmeanlegg, vennligst vurder, å bore hull i betongtaket kan skade dette varmesystemet.
- Barn i alderen 3 til 8 år har lov til å laste inn i og ut avkjøleapparater.
- For å unngå forurensning av mat, vennligst følg følgende instruksjoner:
 - - Å åpne døren i lange perioder kan føre til en betydelig økning i temperaturen i rommene på apparatet.
 - - Rengjør jevnlig overflater som komme i kontakt med mat og tilgjengelige dreneringssystemer.
 - - Rengjør vanntanker hvis de ikke har vært brukt i 48 timer; skylle vannsystemet koblet til vann

Sikkerhets- og miljøinstrukser

- Tilfør hvis vann ikke er trukket i fem dager.
- - Oppbevar rått kjøtt og fisk i egnede beholdere i kjøleskapet slik at det ikke er i kontakt med, eller drypper på annen mat.
- - To-stjerners fryseskuffer er egnet for oppbevaring av forhåndsfrosset mat, lagring eller fremstilling av is krem og lage isbiter - Ett-, to- og tre-stjerners rom er ikke egnet for frysing av fersk mat.
- - Hvis kjøleapparatet er tomt i lange perioder, slår du av, avrim, rengjør, tørker og forlater
- Døren er åpen for å forhindre muggdannelse i apparatet.

1.1.1 HC-advarsel

Hvis produktet inneholder et kjølesystem som bruker R600a-gass, må du utvise forsiktighet ved bruk og flytting av systemet for å unngå skade på kjølesystemet og dets rør. Denne gassen er brennbar. Hvis kjølesystemet blir skadet, holder du produktet vekk fra brannkilder og ventilerer rommet umiddelbart.



Etiketten på den innvendige venstre siden indikerer hvilken type gass som brukes i produktet.

1.1.2 For modeller med vannfontene

- Trykket for kaldtvannsinntaket skal være maksimalt 90 psi (620 kPa). Hvis vanntrykket overstiger 80 psi (550 kPa), må du bruke en trykkbegrensningsventil i ledningsnett. Hvis du ikke vet hvordan du skal sjekke vanntrykket, be om hjelp fra en profesjonell rørlegger
- Hvis det er fare for vannslageffekt i installasjonen, må du alltid bruke forebyggende utstyr for vannslag i installasjonen. Rådfør med profesjonelle rørleggere hvis du ikke er sikker på at det ikke er vannslageffekt i installasjonen.

- Ikke installer på varmtvannsinntaket. Ta forholdsregler mot risikoen for frysing av slangene. Driftsintervallet for vanntemperaturen skal være 0,6 °C og minst 38 °C maks.
- Bruk kun drikkevann.

1.2. Forutsatt bruk

- Dette produktet er utviklet for hjemmebruk. Det er ikke beregnet til kommersiell bruk.
- Produktet bør kun brukes til å oppbevare mat og drikke.
- Ikke oppbevar sensitive produkter som krever kontrollerte temperaturer (vaksiner, varmefølsomme medisiner, medisinsk utstyr, osv.) i kjøleskapet.
- Produsenten påtar seg intet ansvar for eventuelle skader forårsaket av feil bruk eller feilhåndtering.
- Originale reservedeler vil bli gitt i 10 år etter kjøpsdatoen for produktet.

Sikkerhets- og miljøinstruksjer

1.3. Barnesikring

- Emballasjematerialene skal holdes utilgjengelig for barn, da de kan være farlige for barn.
- Ikke la barn leke med produktet.
- Hvis døren til produktet inneholder en lås, må nøkkelen holdes utenfor rekkevidde for barn.

1.4. Overholdelse av WEEE-direktivet og avhending av avfallsproduktet

Dette produktet er i samsvar med EUs WEEE-direktiv (2012/19/EU). Dette produktet bærer et klassifiseringssymbol for kasserte elektriske og elektroniske produkter (EE-avfall).



Dette produktet er produsert med deler av høy kvalitet og materialer som kan gjenbrukes, og er egnet for resirkulering. Produktet skal ikke kastes sammen med normalt

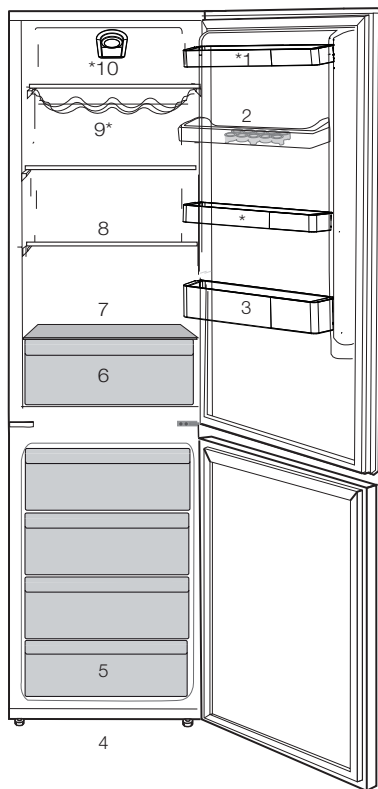
husholdningsavfall og annet avfall på slutten av levetiden. Ta det til et innsamlingsstener for resirkulering av elektrisk og elektronisk utstyr. Ta kontakt med lokale myndigheter for å lære om disse innsamlingsstentene. Ved å resirkulere brukte produkter kan du bidra til å beskytte miljøet og naturlige ressurser. For sikkerhets skyld må du klippe strømkabelen og ødelegge låsemekanismen på døren, hvis den har en slik, slik at produktet ikke er funksjonelt når du kaster det.

1.5. Overholdelse av RoHS-direktivet

- Dette produktet er i samsvar med EUs WEEE-direktiv (2011/65/EU). Det inneholder ikke skadelige og forbudte materialer spesifisert i direktivet.

1.6. Emballasjeinformasjon

Emballasjematerialene til produktet er laget av resirkulerbare materialer i samsvar med våre nasjonale miljøforskrifter. Emballasjematerialene må ikke avhendes sammen med husholdningsavfall eller andre typer avfall. Ta dem til innsamlingssteder for emballasjematerialer utpekt av lokale myndigheter.



- | | |
|-------------------|---------------------------|
| 1. Dørhylle | 7. Grønnsakskuffelukk |
| 2. Eggholdere | 8. Justerbare Hovedhyller |
| 3. Flaskehylle | 9. Vinkjeller |
| 4. Flaskehylle | 10. Termostatknapp |
| 5. Justerbare Ben | |
| 6. Kjøledel | |



Figurene i denne brukerveiledningen er skjematiske, og vil ikke nødvendigvis tilsvare ditt produkt nøyaktig. Hvis produktet ditt ikke inneholder de relevante delene, gjelder informasjonen for andre modeller.

3.1. Riktig sted for montering

Ta kontakt med det autoriserte servicesenteret for montering av produktet. For å klargjøre produktet for montering, se informasjonen i brukerhåndboken og at sjekk strøm- og vanntilkoblingene oppfyller gjeldende krav. Hvis ikke, ring en elektriker eller rørlegger for å ordne tilkoblingene etter behov.

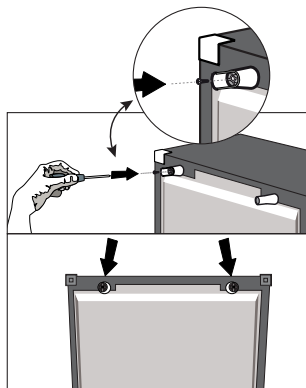
	ADVARSEL: Produsenten påtar seg intet ansvar for eventuelle skader forårsaket av arbeid som utføres av uautoriserte personer.
	ADVARSEL: Strømkabelen til produktet må være frakoblet under monteringen. Unnlatelse av å gjøre dette kan føre til død eller alvorlige skader!
	ADVARSEL: Hvis dørens spenn er såpass smalt at produktet ikke får plass, fjerner du døren og snur produktet sidelengs. Hvis dette ikke fungerer, ta kontakt med et autorisert servicesenter.

- Sett produktet på en flat overflate for å unngå vibrasjon.
- Plasser produktet minst 30 cm vekk fra varmeapparatet, komfyren og lignende varmekilder og minst 5 cm vekk fra elektriske ovner.
- Produktet må ikke utsettes for direkte sollys eller oppbevares i fuktige omgivelser.
- Produktet krever tilstrekkelig luftsirkulasjon for å fungere effektivt.
- Hvis produktet skal plasseres i en alkove, må du huske å la det være minst fem cm avstand mellom produktet og taket og veggene.
- Produktet må ikke monteres i omgivelser med temperaturer under -5°C .

3.2. Feste plastkilene

Bruk plastkilene som følger med produktet til å skape tilstrekkelig rom for luftsirkulasjon mellom produktet og veggen.

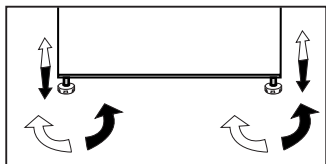
1. For å feste kilene, fjerner du skruene på produktet og bruker skruene som følger med kilene,
2. Fest to plastkiler på ventilasjonsdekslet, som vist på figuren.



Montering

3.3. Justering av stativer

Hvis produktet ikke er i balansert posisjon, justerer du de fremre justerbare stativene ved å rotere mot høyre eller venstre.



Advarsel om varme overflater
Sideveggene på produktet er utstyrt med kjølerør for å forbedre kjølesystemet. Kjølemiddel med høye temperaturer kan strømme gjennom disse områdene og føre til varme flater på sideveggene. Dette er normalt og krever ikke reparasjon. Vær forsiktig når du berører disse områdene.

3.4. Strømtilkobling



ADVARSEL: Ikke bruk skjøte- eller multikontakter til strømtilkobling.



ADVARSEL: Skadet strøm kabel må erstattes av et autorisert servicesenter.



Når du plasserer to kjølerne i tilstøtende posisjon, må du la det være en avstand på minst 4 cm mellom de to enhetene.

- Firmaet vårt vil ikke påta seg ansvar for eventuelle skader som følge av bruk uten jording og strømtilkobling i samsvar med nasjonale bestemmelser.
- Strømledningens støpsel skal være lett tilgjengelig etter monteringen.
- Koble kjøleskapet til en jordet kontakt med en spenning på 220-240V/50 Hz. Støpselet må ha en 10-16A-sikring.
- Ikke bruk multiplugg med eller uten skjøtekabel mellom veggkontakten og kjøleskapet.

4.1. Hva du bør gjøre for å spare energi



Å koble produktet til elektroniske energisparende produkter er farlig, da det kan skade produktet.

- Ikke åpne kjøleskapsproduktene i lengre perioder.
- Ikke sett varm mat eller drikke i kjøleskapet.
- Ikke overfyll kjøleskapet. Blokering av den interne luftstrømmen vil redusere kjølekapasiteten.
- For å lagre en maksimal mengde mat i det kjøligere rommet i kjøleskapet, bør du ta ut de øvre skuffene og plassere dem i glasstativ. Det oppgitte energiforbruket i kjøleskapet er fastsatt ved å ta ut kjøleren, isskuffen og de øvre skuffene på en måte som skaffer maksimal lagringsplass. Bruk skuffen nede når oppbevaring anbefales sterkt. Strømsparefunksjonen bør aktiveres for best mulig strømforbruk.
- Du bør ikke blokkere luftstrømmen ved å sette mat foran kjøleviften. En plass på minimum 3 cm må bli værende foran den beskyttende vifteledningen når du plasserer mat.
- Avhengig av funksjonene til produktet, vil avriming av frosne matvarer i kjøledelen sikre energisparing og bevare matvarekvalitet.
- Mat bør lagres ved hjelp av skuffer i kjølerrommet for å sikre energisparing og beskytte mat under bedre forhold.
- Pakninger med mat bør ikke være i direkte kontakt med varmesensoren som er plassert i kjølerrommet. Hvis de er i kontakt med sensoren, vil energiforbruket i ovnen kunne øke.
- Pass på at matvarene ikke er i kontakt med temperatursensoren i kjøledelen som er beskrevet nedenfor.

4.2. Første gangs bruk

Før du tar i bruk kjøleskapet, må du kontrollere at nødvendige forberedelser er gjort i tråd med instruksjonene i avsnittene "Sikkerhets- og miljøinstrukser" og "Montering".

- La kjøleskapet bli stående på i seks timer uten at det er mat inni og åpne ikke døren med mindre det er helt nødvendig.



Du vil høre en lyd når kompressoren aktiveres. Det er vanlig å høre lyden selv når kompressoren er inaktiv, på grunn av de komprimerte væskene og gassene i kjølesystemet.



Forkanten av produktet vil kunne varmes opp. Dette er normalt. Disse områdene er utviklet for å varmes opp for å hindre kondensering.

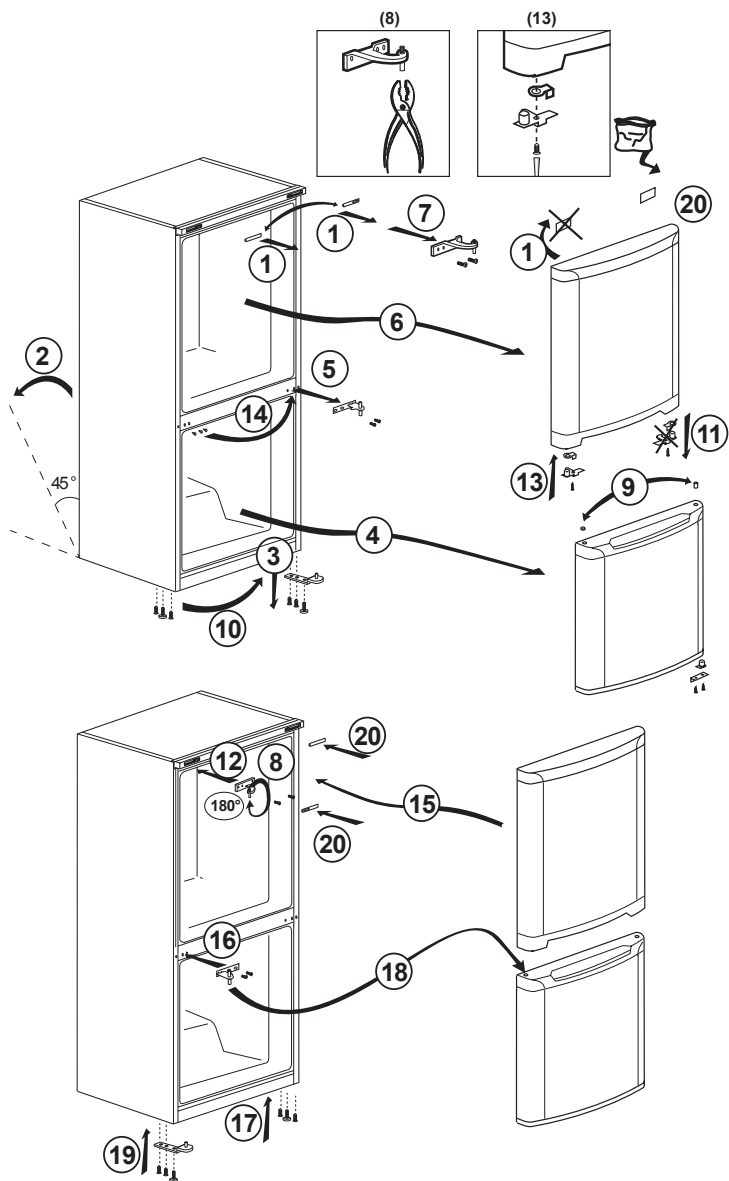


I noen modeller vil indikatorpanelet slå av automatisk fem minutter etter at døren lukkes. Det vil bli reaktivert når døren er åpen eller når det trykkes på en knapp.

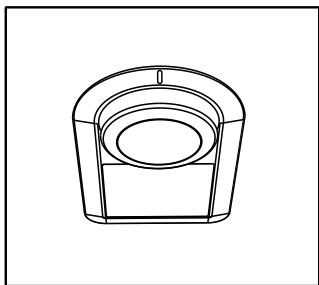
- Ettersom varm og fuktig luft ikke vil trenge direkte inn i produktet når dørene ikke er åpne, vil produktet optimalisere seg selv for å sørge for forhold som er tilstrekkelige for å beskytte maten din. Funksjoner og komponenter som kompressor, vifte, varmeapparat, avriming, belysning osv. starter ved behov for å bruke minst mulig energi under disse forholdene.

Omhengsling av dørene

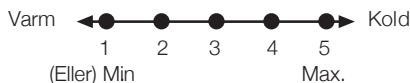
Gå frem i nummerrekkefølge .



5 Bruk av ditt kjøleskap



Driftstemperaturen reguleres ved bruk av temperaturkontrollen.



0=Systemets kjøling er slått av.

1=Laveste kjøleinnstilling

(varmeste innstilling).

5=Innstilling av maks. kjøling

(kaldeste temperaturinnstilling).

Gjennomsnittstemperaturen inne i kjøleskapet bør ligge på om lag $+5^{\circ}\text{C}$.

Vennligst velg innstilling etter ønsket temperatur.

Vennligst merk at det vil være ulike temperaturer i kjøleområder.

Det kaldeste området er rett ovenfor grønnsaksområdet.

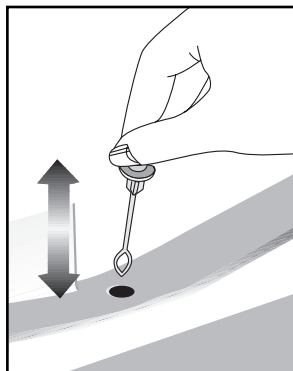
Interiørtemperaturen avhenger også av omgivelsestemperaturen, hvor ofte døren åpnes og mengde mat som oppbevares på inne i skapet.

Hvis døren åpnes ofte, kan temperaturen inne i kjøleskapet øke.

Av denne grunn anbefales det å lukke døren igjen så snart som mulig etter bruk.

Temperaturen inne i kjøleskapet endres av følgende årsaker:

- Pga. temperatursvingninger i løpet av årstidene
- Pga. at døren åpnes ofte og at døren blir stående åpen over lengre tid.
- Som følge av at mat legges i kjøleskapet uten å på forhånd være kjølt ned til romtemperatur.
- Pga. kjøleskapets plassering i rommet – f.eks. dersom det utsettes for sollys.
- Du kan justere romtemperaturen som skifter av slike årsaker ved å benytte termostaten. Tallene rundt termostatknappen indikerer kjølegradene.
- Vann som følger av avisingen kommer fra vannsamlingsporet og flyter inn i fordampere gjennom avløpsrøret og fordamper her av seg selv!



Figurene i denne brukerveiledningen er skjematiske, og vil ikke nødvendigvis tilsvare ditt produkt nøyaktig. Hvis produktet ditt ikke inneholder de relevante delene, gjelder informasjonen for andre modeller.

Bruk av produktet

Nedkjøling

Oppbevaring av mat

Kjøleskapsdelen brukes for kortvarig oppbevaring av ferske matvarer og drikkevarer.

Oppbevar melkeprodukter i den avdelingen av kjøleskapet/fryseren som er beregnet på dette.

Flasker kan oppbevares i flaskeholderen eller i flaskehyllen i døren.

La varm mat og drikke få kjøles ned til romtemperatur før du plasserer det i kjøleskapet/fryseren.

- OBS

Lagre aldri eksplosive stoffer eller beholdere med brennbar drivgass (trykkbeholder for krem, sprayflasker og liknende) i kjøleskapet. Det er fare for eksplosjon.

Plassering av mat

Eggbrett	Egg
KjøleskapsHYLLER	Mat i panner, på dekkede tallerkener og i lukkede beholdere
DørHYLLER	Liten og pakket mat eller drikke (for eksempel melk, juice og øl)
Sprøere	Frukt og grønnsaker

Avising av kjøleskapet

Apparatet avises automatisk.

Apen dør-alarm

(tilleggsutstyr)

En hørbar alarm vil lyde hvis produktets dør blir stående åpen i minst ett minutt. Lydsignalet vil stoppe når døren lukkes eller en hvilken som helst knapp på displayet (hvis tilgjengelig) trykkes.

Varsling om åpen dør angis for brukeren både hørbart og visuelt. Belysningen innvendig vil slås av dersom varslingen fortsetter i 10 min.

Å endre dørens åpningsretning

Du kan endre retningen for åpning av kjøleskapet avhengig av stedet hvor du bruker den. Trenger du dette, rådfør deg med autorisert service.

Forklaringen ovenfor er et generelt utsagn. Du bør sjekke varsellappen som ligger inne i produktpakken om hvorvidt dørretningen kan endres.

Innvendig lys

Innvendig lys bruker en LED-lampe. Ta kontakt med det autoriserte servicesenteret hvis det oppstår problemer med lampen.

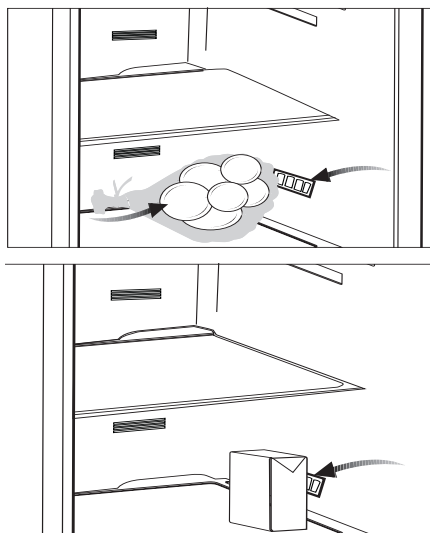
Lampe(r) som brukes i dette apparatet kan ikke brukes til boligbelysning. Tiltent bruk av denne lampen er å hjelpe brukeren med trygt og komfortabelt å plassere mat i kjøleskapet/fryseren.

Bruk av produktet

Anbefalinger for ferskvareskuff

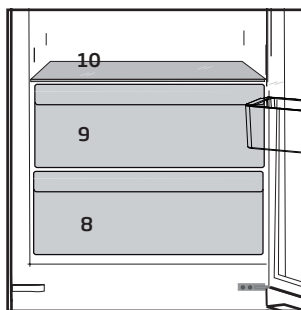
EKSTRAUTSTYR *

- Pass på at matvarer ikke kommer i kontakt med temperaturføleren i ferskvareskuffen. For å sikre at den ideelle oppbevaringstemperaturen i ferskvareskuffen opprettholdes, må ikke føleren blokeres av matvarer.
- Ikke sett varm mat inn apparatet.



Beholderen for meieriprodukter gir lavere .temperatur i kjølerommet

Bruk denne beholderen til å lagre delikatesser (salami, pølser, meieriprodukter osv.) som krever lavere lagringstemperatur eller kjøtt-, kylling- eller fiskeprodukter for øyeblikkelig forbruk. Ikke oppbevar frukt og grønnsaker i denne beholderen.



Regelmessig rengjøring av produktet vil forlenge levetiden.



ADVARSEL: Koble fra strømmen før du rengjør kjøleskapet.

- Ikke bruk skarpe og slipende verktøy, såpe, materialer for husrengjøring, vaskemidler, gass, bensin, lakk og lignende stoffer for rengjøring.
- I andre enn No Frost-produkter dannes det vanndråper og isklumper på opptil en fingerbreddes størrelse på baksiden av kjøleskapet. Ikke rengjør kjøleskapet og påfør heller aldri olje eller lignende midler.
- Bruk bare lett fuktet mikrofiberduk til å rengjøre produktets ytre overflate. Svamper og andre typer rengjøringskluter vil kunne skrape opp overflaten.
- Smelt en teskje med karbonat i vann. Fukt en klut i vannet og vri ut. Bruk denne kluten til å fukte apparatet og tørk grundig av.
- Pass på å holde vannet vekk fra lampedekselet og andre elektriske deler.
- Rengjør døren med en våt klut. Fjern alle innvendige varer for å ta av døren og rammehyllene. Løft hyllene opp for å løsne dem. Rengjør og tørk hyllene, og sett dem deretter på plass ved å skyve ovenfra.
- Ikke bruk klorvann eller rengjøringsprodukter på den ytre overflaten og de krombelagte delene av produktet. Klor vil føre til rust på slike metalliske overflater.
- Ikke bruk skarpe og slipende verktøy eller såpe, rengjøringsmidler, vaskemidler,

bensin, benzen, voks, osv. Hvis du gjør dette, vil frimerker på plastdeler komme av og det vil oppstå deformasjon. Bruk varmt vann og en myk klut for rengjøring og tørk.

6.1. Hindre dårlig lukt

Produktet er blitt produsert uten illeluktende materialer. Oppbevaring av mat i uegnede deler i kjøleskapet og uriktig rengjøring av interne overflater kan føre til dårlig lukt.

For å unngå dette, må du rengjøre innsiden med kullsyreholdig vann hver 15. dag.

- Hold matvarer i forseglede beholdere. Mikroorganismer kan spre seg ut av utette matvarer og føre til dårlig lukt.
- Ikke oppbevar utgått eller fordervet mat i kjøleskapet.

6.2. Beskytte plastoverflater

Olje som søles på plastoverflater kan skade overflaten og må rengjøres umiddelbart med varmt vann.

Sjekk denne listen før du kontakter servicesenteret. Dette vil spare deg tid og penger. Denne listen omfatter hyppige klager som ikke er relatert til produksjons- eller materialfeil. Enkelte funksjoner som er nevnt her, gjelder kanskje ikke for dette produktet.

Kjøleskapet fungerer ikke.

- Støpselet sitter ikke ordentlig. >>>
Plugg det i slik at det sitter ordentlig i kontakten.
- Sikringen som er koblet til stikkkontakten som gir strøm til produktet eller hovedsikringen er gått.>>> *Kontroller sikringene.*

Kondens på sideveggen av kjøledelen (MULTIZONE (FLERE SONER), COOL (KJØLIG), CONTROL (KONTROLL) og FLEXI ZONE (FLEKSISONE).

- Døren åpnes for ofte >>> *Pass på ikke å åpne døren til produktet for ofte.*
- Miljøet er for fuktig. >>> *Produktet må ikke monteres i fuktige miljøer.*
- Mat som inneholder væske oppbevares i utette beholdere. >>> *Mat som inneholder væske må oppbevares i forseglede beholdere.*
- Døren til produktet står åpen. >>> *Døren til produktet må ikke stå åpen i lengre perioder.*
- Termostaten er satt til en altfor lav temperatur. >>> *Sett termostaten til egnet temperatur.*

Kompressoren virker ikke

- I tilfelle plutselige strømbrudd eller hvis støpselet trekkes raskt ut og settes inn igjen, er ikke gasstrykket i produktets kjølesystem balansert. Dette vil utløse kompressoren varmebeskyttelse. Produktet starter på nytt etter omtrent seks minutter. Hvis produktet ikke starter igjen etter denne perioden, kontakter du servicesenteret.
- Avriming er aktivert. >>> *Dette er normalt for et helautomatisk avrimingsprodukt. Avrimingen utføres periodisk.*
- Produktet er ikke pluggert inn. >>> *Sørg for at strømledningen er pluggert inn.*
- Temperaturinnstillingen er feil. >>> *Velg egnet temperaturinnstilling.*
- Strømmen er gått. >>> *Produktet vil fortsette å fungere som normalt når strømmen kommer tilbake.*

Driftsstøyen til produktet øker under bruk.

- Produktets støy kan variere avhengig av omgivelses temperaturvariasjoner. Dette er normalt og ikke en feil.

Kjøleskapet kjøres for lenge eller for ofte.

- Det nye produktet kan være større enn det forrige. Større produkter kjøres i lengre perioder.
- Romtemperaturen kan være for høy. >>> Produktet vil normalt kjøres i lange perioder ved høyere romtemperatur.
- Produktet kan ha blitt koblet til nylig eller en ny matvare er blitt satt inn i kjøleskapet. >>> Produktet vil bruke lenger til på å nå den innstilte temperaturen når den nylig er blitt koblet til eller en ny matvare er plassert i kjøleskapet. Dette er normalt.
- Store mengder varm mat kan ha blitt satt inn i produktet nylig. >>> Ikke sett varm mat i produktet.
- Dørene ble åpnet ofte eller ble holdt åpne i lange perioder. >>> Innvendig sirkulasjon av varmluft til føre til at produktet ikke kjører lenger. Dørene må ikke åpnes for ofte.
- Fryser- eller kjøledøren står kanskje på gløtt. >>> Kontroller at dørene er helt lukket.
- Produktet kan ha blitt satt til en altfor lav temperatur. >>> Sett temperaturen på en høyere temperatur og vent til produktet når den justerte temperaturen.
- Kjøle- eller fryserdørskiven kan være skitten, utslitt, ødelagt eller ikke satt inn riktig. >>> Rengjør eller bytt ut skiven. En skadet/revet dørskive vil føre til at produktet kjører i lengre perioder for å opprettholde gjeldende temperatur.

Frysetemperaturen er meget lav, men den kjøletemperaturen er tilstrekkelig.

- Fryserdelen er satt til en veldig lav temperatur. >>> Sett fryserdelen til en høyere temperatur og kontroller på nytt.

Kjøletemperaturen er meget lav, men den frysetemperaturen er tilstrekkelig.

- Kjøledelen er satt til en veldig lav temperatur. >>> Sett kjøledelen til en høyere temperatur og kontroller på nytt.

Matvarene som oppbevares i kjøledelen er frosne.

- Kjøledelen er satt til en veldig lav temperatur. >>> Sett fryserdelen til en høyere temperatur og kontroller på nytt.

Temperaturen i kjøleren eller fryseren er for høy.

- Kjøledelen er satt til en altfor høy temperatur. >>> Temperaturinnstillingen i kjøledelen påvirker temperaturen i fryserdelen. Endre temperaturen i kjøle- og fryserdelen og vent til de relevante delene når det justerte temperaturnivået.
- Dørene ble åpnet ofte eller ble holdt åpne i lange perioder. >>> Dørene må ikke åpnes for ofte.
- Døren står kanskje på gløtt. >>> Lukk døren fullstendig.
- Produktet kan ha blitt koblet til nylig eller en ny matvare er blitt satt inn i kjøleskapet. >>> Dette er normalt. Produktet vil bruke lenger til på å nå den innstilte temperaturen når den nylig er blitt koblet til eller en ny matvare er plassert i kjøleskapet.
- Store mengder varm mat kan ha blitt satt inn i produktet nylig. >>> Ikke sett varm mat i produktet.

Feilsøking

Vibrasjon eller klapping.

- Bakken er ikke i vater eller holdbar. >>> Hvis produktet er risting når det bevegges langsomt, må du justere stativene for å balansere produktet. Kontroller også at bakken er tilstrekkelig holdbar til at den kan bære produktet.
- Gjenstander som plasseres på produktet kan forårsake støy. >>> Fjern alle gjenstander på produktet.

Produktet lager støy som ligner på strømmende væske, spraying osv.

- Driftsprinsippene til produktet involverer strømming av væske og gass.>>> Dette er normalt og ikke en feil.

Produktet lager lyd som ligner blåsende vind.

- Produktet bruker en vifte til kjøleprosessen. Dette er normalt og ikke en feil.

Det er kondens i de innvendige veggene til produktet.

- Varmt eller fuktig vær vil føre til ising eller kondens. Dette er normalt og ikke en feil.
- Dørene ble åpnet ofte eller ble holdt åpne i lange perioder. >>> Ikke åpne dørene for ofte. Lukk døren hvis den er åpen.
- Døren står kanskje på gløtt. >>> Lukk døren fullstendig.

Det er kondens på utsiden av produktet eller mellom dørene.

- Omgivelsens vær kan være fuktig. Dette er ganske vanlig under fuktig vær. >>> Kondensen vil forsvinne når fuktigheten reduseres.

Innsiden lukter ille.

- Produktet rengjøres ikke regelmessig. >>> Rengjør interiøret regelmessig med svamp, varmt vann og kullsyreholdig vann.
- Enkelte holdere og emballasjer kan forårsake lukt. >>> Bruk holdere og emballasje uten lukt.
- Matvarer hadde blitt plassert i utette beholdere. >>> Hold matvarer i forseglede beholdere. Mikroorganismer kan spre seg ut av utette matvarer og føre til dårlig lukt.
- Fjern utgått eller fordervet matt fra produktet.

Døren lukkes ikke.

- Matpakker blokkerer kanskje døren. >>> Omplasser eventuelle gjenstander som blokkerer dørene.
- Produktet står ikke i fullt oppreist stilling på bakken. >>> Juster stativene for å balansere produktet.
- Bakken er ikke i vater eller holdbar. >>> Kontroller at bakken er tilstrekkelig holdbar til at den kan bære produktet.

Grønnsaksskuffen har kjørt seg fast.

- Matvarer kan være i kontakt med den øvre delen av skuffen. >>> Omplasser matvarene i skuffen.



ADVARSEL: Hvis problemet vedvarer etter at du har fulgt instruksjonene i dette avsnittet, må du kontakte forhandleren eller et autorisert servicesenter. Aldri prøv å reparere et produkt som ikke virker selv.

ANSVARSRFRASKRIVELSE/ADVARSEL

Noen (enkle) feil kan håndteres tilstrekkelig av sluttbrukeren uten at det oppstår noe sikkerhetsproblem eller usikker bruk, forutsatt at de utføres innenfor grensene og i samsvar med følgende instruksjoner (se delen "Selvreparasjon").

Derfor, med mindre annet er godkjent i avsnittet "Selvreparasjon" nedenfor, skal reparasjoner rettes til registrerte profesjonelle reparatører for å unngå sikkerhetsproblemer. En registrert profesjonell reparatør er en profesjonell reparatør som har fått tilgang til instruksjonene og reservedelslisten for dette produktet av produsenten i henhold til metodene beskrevet i lovgivning i henhold til direktiv 2009/125/EF.

Midlertid er det kun serviceagenten (dvs. autoriserte profesjonelle reparatører) som du kan nå gjennom telefonnummeret som er oppgitt i brukerhåndboken/ garantikortet eller gjennom din autoriserte forhandler, som kan gi service under garantibetingelsene. Vær derfor oppmerksom på at reparasjoner utført av profesjonelle reparatører (som ikke er autorisert av Beko) vil annullere garantien.

Selvreparasjon

Sluttbrukeren kan utføre selvreparasjon på følgende reservedeler: dørhåndtak, dørhengslar, skuffer, kurver og dørpakninger (en oppdatert liste er også tilgjengelig på support.beko.com fra 1. mars 2021).

For å sikre produktsikkerhet og for å forhindre risiko for alvorlig personskade, skal videre nevnte selvreparasjon gjøres etter instruksjonene i brukerhåndboken for selvreparasjon eller som er tilgjengelige i support.beko.com Av hensyntil egen sikkerhet, trekk ut produktet før du prøver selvreparasjon.

Reparasjon og reparasjonsforsøk av sluttbrukere for deler som ikke er oppført i en slik liste og/eller ikke følger instruksjonene i brukerhåndbøkene for selvreparasjon eller som er tilgjengelige i support.beko.com, kan medføre til sikkerhetsproblemer som ikke kan tilskrives Beko, og vil annullere garantien for produktet.

Derfor anbefales det sterkt at sluttbrukere avstår fra forsøket på å utføre reparasjoner som faller utenfor nevnte liste over reservedeler, og i slike tilfeller kontakter autoriserte profesjonelle reparatører eller registrerte profesjonelle reparatører. Tvert imot, slike forsøk fra sluttbrukere kan forårsake sikkerhetsproblemer og skade produktet og deretter føre til brann, flom, elektrisk stød og alvorlig personskade.

Følgende er eksempler på reparasjoner som må rettes til autoriserte profesjonelle reparatører eller registrerte profesjonelle reparatører: kompressor, kjølekrets, hovedkort, omformerkort, skjermkort osv.

Produsenten/selgeren kan ikke holdes ansvarlig i noe tilfelle der sluttbrukere ikke overholder ovenstående.

Tilgjengeligheten av reservedeler til kjøleskapet du kjøpte er 10 år. I løpet av denne perioden vil originale reservedeler være tilgjengelige for å betjene kjøleskapet riktig.

Minste garantiperiode for kjøleskapet du kjøpte er 24 måneder.

Dette produktet er utstyrt med en lyskilde i energiklassen "G".

Lyskilden i dette produktet skal bare erstattes av profesjonelle reparatører.

Lue tämä käyttöopas ensin!

Hyvä asiakas,

toivomme, että nykyaikaisissa tuotantolaitoksissa valmistamamme ja erittäin huolellisella laadunvalvonnalla tarkastettu tuote toimii käytössäsi mahdollisimman tehokkaasti.

Tämän varmistamiseksi toivomme, että luet huolellisesti koko käyttöoppaan ennen jääkaapin käyttöön ottoa, ja säilytät sitä helposti saatavilla tulevaa käyttöä varten.





Tämä käyttöopas






- Auttaa käyttämään jääkaappia nopeasti ja turvallisesti.
- Lue käyttöopas ennen jääkaapin asennusta ja käyttöä.
- Noudata ohjeita, erityisesti niitä, jotka koskevat turvallisuutta.
- Säilytä käyttöopasta helposti saatavilla olevassa paikassa, sillä voit tarvita sitä myöhemmin.
- Lue myös muut tuotteen mukana tulleet asiakirjat.

Huomaa, että tämä käyttöopas voi soveltua myös muihin malleihin.

Symbolit ja niiden kuvaus

Tässä käyttöoppaassa käytetään seuraavia symboleja:

-  Tärkeitä tietoja tai hyödyllisiä käyttövihjeitä.
-  Varoitus hengelle ja omaisuudelle vaarallisista olosuhteista.
-  Varoitus sähköjännitteestä.
-  Varoitus: Tulipalovaara / syttyviä materiaaleja

 TIETOJA	
 	Tuotetietokantaan tallennetut mallitiedot löytyvät seuraavalta verkkosivulta etsimällä tuotetunnuksella (*), joka löytyy energiakilvestä.
SUPPLIER'S NAME 	MODEL IDENTIFIER (*) 
https://eprel.ec.europa.eu/	

1. Turvallisuutta ja ympäristöä koskevia ohjeita	4
1.1. Yleiset turvallisuusohjeet	4
1.1.1 HC-varoitus	5
1.1.2 Mallit, joissa on vedenannostelija	5
1.2. Käyttötarkoitus	5
1.3. Lasten turvallisuus	6
1.4. WEEE-direktiivin noudattaminen ja jätteiden hävittäminen	6
1.5. Yhdenmukaisuus RoHS-direktiivin kanssa	6
1.6. Pakkauksen tiedot	6
2 Jääkaappi	7
3 Asennus	8
3.1. Oikea asennuspaikka	8
3.2. Muovikiilojen kiinnittäminen	8
3.3. Jalustan säätäminen	8
3.4. Virtaliitäntä	9
4 Esivalmistelut	10
4.1. Ohjeita energian säästämiseksi	10
4.2. Ensimmäinen käyttökerta	10
5 Jääkaapin käyttö	12
6 Huolto ja puhdistus	16
6.1. Hajujen ehkäisy	16
6.2. Muovipintojen suojaaminen	16
7 Vianetsintä	17

Tämä osio sisältää tarvittavat turvallisuusohjeet vammojen ja materiaalien vahinkojen välttämiseksi. Näiden ohjeiden noudattamatta jättäminen mitätöi tuotetakuun.

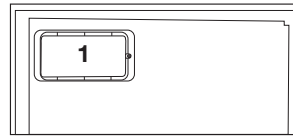
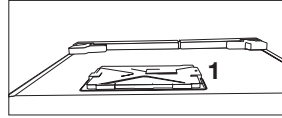
Käyttötarkoitus

- Tämä tuote on suunniteltu
- sisätiloihin ja suljettuihin tiloihin kuten koteihin,
- suljettuihin työskentely-ympäristöihin, kuten myymälöihin ja toimistoihin,
- suljettuihin majoitustiloihin kuten maataloille, hoteleihin ja pensioaatteihin.
- Tuotetta ei saa käyttää ulkona.

1.1. Yleiset turvallisuusohjeet

- Tätä laitetta ei ole tarkoitettu sellaisten henkilöiden (mukaan lukien lapset) käyttöön, joiden fyysiset, sensoriset tai henkiset kyvyt eivät ole riittäviä tai joilta puuttuu kokemusta ja tietoa laitteen käyttämiseksi, ellei heitä ohjata vastuullisen henkilön toimesta. Lapset eivät saa leikkiä tämän laitteen kanssa.
- Jos laitteessa ilmenee toimintahäiriö, irrota laite virtalähteestä.
- Irrotettuasi laitteen virtalähteestä, odota vähintään 5 minuuttia ennen kuin kytket sen takaisin kiinni virtalähteeseen. Irrota laite virtalähteestä, kun sitä ei käytetä. Älä koske liittimeen märin käsin! Älä irrota laitetta virtalähteestä johdosta vetämällä, vaan tartu aina pistotulppaan.
- Älä kytke pistoketta pistorasiaan, mikäli se on irtonainen.
- Irrota laite virtalähteestä asennuksen, huollon, puhdistuksen ja korjauksen ajaksi.
- Jos tuotetta ei käytetä vähään aikaan, irrota pistoke pistorasiasta ja poista elintarvikkeet sen sisältä.
- Älä käytä höyryä tai höyrytettyjä puhdistusaineita jääkaapin puhdistamiseen tai jään sulattamiseen sen sisältä. Höyry voi päästä sähköistetyille alueille ja aiheuttaa oikosulun tai sähköiskun!

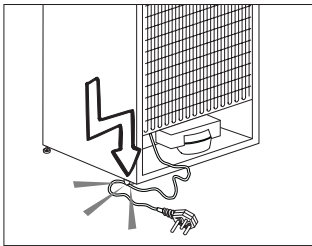
- Älä pese laitetta suihkuttamalla tai kaatamalla vettä sen päälle! Sähköiskun vaara!
- Älä koskaan käytä tuotetta jos osa tuotteen edessä tai takana, missä elektroninen piirilevy sijaitsee on auki (elektronisen piirilevyn suojus) (1).



- Jos laitteessa ilmenee vikoja, sitä ei tule käyttää sähköiskuvaaran vuoksi. Ota yhteyttä valtuutettuun huoltopisteeseen ennen mitään toimenpiteitä.
- Liitä laite maadoitettuun pistorasiaan. Maadoitus tulee suorittaa valtuutetun sähköasentajan toimesta.
- Jos tuotteessa on LED-valot, ota yhteyttä valtuutettuun huoltopisteeseen niiden vaihtamiseksi tai mikäli niissä ilmenee häiriöitä.
- Älä koske pakastettuun ruokaan märin käsin! Se voi tarttua kiinni käsiisi!
- Älä aseta nesteitä sisältäviä pulloja tai tölkkejä pakastelokeroon. Ne voivat roiskua ulos!
- Aseta nesteet jääkaappiin pystyasennossa suljettuasi ensin korkit tiukasti kiinni.
- **VAROITUS:** Varmista laitteen sijoittamisen aikana, että virtajohto ei ole puristuksissa tai vioittunut.
- **VAROITUS:** Älä sijoita useaa pistorasiaa tai siirrettäviä virtalähteitä laitteen taakse.
- Älä suihkuta helposti syttyviä aineita tuotteen lähellä, koska se saattaa syttyä tuleen tai räjähtää.
- Älä säilytä herkästi syttyviä materiaaleja ja syttyviä kaasuja (spray-pulloja yms.) sisältäviä tuotteita jääkaapissa.

Turvallisuutta ja ympäristöä koskevia ohjeita

- Älä aseta nesteitä sisältäviä astioita laitteen päälle. Sähköiselle osalle osuva roiskuva vesi voi aiheuttaa sähköiskun ja tulipalon vaaran.
- Laitteen altistuminen sateelle, lumelle, auringonvalolle tai tuulelle aiheuttaa sähköisen vaaran. Älä siirrä laitetta ovenkahvasta vetämällä. Kahva saattaa irrota.
- Varo, ettei kätesi tai muu vartalonosasi joudu puristuksiin laitteen sisällä olevien liikkuvien osien väliin.
- Älä nojaa tai astu oven, vetimien tai jääkaapin muiden vastaavien osien päälle. Tämä voi aiheuttaa laitteen kaatumisen ja osien vaurioitumisen.
- Varo, ettet astu virtajohdon päälle.



1.1.1 HC-varoitus

Mikäli laitteessa on jäähdytysjärjestelmä, joka käyttää R600a-kaasua, varo vahingoittamasta jäähdytysjärjestelmää ja sen putkea käyttäessäsi ja siirtäessäsi sitä. Tämä kaasu on helposti syttyvää. Jos jäähdytysjärjestelmä on vahingoittunut, pidä laite etäällä herkästi syttyvistä aineista ja tuuleta huone heti.



Sisäpuolella, vasemmalla olevassa merkissä on ilmoitettu laitteen käyttämän kaasun tyyppi.

1.1.2 Mallit, joissa on vedenannostelija

- Kylmän veden tulopaineen tulee olla enintään 90 psi (6,2 baria). Mikäli vedenpaine ylittää 80 psi (5,5 baria), käytä vesijohtojärjestelmässä paineenrajoitusventtiiliä. Mikäli et tiedä, miten vedenpaine mitataan, pyydä apua putkiasentajalta.
- Mikäli järjestelmässäsi on paineiskun vaara, käytä asennuksessa paineiskunestolaitetta. Kysy neuvoa putkiasentajalta, mikäli et tiedä, liittyykö järjestelmäsi paineiskun vaara.
- Älä asenna kuuman veden tuloon. Suorita putkien jäätyminen estämiseksi tarvittavat varotoimet. Käytettävän veden lämpötilan tulee olla vähintään 0,6 °C ja enintään 38 °C.
- Käytä vain juomavettä.

1.2. Käyttötarkoitus

- Tämä tuote on tarkoitettu kotitalouskäyttöön. Sitä ei ole tarkoitettu kaupalliseen käyttöön.
- Tuotetta tulee käyttää vain elintarvikkeiden varastointiin.
- Älä säilytä jääkaapissa herkkiä tuotteita, jotka vaativat säädelyä lämpötilaa (rokotteet, lämpöherkät lääkkeiden, lääkeaineet jne.).
- Valmistaja ei vastaa mistään vahingoista, jotka ovat aiheutuneet laitteen virheellisestä tai varomattomasta käsittelystä.
- Alkuperäiset varaosat toimitetaan 10 vuotta ostopäivämäärästä laskettuna.

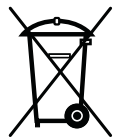
Turvallisuutta ja ympäristöä koskevia ohjeita

1.3. Lasten turvallisuus

- Säilytä pakkausmateriaalit lasten ulottumattomissa.
- Älä anna lasten leikkiä laitteella.
- Jos tuotteen ovessa on lukko, säilytä avain lasten ulottumattomissa.

1.4. WEEE-direktiivin noudattaminen ja jätteiden hävittäminen

Tämä tuote täyttää EU:n WEEE-direktiivissä (2012/19 /EU) asetetut vaatimukset. Tässä tuotteessa on sen sähkö- ja elektroniikkalaiteromuluokan (WEEE) ilmaiseva symboli.



Tämä tuote on valmistettu laadukkaista osista ja materiaaleista, jotka voidaan käyttää uudelleen ja ne soveltuvat kierrätykseen. Älä hävitä käytöstä poistettua laitetta kotitalousjätteen ja muun jätteen seassa. Toimita

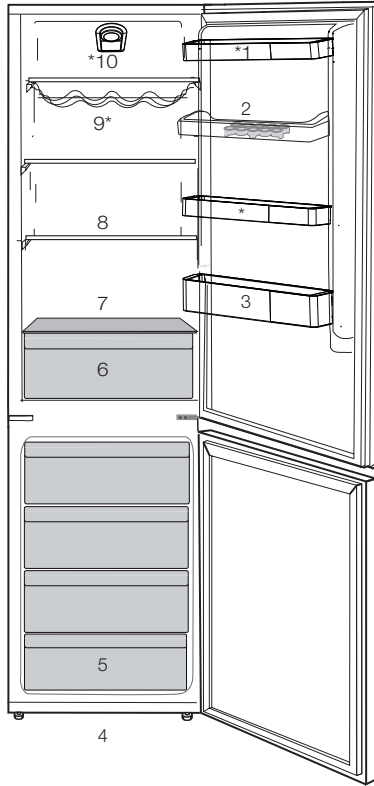
se sähkö- ja elektroniikkalaitteiden keräyspisteeseen. Lisätietoja keräyspisteistä saat paikallisilta viranomaisilta.

1.5. Yhdenmukaisuus RoHS-direktiivin kanssa

- Tämä tuote täyttää EU:n WEEE-direktiivissä (2011/65 /EU) asetetut vaatimukset. Se ei sisällä direktiivissä määriteltyjä haitallisia ja kiellettyjä aineita.

1.6. Pakkauksen tiedot

- Tuotteen pakkausmateriaalit on valmistettu kierrätettävistä materiaaleista kansallisten ympäristösäädösten mukaisesti. Älä hävitä pakkausmateriaaleja kotitalousjätteiden tai muiden jätteiden seassa. Toimita ne paikallisten viranomaisten nimeämään pakkausmateriaalien keräyspisteeseen.



- | | |
|---------------------------------|---------------------------|
| 1. Ovihylly | 7. Vihanneslokeroon Kansi |
| 2. Munakotelot | 8. Viinikellari |
| 3. Pullohylly | 9. Tuuletin |
| 4. Säädettävät Jalat | 10. Termostaatin nuppi |
| 5. Pakastelokero | |
| 6. JäähdytyslokeroCrisper cover | |

***Ei ehkä saatavissa kaikissa malleissa**



Tämän käyttöohjeen kuvat ovat viitteellisiä, eivätkä välttämättä vastaa täysin tuotettasi. Mikäli tuotteesi ei sisällä joitakin osia, tiedot koskevat muita malleja.

3.1. Oikea asennuspaikka

Ota yhteyttä valtuutettuun asentajaan tuotteen asentamiseksi. Suorita asennusta varten tarvittavat esivalmistelut käyttöohjeessa kuvatulla tavalla, ja varmista sähkön- ja vedensaanti. Ota tarvittaessa yhteys putkiasentajaan ja sähköasentajaan järjestääksesi tarvittavan sähkön- ja vedensaannin.



VAROITUS: Valmistaja ei vastaa mistään vahingoista, jotka ovat aiheutuneet valtuuttamattomien henkilöiden suorittamista töistä.



VAROITUS: Laitteen virtajohto tulee irrottaa virtalähteestä asennuksen ajaksi. Tämän ohjeen noudattamatta jättäminen voi aiheuttaa hengenvaaran tai vakavia vammoja.



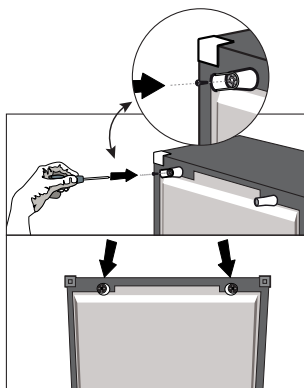
VAROITUS: Jos oviaukko on liian kapea laitetta varten, irrota ovi ja käännä laite sivuttain; jos tämä ei onnistu, ota yhteyttä valtuutettuun huoltoliikkeeseen.

- Sijoita tuote tasaiselle alustalle tärinän välttämiseksi.
- Aseta tuote vähintään 30 cm:n päähän lämmittimestä, liedestä ja vastaavista lämmönlähteistä sekä vähintään 5 cm:n päähän lämpöpattereista.
- Älä altista laitetta suoralle auringonvalolle tai säilytä sitä kosteissa paikoissa.
- Tuote vaatii riittävän ilmanvaihdon toimiakseen tehokkaasti.
- Jos laite sijoitetaan alkoviini, muista jättää vähintään 5 cm väli laitteen ja katon sekä seinien väliin.
- Älä asenna tuotetta paikassa, jossa lämpötila on alle $-5\text{ }^{\circ}\text{C}$.

3.2. Muovikiilojen kiinnittäminen

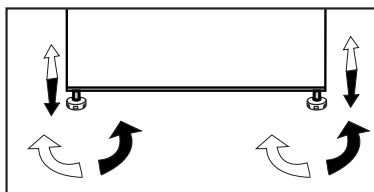
Käytä mukana tulleita muovisia kiiloja varmistamaan, että laitteen ympärille jää tarpeeksi tilaa, jotta ilma pääsee kiertämään tuotteen ja seinän välissä.

1. Kiinnittääksesi kiilat, irrota tuotteesta olevat ruuvit ja käytä kiilojen mukana tulleita ruuveja.
2. Kiinnitä 2 muovikiilaa kuvassa osoitetulla tavalla.



3.3. Jalustan säätäminen

Jos tuote ei ole tasapainossa, säädä etuosan säädettäviä jalkoja kiertämällä niitä oikealle tai vasemmalle.



Asennus

3.4. Virtaliitäntä



VAROITUS: Älä käytä virtaliitännässä jatkojohtoja.



VAROITUS: Vaurioitunut virtajohto tulee vaihtaa valtuutetun huoltoliikkeen toimesta.



Kun asetat kaksi jäädytintä vierekkäin, jätä niiden väliin vähintään 4 cm.

- Yrityksemme ei ota vastuuta vahingoista, jotka ovat aiheutuneet laitteen käytöstä ilman maadoitusta ja virtaliitäntää, jotka täyttävät kansallisissa säädöksissä asetetut vaatimukset.
- Virtapistokkeen on oltava helposti ulottuvilla asennuksen jälkeen.
- Liitä jääkaappi maadoitettuun pistorasiaan, josta saadaan 220-240 V/50 Hz jännite. Pistokkeessa tulee olla 10-16 A sulake.
- Älä käytä pistorasian ja jääkapin välissä minkäänlaista jatkojohtoa.



Varoitus kuumista pinnoista
Tuotteen sivuseinät on varustettu kylmäainaputkilla jäädytysjärjestelmän parantamiseksi. Kylmäaine korkealla lämpötilalla voi virrata näillä alueilla, mikä johtaa kuumii sivuseinien pintoihin. Tämä on normaalia eikä vaadi huoltoa. Ole varovainen koskiessasi näihin alueisiin.

4.1. Ohjeita energian säästämiseksi



Tuotteen liittäminen elektroniseen virransäästöjärjestelmään on haitallista, sillä se saattaa vahingoittaa laitetta.

- Älä pidä jääkaapin ovia auki pitkiä aikoja.
- Älä aseta kuumaa ruokaa tai juomia jääkaappiin.
- Älä ylitäytä jääkaappia, sillä tällöin sisäinen ilmavirtaus estyy ja jääkaapin jäähdysteho heikkenee.
- Jotta voisit asettaa maksimimäärän elintarvikkeita jääkaapin viilennysosastoon, voit irrottaa ylälaatikot ja asettaa ne lasihyllylle. Jääkaapin ilmoitettu virrankulutus on mitattu irrottamalla viilennys-, jääpala-astia ja ylälaatikot jotta jääkaappiin mahtuisi mahdollisimman paljon elintarvikkeita. Alalaatikon käyttäminen elintarvikkeiden säilömiseen on erittäin suositeltavaa. Energiansäästötoiminto tulee asettaa päälle energiankulutuksen minimoimiseksi.
- Älä aseta elintarvikkeita viilennysuulettimen eteen jotta et tukkisi siitä tulevaa ilmavirtaa. Tuuletinta suojaavan ritilän ja elintarvikkeiden väliin tulee jättää vähintään 3cm verran tyhjää tilaa.
- Laitteen ominaisuuksista riippuen, jäisten elintarvikkeiden sulatus jäähdystylokerossa varmistaa virransäästön ja säilyttää ruoan laadun.
- Elintarvikkeet tulee säilöä käyttäen viilennysosaston laatikoita energiankulutuksen minimoimiseksi sekä elintarvikkeiden parempaa säilömistä varten.
- Elintarvikkepakkausten ei tule olla suorassa kosketuksessa viilennysosaston lämpötilanturin kanssa. Jos näin pääsee käymään, laitteen energiankulutus voi lisääntyä.
- Varmista, että elintarvikkeet eivät ole kosketuksissa jäähdystylokeron lämpöanturin kanssa alla kuvatulla tavalla.

4.2. Ensimmäinen käyttökerta

Ennen jääkaapin käyttämistä, varmista että kaikki esivalmistelut on suoritettu kohdissa "Turvallisuutta ja ympäristöä koskevat ohjeet" ja "Asennus" kuvatulla tavalla.

- Anna jääkaapin olla päällä 6 tunnin ajan tyhjänä äläkä avaa ovea, jos se ei ole aivan välttämätöntä.



Laitteesta kuuluu varoitusäänimerkki, kun kompressori on päällä. On täysin normaalia, että ääni kuuluu vaikkei kompressori olisikaan päällä. Tämä johtuu siitä, että jäähdystysjärjestelmässä on kompressoituja nesteitä ja kaasuja.



Laitteen etureunat saattavat lämmetä. Tämä on normaalia. Näiden alueiden on tarkoitus lämmitä kondensaation estämiseksi.

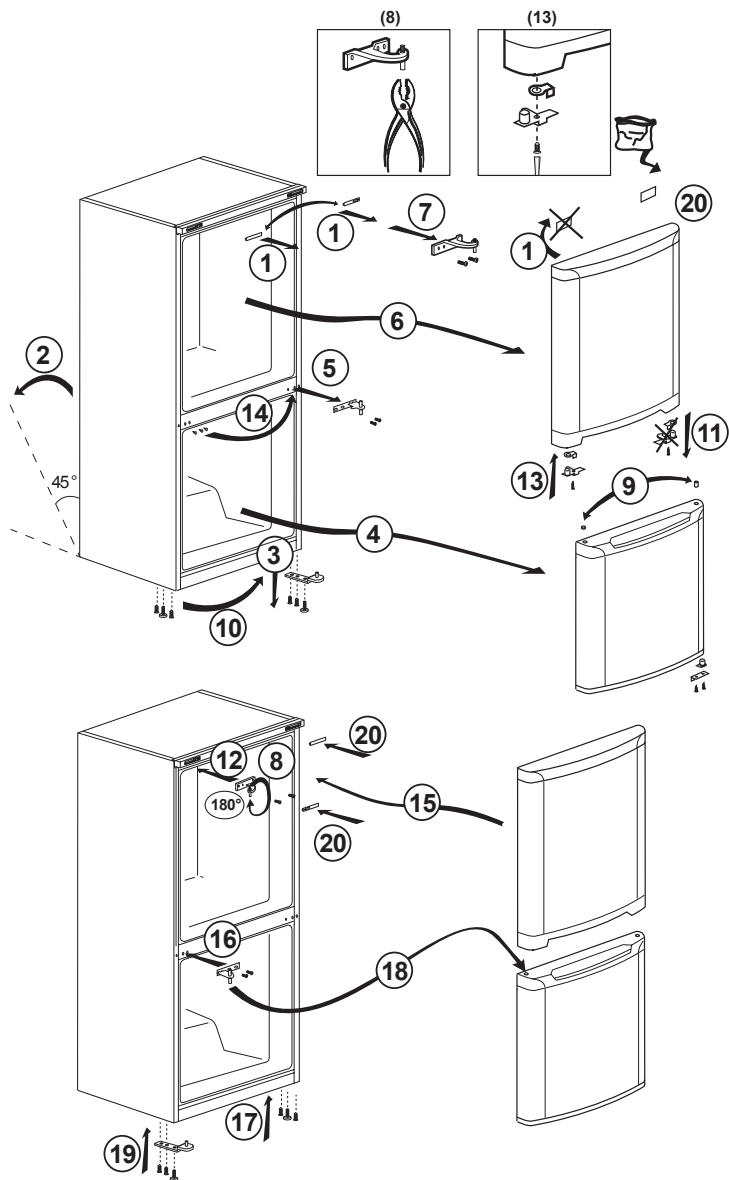


Joissakin malleissa merkivalopaneeli sammuu automaattisesti 5 minuutin kuluttua oven sulkemisesta. Se käynnistyy automaattisesti jos jääkaapin ovi avataan tai jotakin painiketta painetaan.

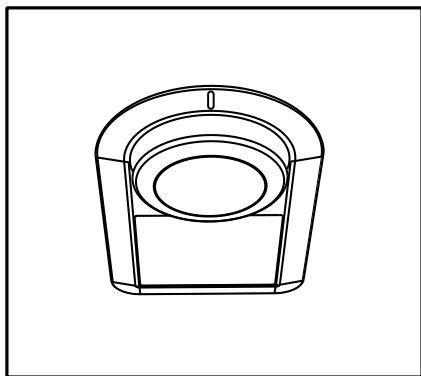
- Koska lämmin ja kostea ilma ei pääse tuotteen sisälle, kun ovia ei avata, tuotteen toiminta optimoidaan silloin siten, että ruoan laatu säilyy riittävän hyvänä. Toiminnot ja komponentit, kuten kompressori, tuuletin, lämmitin, sulatus, valaistus ja näyttö, toimivat silloin tarpeen mukaan, jotta tuotteen energiankulutus olisi mahdollisimman alhainen.

Ovien uudelleen sijoitus

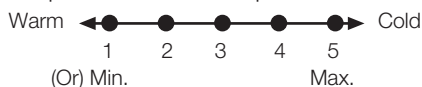
Etene numerjärjestyksessä



5 Jääkaapin käyttö



Käyttölämpötilaa säädetään lämpötilasäätimellä.



0 = Järjestelmän jäähditys on sammutettu.

1 = Alin jäähdytysasetus (lämpimin asetus).

5 = Ylin jäähdytysasetus (kylmin asetus).

Jääkaapin keskilämpötilan tulee olla noin $+5^{\circ}\text{C}$.

Aseta asetus halutun lämpötilan mukaan.

Huomaa, että jäähdytysalueella on eri lämpötiloja.

Kylmin alue on välittömästi vihanneslokeron yläpuolella.

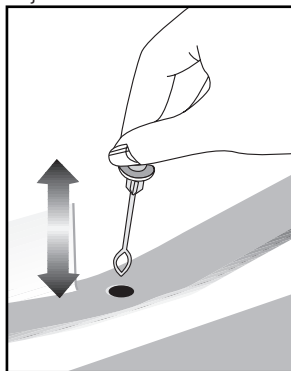
Sisälämpötila riippuu myös ympäröivästä lämpötilasta, oven avaamistiheydestä ja laitteessa olevien ruokien määrästä.

Oven jatkuva avaaminen aiheuttaa sisälämpötilan nousun.

Tästä syystä suositellaan, että ovi suljetaan välittömästi käytön jälkeen.

Jääkaapin sisälämpötila muuttuu seuraavista syistä:

- Vuodenaikojen vaihtelut,
- Oven toistuva avaaminen ja oven auki jättäminen pitkäksi aikaa,
- Jääkaappiin on asetettu ruokaa, antamatta ruoan jäähtyä ensin huoneenlämpöiseksi
- Jääkaapin sijainti huoneillassa (esim. altistuu auringonvalolle).
- Näistä syistä aiheutuvia sisälämpötilan muutoksia voi säädellä termostaatin avulla. Termostaatin ympärillä olevat luvut ilmaisevat jäähdytysasteet.
- Sulatuksesta muodostunut vesi valuu veden keräyskourun kautta tyjennysputkeen ja haihduttimeen ja haihtuu itseksään.



Tuotteen käyttö

Jäähdytys

Ruokien säilytys

Jääkaappiosasto on tarkoitettu tuoreiden ruokien ja juomien lyhytaikaiseen säilytykseen. Säilytä maitotuotteet niille tarkoitettussa osassa jäähdytys-/jääkaappia.

Pullot voidaan säilyttää pullonpidikkeissä tai oven pullohyllyllä.

Raaka liha säilyy parhaiten muovikääreessä aivan jääkaapin alaosassa.

Anna kuumien ruokien ja juomien jäähtyä huonelämpötilassa, ennen kuin laitat ne jääviileä-/jääkaappiin.

- Huomio

Säilytä alkoholijuomia ainoastaan pystyasennossa ja tiukasti suljettuna.

- Huomio

Älä koskaan säilytä laitteessa tuotteita, jotka sisältävät syttyviä ponnekaasuja (spraypurkit, kermasuihkeet jne.). Ne aiheuttavat räjähdysvaaran.

Elintarvikkeiden sijoittaminen

Kananmunalokero	Kanamunat
Jääkaappiosaston tasot	Ruokaa pannuissa, lautasilla, suljetuissa astioissa
Jääkaappilokeron ovihyllyt	Pienet ja pakatut elintarvikkeet tai juomat (kuten maito, hedelmämehu ja olut)
Vihanneslokero	Vihannekset ja hedelmät

Laitteen sulattaminen

Jääkaappiosasto sulattaa itsensä automaattisesti. Sulatusvesi poistuu poistoputkea pitkin laitteen takana olevaan keräysastiaan. Haihduttimen vuoksi jääkaapin takaosaan voi kertyä vesipisaroita sulatuksen aikana. Jos kaikki vesi ei valu keräysastiaan, se saattaa jäätyä. Pyyhi vesipisarot sulatuksen jälkeen lämpimään veteen kastetulla liinalla, ei kovalla tai terävällä esineellä. Tarkasta sulatusveden kulku ajoittain. Se saattaa joskus tukkeutua.

Tuotteen käyttö

Ovi auki -varoitus

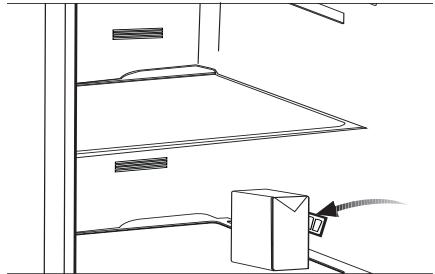
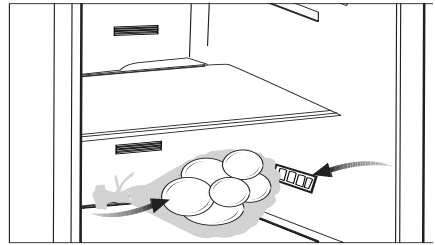
Varoitusäänimerkki kuuluu, kun pakastimen ovi jää auki tietyksi aikaa. Varoitusäänimerkki mykistetään, kun jotain osoittimen painiketta painetaan tai kun ovi suljetaan.

Oven avaussuunnan vaihtaminen

Jääkaapin oven avaussuunnan voi vaihtaa sen mukaan missä paikassa käytät sitä. Jos haluat, että oven avaussuuntaa muutetaan, soita lähimpään valtuutettuun huoltoon.

Suosituksset tuoreruokaosastolle *VALINNAINEN

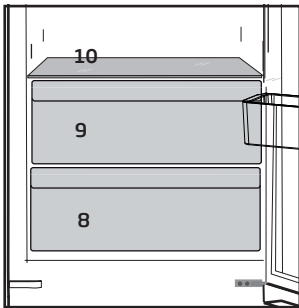
- Älä anna elintarvikkeiden joutua kosketuksiin tuoreruokaosaston lämpötila-anturin kanssa. Jotta tuoreruokaosaston lämpötila pysyy säilytykselle sopivana, anturia ei saa tukkia elintarvikkeilla.
- Älä laita kuumaa ruokaa laitteeseen.



Tuotteen käyttö

Maitotuotteiden (kylmäsäilytys) lokero” tarjoaa

Alemman lämpötilan jääkaappilokeron sisällä. Käytä tätä lokeroa einesten (salami, makkarat, maitotuotteet jne.) säilytykseen, jotka vaativat alemman säilytyslämpötilan tai välittömästi kulutettavien liha-, kana- tai kalatuotteiden säilytykseen. Älä säilytä hedelmiä tai vihanneksia tässä lokerossa.



6 Huolto ja puhdistus

Tuotteen säännöllinen puhdistus pidentää sen käyttöikää.



VAROITUS: Irrota jääkaappi virtalähteestä ennen sen puhdistamista.

- Älä käytä puhdistamiseen teräviä ja hankaavia työkaluja, saippuaa, puhdistusaineita, kaasua, bensiiniä, lakkaa tai muita vastaavia aineita.
- Jos tuote ei ole itesesulattavaa mallia, jääkaappiosaston takaseinään saattaa muodostua vesipisaroihin ja enintään sormenleveyden paksuinen jääkerros. Älä puhdista tai koskaan käytä öljyä tai muita samankaltaisia aineita laitteen takaseinän puhdistamiseen.
- Käytä ainoastaan hieman kosteaa mikrokuituliinaa laitteen ulkopinnan puhdistamiseen. Sienet ja muuntyyppiset puhdistusliinat voivat naarmuttaa laitteen pintaa.
- Liuota veteen teelusikallinen karbonaattia. Kostuta liina vedessä ja purista siitä liika vesi.. Pyyhi laite liinalla ja kuivaa huolellisesti.
- Pidä huoli, ettei vettä joudu lampun suojalle tai muihin sähköisiin osiin.
- Puhdista ovi märällä liinalla. Poista jääkaapin sisältä kaikki tavarat irrottaaksesi oven ja hyllyt. Irrota hyllyt nostamalla. Puhdista ja kuivaa hyllyt ja kiinnitä ne takaisin liu'uttamalla ne paikalleen ylhäältä alaspäin.
- Älä käytä kloorattua vettä tai puhdistusaineita ulkopintojen ja kromattujen osien puhdistukseen. Kloori saa metalliosat ruostumaan.
- Älä käytä teräviä tai hankaavia työkaluja tai saippuaa, kodin puhdistusaineita, pesuaineita, bensaa, bentseenia, vahaa jne. muuten muoviosissa olevat merkinnät lähtevät irti ja osat voivat muuttaa muotoaan. Käytä puhdistamiseen lämmintä vettä sekä pehmeää liinaa ja kuivaa laite sen jälkeen.

6.1. Hajujen ehkäisy

Tuote on valmistettu hajuttomista materiaaleista. Elintarvikkeiden säilyttäminen väärällä tavalla ja riittämätön puhdistus saattaa kuitenkin johtaa hajujen kehittymiseen.

Jotta näin ei kävisi, puhdista sisäpuoli hiilhihapotetulla vedellä 15 päivän välein.

- Pidä ruoka suljetuissa astioissa. Mikro-organismit voivat levitä sulkemattomista asioista ja aiheuttaa hajuja.
- Älä säilytä jääkaapissa vanhentuneita ja pilaantuneita elintarvikkeita.

6.2. Muovipintojen suojaaminen

Öljyroiskeet tulee puhdistaa muovipinnoilta välittömästi, sillä ne saattavat vahingoittaa niitä.

Tarkista tämä lista, ennen kuin otat yhteyttä huoltopisteeseen. Näin säästät sekä aikaa että rahaa. Tämä luettelo sisältää yleisiä ongelmatilanteita, jotka eivät liity valmistusvirheisiin tai virheellisiin materiaaleihin. Tiedyt tässä mainitut ominaisuudet, eivät ehkä koske sinun tuotettasi.

Jääkaappi ei toimi.

Virtapistoke ei ole kunnolla pistorasiassa. >>>

Aseta virtapistoke kunnolla pistorasiaan.

Pistorasiaan liittyvä sulake tai pääsulake on palanut. >>> Tarkista sulakkeet.

Kosteuden tiivistyminen viileäkaapin sivuseiniin (MULTI ZONE, COOL, CONTROL ja FLEXI ZONE).

Ovi avataan liian usein >>> varo, ettet avaa laitteen ovea liian usein.

Ympäristö on liian kostea Älä asenna tuotetta kosteisiin tiloihin.

Nesteitä sisältävät ruoat ovat avonaisissa astioissa. >>> Nesteitä sisältävät ruoat tulee säilyttää suljetuissa astioissa.

Laitteen ovi on jätetty auki. >>> Älä pidä jääkaapin ovea auki pitkiä aikoja.

Termostaatti on asetettu liian alhaiseen lämpötilaan. >>> Aseta termostaatti asianmukaiseen lämpötilaan.

Kompressor ei toimi.

Äkillisen virtakatkoksen yhteydessä tai vedettäessä virtapistoke pistokkeesta ja asetettaessa se jälleen takaisin, kaasupaine tuotteen jäähditysjärjestelmässä ei ole tasapainossa, mikä laukaisee kompressorin turvakatkaisijan. Tuote käynnistyy tämän jälkeen noin 6 minuutin kuluttua. Jos laite ei käynnisty uudelleen tämän ajan kuluttua, ota yhteyttä valtuutettuun huoltoliikkeeseen.

Sulatus on käynnissä. >>> Tämä on normaalia täysautomaattiselle sulatuslaitteelle. Sulatus suoritetaan tietyin väliajoin.

Laitetta ei ole kytketty verkkovirtaan. >>>

Varmista, että virtapistoke on pistorasiassa.

Lämpötilan asetus on virheellinen. >>> Valitse asianmukainen lämpötila-asetus.

Virtaa ei ole saatavilla. >>> Laitteen toiminta jatkuu normaalisti, kun virta palautuu.

Jääkaapin muodostama ääni lisääntyy käytön aikana.

Laitteen toiminta voi vaihdella ympäristön lämpötilan vaihteluista riippuen. Tämä on normaalia, eikä kyseessä ole laitteen toimintahäiriö.

Vianetsintä

Jääkaappi käy liian usein tai liian pitkään.

- Uusi laite voi olla aikaisempaa suurempi. Suuremmat laitteet käyvät pidempiä aikoja.
- Huoneenlämpötila saattaa olla liian korkea. >>> Laite käy normaalisti kauemmin korkeammassa huoneenlämpötilassa.
- Laite on mahdollisesti äskettäin kytketty verkkovirtaan tai sen sisälle on laitettu uusi elintarvike. Laitteelta kestää kauemmin saavuttaa asetettu lämpötila, mikäli pistoke on äskettäin kytketty pistorasiaan tai jääkaappiin on asetettu uusi elintarvike. Tämä on normaalia.
- Laitteeseen on asetettu äskettäin suuria määriä kuumia elintarvikkeita. >>> Älä aseta kuumaa ruokaa jääkaappiin.
- Ovia on avattu usein tai niitä on pidetty kauan auki. >>> Laite käy kauemmin sen sisällä liikkuvan lämpimän ilman vuoksi. Älä avaa ovea liian usein.
- Pakastimen tai jäähdyttimen ovi saattaa olla raollaan. >>> Tarkista, että kaikki ovet on suljettu hyvin.
- Laitteen lämpötila on saatettu asettaa liian alhaiseksi. >>> Aseta korkeampi lämpötila ja odota, että laite saavuttaa asetetun lämpötilan.
- Jääkaapin tai pakastimen oven tiiviste saattaa olla likainen, kulunut, rikki tai pois paikaltaan. >>> Puhdista tai vaihda tiiviste. Mikäli tiiviste on vaurioitunut, laite saattaa käydä kauemmin pitääkseen yllä valitun lämpötilan.

Pakastimen lämpötila on hyvin alhainen, mutta viileäkaapin lämpötila on riittävä.

- Pakastelokeron lämpötila on säädetty hyvin alhaiseksi. >>> Aseta pakastelokeron lämpötila korkeammaksi ja tarkista uudelleen.

Viileäkaapin lämpötila on matala, mutta pakastimen lämpötila on riittävä.

- Viileäkaapin lämpötila on säädetty hyvin alhaiseksi. >>> Aseta viileäkaapin lämpötila korkeammaksi ja tarkista uudelleen.

Viileäkaapissa pidetyt elintarvikkeet ovat jäässä.

- Viileäkaapin lämpötila on säädetty hyvin alhaiseksi. >>> Aseta pakastelokeron lämpötila korkeammaksi ja tarkista uudelleen.

Viileäkaapin tai pakastelokeron lämpötila on liian korkea.

- Viileäkaapin lämpötila on säädetty hyvin korkeaksi. >> Viileäkaapin lämpötila-asetus vaikuttaa pakastelokeron lämpötilaan. Vaihda jäähdyttimen tai pakastimessa matkustamon lämpötilaa ja odota kunnes osastojen avata säätää tehon tasolle.
- Ovia on avattu usein tai niitä on pidetty kauan auki. >>> Älä avaa ovea liian usein.
- Ovi saattaa olla rikki. >>> Sulje ovi kunnolla.
- Laite on mahdollisesti äskettäin kytketty verkkovirtaan tai sen sisälle on laitettu uusi elintarvike. >>> Tämä on normaalia. Laitteelta kestää kauemmin saavuttaa asetettu lämpötila, mikäli pistoke on äskettäin kytketty pistorasiaan tai jääkaappiin on asetettu uusi elintarvike.
- Laitteeseen on asetettu äskettäin suuria määriä kuumia elintarvikkeita. >>> Älä aseta kuumaa ruokaa jääkaappiin.

Tärinä tai ääni

- Alusta ei ole tasainen. Jos tuote tärisee, kun sitä liikutetaan hitaasti, säädä jalustaa laitteen tasapainottamiseksi. Varmista myös, että alusta kannattaa laitteen.
- Laitteen päälle asetetut esineet saattavat aiheuttaa ääniä. >>> Poista kaikki laitteen päälle asetetut esineet.

Vianetsintä

Laitteesta kuuluu läikkyvän tai suihkuavan nesteen muodostamaa ääntä.

- Tuotteen toiminta perustuu nesteen ja kaasun virtaukseen. >>> Tämä on normaalia, eikä kyseessä ole laitteen toimintahäiriö.

Laitteesta kuuluu puhaltavan tuulen ääni.

- Laite käyttää jäähdytykseen tuuletinta. Tämä on normaalia, eikä kyseessä ole laitteen toimintahäiriö.

Laitteen sisäseinissä on kondensoitunutta kosteutta.

- Kuuma ja kostea sää lisää jäätymistä ja kondensaatiota. Tämä on normaalia, eikä kyseessä ole laitteen toimintahäiriö.
- Ovia on avattu usein tai niitä on pidetty kauan auki. >>> Älä avaa ovia liian usein, Mikäli ovi on auki, sulje se.
- Ovi saattaa olla rikki. >>> Sulje ovi kunnolla.

Laitteen ulkopinnoissa tai ovien välissä on tiivistynyttä kosteutta.

- Käyttöympäristön ilma saattaa olla kosteaa, tämä on normaalia kostealla säällä. >>> Tiivistynyt höyry haihtuu, kun kosteus vähenee.

Laitteen sisäpuoli haisee pahalta.

- Laitetta ei ole puhdistettu säännöllisesti. >>> Puhdista laitteen sisäpuoli säännöllisesti sienellä, lämpimällä vedellä ja hiilihapotetulla vedellä.
- Joistakin asioista ja pakkausmateriaaleista lähtee hajua. >>> Käytä hajuttomia astioita ja pakkausmateriaaleja.
- Elintarvikkeita ei ole säilytetty suljetuissa astioissa. >>> Säilytä ruoka suljetuissa astioissa. Mikro-organismit voivat levitä sulkemattomista asioista ja aiheuttaa hajuja.
- Poista vanhentuneet tai pilaantuneet elintarvikkeet.

Ovi ei sulkeudu.

- Elintarvikepakkaukset saattavat estää ovea sulkeutumasta. >>> Tarkista, estääkö jokin pakkaus ovea sulkeutumasta.
- Laite ole alustallaan täysin pystysuorassa asennossa. >>> Säädä jalvoja tasapainottaaksesi laitteen.
- Alusta ei ole tasainen. >>> Varmista, että alusta on tasainen ja että se kantaa laitteen painon.

Vihanneslaatikko on juuttunut.

- Elintarvikkeet saattavat koskettaa vetolaatikon yläosaa. >>> Tarkista, miten elintarvikkeet ovat laatikossa.

Jos Tuotteen Pinta On Kuuma.

- Korkeat lämpötilat voidaan havaita kahden oven välillä, sivupaneeleissa ja takaritilässä laitteen ollessa käytössä. Tämä on normaalia eikä vaadi huoltotoimenpiteitä! Ole varovainen joutuessasi kosketuksiin näiden alueiden kanssa.



VAROITUS: Mikäli ongelma ei ratkea tässä osiossa annettuja ohjeita noudattaen, ota yhteyttä valtuutettuun huoltopisteeseen. Älä yritä korjata tuotetta itse.

VASTUUVAPAUCLAUSEKE / VAROITUS

Loppukäyttäjä voi suorittaa joitakin (yksinkertaisia) korjauksia ilman turvallisuusongelmia tai käyttöturvallisuuden heikkenemistä, olettaen, että ne suoritetaan rajoitusten ja seuraavien ohjeiden mukaan (katso osa "Itsekorjaus").

Siksi, jos osassa "Itsekorjaus" ei ole muuta todettu, korjaukset on luovutettava rekisteröidylle ammattimaiselle asentajalle turvallisuusongelmien välttämiseksi. Rekisteröity ammattimainen asentaja on henkilö, jolla on pääsy tämän tuotteen valmistajan ohjeisiin ja varaosaluetteloon, direktiivin 2009/125/EC mukaan kuvattujen menetelmien mukaisesti.

Mutta vain huoltoedustaja (ts. valtuutettu ammattimainen asentaja), johon voit ottaa yhteyden käyttöohjeessa/takuukortissa olevasta puhelinnumerosta tai valtuutetun jälleenmyyjän kautta, joka suorittaa korjaukset takuuehtojen mukaisesti. Huomaa siksi, että ammattimaisen asentajan suorittamat korjaukset (joita Beko ei ole valtuuttanut), mitätöi takuun.

Itsekorjaus

Loppukäyttäjä voi suorittaa itsekorjaukset seuraavien varaosien kohdalla: ovenkahvat, oven saranat, hyllyt, korit ja oven tiivisteet (päivitetty luettelo on myös saatavissa osoitteessa support.beko.com 1. maaliskuuta 2021 lähtien

Tämän lisäksi on tuoteturvallisuuden varmistamiseksi ja vakavien henkilövahinkojen välttämiseksi mainitut itsekorjaukset suoritettava käyttöohjeessa tai osoitteessa support.beko.com olevien itsekorjausta koskevien ohjeiden mukaan. Irrota laite virransyötöstä ennen korjausten aloittamista.

Loppukäyttäjän suorittamat korjaukset tai korjausyritykset osille, joita ei ole mainittu kyseisessä luettelossa ja/tai käyttöohjeessa tai osoitteessa support.beko.com olevien itsekorjausohjeiden laiminlyöminen, voi johtaa turvallisuusongelmiin Beko hallinnan ulkopuolella ja voi mitätöidä tuotteen takuun.

Siksi suosittelemme, että loppukäyttäjät välttävät korjausten suorittamista, joita ei ole mainittu varaosaluettelossa, vaan ottavat yhteyden valtuutettuun tai rekisteröityyn ammattimaiseen asentajaan. Toisaalta nämä loppukäyttäjän suorittamat korjausyritykset voivat johtaa turvallisuusongelmiin ja tuotevaurioihin ja aiheuttaa tulipalon, tulvan, sähköiskun ja vakavaan henkilövahinkoon.

Esimerkkinä, mutta ei rajoittuen näihin, seuraavat korjaukset on luovutettava valtuutetulle tai rekisteröidylle ammattimaiselle asentajalle: kompressori, jäähdytyspiiri, pääpiirilevy, invertterilevy, näyttökortti jne.

Valmistajaa/myyjää ei voida pitää vastuussa, mikäli loppukäyttäjä ei noudata yllä mainittuja ohjeita.

Varaosat ovat saatavissa ostamaasi jääkaapin 10 vuoden ajan.

Tämän aikana, varaosat ovat saatavissa jääkaapin toiminnan varmistamiseksi.

Ostamasi jääkaapin minimitakuuaika on 24 kuukautta.

Tämä tuote on varustettu "G" energialuokan valolähteellä.

Tuotteen valolähteen saa suorittaa vain ammattitaitoinen asentaja.