

EN

DA

Fi

NO

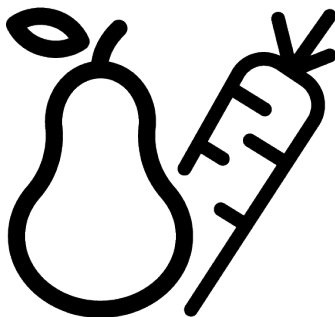
beko

Refrigerator / User Manual

Køleskab / Brugervejledning

Jääkaappi / Käyttöopas

Kjøleskap / Brukerhåndbok



B1RMLNE444W1

58 9998 5900/ EN/ DA/ Fi/ NO/ 1/2_AA/ 23/11/23 10:04
7278340510



Please read this manual first!

Dear Customer

Please read this manual before using the product.

Thank you for choosing this Beko product. We would like you to achieve the optimal efficiency from this high quality product which has been manufactured with state of the art technology. To do this, carefully read this manual and any other documentation provided before using the product and keep it as a reference.

Heed all information and warnings in the user manual. This way, you will protect yourself and your product against the dangers that may occur.

Keep the user manual. Include this manual with the unit if you hand it over to someone else.

The following symbols are used in the user manual:



Hazard that may result in death or injury.



Important information or useful tips on operation.





Read the user manual.



Combustible material, warning against fire hazard.

NOTICE A hazard that may cause material damage to the product or its surroundings

| | |
|--|--|
|   SUPPLIER'S NAME MODEL IDENTIFIER → (*)   | <p>The model information as stored in the product data base can be reached by entering following website and searching for your model identifier (*) found on energy label.</p> <p>https://eprel.ec.europa.eu/</p> |
|--|--|

| | | |
|----------|---|-----------|
| 1 | Safety Instructions..... | 4 |
| 1.1 | Intention of Use | 4 |
| 1.2 | Safety of Children, Vulnerable Persons and Pets | 4 |
| 1.3 | Electrical Safety..... | 5 |
| 1.4 | Handling Safety | 5 |
| 1.5 | Installation Safety..... | 6 |
| 1.6 | Operational Safety..... | 8 |
| 1.7 | Food Storage Safety..... | 10 |
| 1.8 | Maintenance and Cleaning Safety | 11 |
| 1.9 | Disposal of the Old Product..... | 12 |
| 2 | Environmental Instructions..... | 12 |
| 2.1 | Compliance with the WEEE Dir- ective and Disposing of the Waste Product | 12 |
| 3 | Your Refrigerator | 13 |
| 4 | Installation | 13 |
| 4.1 | Right Place For Installation..... | 14 |
| 4.2 | Electrical Connection | 14 |
| 4.3 | Attaching the Plastic Wedges | 14 |
| 4.4 | Adjusting the Legs..... | 15 |
| 4.5 | Installation of the Cooler and Freezer Products Side-by-side..... | 15 |
| 4.6 | Hot Surface Warning | 15 |
| 5 | Preparation..... | 16 |
| 5.1 | What To Do For Energy Saving | 16 |
| 5.2 | First Use | 16 |
| 5.3 | Climate Class and Definitions | 17 |
| 6 | Operating the Product..... | 17 |
| 7 | Use of Your Appliance..... | 17 |
| 7.1 | Control Panel of the Product | 17 |
| 7.2 | Storing Food in the Cooler Com- partment..... | 18 |
| 7.3 | Crisper | 19 |
| 7.4 | Reversing the Door Opening Side. | 19 |
| 7.5 | Door Open Alert | 19 |
| 7.6 | Replacing the Illumination Lamp.. | 20 |
| 7.7 | AeroFlow | 20 |
| 8 | Maintenance and Cleaning | 20 |
| 9 | Troubleshooting..... | 21 |

1 Safety Instructions

- This section includes the safety instructions necessary to prevent the risk of personal injury or material damage.
- Our company shall not be held responsible for damages that may occur if these instructions are not observed.



Always have installation and repair operations performed by manufacturer, authorized service or a person who will be described by importer company.



Use original spare parts and accessories only.



Do not repair or replace any component of the product unless it is clearly specified in the user manual.



Do not perform any modifications on the product.

1.1 Intention of Use

- This product is not suitable for commercial use and should not be used for a purpose other than its intended use.
- This product is intended for operating interiors, such as households or similar.

For example;

In the staff kitchens of the stores, offices and other working environments,

In farm houses,
In the units of hotels, motels or other resting facilities that are used by the customers,
In hostels, or similar environments,
In catering services and similar non-retail applications.

- This product shall not be used in open or enclosed external environments such as vessels, camper vans, balconies or terraces. Exposing the product to rain, snow, sunlight and wind may cause risk of fire.



1.2 Safety of Children, Vulnerable Persons and Pets

- This product may be used by children aged 8 years and older and persons with underdeveloped physical, sensory or mental capabilities or lack of experience and knowledge if they are being supervised or have been given instruction concerning use of the appliance in a safe way and the hazards involved.
- Children between 3 and 8 years are allowed to put and take out food into/from the cooler product.

- Children and pets must not play with, climb on, or get inside the product.
- Children and pets must be kept away from the cabin area (compressor) where electrical parts are located.
- Cleaning and user maintenance must not be performed by children unless there is someone overseeing them.
- Keep the packaging materials away from children. Risk of injury and suffocation.
- Portable multi-plugs or portable power supplies may overheat and cause fire. Thus, do not have a multi-plug, portable power sources behind or in the vicinity of the product.
- Do not plug the product's power cord in a loose or damaged power outlet. These types of connections may overheat and cause fire.
- The plug shall be easily accessible. If this is not possible, a mechanism that meets the electrical legislation and that disconnects all terminals from the mains (fuse, switch, main switch, etc.) shall be available on the electrical installation.

1.3 Electrical Safety

- The product shall not be plugged into the outlet during installation, maintenance, cleaning, repair, and transportation operations.
- If the power cable is damaged, it shall only be replaced by authorized service to avoid any risks that may occur.
- Do not tuck the power cable under the product or to the rear of the product. Do not put heavy items on the power cable. The power cable should not be bent, crushed, and come into contact with any heat source.
- Do not use an extension cord, multi-plug or adaptor to operate your product.
- Do not use the product when your feet are bare or your body is wet.
- Do not touch the plug with wet hands.
- When unplugging the appliance, don't hold the power cord, but the plug.

1.4 Handling Safety

- Make sure to unplug the appliance before carrying the product.

- This product is heavy, do not handle it by yourself. Injuries may occur if the product falls on you. Do not bump into places or drop the product while transporting it.
- Always close the doors and do not hold the product by its doors while transporting it.
- Be careful not to damage the cooling system and the pipes while handling the product. Do not operate the product if the pipes are damaged, and contact an authorized service.
- Check for any damage on the product before installing it. Do not have the product installed if it is damaged.
- Always use personal protective equipment (gloves, etc.) during product installation, maintenance and repair. Risk of Injury!
- Place the product on a clean, level and hard surface and balance it with the adjustable legs (by rotating the front feet to the right or left). Otherwise, the refrigerator may tip over and cause injuries.

1.5 Installation Safety

- Contact the Authorized Service for the product's installation. To prepare the product for use, see the information in the user manual and make sure the electric and water utilities are as required. If not, call a qualified electrician and plumber to arrange the utilities as necessary. Failure to do so may result in electric shock, fire, problems with the product, or injury.
- This product is designed for use at a maximum altitude of 2000 metres above sea level.
- Keep children away from installation area.
- The product shall be installed in a dry and ventilated environment. Do not keep carpets, rugs or similar covers under the product. This may cause risk of fire as a result of inadequate ventilation!
- Do not block or cover ventilation holes. Otherwise, power consumption increases and your product may be damaged.
- When placing the product, make sure that the supply cable is not damaged or pinched.
- The product must not be connected to supply systems and power sources which may cause sudden voltage changes (i.e. a portable solar-energy power source). Otherwise,

damage to your product may occur as a result of the abrupt voltage fluctuations!

- The more refrigerant a refrigerator contains, the bigger its installation room shall be. In very small rooms, a flammable gas-air mixture may occur in case of a gas leak in the cooling system. At least 1 m³ of volume is required for each 8 grams of refrigerant. The amount of the refrigerant available in your product is specified in the Type Label.
- The product must never be placed in such a way that power cables, the metal hose of the gas stove, metal gas or water pipes come into contact with the product's rear wall (or the condenser).
- The installation place of the product must not be exposed to direct sunlight and it shall not be in the vicinity of a heat source such as stoves, radiators, etc. If you cannot prevent installation of the product in the vicinity of a heat source, use a suitable insulation plate and make sure the minimum distance to the heat source is as specified below:
 - At least 30 cm away from heat sources such as stoves, ovens, heating units and heaters, etc.,
 - And at least 5 cm away from electrical ovens.
- Your product has the protection class of I.
- Plug the product in a grounded socket that conforms with the Voltage, Current and Frequency values specified in the type label. The socket must have a 10A – 16A fuse. Our firm will not assume responsibility for any damages due to usage without earthing and without power connection in compliance with local and national regulations.
- The product's power cable must be unplugged during installation. Otherwise, risk of electric shock and injury may occur!
- Do not plug the product's power cord in loose, dislocated, broken, dirty, oily power outlets which have a risk of water contact. These types of connections may cause overheating and fire.
- Place the power cable and hoses (if any) of the product so that they shall not cause a risk of tripping over.

- Penetration of humidity and liquid to live parts or to the power cord may cause short circuit. Thus, do not use the product in humid environments or in areas where water may splash (e.g. garage, laundry room, etc.) If the refrigerator is wet by water, unplug it and contact an authorized service.
- Do not ever connect your refrigerator to power saving devices. These systems are harmful for the product.
- There is a risk of contact with electrical parts when removing the electronic board cover and the compressor rear cover (if fitted). Do not remove the electronic board cover and the compressor rear cover (if fitted). There is a risk of electrocution!
- Do not place a source of flame (e.g. candles, cigarettes, etc.) on the product or in the vicinity of it.
- Do not get on the product. Risk of falling and injury!
- Do not cause damage to the pipes of the cooling system using sharp and piercing tools. The refrigerant that sprays out in case of puncturing the gas pipes, pipe extensions or upper surface coatings may cause irritation of skin and injury to the eyes.
- Do not place and operate electrical appliances inside the refrigerator/freezer unless it is advised by the manufacturer.
- Do not jam any parts of your hands or your body to the moving parts inside the product. Be careful to prevent jamming of your fingers between the refrigerator and its door. Be careful while opening or closing the door if there are children around.
- Do not put ice cream, ice cubes or frozen food to your mouth as soon as you take them out of the freezer. Risk of frostbite!

1.6 Operational Safety

- Do not ever use chemical solvents on the product. These materials contain an explosion risk.
- In case of a failure of the product, unplug it and do not operate until it is repaired by the authorized service. There is a risk of electric shock!

- Do not touch the inner walls, metal parts of the freezer or food kept inside the freezer with wet hands. Risk of frost-bite!
- Do not place soda cans or cans and bottles that contain fluids that may be frozen to the freezer compartment. Cans or bottles may explode. Risk of injury and material damage!
- Do not use or place materials sensitive against temperature such as flammable sprays, flammable objects, dry ice or other chemical agents in the vicinity of the refrigerator. Risk of fire and explosion!
- Do not store explosive materials such as aerosol cans with flammable materials inside the product.
- Do not place cans containing fluids over the product an open state. Splashing of water on an electrical part may cause an electric shock or a fire.
- Due to risk of breaking, do not store glass containers with liquid inside in the freezer compartment.
- This product is not intended for storage and cooling of medicines, blood plasma, laboratory preparations or similar materials and products that are subject to the Medical Products Directive.
- If the product is used against its intended purpose, it may cause damage to or deterioration of the products stored inside.
- If your refrigerator is equipped with blue light, do not look at this light with optical devices. Do not stare directly at UV LED light for a long time. Ultraviolet rays may cause eye strain.
- Do not fill the product with more contents than its capacity. Injuries or damages may occur if the contents of the refrigerator fall when the door is opened. Similar problems may also occur when an object is placed over the product.
- Ensure that you have removed any ice or water that may have fallen to the floor to prevent injuries.
- Change the locations of the racks/bottle racks on the door of your refrigerator only when the racks are empty. Danger of injury!
- Do not place objects that may fall/tip over on the product. These objects may fall while opening or closing the door and cause injuries and/or material damages.

- Do not hit or exert excessive pressure on glass surfaces. Broken glass may cause injuries and/or material damages.
- The cooling system in your product contains R600a refrigerant. The refrigerant type used in the product is specified in the type label. This gas is flammable. Therefore, be careful not to damage the cooling system and the pipes while operating the product. In case of damage to the pipes;
 1. Do not touch the product or the power cable.
 2. Keep the product away from potential sources of fire that may cause the product to catch fire.
 3. Ventilate the area where the product is placed. Do not use a fan.
 4. Contact Authorized Service.
 If the product is damaged and you observe gas leak, please stay away from the gas. Gas may cause frostbite if it contacts your skin.
 Before disposing of old products that shall not be used any more:
 1. Unplug the power cord from the mains socket.
 2. Cut the power cable and remove it from the appliance together with the plug.
- 3. Do not remove the racks and drawers from the product to prevent children from getting inside the appliance.
- 4. Remove the doors.
- 5. Store the product so that it shall not be tipped over.
- 6. Do not allow children to play with the scrapped product.
- Do not dispose of the product by throwing it into fire. Risk of explosion.
- If there is a lock available on the product's door, keep the key out of children's reach.

1.7 Food Storage Safety

Please pay attention to the following warnings to avoid food spoilage:

- Leaving the doors open for a long time may cause the temperature inside the product to rise.
- Regularly clean the accessible drainage systems in contact with food.
- Clean the water tanks that have not been used for 48 hours and mains-fed water systems that have not been used for more than 5 days.
- Store raw meat and fish products in appropriate compartments within the product.

Thus, it does not drip on or come into contact with other foods.

- Two-star freezer compartments are used for storing pre-filled foods, making and storing ice and ice cream.
- One, two and three-star compartments are not appropriate for freezing fresh food.
- If the cooling product has been left empty for a long time, turn off the product, defrost, clean, and dry the product in order to protect the housing of the product.

1.8 Maintenance and Cleaning Safety

- Unplug the refrigerator before cleaning it or starting to perform maintenance.
- Do not pull by the door handle if you shall move the product for cleaning purposes. Handle may cause injuries if it is pulled too hard.
- Do not put your hands etc. under the refrigerator. Jamming may occur or any sharp edge may cause personal injuries.
- Do not clean the product by spraying or pouring water on the product and inside the product. Risk of electric shock and fire.
- When cleaning the product, do not use sharp and abrasive tools or household cleaning agents, detergent, gas, gasoline, thinner, alcohol, varnish, and similar substances. Use only cleaning and maintenance agents that are not harmful for food inside the product.
- Do not ever use steam or steamed cleaning materials for cleaning the product and thawing the ice inside it. Steam contacts the live areas in your refrigerator and causes short circuit or electric shock.
- Do not use any mechanical tools or any other tools than the recommendations of the manufacturer to speed up the defrost operation.
- Take care to keep water away from the ventilation holes, electronic circuits or lighting of the product.
- Use a clean, dry cloth to wipe the dust or foreign material on the tips of the plugs. Do not use a wet or damp piece of cloth to clean the plug. Otherwise, risk of fire or electric shock may occur.

1.9 Disposal of the Old Product

When disposing of your old product follow the instructions below:

- To prevent children from accidentally locking themselves into the product, if there is door lock, disable it.
- Splash of coolant is harmful to the eyes. Do not damage any part of the cooling system while disposing of the product.

- It may be fatal if the compressor oil is swallowed or if it penetrates the respiratory tract.
- Cooling system of your product includes R600a gas as specified in the type label. This gas is flammable. Do not dispose of the product by throwing it into fire. Risk of explosion!
- C-Pentane is used as a blowing agent in insulation foam and it is a flammable substance. Do not dispose of the product by throwing it into fire.

2 Environmental Instructions

2.1 Compliance with the WEEE Directive and Disposing of the Waste Product



This product complies with EU WEEE Directive (2012/19/EU). This product bears a classification symbol for waste electrical and electronic equipment (WEEE).

This symbol indicates that this product shall not be disposed with other household wastes at the end of its service life. Used device must be returned to official collection point for recycling of electrical and electronic devices. To find these collection systems please contact to your local authorities or retailer where the product was purchased. Each household performs important role in recovering and recycling of old appliance. Appropriate disposal of used

appliance helps prevent potential negative consequences for the environment and human health.

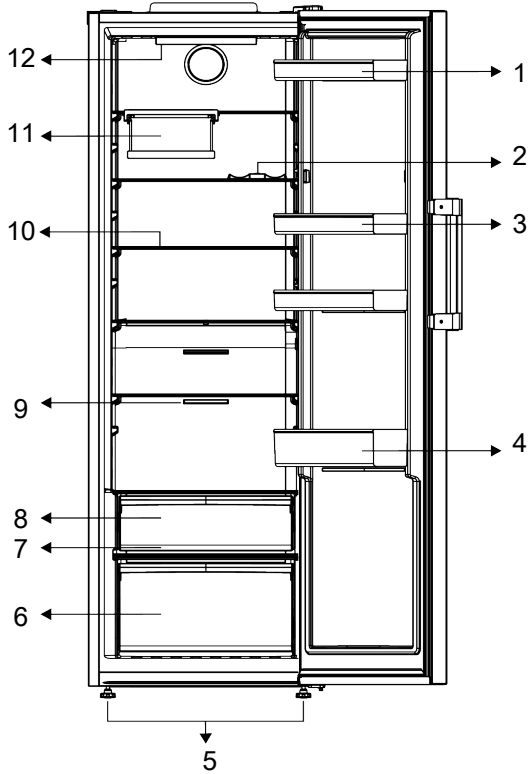
Compliance with RoHS Directive

The product you have purchased complies with EU RoHS Directive (2011/65/EU). It does not contain harmful and prohibited materials specified in the Directive.



Package information


Packaging materials of the product are manufactured from recyclable materials in accordance with our National Environment Regulations. Do not dispose of the packaging materials together with the domestic or other wastes. Take them to the packaging material collection points designated by the local authorities.



- 1 Egg holder
- 2 * Bottle Shelf
- 3 Adjustable Shelves
- 4 Adjustable Door Shelf
- 5 Adjustable Front Legs
- 6 Crisper
- 7 * Everfresh
- 8 * Cold Storage Compartment
- 9 Fan
- 10 Adjustable Shelves
- 11 * Foldable Wine Rack
- 12 * Illumination Lamp

***Optional:** Figures in this user manual are schematic and may not exactly match your product. If your product does not comprise the relevant parts, the information pertains to other models.

4 Installation

 Read the "Safety Instructions" section first!

4.1 Right Place For Installation

Contact the Authorized Service for the product's installation. To prepare the product for installation, see the information in the user manual and make sure the electric and water utilities are as required. If not, call an electrician and plumber to arrange the utilities as necessary.



WARNING:

The manufacturer assumes no responsibility for any damages caused by the work carried out by unauthorized persons.



WARNING:

The product's power cable must be unplugged during installation. Failure to do so may result in death or serious injuries!



WARNING:

If the door span is too narrow for the product to pass, remove the door and turn the product sideways; if this does not work, contact the authorized service.

- Place the product on a flat surface to avoid vibration.
- Place the product at least 30 cm away from the heater, stove and similar sources of heat and at least 5 cm away from electric ovens.
- Do not expose the product to direct sunlight or keep it in damp environments.
- Your product requires adequate air circulation to function efficiently. If the product will be placed in an alcove, remember to leave at least 5 cm clearance between the product and the ceiling, rear wall and the side walls.
- Check if the rear wall clearance protection component is present at its location (if provided with the product).
- If the component is not available, or if it is lost or fallen, position the product so that at least 5 cm clearance shall be left between the rear surface of the product

and the wall of the room. The clearance at the rear is important for efficient operation of the product.

4.2 Electrical Connection



Do not use extension or multi sockets in power connection.



Damaged power cable must be replaced by Authorized Service.



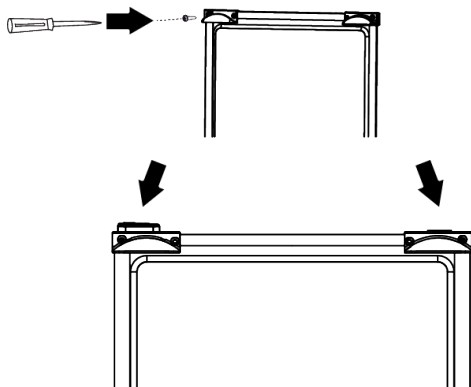
When placing two coolers in adjacent position, leave at least 4 cm distance between the two units.

- Our firm will not assume responsibility for any damages due to usage without earthing and power connection in compliance with national regulations.
- The power cable plug must be easily accessible after installation.
- Do not use multi-group plug with or without extension cable between the wall socket and the refrigerator.

4.3 Attaching the Plastic Wedges

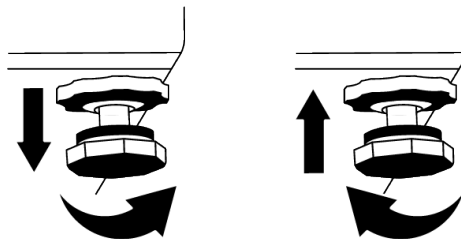
Use the plastic wedges provided with the product to maintain sufficient space for air circulation between the product and the wall.

1. To attach the wedges, remove the screws on the product and use the screws provided with the wedges.
2. Attach 2 plastic wedges on the ventilation cover as shown in the figure.



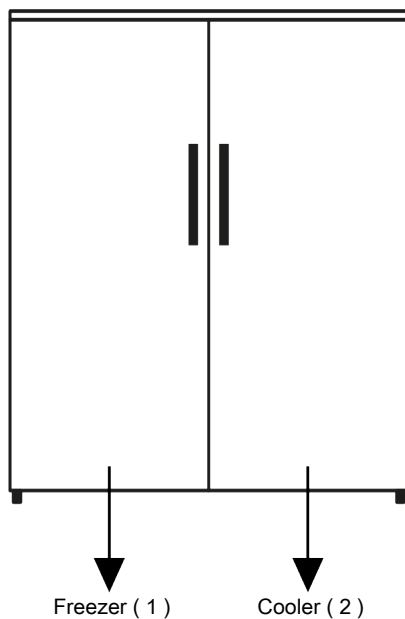
4.4 Adjusting the Legs

If the product is not in balanced position, adjust the front adjustable legs by rotating them to right or left.



4.5 Installation of the Cooler and Freezer Products Side-by-side

When the freezer and cooler products are installed side by side, the installation should be performed so that the freezer product (1) will be on the left and the cooler product (2) will be on the right. To prevent sweating problems that might occur between products, anti-condensation elements are located on the left side of the cooler product.



4.6 Hot Surface Warning

The side walls of your product are equipped with cooler pipes to enhance the cooling system. High pressure fluid may flow

through these surfaces, and cause hot surfaces on the side walls. This is normal and it does not require servicing. Be careful when you contact these areas.

5 Preparation



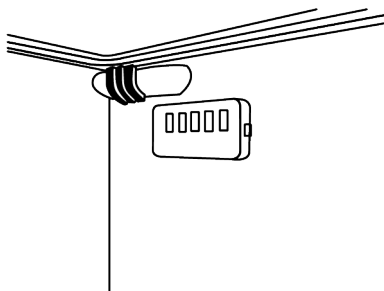
Read the "Safety Instructions" section first!

5.1 What To Do For Energy Saving



Connecting the product to electronic energy-saving systems is harmful, as it may damage the product.

- This refrigerating appliance is not intended to be used as a built in appliance.
- Do not keep the refrigerator doors open for long periods.
- Do not place hot food or beverages into the refrigerator.
- Do not overfill the refrigerator; blocking the internal air flow will reduce cooling capacity.
- Since hot and humid air will not directly penetrate into your product when the doors are not opened, your product will optimize itself in conditions sufficient to protect your food. Under these circumstances, functions and components such as compressor, fan, heater, defrost, lighting, display and so on will operate according to the needs by consuming minimum energy.
- In case that multiple options are present, glass shelves must be placed so that the air outlets at the rear wall are not blocked and preferably, in a way that air outlets remain below the glass shelf. This combination may help improving air distribution and energy efficiency.
- Using the below drawer when storing is strongly recommended.
- Make sure the foods are not in contact with the cooler compartment temperature sensor described below.



- If they are in contact with the sensor, energy consumption of the appliance might increase
- Food shall be stored using the drawers in the cooler compartment in order to ensure energy saving and protect food in better conditions.

5.2 First Use

Before using your refrigerator, make sure the necessary preparations are made in line with the instructions in "Safety and Environmental Instructions" and "Installation" sections.

- Keep the product running without placing any food inside for 6 hours and do not open the door, unless absolutely necessary.
- The temperature change caused by opening and closing of the door while using the product may normally lead to condensation on door/body shelves and glassware placed in the product.



A sound will be heard when the compressor is engaged. It is normal for the product to make noise even if the compressor is not running, as fluid and gas may be compressed in the cooling system.



It is normal for the front edges of the refrigerator to be warm. These areas are designed to warm up in order to prevent condensation.



For some models, indicator panel turns off automatically 1 minute after the door closes. It will be re-activated when the door is opened or any button is pressed.

5.3 Climate Class and Definitions

Please refer to the Climate Class on the rating plate of your device. One of the following information is applicable to your device according to the Climate Class.

- **SN:** Long Term Temperate Climate: This cooling device is designed for use at ambient temperatures between 10 °C and 32 °C.
- **N:** Temperate Climate: This cooling device is designed for use at ambient temperatures between 16°C and 32 °C.
- **ST:** Subtropical Climate: This cooling device is designed for use at ambient temperatures between 16°C and 38°C.
- **T:** Tropical Climate: This cooling device is designed for use at ambient temperatures between 16°C and 43°C.

6 Operating the Product



Read the "Safety Instructions" section first!

- This product is not appropriate for freezing food.
- Do not use any mechanical tools or any other tools than the recommendations of the manufacturer to speed up the defrost operation.
- Do not use parts of your refrigerator such as the door or drawers as a support or a step. This may cause the product to trip over or its components to be damaged.
- The product shall be used for storing food only.

- Turn off the water valve if you will be away from home (e.g. at vacation) and you will not be using the Icematic or the water dispenser for a long period of time. Otherwise, water leaks may occur.

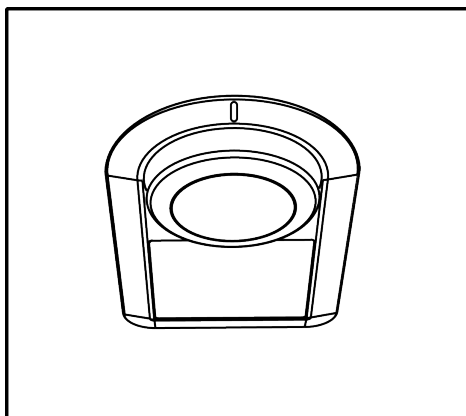
Unplugging the Product

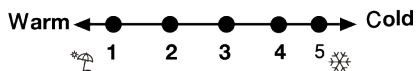
- If you are not going to use the product for a long time, unplug the product from the socket.
- Remove the food to prevent odours,
- Wait for the ice to melt, clean the interior and let it dry, leave the doors open to avoid damaging the inner body plastics.

7 Use of Your Appliance

7.1 Control Panel of the Product

The operating temperature is set by the temperature control.





1=Lowest cooling setting (Warmest setting)

4=Highest cooling setting (Coldest setting)

The average temperature inside the cooler compartment should be around +5°C.

Please select a setting based on the desired temperature.

Please note that there will be different temperatures in the cooling area.

7.2 Storing Food in the Cooler Compartment

- Compartment temperatures rise prominently if compartment door is opened and closed frequently and kept open for a long time, this can reduce the life span of the food and cause the food to spoil.
- In order not to cause odour and taste changes, the food should be stored in the closed containers.
- Do not store too much food in your refrigerator. To achieve a better and homogeneous cooling, place the food separately in a way that cold air can wander through them.
- Provide air flow by leaving a space between the food and internal wall. If you lean the food against the rear wall, the food may freeze.
- Bring cooked hot meals to the room temperature before placing them in the refrigerator. Then, you can place the tepid meal in the lower shelves of your refrigerator. Do not place the tepid meals close to the foods which may easily spoil.
- Defrost your frozen food in the fresh food compartment. Thereby, you can cool fresh food compartment by using frozen food and save energy.
- Storing unripe tropical fruits (mango, melon varieties, papaya, banana, pineapple) in the refrigerator may speed up the ripening process. This is not recommended because it will cause shorter storage time.
- You should store onions, garlands, gingers and other root vegetables in dark and cold room conditions, not in the refrigerator.
- If you notice that a food has spoiled in the refrigerator, throw away that food and clean the accessories which have come into contact with it.
- In order to cool the meals like soups and stews, which are cooked in the large pots, quickly, you can put them in the refrigerator by separating them into their own shallow containers.
- Do not place unpackaged food close to eggs.
- Keep the fruits and vegetables separately and store each variety together (for example; apples with apples, carrots with carrots)
- Take green vegetables out of the plastic bag and place them in the refrigerator after wrapping them in a paper towel or drying cloth. If you wash this type of food before placing them in the refrigerator, remember to dry them.
- You can both create a damp environment and provide an air flow by keeping fruits and vegetables, which are prone to drying, in the perforated or unsealed plastic bags.
- Except the cases where extreme circumstances are available in the environment, if your product (on the recommended set values table) is set to the specified set

The coldest zone is just above the crisper.

The interior temperature also depends on the ambient temperature, how often the door is opened, and the amount of food stored in the refrigerator.

Frequent opening of the door causes the internal temperature to rise.

It is therefore recommended that you close the door as soon as possible after opening it for any reason.

values, the food keep their freshness for a longer time both in the fresh product compartment and freezer compartment.

| Store Foods In The Different Places According To Their Properties: | |
|--|---|
| Food | Location |
| Egg | Door Shelf |
| Dairy products (butter, cheese) | If available, zero degree (for breakfast food) compartment |
| Fruits, vegetables and greenery | Fruit-vegetable compartment, crisper or EverFresh+ compartment (if available) |
| Fresh meat, poultry, fish, sausage etc. Cooked foods | If available, zero degree (for breakfast food) compartment |
| Ready to serve foods, packaged products, canned foods and pickles | Top shelves or door shelf |
| Beverages, bottles, spices and snacks | Door Shelf |

Placing the food

Cooler compartment shelves: Food items inside pots, capped plate and capped cases, eggs (in closed case)

Cooler compartment door shelves: Small and packaged food or beverages

Crisper: Vegetables and fruits

Recommended Set Values Table

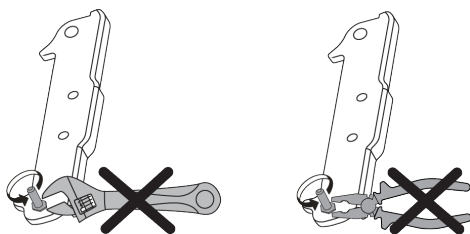
| Fridge Compartment Setting | Remarks |
|----------------------------|--|
| 4 °C | This is the default, recommended setting. This setting is recommended if ambient temperature is below 30 °C. |

7.3 Crisper

The refrigerator's crisper is designed to keep vegetables fresh by preserving their humidity. For this purpose, the overall cold air circulation is intensified in the crisper. Keep fruits and vegetables in this compartment. Keep the green-leaved vegetables and fruits separately to prolong their life.

7.4 Reversing the Door Opening Side

The door opening side of your refrigerator can be reversed according to the place you put it. When you need this, you should definitely call the nearest Authorized Service.



7.5 Door Open Alert

The door open alert system of your refrigerator may differ depending on the model.

Version 1;

If the door of the product remains open for a certain time (between 60 s and 120 s), an audio warning signal sounds; depending on the product model, a visual warning signal (light flash) can also be displayed. If you close the door of the device or press a button on the screen of the device, if any, the warning sound will stop.

Version 2;

If the door of the device remains open for a certain period of time (between 60 s and 120 s), the door open alert is sounded. The door open alert is sounded gradually. First, an audible warning starts to sound. After 4 minutes, if the door is still not closed, a visual warning (lighting flash) is activated. The door open alert will be delayed for a certain period of time (between 60 s and

120 s) when any key on the product screen, if any, is pressed. Then the process will start again. When the device door is closed, the door open alert will be cancelled.

7.6 Replacing the Illumination Lamp

Call the Authorized Service when the Bulb/LED used for lighting in your refrigerator will be replaced.

Lamp(s) used in this appliance cannot be used for house lighting. Intended use of this lamp is to help the user place food into the refrigerator / freezer safely and comfortably.

7.7 AeroFlow

It is an air distribution system that provides homogeneous temperature distribution. With the air circulation, the homogeneous temperature distribution is ensured in the fresh food storage compartment, and the temperature fluctuations are kept at low levels. No direct air blowing over the food is realized and this helps to reduce moisture loss. It preserves the freshness of the food stored in the fresh food compartment of the refrigerator. In this way, your food is stored at more stable temperatures and the contact with air is reduced. The drying and shrinking of foods by losing moisture is prevented and freshness is provided for a longer time.

8 Maintenance and Cleaning



WARNING:

Read the "Safety Instructions" section first.



WARNING:

Unplug the refrigerator before cleaning it.

- Do not use sharp or abrasive tools to clean the product. Do not use materials such as household cleaning agents, soap, detergents, gas, gasoline, thinner, alcohol, wax, etc.
- The dust shall be removed from the ventilation grill on the rear of the product at least once a year (without opening the cover). Clean the product with a dry cloth.
- Take care to keep water away from the lamp's cover and other electrical parts.
- Clean the door with a damp cloth. Remove all contents to remove the door and body racks. Remove the door racks by lifting them upwards. Clean and dry the shelves, then attach back in place by sliding from above.
- Do not use chlorinated water or cleaning products on the exterior surface and chrome-coated parts of the product. Chlorine will cause rust on such metallic surfaces.
- Do not use sharp and abrasive tools, soap, house cleaning materials, detergents, gas, gasoline, varnish and similar substances to prevent deformation of the plastic part and removal of prints on the part. Use warm water and a soft cloth for cleaning, and then dry it.
- On the products without a No-Frost feature, water droplets and icing up to a thickness of a finger may occur on the rear wall of the freezer compartment. Do not clean, and never apply oils or similar materials.
- Use a mildly dampened micro-fibre cloth to clean the external surface of the product. Sponges and other types of cleaning clothes may cause scratches.
- To clean all removable components during the cleaning of the interior surface of the product, wash these components with a mild solution consisting of soap, water and carbonate. Wash and dry thor-

oroughly. Prevent contact of water with illumination components and the control panel.



CAUTION:

Do not use vinegar, rubbing alcohol or other alcohol based cleaning agents on any interior surface.

Stainless Steel External Surfaces

Use a non-abrasive stainless steel cleaning agent and apply it with a soft lint-free cloth. To polish, gently wipe the surface with a micro-fibre cloth dampened with water and use dry polishing chamois. Always follow the veins of the stainless steel.

9 Troubleshooting

Check this list before contacting the service. Doing so will save you time and money. This list includes frequent complaints that are not related to faulty workmanship or materials. Certain features mentioned herein may not apply to your product.

The refrigerator is not working.

- The power plug is not fully settled. >>> Plug it in to settle completely into the socket.
- The fuse connected to the socket powering the product or the main fuse is blown. >>> Check the fuse.

Condensation on the side wall of the cooler compartment (MULTI ZONE, COOL CONTROL and FLEXI ZONE).

- The door is opened too frequently. >>> Take care not to open the product's door too frequently.
- The environment is too humid. >>> Do not install the product in humid environments.
- Foods containing liquids are kept in unsealed holders. >>> Keep the foods containing liquids in sealed holders.

Preventing Odours

The product is manufactured free of any odorous materials. However, keeping the food in inappropriate sections and improper cleaning of internal surfaces may lead to odours.

- To avoid this, clean the inside with carbonated water every 15 days.
- Keep the foods in sealed holders, as micro-organisms arising from foods kept in unsealed containers will cause bad odour.
- Do not keep expired and spoilt foods in the refrigerator.

Protecting Plastic Surfaces

Oil spilled on plastic surfaces may damage the surface and must be cleaned immediately with warm water.

- The product's door is left open. >>> Do not keep the product's door open for long periods.
- The thermostat is set to a very cool temperature. >>> Set the thermostat to an appropriate temperature.

Compressor is not working.

- In case of sudden power failure or pulling the power plug off and putting back on, the gas pressure in the product's cooling system is not balanced, which triggers the compressor thermic safeguard. The product will restart after approximately 6 minutes. If the product does not restart after this period, contact the service.
- Defrosting is active. >>> This is normal for a fully-automatic defrosting product. The defrosting is carried out periodically.
- The product is not plugged in. >>> Make sure the power cord is plugged in.
- The temperature setting is incorrect. >>> Select the appropriate temperature setting.
- The power is out. >>> The product will continue to operate normally once the power is restored.

The refrigerator's operating noise is increasing while in use.

- The product's operating performance may vary depending on the ambient temperature variations. This is normal and not a malfunction.

The refrigerator runs too often or for too long.

- The new product may be larger than the previous one. Larger products will run for longer periods.
- The room temperature may be high. >>> The product will normally run for long periods in higher room temperature.
- The product may have been recently plugged in or a new food item is placed inside. >>> The product will take longer to reach the set temperature when recently plugged in or a new food item is placed inside. This is normal.
- Large quantities of hot food may have been recently placed into the product. >>> Do not place hot food into the product.
- The doors were opened frequently or kept open for long periods. >>> The warm air moving inside will cause the product to run longer. Do not open the doors too frequently.
- The freezer or cooler door may be ajar. >>> Check that the doors are fully closed.
- The product may be set to a temperature that is too low. >>> Set the temperature to a higher degree and wait for the product to reach the adjusted temperature.
- The cooler or freezer door washer may be dirty, worn out, broken or not properly settled. >>> Clean or replace the gasket. Damaged / torn door washer will cause the product to run for longer periods to preserve the current temperature.

The freezer temperature is very low, but the cooler temperature is adequate.

- The freezer compartment temperature is set to a very low degree. >>> Set the freezer compartment temperature to a higher degree and check again.

The cooler temperature is very low, but the freezer temperature is adequate.

- The cooler compartment temperature is set to a very low degree. >>> Set the cooler compartment temperature to a higher degree and check again.

The food items kept in cooler compartment drawers are frozen.

- The cooler compartment temperature is set to a very low degree. >>> Set the cooler compartment temperature to a higher degree and check again.

The temperature in the cooler or the freezer is too high.

- The cooler compartment temperature is set to a very high degree. >>> Temperature setting of the cooler compartment has an effect on the temperature in the freezer compartment. Wait until the temperature of relevant parts reach the sufficient level by changing the temperature of cooler or freezer compartments.
- The doors were opened frequently or kept open for long periods. >>> Do not open the doors too frequently.
- The door may be ajar. >>> Fully close the door.
- The product may have been recently plugged in or a new food item is placed inside. >>> This is normal. The product will take longer to reach the set temperature when recently plugged in or a new food item is placed inside.
- Large quantities of hot food may have been recently placed into the product. >>> Do not place hot food into the product.

Shaking or noise.

- The surface is not flat or durable >>> If the product is shaking when moved slowly, adjust the stands to balance the product. Also make sure the ground is sufficiently durable to bear the product.
- Any items placed on the product may cause noise. >>> Remove any items placed on the product.
- The product is making noise of liquid flowing, spraying etc.

- The product's operating principles involve liquid and gas flows. >>> This is normal and not a malfunction.

There is sound of wind blowing coming from the product.

- The product uses a fan for the cooling process. This is normal and not a malfunction.

There is condensation on the product's internal walls.

- Hot or humid weather will increase icing and condensation. This is normal and not a malfunction.
- The doors were opened frequently or kept open for long periods. >>> Do not open the doors too frequently; if open, close the door.
- The door may be ajar. >>> Fully close the door.

There is condensation on the product's exterior or between the doors.

- The ambient weather may be humid, this is quite normal in humid weather. >>> The condensation will dissipate when the humidity is reduced.

The interior smells bad.

- The product is not cleaned regularly. >>> Clean the interior regularly using sponge, warm water and carbonated water.
- Certain holders and packaging materials may cause odour. >>> Use holders and packaging materials without free of odour.

- The foods were placed in unsealed holders. >>> Keep the foods in sealed holders. Microorganisms may spread out of unsealed food items and cause bad odour.
- Remove any expired or spoiled foods from the product.

The door is not closing.

- Food packages may be blocking the door. >>> Relocate any items blocking the doors.
- The product is not standing in full upright position on the ground. >>> Adjust the stands to balance the product.
- The surface is not flat or durable >>> Make sure the surface is flat and sufficiently durable to bear the product.

The crisper is jammed.

- The food items may be in contact with the upper section of the drawer. >>> Reorganize the food items in the drawer.

Temperature on the product surface.

- High temperature may be observed between two doors, on the side panels and on the rear grill area while your product is operated. This is normal and it does not require servicing.

Fan continues to operate when the door is opened.

- Fan may continue to operate when the freezer door is open.



WARNING: If the problem persists after following the instructions in this section, contact your vendor or an Authorized Service. Do not try to repair the product. This is normal.

DISCLAIMER / WARNING

Some (simple) failures can be adequately handled by the end-user without any safety issue or unsafe use arising, provided that they are carried out within the limits and in accordance with the following instructions (see the "Self-Repair" section).

Therefore, unless otherwise authorized in the "Self-Repair" section below, repairs shall be addressed to registered profes-

sional repairers in order to avoid safety issues. A registered Professional repairer is a professional repairer that has been granted access to the instructions and spare parts list of this product by the manufacturer according to the methods described in legislative acts pursuant to Directive 2009/125/EC.

However, only the service agent (i.e. authorized professional repairers) that you can reach through the phone number given in the user manual/warranty card or through your authorized dealer may provide service under the guarantee terms. Therefore, please be advised that repairs by professional repairers (who are not authorized by) Beko shall void the guarantee.

Self-Repair

Self-repair can be done by the end-user with regard to the following spare parts: door handles, door hinges, trays, baskets and door gaskets (an updated list is also available support.beko.com as of 1st March 2021).

Moreover, to ensure product safety and to prevent risk of serious injury, the mentioned self-repair shall be done following the instructions in the user manual for self-repair or which are available in support.beko.com. For your safety, unplug the product before attempting any self-repair.

Repair and repair attempts by end-users for parts not included in such list and/or not following the instructions in the user manuals for self-repair or which are available in support.beko.com, might give raise to safety issues not attributable to Beko, and will void the warranty of the product.

Therefore, it is highly recommended that end-users refrain from the attempt to carry out repairs falling outside the mentioned list of spare parts, contacting in such cases authorized professional repairers or registered professional repairers. On the contrary, such attempts by end-users may cause safety issues and damage the product and subsequently cause fire, flood, electrocution and serious personal injury to occur.

By way of example, but not limited to, the following repairs must be addressed to authorized professional repairers or registered professional repairers: compressor, cooling circuit, main board, inverter board, display board, etc.

The manufacturer/seller cannot be held liable in any case where end-users do not comply with the above.

The spare part availability of the refrigerator that you purchased is 10 years. During this period, original spare parts will be available to operate the refrigerator properly. The minimum duration of guarantee of the refrigerator that you purchased is 24 months.

This product is equipped with a lighting source of the "G" energy class.

The lighting source in this product shall only be replaced by Professional repairer.

See also

2 DISCLAIMER / WARNING [] 24]

Considerations Regarding Errors of Use and Warranty

The following defects can be rectified for a fee. Warranty conditions do not apply for any of these cases;

1. Damages and malfunctions caused by errors in use,
2. Damages and malfunctions during loading, unloading, transport, etc. following the delivery of the goods to the consumer,
3. Damages and malfunctions arising from the electricity (socket, voltage, grounding, etc.), water (water pressure, tap, etc.), natural gas, telephone, internet, etc. network and / or infrastructure (drain, floor, environment, etc.) of the location where the goods are used,
4. Damages and malfunctions caused by Acts of God, fire, flood, etc,
5. Damages and malfunctions arising from the use of the goods contrary to the issues in the description and user manuals,
6. Damages and malfunctions arising from the use of the goods for commercial or professional purposes as defined in the Law No. 6502 on the Protection of Consumers,
7. In the event of maintenance, repair or any other intervention to the goods by unauthorised persons, the warranty given to the goods shall expire.

The warranty period of the goods replaced during the warranty application is limited to the remaining warranty period of the purchased goods.

Manufactured by Arçelik A.Ş.

Origin: Turkey

Læs venligst denne brugervejledning først!

Kære kunder


Læs betjeningsvejledningen før installation eller brug af dette produkt.


Tak, fordi du har valgt dette produkt fra Beko . Vi vil gerne have, at du opnår den optimale effektivitet med dette høj kvalitetsprodukt, der er fremstillet med avanceret teknologi. For at gøre dette skal du læse denne vejledning og enhver anden dokumentation, der følger med, omhyggeligt, før du bruger produktet, og opbevar den som reference.

Følg alle advarsler og oplysninger i brugermanualen. På denne måde beskytter du dig selv og dit produkt mod de farer, der kan opstå.


Opbevar brugermanualen. Giv denne brugsanvisning sammen med enheden, hvis du overdrager den til en anden.

De anvendte symboler i denne vejledning er:





| | |
|--|--|
|  | Fare, der kan resultere i død eller personskade. |
|--|--|

| | |
|--|---|
|  | Vigtige oplysninger og nyttige tips til brugen. |
|--|---|

| | |
|--|---------------------|
|  | Læs brugermanualen. |
|--|---------------------|

| | |
|--|--|
|  | Brændbart materiale, advarsel mod brandfare. |
|--|--|

BEMÆRK Fare, der kan forårsage materiel skade på produktet eller det omkringliggende område

| | | |
|--|---|---|
|  |  | Modeloplysningerne, som er lagret i produktbasen, kan fås på følgende website ved at søge efter din modelidentifikator(*), der findes på energimærkaten. https://eprel.ec.europa.eu/ |
| SUPPLIER'S NAME | MODEL IDENTIFIER → (*) | |
|  |  | |

| | | |
|----------|---|-----------|
| 1 | Sikkerhedsinstruktioner | 32 |
| 1.1 | Tilsluttet brug | 32 |
| 1.2 | Sikkerhed for børn, sårbare personer og kæledyr | 32 |
| 1.3 | El-sikkerhed | 33 |
| 1.4 | Håndteringsikkerhed | 34 |
| 1.5 | Installationssikkerhed | 34 |
| 1.6 | Driftssikkerhed | 36 |
| 1.7 | Sikkerhed ved opbevaring af fødevarer | 38 |
| 1.8 | Vedligeholdelses og rengørings-sikkerhed | 39 |
| 1.9 | Bortskaffelse af det gamle produkt | 39 |
| 2 | Miljøinstruktioner | 40 |
| 2.1 | Overholdelse af WEEE-direktivet og bortskaffelse af affaldsprodukt: | 40 |
| 3 | Dit køleskab | 41 |
| 4 | Installation | 41 |
| 4.1 | Korrekt monteringssted | 42 |
| 4.2 | Elektrisk tilslutning | 42 |
| 4.3 | Montering af plastkiler | 42 |
| 4.4 | Justering af benene | 43 |
| 4.5 | Installation af køleskabs og fryserprodukter side om side | 43 |
| 4.6 | Advarsel om varme overflader | 43 |
| 5 | Klargøring | 44 |
| 5.1 | Sådan opnås energibesparelser ... | 44 |
| 5.2 | Første ibrugtagning | 44 |
| 5.3 | Klimaklasse og definitioner | 45 |
| 6 | Betjening af produktet | 45 |
| 7 | Brug af dit apparat | 45 |
| 7.1 | Produktets kontrolpanel | 45 |
| 7.2 | Opbevaring af mad i kølerummet | 46 |
| 7.3 | Skuffer | 47 |
| 7.4 | Vending af døråbnings-side | 47 |
| 7.5 | Døråbnings-advarsel | 47 |
| 7.6 | Udskiftning af pærerne | 47 |
| 7.7 | AeroFlow | 47 |
| 8 | Vedligeholdelse og rengøring | 48 |
| 9 | Fejlfinding | 49 |

1 Sikkerhedsinstruktioner

- Dette afsnit indeholder de sikkerhedsanvisninger, der er nødvendige for at forebygge risikoen for personskader og materielle skader.
- Vores firma skal ikke holdes ansvarlig for skader, der kan opstå, hvis disse instruktioner ikke overholdes.



Få altid installation og reparationer udført af forhandleren, en autoriseret service eller en person, der er udpeget af importøren.



Brug kun originale reservedele og tilbehør.



Du må ikke reparere eller udskifte nogen del af apparatet, med mindre det specifikt er angivet i brugsanvisningen.



Lav ikke nogen ændringer på produktet.

1.1 Tilsigtet brug

- Dette produkt er ikke egnet til kommercielle formål, og det må ikke anvendes til andre formål end dets tilsigtede anvendelse.
- Dette produkt er til indendørs brug, f.eks. husholdninger eller lignende.

for eksempel;

I personalekøkkener i butikkerne kontorer og andre arbejdsmiljøer

I landbrugsejendomme;
I hoteller, moteller eller andre hvilefaciliteter, der bruges af kunderne,

På hostels eller lignende miljøer
I catering og lignende anvendelser uden for detailbutikker.

- Disse produkter må ikke bruges i åbne eller lukkede udendørs miljøer som fartøjer,, altaner eller terrasser. Hvis apparatet udsættes for regn, sne, sol og vind, vil det forårsage elektrisk fare.

1.2 Sikkerhed for børn, sårbare personer og kæledyr

- Dette apparat kan bruges af børn i alderen fra 8 år og derover, af personer med nedsat fysisk, sensorisk eller psykisk funktionsevne eller med manglende erfaring og viden, hvis de er blevet vejledt eller instrueret i brugen af apparatet på en sikker måde og forstår de farer, de er udsat for..
- Børn mellem 3 og 8 år har tilladelse til at lægge mad og tage mad til/fra køleskabsproduktet.
- El-produkter er farlige for børn og husdyr. Børn og kæledyr må ikke lege med, klatre eller komme ind i produktet.

- Rengøring og brugervedligeholdelse må ikke foretages af børn uden at nogen holder opsyn med dem.
- Hold emballagematerialer utilgængelige for børn. Fare for personskade eller kvælning! Inden bortskaffelse af gamle produkter, der ikke må bruges mere:
 1. Tag el-kablet ud af stikkontakten.
 2. Klip netledningen over, og tag den ud af apparatet sammen med stikket.
 3. Fjern ikke stativerne og skufferne fra produktet for at forhindre børn i at komme ind i apparatet.
 4. Fjern dørene.
 5. Opbevar produktet, så det ikke vælter.
 6. Lad ikke børn lege med det gamle produkt.
- Bortskaf ikke produktet ved at brænde det. Eksplosionsfare!
- Hvis der er en lås i produktets dør, skal du holde nøglen uden for børns rækkevidde.
- Hvis ledningen er beskadiget, må den kun udskiftes af autoriseret service for at undgå enhver risiko, der måtte opstå.
- Træk ikke i strømkablet under produktet eller på bagsiden af produktet. Læg ikke tunge genstande på strømkablet. Strømkablet må ikke blive bøjet, mast eller komme i kontakt med en varmekilde.
- Brug ikke en forlængerledning, multistik eller adapter til at betjene dit produkt.
- Løse stikdåser eller bærbare strømforsyninger kan overophedes og forårsage brand. Brug således ikke en stikdåse, bærbare strømforsyninger bagved eller i nærheden af produktet.
- Tilslut ikke produktets strømledning til en løs eller beskadiget stikkontakt. Disse typer af tilslutninger kan overophedes og forårsage farer.
- Strømstikket skal være let tilgængeligt. Hvis dette ikke er muligt, skal der findes en mekanisme, der opfylder den elektriske lovgivning, og som kobler alle klemmer fra lysnettet (sikring, afbryder, hovedafbryder osv.) på den elektriske installation.
- Rør ikke ved stikket med våde hænder!

1.3 El-sikkerhed

- Produktet må ikke sættes i stikkontakten under installation, reparation og transport.

- Når du tager stikket ud af stikkontakten, skal du ikke holde fast i strømkablet, men stikket.

1.4 Håndteringssikkerhed

- Sørg for at tage apparatet ud af stikkontakten, inden du bærer produktet.
- Dette produkt er tungt, du må ikke håndtere det alene. Der kan opstå personskade, hvis produktet falder ned over dig. Stød ikke ind i ting eller tab produktet, når du transporterer det.
- Luk altid dørene og hold ikke produktet i dørene, når du transporterer det.
- Pas på ikke at beskadige kølesystemet og rørene, mens du håndterer produktet. Brug ikke produktet, hvis rørene er beskadigede, og kontakt en autoriseret service.

1.5 Installationssikkerhed

- Kontakt det autoriserede værksted vedrørende udskiftning af lampen For at klargøre produktet til brug, henvises til oplysningerne i brugervejledningen, og sørg endvidere for de fornødne el- og vandtilslutninger. Hvis ikke, skal du kontakte en elektriker og en blikkenslager for at arrangere

etablering af de fornødne tilslutninger. Ellers er der risiko for elektrisk stød, brand, problemer med produktet eller personskade!

- Produktet er designet til brug i en maksimal højde på under 2000 m.o.h.
- Kontroller, om der er sket skade på produktet, inden du installerer det. Tilslut ikke produktet, hvis det er beskadiget.
- Brug altid personligt beskyttelsesudstyr (handsker osv) under installation, vedligeholdelse og reparation af produktet. Risiko for personskade!
- Placer produktet på en ren, jævn og hård overflade, og skab balance med de justerbare ben (ved at dreje de forreste fødder til højre eller venstre. Ellers kan køleskabet vælte og forårsage kvæstelser.
- Produktet skal installeres i et tørt og ventileret miljø. Opbevar ikke tæpper, løbere eller lignende gulvbelægnings under produktet. Dette kan medføre risiko for brand som følge af utilstrækkelig ventilation!
- Bloker eller tildæk ikke ventilationsåbningerne. Ellers øges strømforbruget, og dit produkt kan blive beskadiget.

- Når du placerer produktet, så sørg for at forsyningskablet ikke beskadiget eller knækket.
- Tilslut ikke produktet til forsyningsystemer, f.eks. solenergiforsyninger. Ellers kan dit produkt blive beskadiget på grund af pludselige spændingsændringer!
- Jo mere kølemiddel et køleskab indeholder, jo større skal installationsrummet være. I meget små rum kan der forekomme en brandfarlig gasluftblanding i tilfælde af en gaslækage i kølesystemet. Mindst 1 m³ volumen kræves for hver 8 gram kølemiddel. Mængden af kølemiddel, der er tilgængeligt i dit produkt, er angivet på typeskiltet.
- Produktets installationssted må ikke udsættes for direkte sollys, og det må ikke være i nærheden af en varmekilde som komfurer, radiatorer osv. Hvis du ikke kan forhindre installation af produktet i nærheden af en varmekilde, skal du bruge en passende isoleringsplade, og minimumsafstanden til varmekilden skal være som angivet:
 - Mindst 30 cm væk fra varmekilder som komfurer, varmeenheder og varmeovne osv.,
 - Og mindst 5 cm væk fra elovne.
- Dit produkt tilhører beskyttelsesklasse I.
- Sæt produktet i en jordet stikkontakt, der er i overensstemmelse med de spændings-, strøm- og frekvensværdier, der er angivet på typeskiltet. Stikkontakten skal have en sikring på 10A – 16A. Vores firma påtager sig ikke ansvar for skader, der skyldes brug uden jordforbindelse og strømtilslutning i overensstemmelse med lokale og nationale regler.
- Produktets strømkabel skal frakobles under montering. Ellers kan der opstå risiko for elektrisk stød og personskade!
- Sæt ikke produktet i løse, forskudte, ødelagte, beskidte, fedtede stikkontakter eller stikkontakter med risiko for vandkontakt. Disse typer af tilslutninger kan overophedes og forårsage farer.
- Placer strømkablerne (hvis de er tilgængelige) på produktet, så der ikke findes risiko for at man kan snuble over dem.
- Indtrængen af fugt til strømførende dele eller til netledningen kan forårsage kortslutning. Brug derfor ikke produktet i fugtige miljøer eller i områder, hvor vand kan plaske (f.eks.

garage, vaskerum osv.) Hvis køleskabet er vådt af vand, skal du tage stikket ud af stikkontakten og kontakte en autoriseret service.

- Tilslut ikke dit køleskab til strømbesparende enheder. Disse systemer er skadelige for produktet.
- Der er en risiko for kontakt med strømførende dele, når du fjerner sækslet over printet og det bageste kompressordæksel (hvis det er sat på). Fjern ikke dækslet over printet og det bageste kompressordæksel (hvis det er sat på). Der er risiko for elektrisk stød!

1.6 Driftssikkerhed

- Anvend ikke kemiske opløsningsmidler på produktet. Disse materialer udgør en eksplosionsrisiko.
- I tilfælde af en fejl på produktet, skal du tage stikket ud af stikkontakten og ikke bruge det, før det er repareret af den autoriserede service. Der er risiko for elektrisk stød!
- Placer ikke en flammekilde (f.eks. stearinlys, cigaretter osv.) på produktet eller i nærheden af det.
- Træd ikke på produktet. Risiko for fald og personskade!
- Undgå at beskadige rørene i kølesystemet med skarpe og gennemborende værktøjer. Det kølemedium, der sprøjter ud i tilfælde af punktering af gasrør, rørforlængelser eller overfladebelægning, kan forårsage hudirritation og øjenskader.
- Anbring og betjen ikke elektriske apparater inde i køleskabet/fryseren, medmindre det er anbefalet af producenten.
- Pas på du ikke får nogen del af dine hænder eller krop i klemme i nogen af de bevægelige dele inden i produktet. Vær omhyggelig med at forhindre, at fingrene sidder fast mellem køleskabet og dets dør. Vær forsigtig, mens du åbner eller lukker døren, hvis der er børn omkring.
- Læg ikke is, isterninger eller frosne fødevarer i munden, så snart du tager dem ud af fryseren. Risiko for forfrysning!
- Rør ikke ved indervægge, metaldele i fryseren eller mad, der opbevares inde i køleskabet med våde hænder. Risiko for forfrysning!
- Anbring ikke sodavand eller dåser og flasker, der indeholder væsker, der kan fryses i fryserummet. Dåser eller flasker kan eksplodere. Risiko for personskade og materiel skade!

- Brug ikke materialer, der er følsomme over for temperatur, som brændbar spray, antændelige genstande, tøris eller andre kemiske stoffer i nærheden af køleskabet. Risiko for brand og eksplosion!
- Opbevar ikke eksplosive stoffer som f.eks. aerosoldåser med et brandbart drivmiddel inde i produktet.
- Anbring ikke dåser, der indeholder væsker, oven på produktet. At sprøjte vand på en elektrisk del kan medføre risiko for elektrisk stød eller brand.
- Dette produkt er ikke beregnet til opbevaring og afkøling af medicin, blodplasma, laboratoriepræparater eller lignende materialer og produkter, der er omfattet af direktivet om medicinske produkter.
- Hvis produktet bruges i modstrid med det tilsigtede formål, kan det forårsage skade på eller forringelse af produkterne, der opbevares indeni.
- Hvis dit køleskab er udstyret med blå lys, skal du ikke se på dette lys med optiske enheder. Stir ikke direkte på UV-LED-lys i lang tid. Ultraviolette stråler kan forårsage belastning af øjnene.
- Fyld ikke produktet med mere indhold, end dets kapacitet. Personskader eller skader kan opstå, hvis indholdet af køleskabet falder, når døren åbnes. Lignende problemer kan opstå, når en genstand placeres over produktet.
- Sørg for, at du har fjernet is eller vand, der kan være faldet ned på gulvet for at forhindre personskader.
- Skift kun placeringerne af stativerne/flaskeholderne på døren til dit køleskab, mens stativerne er tomme. Fare for personskade!
- Anbring ikke genstande, der kan falde/vælte på produktet. Disse genstande kan falde, mens du åbner eller lukker døren og kan forårsage personskader og/eller materielle skader.
- Undgå at ramme med eller udøve for stort pres på glassoverflader. Knust glas kan forårsage personskader og/eller materielle skader.
- Kølesystemet i dit produkt indeholder kølemediet R600a. Den anvendte kølemedietype i produktet specificeres på typeskiltet. Denne gas er brandfarlig. Pas derfor på ikke at beskadige kølesystemet og røre-

ne, mens du håndterer produktet. I tilfælde af fare for beskadigelse af udstyret:

1. Rør ikke produktet eller strømkablet.
2. Hold produktet væk fra potentielle ildkilder, der kan forårsage, at produktet går i brand.
3. Ventilér det område, hvor produktet er placeret. Brug ikke en ventilator.
4. Kontakt teknisk service.

Hvis produktet er beskadiget, og du observerer gaslækage, skal du holde dig væk fra gassen. Gas kan forårsage frostsår, hvis den kommer i kontakt med din hud.

Inden bortskaffelse af gamle produkter, der ikke må bruges mere:

1. Tag el-kablet ud af stikkontakten.
2. Klip netledningen over, og tag den ud af apparatet sammen med stikket.
3. Fjern ikke stativerne og skufferne fra produktet for at forhindre børn i at komme ind i apparatet.
4. Fjern dørene.
5. Opbevar produktet, så det ikke vælter.
6. Lad ikke børn lege med det gamle produkt.

- Bortskaf ikke produktet ved at brænde det. Eksplosionsfare!
- Hvis der er en lås i produktets dør, skal du holde nøglen uden for børns rækkevidde.



1.7 Sikkerhed ved opbevaring af fødevarer

Vær opmærksom på følgende advarsler for at undgå madspild.

- Når døren er åben i lang tid kan det få den indvendige temperatur til at stige.
- Rens det tilgængelige afløbssystem regelmæssigt, da det er i kontakt med fødevarer.
- Rengør vandtankene, der ikke er brugt i 48 timer og de netforsynede vandsystemer, der ikke er brugt i over 5 dage.
- Opbevar rå kød og fiskeprodukter i passende rum inde i produktet. Således kan det ikke dryppe på eller komme i kontakt med andre fødevarer.
- Tostjernede rum bruges til at opbevare forudfyldte fødevarer, og fremstilling og opbevaring af is.
- Et-, to- eller trestjernede rum er ikke egnede til frysning af ferske fødevarer.
- Hvis køleproduktet er efterladt tomt i lang tid, så drej produktet, optø, rens og tør produktet for at beskytte produktets kabinet.



1.8 Vedligeholdelses og rengøringsikkerhed

- Tag køleskabet ud af stikkontakten, inden rengøring eller før du udfører vedligeholdelse.
- Træk ikke i dørhåndtaget, hvis du skal flytte produktet for rengøringsformål. Håndtag kan forårsage kvæstelser, hvis man trækker for hårdt.
- Placer ikke dine hænder osv. under køleskabet. Der kan opstå flemning eller enhver skarp kant kan medføre personskader.
- Rengør ikke produktet ved at sprøjte eller hælde vand på produktet og inde i produktet. Risiko for elektrisk stød og brand.
- Når du renser produktet, så brug ikke skarpe og slibende værktøj eller rengøringsmidler til husholdning, vaskemiddel, benzin, fortynder, alkohol, fernis og lignende stoffer. Brug kun rengørings- og vedligeholdelsesmidler, der ikke er skadelige for fødevarer inde i produktet.
- Brug aldrig nogensinde damp eller dampede rengøringsmidler til rengøring af køleskabet og/eller smeltning af is i det.

Damp kommer i kontakt med de strømførende områder i dit køleskab og forårsager kortslutning eller elektrisk stød!

- Sørg for at holde vand væk fra de ventilation, elektroniske kredsløb eller belysning af produktet.
- Brug en ren, tør klud til at tørre støv eller fremmed materiale på spidserne af stikkene. Brug ikke et vådt eller fugtigt stykke stof til at rengøre stikket. Ellers kan der opstå risiko for brand eller elektrisk stød.



1.9 Bortskaffelse af det gamle produkt

Når du bortskaffer dit gamle produkt, skal du følge nedenstående instruktioner:

- For at forhindre børn i at låse sig selv inde, skal man deaktivere dørlåsen, hvis der er en.
- Sprøjt fra kølemiddel er skadeligt for øjnene. Ødelæg ikke nogen del af kølesystemet, når du bortskaffer produktet.
- Det kan være dødeligt at sluge kompressorolie, eller hvis det gennemtrænger åndedrætsorganerne.
- Kølesystemet i dit produkt indeholder luftarten R600a, som angivet på typeskiltet. Denne

gas er brandfarlig. Bortskaf ikke produktet ved at brænde det. Eksplosionsfare!

2 Miljøinstruktioner

2.1 Overholdelse af WEEE-direktivet og bortskaffelse af affaldsprodukt:



Dette produkt er i overensstemmelse med EUs WEEE-direktiv (2012/19/EU). Dette produkt er forsynet med en klassificeringssymbol for affald af elektrisk og elektronisk udstyr (WEEE).

EE).

Dette symbol angiver, at produktet ikke må bortskaffes sammen med andet husholdningsaffald, når det ikke længere anvendes. Brugt udstyr skal returneres til det officielle opsamlingssted for genbrug af elektriske og elektroniske enheder. For at finde disse indsamlingssystemer skal du kontakte din lokale myndigheder eller forhandler, hvor produktet blev købt. Hver husstand spiller en vigtig rolle i genanvendelse og genbrug

af gammelt apparat. Korrekt bortskaffelse af brugt apparat hjælper med at forhindre potentielle negative konsekvenser for miljøet og menneskers sundhed.

Overholdelse af RoHS-direktivet

Det produkt, du har købt er i overensstemmelse med EU RoHS-direktiv (2011/65/EU). Det indeholder ikke skadelige eller forbudte stoffer, der er angivet i direktivet.

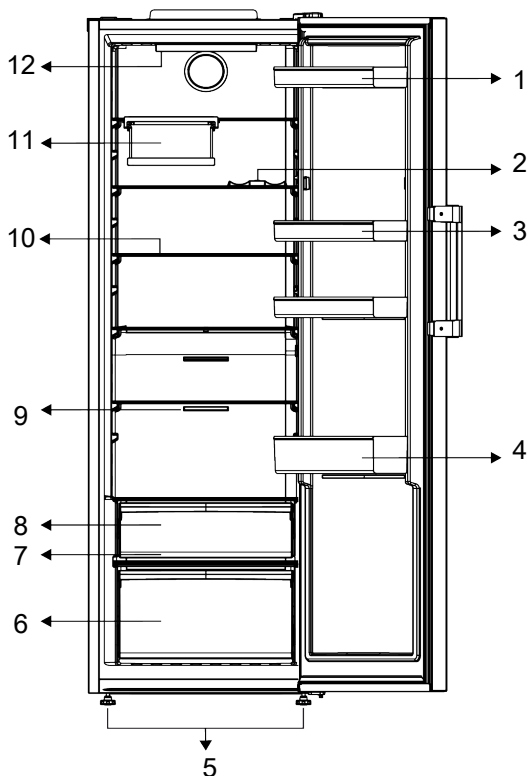


Emballageoplysninger

Produktets emballagematerialer er fremstillet af genbrugsmaterialer i overensstemmelse med vores nationale miljøbestemmelser. Bortskaf ikke emballagen sammen med husholdningsaffald eller andet affald. Indlever emballagen på de indsamlingssteder, der udpeges af de lokale myndigheder.

3 Dit køleskab

DA



- | | |
|---------------------|--------------------------|
| 1 Ægholder | 2 * Flaskehylde |
| 3 Justerbare hylder | 4 Justerbar dørhylde |
| 5 Justerbare forben | 6 Skuffer |
| 7 * Everfresh | 8 * Koldt opbevaringsrum |
| 9 Blæser | 10 Justerbare hylder |
| 11 *Foldbar vinreol | 12 * Belysningslampe |

***Ekstraudstyr:** Tallene i denne brugervejledning er skematiske og svarer muligvis ikke præcist til dit produkt. Hvis dit produkt ikke omfatter de relevante dele, gælder oplysningerne for andre modeller.

4 Installation



Læs først afsnittet "Sikkerhedsinstruktioner"!

4.1 Korrekt monteringssted

Kontakt det autoriserede værksted vedrørende udskiftning af lampen. For klargøring af produktet til montering, henvises til oplysningerne i brugervejledningen. Sørg endvidere for de fornødne vand- og strømtilslutninger. Hvis ikke, skal du kontakte en elektriker og en blikkenslager for at arrangere etablering af de fornødne tilslutninger.



ADVARSEL:

Producenten påtager sig intet ansvar for skader forårsaget af arbejde udført af uautoriserede personer.



ADVARSEL:

Produktets strømkabel skal frakobles under montering. Manglende overholdelse af disse advarsler kan resultere i død og alvorlige kvæstelser.



ADVARSEL:

Hvis dørspændet er for smalt til, at produktet kan passere, skal du fjerne døren og dreje produktet sidelæns. Hvis dette ikke virker, skal du kontakte den autoriserede service.

- Anbring produktet på en plan overflade for at undgå vibrationer.
- Anbring produktet mindst 30 cm væk fra varmelegeme, komfur og lignende varmekilder og mindst 5 cm væk fra elovne.
- Udsæt ikke produktet for direkte sollys og hav det ikke i fugtige omgivelser.
- Dit produkt kræver tilstrækkelig luftcirkulation for at fungere effektivt. Hvis produktet anbringes i en alkove, skal du huske at have mindst 5 cm fri plads mellem produktet og loftet, bagvæggen og sidevæggene.
- Kontroller, om beskyttelseskomponenten til bagvæggen er til stede på dens placering (hvis den leveres sammen med produktet).

- Hvis komponenten ikke er tilgængelig, eller hvis den er mistet eller tabt, skal du placere produktet, så der er mindst 5 cm fri plads mellem overfladen af bagsiden på produktet og rummets vægge. Den frie højde på bagsiden er vigtig for effektiv drift af produktet.

4.2 Elektrisk tilslutning



Brug ikke forlænger- eller multistikk til strømtilslutning.



Beskadiget strømkabel skal udskiftes af et autoriseret serviceværksted.



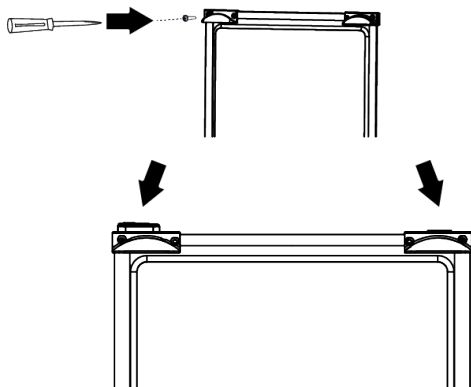
Hvis du placerer to køleskabe ved siden af hinanden, skal der være mindst 4 cm afstand mellem de to apparater.

- Vores firma påtager sig ikke ansvar for skader, der skyldes brug uden jordforbindelse og strømtilslutning i overensstemmelse med nationale regler.
- Strømkabelstikket skal være let tilgængeligt efter installationen.
- Brug ikke stikdåser med eller uden forlængerledning mellem stikkontakten og køleskabet.

4.3 Montering af plastkiler

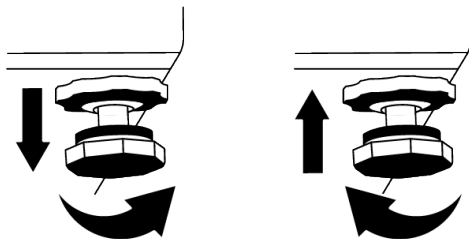
Brug plastkiler i det medfølgende produkt for at give tilstrækkelig plads til luftcirkulation mellem produktet og væggen.

1. For at fastgøre kilerne skal du fjerne produktets skruer og bruge de skruer, der følger med kilerne.
2. Fastgør 2 plastkiler på ventilationsdækslet som vist på figuren.



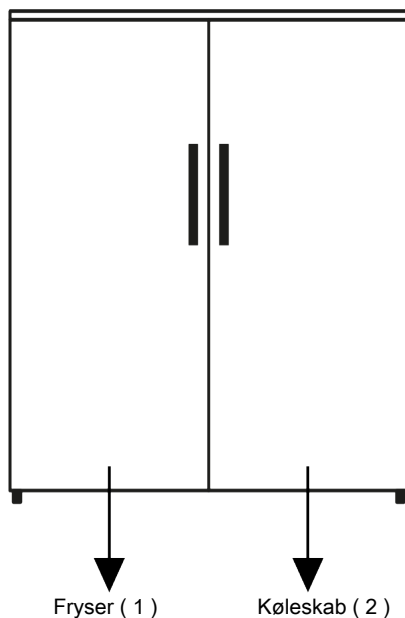
4.4 Justering af benene

Hvis produktet ikke står i en afbalanceret position, skal du justere de forreste justerbare stativer ved at dreje til højre eller venstre.



4.5 Installation af køleskabs og fryserprodukter side om side

Når fryser og køleskabsprodukter er installeret side om side, skal installationen foretages, således at fryserproduktet (1) vil være til venstre og køleskabsproduktet (2) til højre. For at forebygge svedeproblemer, der kan opstå mellem produkter, er anti-kondenseringselementer placeret på den venstre side af køleskabsproduktet.



4.6 Advarsel om varme overflader

Sidevæggene på dit produkt er udstyret med kølerør for at forbedre kølesystemet. Højtryksvæske kan strømme gennem disse

overflader og forårsage varme overflader på sidevæggene. Dette er normalt og kræver ikke service. Vær forsigtig, når du kontakter disse områder.

5 Klargøring



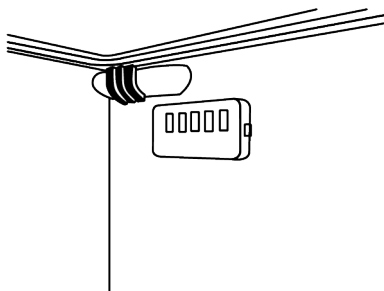
Læs først afsnittet "Sikkerhedsinstruktioner"!

5.1 Sådan opnås energibesparelser



Tilslutning af produktet til elektroniske energibesparende systemer frarådes, da det kan beskadige produktet.

- Dette køleudstyr er ikke beregnet til at blive brugt som et indbygget apparat'
- Køleskabsdørene må ikke holdes åbne i længere perioder.
- Anbring ikke varm mad eller drikke i køleskabet.
- Overfyld ikke køleskabet. Hvis den indvendige luftstrøm blokeres, vil det reducere kølekapacitet.
- Da varm og fugtig luft ikke vil trænge direkte ind i dit produkt, når dørene ikke åbnes, optimerer dit produkt sig selv under tilstrækkelige forhold til at beskytte din mad. Under disse betingelser fungerer funktioner og komponenter såsom kompressor, ventilator, varmelegeme, afrimning, belysning, display og så videre i overensstemmelse med behovene for at forbruge et minimum af energi.
- I tilfælde af flere muligheder findes der glashylder, så luftudtagene på bagvæggen ikke blokeres, fortrinsvis forbliver luftudtagene under glashylden. Denne kombination kan hjælpe med at forbedre luftfordeling og energieffektivitet.
- Brug af nedenstående skuffe til opbevaring er stærkt anbefalet.
- Sørg for, at fødevarerne ikke er i kontakt med kølerums temperaturføler beskrevet nedenfor.



- Hvis de er i kontakt med sensoren kan enhedens energiforbrug stige
- Mad skal opbevares ved hjælp af skufferne i kølerummet for at sikre energibesparelse og beskytte mad under bedre forhold.

5.2 Første ibrugtagning

Før du bruger dit køleskab, skal du sørge for, at de nødvendige forberedelser er udført i overensstemmelse med instruktionerne i afsnittene "Sikkerheds- og miljøanvisninger" og "Montering".

- Hold produktet tændt uden fødevarer indvendigt i 6 timer og undlad at åbne døren, med mindre det er absolut nødvendigt.
- Temperaturændringen forårsaget af åbning og lukning af døren, mens du bruger produktet, kan normalt føre til kondensering på dør/køleskabshylder og glas placeret i produktet.



Der høres en lyd, når kompressoren er i gang. Det er normalt for produktet at lave støj, selv når kompressoren ikke kører, da væske og gas kan blive komprimeret i kølesystemet.



Det er normalt, at køleskabets forkanter er varme. Disse områder er udviklet til at blive varmet op for at undgå dannelse af kondens.



På nogle modeller slukkes indikatorpanelet automatisk 1 minut efter at døren lukkes. Det genaktiveres, når døren åbnes, eller der trykkes på en vilkårlig knap.

5.3 Klimaklasse og definitioner

Vi henviser til klimaklassen på din enheds typeskilt. En af nedenstående oplysninger er gyldig for dit apparat i henhold til den klassificerede klimaklasse.”

- **SN:** Lang tid i tempereret klima: Denne køleenhed er designet til brug ved stuetemperaturer på mellem 10 og 32 °C.
- **N:** Tempereret klima: Denne køleenhed er designet til brug ved stuetemperaturer på mellem 16 og 32 °C.
- **ST:** Subtropisk klima: Denne køleenhed er designet til brug ved stuetemperaturer på mellem 16 og 38 °C.
- **T:** Tropisk klima: Denne køleenhed er designet til brug ved stuetemperaturer på mellem 16 og 43 °C.

6 Betjening af produktet



Læs først afsnittet “Sikkerhedsinstruktioner”!

- Dette produkt er ikke egnet til frysning af fødevarer.
- Brug ikke mekanisk værktøj eller andet værktøj end producentens anbefalinger til at fremskynde optøningen.
- Brug ikke i dit køleskab, såsom døren, som et middel til støtte eller som et trin. Dette kan få produktet til at vælte eller dets komponenter bliver beskadiget.
- Dette produkt må kun bruges til opbevaring af fødevarer.

- Sluk for vandventilen, hvis du er væk hjemmefra (f.eks. på ferie), og du ikke bruger Ismaskinen eller vanddispenseren i lang tid. Ellers kan der forekomme vandlækager.

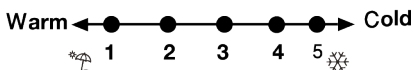
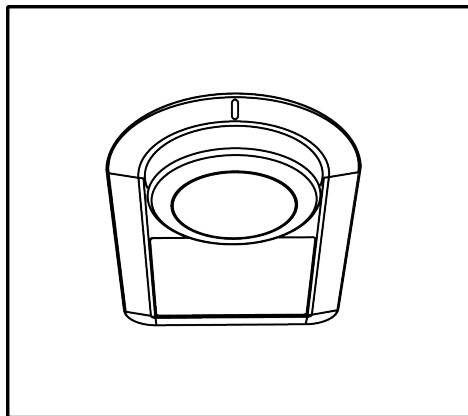
Sæt programmet på pause

- Hvis du ikke skal bruge produktet i lang tid, så afbryd det fra stikkontakten.
- Fjern maden for at forhindre lugt.
- Vent på at isen smelter, rens det indvendigt og lad det tørre, efterlad dørene åbne for at undgå beskadigelse af den indvendige plast i skabet.

7 Brug af dit apparat

7.1 Produktets kontrolpanel

Arbejdstemperaturen reguleres af temperaturkontrollen.



1 = Laveste køleindstilling (Varmeste indstilling)

4 = Højeste køleindstilling (koldeste indstilling)

Gennemsnitstemperaturen i kølerummet bør være omkring +5 °C.

Vælg en indstilling, der passer til den ønskede temperatur.

Bemærk at der vil være forskellige temperaturer i køleområdet.

Den koldeste zone er lige over skuffen.

Den indvendige temperatur afhænger også af stuetemperaturen, den hyppighed, hvor på døren åbnes, og mængden af mad, der opbevares indeni.

At åbne døren ofte fører til, at den indvendige temperatur stiger.

7.2 Opbevaring af mad i kølerummet

- Rumtemperaturerne stiger betydeligt, hvis døren til rummet åbnes og lukkes ofte og holdes åbne i lang tid. Dette kan mindske længden af madens holdbarhed, og forårsage, at maden bliver dårlig.
- For ikke at fremkalde lugt og bismag, skal maden opbevares i lukkede beholdere.
- Opbevar ikke store mængder mad inde i dit køleskab. For at opnå bedre og ensartet køling, skal du placere maden separat på en måde så kold luft kan passere den.
- Fremkald luftstrøm ved at efterlade plads mellem maden og indervæggen. Hvis du læner maden mod bagvæggen, kan maden blive frossen.
- Bring tilberedt varm mad ned på stuetemperatur, inden du lægger den i køleskabet. Derefter kan du lægge den lunkne mad på de nederste hylder i køleskabet. Læg ikke lunken mad tæt på mad, der let kan blive dårlig.
- Optø din frosne mad i rummet til frisk mad. Derved kan du afkøle kølerummet ved at bruge frossen mad og spare energi.
- Opbevaring af umodne tropiske frugter (mango, melon-arter, papaya, banan, ananas) i køleskabet kan fremme modningsprocessen. Dette anbefales ikke, da det vil forårsage kortere opbevaringstid.
- Løg, hvidløg, ingefær og andre rodfrugter skal opbevares under mørke og kølige rumforhold, ikke i køleskabet.
- Hvis du bemærker, at noget mad er blevet dårligt i køleskabet, så smid det ud og rengør tilbehøret, der har været i kontakt med den mad.
- For at afkøle måltider som supper og stuvninger, der er kogt i store gryder hurtigt, kan du lægge dem i køleskabet ved at adskille dem i deres egne beholdere.
- Placer ikke uindpakket mad tæt på æg.
- Hold frugter og grøntsager adskilt og opbevar dem med samme slags: æbler med æbler, gulerødder med gulerødder.
- Tag grønne grøntsager ud af plastikposen, og læg dem i køleskabet efter at have pakket dem ind i et papirtørklæde eller en serviet. Hvis du vasker denne slags mad, inden du placerer dem i køleskabet, så husk at tørre dem.
- Du kan både skabe et fugtigt miljø og lave en luftstrøm ved at holde frugt og grøntsager, der kan tørre, i perforerede eller uforseglede plastikposer.
- Bortset fra tilfælde, hvor ekstreme forhold gør sig gældende i miljøet, hvis dit produkt (på den anbefalede værditabel) er indstillet til det angivne sæt værdier, holder maden sig frisk i længere tid i rummet til friske fødevarer og fryserummet.

| Opbevar mad forskellige steder alt efter dens egenskaber: | |
|--|---|
| Mad | Placering |
| Æg | Dørhylde |
| Mejeriprodukter (smør, ost) | Hvis tilgængeligt, madrummet med nul grader (til morgenmad) |
| Frugt, grøntsager og salat | Frugt-grøntsagsrummet, skuffen eller EverFresh+ rummet (hvis det er tilgængeligt) |
| Fersk kød, fjerkræ, fisk, pølse osv. Kogt mad | Hvis tilgængeligt, madrummet med nul grader (til morgenmad) |
| Spiseklar mad, emballerede produkter, konserves, syltede produkter | Øverste hylder eller dørhylde |
| Drikkevarer, flasker, krydderier og snacks | Dørhylde |

Anbringelse af fødevarer

Hylder til kølerum: Fødevarer i gryder, plader og låg med låg, æg (i låg)

Dørhylder til kølerum: Små og pakkede fødevarer eller drikkevarer

Skuffer: Grøntsager og frugter

DA

Tablet med anbefalede indstillingsværdier

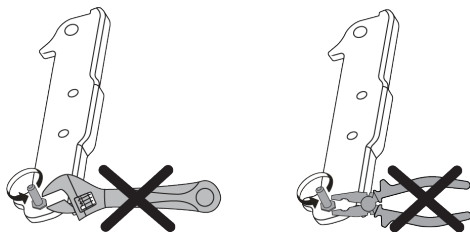
| Indstilling af kølerum | Bemærkninger |
|------------------------|--|
| 4 °C | Dette er den anbefalede standardindstilling. Denne indstilling anbefales, hvis stuetemperaturen er på under 30 °C. |

7.3 Skuffer

Køleskabets grøntsagsbeholder er designet til at holde grøntsager friske ved at bevare fugtigheden. Til dette formål intensiveres den samlede kolde luftcirkulation i den skuffens kurv. Opbevar frugt og grøntsager i dette rum. Hold de grønbladede grøntsager og frugter separat for at forlænge deres levetid.

7.4 Vending af døråbningside

Døråbningsiden på dit køleskab kan vendes i forhold til det sted, du stikker det. Når du har brug for dette skal du bestemt ringe til det nærmeste autoriserede værksted.



7.5 Døråbnings-advarsel

Døråbnings-advarselssystemet i dit køleskab kan være forskelligt afhængigt af modellen.

Version 1:

Hvis produktets dør står åben i en vis tid (fra 60 til 120 sekunder), lyder der en alarmtone, afhængigt af produktmodellen, der kan også vises et synligt advarselssignal (hvidt blink). Hvis du lukker døren til enheden eller trykker på en knap på enhedens skærm, hvis der findes en, vil advarselssystemet stoppe.

Version 2:

Hvis døren i enheden står åben i en vis tid (mellem 60 og 120 sek.), lyder der en døråbningsadvarsel. Døråbningsadvarslen bliver gradvist kraftigere. Først lyder der en hørbar advarsel. Hvis døren stadig ikke bliver lukket efter 4 minutter, aktiveres der en visuel advarsel (hvidt blink). Døråbningsadvarslen vil blive forsinket i en vis tid (mellem 60 og 120 sekunder), når der trykkes på en tast på produktets skærm (hvis der findes en). Derefter vil processen starte igen. Når enhedens dør bliver lukket, vil døråbningsalarmen blive annulleret.

7.6 Udskiftning af pærerne

Ring til det autoriserede værksted, når pæren/LED, der bruges til belysning i dit køleskab skal udskiftes.

Lampe(r), der bruges i dette apparat, kan ikke bruges til husbelysning. Formålet med brugen af denne lampe er at hjælpe brugeren med at placere mad i køleskabet/fryseren sikkert og komfortabelt.

7.7 AeroFlow

Det er et luftfordelingssystem, der giver ensartet temperaturfordeling. Med luftcirkulation sikres den ensartede temperaturfordeling i rummet til ferske fødevarer og temperatursvingninger holdes på et lavt niveau. Der udføres inden direkte blæsning over maden og dette hjælper med til at mindske tab af fugtighed. Det fastholder friskheden i de fødevarer, der opbevares i køleskabets rum til ferske fødevarer. På denne måde bliver maden opbevaret ved stabile temperaturer og kontakten med luft

bliver mindsket. Tørring og krympning af fødevarer ved tab af fugtighed forebygges, og friskheden bevares i længere tid.

8 Vedligeholdelse og rengøring

**ADVARSEL:**

Læs først afsnittet "Sikkerhedsinstruktioner".

**ADVARSEL:**

Afbryd køleskabet, før rengøring.

- Brug ikke skarpe eller slibende værktøjer til at rengøre produktet. Brug ikke materialer som husholdningsrengøringsmidler, vaskemidler, gas, benzin, alkohol, voks osv.
- Støvet skal fjernes fra ventilationsgitteret på bagsiden af produktet mindst en gang om året (uden at dækslet åbnes). Rengør produktet med en tør klud.
- Sørg for at holde vand væk fra lampens dæksel og andre elektriske dele.
- Rengør døren med en fugtig klud. Fjern alt indhold for at fjerne døren og køleskabshylderne. Fjern dørstativerne ved at løfte dem opad. Rengør og tør hylderne, og fastgør dem derefter igen ved at glide ovenfra.
- Brug ikke klorvand eller rengøringsprodukter på den udvendige overflade og krombelagte dele af produktet. Klor vil forårsage rust på sådanne metalliske overflader.
- Brug ikke skarpe og slibende værktøjer, sæbe, husrengøringsmaterialer, rengøringsmidler, gas, benzin, lak og lignende stoffer for at forhindre deformation af plastdelen og fjernelse af udskrifter på den del. Brug lunkent vand og en blød klud til rengøring og tør den derefter.
- På produkter uden No-Frost-funktion kan der forekomme vanddråber og is på op til en tykkelse af en finger på bagvæggen i fryseren. Rengør det ikke. Påfør aldrig olie eller lignende stoffer på det.

- Brug en let fugtet mikrofiberklud til at rengøre produktets ydre overflade. Svampe og andre typer rengøringsklude kan forårsage ridser.
- For at rense alt aftagelige komponenter under rengøringen af produktets indre overflade, vask disse komponenter med en mild opløsning bestående af sæbe, vand og karbonat. Vask og tør grundigt. Undgå kontakt med vand på belysningskomponenter og kontrolpanelet.

**FORSIGTIG:**

Brug ikke eddike, sprit eller andre alkoholbaserede rengøringsmidler på indvendige overflader.

Ydre overflader i rustfrit stål

Brug et ikke-slibende rengøringsmiddel i rustfrit stål, og påfør det med en blød fnugfri klud. For at polere tørres overfladen forsigtigt af med en mikrofiberklud fugtet med vand og brug tør poleringskind. Følg altid åreerne i rustfrit stål.

Forebyggelse af lugt

Produktet er fremstillet fri for lugtende materialer. Opbevaring af mad i forkerte afsnit og forkert rengøring af indvendige overflader kan dog medføre lugt.

- For at undgå dette, rengør indersiden med kulsyreholdigt vand hver 15. dag.
- Opbevar madvarer i forseglede beholdere, da mikroorganismer fra maden holdt i uforseglede beholdere vil skabe dårlig lugt..
- Opbevar ikke udløbet og ødelagt mad i køleskabet.

Beskyttelse af plastoverflader

Olie spildt på plastoverflader kan beskadige overfladen og skal straks rengøres med varmt vand.

9 Fejlfinding

Tjek denne liste, før du kontakter tjenesten. Hvis du gør det, sparer du tid og penge. Denne liste inkluderer hyppige klager, der ikke er relateret til defekt udførelse eller materiale. Visse funktioner, der er nævnt her, gælder muligvis ikke for dit produkt.

Køleskabet fungerer ikke.

- Stikket er ikke sat rigtigt i. >>> Sæt det helt ind i stikket.
- Sikringen, der er tilsluttet stikkontakten, der tænder for produktet eller hovedsikringen, er gået. >>> Kontroller sikringen.

Kondens på køleskabets sidevæg (MULTIZONE, KØL, KONTROL OG FLEXIZONE).

- Døren åbnes for ofte. >>> Pas på ikke at åbne produktets dør for ofte.
- Omgivelserne er for fugtige. >>> Installer ikke produktet i fugtige miljøer.
- Mad, der indeholder væsker, opbevares i uforsejlede beholdere. >>> Opbevar fødevarer, der indeholder væsker i forsejlede beholdere.
- Produktets dør forlades åben. >>> Køleskabsdørene må ikke holdes åbne i længere perioder.
- Termostaten er indstillet til for lav temperatur. >>> Indstil termostaten til en passende temperatur.

Kompressoren fungerer ikke.

- I tilfælde af pludselig strømafbrydelse eller udtrækning af stikket og isættelse er gastrykket i produktets kølesystem ikke afbalanceret, hvilket udløser den termiske beskyttelse af kompressoren. Produktet genstarter efter ca. 6 minutter. Hvis produktet ikke genstarter efter denne periode, skal du kontakte værkstedet.
- Afrimning er aktiv. >>> Dette er normalt for et fuldautomatisk afrimningsprodukt. Afrimningen udføres med jævne mellemrum.
- Netledningen er muligvis ikke tilsluttet. >>> Sørg for at ledningen er sat i.
- Temperaturindstillingen er forkert. >>> Vælg den korrekte temperaturindstilling.

- Strømmen er gået. >>> Produktet fortsætter med at fungere normalt, når strømmen er kommet igen.

Køleskabets driftsstøj øges under brug.

- Produktets driftsydelse kan variere afhængigt af variationerne i omgivelsernes temperatur. Dette er normalt og ikke en fejl.

Køleskabet kører for ofte eller for længe.

- Det nye produkt kan være større end det foregående. Større produkter kører i længere perioder.
- Rumtemperaturen kan være høj. >>> Produktet kører normalt i lange perioder ved højere stuetemperatur.
- Produktet kan for nylig være tilsluttet, eller en ny fødevarer er placeret i det. >>> Produktet kræver længere tid til at nå den indstillede temperatur, når det for nylig er tilsluttet, eller en ny fødevarer anbringes i det. Dette er normalt.
- Der er for nylig blevet anbragt store mængder varm mad i produktet. >>> Anbring ikke varm mad eller drikke i køleskabet.
- Dørene blev åbnet ofte eller holdt åbne i lange perioder. >>> Den varme luft, der bevæger sig inden i, får produktet til at køre længere. Åbn ikke dørene for ofte.
- Fryserdøren eller kølerens dør kan være på klem. >>> Kontroller, at dørene er helt lukket.
- Produktet kan indstilles til for lav A temperatur. >>> Indstil temperaturen til en højere grad, og vent på, at produktet når den justerede temperatur.
- Døren til køleren eller fryseren kan være snavset, slidt, brudt eller ikke ordentligt sat fast. Rengør eller udskift slutskiverne. Beskadiget / revet dør-slutskive vil få produktet til at køre i længere perioder for at bevare den aktuelle temperatur.

Frysertemperaturen er meget lav, men den køligere temperatur er tilstrækkelig.

- Fryseafsnitstemperaturen indstilles meget lavt. >>> Indstil fryserummets temperatur højere og kontroller igen.

Køleskabstemperaturen er meget lav, men frysertemperaturen er tilstrækkelig.

- Køleskabstemperaturen er indstillet meget lavt. >>> Indstil fryserummets temperatur højere og kontroller igen.

Madvarer, der opbevares i skuffer til køligere rum er frosne.

- Køleskabstemperaturen er indstillet meget lavt. >>> Indstil fryserummets temperatur højere og kontroller igen.

Temperaturen i køleren eller fryseren er for høj.

- Køleskabstemperaturen er indstillet meget højt. >>> Temperaturindstilling af kølerummet påvirker temperaturen i fryserummet. Vent indtil temperaturen på relevante dele når det tilstrækkelige niveau ved at ændre temperaturen i kølerum eller fryserum.
- Dørene blev åbnet ofte eller holdt åbne i lange perioder. >>> Åbn ikke dørene for ofte.
- Døren er muligvis på klem. >>> Luk døren helt i.
- Produktet kan for nylig være tilsluttet, eller en ny fødevarer er placeret i det. >>> Dette er normalt. Produktet tager længe tid for at nå den indstillede temperatur, når det for nylig er tilsluttet, eller en ny fødevarer anbringes i det.
- Der er for nylig blevet anbragt store mængder varm mad i produktet. >>> Anbring ikke varm mad eller drikke i køleskabet.

Rystelse eller støj.

- >>> Hvis produktet ryster, når det flyttes langsomt, skal du justere stativerne for at afbalancere produktet. Sørg også for at underlaget er tilstrækkelig holdbart til at bære produktet.
- Alle genstande, der placeres på produktet, kan forårsage støj. >>> Fjern eventuelle genstande, der er placeret på produktet.
- Produktet giver lyd fra væskestrøm, sprøjtning osv.

- Produktets driftsprincipper involverer væske- og gasstrømme. >>> Dette er normalt og ikke en fejl.

Der er lyd som fra vinden, der kommer fra produktet.

- Produktet bruger en blæser til køleprocessen. Dette er normalt og ikke en fejl.

Der er kondens på produktets indvendige vægge.

- Varmt eller fugtigt vejr øger isdannelse og kondens. Dette er normalt og ikke en fejl.
- Dørene blev åbnet ofte eller holdt åbne i lange perioder. >>> Åbn ikke dørene for ofte. Luk døren, hvis den er åben.
- Døren er muligvis på klem. >>> Luk døren helt i.

Der er kondens på produktets yderside eller mellem dørene.

- Det omgivende vejr kan være fugtigt, det er helt normalt i fugtigt vejr. >>> Kondensvandet spredes, når fugtigheden reduceres.

Det lugter dårligt indvendigt.

- Produktet rengøres ikke regelmæssigt. >>> Rengør interiøret regelmæssigt med svamp, varmt vand og kulsyreholdigt vand.
- Visse beholdere og emballagematerialer kan forårsage lugt. >>> Brug lugtfri beholdere og emballagematerialer.
- Fødevarer blev anbragt i uforseglede beholdere. >>> Opbevar fødevarer i forseglede beholdere. Mikroorganismer kan sprede sig fra uforseglede fødevarer og forårsage dårlig lugt.
- Fjern eventuel mad, der er udløbet eller fordærvet mad fra produktet.

Døren lukker ikke

- Madpakninger blokerer muligvis for døren. >>> Flyt alle genstande, der blokerer dørene.
- Produktet står ikke i fuldt lodret position på underlaget. >>> Juster skrueerne for at afbalancere produktet.
- Overfladen er ikke flad eller hård >>> Sørg for at overfladen er flad og tilstrækkelig hård til at bære produktet.

Hylden er skæv.

- Madvarer kan være i kontakt med den øverste del af skuffen. >>> Omorganisér fødevarer i skuffen.

Temperaturen på produktets overflade.

- Der kan observeres høje temperaturer mellem de to døre, på sidepanelerne og ved den bageste rist, mens produktet fungerer. Dette er normalt og kræver ikke service

Ventilatoren fortsætter med at virke, når døren åbnes.

- Ventilatoren kan fortsætter med at virke, når fryserdøren åbnes.



ADVARSEL: Hvis problemet fortsætter efter at have fulgt instruktionerne i dette afsnit, skal du kontakte din leverandør eller et godkendt værksted. Forsøg ikke at reparere produktet selv. Dette er normalt.

ANSVARSRFRASKRIVELSE / ADVARSEL

Nogle (enkle) fejl kan i tilstrækkelig grad håndteres af slutbrugeren uden sikkerhedsproblemer eller usikker anvendelse, forudsat at de udføres inden for grænserne og i overensstemmelse med følgende instruktioner (se afsnittet "Selvreparation").

Derfor medmindre andet er tilladt i afsnittet "Selvreparation" nedenfor, skal reparationer rettes til registrerede professionelle reparatører for at undgå sikkerhedsproblemer. En registreret professionel reparatør er en professionel reparatør, som producenten har givet adgang til listen over instruktioner og reservedele til dette produkt i henhold til metoderne beskrevet i lovgivningsmæssige retsakter i henhold til direktiv 2009/125/EF.

Imidlertid er det kun serviceagenten (dvs. autoriserede professionelle reparatører), som du kan nå gennem det telefonnummer, der er angivet i brugervejledningen/garantikortet eller gennem din autoriserede forhandler, der kan levere service under garantibetingelserne. Vær derfor opmærksom på, at reparationer udført af professionelle reparatører (som ikke er godkendt af variable Beko, annullerer garantien.

Selvreparation

Selvreparation kan udføres af slutbrugeren med hensyn til følgende reservedele: dørhåndtag, dørhængsler, bakker, kurve og dørtætninger (en opdateret liste er også tilgængelig på support.beko.com pr. 1. marts 2021

For at sikre produktsikkerhed og for at forhindre risiko for alvorlig personskade skal den nævnte selvreparation desuden udføres efter instruktionerne i brugervejledningen til selvreparation, eller som findes på support.beko.com Af hensyn til din sikkerhed skal du trække stikket ud af produktet, inden du prøver selvreparation. Slutbrugeres reparations- og reparationsforsøg på dele, der ikke er med på en sådan liste og/eller ikke følger instruktionerne i brugervejledningerne til selvreparation, eller som findes på support.beko.com, kan give anledning til sikkerhedsproblemer, der ikke kan henføres til Beko og annullerer produktets garanti.

Derfor anbefales det stærkt, at slutbrugere afstår fra forsøget på at udføre reparationer, der falder uden for den nævnte liste over reservedele, og i sådanne tilfælde kontakter autoriserede professionelle reparatører eller registrerede professionelle reparatører. Tværtimod kan sådanne forsøg fra slutbrugere medføre sikkerhedsproblemer og beskadige produktet og derefter forårsage brand, oversvømmelse, elektrisk stød og alvorlig personskade.

Som eksempel, men ikke begrænset til dette, skal følgende reparationer rettes til autoriserede professionelle reparatører eller registrerede professionelle reparatører: motor, pumpeasmling, hovedkort, motorkort, displaykort, varmelegemer osv.

Producenten/sælgeren kan ikke holdes ansvarlig i tilfælde, hvor slutbrugeren ikke overholder ovenstående.

Tilgængeligheden af reservedele til det køleskab, som du har købt er 10 år. I denne periode vil originale reservedele være tilgængelige til at bruge køleskabet korrekt. Garantiens minimumsvarighed for køleskabet, som du har købt, er 24 måneder.

Dette produkt indeholder en lyskilde med energiklasse 'G'.

Lyskilden i dette produkt må kun udskiftes af en professionel reparatør

Se også

2 DISCLAIMER / WARNING [] 24]

Considerations Regarding Errors of Use and Warranty

Lue tämä ohjekirja ennen kuin alat käyttämään tuotetta!

Hyvä asiakas

Lue tämä käyttöohje ennen tuotteen käyttöä.

Kiitos tämän Beko tuotteen valinnasta. Tahdomme, että saat optimaalisen hyödyn tämän nykyaikaisella tekniikalla valmistetun korkealuokkaisen tuotteen käytöstä. Lue siksi tämä käyttöohje ja muut tuotteen mukana toimitetut asiakirjat ennen tuotteen käyttöä ja säilytä niitä turvallisessa paikassa.

Noudata kaikkia varoituksia ja tietoja käyttöohjeessa. Tällä tavalla suojaat itseäsi ja tuotetta mahdollisilta vaaratilanteilta.

Säilytä käyttöohje. Anna tämä käyttöohje laitteen mukana, jos se luovutetaan toiselle henkilölle.

Tässä käyttöohjeessa käytetään seuraavia symboleja:



Vaara, jonka seurauksena voi olla kuolema tai henkilövahinko.



Tärkeitä tietoja ja hyödyllisiä vinkkejä.







Lue käyttöohje.



Syttyviä materiaaleja, varoitus tulipalovaarasta.

HUOMIO Vaara, joka voi johtaa tuotteen materiaali- tai ympäristövahinkoihin

| | | |
|--|---|--|
|  |  | Tuotetietokantaan tallennetut tuotetiedot löytyvät seuraavalta verkkosivulta ja voit etsiä tuotteesi energiatarraassa olevan tuotteen tunnisteella (*). https://eprel.ec.europa.eu/ |
| SUPPLIER'S NAME | MODEL IDENTIFIER → (*) | |
|  |  | |

| | |
|--|-----------|
| 1 Turvaohjeet | 60 |
| 1.1 Käyttötarkoitus | 60 |
| 1.2 Lasten, herkkien henkilöiden tai lemmikkieläinten turvallisuus | 60 |
| 1.3 Sähköturvallisuus | 61 |
| 1.4 Turvallinen käsittely | 62 |
| 1.5 Asennusturvallisuus | 62 |
| 1.6 Käyttöturvallisuus | 64 |
| 1.7 Elintarvikkeiden säilytysturvallisuus | 66 |
| 1.8 Turvallisuus huollon ja puhdistuksen aikana | 67 |
| 1.9 Vanhan tuotteen hävittäminen | 67 |
| 2 Ympäristöohjeet | 68 |
| 2.1 WEEE-direktiivin noudattaminen ja tuotteen hävittäminen | 68 |
| 3 Jääkaappisi | 69 |
| 4 Asennus | 69 |
| 4.1 Oikea asennuspaikka | 69 |
| 4.2 Sähköliitännät | 70 |
| 4.3 Muovikiilojen kiinnitys | 70 |
| 4.4 Jalkojen säätö | 71 |
| 4.5 Jääkaapin ja pakastimen asennus vierekkäin | 71 |
| 4.6 Kuuman pinnan varoitus | 71 |
| 5 Valmistelu | 71 |
| 5.1 Tapoja säästää energiaa | 71 |
| 5.2 Ensimmäinen käyttökerta | 72 |
| 5.3 Ilmastoluokka ja määritykset | 72 |
| 6 Koneen käyttäminen | 73 |
| 7 Laitteen käyttö | 73 |
| 7.1 Tuotteen ohjauspaneeli | 73 |
| 7.2 Ruoan säilytys jääkaappitilassa ... | 73 |
| 7.3 Vihanneslokero | 74 |
| 7.4 Oven kätisyden vaihto | 75 |
| 7.5 Ovi auki-hälytys | 75 |
| 7.6 Lampun vaihto | 75 |
| 7.7 AeroFlow | 75 |
| 8 Huolto ja puhdistus | 75 |
| 9 Vianetsintä | 76 |



1 Turvaohjeet

Tämä osio sisältää tarvittavat turvallisuusohjeet henkilövahinkojen ja materiaalien vahinkojen välttämiseksi.

Yrityksemme ei ole vastuussa näiden ohjeiden laiminlyömisestä johtuvista vaurioista.

Valtuutetun huollon tulee suorittaa aina asennus ja korjaukset.

Käytä vain alkuperäisiä varaosia ja varusteita.

Alkuperäiset varaosat ovat saatavissa 10 vuotta, ostopäivämäärästä lähtien.

Älä korjaa tai vaihda mitään osia tuotteeseen, jolle sitä erikseen ole mainittu käyttöoppaassa.

Älä suorita mitään muutoksia tuotteeseen.



1.1 Käyttötarkoitus

Tämä tuote ei sovellu kaupalliseen käyttöön eikä sitä pidä käyttää muuhun kuin sille suunniteltuun tarkoitukseen.

Tuote on tarkoitettu käyttöön asunnoissa, sisätiloissa ja vastaavissa paikoissa.

Esimerkiksi:

- työntekijöiden keittiötilat kaupoissa, toimistoissa ja muissa työympäristöissä,

- maataloilla,
- hotelliyksiköissä, motelleissa tai muissa lepotiloissa, jotka ovat asiakkaiden käytössä,
- hostelleissa tai vastaavissa ympäristöissä,
- tarjoilupalveluksissa ja vastaavissa ei-kaupallisissa käytöissä.

Tuotetta ei saa käyttää avoimissa tai suljetuissa ulkoisissa ympäristöissä, kuten alukset, parvekkeet tai terassit. Laitteen altistuminen sateelle, lumelle, auringonvalolle tai tuulelle aiheuttaa tulipalovaaran.

1.2 Lasten, heikkien henkilöiden tai lemmikkieläinten turvallisuus



- Tätä tuotetta voivat käyttää yli 8-vuotiaat lapset ja henkilöt joiden fyysiset, aistinvaraiset tai henkiset kyvyt ovat heikentyneet, tai joilla ei ole aikaisempaa kokemusta tai tietoa laitteen käytöstä, jos heitä valvotaan, tai jos he ovat saaneet opastusta koskien laitteen turvallista käyttötapaa, ja he ymmärtävät laitteen käyttöön liittyvät vaarat.

- 3 - 8 vuotiaat lapset voivat asettaa tai poistaa elintarvikkeita jäädytinlaitteesta.
- Sähkölaitteet ovat vaarallisia lapsille ja lemmikkieläimille. Lapset ja lemmikkieläimet eivät saa leikkiä laitteella, kiivetä sen päällä, tai mennä sen sisään.
- Lapset ilman valvontaa eivät saa suorittaa puhdistus- tai kunnossapitotoimintoja.
- Pidä pakkausmateriaalit poissa lasten ulottuvilta. Henkilövahingon tai tukehtumisen vaara.

Ennen vanhan tuotteen hävittämistä:

1. Irrota virtajohto seinäpistorasiasta.
 2. Katkaise virtajohto ja irrota se laitteesta pistokkeen kanssa.
 3. Älä poista telineitä ja laatikoita tuotteesta, jotta lapset eivät pääsisi laitteen sisään.
 4. Irrota ovet.
 5. Säilytä laitetta niin, ettei se pääse kaatumaan.
 6. Älä anna lasten leikkiä vanhalla tuotteella.
- Älä hävitä tuotetta heittämällä sitä tuleen. Räjähdyksivaara.

- Jos tuotteen ovessa on lukko, pidä sen avain lasten ulottumattomissa.

1.3 Sähköturvallisuus

- Tuotetta ei saa liittää virransyöttöön asennuksen, huollon, puhdistuksen, korjauksen ja kuljetuksen aikana.
- Jos virtajohto on vaurioitunut, on valtuutetun huoltoliikkeen korjattava se mahdollisten vaaratilanteiden välttämiseksi.
- Älä tunge johdolla tuotteen alle tai sen takapuolelle. Älä aseta raskaita esineitä johdolla päälle. Johto ei saa olla taivutettu, puristuksissa tai kosketuksissa lämpölähteisiin.
- Älä käytä jatkojohtoa, haarapistorasiaa tai sovitinta tuotteen käyttämiseksi.
- Kannettavat haarapistorasiat tai virtalähteet voivat ylikuumentua ja aiheuttaa tulipalon. Älä siksi aseta haarapistorasiaa tuotteen taakse tai läheisyyteen.
- Pistokkeeseen on aina päästävä helposti käsiksi. Jos tämä ei ole mahdollista, on sähkömääräyksiä noudattava mekanismi, joka kytkee kaikki liittimet irti virransyötöstä (varoke, kytkin, pääkytkin jne.) asennettava virransyöttöön.

- Älä kosketa pistoketta märin käsin.
- Älä irrota laitetta vetämällä virtajohdosta vaan pistokkeesta.



1.4 Turvallinen käsittely

- Irrota laite verkkovirrasta, ennen sen siirtämistä.
- Tuote on raskas, älä käsittele sitä yksin. Tuloksena voi olla henkilövahinko, jos tuote putoaa päällesi. Älä törmää esineisiin tai pudota laitetta kuljetuksen aikana.
- Sulje aina ovet äläkä kannan tuotetta sen ovista kuljetuksen aikana.
- Varo, ettei jäähdytysjärjestelmä ja putket vaurioidu tuotteen käsittelyn aikana. Älä käytä tuotetta, jos putket ovat vaurioituneet, ja ota yhteys valtuutettuun huoltoon.



1.5 Asennusturvallisuus

- Ota yhteyttä valtuutettuun asentajaan tuotteen asentamiseksi. Suorita asennusta varten tarvittavat esivalmistelut käyttöohjeessa kuvatulla tavalla, ja varmista sähkön- ja vedensaanti. Mikäli sähkö- ja putkiasennus ei ole oikea, ota yhteys

putkiasentajaan ja sähköasentajaan järjestääksesi tarvittavan sähkön- ja vedensaannin. Muutoin tämä voi johtaa sähköiskuun, tulipaloon, tuotteen käyttöongelmiin tai henkilövahinkoon.

- Tämä tuote on tarkoitettu käyttöön enintään 2000 metrin korkeudella merenpinnasta.
- Tarkasta tuote vaurioiden varalta ennen sen asennusta. Älä asenna tuotetta, jos se on vaurioitunut
- Käytä aina henkilönsuojaimia (käsineitä jne.) tuotteen asennuksen, huollon ja korjauksen aikana. Henkilövahingon vaara!
- Aseta tuote puhtaalle, tasaiselle ja kovalle pinnalle ja tasapainota se säädettävillä jaloilla (kierrä etujalkoja oikealle tai vasemmalle). Muuton jääkaappi voi kaatua ja aiheuttaa henkilövahingon.
- Tuote on asennettava kuivaan ja tuuletettuun ympäristöön. Älä aseta mattoja tai vastaavia lattiapeitteitä tuotteen alle. Tämä voi johtaa riittämättömästä ilmanvaihdosta johtuvaan tulipaloon.

- Älä tuki tai peitä ilmanvaihtoaukkoja. Muutoin virrankulutus kasvaa ja tuote voi vaurioitua.
- Varmista tuotteen asennuksen aikana, että virtajohto ei ole vaurioitunut tai puristuksissa.
- Älä liitä tuotetta virransyöttöjärjestelmiin, kuten aurinkovoiman syöttöjärjestelmiin. Äkilliset jännitevaihtelut voivat johtaa tuotevaurioihin.
- Mitä enemmän jääkaappi sisältää kylmäainetta, sen suurempi on huoneen oltava. Erittäin pienissä huoneissa voi syntyä syttyvä kaasu-ilma seoksia, jos jäähdytysjärjestelmässä tapahtuu kaasuvuoto. Vähintään 1 m³ tilavuus vaaditaan 8 kylmäainegrammalle. Kylmäainemäärä tuotteessa on määritetty tyyppikilvessä.
- Tuotteen asennuspaikka ei saa olla altistunut suoralle auringonpaisteelle eikä saa olla lämpölähteiden, kuten uunit, lämmityslaitteet jne. lähellä. Jos tuote on asennettava lämpölähteen lähelle, on sopivaa eristyslevyä käytettävä ja alla kuvattu minimietäisyys lämpölähteeseen pidettävä.
 - Vähintään 30 cm etäisyydellä lämpölähteistä, kuten uunit, lämmityslaitteet ja lämmittimet jne.
 - Vähintään 5 cm etäisyydellä sähköheloista.
- Tuotteen suojausluokka on I.
- Liitä tuote maadoitettuun pistorasiaan, jonka jännite, taajuus ja virta vastaavat tyyppikilvessä määritettyjä. Pistorasiassa on oltava 10 A – 16 A varoke. Yrityksemme ei ole vastuussa vaurioista, jotka johtuvat käytöstä ilman maadoitusta ja paikallisten ja kansallisten määräysten vastaisesta sähköliitännästä.
- Tuotteen virtajohto tulee irrottaa virtalähteestä asennuksen ajaksi. Muutoin tämä voi johtaa sähköiskuun.
- Älä liitä tuotetta löysään, vialliseen, likaiseen tai rasvaiseen pistorasiaan tai mahdollisesti vesikosketukseen joutuvaan pistorasiaan. Tämä liitántäytyppi voi johtaa ylikuumenemiseen ja tulipaloon.
- Sijoita tuotteen virtajohto ja letkut (jos olemassa) niin, että niihin ei voida kompastua.
- Kosteuden ja nesteiden pääsy virtaosiin tai virtajohtoon voi johtaa oikosulkuun. Älä siksi

käytä tuotetta kosteissa olosuhteissa tai tiloissa, joissa esiintyy vesiroiskeita (esim. autotalli, pyykkihuone jne.) Jos jääkaappi kastuu, irrota se virtalähteestä ja ota yhteys valtuutettuun huoltoon.

- Älä kytke jääkaappia virransäästölaitteisiin. Nämä järjestelmät voivat vahingoittaa laitetta.
- Kosketusvaara jännitteellisiin osiin, jos elektroniikkakortin suoja ja kompressorin takakansi (jos asennettu) poistetaan. Älä irrota elektroniikkakortin suojaa tai kompressorin takakantta (jos asennettu). Sähköiskunvaara!

1.6 Käyttöturvallisuus

- Älä käytä kemikaaleja tai liuottimia tuotteen puhdistamiseen. Nämä materiaalit muodostavat räjähdysvaaran.
- Jos toimintahäiriöitä esiintyy, irrota tuote virtalähteestä ja älä käytä sitä ennen kuin valtuutettu huoltoliike on korjannut sen. Sähköiskun vaara!
- Älä aseta avoliekkiä (esim. kynttilät, savukkeet jne.) tuotteen päälle tai sen läheisyyteen.
- Älä kiipeä tuotteen päälle. Putoamis- ja henkilövahingon vaara!
- Älä vaurioita jäähdytysjärjestelmän putkia terävillä tai lävistävillä työkaluilla. Puhkaistusta kaasuputkesta, putkijatkeista tai yläpinnoitteesta suihkuava kylmäaine voi aiheuttaa ihon ärsytystä tai silmävammoja.
- Älä sijoita tai käytä sähkölaitteita jääkaapin/ pakastimen sisällä, ellei valmistaja ole hyväksynyt tätä.
- Varo, että kätesi tai kehonosat eivät juutu liikkuviin osiin tuotteen sisällä. Varo, että sormesi eivät puristu jääkaapin ja sen oven väliin. Ole varovainen, kun avaat tai suljet oven, jos lapsia on lähettyvillä.
- Älä aseta jäätelöä, jääpaloja tai pakasteruokia heti suuhun, kun poistat ne pakastimesta. Paleltumisvamman vaara!
- Älä koske pakastimen sisäseiniin, metalliosiin tai pakastettuihin ruokiin märillä käsillä. Paleltumisvamman vaara!
- Älä sijoita juomatölkkejä tai nestettä sisältäviä tölkkejä ja pulloja, jotka voivat jäätymä, pakastinlokeroon. Tölkit ja

pullot voivat räjähtää.
Henkilövahingon tai
materiaalivaurion vaara!

- Älä käytä tai sijoita lämpötilaherkkiä materiaaleja, kuten syttyvät suihkeet, esineet, kuivajää tai muita kemikaaleja jääkaapin läheisyyteen. Tulipalo- ja räjähdysvaara!
- Älä aseta räjähdysalttiita aineita kuten aerosolipakkauksia joissa on herkästi syttyviä ponnekaasuja laitteen sisään.
- Älä aseta avoimia nestettä sisältäviä tölkkejä tuotteen päälle. Sähköosiin roiskuva vesi voi aiheuttaa sähköiskun tai tulipalon.
- Tätä tuotetta ei ole tarkoitettu lääkkeiden, veriplasman, laboratorionäytteiden, lääketuotedirektiivin mukaisten tai vastaavien materiaalien säilytykseen tai jäähdyttämiseen.
- Jos tuotetta käytetään käyttötarkoituksen vastaisesti, voi se vaurioitua tai siinä olevat tuotteet pilaantua.
- Jos jääkaappi on varustettu sinisellä valolla, älä katso sen sisään optisilla laitteilla. Älä katso suoraan UV LED-valoon

pitkiä aikoja. Ultravioletti säteily voi johtaa silmävammoihin.

- Älä ylitäytä tuotetta elintarvikkeilla. Henkilövahinko tai vaurio voi tapahtua, jos jääkaapin sisältö putoaa, kun ovi avataan. Vastaavia ongelmia voi esiintyä, jos esineitä asetetaan tuotteen päälle.
- Varmista, että lattialle mahdollisesti pudonnut vesi tai jää poistetaan mahdollisten henkilövahinkojen välttämiseksi.
- Muuta hyllyjen/pullotelineden paikkaa ovesa, kun ne ovat tyhjä. Henkilövahingon vaara!
- Älä aseta esineitä, jotka voivat pudota/kaatua laitteen päälle. Nämä esineet voivat pudota, kun ovi avataan tai suljetaan ja johtaa henkilövahinkoihin ja/tai materiaalivaurioihin.
- Älä iske lasipintoja tai altista niitä kovalle paineelle. Rikkoutunut lasi voi aiheuttaa henkilö- ja/tai materiaalivahinkoja.
- Tuotteen jäähdytysjärjestelmä sisältää R600a kylmäainetta. Tuotteessa käytetty kylmäaine on määritetty tyyppikilvessä. Tämä kaasu on syttyvää. Varo, ettei jäähdytysjärjestelmä ja

putket vaurioitu tuotteen käytön aikana. Jos putket ovat vaurioituneet:

1. älä koske tuotteeseen tai virtajohtoon.
2. pidä tuote etäällä tulilähteistä, jotka voivat johtaa tuotteen syttymiseen.
3. tuuleta tuotteen asennusalue. Älä käytä tuuletinta.
4. Ota yhteys valtuutettuun huoltoon.

Jos tuote on vaurioitunut ja havaitset kaasuvuodon, pysy etäällä kaasusta. Kaasu voi aiheuttaa paleltumisvammoja ihokosketuksesta.

Ennen vanhan tuotteen hävittämistä:

1. Irrota virtajohto seinäpistorasiasta.
 2. Katkaise virtajohto ja irrota se laitteesta pistokkeen kanssa.
 3. Älä poista telineitä ja laatikoita tuotteesta, jotta lapset eivät pääsisi laitteen sisään.
 4. Irrota ovet.
 5. Säilytä laitetta niin, ettei se pääse kaatumaan.
 6. Älä anna lasten leikkiä vanhalla tuotteella.
- Älä hävitä tuotetta heittämällä sitä tuleen. Räjähdysvaara.

- Jos tuotteen ovessa on lukko, pidä sen avain lasten ulottumattomissa.



1.7 Elintarvikkeiden säilytysturvallisuus

Huomioi seuraavat varoitukset elintarvikkeiden pilaantumisen estämiseksi:

- Ovien pitäminen auki pitkän aikaa johtaa lämpötilan nousemiseen tuotteen sisällä.
- Puhdista elintarvikkeisiin kosketuksessa oleva tyhjennysjärjestelmä säännöllisesti.
- Puhdista vesisäiliöt, joita ei ole käytetty 48 tuntiin ja vedensyöttöjärjestelmä, jota ei ole käytetty yli 5 viiteen päivään.
- Säilytä raakoja liha- ja kalatuotteita sopivissa lokeroissa tuotteessa. Näin ne eivät vuoda tai ole kosketuksissa toisiin ruokiin.
- Kahden tähden pakastinlokeroita käytetään esitätettyjen ruokien, jään valmistamiseen ja jäätelön säilytykseen.
- Yhden, kahden ja kolmen tähden lokerot eivät sovellu tuoreiden elintarvikkeiden pakastaminen.

- Jos kylmälaite on ollut tyhjä pitkän aikaa, sammuta tuote, sulata, puhdista ja kuivaa se tuotteen kotelon suojaamiseksi.

1.8 Turvallisuus huollon ja puhdistuksen aikana

- Älä vedä oven kahvasta, jos haluat siirtää tuotetta puhdistuksen yhteydessä. Kahva voi aiheuttaa henkilövamman, jos sitä vedetään liian lujaa.
- Älä puhdista tuotetta suihkuttamalla tai kaatamalla vettä tuotteen päälle ja sen sisään. Sähköiskun ja tulipalon vaara.
- Älä käytä tuotteen puhdistamiseen teräviä ja hankaavia työkaluja, puhdistusaineita, pesuaineita, kaasua, bensiiniä, tinneriä, alkoholia, lakkaa tai muita vastaavia aineita. Käytä tuotteen sisällä oleville elintarvikkeille turvallisia puhdistus- ja hoitotuotteita.
- Älä käytä höyryä tai höyrytettyjä puhdistusaineita tuotteen puhdistamiseen tai jään sulattamiseen sen sisältä.

- Höyry koskettaa jääkaapin virtaosiin ja aiheuttaa oikosulun tai sähköiskun.
- Pidä vesi etäällä tuotteen elektroniikkapiireistä tai valosta.
- Puhdista tuote puhtaalla, kuivalla pyyhkeellä ja popista pöly tai vieraat materiaalit tulppien kärjestä. Älä puhdista tulppaa märällä tai kostealla pyyhkeellä. Tämä voi johtaa tulipaloon tai sähköiskuun.

1.9 Vanhan tuotteen hävittäminen

Noudata alla olevia ohjeita vanhan tuotteen hävittämisen yhteydessä:

- Jos tuotteen ovesa on lukko, on se poistettava käytöstä, jotta lapset eivät voi jäädä vahingossa tuotteen sisään.
- Kylmäaineroiskeet voivat vahingoittaa silmiä. Älä vaurioita mitään kylmäainejärjestelmän osaa tuotteen hävittämisen aikana.
- Kompressorijölyn nieleminen tai jos se läpäisee ihon, voi johtaa kuolemaan.
- Tuotteen kylmäainejärjestelmä sisältää R600a-kaasua, kuten määritetty tyyppikyltissä.

Tämä kaasu on syttyvää. Älä hävitä tuotetta heittämällä sitä tuleen. Räjähdyksivaara!

2 Ympäristöohjeet

FI

2.1 WEEE-direktiivin noudattaminen ja tuotteen hävittäminen



Tämä tuote täyttää EU:n WEEE-direktiivissä (2012/19/EU) asetetut vaatimukset. Tässä tuotteessa on sen sähkö- ja elektroniikkalaiteromuluokan (WEEE) ilmaiseva symboli.

Tämä symboli tarkoittaa, että sitä ei saa hävittää muun kotitalousjätteen mukana käyttöikänsä lopussa. Tuote on luovutettava sopivaan sähkö- ja elektroniikkalaitteiden kierrätyksestä huolehtivaan keräyspisteeseen. Tietoja näiden keräyspisteiden sijainnista saat paikallisilta viranomaisilta tai liikkeestä, josta ostit laitteen. Jokainen kotitalous on tärkeässä roolissa vanhojen laitteiden kierrättämisessä. Käytetyn laitteen sopiva hävitystapa ehkäisee mahdollisia negatiivisia ympäristö- ja terveyshaittoja.

Yhdenmukaisuus RoHS-direktiivin kanssa

Tuote jonka ostit täyttää EU:n vaarallisten aineiden käytön rajoittamista koskevan direktiivin (2011/65/EU). Se ei sisällä haitallisia tai kiellettyjä materiaaleja jotka on määritelty direktiivissä.

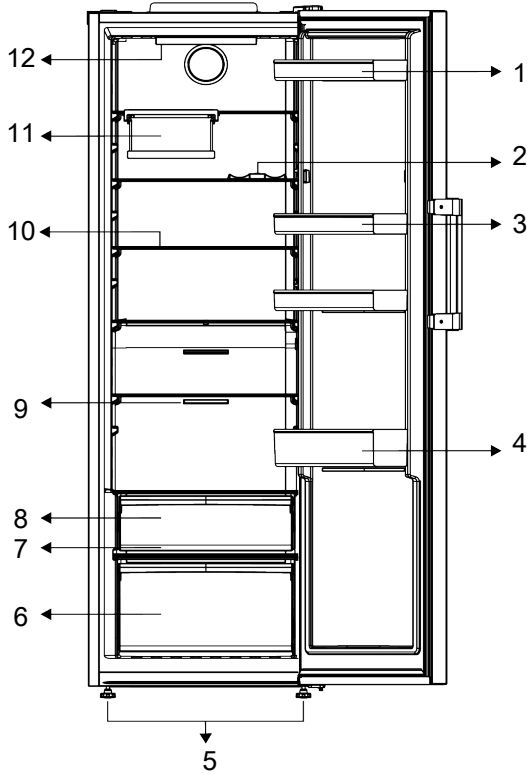


Pakkaustiedot

Tämän tuotteen pakkausmateriaalit on valmistettu käyttäen kierrätettäviä materiaaleja kansallisten ympäristöasetustemme mukaisesti. Älä hävitä pakkausmateriaaleja yhdessä kotitalous- tai muun jätteen mukana. Vie pakkausmateriaalit paikallisten viranomaisten osoittamaan keräyspisteeseen.

3 Jääkaappisi

FI



- | | |
|-------------------------------|---------------------------|
| 1 Kanamunapidike | 2 * Pullohylly |
| 3 Säädettävät hyllyt | 4 Säädettävä ovihylly |
| 5 Säädettävät etujalat | 6 Viileätila |
| 7 * Everfresh | 8 * Kylmäsäilytyslaatikko |
| 9 Puhallin | 10 Säädettävät hyllyt |
| 11 Kokoontaittuva viiniteline | 12 * Valaistus |

***Lisävaruste:** Tämän käyttöohjeen kuvat ovat viitteellisiä, eivätkä välttämättä vastaa täysin tuotettasi. Mikäli tuotteesi ei sisällä joitakin osia, tiedot koskevat muita malleja.

4 Asennus



Lue "Turvallisuusohjeet" osa ensin!

4.1 Oikea asennuspaikka

Ota yhteyttä valtuutettuun asentajaan tuotteen asentamiseksi. Suorita asennusta varten tarvittavat esivalmistelut

käyttöohjeessa kuvatulla tavalla, ja varmista sähkön- ja vedensaanti. Mikäli sähkö- ja putkiasennus ei ole oikea, ota yhteys putkiasentajaan ja sähköasentajaan järjestääksesi tarvittavan sähkön- ja vedensaannin.

**VAROITUS:**

Valmistaja ei hyväksy vastuuta valtuuttamattoman henkilön suorittamista töistä johtuvista vaurioista.

**VAROITUS:**

Tuotteen virtajohto tulee irrottaa virtalähteestä asennuksen ajaksi. Jos näin ei toimita, seurauksena saattaa olla vakava henkilövahinko tai kuolema!

**VAROITUS:**

Jos oviaukko ei ole riittävän leveä jääkaapille, irrota ovi ja käännä tuote sivuttain, jos tämä ei onnistu, ota yhteys valtuutettuun huoltoon.

- Sijoita tuote tasaiselle alustalle tärinöiden välttämiseksi.
- Sijoita tuote vähintään 30 cm etäisyydellä lämmittimistä, uuneista ja vastaavista lämpölähteistä ja vähintään 5 cm etäisyydelle sähköliesistä.
- Älä altista tuotetta suoralle auringonpaisteelle tai asenna sitä kosteisiin tiloihin.
- Tämä tuote vaatii riittävän ilmankierron toimiakseen tehokkaasti. Jos tuote sijoitetaan alkoviin, muista jättää vähintään 5 cm:n etäisyys tuotteen ja katon, taka- ja sivuseinien väliin.
- Tarkasta, onko takaseinän etäisyysuojakomponentti paikallaan (jos toimitettu tuotteen mukana).
- Jos komponentti ei ole saatavissa tai on kadonnut tai pudonnut, sijoita tuote niin, että vähintään 5 cm:n etäisyys on tuotteen takapinnan ja huoneen seinien välillä. Etäisyys takana on tärkeä tuotteen tehokkaan toiminnan varmistamiseksi.

4.2 Sähköliitännät



Älä käytä jatkojohtoja tai haarapistorasioita virtaliitännässä.



Vaurioitunut virtajohto tulee vaihtaa valtuutetun sähköasentajan toimesta.



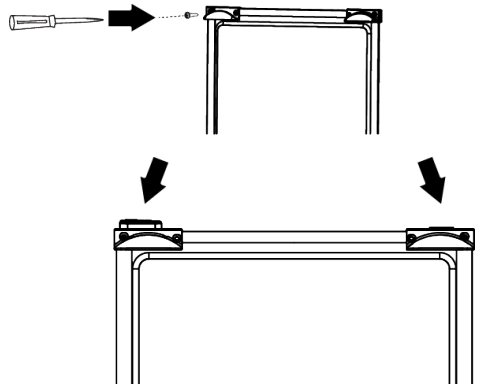
Kun kaksijääkaappia asennetaan vierekkäin, jätä vähintään 4 cm rako niiden väliin.

- Yrityksemme ei ole vastuussa vaurioista, jotka johtuvat käytöstä ilman maadoitusta ja kansallisten määräysten vastaisesta sähköliitännästä.
- Virtapistokkeen on oltava helposti ulottuvilla asennuksen jälkeen.
- Älä käytä haarapistoketta jatkojohtolla tai ilman, pistorasian ja jääkaapin välillä.

4.3 Muovikiilojen kiinnitys

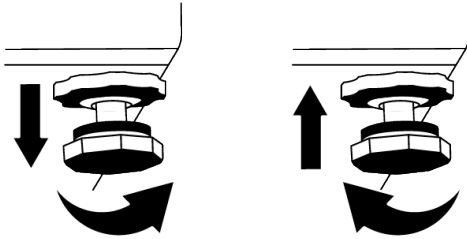
Käytä tuotteen mukana toimitettuja muovikiiloja riittävän ilmankierron varmistamiseen tuotteen ja seinän välillä.

1. Kiinnitä kiilat irrottamalla ruuvit tuotteesta ja käyttämällä kiilojen mukana toimitettuja ruuveja.
2. Kiinnitä 2 muovikiilaa tuuletuskanteen kuvassa esitetyllä tavalla.



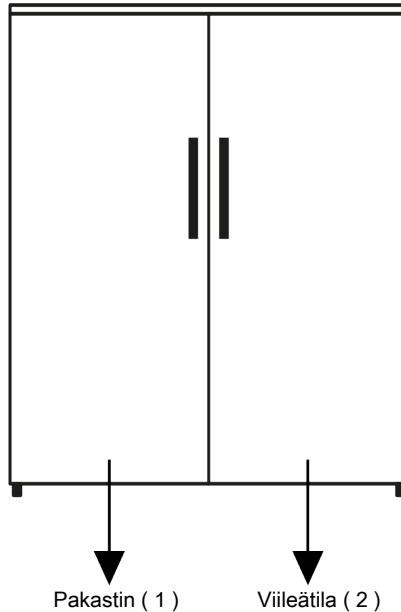
4.4 Jalkojen säätö

Jos tuote ei ole tasapainossa, säädä etujalkoja kiertämällä niitä oikealle tai vasemmalle.



4.5 Jääkaapin ja pakastimen asennus vierekkäin

Kun pakastin ja jääkaappi asennetaan vierekkäin, tulee pakastin (1) asentaa vasemmalle ja jääkaappi (2) oikealle puolelle. Kondensaation estämiseksi tuotteiden välillä, on kondensaation ehkäisyelementit sijoitettu jääkaapin vasemmalle puolelle.



4.6 Kuuman pinnan varoitus

Tuotteen sivuseinät on varustettu jäähdytysputkilla jäähdytysjärjestelmän parantamiseksi. Neste korkealla paineella

voi virrata näiden pintojen läpi ja johtaa sivuseinien kuumentumiseen. Tämä on normaalia, eikä vaadi huoltoa. Ole varovainen kosketuksessa näihin kohtiin..

5 Valmistelu



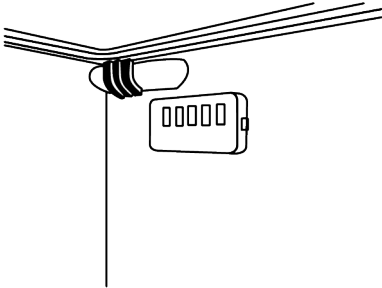
Lue "Turvallisuusohjeet" osa ensin!

5.1 Tapoja säästää energiaa



Tuote voi vaurioitua, jos se liitetään elektronisiin energiansäästöjärjestelmiin.

- Tätä jääkaappia ei ole tarkoitettu käyttöön sisäänrakennettuna laitteena.
- Älä pidä jääkaapin ovea auki pitkiä aikoja.
- Älä aseta kuumia ruokia ja tai juomia jääkaappiin.
- Älä ylitäytä jääkaappia, sisäisen ilmavirtauksen estäminen rajoittaa jäähdytyskapasiteettia.
- Koska kuuma ja kostea ilma ei pääse suoraan tuotteen sisään, kun sen ovet on suljettu, optimoi tuote itsestään ruoan säilytysolosuhteet. Näissä olosuhteissa toiminnot ja komponentit, kuten kompressorin, puhallin, lämmitin, sulatus, valaistus, näyttö jne. toimivat tarpeiden mukaan ja kuluttavat erittäin vähän energiaa.
- Jos usea vaihtoehto on olemassa, on lasihyllyt sijoitettava niin, että ilmanpoistoaukot takaseinässä eivät ole tukossa. Ne tulee jättää mieluiten lasihyllyn alle. Tämä yhdistelmä auttaa parantamaan ilmanjakelua ja energiatehokkuutta.
- Alla kuvatun laatikon käyttämistä säilytykseen suositellaan.
- Varmista, että ruoka ei kosketa alla kuvattuun jääkaapin lämpötila-anturiin.



- Jos se koskettaa anturiin, voi laitteen energiankulutus kasvaa
- Ruokaa tulee säilyttää laatikoissa jääkaapissa energian säästämiseksi ja ruoan suojaamiseksi.

5.2 Ensimmäinen käyttökerta

Ennen jääkaapin käyttämistä, varmista että kaikki esivalmistelut on suoritettu kohdissa "Turvallisuutta ja ympäristöä koskevat ohjeet" ja "Asennus" kuvatulla tavalla.

- Anna tuotteen olla päällä 6 tuntia tyhjänä, älä avaa sen ovea, ellei tämä ole välttämätöntä.
- Jääkaapin oven avaamisesta ja sulkemisesta johtuva lämpötilanvaihtelu voivat muodostaa kondensaatiota oveen/hyllyille asetettuihin elintarvikepakkausihin ja lasipurkkeihin.



Kompressorin käynnistyksestä kuuluu ääni. Neste ja kaasut jäähdytysjärjestelmän sisällä voivat myös aiheuttaa ääniä, vaikka kompressorin ei olisi käynnissä.



Jääkaapin etureunat voivat olla lämpimät. Nämä alueet ovat tarkoitettu lämpimiksi, kondensaation estämiseksi.



Joissakin malleissa näyttöpaneeli sammuu automaattisesti 1 minuutin kuluttua oven sulkemisesta. Se aktivoituu, kun ovi avataan tai jotain painiketta painetaan.

5.3 Ilmastoluokka ja määritykset

Katso ilmastoluokka laitteen arvokilvestä. Yksi seuraavista koskee laitetta esitetyn ilmastoluokan mukaan.

- **SN:** Pitkäaikainen lauhkea ilmasto: Jääkaappi on tarkoitettu käytettäväksi ympäristölämpötiloissa 10 °C ja 32 °C välillä.
- **N:** Lauhkea ilmasto: Jääkaappi on tarkoitettu käytettäväksi ympäristölämpötiloissa 16 °C ja 32 °C välillä.
- **ST:** Subtrooppinen ilmasto: Jääkaappi on tarkoitettu käytettäväksi ympäristölämpötiloissa 16 °C ja 38 °C välillä.
- **T:** Trooppinen ilmasto: Jääkaappi on tarkoitettu käytettäväksi ympäristölämpötiloissa 16 °C ja 43 °C välillä.

6 Koneen käyttäminen



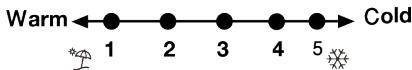
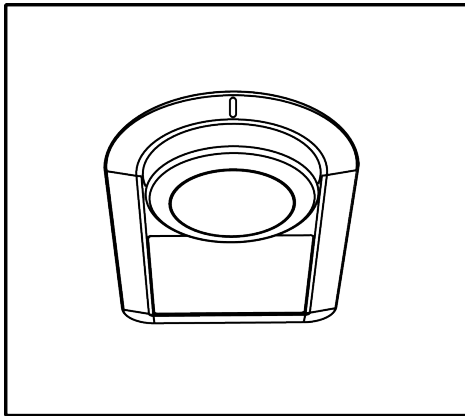
Lue "Turvallisuusohjeet" osa ensin!

- Tämä tuote ei sovellu ruoan pakastamiseen.
- Älä käytä mitään mekaanisia työkaluja tai muita kuin valmistajan suosittelemia työkaluja sulatuksen nopeuttamiseksi.
- Älä koskaan käytä jääkaapin osia, kuten ovia tai laatikoita, tukena tai askelmina. Tämä voi johtaa tuotteen kaatumiseen tai sen osien vaurioitumiseen.
- Tuotetta tulee käyttää vain elintarvikkeiden säilyttämiseen.

7 Laitteen käyttö

7.1 Tuotteen ohjauspaneeli

Käyttölämpötilaa ohjataan lämpötilan ohjaimella.



7.2 Ruoan säilytys jääkaappitilassa

- Tilan lämpötila nousee huomattavasti, jos tilan ovi avataan ja suljetaan toistuvasti ja pidetään auki pitkiä aikoja. Tämä voi lyhentää ruoan käyttöikää ja johtaa sen pilaantumiseen.
- Jotta haju- ja makumuutoksia ei esiintyisi, tulee ruokaa säilyttää suljetuissa pakkauksissa.

- Sulje vesihana, jos et ole kotona (esim. loman aikana) ja et käytä jääkonetta tai vedenannostelijaa pitkään aikaan. Muutoin vesivuotoja voi tapahtua.

Ohjelman keskeyttäminen

- Jos et käytä laitetta pitkään aikaan, irrota se verkkovirrasta.
- Poista ruoka sen sisältä hajujen ehkäisemiseksi.
- Anna jään sulaa, puhdista sisäosat ja anna sen kuivua, jätä ovi auki sisäisten muoviosien vaurioitumisen välttämiseksi.

1 = Alin jäähdytysasetus (Lämpimin asetus)
4= Korkein jäähdytysasetus (Kylmin asetus)
Jääkaappitilan keskilämpötilan tulee olla noin +5 °C.

Valitse asetus, joka on halutun lämpötilan mukainen.

Huomaa, että jääkaappitilassa on eri lämpötiloja.

Kylmin on juuri viileätilan yläpuolella.

Sisälämpötila riippuu myös ympäristölämpötilasta, oven avaamistiheydestä ja siinä säilytetystä ruokamäärästä.

Oven toistuva avaaminen johtaa sisälämpötilan nousemiseen.

Suosittelomme siksi, että ovi suljetaan mahdollisimman nopeasti sen avaamisen jälkeen.

- Älä säilytä liian suuria ruokamääriä jääkaapissa. Paremman ja tasaisemman jäähdytyksen varmistamiseksi, sijoita ruoka erilleen niin, että kylmä ilma kiertää niiden ympäri.
- Varmista ilmavirtaus jättämällä väliin ruoan ja sisäseinien väliin. Jos ruoka on takaseinää vasten, voi se jäättyä.

- Anna kuumien ruokien jäähtyä huonelämpötilaan, ennen niiden sijoittamista jääkaappiin. Sitten haalea ruoka voidaan sijoittaa jääkaapin alahyllyille. Älä aseta haaleaa ruokaa helposti pilaantuvien ruokien lähelle.
- Sulata pakastetut ruoat tuoreruokalokerossa. Näin voit jäähdyttää tuoreruokalokeron pakasteruoalla ja säästää energiaa.
- Kypsymättömien trooppisten hedelmien (mango, meloni, papaija, banaani, ananas) säilytys jääkaapissa voi nopeuttaa kypsyamisprosessia. Emme suosittele tätä, koska se lyhentää säilytysaikaa.
- Sipuleita, valkosipulia, inkivääriä ja muita juureksia tulee säilyttää pimeässä ja viileässä tilassa, ei jääkaapissa.
- Jos huomaat, että ruoka on pilaantunut jääkaapissa, hävitä tämä ruoka ja puhdista varusteet jotka ovat olleet kosketuksessa tähän ruokaan.
- Suurissa kattiloissa keitettyjen keittojen ja muhennosten jäähdyttämiseksi nopeasti, voit sijoittaa ne jääkaappiin jakamalla ne omiin mataliin pakkauksiin.
- Älä sijoita pakkaamattomia ruokia kananmunien lähelle.
- Pidä hedelmät ja vihannekset erillään ja säilytä niitä lajeittain, esimerkiksi: omenat omenoiden kanssa, porkkanat porkkanoiden kanssa)
- Poista vihreät vihannekset muovipusseista ja aseta ne jääkaappiin käärittyäsi ne paperipyyhkeeseen tai kuivauspyyhkeeseen. Jos peset tämän tyyppisen ruoan, kuivaa ne ennen sijoittamista jääkaappiin.
- Voit luoda kostean ympäristön ja hyvän ilmvirtauksen pitämällä kuivumiselle alttiit hedelmät ja vihannekset rei'itetystä tai avoimessa muovipussissa.
- Paitsi erikoistilanteissa, ääriympäristöolosuhteissa, jos tuote (suositeltujen asetusarvojen taulukko) on asetettu tietylle asetusarvolle, säilyttää ruoka tuoreuden pidemmän aikaa tuoreruoka- ja pakastinlokerossa.

| Säilytä ruokaa eri paikossa niiden ominaisuuksien mukaan: | |
|--|---|
| Ruoka | Sijainti |
| Kanamuna | Ovihylly |
| Maitotuotteet (voi, juusto) | Jos käytettävissä, nolla-aste (aamiairuoka) tila |
| Hedelmät, vihannekset ja salaatit | Hedelmä-vihanneslokero, viileä tai EverFresh+ tila (jos olemassa) |
| Tuore liha, linnunliha, kala, makkara jne. Keitetyt ruoat | Jos käytettävissä, nolla-aste (aamiairuoka) tila |
| Valmisruoat, pakatut tuotteet, purkkiruoat, säilötty ruoat | Ylähylly tai ovihylly |
| Luomat, pullot, mausteet ja välipalat | Ovihylly |

Elintarvikkeiden sijoittelu

Jääkaappitilan hyllyt: Ruoka kattilassa, peitettyllä lautasella tai suljetussa rasiassa, kananmunat (suljetussa rasiassa)

Suosittelujen asetusarvojen taulukko

| | |
|-----------------------|---|
| Jääkaappitilan asetus | Huomautukset |
| 4 °C | Tämä on oletusasetus. Tätä asetusta suositellaan, jos ympäristölämpötila on alle 30 °C. |

7.3 Vihanneslokero

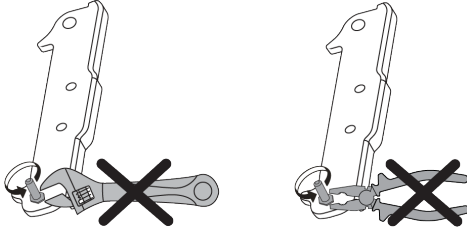
Jääkaapin vihanneslokero on tarkoitettu pitämään vihannekset tuoreina kosteuden ylläpitämisen avulla. Tämän

mahdollistamiseksi, on vihanneslokeron yleinen kylmän ilman kierrätys voimakkaampaa. Säilytä hedelmiä tai

vihanneksia tässä lokerossa. Pidä lehtvihannekset ja hedelmät erillään, niiden säilytysajan pidentämiseksi.

7.4 Oven kätisyyden vaihto

Jääkaapin oven kätisyys voidaan vaihtaa asennuspaikan vaatimusten mukaan. Suosittelemme, että valtuutettu huolto suorittaa tämän toimenpiteen.



7.5 Ovi auki-hälytys

Jääkaapin ovi auki -hälytysjärjestelmä voi erota kuvastusta mallista riippuen.

Versio 1;

Jos tuotteen ovi on auki tietyn ajan (60 - 120 s), äänimerkki kuuluu: myös merkivalvaroitus (valo vilkkuu) voidaan antaa tuotemallista riippuen. Jos laitteen ovi suljetaan tai painiketta näytöllä painetaan, jos olemassa, äänimerkki päättyy.

Versio 2;

Jos tuotteen ovi on auki tietyn ajan (60 - 120 s), ovi auki -hälytys kuuluu. Ovi auki -hälytys annetaan asteittain. Ensin kuuluu

äänimerkki. Jos ovea ei suljeta 4 minuutin kuluessa, merkivalvaroitus (vilkkuva valo) aktivoidaan. Ovi auki -hälytys viivästyy tietyn ajan (60 - 120 s), kun painiketta näytöllä painetaan, jos olemassa. Tämän jälkeen toiminto käynnistyy uudelleen. Ovi auki -hälytys päättyy, kun laitteen ovi suljetaan.

7.6 Lampun vaihto

Pyydä valtuutettua huoltoa vaihtamaan polttimo/LED-valo.

Laitteessa olevaa lampua ei voida käyttää asunnon lampuna. Valon tarkoitus on helpottaa ruokien sijoittamisessa jääkaappiin / pakastimeen.

7.7 AeroFlow

Tämä on ilmanjakelujärjestelmä, joka takaa tasaisen lämpötilan jakelun. Ilmankierron ansiosta tasainen lämpötilan jakelu varmistetaan tuoreruokalokerossa ja lämpötilan vaihtelut pysyvät alhaisina. Ilmaa ei puhalleta suoraan ruoan päälle ja tämä rajoittaa kosteushävikkiä. Se säilyttää ruoan tuoreuden jääkaapin tuoreruokalokerossa. Tällä tavalla ruoka säilytetään tasaisemmassa lämpötilassa ja kosketus ilmaan rajoitetaan. Kosteuden menettämisestä johtuva ruoan kuivuminen ja kutistuminen estetään ja ruoka pysyy tuoreena kauemmin.

8 Huolto ja puhdistus



VAROITUS:

Lue "Turvallisuusohjeet" osa ensin.



VAROITUS:

Irrota jääkaappi aina virransyötöstä ennen puhdistusta.

- Älä käytä teräviä tai hankaavia työkaluja tuotteen puhdistukseen. Älä käytä puhdistukseen tuotteita, kuten puhdistusaineet, saippua, pesuaineet, kaasu, bensiini, tinneri, alkoholi, vaha jne.

- Pöly on poistettava tuuletusritilästä tuotteen takaosassa vähintään kerran vuodessa (suojaa avaamatta). Puhdista tuote kuivalla kankaalla.
- Älä päästä vettä kosketukseen lampun suojan tai muiden sähköosien kanssa.
- Puhdista ovi kostealla liinalla. Poista kaikki sisältö ovitelineiden ja muiden lokeroiden poistamiseksi. Poista ovitelineet nostamalla niitä ylöspäin. Puhdista ja kuivaa hyllyt, kiinnitä ne paikalleen yläpuolelta.

- Älä käytä klooria tai muita puhdistusaineita tuotteen ulkopinnoilla tai kromipinnoilla. Kloori johtaa näiden metallipintojen ruostumiseen.
- Älä käytä teräviä, hankaavia työkaluja, saippuaa, kodin puhdistusaineita, pyykinpesuaineita, bensiiniä jne. muoviosien epämuodostumisen ja niissä olevien tekstien irtoamisen estämiseksi. Käytä haaleaa vettä ja pehmeää pyyhettä puhdistamiseen ja pyyhi kuivaksi.
- Jäätymättömille tuotteille, vesipisaroita ja jäätä sormenleveydeltä voi muodostua pakastintilan takaseinään. Älä poista sitä, älä koskaan käytä öljyä tai vastaavia materiaaleja.
- Käytä kevyesti kostutettua mikrokuitupyyhettä tuotteen ulkopintojen puhdistamiseen. Sienet ja vastaavat puhdistusliinat voivat naarmuttaa pintaa.
- Kaikkien irrotettavien osien puhdistamiseksi tuotteen sisäpintojen puhdistuksen yhteydessä, pese nämä osat miedolla saippuan, veden ja soodan sekoituksella. Pese ja kuivaa huolellisesti. Estä veden pääsy valaistuksen osiin ja ohjauspaneeliin.



HUOMIO:

Älä käytä viinietikkaa, spritiä tai muita alkoholi pohjaisia puhdistusaineita sisäpinnoilla.

FI

Ulkoiset ruostumattomat teräspinnat

Käytä hankaamatonta ruostumattoman teräksen puhdistusainetta ja pehmeää, nukkaamatonta pyyhettä. Kiillota pyyhkimällä pinta kevyesti vedellä kostutetulla mikrokuitupyyhkeellä ja käytä kuivaa kiillotussäämiskää. Pyyhi aina ruostumattoman teräksen syiden mukaisesti.

Hajujen ehkäiseminen

Tuote on valmistettu hajuttomista materiaaleista. Ruoan säilytys sopimattomissa osissa tai sisäpintojen virheellinen puhdistus voi kuitenkin johtaa hajujen muodostumiseen.

- Tämän välttämiseksi, puhdista sisäpinnat soodavedellä 15 päivän välein.
- Säilytä ruoka suljetuissa astioissa, koska mikro-organismit ruoasta avatuista säiliöistä aiheuttaa pahaa hajua.
- Älä säilytä vanhentuneita ja pilaantuneita ruokia jääkaapissa.

Muovipintojen suojaus

Muovipinnoille valunut öljy voi vaurioittaa pintoja ja on poistettava välittömästi lämpimällä vedellä.

9 Vianetsintä

Tarkista tämä lista, ennen kuin otat yhteyttä huoltopisteeseen. Näin säästät sekä aikaa että rahaa. Tämä luettelo sisältää yleisiä ongelmatilanteita, jotka eivät liity valmistusvirheisiin tai virheellisiin materiaaleihin. Tiedyt tässä mainitut ominaisuudet, eivät ehkä koske sinun tuotettasi.

Jääkaappi ei toimi.

- Virtapistoke ei ole kunnolla pistorasiassa. >>> Aseta virtapistoke kunnolla pistorasiaan.
- Pistorasiaan liittyvä sulake tai pääsulake on palanut. >>> Tarkista varokkeet.

Kosteuden tiivistyminen viileätilan sivuseiniin (MULTI ZONE, COOL CONTROL ja FLEXI ZONE).

- Ovi avataan liian usein. >>> Varo, ettet avaa laitteen ovea liian usein.
- Laitteen käyttöympäristö on liian kostea. >>> Älä asenna tuotetta kosteaan tilaan.
- Nesteitä sisältävät ruoat ovat avonaisissa astioissa. >>> Nesteitä sisältävät ruoat tulee säilyttää suljetuissa astioissa.
- Laitteen ovi on jätetty auki. >>> Älä pidä jääkaapin ovea auki pitkiä aikoja
- Termostaatti on asetettu liian alhaiseen lämpötilaan. >>> Aseta termostaatti asianmukaiseen lämpötilaan.

Kompressor ei toimi.

- Äkillisen virtakatkoksen yhteydessä tai vedettäessä virtapistoke pistokkeesta ja asetettaessa se jälleen takaisin, kaasupaine tuotteen jäähdytysjärjestelmässä ei ole tasapainossa, mikä laukaisee kompressorin turvakatkaisijan. Tuote käynnistyy tämän jälkeen noin 6 minuutin kuluttua. Jos laite ei käynnisty uudelleen tämän ajan kuluttua, ota yhteyttä valtuutettuun huoltoliikkeeseen.
- Sulatus on käynnissä. >>> Tämä on normaalia täysautomaattiselle sulatuslaitteelle. Sulatus suoritetaan tietyin väliajoin.
- Laitetta ei ole liitetty virtalähteeseen. >>> Varmista, että virtajohto on kiinni.
- Lämpötilan asetus on virheellinen. >>> Valitse asianmukainen lämpötila-asetus.
- Virtaa ei ole saatavilla. >>> Laitteen toiminta jatkuu normaalisti, kun virta palautuu.

Jääkaapin muodostama ääni lisääntyy käytön aikana.

- Laitteen toiminta voi vaihdella ympäristön lämpötilan vaihteluista riippuen. Tämä on normaalia, eikä kyseessä ole laitteen toimintahäiriö.

Jääkaappi käy liian usein tai liian pitkään.

- Uusi laite voi olla aikaisempaa suurempi. Suuremmat laitteet käyvät pidempiä aikoja.
- Huoneenlämpötila saattaa olla liian korkea. >>> Laite käy normaalisti kauemmin korkeammassa huoneenlämpötilassa.
- Laite on mahdollisesti äskettäin kytketty verkkovirtaan tai sen sisälle on laitettu uusi elintarvike. >>> Laitteelta kestää kauemmin saavuttaa asetettu lämpötila, mikäli pistoke on äskettäin kytketty pistorasiaan tai jääkaappiin on asetettu uusi elintarvike. Tämä on normaalia.
- Laitteeseen on asetettu äskettäin suuria määriä kuumia elintarvikkeita. >>> Älä aseta kuumaa ruokaa jääkaappiin.

- Ovia on avattu usein tai niitä on pidetty kauan auki. >>> Laite käy kauemmin sen sisällä liikkuvan lämpimän ilman vuoksi. Älä avaa ovea liian usein.
- Pakastimen tai jäähdyttimen ovi saattaa olla raollaan. >>> Tarkista, että kaikki ovet on suljettu hyvin.
- Laitteen lämpötila on saatettu asettaa liian alhaiseksi. >>> Aseta korkeampi lämpötila ja odota, että laite saavuttaa asetetun lämpötilan.
- Jääkaapin tai pakastimen oven tiiviste saattaa olla likainen, kulunut, rikki tai pois paikaltaan. >>> Puhdista tai vaihda tiiviste. Mikäli tiiviste on vaurioitunut, laite saattaa käydä kauemmin pitääkseen yllä valitun lämpötilan.

Pakastimen lämpötila on hyvin alhainen, mutta viileäkaapin lämpötila on riittävä.

- Pakastelokeron lämpötila on säädetty hyvin alhaiseksi. >>> Aseta pakastelokeron lämpötila korkeammaksi ja tarkista uudelleen.

Viileäkaapin lämpötila on matala, mutta pakastimen lämpötila on riittävä.

- Viileäkaapin lämpötila on säädetty hyvin alhaiseksi. >>> Aseta pakastelokeron lämpötila korkeammaksi ja tarkista uudelleen.

Viileäkaapissa pidetyt elintarvikkeet ovat jäässä.

- Viileäkaapin lämpötila on säädetty hyvin alhaiseksi. >>> Aseta pakastelokeron lämpötila korkeammaksi ja tarkista uudelleen.

Viileäkaapin tai pakastelokeron lämpötila on liian korkea.

- Viileäkaapin lämpötila on säädetty hyvin korkeaksi. >>> Viileätilan lämpötila-asetuksella on vaikutus pakastinlokeroon lämpötilaan. Odota, kunnes olennaisten osien lämpötila on saavuttanut riittävän tason, muuttamalla viileä- tai pakastintilan lämpötilaa.
- Ovia on avattu usein tai niitä on pidetty kauan auki. >>> Älä avaa ovea liian usein.
- Ovi saattaa olla rikki. >>> Sulje ovi kunnolla.

- Laite on mahdollisesti äskettäin kytketty verkkovirtaan tai sen sisälle on laitettu uusi elintarvike. >>> Tämä on normaalia. Laitteelta kestää kauemmin saavuttaa asetettu lämpötila, mikäli pistoke on äskettäin kytketty pistorasiaan tai jääkaappiin on asetettu uusi elintarvike.
- Laitteeseen on asetettu äskettäin suuria määriä kuumia elintarvikkeita. >>> Älä aseta kuumaa ruokaa jääkaappiin.

Tärinä tai ääni

- Alusta ei ole tasainen tai riittävän kestävä >>> Jos tuote tärisee, kun sitä liikutetaan hitaasti, säädä jalustaa laitteen tasapainottamiseksi. Varmista myös, että alusta kannattaa laitteen.
- Laitteen päälle asetetut esineet saattavat aiheuttaa ääniä. >>> Poista kaikki laitteen päälle asetetut esineet.
- Laitteesta kuuluu läikkyvän tai suihkuavan nesteen muodostamaa ääntä.
- Tuotteen toiminta perustuu nesteen ja kaasun virtaukseen. >>> Tämä on normaalia, eikä kyseessä ole laitteen toimintahäiriö

Laitteesta kuuluu puhaltavan tuulen ääni.

- Laite käyttää jäähdytykseen tuuletinta. Tämä on normaalia, eikä kyseessä ole laitteen toimintahäiriö.

Laitteen sisäseinissä on kondensoitunutta kosteutta.

- Kuuma ja kostea sää lisää jäätymistä ja kondensaatiota. Tämä on normaalia, eikä kyseessä ole laitteen toimintahäiriö.
- Ovia on avattu usein tai niitä on pidetty kauan auki. >>> Älä avaa ovia liian usein, mikäli ovi on auki, sulje se.
- Ovi saattaa olla rikki. >>> Sulje ovi kunnolla.

Laitteen ulkopinnoissa tai ovien välissä on tiivistynyttä kosteutta.

- Käyttöympäristön ilma saattaa olla kosteaa, tämä on normaalia kostealla säällä. >>> Tiivistynyt höyry haihtuu, kun kosteus vähenee.

Laitteen sisäpuoli haisee pahalta.

- Laitetta ei ole puhdistettu säännöllisesti. >>> Puhdista laitteen sisäpuoli säännöllisesti sienellä, lämpimällä vedellä ja hiilihapotetulla vedellä.
- Joistakin asioista ja pakkausmateriaaleista lähtee hajua. >>> Käytä hajuttomia astioita ja pakkausmateriaaleja.
- Elintarvikkeita ei ole säilytetty suljetuissa astioissa. >>> Säilytä ruoka suljetuissa astioissa. Mikro-organismit voivat levitä sulkemattomista astioista ja aiheuttaa hajua.
- Poista vanhentuneet tai pilaantuneet elintarvikkeet.

Ovi ei sulkeudu.

- Elintarvikepakkaukset saattavat estää ovea sulkeutumasta. >>> Tarkista, estääkö jokin pakkaus ovea sulkeutumasta.
- Laite ei ole alustallaan täysin pystysuorassa asennossa. >>> Säädä jalkoja tasapainottaaksesi laitteen.
- Alusta ei ole tasainen tai riittävän kestävä >>> Varmista, että alusta on tasainen a että se kantaa laitteen painon.

Vihanneslokeron on täynnä.

- Elintarvikkeet saattavat koskettaa vetolaatikon yläosaa. >>> Tarkista, miten elintarvikkeet ovat laatikossa.

Lämpötila tuotteen pinnoilla.

- Korkeita lämpötiloja voi esiintyä kahden oven välillä, sivupaneeleissa ja takaritilässä tuotteen käytön aikana. Tämä on normaalia, eikä vaadi huoltoa.

Puhallin toimii, vaikka ovi on avattu.

- Puhallin voi jatkaa toimimista, vaikka pakastimen ovi on avattu.



VAROITUS: Mikäli ongelma ei ratkea tässä osiossa annettuja ohjeita noudattaen, ota yhteyttä jälleenmyyjään tai valtuutettuun huoltoliikkeeseen. Älä yritä korjata tuotetta itse. Tämä on normaalia.

VASTUUVAPAUSLAUSEKE / VAROITUS

Loppukäyttäjä voi suorittaa joitakin (yksinkertaisia) korjauksia ilman turvallisuusongelmia tai käyttöturvallisuuden heikkenemistä, olettaen, että ne suoritetaan rajoitusten ja seuraavien ohjeiden mukaan (katso osa "Itsekorjaus").

Siksi, jos osassa "Itsekorjaus" ei ole muuta todettu, korjaukset on luovutettava rekisteröidylle ammattimaiselle asentajalle turvallisuusongelmien välttämiseksi. Rekisteröity ammattimainen asentaja on henkilö, jolla on pääsy tämän tuotteen valmistajan ohjeisiin ja varaosaluetteloon, direktiivin 2009/125/EC mukaan kuvattujen menetelmien mukaisesti.

Mutta vain huoltoedustaja (ts. valtuutettu ammattimainen asentaja), johon voit ottaa yhteyden käyttöohjeessa/takuukortissa olevasta puhelinnumerosta tai valtuutetun jälleenmyyjän kautta, joka suorittaa korjaukset takuehtojen mukaisesti. Huomaa siksi, että ammattimaisen asentajan suorittamat korjaukset (joita Beko ei ole valtuuttanut), mitätöi takuun. Itsekorjaus

Loppukäyttäjä voi suorittaa itsekorjaukset seuraavien varaosien kohdalla: Oven kahvat, oven saranat ja tiivisteet, lokerot, korit ja oventiivisteet (päivitetty luettelo on myös saatavissa osoitteessa support.beko.com 1, maaliskuuta 2021 lähtien).

Tämän lisäksi on tuoteturvallisuuden varmistamiseksi ja vakavien henkilövahinkojen välttämiseksi mainitut itsekorjaukset suoritettava käyttöohjeessa tai osoitteessa support.beko.com olevien itsekorjausta koskevien ohjeiden mukaan. Irrota laite virransyötöstä ennen korjausten aloittamista.

Loppukäyttäjän suorittamat korjaukset tai korjausyritykset osille, joita ei ole mainittu kyseisessä luettelossa ja/tai käyttöohjeessa tai osoitteessa support.beko.com olevien

itsekorjausohjeiden laiminlyöminen, voi johtaa turvallisuusongelmiin Beko hallinnan ulkopuolella ja voi mitätöidä tuotteen takuun.

Siksi suosittelemme, että loppukäyttäjät välttävät korjausten suorittamista, joita ei ole mainittu varaosaluettelossa, vaan ottavat yhteyden valtuutettuun tai rekisteröityyn ammattimaiseen asentajaan. Toisaalta nämä loppukäyttäjän suorittamat korjausyritykset voivat johtaa turvallisuusongelmiin ja tuotevaurioihin ja aiheuttaa tulipalon, tulvan, sähköiskun ja vakavaan henkilövahinkoon.

Esimerkkinä, mutta ei rajoittuen näihin, seuraavat korjaukset on luovutettava valtuutetulle tai rekisteröidylle ammattimaiselle asentajalle: kompressorin jäähdytyspiiri, emolevy, invertterin levy, näyttökortti jne.

Valmistajaa/myyjää ei voida pitää vastuussa, mikäli loppukäyttäjä ei noudata yllä mainittuja ohjeita.

Varaosat ovat saatavissa ostamaasi jääkaappiin 10 vuoden ajan. Tuotteeseen on tänä aikana saatavana alkuperäisiä varaosia joilla varmistetaan jääkaapin toimivuus.

Ostamasii jääkaapin minimitakuuaika on 24 kuukautta.

Tämä tuote sisältää 'G' energialuokan valolähteen.

Ammattitaitoisen korjaajan on vaihdettava tämän tuotteen valonlähde.

Katso myös

2 DISCLAIMER / WARNING [] 24]

FI



Considerations Regarding Errors of Use and Warranty

Les denne bruksanvisningen først!

Kjære kunde,

Les denne bruksanvisningen før du bruker produktet!

Takk for at du kjøpte dette Beko-produktet. Vi ønsker at du skal oppnå optimal effektivitet fra dette kvalitetsproduktet som er produsert med gjeldende teknisk nivå innen teknologi. For å oppnå dette, vennligst les bruksanvisningen og annen dokumentasjon besørget før du bruker produktet og behold den som referanse.

Følg nøye all informasjon og alle advarsler i bruksanvisningen. På denne måten beskytter du deg selv og produktet mot potensielle skader som kan oppstå.

Ta vare på bruksanvisningen. Inkluder denne bruksanvisningen sammen med enheten dersom den overleveres til noe andre.

De følgende symbolene brukes i denne brukerveiledningen:



Farer som kan medføre død eller skader.



Viktig informasjon om nyttige tips for bruken.







Les bruksanvisningen.



Brennbart materiale, advarsel mot brannfare.

MERK En fare som kan medføre materielle skader på produktet eller miljøet omkring

| | | |
|--|---|--|
|  |  | Modellinformasjonen som er lagret i produkt databasen kan nås ved å gå inn på følgende nettsted og søke etter din modellidentifikator (*) som finnes på energimerket. https://eprel.ec.europa.eu/ |
| SUPPLIER'S NAME | MODEL IDENTIFIER → (*) | |
|  |  | |

| | | |
|----------|---|------------|
| 1 | Sikkerhetsinstruksjoner | 86 |
| 1.1 | Tilsiktet bruk | 86 |
| 1.2 | Sikkerhet for barn, sårbare personer og kjæledyr..... | 86 |
| 1.3 | Elektrisk sikkerhet | 87 |
| 1.4 | Håndteringssikkerhet | 88 |
| 1.5 | Installasjonssikkerhet | 88 |
| 1.6 | Sikkerhet ved bruk | 90 |
| 1.7 | Sikkerhet ved mathåndtering..... | 92 |
| 1.8 | Sikkerhet ved vedlikehold og rengjøring | 93 |
| 1.9 | AvhendingAvhending av gamle produkter | 93 |
| 2 | Miljøinstruksjoner | 94 |
| 2.1 | Overholdelse av WEEE-direktivet og avhending av avfallsproduktet: | 94 |
| 3 | Kjøleskapet ditt..... | 95 |
| 4 | Installasjon | 95 |
| 4.1 | Riktig sted for installasjon | 95 |
| 4.2 | Elektrisk tilkobling | 96 |
| 4.3 | Festing av plastkiler | 96 |
| 4.4 | Justering av bena | 97 |
| 4.5 | Installasjon av kjøler- og fryserproduktene side ved side | 97 |
| 4.6 | Advarsel om varm overflate..... | 97 |
| 5 | Forberedelse | 97 |
| 5.1 | Hva kan du gjøre for å spare energi | 98 |
| 5.2 | Første bruk..... | 98 |
| 5.3 | Klimaklasse og definisjoner | 98 |
| 6 | Bruk av produktet | 99 |
| 7 | Bruk av apparatet | 99 |
| 7.1 | Kontrollpanel på produktet | 99 |
| 7.2 | Oppbevaring av mat i kjølerommet..... | 100 |
| 7.3 | Grønnsaksrom | 101 |
| 7.4 | Reversering av døråpningssiden .. | 101 |
| 7.5 | Varsel om åpen dør | 101 |
| 7.6 | Bytte av belysningslampen | 101 |
| 7.7 | AeroFlow | 101 |
| 8 | Vedlikehold og rengjøring | 102 |
| 9 | Feilsøking | 103 |

1 Sikkerhetsinstruksjoner

Denne delen inneholder sikkerhetsinstruksjonene som er nødvendige for å forhindre risikoen for personskade eller materiell skade.

Selskapet vårt skal ikke holdes ansvarlig for skader som kan oppstå dersom disse instruksjonene ikke følges.

Installasjons- og reparasjonsoperasjoner må alltid utføres av et autorisert serviceverksted.

Bruk kun originale reservedeler og tilbehør.

Originale reservedeler vil bli levert i 10 år etter datoen for kjøpet av produktet.

Ikke reparer eller erstatt noen komponenter av produktet med mindre det er tydelig spesifisert i brukerhåndboken.

Ikke utfør endringer på produktet.

1.1 Tilsiktet bruk

Dette produktet er ikke egnet for kommersiell bruk og bør ikke brukes til annet enn tiltenkt bruk. Dette produktet er designet for bruk innendørs, hjemme og på lignende steder.

For eksempel;

- På personalkjøkkenene i butikkene, kontorene og andre arbeidsmiljøer,
- I gårdshus,
- I områder i hoteller, moteller eller andre hvilefasiliteter som brukes av kundene,
- I herberger eller lignende miljøer,
- I cateringtjenester og lignende bruksområder som ikke omfatter butikker.

Dette produktet skal ikke brukes i åpne eller lukkede ytre miljøer som kar, balkonger eller terrasser. Å utsette produktet for regn, snø, sollys og vind kan medføre fare for brann.

1.2 Sikkerhet for barn, sårbare personer og kjæledyr

- Dette produktet kan brukes av barn i alderen 8 år og eldre og personer med underutviklede fysiske, sensoriske eller mentale evner eller mangel på erfaring og kunnskap dersom de er under tilsyn eller har fått instruksjoner om bruk av apparatet på en sikker måte og farer involvert.
- Barn mellom 3 og 8 år har lov til å sette og ta ut mat til/fra kjøleproduktet.

NO

- Elektriske produkter er farlige for barn og kjæledyr. Barn og kjæledyr må ikke leke med, klatre på eller gå inn i produktet.
- Rengjøring og brukervedlikehold skal ikke utføres av barn med mindre de overvåkes.
- Hold emballasjemateriale unna barn. Fare for skade og kvelning.

Før du kaster gamle produkter som ikke skal brukes lenger:

1. Trekk ut strømledningen fra stikkkontakten.
 2. Kutt strømledningen og ta den ut av apparatet sammen med støpselet.
 3. For å forhindre at barn kommer inn i apparatet må du ikke fjerne hyller eller skuffer fra produktet.
 4. Fjern dørene.
 5. Oppbevar produktet slik at det ikke velter.
 6. Ikke la barn leke med det kasserte produktet.
- Ikke avhend produktet ved å kaste det i brann. Fare for eksplosjon.
 - Hvis det er en lås tilgjengelig i produktets dør, hold nøkkelen utenfor barns rekkevidde.



1.3 Elektrisk sikkerhet

- Produktet skal ikke kobles til stikkkontakten under installasjon, vedlikehold, rengjøring, reparasjon og transport.
- Hvis strømkabelen er skadet, skal den kun erstattes av et autorisert serviceverksted for å unngå risikoer som kan oppstå.
- Ikke stikk strømkabelen under produktet eller bak på produktet. Ikke legg tunge gjenstander på strømkabelen. Strømkabelen skal ikke bøyes, knuses eller komme i kontakt med varmekilder.
- Ikke bruk skjøteledning, multiplugg eller adapter til å betjene produktet.
- Bærbare multistikkontakter eller bærbare strømforsyninger kan overopphetes og forårsake brann. Ikke ha en multiplugg bak eller i nærheten av produktet.
- Støpselet skal være lett tilgjengelig. Hvis dette ikke er mulig, skal en mekanisme som oppfyller lovgivningen om elektrisitet og som kobler alle terminaler fra strømmettet (sikring, bryter, hovedbryter osv.) være tilgjengelig på den elektriske installasjonen.

- Ikke berør tørketrommelen med våre hender.
- Når du kobler fra apparatet, hold ikke i strømledningen, men i støpselet.



1.4

Håndteringssikkerhet

- Koble fra apparatet før du bærer produktet.
- Dette produktet er tungt, ikke håndter det selv. Personskade kan oppstå hvis produktet faller på deg. Ikke støt på steder eller slipp produktet mens du transporterer det.
- Lukk alltid dørene og ikke hold produktet i dørene mens du transporterer det.
- Vær forsiktig så du ikke skader kjølesystemet og rørene mens du håndterer produktet. Ikke bruk produktet hvis rørene er skadet, og kontakt et autorisert serviceverksted.



1.5

Installasjonssikkerhet

- Kontakt autorisert serviceverksted for installasjon av produktet. For å klargjøre produktet for bruk, se informasjonen i brukerhåndboken og sørg for at nødvendig strøm- og vanntilførsel er på plass. Hvis ikke, ring en kvalifisert elektriker og rørlegger for å

ordne verktøyene etter behov. Unnlattelse av å gjøre dette kan føre til elektrisk støt, brann, problemer med produktet eller skade.

- Dette produktet er designet for bruk i en maksimal høyde på 2000 meter over havet.
- Se etter skader på produktet før du installerer det. Ikke ha produktet installert hvis det er skadet.
- Bruk alltid personlig verneutstyr (hansker osv.) under produktinstallasjon, vedlikehold og reparasjon. Fare for skade!
- Plasser produktet på en ren, jevn og hard overflate og balanser den med de justerbare bena (ved å rotere de fremre føttene til høyre eller venstre). Ellers kan kjøleskapet velte og forårsake skader.
- Produktet skal installeres i et tørt og ventilert miljø. Ikke oppbevar tepper, tepper eller lignende belegg under produktet. Dette kan forårsake brannfare som følge av utilstrekkelig ventilasjon!
- Ikke blokker eller dekk til ventilasjonshull. Ellers øker strømforbruket og produktet kan bli skadet.

- Når du plasserer produktet, sørg for at tilførselskabelen ikke er skadet eller klempt.
- Produktet må ikke kobles til forsyningssystemer slik som solenergi. Ellers kan produktet bli skadet på grunn av plutselige spenningsendringer!
- Jo mer kjølemiddel et kjøleskap inneholder, desto større bør installasjonsrommet være. I svært små rom kan det oppstå en brennbar gass/luftblanding ved gasslekkasje i kjølesystemet. Det kreves minst 1 m³ volum for hver 8 gram kjølemedium. Mengden kjølemediet som er tilgjengelig i produktet er spesifisert på typeetiketten.
- Installasjonsstedet for produktet skal ikke utsettes for direkte sollys og det skal ikke være i nærheten av varmekilder slik som ovner, radiatorer osv. Hvis du ikke kan forhindre at produktet installeres i nærheten av en varmekilde, kan du skal bruke egnet isolasjonsplate og minimumsavstand til varmekilden skal være som spesifisert nedenfor:
 - Minst 30 cm unna varmekilder som peisovner, ovner, varmeenheter og varmeovner osv.
 - Minst 5 cm fra elektriske ovner.
- Produktet ditt har beskyttelsesklassen I.
- Koble produktet til en jordet stikkontakt som samsvarer med spennings-, strøm- og frekvensverdiene spesifisert på typeskiltet. Stikkontakten skal ha en 10 A – 16 A sikring. Selskapet vårt påtar ikke ansvaret for skader som medfølger fra bruk uten jording og strømtilkopling i samsvar med lokale og nasjonale forskrifter.
- Strømkabelen til produktet må være frakoplet under monteringen. Ellers kan det oppstå fare for elektrisk støt og personskade!
- Ikke plugg produktets strømledning i løse, forskjøvede, ødelagte, skitne, oljete strømuttak som har en risiko for vannkontakt. Denne typen tilkoblinger kan forårsake overoppheting og brann.
- Plasser strømledningen og slangene (hvis tilgjengelig) til produktet slik at de ikke forårsaker fare for å snuble.
- Inntrengning av fuktighet og væske til strømførende deler eller til strømledningen kan forårsake kortslutning. Bruk

derfor ikke produktet i fuktige miljøer eller i områder der vann kan sprute (f.eks. garasje, vaskerom osv.) Hvis kjøleskapet er vått pga. vann, koble det fra og kontakt et autorisert serviceverksted.

- Koble aldri kjøleskapet til strømsparende enheter. Disse systemene er skadelige for produktet.
- Det er fare for kontakt med elektriske deler ved fjerning av deksel for elektronisk kortdeksel og kompressorens bakdeksel (hvis montert). Ikke fjern det elektroniske kortdekselet og kompressorens bakdeksel (hvis montert). Det er fare for elektrisk støt!

1.6 Sikkerhet ved bruk

- Ikke bruk kjemiske løsemidler på produktet. Disse materialene inneholder en eksplosjonsrisiko.
- I tilfelle feil på produktet, koble det fra og ikke bruk det før det er reparert av et autorisert serviceverksted. Det er fare for elektrisk støt!
- Ikke plasser en flammekilde (f.eks. stearinlys, sigaretter osv.) på produktet eller i nærheten av det.
- Ikke gå på produktet. Fare for fall og skade!
- Ikke forårsake skade på rørene til kjølesystemet ved hjelp av skarpe og gjennomtrengende verktøy. Kuldemediet som spruter ut ved punktering av gassrørene, rørforlengelsene eller de øvre overflatebeleggene kan forårsake irritasjon av hud og øyeskade.
- Ikke plasser og bruk elektriske apparater inne i kjøleskapet/fryseren med mindre det er anbefalt av produsenten.
- Ikke fest noen deler av hendene eller kroppen til de bevegelige delene inne i produktet. Vær forsiktig så du ikke klemmer fingrene mellom kjøleskapet og døren. Vær forsiktig når du åpner eller lukker døren hvis det er barn i nærheten.
- Ikke legg iskrem, isbiter eller frossen mat i munnen så snart du tar dem ut av fryseren. Fare for frostskaader!
- Ikke berør de indre veggene, metalldelene i fryseren eller maten som oppbevares inne i fryseren med våte hender. Fare for frostskaader!
- Ikke plasser brusbokser eller bokser og flasker som inneholder væsker som kan være frosset i fryserdelen.

- Bokser eller flasker kan eksplodere. Fare for personskade og materielle skader!
- Ikke bruk eller plasser materialer som er følsomme overfor temperatur, slik som brennbare sprayer, brennbare gjenstander, tørris eller andre kjemiske midler, i nærheten av kjøleskapet. Fare for brann og eksplosjon!
 - Ikke oppbevar eksplosive materialer som spraybokser med brennbare materialer inne i produktet.
 - Ikke plasser bokser som inneholder væske over produktet i åpen tilstand. Spruting av vann på en elektrisk del kan forårsake fare elektrisk støt eller brann.
 - Dette produktet er ikke beregnet for oppbevaring og kjøling av medisiner, blodplasma, laboratoriepreparater eller lignende materialer og produkter som er underlagt medisinproduktdirektivet.
 - Hvis produktet ikke brukes til det tiltenkte formålet, kan det føre til skade på eller forringelse av produktene som holdes inne.
 - Hvis kjøleskapet er utstyrt med blått lys, ikke se på det lyset med optiske enheter. Ikke stirr direkte på UV LED-lys over lengre tid. Ultrafiolette stråler kan forårsake belastning på øynene.
 - Ikke fyll produktet med mer innhold enn kapasiteten. Personskader eller materielle skader kan oppstå hvis innholdet i kjøleskapet faller ned når døren åpnes. Lignende problemer kan også oppstå når en gjenstand plasseres over produktet.
 - Forsikre deg om at du har fjernet eventuell is eller vann som kan ha falt på gulvet for å forhindre skader.
 - Endre kun plasseringen av stativene/flaskestativene på døren til kjøleskapet bar når stativene er tomme. Fare for skade!
 - Ikke plasser gjenstander som kan falle/velte på produktet. Disse gjenstandene kan falle ned mens du åpner eller lukker døren og forårsake personskader og/eller materielle skader.
 - Ikke slå eller utøv for stort trykk på glassoverflater. Knust glass kan forårsake personskader og/eller materielle skader.

- Kjølesystemet i produktet inneholder R600a-kjølemiddel. Kuldemedietypen som brukes i produktet er spesifisert på typeskiltet. Denne gassen er brennbar. Vær derfor forsiktig så du ikke skader kjølesystemet og rørene mens du bruker produktet. Ved skade på rørene;

1. Ikke berør produktet eller strømkabelen.
2. Hold produktet unna potensielle brannkilder som kan føre til at produktet tar fyr.
3. Ventiler området der produktet er plassert. Ikke bruk vifte.
4. Kontakt autorisert serviceverksted.

Hvis produktet er skadet og du ser gasslekkasje, hold deg unna gassen. Gass kan forårsake frostskafer hvis den kommer i kontakt med huden din.

Før du kaster gamle produkter som ikke skal brukes lenger:

1. Trekk ut strømledningen fra stikkontakten.
2. Kutt strømledningen og ta den ut av apparatet sammen med støpselet.
3. For å forhindre at barn kommer inn i apparatet må du ikke fjerne hyller eller skuffer fra produktet.

4. Fjern dørene.
 5. Oppbevar produktet slik at det ikke velter.
 6. Ikke la barn leke med det kasserte produktet.
- Produktet må ikke avhendes i ild. Fare for eksplosjon.
 - Hvis det er en lås tilgjengelig på produktets dør, hold nøkkelen utenfor barns rekkevidde.



1.7 Sikkerhet ved mathåndtering

Vær oppmerksom på følgende advarsler for å unngå fordervelse av mat:

- Å la dørene stå åpne i lang tid kan føre til at temperaturen inne i produktet øker.
- Rengjør de tilgjengelige dreneringssystemene regelmessig i kontakt med mat.
- Rengjør vannbeholdere som ikke har vært brukt på 48 timer og vannledninger som ikke har vært brukt på mer enn 5 dager.
- Oppbevar rått kjøtt og fiskeprodukter i passende rom i produktet. Dermed vil den ikke dryppe på eller kommer i kontakt med andre matvarer.
- Tostjerners fryserdeler brukes til å oppbevare ferdigfylte matvarer, lage og oppbevare is og iskrem.

- En-, to- og trestjerners rom er ikke egnet for frysing av fersk mat.
- Hvis kjøleproduktet har stått tomt i lang tid, må du slå av produktet, tine, rengjøre og tørke produktet for å beskytte huset til produktet.

1.8 Sikkerhet ved vedlikehold og rengjøring

- Ikke trekk i dørhåndtaket hvis du skal flytte produktet for rengjøringsformål. Håndtaket kan forårsake skader hvis det trekkes for hardt.
- Ikke rengjør produktet ved å spraye eller helle vann på og inne i produktet. Fare for elektrisk støt og brann.
- Når du rengjør produktet, må du ikke bruk skarpe og slipende verktøy eller husholdningsrengjøringsmidler, vaskemiddel, gass, bensin, fortynningsmiddel, alkohol, lakk og lignende stoffer. Bruk kun rengjørings- og vedlikeholdsmidler som ikke er skadelige for mat inne i produktet.
- Ikke bruk damp eller dampede rengjøringsmaterialer til å rengjøre produktet og tine innvendig is. Damp kommer i

kontakt med de strømførende områdene i kjøleskapet ditt og forårsaker kortslutning eller elektrisk støt!

- Pass på å holde vann unna de elektroniske kretsene eller belysningen til produktet.
- Bruk en ren, tørr klut til å tørke av støv eller fremmedlegemer på støpslenes tuper. Ikke bruk en våt eller fuktig klut til å rengjøre pluggen. Ellers kan det oppstå fare for brann eller elektrisk støt.

1.9



Avhending av gamle produkter

Det er viktig å følge instruksjonene nedenfor, når du skal avhende gamle produkter:

- For å forhindre barn i å lukke seg selv inne i produktet, må man deaktivere en eventuell låsemekanisme.
- Kjølevæskesprut er skadelig for øynene. Unngå å skade noen del av kjølesystemet mens produktet blir avhendet.
- Svelging av kompressorolje kan være dødelig. Det samme gjelder dersom det kommer ned i pusterøret.

- Kjølesystemet på produktet ditt inneholder R600a-gass, som oppgitt på typemerkingen.

Denne gassen er brennbar. Produktet må ikke avhendes i ild. Eksplosjonsfare!

2 Miljøinstruksjoner

2.1 Overholdelse av WEEE-direktivet og avhending av avfallsproduktet:



Dette produktet er i samsvar med EUs WEEE-direktiv (2012/19/EU). Dette produktet har et klassifiseringssymbol for kasserte elektriske og elektroniske produkter (EE-

avfall).

Dette symbolet indikerer at dette produktet ikke skal avhendes med annet husholdningsavfall etter endt levetid. Brukt utstyr må returneres til et offisielt innsamlingssted for gjenvinning av elektriske og elektroniske apparater. For å finne disse innsamlingssystemene, kan du kontakte lokale myndigheter eller forhandleren der produktet ble kjøpt. Hver husholdning har en viktig rolle å spille i gjenoppretting og gjenvinning av gamle

apparater. Passende avhending av brukte apparater bidrar til å forhindre potensielle negative konsekvenser for miljøet og menneskers helse.

Overholdelse av RoHS-direktivet

Produktet du har kjøpt er i samsvar med EUs RoHS-direktiv (2011/65/EU). Det inneholder ikke skadelige og forbudte materialer som er spesifisert i direktivet.

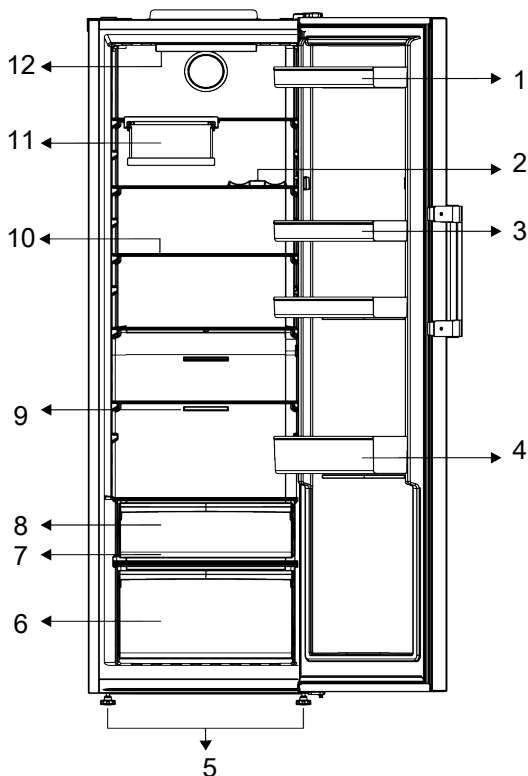


Emballasjeinformasjon

Emballasjematerialene til produktet er laget av resirkulerbare materialer i samsvar med våre nasjonale miljøforskrifter. Emballasjematerialene skal ikke avhendes sammen med husholdningsavfall eller andre typer avfall. Ta dem til mottak for emballasjemateriale som er utpekt av lokale myndigheter.

NO

3 Kjøleskapet ditt



NO

- | | |
|----------------------------|----------------------|
| 1 Eggholder | 2 * Flaskehylle |
| 3 Justerbare hyller | 4 Justerbar dørhylle |
| 5 Justerbare føtter foran | 6 Grønnsaksrom |
| 7 * Everfresh | 8 * Kjøleskapsrom |
| 9 Vifte | 10 Justerbare hyller |
| 11 *Sammenleggbar vinhylle | 12 * Belysningslampe |

***Valgfritt:** Figurene i denne bruksanvisningen er omtrentlige, og tilsvarer ikke nødvendigvis ditt produkt

nøyaktig. Dersom produktet ikke inneholder de relevante delene, gjeler denne informasjonen for andre modeller.

4 Installasjon



Les avsnittet "Sikkerhetsinstruksjon er" først!

4.1 Riktig sted for installasjon

Kontakt autorisert serviceverksted for installasjon av produktet. For å klargjøre produktet for installasjon, se informasjonen i brukerhåndboken og sørg for at nødvendig

strøm- og vanntilførsel er på plass. Hvis ikke, ring en elektriker og rørlegger for å ordne verktøyene etter behov.



ADVARSEL:

Produsenten påtar seg ikke noe ansvar for skader som skyldes arbeid utført av uvedkommende.



ADVARSEL:

Strømkabelen til produktet må være frakoplet under monteringen. Unnlatelse av å gjøre dette kan føre til død eller alvorlige skader!



ADVARSEL:

Dersom spennvidden til døren er for smal for produktet, kan du fjerne døren og snu produktet sidelengs. Dersom dette ikke fungerer, ta kontakt med det autoriserte sørvissenteret.

- Plasser produktet på en flat overflate for å unngå vibrasjoner.
- Plasser produktet minst 30 cm fra varmeovn, komfyr og lignende varmekilder og minst 5 cm fra elektriske ovner.
- Produktet skal ikke utsettes for direkte sollys eller oppbevares i fuktige omgivelser.
- Produktet krever tilstrekkelig luftsirkulasjon for å fungere effektivt. Dersom produktet plasseres i en alkove, må du la det være en klaring på minst 5 cm mellom produktet og taket, bakveggen og veggene.
- Kontroller om beskyttelseskomponenten for bakveggsklaringen er til stede der det er plassert (dersom den følger med produktet).
- Dersom komponenten ikke er tilgjengelig, eller dersom den er mistet eller har falt, må du plassere produktet slik at det er minst 5 cm klaring mellom den bakre overflaten til produktet og veggene i rommet. Avstanden bak er viktig for at produktet skal fungere effektivt.

4.2 Elektrisk tilkobling



Ikke bruk skjøte- eller multikontakter til strømtilkobling.



Skadd strømkabel må erstattes av et autorisert sørvissenter.



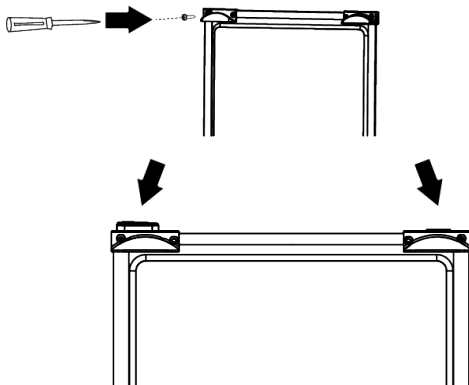
Når du plasserer to kjølere i tilstøtende posisjon, må du la det være en avstand på minst 4 cm mellom de to enhetene.

- Selskapet vårt påtar ikke ansvaret for skader som medfølger fra bruk uten jording og strømtilkobling i samsvar med nasjonale forskrifter.
- Støpselet må være lett tilgjengelig etter installering.
- Ikke bruk multigruppestøpsel med eller uten skjøteledning mellom stikkkontakten og kjøleskapet.

4.3 Festing av plastkiler

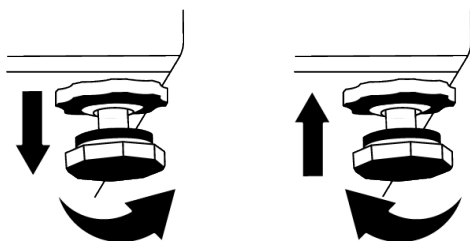
Bruk plastkilene som følger med produktet for å opprettholde tilstrekkelig rom til luftsirkulasjon mellom produktet og veggene.

1. For å feste kilene fjerner du skruene på produktet og bruker skruene som følger med kilene.
2. Fest 2 plastkiler på ventilasjonsdekselet som vist på figuren.



4.4 Justering av bena

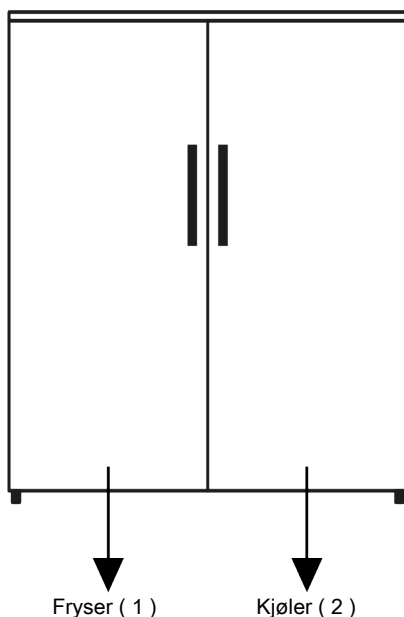
Dersom produktet ikke er i balansert posisjon, kan du justere de justerbare føttene foran ved å rotere dem til høyre eller venstre.



4.5 Installasjon av kjøler- og fryserproduktene side ved side

Når fryser- og kjølerproduktene er installert side om side, bør installasjonen utføres slik at fryserproduktet (1) er til venstre og kjølerproduktet (2) til høyre. For å forhindre svetteproblemer som kan oppstå mellom produktene, er antikondenserelementer plassert på venstre side av kjøleproduktet.

NO



4.6 Advarsel om varm overflate

Produktets sidevegger er utstyrt med kjøligere rør for å forbedre kjølesystemet. Høytrykksvæske kan strømme gjennom disse overflatene og føre til varme

overflater på sideveggene. Dette er normalt og krever ikke sørvisarbeid. Vær forsiktig når du kommer i kontakt med disse områdene.

5 Forberedelse



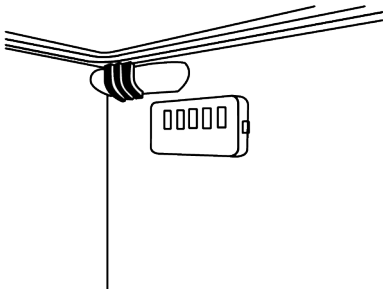
Les avsnittet "Sikkerhetsinstruksjon er" først!

5.1 Hva kan du gjøre for å spare energi



Å kople produktet til elektroniske energisparingsystemer kan skade produktet.

- Dette kjøleskapet er ikke ment å skulle brukes som innebygd apparat.
- Ikke la kjøleskapsdørene stå åpne i lengre perioder.
- Ikke sett varm mat eller drikke i kjøleskapet.
- Ikke overfyll kjøleskapet. Blokkering av den interne luftstrømmen reduserer kjølekapasiteten.
- Siden varm og fuktig luft ikke trenger direkte inn i produktet når dørene ikke er åpne, optimaliserer produktet seg selv under tilstrekkelige forhold for å beskytte maten. Under disse forholdene vil funksjoner og komponenter slik som kompressor, vifte, varmeapparat, tining, belysning, display etc. fungere i henhold til behovene ved å forbruke minimalt med energi
- Dersom det finnes flere alternativer, må glasshyllene plasseres slik at luftutløpene på bakveggen ikke blokkeres, fortrinnsvis så de forblir under glasshyllen. Denne kombinasjonen kan bidra til å forhindre luftfordeling og energieffektivitet.
- Det anbefales på det sterkeste å bruke skuffen under oppbevaring.
- Kontroller at maten ikke er i kontakt med temperatursensoren for kjølerommet beskrevet nedenfor.



- Hvis de er i kontakt med sensoren, kan energiforbruket til apparatet øke
- Mat skal oppbevares ved bruk av skuffene i kjølerommet for å sikre energisparing og beskytte mat under bedre forhold.

5.2 Første bruk

Før du tar i bruk kjøleskapet, må du kontrollere at nødvendige forberedelser er gjort i tråd med instruksjonene i avsnittene "Sikkerhets- og miljøinstrukser" og "Installering".

- Hold produktet i gang uten å ha mat i løpet av 6 timer og ikke åpne døren, med mindre det er absolutt nødvendig.
- Temperaturendringen forårsaket av åpning og lukking av døren mens du bruker produktet, kan normalt føre til kondens på dør-/hoveddelhyller og glassvarer plassert i produktet.



Når kompressoren aktiveres, avgis det et lydsignal. Det er normalt at produktet lager støy selv om kompressoren ikke er i drift, da væske og gass kan bli komprimert i kjølesystemet.



Det er normalt for de fremre kantene av kjøleskapet å bli varme. Disse områdene er utviklet for å varmes opp for å hindre kondensering.



For noen modeller slås indikatorpanelet av automatisk 1 minutt etter at døren lukkes. Den aktiveres på nytt når døren er åpen eller du trykker på en knapp.

5.3 Klimaklasse og definisjoner

Se klimaklassen på typeskiltet til enheten din. En av følgende informasjon gjelder for enheten din i henhold til klimaklassen.

- **SN:** Langsiktig temperert klima: Denne kjøleenheten er designet for bruk ved omgivelsestemperaturer mellom 10 °C og 32 °C.
- **N:** Temperaturklima: Denne kjøleenheten er designet for bruk ved omgivelsestemperaturer mellom 16°C og 32 °C.

- **ST:** Subtropisk klima: Denne kjøleenheten er designet for bruk ved omgivelsestemperaturer mellom 16°C og 38°C.
- **T:** Tropisk klima: Denne kjøleenheten er designet for bruk ved omgivelsestemperaturer mellom 16°C og 43°C.

NO

6 Bruk av produktet



Les avsnittet "Sikkerhetsinstruksjon er" først!

- Dette produktet er ikke egnet for frysing av mat.
- Ikke bruk mekaniske verktøy eller andre verktøy de som er anbefalt av produsenten til å tine matvarer raskere.
- Ikke bruk deler av kjøleskapet slik døren eller skuffene som en støtte eller trinn. Dette kan føre til at produktet faller overende eller at dets komponenter blir skadet.
- Produktet skal kun brukes til oppbevaring av mat.

- Slå av vannventilen dersom du er borte fra hjemmet (f.eks. på ferie), og du ikke skal bruke ismaskinen eller vanddispenseren over en periode. Ellers kan det oppstå vannlekkasjer.

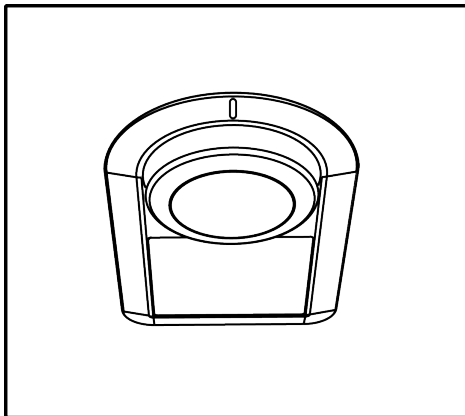
Pause programmet



- Hvis du ikke skal bruke produktet på lang tid, kobler du produktet fra stikkontakten.
- Fjern maten for å hindre dårlig lukt,
- Vent til isen smelter, rengjør interiøret og la det tørke, la dørene stå åpne for å unngå å skade den indre kroppens plastikk.

7 Bruk av apparatet

7.1 Kontrollpanel på produktet

Driftstemperaturen reguleres av temperaturkontrollen.



Warm ← ● 1 ● 2 ● 3 ● 4 ● 5 ● → Cold
 

1=Laveste innstilling for kjøling (varmeste innstilling)

4= Høyeste kjøleinnstilling (kaldeste innstilling)

Gjennomsnittstemperaturen inne i kjølerommet bør være rundt +5 °C. Velg en innstilling basert på ønsket temperatur.

Vær oppmerksom på at det vil være forskjellige temperaturer i kjøleområdet. Den kaldeste sonen er like over grønnsaksrommet.

Innendørstemperaturen avhenger også av omgivelsestemperatur, hvor ofte døren åpnes og mengden mat i kjøleskapet. Hvis du åpner døren ofte, øker den innvendige temperaturen.

Det anbefales derfor at du lukker døren så snart som mulig etter at du har åpnet den, uansett årsak.

7.2 Oppbevaring av mat i kjølerommet

- Romtemperaturen stiger markant hvis døren åpnes og lukkes ofte og holdes åpen i lang tid, dette kan redusere levetiden til maten og føre til at maten blir dårlig.
- For ikke å forårsake lukt- og smaksendringer bør maten oppbevares i de lukkede beholderne.
- Ikke oppbevar for mye mat i kjøleskapet. For å oppnå en bedre og homogen avkjøling, plasser maten separat på en måte som gjør at kald luft kan vandre gjennom dem.
- Sørg for luftstrøm ved å la det være mellomrom mellom maten og innerveggen. Hvis du lener maten mot bakveggen, kan maten fryse.
- Ta varme retter til romtemperatur før du setter dem i kjøleskapet. Deretter kan du plassere det lunkne måltidet i de nedre hyllene i kjøleskapet. Ikke plasser de lunkne måltidene i nærheten av maten som lett kan bli dårlig.
- Tin frossen mat i ferskvarerommet. Dermed kan du kjøle ned ferskvarerommet ved å bruke frossenmat og spare energi.
- Oppbevaring av umodne tropiske frukter (mango, melonvarianter, papaya, banan, ananas) i kjøleskapet kan fremskynde modningsprosessen. Dette anbefales ikke fordi det vil føre til kortere lagringstid.
- Du bør oppbevare løk, hvitløk, ingefær og andre rotgrønnsaker i mørke og kalde rom, ikke i kjøleskapet.
- Hvis du oppdager at en matvare har blitt dårlig i kjøleskapet, kast maten og rengjør tilbehøret som har kommet i kontakt med den.
- For å avkjøle måltider som supper og gryteretter, som tilberedes i de store grytene, raskt, kan du sette dem i kjøleskapet ved å dele dem i sine egne grunne beholdere.
- Ikke plasser den uemballerte maten i nærheten av eggene.
- Hold fruktene og grønnsakene separat og oppbevar hver variant sammen (for eksempel epler med epler, gulrøtter med gulrøtter)
- Ta grønne grønnsaker ut av plastposen og legg dem i kjøleskapet etter å ha pakket dem inn i et papirhåndkle eller tørkeklut. Hvis du vasker denne typen mat før du legger dem i kjøleskapet, husk å tørke dem.
- Du kan både skape et fuktig miljø og sørge for en luftstrøm ved å holde frukt og grønnsaker, som er utsatt for tørking, i de perforerte eller uforseglede plastposene.
- Bortsett fra tilfeller der ekstreme omstendigheter er tilgjengelige i miljøet, hvis produktet ditt (på tabellen med anbefalte innstilte verdier) er satt til de angitte innstilte verdiene, holder maten ferskheten i lengre tid både i ferskvarerommet og fryserommet.

| Lagre matvarer på forskjellige steder i henhold til deres egenskaper: | |
|---|---|
| Mat | Plassering |
| Egg | Dørhylle |
| Meieriprodukter (smør, ost) | Hvis tilgjengelig, null graders rom (for frokostmat) |
| Frukt, grønnsaker og grønne planter | Frukt-grønnsaksrom, grønnsaksrom eller EverFresh+-rom (hvis tilgjengelig) |
| Ferskt kjøtt, fjærfe, fisk, pølser etc. kokt mat | Hvis tilgjengelig, null graders rom (for frokostmat) |
| Klar til å servere mat, emballerte produkter, hermetikk og sylteagurk | Øverste hyller eller dørhylle |
| Drikkevarer, flasker, krydder og snacks | Dørhylle |

Plassering av mat

Hyller for kjølerdelen: Matvarer i pottes, avdekket tallerken og avdekkede esker, egg (i lukket eske)

Dørhyller for kjølerdelen: Små og pakket mat eller drikke

Grønnsaksrom: Grønnsaker og frukt

Tabell for anbefalte innstillingsverdier

| Innstilling for kjøleskapsdelen | Merknader |
|---------------------------------|--|
| 4 °C | Dette er standard, anbefalt innstilling. Denne innstillingen anbefales hvis omgivelsestemperaturen er under 30 °C. |

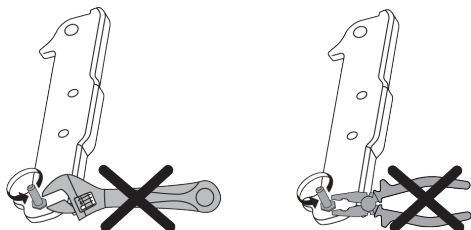
NO

7.3 Grønnsaksrom

Kjøleskapets grønnsaksrom er designet for å holde grønnsaker friske ved å bevare fuktigheten. For dette formål intensiveres den totale kaldluftsirkulasjonen i grønnsaksrommet. Oppbevar frukt og grønnsaker i dette rommet. Oppbevar grønne blader og frukter separat for å forlenge levetiden.

7.4 Reversering av døråpningssiden

Døråpningen av kjøleskapet ditt kan snus i henhold til hvor du setter det. Når du trenger dette, bør du definitivt ringe nærmeste autoriserte serviceverksted.



7.5 Varsel om åpen dør

Åpen dør-varslingsystemet til kjøleskapet ditt kan variere avhengig av modell.

Versjon 1;

Hvis døren til produktet forblir åpen i en viss tid (mellom 60 s og 120 s), høres et lydvarsel; avhengig av produktmodell, kan et visuelt varsel (lysblink) også vises. Hvis du lukker døren til enheten eller trykker på en knapp på skjermen til enheten, hvis det finnes, vil varselyden stoppe.

Versjon 2;

Hvis døren til enheten forblir åpen i en viss periode (mellom 60 s og 120 s), høres varselet om åpen dør. Varsel om åpen dør avgis gradvis. Først begynner en hørbar advarsel å høres. Etter 4 minutter, hvis døren fortsatt ikke er lukket, aktiveres en visuell advarsel (lysblink). Varselet om døråpning vil bli forsinket i en viss tidsperiode (mellom 60 s og 120 s) når en tast på produktskjermen, hvis det finnes, trykkes. Deretter starter prosessen på nytt. Når enhetsdøren er lukket, vil varselet om åpen dør bli avbrutt.

7.6 Bytte av belysningslampen

Ring autorisert serviceverksten når pæren/LED-en som brukes til belysning i kjøleskapet ditt skal skiftes.

Lampe(r) som brukes i dette apparatet kan ikke brukes til husbelysning. Denne lampen er beregnet på å hjelpe brukeren med å plassere mat i kjøleskapet/fryseren trygt og komfortabelt.

7.7 AeroFlow

Det er et luftfordelingssystem som gir homogen temperaturfordeling. Med luftsirkulasjonen sikres den homogene temperaturfordelingen i oppbevaringsrommet for ferskvarer, og temperatursvingningene holdes på et lavt nivå. Det produseres ingen direkte luft som blåser over maten, og dette bidrar til å redusere fuktighetstap. Den holder maten lagret i ferskvarerommet i kjøleskapet fersk. På denne måten oppbevares maten din ved mer stabile temperaturer og kontakten med luft reduseres. Tørking og

krymping av matvarer grunnet tapt fuktighet forhindres og friskhet gis i lengre tid.

8 Vedlikehold og rengjøring



ADVARSEL:

Les avsnittet «Sikkerhetsinstruksjoner» først.



ADVARSEL:

Trekk ut kjøleskapskontakten før rengjøring.

- Ikke bruk skarpe eller skuremidler til å rengjøre produktet. Ikke bruk materialer slik som rengjøringsmidler for husholdningen, såpe, vaskemidler, gass, bensin, fortynningsmiddel, alkohol, voks osv.
- Støvet skal fjernes fra ventilasjonsgitteret bak på produktet minst én gang i året (uten å lokke lokket). Rengjør produktet med en tørr klut.
- Pass på å holde vannet vekk fra lampedekelet og andre elektriske deler.
- Rengjør døren med en fuktig klut. Fjern alt innholdet for å fjerne døren og karosseristativene. Fjern dørstativene ved å løfte dem oppover. Rengjør og tørk hyllene, og fest dem på plass ved å skyve ovenfra.
- Ikke bruk klorert vann eller rengjøringsprodukter på den utvendige overflaten og de krombelagte delene av produktet. Klor medfører rust på slike metalloverflater.
- Ikke bruk skarpe og slipende verktøy, såpe, husrengjøringsmidler, vaskemidler, gass, bensin, lakk og lignende stoffer for å hindre at plastdelen deformeres og fjerne utskriften fra delen. Bruk varmt vann og en myk klut til rengjøring, og tørk den deretter tørr.
- På produkter uten Nullfrost-funksjon kan vannråper og ising i en tykkelse på opptil én finger forekomme på fryserdelens bakvegg. Ikke rengjør, og bruk aldri oljer eller lignende stoffer.

- Bruk en mildt fuktet mikrofiberduk for å rengjøre produktets utvendige overflate. Svamper og andre typer rengjøringsduker kan forårsake riper.
- For å rengjøre alle flyttbare komponenter under rengjøring av produktets indre overflate, må du vaske disse komponentene med en skånsom løsning bestående av såpe, vann og karbonat. Vask og tørk grundig. Forhindre at vann kommer i kontakt med belysningskomponentene og kontrollpanelet.



FORSIKTIGHETSREGEL:

Ikke bruk eddik, isopropanol- eller etanoloppløsning eller andre rengjøringsmidler basert på alkohol på noen indre overflater.

Ytre overflater i rustfritt stål

Bruk et ikke-skurende rengjøringsmiddel i rustfritt stål og påfør dette med en myk, løfri klut. For å polere, tørk overflaten forsiktig med en mikrofiberduk fuktet med vann, og bruk pusseskinn. Følg alltid venene til de rustfrie stålet.

Forebygging av dårlig lukt

Produktet er produsert uten illeluktende materialer. Lagring av maten i upassende deler og feil rengjøring av innvendige overflater kan imidlertid føre til dårlige lukter.

- Du kan unngå dette ved å rengjøre innsiden med kullsyreholdig vann hver 15. dag.
- Oppbevar matvarer i forseglede holdere, da mikroorganismer som oppstår fra matvarer i uforsegde beholdere vil forårsake dårlig lukt.
- Ikke oppbevar utgått og fordervet mat i kjøleskabet.

NO

Olje som søles på plastoverflater kan skade overflaten og må rengjøres umiddelbart med varmt vann.

9 Feilsøking

Sjekk denne listen før du kontakter servicesenteret. Dette vil spare deg tid og penger. Denne listen omfatter hyppige klager som ikke er relatert til produksjons- eller materialfeil. Enkelte funksjoner som er nevnt her, gjelder kanskje ikke for dette produktet.

Kjøleskapet fungerer ikke.

- Støpselet sitter ikke ordentlig. >>> Plugg det i slik at det sitter ordentlig i kontakten.
- Sikringen som er koblet til stikkkontakten som gir strøm til produktet eller hovedsikringen er gått. >>> Kontroller sikringen.

Kondens på sideveggen av kjøledelen (MULTI ZONE (FLERE SONER), COOL (KJØLIG), CONTROL (KONTROLL) og FLEXI ZONE (FLEKSISONE).

- Døren åpnes for ofte. >>> Pass på ikke å åpne døren til produktet for ofte.
- Miljøet er for fuktig. >>> Produktet må ikke monteres i fuktige miljøer.
- Mat som inneholder væske oppbevares i utette beholdere. >>> Mat som inneholder væske må oppbevares i forseglede beholdere.
- Døren til produktet står åpen. >>> Døren til produktet må ikke stå åpen i lengre perioder.
- Termostaten er satt til en veldig kjølig temperatur. >>> Sett termostaten til egnet temperatur.

Kompressoren virker ikke.

- Ved plutselig strømbrudd eller når du trekker støpselet ut og inn, vil ikke gasstrykket i produktets kjølesystem holdes balansert. Dette utløser kompressorens termisk sikkerhetsanordning. Produktet starter på nytt etter omtrent seks minutter. Hvis produktet ikke starter igjen etter denne perioden, kontakter du servicesenteret.

- Avriming er aktivert. >>> Dette er normalt for et helautomatisk avrimingsprodukt. Avrimingen utføres periodisk.
- Produktet er ikke pluggert inn. >>> Sørg for at strømledningen er pluggert inn.
- Temperaturinnstillingen er feil. >>> Velg egnet temperaturinnstilling.
- Strømmen er gått. >>> Produktet vil fortsette å fungere som normalt når strømmen kommer tilbake.

Driftsstøyen til produktet øker under bruk.

- Produktets ytelse kan variere avhengig av omgivelsestemperaturvariasjoner. Dette er normalt og ikke en feil.

Kjøleskapet kjøres for lenge eller for ofte.

- Det nye produktet kan være større enn det forrige. Større produkter kjøres i lengre perioder.
- Romtemperaturen kan være for høy. >>> Produktet vil normalt kjøres i lange perioder ved høyere romtemperatur.
- Produktet kan ha blitt koblet til nylig eller en ny matvare er blitt satt inn i kjøleskapet. >>> Produktet vil bruke lenger til på å nå den innstilte temperaturen når den nylig er blitt koblet til eller en ny matvare er plassert i kjøleskapet. Dette er normalt.
- Store mengder varm mat kan ha blitt satt inn i produktet nylig. >>> Ikke sett varm mat i produktet.
- Dørene ble åpnet ofte eller ble holdt åpne i lange perioder. >>> Innvendig sirkulasjon av varmluft til føre til at produktet ikke kjører lenger. Dørene må ikke åpnes for ofte.
- Fryser- eller kjøledøren står kanskje på gløtt. >>> Kontroller at dørene er helt lukket.

- Produktet kan ha blitt satt til en altfor lav temperatur. >>> Sett temperaturen på en høyere temperatur og vent til produktet når den justerte temperaturen.
- Kjøle- eller fryserdørskiven kan være skitten, utslitt, ødelagt eller ikke satt inn riktig. >>> Rengjør eller bytt ut pakningen. En skadet/revet dørskive vil føre til at produktet kjører i lengre perioder for å opprettholde gjeldende temperatur.

Frysetemperaturen er meget lav, men den kjøletemperaturen er tilstrekkelig.

- Fryserdelen er satt til en veldig lav temperatur. >>> Sett fryserdelen til en høyere temperatur og kontroller på nytt.

Kjøletemperaturen er meget lav, men den frysetemperaturen er tilstrekkelig.

- Kjøledelen er satt til en veldig lav temperatur. >>> Sett kjøledelen til en høyere temperatur og kontroller på nytt.

Matvarene som oppbevares i kjøledelen er frose.

- Kjøledelen er satt til en veldig lav temperatur. >>> Sett kjøledelen til en høyere temperatur og kontroller på nytt.

Temperaturen i kjøleren eller fryseren er for høy.

- Kjøledelen er satt til en altfor høy temperatur. >>> Temperaturinnstilling av kjølerommet har innvirkning på temperaturen i fryserommet. Vent til temperaturen på relevante deler når tilstrekkelig nivå ved å endre temperaturen i kjølerom eller fryserom.
- Dørene ble åpnet ofte eller ble holdt åpne i lange perioder. >>> Dørene må ikke åpnes for ofte.
- Døren står kanskje på gløtt. >>> Lukk døren fullstendig.
- Produktet kan ha blitt koblet til nylig eller en ny matvare er blitt satt inn i kjøleskapet. >>> Dette er normalt. Produktet vil bruke lenger til på å nå den innstilte temperaturen når den nylig er blitt koblet til eller en ny matvare er plassert i kjøleskapet.

- Store mengder varm mat kan ha blitt satt inn i produktet nylig. >>> Ikke sett varm mat i produktet.

Risting eller støy.

- Overflaten er ikke flate eller holdbar >>> Hvis produktet er risting når det bevegges langsomt, må du justere stativene for å balansere produktet. Kontroller også at bakken er tilstrekkelig holdbar til at den kan bære produktet.
- Gjenstander som plasseres på produktet kan forårsake støy. >>> Fjern alle gjenstander på produktet.
- Produktet lager støy som ligner på strømmende væske, spraying osv.
- Driftsprinsippene til produktet involverer strømning av væske og gass. >>> Dette er normalt og ikke en feil.

Produktet lager lyd som ligner blåsende vind.

- Produktet bruker en vifte til kjøleprosessen. Dette er normalt og ikke en feil.

Det er kondens i de innvendige veggene til produktet.

- Varmt eller fuktig vær vil føre til ising eller kondens. Dette er normalt og ikke en feil.
- Dørene ble åpnet ofte eller ble holdt åpne i lange perioder. >>> Ikke åpne dørene for ofte. Hvis den er åpen, lukk døren.
- Døren står kanskje på gløtt. >>> Lukk døren fullstendig.

Det er kondens på utsiden av produktet eller mellom dørene.

- Været utenfor kan være fuktig, dette er svært normalt i fuktig vær. >>> Kondensen vil forsvinne når fuktigheten reduseres.

Innsiden lukter ille.

- Produktet rengjøres ikke regelmessig. >>> Rengjør interiøret regelmessig med svamp, varmt vann og kullsyreholdig vann.
- Enkelte holdere og emballasjer kan forårsake lukt. >>> Bruk holdere og emballasje uten lukt.

- Matvarer hadde blitt plassert i utette beholdere. >>> Hold matvarer i forseglede beholdere. Mikroorganismer kan spre seg ut av utette matvarer og føre til dårlig lukt.
- Fjern utgått eller fordervet matt fra produktet.

Døren lukker seg ikke.

- Matpakker blokkerer kanskje døren. >>> Omplasser eventuelle gjenstander som blokkerer dørene.
- Produktet står ikke i fullt oppreist stilling på bakken. >>> Juster stativene for å balansere produktet.
- Overflaten er ikke flat eller holdbar >>> Kontroller at bakken er flat eller tilstrekkelig holdbar til at den kan bære produktet.

Grønnsaksrommet sitter fast.

- Matvarer kan være i kontakt med den øvre delen av skuffen. >>> Omplasser matvarene i skuffen.

Temperatur på produktoverflaten.

- Det kan observeres høye temperaturer mellom de to dørene, på sidepanelene og på den bakre grillen mens produktet er i bruk. Dette er normalt og krever ikke sørvisarbeid.

Viften fortsetter å gå når døren åpnes.

- Viften kan fortsette å gå når frysedøren er åpen.



ADVARSEL: Hvis problemet vedvarer etter at du har fulgt instruksjonene i dette avsnittet, må du kontakte forhandleren eller et autorisert servicecenter. Ikke forsøk å reparere produktet. Dette er normalt.

ANSVARSRASKRIVELSE / ADVARSEL

Noen (enkle) feil kan håndteres på en adekvat måte av sluttbrukeren uten at det oppstår sikkerhetsproblemer eller usikker bruk, forutsatt at de utføres innenfor grensene og i samsvar med følgende instruksjoner (se avsnittet "Egenreparasjon").

Derfor, med mindre annet er autorisert i avsnittet "Egenreparasjon" nedenfor, skal reparasjoner håndteres av registrerte profesjonelle reparatører for å unngå sikkerhetsproblemer. En registrert profesjonell reparatør er en profesjonell reparatør som har fått tilgang til instruksjonene og reservedelslisten for dette produktet av produsenten i henhold til metodene beskrevet i lover i henhold til direktiv 2009/125/EC.

Det er imidlertid bare serviceagenten (dvs. autoriserte profesjonelle reparatører) som du kan nå via telefonnummeret oppgitt i brukerhåndboken/garantikortet eller gjennom din autoriserte forhandler som kan gi service under garantivilkårene.

Vær derfor oppmerksom på at reparasjoner utført av profesjonelle reparatører (som ikke er autorisert av)Beko vil ugyldiggjøre garantien.

Egenreparasjon

Egenreparasjon kan utføres av sluttbrukeren med hensyn til følgende reservedeler: dørhåndtak, dørhengslar, skuffer, kurver og dørpakninger (en oppdatert liste er også tilgjengelig support.beko.com fra 1. mars 2021). Dessuten, for å ivareta produktsikkerheten og for å forhindre risiko for alvorlig skade, skal den nevnte egenreparasjonen utføres etter instruksjonene i brukerhåndboken for egenreparasjon eller som er tilgjengelig i support.beko.com. For din egen sikkerhet, koble fra produktet før du prøver egenreparasjon.

Reparasjons- og reparasjonsforsøk fra sluttbrukere på deler som ikke er inkludert i denne listen og/eller som ikke følger instruksjonene i brukerhåndbøkene for egenreparasjon eller som er tilgjengelige i support.beko.com, kan føre til

sikkerhetsproblemer som ikke kan tilskrives Beko, og vil ugyldiggjøre garantien for produktet.

Derfor anbefales det sterkt at sluttbrukere avstår fra forsøk på å utføre reparasjoner som faller utenfor den nevnte listen over reservedeler, og kontakter i slike tilfeller autoriserte profesjonelle reparatører eller registrerte profesjonelle reparatører. Tvert imot kan slike forsøk fra sluttbrukere forårsake sikkerhetsproblemer og skade produktet og deretter føre til brann, flom, elektrisk støt og alvorlig personskade.

Som eksempel, men ikke begrenset til, må følgende reparasjoner håndteres av autoriserte profesjonelle reparatører eller registrerte profesjonelle reparatører: kompressor, kjølekrets, hovedkort, omformerkort, displaykort, osv.

Produsenten/selgeren kan ikke holdes ansvarlig i noen tilfeller der sluttbrukere ikke overholder ovenstående.

Tilgjengeligheten av reservedeler for kjøleskapet du kjøpte er 10 år. I løpet av denne perioden vil originale reservedeler være tilgjengelig for å betjene kjøleskapet riktig

Minste garantiperiode for kjøleskapet du kjøpte er 24 måneder.

Dette produktet er utstyrt med en lyskilde i energiklassen "G".

Lyskilden i dette produktet skal kun erstattes av en profesjonell reparatør

Så se

2 DISCLAIMER / WARNING [] 24]