



## **Cooker hood**

User Manual

**Воздухоочистителя**

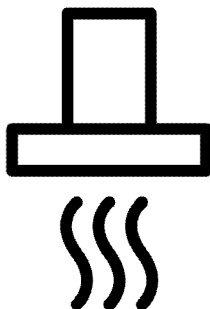
Руководство пользователя

**Витяжка**

Посібник користувача

**Абсорбатор**

Ръководство за употреба



CWB 6410 CR

**EN / RU / UK / BG**

185.7300.49/R.AG/21.06.2021/3-1

7702388602

## Please read this user manual first!

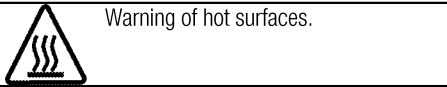
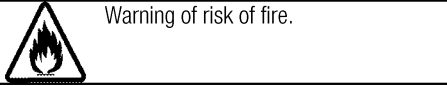
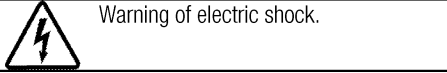
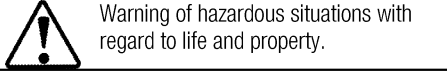
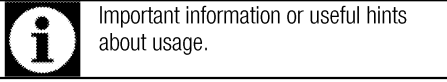
Dear Customer,

Thank you for purchasing this Beko product. We hope that you get the best results from your product which has been manufactured with high quality and state-of-the-art technology. Therefore, please read this entire user manual and all other accompanying documents carefully before using the product and keep it as a reference for future use. If you handover the product to someone else, give the user manual as well. Follow all warnings and information in the user manual.

Remember that this user manual is also applicable for several other models. Differences between models will be identified in the manual.

### Explanation of symbols

Throughout this user manual the following symbols are used:



**Arçelik A.Ş.**  
Karaağaç caddesi No:2-6  
34445 Sülüce/İstanbul/TURKEY  
Made in TURKEY



This product was manufactured using the latest technology in environmentally friendly conditions.

## TABLE OF CONTENTS

### **1 Important instructions and warnings for safety and environment 4**

General safety .....	4
Electrical safety .....	5
Product safety .....	5
Intended use .....	7
Children's safety .....	7
Disposing of the old product .....	7
Package information .....	7

### **2 General information 8**

Overview .....	8
Scope of delivery .....	9
Technical specifications .....	9

### **3 Installation 10**

Installation .....	10
Future transportation .....	13

### **4 Operating the hood 14**

### **5 Maintenance and care 15**

General information .....	15
Replacing the lamp.....	16

### **6 Troubleshooting 17**

## **1 Important instructions and warnings for safety and environment**

This section contains safety instructions that will help protect from risk of personal injury or property damage. Failure to follow these instructions shall void any warranty.

### **General safety**

- This appliance can be used by children aged from 8 years and above and persons with reduced physical, sensory or mental capabilities or lack of experience and knowledge if they have been given supervision or instruction concerning use of the appliance in a safe way and understand the hazards involved.

Children shall not play with the appliance. Cleaning and user maintenance shall not be made by children without supervision.

- Risk of Toxicating! While the appliance is operating, air in the entire house is sucked. If adequate ventilation is not provided, waste and toxic gasses which are released as a result of burning will be drawn back into the house through chimney draught. Do not operate the appliance together with sources that may emit toxic gasses and create air draught (wood, gas, oil,

and coal stoves, water heaters, kettles, etc.).

- Always have the authorized persons check the adequacy of ventilation and chimney draught in your building.
- The appliance is not intended for use by persons (including children) with reduced physical, sensory or mental capabilities, or lack of experience and knowledge, unless they have been given supervised or instruction concerning use of the appliance by a responsible person for their safety.  
Young children should be supervised to ensure that they do not play with the appliance. Cleaning and user maintenance procedures should not be performed by the children unless they are under supervision.
- Always have the installation and repair procedures performed by Authorised Service Agent. Manufacturer shall not be held responsible for damages arising from procedures carried out by unauthorised persons.
- Do not operate the appliance if it is defective or has any visible damage.

- Make sure that the appliance is switched off after every use.
- If the product is handed over to someone else for personal use or second-hand use purposes, the user manual, product labels and other relevant documents and parts should be also given.
- Appliance must be installed by a qualified person in accordance with the regulations in force. Otherwise, the warranty shall become void.

### **Electrical safety**

- To get your product ready for use, firstly you must have installation place and electric wiring prepared. Later, you may call Authorised Service nearest to you.
- If it has a failure, the product should not be operated without being repaired by the Authorised Service Agent. There is the risk of electric shock!
- Never connect the hood before installation is completed.
- Never touch the plug with wet hands! Do not unplug by pulling from the cable; always hold by the plug to unplug.
- Product must be disconnected from the mains during installation, maintenance, cleaning and repair procedures.
- If the supply cord is damaged, it must be replaced by the

manufacturer or its service agent or a similarly qualified person in order to avoid a hazard.

- Never connect power cable near to the hobs. If melted down, cable may lead to fire.
- Any work on electrical equipment and systems may only be carried out by authorised and qualified persons.
- In case of any damage, switch off the product and disconnect it from the mains. To do this, turn off the fuse at home.
- Make sure that fuse current is compatible with the product.
- Never wash down the product with water! There is the risk of electric shock!

### **Product safety**

- The height between the lower surface of the hood and upper surface of the hob should not be less than 650 mm.
- Never touch the hood's lamp after they operated for a long time. Hot lamps may burn your hands.
- Never operate the product without oil filter. Never remove filters when the product is in use.
- Avoid big flames beneath the product. Otherwise, particles on oil filter may flame up and cause fire.
- Turn on the hobs after placing pans or pots on. Otherwise, rising

temperature may deform certain parts of your product.

- Turn off the hobs before taking away pans or pots.
- Avoid inflammable materials under the hood.
- Do not expose the product to open flames beneath it. It can cause oils accumulated in the filter to catch fire. Do not operate the product without filter.
- Never leave the cooker unattended when frying foods, the oil may flame up and boiled oil may cause fire. Thus, be careful about cloths and curtains.
- If the hood is not periodically and properly cleaned, this may cause burning risk on your hood.
- For refreshing the kitchen's air from cooking smells and steams, please turn on your hood for 15 minutes more after cooking or frying has ended.
- There shall be adequate ventilation of the room when the range hood is used at the same time as appliances burning gas or other fuels. (Not applicable to appliances that only discharge the air back into the room)
- In the environment where the hood is being used, the exhaust of fuel oil or gas devices such as room heater must be absolutely insulated or device must be hermetical type.
- If there is a fuel oil or gas device in the environment, the room must be ventilated sufficiently.
- When a non-electrically operated device is concurrently used in the environment together with the hood, the negative pressure in the room must be maximum 0.04 mbar to avoid the hood's returning other device's exhaust into the room.
- Never connect the hood to the chimneys used for heaters, waste gas or with rising flames. Observe authorities' regulations on the draining of output air.
- When connecting to the chimney, use 120-mm diameter pipes. Pipe connection must be as short as possible with fewer bends.
- Do not hang easily flammable and combustible materials on hood handles.
- Our company shall never be responsible for the problems arising from the use against the warnings above.
- There is a risk of fire if cleaning is not carried out in accordance with the instructions.
- Do not flambé under the range hood.

- Caution: Accessible parts may become hot when used with a cooking appliance.
- You are recommended to clean your filter once a month in normal use.

### Intended use

This product is designed for domestic use. Commercial use is not admissible.

The manufacturer shall not be liable for any damage caused by improper use or handling.

### Children's safety

- Keep children away from the product when it is operating and do not allow them to play with the product.
- Packaging materials are dangerous to children. Keep the packaging materials in a place where children cannot reach and sort and discard them in accordance with the waste disposal directives.
- Electrical products are dangerous to children. Keep children away

from the product when it is operating and do not allow them to play with the product.

### Disposing of the old product

#### Compliance with the WEEE Directive and Disposing of the Waste Product:



This product complies with EU WEEE Directive (2012/19/EU). This product bears a classification symbol for waste electrical and electronic equipment (WEEE).

This product has been manufactured with high quality parts and materials which can be reused and are suitable for recycling. Do not dispose of the waste product with normal domestic and other wastes at the end of its service life. Take it to the collection center for the recycling of electrical and electronic equipment. Please consult your local authorities to learn about these collection centers.

#### Compliance with RoHS Directive:

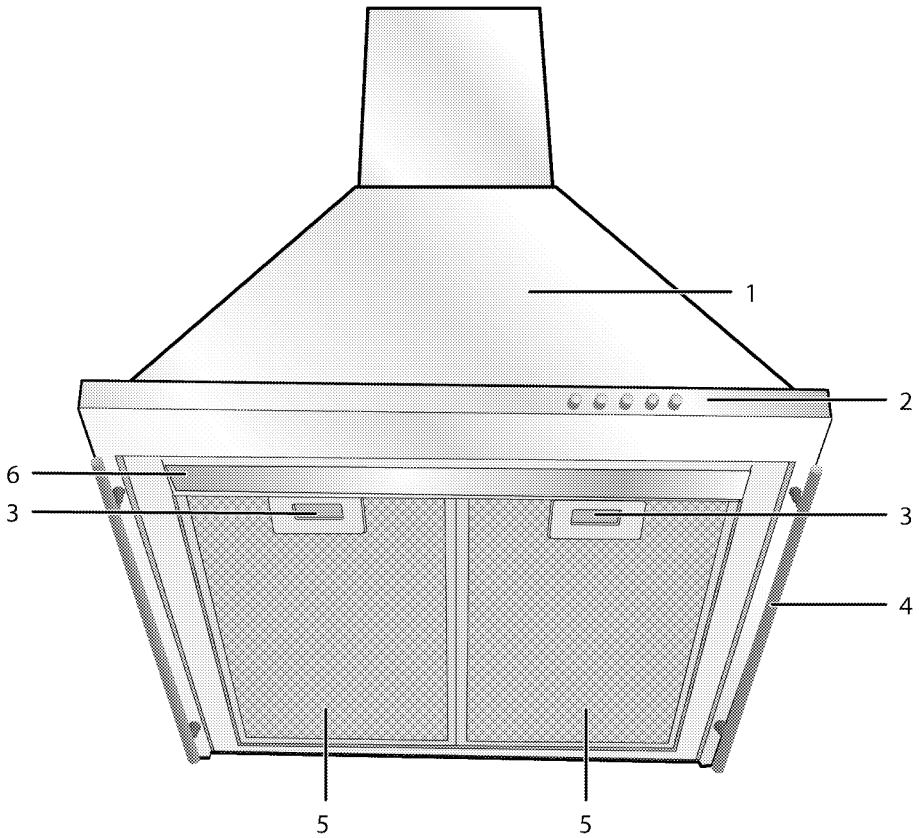
The product you have purchased complies with EU RoHS Directive (2011/65/EU). It does not contain harmful and prohibited materials specified in the Directive.

### Package information

- Packaging materials of the product are manufactured from recyclable materials in accordance with our National Environment Regulations. Do not dispose of the packaging materials together with the domestic or other wastes. Take them to the packaging material collection points designated by the local authorities.

## 2 General information

### Overview



- 1 Hood body
- 2 Control panel
- 3 Aluminum filter lock
- 4 Handle
- 5 Aluminum filter
- 6 Lamp

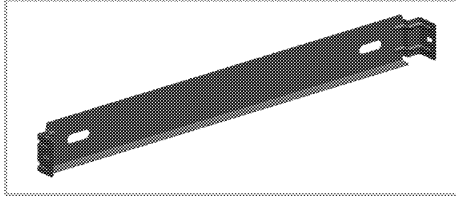


## Scope of delivery

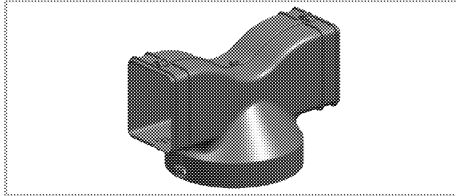


Accessories supplied can vary depending on the appliance model. Not every accessory described in the user manual may exist on your appliance.

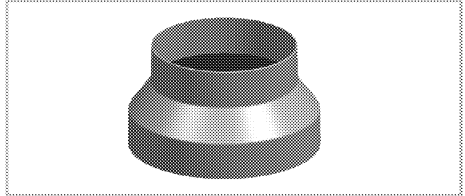
1. User manual
2. Wall connector



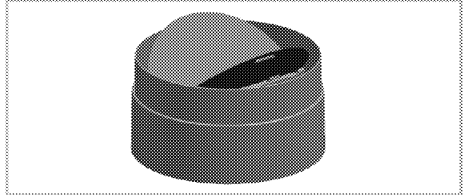
3. Air directing component



4. Chimney connection adapter



5. Valves to prevent reverse air flow



## Technical specifications

External dimensions (height/width/depth)	min. 735 mm max. 1141 mm/598 mm/502 mm
Voltage/frequency	220-240 V ; 50 Hz
Control	3 level
Suction power	460 m <sup>3</sup> /h
Total power consumption	max. 200 W
Fuse	3 A
Air outlet pipe diameter	120 - 150 mm



Technical specifications may be changed without prior notice to improve the quality of the product.



Figures in this manual are schematic and may not exactly match the product.



Values stated on the markings of the product or in other printed documents supplied with the product are obtained under laboratory conditions as per relevant standards. Depending on operational and environmental conditions of the product, these values may vary.

### 3 Installation

Refer to the nearest Authorised Service Agent for installation of the product. Make sure that the electric installations are in place before calling the Authorised Service Agent to have the product ready for operation. If not, call a qualified electrician and fitter to have the required arrangements made.



Preparation of location and electrical installation for the product is under customer's responsibility.



#### DANGER:

The product must be installed in accordance with all local electrical regulations.



#### DANGER:

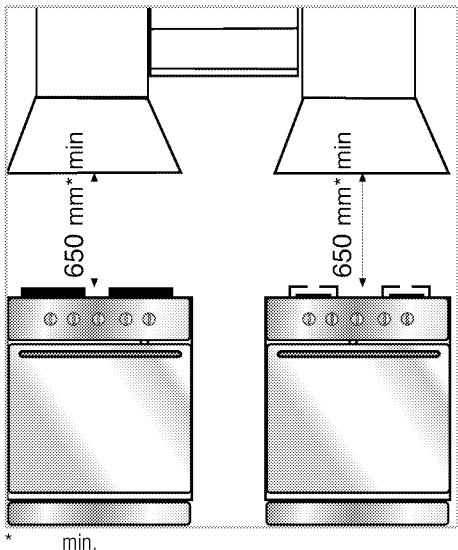
Prior to installation, visually check if the product has any defects on it. If so, do not have it installed. Damaged products cause risks for your safety.



#### DANGER:

Warning: Failure to install the screws or fixing device in accordance with the instructions may result in electrical hazards.

### Installation



There should be a minimum clearance of 650 mm between the top surface of the hob and the bottom surface of the hood.

The air to be extracted via the hood should not be connected to a chimney that is used by other

appliances that use gas or other fuels. (It does not apply to devices that only blow the air back into the room)

The regulations on air exhaust should be followed.

#### Electrical connection

Manufactured with 2-track power cable, this device must be connected to the mains by an electrical switch with at least 3mm clearance between bipolar contact leads. Have the electrical connections done by a qualified electrician.

- Install your appliance so that you can reach the power connection (plug, outlet) easily after installation.

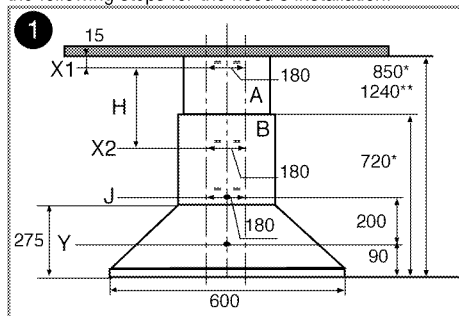
#### Installing the hood



Measurements are in mm.

The following provides necessary information to prepare the location for hood installation.

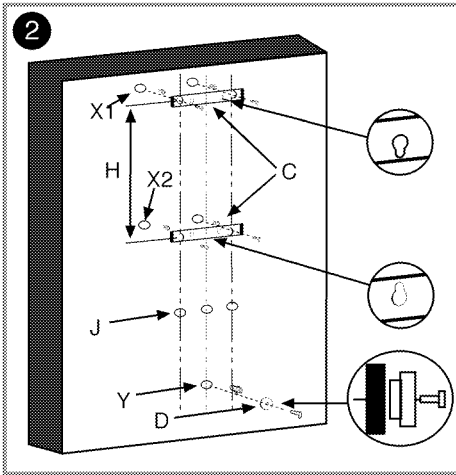
The hood must be installed above the central axis of the cooking appliance. There should be a minimum clearance of 650 mm between the top surface of the hob and the bottom surface of the hood. Please apply the following steps for the hood's installation.



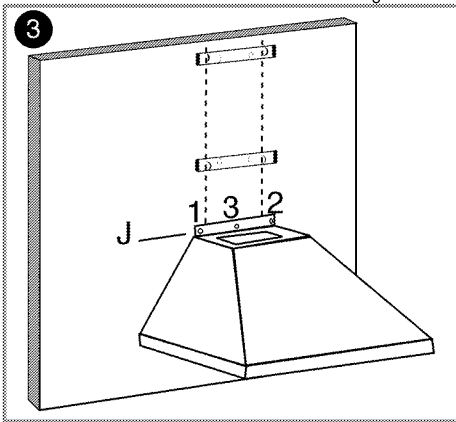
\* min.

\*\* max.

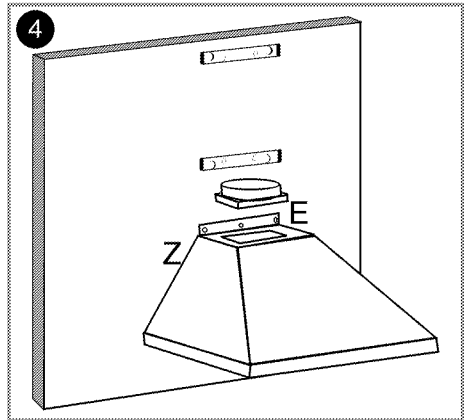
1. Centering the cooking appliance, draw an axis line on the wall up to 950mm height. Later, draw two parallel lines at 90mm distance on both sides of the axis line reaching to the ceiling. Then, determine hole locations by drawing the lines Y-J-X2 and X1 that cut vertically the axis line, for which measurements are given in Figure 1.
2. Drill eight 8-mm holes on the points X, Y, X2, X1 and place plastic plugs supplied with the packaging. Check if chimney connectors correspond to those holes or not.



3. As shown in Figure 2, fix connectors (C) to the holes X1 and X2 via two fixing screws supplied with the accessories. Screw distance ring (D) on the Y hole as small-diameter side facing the wall.



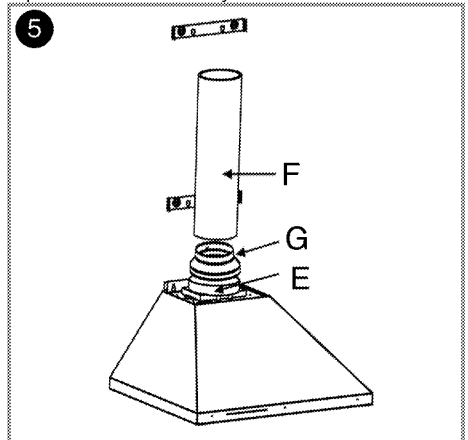
4. Install the hood from the key hole on back plate onto the distance ring and pull downward to make sure that it is secured. Then, screw the body onto the wall from the holes J1 and J2 on the upper back of the body. To avoid the hood falling down accidentally for any reason, screw it also from the hole J3 shown in Figure 3.



5. As shown in Figure 4, place the chimney outlet flange (E) to the rectangular outlet on the upper part of the hood; and screw the flange onto the body using 2.9-mm traced screws supplied with accessories.

6. **For chimney connection usage:**

In chimney-connected position, absorbed air will go through oil filters to the outlet and then will reach to the chimney through connection pipes and finally expelled from the chimney.



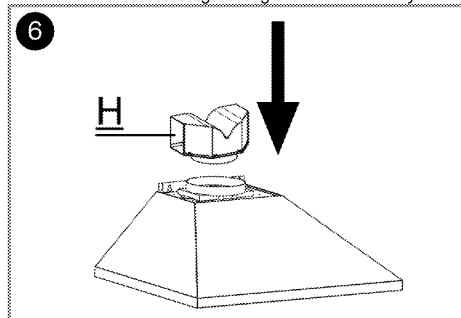
When using this connection position, 150mm to 120 mm E connector should be installed on the chimney outlet flange as shown in Figure 5.

Chimney connection pipes must be made of fireproof plastic material. When using flexible connection type, it should be considered that sharp corners and sudden contractions will have a negative impact on air suction. The hood must never be connected to a chimney to which another device was already connected.

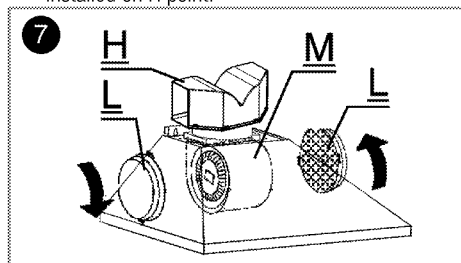
**i** Connection pipe should not be larger than 120 mm; otherwise, proper chimney connection will be prevented.

**7. Internal circulation (Use with carbon filter)**

In the position of internal circulation, the air absorbed from the environment will go through oil filters and carbon filters, where the smell is eliminated, and pass through air directing component. Later, it is finally sent back to the environment through the grates on chimney.



As shown in Figure 6, air directing component is installed on H point.

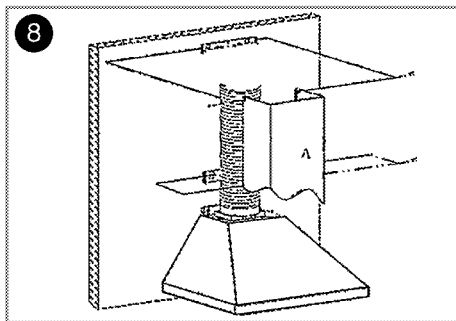


Place ear slots of carbon filters (L) to the ears on motor carrier (M) as shown in Figure 7 and turn anti-clockwise to fix in place. Apply the same procedure for the motor carrier on the other side.

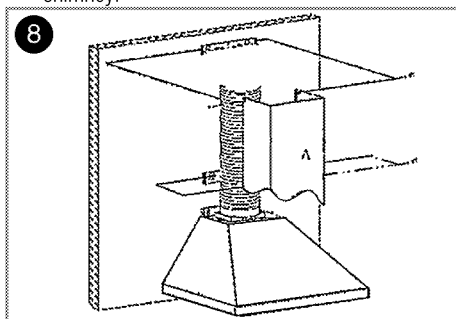
**i** Failure to clean and service oil filters periodically and failure to replace carbon filters at the end of service life (approximately 4 months) may have the risk of causing fire.

**8. Installation of chimney**

To install upper chimney A, secure the upper corners of the chimney on the connection (C) as shown below and screw it onto the connector with 2.9-mm screws.



Distance between the hole X1 and X2 is determined during the installation process depending on the usage length of the upper chimney.



To install lower chimney B, stretch the chimney by pulling slightly from both sides and secure it onto upper chimney's slots as shown in the figure above.

**You may use the hood in two ways:**

**1-Chimney-connected use**

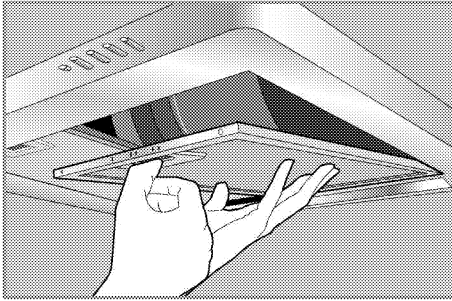
The steam is expelled via chimney pipe which is secured to the connection ring on the hood. Diameter of chimney pipe should be equal to connection ring. To allow the air easily going out of the room in horizontal arrangements, the pipe should be slightly tilted upwards (approximately 10°).

**i** If the carbon filter is installed on your hood, remove it when using the hood with the chimney.

**2- Use with no chimney connection**

Air is filtered through carbon filter and returned to the room. Carbon filter is used when there is no chimney in the house or when it is impossible to install a chimney pipe.

- Remove aluminum filters as shown below.



## Future transportation

- Keep the product's original carton and transport the product in it. Follow the instructions on the carton. If you do not have the original carton, pack the product in bubble wrap or thick cardboard and tape it securely.

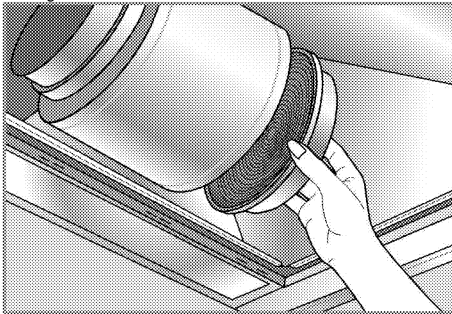


Do not place any objects onto the product and move it in upright position.



Check the general appearance of your product for any damages that might have occurred during transportation.

- To install carbon filter, center the filter over the plastic parts on both sides of fan body and secure the filter in tabs.
- Tighten by turning it to right and left as shown in the figure.



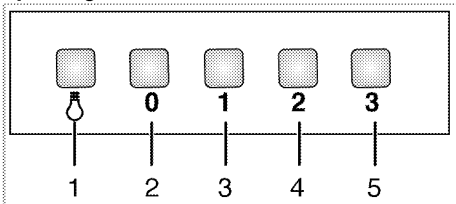
- Re-install aluminum filters.

## 4 Operating the hood

Hood is equipped with a motor with various speed settings.


For a better performance, we advise you to use low speeds in normal conditions, and high speeds when smell and vapors are intensified.

### Operating the hood



- 1 Lamp button
- 2 Off button
- 3 Speed1
- 4 Speed2
- 5 Speed3

1. Press on relevant button for the speed you want to operate the hood.

 Never press on two buttons at the same time. If pressed, higher speed will be activated.

### Turning off the hood


1. Press on the Off button when the hood is operating in a certain speed.

### Operating the lamp

1. Press on the lamp button to operate the lamp.

### Turning off the lamp


1. Press on the lamp button again to turn off the lamp.

 Off button do not turn off the lamp, it only stops operation of the hood.


## 5 Maintenance and care


### General information

Service life of the product will extend and frequent problems will decrease if the product is cleaned at regular intervals.

 **DANGER:**  
Disconnect the product from mains supply before starting maintenance and cleaning works.  
There is the risk of electric shock!

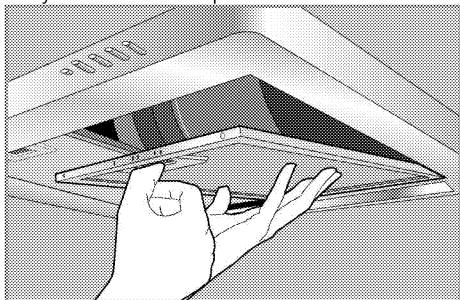
- Clean the product thoroughly after each use. In this way it will be possible to remove cooking residues more easily, thus avoiding these from burning the next time the appliance is used.
- No special cleaning agents are required for cleaning the product. Use warm water with washing liquid, a soft cloth or sponge to clean the product and wipe it with a dry cloth.
- Do not use cleaning agents that contain acid or chloride to clean the stainless or inox surfaces and the handle. Use a soft cloth with a liquid detergent (not abrasive) to wipe those parts clean, paying attention to sweep in one direction.


 The surface might get damaged by some detergents or cleaning materials.  
Do not use aggressive detergents, cleaning powders/creams or any sharp objects during cleaning.

 Do not use steam cleaners for cleaning.

### Aluminum filter

This filter captures oil particles in the air. **You are recommended to clean your filter once a month in normal use.** Please firstly remove aluminum filters for this process. Wash the filters in liquid-detergent water and install them after drying. Aluminum filters might change colour in time due to washing. This is normal and you don't need to replace the filter.




 You can also wash aluminum filters in dishwasher.

### Removing aluminum filters

1. Push aluminum filter lock forward.
2. Slightly lower the filter and pull forth. Otherwise, you may bend the filter.
3. After washing, reverse the steps above to re-install the aluminum filter.

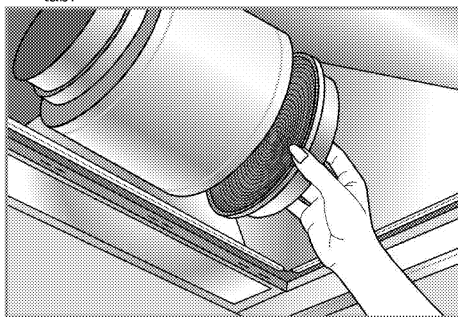
### Carbon filter (Use without chimney)

 Carbon filter should never be washed.


It should be replaced once every 4 months in normal use. You may obtain carbon filters from the Authorised Service.

### Removing carbon filters

1. Remove aluminum filters
2. To remove carbon filter, turn it to release from the tab.

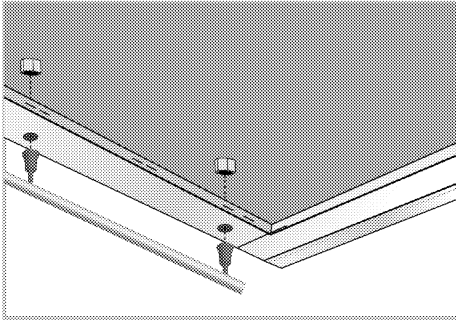


3. Install the new carbon filter.
4. Re-install aluminum filters.

 You may cause fire if you do not observe the rules regarding the cleaning and replacing hood filters.

### Removing the hood handle

1. Remove the aluminum filters pushing their locks.
2. Loosen the nuts from within the hood found at the same level with the handles.



3. Fix the handles again using nuts from within the hood.
4. Re-install aluminum filters.



In countries where service support is found, handles will be installed by the service.

### Replacing the lamp



#### DANGER:

Before replacing the lamp, make sure that the product is disconnected from mains in order to avoid the risk of an electrical shock. If hot, let the lamp cool down.  
Hot surfaces may cause burns!



For the specifications of the lamp, see *Technical specifications, page 9*. Oven lamps can be obtained from Authorised Service Agents.



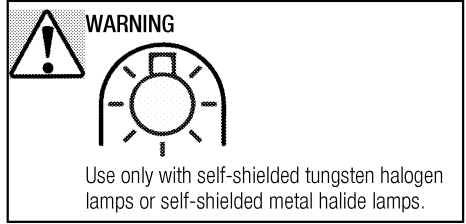
Position of lamp might vary from the figure.



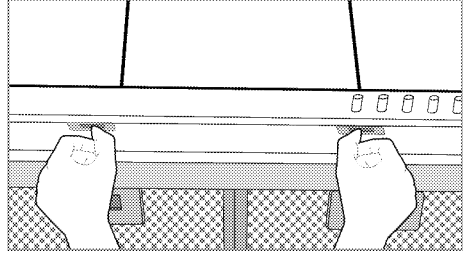
The lamp used in this appliance is not suitable for household room illumination. The intended purpose of this lamp is to assist the user to see foodstuffs.



The hood lamp in this product can be changed by the user.



1. Push lamp tabs forward to remove lamp plastic part as shown.



2. Replace the lamps.
3. Place the lamp plastic part in the same slot and secure plastic tabs. The plastic part will be seated with a "click" sound.



## 6 Troubleshooting

### **Product does not operate.**

- The mains fuse is defective or has tripped. >>> *Check fuses in the fuse box. If necessary, replace or reset them.*
- Product is not plugged into the socket. >>> *Check the plug connection.*
- Speed button might not be set. >>> *Press the required speed button.*
- Power is cut. >>> *Check if there is power. Check the fuses in the fuse box. If necessary, replace or reset the fuses.*

### **Hood light does not work.**

- Hood lamp is defective. >>> *Replace the hood lamp.*
- Power is cut. >>> *Check if there is power. Check the fuses in the fuse box. If necessary, replace or reset the fuses.*



Consult the Authorised Service Agent or the dealer where you have purchased the product if you cannot remedy the trouble although you have implemented the instructions in this section. Never attempt to repair a defective product yourself.

Arcelik A.S.

Karaağaç Caddesi No:2-6 Sütlüce, 34445, Turkey

Made in TURKEY

Importer in Russia: «BEKO LLC»

Address: Selskaya street, 49, Fedorovskoe village, Pershinskoe rural settlement, Kirzhach district, Vladimir region, Russian Federation 601021

The manufacture date is included in the serial number of a product specified on rating label, which is located on a product, namely: first two figures of serial number indicate the year of manufacture, and last two – the month.

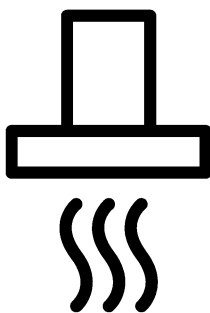
For example, "10- 100001-05» indicates that the product was produced in May, 2010.

You can ask for certification number from our Call Center 8-800-200-23-56 The manufacturer reserves the right for making changes in modification, design and specification of an electric device.





**Воздухоочистителя**  
**Руководство пользователя**



**RU**

## Перед началом эксплуатации прочитайте это руководство пользователя!

Уважаемый покупатель!

Спасибо за то, что отдали предпочтение продукции компании «Веко». Надеемся, что это высококачественное изделие, изготовленное с применением самых современных технологий, будет демонстрировать наилучшие результаты эксплуатации. Для этого перед началом эксплуатации внимательно прочитайте это руководство и всю сопутствующую документацию и используйте его в дальнейшем в качестве справочника. Если вы передаете изделие новому владельцу, передайте ему и руководство пользователя. Придерживайтесь всех предупреждений и информации, содержащихся в руководстве.

Помните, что данное руководство пользователя также может быть применимо к некоторым другим моделям. Различия между моделями будут указаны в руководстве.

### Пояснения к символам

В данном руководстве пользователя используются следующие символы:



Важная информация или полезные советы по использованию.



Предупреждение о ситуациях, опасных для жизни людей и имущества.



Предупреждение об опасности поражения электрическим током.



Предупреждение об опасности пожара.



Предупреждение о горячих поверхностях.

<b><u>1</u></b>	<b><u>Важные инструкции и предупреждения по технике безопасности и охране окружающей среды</u></b>	<b><u>4</u></b>
	Общие правила безопасности .....	4
	Электробезопасность .....	5
	Безопасность изделия .....	6
	Использование по назначению .....	8
	Безопасность детей .....	8
	Утилизация старого изделия .....	8
	Утилизация упаковочных материалов .....	9
<b><u>2</u></b>	<b><u>Общие сведения</u></b>	<b><u>10</u></b>
	Обзор .....	10
	Комплект поставки .....	11
	Технические характеристики .....	11
<b><u>3</u></b>	<b><u>Установка</u></b>	<b><u>12</u></b>
	Установка .....	12
	Последующая транспортировка .....	15
<b><u>4</u></b>	<b><u>Эксплуатация воздухоочистителя</u></b>	<b><u>16</u></b>
<b><u>5</u></b>	<b><u>Уход и техническое обслуживание</u></b>	<b><u>17</u></b>
	Общая информация .....	17
	Замена лампы .....	18
<b><u>6</u></b>	<b><u>Устранение неисправностей</u></b>	<b><u>19</u></b>

## **1 Важные инструкции и предупреждения по технике безопасности и охране окружающей среды**

В данном разделе содержатся инструкции по технике безопасности, которые помогут вам избежать травм и повреждений. При несоблюдении этих правил все гарантийные обязательства аннулируются.

Общие правила безопасности

- Это изделие может эксплуатироваться детьми старше 8 лет и людьми с ограниченными физическими, сенсорными или умственными способностями, а также лицами, не имеющими достаточного опыта и знаний, только в том случае, если они находятся под наблюдением лиц, ответственных за их безопасность, или проинструктированы на предмет безопасного использования изделия и осознают связанные с этим риски.

Следите за тем, чтобы дети не играли с устройством. Дети могут чистить и обслуживать устройство только под наблюдением.

- Опасность угарных газов! Во время работы изделия всасывается воздух из всего

помещения. Если не обеспечить соответствующую вентиляцию, ядовитые газы, образующиеся в результате сгорания, могут засасываться обратно в помещение через тягу дымохода. Не используйте изделие вместе с источниками выделения ядовитых газов и обеспечьте вытяжку воздуха (дровяные, газовые, нефтяные и угольные печи, водонагреватели, чайники и т.п.).

- Обязательно поручите уполномоченным на это лицам проверить правильную работу вентиляции и тяги дымохода в вашем здании.
- Данный электроприбор не предназначен для использования лицами (включая детей) с ограниченными физическими, сенсорными и интеллектуальными возможностями либо не имеющими опыта и знаний. Они могут . Не позволяйте детям играть с прибором. Чистка и техническое обслуживание не должны проводиться детьми.

- Установка и ремонт должны выполняться только специалистами авторизованного сервисного центра. Производитель не несет ответственности за ущерб в результате выполнения работ лицами, не имеющими соответствующей квалификации.
  - Не пользуйтесь неисправным изделием или изделием с видимыми повреждениями.
  - После каждого использования обязательно выключайте изделие.
  - В случае передачи изделия третьему лицу в личное пользование или в целях вторичного использования необходимо также передать руководство пользователя, наклейки изделия, а также другие связанные с ним документы и компоненты.
  - Изделие должно устанавливаться квалифицированным специалистом в соответствии с действующими нормами и правилами. В противном случае гарантия аннулируется.
- подготовить место установки и электропроводку. Затем следует вызвать представителя ближайшей к вам авторизованной сервисной службы.
- В случае неисправности нельзя включать изделие, пока оно не будет отремонтировано представителем авторизованного сервисного центра. Имеется опасность поражения электрическим током!
  - Никогда не вставляйте вилку воздухоочистителя в розетку до завершения установки!
  - Не прикасайтесь влажными руками к вилке шнура питания. Не тяните за шнур питания, вынимая вилку из розетки; для этого всегда беритесь за штепсельную вилку.
  - Прежде чем приступить к установке, техническому обслуживанию, чистке и ремонту, изделие необходимо отключить от электросети.
  - Во избежание несчастных случаев при повреждении шнура питания замену должен осуществлять производитель, его представитель по сервису или лицо, имеющее аналогичную квалификацию.

#### Электробезопасность

- Для подготовки изделия к эксплуатации сначала следует

- Никогда не подключайте кабель питания вблизи плит. Если шнур питания расплавится, это может привести к пожару.
  - Все работы с электрическим оборудованием и системами должны выполняться только квалифицированными специалистами, допущенными к выполнению таких работ.
  - В случае какого-либо повреждения выключите изделие и отсоедините его от электросети. Для этого выключите общий предохранитель в доме.
  - Проверьте, соответствует ли ток перегорания плавкого предохранителя характеристикам изделия.
  - Никогда не мойте изделие водой! Имеется опасность поражения электрическим током!
- Безопасность изделия
- Расстояние между нижней поверхностью воздухоочистителя и верхней поверхностью плиты должно составлять не менее 650 мм.
  - Никогда не прикасайтесь к лампе воздухоочистителя после работы в течение длительного времени. Горячие лампы могут вызвать ожоги рук.
  - Ни в коем случае не пользуйтесь изделием без масляного фильтра. Никогда не снимайте фильтры, когда изделие работает.
  - Не допускайте большого пламени под воздухоочистителем. В противном случае частицы на масляном фильтре могут воспламениться и вызвать пожар.
  - Включайте плиты после того, как установите на них кастрюли или посуду. В противном случае повышенная температура может деформировать некоторые детали изделия.
  - Выключайте плиты, прежде чем снимать с них кастрюли или посуду.
  - Не допускайте размещения воспламеняющихся материалов под воздухоочистителем.
  - Не подвергайте изделие воздействию открытого огня, находящегося под ним. Это может привести к воспламенению жира, накопившегося в фильтре. Не включайте воздухоочиститель без фильтра.



- Никогда не оставляйте плиту без присмотра при жарке продуктов, масло может воспламениться, а также закипевшее масло может привести к пожару. Поэтому будьте осторожны со скатертями и занавесками.
- Если периодически не чистить воздухоочиститель соответствующим образом, это может создать опасность его возгорания.
- Чтобы очистить воздух в кухне от запахов и паров от приготовления продуктов, оставьте воздухоочиститель включенным еще на 15 минут после окончания варки или жарки продуктов.
- Если вытяжка используется одновременно с приборами, работающими с горючим газом или другим топливом, необходимо обеспечить надлежащую вентиляцию помещения. (Не относится к электроприборам, которые только выпускают воздух обратно в помещение).
- В помещениях, где используется воздухоочиститель, выхлопные газы от устройств, работающих на жидком топливе или газе (например, комнатных обогревателей), должны быть полностью изолированы, либо устройства должны быть герметичны.
- Если в помещении имеются устройства, работающие на жидком топливе или газе, в помещении должна быть обеспечена достаточная вентиляция.
- Если в помещении одновременно с воздухоочистителем используется неэлектрическое устройство, отрицательное давление в помещении должно составлять максимум 0,4 миллибар, во избежание того, чтобы воздухоочиститель возвращал выпускные газы других устройств обратно в помещение.
- Никогда не подсоединяйте воздухоочиститель к дымоходам, использующимся для обогревателей, отработанных газов и открытого пламени. Соблюдайте нормы и правила по отводу выпускаемого воздуха.
- При подсоединении к дымоходу используйте трубы диаметром 120 мм. Соединения труб должны быть

как можно более короткими с минимальным числом изгибов.

- Не подвешивайте легковоспламеняющиеся и горючие материалы на ручки вытяжки.
- Наша компания не несет ответственности за проблемы, которые могут возникнуть в связи с эксплуатацией при несоблюдении вышеописанных инструкций.
- Если очистка не выполняется в соответствии с инструкциями, может возникнуть опасность пожара.
- Не фламбируйте под вытяжкой.
- Внимание! При использовании электроплиты рабочие детали могут сильно нагреваться.
- В обычном режиме эксплуатации его рекомендуется чистить раз в месяц.

Использование по назначению

Данное изделие предназначено для использования в быту.

Запрещается использовать прибор в коммерческих целях.

Производитель не несет ответственности за повреждения в результате использования изделия не по назначению или неправильного обращения с ним.

## Безопасность детей

- Во время работы изделия не допускайте к нему детей, а также не разрешайте им играть с ним.
- Упаковочные материалы представляют опасность для детей. Храните упаковочные материалы в недоступном для детей месте, а также сортируйте и утилизируйте их в соответствии с правилами уничтожения отходов.
- Электрические изделия представляют опасность для детей. Во время работы изделия не допускайте к нему детей, а также не разрешайте им играть с ним.

## Утилизация старого изделия

Соответствие Директиве ЕС об утилизации электрического и электронного оборудования (WEEE) и утилизация вышедшего из употребления оборудования:



Данное изделие соответствует Директиве ЕС об утилизации электрического и электронного оборудования (2012/19/EU). Данное изделие имеет маркировку, указывающую на утилизацию его как электрического и электронного оборудования (WEEE).

Это изделие произведено из высококачественных деталей и материалов, которые подлежат повторному использованию и переработке. Поэтому не выбрасывайте изделие с обычными бытовыми отходами после завершения его эксплуатации. Его следует сдать в соответствующий центр по утилизации электрического и электронного оборудования. О местонахождении таких центров вы можете узнать в местных органах власти.

### **Соответствие Директиве ЕС об ограничении содержания вредных веществ (RoHS):**

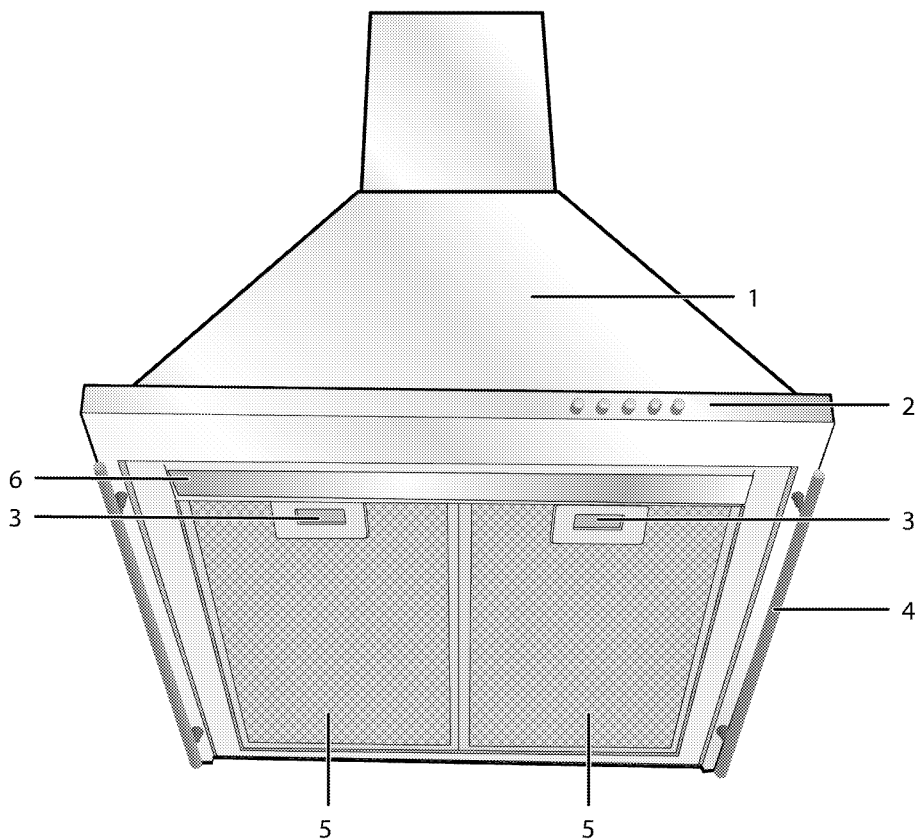
Приобретенное вами изделие соответствует Директиве ЕС о правилах ограничения содержания вредных веществ (2011/65/EU). Оно не содержит вредных и запрещенных материалов, указанных в Директиве.

### **Утилизация упаковочных материалов**

- Упаковочные материалы опасны для детей. Храните упаковочные материалы в безопасном и недоступном для детей месте. Упаковочные материалы изделия изготовлены из материалов, подлежащих вторичной переработке. Утилизируйте их соответствующим образом и сортируйте согласно инструкций по обращению с отходами, подлежащими вторичной переработке. Не утилизируйте их вместе с обычными бытовыми отходами.

## 2 Общие сведения

### Обзор



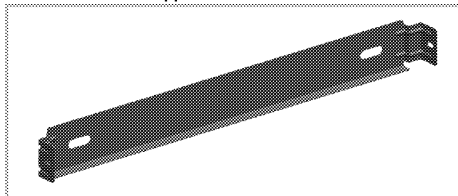
- 1 Корпус вытяжки
- 2 Панель управления
- 3 Замок алюминиевого фильтра
- 4 Ручка
- 5 Алюминиевый фильтр
- 6 Лампа подсветки

## Комплект поставки

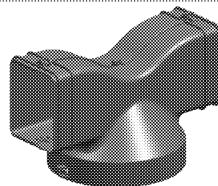


Дополнительные принадлежности, входящие в комплект поставки, могут изменяться в зависимости от модели изделия. Не все дополнительные принадлежности, описанные в руководстве пользователя, могут входить в комплект вашего изделия.

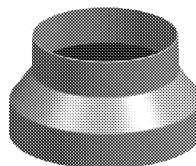
1. Руководство пользователя
2. Стенной соединитель



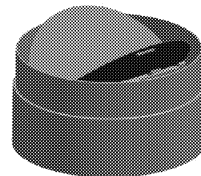
3. Деталь, направляющая поток воздуха



4. Соединительный переходник дымохода



5. Клапаны, препятствующие обратному потоку воздуха



## Технические характеристики

Наружные габариты (высота/ширина/глубина)	мин. 735 мм макс. 1141 мм/598 мм/502 мм
Напряжение/частота	220-240 В ; 50 Гц
Управление	3 уровень
Мощность всасывания	460 м <sup>3</sup> /ч
Общая потребляемая мощность	макс. 200 Вт
Предохранитель	3 А
Диаметр воздухоотводной трубы	120 - 150 мм



С целью повышения качества изделия технические характеристики могут быть изменены без предварительного уведомления.




Рисунки в данном руководстве носят схематический характер и могут не вполне соответствовать конкретному изделию.





Значения, указанные на маркировке изделия или в других сопроводительных документах, получены в лабораторных условиях согласно соответствующим стандартам. Эти значения могут изменяться в зависимости от условий эксплуатации изделия и окружающей среды.


### 3 Установка

Для установки изделия обратитесь в ближайший авторизованный сервисный центр. Прежде чем вызывать представителя авторизованной сервисной службы для установки изделия, убедитесь в готовности электрического оборудования. В противном случае, вызовите квалифицированного электрика и монтажника для выполнения необходимых работ.

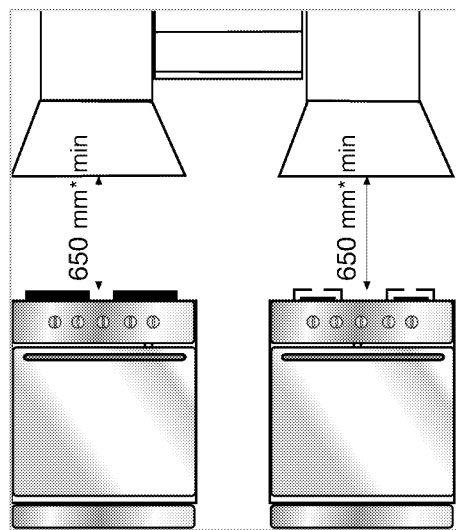
 Ответственность за подготовку места установки изделия и электрической сети несет покупатель.

 **ОПАСНО:**  
Изделие следует устанавливать в соответствии с местными нормами по проведению электромонтажных работ.

 **ОПАСНО:**  
Перед установкой необходимо выполнить осмотр изделия на предмет наличия дефектов. Если таковые имеются, не устанавливайте изделие. Поврежденные изделия могут стать причиной несчастного случая.

 **ОПАСНО:**  
Внимание! Если винты или крепежное устройство установлены не в соответствии с инструкциями, может возникнуть опасность поражения электрическим током.

### Установка



\* мин.

Между верхней поверхностью варочной панели и нижней поверхностью вытяжки должен быть минимальный зазор 650 мм.

Воздух, подлежащий удалению через вытяжку, не должен быть направлен в дымоход, используемый другими приборами, в которых применяется газ или другие виды топлива. (Не относится к изделиям, которые только выпускают воздух обратно в помещение.)


Следует соблюдать нормы и правила выпуска воздуха.

### Подключение к электрической сети

Данное изделие с двужильным силовым кабелем следует подключать к сети с помощью электрического выключателя с межполюсным расстоянием не менее 3 мм. Подключение к электрической сети должно выполняться квалифицированным электриком.

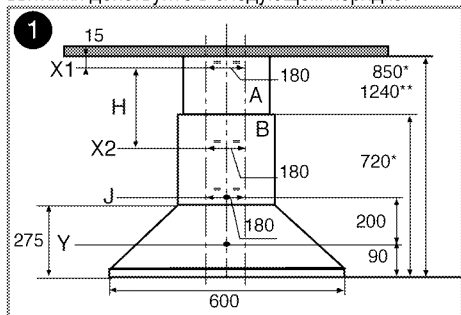
- Установите ваш электроприбор таким образом, чтобы обеспечить прямой доступ к гнезду подключения к сети (вилка, розетка) после установки.

### Установка вытяжки

 Размеры указаны в миллиметрах.

Далее приводится необходимая информация по подготовке места установки вытяжки.

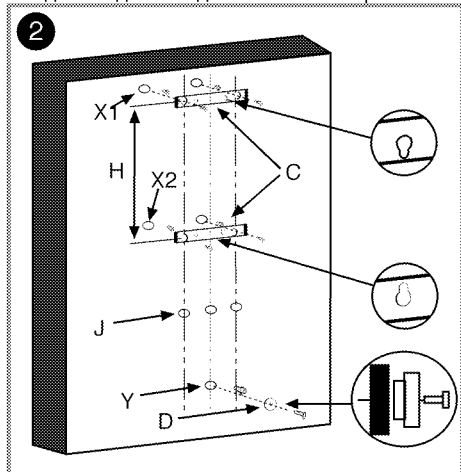
Вытяжка должна устанавливаться над кухонной плитой по ее центральной оси. Между верхней поверхностью варочной панели и нижней поверхностью вытяжки должен быть минимальный зазор 650 мм. Для установки вытяжки действуйте в следующем порядке.



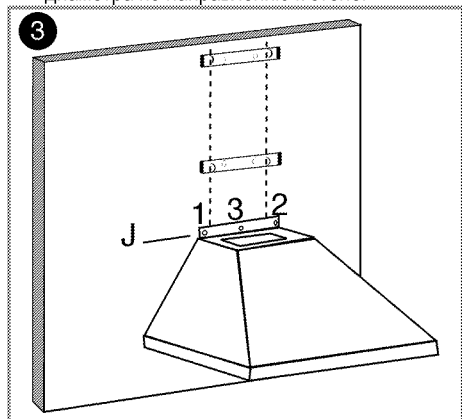
\* МИН.

\*\* МАКС.

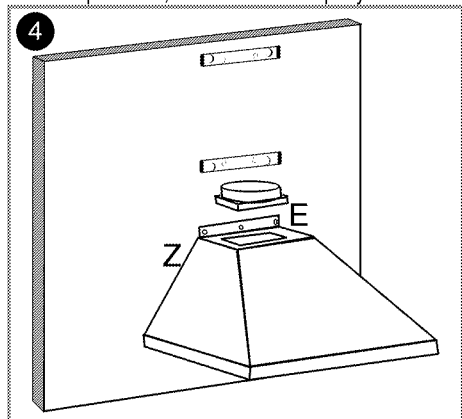
1. По центру кухонной плиты проведите осевую линию на стене на высоте до 950 мм. Затем проведите две параллельные линии на расстоянии 90 мм с обеих сторон от осевой линии до потолка. После этого определите место для отверстий, проведя линии Y-J-X2 и X1, вертикально пересекающие осевую линию. Размеры для этого приведены на рисунке 1.
2. Просверлите восемь отверстий диаметром 8 мм в точках X, Y, X2, X1 и вставьте пластмассовые дюбели, поставляемые в комплекте. Проверьте, чтобы соединители дымохода совпадали с этими отверстиями.



3. Прикрепите соединители (C) к отверстиям X1 и X2 с помощью двух крепежных винтов, входящих в комплект принадлежностей, как показано на рисунке 2. Ввинтите распорное кольцо (D) в отверстие Y стороной меньшего диаметра по направлению к стене.



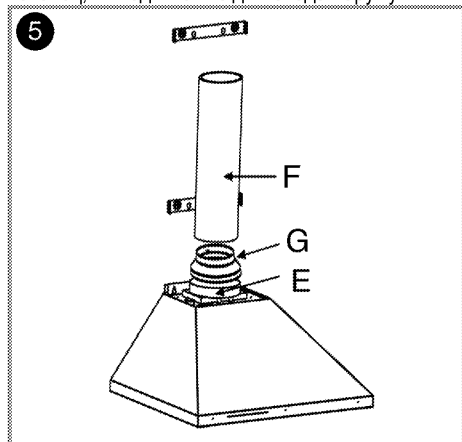
4. Установите вытяжку овальным отверстием задней панели на распорное кольцо и потяните вниз, чтобы убедиться в его надежной фиксации. Затем привинтите корпус к стене через отверстия J1 и J2 на верхней задней части корпуса. Во избежание случайного падения вытяжки по какой-либо причине, привинтите ее еще и через отверстие J3, как показано на рисунке 3.



5. Установите выходной фланец (E) дымохода к прямоугольному выходу на верхней части вытяжки; после чего привинтите фланец к корпусу с помощью винтов 2,9 мм, входящих в комплект принадлежностей, как показано на рисунке 4.

## 6. Для использования с подсоединением к дымоходу

В положении подсоединенного дымохода всасываемый воздух будет проходить через масляные фильтры на выход и затем поступать в дымоход через соединительные трубки и, наконец, выводиться из дымохода наружу.



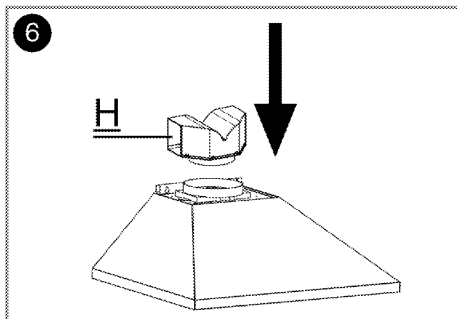
При использовании такого соединительного положения на выходной фланец дымохода следует установить соединитель (E) с размером от 150 мм до 120 мм, как показано на рисунке 5. Соединительные трубки дымохода должны быть выполнены из огнеупорного пластикового материала. При использовании гибкого соединения следует учитывать, что острые углы и резкие сужения отрицательно влияют на всасывание воздуха.

Категорически запрещается подключать вытяжку к дымоходу, к которому уже подключено другое изделие.

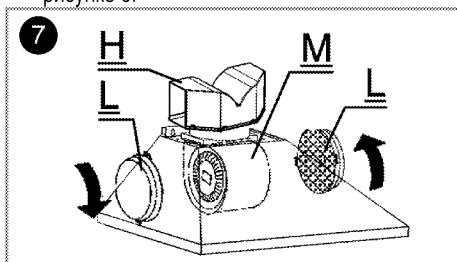
**i** Соединительная трубка не должна быть более 120 мм; в противном случае это будет препятствовать правильному подсоединению дымохода.

## 7. Внутренняя циркуляция (использование с угольным фильтром)

В положении внутренней циркуляции поглощенный воздух будет проходить через масляные и угольные фильтры, где удаляется запах, а также через деталь, направляющую поток воздуха. Затем воздух выводится обратно в атмосферу через решетки дымохода.



Деталь, направляющая поток воздуха, установлена в точке H, как показано на рисунке 6.



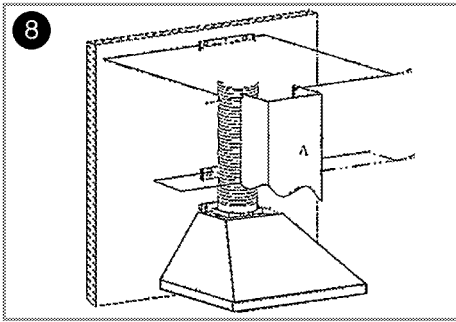
Установите пазы проушин угольных фильтров (L) на проушины держателя двигателя (M), как показано на рисунке 7, и поверните против часовой стрелки, чтобы зафиксировать на месте. Выполните те же действия для держателя двигателя с другой стороны.

**i** Если периодически не чистить и не обслуживать масляные фильтры и не заменять угольные фильтры по окончании срока их службы (приблизительно 4 месяца), это может создать опасность пожара.

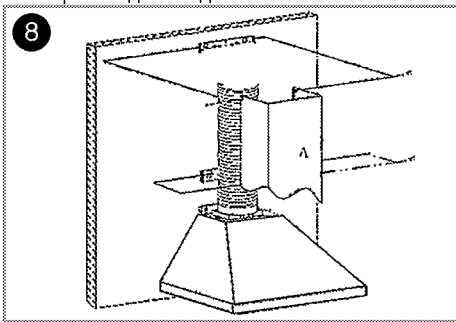
## 8. Установка дымохода

Чтобы установить верхний дымоход А (длинный), закрепите верхние углы дымохода на соединении (С), как показано ниже, и привинтите его к соединителю с помощью винтов 2,9 мм.





Расстояние между отверстиями X1 и X2 определяется в процессе установки в зависимости от используемой длины верхнего дымохода.



Чтобы установить нижний дымоход В (короткий), растяните дымоход, слегка потянув с обеих сторон, и закрепите его в верхних пазах дымохода, как показано на рисунке выше.

## Вы можете использовать вытяжку двумя способами

### 1 — использование с подсоединением к дымоходу.

Пар выводится через дымоход, прикрепленный к соединительному кольцу на вытяжке. Диаметр трубы дымохода должен равняться диаметру соединительного кольца. Чтобы воздух свободно выводился из помещения при горизонтальной установке, трубу следует слегка наклонить вверх (приблизительно на 10°).



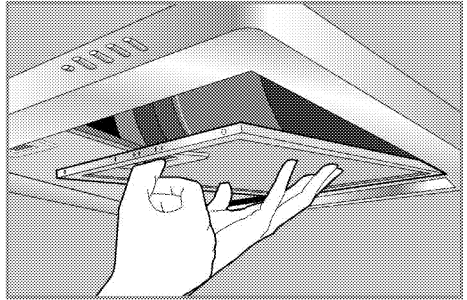
Если в вашей вытяжке установлен угольный фильтр, его следует удалить.

### 2 — использование без подсоединения к дымоходу.

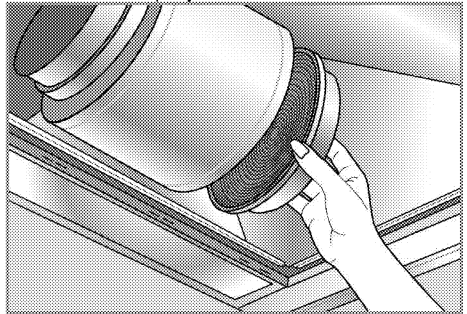
Воздух фильтруется через угольный фильтр и возвращается в помещение. Угольный фильтр

используется, если в доме отсутствует дымоход или невозможно установить трубу дымохода.

- Снимите алюминиевые фильтры, как показано ниже.



- Чтобы установить угольный фильтр, установите его по центру на пластмассовые детали с обеих сторон корпуса вентилятора и закрепите фильтр в выступях.
- Закрепите его, поворачивая вправо и влево, как показано на рисунке.



- Установите алюминиевые фильтры на место.

## Последующая транспортировка

- Сохраните оригинальную упаковочную коробку и перевозите изделие в ней. Следуйте указаниям, нанесенным на упаковке. Если оригинальная упаковочная коробка не сохранилась, заверните изделие в пузырчатую полиэтиленовую упаковку или поместите в коробку из плотного картона. Надежно заклейте клейкой лентой.



Не ставьте на изделие никаких предметов и перемещайте его в вертикальном положении.



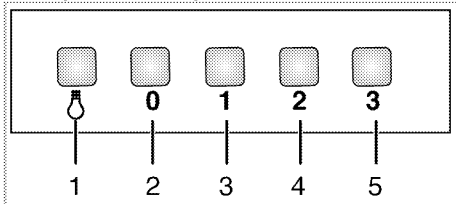
Осмотрите изделие снаружи на предмет возможных повреждений при транспортировке.

## 4 Эксплуатация воздухоочистителя

Воздухоочистители оснащены двигателями с различными регулировками скорости.

Для хорошей работы в нормальных условиях рекомендуется использовать малую скорость, а высокой скоростью пользоваться в условиях сильных запахов и обильного пара.

### Эксплуатация воздухоочистителя



- 1 Кнопка подсветки
- 2 Кнопочный выключатель
- 3 Скорость 1
- 4 Скорость 2
- 5 Скорость 3

1. Нажмите соответствующую кнопку скорости, на которой вы хотите использовать воздухоочиститель.



Никогда не нажимайте одновременно две кнопки. В случае их нажатия включится более высокая скорость.

### Выключение воздухоочистителя

1. Нажмите кнопку выключения, когда воздухоочиститель работает с определенной скоростью.

### Эксплуатация лампы

1. Нажмите кнопку лампы для включения лампы

### Выключение лампы

1. Чтобы выключить лампу, нажмите кнопку лампы еще раз.



Кнопка выключения не выключает лампу, она выключает только работу воздухоочистителя.

## 5 Уход и техническое обслуживание

### Общая информация

Регулярно выполняйте чистку изделия. Это позволит продлить срок его службы, а также избежать многих проблем.



#### ОПАСНО:

Перед выполнением работ по обслуживанию и чистке отключите изделие от электросети. Существует опасность поражения электрическим током!

- Изделие следует тщательно чистить после каждого использования. Так легче удалить остатки пищи, которые могут пригореть во время следующего использования изделия.
- Для чистки изделия не требуются специальные чистящие средства. Используйте теплую воду с добавлением жидкого моющего средства, мягкую ткань или губку. Вытрите сухой тканью.
- Для чистки поверхностей из нержавеющей стали и ручки не используйте чистящие средства, содержащие кислоту или хлор. Эти детали можно чистить мягкой тканью, смоченной в жидком моющем средстве (без абразива), стараясь протирать их в одном направлении.



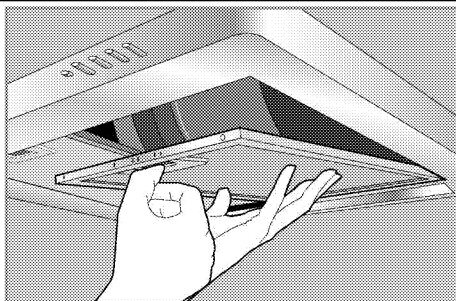
Некоторые моющие и чистящие средства могут повредить поверхность. Не используйте для чистки агрессивные моющие средства, чистящие порошки/кремы, а также острые предметы.



Не используйте для чистки пароочистители.

### Алюминиевый фильтр

Этот фильтр предназначен для улавливания частиц масла в воздухе. **В обычном режиме эксплуатации его рекомендуется чистить раз в месяц.** Для выполнения этого процесса сначала снимите алюминиевые фильтры. Промойте фильтры водой с моющим средством, высушите и установите на место. Из-за мытья алюминиевые фильтры со временем могут изменить цвет. Это нормально и не указывает на необходимость в замене фильтра.



Можно также мыть алюминиевый фильтр в посудомоечной машине.

### Снятие алюминиевых фильтров

1. Нажмите на фиксатор алюминиевого фильтра.
2. Слегка опустите фильтр и потяните вперед. В противном случае вы можете его согнуть.
3. После промывания для установки алюминиевого фильтра на место действуйте в обратном порядке.

### Угольный фильтр (используется без вытяжной трубы)

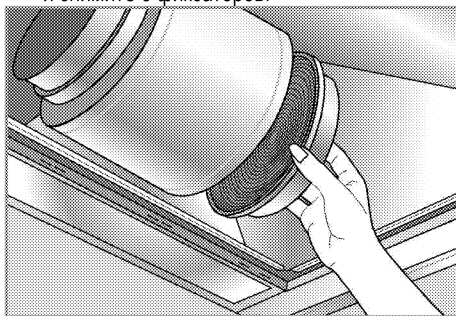


Угольные фильтры ни в коем случае нельзя мыть.

В обычном режиме их следует заменять через каждые 4 месяца. Угольные фильтры можно приобрести в авторизованном сервисном центре.

### Снятие угольных фильтров

1. Снимите алюминиевые фильтры
2. Чтобы снять угольный фильтр, поверните его и снимите с фиксаторов.



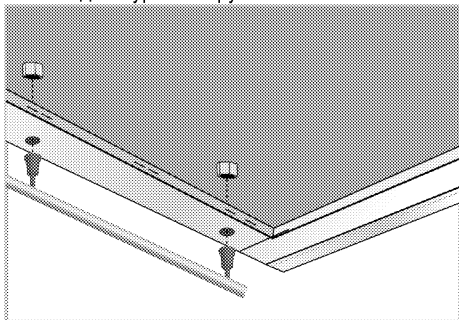
3. Установите новый угольный фильтр.
4. Установите алюминиевые фильтры на место.



Несоблюдение правил чистки и замены фильтров вытяжки может привести к пожару.

### Снятие ручки вытяжки

1. Снимите алюминиевые фильтры, нажав на фиксаторы.
2. Ослабьте гайки внутри вытяжки, находящиеся на одном уровне с ручкой.



3. Повторно закрепите ручки с помощью гаек на внутренней стороне вытяжки.
4. Установите алюминиевые фильтры на место.



В странах, где имеется сервисное обслуживание, монтаж ручек осуществляется сервисной службой.

### Замена лампы



#### ОПАСНО:

Во избежание поражения электрическим током, прежде чем заменять лампу, убедитесь в том, что изделие отключено от электросети. Если лампа горячая, подождите, пока она остынет. Горячие поверхности могут привести к ожогу!



Технические характеристики лампы см. *Технические характеристики, стр. 11.* Лампы подсветки духового шкафа можно приобрести у представителей авторизированной сервисной службы.



Лампа вытяжки в этом продукте может быть заменена пользователем.



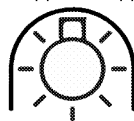
Расположение лампы может отличаться от изображенного на рисунке.



Лампа, используемая в этом приборе, не подходит для освещения бытовых помещений. Эта лампа предназначена для вспомогательной цели, позволяющей пользователю увидеть пищевые продукты.

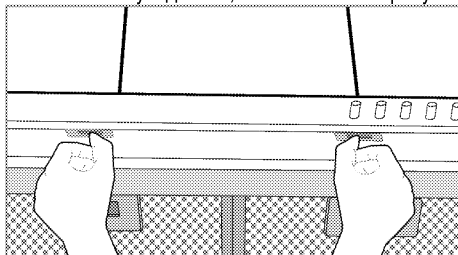


### ПРЕДУПРЕЖДЕНИЕ!



Используйте только галогенные лампы с вольфрамовой нитью и защитным экраном или металлогалогенные лампы с защитным экраном.

1. Прижмите фиксаторы лампы и снимите пластиковую деталь, как показано на рисунке.



2. Замените лампы.
3. Поместите пластиковую деталь лампы на место и закрепите пластиковые фиксаторы. Признаком надежной установки является щелчок.

## 6 Устранение неисправностей

### Изделие не работает.

- Плавкий предохранитель неисправен или перегорел. >>> *Проверьте плавкие предохранители в блоке предохранителей. При необходимости замените или переустановите их.*
- Изделие не включено в розетку электросети. >>> *Проверьте подключение штепсельной вилки.*
- Возможно, не включена кнопка регулировки скорости. >>> *Нажмите кнопку нужной скорости.*
- Подача электроэнергии отключена. >>> *Проверьте наличие электропитания. Проверьте предохранители в блоке предохранителей. При необходимости замените или переустановите предохранители.*

### Освещение воздухоочистителя не работает.

- Лампа воздухоочистителя неисправна. >>> *Замените лампу воздухоочистителя.*
- Подача электроэнергии отключена. >>> *Проверьте наличие электропитания. Проверьте предохранители в блоке предохранителей. При необходимости замените или переустановите предохранители.*



Если вы не можете устранить неполадки, несмотря на выполнение инструкций, приведенных в данном разделе, обратитесь к представителю авторизованной сервисной службы или к дилеру, у которого приобретено изделие. Не пытайтесь самостоятельно отремонтировать неисправный электроприбор.

Изготовитель: «Arcelik A.S.»

Юридический адрес: Караач Джаддеси № 2-6 34445 Сютлюдже Стамбул, Турция  
(Karaağaç Caddesi No:2-6 Sütlüce, 34445, Turkey)

Произведено в Турции

Импортер на территории РФ: ООО «БЕКО»

Юридический адрес: 601021 Россия, Владимирская обл., Киржачский р-н, МОСП Першинское, дер. Федоровское, ул. Сельская, д. 49.

Информацию о сертификации продукта Вы можете уточнить, позвонив на горячую линию 8-800-200-23-56.

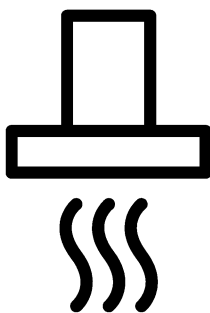
Дата производства включена в серийный номер продукта, указанный на этикетке, расположенной на продукте, а именно: первые две цифры серийного номера обозначают год производства, а последние две – месяц. Например, "10-100001-05" обозначает, что продукт произведен в мае 2010 года.

Изготовитель оставляет за собой право на внесение изменений в конструкцию, дизайн и комплектацию электроприбора.





**Витяжка**  
**Посібник користувача**



**UK**

## Будь ласка, спочатку прочитайте посібник користувача!

Шановний покупець!

Дякуємо за те, що надали перевагу продукції компанії «Веко». Сподіваємося, що цей високоякісний виріб, виготовлений із застосуванням найсучасніших технологій, продемонструватиме найкращі результати експлуатації. Для цього рекомендуємо вам прочитати весь посібник користувача та всю супровідну документацію, перш ніж користуватися виробом, і зберегти їх для майбутнього використання в довідкових цілях. Якщо ви передаєте комусь прилад, передайте й посібник користувача. Дотримуйтеся всіх попереджень й інформації, які містяться в посібнику користувача.

Зверніть увагу, що цей посібник також може бути дійсним для інших моделей. У ньому буде чітко вказано розбіжності між моделями.

### Пояснення до символів

У цьому посібнику користувача використано такі символи:



Важлива інформація або корисні поради з користування.



Попередження про небезпечні ситуації для життя та майна.



Попередження про ураження електричним струмом.



Попередження про ризик займання.



Попередження про гарячі поверхні.



**Arçelik A.Ş.**  
Karaağaç caddesi No:2-6  
34445 Sütlüce/Istanbul/TURKEY  
Made in TURKEY



**1 Важливі інструкції та попередження з техніки безпеки й охорони навколишнього середовища 4**

Загальні правила техніки безпеки .....	4
Електрична безпека .....	5
Правила техніки безпеки .....	6
Використання за призначенням .....	7
Безпека дітей .....	7
Утилізація старого приладу .....	8
Утилізація пакувальних матеріалів .....	8

**2 Загальна Інформація 9**

Огляд .....	9
Комплектація .....	10
Технічні характеристики .....	10

**3 Встановлення 11**

Встановлення .....	11
Для майбутнього транспортування .....	14

**4 Експлуатація витяжки 15****5 Догляд і технічне обслуговування 16**

Загальна інформація .....	16
Заміна лампи .....	17

**6 Пошук та усунення несправностей 18**

## 1 Важливі інструкції та попередження з техніки безпеки й охорони навколишнього середовища

У цьому розділі наведені правила техніки безпеки, які допоможуть уникнути ризику травмування та пошкодження. При недотриманні цих правил усі гарантійні зобов'язання буде анульовано.

Загальні правила техніки безпеки

- Цей виріб можуть експлуатувати діти, старші за 8 років, і люди з обмеженими фізичними, сенсорними та розумовими здібностями, а також особи, що не мають достатнього досвіду та знань, лише за умови перебування під наглядом осіб, відповідальних за їхню безпеку, чи під їхнім керівництвом стосовно безпечного користування виробом і розуміння можливих ризиків. Слідкуйте за тим, щоб діти не грали з виробом. Діти можуть чистити й обслуговувати виріб лише під наглядом.
- Небезпека отруєння! Під час роботи приладу повітря всмоктується з усіх будівлі. Якщо не забезпечити достатню вентиляцію, через наявність тяги в димоході відхідні й токсичні гази, які виділяються під час горіння будуть повертатися назад у будівлю. Не використовуйте прилад разом з джерелами, які можуть виділяти токсичні гази і створювати тягу повітря (печі на дровах, газі, нафті чи вугіллі, водонагрівачі, чайники тощо).
- Обов'язково перевіряйте стан вентиляції та тяги в димоході будівлі. Таку перевірку мають виконувати уповноважені особи.
- Цей прилад не призначений для використання особами (зокрема, дітьми) з обмеженими фізичними, сенсорними або розумовими можливостями, а також особами, які не мають відповідного досвіду та знань. Вони можуть користуватися приладом тільки під наглядом особи, відповідальної за їхню безпеку, або під її керівництвом. Діти не повинні гратися з приладом, для чого за ними потрібно наглядати. Діти можуть займатися очищенням і обслуговуванням приладу тільки під наглядом дорослих.
- Встановлення й ремонт приладу мають виконувати

працівники фірмового сервісного центру. Виробник не несе відповідальності за збитки, спричинені виконанням цих робіт особами, які не мають на це права.

- Не використовуйте несправний прилад чи прилад з будь-якими зовнішніми пошкодженнями.
- Після використання щоразу вимикайте прилад.
- У випадку передачі виробу третій особі для особистого використання або в цілях повторного використання необхідно також передати посібник користувача, наклейки виробу, а також всі пов'язані з ним документи та компоненти.
- Встановлення приладу мають виконувати кваліфіковані фахівці у відповідності з діючими правилами. Інакше гарантія буде анульована.

#### Електрична безпека

- Перед встановленням виробу перш за все підготуйте для нього місце і виконайте необхідні електротехнічні роботи. Після цього можна звертатися до найближчого фірмового сервісного центру.
- У разі несправності приладу слід припинити його

експлуатацію, поки його не буде відремонтовано у фірмовому сервісному центрі. Небезпека ураження електричним струмом!

- Не підключайте витяжку до електромережі, поки не будуть закінчені всі роботи зі встановлення.
- Не торкайтеся вологими руками до вилки кабелю живлення. Витягаючи штепсель з розетки, беріться за його корпус і ніколи не тягніть за шнур.
- Під час встановлення, обслуговування, чищення й ремонту обов'язково відключайте прилад від електромережі.
- Щоб уникнути нещасного випадку, заміну пошкодженого кабелю живлення повинен проводити виробник, його сервісна служба чи інша особа, яка має відповідну кваліфікацію.
- Місце підключення кабелю живлення має бути розташоване подалі від кухонної плити. Якщо ізоляція шнура розплавиться, може статися пожежа.
- Усі роботи з електричним обладнанням та системами має проводити лише

кваліфікований персонал із відповідним дозволом.

- У разі пошкодження вимкніть прилад і відключіть його від електромережі. Для цього вимкніть головний запобіжник у будинку.
- Номінальний струм запобіжника має відповідати характеристикам приладу.
- Не дозволяється мити прилад водою! Небезпека ураження електричним струмом!

#### Правила техніки безпеки

- Відстань між нижньою поверхнею витяжки і верхньою поверхнею кухонної плити має бути щонайменше 650 мм.
- Не торкайтеся лампи витяжки після тривалої роботи. Гаряча лампа може спричинити опіки рук.
- Не користуйтеся приладом, якщо не встановлений фільтр-жировловлювач. Не виймайте фільтри під час роботи приладу.
- Не допускайте великого полум'я під приладом, інакше вміст фільтра-жировловлювача може спалахнути, що спричинить пожежу.
- Вмикайте конфорки лише після встановлення посуду, інакше

певні частини приладу можуть деформуватися під впливом високої температури.

- Знімайте посуд з конфорок тільки після їх вимкнення.
- Не кладіть під витяжкою легкозаймисті матеріали.
- Не піддавайте прилад впливу відкритого полум'я, бо зібраний у фільтрі жир, може спалахнути. Не вмикайте прилад без фільтра.
- Не залишайте плиту без нагляду під час смаження. Жир може спалахнути, що призведе до пожежі. Крім того, слід дотримуватися заходів безпеки щодо тканин і штор.
- Витяжку слід регулярно чистити належним чином, інакше виникає небезпека її займання.
- Для очищення повітря на кухні від запахів і пари після приготування їжі слід вмикати витяжку принаймні на 15 хвилин.
- Якщо витяжка одночасно використовується для приладів, які працюють на газі або інших видах палива, кімната повинна мати відповідну вентиляцію. (Не застосовується до приладів, які тільки повертають повітря в приміщення).

- У приміщенні, де працює витяжка, не допускається використання негерметичних побутових нагрівачів на мазуті або газі, продукти горіння з яких надходять у повітря.
- Якщо ж такі нагрівачі використовуються, необхідно забезпечити належну вентиляцію приміщення.
- У приміщенні, де крім витяжки працює неелектричний нагрівач, слід підтримувати тиск на рівні не нижче 0,04 мбар від атмосферного, інакше всмоктані витяжкою випускні гази, можуть повертатися до приміщення.
- Забороняється приєднувати витяжку до вентиляційних каналів, куди виводяться гази від нагрівачів тощо або в якому є відкрите полум'я.  
Дотримуйтеся місцевих норм і правил щодо відведення випускного повітря.
- В разі потреби підключення до вентиляційного каналу слід використовувати труби діаметром 120 мм.  
З'єднувальна труба має бути якомога коротшою з мінімальною кількістю поворотів.
- Не підвишуйте легкозаймисті й горючі матеріали на ручки витяжки.
- Наша компанія не несе відповідальності за проблеми, які виникають через порушення наведених вище правил.
- Якщо очищення приладу з порушенням цієї інструкції, існує ризик виникнення пожежі.
- Забороняється виконувати фламбування під витяжкою.
- Застереження. У разі використання разом з кухонною плитою, зовнішні деталі приладу можуть нагріватися.
- За нормальних умов експлуатації рекомендується чистити цей фільтр один раз на місяць.

Використання за призначенням  
Цей прилад призначений тільки для побутового використання. Забороняється використання приладу з комерційною метою. Виробник не несе відповідальності за будь-які збитки, спричинені неналежним застосуванням або неправильним поводженням з приладом.

Безпека дітей

- Під час роботи приладу не допускайте до нього дітей та

не дозволяйте дітям гратися з приладом.

- Пакувальні матеріали становлять загрозу для дітей. Зберігайте пакувальні матеріали в недоступному для дітей місці та утилізуйте їх відповідно до правил знищення відходів.
- Електричні прилади становлять загрозу для дітей. Під час роботи приладу не допускайте до нього дітей та не дозволяйте дітям гратися з приладом.

### Утилізація старого приладу

**Відповідність Директиві щодо відпрацьованого електричного й електронного обладнання (Директива WEEE) й утилізація відходів**



Цей виріб відповідає вимогам Директиви WEEE (2012/19/EU). Цей виріб позначений символом приналежності до категорії відходів електричного й електронного обладнання (WEEE).

Цей виріб виготовлений з високоякісних деталей та матеріалів, які підлягають повторному використанню й переробці. Після закінчення терміну експлуатації цей виріб не можна викидати разом зі звичайними побутовими відходами. Його слід здати у відповідний пункт збору відходів електричного й електронного обладнання як вторинної сировини. Інформацію про місцезнаходження найближчого пункту збору відходів можна отримати в місцевих органах влади.

### Відповідність Директиві щодо обмеження використанням шкідливих речовин (RoHS)

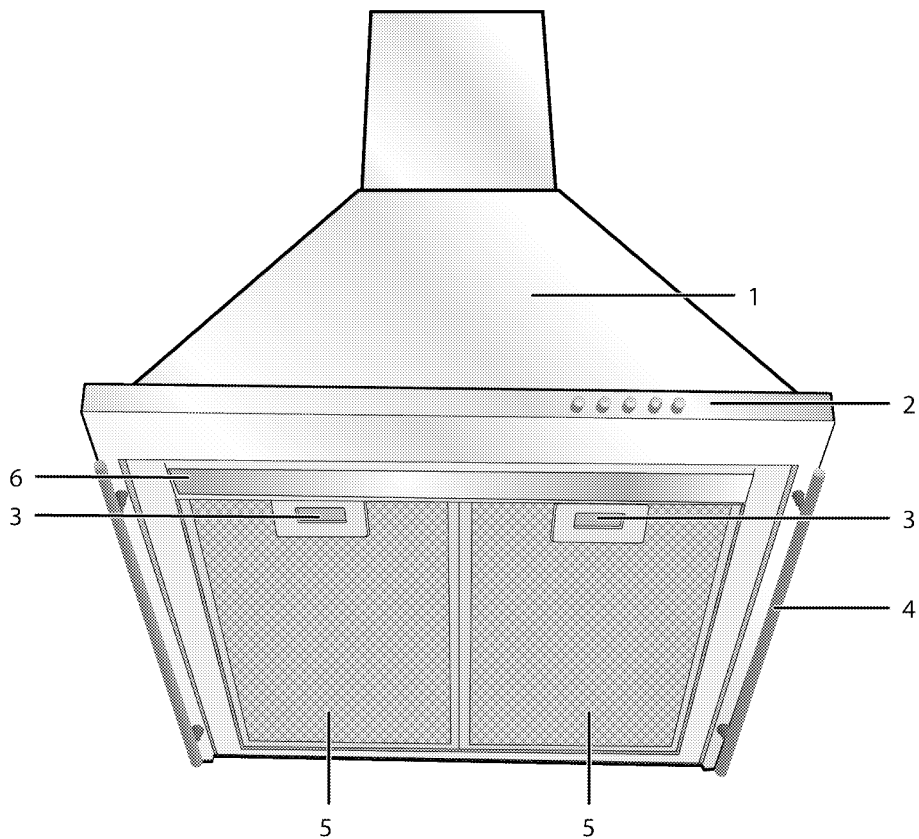
Цей виріб відповідає вимогам Директиви RoHS (2011/65/EU). Він не містить шкідливих та інших речовин, використання яких заборонено цією Директивою.

### Утилізація пакувальних матеріалів

- Пакувальні матеріали становлять загрозу для дітей. Зберігайте пакувальні матеріали в безпечному й недоступному для дітей місці. Пакувальні матеріали для приладу виготовлені з матеріалів, які підлягають вторинній переробці. Правильно утилізуйте їх і сортуйте відповідно до вказівок стосовно відходів, які підлягають переробці. Не викидайте їх разом зі звичайними побутовими відходами.

## 2 Загальна Інформація

### Огляд



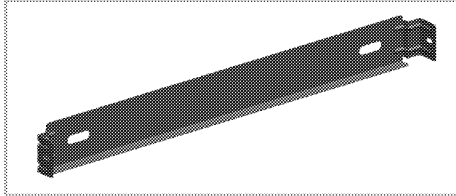
- 1 Корпус витяжки
- 2 Панель управління
- 3 Замок алюмінієвого фільтра
- 4 Ручка
- 5 Алюмінієвий фільтр
- 6 Лампочка

## Комплектація

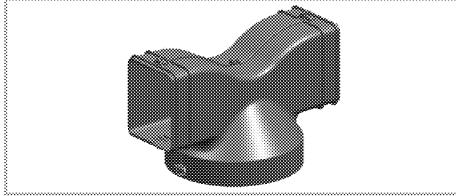


Прилад комплектується різним набором додаткового приладдя в залежності від моделі. Деяке додаткове приладдя, описане в посібнику користувача, може бути відсутнім у комплекті цього приладу.

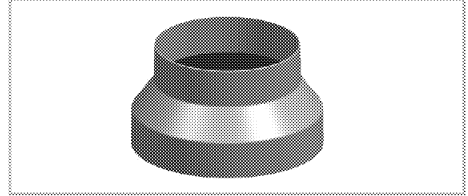
1. Посібник користувача
2. Деталь для кріплення до стіни



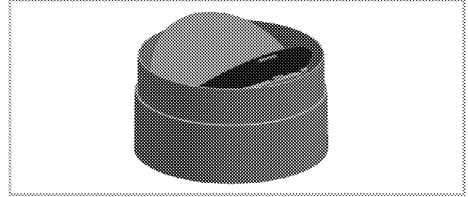
3. Компонент для спрямування повітря



4. Перехідник для присднання до вентиляційного каналу



5. Клапани для запобігання зворотному потоку повітря



## Технічні характеристики

Зовнішні габарити (висота/ширина/глибина)	мін. 735 мм макс. 1141 мм/598 мм/502 мм
Напруга/частота	220-240 В ; 50 Гц
Регулятор	3 рівень
Потужність всмоктування	460 м <sup>3</sup> /год.
Загальне енергоспоживання	макс. 200 Вт
Запобіжник	3 А
Діаметр вивідної труби	120 - 150 мм



З метою вдосконалення якості продукції технічні характеристики приладу можуть бути змінені без попереднього повідомлення.



Ілюстрації в цьому посібнику є схематичними і можуть дещо відрізнятися від придбаного приладу.



Значення, вказані на маркуванні приладу або в супровідних документах до нього, отримані в лабораторних умовах згідно з вимогами відповідних стандартів. Ці значення можуть бути іншими залежно від умов експлуатації та навколишнього середовища.



### 3 Встановлення

З питань встановлення приладу зверніться до найближчого фірмового сервісного центру. Перш ніж звертатися до фірмового сервісного центру для підготовки приладу до експлуатації, виконайте необхідні електротехнічні роботи або викличте для виконання необхідних підключень кваліфікованого електрика та монтера.



За підготовки місця для встановлення приладу та його підключення до електромережі відповідає покупець.



**НЕБЕЗПЕЧНО:**

Прилад слід встановлювати відповідно до всіх місцевих норм і правил, які стосуються електричного обладнання.



**НЕБЕЗПЕЧНО:**

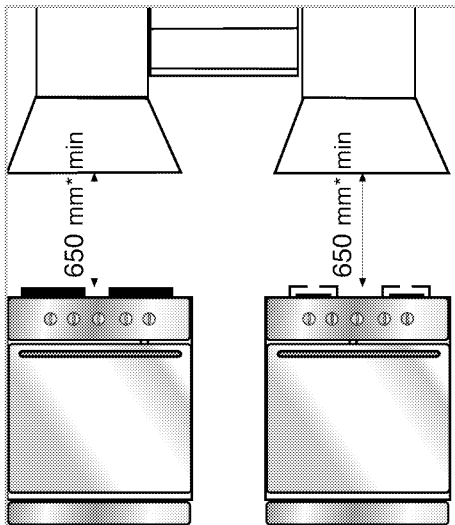
Перед встановленням огляньте прилад на наявність дефектів. У разі їх виявлення не встановлюйте прилад. Пошкоджені прилади можуть становити загрозу для вашої безпеки.



**НЕБЕЗПЕЧНО:**

Попередження. Встановлення гвинтів або фіксувального пристрою з порушенням цієї інструкції, може призвести до небезпеки ураження електричним струмом.

#### Встановлення



\* мін.

Між верхньою поверхнею варильної панелі та нижньою поверхнею витяжки повинен бути мінімальний проміжок 650 мм.

Повітря, що підлягає видаленню через витяжку, не повинно бути спрямоване в димохід, який використовується іншими приладами, в яких застосовується газ або інші види палива. (Не застосовується до приладів, які тільки повертають повітря в приміщення.)

Слід дотримуватися норм і правил випуску повітря.

#### Підключення до електромережі

Цей прилад оснащений двожилиним кабелем живлення, до електромережі його слід підключати через двополюсний вимикач із відстанню між контактами не менше 3 мм. Підключення до електромережі повинен виконувати досвідчений електрик.

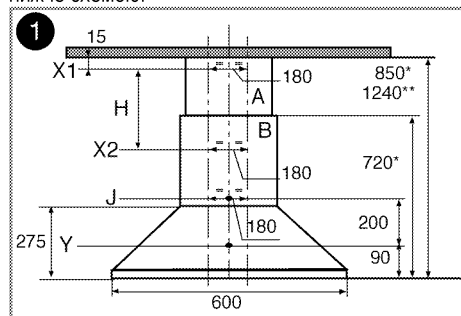
- Встановіть ваш електроприлад таким чином, щоб забезпечити прямий доступ до гнізда підключення до мережі (вилка, розетка) після установки.

#### Встановлення витяжки



Розміри вказані в мм.

Для підготовки місця для встановлення витяжки скористайтеся наведеною нижче інформацією. Витяжку слід встановлювати над центром кухонної плити. Між верхньою поверхнею варильної панелі та нижньою поверхнею витяжки повинен бути мінімальний проміжок 650 мм. Встановлення витяжки виконується за описаною нижче схемою.



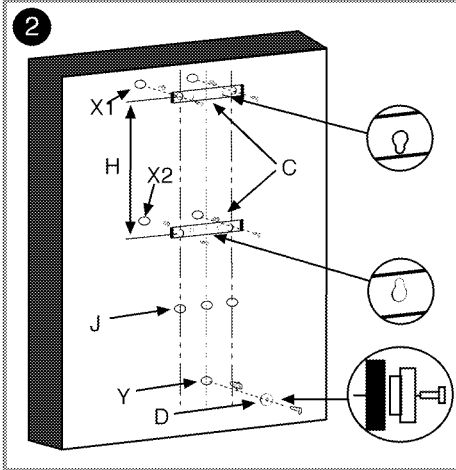
\* мін.

\*\* макс.

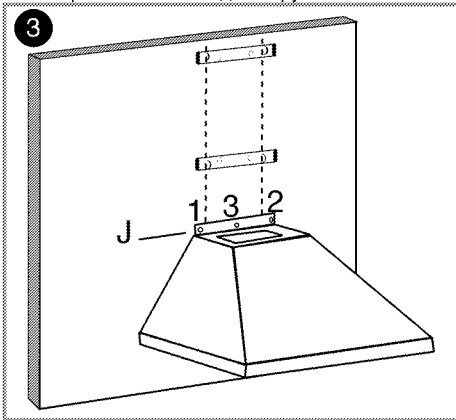
- Визначте середину кухонної плити та накресліть на стіні осьову лінію до висоти 950 мм. Потім накресліть з обох боків осьової

лінії дві паралельні лінії на відстані 90 мм і доведіть їх до стелі. Після цього визначте місця отворів — для цього накресліть горизонтальні лінії Y-J-X2 і X1 впоперек осьової лінії відповідно до розмірів, вказаних на рис. 1.

2. Просвердліть отвори діаметром 8 мм у точках X, Y, X2, X1 і вставте в них пластикові дюбелі з комплекту приладу. Перевірте, чи відповідають ці отвори тримачам димоходу.

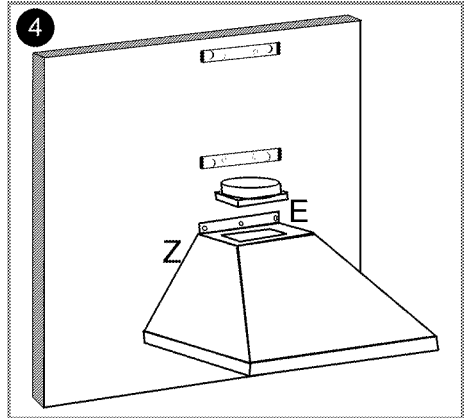


3. Вставте два гвинти з комплекту приладу в отвори X1 і X2 і прикріпіть кріпильні деталі (C), як показано на рис. 2. Прикріпіть до отвору Y розпірне кільце (D), повернувши його до стіни стороною меншого діаметру.

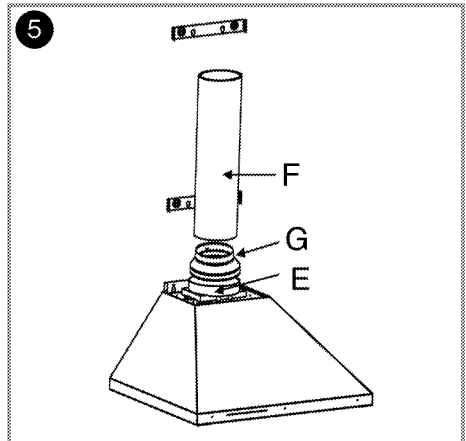


4. Встановіть витяжку овальним отвором на задній панелі на розпірне кільце, а потім потягніть її униз, щоб впеленитися в його надійній фіксації. Після цього прикріпіть

корпус витяжки до стіни шурупами через отвори J1 і J2 вгорі на задній панелі корпусу витяжки. Крім того, прикріпіть витяжку шурупом через отвір J3, щоб запобігти її випадковому падінню, як показано на рис. 3.



5. Приставте димохід фланцем (E) до прямокутного отвору зверху витяжки, й прикріпіть фланець до корпусу гвинтами 2,9 мм з комплекту, як показано на рис. 4.
6. **Режим відведення повітря через димохід**  
У разі приєднання витяжки до димоходу повітря, втягнуте через фільтри-жировловлювачі, виводиться через з'єднувальні труби у димохід, а потім — назовні.



Для використання такого з'єднувального положення на вихідний фланець димоходу слід встановити з'єднувач (E) з розміром від 150 мм до 120 мм, як показано на рис. 5.

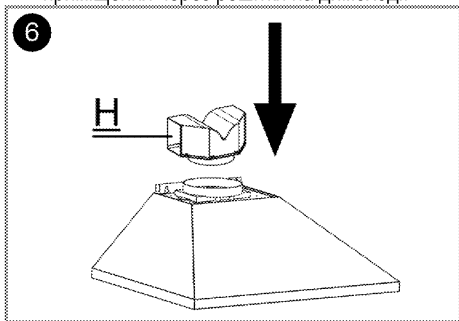
Для приєднання до димоходу слід використовувати труби з вогнетривкої пластмаси.

У разі використання гнучкого шлангу слід зважати на те, що різкі згини й раптове звуження шлангу можуть перешкоджати всмоктуванню повітря. Заборонено приєднувати витяжку до димоходу, до якого вже приєднані інші прилади.

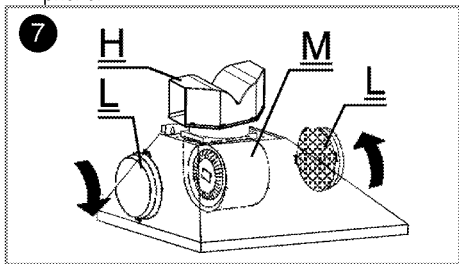
**i** Діаметр з'єднувальної труби має становити не більше 120 мм; в іншому разі, це буде перешкоджати правильному приєднанню димоходу.

## 7. Режим рециркуляції (з використанням вугільного фільтра)

У режимі рециркуляції всмоктане повітря проходить через фільтри-жировловлювачі й вугільні фільтри, які поглинають запахи, а потім — через компонент для спрямування повітря. Потім повітря повертається в приміщення через решітки на димоході.



Компонент для спрямування повітря встановлюється в точці H, як показано на рис. 6.

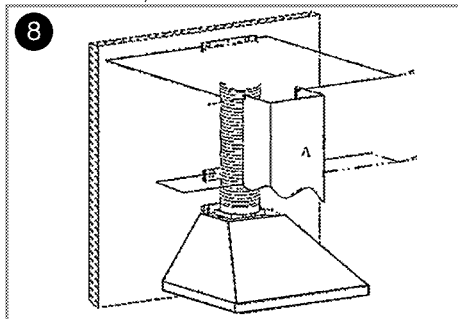


Сумістіть пази на вугільному фільтрі (L) з виступами на корпусі двигуна (M), як показано на рис. 7, і поверніть фільтр проти годинникової стрілки до фіксації. Виконайте таку саму процедуру з іншого боку корпусу двигуна.

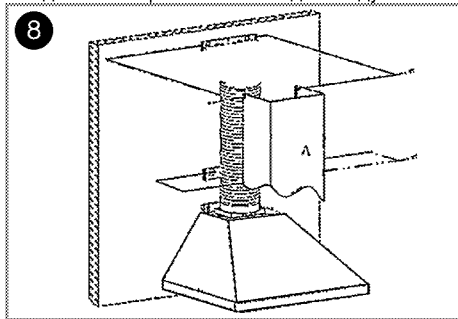
**i** Слід регулярно проводити чищення й обслуговування фільтрів-жировловлювачів, а також заміну вугільних фільтрів після закінчення терміну їхньої служби (приблизно 4 місяці). Невиконання цих заходів може призвести до пожежі.

## 8. Встановлення димоходу

Для встановлення верхньої частини димоходу А (довга) закріпіть верхні кути димоходу на з'єднанні (С), як показано нижче, і зафіксуйте гвинтами 2,9 мм.



Відстань між отворами X1 і X2 визначається під час встановлення відповідно до робочої довжини верхньої частини димоходу.



Для встановлення нижньої частини димоходу В (коротка) трохи розтягніть її, тримаючи з обох боків, і закріпіть в пазах верхньої частини повітроводу, як показано на рисунку вище.

### Витяжка може працювати в двох режимах 1 — режим відведення повітря через димохід.

Пара відводиться через димохід, приєднаний до витяжки за допомогою з'єднувального кільця. Діаметр димоходу має співпадати з діаметром з'єднувального кільця. Для того, щоб повітря вільно виходило з приміщення через

горизонтальні канали, трубу слід трохи підняти (приблизно на 10°).

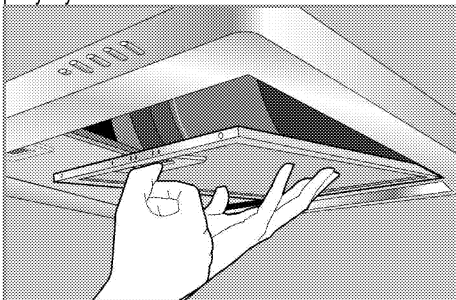


Якщо у витяжку встановлено вугільний фільтр, його слід вийняти, якщо використовується витяжка з вентиляційним каналом.

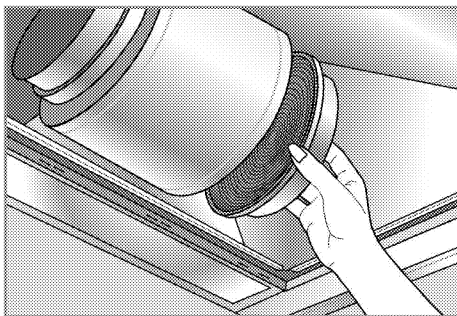
## 2 — режим без підключення до димоходу.

Повітря проходить через вугільний фільтр, очищується і повертається назад у приміщення. Вугільний фільтр застосовується у випадках, коли в будинку немає димоходу або неможливо встановити трубу димоходу.

- Зніміть алюмінієві фільтри, як показано на рисунку.



- Для встановлення вугільних фільтрів прикладіть їх до пластикових деталей з обох боків корпусу вентилятора та закріпіть за виступи.
- Зафіксуйте їх, повертаючи вправо чи вліво, як показано на рисунку.



- Встановіть на місце алюмінієві фільтри.

## Для майбутнього транспортування

- Збережіть оригінальну упаковку приладу й перевозьте прилад у ній. Дотримуйтеся вказівок, зазначених на упаковці. Якщо оригінальна упаковка не збереглася, обгорніть пристрій пухирчастим поліетиленом або товстим картоном і надійно заклейте скотчем.



Не ставте на пристрій жодних предметів і не встановлюйте його вертикально.



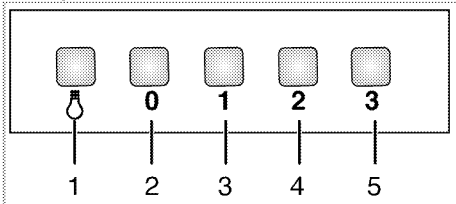
Перевірте загальний вигляд пристрою на можливі пошкодження під час транспортування.

## 4 Експлуатація витяжки

Витяжка оснащена двигуном з перемикачем швидкостей.

Для найбільш ефективної роботи малу швидкість рекомендується використовувати за нормальних умов, а високу – за наявності сильних запахів і великої кількості пари.

### Експлуатація витяжки



- 1 Кнопка підсвічування
- 2 Кнопковий вимикач
- 3 Швидкість 1
- 4 Швидкість 2
- 5 Швидкість 3

1. Встановіть потрібну швидкість, натиснувши відповідну кнопку.



Уникайте одночасного натискання обох кнопок. Якщо натиснути обидві кнопки, буде встановлена вища швидкість.

### Вимкнення витяжки

1. Під час роботи витяжки на вибраній швидкості натисніть кнопку вимкнення.

### Експлуатація лампи

1. Для увімкнення лампи натисніть кнопковий вимикач освітлення.

### Вимкнення лампи

1. Для вимкнення лампи знову натисніть кнопковий вимикач освітлення.



Кнопка вимкнення не вимикає лампу. Ця кнопка призначена тільки для вимкнення витяжки.

## 5 Догляд і технічне обслуговування

### Загальна інформація

Якщо регулярно чистити прилад, він служитиме довше, а поширені несправності виникатимуть рідше.



#### НЕБЕЗПЕЧНО:

Перед обслуговуванням та чищенням приладу його слід відключити від електромережі. Існує небезпека ураження електричним струмом!

- Ретельно очищуйте прилад після кожного використання. Так простіше усунути залишки їжі, які можуть пригоріти під час наступного використання приладу.
- Для чищення приладу не потрібні спеціальні засоби для миття. Прилад слід мити розчином рідкого миючого засобу, використовуючи м'яку тканину чи губку, а потім витирати сухою ганчіркою.
- Не використовуйте для чищення ручки й поверхонь з нержавіючої сталі засоби, які містять кислоту або хлор. Ці частини слід протирати м'якою тканиною, змоченою в рідкому миючому засобі без абразивних домішок, намагаючись дотримуватися одного напрямку.



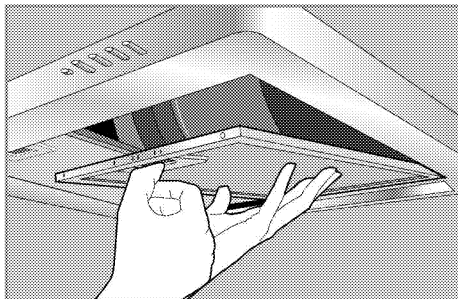
Деякі миючі засоби й матеріали для чищення можуть пошкодити поверхню. Не слід використовувати для чищення агресивні миючі засоби, чистильні порошки чи пасти або гострі предмети.



Забороняється використовувати для чищення пароочисники.

### Алюмінієвий фільтр

Цей фільтр уловлює з повітря частинки жиру. **За нормальних умов експлуатації рекомендується чистити цей фільтр один раз на місяць.** Для чищення фільтр потрібно зняти. Промийте його розчином рідкого миючого засобу, висушіть і встановіть на місце. З часом в результаті миття алюмінієві фільтри можуть змінити колір. Це нормально та не свідчить про необхідність їхньої заміни.



Алюмінієві фільтри також можна мити в посудомийній машині.

### Знімання алюмінієвих фільтрів

1. Натисніть на фіксатор алюмінієвого фільтра.
2. Обережно опустіть фільтр униз, а потім витягніть його назовні. В іншому разі фільтр може погнутися.
3. Після миття встановіть фільтр на місце, виконавши описані дії у зворотному порядку.

### Вугільний фільтр (використовується без витяжної труби)

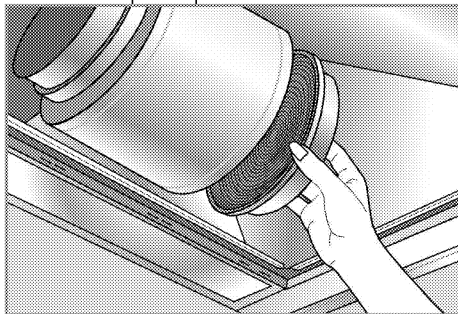


Вугільний фільтр мити не можна.

За нормальних умов експлуатації цей фільтр слід замінювати кожні 4 місяці. Вугільні фільтри можна придбати у фірмових сервісних центрах.

### Знімання вугільних фільтрів

1. Зніміть алюмінієві фільтри
2. Щоб зняти вугільний фільтр, поверніть його та зніміть з фіксаторів.



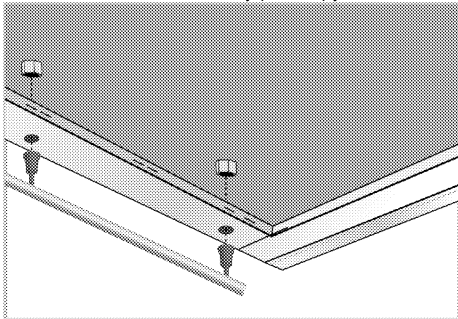
3. Встановіть новий вугільний фільтр.
4. Встановіть на місце алюмінієві фільтри.



Порушення правил очищення й заміни фільтрів витяжки може призвести до пожежі.

### Знімання ручки витяжки

1. Зніміть алюмінієві фільтри, натиснувши на фіксатори.
2. Ослабте гайки всередині витяжки, які знаходяться на одному рівні з ручками.



3. Повторно зафіксуйте ручки за допомогою гайок на внутрішній стороні витяжки.
4. Встановіть на місце алюмінієві фільтри.



В країнах, де є доступ до сервісного обслуговування, ручки встановлює сервісна служба.

### Заміна лампи



**НЕБЕЗПЕЧНО:**

Щоб уникнути ураження електричним струмом, перед заміною лампи обов'язково відключіть прилад від електричної мережі. Якщо лампа гаряча, зачекайте, поки вона охолоне. Гарячі поверхні можуть спричинити опіки!



Технічні характеристики лампи див. *Технічні характеристики, стор. 10*. Лампи підсвічування духової шафи можна придбати у представників авторизованої сервісної служби.



Розташування лампи може відрізнятись від зображення на рисунку.



Використовуйте тільки з самоекранючими вольфрамовими галогенними лампами або самоекранючими металгалогенними лампами.



Лампу витяжки в цьому виробі може змінити користувач.

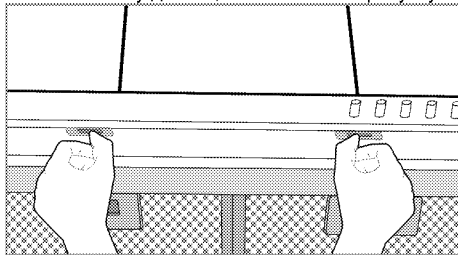


**ПОПЕРЕДЖЕННЯ!**



Використовуйте тільки з самоекранючими вольфрамовими галогенними лампами або самоекранючими металгалогенними лампами.

1. Притисніть фіксатори лампи і зніміть пластикову деталь, як показано на рисунку.



2. Замініть лампи.
3. Встановіть пластикову деталь на місце і закріпіть пластиковими фіксаторами. Ознакою належної фіксації пластикової деталі є клацання.

## 6 Пошук та усунення несправностей

### Прилад не працює.

- Запобіжник в електромережі несправний або спрацював. >>> *Перевірте запобіжники в блоці запобіжників. За необхідності замініть або увімкніть їх.*
- Духова шафа не ввімкнена в розетку електромережі. >>> *Перевірте підключення штепсельної вилки.*
- Не натиснута кнопка швидкості. >>> *Натисніть відповідну кнопку швидкості.*
- Відсутнє електроживлення. >>> *Перевірте наявність електроживлення. Перевірте запобіжники в блоці запобіжників. За необхідності замініть або увімкніть їх.*

### Не діє освітлення витяжки.

- Несправна лампа освітлення витяжки. >>> *Замініть лампу освітлення витяжки.*
- Відсутнє електроживлення. >>> *Перевірте наявність електроживлення. Перевірте запобіжники в блоці запобіжників. За необхідності замініть або увімкніть їх.*



Якщо за допомогою вказівок, наведених у цьому розділі, несправність усунути не вдалося, зверніться до фірмового сервісного центру або за місцем придбання приладу. Не намагайтеся відремонтувати несправний прилад самостійно.

Виробник: "Arçelik A.S."

"Arçelik A.S.", м. Стамбул, Сютлюдже, вул. Караагач №2-6, 34445, Туреччина  
(Karaağaç Caddesi No:2-6 Sütlüce, 34445, Turkey)

Офіційний представник на території України: ТОВ «Беко Україна»,  
адреса: 01021, м. Київ, вул. Кловський узвіз, буд. 5 тел/факс.: 0-800-500-4-3-2

Термін служби десять років

Інформацію про сертифікацію продукту Ви можете уточнити, зателефонувавши на гарячу лінію 0-800-500-4-3-2.

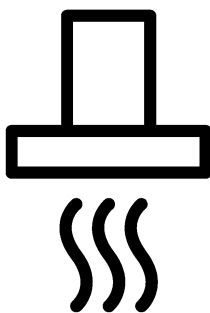
Дата виробництва міститься в серійному номері продукту, що вказаний на етикетці, розташованій на продукті, а саме, перші дві цифри серійного номера позначають рік виробництва, а останні дві - місяць.

Наприклад, «10-100001-05» означає, що продукт виготовлений в травні 2010 року.





**Абсорбатор**  
**Ръководство за употреба**



**BG**

## Моля, първо прочетете това ръководство за употреба.

Уважаеми купувачо,

Благодарим ви, че избрахте продукта на фирмата Веко. Надяваме се, че ще получите възможно най-добри резултати от използването на продукта ни, произведен по най-висококачествени и модерни технологии. Затова ви молим да прочетете това ръководство за употреба и всичката го съпътстваща документация внимателно преди да използвате уреда, а след това ги запазете за справка в бъдеще. Ако претстъпите продукта на друг потребител, то го предайте заедно с ръководството за употреба. Следвайте всички указания и информация в ръководството за употреба.

Помнете, че това ръководство за употреба може да е за няколко модела уреда. Разликите между моделите са уточнени в ръководството.

### Обяснение на символите

В това ръководство са използвани следните символи:



Важна информация или полезни съвети за употреба.



Предупреждение за риск за живота или имуществото.



Предупреждение за токов удар.



Предупреждение за риск от пожар.



Предупреждение за гореща повърхност.



**Arçelik A.Ş.**  
Karaağaç caddesi No:2-6  
34445 Sütlüce/Istanbul/TURKEY  
Made in TURKEY

**1 Важни указания и предупреждения за безопасност и опазване на околната среда 4**

Обща безопасност .....	4
Електрическа безопасност .....	5
Безопасност на продукта .....	6
Предназначение .....	7
Безопасност за децата .....	7
Изхвърляне на остарелия продукт .....	8
Изхвърляне на опаковъчните материали .....	8

**2 Основна информация 9**

Преглед .....	9
Каво има в доставката .....	10
Технически спецификации .....	10

**3 Монтаж 11**

Монтаж .....	11
Бъдещо транспортиране .....	14

**4 Работа с абсорбатора 15**

**5 Поддържане и грижа 16**

Обща информация .....	16
Смяна на лампата .....	17

**6 Отстраняване на неизправности 18**

## 1 Важни указания и предупреждения за безопасност и опазване на околната среда

Този раздел съдържа указания за безопасност, които ще ви помогнат да избегнете риска от нараняване или повреда. Неспазването на тези указания прави всякакви гаранции невалидни.

### Обща безопасност

- Уредът може да бъде ползван от деца на 8 и повече години и от лица с понижени физически, сензорни и умствени способности или такива без опит и познания, ако те са надзиравани или инструктирани относно употребата на уреда по безопасен начин и са наясно със свързаните с това рискове. Децата не бива да си играят с уреда. Почистването и потребителската поддръжка не бива да бъдат извършвани от деца без надзор.
- Риск от интоксикация! По време на работа на уреда се изсмуква въздуха в цялата къща. Ако не бъде осигурена подходяща вентилация, отпадните и токсични газове, които се освобождават в резултат на горенето, ще бъдат всмукани обратно в

къщата през кумина. Не работете с уреда при наличие на източници, които биха могли да излъчват токсични газове и да създават въздушна тяга (уреди, работещи с дърва, газ, масло или въглища, като печки, нагреватели на вода, чайници и др.)

- Винаги осигурявайте упълномощени лица за проверка на адекватността на вентилацията и тягата на кумина в сградата.
- Този уред не е предназначен за употреба от лица (включително деца) с намалени физически, сензорни или умствени способности, както и от такива без опит и знания, освен ако не са наблюдавани и инструктирани за използването на уреда от лице, отговорно за тяхната безопасност. Децата трябва да бъдат наблюдавани, за да се гарантира, че не си играят с уреда. Процедурите по почистване и поддръжка не трябва да се извършват от деца, освен ако не бъдат наблюдавани.

- Монтажът и ремонтните процедури винаги трябва да се извършват от упълномощен сервизен агент. Производителят не носи отговорност за щети, причинени от поправка извършена от неупълномощени лица.
  - Не използвайте продукта, ако даде дефект или е видимо повреден.
  - След употреба винаги проверявайте дали уредът е изключен.
  - Ако продуктът е даден на някой друг за лична употреба или употреба втора ръка, ръководството за употреба, етикетите на продуктите и другите, отнасящи се за него документи и части трябва също да се предоставят с него.
  - Продуктът трябва да се монтира от квалифициран специалист в съответствие с актуалните законови разпоредби. В противен случай гаранцията става невалидна.
- Електрическа безопасност
- За да подготвите продукта за използване, първо е необходимо да намерите място за монтаж и да подготвите електрическите връзки. След това можете да се обърнете към най-близкия до вас упълномощен сервиз.
  - Ако продуктът е повреден, не трябва да се използва преди да бъде поправен в упълномощен сервиз. Съществува риск от токов удар!
  - Никога не включвайте абсорбатора преди да е завършил монтажа.
  - Никога не докосвайте щепсела с влажни ръце! Не изключвайте като дърпате кабела; винаги хващайте щепсела, за да изключите.
  - При монтаж, поддръжка, почистване и ремонт, продуктът трябва да бъде изключен от контакта.
  - Ако захранващият кабел е повреден, трябва да се поправи от производителя, негов сервизен представител или квалифициран техник с цел да се избегне всякакъв риск.
  - Никога не включвайте захранващия кабел в близост до котлони. Ако се разтопи, кабелът може да доведе до пожар.
  - Всяка манипулация по електрическите съоръжения и системи може да се извършва

само от упълномощени и квалифицирани лица.

- В случай на каквато и да е повреда, спрете продукта и го изключете от захранването. За да направите това, изключете предпазителя на дома.
- Проверете дали напрежението на предпазителя е съвместимо с продукта.
- Никога не мийте продукта с вода! Съществува риск от токов удар!

#### Безопасност на продукта

- Височината между долната повърхност на абсорбатора и горната повърхност на котлона не трябва да бъде по-малко от 650 mm.
- Никога не докосвайте лампите на абсорбатора, ако са работили продължително време. Горещите лампи могат да изгорят ръцете ви.
- Никога не работете с продукта без филтър. Никога не сменяйте филтрите, когато продуктът работи.
- Избягвайте високи пламъци под продукта. В противен случай частиците на филтъра могат да се запалят и да предизвикат пожар.
- Включвайте котлоните, когато поставяте върху тях тенджери

или тигани. В противен случай покачването на температурата може да деформира определени части на продукта.

- Изключвайте котлоните преди да вземете тенджерите или тиганите.
- Избягвайте да поставяте запалими материали под абсорбатора.
- Не излагайте продукта на открит пламък под него. Това може да причини запалване на натрупаната във филтъра мазнина. Не работете с продукта без филтър.
- Никога не оставяйте печката без наблюдение при пържене. Маслото може да се възпламени, а горящата мазнина да причини пожар. Следователно внимавайте за дрехите и завесите.
- Ако абсорбаторът не се почиства периодично по правилен начин, е възможен риск от изгаряне.
- За опресняване на въздуха в кухнята от миризмите при готвене и парите включете абсорбатора за допълнителни 15 минути след приключване на готвенето или пърженето.
- В помещението е необходимо да има достатъчна вентилация при едновременна употреба на

абсорбаторите с използващи газ или други горива уреди. (Не е приложимо за уреди, които изпускат въздуха обратно в .

- В средата, в която се използва абсорбаторът, изпускането на масло или газ от уреди, като печки в помещението, трябва да се изолира изцяло или уредът трябва да бъде от херметичен тип.
- Ако в помещението има уреди, работещи с гориво, масло или газ, то трябва да бъде добре вентилирано.
- При съвместно използване на неелектрически уреди в средата заедно с абсорбатора, отрицателното налягане в помещението трябва да бъде максимум 0.04 mbar, за да се избегне връщането на изпусканите от другия уред газове обратно в помещението.
- Никога не свързвайте абсорбатора към кумини, които се използват с нагревателни печки, за отпадни газови продукти или при уреди, работещи с пламък. Спазвайте местните разпоредби при изпускането на пари във въздуха.
- При свързване към кумин използвайте тръби с диаметър

120 mm. Тръбната връзка трябва да бъде възможно най-къса с по-малко огъвания.

- Не окачвайте лесно възпраменими и горими материали върху дръжките на абсорбатора.
- Компанията не поема отговорност за проблеми, произтичащи от използването на уреда въпреки посочените по-горе предупреждения.
- Ако не се извършва почистване в съответствие с инструкциите, съществува риск от пожар.
- Не правете фламбе под абсорбатора.
- Внимание: Достъпните части могат да се нагорещят при използване с готварски уреди.
- Препоръчва се при нормална употреба да почиствате филтъра веднъж на месец.

Предназначение

Продуктът е предназначен за битова употреба. Употребата му за търговски цели не е допустима.

Производителят не носи отговорност за щети, причинени от неправилна употреба.

Безопасност за децата

- Пазете децата далеч от уреда по време на работа и не им

позволявайте да си играят с него.

- Опаковъчните материали са опасни за децата. Пазете опаковъчните материали на място, което децата не могат да достигнат, и ги сортирайте и изхвърлете съгласно разпоредбите за изхвърляне на отпадъци.
- Електрическите уреди са опасни за децата. Пазете децата далеч от уреда по време на работа и не им позволявайте да си играят с него.

### **Изхвърляне на остарелия продукт**

**Съвместимост с WEEE Директива за изхвърляне на отпадъчни продукти:**



Продуктът отговаря на изискванията на директивата на ЕС за изхвърляне на отпадъчни продукти (2012/19/EU). Този продукт носи

класификационен символ за отпадъчно електрическо и електронно оборудване (WEEE). Продуктът е произведен от висококачествени части и материали, които могат да се използват повторно и са подходящи за рециклиране. Не изхвърляйте уреда заедно с обикновените битови и други отпадъци в края на оперативния му живот. Занесете го в събирателния център за рециклиране на електронно и електрическо оборудване. Обърнете се към местните власти за повече подробности относно тези събирателни центрове.

### **Съвместимост с директивата за ограничаване на употребата на определени опасни вещества:**

Закупеният от вас продукт отговаря на изискванията на директивата за ограничаване на употребата на определени опасни вещества на ЕС (2011/65/EU). Той не съдържа никой от вредните и забранени материали, описани в Директивата.

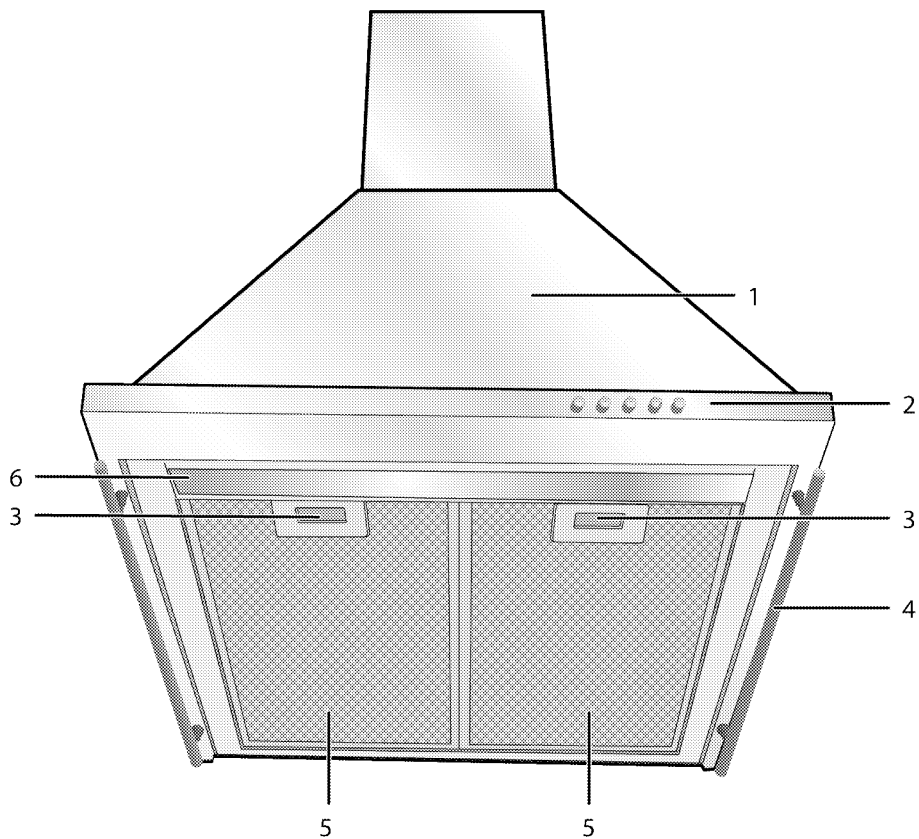
### **Изхвърляне на опаковъчните материали**

- Опаковъчните материали са опасни за децата. Дръжте опаковъчните материали на безопасно място, извън достъпа на деца. Опаковъчните материали на продукта са изработени от преработваеми материали. Изхвърлете ги по подходящ начин и сортирайте в съответствие с указанията за рециклиране на отпадъци. Не ги изхвърляйте с нормалните битови отпадъци.



## 2 Основна информация

### Преглед



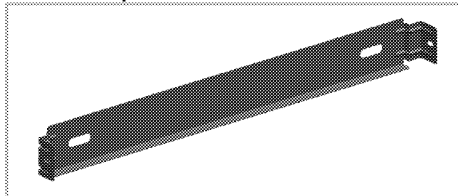
- 1 Корпус на абсорбатора
- 2 Контролен панел
- 3 Заклучване на алуминиевия филтър
- 4 Дръжка
- 5 Алуминиев филтър
- 6 Лампа

## Каво има в доставката

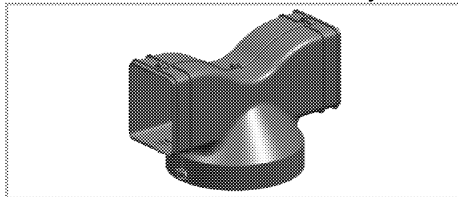


Доставените аксесоари могат да бъдат различни, в зависимост от модела на уреда. Вашият продукт може да не е снабден с всички принадлежности, описани в ръководството.

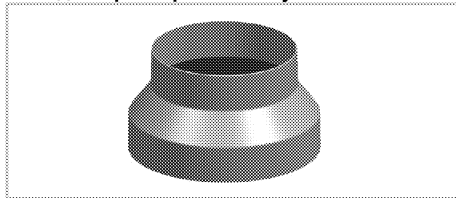
1. Ръководство за употреба
2. Конектор за стена



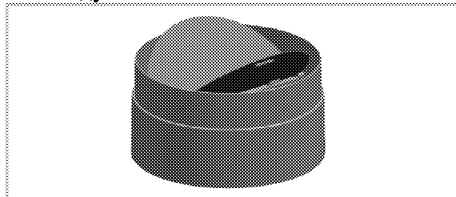
3. Компонент за насочване на въздуха



4. Адаптер на връзката с кумина



5. Клапани, предотвратяващи възвратен въздушен поток



## Технически спецификации

Външни размери (височина/ширина/дълбочина)	мин. 735 мм макс. 1141 мм/598 мм/502 мм
Волтаж/честота	220-240 V ; 50 Hz
Управление	3 ниво
Смукателна мощност	460 м <sup>3</sup> /h
Обща консумация на енергия	макс. 200 W
Предпазител	3 A
Диаметър на тръбата на изхода за отработен въздух	120 - 150 мм



Техническите спецификации може да бъдат променени без предупреждение с цел подобряване качеството на продукта.



Фигурите в това ръководство са схематични и може да не съвпадат точно със закупения от вас продукт.



Стойностите, отбелязани върху маркировката на продукта или в другите листовки, предоставени с продукта, са получени при лабораторни условия, отговарящи на стандартите. Тези стойности може да варират в зависимост от условията на работа и околната среда на продукта.

### 3 Монтаж

За монтажа на продукта се обърнете към най-близкия упълномощен сервиз. Свързването на електричеството трябва се направи преди да повикате представител на упълномощения сервиз, който да подготви уреда за работа. Ако не, повикайте квалифициран електротехник да направи каквото е необходимо.

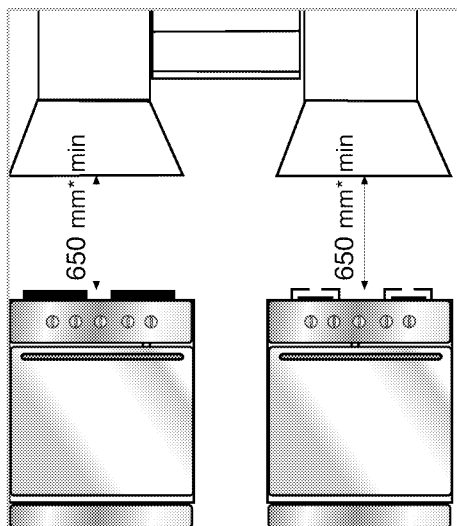
**i** Подготовката на мястото и свързването на електричеството за продукта са отговорност на клиента.

**!** **ОПАСНОСТ:**  
Уредът трябва да бъде монтиран в съответствие с всички наредби относно електрическите уреди.

**!** **ОПАСНОСТ:**  
Преди монтажа, разгледайте продукта за видими дефекти.  
Ако има такива, то не го монтирайте.  
Повредените продукти водят до риск за безопасността.

**!** **ОПАСНОСТ:**  
Предупреждение: Ако не поставите винтовете или не фиксирате уреда в съответствие с инструкциите, са възможни свързани с електричеството рискове.

#### Монтаж



\* мин.

Между горната повърхност на плота и долната част на аспиратора трябва да има минимално разстояние от 650 мм.

Въздухът, който се изсмуква чрез абсорбатора, не трябва да се свързва към димоотвод, който се използва от друг уред, използващ газ или друго гориво. (Не се прилага за устройства, които само изпускат въздуха обратно в помещението.)

Трябва да се спазват разпоредбите за отвеждане на замърсения въздух.

#### Свързване към електричеството

Произведен с двужилен захранващ кабел, този уред трябва да се свързва към захранването чрез електрически превключвател с поне 3 мм разстояние между изводите на биполярния контакт. Електрическото свързване трябва да се извършва от квалифициран електротехник.

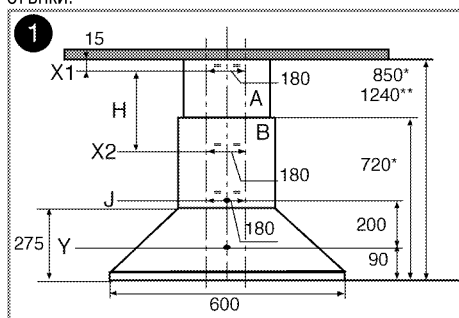
- Уредът трябва да се монтира така, че след монтажа електрическите връзки (контакт, щенсел) да бъдат лесно достъпни.

#### Монтаж на абсорбатора

**i** Размерите са в мм.

По-долу ще намерите необходима информация за подготовката на мястото за монтаж на абсорбатора.

Абсорбаторът трябва да се монтира централно над готварския уред. Между горната повърхност на плота и долната част на аспиратора трябва да има минимално разстояние от 650 мм. Моля, за монтажа на абсорбатора следвайте следните стъпки.

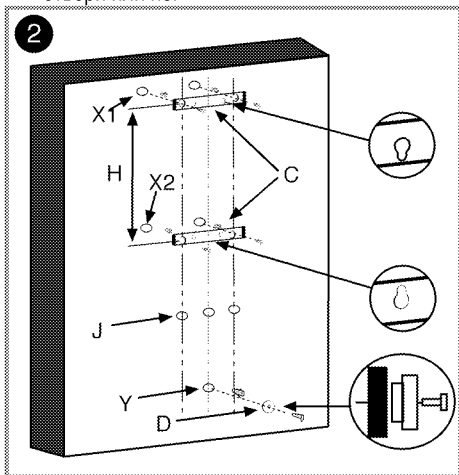


\* мин.  
\*\* макс.

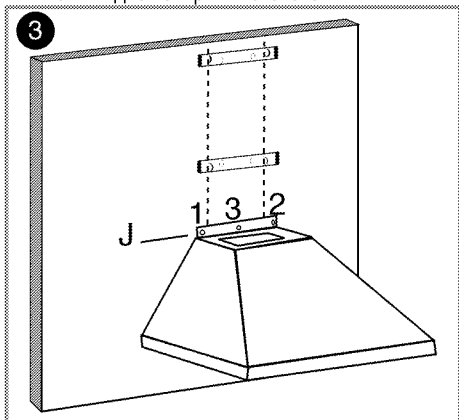
1. След като центрирате кухненския уред, начертайте осева линия на стената нагоре до височина 950 мм. След това начертайте две

успоредни линии на 90 мм разстояние от двете страни на осевата линия като достигнете тавана. След това определете местоположението на отворите чрез изчертаване на линии Y-J-X2 и X1, които разрязват вертикално осевата линия. Размерите са дадени на Фигура 1.

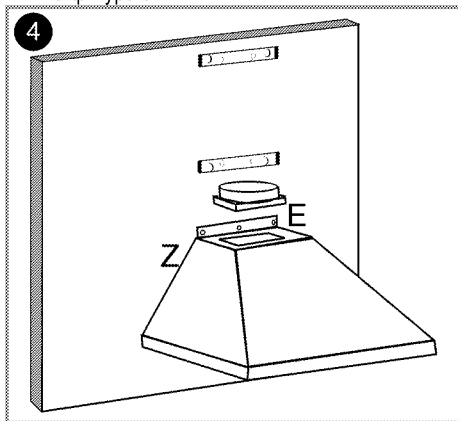
2. Пробийте осем отвора 8 мм в точки X, Y, X2, X1 и поставете доставените в опаковката пластмасови стопери. Проверете дали конекторите на дымоотвода отговарят на тези отвори или не.



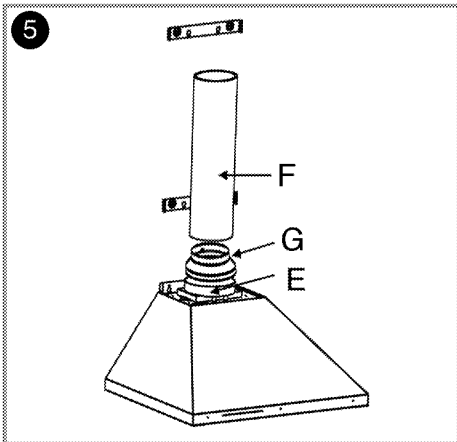
3. Фиксирайте конекторите (C) към отворите X1 и X2 с помощта на доставените с аксесоарите два фиксиращи винта, както е показано на Фигура 2. Завийте разделителния пръстен (D) върху отвора Y, като разположите страната с малкия диаметър към стената.



4. Монтирайте абсорбатора от отвора на шпонката върху задната страна в разделителния пръстен и изтеглете надолу, за да се уверите, че е добре захваната. След това завийте корпуса върху стената от отвори J1 и J2 на горната задна страна на корпуса. За да избегнете случайно падане на абсорбатора, го завийте и в отвор J3, показан на фигура 3.



5. Поставете фланеца на извода за дымоотвод (E), както е показано на фигура 4, към правоъгълния извод в горната част на абсорбатора; завийте фланеца към корпуса с помощта на 2,9 мм винтове, доставени с аксесоарите.
6. **За използване с връзка за дымоотвод:** В позицията на свързването с дымоотвода, абсорбираният въздух преминава през маслените филтри към извода, след това достига дымоотвода през свързващите тръби и накрая се изтегля през дымоотвода.



При използване на позицията за подобно свързване е необходимо да се постави изходен фланец с размер от 150 мм до 120 мм, както е показано на фигура 5.

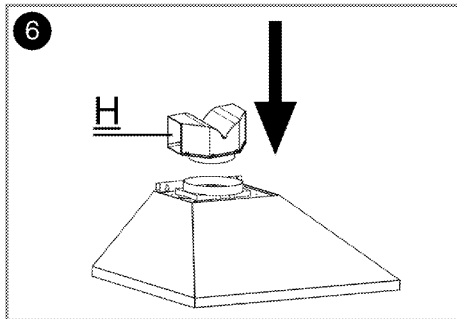
Тръбите за свързване с дымоотвода трябва да са направени от огнеустойчив материал. При използване на гъвкава връзка трябва да имате предвид, че острите ъгли и сгъвания могат да окажат отрицателно влияние върху засмукването на въздуха.

Аспираторът не трябва да се свързва към дымоотвод, към който вече е било свързано друго устройство.

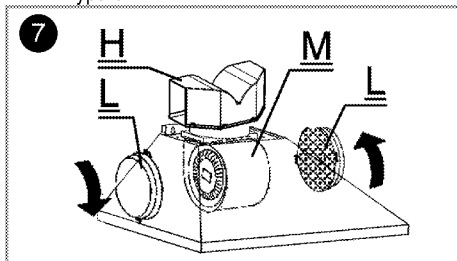
**i** Свързващата тръба не трябва да бъде по-голяма от 120 мм; в противен случай правилното свързване с дымоотвода ще бъде възпрепятствано.

### 7. Вътрешна циркулация (Използване на въглероден филтър)

В позицията на вътрешната циркулация, въздухът, абсорбиран от средата, преминава през маслени филтри и въглеродни филтри, където се елиминира миризмата, и преминава през компоненти за насочване на въздуха. По-късно, окончателно се отвежда към околната среда през решетките на дымоотвода.



Компонентът за насочване на въздуха се монтира в точка H, както е показано на Фигура 6.

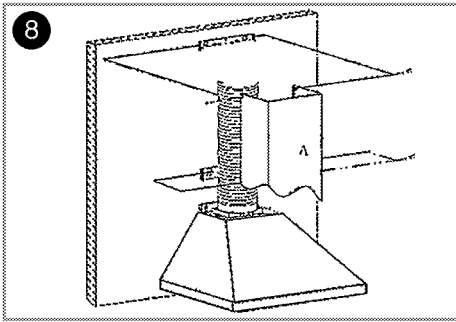


Поставете ушите на въздушните филтри (L) към ушите върху носача на двигателя (M), както е показано на фигура 7, и завъртете в обратна на часовниковата стрелка посока, за да ги фиксирате на място. Приложете същата процедура от другата страна на носача на двигателя.

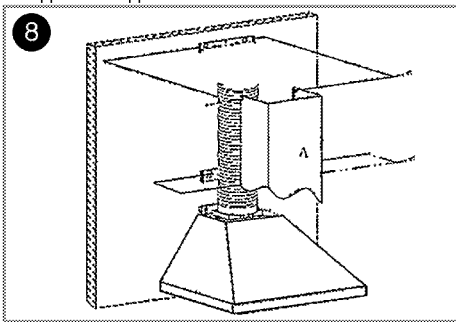
**i** Ако маслените филтри не се почистват и не се обслужват редовно и въглеродните филтри не се заменят в края на експлоатационния им живот (около 4 месеца), това може да създаде риск за причиняване на пожар.

### 8. Монтиране на дымоотвода

За да монтирате горната част на дымоотвод A, захванете горните ъгли на дымоотвода към връзката (C), както е показано по-долу, и завийте към конектора с 2,9 мм винтове.



Разстоянието между отвора X1 и X2 се определя по време на монтажа в зависимост от използваната дължина на горната част на димоотвода.



За да монтирате долната част на димоотвод В, разгънете димоотвода като го издърпате леко от двете страни и го захванете върху отворите на горната част, както е показано на горната фигура.

### Можете да използвате абсорбатора по два начина:

#### 1- Свързване с димоотвод

Парата се отвежда чрез димоотводната тръба, която е закрепена към свързващия пръстен на абсорбатора. Диаметърът на димоотвода трябва да бъде равен на диаметъра на свързващия пръстен. За да се разреши свободното отвеждане на въздуха от стаята при хоризонтален монтаж, тръбата трябва да бъде леко наклонена нагоре (приблизително 10°).



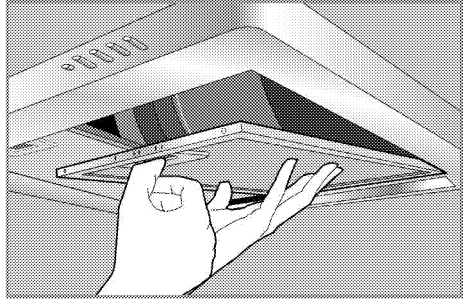
Когато използвате абсорбатора с димоотвод, премахнете монтирания въглероден филтър.

#### 2- Без връзка с димоотвод

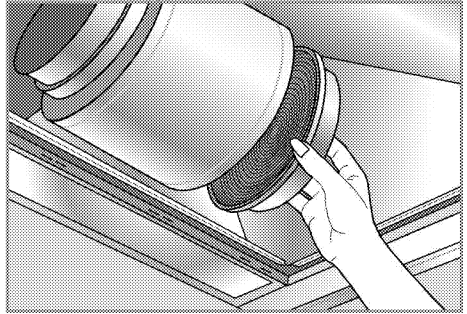
Въздухът се филтрира през въглеродния филтър и се връща в помещението. Въглеродният филтър се използва, когато няма димоотвод в

къщата или когато не е възможно монтиране на димоотводна тръба.

- Премахнете алуминиевите филтри, както е показано по-долу.



- За да монтирате въглеродния филтър, центрирайте го върху пластмасовите части от двете страни на тялото на вентилатора и захванете филтъра с фиксаторите, за да го монтирате.
- Затегнете надясно и наляво, както е показано на фигурата.



- Поставете отново алуминиевите филтри.

### Бъдещо транспортиране

- Пазете оригиналната опаковка и транспортирайте продукта в нея. Следвайте указанията върху кашона. Ако не сте запазили оригиналния кашон, опаковайте уреда в найлон с мехурчета и го залепете плътно.



Не поставяйте никакви предмети върху продукта и го пренасяйте в изправено положение.



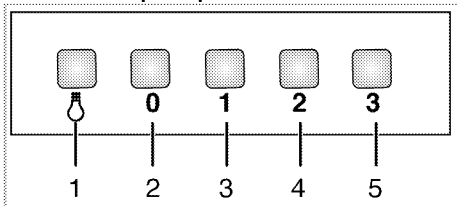
Огледайте продукта отвън за евентуални повреди при пренасянето.

## 4 Работа с абсорбатора

Абсорбаторът е оборудван с двигател с различни настройки на скоростта.

За по-добра работа на уреда ви съветваме да използвате ниски скорости при нормални условия и високи скорости при усилване на миризмите и парата.

### Работа с абсорбатора



- 1 Бутон за лампата
- 2 Бутон за изключване
- 3 Скорост 1
- 4 Скорост 2
- 5 Скорост 3

1. Натиснете съответния бутон за скорост, при която искате да работи абсорбатора.



Никога не натискайте едновременно два бутона. В този случай се активира по-високата скорост.

### Изключване на абсорбатора

1. Натиснете бутона за изключване, когато абсорбаторът работи на определена скорост.

### Работа с лампата

1. Натиснете бутона на лампата, за да я включите.

### Изключване на лампата

1. Натиснете отново бутона на лампата, за да я изключите.



Бутонът за изключване не изключва лампата, а само спира работата на абсорбатора.

## 5 Поддържане и грижа

### Обща информация

Оперативният живот на уреда ще се удължи, а често срещаните проблеми ще намалеят ако уредът се почиства редовно.



#### ОПАСНОСТ:

Изключете уреда от захранването при почистване и поддръжка.

Съществува риск от токов удар!

- След всяко ползване почиствайте уреда добре. По този начин всякакви остатъци от готвенето се почистват по-лесно и се избягва изгарянето им при следващото използване на уреда.
- За почистването на уреда не са необходими специални почистващи препарати. Използвайте хладка вода и измивач се препарат, мека кърпа или гъба за почистване на фурната и я забършете със сух парцал.
- Не използвайте почистващи вещества, съдържащи киселина или хлор за почистване на неръждаемото покритие и дръжката. Използвайте мека кърпа с течен препарат (неабразивен), за да забършете тези части, като внимавате да забърсвате в една посока.



Повърхността може да се повреди от някои почистващи препарати и материали. Не използвайте агресивни почистващи препарати, прахообразни/кремообразни препарати или остри предмети при почистването.

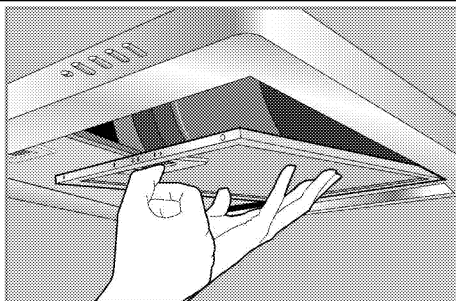


За чистене не използвайте почистващи средства с пара.

### Алуминиев филтър

Този филтур улавя капките мазнине във въздуха.

**Препоръчва се при нормална употреба да почиствате филтъра веднъж на месец.** За тази цел първо отстранете алуминиевите филтри. Измивайте филтрите във вода с течен препарат и ги монтирайте след подсушаване. Алуминиевите филтри могат да променят цвета си с времето поради влиянието на измиването. Това е нормално и не е необходимо да сменят филтъра.



Освен това можете да миете алуминиевите филтри в съдомиялна машина.

### Отстраняване на алуминиев филтър

1. Притиснете заключалката на алуминиевия филтър напред.
2. Внимателно снижете филтъра и го избутайте напред. В противен случай е възможно да го огънете.
3. След измиване монтирайте алуминиевия филтър на място като следвате процедурата в обратен ред.

### Въглероден филтър (За употреба без кумин)

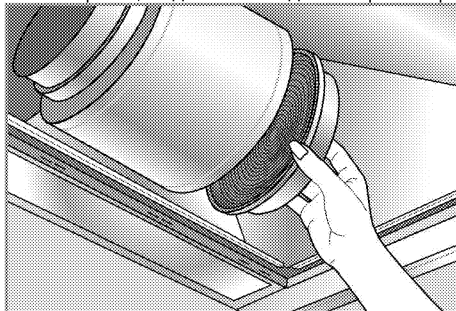


Въглеродният филтър никога не трябва да се мие.

Трябва да се сменя веднъж на всеки 4 месеца при нормална употреба. Можете да получите въглеродни филтри от Упълномощения сервизен център.

### Отстраняване на въглероден филтър

1. Отстраняване на алуминиеви филтри
2. За да отстраните въглеродния филтър, го завъртете, за да го освободите от фиксатора.



3. Монтирайте нов въглероден филтър.
4. Поставете отново алуминиевите филтри.

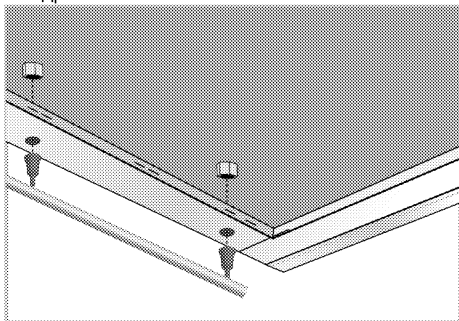




Ако не спазвате правилата относно почитването и смяната на филтрите на абсорбатора, е възможно да причините пожар.

### Отстраняване на дръжката на абсорбатора

1. Отстранете алуминиевите филтри като притиснете заключалките им.
2. Разхлабете гайките от вътрешната страна на абсорбатора на нивото на нивото на дръжките.



3. Захванете отново гайките от вътрешната страна на абсорбатора на нивото на дръжките.
4. Поставете отново алуминиевите филтри.



В страните, в които се предлага сервизна поддръжка, дръжките трябва да се монтират от представител на сервизното обслужване.

### Смяна на лампата



#### ОПАСНОСТ:

Преди да смените лампата се уверете, че продуктът е изключен от захранването, за да избегнете риска от токов удар. Оставете лампата да се охлади, ако е гореща. Горещите повърхности могат да причинят изгаряния!



Лампата на аспиратора в този продукт може да бъде сменена от потребителя.



Спецификациите на лампата можете да видите в *Технически спецификации*, стр. 10. Можете да се сдобие с лампи за фурната от упълномощен сервизен агент.



Позицията на лампата може да се различава от тази на фигурата.



Лампата, която се използва в този уред не е подходящ за осветление на битови стая.. Предназначението на тази лампа е да помогне на потребителя да види храните.

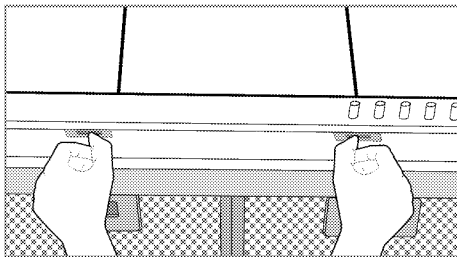


### ПРЕДУПРЕЖДЕНИЕ



Използвайте само халогенни лампи с волфрамов заряд или самозащитни метални халогенни лампи.

1. Притиснете фиксаторите на лампата напред, за да отстраните пластмасовата част, както е показано.



2. Сменете лампата на абсорбатора.
3. Поставете пластмасовата част на лампата в същия слот и захванете пластмасовите фиксатори. Пластмасовата част влиза на място с щракване.

## 6 Отстраняване на неизправности

### Уредът не работи.

- Предпизателят на захранването е дефектен или е изключил. >>> *Проверете предпизателите в предпизателната кутия. Ако е необходимо, ги сменете или ги пренастройте.*
- Продуктът не е включен в захранването. >>> *Проверете щепсела.*
- Бутонът за скорост не трябва да бъде установен. >>> *Натиснете бутона на желаната скорост.*
- Няма захранване. >>> *Проверете дали има ток. Проверете предпизателите в предпизателната кутия. Ако е необходимо ги сменете или ги пренастройте.*

### Лампата на абсорбатора не работи.

- Лампата на абсорбатора е дефектна. >>> *Сменете лампата на абсорбатора.*
- Няма захранване. >>> *Проверете дали има ток. Проверете предпизателите в предпизателната кутия. Ако е необходимо, ги сменете или ги пренастройте.*



Ако не можете да отстраните проблема, въпреки че сте приложили дадените в настоящия раздел инструкции, се посъветвайте с упълномощен сервизен представител или дилъра, от който сте закупили продукта. Никога не правете опити да поправяте сами неизправни продукти.



