

EN

FR

DE

NL

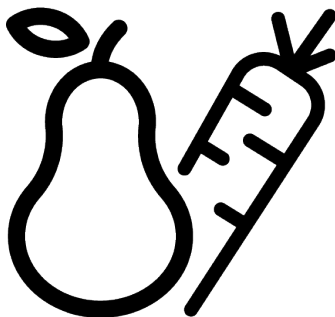
beko

Refrigerator / User Manual

Congélateur / Réfrigérateur / Manuel d'utilisation

Kühlschrank / Bedienungsanleitung

Koelkast / Gebruiker Handleiding



B7RCNE408HXBR

58 9998 0500/ EN/ FR/ DE/ NL/ AA/ 10/07/23 16:42
7282343101



Please read this manual first!

Dear Customer

Please read this manual before using the product.

Thank you for choosing this Beko product. We would like you to achieve the optimal efficiency from this high quality product which has been manufactured with state of the art technology. To do this, carefully read this manual and any other documentation provided before using the product and keep it as a reference.

Heed all information and warnings in the user manual. This way, you will protect yourself and your product against the dangers that may occur.

Keep the user manual. Include this manual with the unit if you hand it over to someone else.

The following symbols are used in the user manual:



Hazard that may result in death or injury.



Important information or useful tips on operation.




Read the user manual.



Combustible material, warning against fire hazard.

NOTICE A hazard that may cause material damage to the product or its surroundings

  SUPPLIER'S NAME  MODEL IDENTIFIER → (*) 	<p>The model information as stored in the product data base can be reached by entering following website and searching for your model identifier (*) found on energy label.</p> <p>https://eprel.ec.europa.eu/</p>
--	--

1	Safety Instructions.....	4
1.1	Intention of Use	4
1.2	Safety of Children, Vulnerable Persons and Pets	4
1.3	Electrical Safety.....	5
1.4	Handling Safety	6
1.5	Installation Safety.....	6
1.6	Operational Safety.....	8
1.7	Food Storage Safety.....	10
1.8	Maintenance and Cleaning Safety	11
1.9	Disposal of the Old Product.....	12
2	Environmental Instructions.....	12
2.1	Compliance with the WEEE Dir- ective and Disposing of the Waste Product	12
3	Your Refrigerator	13
4	Installation	13
4.1	Right Place For Installation.....	13
4.2	Electrical Connection	14
4.3	Attaching the Plastic Wedges	14
4.4	Adjusting the Legs.....	14
4.5	Hot Surface Warning.....	15
5	Preparation.....	15
5.1	What To Do For Energy Saving	15
5.2	First Use	16
5.3	Climate Class and Definitions	16
6	Operating the Product.....	16
7	Use of Your Appliance.....	17
7.1	Control Panel of the Product	17
7.2	Storing Food in the Cooler Com- partment.....	18
7.3	Crisper	20
7.4	Humidity Controlled Crisper	21
7.5	Crisper Technologies	21
7.6	Reversing the Door Opening Side.	21
7.7	Door Open Alert	21
7.8	Foldable Wine Rack.....	22
7.9	Replacing the Illumination Lamp..	22
7.10	AeroFlow	22
8	Maintenance and Cleaning	22
9	Troubleshooting.....	23

1 Safety Instructions

- This section includes the safety instructions necessary to prevent the risk of personal injury or material damage.
- Our company shall not be held responsible for damages that may occur if these instructions are not observed.



Always have installation and repair operations performed by manufacturer, authorized service or a person who will be described by importer company.



Use original spare parts and accessories only.



Do not repair or replace any component of the product unless it is clearly specified in the user manual.



Do not perform any modifications on the product.

1.1 Intention of Use

- This product is not suitable for commercial use and should not be used for a purpose other than its intended use.
- This product is intended for operating interiors, such as households or similar.

For example;

In the staff kitchens of the stores, offices and other working environments,

In farm houses,

In the units of hotels, motels or other resting facilities that are used by the customers,

In hostels, or similar environments,

In catering services and similar non-retail applications.

- This product shall not be used in open or enclosed external environments such as vessels, camper vans, balconies or terraces. Exposing the product to rain, snow, sunlight and wind may cause risk of fire.

1.2 Safety of Children, Vulnerable Persons and Pets



- This product may be used by children aged 8 years and older and persons with underdeveloped physical, sensory or mental capabilities or lack of experience and knowledge if they are being supervised or have been given instruction concerning use of the appliance in a safe way and the hazards involved.

- Children between 3 and 8 years are allowed to put and take out food into/from the cooler product.
- Electrical products are dangerous for children and pets. Children and pets must not play with, climb on, or enter the product.
- Cleaning and user maintenance should not be performed by children unless there is someone overseeing them.
- Keep the packaging materials away from children. Risk of injury and suffocation.

Before disposing of old products that shall not be used any more:

1. Unplug the power cord from the mains socket.
 2. Cut the power cable and remove it from the appliance together with the plug.
 3. Do not remove the racks and drawers from the product to prevent children from getting inside the appliance.
 4. Remove the doors.
 5. Store the product so that it shall not be tipped over.
 6. Do not allow children to play with the scrapped product.
- Do not dispose of the product by throwing it into fire. Risk of explosion.

- If there is a lock available on the product's door, keep the key out of children's reach.

1.3 Electrical Safety

- The product shall not be plugged into the outlet during installation, maintenance, cleaning, repair, and transportation operations.
- If the power cable is damaged, it shall only be replaced by authorized service to avoid any risks that may occur.
- Do not tuck the power cable under the product or to the rear of the product. Do not put heavy items on the power cable. The power cable should not be bent, crushed, and come into contact with any heat source.
- Do not use an extension cord, multi-plug or adaptor to operate your product.
- Portable multi-plugs or portable power supplies may overheat and cause fire. Thus, do not have a multi-plug, portable power sources behind or in the vicinity of the product.
- Do not plug the product's power cord in a loose or damaged power outlet. These types of connections may overheat and cause fire.

- The plug shall be easily accessible. If this is not possible, a mechanism that meets the electrical legislation and that disconnects all terminals from the mains (fuse, switch, main switch, etc.) shall be available on the electrical installation.
- Do not touch the plug with wet hands.
- When unplugging the appliance, don't hold the power cord, but the plug.

1.4 Handling Safety

- Make sure to unplug the appliance before carrying the product.
- This product is heavy, do not handle it by yourself. Injuries may occur if the product falls on you. Do not bump into places or drop the product while transporting it.
- Always close the doors and do not hold the product by its doors while transporting it.
- Be careful not to damage the cooling system and the pipes while handling the product. Do not operate the product if the pipes are damaged, and contact an authorized service.

1.5 Installation Safety

- Contact the Authorized Service for the product's installation. To prepare the product for use, see the information in the user manual and make sure the electric and water utilities are as required. If not, call a qualified electrician and plumber to arrange the utilities as necessary. Failure to do so may result in electric shock, fire, problems with the product, or injury.
- The product is designed for use in areas 2000 metres below sea level.
- Check for any damage on the product before installing it. Do not have the product installed if it is damaged.
- Always use personal protective equipment (gloves, etc.) during product installation, maintenance and repair. Risk of Injury!
- Place the product on a clean, level and hard surface and balance it with the adjustable legs (by rotating the front feet to the right or left). Otherwise, the refrigerator may tip over and cause injuries.
- The product shall be installed in a dry and ventilated environment. Do not keep carpets,

rugs or similar covers under the product. This may cause risk of fire as a result of inadequate ventilation!

- Do not block or cover ventilation holes. Otherwise, power consumption increases and your product may be damaged.
- When placing the product, make sure that the supply cable is not damaged or pinched.
- The product must not be connected to supply systems such as solar power supply. Otherwise, your product may be damaged due to sudden voltage changes!
- The more refrigerant a refrigerator contains, the bigger its installation room should be. In very small rooms, a flammable gas-air mixture may occur in case of a gas leak in the cooling system. At least 1 m³ of volume is required for each 8 grams of refrigerant. The amount of the refrigerant available in your product is specified in the Type Label.
- The installation place of the product shall not be exposed to direct sunlight and it shall not be in the vicinity of a heat source such as stoves, radiators, etc. If you cannot prevent installation of the product in the vicinity of a heat source, use a suitable insulation plate and make sure the minimum distance to the heat source is as specified below:
 - At least 30 cm away from heat sources such as stoves, ovens, heating units and heaters, etc.,
 - And at least 5 cm away from electrical ovens.
- Your product has the protection class of I.
- Plug the product in a grounded socket that conforms with the Voltage, Current and Frequency values specified in the type label. The socket must have a 10A – 16A fuse. Our firm will not assume responsibility for any damages due to usage without earthing and without power connection in compliance with local and national regulations.
- The product's power cable must be unplugged during installation. Otherwise, risk of electric shock and injury may occur!
- Do not plug the product's power cord in loose, dislocated, broken, dirty, oily power outlets which have a risk of water contact. These types of connections may cause overheating and fire.

- Place the power cable and hoses (if any) of the product so that they shall not cause a risk of tripping over.
- Penetration of humidity and liquid to live parts or to the power cord may cause short circuit. Thus, do not use the product in humid environments or in areas where water may splash (e.g. garage, laundry room, etc.) If the refrigerator is wet by water, unplug it and contact an authorized service.
- Do not ever connect your refrigerator to power saving devices. These systems are harmful for the product.
- There is a risk of contact with electrical parts when removing the electronic board cover and the compressor rear cover (if fitted). Do not remove the electronic board cover and the compressor rear cover (if fitted). There is a risk of electrocution!
- In case of a failure of the product, unplug it and do not operate until it is repaired by the authorized service. There is a risk of electric shock!
- Do not place a source of flame (e.g. candles, cigarettes, etc.) on the product or in the vicinity of it.
- Do not get on the product. Risk of falling and injury!
- Do not cause damage to the pipes of the cooling system using sharp and piercing tools. The refrigerant that sprays out in case of puncturing the gas pipes, pipe extensions or upper surface coatings may cause irritation of skin and injury to the eyes.
- Do not place and operate electrical appliances inside the refrigerator/freezer unless it is advised by the manufacturer.
- Do not jam any parts of your hands or your body to the moving parts inside the product. Be careful to prevent jamming of your fingers between the refrigerator and its door. Be careful while opening or closing the door if there are children around.

1.6 Operational Safety

- Do not ever use chemical solvents on the product. These materials contain an explosion risk.

- Do not put ice cream, ice cubes or frozen food to your mouth as soon as you take them out of the freezer. Risk of frostbite!
- Do not touch the inner walls, metal parts of the freezer or food kept inside the freezer with wet hands. Risk of frostbite!
- Do not place soda cans or cans and bottles that contain fluids that may be frozen to the freezer compartment. Cans or bottles may explode. Risk of injury and material damage!
- Do not use or place materials sensitive against temperature such as flammable sprays, flammable objects, dry ice or other chemical agents in the vicinity of the refrigerator. Risk of fire and explosion!
- Do not store explosive materials such as aerosol cans with flammable materials inside the product.
- Do not place cans containing fluids over the product an open state. Splashing of water on an electrical part may cause an electric shock or a fire.
- This product is not intended for storage and cooling of medicines, blood plasma, laboratory preparations or similar materials and products that are subject to the Medical Products Directive.
- If the product is used against its intended purpose, it may cause damage to or deterioration of the products kept inside.
- If your refrigerator is equipped with blue light, do not look at this light with optical devices. Do not stare directly at UV LED light for a long time. Ultraviolet rays may cause eye strain.
- Do not fill the product with more contents than its capacity. Injuries or damages may occur if the contents of the refrigerator fall when the door is opened. Similar problems may also occur when an object is placed over the product.
- Ensure that you have removed any ice or water that may have fallen to the floor to prevent injuries.
- Change the locations of the racks/bottle racks on the door of your refrigerator only when the racks are empty. Danger of injury!
- Do not place objects that may fall/tip over on the product. These objects may fall while opening or closing the door and cause injuries and/or material damages.

- Do not hit or exert excessive pressure on glass surfaces. Broken glass may cause injuries and/or material damages.
- The cooling system in your product contains R600a refrigerant. The refrigerant type used in the product is specified in the type label. This gas is flammable. Therefore, be careful not to damage the cooling system and the pipes while operating the product. In case of damage to the pipes;
 1. Do not touch the product or the power cable.
 2. Keep the product away from potential sources of fire that may cause the product to catch fire.
 3. Ventilate the area where the product is placed. Do not use a fan.
 4. Contact Authorized Service.

If the product is damaged and you observe gas leak, please stay away from the gas. Gas may cause frostbite if it contacts your skin.

Before disposing of old products that shall not be used any more:

1. Unplug the power cord from the mains socket.
2. Cut the power cable and remove it from the appliance together with the plug.

3. Do not remove the racks and drawers from the product to prevent children from getting inside the appliance.
 4. Remove the doors.
 5. Store the product so that it shall not be tipped over.
 6. Do not allow children to play with the scrapped product.
- Do not dispose of the product by throwing it into fire. Risk of explosion.
 - If there is a lock available on the product's door, keep the key out of children's reach.

1.7 Food Storage Safety

Please pay attention to the following warnings to avoid food spoilage:

- Leaving the doors open for a long time may cause the temperature inside the product to rise.
- Regularly clean the accessible drainage systems in contact with food.
- Clean the water tanks that have not been used for 48 hours and mains-fed water systems that have not been used for more than 5 days.
- Store raw meat and fish products in appropriate compartments within the product.

Thus, it does not drip on or come into contact with other foods.

- Two-star freezer compartments are used for storing pre-filled foods, making and storing ice and ice cream.
- One, two and three-star compartments are not appropriate for freezing fresh food.
- If the cooling product has been left empty for a long time, turn off the product, defrost, clean, and dry the product in order to protect the housing of the product.

1.8 Maintenance and Cleaning Safety

- Unplug the refrigerator before cleaning it or starting to perform maintenance.
- Do not pull by the door handle if you shall move the product for cleaning purposes. Handle may cause injuries if it is pulled too hard.
- Do not put your hands etc. under the refrigerator. Jamming may occur or any sharp edge may cause personal injuries.
- Do not clean the product by spraying or pouring water on the product and inside the product. Risk of electric shock and fire.
- When cleaning the product, do not use sharp and abrasive tools or household cleaning agents, detergent, gas, gasoline, thinner, alcohol, varnish, and similar substances. Use only cleaning and maintenance agents that are not harmful for food inside the product.
- Do not ever use steam or steamed cleaning materials for cleaning the product and thawing the ice inside it. Steam contacts the live areas in your refrigerator and causes short circuit or electric shock.
- Do not use any mechanical tools or any other tools than the recommendations of the manufacturer to speed up the defrost operation.
- Take care to keep water away from the ventilation holes, electronic circuits or lighting of the product.
- Use a clean, dry cloth to wipe the dust or foreign material on the tips of the plugs. Do not use a wet or damp piece of cloth to clean the plug. Otherwise, risk of fire or electric shock may occur.



1.9 Disposal of the Old Product

When disposing of your old product follow the instructions below:

- To prevent children from accidentally locking themselves into the product, if there is door lock, make it deactivated.
- Splash of coolant is harmful to the eyes. Do not damage any part of the cooling system while disposing of the product.

2 Environmental Instructions

2.1 Compliance with the WEEE Directive and Disposing of the Waste Product



This product complies with EU WEEE Directive (2012/19/EU). This product bears a classification symbol for waste electrical and electronic equipment (WEEE).

This symbol indicates that this product shall not be disposed with other household wastes at the end of its service life. Used device must be returned to official collection point for recycling of electrical and electronic devices. To find these collection systems please contact to your local authorities or retailer where the product was purchased. Each household performs important role in recovering and recycling of old appliance. Appropriate disposal of used

- It may be fatal if the compressor oil is swallowed or if it penetrates the respiratory tract.
- Cooling system of your product includes R600a gas as specified in the type label. This gas is flammable. Do not dispose of the product by throwing it into fire. Risk of explosion!

appliance helps prevent potential negative consequences for the environment and human health.

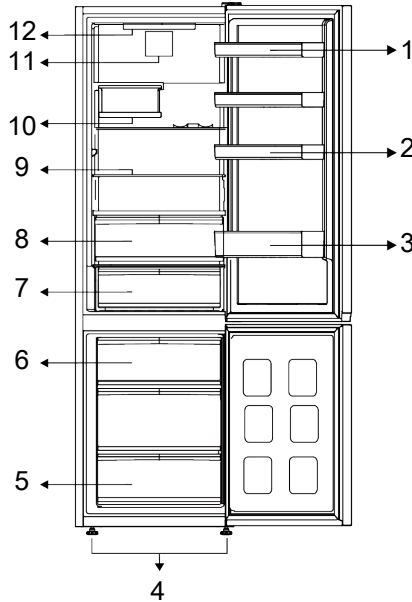
Compliance with RoHS Directive

The product you have purchased complies with EU RoHS Directive (2011/65/EU). It does not contain harmful and prohibited materials specified in the Directive.



Package information


Packaging materials of the product are manufactured from recyclable materials in accordance with our National Environment Regulations. Do not dispose of the packaging materials together with the domestic or other wastes. Take them to the packaging material collection points designated by the local authorities.



- 1 * Adjustable Door Shelves
- 2 * Egg Holders
- 3 * Bottle Shelf
- 4 * Adjustable Front Legs
- 5 * Freezer Compartment
- 6 * Ice Container
- 7 * Cold Storage Drawer
- 8 * Cold Storage Drawer
- 9 * Adjustable Shelves
- 10 * Foldable Wine Bin
- 11 * Fan
- 12 * Illumination Lamp

***Optional:** Figures in this user manual are schematic and may not exactly match your product. If your product does not comprise the relevant parts, the information pertains to other models.


4 Installation

 Read the "Safety Instructions" section first!

tric and water utilities are as required. If not, call an electrician and plumber to arrange the utilities as necessary.

4.1 Right Place For Installation

Contact the Authorized Service for the product's installation. To prepare the product for installation, see the information in the user manual and make sure the elec-

 **WARNING:** The manufacturer assumes no responsibility for any damages caused by the work carried out by unauthorized persons.

**WARNING:**

The product's power cable must be unplugged during installation. Failure to do so may result in death or serious injuries!

**WARNING:**

If the door span is too narrow for the product to pass, remove the door and turn the product sideways; if this does not work, contact the authorized service.

- Place the product on a flat surface to avoid vibration.
- Place the product at least 30 cm away from the heater, stove and similar sources of heat and at least 5 cm away from electric ovens.
- Do not expose the product to direct sunlight or keep it in damp environments.
- Your product requires adequate air circulation to function efficiently. If the product will be placed in an alcove, remember to leave at least 5 cm clearance between the product and the ceiling, rear wall and the side walls.
- Check if the rear wall clearance protection component is present at its location (if provided with the product).
- If the component is not available, or if it is lost or fallen, position the product so that at least 5 cm clearance shall be left between the rear surface of the product and the wall of the room. The clearance at the rear is important for efficient operation of the product.

4.2 Electrical Connection



Do not use extension or multi sockets in power connection.



Damaged power cable must be replaced by Authorized Service.



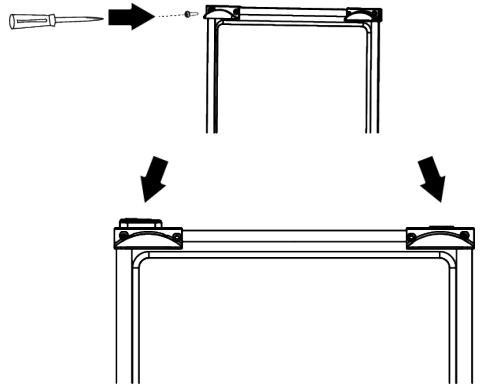
When placing two coolers in adjacent position, leave at least 4 cm distance between the two units.

- Our firm will not assume responsibility for any damages due to usage without earthing and power connection in compliance with national regulations.
- The power cable plug must be easily accessible after installation.
- Do not use multi-group plug with or without extension cable between the wall socket and the refrigerator.

4.3 Attaching the Plastic Wedges

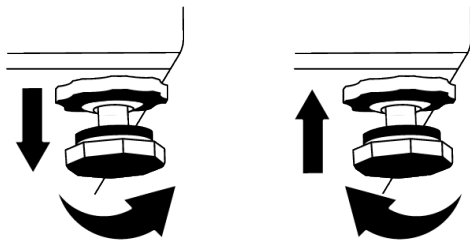
Use the plastic wedges provided with the product to maintain sufficient space for air circulation between the product and the wall.

1. To attach the wedges, remove the screws on the product and use the screws provided with the wedges.
2. Attach 2 plastic wedges on the ventilation cover as shown in the figure.



4.4 Adjusting the Legs

If the product is not in balanced position, adjust the front adjustable legs by rotating them to right or left.



4.5 Hot Surface Warning

The side walls of your product are equipped with cooler pipes to enhance the cooling system. High pressure fluid may flow through these surfaces, and cause hot surfaces on the side walls. This is normal and it does not require servicing. Be careful when you contact these areas.

5 Preparation



Read the "Safety Instructions" section first!

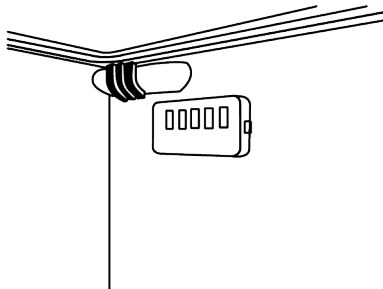
5.1 What To Do For Energy Saving



Connecting the product to electronic energy-saving systems is harmful, as it may damage the product.

- This refrigerating appliance is not intended to be used as a built in appliance.
- Do not keep the refrigerator doors open for long periods.
- Do not place hot food or beverages into the refrigerator.
- Do not overfill the refrigerator; blocking the internal air flow will reduce cooling capacity.
- Since hot and humid air will not directly penetrate into your product when the doors are not opened, your product will optimize itself in conditions sufficient to protect your food. Under these circumstances, functions and components such as compressor, fan, heater, defrost, lighting, display and so on will operate according to the needs by consuming minimum energy.
- In case that multiple options are present, glass shelves must be placed so that the air outlets at the rear wall are not blocked and preferably, in a way that air outlets remain below the glass shelf. This combination may help improving air distribution and energy efficiency.
- Using the below drawer when storing is strongly recommended.

- Depending on the product's features; defrosting frozen foods in the cooler compartment will ensure energy saving and preserve food quality.
- In order to load the maximum quantity of food into the freezer compartment of your refrigerator, the upper drawers may be taken out and the food should be placed onto the wire/glass shelves.
- Make sure the foods are not in contact with the cooler compartment temperature sensor described below.



- If they are in contact with the sensor, energy consumption of the appliance might increase
- Food shall be stored using the drawers in the cooler compartment in order to ensure energy saving and protect food in better conditions.
- Food packages shall not be in direct contact with the temperature sensor located in the freezer compartment.

5.2 First Use

Before using your refrigerator, make sure the necessary preparations are made in line with the instructions in "Safety and Environmental Instructions" and "Installation" sections.

- Keep the product running without placing any food inside for 6 hours and do not open the door, unless absolutely necessary.
- The temperature change caused by opening and closing of the door while using the product may normally lead to condensation on door/body shelves and glassware placed in the product.



A sound will be heard when the compressor is engaged. It is normal for the product to make noise even if the compressor is not running, as fluid and gas may be compressed in the cooling system.



It is normal for the front edges of the refrigerator to be warm. These areas are designed to warm up in order to prevent condensation.



For some models, indicator panel turns off automatically 1 minute after the door closes. It will be re-activated when the door is opened or any button is pressed.

5.3 Climate Class and Definitions

Please refer to the Climate Class on the rating plate of your device. One of the following information is applicable to your device according to the Climate Class.

- **SN:** Long Term Temperate Climate: This cooling device is designed for use at ambient temperatures between 10 °C and 32 °C.
- **N:** Temperate Climate: This cooling device is designed for use at ambient temperatures between 16°C and 32 °C.
- **ST:** Subtropical Climate: This cooling device is designed for use at ambient temperatures between 16°C and 38°C.
- **T:** Tropical Climate: This cooling device is designed for use at ambient temperatures between 16°C and 43°C.

6 Operating the Product



Read the "Safety Instructions" section first!

- Do not use any mechanical tools or any other tools than the recommendations of the manufacturer to speed up the defrost operation.
- Do not use parts of your refrigerator such as the door or drawers as a support or a step. This may cause the product to trip over or its components to be damaged.
- The product shall be used for storing food only.

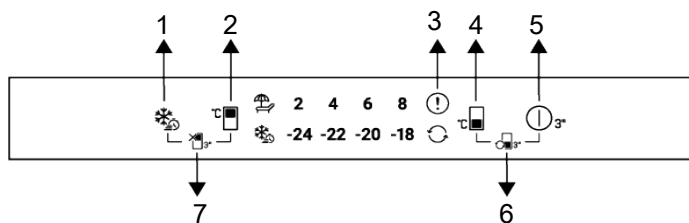
- Turn off the water valve if you will be away from home (e.g. at vacation) and you will not be using the Icematic or the water dispenser for a long period of time. Otherwise, water leaks may occur.

Unplugging the Product

- If you are not going to use the product for a long time, unplug the product from the socket.
- Remove the food to prevent odours,
- Wait for the ice to melt, clean the interior and let it dry, leave the doors open to avoid damaging the inner body plastics.

7 Use of Your Appliance

7.1 Control Panel of the Product



- | | |
|--|--|
| <p>1 Quick Freezing Key</p> <p>3 Error Status Indicator</p> <p>5 Product Switch Off Button</p> <p>7 Cooler Compartment Off (Vacation) Function Key</p> | <p>2 Cooler Compartment Temperature Setting Key</p> <p>4 Freezer Compartment Temperature Setting Key</p> <p>6 Compartment Conversion Key</p> |
|--|--|



Read the "Safety Instructions" section first.

Auditory and visual functions on the indicator panel will assist you in using the refrigerator.

***Optional:** Shown functions are optional, there may be differences of shape and location in functions found on your appliance's indicator panel.

1. Quick Freezing Key

When the quick freezing key is pressed the quick freezing symbol shall be illuminated and the quick freezing function shall be activated. The freezer compartment temperature is set to $-27\text{ }^{\circ}\text{C}$. Press the key again to cancel the function. The quick freezing function shall be automatically cancelled after a while. To freeze a large amount of fresh food, press the quick freezing key before placing the food in the freezer compartment.

2. Cooler Compartment Temperature

Setting Key

Allows setting of temperature for cooler compartment. Pressing the key will enable the cooler compartment temperature

Can be set to $8.6, 4.2\text{ }^{\circ}\text{C}$.

3. Error Condition Indicator

This indicator is enabled when the refrigerator is not cooling sufficiently or when a sensor error occurs. The temperature indicators of the freezer and the refrigerator flash in certain combinations. This informs the service about the error that has occurred. Exclamation mark may be displayed when you load warm food to the freezer compartment or keep the door open for a long period of time. This is not a fault, this warning will be removed when the food is cooled down or when any key is pressed.

4. Freezer Compartment Temperature

Setting Key

Temperature setting is made for freezer compartment. The freezer compartment temperature can be set to $-18, -20, -22, -24\text{ }^{\circ}\text{C}$ by pressing the button.

5. Product Switch Off Button

When this button is pressed for 3 seconds, the device switches to the off state. In this state, the refrigerator does not perform

cooling; when the button is pressed again for 3 seconds, the refrigerator starts its normal operation.

6. Compartment Conversion Key

By pressing the compartment conversion button for 3 seconds, the freezer compartment can be set as a refrigerator compartment, closed compartment or freezer compartment.

When operating as a freezer, the selected temperature value of the freezer compartment is lit and the conversion symbol is off.

When operating as a refrigerator compartment, all lights for the temperature values of the freezer compartment are switched off and the conversion symbol is lit. The compartment operates as cooler.

When the freezer compartment is switched off, all lights for the temperature values of the freezer compartment are switched off and the conversion symbol is off. For this selection, no food exists at the compartment.

7. Cooler Compartment Off (Vacation)

Function Key 3"

Press the key for 3 seconds to activate the vacation function. Vacation mode is activated and the vacation symbol is illuminated. All icons on the cooler compartment temperature indicator turn off and the cooler compartment does not perform active cooling. When this function is activated, you are advised against storing food in the refrigerating compartment. The other compartments continue to cool according to their set temperature. Press the key for 3 seconds again to cancel this function.

7.2 Storing Food in the Cooler Compartment

Storing Food in the Cooler Compartment

- Compartment temperatures rise prominently if compartment door is opened and closed frequently and kept open for a long time, this can reduce the life span of the food and cause the food to spoil.
- In order not to cause odour and taste changes, the food should be stored in the closed containers.
- Do not store too much food in your refrigerator. To achieve a better and homogeneous cooling, place the food separately in a way that cold air can wander through them.
- Provide air flow by leaving a space between the food and internal wall. If you lean the food against the rear wall, the food may freeze.
- Bring cooked hot meals to the room temperature before placing them in the refrigerator. Then, you can place the tepid meal in the lower shelves of your refrigerator. Do not place the tepid meals close to the foods which may easily spoil.
- Defrost your frozen food in the fresh food compartment. Thereby, you can cool fresh food compartment by using frozen food and save energy.
- Storing unripe tropical fruits (mango, melon varieties, papaya, banana, pineapple) in the refrigerator may speed up the ripening process. This is not recommended because it will cause shorter storage time.
- You should store onions, garlicks, gingers and other root vegetables in dark and cold room conditions, not in the refrigerator.
- If you notice that a food has spoiled in the refrigerator, throw away that food and clean the accessories which have come into contact with it.
- In order to cool the meals like soups and stews, which are cooked in the large pots, quickly, you can put them in the refrigerator by separating them into their own shallow containers.
- Do not place unpackaged food close to eggs.

- Keep the fruits and vegetables separately and store each variety together (for example; apples with apples, carrots with carrots).
- Take green vegetables out of the plastic bag and place them in the refrigerator after wrapping them in a paper towel or drying cloth. If you wash this type of food before placing them in the refrigerator, remember to dry them.
- You can both create a damp environment and provide an air flow by keeping fruits and vegetables, which are prone to drying, in the perforated or unsealed plastic bags.
- Except the cases where extreme circumstances are available in the environment, if your product (on the recommended set values table) is set to the specified set values, the food keep their freshness for a longer time both in the fresh product compartment and freezer compartment.

Store Foods In The Different Places According To Their Properties:	
Food	Location
Egg	Door Shelf
Dairy products (butter, cheese)	If available, zero degree (for breakfast food) compartment
Fruits, vegetables and greenery	Fruit-vegetable compartment, crisper or EverFresh+ compartment (if available)
Fresh meat, poultry, fish, sausage etc. Cooked foods	If available, zero degree (for breakfast food) compartment
Ready to serve foods, packaged products, canned foods and pickles	Top shelves or door shelf
Beverages, bottles, spices and snacks	Door Shelf

Storing Food In The Freezer Compartment

- You can activate Quick Freezing function 4-6 hours before freezing function and perform a faster cooling.
- Bring hot meals to the room temperature before placing them in the freezer compartment.
- Foods to be frozen must be divided into portions according to a size to be consumed, and frozen in separate packages.
- It is recommended to pack the foods before placing them in the freezer.
- In order to prevent expiration of storage time, write the freezing date, time and name of the product on the package according to the storage times of different foods.
- Consume the foods you have defrosted quickly. Defrosted foods cannot be frozen again unless they are cooked. It is not safe to consume the refrozen fresh foods without cooking after they are defrosted.

- As you freeze fresh foods, do not bring them in contact with already frozen foods. Otherwise, frozen foods will be defrosted.

Storing The Foods, Which Are Sold Frozen

- Always follow the instructions of the producer in relation to the time during which you are required to store your foods. Do not exceed the time specified in these instructions!
- In order to protect the quality of the food, keep the time interval between purchasing transaction and storing as short as possible.
- Buy frozen food which are stored at -18°C or lower temperatures.
- Avoid buying foods whose packages are covered with ice etc. This means that the product could be partially defrosted and refrozen. Temperature impacts the quality of the food.

- Do not exceed the storing time recommended by the food producer. Remove only the food as much as you need from the freezer.
- Except the cases where extreme circumstances are available in the environment, if your product (on the recommended set

- values table) is set to the specified set values, the food keep their freshness for a longer time both in the fresh product compartment and freezer compartment.
- If fresh food compartment is set to a lower temperature, fresh fruits and vegetables may be partially frozen.

Freezer Compartment Setting	Cooler Compartment Setting	Remarks
-22°C	4°C	This is the default, recommended setting. This setting is recommended if ambient temperature is below 30°C.
-22 or -24 °C	4°C	These settings are recommended for ambient temperatures exceeding 30°C.
Quick Freeze	4°C	Use when you want to freeze your food in a short time. When the process ends, the product's settings will return to previous position.
-18°C or colder	2°C	Use these settings if you believe the cooler compartment is not cold enough due to ambient temperature or frequently opening the door.

Freezer Details

As per the IEC 62552 standards, the freezer must have the capacity to freeze 4,5 kg of food items at -18°C or lower temperatures at 25°C room temperature in 24 hours for each 100 litres of freezer compartment volume.

Food products can only be preserved for extended periods at or below temperature of -18 °C.

You can keep the foods fresh for months (in freezer at or below temperatures of -18 °C).

The food products to be frozen must not contact the already-frozen food inside to avoid partial defrosting.

Boil the vegetables and filter the water to extend the frozen storage time. Place the food in air-tight packages after filtering and place in the freezer. Bananas, tomatoes, lettuce, celery, boiled eggs, potatoes and similar food items should not be frozen. In case these foods are frozen, only nutri-

tional values and eating qualities will be negatively affected. A rotting that would threaten human health is not in question.

Placing The Food

Freezer compartment shelves: Different frozen foods like meat, fish, ice cream, vegetables etc.

Cooler compartment shelves: Food items inside pots, capped plate and capped cases, eggs (in closed case)

Cooler compartment door shelves: Small and packaged food or beverages

Crisper: Vegetables and fruits

Fresh food compartment: Delicatessen (breakfast food, meat products to be consumed in short time)

7.3 Crisper

The refrigerator's crisper is designed to keep vegetables fresh by preserving their humidity. For this purpose, the overall cold air circulation is intensified in the crisper. Keep fruits and vegetables in this compartment. Keep the green-leaved vegetables and fruits separately to prolong their life.

7.4 Humidity Controlled Crisper

Everfresh

With the humidity controlled crisper feature, the humidity of vegetables and fruits is kept under control and the food is kept fresh for a longer period of time.

We recommend that you place leafy vegetables such as lettuce, spinach and similar vegetables that are sensitive to moisture loss in the crisper, not upright on their roots, but as horizontally as possible.

When placing the vegetables, place heavy and hard vegetables at the bottom and light and soft ones on the top, taking into account the specific weights of vegetables.

Never leave vegetables in plastic bags in the crisper. Leaving them in plastic bags causes vegetables to rot in a short time.

In situations where contact with other vegetables is not preferred, use packaging materials such as paper that has a certain level of porosity in terms of hygiene.

Do not put fruits that have a high ethylene gas production such as pear, apricot, peach and particularly apple in the same crisper with other vegetables and fruits. The ethylene gas coming out of these fruits might cause other vegetables and fruits to mature faster and rot in a shorter period of time.

7.5 Crisper Technologies

Blue Light

Fruits and vegetables stored in the crispers that are illuminated with a blue light continue their photosynthesis by means of the wavelength effect of blue light and thus preserve their vitamin content.

HarvestFresh

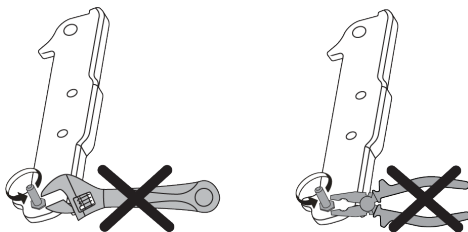
Fruits and vegetables stored in crispers illuminated with the HarvestFresh technology preserve their vitamins for a longer time thanks to the blue, green, red lights and dark cycles, which simulate a day cycle.

When the door of your refrigerator is opened during the dark period of the HarvestFresh technology, your refrigerator shall sense this automatically and illumin-

ate the crisper with one of the blue, green or red lights respectively for your convenience. After you have closed the door of the refrigerator, the dark period will continue, representing the night time in a day cycle.

7.6 Reversing the Door Opening Side

The door opening side of your refrigerator can be reversed according to the place you put it. When you need this, you should definitely call the nearest Authorized Service.



7.7 Door Open Alert

The door open alert system of your refrigerator may differ depending on the model.

Version 1;


If the door of the product remains open for a certain time (between 60 s and 120 s), an audio warning signal sounds; depending on the product model, a visual warning signal (light flash) can also be displayed. If you close the door of the device or press a button on the screen of the device, if any, the warning sound will stop.

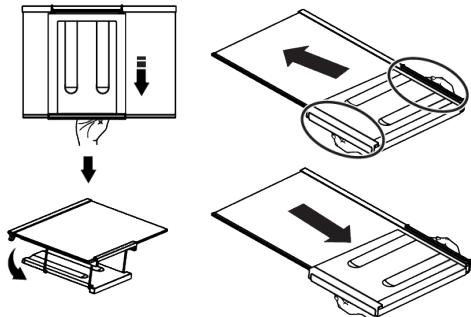
Version 2;

If the door of the device remains open for a certain period of time (between 60 s and 120 s), the door open alert is sounded. The door open alert is sounded gradually. First, an audible warning starts to sound. After 4 minutes, if the door is still not closed, a visual warning (lighting flash) is activated. The door open alert will be delayed for a certain period of time (between 60 s and 120 s) when any key on the product screen, if any, is pressed. Then the process will start again. When the device door is closed, the door open alert will be cancelled.

7.8 Foldable Wine Rack

It allows the user to store wine bottles if necessary. To use the rack section, grasp the plastic part and gently pull it down. You can now use the foldable wine rack.

 It is recommended to store a maximum of 2 wine bottles on the foldable wine rack.




To group the wine rack, first remove the glass shelf from the refrigerator. Place it on the glass shelf by pushing the plastic part through the front and back grooves as shown in the picture. The product will be ready to use with the foldable wine rack.

To remove the foldable wine rack, first remove the glass shelf from the refrigerator. Then grab the plastic part and pull it in any direction. You can now use the product without a foldable wine rack when needed.

8 Maintenance and Cleaning

 **WARNING:** Read the "Safety Instructions" section first.

 **WARNING:** Unplug the refrigerator before cleaning it.

- Do not use sharp or abrasive tools to clean the product. Do not use materials such as household cleaning agents, soap, detergents, gas, gasoline, thinner, alcohol, wax, etc.

7.9 Replacing the Illumination Lamp

Call the Authorized Service when the Bulb/LED used for lighting in your refrigerator will be replaced.

Lamp(s) used in this appliance cannot be used for house lighting. Intended use of this lamp is to help the user place food into the refrigerator / freezer safely and comfortably.

7.10 AeroFlow

It is an air distribution system that provides homogeneous temperature distribution. With the air circulation, the homogeneous temperature distribution is ensured in the fresh food storage compartment, and the temperature fluctuations are kept at low levels. No direct air blowing over the food is realized and this helps to reduce moisture loss. It preserves the freshness of the food stored in the fresh food compartment of the refrigerator. In this way, your food is stored at more stable temperatures and the contact with air is reduced. The drying and shrinking of foods by losing moisture is prevented and freshness is provided for a longer time.

- The dust shall be removed from the ventilation grill on the rear of the product at least once a year (without opening the cover). Clean the product with a dry cloth.
- Take care to keep water away from the lamp's cover and other electrical parts.
- Clean the door with a damp cloth. Remove all contents to remove the door and body racks. Remove the door racks by lifting them upwards. Clean and dry the shelves, then attach back in place by sliding from above.

- Do not use chlorinated water or cleaning products on the exterior surface and chrome-coated parts of the product. Chlorine will cause rust on such metallic surfaces.
- Do not use sharp and abrasive tools, soap, house cleaning materials, detergents, gas, gasoline, varnish and similar substances to prevent deformation of the plastic part and removal of prints on the part. Use warm water and a soft cloth for cleaning, and then dry it.
- On the products without a No-Frost feature, water droplets and icing up to a thickness of a finger may occur on the rear wall of the freezer compartment. Do not clean, and never apply oils or similar materials.
- Use a mildly dampened micro-fibre cloth to clean the external surface of the product. Sponges and other types of cleaning clothes may cause scratches.
- To clean all removable components during the cleaning of the interior surface of the product, wash these components with a mild solution consisting of soap, water and carbonate. Wash and dry thoroughly. Prevent contact of water with illumination components and the control panel.

**CAUTION:**

Do not use vinegar, rubbing alcohol or other alcohol based cleaning agents on any interior surface.

Stainless Steel External Surfaces

Use a non-abrasive stainless steel cleaning agent and apply it with a soft lint-free cloth. To polish, gently wipe the surface with a micro-fibre cloth dampened with water and use dry polishing chamois. Always follow the veins of the stainless steel.

Preventing Odours

The product is manufactured free of any odorous materials. However, keeping the food in inappropriate sections and improper cleaning of internal surfaces may lead to odours.

- To avoid this, clean the inside with carbonated water every 15 days.
- Keep the foods in sealed holders, as micro-organisms arising from foods kept in unsealed containers will cause bad odour.
- Do not keep expired and spoilt foods in the refrigerator.

Protecting Plastic Surfaces

Oil spilled on plastic surfaces may damage the surface and must be cleaned immediately with warm water.

9 Troubleshooting

Check this list before contacting the service. Doing so will save you time and money. This list includes frequent complaints that are not related to faulty workmanship or materials. Certain features mentioned herein may not apply to your product.

The refrigerator is not working.

- The power plug is not fully settled. >>> Plug it in to settle completely into the socket.
- The fuse connected to the socket powering the product or the main fuse is blown. >>> Check the fuse.

Condensation on the side wall of the cooler compartment (MULTI ZONE, COOL CONTROL and FLEXI ZONE).

- The door is opened too frequently. >>> Take care not to open the product's door too frequently.
- The environment is too humid. >>> Do not install the product in humid environments.
- Foods containing liquids are kept in unsealed holders. >>> Keep the foods containing liquids in sealed holders.
- The product's door is left open. >>> Do not keep the product's door open for long periods.

- The thermostat is set to a very cool temperature. >>> Set the thermostat to an appropriate temperature.

Compressor is not working.

- In case of sudden power failure or pulling the power plug off and putting back on, the gas pressure in the product's cooling system is not balanced, which triggers the compressor thermic safeguard. The product will restart after approximately 6 minutes. If the product does not restart after this period, contact the service.
- Defrosting is active. >>> This is normal for a fully-automatic defrosting product. The defrosting is carried out periodically.
- The product is not plugged in. >>> Make sure the power cord is plugged in.
- The temperature setting is incorrect. >>> Select the appropriate temperature setting.
- The power is out. >>> The product will continue to operate normally once the power is restored.

The refrigerator's operating noise is increasing while in use.

- The product's operating performance may vary depending on the ambient temperature variations. This is normal and not a malfunction.

The refrigerator runs too often or for too long.

- The new product may be larger than the previous one. Larger products will run for longer periods.
- The room temperature may be high. >>> The product will normally run for long periods in higher room temperature.
- The product may have been recently plugged in or a new food item is placed inside. >>> The product will take longer to reach the set temperature when recently plugged in or a new food item is placed inside. This is normal.
- Large quantities of hot food may have been recently placed into the product. >>> Do not place hot food into the product.

- The doors were opened frequently or kept open for long periods. >>> The warm air moving inside will cause the product to run longer. Do not open the doors too frequently.
- The freezer or cooler door may be ajar. >>> Check that the doors are fully closed.
- The product may be set to a temperature that is too low. >>> Set the temperature to a higher degree and wait for the product to reach the adjusted temperature.
- The cooler or freezer door washer may be dirty, worn out, broken or not properly settled. >>> Clean or replace the gasket. Damaged / torn door washer will cause the product to run for longer periods to preserve the current temperature.

The freezer temperature is very low, but the cooler temperature is adequate.

- The freezer compartment temperature is set to a very low degree. >>> Set the freezer compartment temperature to a higher degree and check again.

The cooler temperature is very low, but the freezer temperature is adequate.

- The cooler compartment temperature is set to a very low degree. >>> Set the cooler compartment temperature to a higher degree and check again.

The food items kept in cooler compartment drawers are frozen.

- The cooler compartment temperature is set to a very low degree. >>> Set the cooler compartment temperature to a higher degree and check again.

The temperature in the cooler or the freezer is too high.

- The cooler compartment temperature is set to a very high degree. >>> Temperature setting of the cooler compartment has an effect on the temperature in the freezer compartment. Wait until the temperature of relevant parts reach the sufficient level by changing the temperature of cooler or freezer compartments.

- The doors were opened frequently or kept open for long periods. >>> Do not open the doors too frequently.
- The door may be ajar. >>> Fully close the door.
- The product may have been recently plugged in or a new food item is placed inside. >>> This is normal. The product will take longer to reach the set temperature when recently plugged in or a new food item is placed inside.
- Large quantities of hot food may have been recently placed into the product. >>> Do not place hot food into the product.

Shaking or noise.

- The surface is not flat or durable >>> If the product is shaking when moved slowly, adjust the stands to balance the product. Also make sure the ground is sufficiently durable to bear the product.
- Any items placed on the product may cause noise. >>> Remove any items placed on the product.
- The product is making noise of liquid flowing, spraying etc.
- The product's operating principles involve liquid and gas flows. >>> This is normal and not a malfunction.

There is sound of wind blowing coming from the product.

- The product uses a fan for the cooling process. This is normal and not a malfunction.

There is condensation on the product's internal walls.

- Hot or humid weather will increase icing and condensation. This is normal and not a malfunction.
- The doors were opened frequently or kept open for long periods. >>> Do not open the doors too frequently; if open, close the door.
- The door may be ajar. >>> Fully close the door.

There is condensation on the product's exterior or between the doors.

- The ambient weather may be humid, this is quite normal in humid weather. >>> The condensation will dissipate when the humidity is reduced.

The interior smells bad.

- The product is not cleaned regularly. >>> Clean the interior regularly using sponge, warm water and carbonated water.
- Certain holders and packaging materials may cause odour. >>> Use holders and packaging materials without free of odour.
- The foods were placed in unsealed holders. >>> Keep the foods in sealed holders. Microorganisms may spread out of unsealed food items and cause bad odour.
- Remove any expired or spoiled foods from the product.

The door is not closing.

- Food packages may be blocking the door. >>> Relocate any items blocking the doors.
- The product is not standing in full upright position on the ground. >>> Adjust the stands to balance the product.
- The surface is not flat or durable >>> Make sure the surface is flat and sufficiently durable to bear the product.

The crisper is jammed.

- The food items may be in contact with the upper section of the drawer. >>> Reorganize the food items in the drawer.

Temperature on the product surface.

- High temperature may be observed between two doors, on the side panels and on the rear grill area while your product is operated. This is normal and it does not require servicing.

Fan continues to operate when the door is opened.

- Fan may continue to operate when the freezer door is open.



WARNING: If the problem persists after following the instructions in this section, contact your vendor or an Authorized Service. Do not try to repair the product. This is normal.

DISCLAIMER / WARNING

Some (simple) failures can be adequately handled by the end-user without any safety issue or unsafe use arising, provided that they are carried out within the limits and in accordance with the following instructions (see the "Self-Repair" section).

Therefore, unless otherwise authorized in the "Self-Repair" section below, repairs shall be addressed to registered professional repairers in order to avoid safety issues. A registered Professional repairer is a professional repairer that has been granted access to the instructions and spare parts list of this product by the manufacturer according to the methods described in legislative acts pursuant to Directive 2009/125/EC.

However, only the service agent (i.e. authorized professional repairers) that you can reach through the phone number given in the user manual/warranty card or through your authorized dealer may provide service under the guarantee terms. Therefore, please be advised that repairs by professional repairers (who are not authorized by) Beko shall void the guarantee.

Self-Repair

Self-repair can be done by the end-user with regard to the following spare parts: door handles, door hinges, trays, baskets and door gaskets (an updated list is also available support.beko.com as of 1st March 2021).

Moreover, to ensure product safety and to prevent risk of serious injury, the mentioned self-repair shall be done following the instructions in the user manual for selfrepair

or which are available in support.beko.com . For your safety, unplug the product before attempting any self-repair. Repair and repair attempts by end-users for parts not included in such list and/or not following the instructions in the user manuals for self-repair or which are available in support.beko.com, might give raise to safety issues not attributable to Beko, and will void the warranty of the product.

Therefore, it is highly recommended that end-users refrain from the attempt to carry out repairs falling outside the mentioned list of spare parts, contacting in such cases authorized professional repairers or registered professional repairers. On the contrary, such attempts by end-users may cause safety issues and damage the product and subsequently cause fire, flood, electrocution and serious personal injury to occur.

By way of example, but not limited to, the following repairs must be addressed to authorized professional repairers or registered professional repairers: compressor, cooling circuit, main board, inverter board, display board, etc.

The manufacturer/seller cannot be held liable in any case where end-users do not comply with the above.

The spare part availability of the refrigerator that you purchased is 10 years. During this period, original spare parts will be available to operate the refrigerator properly

The minimum duration of guarantee of the refrigerator that you purchased is 24 months.

This product is equipped with a lighting source of the "G" energy class.

The lighting source in this product shall only be replaced by Professional repairer.

See also

2 DISCLAIMER / WARNING [} 27]

Premièrement veuillez lire ce manuel !

Cher client, chère cliente,

Veuillez lire ce manuel avant d'utiliser l'appareil.

Nous vous remercions d'avoir choisi ce Bekoproduit. Nous aimerions que vous obteniez une efficacité optimale de ce produit de haute qualité qui a été fabriqué avec une technologie de pointe. À cette fin, lisez attentivement ce manuel et toute autre documentation fournie avant d'utiliser le produit et conservez-les comme référence.

Tenez compte de toutes les informations et de tous les avertissements figurant dans le manuel d'utilisation. De cette façon, vous vous protégez, vous et votre produit, contre les dangers qui peuvent survenir.

Conservez le manuel d'utilisation. Joignez ce guide à l'unité si vous le remettez à quelqu'un d'autre.

Les symboles suivants sont utilisés dans le manuel d'utilisation :



Il s'agit d'un danger qui peut entraîner la mort ou des blessures.



Informations importantes ou conseils utiles sur le fonctionnement.







Lisez le manuel d'utilisation.



Matériau combustible, mise en garde contre le risque d'incendie.

AVERTISSEMENT Un danger qui peut causer des dommages matériels au produit ou à son environnement

  SUPPLIER'S NAME MODEL IDENTIFIER → (*)  	<p>Les informations sur le modèle, telles qu'elles sont enregistrées dans la base de données des produits, peuvent être obtenues en accédant au site web suivant et en recherchant l'identifiant du modèle (*) figurant sur l'étiquette énergétique.</p> <p>https://eprel.ec.europa.eu/</p>
--	---

	7.10 AeroFlow	51
8	Entretien et nettoyage	51
9	Dépannage	52
1	Consignes de sécurité.....	30
1.1	Intention d'utilisation.....	30
1.2	Sécurité des enfants, des personnes vulnérables et des animaux domestiques.....	30
1.3	Sécurité électrique.....	31
1.4	Sécurité de manipulation	32
1.5	Sûreté des installations	32
1.6	Sécurité de fonctionnement	35
1.7	Sécurité du stockage des aliments	38
1.8	Sécurité relative à l'entretien et au nettoyage	38
1.9	Mise au rebut de l'ancien produit .	39
2	Instructions environnementales..	39
2.1	Conformité avec la directive DEEE et élimination des déchets..	39
3	Votre réfrigérateur	40
4	Installation	41
4.1	Lieu idéal d'installation	41
4.2	Branchement électrique.....	41
4.3	Fixation des cales en plastique	42
4.4	Réglages des pieds avant.....	42
4.5	Attention aux surfaces chaudes...	42
5	Préparation.....	42
5.1	Moyens d'économiser l'énergie....	42
5.2	Première utilisation	43
5.3	Classe climatique et définitions ...	44
6	Fonctionnement de l'appareil.....	44
7	Utilisation de votre appareil.....	45
7.1	Panneau de contrôle du produit ...	45
7.2	Stockage des aliments dans le compartiment réfrigérant.....	46
7.3	Bac à légumes	49
7.4	bac à légumes avec contrôle d'humidité	49
7.5	Technologies Crisper	49
7.6	Inversion du côté d'ouverture de la porte	50
7.7	Alerte de porte ouverte.....	50
7.8	Porte-bouteille pliable	50
7.9	Remplacement de la lampe d'éclairage.....	51

1 Consignes de sécurité

Cette section contient les instructions de sécurité nécessaires à la prévention des risques de dommage corporel ou de dommage matériel.

Notre entreprise ne peut être tenue pour responsable des dommages qui peuvent se produire si ces instructions ne sont pas respectées.

Les opérations d'installation et de réparation doivent être effectuées par un service agréé.

Utilisez uniquement des pièces de rechange et des accessoires d'origine.

Les pièces de rechange originales sont fournies pendant les 10 années suivant la date d'achat de l'appareil.

Évitez de réparer ou de remplacer tout composant de l'appareil sauf si cela est clairement spécifié dans le manuel d'utilisation.

Il ne faut pas effectuer de modifications sur l'appareil.

1.1 Intention d'utilisation

Ce produit ne convient pas à un usage commercial et ne doit pas être utilisé autrement que pour l'usage auquel il est destiné. Ce

produit est conçu pour être utilisé à l'intérieur, dans les foyers et dans des endroits similaires.

Par exemple ;

- cuisines du personnel des magasins, bureaux et autres environnements professionnels,
- les maisons de campagne,
- unités des hôtels, motels ou autres installations de repos utilisées par les clients,
- hôtels ou environnements similaires,
- services de restauration et les espaces semblables de vente en gros.

Ces appareils ne doivent pas être utilisés dans des environnements extérieurs ouverts ou clôturés tels que les bateaux, balcons ou terrasses. L'exposition de l'appareil à la pluie, à la neige, au soleil et au vent présente un risque d'incendie.

1.2 Sécurité des enfants, des personnes vulnérables et des animaux domestiques

- Cet appareil peut être utilisé par des enfants âgés d'au moins 8 ans, ainsi que par des personnes avec des capacités physiques, sensorielles ou

- mentales réduites ou sans expérience et connaissances, si elles sont supervisées ou ont été formées à l'utilisation sécurisée de l'appareil et comprennent les risques relatifs.
- Les enfants de 3 à 8 ans sont autorisés à mettre les aliments dans la glacière et à les enlever.
 - Les produits électriques sont dangereux pour les enfants et les animaux domestiques. Les enfants et les animaux domestiques ne doivent pas jouer avec le produit, ni grimper dessus, ni y entrer.
 - Le nettoyage et l'entretien des utilisateurs ne doivent pas être effectués par des enfants, sauf s'il y a une personne qui les surveille.
 - Tenez les emballages hors de la portée des enfants. Risque de blessure et d'asphyxie.

Avant de vous débarrasser des appareils usagés qui ne doivent plus être utilisés :

1. Débranchez le cordon d'alimentation de la prise de courant.
2. Coupez le cordon d'alimentation et retirez-le de l'appareil avec la prise.

3. Ne retirez pas les étagères et les tiroirs de l'appareil pour empêcher les enfants d'y pénétrer.
4. Démontage des portes.
5. Stockez l'appareil de façon à éviter qu'il se renverse.
6. Ne laissez pas les enfants jouer avec un appareil usagé.
 - Ne jetez pas l'appareil en le mettant au feu. Risque d'explosion.
 - Si une serrure est disponible dans la porte de l'appareil, gardez la clé hors de la portée des enfants.



1.3 Sécurité électrique

- Il ne faut pas brancher le produit dans la prise de courant pendant les opérations d'installation, d'entretien, de nettoyage, de réparation et de transport.
- Si le câble d'alimentation est endommagé, il doit être remplacé par un service agréé uniquement pour éviter tout risque qui pourrait survenir.
- Ne placez pas le câble d'alimentation sous l'appareil ou à l'arrière de celui-ci. Ne placez aucun objet lourd sur le câble d'alimentation. Le câble d'alimentation ne doit pas être plié, écrasé et entrer en contact avec une source de chaleur.

- N'utilisez pas de rallonge, de prise multiple ou d'adaptateur pour faire fonctionner votre appareil.
- Les prises multiples mobiles ou les blocs d'alimentation portatifs peuvent surchauffer et causer un incendie. Par conséquent, aucune prise multiple ne doit se trouver derrière ou à proximité de l'appareil.
- La prise doit être facilement accessible. Si cela n'est pas possible, l'installation électrique doit être dotée d'un mécanisme conforme à la réglementation en matière d'électricité et qui déconnecte toutes les bornes du réseau (fusible, interrupteur, commutateur principal, etc.).
- Évitez de toucher le cordon d'alimentation avec des mains humides.
- Lorsque vous débranchez l'appareil, ne tenez pas le cordon d'alimentation, mais la prise.

1.4 Sécurité de manipulation

- Assurez-vous de débrancher l'appareil avant de le transporter.
- Cet appareil est lourd, ne le manipulez pas seul. Vous risquez de vous blesser si le pro-

duit tombe sur vous. Ne heurtez pas l'appareil et ne le faites pas tomber pendant son transport.

- Fermez toujours les portes et ne tenez pas l'appareil par ses portes lorsque vous le transportez.
- Veillez à ne pas endommager le système de refroidissement et les tuyaux lorsque vous manipulez l'appareil. Évitez de faire fonctionner l'appareil si les tuyaux sont endommagés et contactez un service agréé.

1.5 Sûreté des installations

- Contactez le service agréé pour l'installation de votre réfrigérateur. Pour préparer l'appareil à l'utilisation, lisez attentivement les instructions du manuel d'utilisation et assurez-vous que les équipements électriques et d'approvisionnement d'eau sont installés convenablement. Si ce n'est pas le cas, appelez un électricien et un plombier qualifiés pour faire le nécessaire. Le non-respect de cette consigne peut entraîner un choc électrique, un incendie, des problèmes avec le produit ou des blessures.

- Le produit est conçu pour être utilisé dans des zones situées à 2 000 mètres au-dessous du niveau de la mer.
- Vérifiez que l'appareil n'est pas endommagé avant de l'installer. N'installez pas l'appareil lorsqu'il est endommagé.
- Utilisez toujours un équipement de protection individuelle (gants, etc.) pendant l'installation, l'entretien et la réparation du produit. Risque de blessures !
- Placez le produit sur une surface propre, plane et dure et équilibrez-le à l'aide des pieds réglables (en tournant les pieds avant vers la droite ou la gauche). Sinon, le réfrigérateur risque de se renverser et provoquer des blessures.
- Installez l'appareil dans un endroit sec et ventilé. Ne laissez pas de tapis, de moquettes ou d'autres revêtements similaires sous l'appareil. Ils peuvent entraîner un risque d'incendie en raison d'une ventilation inadéquate !
- N'obstruez pas ou ne couvrez pas les orifices de ventilation. Sinon, la consommation d'énergie risque d'augmenter et votre produit pourrait être endommagé.
- Lorsque vous installez le produit, veillez à ce que le câble d'alimentation ne soit pas endommagé ou pincé.
- Le produit ne doit pas être connecté à des systèmes d'alimentation tels que l'alimentation solaire. Sinon, votre produit peut être endommagé en raison de changements soudains de tension !
- Plus un réfrigérateur contient de réfrigérant, plus grande doit être la pièce d'installation. Dans les très petites pièces, un mélange gaz-air inflammable peut se produire en cas de fuite de gaz dans le système de refroidissement. Au moins 1 m³ de volume est requis pour chaque 8 grammes de réfrigérant. La quantité de réfrigérant disponible dans votre appareil est indiquée sur la plaque signalétique.
- Le lieu d'installation du produit ne doit pas être exposé à la lumière directe du soleil et ne doit pas se trouver à proximité d'une source de chaleur telle qu'un poêle, un radiateur, etc. Si vous ne pouvez pas empêcher l'installation du produit à proximité d'une source de chaleur, utilisez une plaque isolante appropriée et assurez-vous que la distance minimale

par rapport à la source de chaleur est conforme aux spécifications ci-dessous.

- À au moins 30 cm des sources de chaleur telles que les cuisinières, les fours, les appareils de chauffage, etc.
- Et à au moins 5 cm des fours électriques.
- Votre produit a la classe de protection I.
- Branchez le produit dans une prise avec mise à la terre conforme aux valeurs de tension, de courant et de fréquence indiquées sur la plaque signalétique. La prise de courant doit être équipée d'un fusible de 10 à 16A. Notre entreprise ne sera pas tenue responsable de tout dommage résultant de l'utilisation de l'appareil sans prise de mise à la terre et sans branchement électrique conforme aux normes locales et nationales en vigueur.
- Débranchez le câble d'alimentation du réfrigérateur pendant l'installation. Dans le cas contraire, vous risquez de vous électrocuter et de vous blesser !
- Ne branchez pas le cordon d'alimentation du produit dans des prises de courant lâches, disloquées, cassées, sales, huileuses et présentant un risque de contact avec l'eau. Ces types de branchements peuvent provoquer une surchauffe et un incendie.
- Placez le câble d'alimentation et les flexibles (si disponibles) de l'appareil de sorte qu'ils ne puissent pas provoquer de risque de trébuchement.
- La pénétration de l'humidité et de liquide sur les pièces sous tension ou sur le cordon d'alimentation peut provoquer un court-circuit. Par conséquent, n'utilisez pas l'appareil dans des environnements humides ou dans des zones où l'eau peut éclabousser (p. ex., garage, buanderie, etc.). Si le réfrigérateur est mouillé par l'eau, débranchez-le et communiquez avec un service autorisé.
- Ne branchez jamais votre réfrigérateur sur des dispositifs d'économie d'énergie. Ces systèmes sont nocifs pour l'appareil.
- En retirant le couvercle de la carte électronique et le couvercle arrière du compresseur

(si présent), vous risquez d'entrer en contact avec des pièces électriques. Ne retirez pas le couvercle de la carte électronique et le couvercle arrière du compresseur (si présent). Il existe un risque d'électrocution !



1.6 Sécurité de fonctionnement

- N'utilisez jamais de solvants chimiques sur le réfrigérateur. Ces matériaux présentent un risque d'explosion.
- En cas de panne de l'appareil, débranchez-le et ne l'utilisez pas avant sa réparation par le service autorisé. Il existe un risque d'électrocution !
- Ne placez pas une source de flamme (p. ex. des bougies, cigarettes, etc.) sur l'appareil ou à proximité de celui-ci.
- Ne montez pas sur l'appareil. Risque de chute et de blessure !
- N'endommagez pas les tuyaux du système de refroidissement avec des outils tranchants et perçants. Le réfrigérant qui s'échappe en cas de perforation des tuyaux à gaz, des tuyaux d'extension ou des revêtements de la surface supérieure peut provoquer une irritation de la peau et des lésions oculaires.
- Ne placez pas et n'utilisez pas d'appareils électriques à l'intérieur du réfrigérateur/congélateur, sauf avis contraire du fabricant.
- Ne coincez pas les parties de vos mains ou de votre corps sur les parties mobiles à l'intérieur de l'appareil. Faites attention à ne pas coincer vos doigts entre le réfrigérateur et sa porte. Soyez prudent lorsque vous ouvrez ou fermez la porte en présence des enfants.
- Ne mettez pas de crème glacée, de glaçons ou d'aliments congelés dans votre bouche immédiatement après les avoir sortis du congélateur. Risque de gelure !
- Ne touchez pas les parois intérieures, les parties métalliques du congélateur ou les aliments conservés dans le congélateur avec les mains mouillées. Risque de gelure !
- Ne placez pas de canettes de soda ou de bouteilles contenant des liquides pouvant être congelés dans le compartiment congélateur. Les canettes ou les bouteilles

peuvent exploser. Risque de blessures et de dommages matériels !

- N'utilisez pas ou ne placez pas de matériaux sensibles à la température tels que des aérosols inflammables, des objets inflammables, de la glace sèche ou d'autres agents chimiques à proximité du réfrigérateur. Risque d'incendie ou d'explosion !
- Ne stockez pas de matières explosives telles que des aérosols contenant des matériaux inflammables à l'intérieur de l'appareil.
- Ne placez pas de boîtes contenant des liquides sur l'appareil lorsqu'il est ouvert. Les éclaboussures d'eau sur une pièce électrique peuvent provoquer un choc électrique ou un incendie.
- Cet appareil n'est pas destiné au stockage et au refroidissement de médicaments, de plasma sanguin, de préparations de laboratoire ou de matériaux et produits similaires qui sont soumis à la directive sur les produits médicaux.
- Si l'appareil est utilisé à d'autres fins que celles pour lesquelles il a été conçu, il peut endommager ou détériorer les produits qu'il contient.
- Si votre réfrigérateur est équipé d'un voyant lumineux bleu, ne contemplez pas le voyant lumineux avec des instruments optiques. Ne fixez pas directement la lumière LED à UV pendant une longue période, car les rayons ultraviolets peuvent entraîner la fatigue oculaire.
- Ne remplissez pas l'appareil de contenu dépassant sa capacité. Des blessures ou des dégâts peuvent survenir au cas où le contenu du réfrigérateur tombe lorsque la porte est ouverte. Des problèmes similaires peuvent survenir lorsqu'un objet est placé sur l'appareil.
- Pour éviter tout risque de blessures, rassurez-vous que vous avez retiré toute la glace ou toute l'eau qui auraient pu se verser au sol.
- Changez l'emplacement des casiers/porte-bouteilles sur la porte de votre réfrigérateur uniquement lorsqu'ils sont vides. Risque de blessures !

- Ne placez aucun objet qui pourrait tomber ou basculer sur l'appareil. Ces objets peuvent tomber lors de l'ouverture ou de la fermeture de la porte, et causer des blessures et/ou des dégâts matériels.
- Ne frappez ni n'exercez aucune pression excessive sur les surfaces en verre. Le verre brisé peut causer des blessures et/ou des dégâts matériels.
- Le système de refroidissement de votre appareil contient du réfrigérant R600a. Le type de réfrigérant utilisé dans l'appareil est indiqué sur la plaque signalétique. Ce gaz est inflammable. Par conséquent, veillez à ne pas endommager le système de refroidissement et les tuyaux pendant l'utilisation de l'appareil. Si les tuyaux sont endommagés :
 1. Ne touchez pas l'appareil ni le câble d'alimentation,
 2. Maintenez l'appareil éloigné des sources potentielles d'incendie qui pourraient causer l'incendie de l'appareil,
 3. Aérez la zone où l'appareil est placé, - N'utilisez pas de ventilateur,
 4. Contactez un centre de service agréé.

Si l'appareil est endommagé et que vous observez une fuite de gaz, éloignez-vous du gaz. Le gaz peut causer des gelures lorsqu'il entre en contact avec votre peau.

Avant de vous débarrasser des appareils usagés qui ne doivent plus être utilisés :

1. Débranchez le cordon d'alimentation de la prise de courant.
 2. Coupez le cordon d'alimentation et retirez-le de l'appareil avec la prise.
 3. Ne retirez pas les étagères et les tiroirs de l'appareil pour empêcher les enfants d'y pénétrer.
 4. Démontage des portes.
 5. Stockez l'appareil de façon à éviter qu'il se renverse.
 6. Ne laissez pas les enfants jouer avec un appareil usagé.
- Ne jetez pas l'appareil en le mettant au feu. Risque d'explosion.
 - Si une serrure est disponible sur la porte de l'appareil, gardez la clé hors de la portée des enfants.

1.7 **Sécurité du stockage des aliments**

Veillez prêter attention aux avertissements suivants afin d'éviter la détérioration des aliments :

- Laisser les portes ouvertes pendant une longue période peut entraîner une augmentation de la température à l'intérieur du produit.
- Nettoyez régulièrement les systèmes de drainage accessibles en contact avec les aliments.
- Nettoyez les réservoirs d'eau qui n'ont pas été utilisés pendant 48 heures et les systèmes d'alimentation en eau qui n'ont pas été utilisés pendant plus de 5 jours.
- Conservez les produits de viande et de poisson crus dans des compartiments appropriés à l'intérieur de l'appareil. Ainsi, ils ne coulent pas sur les autres aliments et n'entre pas en contact avec eux.
- Les compartiments de congélation à deux étoiles permettent de conserver les aliments pré-cuisinés, de préparer et de conserver la glace et la crème glacée.

- Les compartiments à une, deux et trois étoiles ne conviennent pas à la congélation des aliments frais.
- Si le produit réfrigérant est resté vide pendant une longue période, éteignez le produit, dégivrez, nettoyez et séchez le produit afin de protéger le boîtier de l'appareil.

1.8 **Sécurité relative à l'entretien et au nettoyage**

- Ne tirez pas sur la poignée de la porte si vous devez déplacer l'appareil pour le nettoyer. La poignée peut causer des blessures si vous la tirez trop fort.
- Ne nettoyez pas l'appareil en pulvérisant ou en versant de l'eau dessus et à l'intérieur. Risque de choc électrique et d'incendie.
- Lors du nettoyage de l'appareil, n'utilisez pas d'outils tranchants et abrasifs ni de produits de nettoyage ménagers, de détergents, d'essence, de diluant, d'alcool, de vernis et de substances similaires. Utilisez des produits de nettoyage et d'entretien qui ne sont pas nocifs pour les aliments uniquement à l'intérieur de l'appareil.

- N'utilisez jamais de vapeur ou de matériel de nettoyage à vapeur pour nettoyer l'appareil et faire fondre la glace qui s'y trouve. Lorsque la vapeur entre en contact avec les zones sensibles de votre réfrigérateur, elle peut provoquer un court-circuit ou un choc électrique.
- Veillez à éloigner l'eau des circuits électroniques ou de l'éclairage de l'appareil.
- Utilisez un torchon propre et sec pour essuyer la poussière ou les corps étrangers sur les extrémités des fiches. N'utilisez pas de torchon humide ou mouillé pour nettoyer la fiche. Ceci, pour éviter tout risque d'incendie ou de choc électrique.
- Pour éviter que les enfants ne s'enferment accidentellement dans le produit, désactivez le verrou de porte s'il en existe un.
- Les éclaboussures de liquide de refroidissement sont dangereuses pour les yeux. N'endommagez aucune partie du système de refroidissement lorsque vous mettez le produit au rebut.
- L'ingestion de l'huile du compresseur ou sa pénétration dans les voies respiratoires peut être fatale.
- Le système de refroidissement de votre produit comprend du gaz R600a comme spécifié sur la plaque signalétique. Ce gaz est inflammable. Ne jetez pas l'appareil en le mettant au feu. Risque d'explosion !

1.9 Mise au rebut de l'ancien produit

Lorsque vous mettez votre ancien produit au rebut, suivez les instructions ci-dessous :

2 Instructions environnementales

2.1 Conformité avec la directive DEEE et élimination des déchets



Cet appareil est conforme à la directive DEEE de l'Union européenne (2012/19/UE). Le produit possède un symbole de

classification attribué aux déchets d'équipements électriques et électroniques (DEEE).

Ce symbole indique que cet appareil ne doit pas être mis au rebut avec les ordures ménagères à la fin de sa durée de vie. Les appareils usagés doivent être retournés au point de collecte officiel pour le recyclage des dispositifs électriques et électroniques. Pour trouver ces systèmes de collecte,

veuillez contacter les autorités locales ou le détaillant à l'endroit où l'appareil a été acheté. Chaque ménage joue un rôle important dans la récupération et le recyclage des vieux appareils ménagers. La mise au rebut appropriée des appareils usagés permet de prévenir les conséquences négatives potentielles pour l'environnement et la santé humaine.

Conformité à la directive RoHS

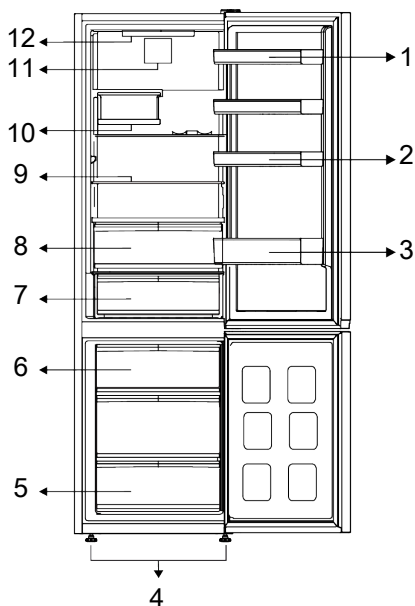
Votre appareil est conforme à la directive RoHS de l'Union européenne (2011/65/UE). Il ne comporte pas de matériaux dangereux et interdits mentionnés dans la directive.



Informations sur l'emballage

Les matériaux d'emballage de cet appareil sont fabriqués à partir de matériaux recyclables, conformément à nos réglementations nationales en matière d'environnement. Ne mettez pas les matériaux d'emballage au rebut avec les ordures ménagères et d'autres déchets. Apportez-les aux points de collecte des matériaux d'emballage désignés par les autorités locales.

3 Votre réfrigérateur



- | | |
|---------------------------------|---------------------------------|
| 1 * Étagères de porte réglables | 2 * Porte-œuf |
| 3 * Étagère pour les bouteilles | 4 * Pieds avant réglables |
| 5 * Compartiment de congélation | 6 * Récipient à glace |
| 7 * Tiroir de stockage du froid | 8 * Tiroir de stockage du froid |
| 9 * Étagères réglables | 10 * Poubelle à vin pliable |
| 11 * Ventilateur | 12 * Lampe d'éclairage |

*En option : Les illustrations présentées dans ce manuel d'utilisation sont schématiques et peuvent ne pas correspondre

exactement à votre produit. Si votre appareil ne présente pas les parties citées, alors l'information s'applique à d'autres modèles.

4 Installation



Lisez d'abord la section « Instructions de sécurité » !

4.1 Lieu idéal d'installation

Contactez le service agréé pour l'installation de votre réfrigérateur. Pour préparer l'installation du réfrigérateur, lisez attentivement les instructions du manuel d'utilisation et assurez-vous que les équipements électriques et d'approvisionnement d'eau sont installés convenablement. Si ce n'est pas le cas, appelez un électricien et un plombier pour faire le nécessaire pour les services publics.



AVERTISSEMENT :

Le fabricant ne sera pas tenu responsable en cas de problèmes causés par des travaux effectués par des personnes non autorisées.



AVERTISSEMENT :

Débranchez le câble d'alimentation du réfrigérateur pendant l'installation. Le non-respect de cette consigne peut entraîner la mort ou des blessures graves !



AVERTISSEMENT :

Si le cadre de la porte est trop étroit pour laisser passer l'appareil, retirez la porte et faites passer l'appareil sur les côtés ; si cela ne fonctionne pas, contactez le service agréé.

- Placez l'appareil sur une surface plane pour éviter les vibrations.
- Placez le produit à 30 cm du chauffage, de la cuisinière et des autres sources de chaleur similaires et à au moins 5 cm des fours électriques.

- N'exposez pas le produit directement à lumière du soleil et ne le laissez pas dans des environnements humides.
- Votre produit nécessite une circulation d'air adéquate pour pouvoir fonctionner efficacement. S'il est placé dans une alcôve, n'oubliez pas de laisser un espace d'au moins 5 cm entre l'appareil, le plafond, la paroi arrière et les parois latérales.
- Vérifiez que l'élément de protection d'espace de la façade arrière est présent à son emplacement (au cas où il est fourni avec l'appareil).
- Si l'élément n'est pas disponible, perdu ou tombé, positionnez l'appareil de manière à laisser un espace d'au moins 5 cm entre la surface arrière de l'appareil et les murs de la pièce. L'espace prévu à l'arrière est important pour le fonctionnement efficace de l'appareil.

4.2 Branchement électrique



Ne branchez pas le réfrigérateur sur une rallonge ou une multiprise.



Les câbles d'alimentation endommagés doivent être remplacés par le service agréé.



Lorsque deux réfrigérateurs sont installés côte à côte, laissez au moins 4 cm de distance entre les deux appareils

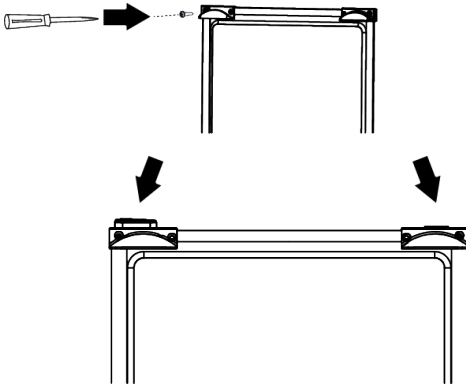
- Notre entreprise ne sera pas tenue responsable de tout dommage résultant de l'utilisation de l'appareil sans prise de mise à la terre ou branchement électrique conforme à la norme nationale en vigueur.

- Gardez la fiche du câble d'alimentation à portée de main après l'installation.
- N'utilisez pas de fiche multigroupe avec ou sans rallonge entre la prise murale et le réfrigérateur.

4.3 Fixation des cales en plastique

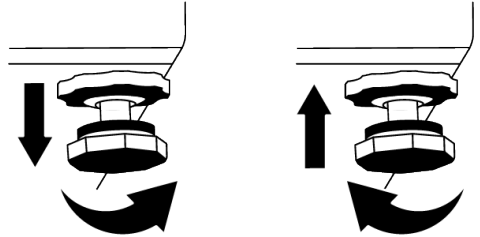
Utilisez les cales en plastiques fournies avec le réfrigérateur pour maintenir une circulation d'air suffisante entre le réfrigérateur et le mur.

1. Pour fixer les cales, retirez les vis du réfrigérateur et utilisez celles fournies avec les cales.
2. Fixez 2 cales en plastique sur le couvercle de ventilation tel qu'illustré par l'image.



4.4 Réglages des pieds avant

Si l'appareil n'est pas équilibré, réglez les pieds avant en les tournant vers la gauche ou la droite.



4.5 Attention aux surfaces chaudes

Les parois latérales de votre produit sont équipées de tuyaux de refroidissement pour améliorer le système de refroidissement. Un fluide à haute pression peut s'écouler à travers ces surfaces, et provoquer des surfaces chaudes sur les parois latérales. C'est normal et cela ne nécessite pas d'entretien. Faites attention lorsque vous contactez ces zones.

5 Préparation



Lisez d'abord la section « Instructions de sécurité » !

5.1 Moyens d'économiser l'énergie



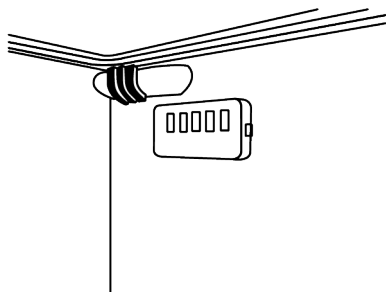
Il est dangereux de connecter l'appareil aux systèmes électroniques d'économie d'énergie, ils pourraient l'endommager.

- Cet appareil de réfrigération n'est pas conçu pour être utilisé comme un appareil encastré.
- Ne laissez pas la porte du réfrigérateur ouverte longtemps.

- Ne placez pas d'aliments ou de boissons chauds dans le réfrigérateur.
- Ne surchargez pas le réfrigérateur, l'obstruction du flux d'air interne réduira la capacité de réfrigération.
- Comme l'air chaud et humide ne pénètre pas directement dans votre produit lorsque les portes ne sont pas ouvertes, votre produit s'optimisera dans des conditions suffisantes pour protéger vos aliments. Dans ces conditions, les fonctions et les composants tels que le compresseur, le ventilateur, le chauffage, le

dégivrage, l'éclairage, l'affichage, etc. fonctionneront en fonction des besoins en consommant un minimum d'énergie.

- Dans le cas où plusieurs options sont présentes, les étagères en verre doivent être placées de manière à ce que les sorties d'air de la paroi arrière ne soient pas bloquées et, de préférence, de manière à ce que les sorties d'air restent sous l'étagère en verre. Cette combinaison peut contribuer à améliorer la distribution de l'air et l'efficacité énergétique.
- Il est fortement recommandé d'utiliser le tiroir du bas pour le rangement.
- Selon les caractéristiques de l'appareil, le dégivrage des aliments congelés dans le compartiment réfrigérateur assurera l'économie d'énergie et la préservation de la qualité des aliments.
- Afin de charger la quantité maximale d'aliments dans le compartiment congélateur, vous devez retirer les tiroirs supérieurs et placer les aliments sur les clayettes métalliques/en verre.
- Veuillez-vous assurer que les aliments ne sont pas en contact direct avec le capteur de température du compartiment réfrigérateur décrit ci-après.



- En cas de contact avec le capteur, la consommation d'énergie de l'appareil peut augmenter
- Les aliments sont stockés à l'aide des tiroirs du compartiment réfrigéré afin de garantir une économie d'énergie et de protéger les aliments dans de meilleures conditions.

- Les emballages de denrées alimentaires ne doivent pas être en contact direct avec le capteur de température situé dans le compartiment de congélation.

5.2 Première utilisation

Avant d'utiliser votre réfrigérateur, assurez-vous que les installations nécessaires sont conformes aux instructions des sections « Instructions en matière de sécurité et d'environnement » et « Installation ».

- Laissez l'appareil fonctionner à vide pendant 6 heures, et ne l'ouvrez pas sauf en cas de nécessité absolue.
- Le changement de température causé par l'ouverture et la fermeture de la porte pendant l'utilisation du produit peut normalement entraîner la formation de condensation sur les tablettes de la porte/du corps et sur les verres placés dans l'appareil.

i Un son retentit à l'activation du compresseur. Il est normal que l'appareil fasse du bruit même si le compresseur ne fonctionne pas, car du fluide et du gaz peuvent être comprimés dans le système de refroidissement.

i Il est normal que les bords avant du réfrigérateur soient chauds. Ces parties doivent en principe être chaudes afin d'éviter la condensation.

i Pour certains modèles, le panneau indicateur s'éteint automatiquement 1 minute après la fermeture des portes. Il s'active à nouveau à l'ouverture de la porte ou lorsque vous appuyez sur n'importe quelle touche.

5.3 Classe climatique et définitions

Veillez vous référer à la classe climatique figurant sur la plaque signalétique de votre appareil. L'une des informations suivantes s'applique à votre appareil selon la classe climatique.

- **SN** : Climat tempéré à long terme : Ce dispositif de refroidissement est conçu pour être utilisé à une température ambiante comprise entre 10 °C et 32 °C.

- **N** : Climat tempéré : Ce dispositif de refroidissement est conçu pour être utilisé à une température ambiante comprise entre 16°C et 32 °C.
- **ST** : Climat subtropical : Ce dispositif de refroidissement est conçu pour être utilisé à une température ambiante comprise entre 16°C et 38°C.
- **T** : Climat tropical : Ce dispositif de refroidissement est conçu pour être utilisé à une température ambiante comprise entre 16°C et 43°C.

6 Fonctionnement de l'appareil



Lisez d'abord la section « Instructions de sécurité » !

- Il ne faut pas utiliser d'outils mécaniques ou autres que les recommandations du fabricant pour accélérer l'opération de décongélation.
- Évitez d'utiliser des parties de votre réfrigérateur, telles que la porte ou les tiroirs, comme support ou comme marchepied. Cela peut faire trébucher le produit ou endommager ses composants.
- Le produit ne doit être utilisé que pour la conservation des aliments.
- Fermez le robinet d'eau si vous vous absentez de chez vous (par exemple, en vacances) et que vous n'utilisez pas le dis-

tributeur d'eau ou le distributeur de glace pendant une longue période. Dans le cas contraire, des fuites d'eau peuvent se produire.

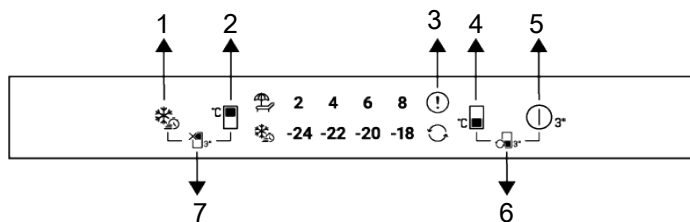
Interruption du programme

- Si vous n'avez pas l'intention d'utiliser le produit pendant une longue période, débranchez-le de la prise de courant.
- Enlevez la nourriture pour éviter les odeurs.
- Attendez que la glace fonde, nettoyez l'intérieur et laissez-le sécher, laissez les portes ouvertes pour éviter d'endommager les plastiques intérieurs de la carrosserie.

7 Utilisation de votre appareil

7.1 Panneau de contrôle du produit

FR



- 1 Clé de congélation rapide
- 2 Touche de réglage de la température du compartiment de refroidissement
- 3 Indicateur de condition d'erreur
- 4 Touche de réglage de la température du compartiment congélateur
- 5 Bouton d'arrêt du produit
- 6 Clé de conversion des compartiments
- 7 Touche de fonction Arrêt du compartiment de réfrigération (vacances)



Lisez d'abord la section « Instructions de sécurité ».

Les fonctions sonores et visuelles dudit panneau vous aident à utiliser votre réfrigérateur.

***En option:** Les fonctions indiquées sont facultatives, il peut y avoir des différences de forme et d'emplacement au niveau des fonctions indiquées sur le panneau de votre appareil.

1. Touche de gel rapide

Dès que vous appuyez sur la touche de congélation rapide, le symbole de congélation rapide s'allume et la fonction de congélation rapide est activée. La température du compartiment congélateur est réglée sur -27°C . Appuyez à nouveau sur la touche pour annuler la fonction. La fonction de congélation rapide est automatiquement annulée après un certain temps. Pour congeler une grande partie d'aliments frais, appuyez sur la touche de congélation rapide avant de mettre les aliments dans le compartiment congélateur.

2. Clé de réglage de la température du compartiment de refroidissement

Permet de régler la température du compartiment du refroidisseur. En appuyant sur la touche, on active la température du compartiment réfrigérant.

Réglable sur 8,6,4,2 $^{\circ}\text{C}$.

3. Indicateur de condition d'erreur

Cet indicateur est activé lorsque le réfrigérateur ne refroidit pas suffisamment ou lorsqu'une erreur de capteur se produit. Les indicateurs de température du congélateur et du réfrigérateur clignotent dans certaines combinaisons. Il informe le service de l'erreur qui s'est produite. Un point d'exclamation peut être affiché lorsque vous chargez des aliments chauds dans le compartiment de congélation ou que vous gardez la porte ouverte pendant une longue période. Il ne s'agit pas d'un défaut, cet avertissement disparaît lorsque l'aliment est refroidi ou lorsqu'on appuie sur une touche quelconque.

4. Touche de réglage de la température

du compartiment de congélation

Le réglage de la température est effectué pour le compartiment de congélation. La température du compartiment congélateur peut être réglée sur -18, -20, -22, -24 °C en appuyant sur la touche .

5. Bouton d'arrêt du produit

Lorsque ce bouton est enfoncé pendant 3 secondes, l'appareil passe à l'état d'arrêt. Dans cet état, le réfrigérateur n'effectue pas de refroidissement ; lorsque l'on appuie à nouveau sur le bouton pendant 3 secondes, le réfrigérateur commence à fonctionner normalement.

6. Touche de conversion des comparti-

ments

En appuyant sur la touche de conversion de compartiment pendant 3 secondes, le compartiment congélateur peut être réglé comme compartiment réfrigérateur, compartiment fermé ou compartiment congélateur.

Lorsque l'appareil fonctionne comme un congélateur, la valeur de température sélectionnée pour le compartiment congélateur est allumée et le symbole de conversion est éteint.

7.2 Stockage des aliments dans le compartiment réfrigérant

Stockage des aliments dans le compartiment réfrigérant

- La température des compartiments augmente considérablement si la porte du compartiment est ouverte et fermée fréquemment et si elle reste ouverte pendant longtemps, ce qui peut réduire la durée de vie des aliments et les faire se gâter.
- Afin de ne pas provoquer de changements d'odeur et de goût, les aliments doivent être conservés dans des récipients fermés.
- Ne conservez pas de quantités excessives d'aliments dans votre réfrigérateur. Pour obtenir un refroidissement plus effi-

Lorsqu'il s'agit d'un compartiment réfrigérant, tous les voyants des valeurs de température du compartiment congélateur sont éteints et le symbole de conversion est allumé. Le compartiment fonctionne comme une glacière.

Lorsque le compartiment congélateur est éteint, tous les voyants des valeurs de température du compartiment congélateur sont éteints et le symbole de conversion est éteint. Pour cette sélection, aucune nourriture ne se trouve dans le compartiment.

7. Touche de fonction Arrêt du compartiment réfrigéré (vacances)

Appuyez sur la touche pendant 3 secondes pour activer la fonction vacances. Le mode vacances est activé et le symbole vacances est illuminé. Toutes les icônes de l'indicateur de température du compartiment réfrigérateur s'éteignent et le compartiment réfrigérant n'effectue pas de refroidissement actif. Lorsque cette fonction est activée, il est déconseillé de conserver des aliments dans le compartiment réfrigérateur. Les autres compartiments continuent à se refroidir en fonction des températures fixées. Il suffit d'appuyer à nouveau sur la touche pendant 3 secondes pour annuler cette fonction.

ce et homogène, placez les aliments séparément de manière à ce que l'air froid puisse circuler.

- Assurez la circulation de l'air en laissant un espace entre l'aliment et la paroi interne. Si vous appuyez les aliments contre la paroi arrière, ils risquent de geler.
- Amenez les plats chauds cuisinés à la température ambiante avant de les placer dans le réfrigérateur. Ensuite, vous pouvez placer le repas tiède dans les étagères inférieures de votre réfrigérateur. Ne placez pas les repas tièdes à proximité des aliments qui peuvent facilement se gâter.

- Décongelez vos aliments congelés dans le compartiment des aliments frais. Ainsi, vous pouvez refroidir le compartiment des aliments frais en utilisant des aliments congelés et économiser de l'énergie.
- Conservez les fruits tropicaux non mûrs (mangue, variétés de melon, papaye, banane, ananas) au réfrigérateur peut accélérer le processus de maturation. Ceci n'est pas recommandé car cela entraîne une réduction de la durée de stockage.
- Vous devez conserver les oignons, les aulx, les gingembres et les autres légumes-racines dans une pièce sombre et froide, et non au réfrigérateur.
- Si vous remarquez qu'un aliment a tourné dans le réfrigérateur, jetez-le et nettoyez les accessoires qui ont été en contact avec cet aliment.
- Pour refroidir rapidement les plats tels que les soupes et les ragoûts, qui sont cuits dans de grandes marmites, vous pouvez les mettre au réfrigérateur en les séparant dans leurs propres récipients peu profonds.
- Ne placez pas d'aliments non emballés à proximité des œufs.
- Conservez les fruits et légumes séparément et stockez chaque variété ensemble (par exemple : les pommes avec les pommes, les carottes avec les carottes)..
- Sortez les légumes verts du sac en plastique et placez-les au réfrigérateur après les avoir enveloppés dans une serviette en papier ou un linge sec. Si vous lavez ce type d'aliments avant de les placer dans le réfrigérateur, n'oubliez pas de les sécher.
- Vous pouvez à la fois créer un environnement humide et assurer une circulation d'air en conservant les fruits et légumes, qui ont tendance à sécher, dans des sacs en plastique perforés ou non fermés.
- Sauf en cas de circonstances extrêmes dans l'environnement, si votre produit (sur le tableau des valeurs de consigne recommandées) est réglé sur les valeurs de consigne spécifiées, les aliments conservent leur fraîcheur plus longtemps, aussi bien dans le compartiment des produits frais que dans celui du congélateur.

Rangez les aliments dans les différents endroits en fonction de leurs propriétés :	
Aliment	Emplacement
Œuf	Balconnet
Produits laitiers (beurre, fromage)	Si disponible, compartiment zéro degré (pour les aliments du petit-déjeuner)
Fruits, légumes et verdure	Compartiment fruits-légumes, bac à légumes ou Compartiment EverFresh+ (si disponible)
Viande fraîche, volaille, poisson, saucisses, etc. Aliments cuits	Si disponible, compartiment zéro degré (pour les aliments du petit-déjeuner)
Aliments prêts à consommer, produits emballés, conserves, produits marinés	Étagères supérieures ou balconnet
Boissons, bouteilles, épices et snacks	Balconnet

Stockage des aliments dans le compartiment congélateur

- Vous pouvez activer la fonction de congélation rapide 4 à 6 heures avant la fonction de congélation et effectuer un refroidissement plus rapide.
- Amenez les repas chauds à la température ambiante avant de les placer dans le compartiment congélateur.
- Les aliments à congeler doivent être divisés en portions en fonction de la taille à consommer, et congelés dans des emballages séparés.
- Il est recommandé d'emballer les aliments avant de les placer dans le congélateur.

- Afin de prévenir l'expiration du temps de conservation, inscrivez la date et l'heure de congélation ainsi que le nom du produit sur l'emballage, en fonction des temps de conservation des différents aliments.
- Consommez rapidement les aliments que vous avez décongelés. Les aliments décongelés ne peuvent être recongelés que s'ils sont cuits. Il n'est pas sûr de consommer les aliments frais recongelés sans cuisson après leur décongélation.
- Lorsque vous congelez des aliments frais, ne les mettez pas en contact avec des aliments déjà congelés. Sinon, les aliments congelés seront décongelés.

Stockage des aliments vendus surgelés

- Suivez toujours les instructions du producteur en ce qui concerne le temps pendant lequel vous devez conserver vos aliments. Ne dépassez pas le temps indiqué dans ces instructions !
- Afin de préserver la qualité des aliments, veillez à ce que l'intervalle de temps entre la transaction d'achat et le stockage soit aussi court que possible.
- Achetez les aliments congelés qui sont conservés à -18 °C ou à des températures inférieures.
- Évitez d'acheter des aliments dont l'emballage est recouvert de glace, etc. Cela signifie que le produit pourrait être partiellement décongelé et recongelé. La température a un impact sur la qualité des aliments.
- Ne dépassez pas la durée de conservation recommandée par le producteur de l'aliment. Ne sortez du congélateur que les aliments dont vous avez besoin.
- Sauf en cas de circonstances extrêmes dans l'environnement, si votre produit (sur le tableau des valeurs de consigne recommandées) est réglé sur les valeurs de consigne spécifiées, les aliments conservent leur fraîcheur plus longtemps, aussi bien dans le compartiment des produits frais que dans celui du congélateur.
- Si le compartiment des aliments frais est réglé sur une température inférieure, les fruits et légumes frais peuvent être partiellement congelés.

Compartiment de congélation Réglages	Compartiment réfrigérateur Réglages	Remarques
-22°C	4°C	Ce réglage est celui qui est recommandé par défaut. Ce réglage est recommandé si la température ambiante est inférieure à 30°C.
-22 ou -24 °C	4°C	Ces réglages sont recommandés pour des températures ambiantes excédant 30 °C.
Congélation rapide	4°C	Est utilisée lorsque vous voulez congeler vos denrées pendant une courte période. Lorsque le processus se termine, les paramètres du produit reviennent à la position précédente.
Inférieure ou égale à -18 °C	2°C	Utilisez ces paramètres si à votre avis le compartiment réfrigérateur n'est pas assez froid en raison de la température ambiante ou de l'ouverture fréquente de la porte.

Détails du congélateur

Selon les normes IEC 62552, à une température ambiante de 25°C, le congélateur doit pouvoir congeler 4,5 kg de denrées ali-

mentaires à -18°C ou à des températures inférieures en 24 heures pour chaque 100 litres de volume du compartiment congélateur.

Les aliments peuvent être préservés pour des périodes prolongées uniquement à des températures inférieures ou égales à -18 °C.

Vous pouvez garder les aliments frais pendant des mois (dans le congélateur à des températures inférieures ou égales à -18 °C).

Les aliments à congeler ne doivent pas être en contact avec ceux déjà congelés pour éviter un dégivrage partiel.

Faites bouillir les légumes et filtrez l'eau pour prolonger la durée de conservation à l'état congelé. Placez les aliments dans des emballages sous vide après les avoir filtrés et placez-les dans le congélateur. Les bananes, les tomates, les feuilles de laitue, le céleri, les œufs durs, les pommes de terre et les aliments similaires ne doivent pas être congelés. Si ces aliments sont congelés, seules les valeurs nutritionnelles et les qualités gustatives seront affectées. Une pourriture qui mettrait en danger la santé humaine n'est pas à l'ordre du jour.

Placer les aliments

Balconnets du compartiment congélateur : Divers produits surgelés comme la viande, le poisson, la glace, les légumes, etc.

Balconnets du compartiment réfrigérateur : Les aliments contenus dans des casseroles, des plats couverts, des gamelles et les œufs (dans des gamelles)

Balconnets de la porte du compartiment réfrigérateur : Petits aliments ou boissons emballés

Bac à légumes: Fruits et légumes

Compartiment des aliments frais : Épicerie fine (aliments pour petit déjeuner, produits carnés à consommer à court terme)

7.3 Bac à légumes

Le bac à légumes du réfrigérateur est conçu pour conserver les légumes frais en préservant leur humidité. À cette fin, la circulation générale d'air froid est intensifiée dans le bac à légumes. Conservez les fruits

et les légumes dans ce compartiment. Conservez séparément les légumes verts et les fruits pour prolonger leur durée de vie.

7.4 bac à légumes avec contrôle d'humidité

Everfresh

Grâce à la fonction de bac à légumes à humidité contrôlée, l'humidité des légumes et des fruits est maîtrisée et les aliments restent frais plus longtemps.

Nous vous recommandons de placer les légumes à feuilles tels que la laitue, les épinards et les légumes similaires qui sont sensibles à la perte d'humidité dans le bac à légumes, non pas à la verticale sur leurs racines, mais le plus horizontalement possible.

Lorsque vous placez les légumes, placez les légumes lourds et durs en bas et les légumes légers et tendres en haut, en tenant compte du poids spécifique des légumes.

Ne laissez jamais de légumes dans des sacs en plastique dans le bac à légumes. En les laissant dans des sacs en plastique, les légumes pourrissent en peu de temps. Dans les situations où le contact avec d'autres légumes n'est pas privilégié, utilisez des matériaux d'emballage tels que le papier qui présente un certain niveau de porosité en termes d'hygiène.

Il ne faut pas mettre les fruits qui ont une forte production de gaz d'éthylène comme la poire, l'abricot, la pêche et surtout la pomme dans le même bac à légumes avec d'autres fruits et légumes. Le gaz d'éthylène qui sort de ces fruits pourrait faire mûrir plus rapidement d'autres légumes et fruits et les faire pourrir dans un laps de temps plus court.

7.5 Technologies Crisper

Voyant lumineux bleu

Les fruits et légumes stockés dans les bacs à légumes éclairés par une lumière bleue continuent leur photosynthèse grâce

à l'effet de longueur d'onde de la lumière bleue et préservent ainsi leur teneur en vitamine.

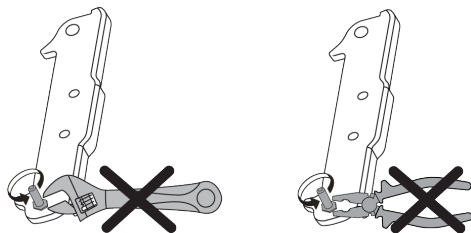
HarvestFresh

Les fruits et légumes conservés dans les bacs à légumes éclairés par la technologie HarvestFresh conservent leurs vitamines plus longtemps grâce aux lumières bleues, vertes, rouges et aux cycles d'obscurité, qui simulent un cycle de jour.

Lorsque la porte de votre réfrigérateur est ouverte pendant la période d'obscurité de la technologie HarvestFresh, votre réfrigérateur le détecte automatiquement et allume le bac à légumes avec l'une des lumières bleues, vertes ou rouges respectivement pour votre confort. Une fois que vous avez fermé la porte du réfrigérateur, la période d'obscurité se poursuit, représentant ainsi la nuit dans un cycle de jour.

7.6 Inversion du côté d'ouverture de la porte

Le côté d'ouverture de la porte de votre réfrigérateur peut être inversé en fonction de l'endroit où vous le placez. En cas de besoin, vous devez absolument appeler le service agréé le plus proche.



7.7 Alerte de porte ouverte

Le système d'alerte d'ouverture de porte de votre réfrigérateur peut varier selon le modèle.

Version 1;

Si la porte du produit reste ouverte pendant un certain temps (entre 60 s et 120 s), un signal d'avertissement sonore retentit ; selon le modèle de produit, un signal d'avertissement visuel (flash lumineux) peut éga-

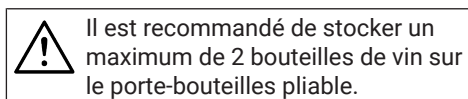
lement être affiché. Si vous fermez la porte de l'appareil ou appuyez sur une touche de l'écran de l'appareil, le signal d'avertissement sonore s'arrête.

Version 2;

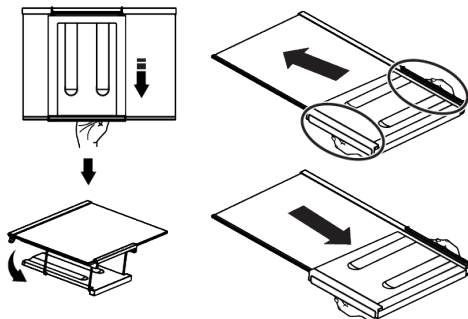
Si la porte de l'appareil reste ouverte pendant un certain temps (entre 60 s et 120 s), l'alarme d'ouverture de porte retentit. L'alarme d'ouverture de porte retentit progressivement. Un signal d'avertissement sonore retentit d'abord. Si la porte n'est toujours pas fermée après 4 minutes, un avertissement visuel (lumière clignotante) est activé. L'alarme d'ouverture de porte est retardée pendant un certain temps (entre 60 s et 120 s) si l'on appuie sur n'importe quelle touche de l'écran du produit (le cas échéant). Le processus recommence alors. Lorsque la porte de l'appareil est fermée, l'alarme d'ouverture de porte est annulée.

7.8 Porte-bouteille pliable

Il permet à l'utilisateur de stocker des bouteilles de vin si nécessaire. Pour utiliser la section de la crémaillère, saisissez la partie en plastique et tirez-la doucement vers le bas. Vous pouvez maintenant utiliser le porte-bouteilles pliable.



Il est recommandé de stocker un maximum de 2 bouteilles de vin sur le porte-bouteilles pliable.



Pour regrouper le porte-bouteille, retirez premièrement la tablette en verre du réfrigérateur. Placez-le sur l'étagère en verre en poussant la partie en plastique dans les rai-

nures avant et arrière, comme indiqué sur la photo. Le produit sera prêt à être utilisé avec le porte-voiture pliable.

Pour retirer le porte-bouteilles pliable, premièrement, retirez la tablette en verre du réfrigérateur. Saisissez ensuite la partie en plastique et tirez-la dans n'importe quelle direction. Vous pouvez maintenant utiliser l'appareil sans porte-bouteilles pliable si nécessaire.

7.9 Remplacement de la lampe d'éclairage

Appelez le service autorisé lorsque l'ampoule/LED utilisée pour l'éclairage de votre réfrigérateur doit être remplacée.

La ou les lampes utilisées dans cet appareil ne peuvent pas être utilisées pour l'éclairage de la maison. L'objectif de cette lampe est d'aider l'utilisateur à placer les aliments dans le réfrigérateur/congélateur de manière sûre et confortable.

8 Entretien et nettoyage



AVERTISSEMENT :

Lisez d'abord la section « Instructions de sécurité ».



AVERTISSEMENT :

Débranchez le réfrigérateur avant le nettoyage.

- N'utilisez pas des objets pointus ou des produits de nettoyage abrasifs pour nettoyer l'appareil. Il ne faut pas utiliser de matériaux tels que des produits d'entretien ménager, du savon, des détergents, du gaz, de l'essence, un diluant, de l'alcool, de la cire, etc.
- La poussière doit être enlevée de la grille de ventilation située à l'arrière du produit au moins une fois par an (sans ouvrir le couvercle). Nettoyez l'appareil avec un chiffon humide.
- Veillez à ne pas mouiller le logement de la lampe ainsi que d'autres composants électriques.
- Nettoyez la porte avec un chiffon humide. Retirez tout le contenu pour enlever la porte et les supports de carrosserie. Retirez les supports de porte en les soulevant vers le haut. Nettoyez et séchez les étagères, puis refixez-les en les faisant glisser à partir du haut.
- N'utilisez pas d'eau contenant du chlore, ou des produits de nettoyage pour les surfaces externes et les pièces chromées de l'appareil. Le chlore entraîne la corrosion de ce type de surfaces métalliques.
- Il ne faut pas utiliser d'outils tranchants et abrasifs, de savon, de produits d'entretien ménager, de détergents, de gaz, d'essence, de vernis et de substances similaires pour empêcher la déformation de la pièce en plastique et l'élimination des empreintes sur la pièce. Utilisez de l'eau chaude et un chiffon doux pour le nettoyage, puis séchez-le.
- Sur les produits sans fonction « No-Frost », des gouttelettes d'eau et un givre pouvant atteindre l'épaisseur d'un doigt peuvent se former sur la paroi arrière du

compartiment congélateur. Ne nettoyez pas et n'appliquez jamais d'huiles ou de produits similaires.

- Utilisez un chiffon en microfibres légèrement humidifié pour nettoyer la surface extérieure du produit. Les éponges et autres types de vêtements de nettoyage peuvent provoquer des éraflures.
- Afin de nettoyer tous les composants amovibles pendant le nettoyage de la surface intérieure du produit, il faut laver ces composants avec une solution douce composée de savon, d'eau et de carbonate. Lavez et séchez soigneusement. Évitez le contact de l'eau avec les composants d'éclairage et le panneau de contrôle.



ATTENTION :

N'utilisez pas de vinaigre, d'alcool à friction ni de produits nettoyants à base d'alcool sur les surfaces intérieures.

Surfaces extérieures en acier inoxydable

Utilisez un produit de nettoyage non abrasif pour l'acier inoxydable et appliquez-le avec un chiffon doux non pelucheux. Pour polir,

9 Dépannage

Vérifiez la liste suivante avant de contacter le service après-vente. Cela devrait vous éviter de perdre du temps et de l'argent.

Cette liste répertorie les plaintes fréquentes ne provenant pas de vices de fabrication ou des défauts de pièces. Certaines fonctionnalités mentionnées dans ce manuel peuvent ne pas exister sur votre modèle.

Le réfrigérateur ne fonctionne pas.

- La fiche électrique n'est pas correctement insérée. >>> Branchez-la en l'enfonçant complètement dans la prise.
- Le fusible branché à la prise qui alimente l'appareil ou le fusible principal est grillé. >>> Vérifiez les fusibles.

essuyez doucement la surface avec un chiffon en microfibres humidifié à l'eau et utilisez une peau de chamois sèche. Suivez toujours les veines de l'acier inoxydable.

Prévention des odeurs

À sa sortie d'usine, cet appareil ne contient aucun matériau odorant. Cependant, la conservation des aliments dans des sections inappropriées et le mauvais nettoyage de l'intérieur peuvent donner lieu aux mauvaises odeurs.

- Pour éviter cela, nettoyez l'intérieur à l'aide de carbonate dissout dans l'eau tous les 15 jours.
- Conservez les aliments dans des récipients scellés, car les micro-organismes provenant des aliments conservés dans des récipients non scellés provoquent une mauvaise odeur.
- Ne conservez pas d'aliments périmés ou avariés dans le réfrigérateur.

Protection des surfaces en plastique

Si de l'huile se répand sur les surfaces en plastique, il faut immédiatement les nettoyer avec de l'eau tiède, sinon elles seront endommagées.

Condensation sur la paroi latérale du congélateur (MULTI ZONE, COOL, CONTROL et FLEXI ZONE).

- La porte a été ouverte trop fréquemment >>> Évitez d'ouvrir trop fréquemment la porte de l'appareil.
- L'environnement est trop humide. >>> N'installez pas l'appareil dans des endroits humides.
- Les aliments contenant des liquides sont conservés dans des récipients non fermés. >>> Conservez ces aliments dans des emballages scellés.
- La porte de l'appareil est restée ouverte. >>> Ne laissez pas la porte de l'appareil ouverte longtemps.

- Le thermostat est réglé sur une température très froide. >>> Réglez le thermostat à la température appropriée.

Le compresseur ne fonctionne pas.

- En cas de coupure soudaine de courant ou de débranchement intempestif, la pression du gaz dans le système de réfrigération de l'appareil n'est pas équilibrée, ce qui déclenche la fonction de conservation thermique du compresseur. L'appareil se remet en marche au bout de 6 minutes environ. Dans le cas contraire, veuillez contacter le service de maintenance.
- Le dégivrage est actif. >>> Ce processus est normal pour un appareil à dégivrage complètement automatique. Le dégivrage se déclenche périodiquement.
- L'appareil n'est pas branché. >>> Vérifiez que le cordon d'alimentation est branché.
- Le réglage de la température est incorrect. >>> Sélectionnez le réglage de température approprié.
- Absence d'énergie électrique. >>> Le produit continuera à fonctionner normalement une fois le courant rétabli.

Le bruit du réfrigérateur en fonctionnement s'accroît pendant son utilisation.

- Le rendement de l'appareil en fonctionnement peut varier en fonction des fluctuations de la température ambiante. Ceci est normal et ne constitue pas un dysfonctionnement.

Le réfrigérateur fonctionne fréquemment ou pendant de longues périodes.

- Il se peut que le nouvel appareil soit plus grand que l'ancien. Les appareils plus grands fonctionnent plus longtemps.
- La température de la pièce est peut-être trop élevée. >>> Il est normal que l'appareil fonctionne plus longtemps quand la température de la pièce est élevée.
- L'appareil vient peut-être d'être branché ou chargé de nouvelles denrées alimentaires. >>> L'appareil met plus longtemps à atteindre la température réglée s'il vient d'être branché ou récemment rempli de denrées. C'est normal.

- Il est possible que des quantités importantes d'aliments chauds aient été récemment placées dans l'appareil. >>> Ne mettez pas d'aliments chauds à l'intérieur de l'appareil.
- Les portes étaient ouvertes fréquemment ou sont restées longtemps ouvertes. >>> L'air chaud qui se déplace à l'intérieur permet à l'appareil de fonctionner plus longtemps. N'ouvrez pas les portes trop fréquemment.
- Il est possible que la porte du congélateur soit entrouverte. >>> Vérifiez que les portes sont complètement fermées.
- L'appareil peut être réglé à une température trop basse. >>> Réglez la température à un degré supérieur et attendez que l'appareil atteigne la nouvelle température.
- Le joint de la porte du congélateur peut être sale, usé, cassé, ou mal positionné. >>> Nettoyez ou remplacez le joint d'étanchéité. Si le joint du congélateur est endommagé ou arraché, l'appareil prendra plus longtemps à conserver la température actuelle.

La température du congélateur est très basse, alors que celle du réfrigérateur est appropriée.

- La température du compartiment congélateur est très basse. >>> Réglez la température du compartiment congélateur à un degré supérieur et vérifiez à nouveau.

La température du réfrigérateur est très basse, alors que celle du congélateur est appropriée.

- La température du compartiment réfrigérateur est très basse. >>> Réglez la température du compartiment de refroidissement à un degré supérieur et vérifiez à nouveau.

Les aliments conservés dans le compartiment réfrigérateur sont congelés.

- La température du compartiment réfrigérateur est très basse. >>> Réglez la température du compartiment de refroidissement à un degré supérieur et vérifiez à nouveau.

La température du compartiment réfrigérateur ou congélateur est très élevée.

- La température du compartiment réfrigérateur est réglée à un degré très élevé. >>> Le réglage de la température du compartiment réfrigérateur a une incidence sur la température du compartiment congélateur. Attendez jusqu'à ce que la température des pièces correspondantes atteigne le niveau d'efficacité requis en changeant la température des compartiments réfrigérateur ou congélateur.
- Les portes étaient ouvertes fréquemment ou sont restées longtemps ouvertes. >>> N'ouvrez pas les portes trop fréquemment.
- La porte peut être entrouverte. >>> Fermez complètement la porte.
- L'appareil vient peut-être d'être branché ou chargé de nouvelles denrées alimentaires. >>> Cela est normal. L'appareil met plus longtemps à atteindre la température réglée s'il vient d'être branché ou récemment rempli de denrées.
- Il est possible que des quantités importantes d'aliments chauds aient été récemment placées dans l'appareil. >>> Ne mettez pas d'aliments chauds à l'intérieur de l'appareil.

En cas de vibrations ou de bruits.

- La surface n'est pas plate ou durable >>> Si l'appareil balance lorsqu'il est déplacé doucement, ajustez les supports afin de le remettre en équilibre. Assurez-vous également que le sol est assez solide pour supporter l'appareil.
- Les éléments placés sur l'appareil peuvent être à l'origine du bruit. >>> Retirez tous les éléments placés sur l'appareil.
- L'appareil émet un bruit d'écoulement de liquide ou de pulvérisation, etc.
- Les principes de fonctionnement de l'appareil impliquent des écoulements de liquides et des émissions de gaz. >>> Ceci est normal et ne constitue pas un dysfonctionnement.

L'appareil émet un sifflement.

- L'appareil effectue le refroidissement à l'aide d'un ventilateur. Ceci est normal et ne constitue pas un dysfonctionnement.

Il y a de la condensation sur les parois internes de l'appareil.

- Un climat chaud ou humide accélère le processus de givrage et de condensation. Ceci est normal et ne constitue pas un dysfonctionnement.
- Les portes étaient ouvertes fréquemment ou sont restées longtemps ouvertes. >>> N'ouvrez pas les portes trop fréquemment ; fermez-les lorsqu'elles sont ouvertes.
- La porte peut être entrouverte. >>> Fermez complètement la porte.

Il y a de la condensation sur les parois externes ou entre les portes de l'appareil.

- Il se peut que le climat ambiant soit humide, auquel cas cela est normal. >>> La condensation se dissipera lorsque l'humidité sera réduite.

Présence d'une odeur désagréable dans l'appareil.

- L'appareil n'est pas nettoyé régulièrement. >>> Nettoyez régulièrement l'intérieur à l'aide d'une éponge, de l'eau tiède et du carbonate dissout dans l'eau.
- Certains récipients et matériaux d'emballage sont peut-être à l'origine des mauvaises odeurs. >>> Utilisez des récipients et des emballages exempts de toute odeur.
- Les aliments étaient placés dans des récipients ouverts. >>> Conservez les aliments dans des récipients fermés. Des micro-organismes peuvent se proliférer dans des récipients non fermés et émettre de mauvaises odeurs.
- Retirez tous les aliments périmés ou avariés de l'appareil.

La porte ne se ferme pas.

- Les paquets d'aliments peuvent bloquer la porte. >>> Déplacez tout ce qui bloque les portes.

- L'appareil ne se tient pas parfaitement droit sur le sol. >>> Ajustez les supports afin de remettre l'appareil en équilibre.
- La surface n'est pas plane ou durable >>> Assurez-vous que la surface est plane et suffisamment durable pour supporter le produit.

Le bac à légumes est bloqué.

- Il est possible que les aliments soient en contact avec la section supérieure du bac. >>> Reclassez les aliments dans le bac.

Température à la surface de l'appareil.

- Une température élevée peut être observée entre deux portes, sur les panneaux latéraux et sur la zone du grill arrière

lorsque votre produit est utilisé. C'est normal et cela ne nécessite pas d'entretien.

Le ventilateur continue de fonctionner lorsque la porte est ouverte.

- Le ventilateur peut continuer à fonctionner lorsque la porte du congélateur est ouverte.



AVERTISSEMENT : Si le problème persiste même après observation des instructions contenues dans cette partie, contactez votre fournisseur ou un service de maintenance agréé. N'essayez pas de réparer vous-même l'appareil. C'est normal.

CLAUSE DE NON-RESPONSABILITÉ / AVERTISSEMENT

Certaines défaillances (simples) peuvent être traitées de manière adéquate par l'utilisateur final sans qu'aucun problème de sécurité ou d'utilisation dangereuse ne survienne, à condition qu'elles soient effectuées dans les limites et conformément aux instructions suivantes (voir la section « Auto-réparation »).

Par conséquent, sauf autorisation contraire dans la section « Auto-réparation » ci-dessous, adressez-vous à des réparateurs professionnels agréés pour toutes réparations afin d'éviter des problèmes de sécurité. Un réparateur professionnel agréé est une personne à qui le fabricant a donné accès aux instructions et à la liste des pièces détachées de ce produit selon les méthodes décrites dans les actes législatifs en application de la directive 2009/125/CE

Toutefois, seul l'agent de service (c'est-à-dire les réparateurs professionnels agréés) que vous pouvez joindre au numéro de téléphone indiqué dans le manuel d'utilisation/la carte de garantie ou par l'intermédiaire de votre fournisseur agréé peut fournir un service conformément aux conditions de garantie. Par conséquent, veuillez noter que les réparations effectuées par des réparateurs

professionnels (qui ne sont pas autorisés par) Beko Marka annulent la garantie.

Auto-réparation

L'auto-réparation peut être effectuée par l'utilisateur final en ce qui concerne les pièces de rechange suivantes : poignées de porte, charnières de porte, plateaux, paniers et joints de porte (une liste mise à jour est également disponible sur support.beko.com à partir du 1er mars 2021).

En outre, pour garantir la sécurité du produit et éviter tout risque de blessure grave, ladite auto-réparation doit être effectuée en suivant les instructions du manuel d'utilisation pour l'auto-réparation ou celles disponibles sur support.beko.com. Pour votre sécurité, débranchez le produit avant de procéder à toute auto-réparation.

Les réparations et tentatives de réparation par les utilisateurs finaux pour des pièces ne figurant pas dans cette liste et/ou ne suivant pas les instructions des manuels d'utilisation pour l'auto-réparation ou celles disponibles sur support.beko.com, pourraient donner lieu à des problèmes de sécurité non imputables à Beko, et annuleront la garantie du produit.

Il est donc fortement recommandé aux utilisateurs finaux de s'abstenir de tenter d'effectuer des réparations ne figurant pas sur la liste des pièces de rechange mentionnée, mais de contacter dans de tels cas des réparateurs professionnels autorisés ou des réparateurs professionnels agréés. Au contraire, de telles tentatives de la part des utilisateurs finaux peuvent causer des problèmes de sécurité et endommager le produit et, par la suite, provoquer un incendie, une inondation, une électrocution et des blessures corporelles graves.

À titre d'exemple, mais sans s'y limiter, vous devez vous adresser à des réparateurs professionnels autorisés ou à des réparateurs professionnels agréés pour les réparations suivantes : compresseur, circuit de refroidissement, carte mère, carte d'inverseur, panneau d'affichage, etc.

Le fabricant/vendeur ne peut être tenu responsable dans tous les cas où les utilisateurs finaux ne se conforment pas à ce qui précède.

La disponibilité des pièces de rechange du réfrigérateur que vous avez acheté est de 10 ans. Pendant cette période, les pièces de rechange d'origine seront disponibles pour faire fonctionner le réfrigérateur correctement.

La durée minimale de garantie du réfrigérateur que vous avez acheté est de 24 mois.

Cet appareil est équipé d'une source d'éclairage de classe énergétique « G ».

La source d'éclairage de cet appareil ne doit être remplacée que par des réparateurs professionnels.

Voir également

2 CLAUSE DE NON-RESPONSABILITÉ / AVERTISSEMENT [] 56]



Points de collecte sur www.quefairemesdechets.fr
Privilégiez la réparation ou le don de votre appareil !



Bitte lesen Sie zunächst dieses Handbuch

Lieber Kunde,

Bitte lesen Sie dieses Handbuch, bevor Sie das Produkt verwenden.

Vielen Dank, dass Sie sich für dieses Beko Produkt entschieden haben. Wir möchten, dass Sie mit diesem hochwertigen Produkt, das mit modernster Technologie hergestellt wurde, die optimale Effizienz erzielen. Lesen Sie dazu dieses Handbuch und alle anderen mitgelieferten Dokumentationen sorgfältig durch, bevor Sie das Produkt verwenden, und bewahren Sie sie als Referenz auf.

Beachten Sie alle Informationen und Warnungen im Bedienungsanleitung. Auf diese Weise schützen Sie sich und Ihr Produkt vor den Gefahren, die auftreten können.

Bewahren Sie das Bedienungsanleitung auf. Fügen Sie diese Anleitung dem Gerät bei, wenn Sie sie an eine andere Person übergeben.

In dieser Bedienungsanleitung werden folgende Symbole verwendet:



Gefahr, die zum Tod oder zu Verletzungen führen kann.



Wichtige Informationen oder nützliche Tipps zur Bedienung.







Lesen Sie die Bedienungsanleitung.



Brennbares Material, Warnung vor Brandgefahr.

HINWEIS Eine Gefahr, die zu Materialschäden am Produkt oder seiner Umgebung führen kann

	
SUPPLIER'S NAME	MODEL IDENTIFIER → (*)
	

Die in der Produktdatenbank gespeicherten Modellinformationen können über die folgende Website und die Suche nach Ihrer Modellkennung (*) auf dem Energieetikett abgerufen werden.

<https://eprel.ec.europa.eu/>

1	Sicherheitshinweise	60
1.1	Verwendungszweck	60
1.2	Sicherheit von Kindern, gefährdeten Personen und Haustieren	61
1.3	Elektrische Sicherheit.....	62
1.4	Handhabungssicherheit.....	62
1.5	Montagesicherheit	63
1.6	Betriebssicherheit	65
1.7	Sicherheit bei der Lagerung von Lebensmitteln	68
1.8	Wartungs- und Reinigungssicherheit.....	69
1.9	Entsorgung des alten Produkts	69
2	Umwelthinweise.....	70
2.1	Informationen zur Entsorgung:.....	70
3	Ihr Kühlschrank.....	72
4	Installation	72
4.1	Richtiger Ort für die Installation....	72
4.2	Elektrischer Anschluss.....	73
4.3	Anbringen der Kunststoffkeile.....	73
4.4	Einstellen der FüÙe.....	74
4.5	Warnung vor heißer Oberfläche!...	74
5	Vorbereitung.....	74
5.1	Was man zum Energiesparen tun kann.....	74
5.2	Erste Verwendung	75
5.3	Klimaklasse und Definitionen	75
6	Produktbedienung	76
7	Verwendung des Geräts.....	76
7.1	Bedienfeld des Geräts	76
7.2	Aufbewahrung von Lebensmitteln im Kühlfach.....	77
7.3	Gemüsefach	80
7.4	Feuchtigkeitsregulierter Gemüsefach	81
7.5	Gemüsefach-Technologien.....	81
7.6	Umkehren der Türöffnungsseite ..	81
7.7	Alarm bei offener Tür	81
7.8	Faltbares Weinregal	82
7.9	Auswechseln der Beleuchtungslampe	82
7.10	AeroFlow.....	82
8	Wartung und Reinigung	83

1 Sicherheitshinweise

- Dieser Abschnitt enthält die notwendigen Sicherheitshinweise, um die Gefahr von Personen- und Sachschäden zu vermeiden.
- Unser Unternehmen haftet nicht für Schäden, die bei Nichtbeachtung dieser Anweisungen entstehen können.



Lassen Sie Montage- und Reparaturarbeiten immer vom Hersteller, einem autorisierten Kundendienst oder einer Person, die von der einführenden Firma beschrieben wird, durchführen.



Verwenden Sie nur Originalersatzteile und Zubehör.



Reparieren oder ersetzen Sie keine Komponenten des Produkts, wenn dies nicht eindeutig in der Bedienungsanleitung angegeben ist.



Nehmen Sie keine Änderungen am Produkt vor.

1.1 Verwendungszweck

- Dieses Produkt ist nicht für den kommerziellen Gebrauch geeignet und sollte nicht für einen anderen als den vorgesehenen Zweck verwendet werden.

- Dieses Produkt ist für den Betrieb in Innenräumen, wie z.B. in Haushalten oder ähnlichem, vorgesehen.

Zum Beispiel;

In den Personalküchen von Geschäften, Büros und anderen Arbeitsumgebungen,

In Bauernhöfen,

In den Räumen von Hotels, Motels oder anderen Erholungseinrichtungen, die von Kunden genutzt werden,

In Herbergen oder ähnlichen Umgebungen,

In Catering-Diensten und ähnlichen Anwendungen außerhalb des Einzelhandels.

- Dieses Produkt darf nicht in offenen oder geschlossenen Außenbereichen wie Schiffen, Wohnmobile, Balkonen oder Terrassen verwendet werden. Wenn das Produkt Regen, Schnee, Sonnenlicht und Wind ausgesetzt wird, besteht Brandgefahr.

1.2 Sicherheit von Kindern, gefährdeten Personen und Haustieren



- Dieses Produkt kann von Kindern ab 8 Jahren und Personen mit unterentwickelten körperlichen, sensorischen oder geistigen Fähigkeiten oder mangelnder Erfahrung und Kenntnis verwendet werden, wenn sie beaufsichtigt werden oder eine Einweisung in den sicheren Gebrauch des Geräts und die damit verbundenen Gefahren erhalten haben.
 - Kinder zwischen 3 und 8 Jahren dürfen Lebensmittel in das Kühlerprodukt einlegen und aus ihr entnehmen.
 - Elektrische Produkte sind für Kinder und Haustiere gefährlich. Kinder und Haustiere dürfen nicht mit dem Produkt spielen, darauf klettern oder es betreten.
 - Reinigung und Benutzerwartung sollten nicht von Kindern durchgeführt werden, es sei denn, sie werden von jemandem beaufsichtigt.
 - Halten Sie Verpackungsmaterialien von Kindern fern! Es besteht Verletzungs- und Erstickengefahr.
- Bevor Sie alte Produkte entsorgen, die nicht mehr verwendet werden sollen:
1. Ziehen Sie den Stecker des Netzkabels aus der Steckdose.
 2. Schneiden Sie das Netzkabel ab und ziehen Sie es zusammen mit dem Stecker aus dem Gerät.
 3. Nehmen Sie die Ablagen und Schubladen nicht aus dem Gerät, um zu verhindern, dass Kinder in das Innere des Geräts gelangen können.
 4. Entfernen Sie die Türen.
 5. Bewahren Sie das Gerät so auf, dass es nicht umgestoßen werden kann.
 6. Erlauben Sie Kindern nicht, mit dem ausrangierten Produkt zu spielen.
- Entsorgen Sie das Gerät nicht, indem Sie es ins Feuer werfen. Es besteht Explosionsgefahr.
 - Wenn ein Schloss an der Tür des Geräts vorhanden ist, bewahren Sie den Schlüssel außerhalb der Reichweite von Kindern auf.



1.3 Elektrische Sicherheit

- Das Gerät darf während der Installation, Wartung, Reinigung, Reparatur und des Transports nicht an die Steckdose angeschlossen werden.
- Wenn das Netzkabel beschädigt ist, darf es nur von einem autorisierten Kundendienst ausgetauscht werden, um jegliche Risiken zu vermeiden, die auftreten können.
- Verlegen Sie das Netzkabel nicht unter dem Gerät oder an der Rückseite des Geräts. Stellen Sie keine schweren Gegenstände auf das Netzkabel. Das Netzkabel darf nicht geknickt oder gequetscht werden und nicht mit einer Wärmequelle in Berührung kommen.
- Verwenden Sie keine Verlängerungskabel, Mehrfachsteckdosen oder Adapter, um Ihr Gerät zu betreiben.
- Tragbare Mehrfachsteckdosen oder tragbare Netzteile können sich überhitzen und einen Brand verursachen. Stellen Sie daher keine tragbaren Stromquellen mit Mehrfachsteckdosen hinter oder in der Nähe des Geräts auf.

- Schließen Sie das Netzkabel des Geräts nicht an eine lose oder beschädigte Steckdose an. Derartige Verbindungen können überhitzen und einen Brand verursachen.
- Der Stecker muss leicht zugänglich sein. Wenn dies nicht möglich ist, muss die Elektroinstallation über einen Mechanismus verfügen, der den gesetzlichen Vorschriften entspricht und alle Anschlüsse vom Netz trennt (Sicherung, Schalter, Hauptschalter usw.).
- Berühren Sie den Stecker nicht mit nassen Händen!
- Fassen Sie beim Ausstecken des Geräts nicht das Netzkabel, sondern den Stecker an.



1.4 Handhabungssicherheit

- Ziehen Sie unbedingt den Netzstecker, bevor Sie das Gerät tragen.
- Dieses Produkt ist schwer, handhaben Sie es nicht selbst. Wenn das Gerät auf Sie fällt, können Sie sich verletzen. Stoßen Sie beim Transport nicht an und lassen Sie das Gerät nicht fallen.

- Schließen Sie immer die Türen und halten Sie das Gerät nicht an den Türen fest, wenn Sie es transportieren.
- Achten Sie beim Umgang mit dem Gerät darauf, dass das Kühlsystem und die Leitungen nicht beschädigt werden. Nehmen Sie das Gerät nicht in Betrieb, wenn die Leitungen beschädigt sind, und wenden Sie sich an einen autorisierten Kundendienst.
- Das Produkt ist für die Verwendung in Gebieten in einer Höhe von 2000 Metern unter dem Meeresspiegel ausgelegt.
- Überprüfen Sie das Gerät vor der Installation auf eventuelle Schäden. Lassen Sie das Gerät nicht installieren, wenn es beschädigt ist.
- Verwenden Sie bei der Installation, Wartung und Reparatur des Produkts stets persönliche Schutzausrüstung (Handschuhe usw.). Verletzungsgefahr!

1.5 Montagesicherheit

- Wenden Sie sich für die Montage des Geräts an den autorisierten Kundendienst. Um das Gerät für die Verwendung vorzubereiten, lesen Sie die Informationen in der Bedienungsanleitung und stellen Sie sicher, dass die Strom- und Wasserleitungen den Anforderungen entsprechen. Wenn dies nicht der Fall ist, wenden Sie sich an einen qualifizierten Elektriker und einen Monteur, um die Versorgungsleitungen entsprechend zu installieren. Andernfalls kann es zu einem elektrischen Schlag, Brand, Problemen mit dem Gerät oder Verletzungen kommen.
- Stellen Sie das Gerät auf eine saubere, ebene und stabile Fläche und balancieren Sie es mit den verstellbaren Füßen aus (durch Drehen der vorderen Füße nach rechts oder links). Andernfalls kann der Kühlschrank umkippen und Verletzungen verursachen.
- Das Gerät muss in einer trockenen und belüfteten Umgebung aufgestellt werden. Legen Sie keine Teppiche, Vorleger oder ähnliche Beläge unter das Gerät. Dies kann zu Brandgefahr durch unzureichende Belüftung führen!
- Die Lüftungsöffnungen dürfen nicht blockiert oder abgedeckt werden. Andernfalls erhöht sich der Stromverbrauch und Ihr Produkt kann beschädigt werden.

- Achten Sie beim Platzieren des Produkts darauf, dass das Netzkabel nicht beschädigt oder eingeklemmt wird.
- Das Produkt darf nicht an Stromversorgungssysteme wie z.B. Solarstrom angeschlossen werden. Andernfalls kann Ihr Gerät durch plötzliche Spannungsschwankungen beschädigt werden!
- Je mehr Kältemittel ein Kühlschrank enthält, desto größer sollte sein Aufstellraum sein. In sehr kleinen Räumen kann bei einem Gasaustritt im Kühlsystem ein brennbares Gas-Luft-Gemisch entstehen. Pro 8 Gramm Kältemittel wird mindestens 1 m³ Rauminhalt benötigt. Die Menge des in Ihrem Produkt verfügbaren Kältemittels ist auf dem Typenschild angegeben.
- Der Aufstellungsort des Produkts darf nicht der direkten Sonneneinstrahlung ausgesetzt sein und sich nicht in der Nähe von Wärmequellen wie Öfen, Heizkörpern usw. befinden. Wenn Sie die Aufstellung des Produkts in der Nähe einer Wärmequelle nicht vermeiden können, verwenden Sie eine geeignete Isolierplatte und stellen Sie sicher, dass der Mindestabstand zur Wärmequelle wie unten angegeben ist:
 - Mindestens 30 cm Abstand zu Wärmequellen wie Herden, Öfen, Heizgeräten und Heizkörpern usw.,
 - Und mindestens 5 cm Abstand zu Elektroöfen.
- Ihr Produkt hat die Schutzklasse I.
- Schließen Sie das Gerät an eine geerdete Steckdose an, die mit den auf dem Typenschild angegebenen Werten für Spannung, Stromstärke und Frequenz übereinstimmt. Die Steckdose muss mit einer 10A - 16A Sicherung ausgestattet sein. Unser Unternehmen übernimmt keine Haftung für alle Schäden aufgrund einer Nutzung ohne Erdung oder ohne eines Stromanschlusses, der nicht den örtlichen und nationalen Vorschriften genügt.
- Während der Aufstellung muss der Gerätenetzstecker gezogen sein. Andernfalls besteht die Gefahr eines Stromschlags und von Verletzungen!
- Schließen Sie das Netzkabel des Geräts nicht an lose, verbogene, kaputte, schmutzige oder ölige Steckdosen an, die mit Wasser in Berührung kom-

men können. Derartige Anschlüsse können zu Überhitzung und Feuer führen.

- Verlegen Sie das Netzkabel und die Schläuche (falls vorhanden) des Geräts so, dass sie keine Stolpergefahr darstellen.
- Das Eindringen von Feuchtigkeit und Flüssigkeit in stromführende Teile oder in das Netzkabel kann einen Kurzschluss verursachen. Verwenden Sie das Gerät daher nicht in feuchten Umgebungen oder in Bereichen, in denen Wasser spritzen kann (z.B. Garage, Waschküche usw.). Wenn der Kühlschrank nass geworden ist, ziehen Sie den Stecker und wenden Sie sich an einen autorisierten Kundendienst.
- Schließen Sie Ihren Kühlschrank niemals an Energiespargeräte an. Solche Systeme sind schädlich für das Gerät.
- Beim Entfernen der Abdeckung der Elektronikplatine und der hinteren Abdeckung des Kompressors (falls vorhanden) besteht die Gefahr des Kontakts mit elektrischen Teilen. Entfernen Sie nicht die Abdeckung der Elektronikplatine und die hintere Abdeckung des Kom-

pressors (falls vorhanden). Es besteht die Gefahr eines Stromschlags!



1.6 Betriebssicherheit

- Verwenden Sie niemals chemische Lösungsmittel für das Gerät. Diese Stoffe bergen ein Explosionsrisiko.
- Im Falle eines Defekts ziehen Sie den Stecker aus der Steckdose und nehmen Sie das Gerät nicht in Betrieb, bis es von einem autorisierten Kundendienst repariert wurde. Es besteht die Gefahr eines Stromschlags.
- Stellen Sie keine Flammenquelle (z.B. Kerzen, Zigaretten usw.) auf das Gerät oder in dessen Nähe.
- Steigen Sie nicht auf das Gerät. Sturz- und Verletzungsgefahr!
- Beschädigen Sie die Leitungen des Kühlsystems nicht mit scharfen und stechenden Werkzeugen. Das Kältemittel, das beim Durchstechen der Gasrohre, der Rohrverlängerungen oder der oberen Oberflächenbeschichtungen austritt, kann zu Hautreizungen und Verletzungen der Augen führen.

- Stellen Sie keine elektrischen Geräte im Inneren des Kühl-/ Gefrierschranks auf und betreiben Sie sie nicht, es sei denn, dies wird vom Hersteller empfohlen.
- Klemmen Sie keine Teile Ihrer Hände oder Ihres Körpers in die beweglichen Teile im Inneren des Geräts ein. Achten Sie darauf, dass Ihre Finger nicht zwischen Kühlschrank und Tür eingeklemmt werden. Seien Sie vorsichtig beim Öffnen und Schließen der Tür, wenn Kinder in der Nähe sind.
- Nehmen Sie Eis, Eiswürfel oder gefrorene Lebensmittel nicht sofort in den Mund, wenn Sie sie aus dem Gefrierschrank nehmen. Frostbeulenrisiko!
- Berühren Sie die Innenwände, die Metallteile des Gefrierschranks oder die im Gefrierschrank aufbewahrten Lebensmittel nicht mit nassen Händen. Frostbeulenrisiko!
- Stellen Sie keine Getränkedosen oder Dosen und Flaschen, die Flüssigkeiten enthalten, die gefrieren können, in das Gefrierfach. Dosen oder Flaschen können explodieren. Verletzungsgefahr und Gefahr von Sachschäden!
- Verwenden oder lagern Sie keine temperaturempfindlichen Materialien wie brennbare Sprays, brennbare Gegenstände, Trockeneis oder andere chemische Stoffe in der Nähe des Kühlschranks. Brand- und Explosionsgefahr!
- Bewahren Sie keine explosiven Materialien wie Spraydosen mit brennbaren Stoffen im Inneren des Geräts auf.
- Stellen Sie Dosen, die Flüssigkeiten enthalten, nicht im offenen Zustand auf das Produkt. Wenn Wasser auf ein elektrisches Teil spritzt, besteht die Gefahr eines elektrischen Schlags oder eines Brands.
- Dieses Produkt ist nicht für die Lagerung und Kühlung von Arzneimitteln, Blutplasma, Laborpräparaten oder ähnlichen Materialien und Produkten vorgesehen, die unter die Medizinprodukte-Richtlinie fallen.
- Wenn das Produkt nicht bestimmungsgemäß verwendet wird, kann es zu einer Beschädigung oder Beeinträchtigung der darin aufbewahrten Produkte kommen.
- Wenn Ihr Kühlschrank mit blauem Licht ausgestattet ist, dürfen Sie nicht mit optischen Geräten in dieses Licht blicken.

Schauen Sie nicht über einen längeren Zeitraum direkt in das UV-LED-Licht. Ultraviolette Strahlen können die Augen überanstrengen.

- Befüllen Sie das Produkt nicht mit mehr Inhalt als es aufnehmen kann. Es kann zu Verletzungen oder Schäden kommen, wenn der Inhalt des Kühlschranks beim Öffnen der Tür herunterfällt. Ähnliche Probleme können auch auftreten, wenn ein Gegenstand auf das Gerät gestellt wird.
- Vergewissern Sie sich, dass Sie jegliches Eis oder Wasser, das auf den Boden gefallen sein könnte, entfernt haben, um Verletzungen zu vermeiden.
- Ändern Sie die Position der Ablagen/Flaschenablagen an der Tür Ihres Kühlschranks nur, wenn die Ablagen leer sind. Es besteht Verletzungsgefahr!
- Stellen Sie keine Gegenstände auf das Produkt, die herunterfallen/umkippen können. Diese Gegenstände können beim Öffnen oder Schließen der Tür herunterfallen und Verletzungen und/oder Sachschäden verursachen.
- Schlagen Sie nicht auf Glasflächen und üben Sie keinen übermäßigen Druck darauf aus.

Zerbrochenes Glas kann zu Verletzungen und/oder Sachschäden führen.

- Das Kühlsystem in Ihrem Produkt enthält das Kältemittel R600a. Der im Produkt verwendete Kältemitteltyp ist auf dem Typenschild angegeben. Das Gas ist entflammbar. Achten Sie deshalb beim Betrieb des Produkts darauf, dass das Kühlsystem und die Leitungen nicht beschädigt werden. Im Falle einer Beschädigung der Rohre;
 1. Berühren Sie nicht das Produkt oder das Netzkabel.
 2. Halten Sie das Gerät von potenziellen Feuerquellen fern, die das Gerät in Brand setzen könnten.
 3. Belüften Sie den Bereich, in dem das Gerät aufgestellt ist. Verwenden Sie keinen Ventilator.
 4. Wenden Sie sich an den autorisierten Kundendienst.

Wenn das Gerät beschädigt ist und Sie ein Gasleck feststellen, halten Sie sich bitte vom Gas fern. Gas kann Erfrierungen verursachen, wenn es mit Ihrer Haut in Kontakt kommt. Bevor Sie alte Produkte entsorgen, die nicht mehr verwendet werden sollen:

1. Ziehen Sie den Stecker des Netzkabels aus der Steckdose.
 2. Schneiden Sie das Netzkabel ab und ziehen Sie es zusammen mit dem Stecker aus dem Gerät.
 3. Nehmen Sie die Ablagen und Schubladen nicht aus dem Gerät, um zu verhindern, dass Kinder in das Innere des Geräts gelangen können.
 4. Entfernen Sie die Türen.
 5. Bewahren Sie das Gerät so auf, dass es nicht umgestoßen werden kann.
 6. Erlauben Sie Kindern nicht, mit dem ausrangierten Produkt zu spielen.
- Entsorgen Sie das Gerät nicht, indem Sie es ins Feuer werfen. Es besteht Explosionsgefahr.
 - Wenn ein Schloss an der Tür des Geräts vorhanden ist, bewahren Sie den Schlüssel außerhalb der Reichweite von Kindern auf.

1.7 Sicherheit bei der Lagerung von Lebensmitteln

Bitte beachten Sie die folgenden Warnhinweise, um den Verderb von Lebensmitteln zu vermeiden:

- Wenn Sie die Türen längere Zeit offen stehen lassen, kann die Temperatur im Inneren des Geräts ansteigen.
- Reinigen Sie regelmäßig die zugänglichen Abflusssysteme, die mit den Lebensmitteln in Berührung kommen.
- Reinigen Sie Wassertanks, die 48 Stunden lang nicht benutzt wurden, und Wasserversorgungssysteme, die mehr als 5 Tage lang nicht benutzt wurden.
- Lagern Sie rohe Fleisch- und Fischprodukte in geeigneten Fächern innerhalb des Produkts. So tropft es nicht auf andere Lebensmittel und kommt nicht mit ihnen in Berührung.
- Zwei-Sterne-Gefrierfächer werden für die Lagerung von vorgefüllten Lebensmitteln, die Herstellung und Lagerung von Eis und Speiseeis verwendet.
- Ein-, Zwei- und Drei-Sterne-Fächer sind nicht zum Einfrieren frischer Lebensmittel geeignet.
- Wenn das Gefrierschrank längere Zeit nicht benutzt wurde, schalten Sie es aus, tauen Sie es ab, reinigen und trocknen Sie es, um das Gehäuse des Geräts zu schützen.



1.8 Wartungs- und Reini- gungssicherheit

- Ziehen Sie den Netzstecker des Kühlschranks, bevor Sie ihn reinigen oder Wartungsarbeiten durchführen.
 - Ziehen Sie nicht am Türgriff, wenn Sie das Gerät zu Reinigungszwecken bewegen müssen. Ein zu starkes Ziehen am Griff kann zu Verletzungen führen.
 - Halten Sie Ihre Hände usw. nicht unter den Kühlschrank. Es kann zu einem Einklemmen kommen oder scharfe Kanten können Verletzungen verursachen.
 - Reinigen Sie das Gerät nicht, indem Sie Wasser auf das Gerät und in das Innere des Geräts sprühen oder gießen. Es besteht Stromschlag- und Brandgefahr.
 - Verwenden Sie zum Reinigen des Produkts keine scharfen und scheuernden Werkzeuge oder Haushaltsreiniger, Waschmittel, Gas, Benzin, Verdüner, Alkohol, Lacke und ähnliche Substanzen. Verwenden Sie nur Reinigungs- und Pflegemittel, die für die Lebensmittel im Inneren des Geräts unschädlich sind.
- Verwenden Sie zur Reinigung des Geräts und zum Auftauen des Eises im Inneren niemals Dampf oder dampfhaltige Reinigungsmittel. Dampf kommt mit den stromführenden Teilen Ihres Kühlschranks in Berührung und kann einen Kurzschluss oder Stromschlag verursachen.
 - Achten Sie darauf, dass Wasser nicht in die Nähe der Lüftungsöffnungen, der elektronischen Schaltkreise oder der Beleuchtung des Geräts gelangt.
 - Verwenden Sie ein sauberes, trockenes Tuch, um Staub oder Fremdkörper an den Stecker-
spitzen abzuwischen. Verwenden Sie kein nasses oder feuchtes Tuch, um den Stecker zu reinigen. Andernfalls besteht die Gefahr eines Brands oder Stromschlags.



1.9 Entsorgung des alten Produkts

Befolgen Sie bei der Entsorgung Ihres alten Produkts die nachstehenden Anweisungen:

- Um zu verhindern, dass sich Kinder versehentlich in das Gerät einschließen, deaktivieren Sie die Türverriegelung, falls sie vorhanden ist.

- Spritzer von Kühlmittel sind schädlich für die Augen. Beschädigen Sie beim Entsorgen des Geräts keine Teile des Kühlsystems.
- Es kann tödlich sein, wenn das Kompressoröl verschluckt wird oder in die Atemwege eindringt.
- Das Kühlsystem Ihres Produkts enthält R600a-Gas, wie auf dem Typenschild angegeben. Das Gas ist entflammbar. Entsorgen Sie das Gerät nicht, indem Sie es ins Feuer werfen. Es besteht Explosionsgefahr!

2 Umwelthinweise

2.1 Informationen zur Entsorgung:



Ihre Pflichten als Endnutzer

Dieses Elektro- bzw. Elektronikgerät ist mit einer durchgestrichenen Abfalltonne auf Rädern gekennzeichnet. Das Gerät darf deshalb nur getrennt vom unsortierten Siedlungsabfall gesammelt und zurückgenommen werden. Es darf somit nicht in den Hausmüll gegeben werden. Das Gerät kann z.B. bei einer kommunalen Sammelstelle oder ggf. bei einem Vertreiber (siehe unten zu deren Rücknahmepflichten in Deutschland) abgegeben werden.

Das gilt auch für alle Bauteile, Unterbaugruppen und Verbrauchsmaterialien des zu entsorgenden Altgeräts.

Bevor das Altgerät entsorgt werden darf, müssen alle Altbatterien und Altakkumulatoren vom Altgerät getrennt werden, die nicht vom Altgerät umschlossen sind. Das gleiche gilt für Lampen, die zerstörungsfrei aus dem Altgerät entnommen werden können. Der Endnutzer ist zudem selbst dafür verantwortlich, personenbezogene Daten auf dem Altgerät zu löschen.



Hinweise zum Recycling

Helfen Sie mit, alle Materialien zu recyceln, die mit diesem Symbol gekennzeichnet sind. Entsorgen Sie solche Materialien, insbesondere Verpackungen, nicht im Hausmüll, sondern über die bereitgestellten Recyclingbehälter oder die entsprechenden örtlichen Sammelsysteme. Recyceln Sie zum Umwelt- und Gesundheitsschutz elektrische und elektronische Geräte.

Rücknahmepflichten der Verreiber

Wer auf mindestens 400 m² Verkaufsfläche Elektro- und Elektronikgeräte vertreibt oder diese gewerblich an Endnutzer abgibt, ist verpflichtet, bei Abgabe eines neuen Gerätes, ein Altgerät des Endnutzers der gleichen Geräteart, das im Wesentlichen die gleichen Funktionen wie das neue Gerät erfüllt, am Ort der Abgabe oder in unmittelbarer Nähe, unentgeltlich zurückzunehmen. Das gilt auch für Verreiber von Lebensmitteln mit einer Gesamtverkaufsfläche von mindestens 800 m², die mehrmals im Kalenderjahr oder dauerhaft Elektro- und Elektronikgeräte anbieten und auf dem Markt bereitstellen. Solche Verreiber müssen zudem auf Verlangen des Endnutzers Altgeräte, die in keiner äußeren Abmessung größer als 25 cm sind, (kleine Elektrogeräte) im Einzelhandelsgeschäft oder in unmittelbarer Nähe hierzu unentgeltlich zurückzunehmen.

men; die Rücknahme darf in diesem Fall nicht an den Kauf eines Elektro- oder Elektronikgerätes verknüpft, kann aber auf drei Altgeräte pro Geräteart beschränkt werden. Ort der Abgabe ist auch der private Haushalt, wenn das neue Elektro- oder Elektronikgerät dorthin geliefert wird; in diesem Fall ist die Abholung des Altgerätes für den Endnutzer kostenlos.

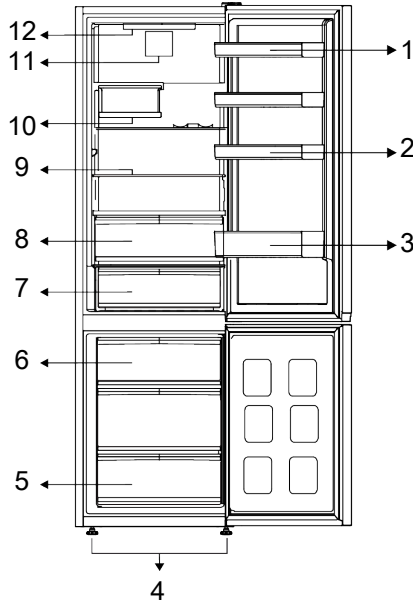
Die vorstehenden Pflichten gelten auch für den Vertrieb unter Verwendung von Fernkommunikationsmitteln, wenn die Vertreiber Lager- und Versandflächen für Elektro- und Elektronikgeräte bzw. Gesamtlager und Versandflächen für Lebensmittel beinhalten, die den oben genannten Verkaufsflächen entsprechen. Die unentgeltliche Abholung von Elektro- und Elektronikgeräten ist dann aber auf Wärmeüberträger (z.B. Kühl-

schränk), Bildschirme, Monitore und Geräte, die Bildschirme mit einer Oberfläche von mehr als 100 cm² enthalten und Geräte beschränkt, bei denen mindestens eine der äußeren Abmessungen mehr als 50 cm beträgt. Für alle übrigen Elektro- und Elektronikgeräte muss der Vertreiber geeignete Rückgabemöglichkeiten in zumutbarer Entfernung zum jeweiligen Endnutzer gewährleisten; das gilt auch für kleine Elektrogeräte (s.o.), die der Endnutzer zurückgeben möchte, ohne ein neues Gerät zu erwerben.

Einhaltung der RoHS-Richtlinie:

Das von Ihnen gekaufte Gerät entspricht der RoHS-Richtlinie der EU (2011/65/EU). Es enthält keinerlei Materialien, die gemäß der Richtlinie als schädlich oder verboten gelten.

3 Ihr Kühlschrank




- 1 * Verstellbare Türrégale
- 3 * Flaschenablage
- 5 * Gefrierfach
- 7 * Kühllagerschublade
- 9 * Verstellbare Regale
- 11 * Lüfter
- 2 * Eierhalter
- 4 * Verstellbare VorderfüÙe
- 6 * Eisbehälter
- 8 * Kühllagerschublade
- 10 * Faltbarer Weinbehälter
- 12 * Beleuchtungslampe

***Optional:** Die Abbildungen in dieser Bedienungsanleitung sind schematisch und stimmen möglicherweise nicht genau mit Ihrem

Produkt überein. Wenn Ihr Produkt nicht die relevanten Teile enthält, beziehen sich die Informationen auf andere Modelle.

4 Installation

 Lesen Sie zuerst den Abschnitt „Sicherheitshinweise“!

4.1 Richtiger Ort für die Installation

Wenden Sie sich für die Montage des Geräts an den autorisierten Kundendienst. Um das Gerät für die Installation vorzubereiten, lesen Sie die Informationen in der Bedienungsanleitung und stellen Sie sicher, dass die Strom- und Wasserleitungen den Anfor-

derungen entsprechen. Wenn dies nicht der Fall ist, wenden Sie sich an einen Elektriker und einen Monteur, um die Versorgungsleitungen entsprechend zu installieren.

! WARNUNG:
Der Hersteller haftet nicht für alle Schäden, die entstehen, wenn diese Arbeiten von nicht dazu befugten Personen aufgeführt werden.

**WARNUNG:**

Während der Aufstellung muss der Gerätenetzstecker gezogen sein. Andernfalls besteht ein ernsthaftes Risiko für schwere Verletzungen mit Todesfolge.

**WARNUNG:**

Sollte die Eingangsöffnung am Aufstellungsort zu schmal für das Gerät sein, bauen Sie die Gerätetür ab und drehen Sie das Gerät auf die Seite. Wenden Sie sich an den zuständigen Kundendienst, wenn sich das Problem so nicht lösen lässt.

- Stellen Sie das Gerät auf eine ebene Fläche, um Vibrationen zu vermeiden.
- Stellen Sie das Produkt mindestens 30 cm von Heizung, Herd und ähnlichen Wärmequellen und mindestens 5 cm von Elektroöfen entfernt auf.
- Setzen Sie das Produkt keinem direkten Sonnenlicht aus und bewahren Sie es nicht in feuchten Umgebungen auf.
- Ihr Produkt benötigt eine ausreichende Luftzirkulation, um effizient zu funktionieren. Wenn das Produkt in eine Nische gestellt wird, denken Sie daran, mindestens 5 cm Abstand zwischen dem Produkt und der Decke, der Rückwand und den Seitenwänden zu lassen.
- Prüfen Sie, ob die Rückwand-Abstands-schutzkomponente an ihrem Standort vorhanden ist (falls mit dem Produkt geliefert).
- Wenn die Komponente nicht verfügbar ist oder verloren geht oder heruntergefallen ist, positionieren Sie das Produkt so, dass zwischen der Rückseite des Produkts und der Wand des Raums mindestens 5 cm Abstand verbleiben. Der Freiraum an der Rückseite ist wichtig für den effizienten Betrieb des Produkts.

4.2 Elektrischer Anschluss



Verwenden Sie für den Anschluss an des Stromnetz keine Verlängerungskabel oder Mehrfachsteckdosen.



Ein beschädigtes Kabel darf nur vom autorisierten Kundendienst ausgetauscht werden.



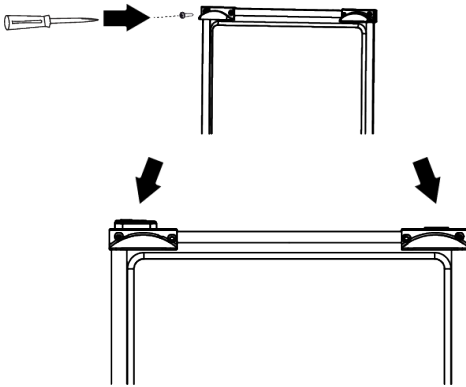
Wenn Sie zwei Kühlschränke nebeneinander aufstellen, müssen Sie einen Mindestabstand von wenigstens 4 cm zwischen beiden Geräten einhalten.

- Unser Unternehmen übernimmt keine Haftung für alle Schäden aufgrund einer Nutzung ohne Erdung oder eines Stromanschlusses, der nicht den örtlichen Vorschriften genügt.
- Das Netzkabel muss nach der Aufstellung gut zugänglich sein.
- Verwenden Sie keinen Mehrfachstecker mit oder ohne Verlängerungskabel zwischen der Steckdose und dem Kühlschrank.

4.3 Anbringen der Kunststoffkeile

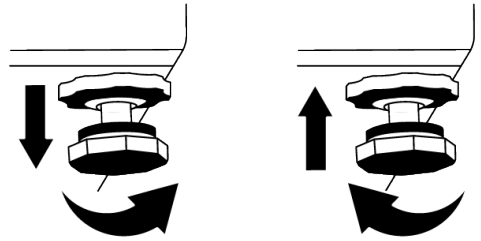
Verwenden Sie die mit dem Gerät gelieferten Kunststoffkeile, um ausreichend Platz für die Luftzirkulation zwischen dem Gerät und der Wand zu schaffen.

1. Um die Keile zu befestigen, entfernen Sie die Schrauben an den jeweiligen Gerätestellen und verwenden die mit den Kunststoffkeilen gelieferten Schrauben.
2. Befestigen Sie 2 Kunststoffkeile an der Lüftungsabdeckung, so wie in der Abbildung dargestellt.



4.4 Einstellen der FüÙe

Wenn sich das Gerat nicht im Gleichgewicht befindet, stellen Sie die vorderen verstellbaren FuÙe ein, indem Sie sie nach rechts oder links drehen.



4.5 Warnung vor heiÙer Oberflache!

Die Seitenwande Ihres Produkts sind mit Kuhlerrohren ausgestattet, um das Kuhlsystem zu verbessern. Hochdruckflussigkeit kann durch diese Oberflachen flieÙen und heiÙe Oberflachen an den Seitenwanden verursachen. Dies ist normal und erfordert keine Wartung. Seien Sie vorsichtig, wenn Sie diese Bereiche kontaktieren.

5 Vorbereitung



Lesen Sie zuerst den Abschnitt „Sicherheitshinweise“!

5.1 Was man zum Energiesparen tun kann

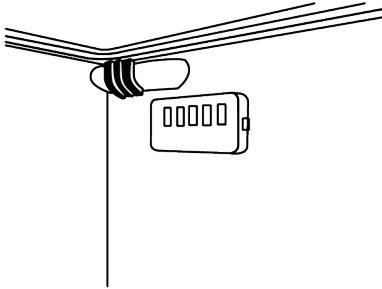


Der Anschluss des Produkts an elektronische Energiesparsysteme ist schadlich, da er das Produkt beschadigen kann.

- Dieses Kuhlgerat ist nicht fur die Verwendung als Einbaugerat vorgesehen
 - Lassen Sie die Kuhlschrantur nicht uber langere Zeit hinweg offen.
 - Stellen Sie keine heiÙen Speisen oder Geranke in den Kuhlschrank.
 - Uberfullen Sie den Kuhlschrank nicht. Ein Blockieren der inneren Luftzirkulation verringert die Kuhlleistung.
 - Da heiÙe und feuchte Luft nicht direkt in Ihr Produkt eindringt, wenn die Turen nicht geoffnet werden, optimiert sich Ihr Produkt unter Bedingungen, die zum Schutz Ihrer Lebensmittel ausreichen.
- Unter diesen Umstanden arbeiten Funktionen und Komponenten wie Kompressor, Lufte, Heizung, Abtaugung, Beleuchtung, Display usw. bedarfsgerecht und mit minimalem Energieverbrauch.
- Falls mehrere Optionen vorhanden sind, mussen Glasboden so platziert werden, dass die Luftauslasse an der Ruckwand nicht blockiert werden und vorzugsweise so, dass die Luftauslasse unterhalb des Glasbodens bleiben. Diese Kombination kann dazu beitragen, die Luftverteilung und die Energieeffizienz zu verbessern.
 - Es wird dringend empfohlen, bei der Lagerung die untere Schublade zu verwenden.
 - Abhangig von den Eigenschaften des jeweiligen Modells kann das Auftauen von Tiefkuhlware im Frischfach Energie sparen und die Qualitat der auftauenden Lebensmittel bewahren.
 - Um die maximale Menge an Lebensmitteln in das Gefrierfach Ihres Kuhlschranks zu laden, sollten die oberen

Schubladen herausgenommen und die Lebensmittel auf die Draht-/Glasböden gelegt werden.

- Achten Sie darauf, dass die Lebensmittel nicht mit dem unten beschriebenen Temperatursensor des Frischefachs in Berührung kommen.



- Wenn sie mit dem Sensor in Berührung kommen, kann der Energieverbrauch des Geräts steigen.
- Lebensmittel sind in den Schubladen im Kühlfach aufzubewahren, um Energie zu sparen und Lebensmittel unter besseren Bedingungen zu schützen.
- Lebensmittelverpackungen dürfen nicht in direktem Kontakt mit dem Temperatursensor im Gefrierfach stehen.

5.2 Erste Verwendung

Bevor Sie den Kühlschrank das erste Mal verwenden, achten Sie darauf, alle Vorbereitungen gemäß dieser Bedienungsanleitung, insbesondere wie in den Abschnitten „Wichtige Hinweise zur Sicherheit und zum Umweltschutz“ und „Aufstellung“ beschrieben, durchzuführen.

- Lassen Sie das leere Gerät mindesten 6 lang laufen und öffnen Sie dabei nicht Tür, sofern es nicht absolut notwendig sein sollte.
- Die Temperaturänderung, die durch das Öffnen und Schließen der Tür während der Verwendung des Produkts verursacht wird, kann normalerweise zu Kondens-

wasserbildung führen, die auf Tür-/Korpusregalen und Glaswaren in das Produkt gestellt werden.

i Wenn der Kompressor sich einschaltet, ist ein Geräusch zu hören. Es ist normal, dass das Produkt Geräusche macht, auch wenn der Kompressor nicht läuft, da im Kühlsystem Flüssigkeit und Gas komprimiert werden können.

i Es ist normal, dass die vorderen Ränder des Kühlschranks warm sind. Diese sind so gestaltet, dass sie erwärmen, um Kondensation zu vermeiden.

i Bei einigen Modellen schaltet sich die Anzeigetafel 1 Minuten nach dem Schließen der Tür automatisch aus. Sie wird wieder aktiviert, wenn die Tür offen ist oder eine beliebige Taste gedrückt wird.

5.3 Klimaklasse und Definitionen

Bitte beachten Sie die Klimaklasse auf dem Typenschild Ihres Geräts. Je nach Klimaklasse ist eine der folgenden Informationen auf Ihr Gerät anwendbar.

- **SN:** Langfristig gemäßigtes Klima: Dieses Kühlgerät ist für den Einsatz bei Umgebungstemperaturen zwischen 10 °C und 32 °C ausgelegt.
- **N:** Gemäßigtes Klima: Dieses Kühlgerät ist für den Einsatz bei Umgebungstemperaturen zwischen 16°C und 32 °C ausgelegt.
- **ST:** Subtropisches Klima: Dieses Kühlgerät ist für den Einsatz bei Umgebungstemperaturen zwischen 16°C und 38°C ausgelegt.
- **T:** Tropisches Klima: Dieses Kühlgerät ist für den Einsatz bei Umgebungstemperaturen zwischen 16°C und 43°C ausgelegt.

6 Produktbedienung



Lesen Sie zuerst den Abschnitt „Sicherheitshinweise“!

- Verwenden Sie keine mechanischen Werkzeuge oder andere Werkzeuge als die Empfehlungen des Herstellers, um den Auftauvorgang zu beschleunigen.
- Nutzen Sie Teile des Kühlschranks, wie z.B. die Tür oder die Schubladen nicht als Unterstützung oder als Trittbrett. Dies kann dazu führen, dass das Produkt umkippt oder seine Komponenten beschädigt werden.
- Das Gerät darf nur zur Aufbewahrung von Lebensmitteln verwendet werden.

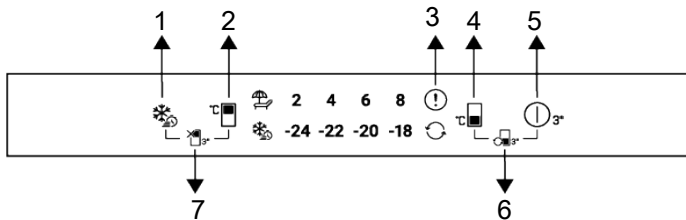
- Schalten Sie das Wasserventil aus, wenn Sie nicht zu Hause sind (z.B. im Urlaub) und die Eismaschine oder den Wasserspender längere Zeit nicht benutzen. Andernfalls können Wasserlecks auftreten.

Pausieren des Programms

- Wenn Sie das Gerät für längere Zeit nicht benutzen, ziehen Sie den Stecker aus der Steckdose.
- Entfernen Sie die Lebensmittel, um Gerüche zu vermeiden.
- Warten Sie, bis das Eis geschmolzen ist, reinigen Sie den Innenraum und lassen Sie ihn trocknen; lassen Sie die Türen offen, um eine Beschädigung der inneren Kunststoffteile zu vermeiden.

7 Verwendung des Geräts

7.1 Bedienfeld des Geräts



1 Schnellgefriertaste

3 Fehlerzustandsanzeige

5 Produktabschalttaste

7 Funktionstaste Kühlfach Aus (Urlaub)

2 Temperatureinstellungstaste für das Kühlfach

4 Temperatureinstellungstaste für das Gefrierfach

6 Fachumwandlungstaste



Lesen Sie zuerst den Abschnitt „Sicherheitshinweise“.

Die auditiven und visuellen Funktionen der Anzeigetafel erleichtert Ihnen die Nutzung des Kühlschranks.

***Optional:** Die angezeigten Funktionen sind optional, es können Form- und Lageunterschiede bei den Funktionen auf der Anzeige Ihres Geräts auftreten.

1 Schnellgefriertaste

Wenn die Schnellgefriertaste gedrückt wird, leuchtet das Schnellgefriersymbol und die Schnellgefrierfunktion wird aktiviert. Die Gefrierfachtemperatur ist auf -27 °C eingestellt. Drücken Sie die Taste erneut, um die Funktion abzubrechen. Die Schnellgefrierfunktion wird nach einer gewissen Zeit automatisch aufgehoben. Um eine große

Menge an frischen Lebensmitteln einzufrieren, drücken Sie die Schnellgefriertaste, bevor Sie die Lebensmittel in das Gefrierfach legen.

2. Temperatureinstellungstaste für das Kühlfach

Ermöglicht die Einstellung der Temperatur für das Kühlfach. Durch Drücken der Taste kann die Temperatur des Kühlfachs auf Kann auf 8.6.4.2 °C eingestellt werden.

3. Fehlerzustandsanzeige

Diese Anzeige wird aktiviert, wenn der Kühlschrank nicht ausreichend kühlt oder wenn ein Sensorfehler auftritt. Die Temperaturanzeigen des Gefrierfachs und des Kühlschranks blinken in bestimmten Kombinationen. Dadurch wird der Service über den aufgetretenen Fehler informiert. Das Ausrufezeichen kann angezeigt werden, wenn Sie warme Lebensmittel in das Gefrierfach laden oder die Tür längere Zeit offen halten. Dies ist kein Fehler. Diese Warnung wird erlöschen, wenn die Lebensmittel abgekühlt sind oder wenn eine Taste gedrückt wird.

4. Temperatureinstellungstaste für das Gefrierfach

Die Temperatureinstellung erfolgt für das Gefrierfach. Die Temperatur des Gefrierfachs kann durch Drücken der Taste auf -18, -20, -22, -24 °C eingestellt werden.

5. Produktabschalttaste

Wenn diese Taste 3 Sekunden lang gedrückt wird, schaltet das Gerät in den Aus-Zustand. In diesem Zustand kühlt der Kühl-

schrank nicht; wenn die Taste erneut 3 Sekunden lang gedrückt wird, beginnt der Kühlschrank seinen normalen Betrieb.

6. Fachumwandlungstaste

Durch 3 Sekunden langes Drücken der Fachumschalttaste kann das Gefrierfach als Kühlfach, geschlossenes Fach oder Gefrierfach eingestellt werden.

Bei Betrieb als Gefrierfach leuchtet der gewählte Temperaturwert des Gefrierfachs und das Umstellungssymbol ist ausgeschaltet.

Beim Betrieb als Kühlfach sind alle Leuchten für die Temperaturwerte des Gefrierfachs ausgeschaltet und das Umstellungssymbol leuchtet. Das Fach wird als Kühlfach betrieben.

Wenn das Gefrierfach ausgeschaltet ist, sind alle Leuchten für die Temperaturwerte des Gefrierfachs ausgeschaltet und das Umstellungssymbol ist erloschen. Bei dieser Auswahl befinden sich keine Lebensmittel im Fach.

7. Funktionstaste Kühlfach Aus (Urlaub)

Drücken Sie die Taste 3 Sekunden lang, um die Urlaubsfunktion zu aktivieren. Der Urlaubsmodus ist aktiviert und das Urlaubssymbol leuchtet. Alle Symbole auf der Temperaturanzeige des Kühlfachs erlöschen und das Kühlfach kühlt nicht aktiv. Wenn diese Funktion aktiviert ist, sollten Sie keine Lebensmittel im Kühlfach aufbewahren. Die anderen Fächer kühlen entsprechend ihrer eingestellten Temperatur weiter ab. Drücken Sie die Taste erneut 3 Sekunden lang, um diese Funktion abzubrechen.

7.2 Aufbewahrung von Lebensmitteln im Kühlfach

Aufbewahrung von Lebensmitteln im Kühlfach

- Die Temperatur des Fachs steigt stark an, wenn die Fachtür häufig geöffnet und geschlossen wird und lange Zeit offen bleibt; dies kann die Lebensdauer der Lebensmittel verkürzen und zum Verderben der Lebensmittel führen.

- Um Geruchs- und Geschmacksveränderungen zu vermeiden, sollten die Lebensmittel in geschlossenen Behältern aufbewahrt werden.
- Lagern Sie nicht zu viele Lebensmittel in Ihrem Kühlschrank. Um eine bessere und gleichmäßige Kühlung zu erreichen, legen

Sie die Lebensmittel getrennt voneinander so ein, dass die kalte Luft durch sie hindurchströmen kann.

- Sorgen Sie für Luftzirkulation, indem Sie einen Zwischenraum zwischen den Lebensmitteln und der Innenwand lassen. Wenn Sie die Lebensmittel an die Rückwand lehnen, können sie einfrieren.
- Bringen Sie gekochte warme Speisen auf Zimmertemperatur, bevor Sie sie in den Kühlschrank stellen. Dann können Sie die lauwarmen Speisen in die unteren Fächer des Kühlschranks stellen. Stellen Sie die lauwarmen Speisen nicht in die Nähe von Lebensmitteln, die leicht verderben können.
- Tauen Sie Ihre gefrorenen Lebensmittel im Frischhaltefach auf. Auf diese Weise können Sie das Frischhaltefach durch die Verwendung von Tiefkühlkost kühlen und Energie sparen.
- Lagern Sie unreife Südfrüchte (Mango, Melonen, Papaya, Banane, Ananas) im Kühlschrank, um den Reifeprozess zu beschleunigen. Dies ist nicht empfehlenswert, da sich dadurch die Lagerzeit verkürzt.
- Zwiebeln, Knoblauch, Ingwer und anderes Wurzelgemüse sollten Sie nicht im Kühlschrank, sondern in einem dunklen und kalten Raum aufbewahren.
- Wenn Sie feststellen, dass ein Lebensmittel im Kühlschrank verdorben ist, werfen Sie es weg und reinigen Sie das Zubehör, das mit dem Lebensmittel in Berührung gekommen ist.
- Um Speisen wie Suppen und Eintöpfe, die in großen Töpfen gekocht werden, schnell abzukühlen, können Sie sie in eigenen flachen Behältern in den Kühlschrank stellen.
- Stellen Sie unverpackte Lebensmittel nicht in die Nähe von Eiern.
- Bewahren Sie Obst und Gemüse getrennt auf und lagern Sie jede Sorte zusammen (z.B. Äpfel mit Äpfeln, Karotten mit Karotten).
- Nehmen Sie grünes Gemüse aus dem Plastikbeutel und legen Sie es in den Kühlschrank, nachdem Sie es in ein Papiertuch oder ein Trockentuch eingewickelt haben. Wenn Sie diese Art von Lebensmitteln waschen, bevor Sie sie in den Kühlschrank stellen, denken Sie daran, sie zu trocknen.
- Sie können sowohl eine feuchte Umgebung schaffen als auch für einen Luftstrom sorgen, indem Sie Obst und Gemüse, die zum Austrocknen neigen, in perforierten oder unverschlossenen Plastiktüten aufbewahren.
- Abgesehen von den Fällen, in denen in der Umgebung extreme Bedingungen herrschen, bleiben die Lebensmittel sowohl im Frischfach als auch im Gefrierfach länger frisch, wenn Sie Ihr Produkt (auf der Tabelle der empfohlenen Werte) auf die angegebenen Werte einstellen.

Lagern Sie Lebensmittel je nach ihren Eigenschaften an verschiedenen Orten:	
Essen	Standort
Eier	Türregal
Molkereiprodukte (Butter, Käse)	Falls verfügbar, Null-Grad-Fach (für Frühstücksnahrung)
Obst, Gemüse und Grünzeug	Obst-/Gemüsefach, Gemüse- oder EverFresh+-Fach (sofern vorhanden)

Lagern Sie Lebensmittel je nach ihren Eigenschaften an verschiedenen Orten:	
Essen	Standort
Frisches Fleisch, Geflügel, Fisch, Wurst usw. Gekochte Lebensmittel	Falls verfügbar, Null-Grad-Fach (für Frühstücksnahrung)
Servierfertige Lebensmittel, verpackte Produkte, Konserven und eingelegte Lebensmittel	Obere Regale oder Türregal
Getränke, Flaschen, Gewürze und Snacks	Türregal

Lagerung von Lebensmitteln im Gefrierfach

- Sie können die Schnellgefrierfunktion 4-6 Stunden vor dem Einfrieren aktivieren und eine schnellere Abkühlung vornehmen.
- Bringen Sie warme Speisen auf Raumtemperatur, bevor Sie sie in das Gefrierfach legen.
- Lebensmittel, die eingefroren werden sollen, müssen entsprechend der zu verzehrenden Größe in Portionen aufgeteilt und in separaten Verpackungen eingefroren werden.
- Es wird empfohlen, die Lebensmittel zu verpacken, bevor sie in den Gefrierschrank gelegt werden.
- Um zu verhindern, dass die Lagerzeit abläuft, schreiben Sie das Einfrierdatum, die Uhrzeit und den Namen des Produkts auf die Verpackung, entsprechend der Lagerzeit der verschiedenen Lebensmittel.
- Verbrauchen Sie die aufgetauten Lebensmittel schnell. Aufgetaute Lebensmittel können nicht wieder eingefroren werden, es sei denn, sie werden gekocht. Es ist nicht sicher, die wieder eingefrorenen frischen Lebensmittel nach dem Auftauen ohne Kochen zu verzehren.
- Bringen Sie beim Einfrieren frischer Lebensmittel diese nicht mit bereits gefrorenen Lebensmitteln in Kontakt. Andernfalls werden die gefrorenen Lebensmittel aufgetaut.

Aufbewahrung der Lebensmittel, die tiefgekühlt verkauft werden

- Befolgen Sie stets die Anweisungen des Herstellers in Bezug auf die Zeit, in der Sie Ihre Lebensmittel aufbewahren müssen. Überschreiten Sie nicht die in diesen Anweisungen angegebene Zeit!
- Um die Qualität der Lebensmittel zu schützen, sollten Sie die Zeitspanne zwischen Kauf und Lagerung so kurz wie möglich halten.
- Kaufen Sie Tiefkühlkost, die bei -18 °C oder niedrigeren Temperaturen gelagert wird.
- Vermeiden Sie den Kauf von Lebensmitteln, deren Verpackungen mit Eis usw. bedeckt sind. Dies bedeutet, dass das Produkt teilweise aufgetaut und wieder eingefroren werden könnte. Die Temperatur wirkt sich auf die Qualität der Lebensmittel aus.
- Überschreiten Sie nicht die vom Lebensmittelhersteller empfohlene Lagerzeit. Nehmen Sie nur so viele Lebensmittel aus dem Gefrierschrank, wie Sie benötigen.
- Abgesehen von den Fällen, in denen in der Umgebung extreme Bedingungen herrschen, bleiben die Lebensmittel sowohl im Frischfach als auch im Gefrierfach länger frisch, wenn Sie Ihr Produkt (auf der Tabelle der empfohlenen Werte) auf die angegebenen Werte einstellen.
- Wenn das Frischhaltefach auf eine niedrigere Temperatur eingestellt ist, kann frisches Obst und Gemüse teilweise gefroren sein.

Gefrierfach Einstellung	Kühlfach Einstellung	Bemerkungen
-22°C	4°C	Das ist die standardmäßige, empfohlene Einstellung. Diese Einstellung wird empfohlen, wenn die Umgebungstemperatur unter 30°C liegt.
-22 oder -24 °C	4°C	Diese Einstellungen werden für Umgebungstemperaturen empfohlen, die 30°C überschreiten.
Schnelleinfrieren	4°C	Verwenden Sie sie, wenn Sie Ihre Lebensmittel in kurzer Zeit einfrieren möchten. Nach Beendigung des Vorgangs werden die Einstellungen des Produkts auf die vorherige Position zurückgesetzt.
-18°C oder kälter	2°C	Verwenden Sie diese Einstellungen, wenn Sie überzeugt sind, dass das Frischfach, aufgrund der Umgebungstemperatur oder dem Öffnen der Tür nicht kalt genug sind.

Gefrierschrank Details

Gemäß den IEC 62552-Standards muss das Gefrierschrank über eine Kapazität zum Einfrieren von 4,5 kg an Lebensmitteln bei Temperaturen von -18°C oder niedriger von 25°C in 24 Stunden pro jeweils 100 Liter an Gefrierfachvolumen verfügen.

Lebensmittel können über eine längere Zeit hinweg nur bei Temperaturen von weniger als -18 °C gelagert werden.

Sie können die Lebensmittel über Monate frisch halten (im Gefrierschrank bei Temperaturen von oder niedriger als -18 °C Grad). Die einzufrierenden Lebensmittel dürfen nicht mit bereits tiefgekühlten Produkten in Berührung kommen, um ein teilweises Auftauen zu verhindern.

Blanchieren Sie das Gemüse und gießen Sie das Wasser ab, um die Lagerzeit bei Tiefkühlung zu verlängern. Legen Sie das Gefriergut nach dem Abgießen in luftdichte Verpackungen und dann in das Gefrierschrank. Bananen, Tomaten, Salat, Sellerie, gekochte Eier, Kartoffeln und vergleichbare Lebensmittel dürfen nicht eingepackt werden. Wenn diese Lebensmittel eingefroren werden, werden nur der Nährwert und die Verzehreigenschaften beeinträchtigt. Eine Verrottung, die die menschliche Gesundheit bedroht, kommt nicht in Frage.

Platzierung der Lebensmittel

Gefrierfacheinschübe: Diverse Gefriergut wie Fleisch, Fisch, Eiscreme, Gemüse usw.

Kühlfacheinschübe: Lebensmittel in Töpfen, Behältern mit Deckeln und Verschlusskappen, sowie Eier (geschlossenen Gefäßen)

Türein Schubes im Kühlfach: In kleinen Verpackungen befindliche Lebensmittel oder Getränke

Gemüsefach: Gemüse und Früchte

Fach für frische Lebensmittel: Feinkostprodukte (Brotaufstriche, Fleischprodukte für den raschen Verbrauch)

7.3 Gemüsefach

Das Gemüsefach im Kühlschranks hält das Gemüse frisch, indem ihre Feuchtigkeit erhalten bleibt. Für diesen Zweck ist die Zirkulation der Kaltluft im Gemüsefach intensiver. Lagern Sie Obst oder Gemüse in diesem Fach. Lagern grünblättriges Gemüse getrennt von Früchten, um deren Leben zu verlängern.

7.4 Feuchtigkeitsregulierter Gemüsefach

Everfresh

Mit dem feuchtigkeitsregulierten Gemüsefach wird die Feuchtigkeit von Gemüse und Obst unter Kontrolle gehalten und die Lebensmittel bleiben länger frisch.

Wir empfehlen Ihnen, Blattgemüse wie Salat, Spinat und ähnliches Gemüse, das empfindlich auf Feuchtigkeitsverlust reagiert, nicht aufrecht auf den Wurzeln, sondern möglichst waagrecht in das Gemüsefach zu legen.

Wenn Sie das Gemüse platzieren, legen Sie schweres und hartes Gemüse unten und leichtes und weiches oben, wobei Sie das spezifische Gewicht des Gemüses berücksichtigen.

Lassen Sie Gemüse nie in Plastiktüten im Gemüsefach liegen. Wenn Sie sie in Plastiktüten lassen, verrottet das Gemüse in kurzer Zeit.

Verwenden Sie in Situationen, in denen der Kontakt mit anderem Gemüse nicht bevorzugt wird, Verpackungsmaterialien wie Papier mit einer bestimmten Porosität in Bezug auf die Hygiene.

Legen Sie Früchte mit einer hohen Ethylenproduktion wie Birne, Aprikose, Pfirsich und insbesondere Apfel nicht mit anderen Gemüse- und Obstsorten in das gleiche Gemüsefach. Das aus diesen Früchten austretende Ethylen kann dazu führen, dass anderes Gemüse und Obst schneller reift und in kürzerer Zeit verrottet.

7.5 Gemüsefach-Technologien

Blaue Beleuchtung

Obst und Gemüse, die im Gemüsefach gelagert werden, das mit blaues Licht beleuchtet wird, setzen ihre Photosynthese durch den Wellenlängeneffekt des blauen Lichts fort und bewahren so ihren Vitamingehalt.

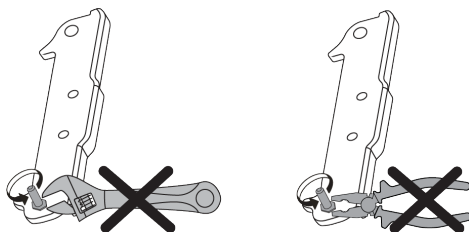
HarvestFresh

Obst und Gemüse, im Gemüsefach gelagert werden, das mit der HarvestFresh -Technologie beleuchtet wird, bewahren ihren Vitamingehalt länger dank der blauen, grünen, roten Lichter und dunklen Zyklen, die einen Tageszyklus simulieren.

Wenn die Tür Ihres Kühlschranks während der Dunkelperiode der HarvestFresh -Technologie geöffnet wird, erkennt Ihr Kühlschrank dies automatisch und beleuchtet das Gemüsefach jeweils für Ihre Zweckmäßigkeit mit einem der blauen, grünen oder roten Lichter. Nachdem Sie die Kühlschranktür geschlossen haben, wird die Dunkelumlauftzeit fortgesetzt, was die Nachtzeit in einem Tageszyklus darstellt.

7.6 Umkehren der Türöffnungsseite

Die Türöffnungsseite Ihres Kühlschranks kann je nach Aufstellort umgedreht werden. Wenn Sie dies benötigen, sollten Sie unbedingt den nächsten autorisierten Service anrufen.



7.7 Alarm bei offener Tür

Das Türöffnungswarnsystem Ihres Kühlschranks kann sich je nach Modell unterscheiden.

Version 1;

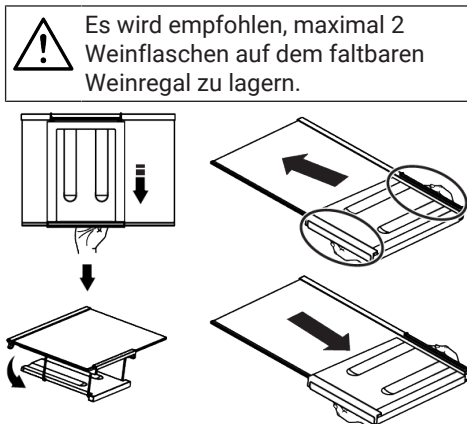
Bleibt die Tür des Geräts für eine bestimmte Zeit (zwischen 60 s und 120 s) offen, ertönt ein akustisches Warnsignal; je nach Produktmodell kann auch ein optisches Warnsignal (Lichtblitz) angezeigt werden. Wenn Sie die Tür des Geräts schließen oder eine Taste auf dem Bildschirm des Geräts drücken (falls vorhanden), wird der Warnton beendet.

Version 2;

Wenn die Tür des Geräts für eine bestimmte Zeit (zwischen 60 s und 120 s) offen bleibt, ertönt der Türöffnungsalarm. Der Türöffnungsalarm wird schrittweise ausgelöst. Zunächst ertönt ein akustisches Warnsignal. Wenn die Tür nach 4 Minuten immer noch nicht geschlossen ist, wird eine optische Warnung (Blinklicht) aktiviert. Der Türöffnungsalarm wird für eine bestimmte Zeit (zwischen 60 s und 120 s) verzögert, wenn eine beliebige Taste auf dem Produktbildschirm gedrückt wird (falls vorhanden). Danach beginnt der Vorgang von neuem. Wenn die Gerätetür geschlossen ist, wird der Türöffnungsalarm aufgehoben.

7.8 Faltbares Weinregal

Er ermöglicht es dem Benutzer, bei Bedarf Weinflaschen zu lagern. Um das Regalteil zu benutzen, fassen Sie den Kunststoffteil und ziehen Sie ihn vorsichtig nach unten. Jetzt können Sie das faltbare Weinregal benutzen.



Um das Weinregal zu gruppieren, nehmen Sie zunächst die Glasablage aus dem Kühlschrank. Legen Sie es auf das Glasregal, indem Sie das Kunststoffteil durch die vorderen

ren und hinteren Rillen schieben, wie auf dem Bild gezeigt. Das Produkt ist dann mit dem klappbaren Weinregal einsatzbereit. Um das faltbare Weinregal zu entnehmen, entnehmen Sie zuerst das Glasregal aus dem Kühlschrank. Greifen Sie dann das Kunststoffteil und ziehen Sie es in eine beliebige Richtung. Sie können das Produkt nun bei Bedarf auch ohne klappbares Weinregal verwenden.

7.9 Auswechseln der Beleuchtungslampe

Rufen Sie den autorisierten Kundendienst an, wenn die Glühbirne/LED für die Beleuchtung Ihres Kühlschranks ausgetauscht werden soll.

Die in diesem Gerät verwendeten Lampen können nicht für die Hausbeleuchtung verwendet werden. Die beabsichtigte Verwendung dieser Lampe soll dem Benutzer helfen, Lebensmittel sicher und bequem in den Kühl- / Gefrierschrank zu stellen.

7.10 AeroFlow

Es handelt sich um ein Luftverteilungssystem, das für eine gleichmäßige Temperaturverteilung sorgt. Durch die Luftzirkulation wird eine gleichmäßige Temperaturverteilung im Frischhaltefach gewährleistet, und die Temperaturschwankungen werden gering gehalten. Es wird keine direkte Luft über die Lebensmittel geblasen, was dazu beiträgt, den Feuchtigkeitsverlust zu verringern. Die Frische der im Frischfach des Kühlschranks gelagerten Lebensmittel bleibt erhalten. Auf diese Weise werden Ihre Lebensmittel bei stabileren Temperaturen gelagert und der Kontakt mit der Luft wird reduziert. Das Austrocknen und Schrumpfen von Lebensmitteln durch Feuchtigkeitsverlust wird verhindert und die Frische bleibt länger erhalten.

8 Wartung und Reinigung



WARNUNG:

Lesen Sie zuerst den Abschnitt „Sicherheitshinweise“!



WARNUNG:

Ziehen Sie den Netzstecker bevor Sie das Kühlschrankschrank reinigen.

- Verwenden Sie zum Reinigen des Produkts keine scharfen oder scheuernden Werkzeuge. Verwenden Sie keine Materialien wie Haushaltsreiniger, Seifen, Reinigungsmittel, Gas, Benzin, Verdünnern, Alkohol, Wachs usw.
- Der Staub muss mindestens einmal im Jahr vom Lüftungsgitter auf der Rückseite des Produkts entfernt werden (ohne die Abdeckung zu öffnen). Reinigen Sie das Produkt nur mit einem trockenen Tuch.
- Achten Sie darauf, dass die Abdeckung der Lampen und sonstige Elektroteile nicht mit Wasser in Kontakt kommen.
- Reinigen Sie die Tür nur mit einem feuchten Tuch. Entfernen Sie den gesamten Inhalt, um die Tür- und Gehäuseabteile zu entfernen. Entfernen Sie die Türabteile, indem Sie sie nach oben heben. Reinigen Sie die Türabteile gründlich und setzen Sie sie sodann wieder ein, indem Sie diese nach unten gleiten lassen.
- Verwenden Sie kein chlorhaltiges Wasser bzw. chlorhaltige Reinigungsmittel zur Reinigung der Außenflächen und chrombeschichteten Teile des Geräts. Chlor lässt metallische Oberflächen rosten.
- Verwenden Sie keine scharfen und abrasiven Werkzeuge, Seife, Reinigungsmittel, Reinigungsmittel, Gas, Benzin, Lacke und ähnliche Substanzen, um eine Verformung des Kunststoffteils und das Entfernen von Drucken auf dem Teil zu verhindern. Verwenden Sie zum Reinigen warmes Wasser und ein weiches Tuch und trocknen Sie es anschließend ab.
- Bei Produkten ohne Frostschutzfunktion können Wassertropfen und Eisbildung bis zu einer Fingerdicke an der Rückwand

des Gefrierfachs auftreten. Nicht reinigen und niemals Öle oder ähnliche Materialien auftragen.

- Verwenden Sie ein leicht angefeuchtetes Mikrofasertuch, um die Außenfläche des Produkts zu reinigen. Schwämme und andere Arten von Reinigungskleidung können Kratzer verursachen.
- Um alle entfernbaren Komponenten während der Reinigung der Innenfläche des Produkts zu reinigen, waschen Sie diese Komponenten mit einer milden Lösung aus Seife, Wasser und Karbonat. Gründlich waschen und trocknen. Kontakt von Wasser mit Beleuchtungskomponenten und dem Bedienfeld verhindern.



VORSICHT:

Verwenden Sie auf keiner Innenfläche Essig, Reinigungsalkohol oder andere Reinigungsmittel auf Alkoholbasis.

Außenflächen aus Edelstahl

Verwenden Sie ein nicht scheuerndes Reinigungsmittel aus rostfreiem Stahl und tragen Sie es mit einem weichen, fusselfreien Tuch auf. Wischen Sie zum Polieren die Oberfläche vorsichtig mit einem mit Wasser angefeuchteten Mikrofasertuch ab und verwenden Sie eine trockene Poliergämsse. Folgen Sie immer den Adern des Edelstahls.

Gerüche verhindern

Das Gerät wurde ohne die Verwendung von Geruch erzeugenden Materialien hergestellt. Jedoch kann die unsachgemäße Lagerung von Lebensmitteln wie auch eine unzureichende Reinigung der Innenräume zur Entstehung von Gerüchen führen.

- Um dies zu vermeiden, sollten Sie den Innenraum mit kohlenstoffhaltigem Wasser alle vierzehn Tage reinigen.

- Bewahren Sie die Lebensmittel in versiegelten Behältern auf, da Mikroorganismen, die von Lebensmitteln in nicht versiegelten Behältern stammen, einen schlechten Geruch verursachen.
- Bewahren Sie keine verdorbenen Lebensmittel bzw. solche mit abgelaufenem Haltbarkeitsdatum im Kühlschrank auf.

9 Fehlerbehebung

Prüfen Sie diese Liste, bevor Sie sich an den Kundendienst wenden. So sparen Sie Zeit und Geld. Diese Liste enthält häufige Beanstandungen, die nicht auf Verarbeitungs- oder Materialfehler zurückzuführen sind. Bestimmte hier aufgeführte Merkmale treffen möglicherweise nicht auf Ihr Produkt zu.

Der Kühlschrank funktioniert nicht.

- Der Netzstecker ist nicht vollständig eingesteckt. >>> Stecken Sie den Stecker vollständig in die Steckdose.
- Die Sicherung in der Steckdose, die das Produkt mit Strom versorgt, oder die Hauptsicherung ist durchgebrannt. >>> Prüfen Sie die Sicherung.

Kondenswasser an der Seitenwand des Kühlfachs (MULTI ZONE, COOL CONTROL und FLEXI ZONE).

- Die Tür wird zu häufig geöffnet. >>> Achten Sie darauf, die Tür des Geräts nicht zu häufig zu öffnen.
- Die Umgebung ist zu feucht. >>> Stellen Sie das Gerät nicht in feuchten Umgebung auf.
- Flüssigkeitshaltige Lebensmittel werden in unverschlossenen Behältern aufbewahrt. >>> Bewahren Sie die Lebensmittel, die Flüssigkeiten enthalten, in versiegelten Behältern auf.
- Die Tür des Geräts steht offen. >>> Lassen Sie die Tür des Geräts nicht für längere Zeit offen.
- Der Thermostat ist auf eine sehr kühle Temperatur eingestellt. >>> Stellen Sie den Thermostat auf eine angemessene Temperatur ein.

Schutz der Kunststoffoberflächen

Auf Kunststoffoberflächen ausgelaufenes Öl kann diese beschädigen. Reinigen Sie daher solche Verschmutzungen unverzüglich.

Der Kompressor funktioniert nicht.

- Bei einem plötzlichen Stromausfall oder wenn der Netzstecker gezogen und wieder eingesteckt wird, ist der Gasdruck im Kühlsystem des Geräts nicht ausgeglichen, wodurch die thermische Sicherung des Kompressors ausgelöst wird. Das Gerät schaltet sich nach etwa 6 Minuten wieder ein. Wenn das Gerät nach diesem Zeitraum nicht wieder anläuft, wenden Sie sich an den Kundendienst.
- Die Abtaugung ist aktiv. >>> Dies ist normal für ein vollautomatisches Abtaugungsprodukt. Die Abtaugung wird regelmäßig durchgeführt.
- Das Gerät ist nicht eingesteckt. >>> Vergewissern Sie sich, dass das Netzkabel eingesteckt ist.
- Die Temperatur ist falsch eingestellt. >>> Wählen Sie die richtige Temperatureinstellung.
- Der Strom ist ausgefallen. >>> Das Gerät arbeitet normal weiter, sobald die Stromversorgung wiederhergestellt ist.

Das Betriebsgeräusch des Kühlschranks nimmt während des Betriebs zu.

- Die Betriebsleistung des Geräts kann je nach den Schwankungen der Umgebungstemperatur variieren. Dies ist normal und stellt keine Fehlfunktion dar.

Der Kühlschrank läuft zu oft oder zu lange.

- Das neue Gerät ist möglicherweise größer als das vorherige. Größere Produkte sind länger in Betrieb.

- Die Raumtemperatur ist möglicherweise zu hoch. >>> Das Gerät läuft normalerweise über längere Zeit bei höherer Raumtemperatur.
- Das Gerät wurde möglicherweise vor kurzem eingesteckt oder es wurde ein neues Lebensmittel hineingelegt. >>> Das Gerät braucht länger, um die eingestellte Temperatur zu erreichen, wenn es kürzlich eingesteckt wurde oder ein neues Lebensmittel hineingelegt wurde. Das ist normal.
- Möglicherweise wurden kürzlich große Mengen heißer Lebensmittel in das Gerät gelegt. >>> Legen Sie keine heißen Lebensmittel in das Gerät.
- Die Türen wurden häufig geöffnet oder für längere Zeit offen gehalten. >>> Die warme Luft, die sich im Inneren bewegt, lässt das Gerät länger laufen. Öffnen Sie die Türen nicht zu häufig.
- Die Tür des Gefrier- oder Kühlgeräts ist möglicherweise angelehnt. >>> Vergewissern Sie sich, dass die Türen vollständig geschlossen sind.
- Das Gerät ist möglicherweise auf eine zu niedrige Temperatur eingestellt. >>> Stellen Sie die Temperatur auf eine höhere Stufe und warten Sie, bis das Produkt die eingestellte Temperatur erreicht hat.
- Die Türdichtung des Kühl- oder Gefrierschranks ist möglicherweise verschmutzt, abgenutzt, kaputt oder nicht richtig eingesetzt. >>> Reinigen oder ersetzen Sie die Dichtung. Eine beschädigte/gerissene Türdichtung führt dazu, dass das Gerät länger laufen muss, um die aktuelle Temperatur zu halten.

Die Temperatur des Gefrierfachs ist sehr niedrig, aber die Temperatur des Kühlfachs ist ausreichend.

- Die Temperatur des Gefrierfachs ist auf eine sehr niedrige Temperatur eingestellt. >>> Stellen Sie die Temperatur des Gefrierfachs auf eine höhere Stufe und prüfen Sie erneut.

Die Temperatur im Kühlfach ist sehr niedrig, aber die Temperatur im Gefrierfach ist ausreichend.

- Die Temperatur des Kühlfachs ist sehr niedrig eingestellt. >>> Stellen Sie die Temperatur des Kühlfachs auf eine höhere Temperatur ein und überprüfen Sie sie erneut.

Die Lebensmittel in den Schubladen des Kühlfachs sind gefroren.

- Die Temperatur des Kühlfachs ist sehr niedrig eingestellt. >>> Stellen Sie die Temperatur des Kühlfachs auf eine höhere Temperatur ein und überprüfen Sie sie erneut.

Die Temperatur im Kühl- oder Gefrierfach ist zu hoch.

- Die Kühlfachtemperatur ist sehr hoch eingestellt. >>> Die Temperatureinstellung des Kühlfachs wirkt sich auf die Temperatur im Gefrierfach aus. Warten Sie, bis die Temperatur der betreffenden Teile ein ausreichendes Niveau erreicht hat, indem Sie die Temperatur der Kühl- oder Gefrierfächer ändern.
- Die Türen wurden häufig geöffnet oder für längere Zeit offen gehalten. >>> Öffnen Sie die Türen nicht zu häufig.
- Die Tür kann angelehnt sein. >>> Schließen Sie die Tür vollständig.
- Das Gerät wurde möglicherweise vor kurzem eingesteckt oder es wurde ein neues Lebensmittel hineingelegt. >>> Das ist normal. Das Gerät braucht länger, um die eingestellte Temperatur zu erreichen, wenn es kürzlich eingesteckt wurde oder ein neues Lebensmittel hineingelegt wurde.
- Möglicherweise wurden kürzlich große Mengen heißer Lebensmittel in das Gerät gelegt. >>> Legen Sie keine heißen Lebensmittel in das Gerät.

Schütteln oder Geräusche.

- Der Untergrund ist nicht eben oder nicht stabil >>> Wenn das Produkt bei langsamer Bewegung wackelt, stellen Sie die Ständer ein, um das Produkt auszubalancieren.

cieren. Vergewissern Sie sich auch, dass der Boden ausreichend stabil ist, um das Gerät zu tragen.

- Auf dem Gerät abgestellte Gegenstände können Geräusche verursachen. >>> Entfernen Sie alle auf dem Gerät abgestellten Gegenstände.
- Das Gerät macht Geräusche von fließenden Flüssigkeiten, Sprüheren usw.
- Die Funktionsweise des Produkts beinhaltet Flüssigkeits- und Gasströme. >>> Dies ist normal und stellt keine Fehlfunktion dar.

Aus dem Gerät kommt ein Windgeräusch.

- Das Produkt verwendet einen Ventilator für den Kühlprozess. Dies ist normal und stellt keine Fehlfunktion dar.

An den Innenwänden des Produkts bildet sich Kondenswasser.

- Heißes oder feuchtes Wetter führt zu verstärkter Vereisung und Kondensation. Dies ist normal und stellt keine Fehlfunktion dar.
- Die Türen wurden häufig geöffnet oder für längere Zeit offen gehalten. >>> Öffnen Sie die Türen nicht zu häufig; wenn sie offen sind, schließen Sie die Tür.
- Die Tür kann angelehnt sein. >>> Schließen Sie die Tür vollständig.

An der Außenseite des Geräts oder zwischen den Türen bildet sich Kondenswasser.

- Die Umgebungsluft kann feucht sein, dies ist bei feuchtem Wetter ganz normal. >>> Das Kondenswasser wird sich auflösen, wenn die Luftfeuchtigkeit reduziert wird.

Der Innenraum riecht schlecht.

- Das Produkt wird nicht regelmäßig gereinigt. >>> Reinigen Sie den Innenraum regelmäßig mit einem Schwamm, warmem Wasser und kohlenensäurehaltigem Wasser.

- Bestimmte Halterungen und Verpackungsmaterialien können Geruch verursachen. >>> Verwenden Sie geruchsneutrale Halterungen und Verpackungsmaterialien.
- Die Lebensmittel wurden in nicht verschlossenen Behältern gelagert. >>> Lagern Sie die Lebensmittel in geschlossenen Behältern. Mikroorganismen können auf unverschlossene Lebensmittel überspringen und unangenehme Gerüche verursachen.
- Entfernen Sie alle abgelaufenen oder verdorbenen Lebensmittel aus dem Gerät.

Die Tür schließt nicht.

- Lebensmittelverpackungen können die Tür blockieren. >>> Entfernen Sie alle Gegenstände, die die Türen blockieren.
- Das Gerät steht nicht ganz aufrecht auf dem Boden. >>> Stellen Sie die Ständer so ein, dass das Gerät im Gleichgewicht ist.
- Die Oberfläche ist nicht eben oder nicht stabil >>> Vergewissern Sie sich, dass die Oberfläche eben und ausreichend stabil ist, um das Produkt zu tragen.

Das Gemüsefach ist eingeklemmt.

- Die Lebensmittel können mit dem oberen Teil der Schublade in Kontakt sein. >>> Ordnen Sie die Lebensmittel in der Schublade neu an.

Temperatur auf der Oberfläche des Produkts.

- Während des Betriebs Ihres Geräts kann zwischen zwei Türen, an den Seitenwänden und im hinteren Grillbereich eine hohe Temperatur festgestellt werden. Dies ist normal und erfordert keine Wartung.

Das Gebläse läuft weiter, wenn die Tür geöffnet wird.

- Das Gebläse kann weiterlaufen, wenn die Gefrierschranktür geöffnet ist.



WARNUNG: Wenn das Problem nach Befolgen der Anweisungen in diesem Abschnitt weiterhin besteht, wenden Sie sich an Ihren Händler oder einen autorisierten Kundendienst. Versuchen Sie nicht, das Gerät zu reparieren. Das ist normal.

HAFTUNGSAUSSCHLUSS / WARNUNG

Einige (einfache) Störungen können vom Endbenutzer in angemessener Weise behoben werden, ohne dass ein Sicherheitsproblem oder eine unsichere Verwendung entsteht, vorausgesetzt, sie werden innerhalb der Grenzen und in Übereinstimmung mit den folgenden Anweisungen durchgeführt (siehe Abschnitt „Selbstreparatur“).

Sofern im Abschnitt „Selbstreparatur“ nicht anders angegeben, müssen Reparaturen von registrierten Fachwerkstätten durchgeführt werden, um Sicherheitsprobleme zu vermeiden. Eine registrierte Fachwerkstatt ist eine Fachwerkstatt, die vom Hersteller gemäß den in den Rechtsakten gemäß der Richtlinie 2009/125/EG beschriebenen Methoden Zugang zu den Anweisungen und der Ersatzteilliste dieses Produkts erhalten hat.

Allerdings kann nur der Kundendienst (d.h. autorisierte Fachwerkstätten), den Sie über die in der Bedienungsanleitung/Garantiekarte angegebene Telefonnummer oder über Ihren Vertragshändler erreichen können, Leistungen im Rahmen der Garantiebedingungen erbringen. Bitte beachten Sie daher, dass bei Reparaturen durch (die nicht autorisiert sind durch) Beko Fachwerkstätten die Garantie erlischt.

Selbstreparatur

Folgende Ersatzteile können vom Endverbraucher selbst repariert werden: Türgriffe, Türscharniere, Ablagen, Körbe und Türdichtungen (eine aktualisierte Liste ist ab dem 1. März 2021 auch unter support.beko.com verfügbar).

Um die Produktsicherheit zu gewährleisten und die Gefahr von schweren Verletzungen zu vermeiden, müssen die genannten Selbstreparaturen gemäß den Anweisungen in der Bedienungsanleitung für Selbstreparaturen oder auf support.beko.com durchgeführt werden. Ziehen Sie zu Ihrer Sicherheit den Netzstecker des Produkts, bevor Sie eine Selbstreparatur durchführen.

Reparatur- und Instandsetzungsversuche durch Endverbraucher für Teile, die nicht in dieser Liste enthalten sind, und/oder die nicht gemäß den Anweisungen in den Benutzerhandbüchern für die Selbstreparatur oder unter support.beko.com durchgeführt werden, können zu Sicherheitsproblemen führen, die nicht von Beko zu verantworten sind, und führen zum Erlöschen der Garantie für das Produkt.

Daher wird den Endnutzern dringend empfohlen, von Reparaturversuchen abzusehen, die nicht in der genannten Ersatzteilliste aufgeführt sind, und sich in solchen Fällen an autorisierte Fachwerkstätten oder registrierte Fachwerkstätten zu wenden. Im Gegenteil, solche Versuche können Sicherheitsprobleme verursachen und das Produkt beschädigen und in der Folge Feuer, Überschwemmungen, Stromschläge und schwere Personenschäden hervorrufen. Zum Beispiel, aber nicht ausschließlich, müssen die folgenden Reparaturen an autorisierte Fachwerkstätten oder registrierte Fachwerkstätten gerichtet werden: Kompressor, Kühlkreislauf, Hauptplatine, Inverterplatine, Displayplatine, usw.

Der Hersteller/Verkäufer kann in keinem Fall haftbar gemacht werden, wenn der Endverbraucher die oben genannten Bestimmungen nicht einhält.

Die Ersatzteilverfügbarkeit des von Ihnen gekauften Kühlschranks beträgt 10 Jahre, während dieser Zeit sind Original-Ersatzteile für den ordnungsgemäßen Betrieb des Kühlschranks verfügbar.

Die Mindestgarantiedauer für den von Ihnen gekauften Kühlschrank beträgt 24 Monate.

Dieses Produkt ist mit einer Lichtquelle der Energieklasse „G“ ausgestattet.

Die Lichtquelle in diesem Produkt darf nur von autorisierte Fachwerkstätten ausgetauscht werden.

Siehe auch

2 CLAUSE DE NON-RESPONSABILITÉ /
AVERTISSEMENT [] 56]

Lees eerst deze handleiding!

Beste klant,

Lees deze handleiding voor u het product gebruikt.

Hartelijk dank voor uw keuze van dit Beko product. Wij willen dat u kunt genieten van een optimale efficiëntie van dit hoogwaardige product dat is vervaardigd met de nieuwste technologische snufjes. Lees hiervoor deze handleiding en alle andere documentatie zorgvuldig voor u het product in gebruik neemt en bewaar het voor eventuele raadpleging.

U moet alle informatie en waarschuwingen omvat in deze handleiding naleven. Zo beschermt u zichzelf en uw product tegen eventuele gevaren.

Bewaar de handleiding. U moet deze handleiding meegeven met het apparaat als u het aan iemand anders doorgeeft.

De volgende symbolen worden gebruikt in de handleiding:



Gevaar dat fataal kan aflopen of resulteren in letsels.



Belangrijke informatie en nuttige tips bij het gebruik.



Lees de handleiding.



Brandbaar materiaal, waarschuwing voor brand.

OPMERKING Een gevaar dat materiële schade kan veroorzaken aan het product of de omgeving

 ENERG 	De informatie over het model zoals opgeslagen in de productdatabank is beschikbaar op de volgende website waar u kunt zoeken op de ID van het model (*) die vermeld staat op het typeplaatje. https://eprel.ec.europa.eu/
SUPPLIER'S NAME → MODEL IDENTIFIER → (*)  	

1	Veiligheidsinstructies	92
1.1	Beoogd gebruik	92
1.2	Veiligheid van kinderen, kwetsbare personen en huisdieren	92
1.3	Elektrische veiligheid.....	93
1.4	Veiligheid bij de verplaatsing van het product.....	94
1.5	Veiligheid tijdens de installatie.....	94
1.6	Veiligheid tijdens de bediening.....	96
1.7	Veiligheid tijdens de bewaring van etenswaren	99
1.8	Veiligheid tijdens het onderhoud en de reiniging	100
1.9	Verwijdering van het oude product	100
2	Milieurichtlijnen.....	101
2.1	Conformiteit met de AEEA richtlijn betreffende afgedankte elektrische en elektronische apparatuur:	101
3	Uw koelkast.....	102
4	Installatie	102
4.1	Correcte plaatsing voor de installatie.....	102
4.2	Elektrische aansluiting.....	103
4.3	De plastic wiggen bevestigen.....	103
4.4	De poten aanpassen	104
4.5	Waarschuwing voor heet oppervlak	104
5	Vorbereiding.....	104
5.1	Wat u kunt doen om energie te besparen	104
5.2	Eerste gebruik.....	105
5.3	Klimaatklasse en definities.....	105
6	De bediening van he product.....	105
7	Het gebruik van uw apparaat	106
7.1	Bedieningspaneel van het product	106
7.2	Etenswaren bewaren in het koelvak.....	107
7.3	Groentevak.....	110
7.4	Vochtigheidbeheerde crisper.....	110
7.5	Crisper technologieën	110

7.6	De openingszijde van de deur om draaien.....	111
7.7	Deur open alarm	111
7.8	Vouwbaar wijnrek	111
7.9	De lamp vervangen	111
7.10	AeroFlow	112
8	Onderhoud en reiniging	112
9	Probleemoplossen	113

1 Veiligheidsinstructies

Dit hoofdstuk omvat de nodige veiligheidsinstructies om het risico van persoonlijke letsels of materiële schade te voorkomen.

Ons bedrijf kan niet aansprakelijk worden geteld voor schade die kan optreden als deze instructies niet worden nageleefd. De installatie- en reparatiewerken moeten altijd worden uitgevoerd door een geautoriseerde dienst.

Gebruik uitsluitend originele reserveonderdelen en accessoires.

Er worden originele reserveonderdelen geleverd gedurende een periode van 10 jaar vanaf de aankoopdatum van het product. U mag geen enkel onderdeel van het product repareren of vervangen tenzij dit duidelijk wordt aangegeven in de handleiding. Voer geen technische wijzigingen uit aan het product.

1.1 Beoogd gebruik

Dit product is niet geschikt voor commercieel gebruik en het mag enkel worden gebruikt voor het beoogde gebruik. Dit product is uitsluitend ontworpen voor gebruik binnen in huis en in gelijkaardige ruimten.

Bijvoorbeeld:

- In personeelskeukens van winkels, kantoren en andere werkomgevingen,
- In boerderijen,
- In de eenheden van hotels, motels of andere rustfaciliteiten die worden gebruikt door de klanten,
- In jeugdherbergen of gelijkaardige omgevingen,
- In catering en gelijkaardige niet-kleinhandel toepassingen.

Dit product mag niet buiten worden gebruikt in een open of afgesloten buitenomgeving zoals op een boot, balkon of terras. Het product blootstellen aan regen, sneeuw, zon of wind kan brand veroorzaken.

1.2 Veiligheid van kinderen, kwetsbare personen en huisdieren

- Dit product mag worden gebruikt door kinderen van 8 jaar en ouder en personen met een verminderde fysiek, gevoelsmatig en mentaal vermogen of een gebrek aan ervaring en kennis als ze onder toezicht staan of met betrekking instructies krijgen met betrek-

king tot het veilige gebruik van het apparaat en de betrokken risico's.

- Kinderen tussen 3 en 8 jaar oud mogen etenswaren uit het koelerproduct verwijderen of er in plaatsen.
- Elektrische producten zijn gevaarlijk voor kinderen en huisdieren. Kinderen en huisdieren mogen niet spelen met, klimmen op of binnendringen in het product.
- De reiniging en het onderhoud mogen niet worden uitgevoerd door kinderen tenzij ze onder toezicht staan.
- Houd het verpakkingsmateriaal uit de buurt van kinderen. Risico van letsels en verstikking.

Voor u ouder producten weggooit die niet meer mogen worden gebruikt:

1. Verwijder de stekker uit het stopcontact.
2. Snijd het netsnoer door en verwijder het van het apparaat bij de stekker.
3. Verwijder de rekken en laden van het product om te voorkomen dat kinderen kunnen geklemd raken in het apparaat.
4. Verwijder de deuren.
5. Bewaar het product zodat het niet kan omkantelen.

6. Laat kinderen niet spelen met het afgedankte product.
 - U mag het product niet verwijderen door het in vuur te gooien. Explosierisico.
 - Als er een slot aanwezig is op de deur van het product moet u de sleutel buiten het bereik van kinderen houden.



1.3 Elektrische veiligheid

- De stekker van het product mag niet in het stopcontact zitten tijdens de installatie, het onderhoud, de reiniging, reparaties en het vervoer van het product.
- Als het netsnoer beschadigd is, moet het worden vervangen door geautoriseerd personeel om alle mogelijke risico's te voorkomen.
- U mag het netsnoer niet onder of achter het product duwen. Plaats geen zware voorwerpen op het netsnoer. Het netsnoer mag niet worden gebogen, geklemd of in contact komen met een warmtebron.
- Gebruik geen verlengsnoer, multistekker of adapter om uw product in te schakelen.
- Draagbare multistekkers of draagbare voedingen kunnen oververhitten en brand veroorzaken.

zaken. U mag dus geen multi-stekker achter of in de buurt van het product bewaren.

- De stekker moet gemakkelijk bereikbaar zijn. Als dit niet mogelijk is, moet er een mechanisme beschikbaar zijn dat voldoet aan de elektrische wetgeving en die alle terminal loskoppelt van het netwerk (zekering, schakelaar, hoofdschakelaar, etc.).
- U mag de stekker niet aanraken met natte handen.
- Wanneer u de stekker van het apparaat verwijdert uit het stopcontact mag u niet aan het snoer zelf trekken maar enkel aan de stekker.

1.4 Veiligheid bij de verplaatsing van het product

- Zorg ervoor dat u de stekker uit het stopcontact haalt voordat u het product meeneemt.
- Dit is een zwaar product, u mag het niet zelf verplaatsen. Als het product op u valt, kan dit verwondingen veroorzaken. Stoot nergens tegen en laat het product niet vallen tijdens transport.
- Sluit altijd de deuren en houd het product niet bij de deuren vast tijdens transport.

- Zorg ervoor het koelsysteem en de leidingen niet te beschadigen tijdens de verplaatsing van het product. Gebruik het product niet als de leidingen beschadigd zijn. Neem contact op met de geautoriseerde dienst.

1.5 Veiligheid tijdens de installatie

- Neem contact op met de geautoriseerde service voor de installatie van het product. Om het gebruik van het product voor te bereiden, verwijzen wij u u naar de informatie in de handleiding. Zorg ervoor dat de elektrische en watervoorzieningen correct zijn uitgevoerd. Zo niet moet u een gekwalificeerd elektricien en loodgieter aanspreken om de voorzieningen correct uit te voeren. Zo niet bestaat er een risico van elektrische schokken, brand, problemen met het product of persoonlijke letsels.
- Het product is ontworpen voor gebruik in gebieden die 2000 meter onder zeeniveau liggen.
- Inspecteer het product op schade voor u het installeert. Laat het apparaat niet installeren als het beschadigd is.

- Gebruik altijd persoonlijke beschermingsmiddelen (handschoenen, enz.) tijdens de installatie, het onderhoud en de reparatie van het product. Risico op letsel!
- Plaats het product op een schoon, vlak en hard oppervlak en balanceer het met de verstelbare poten (door de voorvoeten naar rechts of links te draaien). Zo niet kan de koelkast kantelen en letsels veroorzaken.
- Het product moet worden geïnstalleerd in een droge en geventileerde omgeving. U mag geen tapijten of gelijkaardige vloerkleden onder het product plaatsen. Dit kan een brandrisico veroorzaken als het gevolg van een ontoereikende ventilatie!
- De ventilatieopeningen mogen niet worden geblokkeerd of afgedekt. Anders neemt het stroomverbruik toe en kan uw product beschadigd raken.
- Zorg er bij het plaatsen van het product voor dat de voedingskabel niet beschadigd of bekned raakt.
- Het product moet worden verbonden met toevoersystemen zoals zonne-energie-installaties. Zo niet kan uw product worden beschadigd door plotselinge wijzigingen in de spanning!
- Hoe meer koelmiddel wordt toegevoegd aan een koelkast, hoe groter de installatielocatie moet zijn. In zeer kleine ruimten kan een brandbaar gasluchtmengsel optreden in het geval van een gaslek in het koelsysteem. Er is een minimum 1 m³ volume vereist voor elke 8 gram koelmiddel. De hoeveelheid koelmiddel die beschikbaar is in uw product staat vermeld op het typeplaatje.
- De installatielocatie van het product mag niet zijn blootgesteld aan direct zonlicht en het mag niet worden geplaatst in de buurt van een warmtebron zoals fornuizen, radiatoren, etc. Als u de installatie van het product in de buurt van een warmtebron niet kunt vermijden, moet u een gepaste isolatieplaat gebruiken en de minimumafstand met de warmtebron respecteren zoals hieronder aangegeven.
 - Ten minste 30 cm verwijderd van warmtebronnen zoals fornuizen, ovens, verwarmingseenheden en -toestellen, etc.

- En minimum 5 cm verwijderd van elektrische ovens.
- Uw product heeft de beschermingsklasse van I.
- Voer de stekker van het product in een geaard stopcontact dat voldoet aan de spanning, stroom- en frequentiewaarden vermeld op het typeplaatje. De stekker moet worden voorzien van een 10A – 16A zekering. Ons bedrijf aanvaardt geen verantwoordelijkheid voor eventuele schade door het gebruik zonder aarding en zonder stroomverbinding conform de lokale en nationale wetgeving.
- Het netsnoer van het product moet uit het stopcontact worden verwijderd tijdens de installatie. Zo niet bestaat er een risico van elektrische schokken en letsel!
- Sluit het netsnoer van het product niet aan op losse, verschoven, gebroken, vuile, olieachtige stopcontacten die gevaar voor contact met water kunnen opleveren. Dit soort aansluitingen kan oververhitting en brand veroorzaken.
- Plaats het netsnoer en de leidingen (indien beschikbaar) van het product zodanig dat niemand er over kan struikelen.
- Vocht- en vloeistogpenetratie van onder spanning staande onderdelen of het netsnoer kan een kortsluiting veroorzaken. Gebruik het product dus niet in vochtige omgevingen of in zones waar water kan spatten (bijv. garage, wasruimte, etc.). Als de koelkast nat is met water moet u de stekker verwijderen en contact opnemen met de onderhoudsdienst.
- U mag uw koelkast nooit aansluiten op energiebesparende apparaten. Dergelijke systemen zijn schadelijk voor het product.
- Er bestaat een risico van contact met elektrische onderdelen bij het verwijderen van de afdekking van de elektronische printplaat en de achterkap van de compressor (indien aanwezig). Verwijder de afdekking van de elektronische printplaat en de achterkap van de compressor (indien aanwezig) niet. Er bestaat gevaar op elektrische schokken!



1.6 Veiligheid tijdens de bediening

- Gebruik nooit chemische oplosmiddelen op het product. Dit materiaal kan een explosierisico inhouden.

- In het geval van een defect in het product moet u de stekker verwijderen uit het stopcontact en mag u het niet gebruiken tot het is gerepareerd door de service geautoriseerde. Er bestaat een risico van elektrische schokken!
- Plaats geen vlammenbron (bijv. kaarsen, sigaretten, etc.) op het product of in de buurt.
- U mag niet klimmen op het product. Risico van valpartijen en letsels!
- U mag de leidingen van het koelsysteem niet beschadigen door scherpe en doorborende werktuigen te gebruiken. Het koelmiddel dat vrijkomt wanneer de gasleidingen, buisverlengingen of coatings van het bovenste oppervlak worden doorprikt kan irritatie van de huid en letsels van de ogen veroorzaken.
- Plaats en bedien geen elektrische apparaten in de koelkast-diepvriezer tenzij dit is geadviseerd door de fabrikant.
- Zorg ervoor uw handen of lichaam uit de buurt te houden van de bewegende delen in het product. Zorg ervoor dat uw vingers niet geklemd kunnen raken tussen de koelkast en de deur. Wees voorzichtig wanneer u de deur opent of sluit als er kinderen in de buurt zijn.
- Plaats geen roomijs, ijsblokjes of diepgevroren etenswaren in uw mond van zodra u ze uit de diepvriezer haalt. Risico van vrieswonden!
- Raak de binnenwanden, metalen onderdelen van de diepvriezer of etenswaren die worden bewaard in de diepvriezer niet aan met natte handen. Risico van vrieswonden!
- Plaats geen blikjes of flessen met vloeistof die kunnen bevriezen in het vriesvak. Blikjes of flessen kunnen ontploffen. Er bestaat een risico van letsels en materiële schade!
- Gebruik of plaats geen materiaal dat gevoelig is aan temperaturen zoals brandbare sprays, brandbare voorwerpen, droog ijs of andere chemische stoffen in de buurt van de koelkast. Risico van brand en explosie!
- U mag geen explosieve stoffen zoals een aerosol met een ontvlambaar materiaal opslaan in het product.
- Plaats geen blikjes met vloeistof bovenop het product in een open toestand. Waterspat-

- ten op een elektrisch onderdeel kunnen elektrische schokken of brand veroorzaken.
- Dit product is niet bedoeld om medicatie, bloedplasma, laboratoriumbereidingen of gelijkaardige materiaal en producten te bewaren en te koelen die onderhevig zijn aan de richtlijn voor Medische producten.
 - Als het product voor een ander dan het beoogde doeleinde wordt gebruikt, kan het schade veroorzaken aan de etenswaren in het product.
 - Als uw koelkast is uitgerust met een blauwe lamp mag u niet naar deze lamp staren met optische apparaten. U mag niet langdurig rechtstreeks in de UV LED-lamp kijken. Ultraviolet stralen kunnen de ogen vermoeien.
 - Vul het product niet op met meer inhoud dan de capaciteit. Als de inhoud van de koelkast valt wanneer de deur wordt geopend, kan dit letsels of schade veroorzaken. Gelijkaardige problemen kunnen ook optreden als er een voorwerp op het product is geplaatst.
 - Zorg ervoor dat u al het eventuele ijs of water hebt verwijderd dat op de vloer kan zijn gevallen om letsels te vermijden.
- Verander de locaties van de rekken/flessenrekken op de deur van uw koelkast enkel wanneer de rekken leeg zijn. Gevaar van letsels!
 - Plaats geen voorwerpen die kunnen vallen/kantelen op het product. Dergelijke voorwerpen kunnen vallen wanneer de deur wordt geopend of gesloten en letsels en/of materiële schade veroorzaken.
 - U mag niet te hard slaan op de glazen oppervlakken. Gebroken glas kan letsels en/of materiële schade veroorzaken.
 - Het koelsysteem van uw product bevat R600a koelmiddel. Het type koelmiddel dat wordt gebruikt in het product is gespecificeerd op het typeplaatje. Dit gas is ontvlambaar. Zorg er dus voor het koelsysteem en de leidingen niet te beschadigen tijdens de bediening van het product. In het geval van schade aan de leidingen;
 1. Raak het product of het netsnoer niet aan.
 2. Houd het product uit de buurt van potentiële bronnen van brand die het product in brand kunnen doen schieten.
 3. Ventileer de ruimte waar het product is geplaatst. Gebruik geen ventilator.

4. Neem contact op met de geautoriseerde dienst.

Als het product is beschadigd en u een gaslek vaststelt, moet u uit de buurt blijven van het gas. Het gas kan de vrieswonden veroorzaken als het in contact komt met de huid.

Voor u ouder producten weggooit die niet meer mogen worden gebruikt:

1. Verwijder de stekker uit het stopcontact.
 2. Snijd het netsnoer door en verwijder het van het apparaat bij de stekker.
 3. Verwijder de rekken en laden van het product om te voorkomen dat kinderen kunnen geklemd raken in het apparaat.
 4. Verwijder de deuren.
 5. Bewaar het product zodat het niet kan omkantelen.
 6. Laat kinderen niet spelen met het afgedankte product.
- U mag het product niet verwijderen door het in vuur te gooien. Explosiegevaar.
 - Als er een slot aanwezig is op de deur van het product moet u de sleutel buiten het bereik van kinderen houden.



1.7 Veiligheid tijdens de bewaring van etenswaren

Let op de volgende waarschuwingen om te vermijden dat uw etenswaren zouden bederven:

- De deur langdurig open laten kan de temperatuur in het product doen stijgen.
- Reinig de toegankelijke afvoersystemen die in contact komen met de etenswaren regelmatig.
- Reinig de waterreservoirs als ze niet zijn gebruikt gedurende 48 uur en systemen met een verbinding met het waternet die niet zijn gebruikt gedurende meer dan 5 dagen.
- Bewaar rauw vlees- en visproducten in de geschikte vakken in het product. Zo kunnen deze niet druppelen of in contact komen met andere etenswaren.
- Twee vriesvakken worden gebruikt om voorgevulde etenswaren te bewaren en om ijs en roomijs te maken en te bewaren.
- Een-, twee- en drie-sterren compartimenten zijn niet geschikt om verse etenswaren in te vriezen.
- Als het koelproduct gedurende een lange tijd leeg is gelaten, moet u het uitschakelen, ont-

doeien, reinigen en drogen om de behuizing van het product te beschermen.

1.8 Veiligheid tijdens het onderhoud en de reiniging

- Trek niet aan het handvat van de deur als u het product moet verplaatsen tijdens het reinigen. Het handvat kan letsels veroorzaken als u er te hard aan trekt.
- Reinig het product niet door water te verstuiven of te gieten op en in het product. Er is een risico van elektrische schokken of brand.
- Tijdens de reiniging van het product mag u geen scherpe of schurende voorwerpen of huishoudelijke reinigingsmiddelen, oplosmiddelen, gas, benzine, verdunner, alcohol, lak en gelijkaardige stoffen gebruiken. Gebruik enkel reinigings- en onderhoudsmiddelen die niet schakelen zijn voor de etenswaren in het product.
- Gebruik geen stoom of stoomreinigers om het product te reinigen of om ijs in het product te ontdooien. Stoom komt in contact met de onderdelen van uw koelkast die onder span-

ning staan en dit veroorzaakt kortsluitingen of elektrische schokken.

- Zorg ervoor water uit de buurt te houden van het elektronisch circuit of de verlichting van het product.
- Gebruik een schone, droge doek om vreemd materiaal of stof te verwijderen van de punten van de stekker. Gebruik geen natte of vochtige doek om de stekker te reinigen. Zo niet bestaat er een risico van brand of elektrische schokken.

1.9 Verwijdering van het oude product

Wanneer u uw oude product weggooit, moet u de onderstaande instructies volgen:

- Om te voorkomen dat kinderen zich per ongeluk zouden opensluiten in het product moet u alle eventuele vergrendelingen van de deur onbruikbaar maken.
- Spatten van koelmiddel zijn schadelijk voor de ogen. U mag geen onderdeel van het koelsysteem beschadigen wanneer u het product verwijderd.

- Als de olie van de compressor wordt ingeslikt of als de olid binnendringt in de luchtwegen kan dit fatale gevolgen hebben.
- Het koelsysteem van uw product omvat R600a zoals aangeduid op het typeplaatje. Dit gas is ontvlambaar. U mag het product niet verwijderen door het in vuur te gooien. Explosierisico!

2 Milieurichtlijnen

2.1 Conformiteit met de AEEA richtlijn betreffende afgedankte elektrische en elektronische apparatuur:



Dit product is conform met de EU WEEE-richtlijn (2012/19/EU). Dit product draagt een classificatiesymbool voor afval elektrische en elektronische apparatuur (WEEE).

Dit symbool wijst erop dat dit product niet mag worden verwijderd met ander huishoudelijk afval aan het einde van de levensduur. Een gebruikt apparaat moet naar een officieel inzamelpunt worden gebracht voor recycling van elektrische en elektronische apparaten. Neem contact op met uw lokale autoriteiten of detailhandelaar waar het product is gekocht om deze collectiesystemen te vinden. Elk gezin speelt een belangrijke rol in de recuperatie en recycling van oude

apparaten. De correcte verwijdering van gebruikte apparatuur helpt potentiële negatieve gevolgen voor het milieu en de volksgezondheid te voorkomen.

Naleving van de RoHS-richtlijn

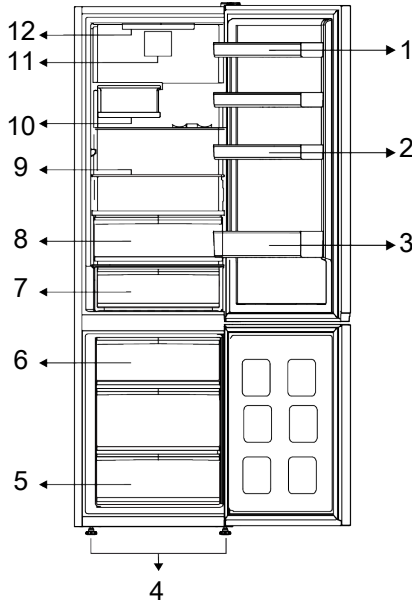
Het product dat u hebt gekocht is conform met de Europese RoHS-richtlijn (2011/65/EU). Het bevat geen schadelijk en verboden materiaal zoals gespecificeerd in de Richtlijn.



Informatie over de verpakking

Het verpakkingsmateriaal van het product is gefabriceerd van recyclebaar materiaal in overeenstemming met onze Nationale Milieuwetgeving. U mag het verpakkingsmateriaal niet samen met het huishoudelijke of ander afval weggoien. Breng het naar de inzamelpunten voor verpakkingsmateriaal aangegeven door de lokale autoriteiten.

3 Uw koelkast



- | | |
|----------------------------|-------------------------|
| 1 * Verstelbare deurvakken | 2 * Eierhouder |
| 3 * Flessenplank | 4 * Verstelbare voetjes |
| 5 * Vriesvak | 6 * IJsccontainer |
| 7 * Koude bewaarlade | 8 * Koude bewaarlade |
| 9 * Verstelbare planken | 10 * Vouwbaar wijnrek |
| 11 * Ventilator | 12 * Lamp |

***Optioneel:** De afbeeldingen in deze gebruikshandleiding zijn schematisch en stemmen mogelijk niet exact overeen met

uw product. Als de betrokken vakken niet aanwezig zijn in uw product verwijst de informatie naar andere modellen.

4 Installatie

 Lees eerst het hoofdstuk "Veiligheidsinstructies"!

4.1 Correcte plaatsing voor de installatie

Neem contact op met de geautoriseerde service voor de installatie van het product. Om de installatie van het product voor te bereiden, verwijzen wij u naar de informatie in de handleiding. Zorg ervoor dat de

elektrische en watervoorzieningen correct zijn uitgevoerd. Zo niet moet u een elektricien en loodgieter aanspreken om de voorzieningen correct uit te voeren.

**WAARSCHUWING!**

De fabrikant aanvaardt geen verantwoordelijkheid voor eventuele schade veroorzaakt door werkzaamheden die worden uitgevoerd door niet-geautoriseerde personen.

**WAARSCHUWING!**

Het netsnoer van het product moet uit het stopcontact worden verwijderd tijdens de installatie. Zo niet kan dit fataal aflopen of resulteren in ernstige letsels!

**WAARSCHUWING!**

Als de deuropening te nauw is om het product door te laten, moet u de deur verwijderen en het product zijdelings draaien; als dit niet werkt, kunt u contact opnemen met de geautoriseerde dienst.

- Plaats het apparaat op een vlakke ondergrond om trillingen te vermijden.
- Plaats het product minimum 30 cm verwijderd van de radiator, het fornuis en gelijkaardige warmtebronnen en minimum 5 cm van elektrische ovens.
- Stel het apparaat niet bloot aan direct zonlicht en plaats het niet in een vochtige omgeving.
- Dit product vereist een goede luchtcirculatie om efficiënt te kunnen werken. Als het product in een muurnis wordt geplaatst, moet u ten minste 5 cm tussenruimte laten tussen het product en het plafond, de achterwand en de muren.
- Controleer of het tussenruimte beveiligingsonderdeel met de muur achteraan aanwezig is (indien geleverd met het product).
- Als dit onderdeel niet beschikbaar is, of als het verloren is gegaan of gevallen, moet u het product zodanig positioneren dat er ten minste 5 cm tussenruimte is tussen het product en de muren van de kamer. De tussenruimte achteraan is belangrijk voor de efficiënte werking van het product.

4.2 Elektrische aansluiting

Gebruik geen verlengsnoer of meervoudige stopcontacten voor de stroomverbinding.



Een beschadigd netsnoer moet worden vervangen door een Geautoriseerde Dienst.



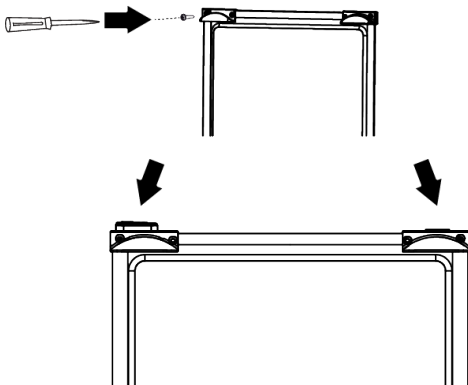
Als u twee koelers naast elkaar plaatst, moet u minimum 4 cm afstand laten tussen beide toestellen.

- Ons bedrijf aanvaardt geen verantwoordelijkheid voor eventuele schade door het gebruik zonder aarding en stroomverbinding conform de nationale wetgeving.
- De netstekker moet gemakkelijk toegankelijk blijven na de installatie.
- Gebruik geen multistekker met of zonder verlengsnoer tussen het stopcontact en de diepvriezer.

4.3 De plastic wiggen bevestigen

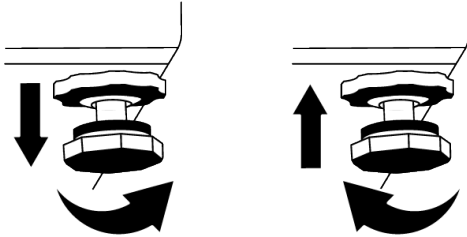
Gebruik de plastic spieën die worden geleverd met het product om voldoende ruimte te laten voor de luchtcirculatie tussen het product en de muur.

1. Om de spieën te bevestigen, verwijdert u de schroeven van het product en gebruikt u de schroeven die worden geleverd met de spieën.
2. Bevestig 2 plastic spieën op het ventilatiedeksel zoals aangetoond in de afbeelding.



4.4 De poten aanpassen

Als het product niet correct gebalanceerd is, moet u de instelbare voeten vooraan naar links of rechts draaien.



4.5 Waarschuwing voor heet oppervlak

De zijwanden van uw product zijn uitgerust met koelmiddelleidingen om het koelsysteem te verbeteren. Vloeistof onder hoge druk kan door deze oppervlakken stromen en hete oppervlakten veroorzaken op de zijwanden. Dit is normaal en vereist geen interventie van het onderhoudspersoneel. Let op wanneer u in contact komt met deze zones.

5 Voorbereiding



Lees eerst het hoofdstuk "Veiligheidsinstructies"!

5.1 Wat u kunt doen om energie te besparen

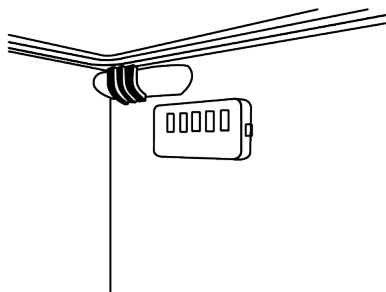


Het product verbinden met elektronische energiebesparende systemen is schadelijk want het kan uw product beschadigen.

- Dit koelapparaat is niet bedoeld voor gebruik als een ingebouwd apparaat;
- Houd de deur van de koelkast niet te lang open.
- Plaats geen warme dranken in de koelkast.
- U mag de koelkast niet te veel opvullen; als u de interne luchtcirculatie blokkeert, vermindert het koelvermogen.
- Aangezien warme en vochtige lucht niet rechtstreeks zullen doordringen in uw product als de deuren niet worden geopend zal uw product optimaal werken in omstandigheden die voldoende om uw etenswaren te beschermen. Onder deze omstandigheden werken functies en onderdelen zoals de compressor, ventilator, het verwarmingselement, ontdooien, ver-

lichten, weergave, etc. in overeenstemming met de behoeften om zo weinig mogelijk energie te verbruiken.

- Als er meerdere opties zijn, moeten de glazen platen zodanig worden geplaatst dat ze de luchtuitlaten op de achterwand niet zijn geblokkeerd. De luchtuitlaten moeten bij voorkeur onder de glazen platen blijven. Deze combinatie kan bijdragen tot de luchtcirculatie en energie-efficiëntie.
- Het is ten zeerste aangeraden de onderste lade te gebruiken om etenswaren te bewaren.
- Afhankelijk van de kenmerken van het product; ingevroren etenswaren ontdooien in het koelvak resulteert in energiebesparing en bewaart de kwaliteit van de etenswaren.
- Om een maximale hoeveelheid etenswaren op te slaan in het koelvak van uw koelkast kunt u de bovenste laden verwijderen en de etenswaren op het rooster/glazen rek plaatsen.
- Zorg ervoor dat de etenswaren niet in contact komen met de hieronder beschreven temperatuursensor van het koelvak.



- Als ze in contact komen met de sensor kan het energieverbruik van het apparaat stijgen
- Etenswaren moeten worden bewaard op de laden in het koelvak om energie te besparen en etenswaren in betere omstandigheden te beschermen.
- Pakketten met etenswaren mogen niet in direct contact staan met de temperatuursensor in het vriesvak.

5.2 Eerste gebruik

Voor u de koelkast in gebruik neemt, moet u ervoor zorgen dat u de nodige voorbereidingen treft in overeenstemming met de instructies vermeld in de "Veiligheids- en omgevingsinstructies" en "Installatie" secties.

- Schakel het product in zonder etenswaren en laat het werken gedurende 6 uur. Open de deur niet tenzij absoluut noodzakelijk.
- De temperatuurwijzigingen die worden veroorzaakt door het openen en sluiten van de deur tijdens het gebruik van het product zullen in normale omstandigheden resulteren in de vorming van condensatie op de deur/laden en het glas dat in het product wordt geplaatst.

6 De bediening van het product



Lees eerst het hoofdstuk "Veiligheidsinstructies"!



Een geluidssignaal weerklinkt wanneer de compressor wordt ingeschakeld. Het is normaal dat het product lawaai maakt, zelfs als de compressor is ingeschakeld, aangezien vloeistof en gas kan worden samengedrukt in het koelsysteem.

NL



Het is normaal dat de voorzijden van de koelkast warm zijn. Deze zones zijn ontworpen om op te warmen en condensatie te vermijden.



In sommige modellen schakelt het indicatorpaneel automatisch uit 1 minuten nadat de deur sluit. Ze wordt opnieuw ingeschakeld wanneer de deur geopend wordt of een toets ingedrukt wordt.

5.3 Klimaatklasse en definities

Raadpleeg de klimaatklasse op het typeplaatje van uw apparaat. Eén van de onderstaande situaties is van toepassing op uw apparaat naargelang de klimaatklasse."

- **SN:** Lange termijn gematigd klimaat: Dit koelapparaat is ontworpen voor gebruik bij een omgevingstemperatuur tussen 10 °C en 32 °C.
- **N:** Gematigd klimaat: Dit koelapparaat is ontworpen voor gebruik bij een omgevingstemperatuur tussen 16 °C en 32 °C.
- **ST:** Subtropisch klimaat: Dit koelapparaat is ontworpen voor gebruik bij een omgevingstemperatuur tussen 16 °C en 38 °C.
- **Tel.:** Tropisch klimaat: Dit koelapparaat is ontworpen voor gebruik bij een omgevingstemperatuur tussen 16 °C en 43 °C.

- Gebruik geen mechanische werktuigen of andere werktuigen dan de aanbevelingen van de fabrikant om de ontdooiing te versnellen.

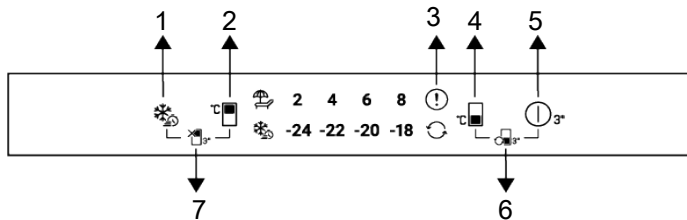
- Gebruik geen onderdelen van uw koelkast zoals de deur of de laden als steun of trapje. Dit kan het product doen kantelen of de onderdelen beschadigen.
- Het product mag enkel worden gebruikt om etenswaren en dranken op te slaan.
- Sluit de waterkraan af als u weg gaat van huis (bijv. op vakantie vertrekt) en u de Icematic of de waterdispenser gedurende een lange periode niet zult gebruiken. Zo niet kunnen er waterlekken optreden.

Het programma pauzeren

- Als u het product niet zult gebruiken gedurende een lange periode moet u stekker verwijderen uit het stopcontact.
- Verwijder de etenswaren om geurtjes te voorkomen.
- Wacht tot het ijs is gesmolten, reinig de binnenzijde en laat deze drogen. Laat de deuren open om schade aan het plastic in het product ver voorkomen.

7 Het gebruik van uw apparaat

7.1 Bedieningspaneel van het product



- | | |
|--------------------------------------|--|
| 1 Snel invriezen toets | 2 Koelvak temperatuurinstelling toets |
| 3 Foutstatus indicator | 4 Vriesvak temperatuurinstelling toets |
| 5 Product uit-knop | 6 Vak conversieschakelaar |
| 7 Koeler UIT (vakantie) functietoets | |

 Lees eerst het hoofdstuk "Veiligheidsinstructies".

De geluids- en visuele functies van het indicatorpaneel helpen bij het gebruik van de koelkast.

***Optioneel:** De weergegeven functies zijn optioneel; er kunnen verschillen zijn in de vorm en de locatie van de functies op het indicatorpaneel van uw apparaat.

1. Snel invriezen toets

Als de snelvriestoets wordt ingedrukt, verschijnt het snelvriessymbool () branden en de snelvriesfunctie wordt geactiveerd. De temperatuur van het vriesvak is ingesteld op -27 °C. Druk opnieuw op deze toets om de functie te annuleren. De snel invriezen functie wordt automatisch uitgeschakeld

na een tijdje. Als u een grote hoeveelheid verse etenswaren moet invriezen, drukt u op de Snel invriezen toets voor u etenswaren in het vriesvak plaatst.

2. Koelvak temperatuurinstelling toets

Biedt de mogelijkheid de temperatuur in te stellen voor het koelvak. Als u deze knop indrukt, kan de temperatuur van het koelvak kan worden geconfigureerd als 8.6,4.2 °C.

3. Foutconditie indicator

Deze indicator wordt ingeschakeld wanneer de koelkast onvoldoende koelt of als er een sensorfout optreedt. De temperatuurindicatoren van de diepvriezer en de koelkast knipperen in bepaalde combinaties. Dit licht de service in over de fout die is opgetreden.

Het uitroepteken kan verschijnen als u warme etenswaren in het vriesvak hebt geplaatst of als de deur langdurig wordt geopend. Dit is geen fout; deze waarschuwing verdwijnt wanneer de etenswaren afkoelen of wanneer een toets wordt ingedrukt.

4. Vriesvak temperatuurinstelling toets

De temperatuurinstelling is gemaakt voor het vriesvak. De temperatuur van het vriesvak kan worden ingesteld op -18,-20,-22,-24 °C door te drukken op de knop.

5. Product uit-knop

Wanneer deze knop 3 seconden wordt ingedrukt, schakelt het apparaat uit. In deze status koelt de koelkast niet. Als de knop opnieuw wordt ingedrukt gedurende 3 seconden begint de koelkast opnieuw te koelen.

6. Vak conversieschakelaar

Als u de conversieschakelaar van het vak gedurende 3 seconden indrukt, kan het vriesvak worden ingesteld als een koelvak, gesloten vak of vriesvak.

Als het apparaat werkt als een diepvriezer licht de geselecteerde temperatuurwaarde op en schakelt het conversiesymbool uit.

7.2 Etenswaren bewaren in het koelvak

Etenswaren bewaren in het koelvak

- De temperatuur in de vakken stijgt aanzienlijk als de deur van de vakken vaak wordt geopend en gesloten of langdurig wordt open gehouden. Dit kan de levensduur van de etenswaren verminderen en deze doen bederven.
- Om onaangename geurtjes en veranderingen in de smaak te voorkomen, mogen de etenswaren niet worden opgeslagen in afgesloten containers.
- Bewaar geen al te grote hoeveelheden etenswaren in uw koelkast. Om een beter en homogeen koelresultaat te bereiken, plaatst u de etenswaren zodanig dat koude lucht door de etenswaren kan circuleren.

Als het apparaat werkt als een koelkast worden alle lichten van de temperatuurwaarden van het vriesvak uitgeschakeld op en licht het conversiesymbool op. Het vak werkt als een koeler.

Als het vriesvak is uitgeschakeld, worden alle lichten van de temperatuurwaarden van het vriesvak uitgeschakeld op en schakelt het conversiesymbool uit. Voor deze selectie zijn er geen etenswaren aanwezig in het vak.

7. Koeler UIT (vakantie) functietoets

Druk op de toets gedurende 3 seconden om de vakantiefunctie in te schakelen. De Vakantiemodus is geactiveerd en het vakantiesymbool is verlicht. Alle pictogrammen op de koelvak temperatuurindicator schakelen uit en het koelvak koelt niet actief. Wanneer deze functie wordt ingeschakeld, is het niet aanbevolen voedingswaren te bewaren in het koelvak. De andere vakken blijven afkoelen volgens hun ingestelde temperatuur. Druk opnieuw op de toets gedurende 3 seconden om deze functie te annuleren.

- Zorg voor voldoende luchtcirculatie door ruimte te laten tussen de etenswaren en de interne wanden. Als u de etenswaren tegen de achterwand plaatst, kunnen deze bevriezen.
- Laat bereide maaltijden afkoelen tot kamertemperatuur voor u ze in de koelkast plaatst. Daarna kunt u de lauwe maaltijd op de onderste laden van uw koelkast plaatsen. Plaats uw lauwe maaltijden niet in de buurt van etenswaren die gemakkelijk bederven.
- Ontdooi uw ingevroren etenswaren in het compartiment voor verse etenswaren. Zo kunt u het vak met verse etenswaren afkoelen door diepgevroren etenswaren te gebruiken en energie te besparen.

- Onrijp tropisch fruit (mango, meloenvariëteiten, papaya, bananen, ananas) bewaren in de koelkast kan het rijpingproces versnellen. Dit is niet aanbevolen omdat het de bewaartijd kan verkorten.
- Uien, look, gember en andere wortelgroenten moeten worden bewaard in donkere en koele kamercondities, niet in de koelkast.
- Als u opmerkt dat bepaalde etenswaren zijn bedorven in de koelkast moet u deze weggooien en de accessoires reinigen die in contact zijn gekomen met die etenswaren.
- Om maaltijden zoals soep en stoofpotjes, die in grote potten worden bereid, snel af te koelen, kunt u ze in de koelkast plaatsen door ze te verdelen in hun eigen ondiepe accessoires.
- Plaats de niet-verpakte etenswaren niet in de buurt van eieren.
- Houd fruit en groenten van elkaar gescheiden en bewaar elke variëteit samen (bijvoorbeeld: appels met appels, wortels met wortels).
- Verwijder groene groenten uit de plastic zak en plaats ze in de koelkast nadat u ze in papier of een theedoek hebt gewikkeld. Als u dergelijke etenswaren wilt wassen voor u ze in de koelkast plaatst, moet u ze eerst drogen.
- U kunt een vochtige omgeving creëren en lucht doen circuleren door fruit en groenten, die gemakkelijk uitdrogen, in doorboorde of niet afgesloten plastic zakken te bewaren.
- Met uitzondering van extreme omstandigheden in de omgeving, als uw product (op de aanbevolen ingestelde waardetabel) is ingesteld op de specifiek ingestelde waarden zullen de etenswaren langer vers blijven in het vak voor verse producten en het vriesvak.

Etenswaren moeten worden bewaard op uiteenlopende plaatsen op basis van hun eigenschappen:	
Etenswaren	Locatie
Eieren	Deurvak
Zuivelproducten (boter, kaas)	Indien beschikbaar, nul graden (voor ontbijt) vak
Fruit, groenten en salade	Fruit-groentevak, crispier of EverFresh+ vak (indien beschikbaar)
Vers vlees, gevogelte, vis, worsten, etc. Bereide etenswaren	Indien beschikbaar, nul graden (voor ontbijt) vak
Kant en klare etenswaren, verpakte producten, conserven en gepekelde producten	Bovenste vakken of deurvakken
Drank, flessen, kruiden en snacks	Deurvak

Etenswaren bewaren in het vriesvak

- U kunt de Snel invriezen functie 4-6 uur gebruiken voor het invriezen om sneller af te koelen.
- Laat bereide maaltijden afkoelen tot kamertemperatuur voor u ze in de vriesvak plaatst.
- De etenswaren die u wilt invriezen moeten worden onderverdeeld in porties naar gelang de hoeveelheid die u zult gebruiken en ze moeten worden ingevroren in afzonderlijke verpakkingen.
- Het is aanbevolen etenswaren te verpakken voor u ze in het vriesvak plaatst.
- Om te voorkomen dat de bewaartijden verstrijken, moet u de invriesdatum, tijdslimiet en de naam van de etenswaren noteren op de verpakking in overeenstemming met de bewaartijden van verschillende etenswaren.
- Wacht niet te lang om de etenswaren die u hebt ontdooid te verbruiken. Ontdooid etenswaren mogen niet opnieuw worden ingevroren tenzij ze worden bereid. Het is niet veilig opnieuw ingevroren verse etenswaren te verbruiken zonder ze te bereiden nadat ze zijn ontdooid.

- Wanneer u verse etenswaren invriest, moet u contact vermijden met al ingevroren etenswaren. Zo niet zullen deze ingevroren etenswaren ontdooien.

Etenswaren bewaren die bevroren vorm worden verkocht

- Volg altijd de instructies van de producent in verhouding met de tijdsduur dat u uw etenswaren moet bewaren. U mag de tijd vermeld in deze instructies niet overschrijden!
- Om de kwaliteit van de etenswaren te beschermen, moet u de tijdsinterval tussen de aankoop en de bewaring zo kort mogelijk houden.
- Koop ingevroren etenswaren die worden bewaard bij -18°C of lagere temperaturen.
- Koop geen etenswaren waarvan de verpakking bedekt is met ijs, etc. Dit betekent dat het product mogelijk gedeeltelijk

is ontdooid en daarna opnieuw ingevroren. De temperatuur heeft een impact op de kwaliteit van de etenswaren.

- U mag de bewaartijd die wordt aanbevolen door de voedingsfabrikant niet overschrijden. Verwijder enkel de etenswaren die u onmiddellijk zult verbruiken uit de diepvriezer.
- Met uitzondering van extreme omstandigheden in de omgeving, als uw product (op de aanbevolen ingestelde waardetabel) is ingesteld op de specifiek ingestelde waarden zullen de etenswaren langer vers blijven in het vak voor verse producten en het vriesvak.
- Als het vak voor verse etenswaren is ingesteld op een lagere temperatuur kunnen vers fruit en groenten gedeeltelijk worden ingevroren.

Vriesvak Instelling	Koelvak Instelling	Opmerkingen
-22°C	4°C	Dit is de standaard, aanbevolen instelling. Deze instelling is aanbevolen als de omgevingstemperatuur lager is dan 30°C .
-22 of -24°C	4°C	Deze instellingen worden aanbevolen bij omgevingstemperaturen van hoger dan 30°C .
Snel invriezen	4°C	Gebruik deze functie wanneer u etenswaren op korte tijd wilt invriezen. Wanneer het proces is voltooid, keren de instellingen van het product terug naar de vorige positie.
-18°C of kouder	2°C	Gebruik deze instellingen als u vindt dat het koelvak niet koud genoeg is omwille van de omgevingstemperatuur of het regelmatig openen van de deur.

Diepvriezer details

Conform de IEC 62552 normen moet de diepvriezer 4,5 kg etenswaren kunnen invriezen bij -18°C of lagere temperaturen bij 25°C kamertemperatuur in 24 uur voor iedere 100 liter vriesvak volume.

Etenswaren kunnen enkel gedurende lange perioden worden bewaard bij een temperatuur van -18°C of lager.

U kunt etenswaren maanden lang vers houden (in de diepvriezer bij een temperatuur van 18°C of lager).

De in te vriezen etenswaren mogen niet in contact komen met reeds ingevroren etenswaren om gedeeltelijk ontdooien te vermijden.

Kook de groenten en filter het water om de ingevroren bewaartijd te verlengen. Plaats de etenswaren in luchtdichte verpakkingen

na het filteren en plaats ze in het vriesvak. Bananen, tomaten, sla, selderie, gekookte eieren, aardappelen en gelijkaardige etenswaren mogen nooit worden ingevroren. Als deze etenswaren bevroren zijn, heeft dit alleen een negatieve impact op de voedingswaarden en kwaliteit van de etenswaren. Bederving die de gezondheid van de gebruiker in gevaar brengt, is niet mogelijk.

De etenswaren plaatsen

Diepvriezer deurvakken: Uiteenlopende ingevroren etenswaren zoals vlees, vis, roomijs, groenten, etc.

Koelvak deurvakken: Etenswaren in potten, afgedekte platen en containers, eieren (in een afgedekte container)

Koelvak deurvakken: Kleine en verpakte etenswaren of dranken

Groentelade: Groenten en fruit

Verse etenswaren compartiment: Delicatessen (ontbijt etenswaren, vleesproducten die op korte termijn worden verbruikt)

7.3 Groentevak

De crisper van de koelkast is ontworpen om groeten vers te houden door de vochtigheid te bewaren. Om die reden wordt de algemene koude luchtcirculatie verhoogd in de crisper. Bewaar fruit en groenten in dit compartiment. Bewaar groene groenten en fruit afzonderlijk om hun levensduur te verlengen.

7.4 Vochtigheidbeheerde crisper

Everfresh

Met de vochtigheidbeheerde crisper functie wordt de vochtigheidsgraad van de groeten en het fruit onder controle gehouden en worden de etenswaren langer vers gehouden.

Wij raden aan bladgroenten zoals salade, spinazie en gelijkaardige groenten die gevoelig zijn aan vochtverlies in de crisper niet rechtop op hun wortel te plaatsen, maar zo horizontaal mogelijk.

Wanneer u groenten in het vak plaatst, moet u de zware en harde groeten onderaan leggen en de lichte en zachte groenten bovenaan, rekening houdend met de specifieke gewichten van de groenten.

Plaats groenten nooit in plastic zakken in de crisper. Als u ze in een plastic zak laat, kunnen ze snel bederven.

In situaties waar contact met andere groenten niet wenselijk is, kunt u verpakkingsmateriaal gebruiken, zoals papier, met een zekere porositeit voor hygiënische redenen. Plaats geen fruit die veel ethyleengas produceren zoals peren, abrikozen, perziken en in het bijzonder appelen in hetzelfde groentevak met andere groenten en fruit. Het ethyleengas dat ontsnapt uit dit fruit kan ertoe leiden dat groenten en fruit sneller rijpen en bederven.

7.5 Crisper technologieën

Blauw licht

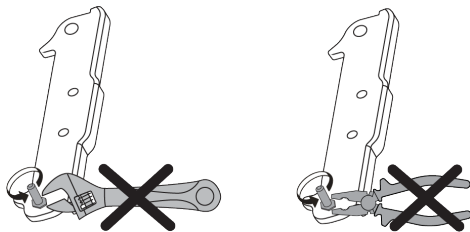
Bij fruit en groenten die zijn opgeslagen in de crisper-laden en die worden verlicht met een blauw licht blijft de fotosynthese doorlopen omwille van het golflengte-effect van het blauwe licht en zo behouden zij hun vitamine-inhoud.

HarvestFresh

Groenten en fruit die zijn opgeslagen in de crisper-laden die worden verlicht met de HarvestFresh technologie behouden hun vitamines gedurende een langere periode dankzij de blauwe, groene, rode lichten en donkere cycli die een dagcyclus simuleren. Wanneer de deur van uw koelkast wordt geopend tijdens de donkere periode van de HarvestFresh technologie zal uw koelkast dit automatisch detecteren en de groentevak oplichten met een van de blauwe, groene of rode lichten voor uw gebruiksgemak. Nadat u de deur van de koelkast hebt gesloten, loopt de donkere periode door en dit staat voor de nacht tijdens een dagcyclus

7.6 De openingszijde van de deur omdraaien

De openingszijde van de deur van uw koelkast kan worden omgedraaid in overeenstemming met de locatie waar u ze plaatst. Als u de deur wilt omdraaien, moet u zeker beroep doen op de dichtstbijzijnde geautoriseerde service.



7.7 Deur open alarm

Het deur open alarmsysteem van uw koelkast kan verschillen naargelang het model.

Versie 1:


Als de deur van het product open blijft gedurende een bepaalde periode (60 tot 120 seconden) weerklinkt een geluidssignaal; afhankelijk van het model van het product kan ook een visueel waarschuwingssignaal (knipperlicht) worden weergegeven. Als u de deur van het apparaat sluit of drukt op een knop op het scherm van het apparaat kunt u het alarm stopzetten.

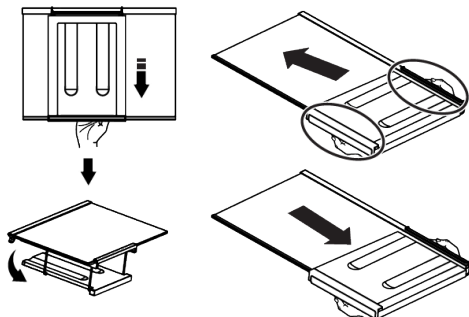
Versie 2:

Als de deur van het apparaat open blijft gedurende een bepaalde periode (60 tot 120 seconden) weerklinkt het deur open alarm. Het deur open alarm weerklinkt geleidelijk aan. Eerst wordt een hoorbaar alarm gestart. Na 4 minuten, als de deur nog steeds niet is gesloten, wordt een visueel alarm (knipperlicht) ingeschakeld. Het deur open alarm wordt uitgesteld gedurende een bepaalde periode (60 tot 120 seconden) wanneer een toets op het scherm van het product wordt ingedrukt. Daarna begint het proces opnieuw. Wanneer de deur van het apparaat wordt gesloten, wordt het deur open alarm geannuleerd.

7.8 Vouwbaar wijnrek

Dit biedt de gebruiker de mogelijkheid wijnflessen te bewaren indien nodig. Als u het rek wenst te gebruiken, neemt u het plastic deel vast en trekt u het zachtjes omlaag. U kunt nu het vouwbaar wijnrek gebruiken.

 Het is raadzaam maximaal van 2 wijnflessen te bewaren in het vouwbare wijnrek.



Als u het wijnrek wilt groeperen, moet u eerst de glazen lade verwijderen uit de koelkast. Plaats het op de glazen plaat door het plastic deel door de groeven voor- en achteraan te duwen zoals weergegeven in de afbeelding. Het product is klaar voor gebruik met het vouwbaar wijnrek.

Als u het vouwbare wijnrek wilt verwijderen moet u eerst de glazen lade verwijderen uit de koelkast. Houd het plastic onderdeel vast en duw het in gelijk welke richting. U kunt u het product gebruiken zonder vouwbaar wijnrek indien nodig.

7.9 De lamp vervangen

Bel de geautoriseerde service als de lamp/led in uw koelkast moet worden vervangen. De lamp(en) in dit apparaat mogen niet worden gebruikt voor de verlichting van uw huis. Het beoogde gebruik van deze lamp is de gebruiker te helpen etenswaren veilig en comfortabel in de koelkast/diepvriezer te plaatsen.

7.10 AeroFlow

Dit is een luchtdistributiesysteem dat zorgt voor een homogene verspreiding van de temperatuur. De luchtcirculatie zorgt voor de gelijke verspreiding van de temperatuur in het vak van de verse etenswaren en de temperatuurschommelingen worden beperkt. Er wordt geen lucht rechtstreeks over de etenswaren geblazen en dit helpt het

vochtverlies te beperken. Het bewaart de versheid van de etenswaren bewaard in het vak voor verse etenswaren van de koelkast. Zo worden uw etenswaren aan een stabilere temperatuur bewaard en wordt het contact met de lucht beperkt. Het drogen en krimpen van etenswaren door vochtverlies wordt voorkomen en zo blijven ze lang vers.

8 Onderhoud en reiniging



WAARSCHUWING!

Lees eerst het hoofdstuk "Veiligheidsinstructies".



WAARSCHUWING!

Verwijder de stekker uit het stopcontact voor u de koelkast reinigt.

- Gebruik geen scherp of schurend gereedschap om het product te reinigen. Gebruik geen materiaal zoals huishoudelijke reinigingsmiddelen, zeep, schoonmaakmiddelen, gas, benzine, verdunner, alcohol, was, etc.
- Stof moet ten minste één maal per jaar van het ventilatierooster op de achterzijde van het product worden verwijderd (zonder het deksel te openen). Reinig het product met een vochtige doek.
- Zorg ervoor water uit de buurt van het lampdeksel en andere elektrische onderdelen te houden.
- Reinig de deur met een vochtige doek. Verwijder de inhoud om de deur en rekken te verwijderen. Verwijder de deurrekken door ze omhoog te tillen. Reinig en droog de laden en breng ze opnieuw aan door ze opwaarts te schuiven.
- Gebruik geen chloorwater of reinigingsproducten op de buitenzijde en de verchromde onderdelen van het product. Chloor veroorzaakt roest op dergelijke metalen oppervlakten.
- Gebruik geen scherpe en schurende middelen, zeep, huishoudelijke schoonmaakmiddelen, oplosmiddelen, gas, benzine,

vernis en gelijkaardige stoffen om vervormingen van het plastic onderdeel te voorkomen en de labels niet te verwijderen van het product. Gebruik warm water en een zachte doek om het te reinigen en droog het.

- Waterdruppels en ijsvorming tot een vinger dik kunnen voorkomen op de achterwand van het vriesvak op producten zonder een vorstvrije functie. Niet reinigen en breng geen olie of een gelijkaardig middel aan.
- Gebruik een licht vochtige microvezel doek om het externe oppervlak van het product te reinigen. Sponzen en andere soorten reinigingsdoeken kunnen het oppervlak krassen.
- Om alle verwijderbare onderdelen te reinigen tijdens de reiniging van de binnenzijde van het product moet u deze onderdelen wassen met een zachte oplossing van zeep, water en koolzuurzout. Grondig wassen en drogen. Vermijd contact van het water met de verlichting en het bedieningspaneel.



OPGELET:

Gebruik geen azijn, ontsmettingsalcohol of andere alcohol-gebaseerde middelen op de interne oppervlakken.

Roestvrij stalen externe oppervlakken

Gebruik een niet-schurend roestvrij staal reinigingsmiddelen en breng het aan met een zachte pluivrije doek. Om te poetsen, moet u het oppervlak zacht wrijven met een in water bevochtigde microfibre doek en gebruik een droog zeemvel. Volg altijd de richting van het roestvrij staal.

Geurtjes voorkomen

Het product wordt gefabriceerd zonder slecht ruikend materiaal. Hoewel, als de etenswaren in incorrecte secties worden bewaard en een incorrecte reiniging van de interne oppervlakken kan resulteren in onaangename geurtjes.

9 Probleemoplossen

Controleer deze lijst voor u contact opneemt met de service. Zo kunt u tijd en geld besparen. Deze lijst omvat vaak voorkomende klachten die niet zijn gerelateerd aan slecht vakmanschap of defect materiaal. Sommige functies die hier worden vermeld, zijn mogelijk niet van toepassing op uw product.

De koelkast werkt niet.

- De stekker is niet volledig correct ingebracht. >>> Steek de stekker volledig in het stopcontact.
- De zekering van de stekker van het product of de hoofdzekering is gesprongen. >>> Controleer de zekering.

Condensatie op de zijwanden van het koelvak (MULTI ZONE, COOL CONTROL en FLEXI ZONE).

- De deur wordt te vaak geopend. >>> Zorg ervoor de deur van het product niet te vaak te openen.
- De omgeving is te vochtig. >>> U mag uw product niet in een vochtige omgeving installeren.
- Etenswaren die vloeistof bevatten worden bewaard in niet-afgedekte containers. >>> Bewaar de etenswaren die vloeistof bevatten in afgedekte containers.

- Om dit te vermijden, moet u de binnenzijde iedere 15 dagen reinigen met zuurhoudend water.
- Bewaar de etenswaren in afgedekte containers, want micro-organismen die ontsnappen uit niet-afgedekte containers zullen onaangename geurtjes veroorzaken.
- Bewaar geen verstreken en bedorven etenswaren in de koelkast.

Bescherming van plastic oppervlakken.

Oliespatten op plastic oppervlakken kunnen de oppervlakte beschadigen en moeten onmiddellijk worden verwijderd met warm water.

- De deur van het product wordt open gelaten. >>> Houd de deur van het product niet te lang open.
- De thermostaat is ingesteld op een zeer koude temperatuur. >>> Stel de thermostaat in op een gepaste temperatuur.

De compressor werkt niet.

- In het geval van een plotse stroomstoring of wanneer u de stekker uit het stopcontact verwijdert en opnieuw invoert, is de gasdruk van het koelsysteem van het product niet in evenwicht, wat de thermische beveiliging van de compressor activeert. Het product start opnieuw op na ca. 6 minuten. Als het product niet herstart na deze periode moet u contact opnemen met de service.
- Ontdooien is actief. >>> Dit is normaal voor een volledig automatisch ontdooiend product. Af en toe wordt het product ontdooid.
- De stekker van het product zit niet in het stopcontact. >>> Zorg ervoor dat de stekker correct is aangebracht.
- De temperatuurinstelling is incorrect. >>> Selecteer de gepaste temperatuurinstelling.
- De stroom is uitgeschakeld. >>> Het product blijft normaal werken wanneer de stroom opnieuw wordt ingeschakeld.

De koelkast maakt meer lawaai wanneer de koelkast is ingeschakeld.

- De prestatie van het product kan variëren naargelang de schommelingen in de omgevingstemperatuur. Dit is normaal en is geen defect.

De koelkast schakelt te vaak of te lang in.

- Het nieuwe product kan groter zijn dan het vorige. Grotere producten werken gedurende langere perioden.
- De kamertemperatuur kan hoog zijn. >>> Het product werkt doorgaans gedurende lange perioden bij een hoge kamertemperatuur.
- Het is mogelijk dat de stekker nog niet lang in het stopcontact is gestoken of dat een nieuw voedsel item in het product is geplaatst. >>> Het duurt langer voor het product om de ingestelde temperatuur te bereiken of er is een nieuw voedsel item in het product geplaatst. Dit is normaal.
- Er zijn mogelijk grote hoeveelheden warme etenswaren in het product geplaatst. >>> Plaats geen warme etenswaren in het product.
- De deuren zijn vaak geopend of gedurende lange perioden open gehouden. >>> De warme lucht in het product zorgt ervoor dat het langer moet inschakelen. Open de deuren niet te vaak.
- De deur van de diepvriezer of koeler staat mogelijk op een kier. >>> Controleer of de deuren volledig gesloten zijn.
- Het product is mogelijk ingesteld op een te lage temperatuur. >>> Stel de temperatuur hoger in en wacht tot het product de aangepaste temperatuur heeft bereikt.
- De deurpakking van de koeler of diepvriezer kan vuil, versleten, gebroken zijn of niet correct aangebracht. >>> Reinig of vervang de pakking. Als de deurpakking beschadigd / gescheurd is, zal het product langer inschakelen om de huidige temperatuur te behouden.

De temperatuur van de diepvriezer is zeer laag, maar de koelertemperatuur is toereikend.

- De temperatuur van het vriesvak is zeer laag ingesteld. >>> Stel de temperatuur van het vriesvak hoger in en controleer opnieuw.

De temperatuur van de koeler is zeer laag, maar de temperatuur van de diepvriezer is toereikend.

- De temperatuur van het koelvak is zeer laag ingesteld. >>> Stel de temperatuur van het koelvak hoger in en controleer opnieuw.

De etenswaren in het koelvak zijn bevroren.

- De temperatuur van het koelvak is zeer laag ingesteld. >>> Stel de temperatuur van het koelvak hoger in en controleer opnieuw.

De temperatuur in de koeler of diepvriezer is te hoog.

- De temperatuur van het koelvak is zeer hoog ingesteld. >>> De temperatuurinstelling van het koelvak heeft een effect op de temperatuur in het vriesvak. Wacht tot de temperatuur van de relevante onderdelen het toereikende niveau bereikt door de temperatuur van het koel- of vriesvak te wijzigen.
- De deuren zijn vaak geopend of gedurende lange perioden open gehouden. >>> Open de deuren niet te vaak.
- De deur staat mogelijk op een kier. >>> Sluit de deur volledig.
- Het is mogelijk dat de stekker nog niet lang in het stopcontact is gestoken of dat een nieuw voedsel item in het product is geplaatst. >>> Dit is normaal. Het duurt langer voor het product om de ingestelde temperatuur te bereiken of er is een nieuw voedsel item in het product geplaatst.
- Er zijn mogelijk grote hoeveelheden warme etenswaren in het product geplaatst. >>> Plaats geen warme etenswaren in het product.

Schudden of lawaai.

- Het oppervlak is niet vlak of stevig >>> Als het product schudt wanneer het langzaam wordt verplaatst, kunt u de voetjes aanpassen om het product in evenwicht te brengen. Zorg er ook voor dat de bodem voldoende stevig is om het gewicht van het product te dragen.
- Alle voorwerpen die op het product worden geplaatst kunnen lawaai veroorzaken. >>> Verwijder alle voorwerpen die op het product zijn geplaatst.
- Het product maakt lawaai van stromende vloeistof, sprays, etc.
- De werking van het product omvat de stroom van vloeistoffen en gas. >>> Dit is normaal en is geen defect.

Er komt lawaai als blazende wind uit het product.

- Het product gebruikt een ventilator voor het koelproces. Dit is normaal en is geen defect.

Er is condensatie op de interne wanden van het product.

- Warm of vochtig weer verhoogt de vorming van ijs en condensatie. Dit is normaal en is geen defect.
- De deuren zijn vaak geopend of gedurende lange perioden open gehouden. >>> U mag de deuren niet te vaak openen; als ze open is, moet u de deur sluiten.
- De deur staat mogelijk op een kier. >>> Sluit de deur volledig.

Er is condensatie op de buitenzijde of tussen de deuren van het product.

- De weersomstandigheden kunnen vochtig zijn. Dit is normaal bij vochtig weer. >>> De condensatie verdwijnt wanneer de vochtigheidsgraad afneemt.

De binnenzijde ruikt niet lekker.

- Het product wordt niet regelmatig gereinigd. >>> Reinig de binnenzijde regelmatig met een spons, warm water en koolzuurhoudend water.

- Bepaalde containers en verpakkingen kunnen geurtjes afgeven. >>> Gebruik containers en verpakking dat geen geurtjes afgeeft.
- De etenswaren zijn in niet-afgedekte containers verpakt. >>> Bewaar de etenswaren in afgedekte containers. Micro-organismen kunnen zich verspreiden uit niet-afgedekte etenswaren en onaangename geurtjes veroorzaken.
- Verwijder alle verstreken of bedorven etenswaren uit het product.

De deur sluit niet.

- Er zijn mogelijk etenswaren die de deur blokkeren. >>> Verplaats eventuele etenswaren die de deur blokkeren.
- Het product staat niet loodrecht op de grond. >>> Pas de voetjes aan om het product in evenwicht te brengen.
- Het oppervlak is niet vlak of stevig >>> Zorg ervoor dat het oppervlak vlak is en voldoende stevig om het product te dragen.

De crisper is geblokkeerd.

- De etenswaren kunnen in contact staan met de bovenste sectie van de lade. >>> Herorganiseer de etenswaren in de lade.

De temperatuur op het oppervlak van het product.

- De hoge temperatuur wordt mogelijk gehandhaafd tussen beide deuren, op de zijpanelen en op het rooster achteraan terwijl het product is ingeschakeld. Dit is normaal en vereist geen interventie van het onderhoudspersoneel.

De ventilator blijft ingeschakeld wanneer de deur is geopend.

- De ventilator blijft ingeschakeld wanneer de deur van de diepvriezer is geopend.



WAARSCHUWING! Als het probleem aanhoudt nadat de instructies in dit hoofdstuk werden nageleefd, kunt u contact opnemen met uw verkoper of een geautoriseerde dienst. Probeer het product nooit zelf te repareren. Dit is normaal.

DISCLAIMER / WAARSCHUWING

Sommige (eenvoudige) defecten kunnen correct worden behandeld door de eindgebruiker zonder dat dit aanleiding geeft tot veiligheidsproblemen of een onveilig gebruik, op voorwaarde dat ze worden uitgevoerd binnen de limieten en in overeenstemming met de volgende instructies (zie het hoofdstuk "Zelf-reparatie").

Om die reden, tenzij anderzijds toegelaten in het onderstaande hoofdstuk 'Zelf-reparatie', moeten reparaties worden uitgevoerd door geregistreerde professionele monteurs om veiligheidsproblemen te voorkomen. Een geregistreerde professionele monteur is een professionele monteur die toegang heeft gekregen tot de instructies en de lijst met reserveonderdelen van dit product door de fabrikant, in overeenstemming met de methoden beschreven in wetsbesluiten in overeenstemming met Richtlijn 2009/125/EC.

Hoewel, de onderhouds- en reparatiewerken in het kader van de garantievoorwaarden mogen uitsluitend worden uitgevoerd door de gespecialiseerd vertegenwoordiger (m.a.w. geautoriseerde professionele monteurs) die u kunt bereiken via het telefoonnummer vermeld in de gebruikshandleiding/garantiekaart of via uw geautoriseerde verdeler. Om die reden zullen reparaties die worden uitgevoerd door professionele monteurs (die niet zijn geautoriseerd door) Beko de garantie nietig verklaren.

Zelf-reparatie

De eindgebruiker kan de volgende reserveonderdelen zelf repareren: deur handgrepen, scharnieren, schotels, manden en deuropakkingen (een bijgewerkte lijst is ook beschikbaar support.beko.com vanaf 1 maart 2021).

Bovendien, om de veiligheid van het product te garanderen en het risico van ernstig letsel te voorkomen, moet de vermelde zelf-reparatie worden uitgevoerd in overeenstemming met de instructies in de handlei-

ding voor zelf-reparatie of die beschikbaar zijn in support.beko.com . Uit veiligheidsoverwegingen moet u de stekker van het product loskoppelen voor u zelf-reparatie probeert uit te voeren.

Reparaties en pogingen tot reparaties door eindgebruikers van onderdelen die niet zijn omvat in deze lijst en/of waarbij de instructies in de handleiding voor zelf-reparatie of die beschikbaar zijn in support.beko.com niet worden nageleefd, kunnen resulteren in veiligheidsproblemen die niet kunnen worden toegewezen aan Beko en deze zullen de garantie van het product nietig verklaren.

Om die reden raden wij ten stelligste af dat eindgebruikers op eigen houtje reparaties proberen uit te voeren die buiten de vermelde lijst van reserveonderdelen vallen en in dergelijke situaties beroep doen op een geautoriseerde professionele monteur of geregistreerde professionele monteurs. Dergelijke pogingen van eindgebruikers kunnen daarentegen veiligheidsproblemen en schade aan het product veroorzaken en resulteren in brand, overstromingen, elektrische schokken en ernstig persoonlijk letsel.

Bijvoorbeeld, maar niet beperkt tot, moeten de volgende reparaties worden uitgevoerd door geautoriseerde of geregistreerde professionele monteurs: compressoren koelcircuit, moederbord, inverterbord, weergavepaneel,, etc.

De fabrikant/verkoper kan niet aansprakelijk worden gesteld wanneer eindgebruikers de bovenstaande instructies niet naleven.

De reserveonderdelen van uw koelkast die u hebt gekocht, zullen 10 jaar lang beschikbaar blijven. Tijdens deze periode zijn de originele reserveonderdelen beschikbaar voor de correcte werking van de koelkast.

De minimale duur van de garantie van de koelkast die u hebt gekocht, is 24 maanden.

Dit product is uitgerust met een lichtbron van de "G"-energieklasse.

De lichtbron in dit product mag enkel worden vervangen door een professionele reparateur.

Zie ook

2 CLAUSE DE NON-RESPONSABILITÉ /
AVERTISSEMENT [] 56]

NL

