

72" Built-In Trim Kit for Dual Refrigerator Installation

72" BUILT-IN TRIM KIT



Two Beko refrigerators can be combined in a single cutout using our 72" trim kit to create a premium built-in look. This trim kit is suitable for new installations with applicable models only and requires a joining kit.

Joining Kit Part Number:
6161530100*

*Needs to be ordered separately from parts department

APPLICABLE MODELS

BFBF30116SS

BFBF30116SSIM

BFBF30216SS

BFBF30216SSSL

BFBF30216SSIM

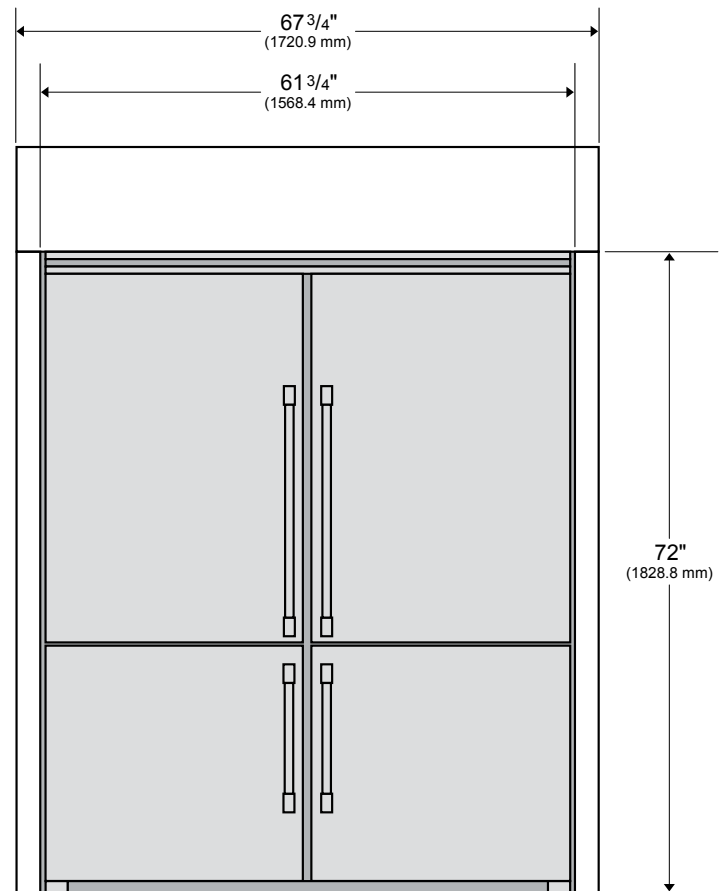
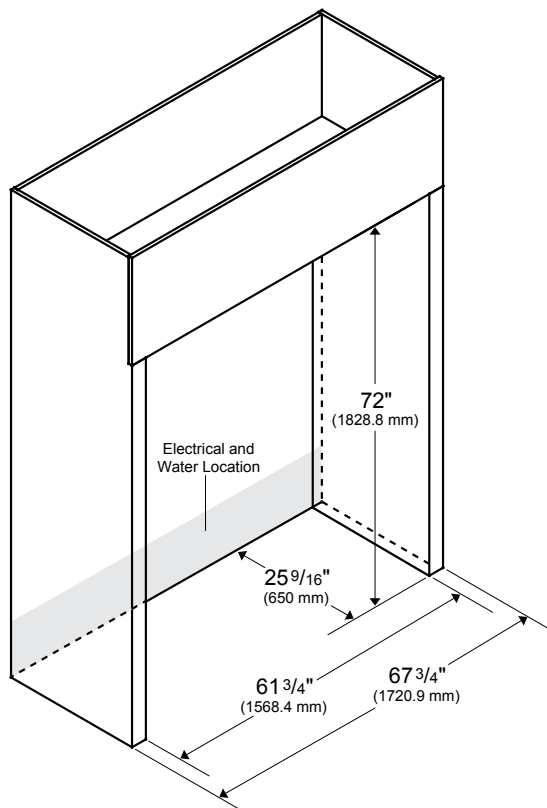
BFBF30216SSIML

BFBD30216SS

BFBD30216SSSL

BFBD30216SSIM

BFBD30216SSIML



NOTE: Dual refrigerator installation requires 2 recessed electrical outlets and a water hookup for models with ice maker. Adequate water pressure is required for proper ice production. Both units can be supplied by the same water line as long as the pressure is adequate for both units. A pressure booster may be necessary for proper pressures.

NOTE TO THE INSTALLER: All height, width, and depth dimensions are shown in inches (as well as metric). Beko U.S., Inc. reserves the absolute and unrestricted right to change product materials and specifications, at any time, without notice. Please visit our website, www.BekoAppliances.com, or call 888.352.2356 to verify the latest specifications with final dimensional data and other details prior to installation and making a cutout. Applicable product limited warranty information may be found in accompanying product materials, or you may contact your account manager for further details. Proper installation is the responsibility of the installer. Product failure due to improper installation is not covered under the Limited Warranty.