

BBBF3019IMWE



30" Built-In Bottom Freezer Refrigerator, Panel Ready



GENERAL PROPERTIES

Type	Built-in
Style	Bottom Freezer
Finish	Panel Ready
Metal Back Wall	–
Cooling System	NeoFrost™ Dual Cooling Technology
Control System	Electronic Controls
Control Display Type & Location	Digital LED Display, Interior
Child Lock	Yes
Connectivity	–

CAPACITY

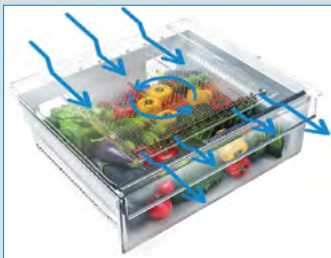
Total Net Volume	16.4 cu. ft.
Fresh Food Net Volume	11.6 cu. ft.
Freezer Net Volume	4.8 cu. ft.

Also Available:
BBBF3019IMWESS - Factory-Installed Stainless Steel Panels



CEE Tier 1

PREMIUM TECHNOLOGY



EVERFRESH+™ WITH ACTIVE FRESH BLUE LIGHT

Our EverFresh+ with Active Fresh Blue Light technology keeps fresh food fresher three times longer than the average refrigerator – for up to 30 days! Our technology retains vitamins and nutrients that simulates natural lighting conditions, extending the photosynthesis process of fruits and vegetables in your refrigerator.



IONGUARD®

Advanced IonGuard® technology creates a fresh air environment inside your refrigerator to protect and preserve foods longer and eliminate odor transfer.

*The fridge compartment will not work properly in low temperatures, so we recommend you only use the freezer compartment in low ambient temperatures.



TURBO ICE MAKER

When you first come inside on a hot day, pour drinks for the crew after practice, or entertain friends and family, you count on your refrigerator to have plenty of ice on hand. That's why the Beko Turbo Ice Maker can generate a cool 11 pounds of ice in just 24 hours—that's an industry-leading ice making capacity.



FREEZE GUARD

Beko Freeze Guard technology uses an inverter compressor and electronic temperature control system to ensure the freezer continues to work in ambient temperatures as low as 5° F, without any loss of performance.*

BBBF3019IMWE



30" Built-In Bottom Freezer Refrigerator, Panel Ready

PERFORMANCE	
Fresh Food Temperature Range*	33° F to 46° F
Freezer Temperature Range*	-8° F to 5° F
Environment Temperature Range	Operates in Temperatures Between 32° F and 110° F
Freeze Guard	Yes, Freezer Operates in Temperatures as Low as 5° F
Modes	On/Off Power, On/Off Icemaker, Temperature Control, Water Filter Reset, Quick Freeze, Vacation, Sabbath, Economy
Compressor	Dual Compressors
ENERGY STAR® Certified	Yes
Annual Energy Consumption	556 kWh/year

FRESH FOOD FEATURES	
Internal Filtered Water Dispenser	Yes, Concealed
Water Filter with Alert (6 Months)	Yes
Crispers	1 - Full-Width, Humidity Controlled
EverFresh+™ Crispers	Yes
Active Fresh Blue Light™ Crispers	Yes
Full-Width Deli Drawer	Yes
Shelves	3 - Full-Depth, Safety Glass (3 Adjustable)
Total Number of Door Bins	3
Gallon-Sized Door Bins	2
Dairy Compartment	Yes
Odor Control Technology	IonGuard®
Sabbath Mode	Yes
Eco-Mode	Yes
Door Open Alarm	Yes
Interior Illumination	LED - Side Walls and Ceiling

FREEZER FEATURES	
Freezer Configuration	Drawer
Freezer Drawers / Baskets / Bins	1 Removable Drawer
Freezer Interior Illumination	Yes
Automatic Ice Maker	Turbo, Makes up to 11 lbs./Day
Auto Defrost	Yes

TECHNICAL INFORMATION	
Volts / Frequency	120 V / 60 Hz
Rated Current (A)	2 A
Min. Circuit Breaker Size	15 Amp
Sound Level	44 dBA
Refrigerant Type	R600a
Plug Type	NEMA 3-Prong
Power Cord Length	6 ft.
Reversible Doors	Yes

DIMENSIONS & WEIGHT	
Product (H x W x D) (in)	83 3/4 x 29 13/16 x 24 5/16
Height with Doors	83 3/4
Height of Cabinet	83 1/2
Depth With Handles	***
Depth Without Handles	24 5/16
Depth Without Doors	21 7/8
Carton (H x W x D) (in)	91 x 33 3/8 x 29 1/2
Product Weight (lbs)	476
Shipping Weight (lbs)	520.3

ACCESSORIES (INCLUDED)	
Water Filter	4874960100

ACCESSORIES (OPTIONAL)	
Replacement Water Filter	4874960100

* Actual temperatures may vary upon different options

*** Dimension will vary based on panel thickness and door handle design

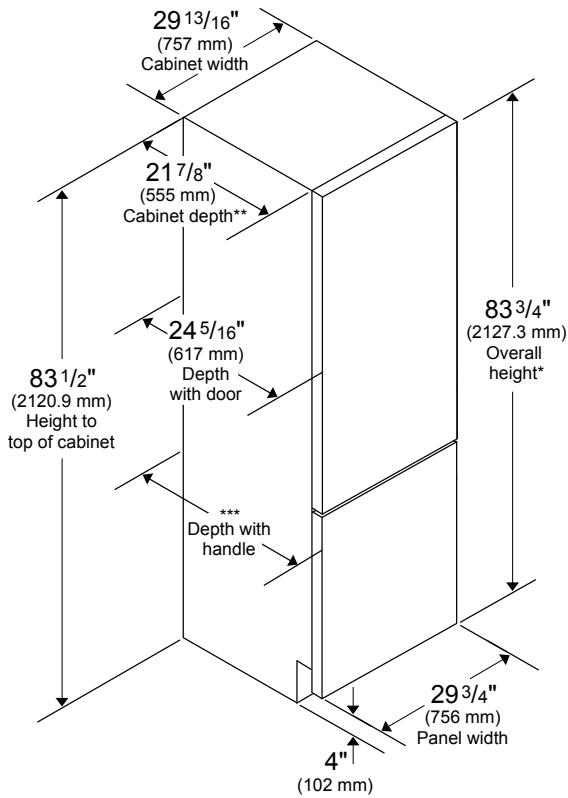
BBBF3019IMWE



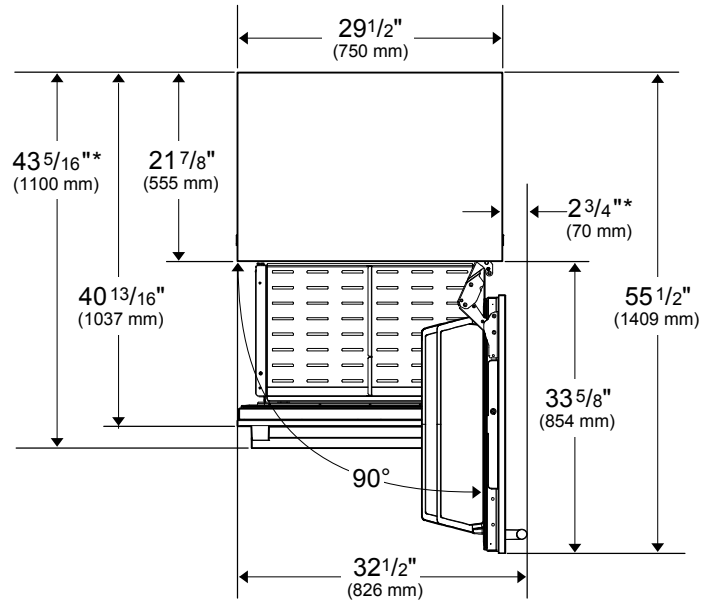
30" Built-In Bottom Freezer Refrigerator, Panel Ready

WARRANTY

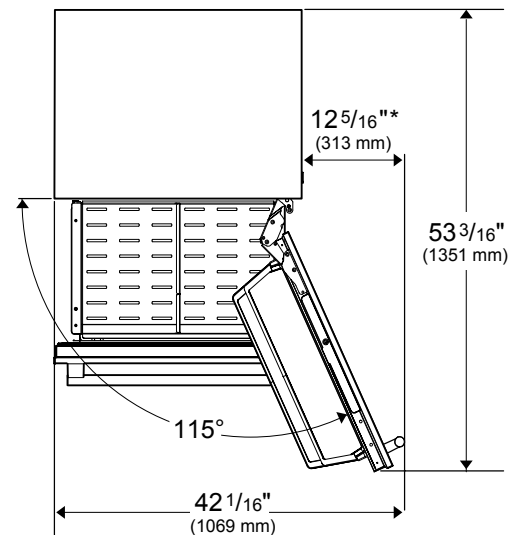
Entire Appliance (Parts & Labor)	2-year Full Warranty
Sealed System (Parts Only)	5-year Limited Warranty



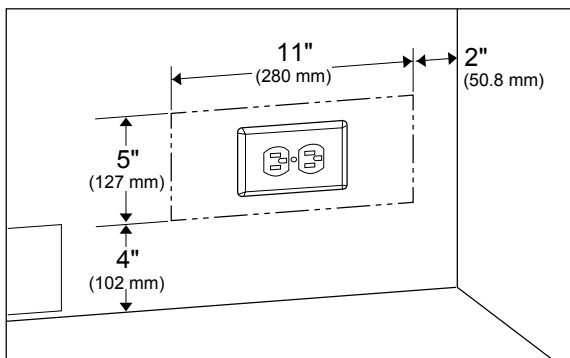
*Add 1" (25.4 mm) with front leveling feet fully extended
 **Add 1 3/4" (44.4 mm) for spacers on back
 ***Dimension varies based on panel thickness and door handle design



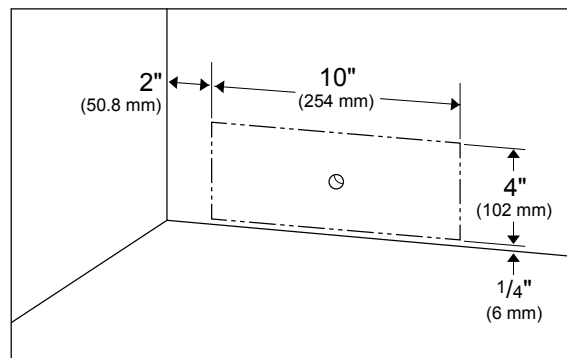
*Dimension may vary based on panel thickness and door handle design (panel ready model only)



Electrical Location



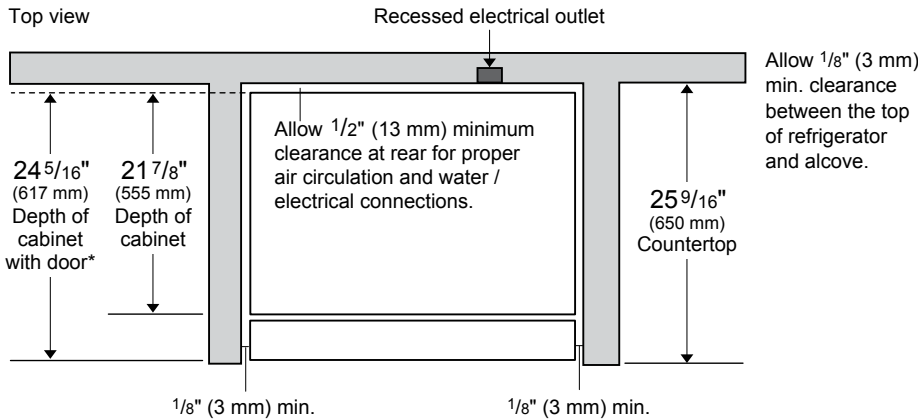
Water Location (Models with Ice Maker)



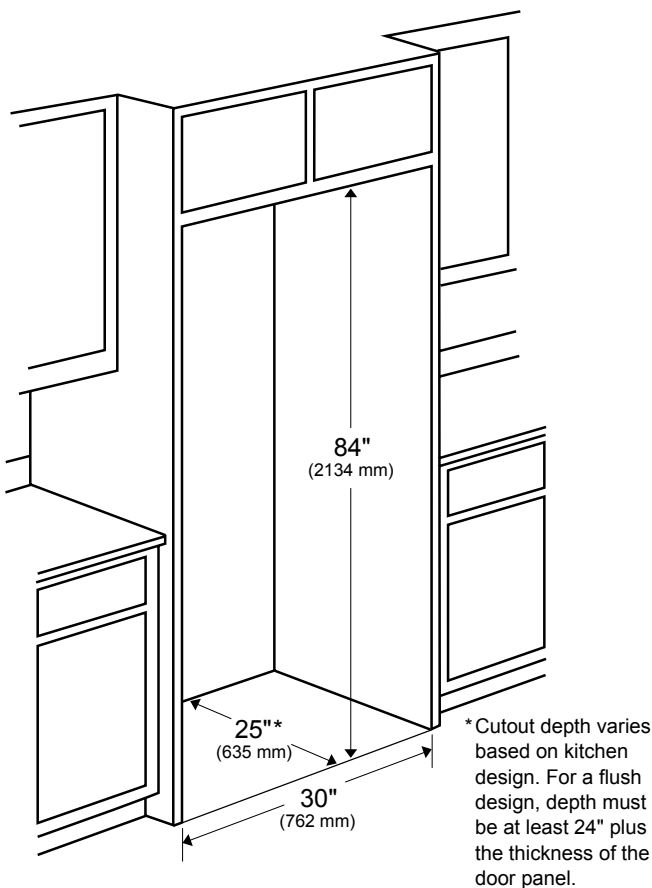
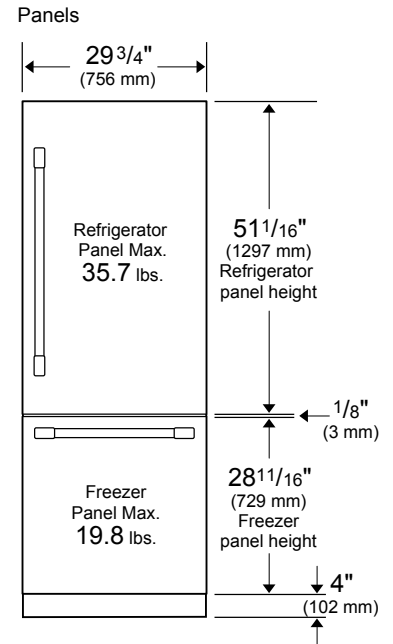
BBBF3019IMWE



30" Built-In Bottom Freezer Refrigerator, Panel Ready



*Dimension may vary based on panel thickness and door handle design (panel ready model only)



NOTE TO THE INSTALLER: All height, width, and depth dimensions are shown in inches (as well as metric). Beko U.S., Inc. reserves the absolute and unrestricted right to change product materials and specifications, at any time, without notice. Please visit our website, www.BekoAppliances.com, or call 888.352.2356 to verify the latest specifications with final dimensional data and other details prior to installation and making a cutout. Applicable product limited warranty information may be found in accompanying product materials, or you may contact your account manager for further details. Proper installation is the responsibility of the installer. Product failure due to improper installation is not covered under the Limited Warranty.