

BFFD3624SS



36" French Door Refrigerator with Ice Maker



CEE Tier 1

GENERAL PROPERTIES

Cooling System	NeoFrost Dual Cooling Technology
Control System	Electronic Control Display
Electronic control display type	Digital display on front top trim
Finish	Fingerprint-free Stainless Steel with Finished Gray Sides

CAPACITY

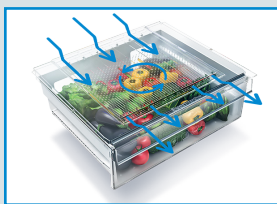
Total Net Volume	19.86 cu. ft.
Fresh Food Net Volume	13.30 cu. ft.
Freezer Net Volume	6.56 cu. ft.

PERFORMANCE

Fresh Food Temperature Range*	33° F to 46° F
Freezer Temperature Range*	-8° F to 5° F
Freeze Guard	Works in Temperatures between 32° F and 110° F
Modes	On/Off Power, On/Off Icemaker, Temperature Control, Water Filter Reset, Quick Freeze, Vacation, Sabbath, Quick Cool
Internal Filtered Water Dispenser with Alert (6 months)	Yes
ENERGY STAR® Certified	Yes
Annual Energy Consumption	566 kwh/year

*Actual temperatures may vary upon different options.

PREMIUM TECHNOLOGY



EVERFRESH+™ WITH ACTIVE FRESH BLUE LIGHT

Our EverFresh+ with Active Fresh Blue Light technology keeps fresh food fresher three times longer than the average refrigerator – for up to 30 days! Our technology retains vitamins and nutrients that simulates natural lighting conditions, extending the photosynthesis process of fruits and vegetables in your refrigerator.



IONGUARD

Advanced IonGuard technology creates a fresh air environment inside your refrigerator to protect and preserve foods longer and eliminate odor transfer.



TURBO ICE MAKER

When you first come inside on a hot day, pour drinks for the crew after practice, or entertain friends and family, you count on your refrigerator to have plenty of ice on hand. That's why the Beko Turbo Ice Maker can generate a cool 11 pounds of ice in just 24 hours—that's an industry-leading ice making capacity.



FREEZE GUARD

Beko freezers will work in ambient temperatures between 32°F and 110°F without any loss of performance at any pre-set temperature of the unit, thanks to effective usage of inverter compressor and electronic control technology.

BFFD3624SS



36" French Door Refrigerator with Ice Maker

FRESH FOOD	
EverFresh+	Yes
Active Fresh Blue Light	Yes
IonGuard	Yes
Interior Filtered Water Dispenser	Yes
Door Open Alarm	Yes
XL Deli Drawer	Yes
Gallon-sized Inner Door Bins	2 - one on each door
FlexiLift™ Door Shelves	Yes
Auto Defrost	Yes
Inner Illumination	LED - Side walls and ceiling
Shelves	4 Full Depth Glass Shelves
Crispers	2 - Humidity Controlled
Door Racks	6
Compressor	Variable Speed VCC

FREEZER	
Interior Illumination	Yes
Number of Freezer Drawers	1
Auto Defrost	Yes
Turbo Ice Maker	Makes 11 lbs. / day

TECHNICAL INFORMATION	
Required Power Supply	120 V / 60 Hz
Rated Current	2.7 A
Noise Level	44 dBA
Refrigerant	R134a
Plug Type	NEMA 3-Prong
Power Cord Length	6 ft.

DIMENSIONS	
H x W x D (in)	69 ⁷ / ₈ x 35 ³ / ₄ x 29 ¹¹ / ₁₆
H x W x D (mm)	1774 x 908 x 700
Height with Hinge Cap (in)	69 ⁷ / ₈
Width (in)	35 ³ / ₄
Depth with Handles (in)	29 ¹¹ / ₁₆
Depth without Handles (in)	27 ⁹ / ₁₆
Depth without Door (in)	23 ⁵ / ₈
Product Weight (lbs)	298
Product Weight (kg)	135
Packed Weight (lbs)	341.7
Packed Weight (kg)	155

* Depth is with door/without handles

WARRANTY	
All Products	2 -year Full Warranty
Sealed System Parts Only	5-year Warranty
ProSmart Inverter Motor	10-year Warranty – parts only

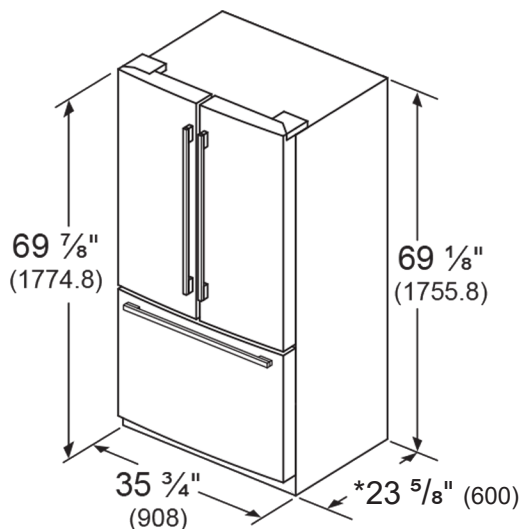
ACCESSORIES	
Water Filter	Model: 4874960100

BFFD3624SS



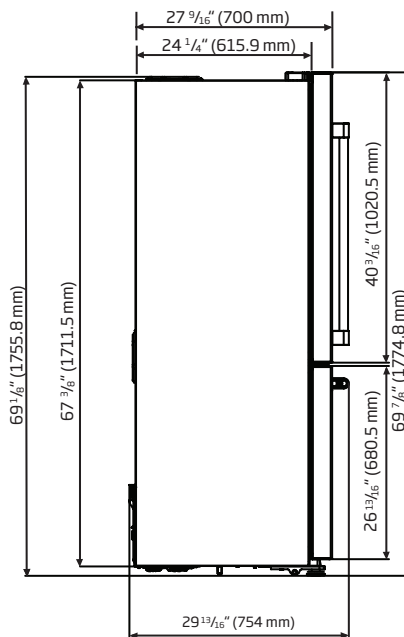
36" French Door Refrigerator with Ice Maker

All measurements in inches (mm)

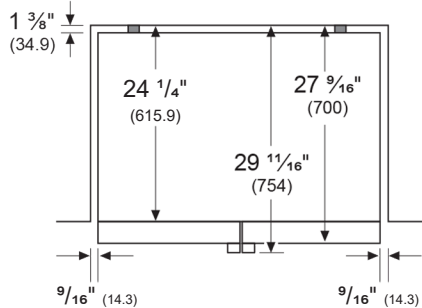


* Add 1 3/8" (35) in the back measurements for proper ventilation

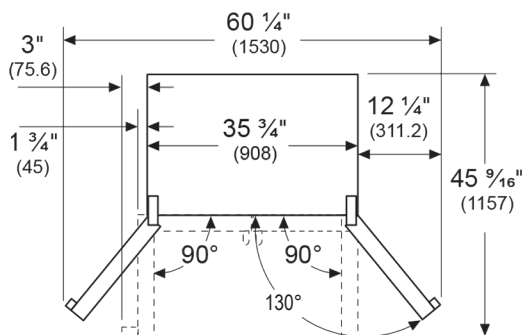
Side View



Top View

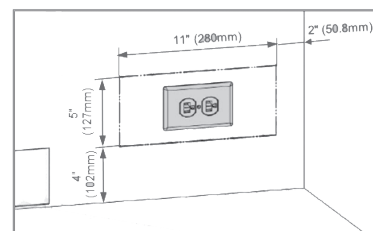


Top View

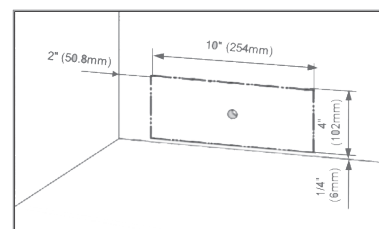


Drawers can be pulled out with door open to 90°. Drawers can be taken out with door completely opened.

Electrical



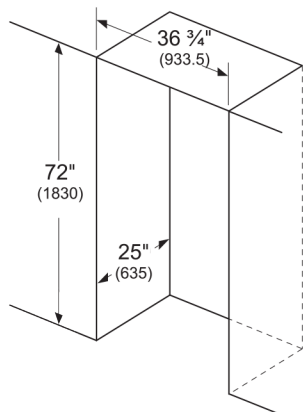
Plumbing



Required Minimum Clearances:

- Top: 2"
- Sides: 9/16" on each side
- Back: 1 3/8"

measurements in inches (mm)



Leave 2" (50.8) gap at the top and 1 3/8" (34.9) behind the refrigerator for proper ventilation.

It is recommended that you do not install the refrigerator near a heat source such as a stove or a range.

NOTE TO THE INSTALLER: All height, width, and depth dimensions are shown in inches (as well as metric). Beko U.S., Inc. reserves the absolute and unrestricted right to change product materials and specifications, at any time, without notice. Please visit our website, www.BekoAppliances.com, or call 888.352.2356 to verify the latest specifications with final dimensional data and other details prior to installation and making a cutout. Applicable product limited warranty information may be found in accompanying product materials, or you may contact your account manager for further details. Proper installation is the responsibility of the installer. Product failure due to improper installation is not covered under the Limited Warranty.