

BBBF2410



24" Built-In Bottom Freezer Refrigerator, Panel Ready



GENERAL PROPERTIES

Type	Built-in
Style	Bottom Freezer
Finish	Panel Ready
Metal Back Wall	–
Cooling System	NeoFrost™ Dual Cooling Technology
Control System	Electronic Controls
Control Display Type & Location	Digital LED Display on Front Top Trim
Child Lock	–
Connectivity	–

CAPACITY

Total Net Volume	8.4 cu. ft.
Fresh Food Net Volume	6.1 cu. ft.
Freezer Net Volume	2.3 cu. ft.



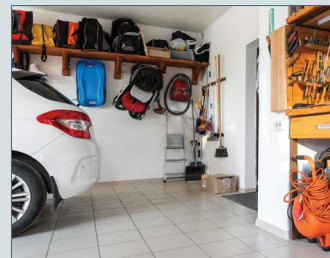
CEE Tier 1

PREMIUM TECHNOLOGY



NEOFROST™ DUAL COOLING TECHNOLOGY

NeoFrost™ Dual Cooling's separate cooling systems for each compartment maintain ideal air flow and optimal temperatures with a high level of humidity in both the freezer and the fridge.



FREEZE GUARD

Beko Freeze Guard technology uses an inverter compressor and electronic temperature control system to ensure the freezer continues to work in ambient temperatures as low as 5° F, without any loss of performance.*

*The fridge compartment will not work properly in low temperatures, so we recommend you only use the freezer compartment in low ambient temperatures.

BBBF2410



24" Built-In Bottom Freezer Refrigerator, Panel Ready

PERFORMANCE

Fresh Food Temperature Range*	33° F to 40° F
Freezer Temperature Range*	-11° F to 0° F
Environment Temperature Range	Operates in Temperatures Between 32° F and 110° F
Freeze Guard	Yes, Freezer Operates in Temperatures as Low as 5°F
Modes	On/Off Power, Temperature Control, Quick Freeze, Vacation, Quick Cool, Economy
Compressor	Variable Speed VCC
ENERGY STAR® Certified	Yes
Annual Energy Consumption	300 kWh/year

FRESH FOOD FEATURES

Crispers	1- Full-Width
Full-Width Deli Drawer	Yes
Shelves	4 - Full-Depth, Safety Glass (3 Adjustable)
Total Number of Door Bins	3
Gallon-Sized Door Bins	–
Odor Control Technology	–
Sabbath Mode	–
Eco-Mode	Yes
Door Open Alarm	Yes
Interior Illumination	LED On Ceiling

FREEZER FEATURES

Freezer Configuration	Swing Door
Freezer Drawers / Baskets / Bins	3 Removable Drawers
Freezer Interior Illumination	–
Automatic Ice Maker	–
Ice Cube Tray	Yes
Auto Defrost	Yes

TECHNICAL INFORMATION

Volts / Frequency	120 V / 60 Hz
Rated Current (A)	2.1 A
Min. Circuit Breaker Size	15 Amp
Sound Level	39 dBA
Refrigerant Type	R600a
Plug Type	NEMA 3-Prong
Power Cord Length	6 ft.
Reversible Doors	Yes

DIMENSIONS & WEIGHT

Product (H x W x D) (in)	69 ⁷ / ₈ x 23 ¹ / ₄ x 21 ⁵ / ₈
Height with Doors	69 ⁷ / ₈
Height of Cabinet	67 ³ / ₄
Depth With Handles	***
Depth Without Handles	21 ⁵ / ₈
Depth Without Doors	19 ¹³ / ₁₆
Carton (H x W x D) (in)	74 ¹ / ₂ x 23 ¹ / ₂ x 23 ¹ / ₂
Product Weight (lbs)	168
Shipping Weight (lbs)	176

WARRANTY

Entire Appliance (Parts & Labor)	2-year Full Warranty
Sealed System (Parts Only)	5-year Limited Warranty

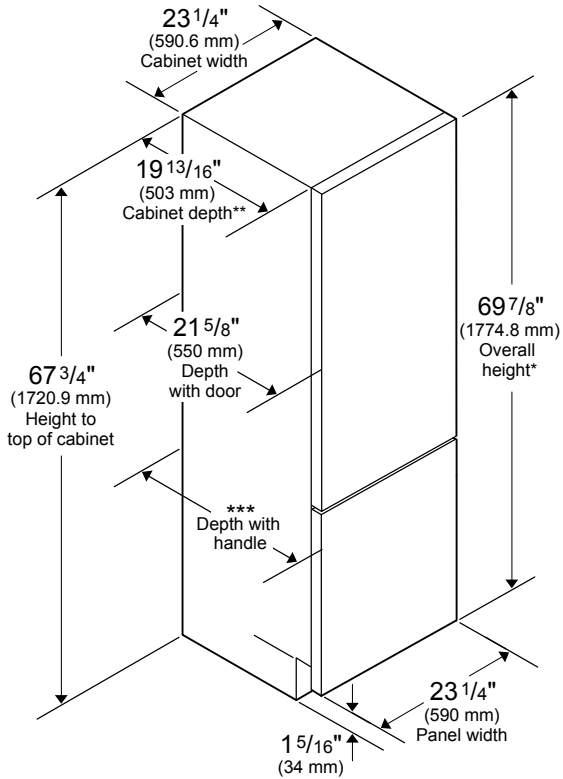
* Actual temperatures may vary upon different options

*** Dimension will vary based on panel thickness and door handle design

BBBF2410



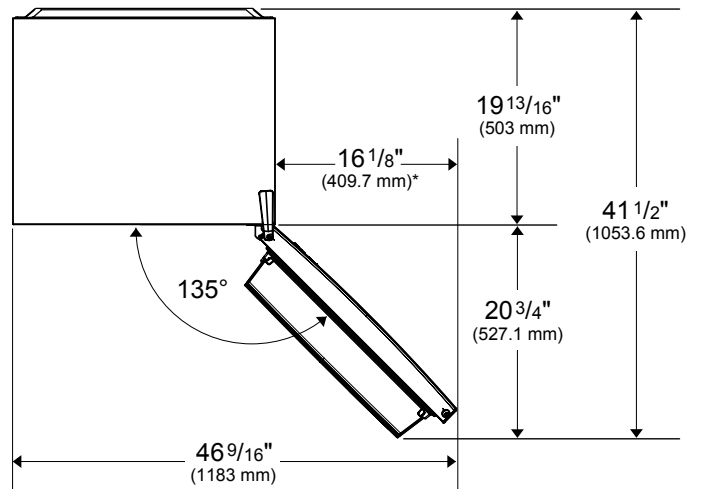
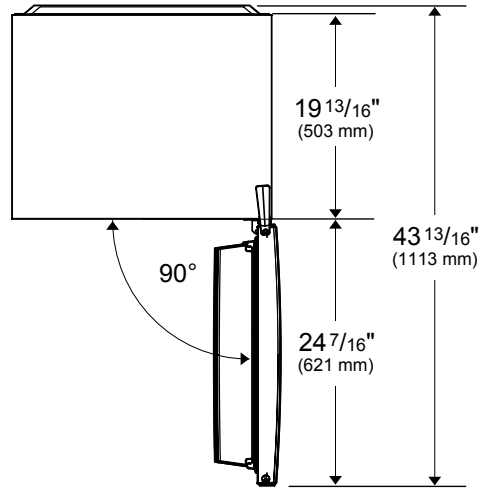
24" Built-In Bottom Freezer Refrigerator, Panel Ready



*With leveling feet fully extended

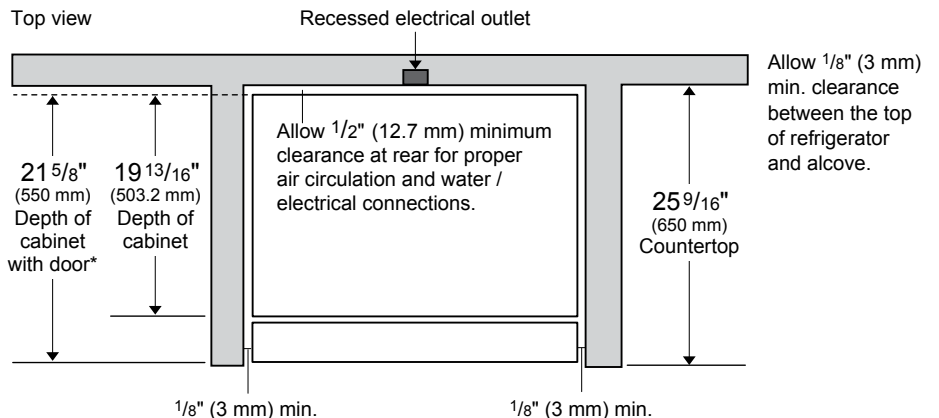
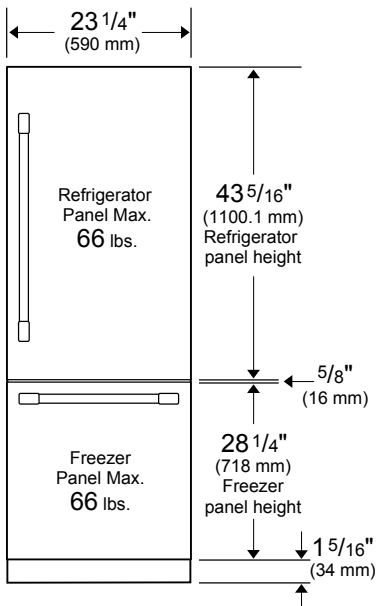
**Add 1 13/16" (46 mm) for spacers on back

***Dimension varies based on panel thickness and door handle design



*Dimension may vary based on panel thickness and door handle design

Custom Panels



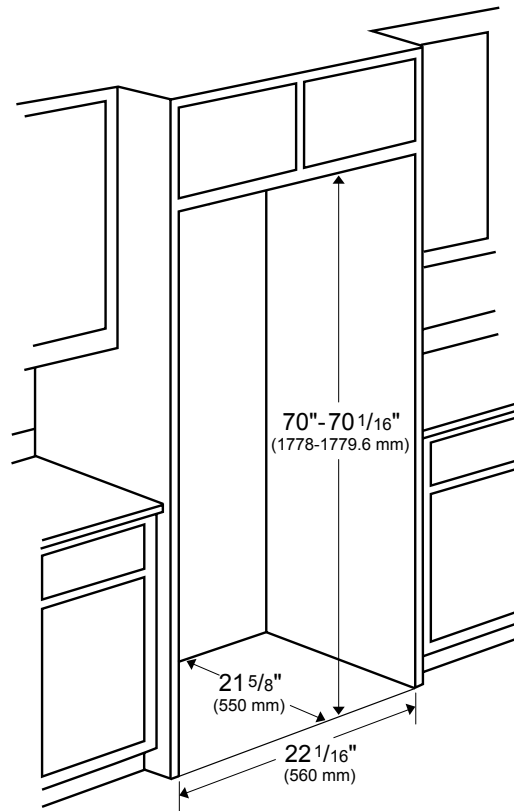
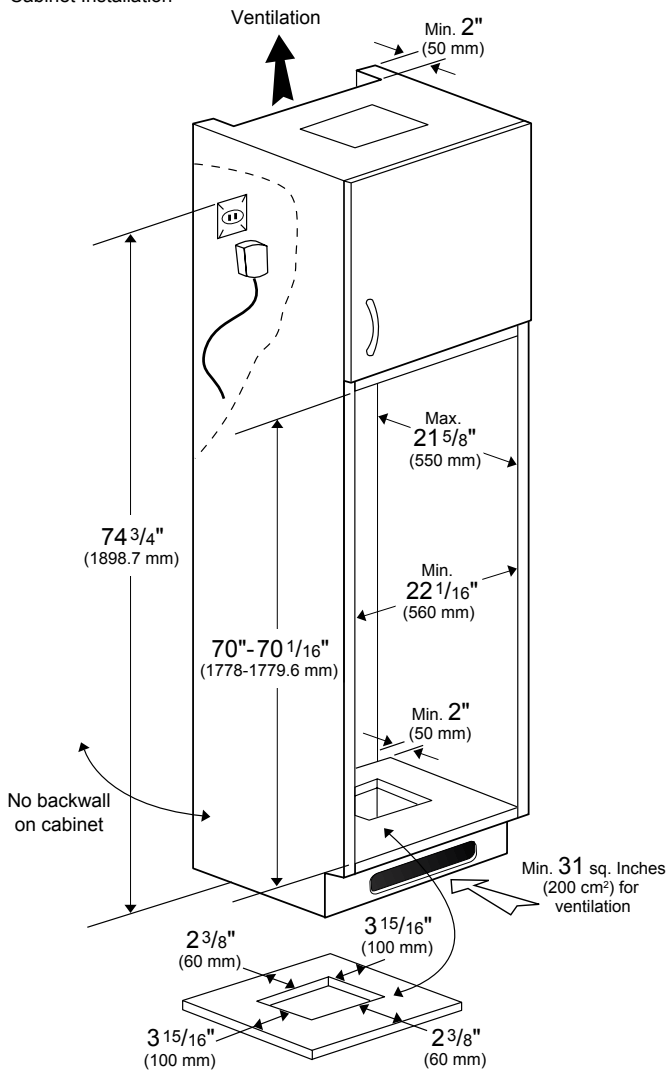
*Dimension may vary based on panel thickness and door handle design

BBBF2410

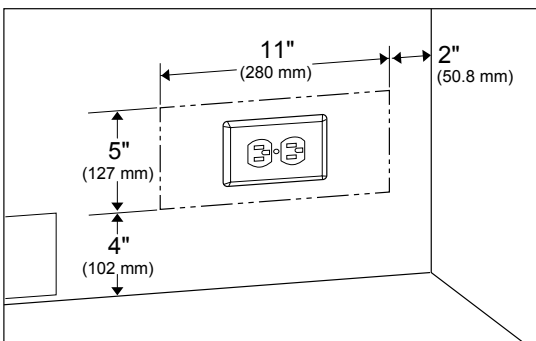


24" Built-In Bottom Freezer Refrigerator, Panel Ready

Cabinet Installation



Electrical Location



NOTE TO THE INSTALLER: All height, width, and depth dimensions are shown in inches (as well as metric). Beko U.S., Inc. reserves the absolute and unrestricted right to change product materials and specifications, at any time, without notice. Please visit our website, www.BekoAppliances.com, or call 888.352.2356 to verify the latest specifications with final dimensional data and other details prior to installation and making a cutout. Applicable product limited warranty information may be found in accompanying product materials, or you may contact your account manager for further details. Proper installation is the responsibility of the installer. Product failure due to improper installation is not covered under the Limited Warranty.