

BB06850MX**85 L Multifunction Aeroperfect™ 60 cm Built-in Oven**

Main Cavity Gross Volume
85 L

Number of Functions
7

Oven Feature
Aeroperfect™

Cleaning Feature
Catalytic Back Wall

Main Features

Oven feature:	Aeroperfect™ Technology
Gross Volume:	85 Litres
Net Volume:	72 Litres
Detachable Side Racks:	5 Levels
Standard Telescopic Shelving:	1 Level (Standard)
Control Type:	Knob
Grill Type:	Electric
Cooling Fan:	Yes
Max. Temperature:	295°C
Total Power Consumption:	2.4 kW
10 Amp lead & plug:	Yes

Design

Colour:	Black Glass, Stainless Steel
Illumination:	1 x Round (Top)
Layers of Door Glass:	3
Inner Door Type:	Full Glass (removable)

Cleaning

Catalytic Liner on Back Wall:	Yes
Easy Clean Inner Door Glass:	Yes
Simple Steam Cleaning:	Yes

Accessories

Standard Telescopic Shelving:	1 Level (Standard)
Cooking Tray (Standard):	1
Tray Rack (Standard):	1
Wire Shelf for Side Racks:	2

Functions

Number of Functions	7
	Conventional Heating
	Fan Assisted Cooking
	Fan Heating
	Top Heating with Fan
	Bottom Heating with Fan
	Electric Grill
	Defrost

Dimensions & Weights

Product external dimensions:	595 (H) x 594 (W) x 567 (D) mm
Built-in dimensions (cabinet):	See Diagram Page 2
Height:	590 mm
Width:	560 mm
Depth:	550 mm
Built-in dimensions (under bench):	See Diagram Page 2
Height:	600 mm
Width:	560 mm
Depth:	550 mm
Unpacked Weight:	32.1 kg
Packaged Height:	655 mm
Packaged Width:	660 mm
Packaged Depth:	660 mm
Packaged Weight:	36.6 kg

Sku:	7754886711
Ean Code:	8690842440120
Manufacturers Warranty:	2 Years + 3 Years by Registration
Launch Date:	May 2021

BB06850MX

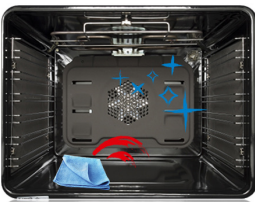
85 L Multifunction Aeroperfect™ 60 cm Built-In Oven



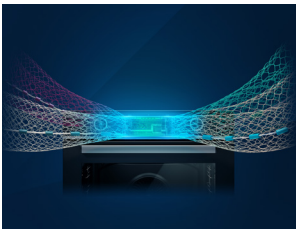
Aeroperfect™ Technology - Bake perfect cupcakes, roast a delicious Sunday dinner or use the grill to make a hearty but healthy breakfast. Aeroperfect™ technology provides uniform hot air distribution throughout the oven and minimises temperature fluctuation, ensuring even and precise cooking every time.



Large Capacity- We understand how busy your home life can get and how important it is to be able to cook more food in one go. Our large capacity ovens come in a huge 85 litres gross capacity, so you can cook everything you need for your family & friends.



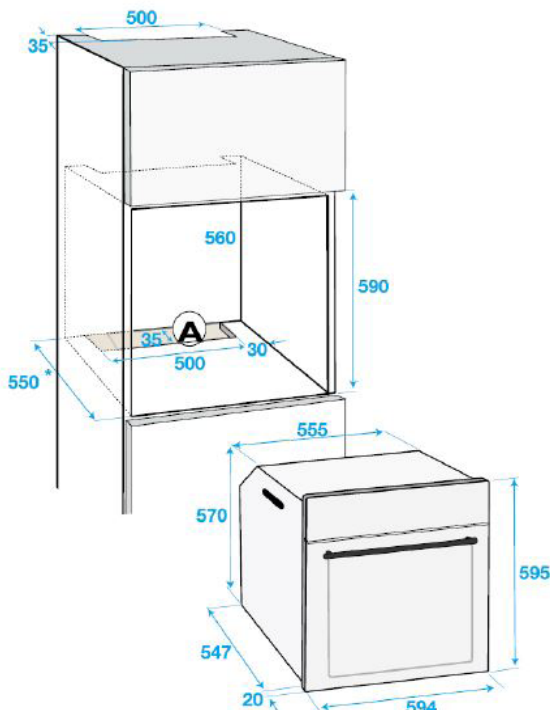
Catalytic Panels & Easy Clean Door- Offering an easy cleaning solution, the interior side & back has catalytic panels, absorbing grease & dirt. Cleaning your oven's door has never been easier with Beko's easy-to-remove inner glass door. Free of bolts you can comfortably slide the glass door out to help you clean even those hard-to-reach places.



Recycled Net- In the production of these ovens, in the parts of door décor plastic, display cover 5% fishing net waste & 65% industrial thread waste are used. And the inner display cover's 50% is made with industrial thread waste. Beko used 71 tons* of recycled fishnets and industrial thread waste in 2019 & 2020, transforming them into the new materials that go into our RecycledNet™ ovens.

*Parent company production in 2019 & 2020

Cabinet Dimensions



Under Counter Dimensions

