



Vacuum Cleaner

User Manual



VCO 6325 FD

EN



01M-8910653200-4220-01

CONTENTS

ENGLISH

04-11

Please read this user manual first!

Dear Customers,

Thank you for selecting a Beko product. We hope that you get the best results from your product which has been manufactured with high quality and state-of-the-art technology. Therefore, please read this entire user manual and all other accompanying documents carefully before using the product and keep it as a reference for future use. If you handover the product to someone else, give the user manual as well. Follow all warnings and information in the user manual.

1. On/Off button
2. Dust container
3. Suction nozzle
4. Hose cap
5. Hose
6. Dust container removal button
7. Power cable winding button
8. Suction power adjustment knob
9. Parquet/carpet brush parking hook
10. Brush adjustment latch
11. High performance parquet/carpet brush
12. Telescopic tube adjustment latch
13. Telescopic tube
14. Vacuum control
15. Handle
16. Upholstery tool
17. Dust brush
18. Crevice tool

Meanings of the symbols

Following symbols are used in the various section of this manual:



Important information and useful hints about usage.



WARNING: Warnings against dangerous situations concerning the security of life and property.



Protection class for electric shock.

Technical data

Supply voltage : 220-240 V~, 50/60 Hz

Power : 1550 W Nom
: 1800 W Max

Cable length : 7 m

Technical and design modification rights are reserved.

The values which are declared in the markings affixed on your appliance or other printed documents supplied with it represent the values which were obtained in the laboratories pursuant to the pertinent standards. These values may vary according to the usage of the appliance and ambient conditions.



This product has been manufactured in environmental friendly modern plants without giving any harm to the nature.

It does not contain PCB.

1 Important safety and environmental instructions

This section contains safety instructions that will help protect from risk of personal injury or property damage.

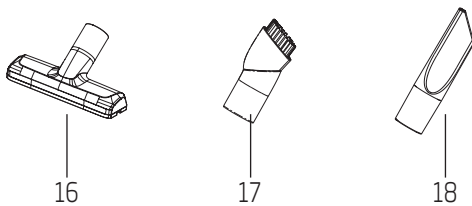
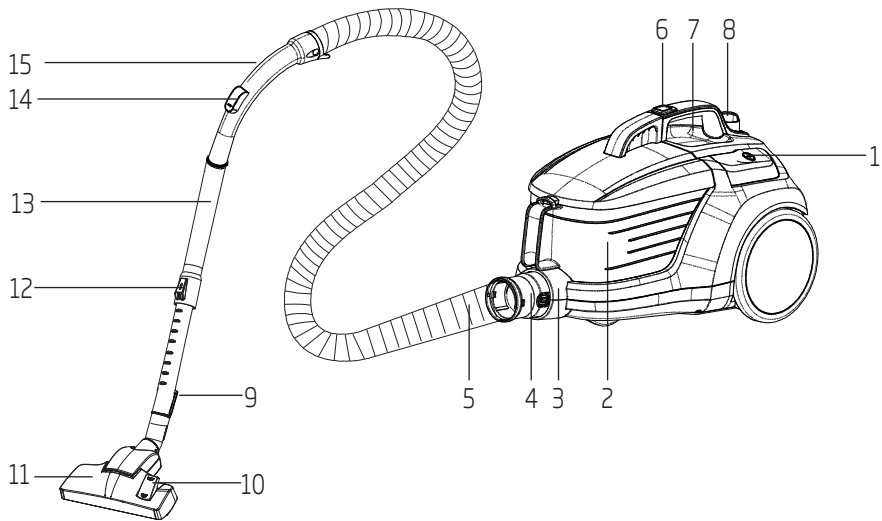
Failure to follow these instructions invalidates the granted warranty.

1.1 General safety

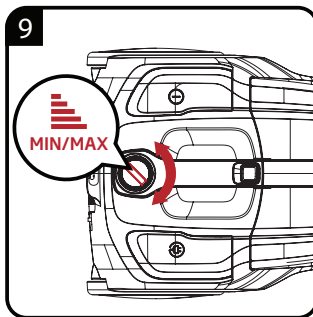
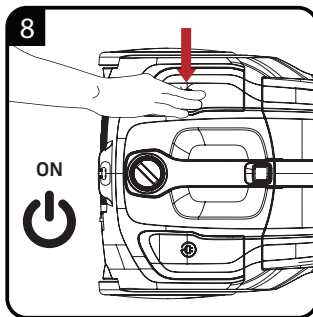
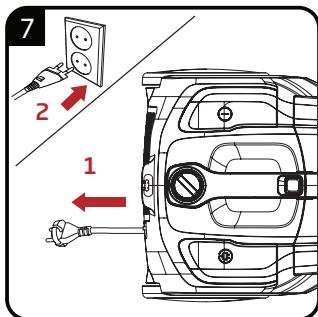
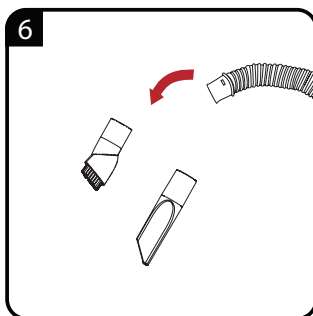
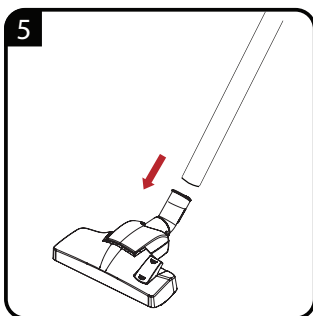
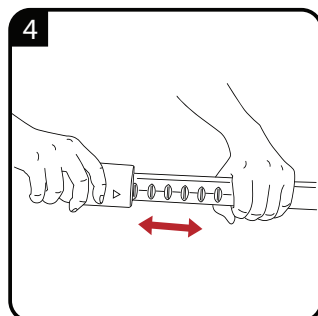
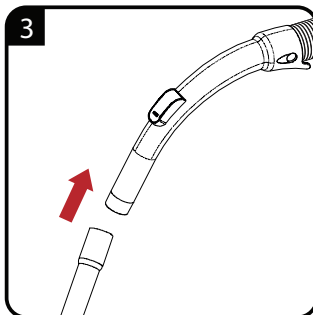
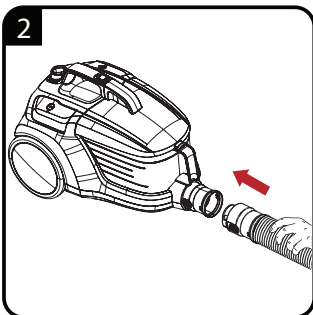
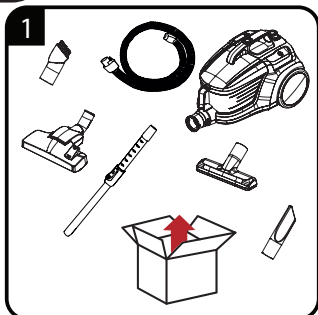
- This appliance complies with the international security standards.
- This appliance is intended to be used in household and similar applications such as:
 - Staff kitchen areas in shops, offices and other working environments;
 - Farm houses;
 - By clients in hotels, motels and other residential type environments;
 - Bed and Breakfast type environments
 - It is not fit for industrial use.
- This appliance can be used by children aged from 8 years and above and persons with reduced physical, sensory or mental capabilities or lack of experience and knowledge if they have been given supervision or instruction concerning use of the appliance in a safe way and understand the hazards involved. Children shall not play with the appliance. Cleaning and user maintenance shall not be made by children without supervision.
- Do not use it if the power cable or the appliance itself is damaged. Contact an authorized service.
- Your mains power supply should comply with the information supplied on the rating plate of the appliance.
- The mains supply of the appliance must be secured with a minimum 16 A fuse.
- Do not use the appliance with an extension cord.

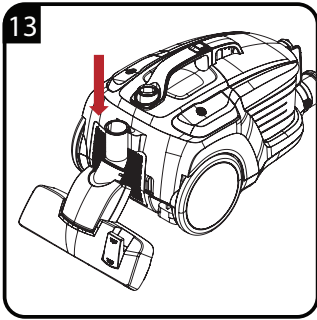
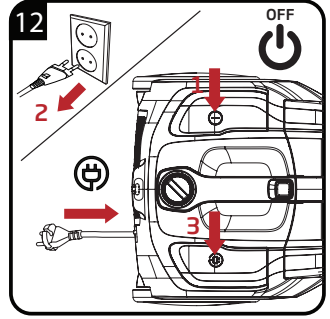
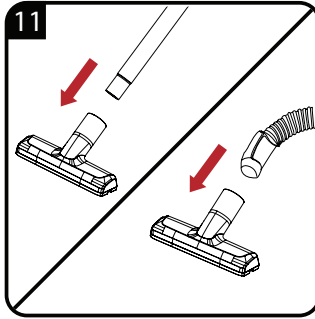
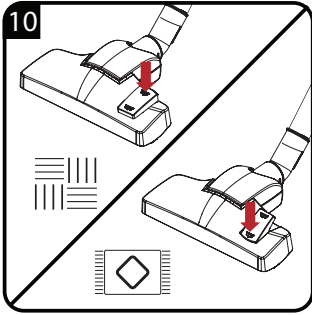
1 Important safety and environmental instructions

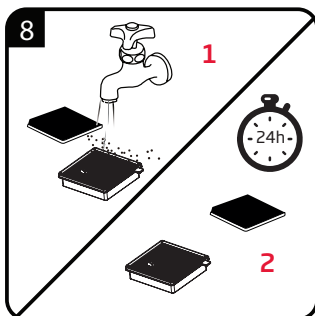
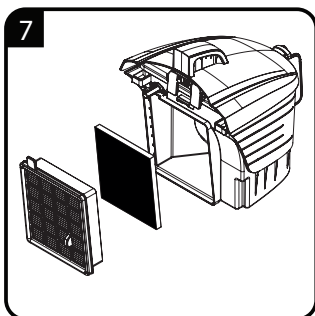
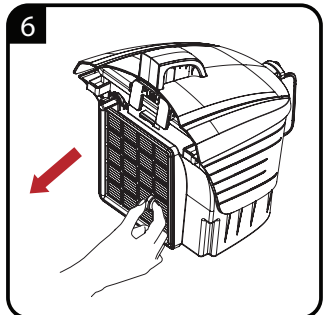
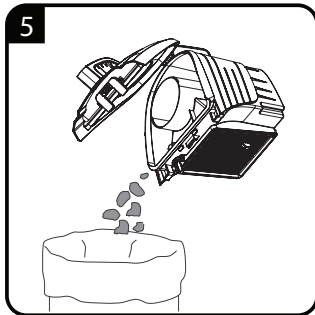
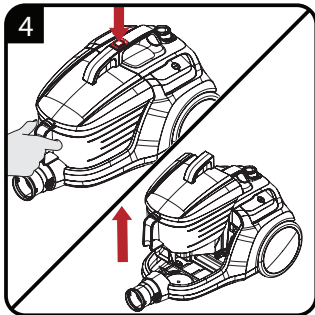
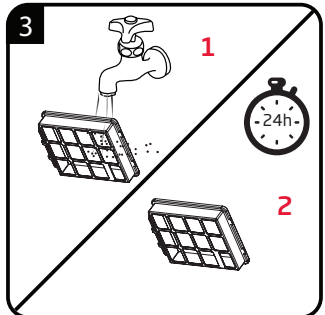
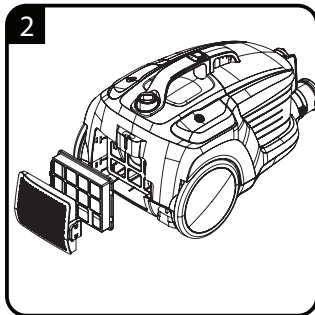
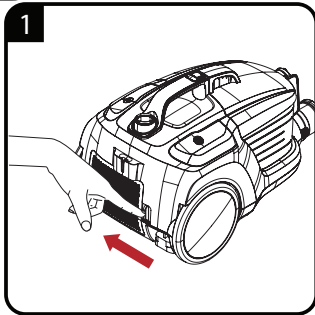
- In order to prevent the power cable from getting damaged, make sure that it doesn't get stuck, twisted or rub against sharp surfaces.
- Do not touch the appliance or its plug when it is plugged if your hands are damp or wet.
- Do not pull the power cable when unplugging the appliance.
- Do not vacuum flammable materials and when vacuuming cigarette ashes make sure that it got cold.
- Do not vacuum water or other liquid materials.
- Protect the appliance from rain, humidity and heat sources.
- Never use the appliance in or near to combustible or inflammable places and materials.
- Unplug the appliance before cleaning and maintenance.
- Do not dip the appliance or its cable in water to clean it.
- Check the hose of the appliance regularly. Do not use if it is damaged and contact an authorized service.
- Do not attempt to dismantle the appliance.
- Only use the original parts or parts recommended by the manufacturer.
- Do not use the appliance without filters; otherwise it can get damaged.
- When vacuuming the stairs, the appliance should be located below the user.
- If you store the package material, keep it out of the reach of children.



		
EN	OPERATION	CLEANING AND CARE







2 Information

2.1 Cleaning and care

Switch off and unplug the appliance before cleaning it.



WARNING: Never use gasoline, solvent, abrasive cleaning agents, metal objects or hard brushes to clean the appliance.



WARNING: Do not use appliances producing hot air such as hair dryer or heater to dry the filters.



WARNING: Do not install the filters without completely drying them; otherwise, smell of moisture may occur during use, water can leak from the back of the appliance or the filters may get damaged.



WARNING: Attach the filters into their places after they are dried.



Blue status led of the suction power adjustment knob turns into red when suction power decreases or the container is full.



SmartSense

Suction power adjustment knob turns into red when the container is full.

2.2 Storage

- If you do not intend to use the appliance for a long time, store it carefully.
- Unplug the appliance.
- Keep the appliance out of the reach of children.

2.3 Handling and transportation

- During handling and transportation, carry the appliance in its original packaging. The packaging of the appliance protects it against physical damages.
- Do not place heavy loads on the appliance or on the packaging. The appliance may get damaged.
- Dropping the appliance may render it non-operational or cause permanent damage.

2 Information

2.4 Compliance with the WEEE Directive and Disposing of the Waste Product

This product complies with EU WEEE Directive (2012/19/EU). This product bears a classification symbol for waste electrical and electronic equipment (WEEE).



This symbol indicates that this product shall not be disposed with other household wastes at the end of its service life. Used device must be returned to official collection point for recycling of electrical and electronic devices. To find these collection systems please contact to your local authorities or retailer where the product was purchased. Each household performs important role in recovering and recycling of old appliance. Appropriate disposal of used appliance helps prevent potential negative consequences for the environment and human health.

2.5 Compliance with RoHS Directive

The product you have purchased complies with EU RoHS Directive (2011/65/EU). It does not contain harmful and prohibited materials specified in the Directive.

2.6 Package information



Packaging materials of the product are manufactured from recyclable materials in accordance with our National Environment Regulations. Do not dispose of the packaging materials together with the domestic or other wastes. Take them to the packaging material collection points designated by the local authorities.



55 Blanck Street, Ormeau Q 4208
P O Box 354, Ormeau Q 4208
p : 5549 3146 f : 5549 3546
ABN : 49 152 055 162

ORIGINAL MANUFACTURER'S WARRANTY ADVICE FORM

BEKO SMALL DOMESTIC APPLIANCE

12 months warranty, full parts and labour warranty only.

WARRANTY CONDITIONS

The following conditions apply only in relations to the warranty expressly given on this Warranty Advice Form supplied with the product. This warranty only applies to appliances purchased and used in Australia or New Zealand and is in addition to (and does not exclude, restrict or modify in any way) other rights and remedies under a law to which the appliances relate, including any non-excludable statutory guarantees in Australia and New Zealand. It applies to the original purchaser and for appliances used in domestic applications only.

1. This warranty does not apply:
 - (a) if the identification number attached to the appliance has been altered, rendered illegible or removed;
 - (b) to light globes;
 - (c) to paint and vitreous enamel finishes and glass;
 - (d) to surfaces damaged by use of aerosols or cleaners;
 - (e) if the appliance has been –
 - (i) subject to misuse, abuse, negligence, accident, fire or floods;
 - (ii) connected or improper, inadequate or faulty electricity, gas, water or drainage services or intake or exhaust ducts or flues, or operated using incorrect or contaminated fuels or lubricants;
 - (iii) installed, maintained or operated otherwise than in accordance with the instructions furnished by Beko including the improper use of detergents, bleaches, cleaners or other additives;
 - (iv) damaged by foreign objects in the appliance;
 - (v) serviced, repaired or altered otherwise than by Beko authorised service agents of Beko, or using other than Beko approved replacement parts.
2. The purchaser shall be responsible for any expenses involved in making the appliances readily accessible for servicing, the purchaser shall be responsible for any costs of transporting the appliance or parts thereof to and from the nearest Beko authorised service agent.
3. This warranty is the only expressed warranty given by Beko.
4. Beko reserves the right to determine whether or not the fault is caused by faulty workmanship or material or that any part is defective.
5. Where permitted by law, this warranty shall not apply to loss suffered through or resulting from the non-operation or the ineffective operation of the appliance or any part of the appliance.
6. The purchaser must produce proof of the date of purchase together with this Warranty Advise Form when making a claim.
7. Subject to your statutory rights as to the merchantable quality of the product or accessory. In the event of a product or accessory being replaced during the guarantee, the guarantee on the replacement will expire at the original date, i.e., 12 months from the original purchase date.
8. Australia: For Appliances and services provided by Beko in Australia, Beko goods come with a guarantee by Beko that cannot be excluded under the Australian Consumer Law. You are entitled to a replacement or refund for a major failure and for compensation for any other reasonably foreseeable loss or damage. You are also entitled to have the Appliance repaired or replaced if the Appliance fails to be of acceptable quality and the failure does not amount to a major failure. 'Acceptable quality' and 'major failure' have the same meaning as referred to in the Australian Consumer Law.
9. New Zealand: For Appliances and services provided by Beko in New Zealand, the Appliances come with a guarantee by Beko pursuant to the provisions of the Consumer Guarantees Act, the Sales of Goods Act and the Fair Trading Act. Where the Appliance was purchased in New Zealand for commercial purposes the Consumer Guarantee Act does not apply.

These Warranty Conditions supersedes and excludes all other representations, conditions and warranties, except those implied by legislation previously referred to.

For Service or Spare Parts: Aust 1300 282 356 NZ 0800 692 356

Beko A&NZ Pty Ltd 55 Blanck Street,
Ormeau QLD, 4208 AUSTRALIA

www.beko.com.au

Ph: 1300 282 356