

Cordless Stick Vacuum Cleaner

User Manual



VRT 82821 BV

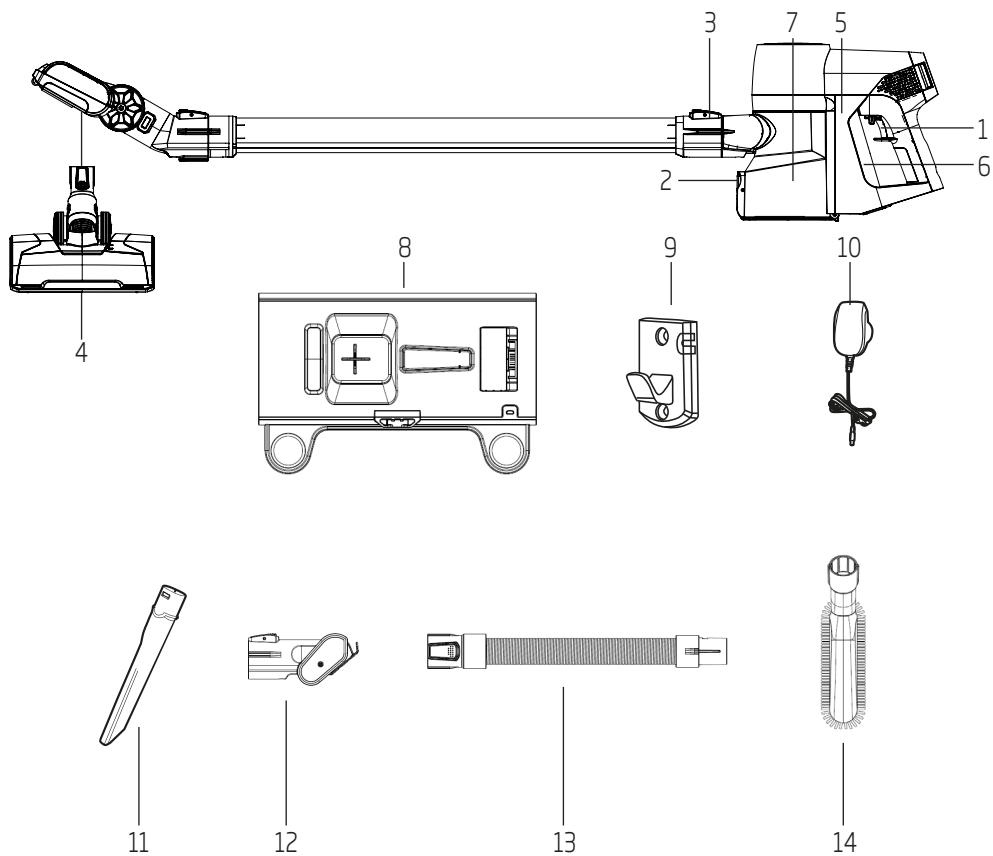
EN

01M-8816003200-2819-01

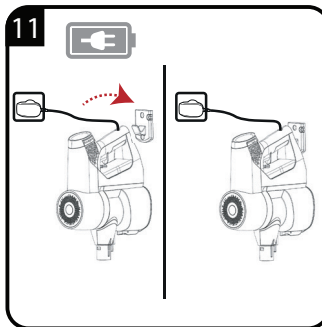
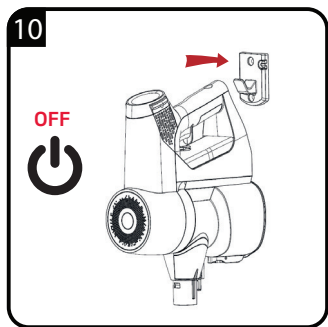
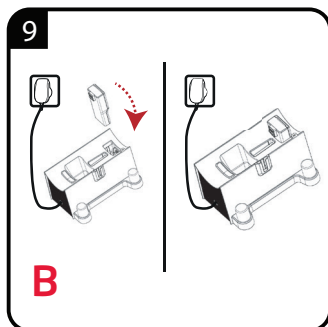
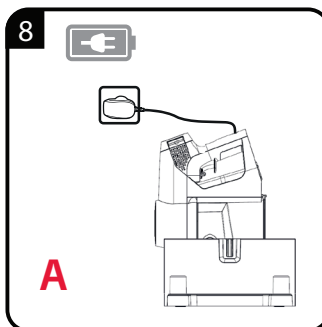
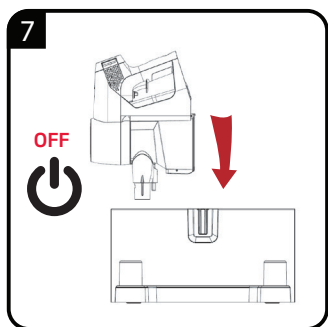
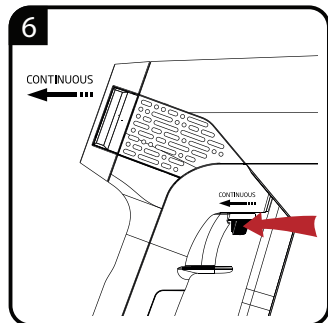
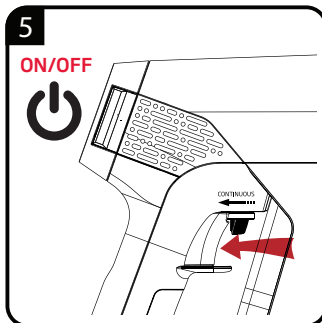
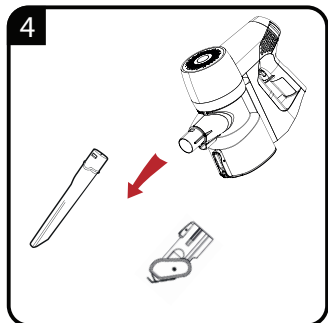
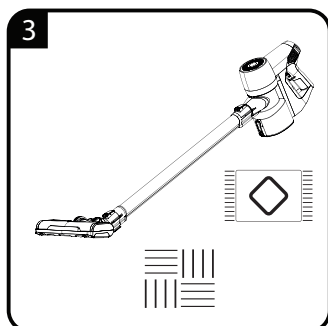
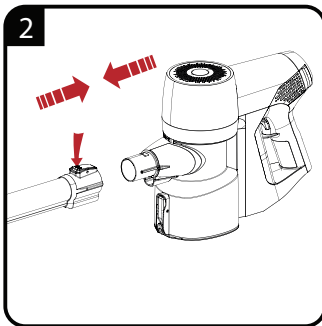
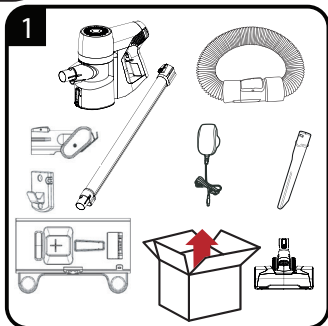
beko

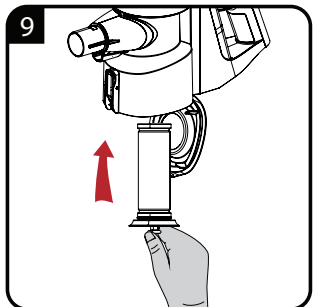
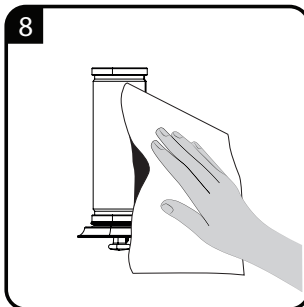
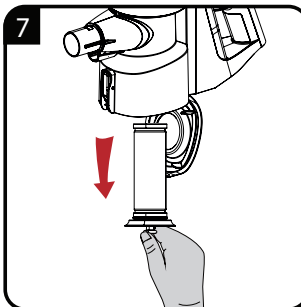
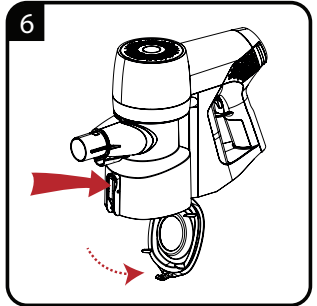
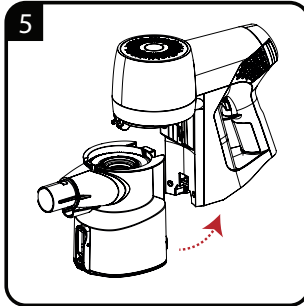
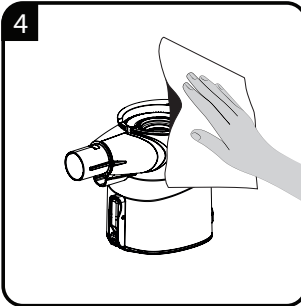
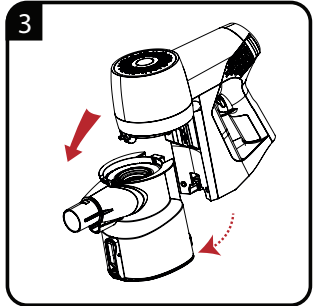
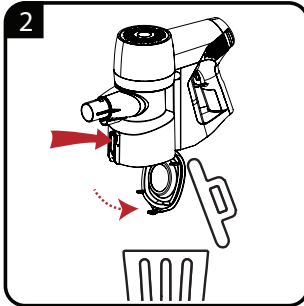
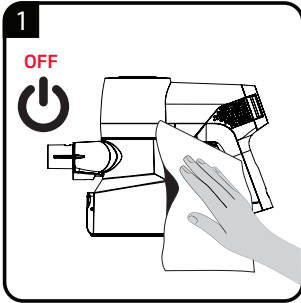
CONTENTS

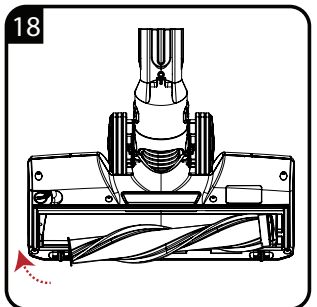
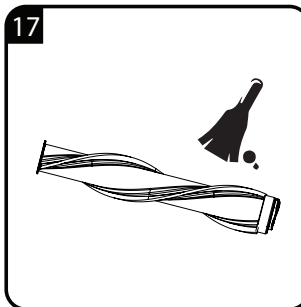
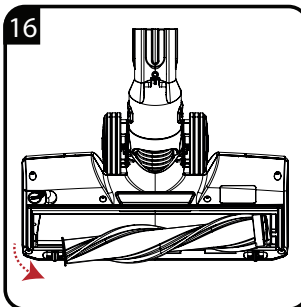
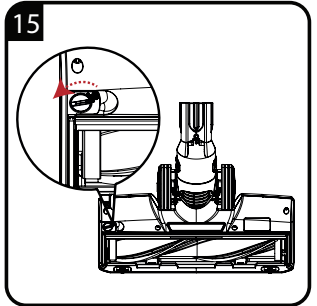
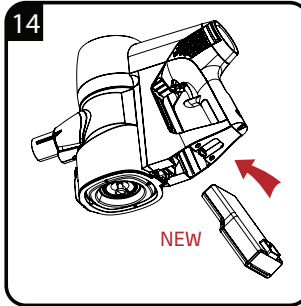
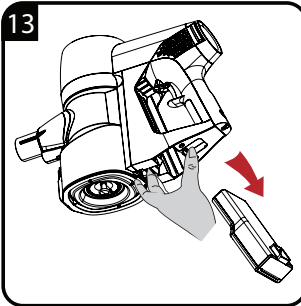
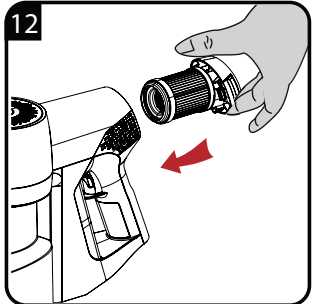
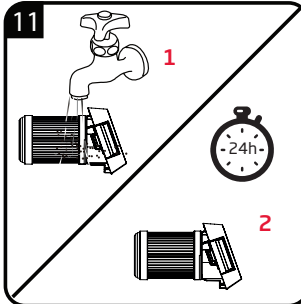
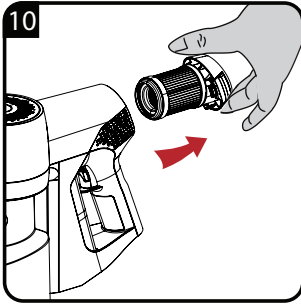
Technical data	7
1 Important safety and environmental instructions	8
1.1 General safety	8
2 Part assembling	11
2.1 Flexible hose (13)	11
2.2 Crevice (11) and dust brush (14).....	11
2.3 Mini turbo brush (12)	11
3 Use	12
3.1 Charging Indicator	12
3.2 Charging dock (8).....	12
4 Information	12
4.1 Cleaning and care.....	12
4.2 Hepa filter	12
4.3 Compliance with the WEEE Directive and disposal of the waste product	13
4.4 Compliance with RoHS Directive	13
4.5 Package information	13
4.6 Information on waste batteries.....	13
4.7 Storage	13
4.8 Handling and transportation	13



		
EN	OPERATION	CLEANING AND CARE







Please read this manual first!

Dear Customer,

Thank you for selecting a Beko product. We hope that you get the best results from your appliance which has been manufactured with high quality and state-of-the-art technology. For this reason, please read this user manual and all other provided documents carefully before using the appliance and keep it as a reference for future use. If you hand over the appliance to someone else, give the user manual as well.

1. On/off button
2. Dust cup release button
3. Metal tube release button
4. Electrical turbo brush
5. Machine body
6. Battery pack
7. Dust cup
8. Charging dock
9. Wall hook
10. Power supply plug
11. Crevice
12. Mini turbo brush
13. Flexible hose
14. Dust brush

Technical data

Rated input power : 180W

Input :
100 - 240 V~ 50/60Hz 0.8 A (max)



This appliance has been produced in environmentally-friendly, state-of-the-art facilities.

Follow the instructions by paying attention to all the information and warnings in the user manual.

Meanings of the symbols

Following symbols are used in various sections of this manual:



Important information and useful advices regarding the usage.



WARNING: Warnings for dangerous situations concerning the safety of life and property.



Protection class for electric shock.

Output : 26.0V  0.6A

Charging time : 3-4 hours

Running time max. power:

12 min. per battery

Running time min. power to up to:

40 min. per battery

Technical and design modifications reserved.

The values which are declared in the markings affixed on your appliance or the other printed documents supplied with it represent the values which were obtained in the laboratories pursuant to the pertinent standards. These values may vary according to the usage of the appliance and ambient conditions.



This product does not contain PCB'S.

1 Important safety and environmental instructions

This section contains safety instructions that will help protect from risk of personal injury or property damage.

Failure to follow these instructions invalidates the granted warranty.

1.1 General safety

- This appliance complies with international safety standards.
- This appliance is intended to be used in household and similar applications such as:
 - Staff kitchen areas in shops, offices and other working environments;
 - Farm houses;
 - By clients in hotels, motels and other residential type environments;
 - Bed and Breakfast type environments
 - It is not fit for industrial use.
- This appliance can be used by children aged from 8 years and above and persons with reduced physical, sensory or mental capabilities or lack of experience and knowledge if they have been given supervision or instruction concerning use of the appliance in a safe way and understand the hazards involved. Children shall not play with the appliance. Cleaning and user maintenance shall not be made by children without supervision.
- If the adapter or the appliance itself is damaged, do not use it. Contact an authorised service.
- Your mains power supply should comply with the information supplied on the rating plate of the appliance.
- Do not use the appliance with an extension cable.
- Prevent damage to the power cable by not squeezing, bending, or rubbing it on sharp edges.
- Do not touch the appliance or its plug when it is plugged if your hands are damp or wet.
- Do not pull the power cable when unplugging the appliance.

1 Important safety and environmental instructions

- Do not vacuum flammable materials and when vacuuming cigarette ash, make sure that it has cooled down.
- Do not vacuum water or other liquids.
- Protect the appliance from rain, humidity and heat sources.
- Never use the appliance in or near places where combustible or inflammable ambience or places are present.
- Unplug the appliance before cleaning and maintenance.
- Do not immerse the appliance or its power cable in water for cleaning.
- Do not attempt to dismantle the appliance.
- Use the original parts or parts recommended by the manufacturer only.
- Do not clean the particles such as cement, plaster and compressed paper in order to prevent the filter from being clogged and the motor being damaged.
- Use the appliance only with the adapter supplied with.
- Do not use the appliance without filters; otherwise it can get damaged.
- If you keep the packaging materials, store them out of the reach of children.
- This appliance is not intended for use by persons (including children) with reduced physical, sensory or mental capabilities, or lack of experience and knowledge, unless they have been given supervision or instruction concerning use of the appliance by a person responsible for their safety
- Children should be supervised to ensure that they do not play with the appliance
- The appliance is only to be used with the power supply unit provided with the appliance.
- The adapter must be removed from the socket-outlet and the battery pack must be removed from the appliance before cleaning or maintaining the appliance
- If the adapter is damaged, it must be replaced by the manufacturer or its agent or similarly qualified person in order to avoid hazard.
- Keep fingers, hair and loose clothing from moving parts and openings whilst using the vacuum cleaner.

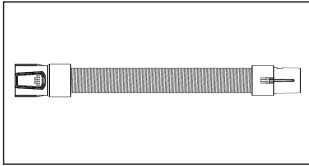
1 Important safety and environmental instructions

- The battery must be removed from the appliance before it is scrapped;
- The appliance must be disconnected from the supply mains when removing the battery;
- Please dispose of used batteries according to local laws and regulations.
- This appliance contains batteries that are only replaceable by skilled persons.
- **WARNING:** For the purposes of recharging the battery, only use the detachable supply unit YLS0241A-A260060 provided with this appliance.
- Please remove and insert the batteries according to UM.
- Rechargeable batteries are to be removed from the appliance before being charged;
- Different types of batteries or new and used batteries are not to be mixed.
- Batteries are to be inserted with the correct polarity.
- Exhausted batteries are to be removed from the appliance and safely disposed of.
- If the appliance is to be stored unused for a long period, the batteries should be removed.
- The supply terminals are not to be short-circuited.
- Only use with ZB1852 battery.

2 Part assembling

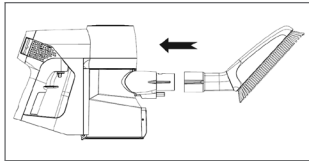
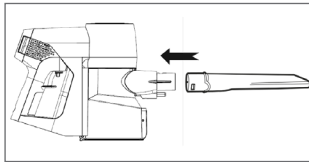
2.1 Flexible hose (13)

Flexible hose is an extension tool, one end is inserted into the suction port, the other end is connected with the accessory, which can clean corners or narrow spaces.



2.2 Crevice (11) and dust brush (14)

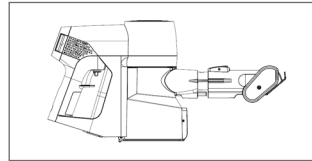
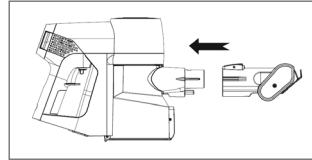
Push the round part of the accessory into the suction part until it clicks.



2.3 Mini turbo brush (12)

Push the end of the Mini-brush into the suction part until it clicks.

Remove it by pulling the buttons.



3 Use

3.1 Charging Indicator

Working	Charging	Fully charged	Lower power
Persistent light blue	Blinking light blue	Persistent light blue 2 minutes and then going out.	Blinking red light

3.2 Charging dock (8)

While charging the battery on the charging dock the charge indicator flashes blue.



- When you receive this product, please use the charger provided by our company to recharge the battery for 3 hours (no need to charge it full).
- Do not place the battery on the charging base for a very long time. If it is still charging beyond the normal charging time, stop it immediately. Otherwise, the battery may cause heating, deformation or burning hazard.
- When the battery is not in use for a long time, we recommend you fully charge the battery (usually 4.5 hours). The charging period should be every 3 months for the products not in use.

4 Information

4.1 Cleaning and care

Switch off and unplug the appliance ,before cleaning it.



WARNING: Never use gasoline, solvent, abrasive cleaning agents, metal objects or hard brushes to clean the appliance.



WARNING: Long-term no use, please keep the battery intact, stored in a cool dry place, and let the battery in the semi-state of charge. Not full or empty. Please enclose the battery with non-conductive material to avoid the metal touching the battery directly, causing the battery to be damaged.

4.2 Hepa filter

- In order to ensure the performance of the product, we recommend you clean regularly, and replace one after 3-6 months. (Depending on usage)

5 Information

4.3 Compliance with the WEEE Directive and disposal of the waste product



This product complies with EU WEEE Directive (2012/19/EU). This product bears a classification symbol for waste electrical and electronic equipment (WEEE).

This symbol indicates that this product shall not be disposed with other household wastes at the end of its service life. Used device must be returned to official collection point for recycling of electrical and electronic devices. To find these collection systems please contact to your local authorities or retailer where the product was purchased. Each household performs important role in recovering and recycling of old appliance. Appropriate disposal of used appliance helps prevent potential negative consequences for the environment and human health.

4.4 Compliance with RoHS Directive

The product you have purchased complies with EU RoHS Directive (2011/65/EU). It does not contain harmful and prohibited materials specified in the Directive.

4.5 Package information



Packaging materials of the product are manufactured from recyclable materials in accordance with our National Environment Regulations. Do

not dispose of the packaging materials together with the domestic or other wastes. Take them to the packaging material collection points designated by the local authorities.

4.6 Information on waste batteries



This symbol on rechargeable batteries/batteries or on the packaging indicates that the rechargeable battery/battery may not be disposed of with regular household rubbish. For certain rechargeable batteries/batteries, this symbol may be supplemented by a chemical symbol. Symbols for mercury (Hg) or lead (Pb) are provided if the rechargeable batteries/batteries

contain more than 0,0005 % mercury or more than 0,004 % lead.



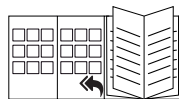
Rechargeable batteries/batteries, including those which do not contain heavy metal, may not be disposed of with household waste. Always dispose of used batteries in accordance with local environmental regulations. Make enquiries about the applicable disposal regulations where you live.

4.7 Storage

- If you do not intend to use the appliance for a long time, store it carefully.
- Pull the appliance's plug out.
- Keep the appliance out of the reach of children.

4.8 Handling and transportation

- During handling and transportation, carry the appliance in its original packaging. The packaging of the appliance protects it against physical damages.
- Do not place heavy loads on the appliance or on the packaging. The appliance may get damaged.
- Dropping the appliance may render it non-operational or cause permanent damage.



Please see the cover page of the user manual for initial use, general use and cleaning sections.



55 Blanck Street, Ormeau Q 4208
P O Box 354, Ormeau Q 4208
p : 5549 3146 f : 5549 3546
ABN : 49 152 055162

ORIGINAL MANUFACTURER'S WARRANTY ADVICE FORM

BEKO SMALL DOMESTIC APPLIANCE

12 months warranty, full parts and labour warranty only.

WARRANTY CONDITIONS

The following conditions apply only in relations to the warranty expressly given on this Warranty Advice Form supplied with the product. This warranty only applies to appliances purchased and used in Australia or New Zealand and is in addition to (and does not exclude, restrict or modify in any way) other rights and remedies under a law to which the appliances relate, including any non-excludable statutory guarantees in Australia and New Zealand. It applies to the original purchaser and for appliances used in domestic applications only.

1. This warranty does not apply:
 - (a) if the identification number attached to the appliance has been altered, rendered illegible or removed;
 - (b) to light globes;
 - (c) to paint and vitreous enamel finishes and glass;
 - (d) to surfaces damaged by use of aerosols or cleaners;
 - (e) if the appliance has been –
 - (i) subject to misuse, abuse, negligence, accident, fire or floods;
 - (ii) connected or improper, inadequate or faulty electricity, gas, water or drainage services or intake or exhaust ducts or flues, or operated using incorrect or contaminated fuels or lubricants;
 - (iii) installed, maintained or operated otherwise than in accordance with the instructions furnished by Beko including the improper use of detergents, bleaches, cleaners or other additives;
 - (iv) damaged by foreign objects in the appliance;
 - (v) serviced, repaired or altered otherwise than by Beko authorised service agents of Beko, or using other than Beko approved replacement parts.
2. The purchaser shall be responsible for any expenses involved in making the appliances readily accessible for servicing, the purchaser shall be responsible for any costs of transporting the appliance or parts thereof to and from the nearest Beko authorised service agent.
3. This warranty is the only expressed warranty given by Beko.
4. Beko reserves the right to determine whether or not the fault is caused by faulty workmanship or material or that any part is defective.
5. Where permitted by law, this warranty shall not apply to loss suffered through or resulting from the non-operation or the ineffective operation of the appliance or any part of the appliance.
6. The purchaser must produce proof of the date of purchase together with this Warranty Advice Form when making a claim.
7. Subject to your statutory rights as to the merchantable quality of the product or accessory. In the event of a product or accessory being replaced during the guarantee, the guarantee on the replacement will expire at the original date, i.e., 12 months from the original purchase date.
8. Australia: For Appliances and services provided by Beko in Australia, Beko goods come with a guarantee by Beko that cannot be excluded under the Australian Consumer Law. You are entitled to a replacement or refund for a major failure and for compensation for any other reasonably foreseeable loss or damage. You are also entitled to have the Appliance repaired or replaced if the Appliance fails to be of acceptable quality and the failure does not amount to a major failure. 'Acceptable quality' and 'major failure' have the same meaning as referred to in the Australian Consumer Law.
9. New Zealand: For Appliances and services provided by Beko in New Zealand, the Appliances come with a guarantee by Beko pursuant to the provisions of the Consumer Guarantees Act, the Sales of Goods Act and the Fair Trading Act. Where the Appliance was purchased in New Zealand for commercial purposes the Consumer Guarantee Act does not apply.

These Warranty Conditions supersedes and excludes all other representations, conditions and warranties, except those implied by legislation previously referred to.

For Service or Spare Parts: Aust 1300 282 356 NZ 0800 692 356

